




### Receiver Module : RWS-371-6 (433.92 MHZ)

<p>*Frequency Range: 433.92 MHZ          *Modulate Mode: ASK          *Circuit Shape: LC          *Data Rate: 4800 bps          *Selectivity: -106 dB          *Channel Spacing: 1MHZ          *Supply Voltage: 5V          * High Sensitivity Passive Design.          *Simple To Apply with Low External Count.</p>	
---	--

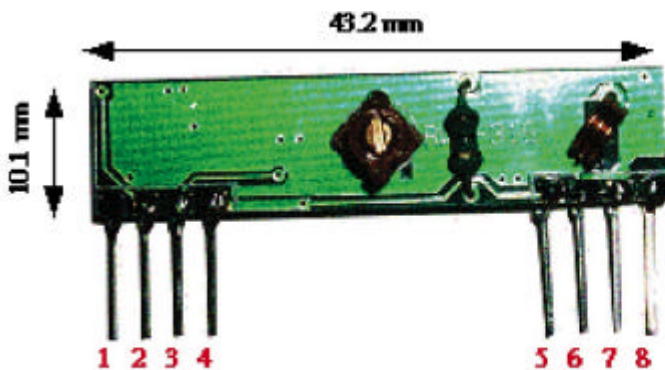
#### DC Characteristics :

Symbol	Parameter	Conditions	Min.	Typ.	Max.	Unit
Vcc	Operating Supply Voltage		4.9	5	5.1	
I Tot	Operating Supply Voltage			4.5		
V Data	Data Out	1 Data = +200 uA ( High )	Vcc -0.5	Vcc		V
		1 Data = -10 uA ( Low )			0.3	V

#### Electrical Characteristics :

Characteristics	Sym.	Min.	Typ.	Max.	Unit
Operating Radio Frequency	FC	433.72	433.92	434.12	MHZ
Sensitivity	Pref.			-106	dBm
Channel Width		-500		+ 500	KHZ
Noise Equivalent BW	NEB		5	4	KHZ
Baseboard Data Rate				3	KB/S
Receiver Turn On Time				3	ms

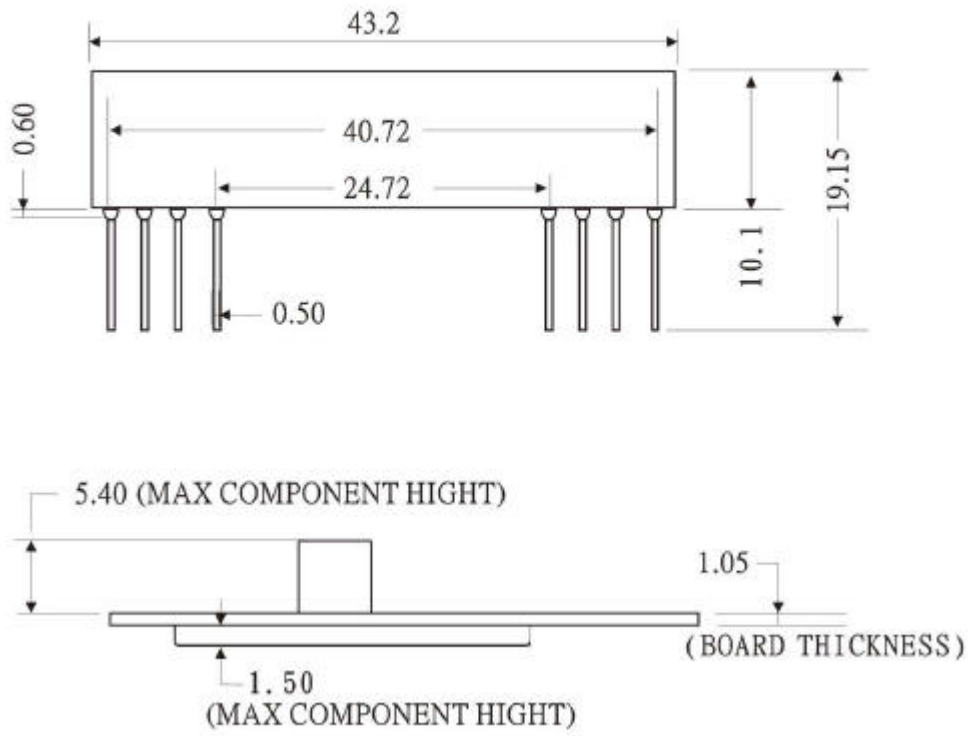
#### Application Note:



- pin 1 : Gnd
- pin 2 : Digitak Output
- pin 3 : Linear Output
- pin 4 : Vcc
- pin 5 : Vcc
- pin 6 : Gnd
- pin 7 : Gnd
- pin 8 :ANT ( About 30 - 35 cm )

Modulation : AM  
 Supply Voltage : 5v dc

RWS-371 UNIT:mm



# 示範電路圖

