

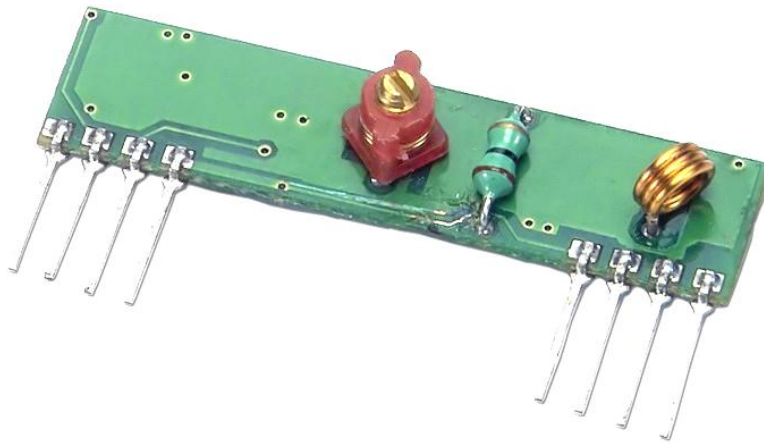
WENSHING®

**RWS-371** RF MODULE Series

---

**Wireless Hi Sensitivity Receiver Module (RF ASK)**

---



www.DataSheet4U.com

**Version History**

Version	Date	Changes
V1.01	Feb. 1, 2004	1 <sup>st</sup> . Edition
V1.02	Jul. 2, 2008	2 <sup>nd</sup> . Edition
V1.03	Dec. 28, 2008	3 <sup>rd</sup> . Edition

**Model: RWS-371-5**

- Frequency Range: 418MHz
- Modulate Mode: ASK
- Circuit Shape: LC
- Data Rate: 4800 bps
- Selectivity: -108 dBm
- Channel Spacing:  $\pm 500$ KHz
- Supply Voltage: 5V
- High sensitivity passive design
- Simple to apply with low external count

**Electrical Characteristic**

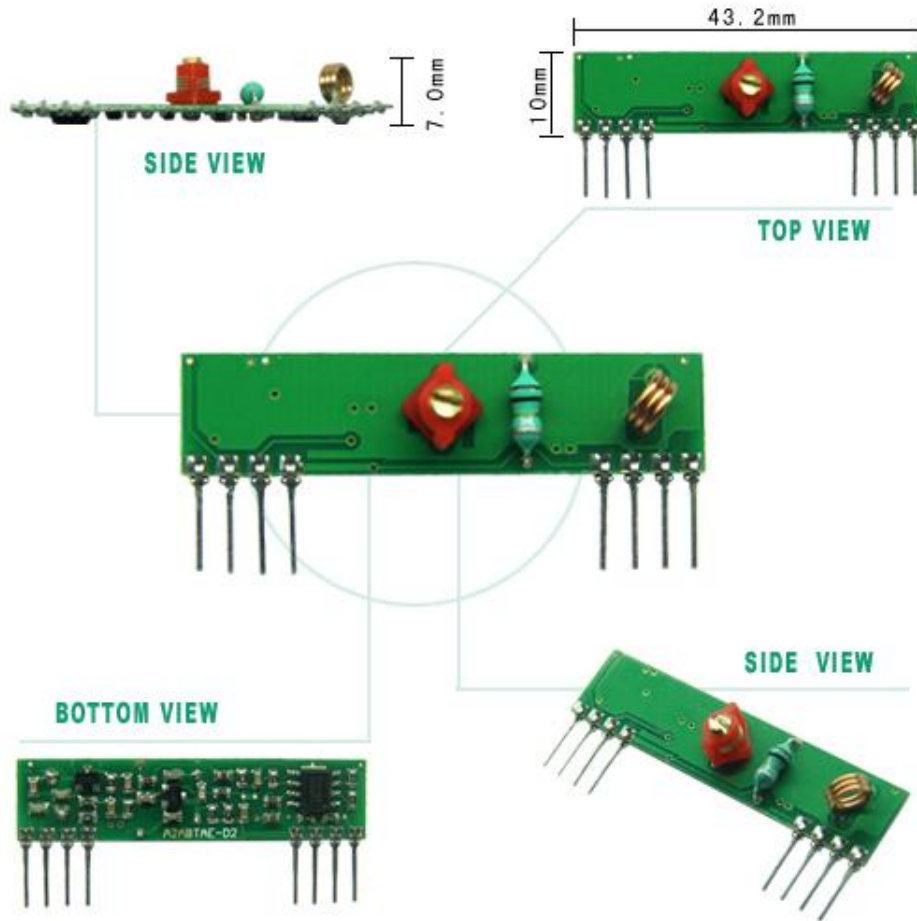
Characteristic	Sym	Min	Type	Max	Unit
Operating Radio Frequency	FC	417.500	418.000	418.500	MHz
Sensitivity	Pref.	-106	-108	-110	dBm
Channel Width		-500		+ 500	KHz
Noise Equivalent BW	NEB		5	4	
Baseboard Data Rate				3	KB/S
Receiver Turn On Time				3	ms

www.DataSheet4U.com

**DC Characteristic**

Symbol	Parameter	Condition	Min	Type	Max	Unit
Vcc	Operating Supply Voltage		4.9	5	5.1	
I Tot	Operating Supply Voltage			4.5		
V Data	Data Out	1 Data = +200uA ( High )	Vcc -0.5	Vcc		V
		1 Data = -10uA ( Low )			0.3	V

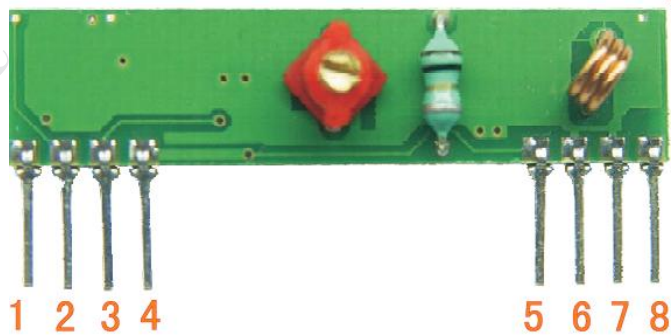
**Size**



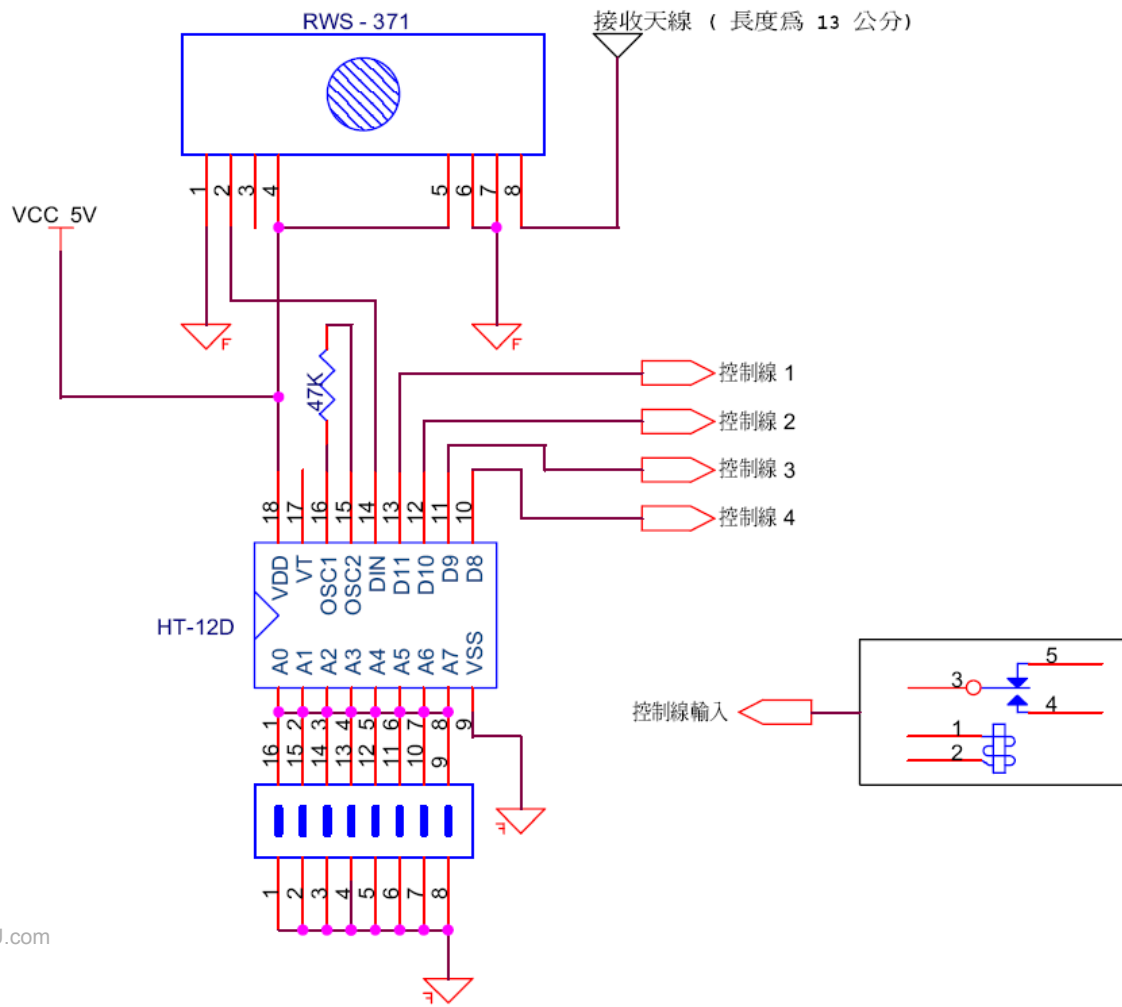
www.DataSheet4U.com

**Pin Assignment**

Pin	Function
1	GND
2	Digital Output
3	Linear Out
4	VCC
5	VCC
6	GND
7	GND
8	ANT(About 13cm)



### Demo Circuit



www.DataSheet4U.com

WEI  
Do Not