
Wireless Narrow Band Receiver Module (RF ASK)

**Version History**

Version	Date	Changes
V1.01	Apr.13, 2004	1 st . Edition
V1.02	Jul.5,2008	2 nd . Edition

Model : RWS-530-1

- Frequency Range: 315MHz
- Modulate Mode: ASK
- Circuit Shape: SAW
- Data Rate: 4800 bps
- Sensitivity: -108dBm
- Channel Spacing: ± 300 KHz
- Supply Voltage: 4.5~5.5V
- High Sensitivity Passive Design.
- Simple To Apply with Low External Count.

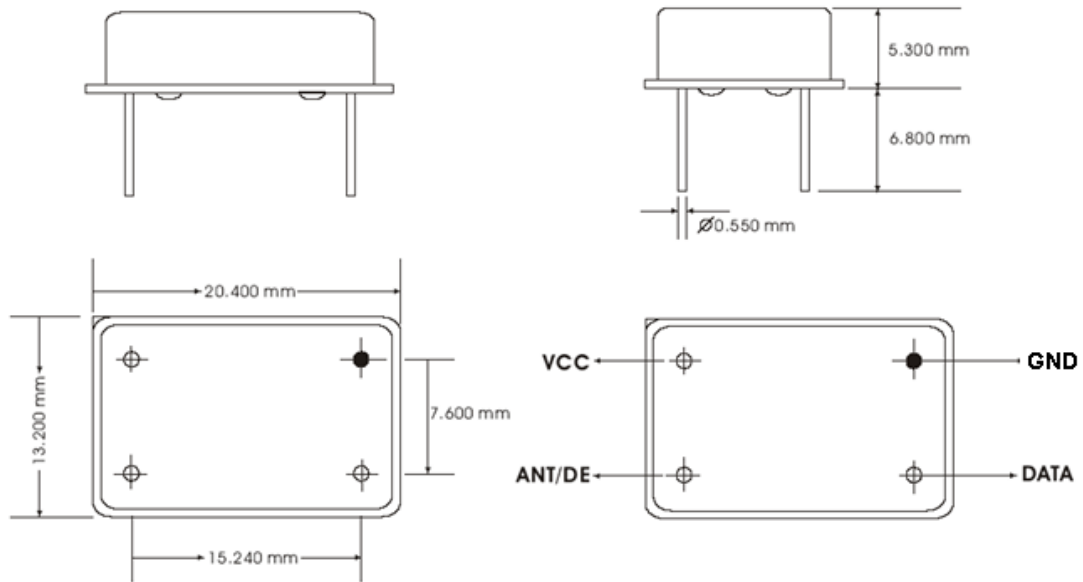
DC Characteristic

Symbol	Parameter	Condition	Min	Type	Max	Unit
Vcc	Operating Supply Voltage	MIN4.5 MAX5.5	4.5		5.5	
I Tot	Operating Supply Voltage		4.5			
V Data	Data Out	1 Data=+200 Ua (Low)	Vcc -0.5		Vcc	V
		1 Data= -10uA (Low)			0.3	V

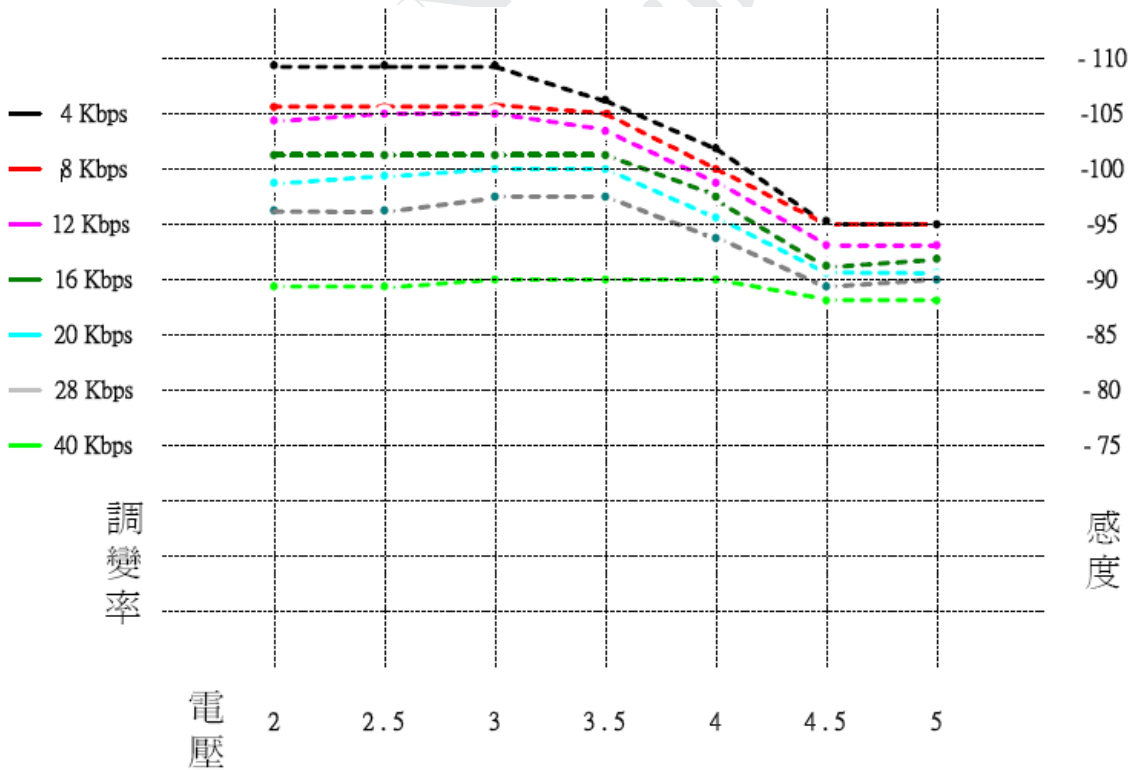
Electrical Characteristic

Characteristic	Sym	Min	Type	Max	Unit
Operating Radio Frequency	FC	314.70	315.00	315.30	MHz
Sensitivity	Pref.	-106	-108	-112	dBm
Channel Width		-300		+ 300	KHz
Noise Equivalent BW	NEB	5		4	KHz
Baseboard Data Rate	BSP			8	Kbps
Receiver Turn On Time				3	ms

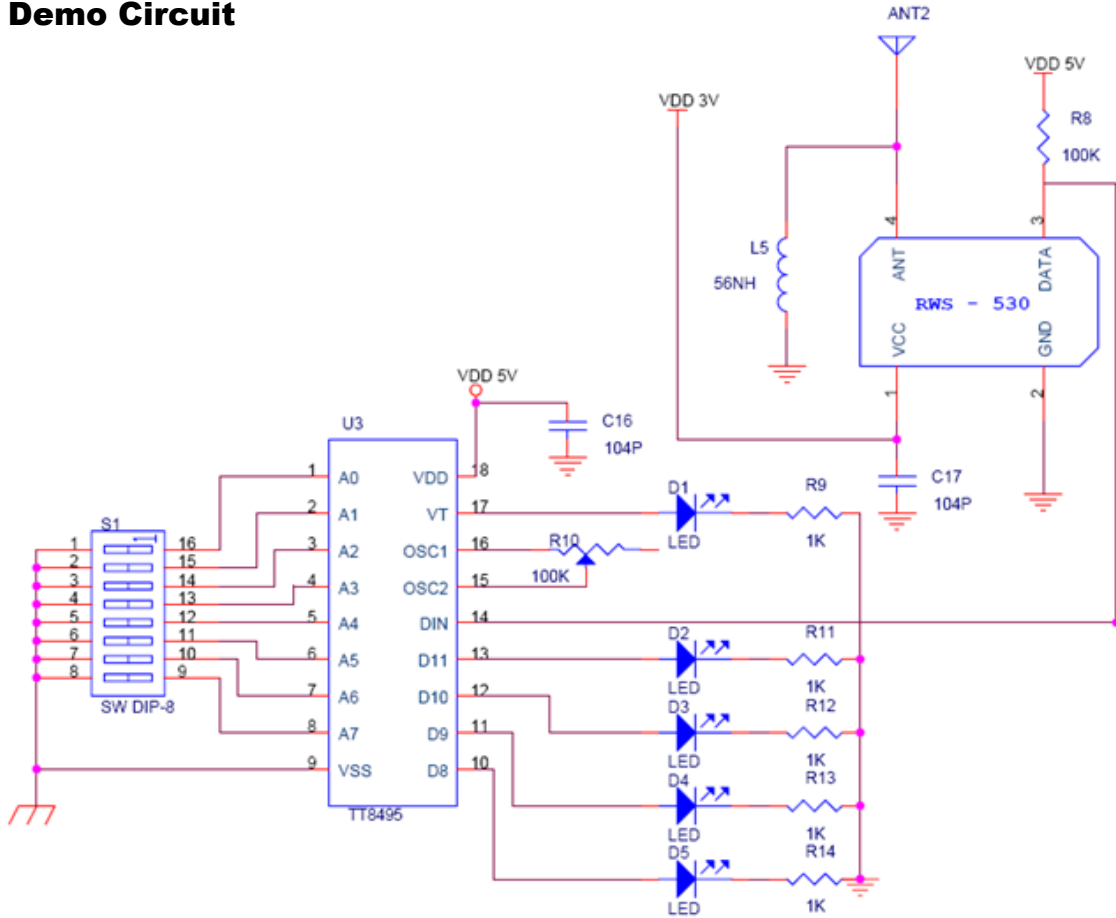
Size & Pin Assignment



Application Note



Demo Circuit



WENSHI
Do Not Distr