

## SUPER-LOW OUTPUT LOW DROPOUT CMOS VOLTAGE REGULATOR

## S-11L10 Series

S-11L10 Series, developed using the CMOS technology, is a positive voltage regulator IC which has the low output voltage, the high-accuracy output voltage and the low current consumption (150 mA output current).

A 1.0  $\mu$ F small ceramic capacitor can be used. It operates with low current consumption of 9  $\mu$ A typ.

The overcurrent protection circuit prevents the load current from exceeding the capacitance of output transistor. The power-off circuit ensures longer battery life.

Various capacitors, also small ceramic capacitors, can be used for this IC more than for the conventional regulator ICs which have CMOS technology.

Furthermore a small SOT-23-5 and SNT-6A(H) packages realize high-density mounting.

### ■ Features

- Low output voltage: 0.8 V to 3.3 V, selectable in 0.05 V step.
- Low input voltage: 1.2 V to 3.65 V
- Low equivalent series resistance capacitor : Ceramic capacitor of 1.0  $\mu$ F or more can be used as the I/O capacitor.
- High-accuracy output voltage:  $\pm 1.0\%$  (0.8 V to 1.45 V output product :  $\pm 15$  mV)
- Low dropout voltage: 210 mV typ. (products having the output of 1.5 V,  $I_{OUT} = 100$  mA)
- Low current consumption: During operation: 9.0  $\mu$ A typ., 16  $\mu$ A max.  
During power-off: 0.1  $\mu$ A typ., 0.9  $\mu$ A max.
- Output current: Possible to output 150 mA (at  $V_{IN} \geq V_{OUT(S)} + 1.0$  V)<sup>\*1</sup>
- Ripple rejection: 60 dB typ. (at 1.0 kHz,  $V_{OUT} = 1.25$  V)
- Built-in overcurrent protection circuit: limits overcurrent of output transistor
- Built-in power-off circuit: Ensures long battery life.
- Discharge shunt function
- Selectable constant current source pull-down
- Small package: SOT-23-5, SNT-6A(H)
- Lead-free product

\*1. Attention should be paid to the power dissipation of the package when the output current is large.

### ■ Applications

- Power supply for battery-powered devices
- Power supply for mobile phones
- Power supply for portable equipment

### ■ Package

Package Name	Drawing Code			
	Package	Tape	Reel	Land
SOT-23-5	MP005-A	MP005-A	MP005-A	—
SNT-6A(H)	PI006-A	PI006-A	PI006-A	PI006-A

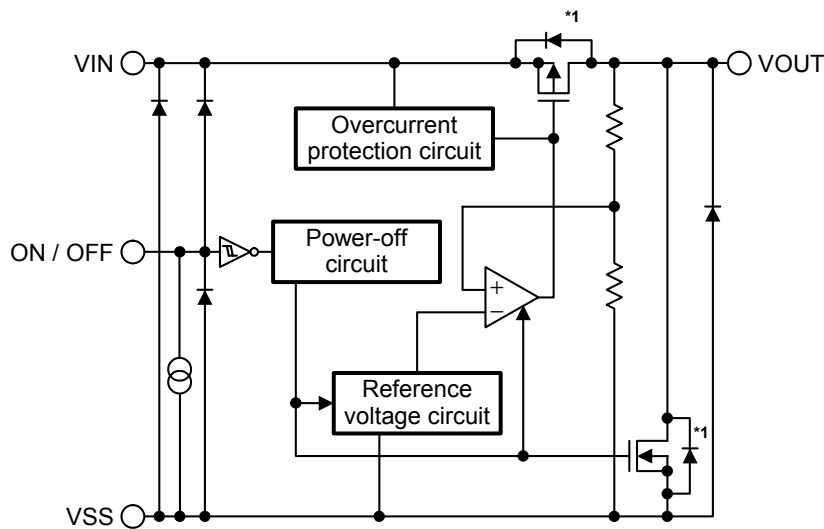
# SUPER-LOW OUTPUT VOLTAGE LOW DROPOUT CMOS VOLTAGE REGULATOR

## S-11L10 Series

Rev.1.0\_00

### ■ Block Diagrams

#### 1. S-11L10 Series B type

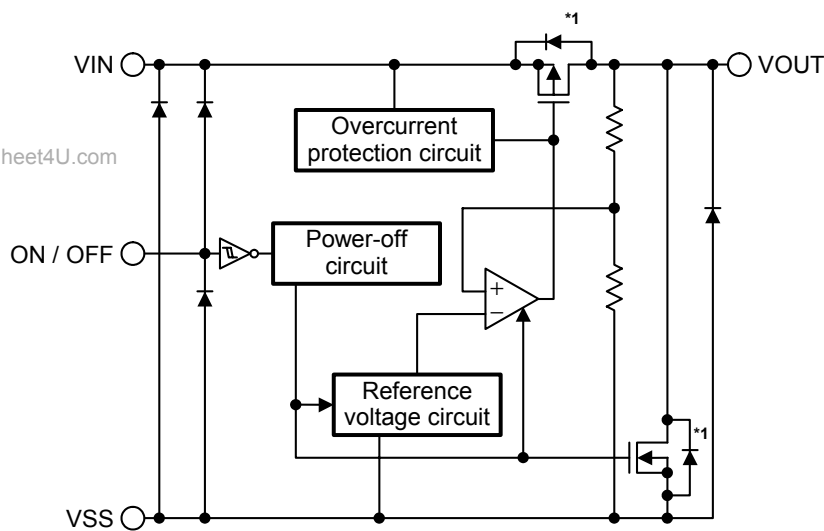


Function	Status
ON / OFF logic	Active "H"
Constant current source pull-down	Available

\*1. Parasitic diode

Figure 1

#### 2. S-11L10 Series D type



Function	Status
ON / OFF logic	Active "H"
Constant current source pull-down	None

\*1. Parasitic diode

Figure 2

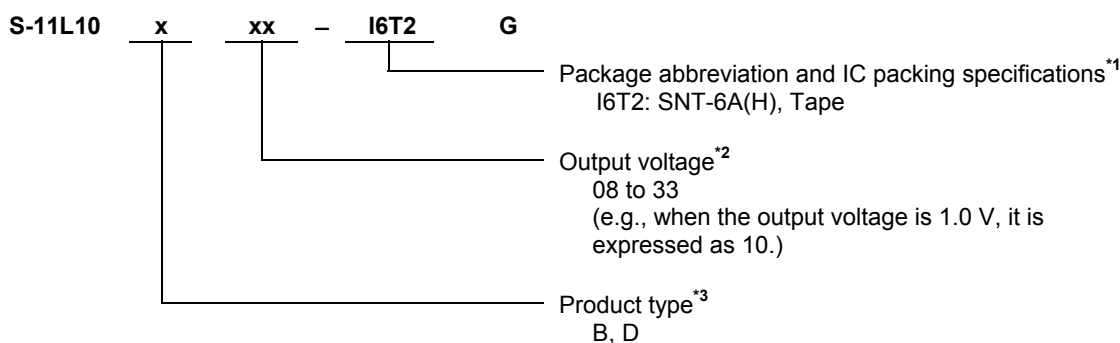
www.DataSheet4U.com

**SUPER-LOW OUTPUT VOLTAGE LOW DROPOUT CMOS VOLTAGE REGULATOR**

Rev.1.0\_00

**S-11L10 Series****■ Product Name Structure**

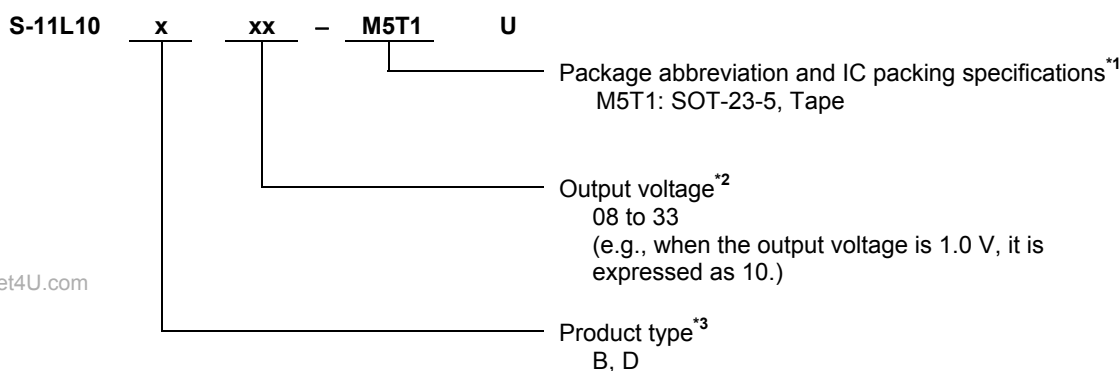
Users can select the product type, output voltage, and package type for the S-11L10 Series. Refer to “1. Product name” regarding the contents of product name, “2. Function list of product type” regarding the product type.

**1. Product name****(1) SNT-6A(H)**

\*1. Refer to the tape specifications.

\*2. If you request the product which has 0.05 V step, contact our sales office.

\*3. Refer to “2. Function list of product type”.

**(2) SOT-23-5**

\*1. Refer to the tape specifications.

\*2. If you request the product which has 0.05 V step, contact our sales office.

\*3. Refer to “2. Function list of product type”.

**2. Function list of product type****Table 1**

Product Type	ON / OFF Logic	Constant Current Source Pull-down
B	Active “H”	Available
D	Active “H”	None

# SUPER-LOW OUTPUT VOLTAGE LOW DROPOUT CMOS VOLTAGE REGULATOR

## S-11L10 Series

Rev.1.0\_00

### 3. Product name list

#### 3.1 S-11L10 Series B type

ON / OFF logic:                      Active "H"                      Constant current source pull-down:                      Available

**Table 2**

Output voltage	SOT-23-5	SNT-6A(H)
0.8 V $\pm$ 15 mV	S-11L10B08-M5T1U	S-11L10B08-I6T2G
0.9 V $\pm$ 15 mV	S-11L10B09-M5T1U	S-11L10B09-I6T2G
1.0 V $\pm$ 15 mV	S-11L10B10-M5T1U	S-11L10B10-I6T2G
1.1 V $\pm$ 15 mV	S-11L10B11-M5T1U	S-11L10B11-I6T2G
1.2 V $\pm$ 15 mV	S-11L10B12-M5T1U	S-11L10B12-I6T2G
1.3 V $\pm$ 15 mV	S-11L10B13-M5T1U	S-11L10B13-I6T2G
1.4 V $\pm$ 15 mV	S-11L10B14-M5T1U	S-11L10B14-I6T2G
1.5 V $\pm$ 1.0%	S-11L10B15-M5T1U	S-11L10B15-I6T2G
1.6 V $\pm$ 1.0%	S-11L10B16-M5T1U	S-11L10B16-I6T2G
1.7 V $\pm$ 1.0%	S-11L10B17-M5T1U	S-11L10B17-I6T2G
1.8 V $\pm$ 1.0%	S-11L10B18-M5T1U	S-11L10B18-I6T2G
1.9 V $\pm$ 1.0%	S-11L10B19-M5T1U	S-11L10B19-I6T2G
2.0 V $\pm$ 1.0%	S-11L10B20-M5T1U	S-11L10B20-I6T2G
2.1 V $\pm$ 1.0%	S-11L10B21-M5T1U	S-11L10B21-I6T2G
2.2 V $\pm$ 1.0%	S-11L10B22-M5T1U	S-11L10B22-I6T2G
2.3 V $\pm$ 1.0%	S-11L10B23-M5T1U	S-11L10B23-I6T2G
2.4 V $\pm$ 1.0%	S-11L10B24-M5T1U	S-11L10B24-I6T2G
2.5 V $\pm$ 1.0%	S-11L10B25-M5T1U	S-11L10B25-I6T2G
2.6 V $\pm$ 1.0%	S-11L10B26-M5T1U	S-11L10B26-I6T2G
2.7 V $\pm$ 1.0%	S-11L10B27-M5T1U	S-11L10B27-I6T2G
2.8 V $\pm$ 1.0%	S-11L10B28-M5T1U	S-11L10B28-I6T2G
2.9 V $\pm$ 1.0%	S-11L10B29-M5T1U	S-11L10B29-I6T2G
3.0 V $\pm$ 1.0%	S-11L10B30-M5T1U	S-11L10B30-I6T2G
3.1 V $\pm$ 1.0%	S-11L10B31-M5T1U	S-11L10B31-I6T2G
3.2 V $\pm$ 1.0%	S-11L10B32-M5T1U	S-11L10B32-I6T2G
3.3 V $\pm$ 1.0%	S-11L10B33-M5T1U	S-11L10B33-I6T2G

www.DataSheet4U.com

**Remark** Please contact our sales office for products with specifications other than the above.

# SUPER-LOW OUTPUT VOLTAGE LOW DROPOUT CMOS VOLTAGE REGULATOR

## S-11L10 Series

Rev.1.0\_00

### 3.2 S-11L10 Series D type

ON / OFF logic:                      Active "H"                      Constant current source pull-down:                      None

**Table 3**

Output voltage	SOT-23-5	SNT-6A(H)
0.8 V $\pm$ 15 mV	S-11L10D08-M5T1U	S-11L10D08-I6T2G
0.9 V $\pm$ 15 mV	S-11L10D09-M5T1U	S-11L10D09-I6T2G
1.0 V $\pm$ 15 mV	S-11L10D10-M5T1U	S-11L10D10-I6T2G
1.1 V $\pm$ 15 mV	S-11L10D11-M5T1U	S-11L10D11-I6T2G
1.2 V $\pm$ 15 mV	S-11L10D12-M5T1U	S-11L10D12-I6T2G
1.3 V $\pm$ 15 mV	S-11L10D13-M5T1U	S-11L10D13-I6T2G
1.4 V $\pm$ 15 mV	S-11L10D14-M5T1U	S-11L10D14-I6T2G
1.5 V $\pm$ 1.0%	S-11L10D15-M5T1U	S-11L10D15-I6T2G
1.6 V $\pm$ 1.0%	S-11L10D16-M5T1U	S-11L10D16-I6T2G
1.7 V $\pm$ 1.0%	S-11L10D17-M5T1U	S-11L10D17-I6T2G
1.8 V $\pm$ 1.0%	S-11L10D18-M5T1U	S-11L10D18-I6T2G
1.9 V $\pm$ 1.0%	S-11L10D19-M5T1U	S-11L10D19-I6T2G
2.0 V $\pm$ 1.0%	S-11L10D20-M5T1U	S-11L10D20-I6T2G
2.1 V $\pm$ 1.0%	S-11L10D21-M5T1U	S-11L10D21-I6T2G
2.2 V $\pm$ 1.0%	S-11L10D22-M5T1U	S-11L10D22-I6T2G
2.3 V $\pm$ 1.0%	S-11L10D23-M5T1U	S-11L10D23-I6T2G
2.4 V $\pm$ 1.0%	S-11L10D24-M5T1U	S-11L10D24-I6T2G
2.5 V $\pm$ 1.0%	S-11L10D25-M5T1U	S-11L10D25-I6T2G
2.6 V $\pm$ 1.0%	S-11L10D26-M5T1U	S-11L10D26-I6T2G
2.7 V $\pm$ 1.0%	S-11L10D27-M5T1U	S-11L10D27-I6T2G
2.8 V $\pm$ 1.0%	S-11L10D28-M5T1U	S-11L10D28-I6T2G
2.9 V $\pm$ 1.0%	S-11L10D29-M5T1U	S-11L10D29-I6T2G
3.0 V $\pm$ 1.0%	S-11L10D30-M5T1U	S-11L10D30-I6T2G
3.1 V $\pm$ 1.0%	S-11L10D31-M5T1U	S-11L10D31-I6T2G
3.2 V $\pm$ 1.0%	S-11L10D32-M5T1U	S-11L10D32-I6T2G
3.3 V $\pm$ 1.0%	S-11L10D33-M5T1U	S-11L10D33-I6T2G

www.DataSheet4U.com

**Remark** Please contact our sales office for products with specifications other than the above.

# SUPER-LOW OUTPUT VOLTAGE LOW DROPOUT CMOS VOLTAGE REGULATOR

## S-11L10 Series

Rev.1.0\_00

### ■ Pin Configuration

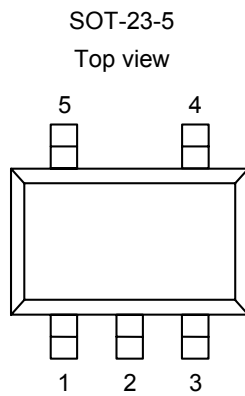


Figure 3

Table 4

Pin No.	Symbol	Description
1	VIN	Input voltage pin
2	VSS	GND pin
3	ON / OFF	ON / OFF pin
4	NC <sup>*1</sup>	No connection
5	VOUT	Output voltage pin

\*1. The NC pin is electrically open.  
The NC pin can be connected to VIN or VSS.

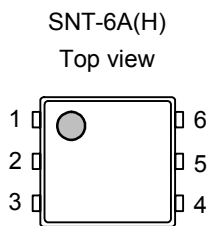


Figure 4

Table 5

Pin No.	Symbol	Description
1	VOUT	Output voltage pin
2	VSS	GND pin
3	NC <sup>*1</sup>	No connection
4	ON / OFF	ON / OFF pin
5	VSS	GND pin
6	VIN	Input voltage pin

\*1. The NC pin is electrically open.  
The NC pin can be connected to VIN or VSS.

**SUPER-LOW OUTPUT VOLTAGE LOW DROPOUT CMOS VOLTAGE REGULATOR**

Rev.1.0\_00

**S-11L10 Series****■ Absolute Maximum Ratings****Table 6**

(Ta = 25°C unless otherwise specified)

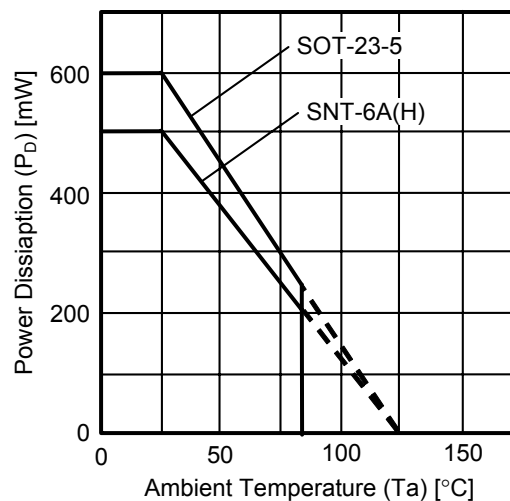
Item	Symbol	Absolute Maximum Rating	Unit
Input voltage	$V_{IN}$	$V_{SS} - 0.3$ to $V_{SS} + 4.0$	V
	$V_{ON/OFF}$	$V_{SS} - 0.3$ to $V_{IN} + 0.3$	V
Output voltage	$V_{OUT}$	$V_{SS} - 0.3$ to $V_{IN} + 0.3$	V
Power dissipation	SOT-23-5	$600^{*1}$	mW
	SNT-6A(H)	$500^{*1}$	mW
Operating ambient temperature	$T_{opr}$	-40 to +85	°C
Storage temperature	$T_{stg}$	-40 to +125	°C

\*1. When mounted on board

**[Mounted board]**

- (1) Board size : 114.3 mm × 76.2 mm × t1.6 mm  
 (2) Name : JEDEC STANDARD51-7

**Caution** The absolute maximum ratings are rated values exceeding which the product could suffer physical damage. These values must therefore not be exceeded under any conditions.

**Figure 5 Power Dissipation of Package**

# SUPER-LOW OUTPUT VOLTAGE LOW DROPOUT CMOS VOLTAGE REGULATOR

## S-11L10 Series

Rev.1.0\_00

### ■ Electrical Characteristics

Table 7 (1 / 2)

(Ta = 25°C unless otherwise specified)

Item	Symbol	Conditions	Min.	Typ.	Max.	Unit	Test Circuit	
Output voltage*1	V <sub>OUT(E)</sub>	V <sub>IN</sub> = V <sub>OUT(S)</sub> + 1.0 V, I <sub>OUT</sub> = 30 mA	0.8 V ≤ V <sub>OUT(S)</sub> < 1.5 V	V <sub>OUT(S)</sub> − 0.015	V <sub>OUT(S)</sub>	V <sub>OUT(S)</sub> + 0.015	V	1
			1.5 V ≤ V <sub>OUT(S)</sub> ≤ 2.65 V	V <sub>OUT(S)</sub> × 0.99	V <sub>OUT(S)</sub>	V <sub>OUT(S)</sub> × 1.01	V	1
		V <sub>IN</sub> = 3.65 V, I <sub>OUT</sub> = 30 mA	2.65 V < V <sub>OUT(S)</sub> ≤ 3.3 V	V <sub>OUT(S)</sub> × 0.99	V <sub>OUT(S)</sub>	V <sub>OUT(S)</sub> × 1.01	V	1
Output current*2	I <sub>OUT</sub>	V <sub>IN</sub> ≥ V <sub>OUT(S)</sub> + 1.0 V	0.8 V ≤ V <sub>OUT(S)</sub> ≤ 2.65 V	150*5	—	—	mA	3
		V <sub>IN</sub> = 3.65 V	2.65 V < V <sub>OUT(S)</sub> ≤ 3.3 V	150*5	—	—	mA	3
Dropout voltage*3	V <sub>drop</sub>	I <sub>OUT</sub> = 100 mA	0.8 V ≤ V <sub>OUT(S)</sub> < 1.1 V	0.40	0.44	0.48	V	1
			1.1 V ≤ V <sub>OUT(S)</sub> < 1.3 V	—	0.28	0.42	V	1
			1.3 V ≤ V <sub>OUT(S)</sub> < 1.5 V	—	0.24	0.36	V	1
			1.5 V ≤ V <sub>OUT(S)</sub> < 1.7 V	—	0.21	0.32	V	1
			1.7 V ≤ V <sub>OUT(S)</sub> ≤ 3.3 V	—	0.19	0.29	V	1
Line regulation	$\frac{\Delta V_{OUT1}}{\Delta V_{IN} \cdot V_{OUT}}$	V <sub>OUT(S)</sub> + 0.5 V ≤ V <sub>IN</sub> ≤ 3.65 V, I <sub>OUT</sub> = 30 mA	0.8 V ≤ V <sub>OUT(S)</sub> < 2.9 V	—	0.05	0.2	%/V	1
		3.4 V ≤ V <sub>IN</sub> ≤ 3.65 V, I <sub>OUT</sub> = 30 mA	2.9 V ≤ V <sub>OUT(S)</sub> ≤ 3.3 V	—	0.05	0.2	%/V	1
Load regulation	ΔV <sub>OUT2</sub>	V <sub>IN</sub> = V <sub>OUT(S)</sub> + 1.0 V, 10 μA ≤ I <sub>OUT</sub> ≤ 100 mA	0.8 V ≤ V <sub>OUT(S)</sub> ≤ 2.65 V	—	20	40	mV	1
		V <sub>IN</sub> = 3.65 V, 10 μA ≤ I <sub>OUT</sub> ≤ 100 mA	2.65 V < V <sub>OUT(S)</sub> ≤ 3.3 V	—	20	40	mV	1
Output voltage temperature coefficient*4	$\frac{\Delta V_{OUT}}{\Delta T_a \cdot V_{OUT}}$	V <sub>IN</sub> = V <sub>OUT(S)</sub> + 1.0 V, I <sub>OUT</sub> = 30 mA, −40°C ≤ Ta ≤ +85°C	0.8 V ≤ V <sub>OUT(S)</sub> ≤ 2.65 V	—	±150	—	ppm/°C	1
		V <sub>IN</sub> = 3.65 V, I <sub>OUT</sub> = 30 mA, −40°C ≤ Ta ≤ +85°C	2.65 V < V <sub>OUT(S)</sub> ≤ 3.3 V	—	±150	—	ppm/°C	1
Current consumption during operation	I <sub>SS1</sub>	V <sub>IN</sub> = V <sub>OUT(S)</sub> + 1.0 V, ON / OFF pin = ON, no load	0.8 V ≤ V <sub>OUT(S)</sub> ≤ 2.65 V	—	9	16	μA	2
		V <sub>IN</sub> = 3.65 V, ON / OFF pin = ON, no load	2.65 V < V <sub>OUT(S)</sub> ≤ 3.3 V	—	9	16	μA	2
Current consumption during power-off	I <sub>SS2</sub>	V <sub>IN</sub> = V <sub>OUT(S)</sub> + 1.0 V, ON / OFF pin = OFF, no load	0.8 V ≤ V <sub>OUT(S)</sub> ≤ 2.65 V	—	0.1	0.9	μA	2
		V <sub>IN</sub> = 3.65 V, ON / OFF pin = OFF, no load	2.65 V < V <sub>OUT(S)</sub> ≤ 3.3 V	—	0.1	0.9	μA	2



## SUPER-LOW OUTPUT VOLTAGE LOW DROPOUT CMOS VOLTAGE REGULATOR

Rev.1.0\_00

S-11L10 Series

Table 7 (2 / 2)

(Ta = 25°C unless otherwise specified)

Item	Symbol	Conditions	Min.	Typ.	Max.	Unit	Test Circuit	
Input voltage	V <sub>IN</sub>	—	1.2	—	3.65	V	—	
ON / OFF pin input voltage "H"	V <sub>SH</sub>	V <sub>IN</sub> = V <sub>OUT(S)</sub> + 1.0 V, R <sub>L</sub> = 1.0 kΩ, determined by V <sub>OUT</sub> output level	0.8 V ≤ V <sub>OUT(S)</sub> ≤ 2.65 V	0.9	—	—	V	4
		V <sub>IN</sub> = 3.65 V, R <sub>L</sub> = 1.0 kΩ, determined by V <sub>OUT</sub> output level	2.65 V < V <sub>OUT(S)</sub> ≤ 3.3 V	0.9	—	—	V	4
ON / OFF pin input voltage "L"	V <sub>SL</sub>	V <sub>IN</sub> = V <sub>OUT(S)</sub> + 1.0 V, R <sub>L</sub> = 1.0 kΩ, determined by V <sub>OUT</sub> output level	0.8 V ≤ V <sub>OUT(S)</sub> ≤ 2.65 V	—	—	0.2	V	4
		V <sub>IN</sub> = 3.65 V, R <sub>L</sub> = 1.0 kΩ, determined by V <sub>OUT</sub> output level	2.65 V < V <sub>OUT(S)</sub> ≤ 3.3 V	—	—	0.2	V	4
ON / OFF pin input current "H"	I <sub>SH</sub>	V <sub>IN</sub> = 3.65 V, V <sub>ON / OFF</sub> = 3.65 V	B type	0.05	—	0.55	μA	4
			D type	-0.1	—	0.1	μA	4
ON / OFF pin input current "L"	I <sub>SL</sub>	V <sub>IN</sub> = 3.65 V, V <sub>ON / OFF</sub> = 0 V	-0.1	—	0.1	μA	4	
Ripple rejection	RR	V <sub>IN</sub> = V <sub>OUT(S)</sub> + 1.0 V, f = 1.0 kHz, ΔV <sub>rip</sub> = 0.5 Vrms, I <sub>OUT</sub> = 30 mA	0.8 V ≤ V <sub>OUT(S)</sub> ≤ 1.25 V	—	60	—	dB	5
			1.25 V < V <sub>OUT(S)</sub> ≤ 2.65 V	—	55	—	dB	5
		V <sub>IN</sub> = 3.65 V, f = 1.0 kHz, ΔV <sub>rip</sub> = 0.5 Vrms, I <sub>OUT</sub> = 30 mA	2.65 V < V <sub>OUT(S)</sub> ≤ 3.3 V	—	55	—	dB	5
Short-circuit current	I <sub>short</sub>	V <sub>IN</sub> = V <sub>OUT(S)</sub> + 1.0 V, ON / OFF pin = ON, V <sub>OUT</sub> = 0 V	0.8 V ≤ V <sub>OUT(S)</sub> ≤ 2.65 V	—	150	—	mA	3
		V <sub>IN</sub> = 3.65 V, ON / OFF pin = ON, V <sub>OUT</sub> = 0 V	2.65 V < V <sub>OUT(S)</sub> ≤ 3.3 V	—	150	—	mA	3
"L" output Nch ON resistance	R <sub>LOW</sub>	V <sub>OUT</sub> = 0.1 V, V <sub>IN</sub> = 3.65 V	—	100	—	Ω	3	

\*1. V<sub>OUT(S)</sub>: Specified output voltageV<sub>OUT(E)</sub>: Actual output voltageOutput voltage when fixing I<sub>OUT</sub>(= 30 mA) and inputting V<sub>OUT(S)</sub> + 1.0 V or 3.65 V\*2. The output current at which the output voltage becomes 95% of V<sub>OUT(E)</sub> after gradually increasing the output current.\*3. V<sub>drop</sub> = V<sub>IN1</sub> - (V<sub>OUT3</sub> × 0.98)V<sub>OUT3</sub> is the output voltage when V<sub>IN</sub> = V<sub>OUT(S)</sub> + 1.0 V or 3.65 V and I<sub>OUT</sub> = 100 mA.V<sub>IN1</sub> is the input voltage at which the output voltage becomes 98% of V<sub>OUT3</sub> after gradually decreasing the input voltage.

\*4. The change in temperature [mV/°C] is calculated using the following equation.

$$\frac{\Delta V_{OUT}}{\Delta T_a} [\text{mV}/^\circ\text{C}]^{*1} = V_{OUT(S)} [\text{V}]^{*2} \times \frac{\Delta V_{OUT}}{\Delta T_a \cdot V_{OUT}} [\text{ppm}/^\circ\text{C}]^{*3} \div 1000$$

\*1. Change in temperature of the output voltage

\*2. Specified output voltage

\*3. Output voltage temperature coefficient

\*5. The output current can be at least this value.

Due to restrictions on the package power dissipation, this value may not be satisfied. Attention should be paid to the power dissipation of the package when the output current is large.

This specification is guaranteed by design.

# SUPER-LOW OUTPUT VOLTAGE LOW DROPOUT CMOS VOLTAGE REGULATOR

S-11L10 Series

Rev.1.0\_00

## ■ Test Circuits

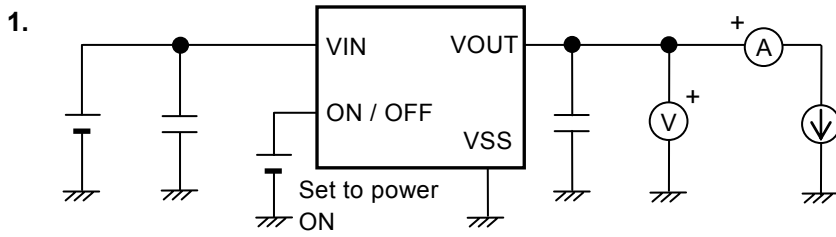


Figure 6

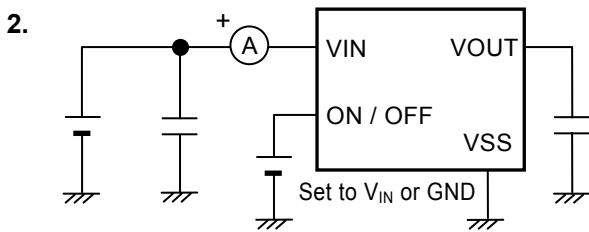


Figure 7

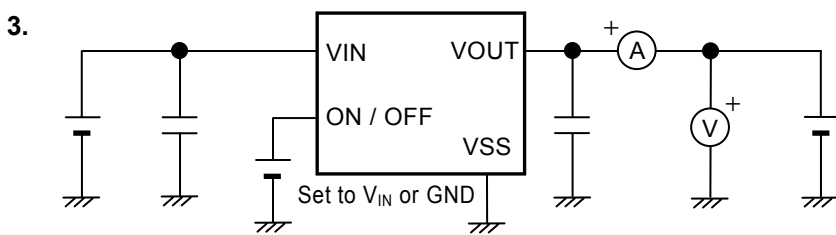


Figure 8

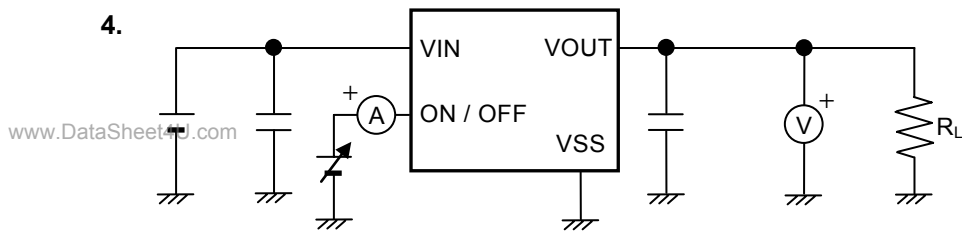


Figure 9

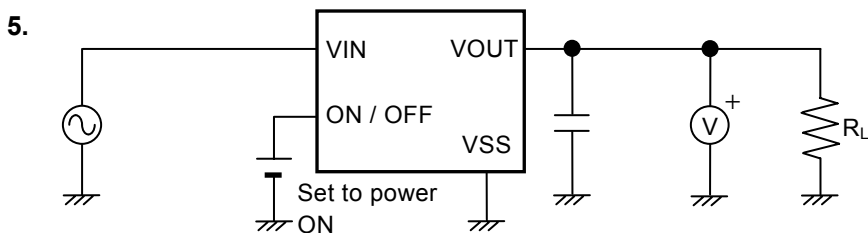
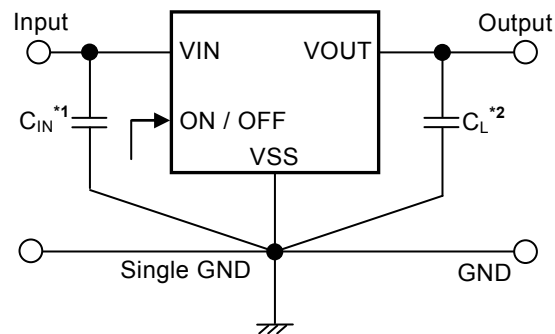


Figure 10

**SUPER-LOW OUTPUT VOLTAGE LOW DROPOUT CMOS VOLTAGE REGULATOR**

Rev.1.0\_00

**S-11L10 Series****■ Standard Circuit**

- \*1.  $C_{IN}$  is a capacitor for stabilizing the input.
- \*2. Ceramic capacitor of 1.0  $\mu\text{F}$  or more can be used as  $C_L$ .

**Figure 11**

**Caution** The above connection diagram and constant will not guarantee successful operation. Perform thorough evaluation using the actual application to set the constant.

**■ Condition of Application**

- Input capacitor ( $C_{IN}$ ) : 1.0  $\mu\text{F}$  or more
- Output capacitor ( $C_L$ ) : 1.0  $\mu\text{F}$  or more (ceramic capacitor)

**Caution** A general series regulator may oscillate, depending on the external components. Confirm that no oscillation occurs in the application for which the above capacitors are used.

**■ Selection of Input and Output Capacitors ( $C_{IN}$ ,  $C_L$ )**

www.DataSheet4U.com

The S-11L10 Series requires an output capacitor between the VOUT and VSS pin for phase compensation. Operation is stabilized by a ceramic capacitor with an output capacitance of 1.0  $\mu\text{F}$  or more over the entire temperature range. When using an OS capacitor, tantalum capacitor, or aluminum electrolytic capacitor, the capacitance must be 1.0  $\mu\text{F}$  or more.

The value of the output overshoot or undershoot transient response varies depending on the value of the output capacitor. The required capacitance of the input capacitor differs depending on the application.

The recommended capacitance for an application is  $C_{IN} \geq 1.0 \mu\text{F}$ ,  $C_L \geq 1.0 \mu\text{F}$ ; however, when selecting the output capacitor, perform sufficient evaluation, including evaluation of temperature characteristics, on the actual device.

# SUPER-LOW OUTPUT VOLTAGE LOW DROPOUT CMOS VOLTAGE REGULATOR

## S-11L10 Series

Rev.1.0\_00

### ■ Explanation of Terms

#### 1. Low dropout voltage regulator

This IC's voltage regulator has the low dropout voltage due to its built-in low on-resistance transistor.

#### 2. Output voltage ( $V_{OUT}$ )

The accuracy of the output voltage is ensured at  $\pm 1.0\%$  or  $\pm 15 \text{ mV}^{\ast 1}$  under the specified conditions of fixed input voltage<sup>\*2</sup>, fixed output current, and fixed temperature.

\*1. Differs depending on the product.

\*2. When  $V_{OUT} < 1.5 \text{ V} : \pm 15 \text{ mV}$ , when  $1.5 \text{ V} \leq V_{OUT} : \pm 1.0\%$

**Caution** If the above conditions change, the output voltage value may vary and exceed the accuracy range of the output voltage. Refer to “■ Electrical Characteristics” and “■ Characteristics (Typical Data)” for details.

#### 3. Line regulation $\left( \frac{\Delta V_{OUT1}}{\Delta V_{IN} \bullet V_{OUT}} \right)$

Indicates the dependency of the output voltage on the input voltage. That is, the values show how much the output voltage changes due to a change in the input voltage with the output current remaining unchanged.

#### 4. Load regulation ( $\Delta V_{OUT2}$ )

Indicates the dependency of the output voltage on the output current. That is, the values show how much the output voltage changes due to a change in the output current with the input voltage remaining unchanged.

#### 5. Dropout voltage ( $V_{drop}$ )

Indicates the difference between input voltage  $V_{IN}$  and the output voltage when; decreasing input voltage  $V_{IN}$  gradually until the output voltage has dropped out to the value of 98% of output voltage  $V_{OUT3}$ , which is at  $V_{IN} = V_{OUT(S)} + 1.0 \text{ V}$ .

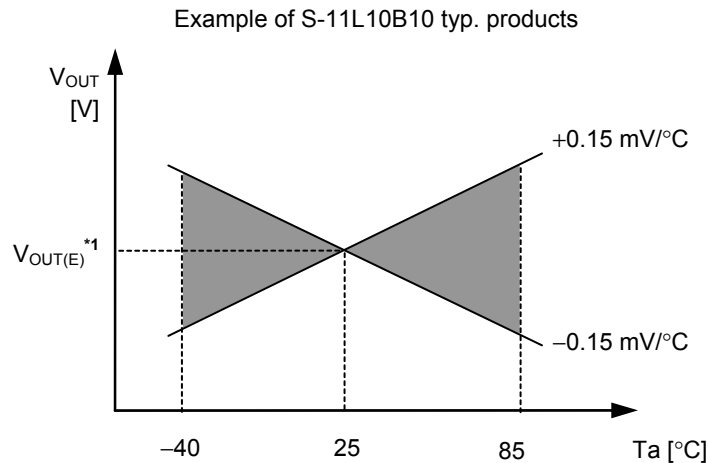
$$V_{drop} = V_{IN1} - (V_{OUT3} \times 0.98)$$

**SUPER-LOW OUTPUT VOLTAGE LOW DROPOUT CMOS VOLTAGE REGULATOR**

Rev.1.0\_00

**S-11L10 Series****6. Temperature coefficient of output voltage**  $\left(\frac{\Delta V_{OUT}}{\Delta T_a \bullet V_{OUT}}\right)$ 

The shaded area in **Figure 12** is the range where  $V_{OUT}$  varies in the operating temperature range when the temperature coefficient of the output voltage is  $\pm 150$  ppm/ $^{\circ}\text{C}$ .



\*1.  $V_{OUT(E)}$  is the value of the output voltage measured at  $25^{\circ}\text{C}$ .

**Figure 12**

A change in the temperature of the output voltage [ $\text{mV}/^{\circ}\text{C}$ ] is calculated using the following equation.

$$\frac{\Delta V_{OUT}}{\Delta T_a} [\text{mV}/^{\circ}\text{C}]^{*1} = V_{OUT(S)} [\text{V}]^{*2} \times \frac{\Delta V_{OUT}}{\Delta T_a \bullet V_{OUT}} [\text{ppm}/^{\circ}\text{C}]^{*3} \div 1000$$

- \*1. Change in temperature of output voltage
- \*2. Specified output voltage
- \*3. Output voltage temperature coefficient

# SUPER-LOW OUTPUT VOLTAGE LOW DROPOUT CMOS VOLTAGE REGULATOR

## S-11L10 Series

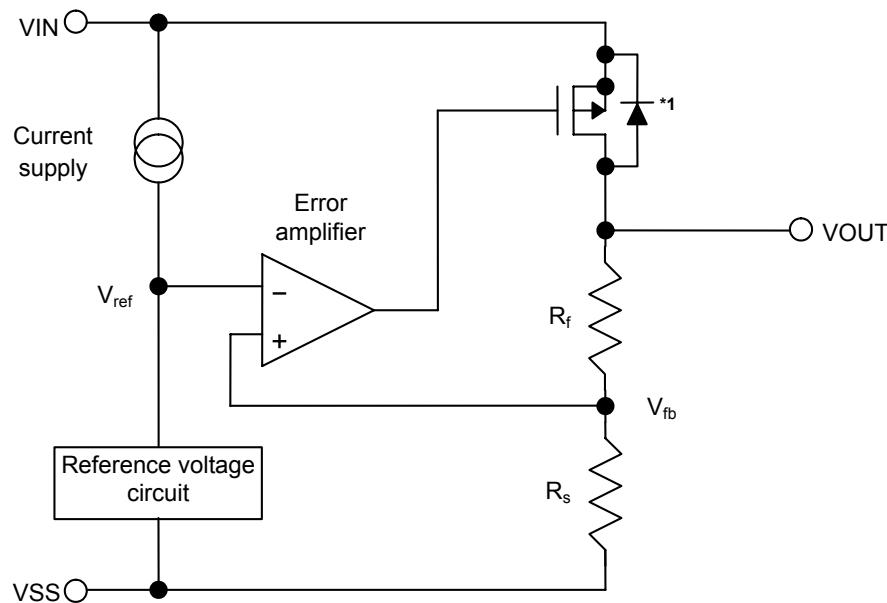
Rev.1.0\_00

### ■ Operation

#### 1. Basic operation

Figure 13 shows the block diagram of S-11L10 Series.

The error amplifier compares the reference voltage ( $V_{ref}$ ) with  $V_{fb}$ , which is the output voltage resistance-divided by feedback resistors  $R_s$  and  $R_f$ . It supplies the gate voltage necessary to maintain the constant output voltage which is not influenced by the input voltage and temperature change, to the output transistor.



\*1. Parasitic diode

Figure 13

www.DataSheet4U.com

#### 2. Output transistor

In the S-11L10 Series, a low on-resistance P-channel MOS FET is used as the output transistor.

Be sure that  $V_{OUT}$  does not exceed  $V_{IN} + 0.3$  V to prevent the voltage regulator from being damaged due to inverse current flowing from the VOUT pin through a parasitic diode to the VIN pin.

# SUPER-LOW OUTPUT VOLTAGE LOW DROPOUT CMOS VOLTAGE REGULATOR

Rev.1.0\_00

S-11L10 Series

## 3. ON / OFF pin

This pin starts and stops the regulator.

When the ON / OFF pin is set to the power-off level, the entire internal circuit stops operating, and the built-in P-channel MOS FET output transistor between the VIN and VOUT pins is turned off, reducing current consumption significantly.

Since the S-11L10 Series has a built-in discharge shunt circuit to discharge the output capacitance, the VOUT pin is forcibly set to the  $V_{SS}$  level. The ON / OFF pin is configured as shown in **Figure 14** and **15**.

### (1) S-11L10 Series B type

The ON / OFF pin is internally pulled down to  $V_{SS}$  by constant current source, so the VOUT pin is set to the  $V_{SS}$  level when it is in the floating state. For the ON / OFF pin current, refer to the B type of power-off pin input current "H" in "■ Electrical Characteristics".

### (2) S-11L10 Series D type

Do not use the ON / OFF pin in the floating state because this pin is internally not pulled up or pulled down. When not using the ON / OFF pin, connect it to the VIN pin.

**Caution** Under high temperature in the S-11L10 Series, this IC's current consumption may increase if applying voltage of 0.2 V to 0.9 V to the ON / OFF pin.

Table 8

Logic Type	ON / OFF Pin	Internal Circuits	VOUT Pin Voltage	Current Consumption
B / D	"L": Power-off	Stop	$V_{SS}$ level	$I_{SS2}$
B / D	"H": Power-on	Operate	Set value	$I_{SS1}$

### (1) S-11L10 Series B Type

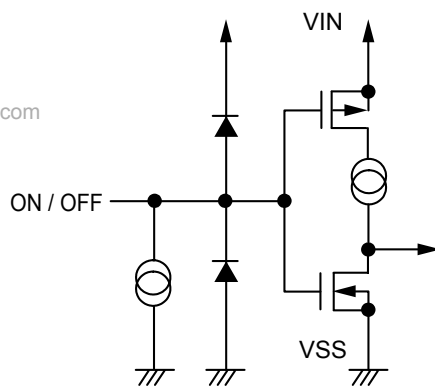


Figure 14

### (2) S-11L10 Series D Type

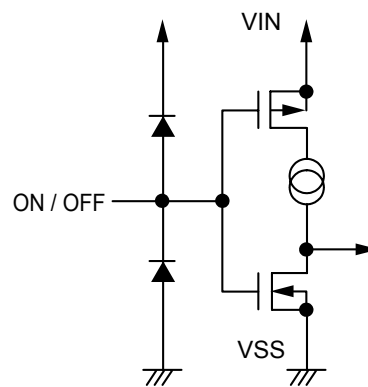


Figure 15

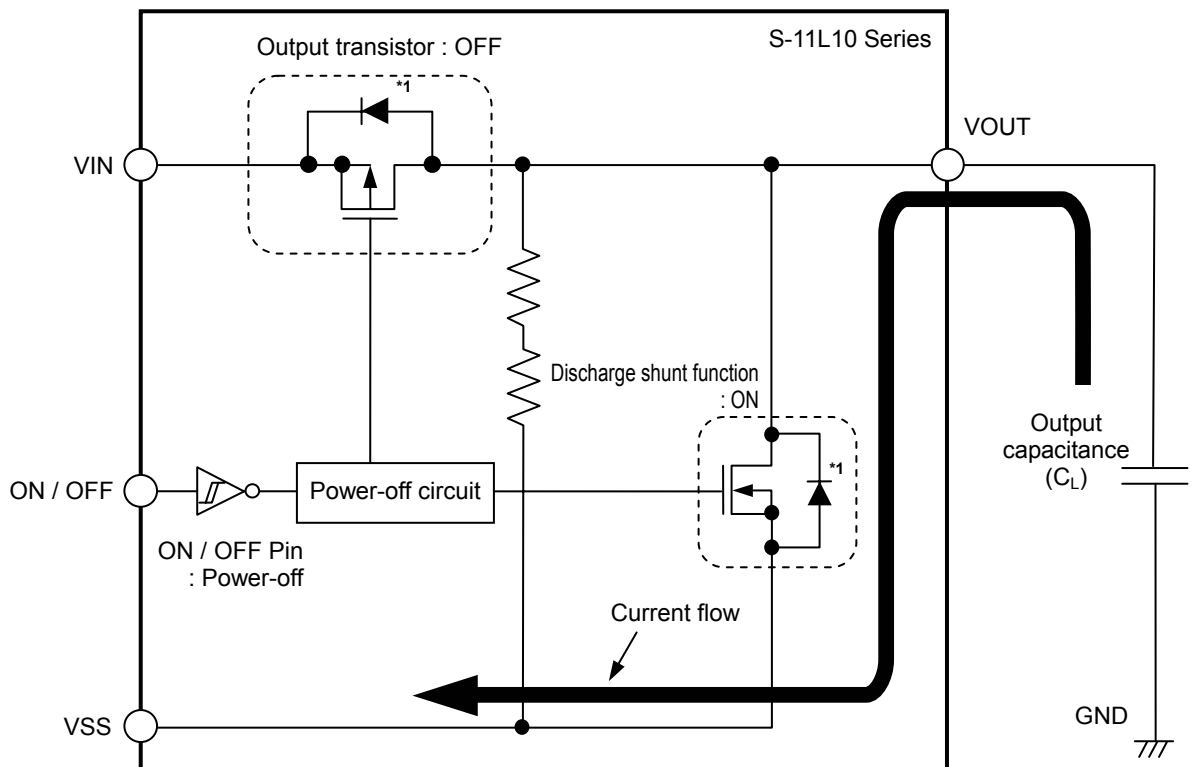
# SUPER-LOW OUTPUT VOLTAGE LOW DROPOUT CMOS VOLTAGE REGULATOR

## S-11L10 Series

Rev.1.0\_00

### 4. Discharge shunt function

The S-11L10 Series has a built-in discharge shunt circuit to discharge the output capacitance. When the ON / OFF pin is set to power-off level, turns the output transistor off, and turns the discharge shunt function on so that the output capacitor discharges. The VOUT pin is set to the  $V_{SS}$  level faster, compared to the product which does not have a discharge shunt circuit.



\*1. Parasitic diode

www.DataSheet4U.com

Figure 16



**SUPER-LOW OUTPUT VOLTAGE LOW DROPOUT CMOS VOLTAGE REGULATOR**

Rev.1.0\_00

**S-11L10 Series**

---

---

**5. Overcurrent protection circuit**

The S-11L10 Series has an overcurrent protection circuit having the characteristics shown in “(1) Output Voltage vs. Output Current (When Load Current Increases) (Ta = 25°C)” in “■ Characteristics (Typical Data)”, in order to protect the output transistor against an excessive output current and short circuiting between the VOUT and VSS pins. The current ( $I_{short}$ ) when the output pin is short-circuited is internally set at approx. 150 mA (typ.), and the normal value is restored for the output voltage, if releasing a short circuit once.

**Caution** Using the overcurrent protection circuit is to protect the output transistor from accidental conditions such as short circuited load and the rapid and large current flow in the large capacitor. The overcurrent protection circuit is not suitable for use under the short circuit status or large current flowing (150 mA or more) that last long.

**6. Constant current source pull-down (S-11L10 Series B type)**

In the S-11L10 Series B type, the ON / OFF pin is internally pulled down to VSS, so the VOUT pin is in the  $V_{SS}$  level in the floating status.

In the S-11L10 Series B type, note that the ON / OFF pin is connected to VIN and during operation, IC's current consumption increases as much as the constant current flows.

# SUPER-LOW OUTPUT VOLTAGE LOW DROPOUT CMOS VOLTAGE REGULATOR

## S-11L10 Series

Rev.1.0\_00

### ■ Precautions

- Wiring patterns for the VIN, VOUT and GND pins should be designed so that the impedance is low. When mounting an output capacitor between the VOUT and VSS pin ( $C_L$ ) and a capacitor for stabilizing the input between VIN and VSS pin ( $C_{IN}$ ), the distance from the capacitors to these pins should be as short as possible.
- Note that the output voltage may increase when a series regulator is used at low load current (100  $\mu$ A or less).
- Note that the output voltage may increase due to the leakage current from a driver when a series regulator is used at high temperature.
- Under high temperature, this IC's current consumption may increase if applying voltage of 0.2 V to 0.9 V to the ON / OFF pin.
- This IC may oscillate if power supply's inductance is high. Select an input capacitor after performing sufficient evaluation under the actual usage conditions including evaluation of temperature characteristics.
- Generally a series regulator may cause oscillation, depending on the selection of external parts. The following conditions are recommended for this IC. However, be sure to perform sufficient evaluation under the actual usage conditions for selection, including evaluation of temperature characteristics. See “(5) Example of Equivalent Series Resistance vs. Output Current Characteristics ( $T_a = 25^\circ\text{C}$ )” in “■ Reference Data” for the equivalent series resistance ( $R_{ESR}$ ) of the output capacitor.

Input capacitor ( $C_{IN}$ ) : 1.0  $\mu$ F or more

Output capacitor ( $C_L$ ) : 1.0  $\mu$ F or more

- The voltage regulator may oscillate when the impedance of the power supply is high and the input capacitor is small or an input capacitor is not connected.
- If the output capacitance is small, power supply's fluctuation and the characteristics of load fluctuation become worse. Sufficiently evaluate the output voltage's fluctuation with the actual device.
- A momentary overshoot may be output when the power supply suddenly increases, and the output capacitance is small. It is therefore important to sufficiently evaluate the output voltage at power application in actual device.
- The application conditions for the input voltage, output voltage, and load current should not exceed the package power dissipation.
- Do not apply an electrostatic discharge to this IC that exceeds the performance ratings of the built-in electrostatic protection circuit.
- In determining the output current, attention should be paid to the output current value specified in **Table 7** in “■ Electrical Characteristics” and footnote \*5 of the table.
- SII claims no responsibility for any disputes arising out of or in connection with any infringement by products including this IC of patents owned by a third party.

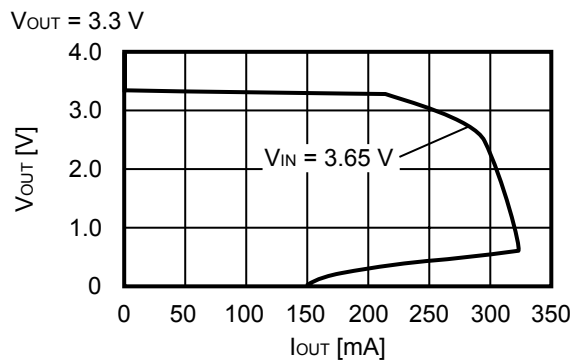
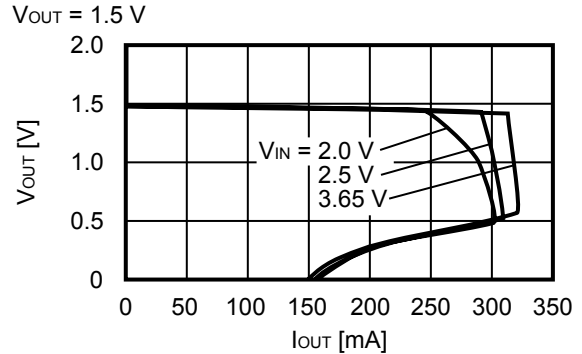
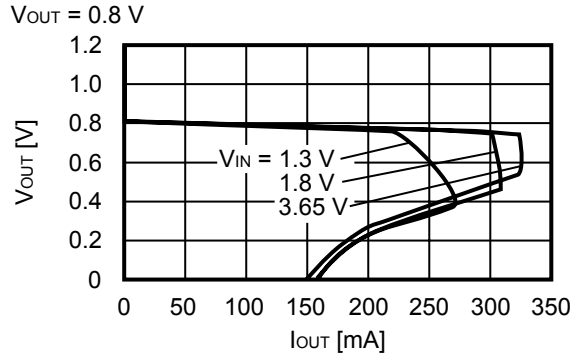
# SUPER-LOW OUTPUT VOLTAGE LOW DROPOUT CMOS VOLTAGE REGULATOR

Rev.1.0\_00

S-11L10 Series

## ■ Characteristics (Typical Data)

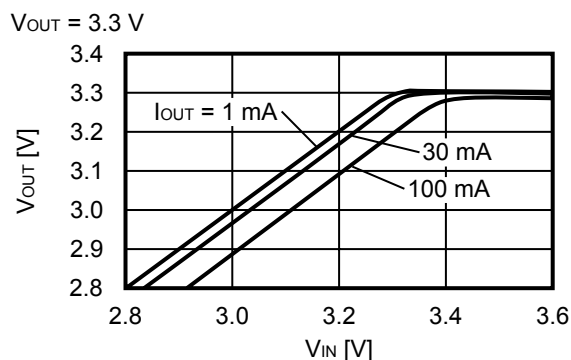
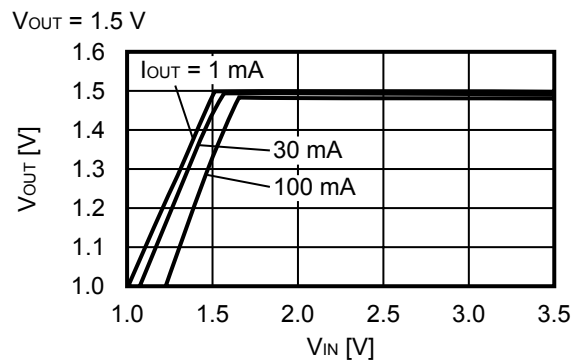
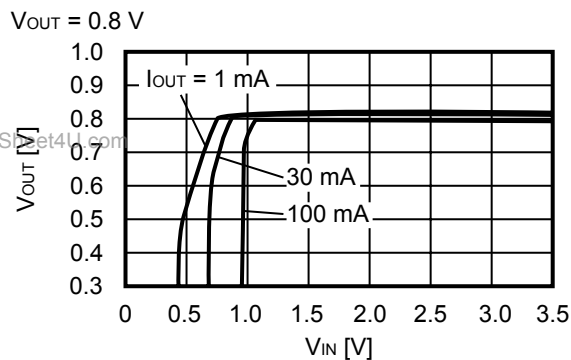
### (1) Output Voltage vs. Output Current (When Load Current Increases) (Ta = 25°C)



**Remark** In determining the output current, attention should be paid to the following.

1. The minimum output current value and footnote \*5 in Table 7 in the "■ Electrical Characteristics"
2. The package power dissipation

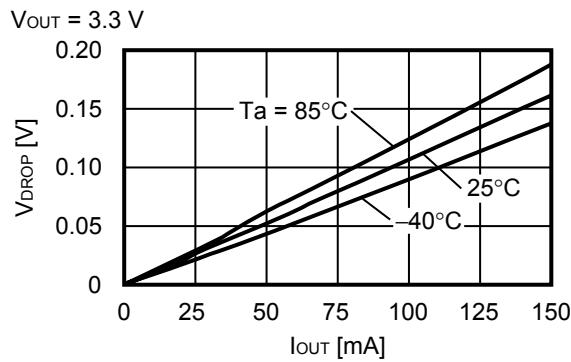
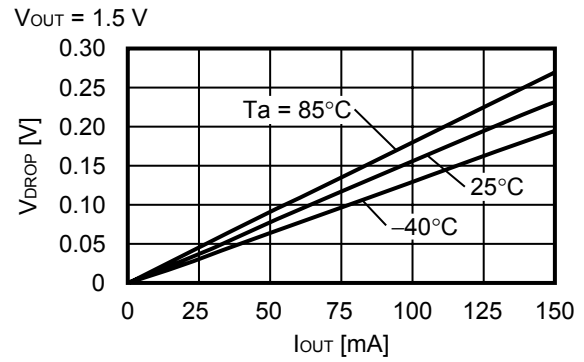
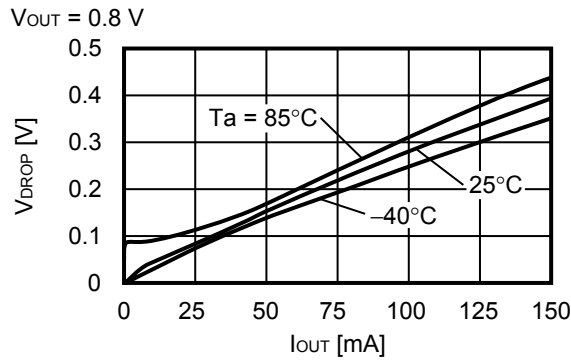
### (2) Output Voltage vs. Input Voltage (Ta = 25°C)



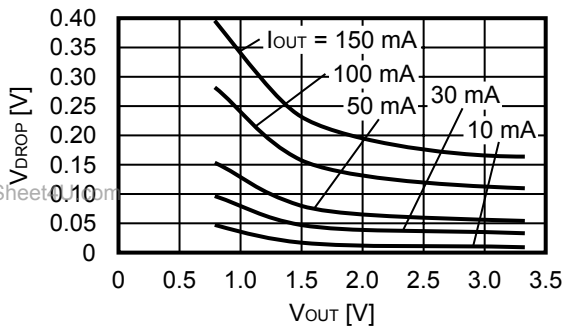
**SUPER-LOW OUTPUT VOLTAGE LOW DROPOUT CMOS VOLTAGE REGULATOR**  
**S-11L10 Series**

Rev.1.0\_00

**(3) Dropout Voltage vs. Output Current**



**(4) Dropout Voltage vs. Set Output Voltage**

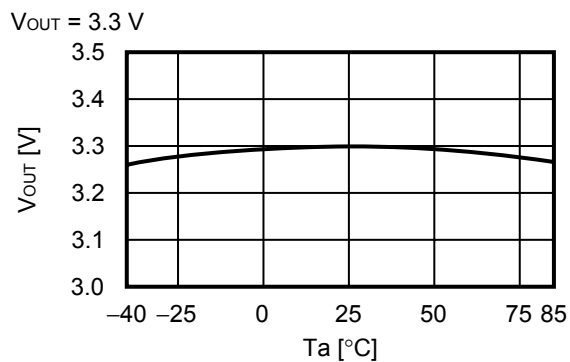
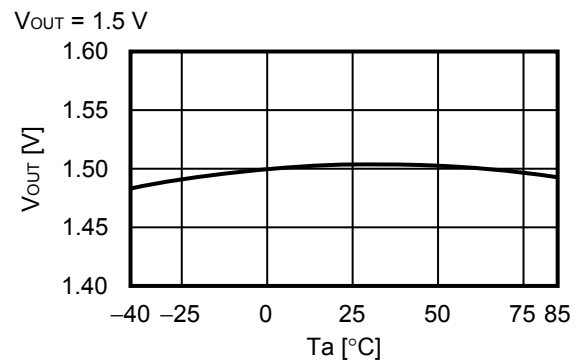
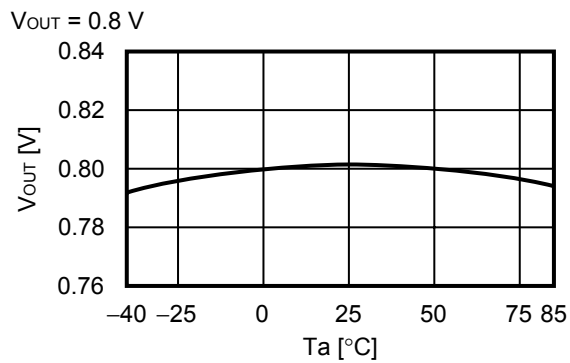


**SUPER-LOW OUTPUT VOLTAGE LOW DROPOUT CMOS VOLTAGE REGULATOR**

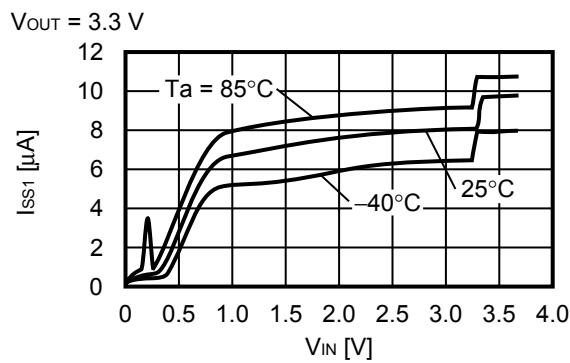
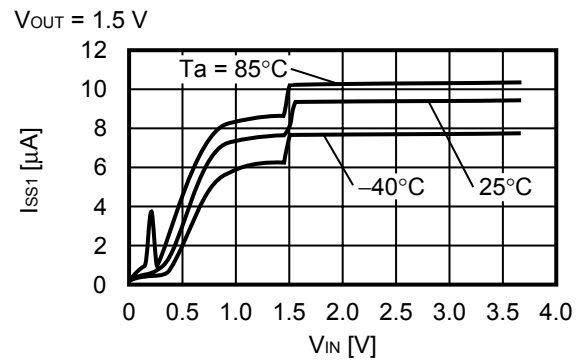
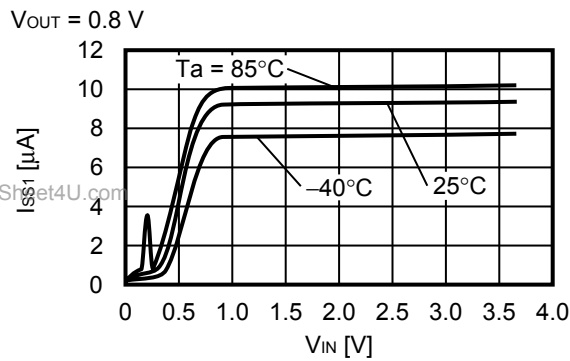
Rev.1.0\_00

**S-11L10 Series**

**(5) Output Voltage vs. Ambient Temperature**



**(6) Current Consumption vs. Input Voltage**

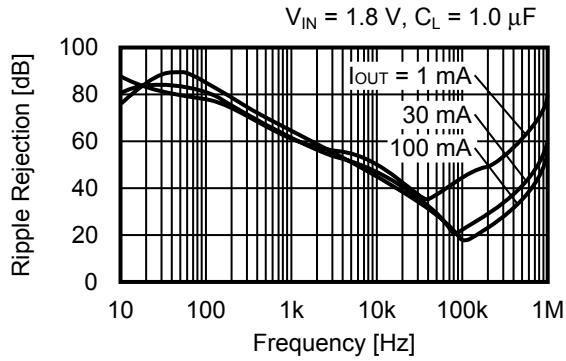


**SUPER-LOW OUTPUT VOLTAGE LOW DROPOUT CMOS VOLTAGE REGULATOR**  
**S-11L10 Series**

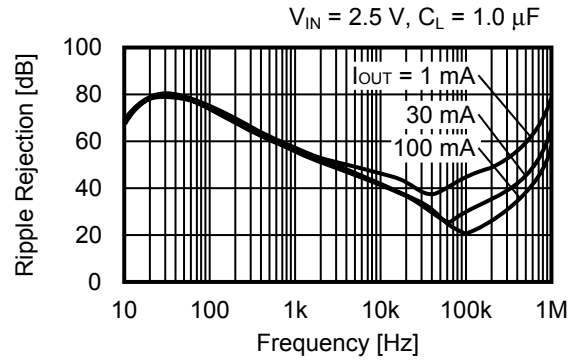
Rev.1.0\_00

**(7) Ripple Rejection (Ta = 25°C)**

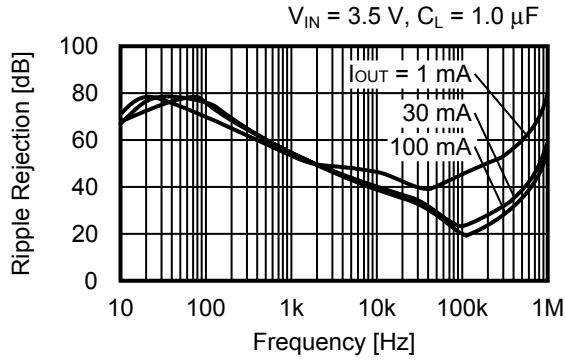
V<sub>OUT</sub> = 0.8 V



V<sub>OUT</sub> = 1.5 V



V<sub>OUT</sub> = 2.5 V



# SUPER-LOW OUTPUT VOLTAGE LOW DROPOUT CMOS VOLTAGE REGULATOR

Rev.1.0\_00

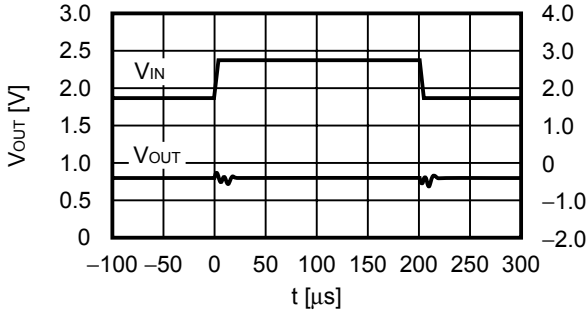
S-11L10 Series

## Reference Data

### (1) Transient Response Characteristics when Input (Ta = 25°C)

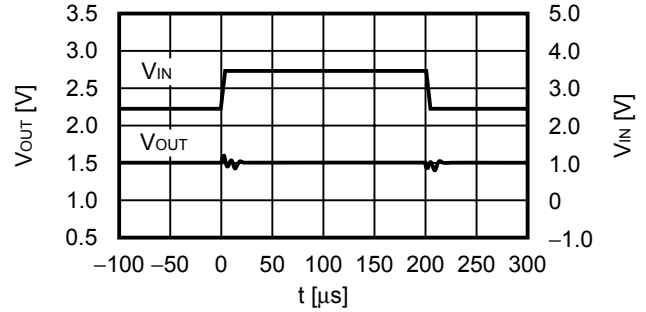
V<sub>OUT</sub> = 0.8 V

I<sub>OUT</sub> = 30 mA, tr = tf = 5.0 μs, C<sub>L</sub> = 1.0 μF, C<sub>IN</sub> = 1.0 μF



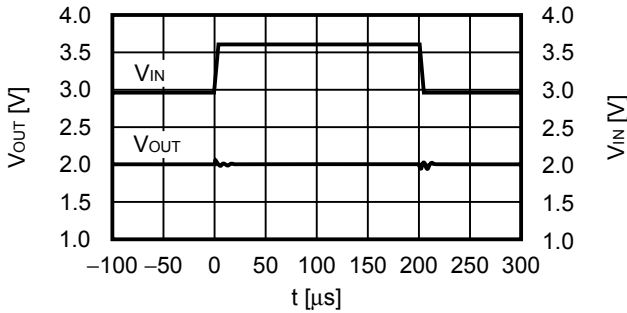
V<sub>OUT</sub> = 1.5 V

I<sub>OUT</sub> = 30 mA, tr = tf = 5.0 μs, C<sub>L</sub> = 1.0 μF, C<sub>IN</sub> = 1.0 μF



V<sub>OUT</sub> = 2.0 V

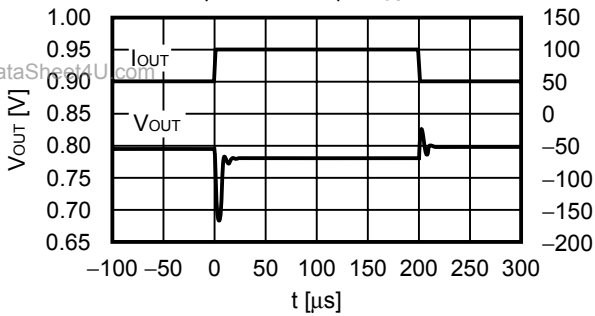
I<sub>OUT</sub> = 30 mA, tr = tf = 5.0 μs, C<sub>L</sub> = 1.0 μF, C<sub>IN</sub> = 1.0 μF



### (2) Transient Response Characteristics of Load (Ta = 25°C)

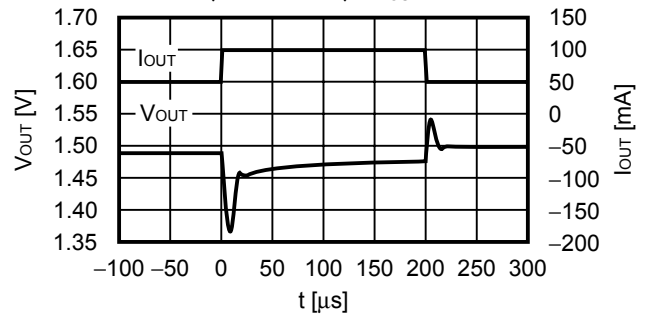
V<sub>OUT</sub> = 0.8 V

V<sub>IN</sub> = 1.8 V, C<sub>L</sub> = 1.0 μF, C<sub>IN</sub> = 1.0 μF, I<sub>OUT</sub> = 50 ↔ 100 mA



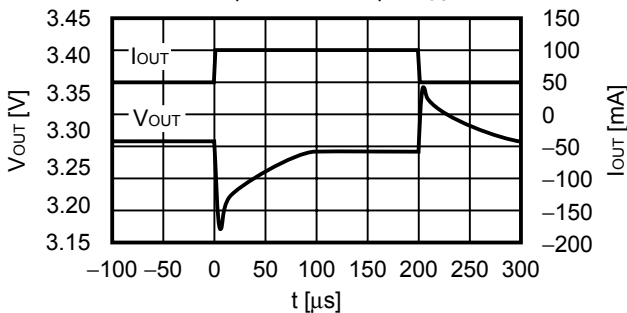
V<sub>OUT</sub> = 1.5 V

V<sub>IN</sub> = 2.5 V, C<sub>L</sub> = 1.0 μF, C<sub>IN</sub> = 1.0 μF, I<sub>OUT</sub> = 50 ↔ 100 mA



V<sub>OUT</sub> = 3.3 V

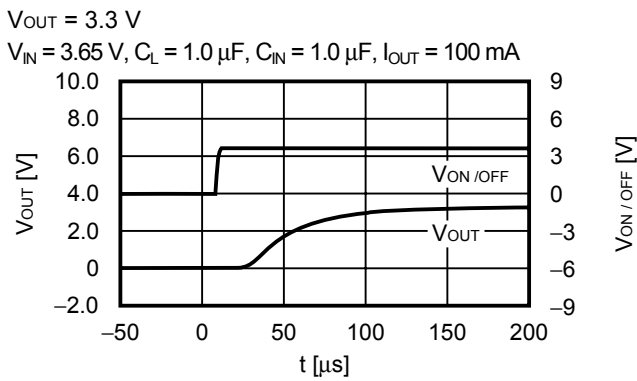
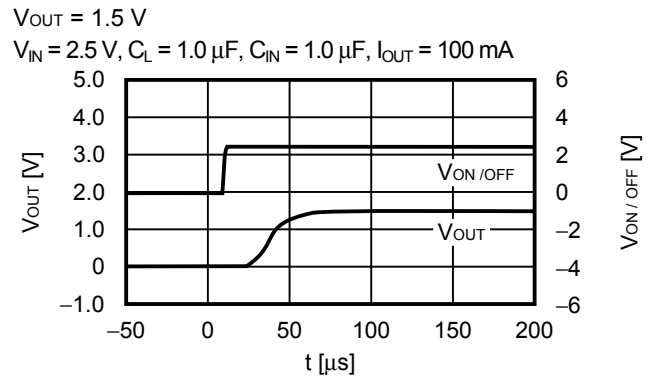
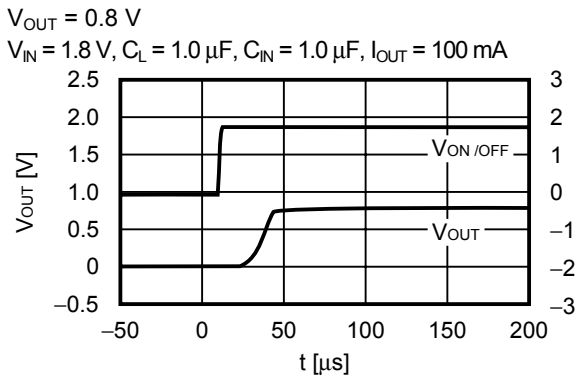
V<sub>IN</sub> = 3.65 V, C<sub>L</sub> = 1.0 μF, C<sub>IN</sub> = 1.0 μF, I<sub>OUT</sub> = 50 ↔ 100 mA



**SUPER-LOW OUTPUT VOLTAGE LOW DROPOUT CMOS VOLTAGE REGULATOR**  
**S-11L10 Series**

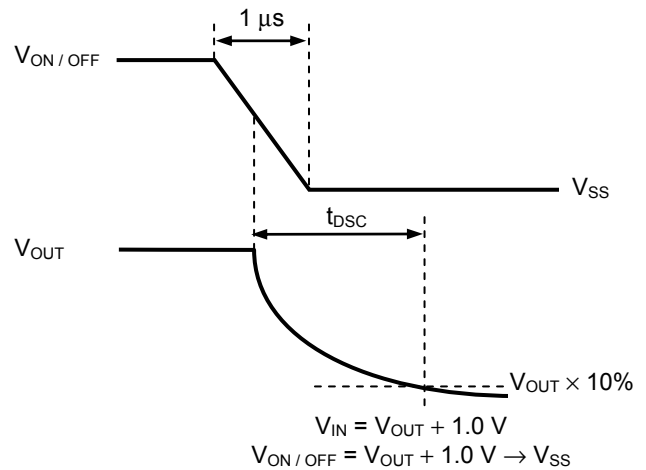
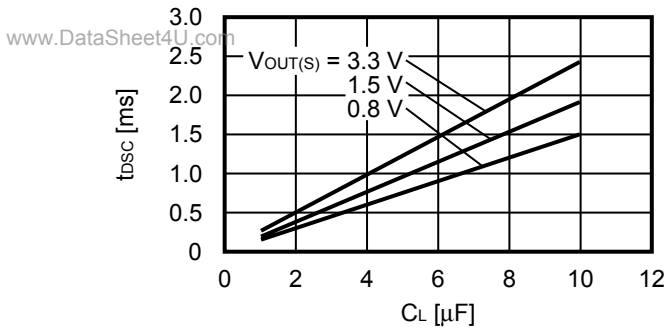
Rev.1.0\_00

**(3) Transient Response Characteristics of ON / OFF Pin (Ta = 25°C)**



**(4) Output Capacitance vs. Characteristics of Discharge Time (Ta = 25°C)**

$V_{IN} = V_{OUT} + 1.0\text{ V}$  (max.: 3.65 V),  $I_{OUT} = \text{no load}$   
 $V_{ON/OFF} = V_{OUT} + 1.0\text{ V} \rightarrow V_{SS}, t_f = 1\ \mu\text{s}$



**Figure 14 Measurement Condition of Discharge Time**



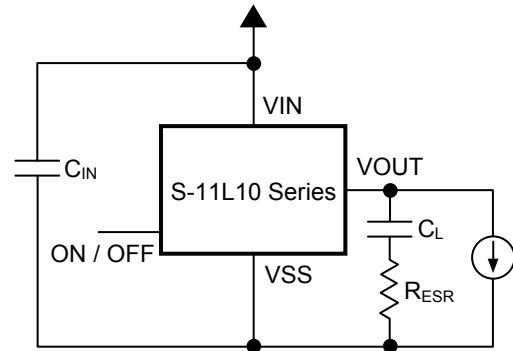
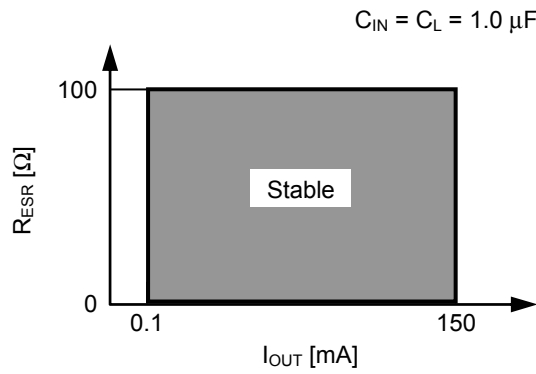
**SUPER-LOW OUTPUT VOLTAGE LOW DROPOUT CMOS VOLTAGE REGULATOR**

Rev.1.0\_00

**S-11L10 Series**

**(5) Example of Equivalent Series Resistance vs. Output Current Characteristics (Ta = 25°C)**

$C_L$  : TDK Corporation C3216X8R1E105K (1.0  $\mu$ F)



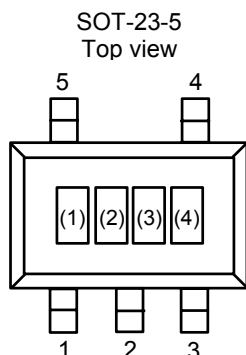
# SUPER-LOW OUTPUT VOLTAGE LOW DROPOUT CMOS VOLTAGE REGULATOR

## S-11L10 Series

Rev.1.0\_00

### ■ Marking Specifications

#### (1) SOT-23-5



(1) to (3) : Product code (Refer to **Product name vs. Product code**)  
(4) : Lot number

#### Product name vs. Product code

##### (a) S-11L10 Series B type

Product Name	Product code		
	(1)	(2)	(3)
S-11L10B08-M5T1U	T	V	A
S-11L10B09-M5T1U	T	V	B
S-11L10B10-M5T1U	T	V	C
S-11L10B11-M5T1U	T	V	D
S-11L10B12-M5T1U	T	V	E
S-11L10B13-M5T1U	T	V	F
S-11L10B14-M5T1U	T	V	G
S-11L10B15-M5T1U	T	V	H
S-11L10B16-M5T1U	T	V	I
S-11L10B17-M5T1U	T	V	J
S-11L10B18-M5T1U	T	V	K
S-11L10B19-M5T1U	T	V	L
S-11L10B20-M5T1U	T	V	M
S-11L10B21-M5T1U	T	V	N
S-11L10B22-M5T1U	T	V	O
S-11L10B23-M5T1U	T	V	P
S-11L10B24-M5T1U	T	V	Q
S-11L10B25-M5T1U	T	V	R
S-11L10B26-M5T1U	T	V	S
S-11L10B27-M5T1U	T	V	T
S-11L10B28-M5T1U	T	V	U
S-11L10B29-M5T1U	T	V	V
S-11L10B30-M5T1U	T	V	W
S-11L10B31-M5T1U	T	V	X
S-11L10B32-M5T1U	T	V	Y
S-11L10B33-M5T1U	T	V	Z

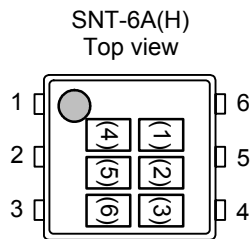
##### (b) S-11L10 Series D type

Product Name	Product code		
	(1)	(2)	(3)
S-11L10D08-M5T1U	T	X	A
S-11L10D09-M5T1U	T	X	B
S-11L10D10-M5T1U	T	X	C
S-11L10D11-M5T1U	T	X	D
S-11L10D12-M5T1U	T	X	E
S-11L10D13-M5T1U	T	X	F
S-11L10D14-M5T1U	T	X	G
S-11L10D15-M5T1U	T	X	H
S-11L10D16-M5T1U	T	X	I
S-11L10D17-M5T1U	T	X	J
S-11L10D18-M5T1U	T	X	K
S-11L10D19-M5T1U	T	X	L
S-11L10D20-M5T1U	T	X	M
S-11L10D21-M5T1U	T	X	N
S-11L10D22-M5T1U	T	X	O
S-11L10D23-M5T1U	T	X	P
S-11L10D24-M5T1U	T	X	Q
S-11L10D25-M5T1U	T	X	R
S-11L10D26-M5T1U	T	X	S
S-11L10D27-M5T1U	T	X	T
S-11L10D28-M5T1U	T	X	U
S-11L10D29-M5T1U	T	X	V
S-11L10D30-M5T1U	T	X	W
S-11L10D31-M5T1U	T	X	X
S-11L10D32-M5T1U	T	X	Y
S-11L10D33-M5T1U	T	X	Z

**Remark** Please contact our sales office for products with specifications other than the above.

**SUPER-LOW OUTPUT VOLTAGE LOW DROPOUT CMOS VOLTAGE REGULATOR**

Rev.1.0\_00

**S-11L10 Series****(2) SNT-6A(H)**

(1) to (3) : Product code (Refer to **Product name vs. Product code**)  
 (4) tp (6) : Lot number

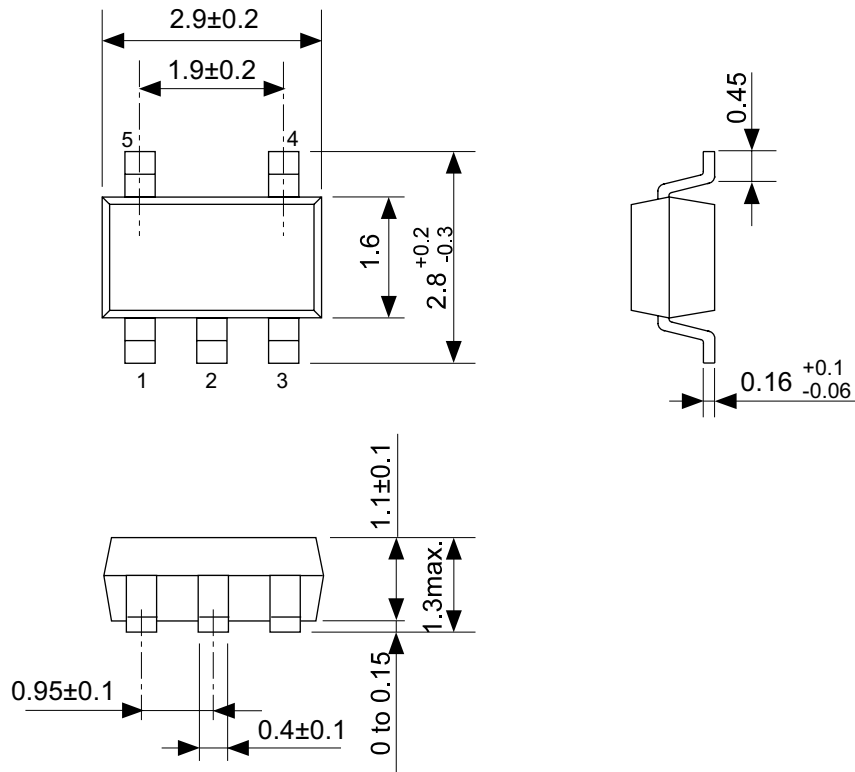
**Product name vs. Product code****(a) S-11L10 Series B type**

Product Name	Product code		
	(1)	(2)	(3)
S-11L10B08-I6T2G	T	V	A
S-11L10B09-I6T2G	T	V	B
S-11L10B10-I6T2G	T	V	C
S-11L10B11-I6T2G	T	V	D
S-11L10B12-I6T2G	T	V	E
S-11L10B13-I6T2G	T	V	F
S-11L10B14-I6T2G	T	V	G
S-11L10B15-I6T2G	T	V	H
S-11L10B16-I6T2G	T	V	I
S-11L10B17-I6T2G	T	V	J
S-11L10B18-I6T2G	T	V	K
S-11L10B19-I6T2G	T	V	L
S-11L10B20-I6T2G	T	V	M
S-11L10B21-I6T2G	T	V	N
S-11L10B22-I6T2G	T	V	O
S-11L10B23-I6T2G	T	V	P
S-11L10B24-I6T2G	T	V	Q
S-11L10B25-I6T2G	T	V	R
S-11L10B26-I6T2G	T	V	S
S-11L10B27-I6T2G	T	V	T
S-11L10B28-I6T2G	T	V	U
S-11L10B29-I6T2G	T	V	V
S-11L10B30-I6T2G	T	V	W
S-11L10B31-I6T2G	T	V	X
S-11L10B32-I6T2G	T	V	Y
S-11L10B33-I6T2G	T	V	Z

**(b) S-11L10 Series D type**

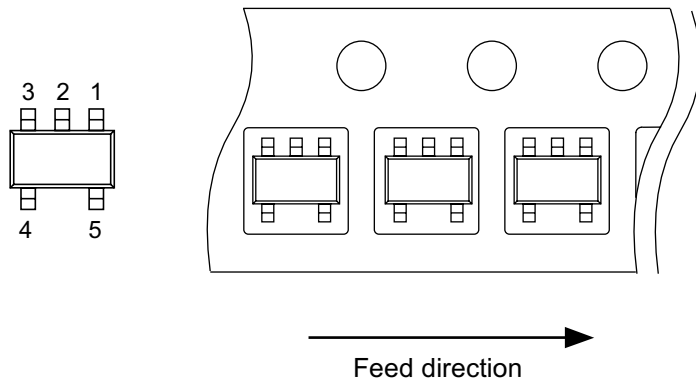
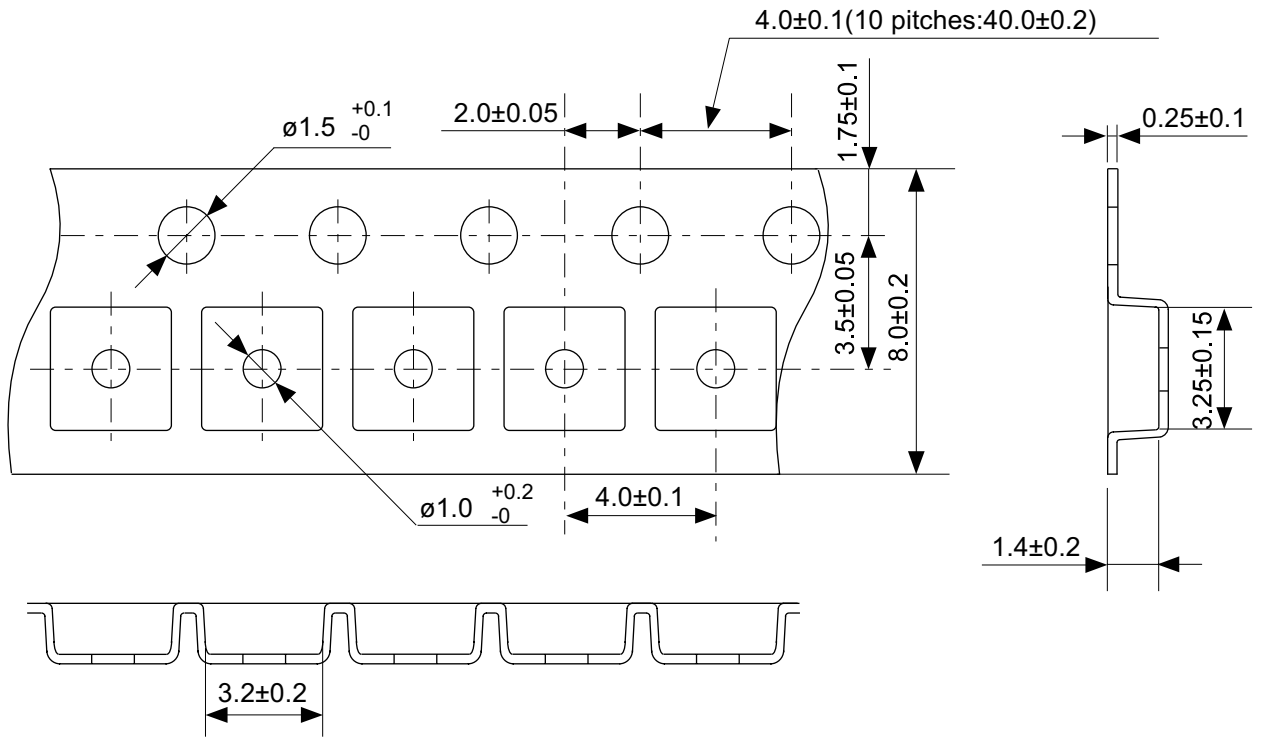
Product Name	Product code		
	(1)	(2)	(3)
S-11L10D08-I6T2G	T	X	A
S-11L10D09-I6T2G	T	X	B
S-11L10D10-I6T2G	T	X	C
S-11L10D11-I6T2G	T	X	D
S-11L10D12-I6T2G	T	X	E
S-11L10D13-I6T2G	T	X	F
S-11L10D14-I6T2G	T	X	G
S-11L10D15-I6T2G	T	X	H
S-11L10D16-I6T2G	T	X	I
S-11L10D17-I6T2G	T	X	J
S-11L10D18-I6T2G	T	X	K
S-11L10D19-I6T2G	T	X	L
S-11L10D20-I6T2G	T	X	M
S-11L10D21-I6T2G	T	X	N
S-11L10D22-I6T2G	T	X	O
S-11L10D23-I6T2G	T	X	P
S-11L10D24-I6T2G	T	X	Q
S-11L10D25-I6T2G	T	X	R
S-11L10D26-I6T2G	T	X	S
S-11L10D27-I6T2G	T	X	T
S-11L10D28-I6T2G	T	X	U
S-11L10D29-I6T2G	T	X	V
S-11L10D30-I6T2G	T	X	W
S-11L10D31-I6T2G	T	X	X
S-11L10D32-I6T2G	T	X	Y
S-11L10D33-I6T2G	T	X	Z

**Remark** Please contact our sales office for products with specifications other than the above.



No. MP005-A-P-SD-1.2

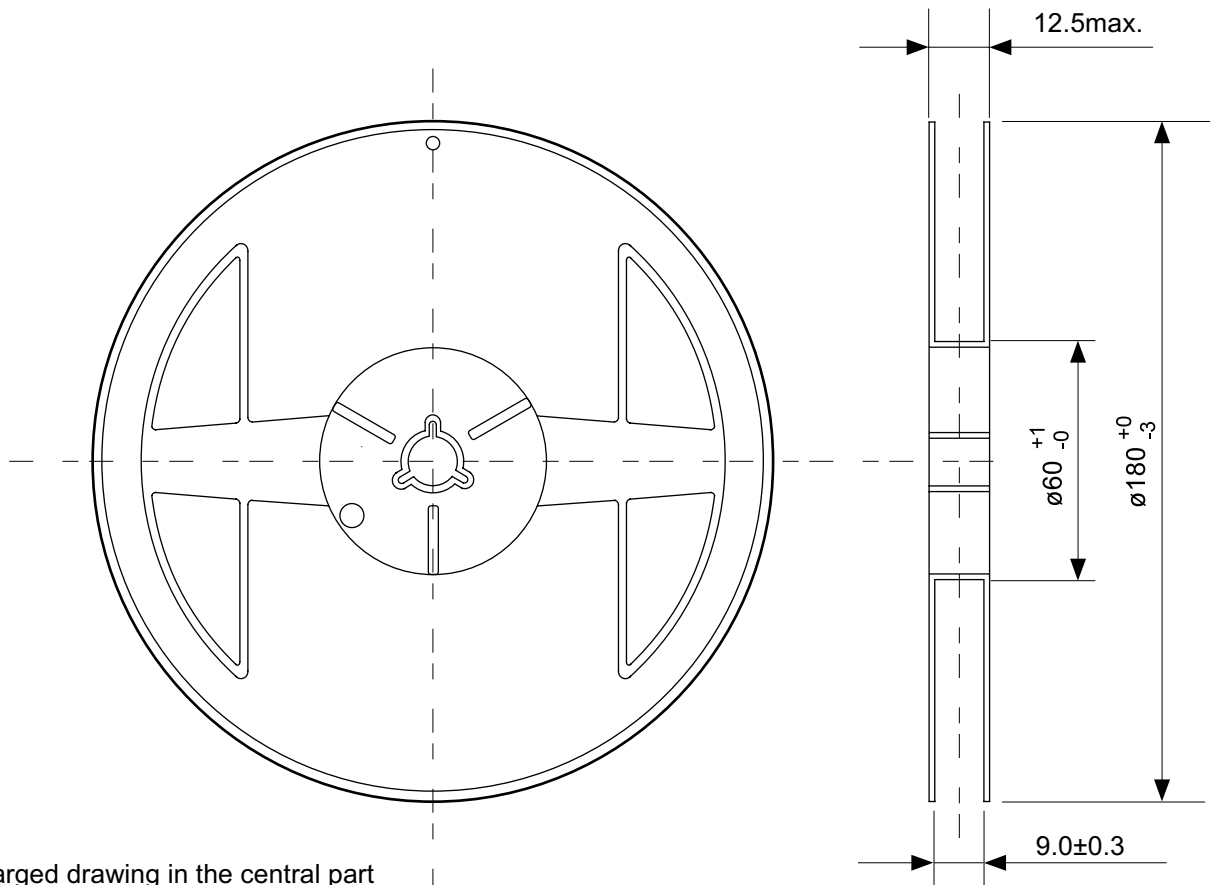
TITLE	SOT235-A-PKG Dimensions
No.	MP005-A-P-SD-1.2
SCALE	
UNIT	mm
Seiko Instruments Inc.	



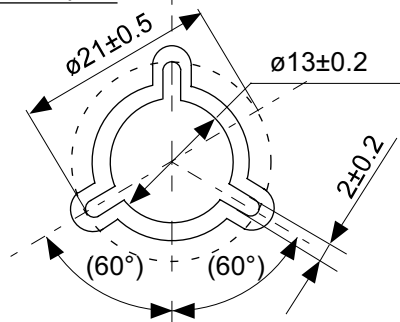
www.DataSheet4U.com

No. MP005-A-C-SD-2.1

TITLE	SOT235-A-Carrier Tape
No.	MP005-A-C-SD-2.1
SCALE	
UNIT	mm
Seiko Instruments Inc.	

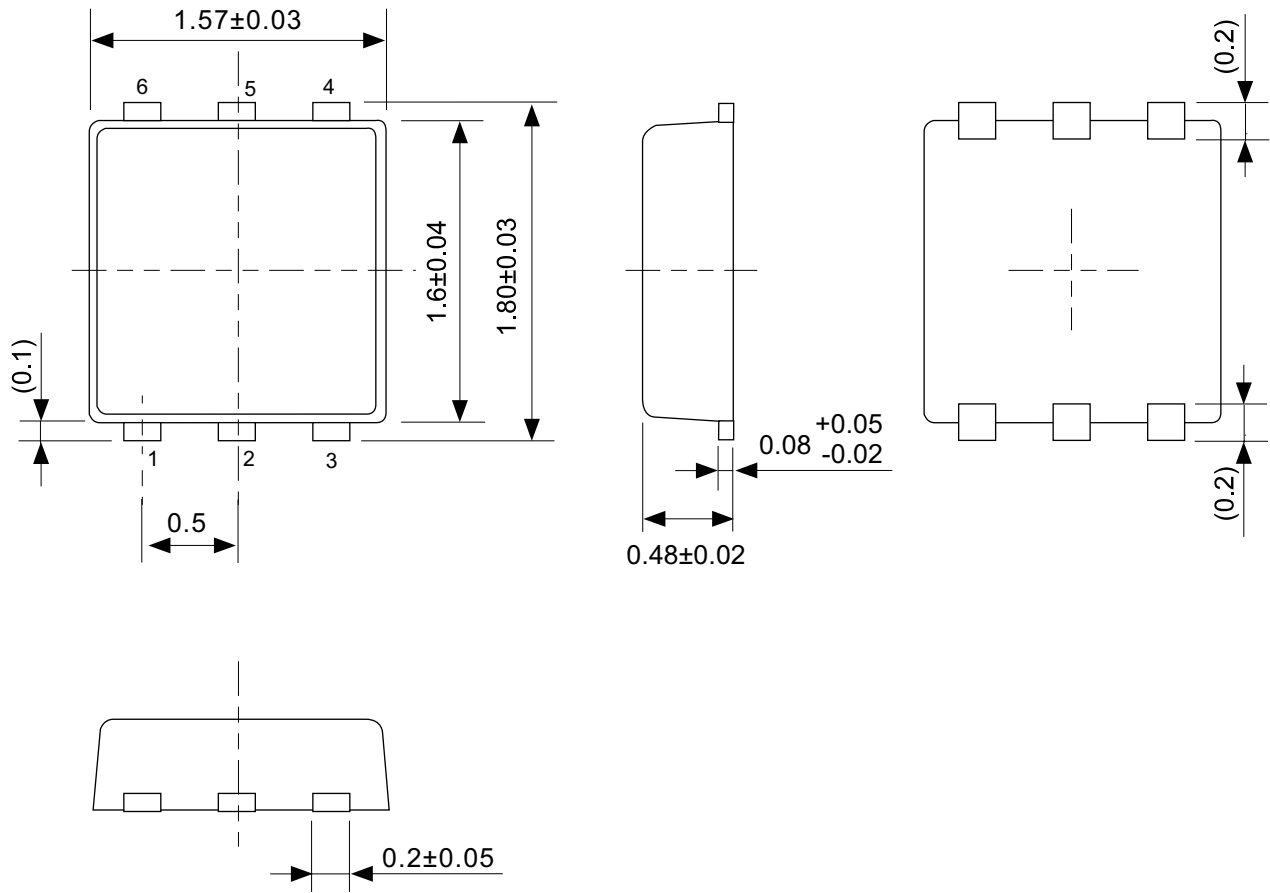


Enlarged drawing in the central part



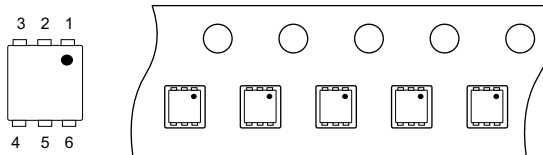
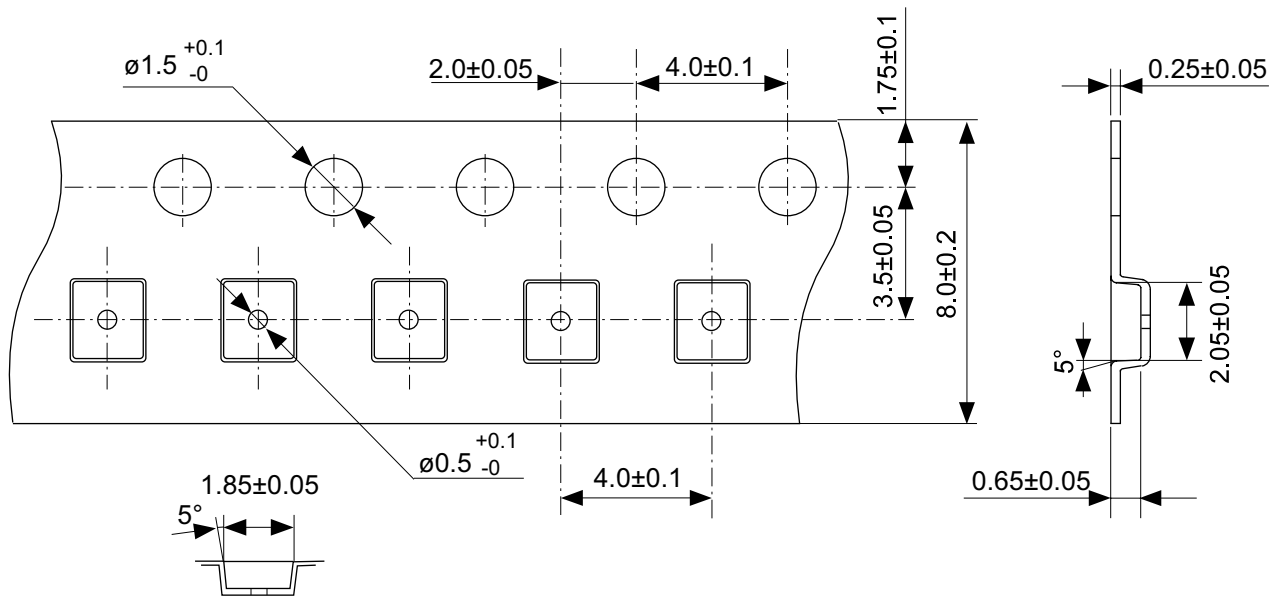
No. MP005-A-R-SD-1.1

TITLE	SOT235-A-Reel		
No.	MP005-A-R-SD-1.1		
SCALE		QTY.	3,000
UNIT	mm		
Seiko Instruments Inc.			



No. PI006-A-P-SD-2.0

TITLE	SNT-6A(H)-A-PKG Dimensions
No.	PI006-A-P-SD-2.0
SCALE	
UNIT	mm
Seiko Instruments Inc.	

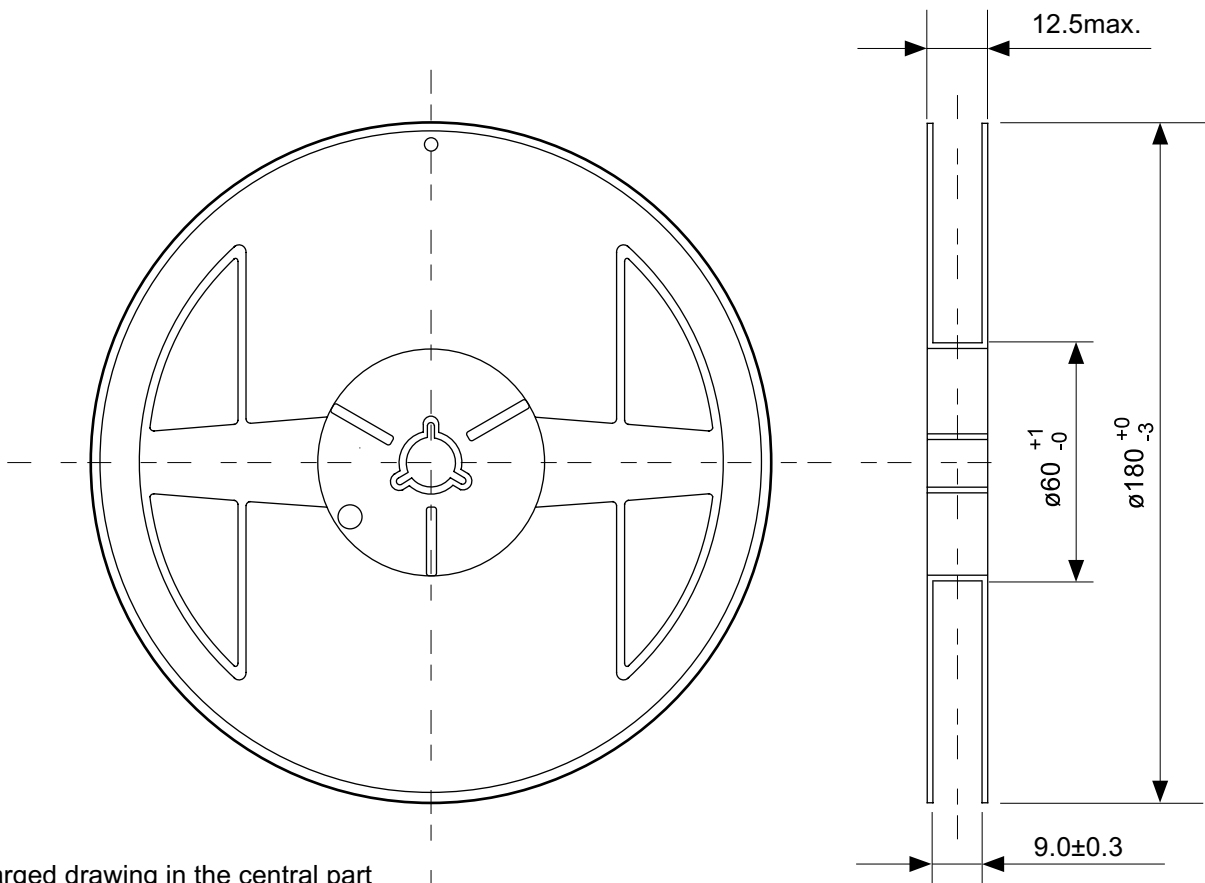


Feed direction

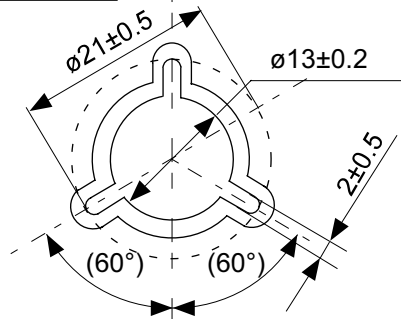
No. PI006-A-C-SD-1.0

TITLE	SNT-6A(H)-A-Carrier Tape
No.	PI006-A-C-SD-1.0
SCALE	
UNIT	mm
Seiko Instruments Inc.	



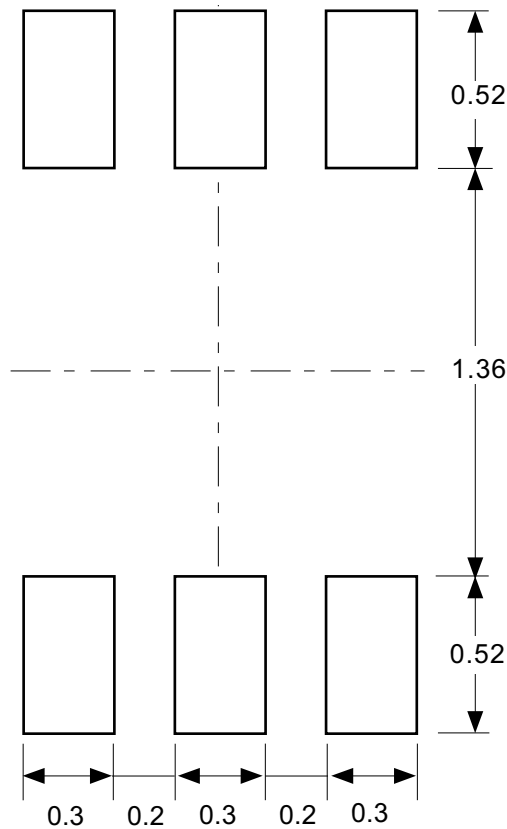


Enlarged drawing in the central part



No. PI006-A-R-SD-1.0

TITLE	SNT-6A(H)-A-Reel		
No.	PI006-A-R-SD-1.0		
SCALE		QTY.	5,000
UNIT	mm		
Seiko Instruments Inc.			



**Caution** Making the wire pattern under the package is possible. However, note that the package may be upraised due to the thickness made by the silk screen printing and of a solder resist on the pattern because this package does not have the standoff.

www.DataSheet4U.com

**注意** パッケージ下への配線パターン形成は可能ですが、本パッケージはスタンドオフが無いので、パターン上のレジスト厚み、シルク印刷の厚みによってパッケージが持ち上がる場合がありますのでご配慮ください。

No. PI006-A-L-SD-3.0

TITLE	SNT-6A(H)-A-Land Recommendation
No.	PI006-A-L-SD-3.0
SCALE	
UNIT	mm
Seiko Instruments Inc.	

- The information described herein is subject to change without notice.
- Seiko Instruments Inc. is not responsible for any problems caused by circuits or diagrams described herein whose related industrial properties, patents, or other rights belong to third parties. The application circuit examples explain typical applications of the products, and do not guarantee the success of any specific mass-production design.
- When the products described herein are regulated products subject to the Wassenaar Arrangement or other agreements, they may not be exported without authorization from the appropriate governmental authority.
- Use of the information described herein for other purposes and/or reproduction or copying without the express permission of Seiko Instruments Inc. is strictly prohibited.
- The products described herein cannot be used as part of any device or equipment affecting the human body, such as exercise equipment, medical equipment, security systems, gas equipment, or any apparatus installed in airplanes and other vehicles, without prior written permission of Seiko Instruments Inc.
- Although Seiko Instruments Inc. exerts the greatest possible effort to ensure high quality and reliability, the failure or malfunction of semiconductor products may occur. The user of these products should therefore give thorough consideration to safety design, including redundancy, fire-prevention measures, and malfunction prevention, to prevent any accidents, fires, or community damage that may ensue.