

**AUTOMOTIVE, 105°C OPERATION,
5.5 V INPUT, 150 mA VOLTAGE REGULATOR
WITH SOFT-START FUNCTION**

The S-19252 Series, developed by using CMOS process technology, is a positive voltage regulator with high-accuracy output voltage which incorporates the soft-start function. This IC has high ripple-rejection of 80 dB typ. and operates with low current consumption of 36 μ A typ.

The S-19252 Series incorporates the soft-start function to adjust the rising time of output voltage immediately after power-on or after the ON / OFF pin is set to ON. It also has a built-in overcurrent protection circuit to limit overcurrent of output transistor.

In addition to the conventional small packages SOT-23-5 and SC-82AB, the super-small package HSNT-4(1010)B is added to the lineup, which realizes higher-density mounting.

Caution This product can be used in vehicle equipment and in-vehicle equipment. Before using the product in the purpose, contact to ABLIC Inc. is indispensable.

■ Features

- Output voltage: 1.0 V to 3.6 V, selectable in 0.05 V step
- Input voltage: 1.5 V to 5.5 V
- Output voltage accuracy: ± 15 mV ($1.0 \text{ V} \leq V_{\text{OUT(S)}} < 1.5 \text{ V}$, $T_a = +25^\circ\text{C}$)
 $\pm 1.0\%$ ($1.5 \text{ V} \leq V_{\text{OUT(S)}} \leq 3.6 \text{ V}$, $T_a = +25^\circ\text{C}$)
 $\pm 3.0\%$ ($1.0 \text{ V} \leq V_{\text{OUT(S)}} \leq 3.6 \text{ V}$, $T_i = -40^\circ\text{C}$ to $+105^\circ\text{C}$)
- Current consumption: During operation: 36 μ A typ., 57 μ A max. ($T_i = -40^\circ\text{C}$ to $+105^\circ\text{C}$)
 During power-off: 0.1 μ A typ., 4.2 μ A max. ($T_i = -40^\circ\text{C}$ to $+105^\circ\text{C}$)
- Dropout voltage: 70 mV typ. (2.8 V output product, at $I_{\text{OUT}} = 100 \text{ mA}$)
- Output current: Possible to output 150 mA (at $V_{\text{IN}} \geq V_{\text{OUT(S)}} + 1.0 \text{ V}$)*1
- Ripple rejection: 70 dB typ. ($V_{\text{OUT(S)}} \leq 2.5 \text{ V}$, at $f = 10 \text{ kHz}$)
 80 dB typ. (at $f = 1.0 \text{ kHz}$)
- Input capacitor: A ceramic capacitor can be used. (1.0 μ F or more)
- Output capacitor: A ceramic capacitor can be used. (1.0 μ F or more)
- Built-in soft-start circuit: The rising time of output voltage immediately after power-on or after the ON / OFF pin is set to ON is adjustable.
 The soft-start time of SOT-23-5 can be switched to $t_{\text{SS0}} = 0.1 \text{ ms}$ typ. / $t_{\text{SS1}} = 1.0 \text{ ms}$ typ. with the SST pin.
 The soft-start time of SC-82AB is fixed to $t_{\text{SS0}} = 0.1 \text{ ms}$ typ.
 The soft-start time of HSNT-4(1010)B is fixed to either $t_{\text{SS0}} = 0.1 \text{ ms}$ typ. or $t_{\text{SS1}} = 1.0 \text{ ms}$ typ.
- Built-in overcurrent protection circuit: Limits overcurrent of output transistor.
- Built-in ON / OFF circuit: Ensures long battery life.
 Discharge shunt function "available" / "unavailable" is selectable.
 Pull-down function "available" / "unavailable" is selectable.
 $T_a = -40^\circ\text{C}$ to $+105^\circ\text{C}$
- Operation temperature range: $T_a = -40^\circ\text{C}$ to $+105^\circ\text{C}$
- Lead-free (Sn 100%), halogen-free
- AEC-Q100 qualified²

*1. Please make sure that the loss of the IC will not exceed the power dissipation when the output current is large.

*2. Contact our sales office for details.

■ Applications

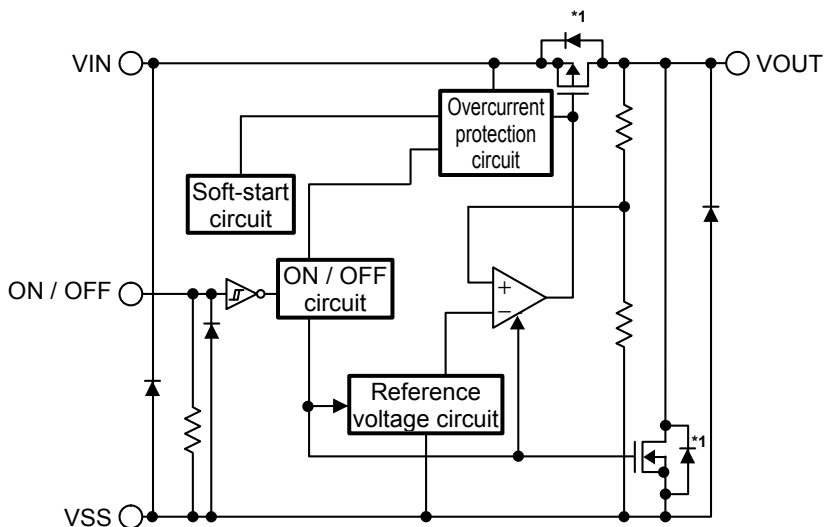
- For automotive use (meter, car body, headlight, ITS, accessory, car navigation system, car audio system, etc.)
 : SOT-23-5 package product, SC-82AB package product
- For automotive use (accessory, car navigation system, car audio system, etc.)
 : HSNT-4(1010)B package product

■ Packages

- SOT-23-5
- SC-82AB
- HSNT-4(1010)B

■ **Block Diagrams**

1. **S-19252 Series A / E type**

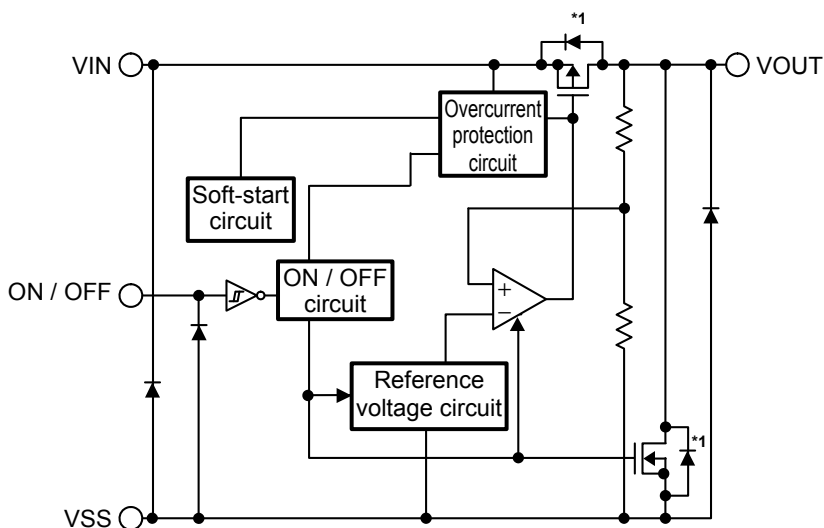


Function	Status
ON / OFF logic	Active "H"
Discharge shunt function	Available
Pull-down resistor	Available
Soft-start time (typ.)	A type: 0.1 ms E type: 1.0 ms

*1. Parasitic diode

Figure 1

2. **S-19252 Series B / F type**

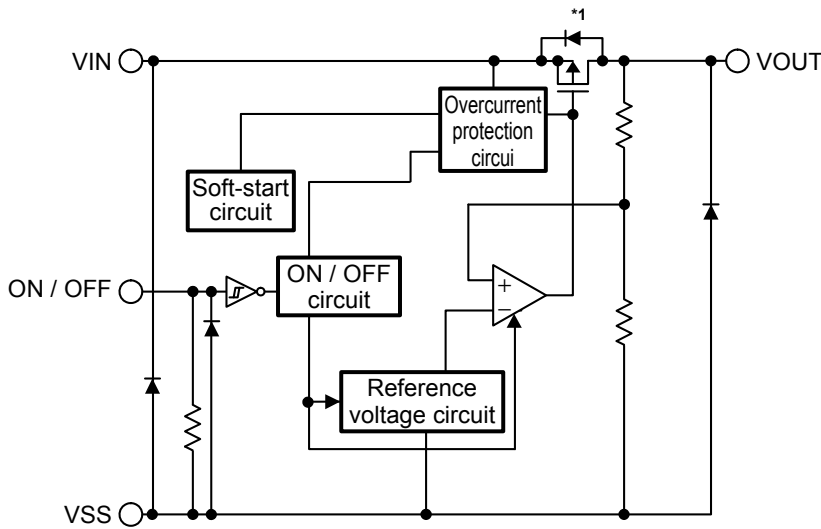


Function	Status
ON / OFF logic	Active "H"
Discharge shunt function	Available
Pull-down resistor	Unavailable
Soft-start time (typ.)	B type: 0.1 ms F type: 1.0 ms

*1. Parasitic diode

Figure 2

3. S-19252 Series C / G type

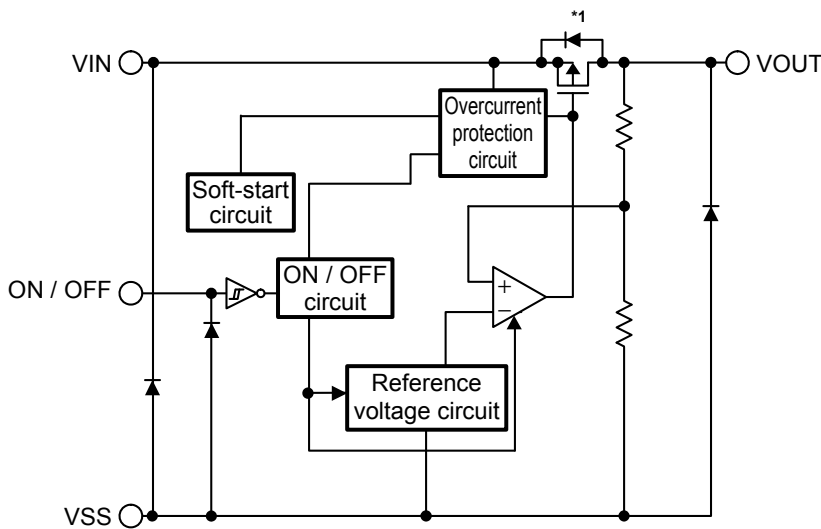


Function	Status
ON / OFF logic	Active "H"
Discharge shunt function	Unavailable
Pull-down resistor	Available
Soft-start time (typ.)	C type: 0.1 ms G type: 1.0 ms

*1. Parasitic diode

Figure 3

4. S-19252 Series D / H type

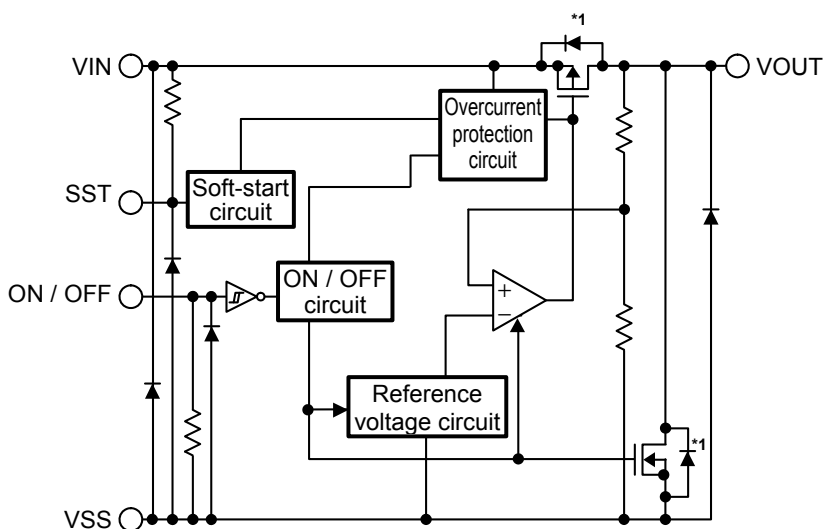


Function	Status
ON / OFF logic	Active "H"
Discharge shunt function	Unavailable
Pull-down resistor	Unavailable
Soft-start time (typ.)	D type: 0.1 ms H type: 1.0 ms

*1. Parasitic diode

Figure 4

5. S-19252 Series J type

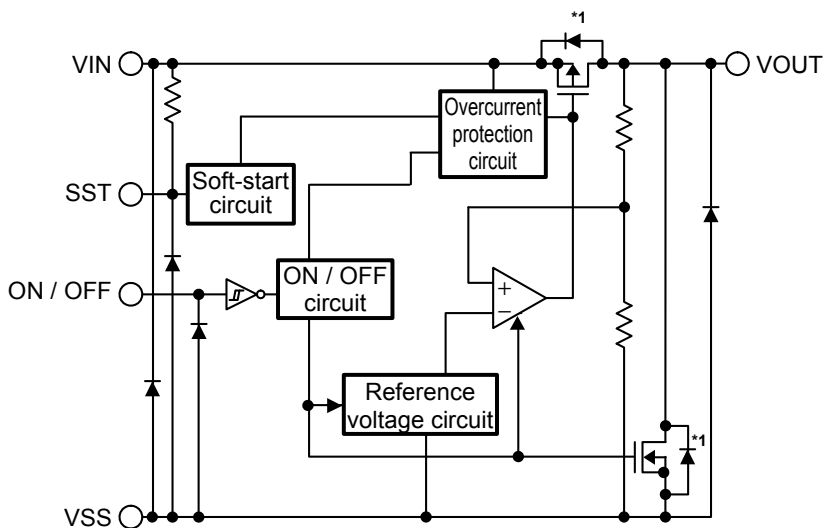


Function	Status
ON / OFF logic	Active "H"
Discharge shunt function	Available
Pull-down resistor	Available
Soft-start time (typ.)	0.1 ms / 1.0 ms (Switchable)

*1. Parasitic diode

Figure 5

6. S-19252 Series K type

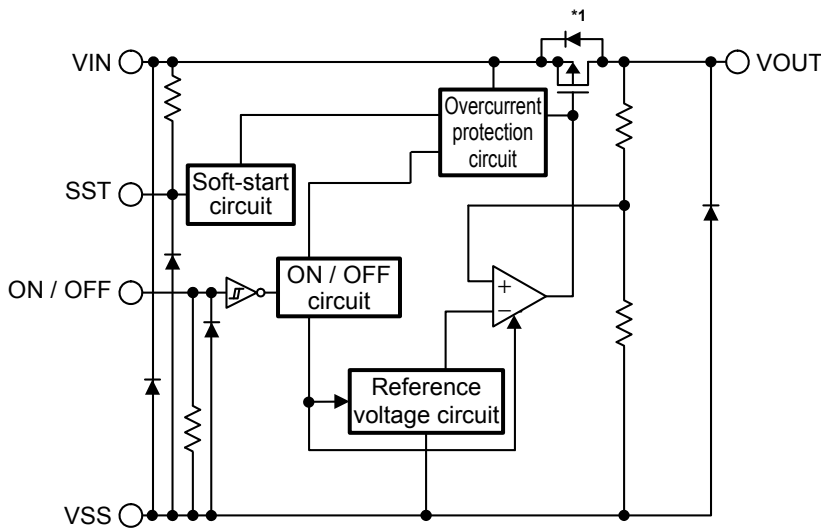


Function	Status
ON / OFF logic	Active "H"
Discharge shunt function	Available
Pull-down resistor	Unavailable
Soft-start time (typ.)	0.1 ms / 1.0 ms (Switchable)

*1. Parasitic diode

Figure 6

7. S-19252 Series L type

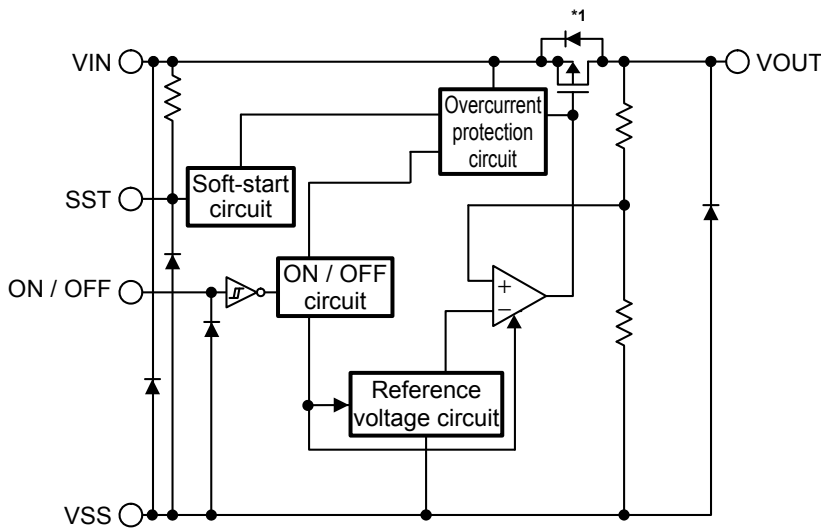


Function	Status
ON / OFF logic	Active "H"
Discharge shunt function	Unavailable
Pull-down resistor	Available
Soft-start time (typ.)	0.1 ms / 1.0 ms (Switchable)

*1. Parasitic diode

Figure 7

8. S-19252 Series M type



Function	Status
ON / OFF logic	Active "H"
Discharge shunt function	Unavailable
Pull-down resistor	Unavailable
Soft-start time (typ.)	0.1 ms / 1.0 ms (Switchable)

*1. Parasitic diode

Figure 8

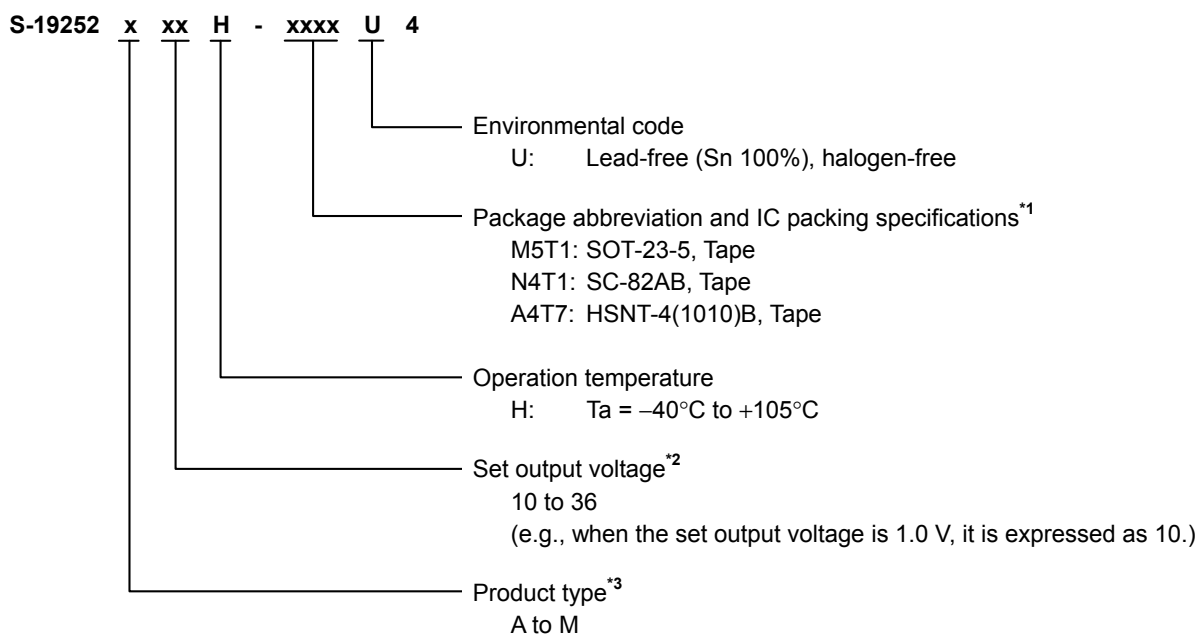
■ **AEC-Q100 Qualified**

This IC supports AEC-Q100 for operation temperature grade 2.
 Contact our sales office for details of AEC-Q100 reliability specification.

■ **Product Name Structure**

Users can select the product type, output voltage, and package type for the S-19252 Series. Refer to "1. **Product name**" regarding the contents of product name, "2. **Function list of product types**" regarding the product type, "3. **Packages**" regarding the package drawings, "4. **Product name list**" regarding details of the product name.

1. **Product name**



*1. Refer to the tape drawing.

*2. If you request the product which has 0.05 V step, contact our sales office.

*3. Refer to "2. **Function list of product types**".

2. Function list of product types

Table 1

Product Type	ON / OFF Logic	Discharge Shunt Function	Pull-down Resistor	Soft-start Time (typ.)	Package
A	Active "H"	Available	Available	0.1 ms	SC-82AB, HSNT-4(1010)B
B	Active "H"	Available	Unavailable	0.1 ms	SC-82AB, HSNT-4(1010)B
C	Active "H"	Unavailable	Available	0.1 ms	SC-82AB, HSNT-4(1010)B
D	Active "H"	Unavailable	Unavailable	0.1 ms	SC-82AB, HSNT-4(1010)B
E	Active "H"	Available	Available	1.0 ms	HSNT-4(1010)B
F	Active "H"	Available	Unavailable	1.0 ms	HSNT-4(1010)B
G	Active "H"	Unavailable	Available	1.0 ms	HSNT-4(1010)B
H	Active "H"	Unavailable	Unavailable	1.0 ms	HSNT-4(1010)B
J	Active "H"	Available	Available	0.1 ms / 1.0 ms (Switchable)	SOT-23-5
K	Active "H"	Available	Unavailable	0.1 ms / 1.0 ms (Switchable)	SOT-23-5
L	Active "H"	Unavailable	Available	0.1 ms / 1.0 ms (Switchable)	SOT-23-5
M	Active "H"	Unavailable	Unavailable	0.1 ms / 1.0 ms (Switchable)	SOT-23-5

3. Packages

Table 2 Package Drawing Codes

Package Name	Dimension	Tape	Reel	Land
SOT-23-5	MP005-A-P-SD	MP005-A-C-SD	MP005-A-R-SD	–
SC-82AB	NP004-A-P-SD	NP004-A-C-SD	NP004-A-R-SD	–
HSNT-4(1010)B	PL004-B-P-SD	PL004-B-C-SD	PL004-B-R-SD	PL004-B-L-SD

4. Product name list

4.1 S-19252 Series A type

ON / OFF logic: Active "H" Discharge shunt function: Available
 Pull-down resistor: Available Soft-start time: 0.1 ms typ.

Table 3

Output Voltage	SC-82AB	HSNT-4(1010)B
1.0 V ± 3.0%	S-19252A10H-N4T1U4	S-19252A10H-A4T7U4
1.2 V ± 3.0%	S-19252A12H-N4T1U4	S-19252A12H-A4T7U4
1.8 V ± 3.0%	S-19252A18H-N4T1U4	S-19252A18H-A4T7U4
2.5 V ± 3.0%	S-19252A25H-N4T1U4	S-19252A25H-A4T7U4
2.7 V ± 3.0%	S-19252A27H-N4T1U4	S-19252A27H-A4T7U4
2.8 V ± 3.0%	S-19252A28H-N4T1U4	S-19252A28H-A4T7U4
2.85 V ± 3.0%	S-19252A2JH-N4T1U4	S-19252A2JH-A4T7U4
2.9 V ± 3.0%	S-19252A29H-N4T1U4	S-19252A29H-A4T7U4
3.3 V ± 3.0%	S-19252A33H-N4T1U4	S-19252A33H-A4T7U4
3.6 V ± 3.0%	S-19252A36H-N4T1U4	S-19252A36H-A4T7U4

Remark Please contact our sales office for products with specifications other than the above.

4.2 S-19252 Series B type

ON / OFF logic: Active "H" Discharge shunt function: Available
 Pull-down resistor: Unavailable Soft-start time: 0.1 ms typ.

Table 4

Output Voltage	SC-82AB	HSNT-4(1010)B
1.0 V ± 3.0%	S-19252B10H-N4T1U4	S-19252B10H-A4T7U4
1.2 V ± 3.0%	S-19252B12H-N4T1U4	S-19252B12H-A4T7U4
1.8 V ± 3.0%	S-19252B18H-N4T1U4	S-19252B18H-A4T7U4
2.5 V ± 3.0%	S-19252B25H-N4T1U4	S-19252B25H-A4T7U4
2.7 V ± 3.0%	S-19252B27H-N4T1U4	S-19252B27H-A4T7U4
2.8 V ± 3.0%	S-19252B28H-N4T1U4	S-19252B28H-A4T7U4
2.85 V ± 3.0%	S-19252B2JH-N4T1U4	S-19252B2JH-A4T7U4
2.9 V ± 3.0%	S-19252B29H-N4T1U4	S-19252B29H-A4T7U4
3.3 V ± 3.0%	S-19252B33H-N4T1U4	S-19252B33H-A4T7U4
3.6 V ± 3.0%	S-19252B36H-N4T1U4	S-19252B36H-A4T7U4

Remark Please contact our sales office for products with specifications other than the above.

4.3 S-19252 Series C type

ON / OFF logic: Active "H" Discharge shunt function: Unavailable
 Pull-down resistor: Available Soft-start time: 0.1 ms typ.

Table 5

Output Voltage	SC-82AB	HSNT-4(1010)B
1.0 V ± 3.0%	S-19252C10H-N4T1U4	S-19252C10H-A4T7U4
1.2 V ± 3.0%	S-19252C12H-N4T1U4	S-19252C12H-A4T7U4
1.8 V ± 3.0%	S-19252C18H-N4T1U4	S-19252C18H-A4T7U4
2.5 V ± 3.0%	S-19252C25H-N4T1U4	S-19252C25H-A4T7U4
2.7 V ± 3.0%	S-19252C27H-N4T1U4	S-19252C27H-A4T7U4
2.8 V ± 3.0%	S-19252C28H-N4T1U4	S-19252C28H-A4T7U4
2.85 V ± 3.0%	S-19252C2JH-N4T1U4	S-19252C2JH-A4T7U4
2.9 V ± 3.0%	S-19252C29H-N4T1U4	S-19252C29H-A4T7U4
3.3 V ± 3.0%	S-19252C33H-N4T1U4	S-19252C33H-A4T7U4
3.6 V ± 3.0%	S-19252C36H-N4T1U4	S-19252C36H-A4T7U4

Remark Please contact our sales office for products with specifications other than the above.

4.4 S-19252 Series D type

ON / OFF logic: Active "H" Discharge shunt function: Unavailable
 Pull-down resistor: Unavailable Soft-start time: 0.1 ms typ.

Table 6

Output Voltage	SC-82AB	HSNT-4(1010)B
1.0 V ± 3.0%	S-19252D10H-N4T1U4	S-19252D10H-A4T7U4
1.2 V ± 3.0%	S-19252D12H-N4T1U4	S-19252D12H-A4T7U4
1.8 V ± 3.0%	S-19252D18H-N4T1U4	S-19252D18H-A4T7U4
2.5 V ± 3.0%	S-19252D25H-N4T1U4	S-19252D25H-A4T7U4
2.7 V ± 3.0%	S-19252D27H-N4T1U4	S-19252D27H-A4T7U4
2.8 V ± 3.0%	S-19252D28H-N4T1U4	S-19252D28H-A4T7U4
2.85 V ± 3.0%	S-19252D2JH-N4T1U4	S-19252D2JH-A4T7U4
2.9 V ± 3.0%	S-19252D29H-N4T1U4	S-19252D29H-A4T7U4
3.3 V ± 3.0%	S-19252D33H-N4T1U4	S-19252D33H-A4T7U4
3.6 V ± 3.0%	S-19252D36H-N4T1U4	S-19252D36H-A4T7U4

Remark Please contact our sales office for products with specifications other than the above.

4.5 S-19252 Series E type

ON / OFF logic: Active "H" Discharge shunt function: Available
 Pull-down resistor: Available Soft-start time: 1.0 ms typ.

Table 7

Output Voltage	HSNT-4(1010)B
1.0 V ± 3.0%	S-19252E10H-A4T7U4
1.2 V ± 3.0%	S-19252E12H-A4T7U4
1.8 V ± 3.0%	S-19252E18H-A4T7U4
2.5 V ± 3.0%	S-19252E25H-A4T7U4
2.7 V ± 3.0%	S-19252E27H-A4T7U4
2.8 V ± 3.0%	S-19252E28H-A4T7U4
2.85 V ± 3.0%	S-19252E2JH-A4T7U4
2.9 V ± 3.0%	S-19252E29H-A4T7U4
3.3 V ± 3.0%	S-19252E33H-A4T7U4
3.6 V ± 3.0%	S-19252E36H-A4T7U4

Remark Please contact our sales office for products with specifications other than the above.

4.6 S-19252 Series F type

ON / OFF logic: Active "H" Discharge shunt function: Available
 Pull-down resistor: Unavailable Soft-start time: 1.0 ms typ.

Table 8

Output Voltage	HSNT-4(1010)B
1.0 V ± 3.0%	S-19252F10H-A4T7U4
1.2 V ± 3.0%	S-19252F12H-A4T7U4
1.8 V ± 3.0%	S-19252F18H-A4T7U4
2.5 V ± 3.0%	S-19252F25H-A4T7U4
2.7 V ± 3.0%	S-19252F27H-A4T7U4
2.8 V ± 3.0%	S-19252F28H-A4T7U4
2.85 V ± 3.0%	S-19252F2JH-A4T7U4
2.9 V ± 3.0%	S-19252F29H-A4T7U4
3.3 V ± 3.0%	S-19252F33H-A4T7U4
3.6 V ± 3.0%	S-19252F36H-A4T7U4

Remark Please contact our sales office for products with specifications other than the above.

4.7 S-19252 Series G type

ON / OFF logic: Active "H" Discharge shunt function: Unavailable
 Pull-down resistor: Available Soft-start time: 1.0 ms typ.

Table 9

Output Voltage	HSNT-4(1010)B
1.0 V ± 3.0%	S-19252G10H-A4T7U4
1.2 V ± 3.0%	S-19252G12H-A4T7U4
1.8 V ± 3.0%	S-19252G18H-A4T7U4
2.5 V ± 3.0%	S-19252G25H-A4T7U4
2.7 V ± 3.0%	S-19252G27H-A4T7U4
2.8 V ± 3.0%	S-19252G28H-A4T7U4
2.85 V ± 3.0%	S-19252G2JH-A4T7U4
2.9 V ± 3.0%	S-19252G29H-A4T7U4
3.3 V ± 3.0%	S-19252G33H-A4T7U4
3.6 V ± 3.0%	S-19252G36H-A4T7U4

Remark Please contact our sales office for products with specifications other than the above.

4.8 S-19252 Series H type

ON / OFF logic: Active "H" Discharge shunt function: Unavailable
 Pull-down resistor: Unavailable Soft-start time: 1.0 ms typ.

Table 10

Output Voltage	HSNT-4(1010)B
1.0 V ± 3.0%	S-19252H10H-A4T7U4
1.2 V ± 3.0%	S-19252H12H-A4T7U4
1.8 V ± 3.0%	S-19252H18H-A4T7U4
2.5 V ± 3.0%	S-19252H25H-A4T7U4
2.7 V ± 3.0%	S-19252H27H-A4T7U4
2.8 V ± 3.0%	S-19252H28H-A4T7U4
2.85 V ± 3.0%	S-19252H2JH-A4T7U4
2.9 V ± 3.0%	S-19252H29H-A4T7U4
3.3 V ± 3.0%	S-19252H33H-A4T7U4
3.6 V ± 3.0%	S-19252H36H-A4T7U4

Remark Please contact our sales office for products with specifications other than the above.

4.9 S-19252 Series J type

ON / OFF logic: Active "H" Discharge shunt function: Available
 Pull-down resistor: Available Soft-start time: 0.1 ms typ. / 1.0 ms typ. (Switchable)

Table 11

Output Voltage	SOT-23-5
1.0 V ± 3.0%	S-19252J10H-M5T1U4
1.2 V ± 3.0%	S-19252J12H-M5T1U4
1.8 V ± 3.0%	S-19252J18H-M5T1U4
2.5 V ± 3.0%	S-19252J25H-M5T1U4
2.7 V ± 3.0%	S-19252J27H-M5T1U4
2.8 V ± 3.0%	S-19252J28H-M5T1U4
2.85 V ± 3.0%	S-19252J2JH-M5T1U4
2.9 V ± 3.0%	S-19252J29H-M5T1U4
3.3 V ± 3.0%	S-19252J33H-M5T1U4
3.6 V ± 3.0%	S-19252J36H-M5T1U4

Remark Please contact our sales office for products with specifications other than the above.

4.10 S-19252 Series K type

ON / OFF logic: Active "H" Discharge shunt function: Available
 Pull-down resistor: Unavailable Soft-start time: 0.1 ms typ. / 1.0 ms typ. (Switchable)

Table 12

Output Voltage	SOT-23-5
1.0 V ± 3.0%	S-19252K10H-M5T1U4
1.2 V ± 3.0%	S-19252K12H-M5T1U4
1.8 V ± 3.0%	S-19252K18H-M5T1U4
2.5 V ± 3.0%	S-19252K25H-M5T1U4
2.7 V ± 3.0%	S-19252K27H-M5T1U4
2.8 V ± 3.0%	S-19252K28H-M5T1U4
2.85 V ± 3.0%	S-19252K2JH-M5T1U4
2.9 V ± 3.0%	S-19252K29H-M5T1U4
3.3 V ± 3.0%	S-19252K33H-M5T1U4
3.6 V ± 3.0%	S-19252K36H-M5T1U4

Remark Please contact our sales office for products with specifications other than the above.

4.11 S-19252 Series L type

ON / OFF logic: Active "H" Discharge shunt function: Unavailable
 Pull-down resistor: Available Soft-start time: 0.1 ms typ. / 1.0 ms typ. (Switchable)

Table 13

Output Voltage	SOT-23-5
1.0 V ± 3.0%	S-19252L10H-M5T1U4
1.2 V ± 3.0%	S-19252L12H-M5T1U4
1.8 V ± 3.0%	S-19252L18H-M5T1U4
2.5 V ± 3.0%	S-19252L25H-M5T1U4
2.7 V ± 3.0%	S-19252L27H-M5T1U4
2.8 V ± 3.0%	S-19252L28H-M5T1U4
2.85 V ± 3.0%	S-19252L2JH-M5T1U4
2.9 V ± 3.0%	S-19252L29H-M5T1U4
3.3 V ± 3.0%	S-19252L33H-M5T1U4
3.6 V ± 3.0%	S-19252L36H-M5T1U4

Remark Please contact our sales office for products with specifications other than the above.

4.12 S-19252 Series M type

ON / OFF logic: Active "H" Discharge shunt function: Unavailable
 Pull-down resistor: Unavailable Soft-start time: 0.1 ms typ. / 1.0 ms typ. (Switchable)

Table 14

Output Voltage	SOT-23-5
1.0 V ± 3.0%	S-19252M10H-M5T1U4
1.2 V ± 3.0%	S-19252M12H-M5T1U4
1.8 V ± 3.0%	S-19252M18H-M5T1U4
2.5 V ± 3.0%	S-19252M25H-M5T1U4
2.7 V ± 3.0%	S-19252M27H-M5T1U4
2.8 V ± 3.0%	S-19252M28H-M5T1U4
2.85 V ± 3.0%	S-19252M2JH-M5T1U4
2.9 V ± 3.0%	S-19252M29H-M5T1U4
3.3 V ± 3.0%	S-19252M33H-M5T1U4
3.6 V ± 3.0%	S-19252M36H-M5T1U4

Remark Please contact our sales office for products with specifications other than the above.

■ Pin Configurations

1. SOT-23-5

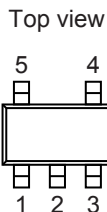


Figure 9

Table 15

Pin No.	Symbol	Description
1	VIN	Input voltage pin
2	VSS	GND pin
3	ON / OFF	ON / OFF pin
4	SST	Switching pin for soft-start time "H": $t_{SS0} = 0.1$ ms typ. "L": $t_{SS1} = 1.0$ ms typ.
5	VOUT	Output voltage pin

Remark The soft-start time can be switched to $t_{SS0} = 0.1$ ms typ. / $t_{SS1} = 1.0$ ms typ. with the SST pin.
Refer to "2. Function list of product types" in "■ Product Name Structure" for details.

2. SC-82AB

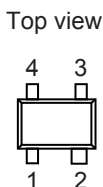


Figure 10

Table 16

Pin No.	Symbol	Description
1	ON / OFF	ON / OFF pin
2	VSS	GND pin
3	VOUT	Output voltage pin
4	VIN	Input voltage pin

Remark The soft-start time is fixed to $t_{SS0} = 0.1$ ms typ.
Refer to "2. Function list of product types" in "■ Product Name Structure" for details.

3. HSNT-4(1010)B

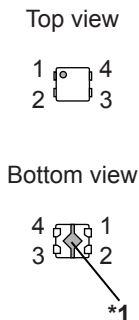


Figure 11

Table 17

Pin No.	Symbol	Description
1	VOUT	Output voltage pin
2	VSS	GND pin
3	ON / OFF	ON / OFF pin
4	VIN	Input voltage pin

*1. Connect the heat sink of backside at shadowed area to the board, and set electric potential GND.
However, do not use it as the function of electrode.

Remark The soft-start time is fixed to either $t_{SS0} = 0.1$ ms typ. or $t_{SS1} = 1.0$ ms typ.
Refer to "2. Function list of product types" in "■ Product Name Structure" for details.

■ Absolute Maximum Ratings

Table 18

(Ta = +25°C unless otherwise specified)

Item	Symbol	Absolute Maximum Rating	Unit
Input voltage	V _{IN}	V _{SS} - 0.3 to V _{SS} + 6.0	V
	V _{ON/OFF}	V _{SS} - 0.3 to V _{SS} + 6.0	V
	V _{SST}	V _{SS} - 0.3 to V _{SS} + 6.0	V
Output voltage	V _{OUT}	V _{SS} - 0.3 to V _{IN} + 0.3 ≤ V _{SS} + 6.0	V
Output current	I _{OUT}	200	mA
Junction temperature	T _j	-40 to +125	°C
Operation ambient temperature	T _{opr}	-40 to +105	°C
Storage temperature	T _{stg}	-40 to +125	°C

Caution The absolute maximum ratings are rated values exceeding which the product could suffer physical damage. These values must therefore not be exceeded under any conditions.

■ Thermal Resistance Value

Table 19

Item	Symbol	Condition	Min.	Typ.	Max.	Unit	
Junction-to-ambient thermal resistance ^{*1}	θ _{JA}	SOT-23-5	Board A	-	192	-	°C/W
			Board B	-	160	-	°C/W
			Board C	-	-	-	°C/W
			Board D	-	-	-	°C/W
			Board E	-	-	-	°C/W
		SC-82AB	Board A	-	236	-	°C/W
			Board B	-	204	-	°C/W
			Board C	-	-	-	°C/W
			Board D	-	-	-	°C/W
			Board E	-	-	-	°C/W
		HSNT-4(1010)B	Board A	-	378	-	°C/W
			Board B	-	317	-	°C/W
			Board C	-	-	-	°C/W
			Board D	-	-	-	°C/W
			Board E	-	-	-	°C/W

*1. Test environment: compliance with JEDEC STANDARD JESD51-2A

Remark Refer to "■ Power Dissipation" and "Test Board" for details.

■ **Electrical Characteristics**

1. **S-19252 Series A / B / C / D / E / F / G / H type**

Table 20

($T_j = -40^\circ\text{C}$ to $+105^\circ\text{C}$ unless otherwise specified)

Item	Symbol	Condition	Min.	Typ.	Max.	Unit	Test Circuit	
Output voltage*1	$V_{\text{OUT(E)}}$	$V_{\text{IN}} = V_{\text{OUT(S)}} + 1.0 \text{ V}$, $I_{\text{OUT}} = 30 \text{ mA}$, $T_a = +25^\circ\text{C}$	$1.0 \text{ V} \leq V_{\text{OUT(S)}} < 1.5 \text{ V}$	$V_{\text{OUT(S)}} - 0.015$	$V_{\text{OUT(S)}}$	$V_{\text{OUT(S)}} + 0.015$	V	1
			$1.5 \text{ V} \leq V_{\text{OUT(S)}} \leq 3.6 \text{ V}$	$V_{\text{OUT(S)}} \times 0.99$	$V_{\text{OUT(S)}}$	$V_{\text{OUT(S)}} \times 1.01$	V	1
			$V_{\text{IN}} = V_{\text{OUT(S)}} + 1.0 \text{ V}$, $I_{\text{OUT}} = 30 \text{ mA}$	$V_{\text{OUT(S)}} \times 0.97$	$V_{\text{OUT(S)}}$	$V_{\text{OUT(S)}} \times 1.03$	V	1
Output current*2	I_{OUT}	$V_{\text{IN}} \geq V_{\text{OUT(S)}} + 1.0 \text{ V}$	150^{*4}	–	–	mA	3	
Dropout voltage*3	V_{drop}	$I_{\text{OUT}} = 100 \text{ mA}$, $T_a = +25^\circ\text{C}$	$1.0 \text{ V} \leq V_{\text{OUT(S)}} < 1.1 \text{ V}$	0.500	0.540	0.626	V	1
			$1.1 \text{ V} \leq V_{\text{OUT(S)}} < 1.2 \text{ V}$	–	0.425	0.500	V	1
			$1.2 \text{ V} \leq V_{\text{OUT(S)}} < 1.3 \text{ V}$	–	0.315	0.372	V	1
			$1.3 \text{ V} \leq V_{\text{OUT(S)}} < 1.4 \text{ V}$	–	0.214	0.254	V	1
			$1.4 \text{ V} \leq V_{\text{OUT(S)}} < 1.5 \text{ V}$	–	0.124	0.167	V	1
			$1.5 \text{ V} \leq V_{\text{OUT(S)}} < 1.7 \text{ V}$	–	0.104	0.157	V	1
			$1.7 \text{ V} \leq V_{\text{OUT(S)}} < 2.0 \text{ V}$	–	0.094	0.140	V	1
			$2.0 \text{ V} \leq V_{\text{OUT(S)}} < 2.5 \text{ V}$	–	0.084	0.127	V	1
		$2.5 \text{ V} \leq V_{\text{OUT(S)}} < 2.8 \text{ V}$	–	0.077	0.117	V	1	
		$2.8 \text{ V} \leq V_{\text{OUT(S)}} \leq 3.6 \text{ V}$	–	0.070	0.103	V	1	
Line regulation	$\frac{\Delta V_{\text{OUT1}}}{\Delta V_{\text{IN}} \cdot V_{\text{OUT}}}$	$V_{\text{OUT(S)}} + 0.5 \text{ V} \leq V_{\text{IN}} \leq 5.5 \text{ V}$, $I_{\text{OUT}} = 30 \text{ mA}$	–	0.05	0.2	%/V	1	
Load regulation	ΔV_{OUT2}	$V_{\text{IN}} = V_{\text{OUT(S)}} + 1.0 \text{ V}$, $1 \text{ mA} \leq I_{\text{OUT}} \leq 150 \text{ mA}$, $T_a = +25^\circ\text{C}$	–	15	40	mV	1	
Current consumption during operation	I_{SS1}	$V_{\text{IN}} = V_{\text{OUT(S)}} + 1.0 \text{ V}$, ON / OFF pin = ON, no load	–	36	57	μA	2	
Current consumption during power-off	I_{SS2}	$V_{\text{IN}} = V_{\text{OUT(S)}} + 1.0 \text{ V}$, ON / OFF pin = OFF, no load	–	0.1	4.2	μA	2	
Input voltage	V_{IN}	–	1.5	–	5.5	V	–	
ON / OFF pin input voltage "H"	V_{SH}	$V_{\text{IN}} = V_{\text{OUT(S)}} + 1.0 \text{ V}$, $R_L = 1.0 \text{ k}\Omega$ determined by V_{OUT} output level	1.0	–	–	V	4	
ON / OFF pin input voltage "L"	V_{SL}	$V_{\text{IN}} = V_{\text{OUT(S)}} + 1.0 \text{ V}$, $R_L = 1.0 \text{ k}\Omega$ determined by V_{OUT} output level	–	–	0.3	V	4	
ON / OFF pin input current "H"	I_{SH}	$V_{\text{IN}} = 5.5 \text{ V}$, $V_{\text{ON / OFF}} = 5.5 \text{ V}$	B / D / F / H type (without pull-down resistor)	–0.1	–	0.1	μA	4
			A / C / E / G type (with pull-down resistor)	1.0	2.5	5.4	μA	4
ON / OFF pin input current "L"	I_{SL}	$V_{\text{IN}} = 5.5 \text{ V}$, $V_{\text{ON / OFF}} = 0 \text{ V}$	–0.1	–	0.1	μA	4	
Ripple rejection	$ RR $	$V_{\text{IN}} = V_{\text{OUT(S)}} + 1.0 \text{ V}$, $f = 10 \text{ kHz}$, $\Delta V_{\text{rip}} = 0.5 \text{ Vrms}$, $I_{\text{OUT}} = 30 \text{ mA}$	$1.0 \text{ V} \leq V_{\text{OUT(S)}} \leq 2.5 \text{ V}$	–	70	–	dB	5
			$2.5 \text{ V} < V_{\text{OUT(S)}} \leq 3.6 \text{ V}$	–	65	–	dB	5
		$V_{\text{IN}} = V_{\text{OUT(S)}} + 1.0 \text{ V}$, $f = 1.0 \text{ kHz}$, $\Delta V_{\text{rip}} = 0.5 \text{ Vrms}$, $I_{\text{OUT}} = 30 \text{ mA}$	$1.0 \text{ V} \leq V_{\text{OUT(S)}} \leq 3.6 \text{ V}$	–	80	–	dB	5
Short-circuit current	I_{short}	$V_{\text{IN}} = V_{\text{OUT(S)}} + 1.0 \text{ V}$, ON / OFF pin = ON, $V_{\text{OUT}} = 0 \text{ V}$, $T_a = +25^\circ\text{C}$	–	50	–	mA	3	
Soft-start time*5	t_{SS0}	$V_{\text{IN}} = V_{\text{OUT(S)}} + 1.0 \text{ V}$, $I_{\text{OUT}} = 1 \text{ mA}$, $C_L = 1.0 \mu\text{F}$, $t_r = 1.0 \mu\text{s}$	A / B / C / D type (0.1 ms typ.)	0.08	0.1	0.14	ms	1
	t_{SS1}		E / F / G / H type (1.0 ms typ.)	0.65	1.0	1.45	ms	1
Discharge shunt resistance during power-off	R_{LOW}	$V_{\text{IN}} = 5.5 \text{ V}$, $V_{\text{OUT}} = 0.1 \text{ V}$	A / B / E / F type (with discharge shunt function)	–	35	–	Ω	6
Power-off pull-down resistance	R_{PD}	–	A / C / E / G type (with pull-down resistor)	1.0	2.2	5.5	M Ω	4

- *1. $V_{OUT(S)}$: Set output voltage
 $V_{OUT(E)}$: Actual output voltage
The output voltage when $V_{IN} = V_{OUT(S)} + 1.0 \text{ V}$, $I_{OUT} = 30 \text{ mA}$
- *2. The output current at which the output voltage becomes 95% of $V_{OUT(E)}$ after gradually increasing the output current.
- *3. $V_{drop} = V_{IN1} - (V_{OUT3} \times 0.98)$
 V_{IN1} is the input voltage at which the output voltage becomes 98% of V_{OUT3} after gradually decreasing the input voltage.
 V_{OUT3} is the output voltage when $V_{IN} = V_{OUT(S)} + 1.0 \text{ V}$ and $I_{OUT} = 100 \text{ mA}$.
- *4. Due to limitation of the power dissipation, this value may not be satisfied. Attention should be paid to the power dissipation when the output current is large.
This specification is guaranteed by design.
- *5. Soft-start time shows the time period from when the input voltage reaches 50% until the output voltage rises to 99%, immediately after power-on or when the ON / OFF pin is set to ON ($t_r = 1.0 \mu\text{s}$). Refer to "8. **Soft-start function**" in "■ **Operation**" for details.

2. S-19252 Series J / K / L / M type

Table 21

($T_i = -40^\circ\text{C}$ to $+105^\circ\text{C}$ unless otherwise specified)

Item	Symbol	Condition	Min.	Typ.	Max.	Unit	Test Circuit	
Output voltage* ¹	$V_{\text{OUT(E)}}$	$V_{\text{IN}} = V_{\text{OUT(S)}} + 1.0 \text{ V}$, $I_{\text{OUT}} = 30 \text{ mA}$, $T_a = +25^\circ\text{C}$	$1.0 \text{ V} \leq V_{\text{OUT(S)}} < 1.5 \text{ V}$	$V_{\text{OUT(S)}} - 0.015$	$V_{\text{OUT(S)}}$	$V_{\text{OUT(S)}} + 0.015$	V	7
			$1.5 \text{ V} \leq V_{\text{OUT(S)}} \leq 3.6 \text{ V}$	$V_{\text{OUT(S)}} \times 0.99$	$V_{\text{OUT(S)}}$	$V_{\text{OUT(S)}} \times 1.01$	V	7
			$V_{\text{IN}} = V_{\text{OUT(S)}} + 1.0 \text{ V}$, $I_{\text{OUT}} = 30 \text{ mA}$	$V_{\text{OUT(S)}} \times 0.97$	$V_{\text{OUT(S)}}$	$V_{\text{OUT(S)}} \times 1.03$	V	7
Output current* ²	I_{OUT}	$V_{\text{IN}} \geq V_{\text{OUT(S)}} + 1.0 \text{ V}$	150* ⁴	–	–	mA	9	
Dropout voltage* ³	V_{drop}	$I_{\text{OUT}} = 100 \text{ mA}$, $T_a = +25^\circ\text{C}$	$1.0 \text{ V} \leq V_{\text{OUT(S)}} < 1.1 \text{ V}$	0.500	0.540	0.626	V	7
			$1.1 \text{ V} \leq V_{\text{OUT(S)}} < 1.2 \text{ V}$	–	0.425	0.500	V	7
			$1.2 \text{ V} \leq V_{\text{OUT(S)}} < 1.3 \text{ V}$	–	0.315	0.372	V	7
			$1.3 \text{ V} \leq V_{\text{OUT(S)}} < 1.4 \text{ V}$	–	0.214	0.254	V	7
			$1.4 \text{ V} \leq V_{\text{OUT(S)}} < 1.5 \text{ V}$	–	0.124	0.167	V	7
			$1.5 \text{ V} \leq V_{\text{OUT(S)}} < 1.7 \text{ V}$	–	0.104	0.157	V	7
			$1.7 \text{ V} \leq V_{\text{OUT(S)}} < 2.0 \text{ V}$	–	0.094	0.140	V	7
			$2.0 \text{ V} \leq V_{\text{OUT(S)}} < 2.5 \text{ V}$	–	0.084	0.127	V	7
			$2.5 \text{ V} \leq V_{\text{OUT(S)}} < 2.8 \text{ V}$	–	0.077	0.117	V	7
		$2.8 \text{ V} \leq V_{\text{OUT(S)}} \leq 3.6 \text{ V}$	–	0.070	0.103	V	7	
Line regulation	$\frac{\Delta V_{\text{OUT1}}}{\Delta V_{\text{IN}} \cdot V_{\text{OUT}}}$	$V_{\text{OUT(S)}} + 0.5 \text{ V} \leq V_{\text{IN}} \leq 5.5 \text{ V}$, $I_{\text{OUT}} = 30 \text{ mA}$	–	0.05	0.2	%/V	7	
Load regulation	ΔV_{OUT2}	$V_{\text{IN}} = V_{\text{OUT(S)}} + 1.0 \text{ V}$, $1 \text{ mA} \leq I_{\text{OUT}} \leq 150 \text{ mA}$, $T_a = +25^\circ\text{C}$	–	15	40	mV	7	
Current consumption during operation	I_{SS1}	$V_{\text{IN}} = V_{\text{OUT(S)}} + 1.0 \text{ V}$, ON / OFF pin = ON, no load	–	36	57	μA	8	
Current consumption during power-off	I_{SS2}	$V_{\text{IN}} = V_{\text{OUT(S)}} + 1.0 \text{ V}$, ON / OFF pin = OFF, no load	–	0.1	4.2	μA	8	
Input voltage	V_{IN}	–	1.5	–	5.5	V	–	
ON / OFF pin input voltage "H"	V_{SH}	$V_{\text{IN}} = V_{\text{OUT(S)}} + 1.0 \text{ V}$, $R_L = 1.0 \text{ k}\Omega$ determined by V_{OUT} output level	1.0	–	–	V	10	
ON / OFF pin input voltage "L"	V_{SL}	$V_{\text{IN}} = V_{\text{OUT(S)}} + 1.0 \text{ V}$, $R_L = 1.0 \text{ k}\Omega$ determined by V_{OUT} output level	–	–	0.3	V	10	
ON / OFF pin input current "H"	I_{SH}	$V_{\text{IN}} = 5.5 \text{ V}$, $V_{\text{ON / OFF}} = 5.5 \text{ V}$	K / M type (without pull-down resistor)	–0.1	–	0.1	μA	10
			J / L type (with pull-down resistor)	1.0	2.5	5.4	μA	10
ON / OFF pin input current "L"	I_{SL}	$V_{\text{IN}} = 5.5 \text{ V}$, $V_{\text{ON / OFF}} = 0 \text{ V}$	–0.1	–	0.1	μA	10	
Ripple rejection	RR	$V_{\text{IN}} = V_{\text{OUT(S)}} + 1.0 \text{ V}$, $f = 10 \text{ kHz}$, $\Delta V_{\text{rip}} = 0.5 \text{ Vrms}$, $I_{\text{OUT}} = 30 \text{ mA}$	$1.0 \text{ V} \leq V_{\text{OUT(S)}} \leq 2.5 \text{ V}$	–	70	–	dB	11
			$2.5 \text{ V} < V_{\text{OUT(S)}} \leq 3.6 \text{ V}$	–	65	–	dB	11
		$V_{\text{IN}} = V_{\text{OUT(S)}} + 1.0 \text{ V}$, $f = 1.0 \text{ kHz}$, $\Delta V_{\text{rip}} = 0.5 \text{ Vrms}$, $I_{\text{OUT}} = 30 \text{ mA}$	$1.0 \text{ V} \leq V_{\text{OUT(S)}} \leq 3.6 \text{ V}$	–	80	–	dB	11
Short-circuit current	I_{short}	$V_{\text{IN}} = V_{\text{OUT(S)}} + 1.0 \text{ V}$, ON / OFF pin = ON, $V_{\text{OUT}} = 0 \text{ V}$, $T_a = +25^\circ\text{C}$	–	50	–	mA	9	
Soft-start time* ⁵	t_{SS0}	$V_{\text{IN}} = V_{\text{OUT(S)}} + 1.0 \text{ V}$, $I_{\text{OUT}} = 1 \text{ mA}$, $C_L = 1.0 \mu\text{F}$, $t_r = 1.0 \mu\text{s}$	$V_{\text{SST}} = \text{"H"}$	0.08	0.1	0.14	ms	7
	t_{SS1}		$V_{\text{SST}} = \text{"L"}$	0.65	1.0	1.45	ms	7
Discharge shunt resistance during power-off	R_{LOW}	$V_{\text{IN}} = 5.5 \text{ V}$, $V_{\text{OUT}} = 0.1 \text{ V}$	J / K type (with discharge shunt function)	–	35	–	Ω	12
Power-off pull-down resistance	R_{PD}	–	J / L type (with pull-down resistor)	1.0	2.2	5.5	M Ω	10
SST pin input voltage "H"	V_{SH2}	$V_{\text{IN}} = V_{\text{ON / OFF}} = V_{\text{OUT(S)}} + 1.0 \text{ V}$, $R_L = 1.0 \text{ k}\Omega$, determined by V_{OUT} output level	1.0	–	–	V	10	
SST pin input voltage "L"	V_{SL2}	$V_{\text{IN}} = V_{\text{ON / OFF}} = V_{\text{OUT(S)}} + 1.0 \text{ V}$, $R_L = 1.0 \text{ k}\Omega$, determined by V_{OUT} output level	–	–	0.3	V	10	
SST pin input current "H"	I_{SH2}	$V_{\text{IN}} = 5.5 \text{ V}$, $V_{\text{SST}} = 5.5 \text{ V}$	–0.1	–	0.1	μA	10	
SST pin input current "L"	I_{SL2}	$V_{\text{IN}} = 5.5 \text{ V}$, $V_{\text{SST}} = 0 \text{ V}$	1.0	2.5	5.4	μA	10	
SST pin pull-up resistance	R_{PU}	–	1.0	2.2	5.5	M Ω	10	

- *1. $V_{OUT(S)}$: Set output voltage
 $V_{OUT(E)}$: Actual output voltage
The output voltage when $V_{IN} = V_{OUT(S)} + 1.0 \text{ V}$, $I_{OUT} = 30 \text{ mA}$
- *2. The output current at which the output voltage becomes 95% of $V_{OUT(E)}$ after gradually increasing the output current.
- *3. $V_{drop} = V_{IN1} - (V_{OUT3} \times 0.98)$
 V_{IN1} is the input voltage at which the output voltage becomes 98% of V_{OUT3} after gradually decreasing the input voltage.
 V_{OUT3} is the output voltage when $V_{IN} = V_{OUT(S)} + 1.0 \text{ V}$ and $I_{OUT} = 100 \text{ mA}$.
- *4. Due to limitation of the power dissipation, this value may not be satisfied. Attention should be paid to the power dissipation when the output current is large.
This specification is guaranteed by design.
- *5. Soft-start time shows the time period from when the input voltage reaches 50% until the output voltage rises to 99%, immediately after power-on or when the ON / OFF pin is set to ON ($t_r = 1.0 \mu\text{s}$). Refer to "8. **Soft-start function**" in "■ **Operation**" for details.

■ **Test Circuits**

1. **S-19252 Series A / B / C / D / E / F / G / H type**

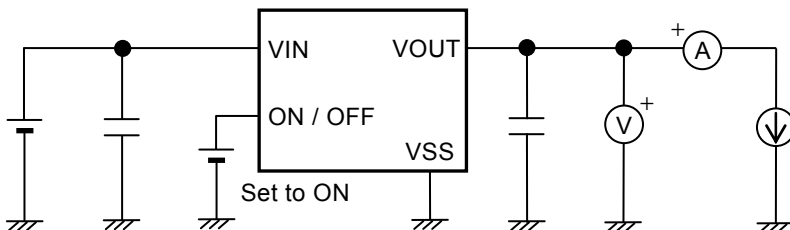


Figure 12 Test Circuit 1

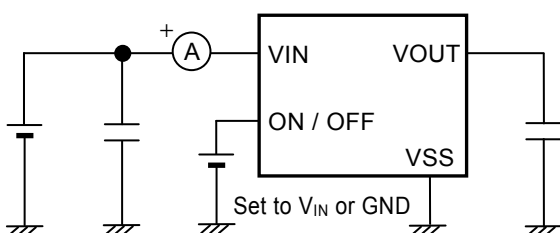


Figure 13 Test Circuit 2

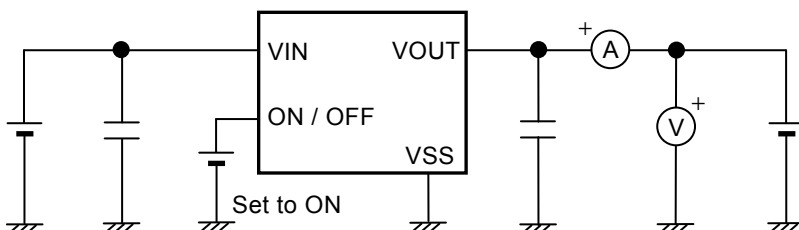


Figure 14 Test Circuit 3

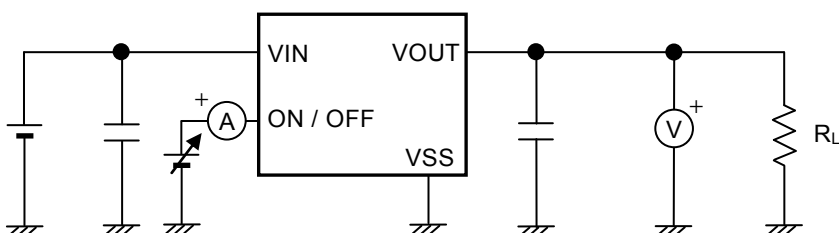


Figure 15 Test Circuit 4

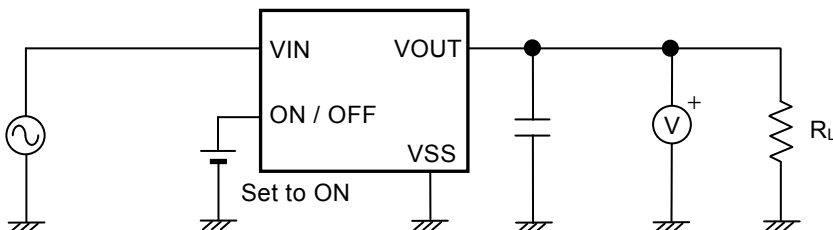


Figure 16 Test Circuit 5

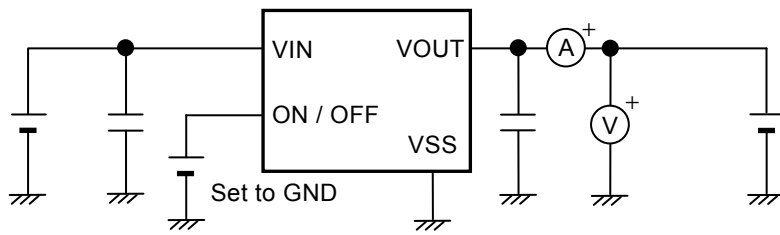


Figure 17 Test Circuit 6

2. S-19252 Series J / K / L / M type

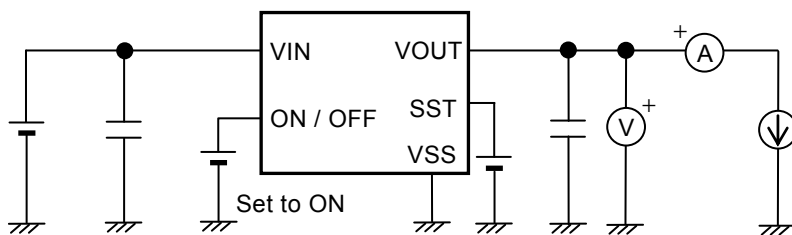


Figure 18 Test Circuit 7

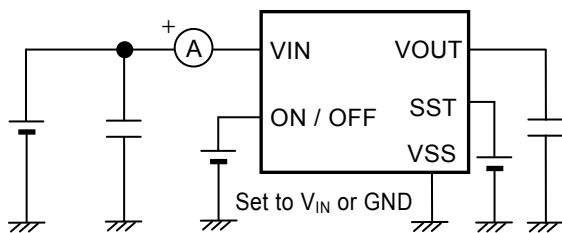


Figure 19 Test Circuit 8

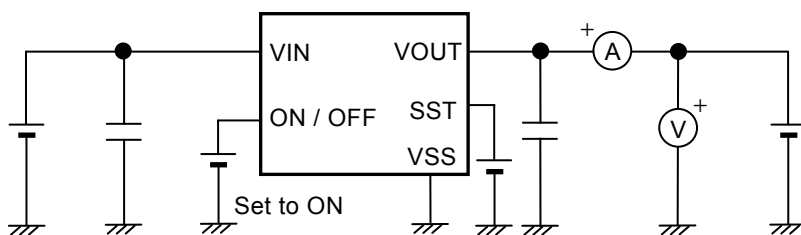


Figure 20 Test Circuit 9

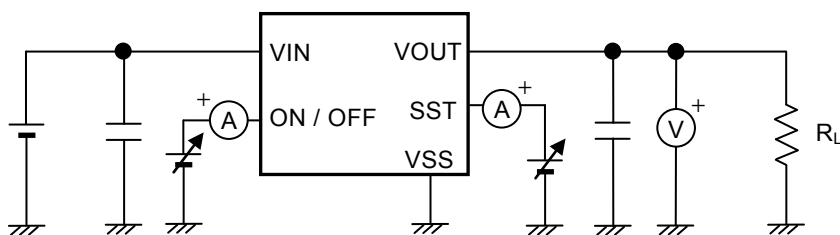


Figure 21 Test Circuit 10

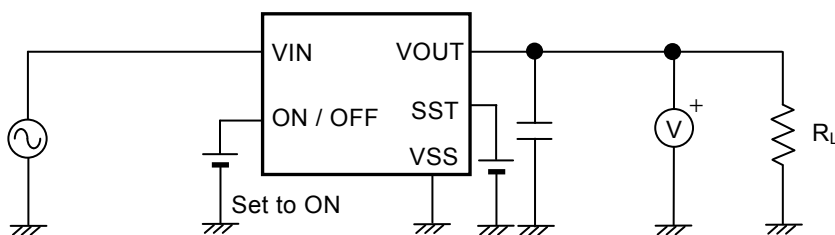


Figure 22 Test Circuit 11

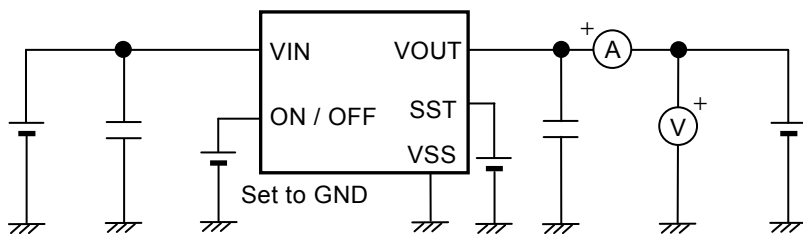
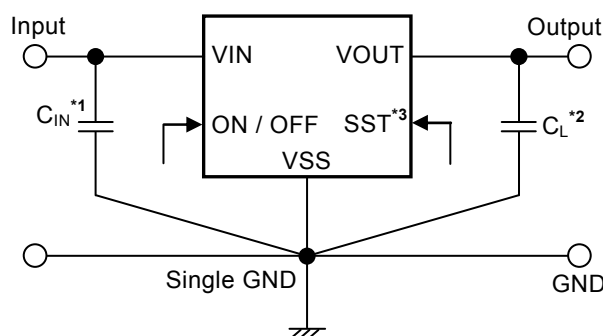


Figure 23 Test Circuit 12

■ Standard Circuit



- *1. C_{IN} is a capacitor for stabilizing the input.
- *2. C_L is a capacitor for stabilizing the output.
- *3. S-19252 Series J / K / L / M type only.

Figure 24

Caution The above connection diagram and constants will not guarantee successful operation. Perform thorough evaluation including the temperature characteristics with an actual application to set the constants.

■ Condition of Application

- Input capacitor (C_{IN}): A ceramic capacitor with capacitance of 1.0 μF or more is recommended.
- Output capacitor (C_L): A ceramic capacitor with capacitance of 1.0 μF or more is recommended.

Caution Generally, in a voltage regulator, an oscillation may occur depending on the selection of the external parts. Perform thorough evaluation including the temperature characteristics with an actual application using the above capacitors to confirm no oscillation occurs.

■ Selection of Input Capacitor (C_{IN}) and Output Capacitor (C_L)

The S-19252 Series requires C_L between the VOUT pin and the VSS pin for phase compensation. The operation is stabilized by a ceramic capacitor with capacitance of 1.0 μF or more. When using an OS capacitor, a tantalum capacitor or an aluminum electrolytic capacitor, the capacitance also must be 1.0 μF or more. However, an oscillation may occur depending on the equivalent series resistance (ESR).

Moreover, the S-19252 Series requires C_{IN} between the VIN pin and the VSS pin for a stable operation.

Generally, an oscillation may occur when a voltage regulator is used under the condition that the impedance of the power supply is high.

Note that the output voltage transient characteristics vary depending on the capacitance of C_{IN} and C_L and the value of ESR.

Caution Perform thorough evaluation including the temperature characteristics with an actual application to select C_{IN} and C_L .

■ Explanation of Terms

1. Low dropout voltage regulator

This voltage regulator has the low dropout voltage due to its built-in low on-resistance transistor.

2. Output voltage (V_{OUT})

This voltage is output at an accuracy of $\pm 3.0\%$ when the input voltage, the output current and the temperature are in a certain condition*1.

*1. Differs depending on the product.

Caution If the certain condition is not satisfied, the output voltage may exceed the accuracy range of $\pm 3.0\%$. Refer to "■ Electrical Characteristics" and "■ Characteristics (Typical Data)" for details.

3. Line regulation $\left(\frac{\Delta V_{OUT1}}{\Delta V_{IN} \cdot V_{OUT}} \right)$

Indicates the dependency of the output voltage on the input voltage. That is, the values show how much the output voltage changes due to a change in the input voltage with the output current remaining unchanged.

4. Load regulation (ΔV_{OUT2})

Indicates the dependency of the output voltage on the output current. That is, the values show how much the output voltage changes due to a change in the output current with the input voltage remaining unchanged.

5. Dropout voltage (V_{drop})

Indicates the difference between input voltage (V_{IN1}) and the output voltage when the output voltage becomes 98% of the output voltage value (V_{OUT3}) at $V_{IN} = V_{OUT(S)} + 1.0$ V after the input voltage (V_{IN}) is decreased gradually.

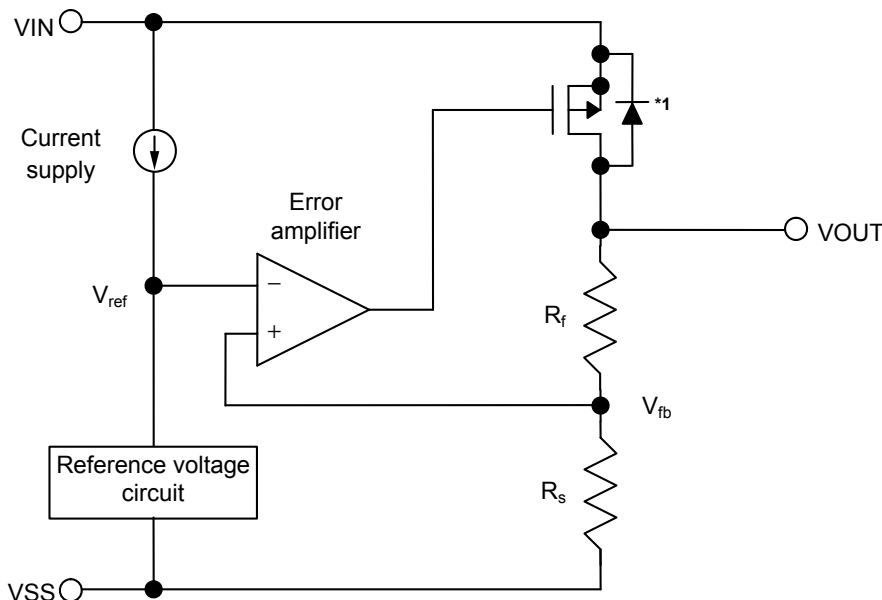
$$V_{drop} = V_{IN1} - (V_{OUT3} \times 0.98)$$

■ **Operation**

1. **Basic operation**

Figure 25 shows the block diagram of the S-19252 Series to describe the basic operation.

The error amplifier compares the feedback voltage (V_{fb}) whose output voltage (V_{OUT}) is divided by the feedback resistors (R_s and R_f) with the reference voltage (V_{ref}). The error amplifier controls the output transistor, consequently, the regulator starts the operation that keeps V_{OUT} constant without the influence of the input voltage (V_{IN}).



*1. Parasitic diode

Figure 25

2. **Output transistor**

In the S-19252 Series, a low on-resistance P-channel MOS FET is used between the VIN pin and the VOUT pin as the output transistor. In order to keep V_{OUT} constant, the on-resistance of the output transistor varies appropriately according to the output current (I_{OUT}).

Caution Since a parasitic diode exists between the VIN pin and the VOUT pin due to the structure of the transistor, the IC may be damaged by a reverse current if V_{OUT} becomes higher than V_{IN} . Therefore, be sure that V_{OUT} does not exceed $V_{IN} + 0.3$ V.

3. ON / OFF pin

The ON / OFF pin controls the internal circuit and the output transistor in order to start and stop the regulator. When the ON / OFF pin is set to OFF, the internal circuit stops operating and the output transistor between the VIN pin and the VOUT pin is turned off, reducing current consumption significantly.

Note that the current consumption increases when a voltage of 0.25 V to $V_{IN} - 0.3$ V is applied to the ON / OFF pin. The ON / OFF pin is configured as shown in **Figure 26** and **Figure 27**.

3.1 S-19252 Series A / C / E / G / J / L type

The ON / OFF pin is internally pulled down to the VSS pin in the floating status, so the VOUT pin is set to the V_{SS} level.

For the ON / OFF pin current, refer to the ON / OFF pin input current "H" in **Table 20** and **Table 21** in "■ Electrical Characteristics".

3.2 S-19252 Series B / D / F / H / K / M type

The ON / OFF pin is internally not pulled up or pulled down, so do not use this pin in the floating status. When not using the ON / OFF pin, connect the pin to the VIN pin.

Table 22

Product Type	ON / OFF Pin	Internal Circuit	VOUT Pin Voltage	Current Consumption
A / B / C / D / E / F / G / H / J / K / L / M	"H": ON	Operate	Constant value*1	I_{SS1} *2
A / B / C / D / E / F / G / H / J / K / L / M	"L": OFF	Stop	Pulled down to V_{SS} *3	I_{SS2}

*1. The constant value is output due to the regulating based on the set output voltage value.

*2. Note that the IC's current consumption increases as much as current flows into the pull-down resistor when the ON / OFF pin is connected to the VIN pin and the S-19252 Series A / C / E / G / J / L type is operating (refer to **Figure 26**).

*3. The VOUT pin voltage of the S-19252 Series A / B / E / F / J / K type is pulled down to V_{SS} due to combined resistance ($R_{LOW} = 35 \Omega$ typ.) of the discharge shunt circuit and the feedback resistors, and a load.

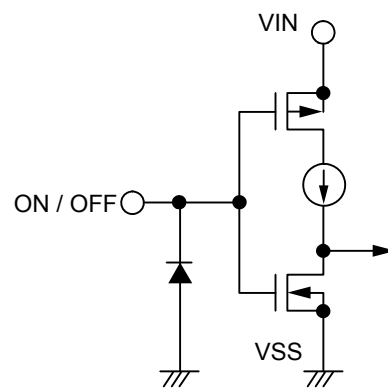
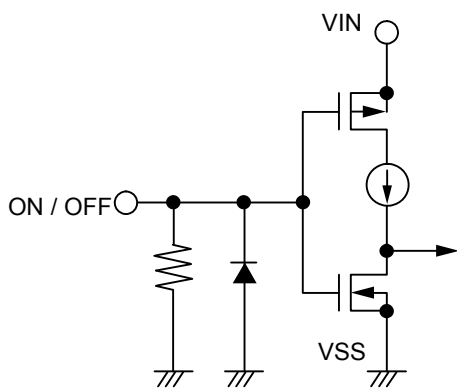


Figure 26 S-19252 Series A / C / E / G / J / L Type

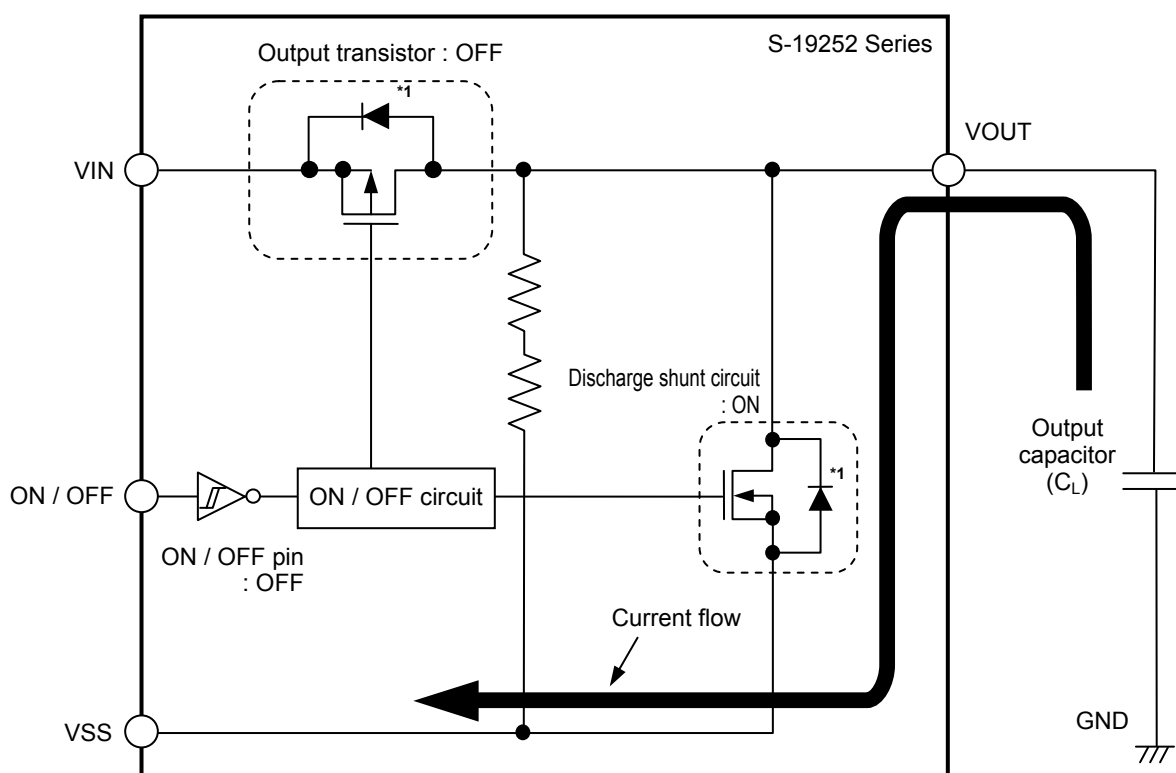
Figure 27 S-19252 Series B / D / F / H / K / M Type

4. Discharge shunt function (S-19252 Series A / B / E / F / J / K type)

The S-19252 Series A / B / E / F / J / K type has a built-in discharge shunt circuit to discharge the output capacitance. The output capacitance is discharged as follows so that the VOUT pin reaches the V_{SS} level.

- (1) The ON / OFF pin is set to OFF level.
- (2) The output transistor is turned off.
- (3) The discharge shunt circuit is turned on.
- (4) The output capacitor discharges.

Since the S-19252 Series C / D / G / H / L / M type does not have a discharge shunt circuit, the VOUT pin is set to the V_{SS} level through several hundred kΩ internal divided resistors between the VOUT pin and the VSS pin. The S-19252 Series A / B / E / F / J / K type allows the VOUT pin to reach the V_{SS} level rapidly due to the discharge shunt circuit.



*1. Parasitic diode

Figure 28

5. Pull-down resistor (S-19252 Series A / C / E / G / J / L type)

The ON / OFF pin is internally pulled down to the VSS pin in the floating status, so the VOUT pin is set to the V_{SS} level.

Note that the IC's current consumption increases as much as current flows into the pull-down resistor of 2.2 MΩ typ. when the ON / OFF pin is connected to the VIN pin and the S-19252 Series A / C / E / G / J / L type is operating.

6. Overcurrent protection circuit

The S-19252 Series has a built-in overcurrent protection circuit to limit the overcurrent of the output transistor. When the VOUT pin is shorted to the VSS pin, that is, at the time of the output short-circuit, the output current is limited to 50 mA typ. due to the overcurrent protection circuit operation. The S-19252 Series restarts regulating when the output transistor is released from the overcurrent status.

Caution This overcurrent protection circuit does not work as for thermal protection. For example, when the output transistor keeps the overcurrent status long at the time of output short-circuit or due to other reasons, pay attention to the conditions of the input voltage and the load current so as not to exceed the power dissipation.

7. SST pin (S-19252 Series J / K / L / M type only)

In the S-19252 Series J / K / L / M type, the soft-start time can be switched with the SST pin. The soft-start time is set to 0.1 ms typ. if "H" is input to the SST pin, and set to 1.0 ms typ. if "L" is input to the SST pin. Refer to "8. 2 Switching of soft-start time (S-19252 Series J / K / L / M type only)" for details.

The SST pin is configured as shown in Figure 29.

Since the SST pin is pulled up by the VIN pin internally, the soft-start time is fixed to 0.1 ms typ. on floating status.

Note that the current consumption increases when a voltage of 0.3 V to 1.0 V is applied to the SST pin.

Note that the IC's current consumption increases as much as current flows into the pull-up resistor of 2.2 MΩ typ. when the SST pin is connected to the VSS pin and the S-19252 Series J / K / L / M type is operating (refer to Figure 29).

Table 23

SST Pin Input	Soft-start Time (typ.)
"H"	0.1 ms
"L"	1.0 ms

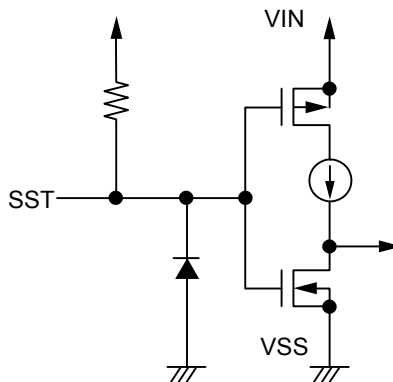


Figure 29 S-19252 Series J / K / L / M type

8. Soft-start function

8.1 Basic operation

The S-19252 Series has a built-in soft-start circuit to suppress the inrush current and overshoot of the output voltage generated at power-on or at the time when the ON / OFF pin is set to ON. Immediately after power-on or after the ON / OFF pin is set to ON, the output voltage slowly rises.

Immediately after power-on or when the ON / OFF pin is set to ON ($t_r = 1.0 \mu s$), the soft-start time (t_{ss}) is the time period from when the input voltage reaches 50% until the output voltage rises to 99%.

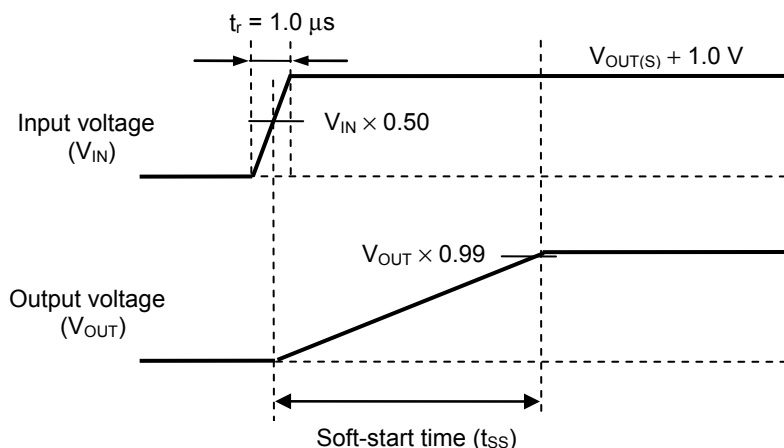


Figure 30 Basic Operation

The inrush current can be suppressed greatly by the soft-start function.

Figure 31 shows the waveform example of the inrush current.

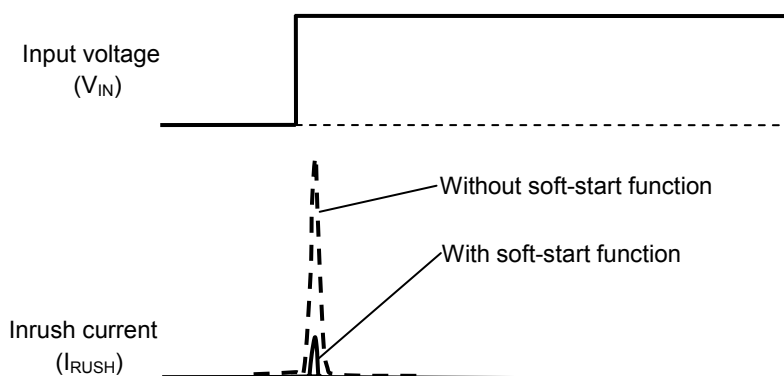


Figure 31 Waveform Example of Inrush Current

8.2 Switching of soft-start time (S-19252 Series J / K / L / M type only)

In the S-19252 Series J / K / L / M type, the soft-start time can be switched to $t_{SS0} = 0.1 \text{ ms typ.}$ / $t_{SS1} = 1.0 \text{ ms typ.}$ with the SST pin.

However, the soft-start time (t_{SS}) is as follows when the SST pin is switched within the soft-start time $t_{SS0} = 0.1 \text{ ms typ.}$ / $t_{SS1} = 1.0 \text{ ms typ.}$

8.2.1 When SST pin voltage (V_{SST}) is switched from "H" to "L"

The soft-start time (t_{SS}) is calculated by using the following equation.

$$t_{SS} = t_{SS0}' + t_{SS1} \times \{1 - V_{OUT(E)'} / (V_{OUT(E)} \times 0.99)\}$$

t_{SS0}' : The time period that V_{SST} is switched from "H" to "L" after power-on

t_{SS1} : The soft-start time when $V_{SST} = \text{"L"}$

$V_{OUT(E)'}$: The output voltage when V_{SST} is switched from "H" to "L"

$V_{OUT(E)}$: The output voltage after the end of the soft-start time

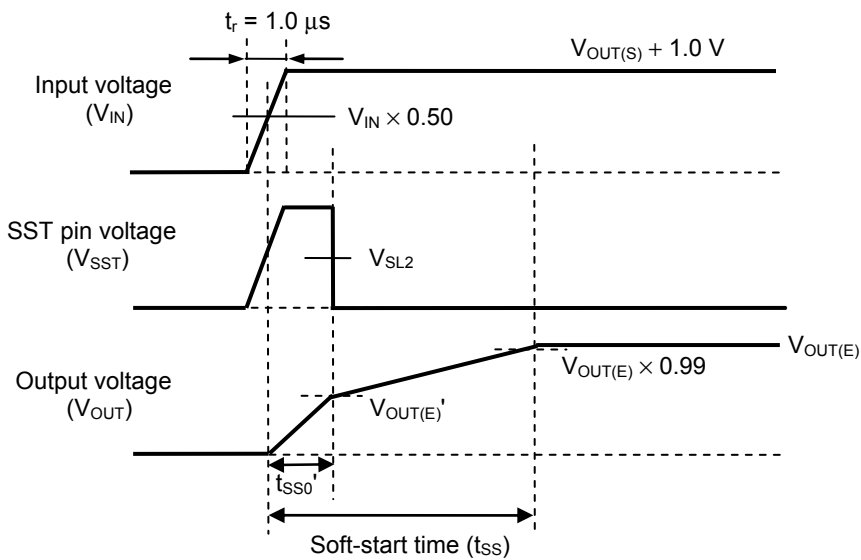


Figure 32 $V_{SST} = \text{"H"} \rightarrow \text{"L"}$

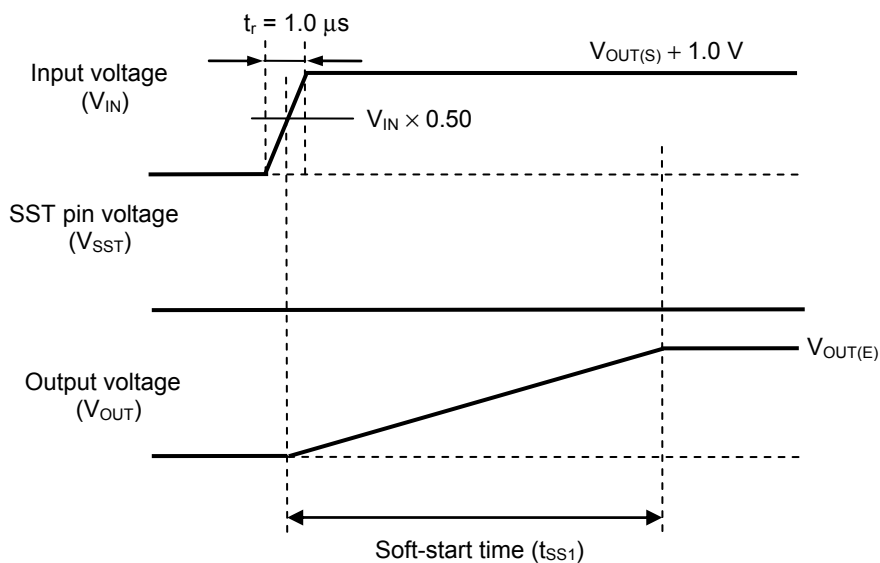


Figure 33 $V_{SST} = \text{"L"}$

8. 2. 2 When SST pin voltage (V_{SST}) is switched from "L" to "H"

The soft-start time (t_{SS}) is calculated by using the following equation.

$$t_{SS} = t_{SS1}' + t_{SS0} \times \{1 - V_{OUT(E)'} / (V_{OUT(E)} \times 0.99)\}$$

t_{SS1}' : The time period that V_{SST} is switched from "L" to "H" after power-on

t_{SS0} : The soft-start time when $V_{SST} = "H"$

$V_{OUT(E)'}$: The output voltage when V_{SST} is switched from "L" to "H"

$V_{OUT(E)}$: The output voltage after the end of the soft-start time

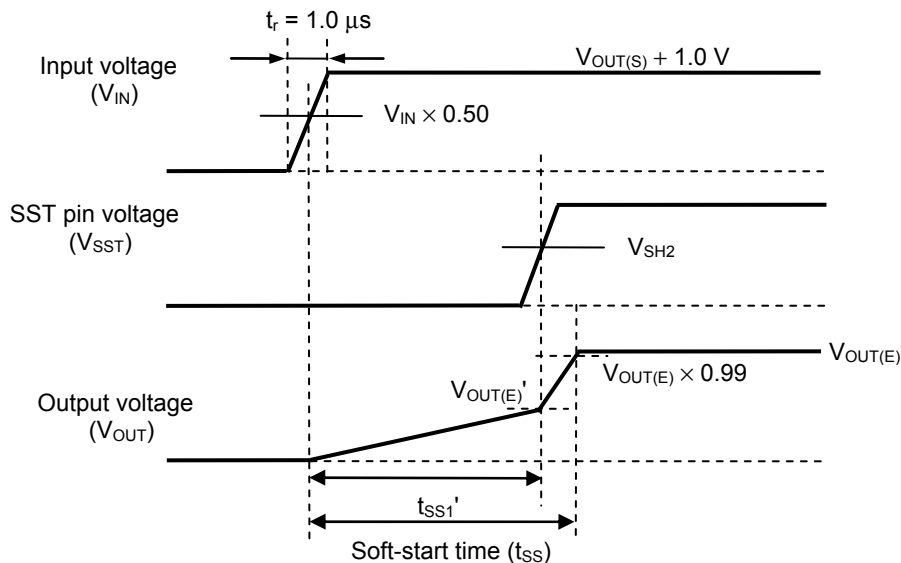


Figure 34 $V_{SST} = "L" \rightarrow "H"$

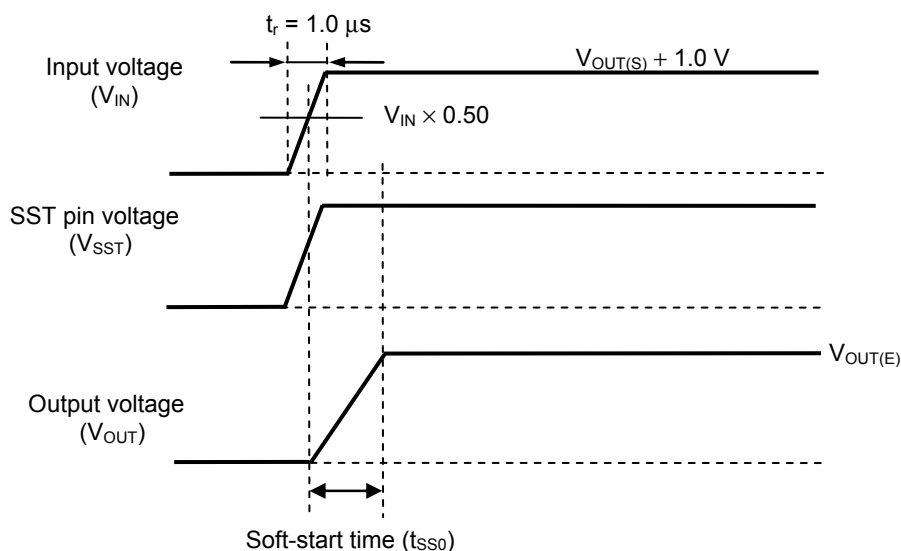


Figure 35 $V_{SST} = "H"$

■ Precautions

- Generally, when a voltage regulator is used under the condition that the load current value is small (1.0 mA or less), the output voltage may increase due to the leakage current of an output transistor.
- Generally, when a voltage regulator is used under the condition that the temperature is high, the output voltage may increase due to the leakage current of an output transistor.
- Generally, when the ON / OFF pin is used under the condition of OFF, the output voltage may increase due to the leakage current of an output transistor.
- Generally, when a voltage regulator is used under the condition that the impedance of the power supply is high, an oscillation may occur. Perform thorough evaluation including the temperature characteristics with an actual application to select C_{IN} .
- Generally, in a voltage regulator, an oscillation may occur depending on the selection of the external parts. The following use conditions are recommended in the S-19252 Series, however, perform thorough evaluation including the temperature characteristics with an actual application to select C_{IN} and C_L .

Input capacitor (C_{IN}): A ceramic capacitor with capacitance of 1.0 μ F or more is recommended.

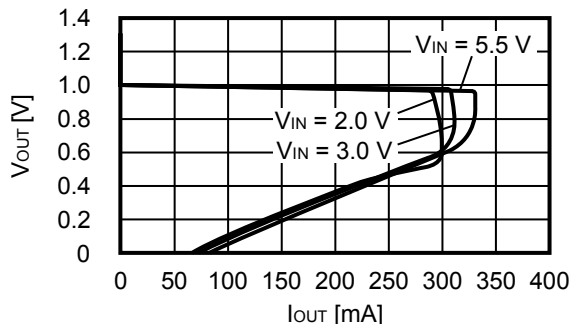
Output capacitor (C_L): A ceramic capacitor with capacitance of 1.0 μ F or more is recommended.

- Generally, in a voltage regulator, the values of an overshoot and an undershoot in the output voltage vary depending on the variation factors of input voltage start-up, input voltage fluctuation and load fluctuation etc., or the capacitance of C_{IN} or C_L and the value of the equivalent series resistance (ESR), which may cause a problem to the stable operation. Perform thorough evaluation including the temperature characteristics with an actual application to select C_{IN} and C_L .
- Generally, in a voltage regulator, an overshoot may occur in the output voltage momentarily if the input voltage steeply changes when the input voltage is started up or the input voltage fluctuates etc. Perform thorough evaluation including the temperature characteristics with an actual application to confirm no problems happen.
- Generally, in a voltage regulator, if the VOUT pin is steeply shorted with GND, a negative voltage exceeding the absolute maximum ratings may occur in the VOUT pin due to resonance phenomenon of the inductance and the capacitance including C_L on the application. The resonance phenomenon is expected to be weakened by inserting a series resistor into the resonance path, and the negative voltage is expected to be limited by inserting a protection diode between the VOUT pin and the VSS pin.
- Make sure of the conditions for the input voltage, output voltage and the load current so that the internal loss does not exceed the power dissipation.
- Do not apply an electrostatic discharge to this IC that exceeds the performance ratings of the built-in electrostatic protection circuit.
- When considering the output current value that the IC is able to output, make sure of the output current value specified in **Table 20** and **Table 21** in "■ Electrical Characteristics" and footnote *4 of the table.
- Wiring patterns on the application related to the VIN pin, the VOUT pin and the VSS pin should be designed so that the impedance is low. When mounting C_{IN} between the VIN pin and the VSS pin and C_L between the VOUT pin and the VSS pin, connect the capacitors as close as possible to the respective destination pins of the IC.
- In the package equipped with heat sink of backside, mount the heat sink firmly. Since the heat radiation differs according to the condition of the application, perform thorough evaluation with an actual application to confirm no problems happen.
- ABLIC Inc. claims no responsibility for any disputes arising out of or in connection with any infringement by products including this IC of patents owned by a third party.

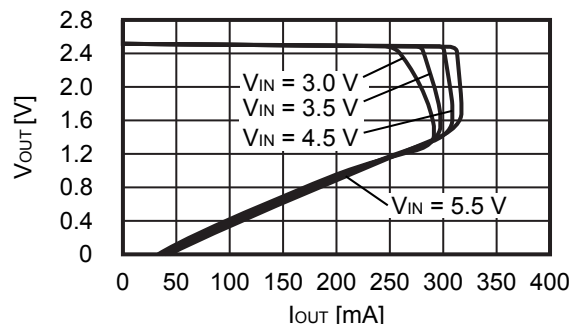
■ **Characteristics (Typical Data)**

1. Output voltage vs. Output current (When load current increases) (Ta = +25°C)

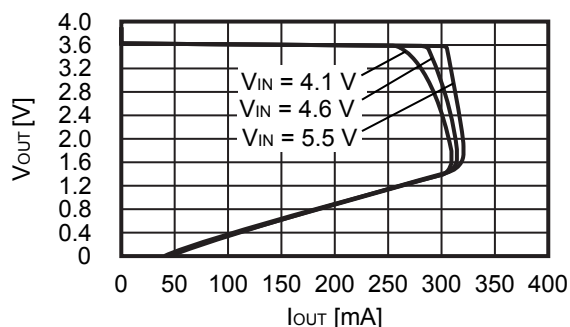
1.1 V_{OUT} = 1.0 V



1.2 V_{OUT} = 2.5 V



1.3 V_{OUT} = 3.6 V

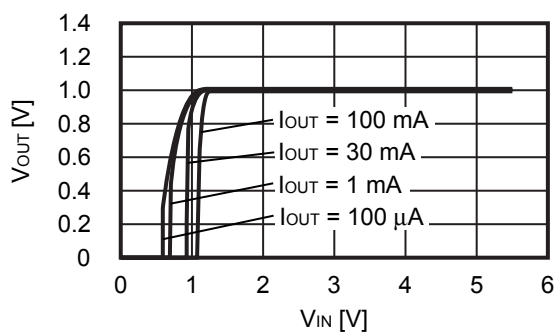


Remark In determining the output current, attention should be paid to the following.

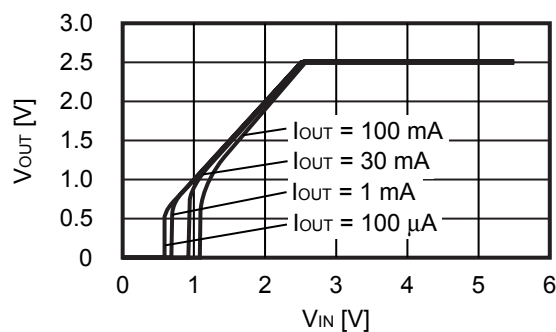
1. The minimum output current value and footnote *4 in **Table 20** and **Table 21** in "■ **Electrical Characteristics**"
2. Power dissipation

2. Output voltage vs. Input voltage (Ta = +25°C)

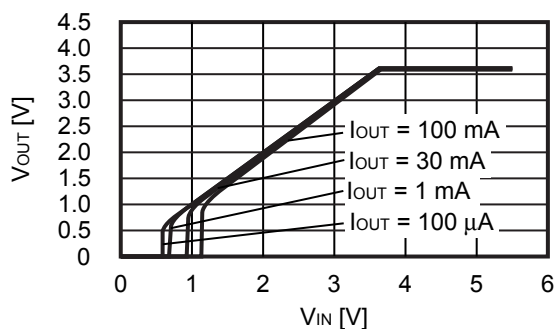
2.1 V_{OUT} = 1.0 V



2.2 V_{OUT} = 2.5 V

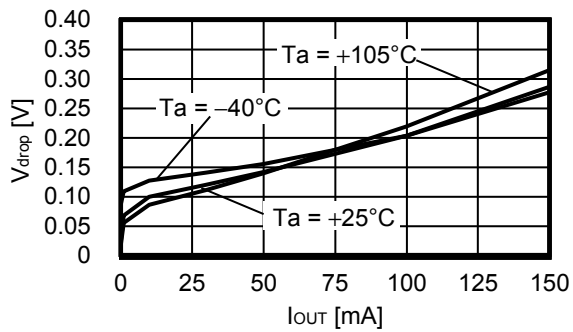


2.3 V_{OUT} = 3.6 V

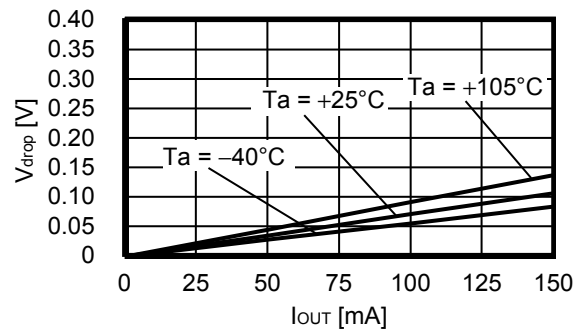


3. Dropout voltage vs. Output current

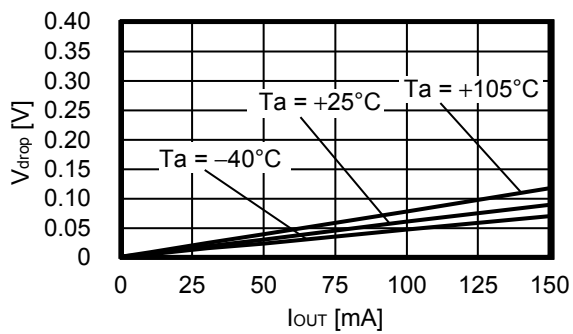
3.1 $V_{OUT} = 1.0\text{ V}$



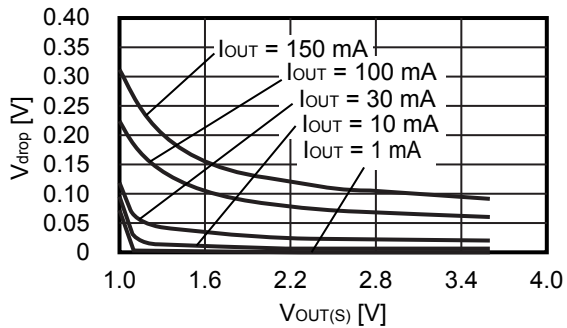
3.2 $V_{OUT} = 2.5\text{ V}$



3.3 $V_{OUT} = 3.6\text{ V}$

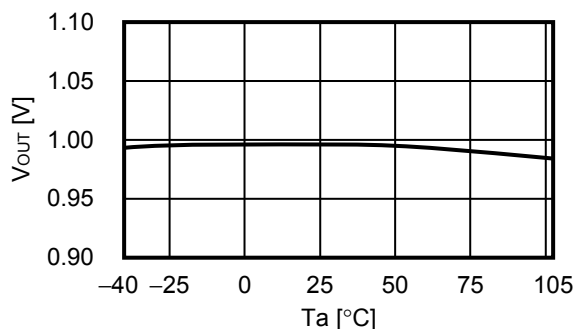


4. Dropout voltage vs. Set output voltage

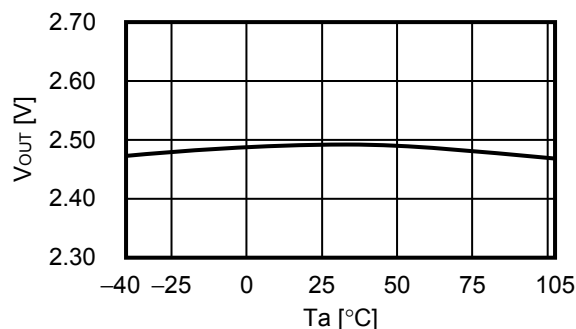


5. Output voltage vs. Ambient temperature

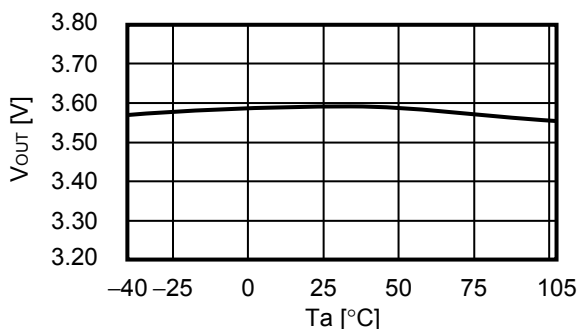
5.1 $V_{OUT} = 1.0\text{ V}$



5.2 $V_{OUT} = 2.5\text{ V}$

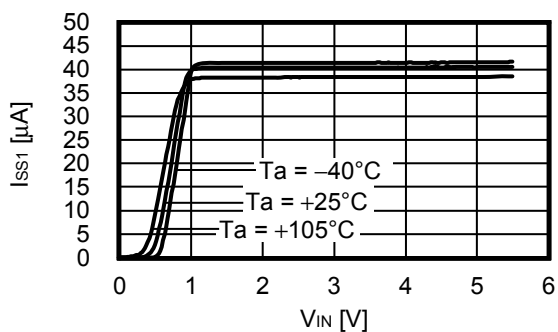


5.3 $V_{OUT} = 3.6\text{ V}$

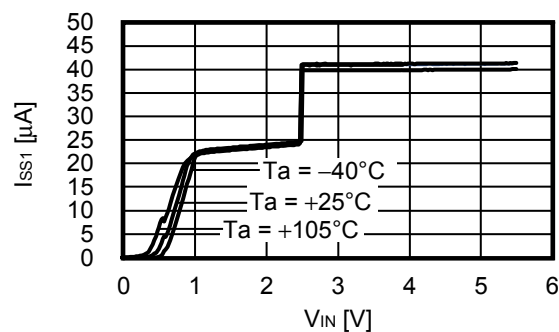


6. Current consumption vs. Input voltage

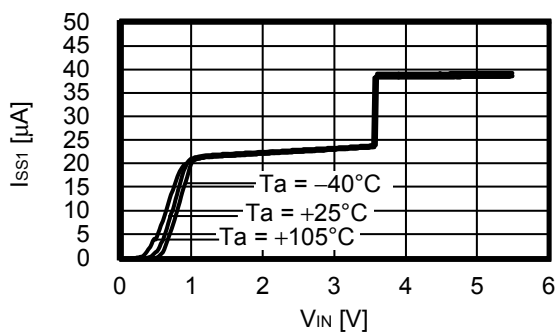
6.1 $V_{OUT} = 1.0\text{ V}$



6.2 $V_{OUT} = 2.5\text{ V}$

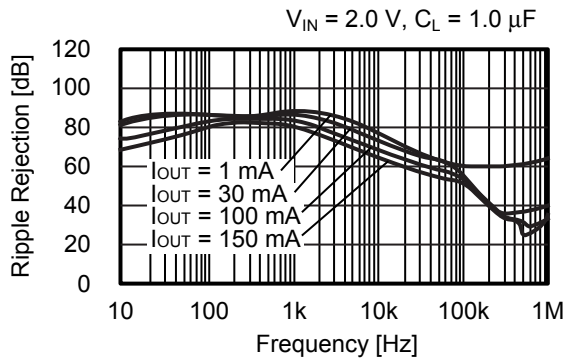


6.3 $V_{OUT} = 3.6\text{ V}$

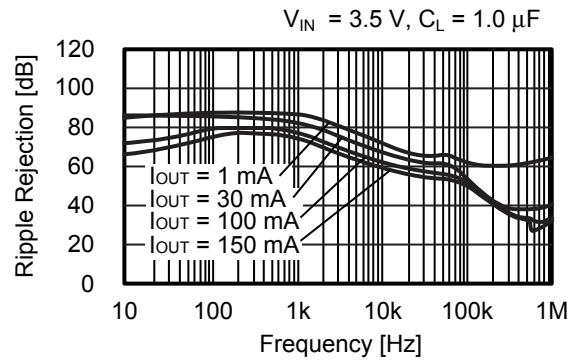


7. Ripple rejection (Ta = +25°C)

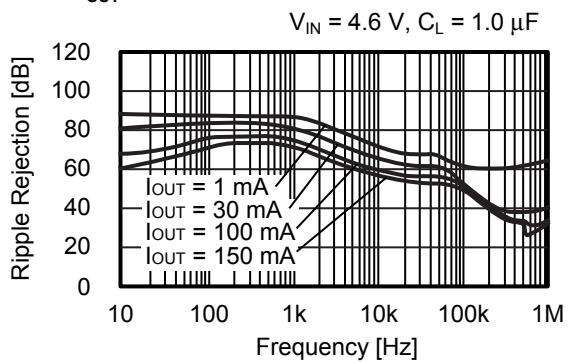
7.1 V_{OUT} = 1.0 V



7.2 V_{OUT} = 2.5 V



7.3 V_{OUT} = 3.6 V

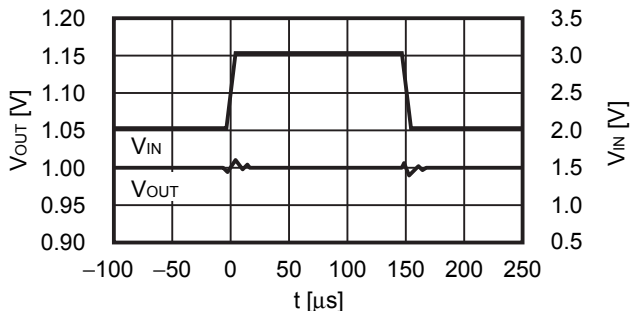


■ Reference Data

1. Transient response characteristics when input ($T_a = +25^\circ\text{C}$)

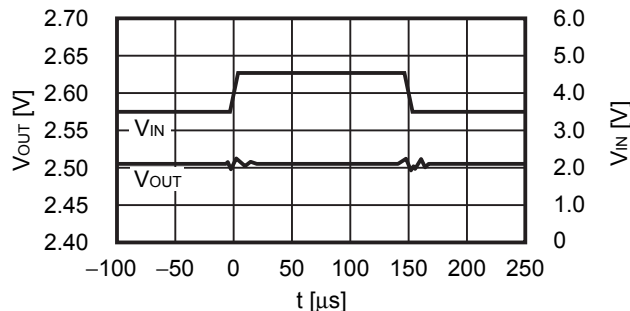
1.1 $V_{OUT} = 1.0\text{ V}$

$I_{OUT} = 30\text{ mA}$, $C_{IN} = C_L = 1.0\ \mu\text{F}$,
 $V_{IN} = 2.0\text{ V} \leftrightarrow 3.0\text{ V}$, $t_r = t_f = 5.0\ \mu\text{s}$



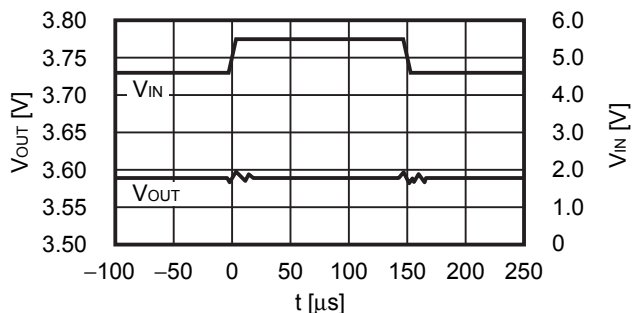
1.2 $V_{OUT} = 2.5\text{ V}$

$I_{OUT} = 30\text{ mA}$, $C_{IN} = C_L = 1.0\ \mu\text{F}$,
 $V_{IN} = 3.5\text{ V} \leftrightarrow 4.5\text{ V}$, $t_r = t_f = 5.0\ \mu\text{s}$



1.3 $V_{OUT} = 3.6\text{ V}$

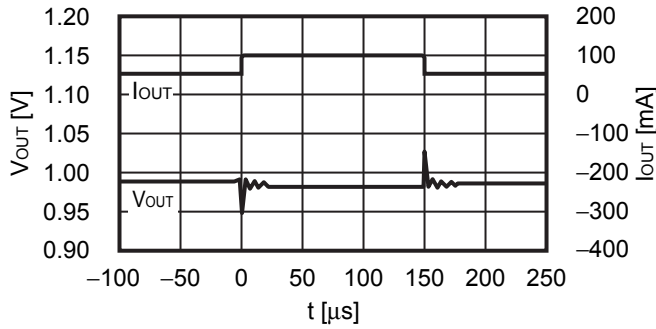
$I_{OUT} = 30\text{ mA}$, $C_{IN} = C_L = 1.0\ \mu\text{F}$,
 $V_{IN} = 4.6\text{ V} \leftrightarrow 5.5\text{ V}$, $t_r = t_f = 5.0\ \mu\text{s}$



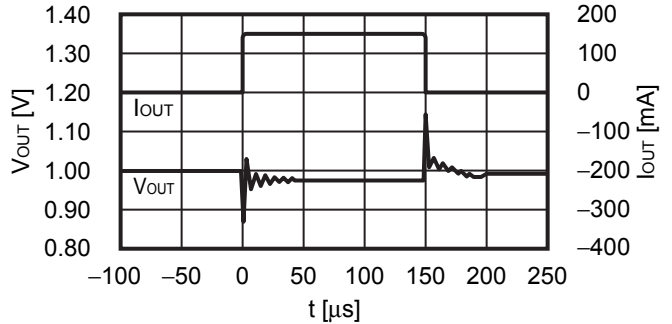
2. Transient response characteristics of load (Ta = +25°C)

2.1 V_{OUT} = 1.0 V

V_{IN} = 2.0 V, C_{IN} = C_L = 1.0 μF, I_{OUT} = 50 mA ↔ 100 mA

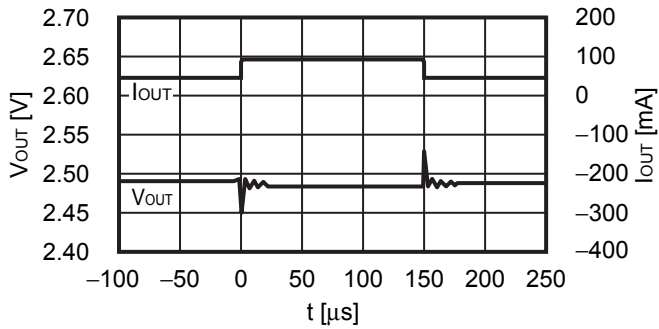


V_{IN} = 2.0 V, C_{IN} = C_L = 1.0 μF, I_{OUT} = 1 mA ↔ 150 mA

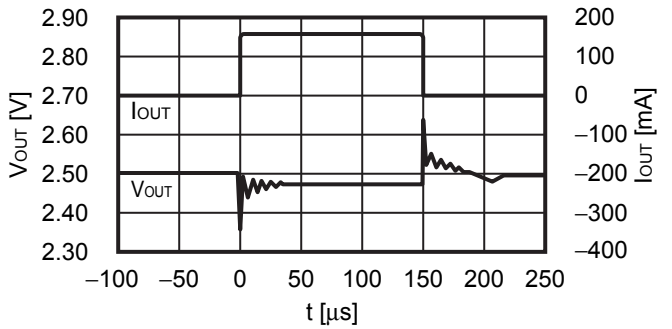


2.2 V_{OUT} = 2.5 V

V_{IN} = 3.5 V, C_{IN} = C_L = 1.0 μF, I_{OUT} = 50 mA ↔ 100 mA

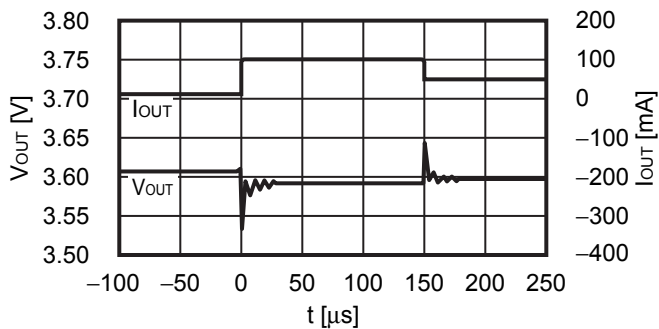


V_{IN} = 3.5 V, C_{IN} = C_L = 1.0 μF, I_{OUT} = 1 mA ↔ 150 mA

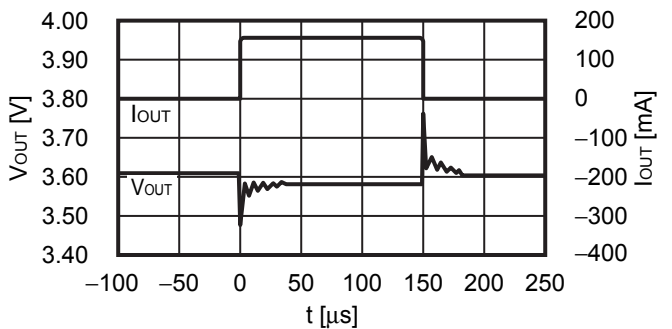


2.3 V_{OUT} = 3.6 V

V_{IN} = 4.6 V, C_{IN} = C_L = 1.0 μF, I_{OUT} = 50 mA ↔ 100 mA



V_{IN} = 4.6 V, C_{IN} = C_L = 1.0 μF, I_{OUT} = 1 mA ↔ 150 mA

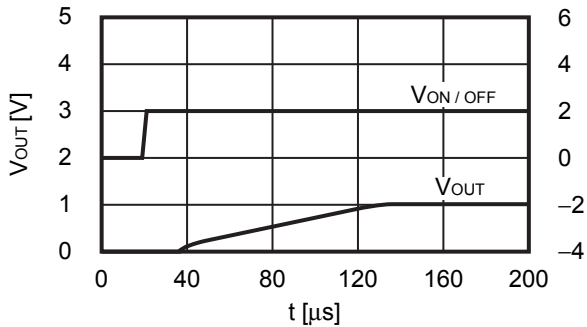


3. Transient response characteristics of ON / OFF pin (Ta = +25°C)

3.1 V_{OUT} = 1.0 V

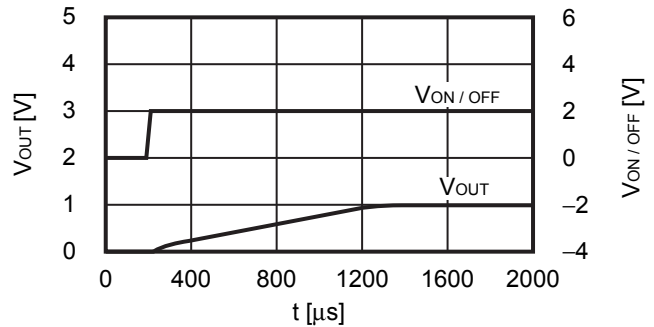
3.1.1 t_{SS} = 0.1 ms

V_{IN} = 2.0 V, C_{IN} = C_L = 1.0 μF, I_{OUT} = 100 mA,
 V_{ON/OFF} = 0 V → 2.0 V, t_r = 1.0 μs



3.1.2 t_{SS} = 1.0 ms

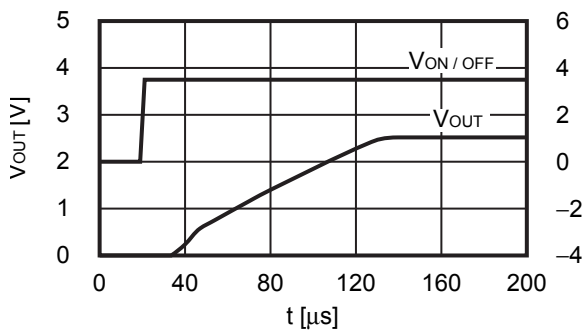
V_{IN} = 2.0 V, C_{IN} = C_L = 1.0 μF, I_{OUT} = 100 mA,
 V_{ON/OFF} = 0 V → 2.0 V, t_r = 1.0 μs



3.2 V_{OUT} = 2.5 V

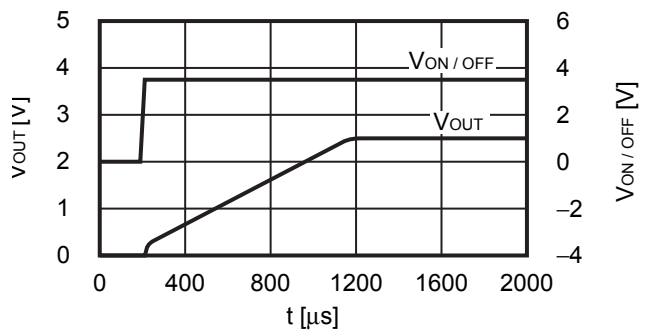
3.2.1 t_{SS} = 0.1 ms

V_{IN} = 3.5 V, C_{IN} = C_L = 1.0 μF, I_{OUT} = 100 mA,
 V_{ON/OFF} = 0 V → 3.5 V, t_r = 1.0 μs



3.2.2 t_{SS} = 1.0 ms

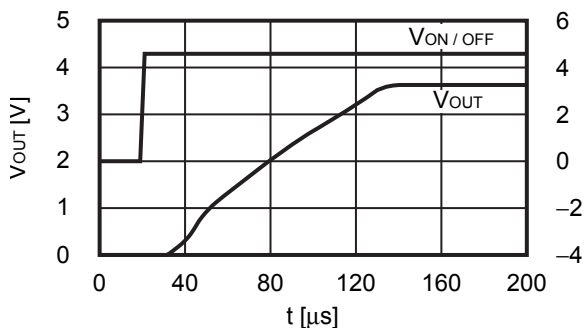
V_{IN} = 3.5 V, C_{IN} = C_L = 1.0 μF, I_{OUT} = 100 mA,
 V_{ON/OFF} = 0 V → 3.5 V, t_r = 1.0 μs



3.3 V_{OUT} = 3.6 V

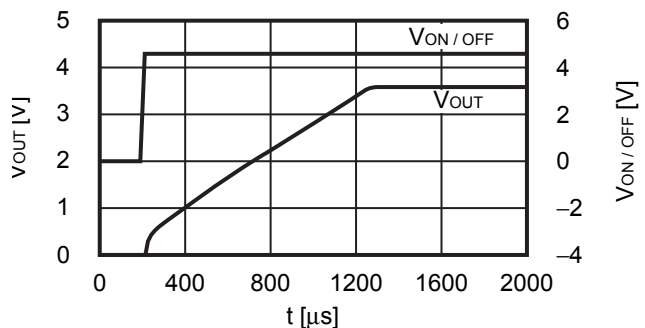
3.3.1 t_{SS} = 0.1 ms

V_{IN} = 4.6 V, C_{IN} = C_L = 1.0 μF, I_{OUT} = 100 mA,
 V_{ON/OFF} = 0 V → 4.6 V, t_r = 1.0 μs



3.3.2 t_{SS} = 1.0 ms

V_{IN} = 4.6 V, C_{IN} = C_L = 1.0 μF, I_{OUT} = 100 mA,
 V_{ON/OFF} = 0 V → 4.6 V, t_r = 1.0 μs

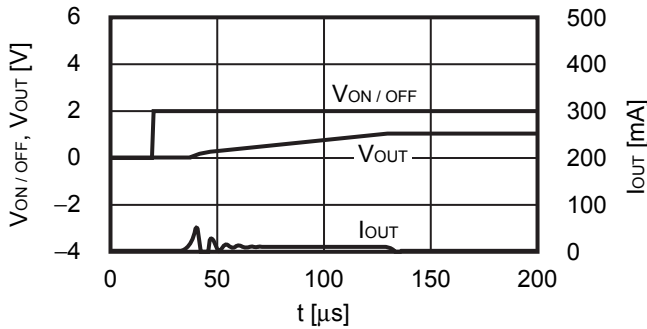


4. Inrush current characteristics (Ta = +25°C)

4.1 V_{OUT} = 1.0 V

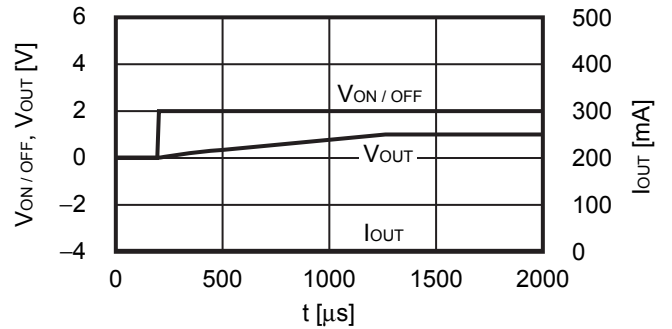
4.1.1 t_{SS} = 0.1 ms

V_{IN} = 2.0 V, C_{IN} = C_L = 1.0 μF, I_{OUT} = 0.1 mA,
 V_{ON/OFF} = 0 V → 2.0 V, t_r = 1.0 μs



4.1.2 t_{SS} = 1.0 ms

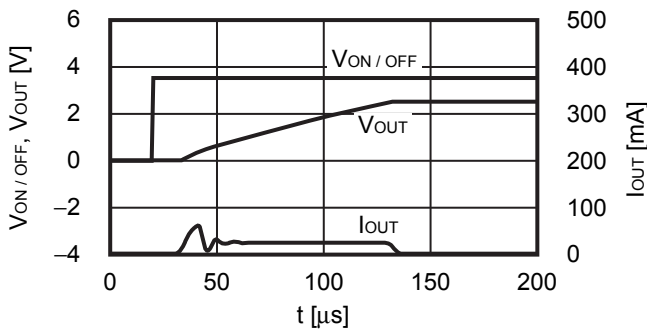
V_{IN} = 2.0 V, C_{IN} = C_L = 1.0 μF, I_{OUT} = 0.1 mA,
 V_{ON/OFF} = 0 V → 2.0 V, t_r = 1.0 μs



4.2 V_{OUT} = 2.5 V

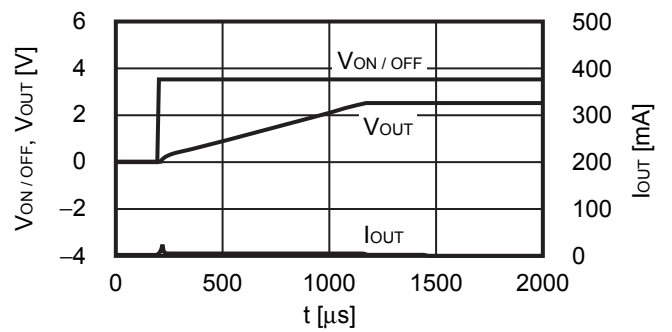
4.2.1 t_{SS} = 0.1 ms

V_{IN} = 3.5 V, C_{IN} = C_L = 1.0 μF, I_{OUT} = 0.1 mA,
 V_{ON/OFF} = 0 V → 3.5 V, t_r = 1.0 μs



4.2.2 t_{SS} = 1.0 ms

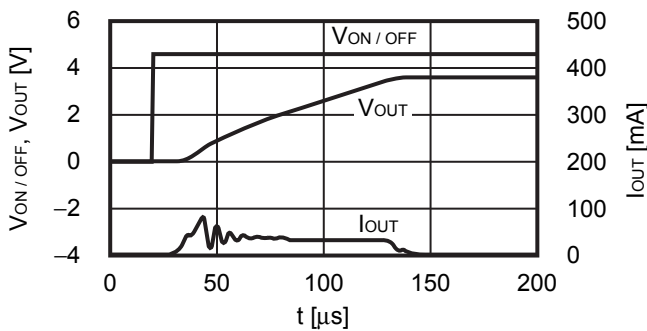
V_{IN} = 3.5 V, C_{IN} = C_L = 1.0 μF, I_{OUT} = 0.1 mA,
 V_{ON/OFF} = 0 V → 3.5 V, t_r = 1.0 μs



4.3 V_{OUT} = 3.6 V

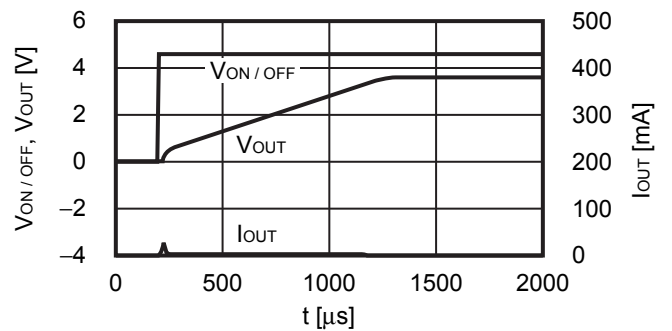
4.3.1 t_{SS} = 0.1 ms

V_{IN} = 4.6 V, C_{IN} = C_L = 1.0 μF, I_{OUT} = 0.1 mA,
 V_{ON/OFF} = 0 V → 4.6 V, t_r = 1.0 μs



4.3.2 t_{SS} = 1.0 ms

V_{IN} = 4.6 V, C_{IN} = C_L = 1.0 μF, I_{OUT} = 0.1 mA,
 V_{ON/OFF} = 0 V → 4.6 V, t_r = 1.0 μs



5. Output capacitance vs. Characteristics of discharge time (Ta = +25°C)

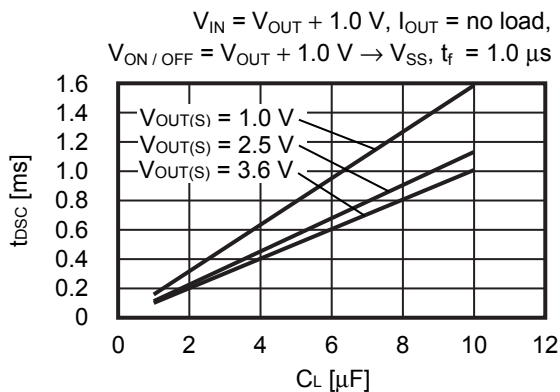


Figure 36 S-19252 Series A / B / E / F / J / K Type (with discharge shunt function)

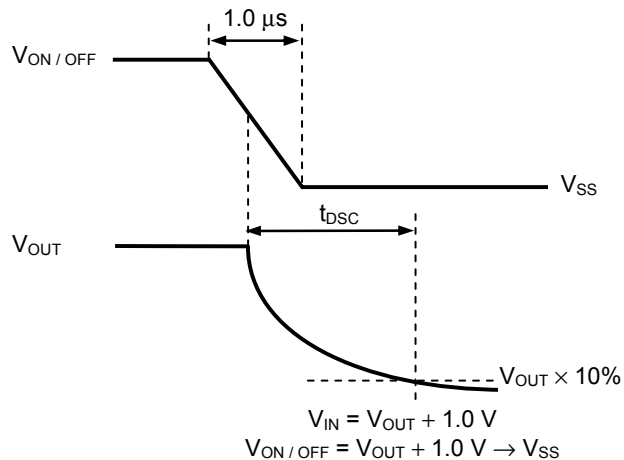


Figure 37 Measurement Condition of Discharge Time

6. Example of equivalent series resistance vs. Output current characteristics (Ta = +25°C)

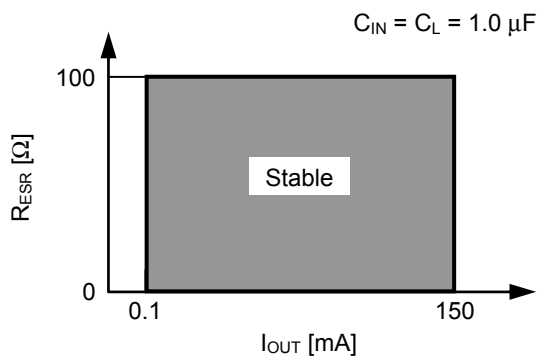
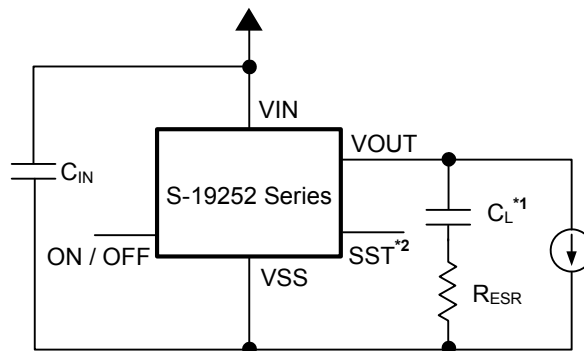


Figure 38



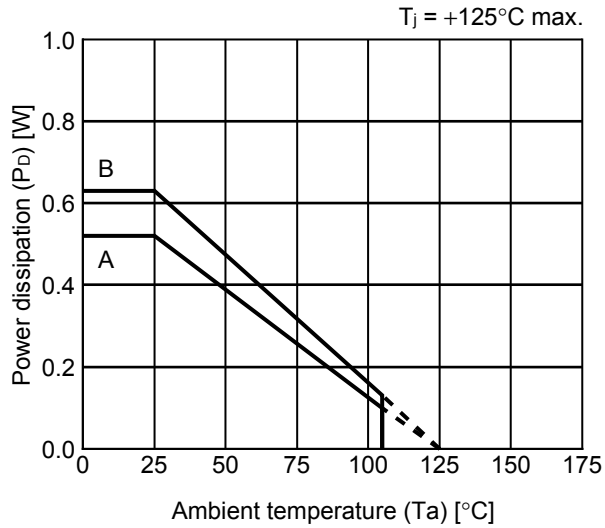
*1. C_L : TDK Corporation CGA5L3X8R1H105K (1.0 μF)

*2. S-19252 Series J / K / L / M type only.

Figure 39

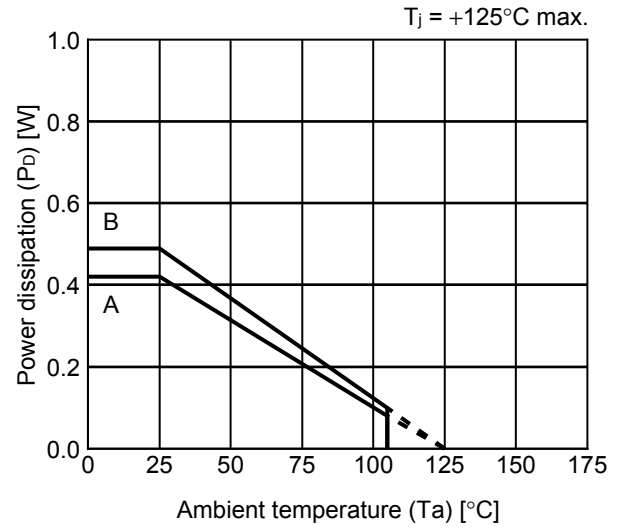
■ Power Dissipation

SOT-23-5



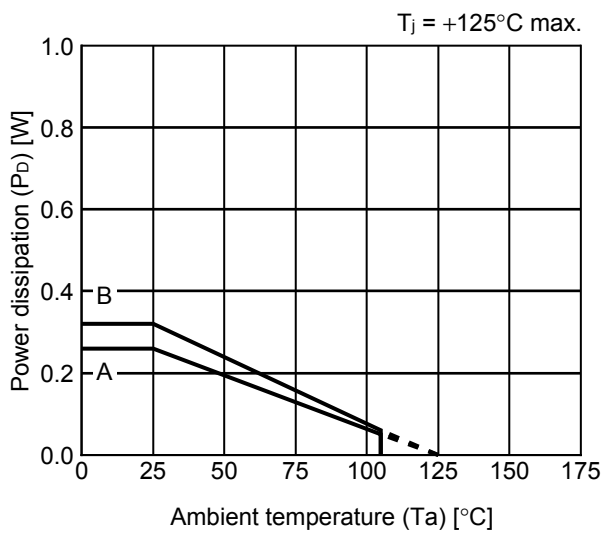
Board	Power Dissipation (P_D)
A	0.52 W
B	0.63 W
C	–
D	–
E	–

SC-82AB



Board	Power Dissipation (P_D)
A	0.42 W
B	0.49 W
C	–
D	–
E	–

HSNT-4(1010)B



Board	Power Dissipation (P_D)
A	0.26 W
B	0.32 W
C	–
D	–
E	–

SOT-23-3/3S/5/6 Test Board

 IC Mount Area

(1) Board A



Item	Specification	
Size [mm]	114.3 x 76.2 x t1.6	
Material	FR-4	
Number of copper foil layer	2	
Copper foil layer [mm]	1	Land pattern and wiring for testing: t0.070
	2	-
	3	-
	4	74.2 x 74.2 x t0.070
Thermal via	-	

(2) Board B




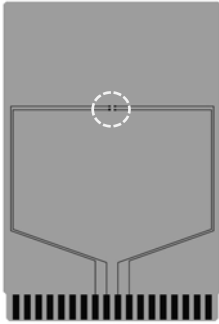
Item	Specification	
Size [mm]	114.3 x 76.2 x t1.6	
Material	FR-4	
Number of copper foil layer	4	
Copper foil layer [mm]	1	Land pattern and wiring for testing: t0.070
	2	74.2 x 74.2 x t0.035
	3	74.2 x 74.2 x t0.035
	4	74.2 x 74.2 x t0.070
Thermal via	-	

No. SOT23x-A-Board-SD-2.0

SC-82AB Test Board

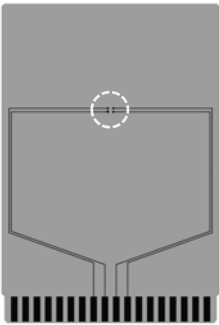
(1) Board A

 IC Mount Area



Item		Specification
Size [mm]		114.3 x 76.2 x t1.6
Material		FR-4
Number of copper foil layer		2
Copper foil layer [mm]	1	Land pattern and wiring for testing: t0.070
	2	-
	3	-
	4	74.2 x 74.2 x t0.070
Thermal via		-

(2) Board B




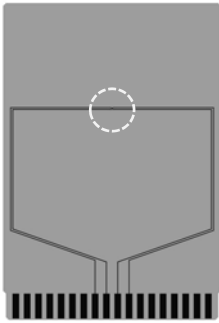
Item		Specification
Size [mm]		114.3 x 76.2 x t1.6
Material		FR-4
Number of copper foil layer		4
Copper foil layer [mm]	1	Land pattern and wiring for testing: t0.070
	2	74.2 x 74.2 x t0.035
	3	74.2 x 74.2 x t0.035
	4	74.2 x 74.2 x t0.070
Thermal via		-

No. SC82AB-A-Board-SD-1.0

HSNT-4(1010)B Test Board

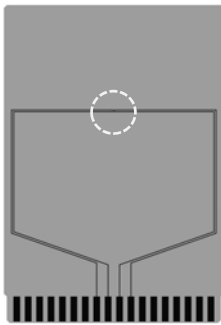
(1) Board A

 IC Mount Area



Item	Specification	
Size [mm]	114.3 x 76.2 x t1.6	
Material	FR-4	
Number of copper foil layer	2	
Copper foil layer [mm]	1	Land pattern and wiring for testing: t0.070
	2	-
	3	-
	4	74.2 x 74.2 x t0.070
Thermal via	-	

(2) Board B



Item	Specification	
Size [mm]	114.3 x 76.2 x t1.6	
Material	FR-4	
Number of copper foil layer	4	
Copper foil layer [mm]	1	Land pattern and wiring for testing: t0.070
	2	74.2 x 74.2 x t0.035
	3	74.2 x 74.2 x t0.035
	4	74.2 x 74.2 x t0.070
Thermal via	-	

No. HSNT4-D-Board-SD-1.0



No. MP005-A-P-SD-1.3

TITLE	SOT235-A-PKG Dimensions
No.	MP005-A-P-SD-1.3
ANGLE	
UNIT	mm
ABLIC Inc.	



Feed direction →

No. MP005-A-C-SD-2.1

TITLE	SOT235-A-Carrier Tape
No.	MP005-A-C-SD-2.1
ANGLE	
UNIT	mm
ABLIC Inc.	



Enlarged drawing in the central part



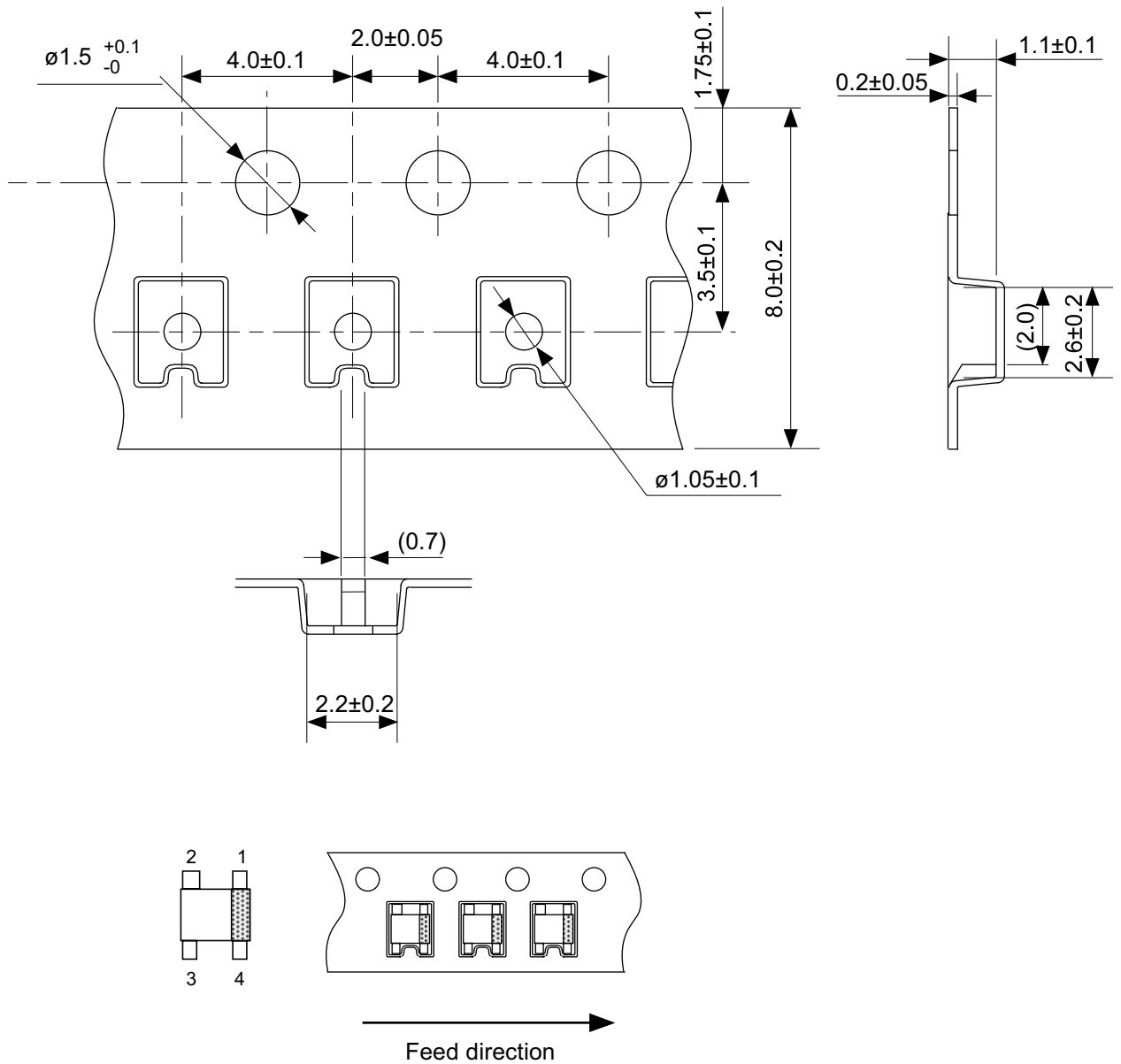
No. MP005-A-R-SD-1.1

TITLE	SOT235-A-Reel		
No.	MP005-A-R-SD-1.1		
ANGLE		QTY.	3,000
UNIT	mm		
ABLIC Inc.			



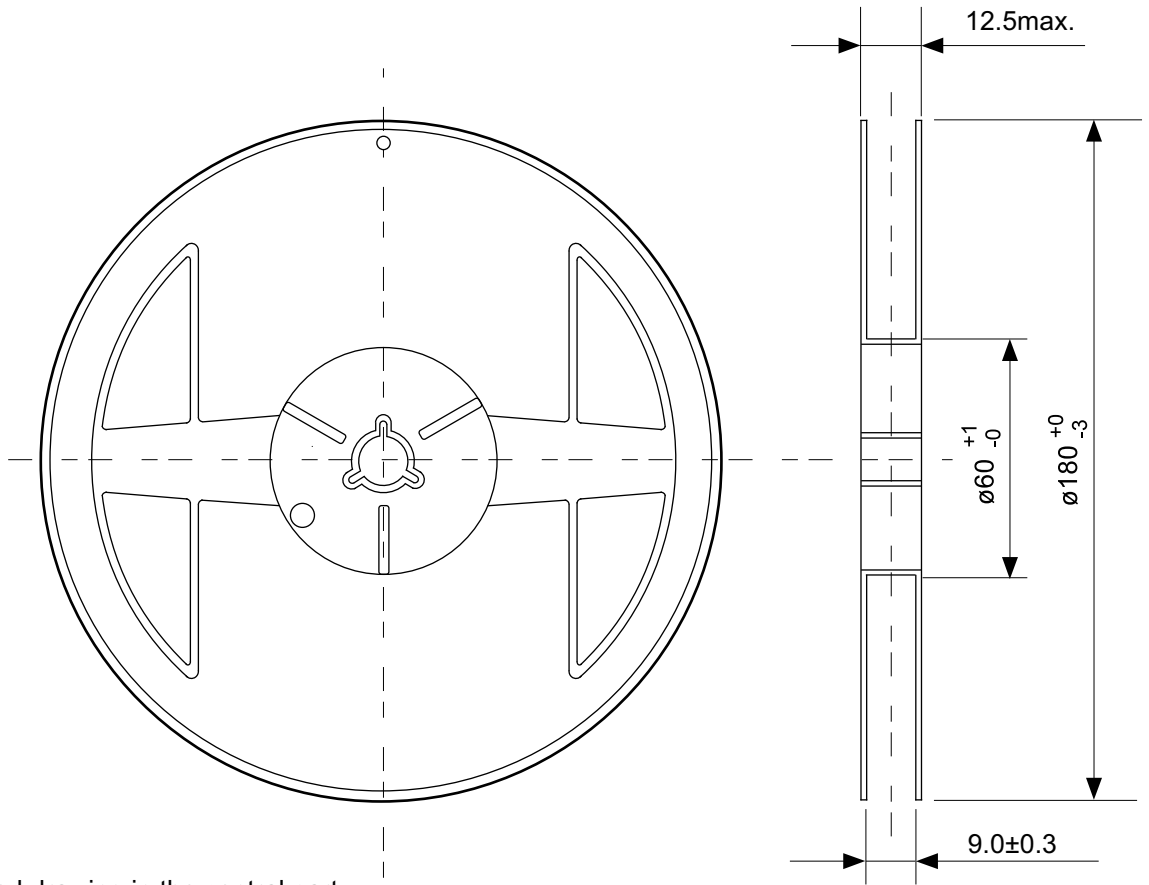
No. NP004-A-P-SD-2.0

TITLE	SC82AB-A-PKG Dimensions
No.	NP004-A-P-SD-2.0
ANGLE	
UNIT	mm
ABLIC Inc.	

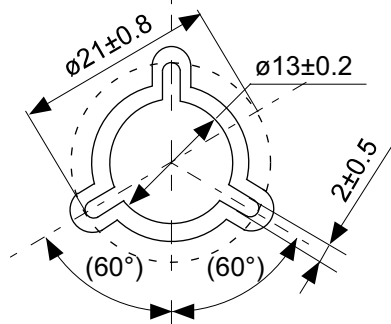


No. NP004-A-C-SD-3.0

TITLE	SC82AB-A-Carrier Tape
No.	NP004-A-C-SD-3.0
ANGLE	
UNIT	mm
ABLIC Inc.	

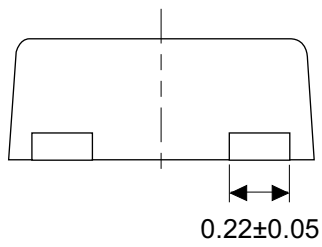
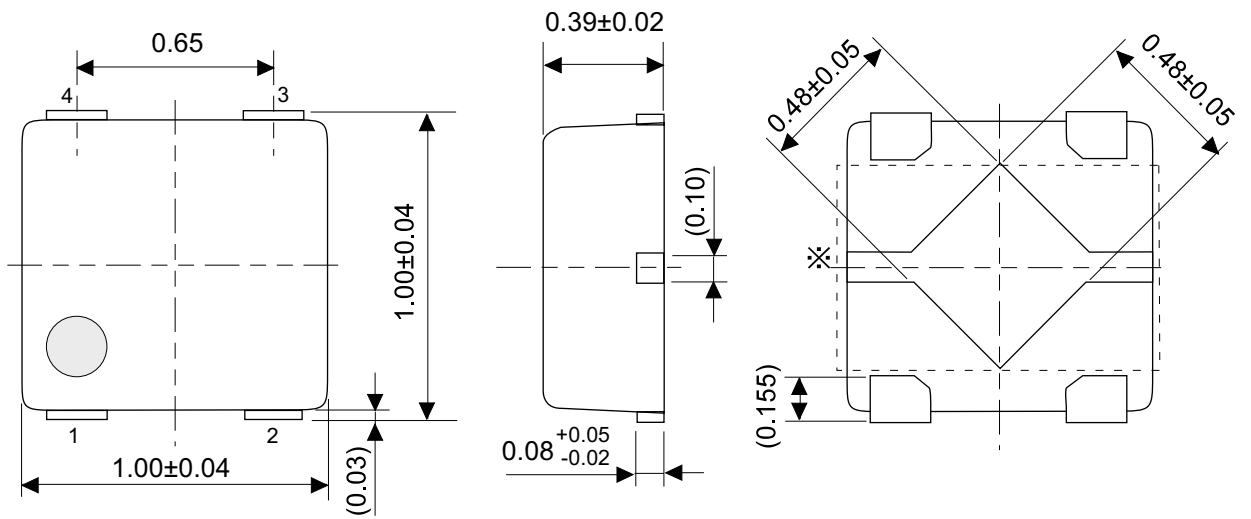


Enlarged drawing in the central part



No. NP004-A-R-SD-1.1

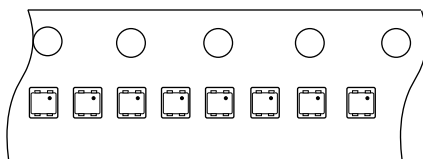
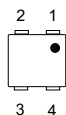
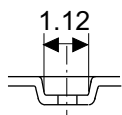
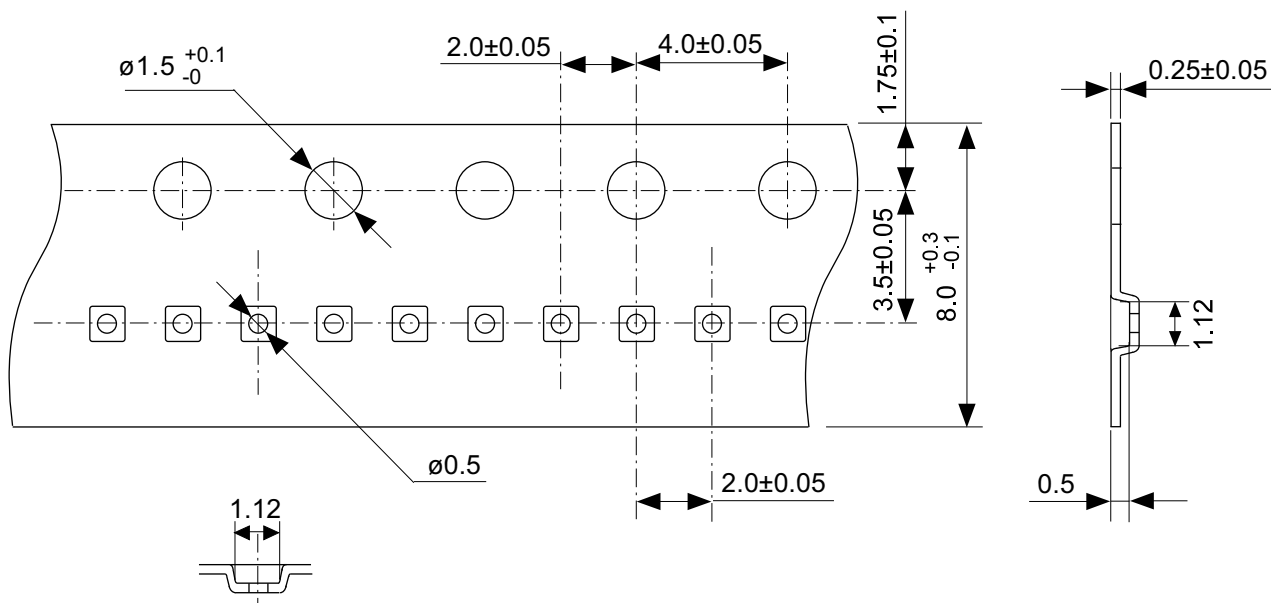
TITLE	SC82AB-A-Reel		
No.	NP004-A-R-SD-1.1		
ANGLE		QTY.	3,000
UNIT	mm		
ABLIC Inc.			



\ast The heat sink of back side has different electric potential depending on the product.
 Confirm specifications of each product.
 Do not use it as the function of electrode.

No. PL004-B-P-SD-1.0

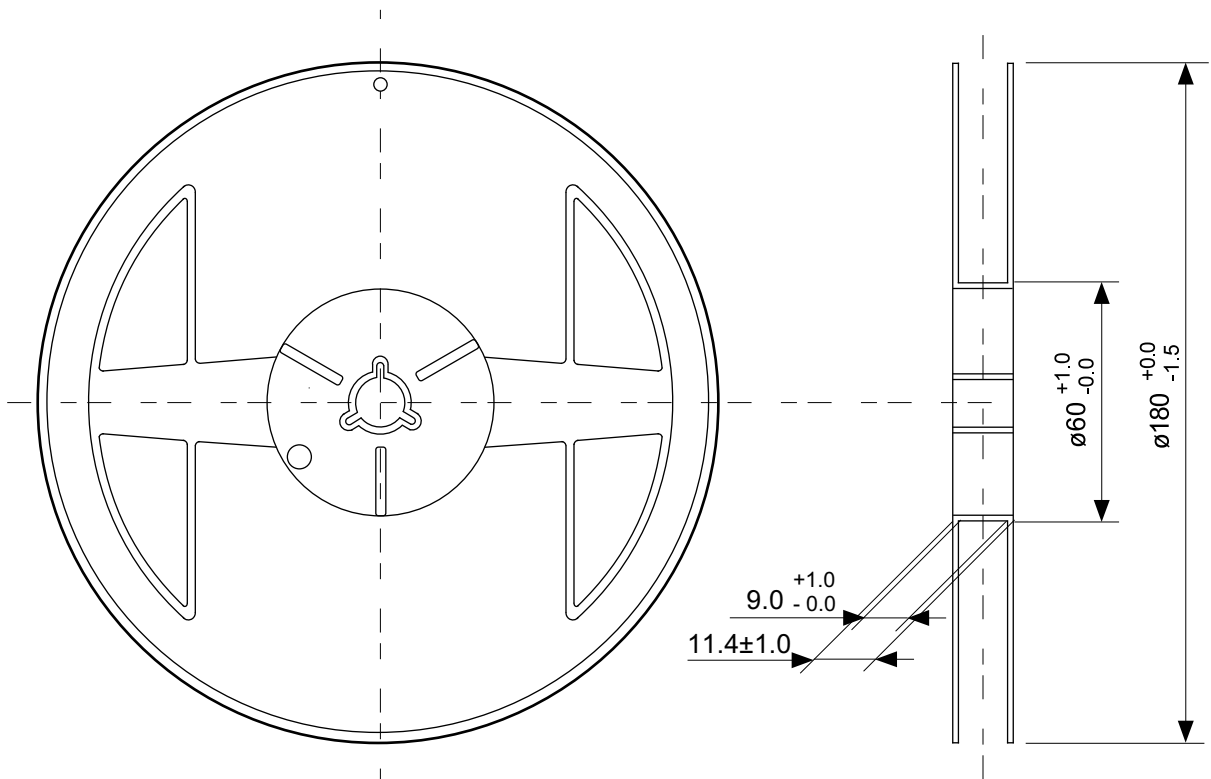
TITLE	HSNT-4-D-PKG Dimensions
No.	PL004-B-P-SD-1.0
ANGLE	
UNIT	mm
ABLIC Inc.	



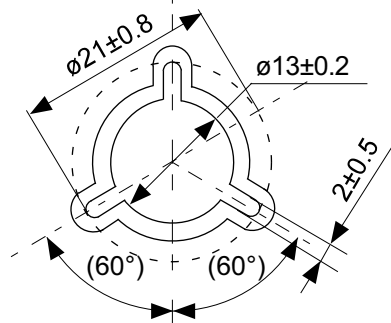
Feed direction →

No. PL004-B-C-SD-1.0

TITLE	HSNT-4-D-Carrier Tape
No.	PL004-B-C-SD-1.0
ANGLE	
UNIT	mm
ABLIC Inc.	



Enlarged drawing in the central part



No. PL004-B-R-SD-1.0

TITLE	HSNT-4-D-Reel		
No.	PL004-B-R-SD-1.0		
ANGLE		QTY.	10,000
UNIT	mm		
ABLIC Inc.			

Disclaimers (Handling Precautions)

1. All the information described herein (product data, specifications, figures, tables, programs, algorithms and application circuit examples, etc.) is current as of publishing date of this document and is subject to change without notice.
2. The circuit examples and the usages described herein are for reference only, and do not guarantee the success of any specific mass-production design.
ABLIC Inc. is not responsible for damages caused by the reasons other than the products described herein (hereinafter "the products") or infringement of third-party intellectual property right and any other right due to the use of the information described herein.
3. ABLIC Inc. is not responsible for damages caused by the incorrect information described herein.
4. Be careful to use the products within their specified ranges. Pay special attention to the absolute maximum ratings, operation voltage range and electrical characteristics, etc.
ABLIC Inc. is not responsible for damages caused by failures and / or accidents, etc. that occur due to the use of the products outside their specified ranges.
5. When using the products, confirm their applications, and the laws and regulations of the region or country where they are used and verify suitability, safety and other factors for the intended use.
6. When exporting the products, comply with the Foreign Exchange and Foreign Trade Act and all other export-related laws, and follow the required procedures.
7. The products must not be used or provided (exported) for the purposes of the development of weapons of mass destruction or military use. ABLIC Inc. is not responsible for any provision (export) to those whose purpose is to develop, manufacture, use or store nuclear, biological or chemical weapons, missiles, or other military use.
8. The products are not designed to be used as part of any device or equipment that may affect the human body, human life, or assets (such as medical equipment, disaster prevention systems, security systems, combustion control systems, infrastructure control systems, vehicle equipment, traffic systems, in-vehicle equipment, aviation equipment, aerospace equipment, and nuclear-related equipment), excluding when specified for in-vehicle use or other uses. Do not apply the products to the above listed devices and equipments without prior written permission by ABLIC Inc. Especially, the products cannot be used for life support devices, devices implanted in the human body and devices that directly affect human life, etc.
Prior consultation with our sales office is required when considering the above uses.
ABLIC Inc. is not responsible for damages caused by unauthorized or unspecified use of our products.
9. Semiconductor products may fail or malfunction with some probability.
The user of the products should therefore take responsibility to give thorough consideration to safety design including redundancy, fire spread prevention measures, and malfunction prevention to prevent accidents causing injury or death, fires and social damage, etc. that may ensue from the products' failure or malfunction.
The entire system must be sufficiently evaluated and applied on customer's own responsibility.
10. The products are not designed to be radiation-proof. The necessary radiation measures should be taken in the product design by the customer depending on the intended use.
11. The products do not affect human health under normal use. However, they contain chemical substances and heavy metals and should therefore not be put in the mouth. The fracture surfaces of wafers and chips may be sharp. Be careful when handling these with the bare hands to prevent injuries, etc.
12. When disposing of the products, comply with the laws and ordinances of the country or region where they are used.
13. The information described herein contains copyright information and know-how of ABLIC Inc.
The information described herein does not convey any license under any intellectual property rights or any other rights belonging to ABLIC Inc. or a third party. Reproduction or copying of the information from this document or any part of this document described herein for the purpose of disclosing it to a third-party without the express permission of ABLIC Inc. is strictly prohibited.
14. For more details on the information described herein, contact our sales office.

2.2-2018.06