

The S-75V00ANC is a single 2-Input NAND Gate fabricated by utilizing advanced silicon-gate CMOS technology which provides the inherent benefit of CMOS low power consumption to achieve ultra high speed operation correspond to LSTTL IC's.

All gates of the internal circuitry have buffered outputs to ensure high noise immunity and output stability. Input voltage is allowed to be applied even if power voltage is not supplied because no diode is inserted between an input pin and V_{CC} .

This allows for interfaces between power supplies of different voltage, output level conversion from 5 V to 3 V and battery backup applications.

■ Features

- Wide power supply range: 2 V to 5.5 V
- Low current consumption: 1.0 μ A max. (at 5.5 V, 25°C)
- Typical propagation delay: $t_{PD} = 3.7$ ns (at 5 V)
- High noise immunity: $V_{NIH} = V_{NIL} = 28\% V_{CC}$ min.
- Power down protection: All pins
- Lead-free

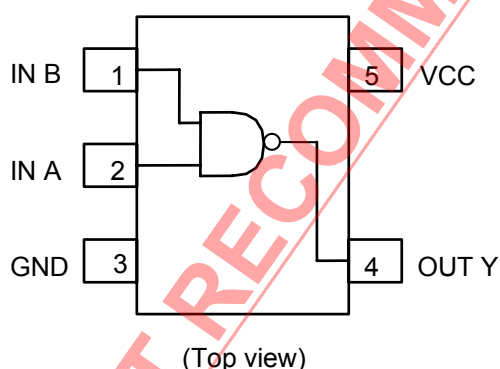
■ Applications

- Personal computers, peripherals
- Cellular phones
- Cameras
- Games

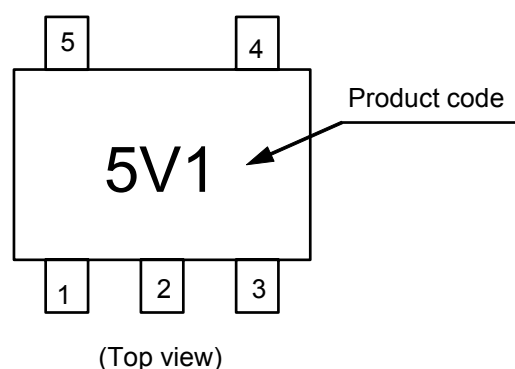
■ Package

- SC-88A

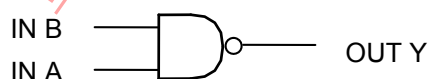
■ Pin Configuration



■ Marking Specification



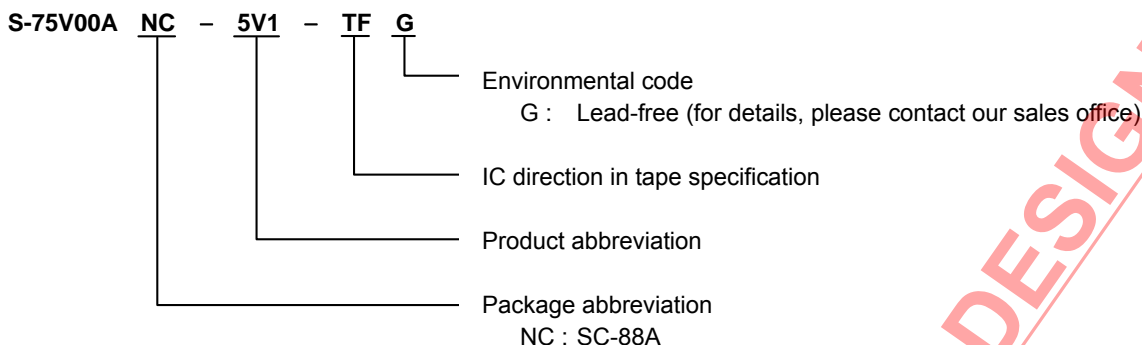
■ Logic Diagram



True values

A	B	Y
L	L	H
L	H	H
H	L	H
H	H	L

■ Product Name Structure



■ Absolute Maximum Ratings

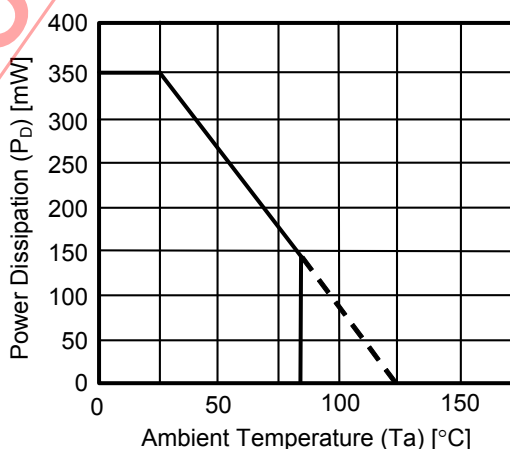
(Ta = 25°C unless otherwise specified)

Item	Symbol	Absolute Maximum Ratings	Unit
Power supply voltage	V_{CC}	-0.5 to +7.0	V
Input voltage	V_{IN}	-0.5 to +7.0	V
Output voltage	V_{OUT}	-0.5 to $V_{CC} + 0.5$	V
Input parasitic diode current	I_{IK}	-20	mA
Output parasitic diode current	I_{OK}	±20	mA
Output current	I_{OUT}	±25	mA
V_{CC}/GND current	I_{CC}	±50	mA
Power dissipation	P_D	200 (When not mounted on board)	mW
		350 ^{*1}	mW
Operating ambient temperature	T_{opr}	-40 to +85	°C
Storage temperature	T_{stg}	-65 to +150	°C
Lead temperature (10 s)	T_L	260	°C

*1. When mounted on board
[Mounted board]

- (1) Board size : 114.3 mm × 76.2 mm × 1.6 mm
- (2) Board name : JEDEC STANDARD51-7

Caution The absolute maximum ratings are rated values exceeding which the product could suffer physical damage. These values must therefore not be exceeded under any conditions.



Power Dissipation of Package (When Mounted on Board)

■ Recommended Operating Conditions

Item	Symbol	Standard	Unit
Power voltage	V_{CC}	2 to 5.5	V
Input voltage	V_{IN}	0 to 5.5	V
Output voltage	V_{OUT}	0 to V_{CC}	V
Input rise / fall time	t_R, t_F	0 to 100 ($V_{CC} = 3.3 \pm 0.3$ V)	ns
		0 to 20 ($V_{CC} = 5 \pm 0.5$ V)	ns

■ DC Electrical Characteristics

Item	Symbol	Conditions	$T_a = 25^\circ\text{C}$			$T_a = -40$ to 85°C		Unit			
			V_{CC}	Min.	Typ.	Max.	Min.		Max.		
Input voltage	“H” level	V_{IH}	—	2.0	1.5	—	—	1.5	—	V	
				3 to 5.5	$V_{CC} \times 0.7$	—	—	$V_{CC} \times 0.7$	—	V	
	“L” level	V_{IL}	—	2.0	—	—	0.5	—	0.5	V	
				3 to 5.5	—	—	$V_{CC} \times 0.3$	—	$V_{CC} \times 0.3$	V	
Output voltage	“H” level	V_{OH}	$V_{IN} = V_{IL}$ or V_{IH}	$I_{OH} = -50 \mu\text{A}$	2.0	1.9	2.0	—	1.9	—	V
					3.0	2.9	3.0	—	2.9	—	V
					4.5	4.4	4.5	—	4.4	—	V
				$I_{OH} = -4 \text{ mA}$	3.0	2.58	—	—	2.48	—	V
					4.5	3.94	—	—	3.80	—	V
						$I_{OH} = -8 \text{ mA}$	4.5	—	—	—	—
	“L” level	V_{OL}	$V_{IN} = V_{IH}$	$I_{OL} = 50 \mu\text{A}$	2.0	—	0	0.1	—	0.1	V
					3.0	—	0	0.1	—	0.1	V
					4.5	—	0	0.1	—	0.1	V
					$I_{OL} = 4 \text{ mA}$	3.0	—	—	0.36	—	0.44
4.5	—	—	0.36	—		0.44	V				
Input current	I_{IN}	$V_{IN} = 5.5 \text{ V}$ or GND	0 to 5.5	—	—	± 0.1	—	± 1.0	μA		
Current consumption	I_{CC}	$V_{IN} = V_{CC}$ or GND	5.5	—	—	1.0	—	10.0	μA		

■ AC Electrical Characteristics

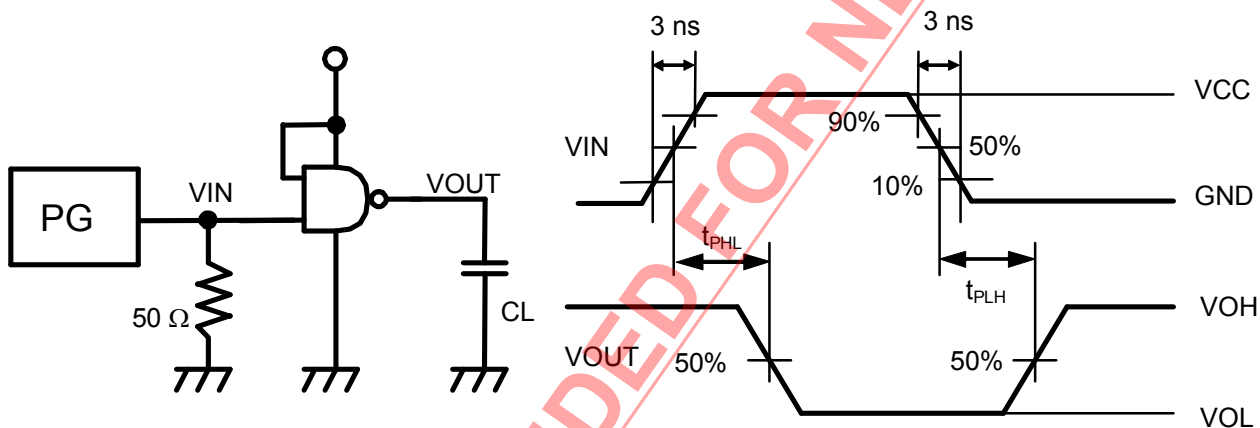
(Input $t_R = t_F = 3$ ns unless otherwise specified)

Item	Symbol	Measurement Conditions		Ta = 25°C			Ta = -40 to 85°C		Unit
		V _{CC} (V)	C _L (pF)	Min.	Typ.	Max.	Min.	Max.	
Propagation delay time	t_{PLH} , t_{PHL}	3.3±0.3	15	—	5.5	7.9	1.0	9.5	ns
			50	—	10.0	14.0	1.0	15.0	ns
		5.0±0.5	15	—	3.7	5.5	1.0	6.5	ns
			50	—	6.1	8.5	1.0	9.0	ns
Input capacitance	C _{IN}	—	—	4	10	—	10	pF	
Equivalent internal capacitance	C _{PD} ^{*1}	—	—	14	—	—	—	pF	

*1. C_{PD} is the no-load equivalent capacitance inside the circuitry. Refer to the measurement circuit shown below. Current consumption is averaged by the following equation.

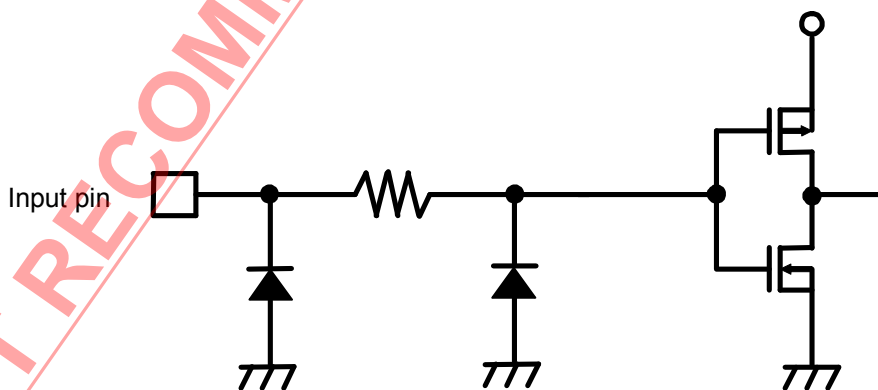
$$I_{CC(opr)} = C_{PD} \times V_{CC} \times fin + I_{CC}$$

Measurement Circuit



Remark No-load output during measurement of current consumption.

■ Input Pin Equivalent Circuit



The S-75V02ANC is a single 2-input NOR gate fabricated by utilizing advanced silicon-gate CMOS technology which provides the inherent benefit of CMOS low power consumption to achieve ultra high speed operation correspond to LSTTL IC's.

All gates of the internal circuitry have buffered outputs to ensure high noise immunity and output stability. Input voltage is allowed to be applied even if power voltage is not supplied because no diode is inserted between an input pin and V_{CC} .

This allows for interfaces between power supplies of different voltage, output level conversion from 5 V to 3 V and battery backup applications.

■ Features

- Wide power supply range: 2 V to 5.5 V
- Low current consumption: 1.0 μ A max. (at 5.5 V, 25°C)
- Typical propagation delay: $t_{PD} = 3.6$ ns (at 5 V)
- High noise immunity: $V_{NIH} = V_{NIL} = 28\%$ V_{CC} min.
- Power down protection: All pins
- Lead-free

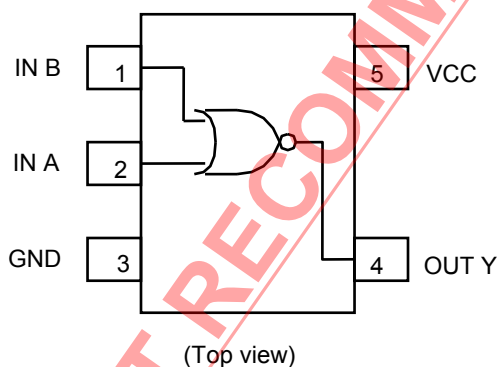
■ Applications

- Personal computers, peripherals
- Cellular phones
- Cameras
- Games

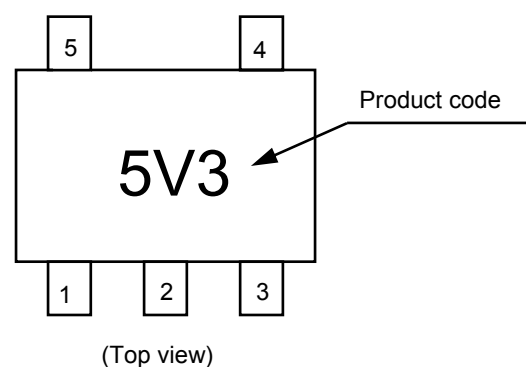
■ Package

- SC-88A

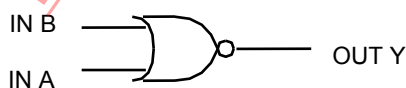
■ Pin Configuration



■ Marking Specification



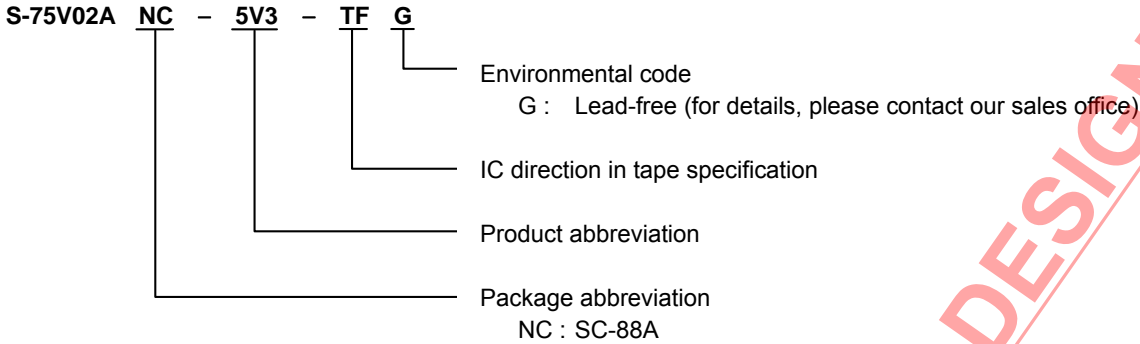
■ Logic Diagram



True values

A	B	Y
L	L	H
L	H	L
H	L	L
H	H	L

■ Product Name Structure



■ Absolute Maximum Ratings

(Ta = 25°C unless otherwise specified)

Item	Symbol	Absolute Maximum Ratings	Unit
Power supply voltage	V_{CC}	-0.5 to +7.0	V
Input voltage	V_{IN}	-0.5 to +7.0	V
Output voltage	V_{OUT}	-0.5 to $V_{CC} + 0.5$	V
Input parasitic diode current	I_{IK}	-20	mA
Output parasitic diode current	I_{OK}	±20	mA
Output current	I_{OUT}	±25	mA
V_{CC}/GND current	I_{CC}	±50	mA
Power dissipation	P_D	200 (When not mounted on board)	mW
		350*1	mW
Operating ambient temperature	T_{opr}	-40 to +85	°C
Storage temperature	T_{stg}	-65 to +150	°C
Lead temperature (10 s)	T_L	260	°C

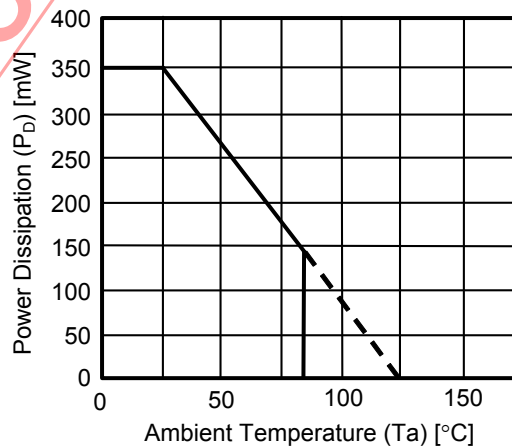
*1. When mounted on board

[Mounted board]

(1) Board size : 114.3 mm × 76.2 mm × 1.6 mm

(2) Board name : JEDEC STANDARD51-7

Caution The absolute maximum ratings are rated values exceeding which the product could suffer physical damage. These values must therefore not be exceeded under any conditions.



Power Dissipation of Package (When Mounted on Board)

■ Recommended Operating Conditions

Item	Symbol	Standard	Unit
Power voltage	V_{CC}	2 to 5.5	V
Input voltage	V_{IN}	0 to 5.5	V
Output voltage	V_{OUT}	0 to V_{CC}	V
Input rise / fall time	t_R, t_F	0 to 100 ($V_{CC} = 3.3 \pm 0.3$ V)	ns
		0 to 20 ($V_{CC} = 5 \pm 0.5$ V)	ns

■ DC Electrical Characteristics

Item	Symbol	Conditions	$T_a = 25^\circ\text{C}$			$T_a = -40$ to 85°C		Unit			
			V_{CC}	Min.	Typ.	Max.	Min.		Max.		
Input voltage	"H" level	V_{IH}	—	2.0	1.5	—	—	1.5	—	V	
				3 to 5.5	$V_{CC} \times 0.7$	—	—	$V_{CC} \times 0.7$	—	V	
	"L" level	V_{IL}	—	2.0	—	—	0.5	—	0.5	V	
				3 to 5.5	—	—	$V_{CC} \times 0.3$	—	$V_{CC} \times 0.3$	V	
Output voltage	"H" level	V_{OH}	$V_{IN} = V_{IL}$	$I_{OH} = -50 \mu\text{A}$	2.0	1.9	2.0	—	1.9	—	V
					3.0	2.9	3.0	—	2.9	—	V
					4.5	4.4	4.5	—	4.4	—	V
				$I_{OH} = -4 \text{ mA}$	3.0	2.58	—	—	2.48	—	V
					4.5	3.94	—	—	3.80	—	V
						—	—	—	—	—	—
	"L" level	V_{OL}	$V_{IN} = V_{IH}$ or V_{IL}	$I_{OL} = 50 \mu\text{A}$	2.0	—	0	0.1	—	0.1	V
					3.0	—	0	0.1	—	0.1	V
					4.5	—	0	0.1	—	0.1	V
					3.0	—	—	0.36	—	0.44	V
4.5	—	—	0.36	—	0.44	V					
Input current	I_{IN}	$V_{IN} = 5.5 \text{ V}$ or GND	0 to 5.5	—	—	± 0.1	—	± 1.0	μA		
Current consumption	I_{CC}	$V_{IN} = V_{CC}$ or GND	5.5	—	—	1.0	—	10.0	μA		

■ AC Electrical Characteristics

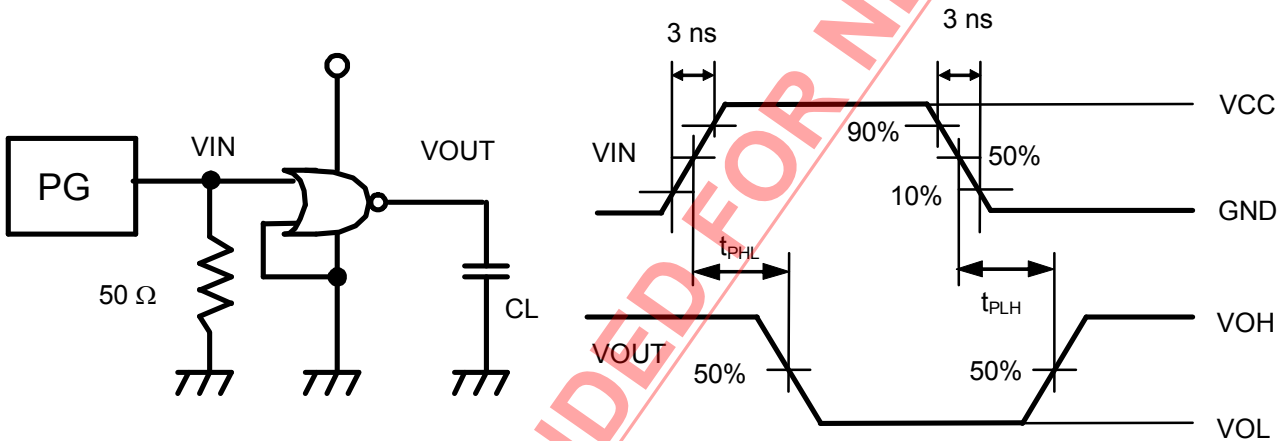
(Input $t_R = t_F = 3$ ns unless otherwise specified)

Item	Symbol	Measurement Conditions		Ta = 25°C			Ta = -40 to 85°C		Unit
		V _{CC} (V)	C _L (pF)	Min.	Typ.	Max.	Min.	Max.	
Propagation delay time	t_{PLH} , t_{PHL}	3.3±0.3	15	—	5.6	7.9	1.0	9.5	ns
			50	—	10.0	14.0	1.0	15.0	ns
		5.0±0.5	15	—	3.6	5.5	1.0	6.5	ns
			50	—	5.7	8.0	1.0	9.0	ns
Input capacitance	C _{IN}	—	—	—	4	10	—	10	pF
Equivalent internal capacitance	C _{PD} ^{*1}	—	—	—	15	—	—	—	pF

*1. C_{PD} is the no-load equivalent capacitance inside the circuitry. Refer to the measurement circuit shown below. Current consumption is averaged by the following equation.

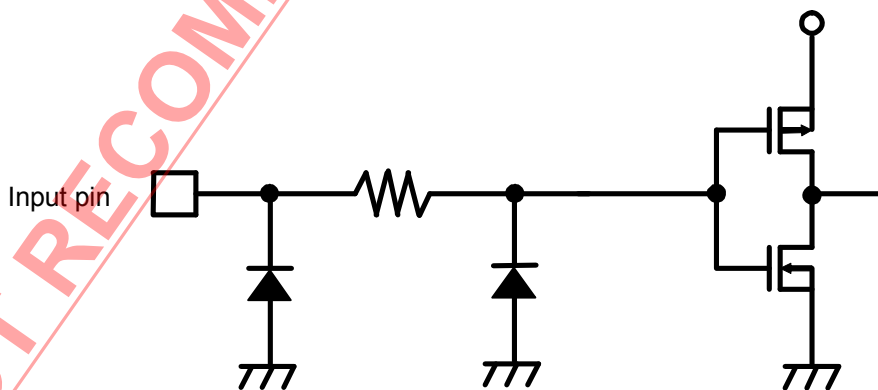
$$I_{CC(opr)} = C_{PD} \times V_{CC} \times fin + I_{CC}$$

Measurement Circuit



Remark No-load output during measurement of current consumption.

■ Input Pin Equivalent Circuit



The S-75V04ANC is a INVERTER fabricated by utilizing advanced silicon-gate CMOS technology which provides the inherent benefit of CMOS low power consumption to achieve ultra high speed operation correspond to LSTTL IC's.

The special purpose unbuffered circuit design is suitable for a wide variety of linear circuits.

Input voltage is allowed to be applied even if power voltage is not supplied because no diode is inserted between an input pin and V_{CC} .

This allows for interfaces between power supplies of different voltage, output level conversion from 5 V to 3 V and battery backup applications.

■ Features

- Wide power supply range: 2 V to 5.5 V
- Low current consumption: 1.0 μ A max. (at 5.5 V, 25°C)
- Typical propagation delay: $t_{PD} = 3.8$ ns (at 5 V)
- High noise immunity: $V_{NIH} = V_{NIL} = 28\%$ V_{CC} min.
- Power down protection: All pins
- Lead-free

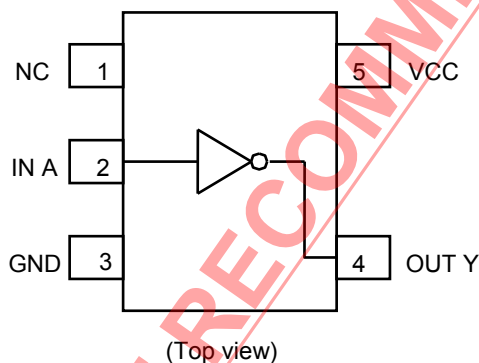
■ Applications

- Personal computers, peripherals
- Cellular phones
- Cameras
- Games

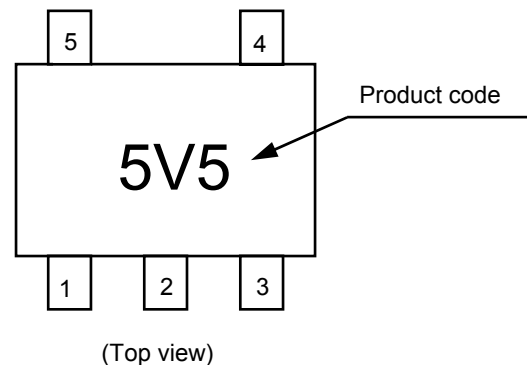
■ Package

- SC-88A

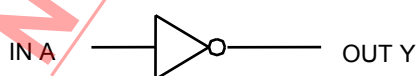
■ Pin Configuration



■ Marking Specification



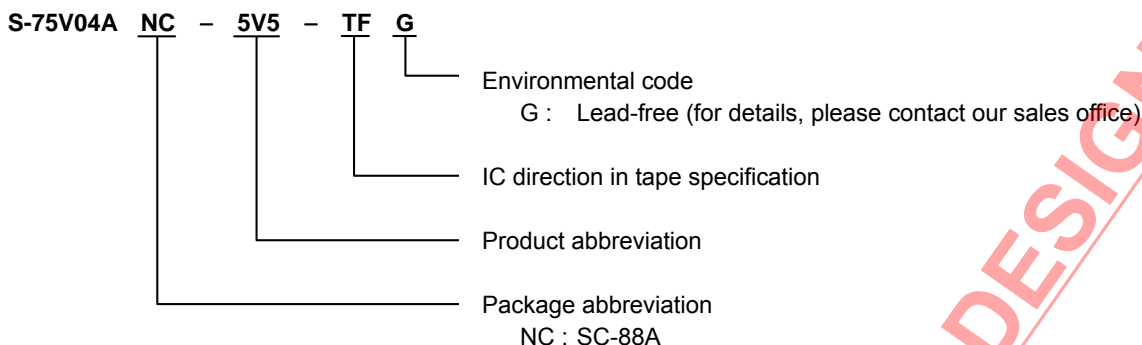
■ Logic Diagram



True values

A	Y
L	H
H	L

■ Product Name Structure



■ Absolute Maximum Ratings

(Ta = 25°C unless otherwise specified)

Item	Symbol	Absolute Maximum Ratings	Unit
Power supply voltage	V_{CC}	-0.5 to +7.0	V
Input voltage	V_{IN}	-0.5 to +7.0	V
Output voltage	V_{OUT}	-0.5 to $V_{CC} + 0.5$	V
Input parasitic diode current	I_{IK}	-20	mA
Output parasitic diode current	I_{OK}	±20	mA
Output current	I_{OUT}	±25	mA
V_{CC}/GND current	I_{CC}	±50	mA
Power dissipation	P_D	200 (When not mounted on board)	mW
		350 ^{*1}	mW
Operating ambient temperature	T_{opr}	-40 to +85	°C
Storage temperature	T_{stg}	-65 to +150	°C
Lead temperature (10 s)	T_L	260	°C

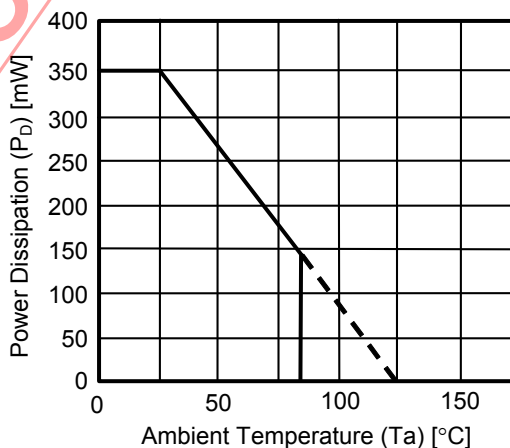
*1. When mounted on board

[Mounted board]

(1) Board size : 114.3 mm × 76.2 mm × 1.6 mm

(2) Board name : JEDEC STANDARD51-7

Caution The absolute maximum ratings are rated values exceeding which the product could suffer physical damage. These values must therefore not be exceeded under any conditions.



Power Dissipation of Package (When Mounted on Board)

■ Recommended Operating Conditions

Item	Symbol	Standard	Unit
Power voltage	V_{CC}	2 to 5.5	V
Input voltage	V_{IN}	0 to 5.5	V
Output voltage	V_{OUT}	0 to V_{CC}	V
Input rise / fall time	t_R, t_F	0 to 100 ($V_{CC} = 3.3 \pm 0.3$ V)	ns
		0 to 20 ($V_{CC} = 5 \pm 0.5$ V)	ns

■ DC Electrical Characteristics

Item	Symbol	Conditions	$T_a = 25^\circ\text{C}$			$T_a = -40$ to 85°C		Unit				
			V_{CC}	Min.	Typ.	Max.	Min.		Max.			
Input voltage	"H" level	V_{IH}	—	2.0	1.5	—	—	1.5	—	V		
				3 to 5.5	$V_{CC} \times 0.7$	—	—	$V_{CC} \times 0.7$	—	V		
	"L" level	V_{IL}	—	2.0	—	—	0.5	—	0.5	V		
				3 to 5.5	—	—	$V_{CC} \times 0.3$	—	$V_{CC} \times 0.3$	V		
Output voltage	"H" level	V_{OH}	$V_{IN} = V_{IL}$	$I_{OH} = -50 \mu\text{A}$	2.0	1.9	2.0	—	1.9	—	V	
					3.0	2.9	3.0	—	2.9	—	V	
					4.5	4.4	4.5	—	4.4	—	V	
				$I_{OH} = -4 \text{ mA}$	3.0	2.58	—	—	2.48	—	V	
					$I_{OH} = -8 \text{ mA}$	4.5	3.94	—	—	3.80	—	V
						—	—	—	—	—	—	V
	"L" level	V_{OL}	$V_{IN} = V_{IH}$	$I_{OL} = 50 \mu\text{A}$	2.0	—	0	0.1	—	0.1	V	
					3.0	—	0	0.1	—	0.1	V	
					4.5	—	0	0.1	—	0.1	V	
					$I_{OL} = 4 \text{ mA}$	3.0	—	—	0.36	—	0.44	V
4.5	—	—	0.36	—		0.44	V					
Input current	I_{IN}	$V_{IN} = 5.5 \text{ V}$ or GND	0 to 5.5	—	—	± 0.1	—	± 1.0	μA			
Current consumption	I_{CC}	$V_{IN} = V_{CC}$ or GND	5.5	—	—	1.0	—	10.0	μA			

■ AC Electrical Characteristics

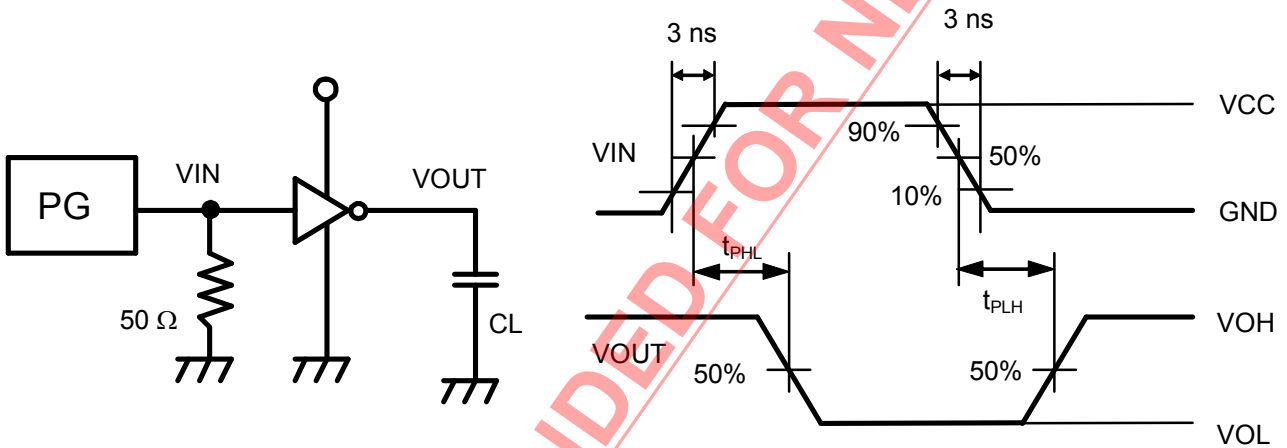
(Input $t_R = t_F = 3$ ns unless otherwise specified)

Item	Symbol	Measurement Conditions		Ta = 25°C			Ta = -40 to 85°C		Unit
		V _{CC} (V)	C _L (pF)	Min.	Typ.	Max.	Min.	Max.	
Propagation delay time	t_{PLH} , t_{PHL}	3.3±0.3	15	—	5.0	7.1	1.0	8.5	ns
			50	—	9.6	13.5	1.0	14.5	ns
		5.0±0.5	15	—	3.8	5.5	1.0	6.5	ns
			50	—	5.7	8.0	1.0	9.0	ns
Input capacitance	C _{IN}	—	—	—	4	10	—	10	pF
Equivalent internal capacitance	C _{PD} ^{*1}	—	—	—	13	—	—	—	pF

*1. C_{PD} is the no-load equivalent capacitance inside the circuitry. Refer to the measurement circuit shown below. Current consumption is averaged by the following equation.

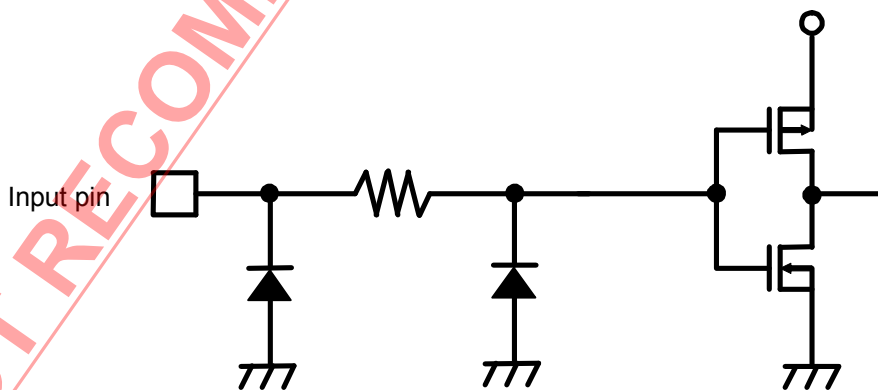
$$I_{CC(opr)} = C_{PD} \times V_{CC} \times f_{in} + I_{CC}$$

Measurement Circuit



Remark No-load output during measurement of current consumption.

■ Input Pin Equivalent Circuit



The S-75VU04ANC is an inverter fabricated by utilizing advanced silicon-gate CMOS technology which provides the inherent benefit of CMOS low power consumption to achieve ultra high speed operation correspond to LSTTL IC's.

The special purpose unbuffered circuit design is suitable for a wide variety of linear circuits.

Input voltage is allowed to be applied even if power voltage is not supplied because no diode is inserted between an input pin and V_{CC} .

This allows for interfaces between power supplies of different voltage, output level conversion from 5 V to 3 V and battery backup applications.

■ Features

- Wide power supply range: 2 V to 5.5 V
- Low current consumption: 1.0 μ A max. (at 5.5 V, 25°C)
- Typical propagation delay: $t_{PD} = 3.5$ ns (at 5 V)
- High noise immunity: $V_{NIH} = V_{NIL} = 10\%$ V_{CC} min.
- Power down protection: All pins
- Lead-free

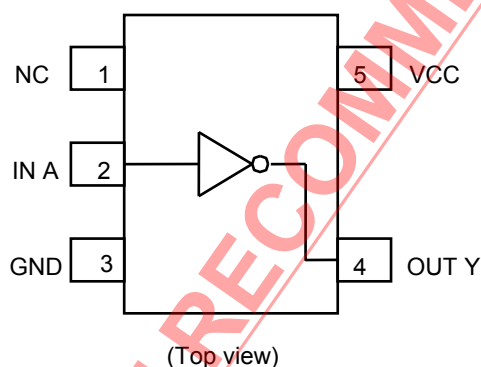
■ Applications

- Personal computers, peripherals
- Cellular phones
- Cameras
- Games

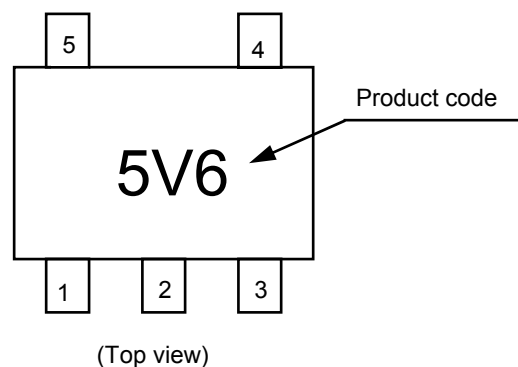
■ Package

- SC-88A

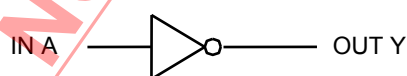
■ Pin Configuration



■ Marking Specification



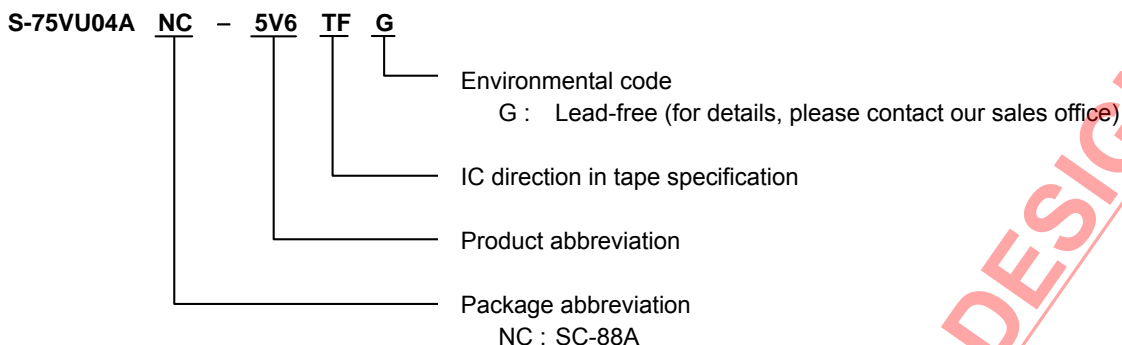
■ Logic Diagram



True values

A	Y
L	H
H	L

■ Product Name Structure



■ Absolute Maximum Ratings

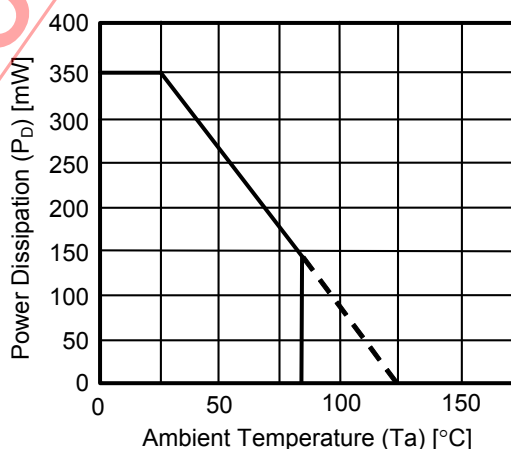
(Ta = 25°C unless otherwise specified)

Item	Symbol	Absolute Maximum Ratings	Unit
Power supply voltage	V_{CC}	-0.5 to +7.0	V
Input voltage	V_{IN}	-0.5 to +7.0	V
Output voltage	V_{OUT}	-0.5 to $V_{CC} + 0.5$	V
Input parasitic diode current	I_{IK}	-20	mA
Output parasitic diode current	I_{OK}	±20	mA
Output current	I_{OUT}	±25	mA
V_{CC} /GND current	I_{CC}	±50	mA
Power dissipation	P_D	200 (When not mounted on board)	mW
		350*1	mW
Operating ambient temperature	T_{opr}	-40 to +85	°C
Storage temperature	T_{stg}	-65 to +150	°C
Lead temperature (10 s)	T_L	260	°C

*1. When mounted on board
[Mounted board]

- (1) Board size : 114.3 mm × 76.2 mm × 1.6 mm
- (2) Board name : JEDEC STANDARD51-7

Caution The absolute maximum ratings are rated values exceeding which the product could suffer physical damage. These values must therefore not be exceeded under any conditions.



Power Dissipation of Package (When Mounted on Board)

■ Recommended Operating Conditions

Item	Symbol	Standard	Unit
Power voltage	V_{CC}	2 to 5.5	V
Input voltage	V_{IN}	0 to 5.5	V
Output voltage	V_{OUT}	0 to V_{CC}	V

■ DC Electrical Characteristics

Item	Symbol	Conditions	Ta = 25°C			Ta = -40 to 85°C		Unit				
			V_{CC}	Min.	Typ.	Max.	Min.		Max.			
Input voltage	"H" level	V_{IH}	$V_{OUT} = V_{OL}$	2.0	1.7	—	—	1.7	—	V		
				3 to 5.5	$V_{CC} \times 0.8$	—	—	$V_{CC} \times 0.8$	—	V		
	"L" level	V_{IL}	$V_{OUT} = V_{OH}$	2.0	—	—	0.3	—	0.3	V		
				3 to 5.5	—	—	$V_{CC} \times 0.2$	—	$V_{CC} \times 0.2$	V		
Output voltage	"H" level	V_{OH}	$V_{IN} = V_{IL}$	$I_{OH} = -50 \mu A$	2.0	1.8	2.0	—	1.8	—	V	
					3.0	2.7	3.0	—	2.7	—	V	
					4.5	4.0	4.5	—	4.0	—	V	
		V_{OH}	$V_{IN} = GND$	$I_{OH} = -4 mA$	3.0	2.58	—	—	2.48	—	V	
					4.5	$I_{OH} = -8 mA$	3.94	—	—	3.80	—	V
							—	—	—	—	—	V
	"L" level	V_{OL}	$V_{IN} = V_{IH}$	$I_{OL} = 50 \mu A$	2.0	—	0	0.2	—	0.2	V	
					3.0	—	0	0.3	—	0.3	V	
			4.5	$I_{OL} = 50 \mu A$	—	—	0	0.5	—	0.5	V	
					$V_{IN} = V_{CC}$	$I_{OL} = 4 mA$	3.0	—	—	0.36	—	0.44
4.5	$I_{OL} = 8 mA$	—	—	—			0.36	—	0.44	V		
		Input current	I_{IN}	$V_{IN} = 5.5 V$ or GND	0 to 5.5	—	—	± 0.1	—	± 1.0	μA	
Current consumption	I_{CC}	$V_{IN} = V_{CC}$ or GND	5.5	—	—	1.0	—	10.0	μA			

■ AC Electrical Characteristics

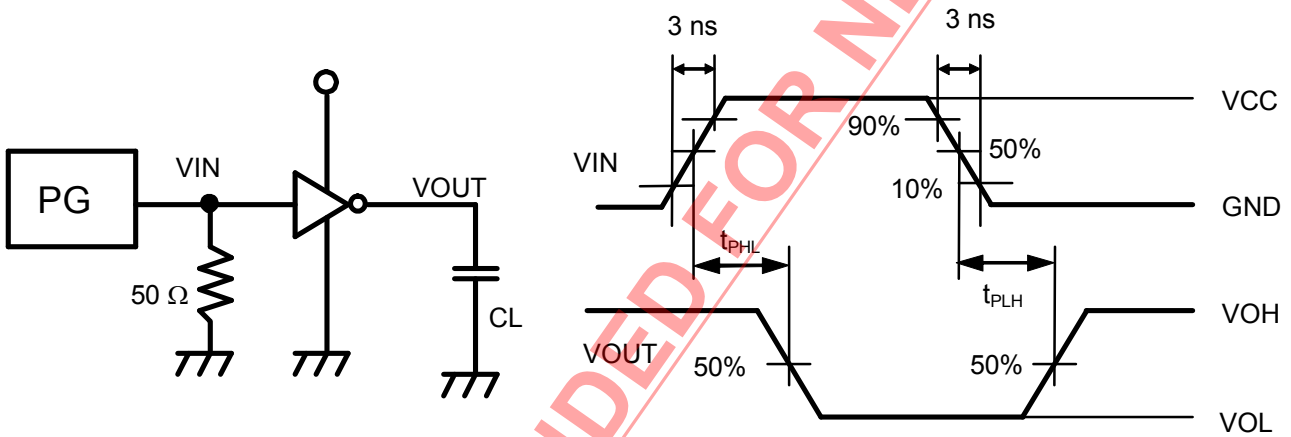
(Input $t_R = t_F = 3$ ns unless otherwise specified)

Item	Symbol	Measurement Conditions		Ta = 25°C			Ta = -40 to 85°C		Unit
		V _{CC} (V)	C _L (pF)	Min.	Typ.	Max.	Min.	Max.	
Propagation delay time	t_{PLH} , t_{PHL}	3.3±0.3	15	—	5.0	8.9	1.0	10.5	ns
			50	—	8.9	12.5	1.0	13.5	ns
		5.0±0.5	15	—	3.5	5.5	1.0	6.5	ns
			50	—	5.4	7.5	1.0	8.0	ns
Input capacitance	C _{IN}	—	—	5	10	—	10	pF	
Equivalent internal capacitance	C _{PD} ^{*1}	—	—	6	—	—	—	pF	

*1. C_{PD} is the no-load equivalent capacitance inside the circuitry. Refer to the measurement circuit shown below. Current consumption is averaged by the following equation.

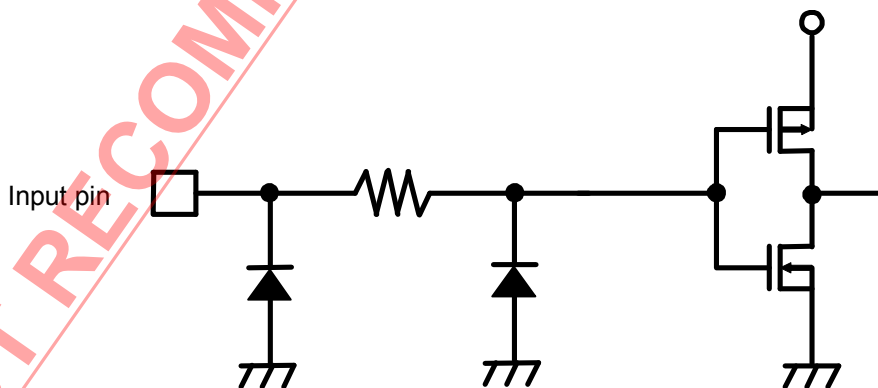
$$I_{CC(opr)} = C_{PD} \times V_{CC} \times f_{in} + I_{CC}$$

Measurement Circuit



Remark No-load output during measurement of current consumption.

■ Input Pin Equivalent Circuit



The S-75V08ANC is a Single 2-Input AND Gate fabricated by utilizing advanced silicon-gate CMOS technology which provides the inherent benefit of CMOS low power consumption to achieve ultra high speed operation correspond to LSTTL IC's.

All gates of the internal circuitry have buffered outputs to ensure high noise immunity and output stability. Input voltage is allowed to be applied even if power voltage is not supplied because no diode is inserted between an input pin and V_{CC} .

This allows for interfaces between power supplies of different voltage, output level conversion from 5 V to 3 V and battery backup applications.

■ Features

- Wide power supply range: 2 V to 5.5 V
- Low current consumption: 1.0 μ A max. (at 5.5 V, 25°C)
- Typical propagation delay: $t_{PD} = 4.3$ ns (at 5 V)
- High noise immunity: $V_{NIH} = V_{NIL} = 28\% V_{CC}$ min.
- Power down protection: All pins
- Lead-free

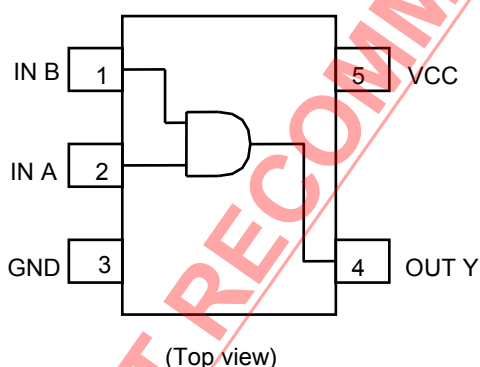
■ Applications

- Personal computers, peripherals
- Cellular phones
- Cameras
- Games

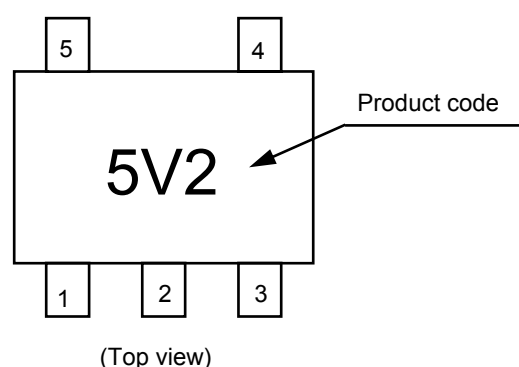
■ Package

- SC-88A

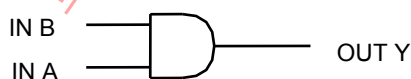
■ Pin Configuration



■ Marking Specification



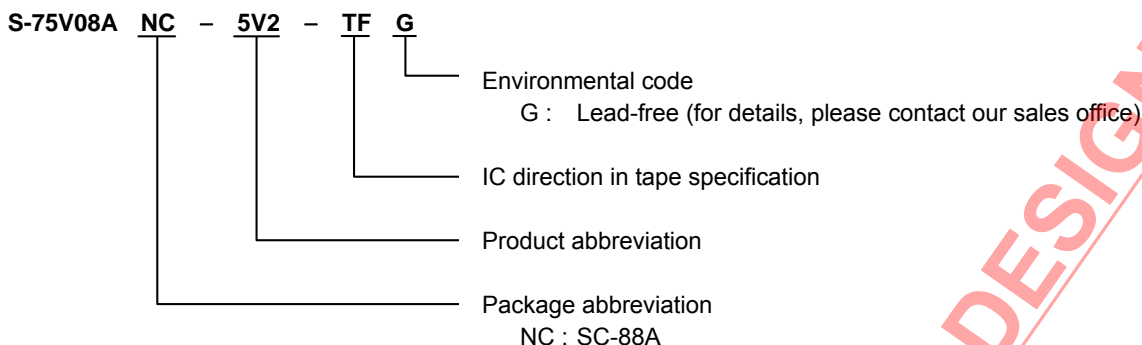
■ Logic Diagram



True values

A	B	Y
L	L	L
L	H	L
H	L	L
H	H	H

■ Product Name Structure



■ Absolute Maximum Ratings

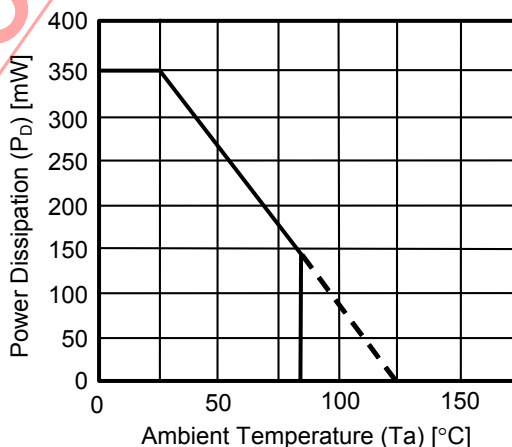
(Ta = 25°C unless otherwise specified)

Item	Symbol	Absolute Maximum Ratings	Unit
Power supply voltage	V_{CC}	-0.5 to +7.0	V
Input voltage	V_{IN}	-0.5 to +7.0	V
Output voltage	V_{OUT}	-0.5 to $V_{CC} + 0.5$	V
Input parasitic diode current	I_{IK}	-20	mA
Output parasitic diode current	I_{OK}	±20	mA
Output current	I_{OUT}	±25	mA
V_{CC}/GND current	I_{CC}	±50	mA
Power dissipation	P_D	200 (When not mounted on board)	mW
		350*1	mW
Operating ambient temperature	T_{opr}	-40 to +85	°C
Storage temperature	T_{stg}	-65 to +150	°C
Lead temperature (10 s)	T_L	260	°C

*1. When mounted on board
[Mounted board]

- (1) Board size : 114.3 mm × 76.2 mm × 1.6 mm
- (2) Board name : JEDEC STANDARD51-7

Caution The absolute maximum ratings are rated values exceeding which the product could suffer physical damage. These values must therefore not be exceeded under any conditions.



Power Dissipation of Package (When Mounted on Board)

■ Recommended Operating Conditions

Item	Symbol	Standard	Unit
Power voltage	V_{CC}	2 to 5.5	V
Input voltage	V_{IN}	0 to 5.5	V
Output voltage	V_{OUT}	0 to V_{CC}	V
Input rise / fall time	t_R, t_F	0 to 100 ($V_{CC} = 3.3 \pm 0.3$ V)	ns
		0 to 20 ($V_{CC} = 5 \pm 0.5$ V)	ns

■ DC Electrical Characteristics

Item	Symbol	Conditions	$T_a = 25^\circ\text{C}$			$T_a = -40$ to 85°C		Unit				
			V_{CC}	Min.	Typ.	Max.	Min.		Max.			
Input voltage	"H" level	V_{IH}	—	2.0	1.5	—	—	1.5	—	V		
				3 to 5.5	$V_{CC} \times 0.7$	—	—	$V_{CC} \times 0.7$	—	V		
	"L" level	V_{IL}	—	2.0	—	—	0.5	—	0.5	V		
				3 to 5.5	—	—	$V_{CC} \times 0.3$	—	$V_{CC} \times 0.3$	V		
Output voltage	"H" level	V_{OH}	$V_{IN} = V_{IH}$	$I_{OH} = -50 \mu\text{A}$	2.0	1.9	2.0	—	1.9	—	V	
					3.0	2.9	3.0	—	2.9	—	V	
					4.5	4.4	4.5	—	4.4	—	V	
				$I_{OH} = -4 \text{ mA}$	3.0	2.58	—	—	2.48	—	V	
					$I_{OH} = -8 \text{ mA}$	4.5	3.94	—	—	3.80	—	V
						—	—	—	—	—	—	V
	"L" level	V_{OL}	$V_{IN} = V_{IH}$ or V_{IL}	$I_{OL} = 50 \mu\text{A}$	2.0	—	0	0.1	—	0.1	V	
					3.0	—	0	0.1	—	0.1	V	
					4.5	—	0	0.1	—	0.1	V	
					$I_{OL} = 4 \text{ mA}$	3.0	—	—	0.36	—	0.44	V
$I_{OL} = 8 \text{ mA}$	4.5	—	—	0.36	—	0.44	V					
Input current	I_{IN}	$V_{IN} = 5.5 \text{ V}$ or GND	0 to 5.5	—	—	± 0.1	—	± 1.0	μA			
Current consumption	I_{CC}	$V_{IN} = V_{CC}$ or GND	5.5	—	—	1.0	—	10.0	μA			

■ AC Electrical Characteristics

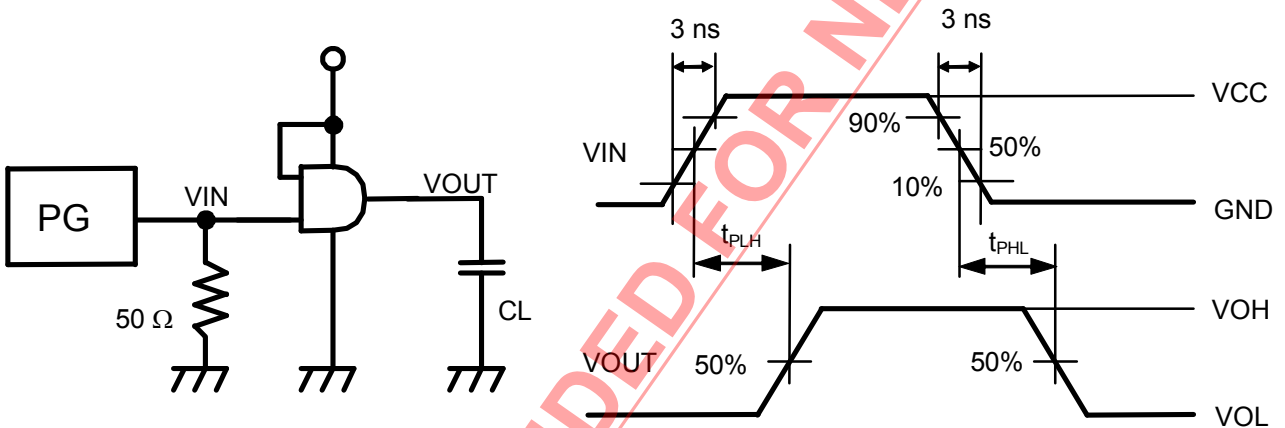
(Input $t_R = t_F = 3$ ns unless otherwise specified)

Item	Symbol	Measurement Conditions		Ta = 25°C			Ta = -40 to 85°C		Unit
		V _{CC} (V)	C _L (pF)	Min.	Typ.	Max.	Min.	Max.	
Propagation delay time	t_{PLH} , t_{PHL}	3.3±0.3	15	—	6.2	8.8	1.0	10.5	ns
			50	—	9.6	13.5	1.0	14.5	ns
		5.0±0.5	15	—	4.3	5.9	1.0	7.0	ns
			50	—	5.7	7.9	1.0	9.0	ns
Input capacitance	C _{IN}	—	—	—	4	10	—	10	pF
Equivalent internal capacitance	C _{PD} ^{*1}	—	—	—	14	—	—	—	pF

*1. C_{PD} is the no-load equivalent capacitance inside the circuitry. Refer to the measurement circuit shown below. Current consumption is averaged by the following equation.

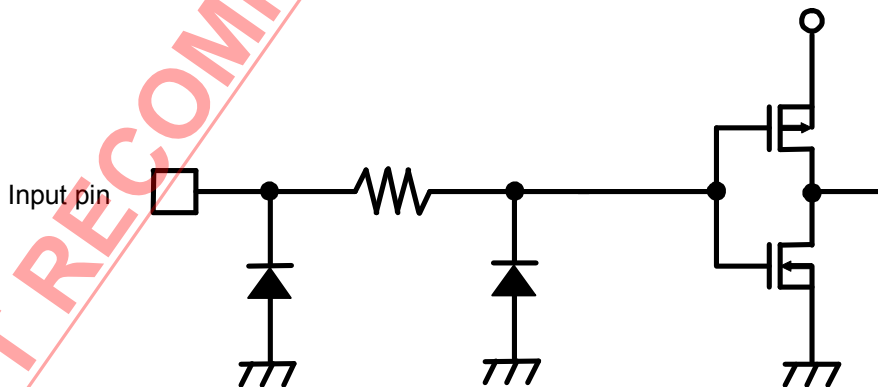
$$I_{CC(opr)} = C_{PD} \times V_{CC} \times fin + I_{CC}$$

Measurement Circuit



Remark No-load output during measurement of current consumption.

■ Input Pin Equivalent Circuit



The S-75V14ANC is a SCHMITT INVERTER fabricated by utilizing advanced silicon-gate CMOS technology which provides the inherent benefit of CMOS low power consumption to achieve ultra high speed operation correspond to LSTTL IC's. All gates of the internal circuitry have buffered outputs to ensure high noise immunity and output stability. Input voltage is allowed to be applied even if power voltage is not supplied because no diode is inserted between an input pin and V_{CC} .

This allows for interfaces between power supplies of different voltage, output level conversion from 5 V to 3 V and battery backup applications.

■ Features

- Wide power supply range: 2 V to 5.5 V
- Low current consumption: 1.0 μ A max. (at 5.5 V, 25°C)
- Typical propagation delay: $t_{PD} = 5.5$ ns (at 5 V)
- High noise immunity: $V_{NIH} = V_{NIL} = 28\% V_{CC}$ min.
- Power down protection: All pins
- Lead-free

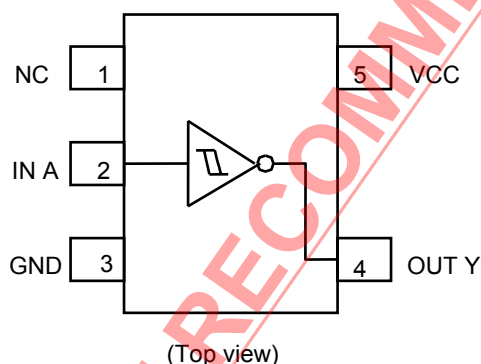
■ Applications

- Personal computers, peripherals
- Cellular phones
- Cameras
- Games

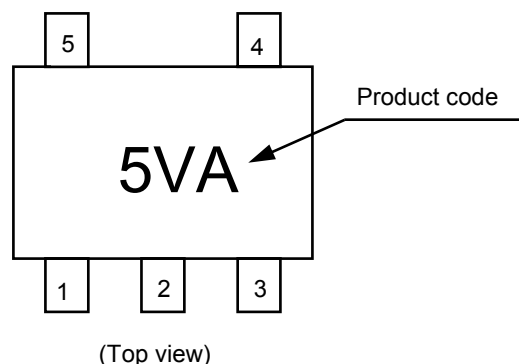
■ Package

- SC-88A

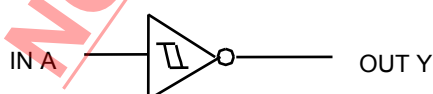
■ Pin Configuration



■ Marking Specification



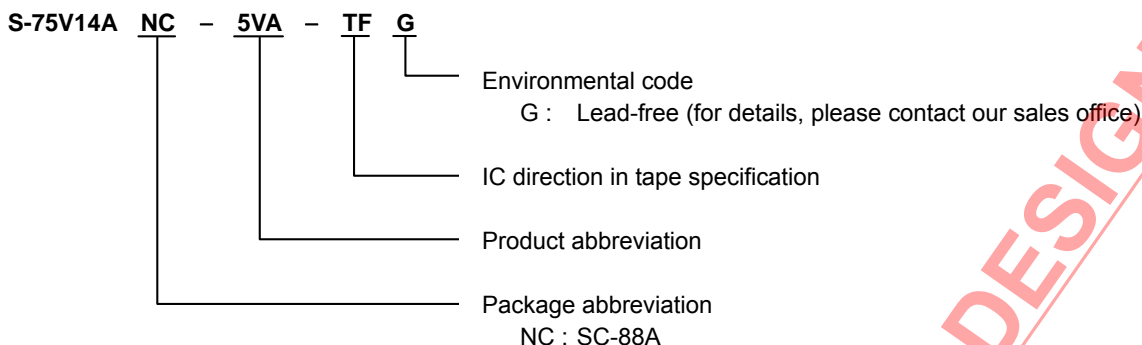
■ Logic Diagram



True values

A	Y
L	H
H	L

■ Product Name Structure



■ Absolute Maximum Ratings

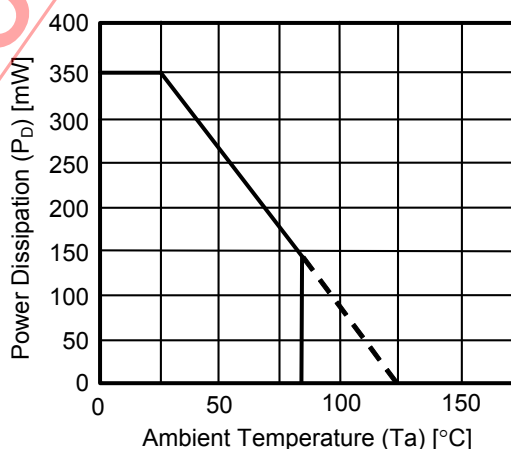
(Ta = 25°C unless otherwise specified)

Item	Symbol	Absolute Maximum Ratings	Unit
Power supply voltage	V_{CC}	-0.5 to +7.0	V
Input voltage	V_{IN}	-0.5 to +7.0	V
Output voltage	V_{OUT}	-0.5 to $V_{CC} + 0.5$	V
Input parasitic diode current	I_{IK}	-20	mA
Output parasitic diode current	I_{OK}	±20	mA
Output current	I_{OUT}	±25	mA
V_{CC} /GND current	I_{CC}	±50	mA
Power dissipation	P_D	200 (When not mounted on board)	mW
		350*1	mW
Operating ambient temperature	T_{opr}	-40 to +85	°C
Storage temperature	T_{stg}	-65 to +150	°C
Lead temperature (10 s)	T_L	260	°C

*1. When mounted on board
[Mounted board]

- (1) Board size : 114.3 mm × 76.2 mm × 1.6 mm
- (2) Board name : JEDEC STANDARD51-7

Caution The absolute maximum ratings are rated values exceeding which the product could suffer physical damage. These values must therefore not be exceeded under any conditions.



Power Dissipation of Package (When Mounted on Board)

■ Recommended Operating Conditions

Item	Symbol	Standard	Unit
Power voltage	V_{CC}	2 to 5.5	V
Input voltage	V_{IN}	0 to 5.5	V
Output voltage	V_{OUT}	0 to V_{CC}	V

■ DC Electrical Characteristics

Item	Symbol	Conditions	Ta = 25°C			Ta = -40 to 85°C		Unit			
			V_{CC}	Min.	Typ.	Max.	Min.		Max.		
Threshold voltage	"H" level	V_P	—	3.0	—	—	2.20	—	2.20	V	
				4.5	—	—	3.15	—	3.15	V	
				5.5	—	—	3.85	—	3.85	V	
	"L" level	V_N	—	3.0	0.90	—	—	0.90	—	V	
				4.5	1.35	—	—	1.35	—	V	
				5.5	1.65	—	—	1.65	—	V	
Hysteresis voltage	V_H	—	3.0	0.30	—	—	0.30	—	1.20	V	
			4.5	0.40	—	—	0.40	—	1.40	V	
			5.5	0.5	—	—	0.5	—	1.60	V	
Output voltage	"H" level	V_{OH}	$V_{IN} = V_{IL}$	$I_{OH} = -50 \mu A$	2.0	1.9	2.0	—	1.9	—	V
					3.0	2.9	3.0	—	2.9	—	V
					4.5	4.4	4.5	—	4.4	—	V
				$I_{OH} = -4 \text{ mA}$	3.0	2.58	—	—	2.48	—	V
					4.5	3.94	—	—	3.80	—	V
					5.5	—	—	—	—	—	V
	"L" level	V_{OL}	$V_{IN} = V_{IH}$	$I_{OL} = 50 \mu A$	2.0	—	0	0.1	—	0.1	V
					3.0	—	0	0.1	—	0.1	V
					4.5	—	0	0.1	—	0.1	V
				$I_{OL} = 4 \text{ mA}$	3.0	—	—	0.36	—	0.44	V
					4.5	—	—	0.36	—	0.44	V
					5.5	—	—	—	—	—	V
Input current	I_{IN}	$V_{IN} = 5.5 \text{ V or GND}$	0 to 5.5	—	—	± 0.1	—	± 1.0	μA		
Current consumption	I_{CC}	$V_{IN} = V_{CC} \text{ or GND}$	5.5	—	—	1.0	—	10.0	μA		

■ AC Electrical Characteristics

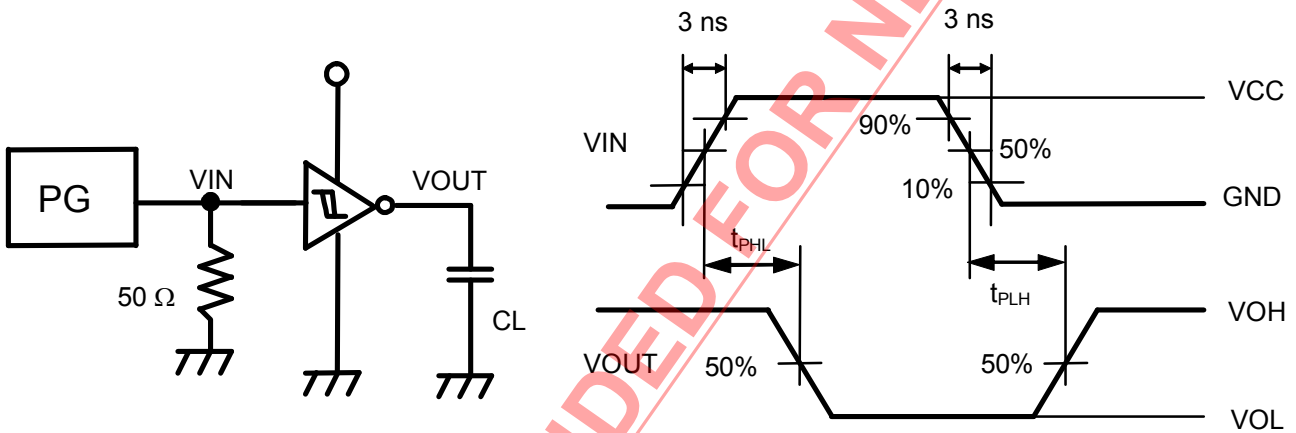
(Input $t_R = t_F = 3$ ns unless otherwise specified)

Item	Symbol	Measurement Conditions		Ta = 25°C			Ta = -40 to 85°C		Unit
		V _{CC} (V)	C _L (pF)	Min.	Typ.	Max.	Min.	Max.	
Propagation delay time	t_{PLH} , t_{PHL}	3.3±0.3	15	—	8.3	12.8	1.0	15.0	ns
			50	—	10.8	16.3	1.0	18.5	ns
		5.0±0.5	15	—	5.5	8.6	1.0	10.0	ns
			50	—	7.0	10.6	1.0	12.0	ns
Input capacitance	C _{IN}	—	—	4	10	—	10	pF	
Equivalent internal capacitance	C _{PD} ^{*1}	—	—	14	—	—	—	pF	

*1. C_{PD} is the no-load equivalent capacitance inside the circuitry. Refer to the measurement circuit shown below.
Current consumption is averaged by the following equation.

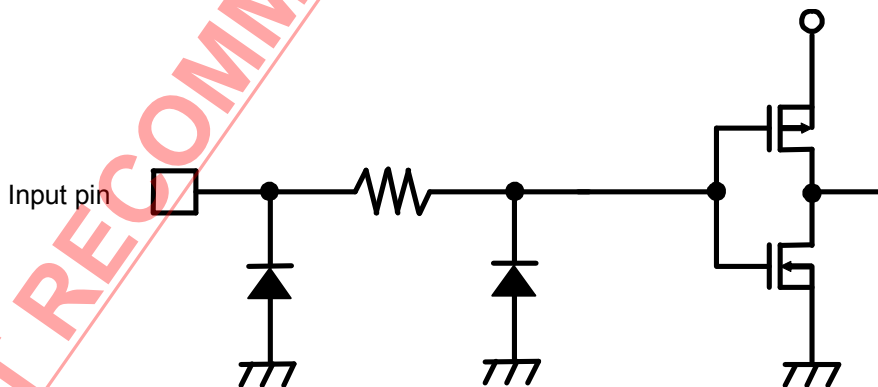
$$I_{CC(opr)} = C_{PD} \times V_{CC} \times f_{in} + I_{CC}$$

Measurement Circuit



Remark No-load output during measurement of current consumption.

■ Input Pin Equivalent Circuit



The S-75V32ANC is a single 2-input OR gate fabricated by utilizing advanced silicon-gate CMOS technology which provides the inherent benefit of CMOS low power consumption to achieve ultra high speed operation correspond to LSTTL IC's.

All gates of the internal circuitry have buffered outputs to ensure high noise immunity and output stability. Input voltage is allowed to be applied even if power voltage is not supplied because no diode is inserted between an input pin and V_{CC} .

This allows for interfaces between power supplies of different voltage, output level conversion from 5 V to 3 V and battery backup applications.

■ Features

- Wide power supply range: 2 V to 5.5 V
- Low current consumption: 1.0 μ A max. (at 5.5 V, 25°C)
- Typical propagation delay: $t_{PD} = 3.8$ ns (at 5 V)
- High noise immunity: $V_{NIH} = V_{NIL} = 28\%$ V_{CC} min.
- Power down protection: All pins
- Lead-free

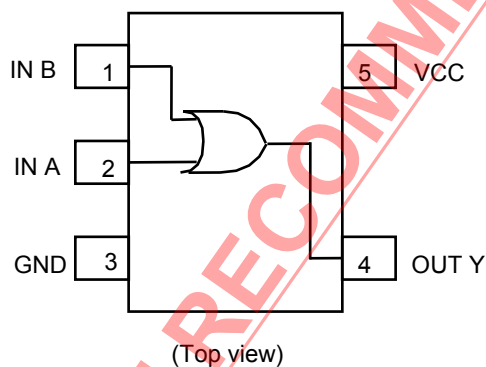
■ Applications

- Personal computers, peripherals
- Cellular phones
- Cameras
- Games

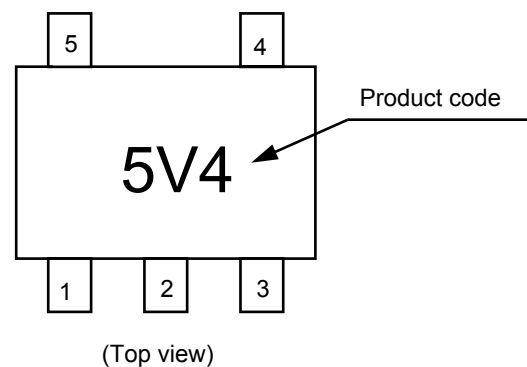
■ Package

- SC-88A

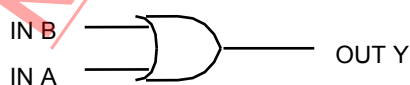
■ Pin Configuration



■ Marking Specification



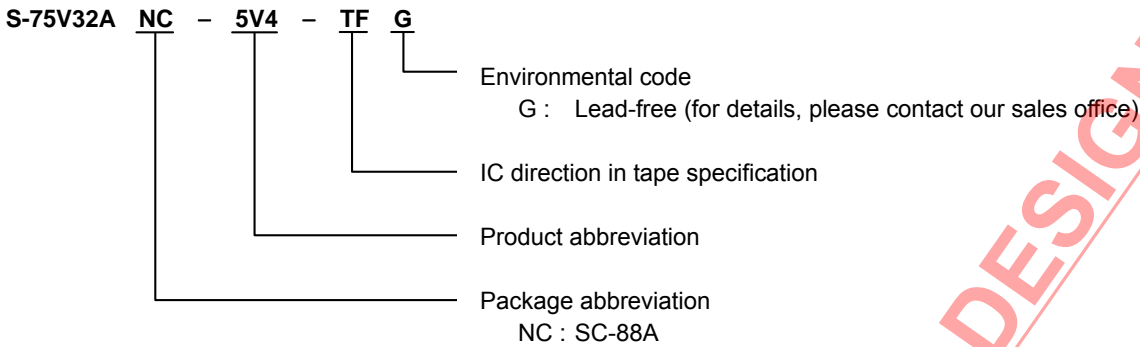
■ Logic Diagram



True values

A	B	Y
L	L	L
L	H	H
H	L	H
H	H	H

■ Product Name Structure



■ Absolute Maximum Ratings

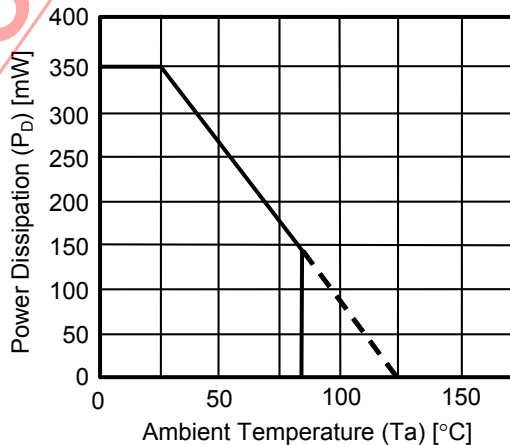
(Ta = 25°C unless otherwise specified)

Item	Symbol	Absolute Maximum Ratings	Unit
Power supply voltage	V_{CC}	-0.5 to +7.0	V
Input voltage	V_{IN}	-0.5 to +7.0	V
Output voltage	V_{OUT}	-0.5 to $V_{CC} + 0.5$	V
Input parasitic diode current	I_{IK}	-20	mA
Output parasitic diode current	I_{OK}	±20	mA
Output current	I_{OUT}	±25	mA
V_{CC} /GND current	I_{CC}	±50	mA
Power dissipation	P_D	200 (When not mounted on board)	mW
		350*1	mW
Operating ambient temperature	T_{opr}	-40 to +85	°C
Storage temperature	T_{stg}	-65 to +150	°C
Lead temperature (10 s)	T_L	260	°C

*1. When mounted on board
[Mounted board]

- (1) Board size : 114.3 mm × 76.2 mm × 1.6 mm
- (2) Board name : JEDEC STANDARD51-7

Caution The absolute maximum ratings are rated values exceeding which the product could suffer physical damage. These values must therefore not be exceeded under any conditions.



Power Dissipation of Package (When Mounted on Board)

■ Recommended Operating Conditions

Item	Symbol	Standard	Unit
Power voltage	V_{CC}	2 to 5.5	V
Input voltage	V_{IN}	0 to 5.5	V
Output voltage	V_{OUT}	0 to V_{CC}	V
Input rise / fall time	t_R, t_F	0 to 100 ($V_{CC} = 3.3 \pm 0.3$ V)	ns
		0 to 20 ($V_{CC} = 5 \pm 0.5$ V)	ns

■ DC Electrical Characteristics

Item	Symbol	Conditions	$T_a = 25^\circ\text{C}$			$T_a = -40$ to 85°C		Unit				
			V_{CC}	Min.	Typ.	Max.	Min.		Max.			
Input voltage	"H" level	V_{IH}	—	2.0	1.5	—	—	1.5	—	V		
				3 to 5.5	$V_{CC} \times 0.7$	—	—	$V_{CC} \times 0.7$	—	V		
	"L" level	V_{IL}	—	2.0	—	—	0.5	—	0.5	V		
				3 to 5.5	—	—	$V_{CC} \times 0.3$	—	$V_{CC} \times 0.3$	V		
Output voltage	"H" level	V_{OH}	$V_{IN} = V_{IL}$ or V_{IH}	$I_{OH} = -50 \mu\text{A}$	2.0	1.9	2.0	—	1.9	—	V	
					3.0	2.9	3.0	—	2.9	—	V	
					4.5	4.4	4.5	—	4.4	—	V	
				$I_{OH} = -4 \text{ mA}$	3.0	2.58	—	—	2.48	—	V	
					$I_{OH} = -8 \text{ mA}$	4.5	3.94	—	—	3.80	—	V
						—	—	—	—	—	—	V
	"L" level	V_{OL}	$V_{IN} = V_{IL}$	$I_{OL} = 50 \mu\text{A}$	2.0	—	0	0.1	—	0.1	V	
					3.0	—	0	0.1	—	0.1	V	
					4.5	—	0	0.1	—	0.1	V	
					$I_{OL} = 4 \text{ mA}$	3.0	—	—	0.36	—	0.44	V
$I_{OL} = 8 \text{ mA}$	4.5	—	—	0.36	—	0.44	V					
Input current	I_{IN}	$V_{IN} = 5.5 \text{ V}$ or GND	0 to 5.5	—	—	± 0.1	—	± 1.0	μA			
Current consumption	I_{CC}	$V_{IN} = V_{CC}$ or GND	5.5	—	—	1.0	—	10.0	μA			

■ AC Electrical Characteristics

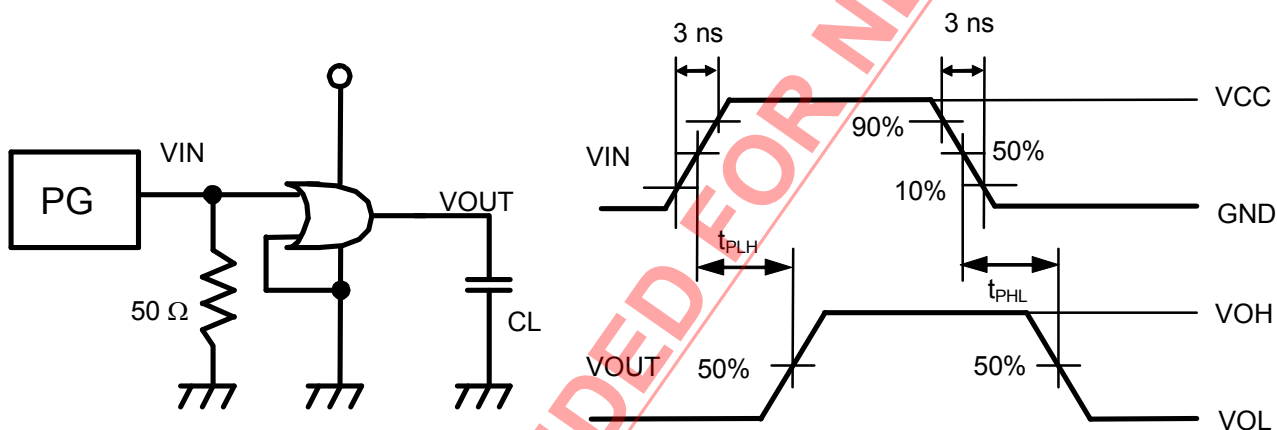
(Input $t_R = t_F = 3$ ns unless otherwise specified)

Item	Symbol	Measurement Conditions		Ta = 25°C			Ta = -40 to 85°C		Unit
		V _{CC} (V)	C _L (pF)	Min.	Typ.	Max.	Min.	Max.	
Propagation delay time	t_{PLH} , t_{PHL}	3.3±0.3	15	—	5.5	7.9	1.0	9.5	ns
			50	—	10.0	14.0	1.0	15.0	ns
		5.0±0.5	15	—	3.8	5.5	1.0	6.5	ns
			50	—	6.1	8.5	1.0	9.0	ns
Input capacitance	C _{IN}	—	—	—	4	10	—	10	pF
Equivalent internal capacitance	C _{PD} ^{*1}	—	—	—	15	—	—	—	pF

*1. C_{PD} is the no-load equivalent capacitance inside the circuitry. Refer to the measurement circuit shown below. Current consumption is averaged by the following equation.

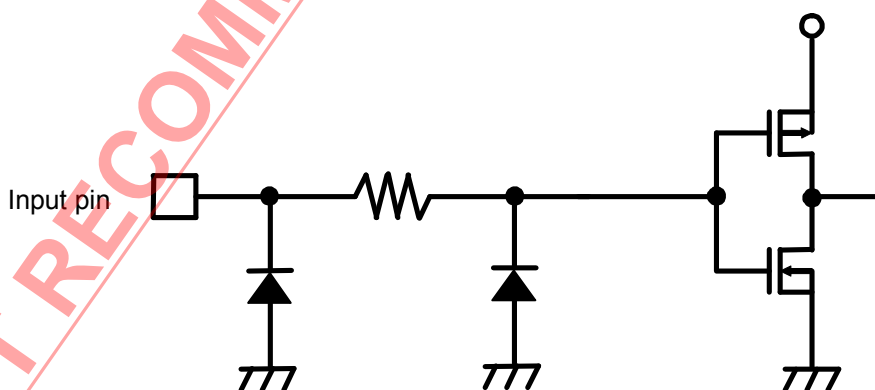
$$I_{CC(opr)} = C_{PD} \times V_{CC} \times fin + I_{CC}$$

Measurement Circuit



Remark No-load output during measurement of current consumption.

■ Input Pin Equivalent Circuit



The S-75V86ANC is a EXCLUSIVE OR GATE fabricated by utilizing advanced silicon-gate CMOS technology which provides the inherent benefit of CMOS low power consumption to achieve ultra high speed operation correspond to LSTTL IC's.

All gates of the internal circuitry have buffered outputs to ensure high noise immunity and output stability. Input voltage is allowed to be applied even if power voltage is not supplied because no diode is inserted between an input pin and V_{CC} .

This allows for interfaces between power supplies of different voltage, output level conversion from 5 V to 3 V and battery backup applications.

■ Features

- Wide power supply range: 2 V to 5.5 V
- Low current consumption: 1.0 μ A max. (at 5.5 V, 25°C)
- Typical propagation delay: $t_{PD} = 4.8$ ns (at 5 V)
- High noise immunity: $V_{NIH} = V_{NIL} = 28\% V_{CC}$ min.
- Power down protection: All pins
- Lead-free

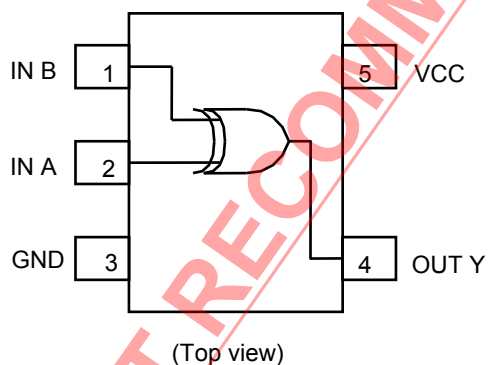
■ Applications

- Personal computers, peripherals
- Cellular phones
- Cameras
- Games

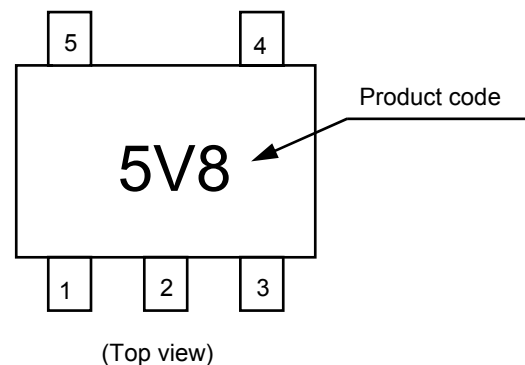
■ Package

- SC-88A

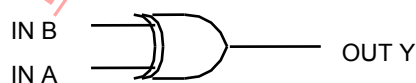
■ Pin Configuration



■ Marking Specification



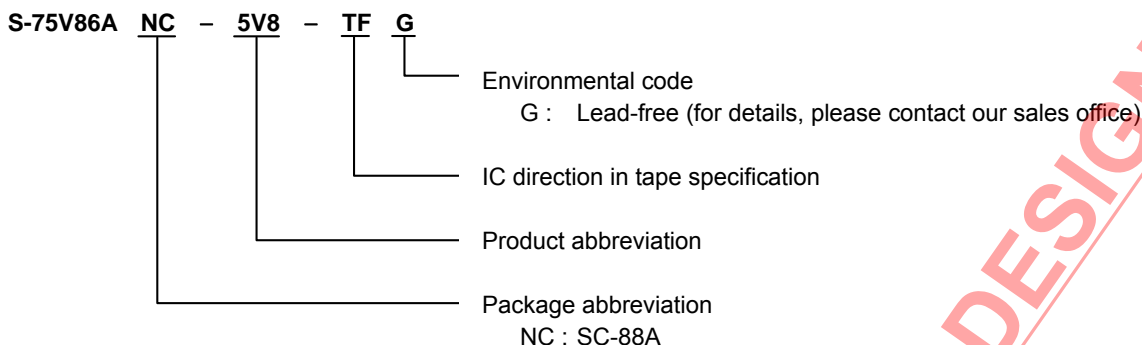
■ Logic Diagram



True values

A	B	Y
L	L	L
L	H	H
H	L	H
H	H	L

■ Product Name Structure



■ Absolute Maximum Ratings

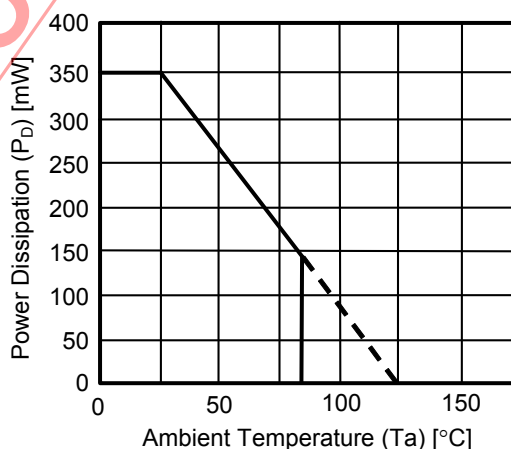
(Ta = 25°C unless otherwise specified)

Item	Symbol	Absolute Maximum Ratings	Unit
Power supply voltage	V_{CC}	-0.5 to +7.0	V
Input voltage	V_{IN}	-0.5 to +7.0	V
Output voltage	V_{OUT}	-0.5 to $V_{CC} + 0.5$	V
Input parasitic diode current	I_{IK}	-20	mA
Output parasitic diode current	I_{OK}	±20	mA
Output current	I_{OUT}	±25	mA
V_{CC}/GND current	I_{CC}	±50	mA
Power dissipation	P_D	200 (When not mounted on board)	mW
		350*1	mW
Operating ambient temperature	T_{opr}	-40 to +85	°C
Storage temperature	T_{stg}	-65 to +150	°C
Lead temperature (10 s)	T_L	260	°C

*1. When mounted on board
[Mounted board]

- (1) Board size : 114.3 mm × 76.2 mm × 1.6 mm
- (2) Board name : JEDEC STANDARD51-7

Caution The absolute maximum ratings are rated values exceeding which the product could suffer physical damage. These values must therefore not be exceeded under any conditions.



Power Dissipation of Package (When Mounted on Board)

■ Recommended Operating Conditions

Item	Symbol	Standard	Unit
Power voltage	V_{CC}	2 to 5.5	V
Input voltage	V_{IN}	0 to 5.5	V
Output voltage	V_{OUT}	0 to V_{CC}	V
Input rise / fall time	t_R, t_F	0 to 100 ($V_{CC} = 3.3 \pm 0.3$ V)	ns
		0 to 20 ($V_{CC} = 5 \pm 0.5$ V)	ns

■ DC Electrical Characteristics

Item	Symbol	Conditions	$T_a = 25^\circ\text{C}$			$T_a = -40$ to 85°C		Unit				
			V_{CC}	Min.	Typ.	Max.	Min.		Max.			
Input voltage	"H" level	V_{IH}	—	2.0	1.5	—	—	1.5	—	V		
			3 to 5.5	$V_{CC} \times 0.7$	—	—	$V_{CC} \times 0.7$	—	—	V		
	"L" level	V_{IL}	—	2.0	—	—	0.5	—	0.5	V		
			3 to 5.5	—	—	$V_{CC} \times 0.3$	—	$V_{CC} \times 0.3$	V			
Output voltage	"H" level	V_{OH}	$V_{IN} = V_{IL}$ or V_{IH}	$I_{OH} = -50 \mu\text{A}$	2.0	1.9	2.0	—	1.9	—	V	
					3.0	2.9	3.0	—	2.9	—	V	
					4.5	4.4	4.5	—	4.4	—	V	
				$I_{OH} = -4 \text{ mA}$	3.0	2.58	—	—	2.48	—	V	
					$I_{OH} = -8 \text{ mA}$	4.5	3.94	—	—	3.80	—	V
						—	—	—	—	—	—	—
	"L" level	V_{OL}	$V_{IN} = V_{IL}$ or V_{IH}	$I_{OL} = 50 \mu\text{A}$	2.0	—	0	0.1	—	0.1	V	
					3.0	—	0	0.1	—	0.1	V	
					4.5	—	0	0.1	—	0.1	V	
					$I_{OL} = 4 \text{ mA}$	3.0	—	—	0.36	—	0.44	V
$I_{OL} = 8 \text{ mA}$	4.5	—	—	0.36	—	0.44	V					
Input current	I_{IN}	$V_{IN} = 5.5 \text{ V}$ or GND	0 to 5.5	—	—	± 0.1	—	± 1.0	μA			
Current consumption	I_{CC}	$V_{IN} = V_{CC}$ or GND	5.5	—	—	1.0	—	10.0	μA			

■ AC Electrical Characteristics

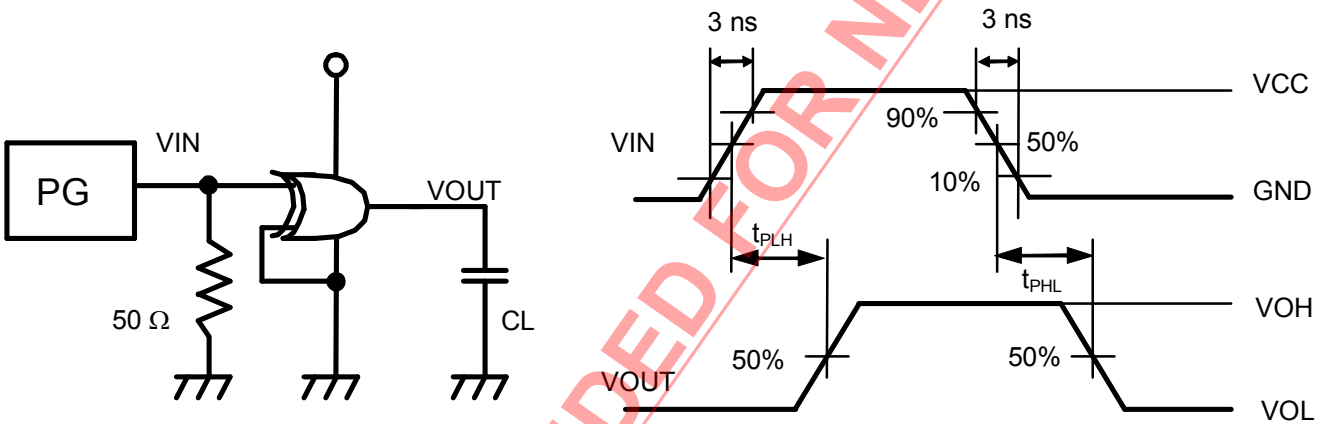
(Input $t_R = t_F = 3$ ns unless otherwise specified)

Item	Symbol	Measurement Conditions		Ta = 25°C			Ta = -40 to 85°C		Unit
		V _{CC} (V)	C _L (pF)	Min.	Typ.	Max.	Min.	Max.	
Propagation delay time	t_{PLH} , t_{PHL}	3.3±0.3	15	—	7.0	11.0	1.0	13.0	ns
			50	—	10.4	14.5	1.0	16.5	ns
		5.0±0.5	15	—	4.8	6.8	1.0	8.0	ns
			50	—	6.5	9.0	1.0	10.0	ns
Input capacitance	C _{IN}	—	—	4	10	—	10	pF	
Equivalent internal capacitance	C _{PD} ^{*1}	—	—	18	—	—	—	pF	

*1. C_{PD} is the no-load equivalent capacitance inside the circuitry. Refer to the measurement circuit shown below. Current consumption is averaged by the following equation.

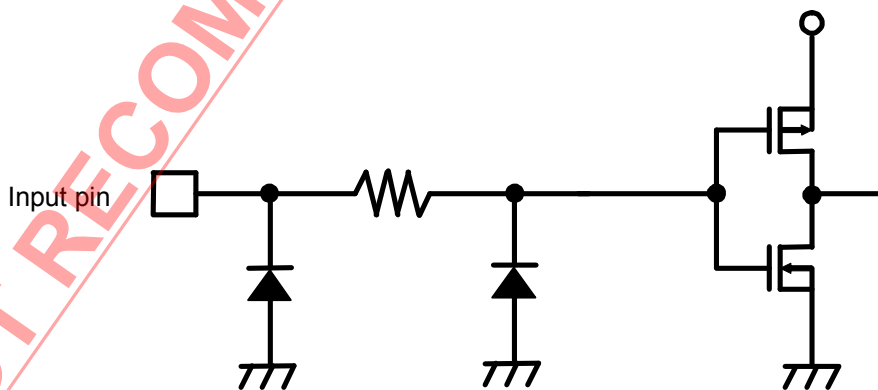
$$I_{CC(opr)} = C_{PD} \times V_{CC} \times fin + I_{CC}$$

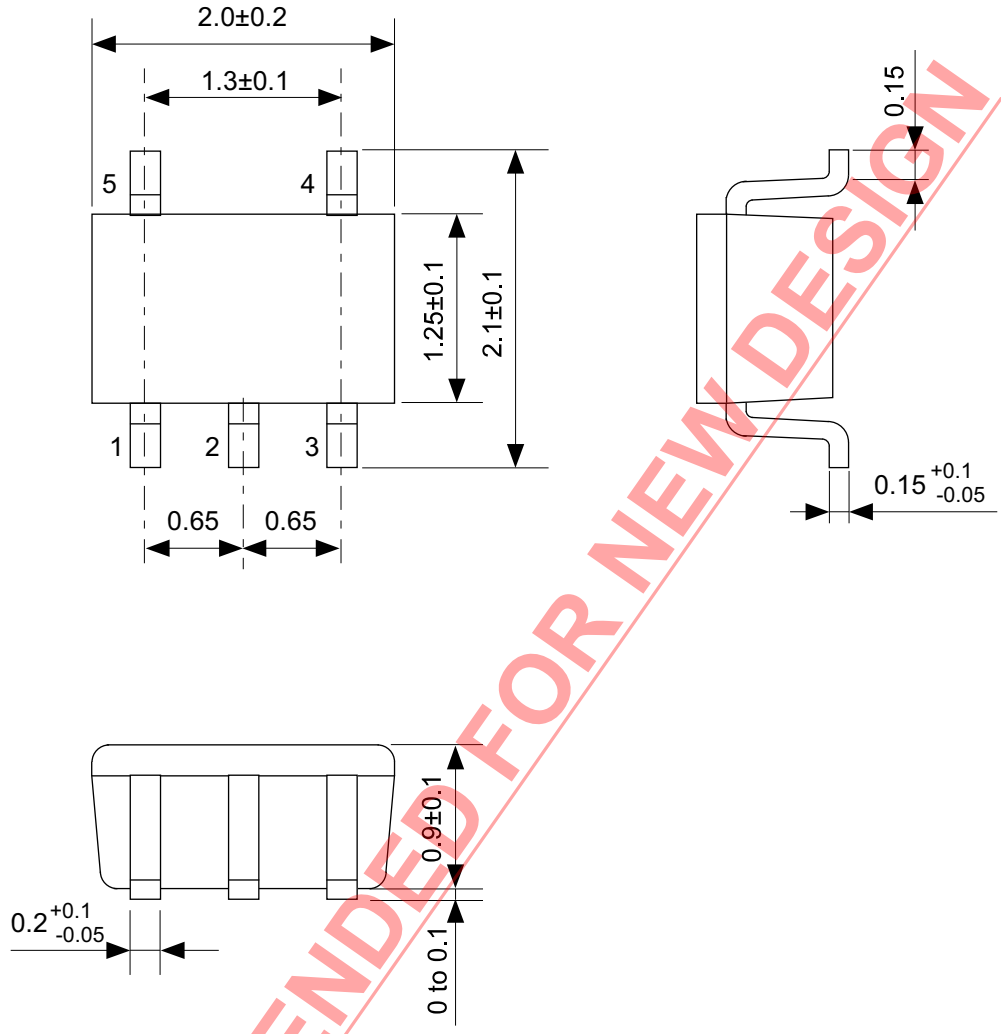
Measurement Circuit



Remark No-load output during measurement of current consumption.

■ Input Pin Equivalent Circuit

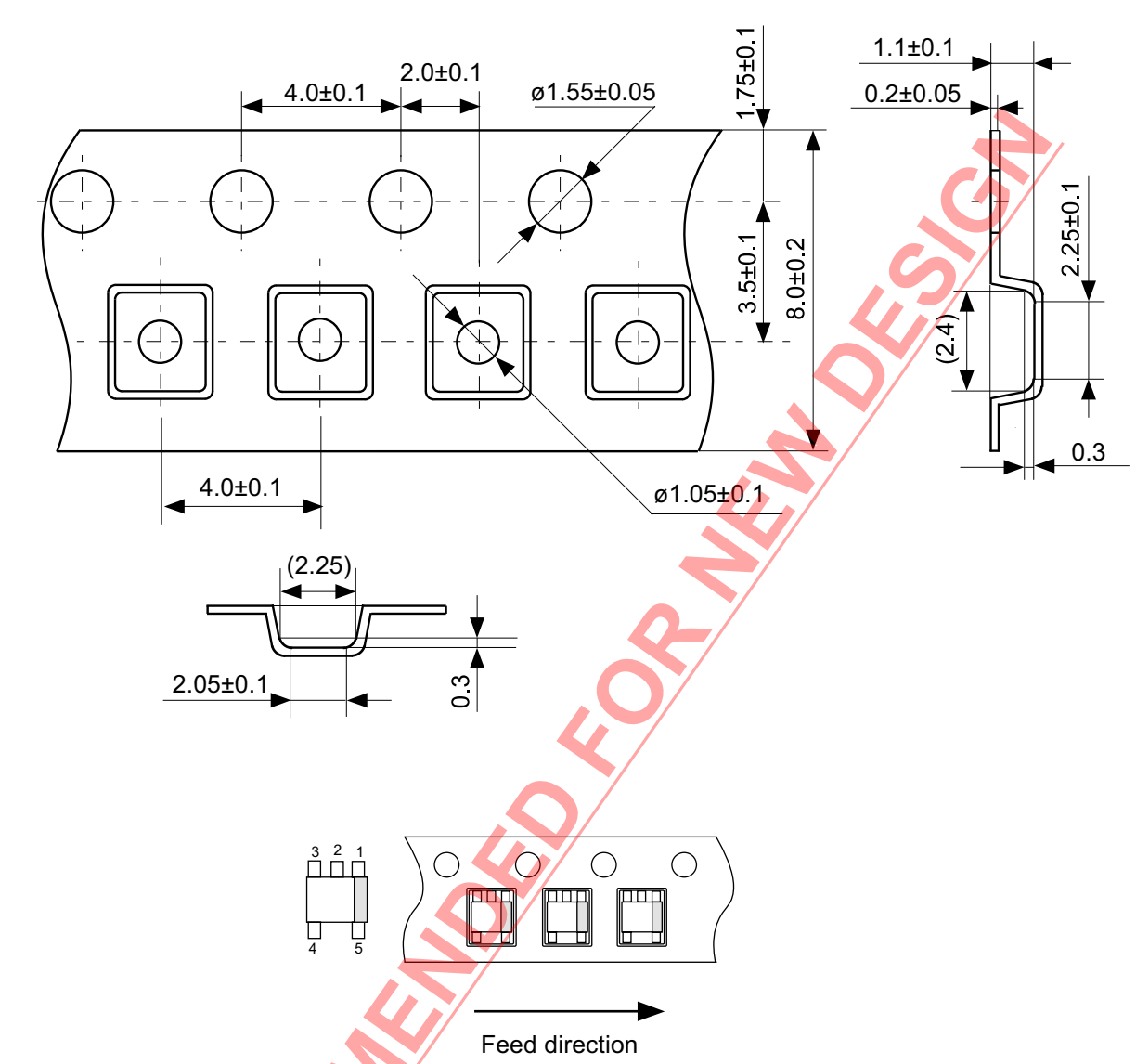




NOT RECOMMENDED FOR NEW DESIGN

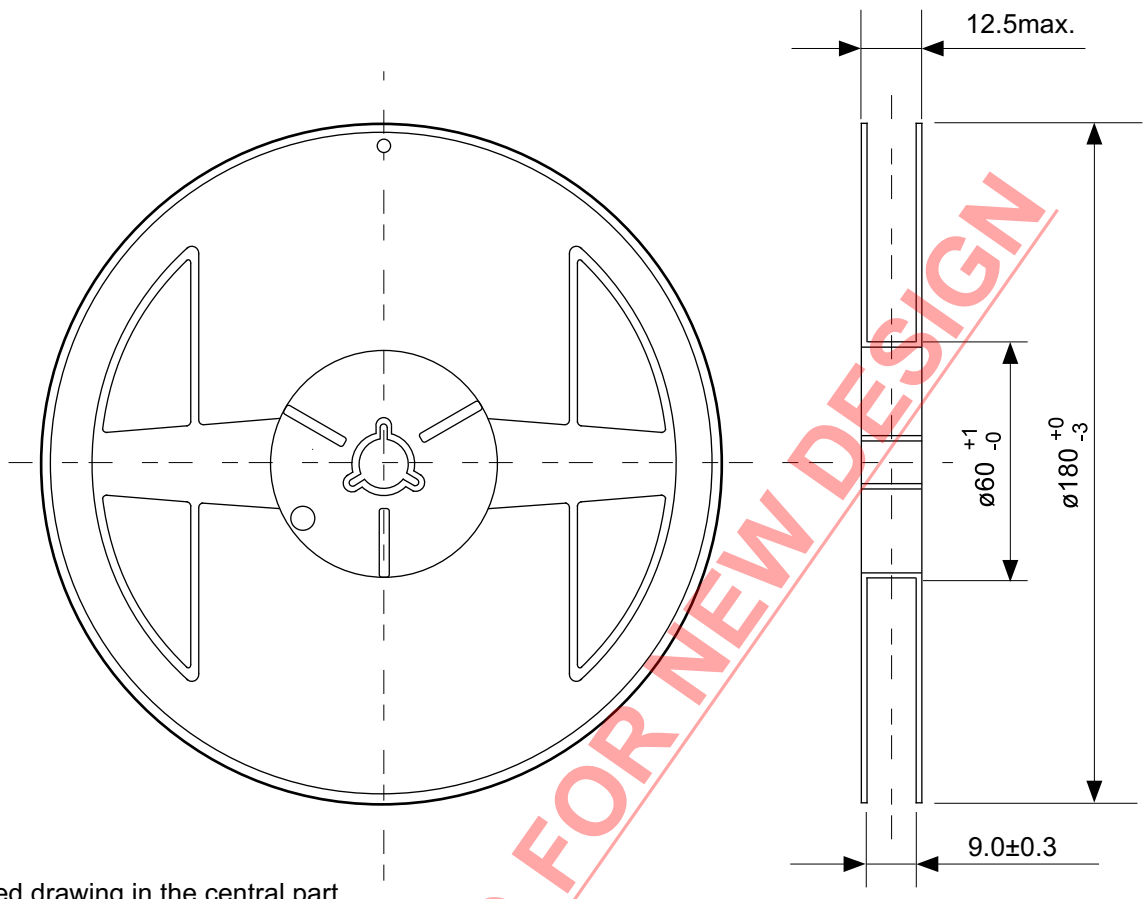
No. NP005-B-P-SD-1.2

TITLE	SC88A-B-PKG Dimensions
No.	NP005-B-P-SD-1.2
ANGLE	
UNIT	mm
ABLIC Inc.	

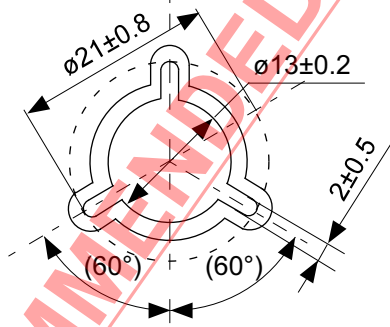


No. NP005-B-C-SD-2.0

TITLE	SC88A-B-Carrier Tape
No.	NP005-B-C-SD-2.0
ANGLE	
UNIT	mm
ABLIC Inc.	



Enlarged drawing in the central part



No. NP005-B-R-SD-2.1

NOT RECOMMENDED FOR NEW DESIGN

TITLE	SC88A-B-Reel		
No.	NP005-B-R-SD-2.1		
ANGLE		QTY.	3,000
UNIT	mm		
ABLIC Inc.			

Disclaimers (Handling Precautions)

1. All the information described herein (product data, specifications, figures, tables, programs, algorithms and application circuit examples, etc.) is current as of publishing date of this document and is subject to change without notice.
2. The circuit examples and the usages described herein are for reference only, and do not guarantee the success of any specific mass-production design.
ABLIC Inc. is not responsible for damages caused by the reasons other than the products described herein (hereinafter "the products") or infringement of third-party intellectual property right and any other right due to the use of the information described herein.
3. ABLIC Inc. is not responsible for damages caused by the incorrect information described herein.
4. Be careful to use the products within their specified ranges. Pay special attention to the absolute maximum ratings, operation voltage range and electrical characteristics, etc.
ABLIC Inc. is not responsible for damages caused by failures and / or accidents, etc. that occur due to the use of the products outside their specified ranges.
5. When using the products, confirm their applications, and the laws and regulations of the region or country where they are used and verify suitability, safety and other factors for the intended use.
6. When exporting the products, comply with the Foreign Exchange and Foreign Trade Act and all other export-related laws, and follow the required procedures.
7. The products must not be used or provided (exported) for the purposes of the development of weapons of mass destruction or military use. ABLIC Inc. is not responsible for any provision (export) to those whose purpose is to develop, manufacture, use or store nuclear, biological or chemical weapons, missiles, or other military use.
8. The products are not designed to be used as part of any device or equipment that may affect the human body, human life, or assets (such as medical equipment, disaster prevention systems, security systems, combustion control systems, infrastructure control systems, vehicle equipment, traffic systems, in-vehicle equipment, aviation equipment, aerospace equipment, and nuclear-related equipment), excluding when specified for in-vehicle use or other uses. Do not apply the products to the above listed devices and equipments without prior written permission by ABLIC Inc. Especially, the products cannot be used for life support devices, devices implanted in the human body and devices that directly affect human life, etc.
Prior consultation with our sales office is required when considering the above uses.
ABLIC Inc. is not responsible for damages caused by unauthorized or unspecified use of our products.
9. Semiconductor products may fail or malfunction with some probability.
The user of the products should therefore take responsibility to give thorough consideration to safety design including redundancy, fire spread prevention measures, and malfunction prevention to prevent accidents causing injury or death, fires and social damage, etc. that may ensue from the products' failure or malfunction.
The entire system must be sufficiently evaluated and applied on customer's own responsibility.
10. The products are not designed to be radiation-proof. The necessary radiation measures should be taken in the product design by the customer depending on the intended use.
11. The products do not affect human health under normal use. However, they contain chemical substances and heavy metals and should therefore not be put in the mouth. The fracture surfaces of wafers and chips may be sharp. Be careful when handling these with the bare hands to prevent injuries, etc.
12. When disposing of the products, comply with the laws and ordinances of the country or region where they are used.
13. The information described herein contains copyright information and know-how of ABLIC Inc.
The information described herein does not convey any license under any intellectual property rights or any other rights belonging to ABLIC Inc. or a third party. Reproduction or copying of the information from this document or any part of this document described herein for the purpose of disclosing it to a third-party without the express permission of ABLIC Inc. is strictly prohibited.
14. For more details on the information described herein, contact our sales office.

2.0-2018.01