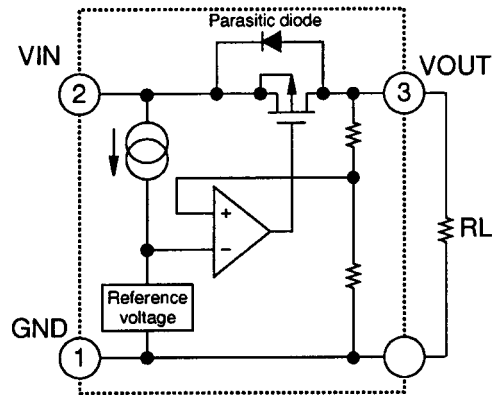
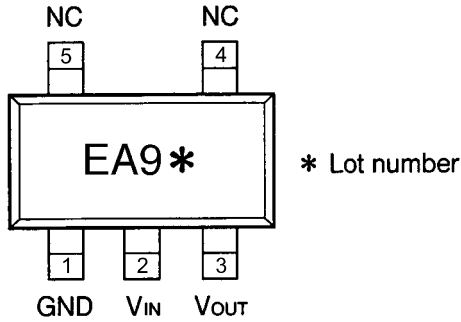


### 13) S-80845ALMP-EA9-T2 (XA0620)

Voltage Detector

Vin=18V  
Iout=100mA



### 14) TK10931V (XA0666)

Pin Assignment / BLOCK Diagram (Top View)

