

High Ripple Rejection Low Dropout CMOS Voltage Regulator S-L2980 Series

2001
IC Marketing Group
Seiko Instruments Inc.

High Ripple Rejection Low Dropout CMOS Voltage Regulator S-L2980 Series

Tentative specifications

Features

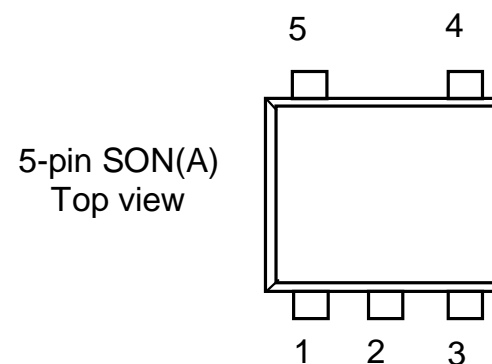
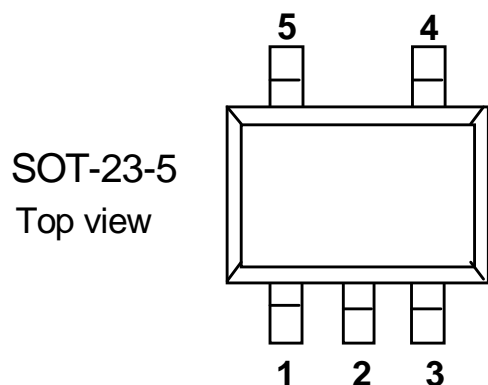
- Ripple Rejection Rate: 70 dB Typ. ($f=1$ kHz, $V_{OUT} = 3.0V$)
- Low current consumption Operation: 90 μA Typ., 150 μA Max.
Power off: 0.1 μA Typ., 1 μA Max.
- Input voltage range: 2.0 to 10.0V (Absolute maximum rating: 12V)
- Output voltage: 1.5 to 6.0 V, 0.1 V step
- Output current: 150 mA capable @3.0 V
- Low dropout voltage 220 mV Typ. ($V_{OUT} = 3.0$ V, $I_{OUT} = 100$ mA)
- Built-in power-off circuit
- Built-in short-circuit current limitation
- Low ESR capacitors are available.
A ceramic capacitor of 2.2 μF or more can be used.
- Compact packages: SOT-23-5, 5-pin SON(A)

Target Applications

- Cellular phone, PHS, Communication devices

High Ripple Rejection Low Dropout CMOS Voltage Regulator S-L2980 Series

Pin Configuration



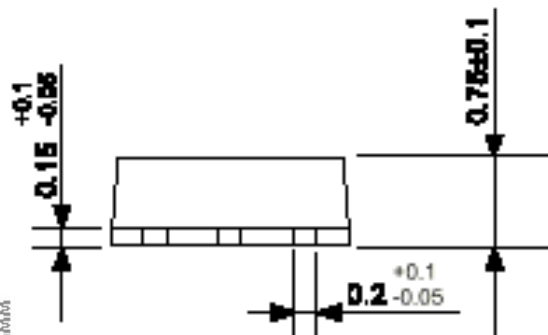
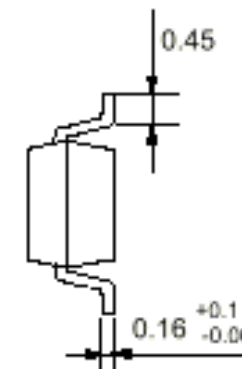
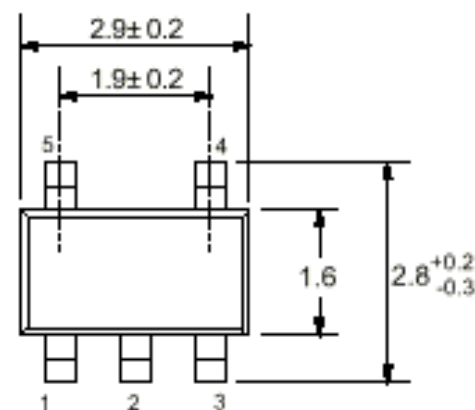
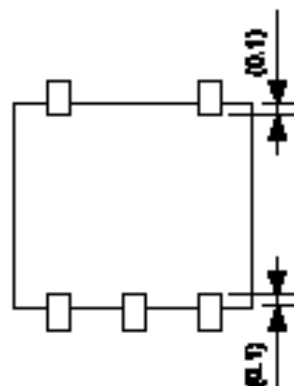
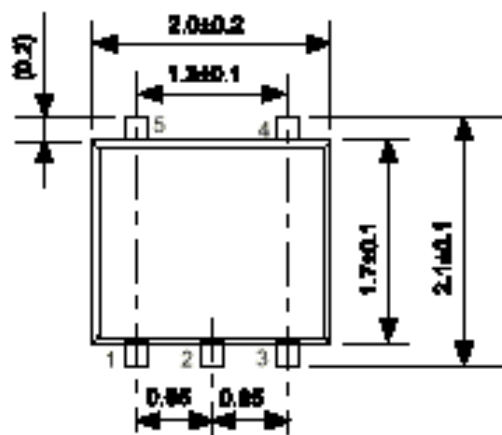
Pin No.	Symbol	Description
1	VIN	Voltage input pin
2	VSS	GND pin
3	ON/OFF	Power off pin
4	NC*	Non-connected
5	VOUT	Voltage output pin

Pin No.	Symbol	Description
1	NC *	Non-connected
2	VSS	GND pin
3	ON/OFF	Power off pin
4	VIN	Voltage input pin
5	VOUT	Voltage output

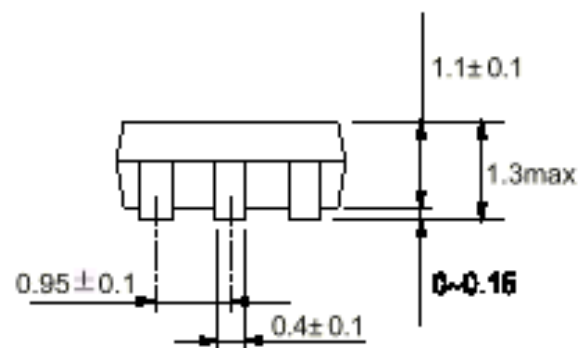
High Ripple Rejection Low Dropout CMOS Voltage Regulator S-L2980 Series

5-pin SON(A)

SOT-23-5



No. : PN005-A-P-SD-1.0



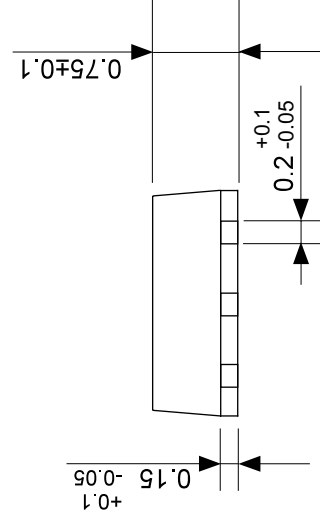
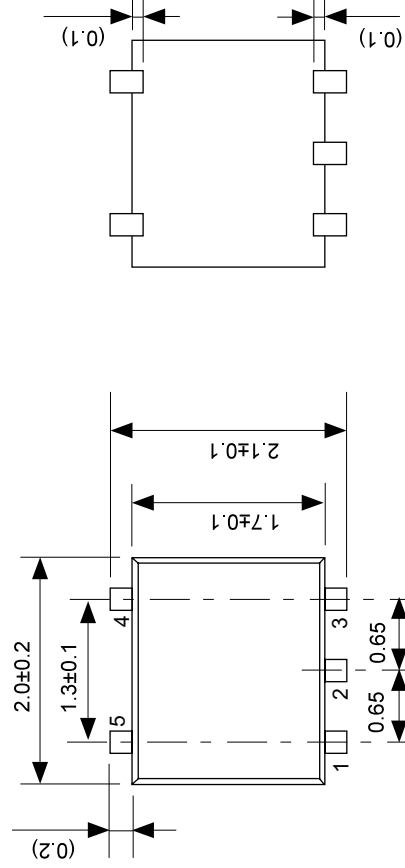
No. : MP005-A-P-SD-1.1

5-pin SON(A) [SON5A(2017)]

PN005-A 010323

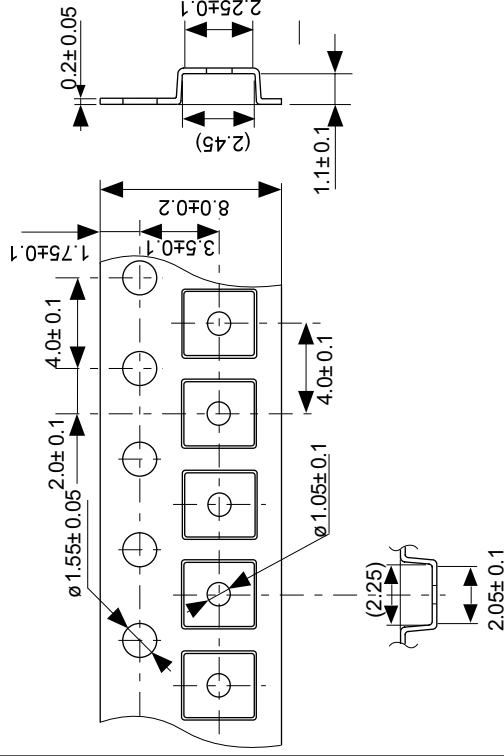
Unit:mm

● Dimensions



No.:PN005-A-P-SD-1.0

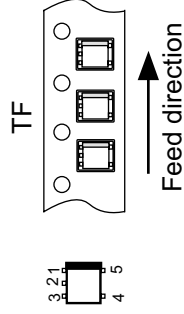
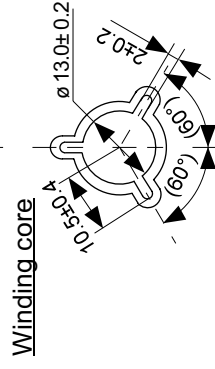
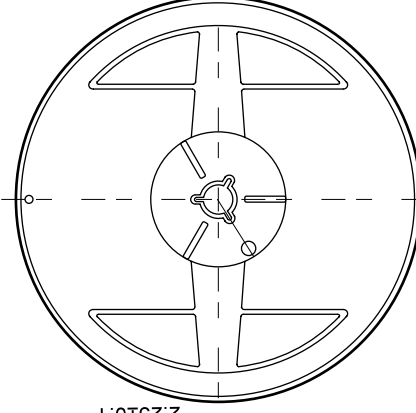
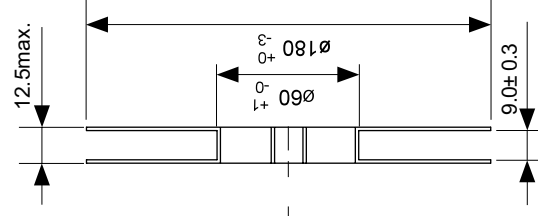
● Taping Specifications



DataSheet4U.com

● Reel Specifications

1 reel holds 3000 ICs.



No.:PN005-A-C-SD-1.0

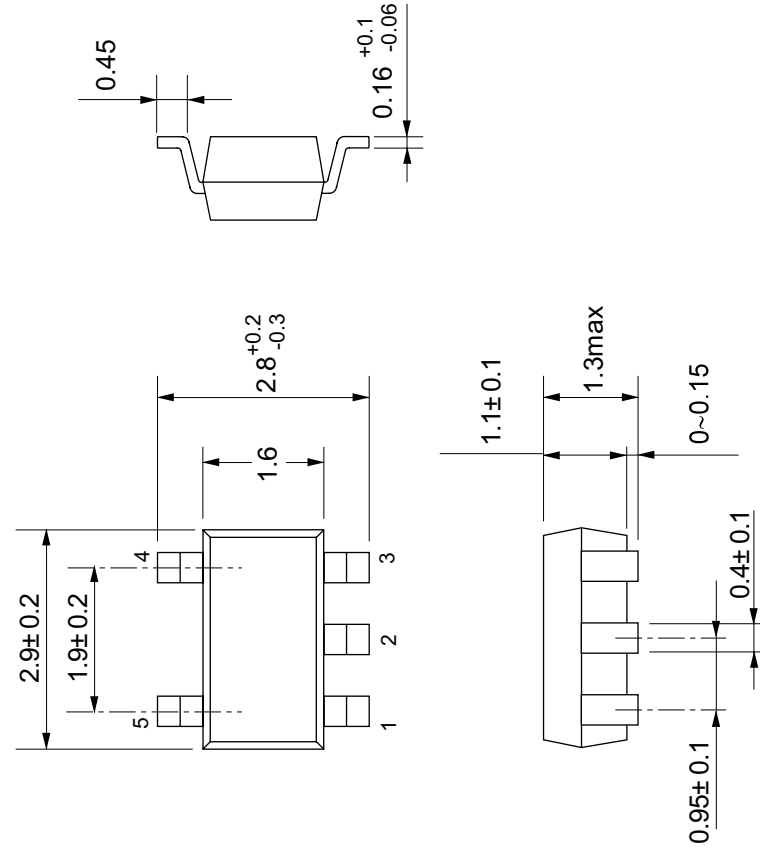
No : PN005-A-R-SD-1.0

■ SOT-23-5

MP005-A 991105

● Dimensions

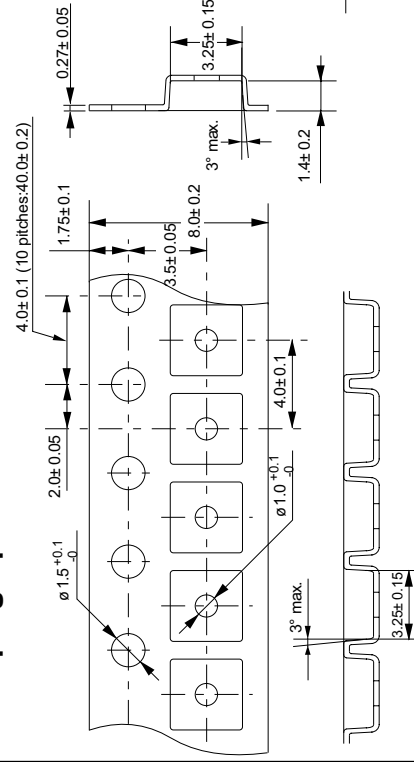
Unit: mm



www.DataSheet4U.com

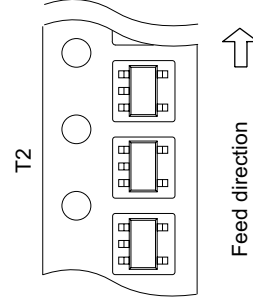
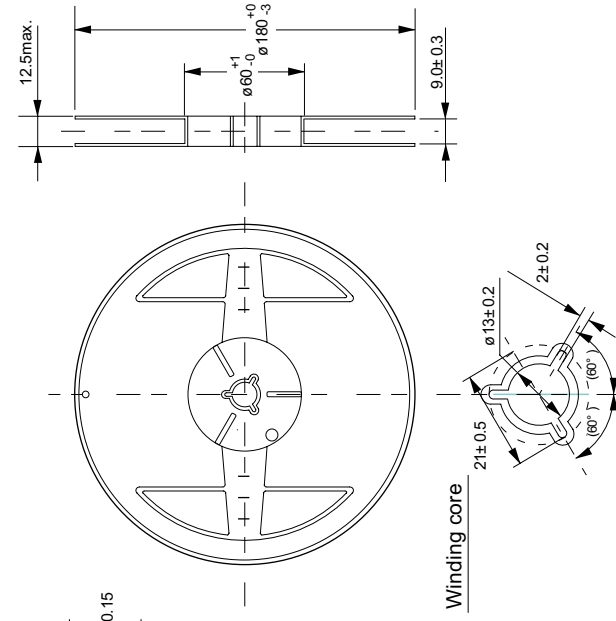
DataSheet4U.com No.:MP005-A-P-SD-1.0

● Taping Specifications



● Reel Specifications

3000 pcs./reel



DataSheet4U.com

No.:MP005-A-C-SD-1.0

No.:MP005-A-R-SD-1.0

www.DataSheet4U.com