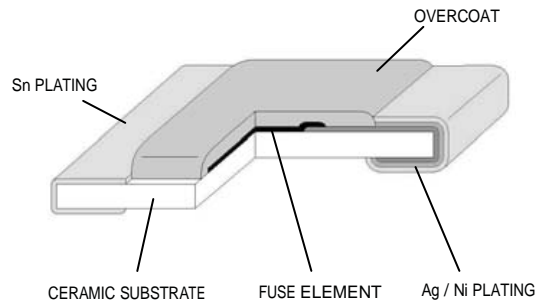


Description

- Fast acting for excessive current
- Compatible with reflow and wave solder
- Rugged ceramic and glass construction
- Excellent environmental performance
- RoHS Compliant, Lead Free & Halogen Free material

Applications

- Telecommunication: PDA / DSL/ Cell Phones
- Computers: LCD Panels / Printers/ Laptops/ Servers
- Consumer Electronics: DVD players/ MP3 and MP4 Players



Case: 0603

Environmental Data

- Life Test: MIL-STD-202, Method 108A
- Humidity Bias: MIL-STD-202, Method 103
- Moisture Resistance Test: MIL-STD-202, Method 106G
- Thermal Shock: MIL-STD-202, Method 107G
- Terminal Strength: AEC-Q200-006
- Board Flex: AEC-Q200-005 Appendix 2 Note: 1mm (Min)
- Vibration: MIL-STD-202, Method 204D
- Mechanical Shock: MIL-STD-202, Method 213B
- Solderability: MIL-STD-202 Method 208H
- Resistance to Solder Heat: MIL-STD-202, Method 210A

Electrical Characteristics

Ampere Rating	% of Amp Rating	Opening Time
250mA-6A	100%	4 Hours Minimum
250mA-6A	250%	5 Seconds Maximum



Electrical Specifications

Product Code	Current Rating	Voltage Rating		Interrupting Rating*	Resistance (ohms)** Typ.	Typical Melt I ² t *** DC (A ² s)	Alpha Code Marking
		AC	DC				
S0603F250	250mA	32V	32V	50A	5.1	0.0004	D
S0603F375	375mA	32V	32V	50A	2.4	0.0009	E
S0603F500	500mA	32V	32V	50A	1.1	0.0018	F
S0603F750	750mA	32V	32V	50A	0.7	0.0070	G
S0603F1	1A	32V	32V	50A	0.23	0.015	H
S0603F1.25	1.25A	32V	32V	35A	0.165	0.022	J
S0603F1.5	1.5A	32V	32V	35A	0.125	0.032	K
S0603F1.75	1.75A	32V	32V	35A	0.08	0.048	M
S0603F2	2A	32V	32V	35A	0.063	0.052	N
S0603F2.5	2.5A	32V	32V	35A	0.04	0.061	O
S0603F3	3A	32V	32V	35A	0.028	0.070	P
S0603F3.5	3.5A	32V	32V	35A	0.022	0.122	R
S0603F4	4A	32V	32V	35A	0.018	0.220	S
S0603F5	5A	32V	32V	35A	0.011	0.680	T
S0603F6	6A	32V	32V	35A	0.008	0.920	Y

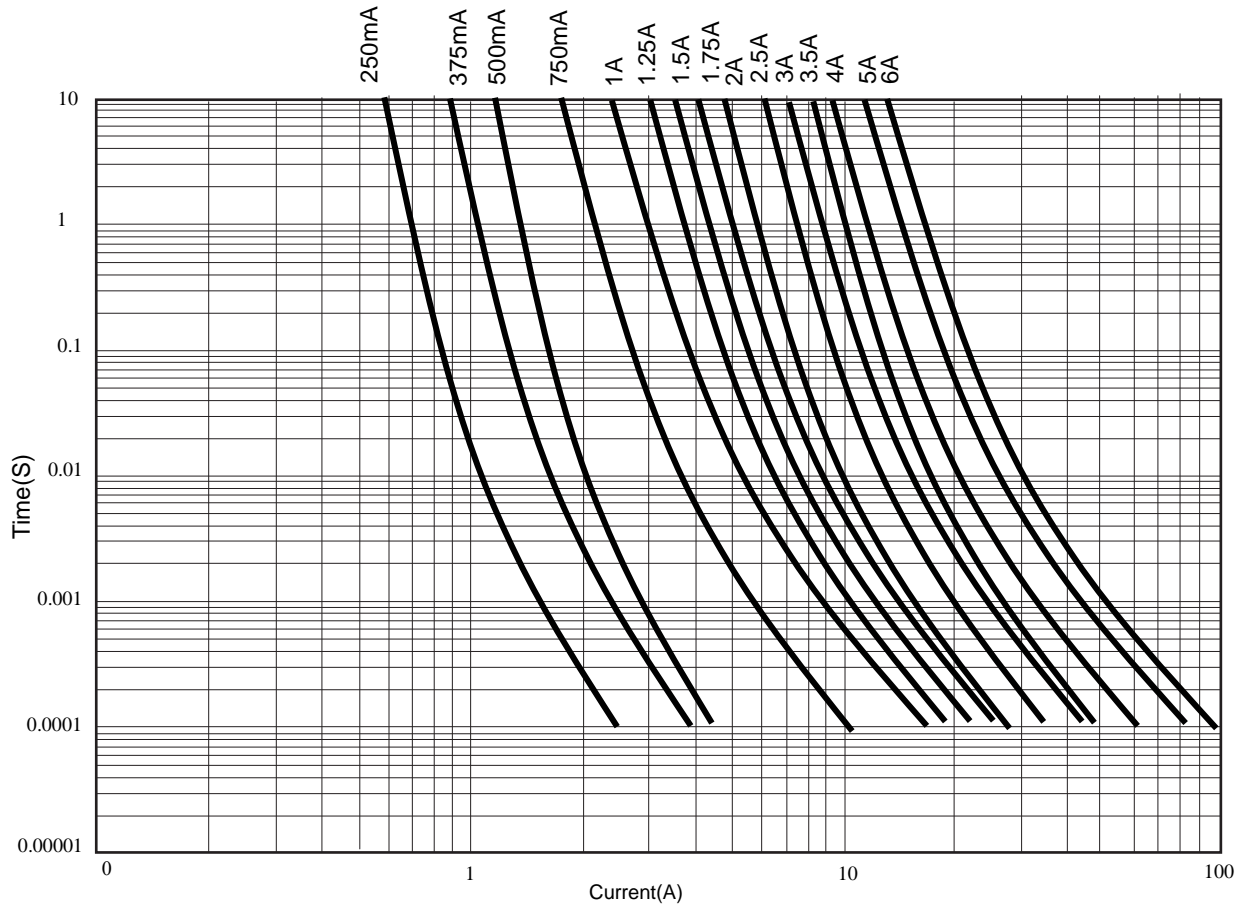
*AC Interrupting Rating (Measured at rated voltage with a unity power factor); DC interrupting rating (Measured at rated voltage, time constant of less than 50 microseconds, battery source)

**DC Cold Resistance (Measured at $\leq 10\%$ of rated current)

*** Typical Melting I²t (Measured with a battery bank at rated DC voltage, 10x-rated current, not to exceed IR, time constant of calibrated circuit less than 50 microseconds) (S0603F4A, 5A and 6A measured at interrupting rating)

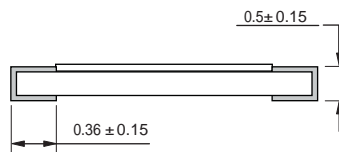
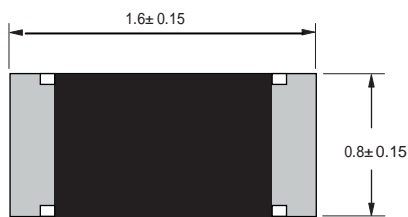
Device designed to carry rated current for four hours minimum. An operating current of 75% or less of rated current is recommended with further derating required at elevated ambient temperatures.

Typical Performance Curves

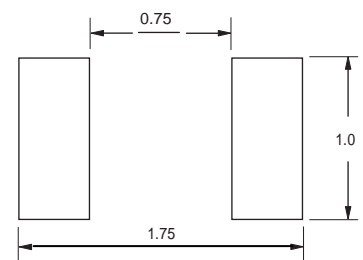


Product Dimensions

DIMENSIONS:mm

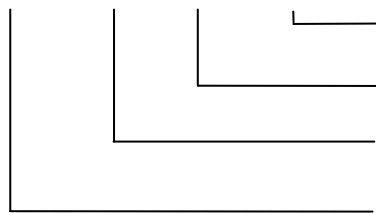


Recommended Pad Layout



Part Number System

S0603 F 250 - TR



Packing Code

Ampere Rating

F(Fast Acting)

Series(0603 size)

Specify Packaging and product code (i.e. S0603F250-TR)

Note: TR: 5,000 pieces of fuses on 8mm tape and reel on a 7 inch (178mm) reel per EIA Standard 481