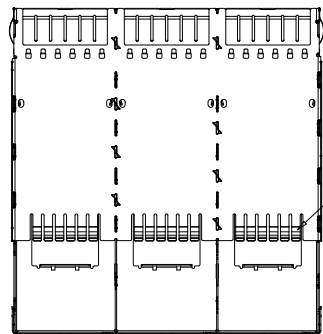
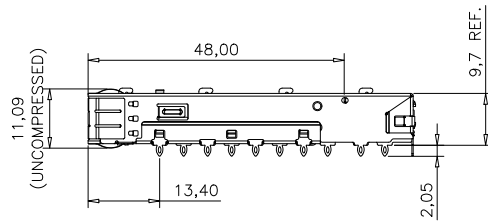
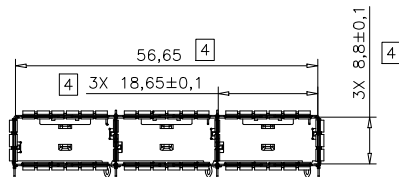
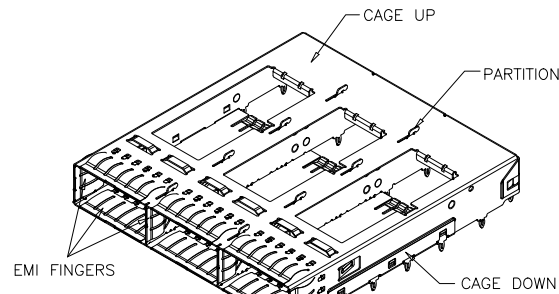
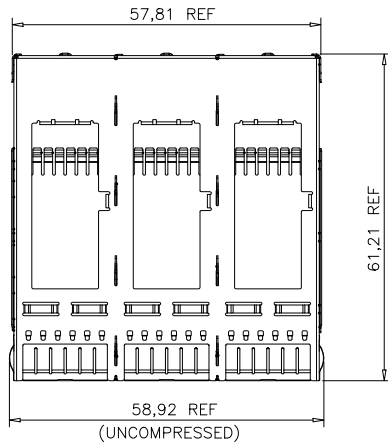
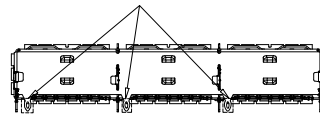


REV.	ECN. NO.	NAME	DATE



UNDER BELLY EMI FINGERS

REAR LEGS ARE OPTIONAL:
1 LEG OR NO LEG



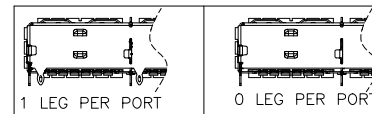
- MATERIALS:
CAGE UP: STAINLESS STEEL, 0.25 THICKNESS
CAGE DOWN: STAINLESS STEEL, 0.25 THICKNESS
PARTITION: STAINLESS STEEL
EMI FINGERS: STAINLESS STEEL
HEATSINK: ALUMINUM
HEATSINK CLIP: STAINLESS STEEL
LIGHT PIPE MATERIAL: CLEAR POLYCARBONATE
CAP: HIGH TEMPERATURE THERMOPLASTIC 94V-0, BLACK

- SURFACE FINISH:
BODY CAGE: CLEANING
EMI SPRING FINISH: CLEANING AND HOLE SEALING
HEATSINK FINISH: BLACK ANODIZED
HEATSINK CLIP FINISH: CLEANING
- MATE WITH QSFP MSA COMPATIBLE TRANSCEIVER.
- INSIDE SURFACE OF CASKET WHEN FULLY COMPRESSED.
- REFERENCE DOCUMENTS:
PRODUCT SPECIFICATION: SFF-8663
- THIS PRODUCT COMPLY TO ROHS DIRECTIVE 2011/65/EU.

S138 X X X 1 X
1 2 3 4

- REAR LEGS:
0=W/O REAR LEG
1=W/ 1 REAR LEG
- LIGHT PIPE & CAP OPTION:
0=W/O Light Pipe, W/O CAP
1=W/ Light Pipe, W/O CAP
2=W/ Light Pipe, W/ CAP
- LIGHT PIPE DIM "A" & PLATING OPTION:
0=W/O Light Pipe
1=DIM A=10.7mm, W/O Silver Color plating
2=DIM "A"=9.7mm, W/O Silver Color plating
3=DIM A=10.7mm, W/Silver Color plating
4=DIM "A"=9.7mm, W/Silver Color plating
- PROCESS OPTION:
0=W/O Heatsink, Open Top
1=W/PCI(Heatsink 4.2mm)
2=W/SAN(Heatsink 6.5mm)
3=W/Networking(Heatsink 13.5mm)

REAR LEGS OPTIONALS



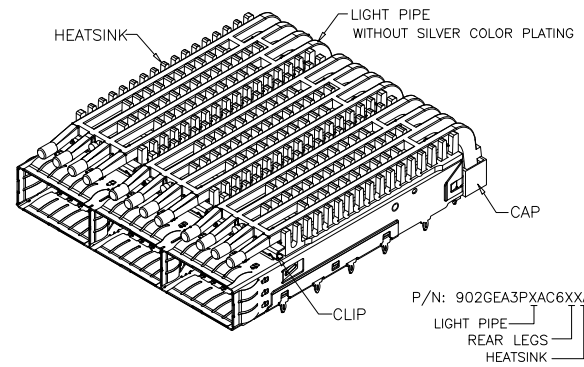
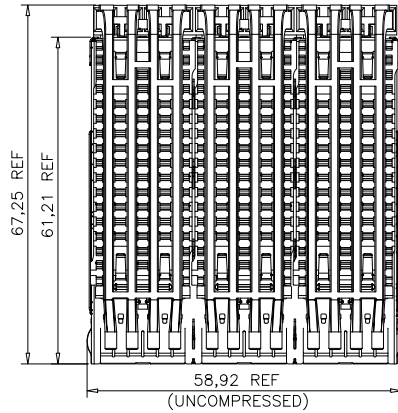
REMARK: APPLIES TO ALL CAGES IN THIS DRAWING

RoHS Compliant

TOLERANCE UNSPECIFIED		VITALCON a vital connector company		FOR YOUR VITAL CONNECTION	
.0	± 0.38	TITLE: QSFP+28G 1X3 CAGE			
.00	± 0.25				
.000	± 0.10				
ANGLE	± 3.00°				
MANUFACTURING COPY					
DRAWN BY:	BECKER	PART NO:	S138 X X X 1 X	REV: A	
CHECKED BY:	VTA	SIZE: A4	UNIT:mm	SHEET:10F7	FCN: A4
APPROVED BY:	QPF	PROJECTION		http://www.vitalconn.com	

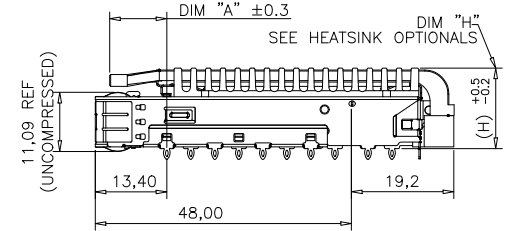
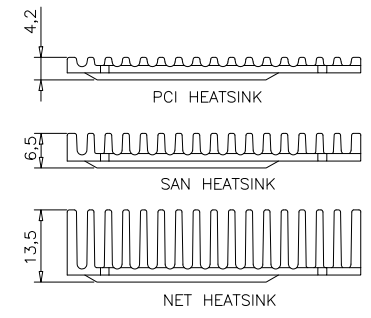
REV.	ECN. NO.	NAME	DATE

WITH HATSINK, WITH QUAD LIGHT PIPE AND CAP
 LIGHT PIPE WITHOUT SILVER COLOR PLATING



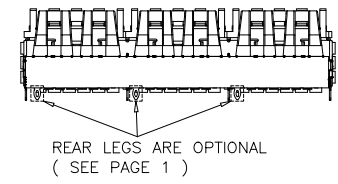
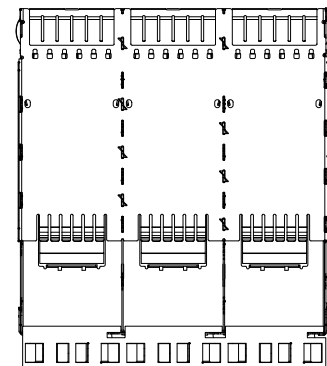
HEATSINK OPTIONALS

OVERALL HEATSINK HEIGHT	DIM "H"	
	BEFORE MODULE INSTALLING	AFTER MODULE INSTALLING
PCI HS (4.2mm)	12.8	13.7
SAN HS (6.5mm)	15.1	16.0
NET HS (13.5mm)	22.1	23.0



PART NUMBER SELECTION

10.7	NET(13.5mm)	1	W/ CAP
9.7	NET(13.5mm)	1	W/ CAP
10.7	SAN(6.5mm)	1	W/ CAP
9.7	SAN(6.5mm)	1	W/ CAP
10.7	PCI(4.2mm)	1	W/ CAP
9.7	PCI(4.2mm)	1	W/ CAP
10.7	NET(13.5mm)	0	W/ CAP
9.7	NET(13.5mm)	0	W/ CAP
10.7	SAN(6.5mm)	0	W/ CAP
9.7	SAN(6.5mm)	0	W/ CAP
10.7	PCI(4.2mm)	0	W/ CAP
9.7	PCI(4.2mm)	0	W/ CAP
DIM A	HEAT SINK	REAR LEGS OPTIONALS	CAP OPTIONALS

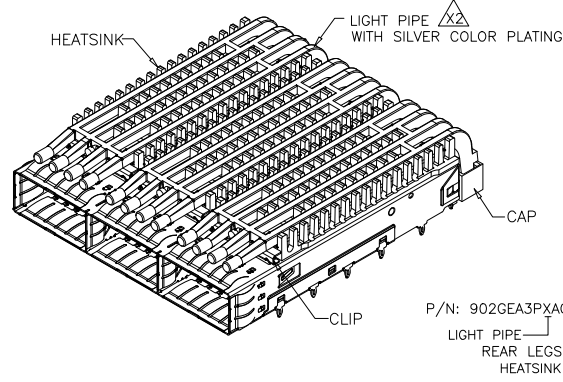
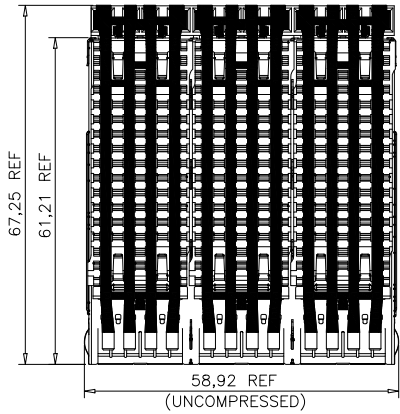


RoHS Compliant

TOLERANCE UNSPECIFIED		 a vital connector company		FOR YOUR VITAL CONNECTION	
.0	± 0.38				
.00	± 0.25	TITLE: QSFP+28G 1X3 CAGE			
.000	± 0.10	DRAWN BY:	BECKER	PART NO:	S138 X X X 1 X
ANGLE	± 3.00°	CHECKED BY:	VTA	SIZE: A4	UNIT:mm
MANUFACTURING COPY		APPROVED BY:	QPF	PROJECTION	 http://www.vitalconn.com
					REV: A
					FCN: A4

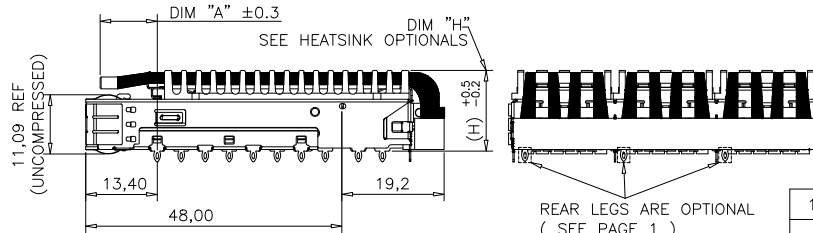
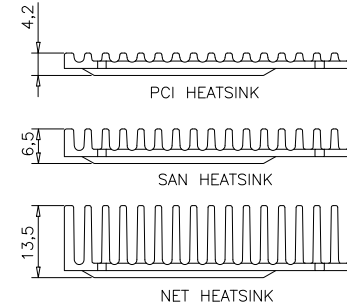
REV.	ECN. NO.	NAME	DATE

WITH HATSINK, WITH QUAD LIGHT PIPE AND CAP
 LIGHT PIPE WITH SILVER COLOR PLATING



HEATSINK OPTIONS

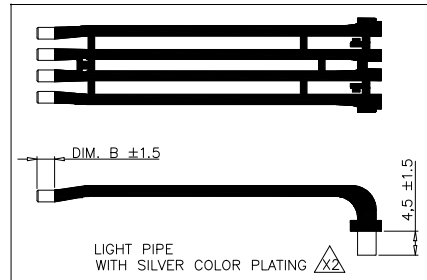
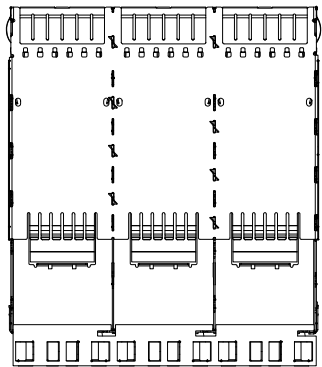
OVERALL HEATSINK HEIGHT	DIM "H"	
	BEFORE MODULE INSTALLING	AFTER MODULE INSTALLING
PCI HS (4.2mm)	12.8	13.7
SAN HS (6.5mm)	15.1	16.0
NET HS (13.5mm)	22.1	23.0



REAR LEGS ARE OPTIONAL
(SEE PAGE 1)

PART NUMBER SELECTION

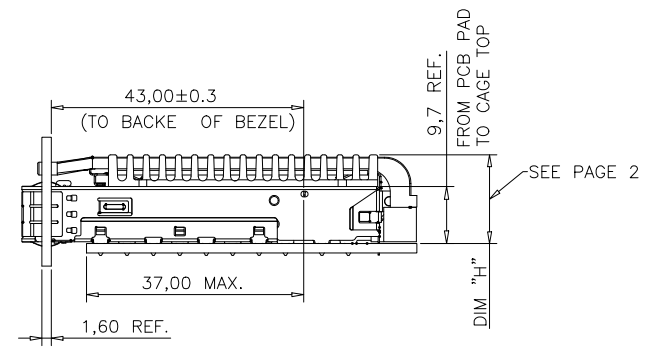
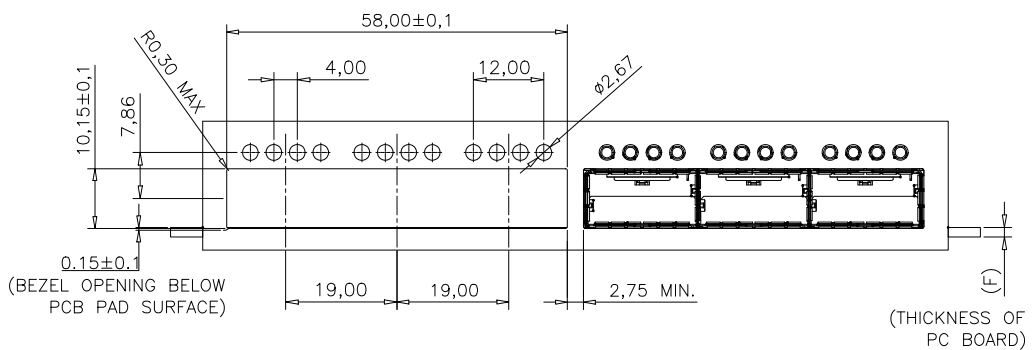
10.7	NET(13.5mm)	1	W/ CAP	
9.7	NET(13.5mm)	1	W/ CAP	
10.7	SAN(6.5mm)	1	W/ CAP	
9.7	SAN(6.5mm)	1	W/ CAP	
10.7	PCI(4.2mm)	1	W/ CAP	
9.7	PCI(4.2mm)	1	W/ CAP	
10.7	NET(13.5mm)	0	W/ CAP	
9.7	NET(13.5mm)	0	W/ CAP	
10.7	SAN(6.5mm)	0	W/ CAP	
9.7	SAN(6.5mm)	0	W/ CAP	
10.7	PCI(4.2mm)	0	W/ CAP	
9.7	PCI(4.2mm)	0	W/ CAP	
DIM A	HEAT SINK	REAR LEGS OPTIONALS	CAP OPTIONALS	



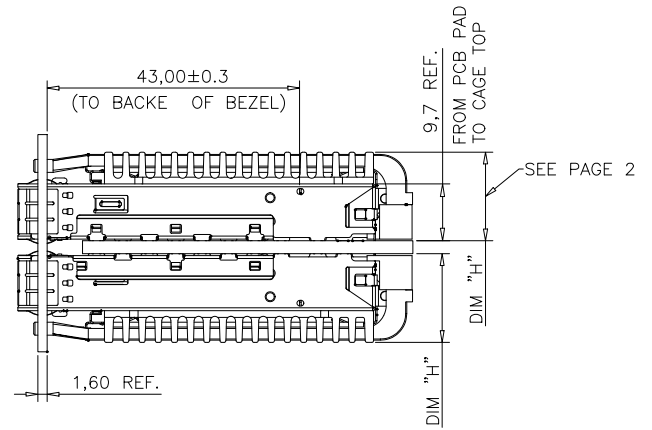
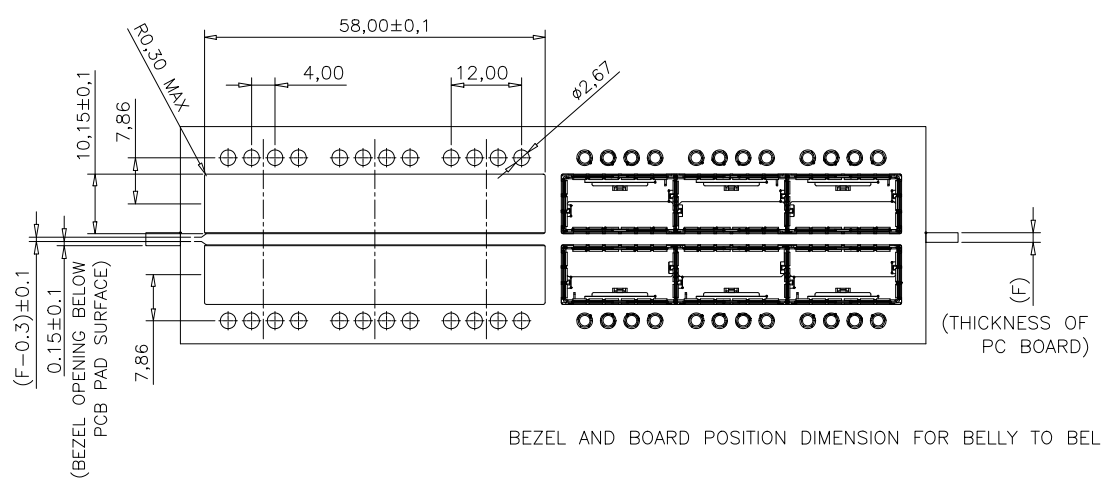
RoHS Compliant

TOLERANCE UNSPECIFIED		 a vital connector company		FOR YOUR VITAL CONNECTION	
.0	± 0.38			TITLE: QSFP+28G 1X3 CAGE	
.00	± 0.25	DRAWN BY: BECKER		PART NO: S138 X X X 1 X	
.000	± 0.10	CHECKED BY: VTA		SIZE: A4	
ANGLE	± 3.00°	APPROVED BY: QPF		UNIT:mm	
MANUFACTURING COPY		PROJECTION		SHEET:30F7	
				REV: A	
				FCN: A4	
				http://www.vitalconn.com	

REV.	ECN. NO.	NAME	DATE



BEZEL AND BOARD POSITION DIMENSION FOR SINGLE SIDE MOUNTING



BEZEL AND BOARD POSITION DIMENSION FOR BELLY TO BELLY MOUNTING

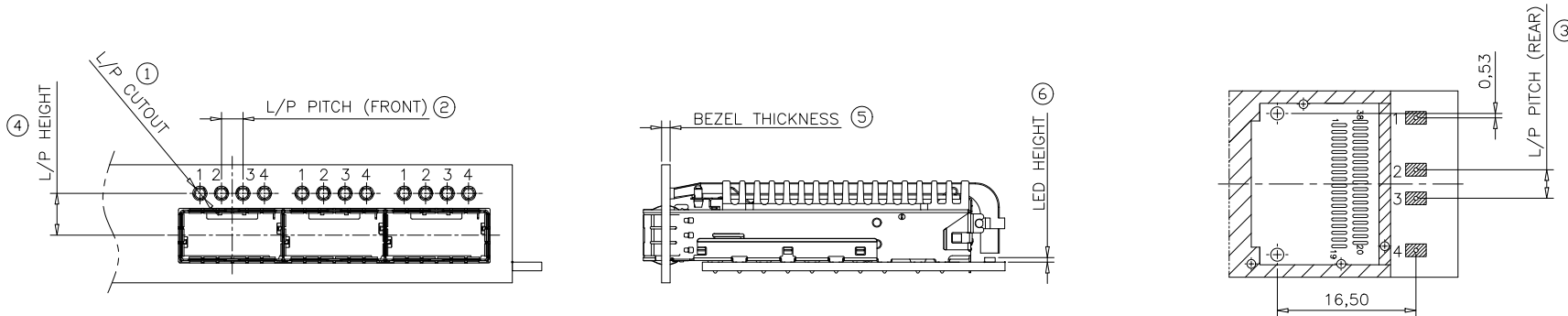
- NOTES:
1. THE NORMAL THICKNESS OF CUSTOMER SUPPLIED PC BOARD.(DIM. "F")
 SINGLE SIDED PC BOARD THICKNESS: 1.60mm MIN.
 BELLY TO BELLY PC BOARD MIN. THICKNESS: 3.0mm MIN.
 2. GENERAL TOLERANCE: ±0.05.

RoHS Compliant

TOLERANCE UNSPECIFIED				FOR YOUR VITAL CONNECTION			
.0	± 0.38			TITLE: QSFP+28G 1X3 CAGE			
.00	± 0.25	DRAWN BY:	BECKER	PART NO:	S138 X X X 1 X	REV: A	
.000	± 0.10	CHECKED BY:	VTA	SIZE: A4	UNIT:mm	SHEET:40F7	FCN: A4
ANGLE	± 3.00°	APPROVED BY:	QPF	PROJECTION		http://www.vitalconn.com	
MANUFACTURING COPY							

REV.	ECN. NO.	NAME	DATE

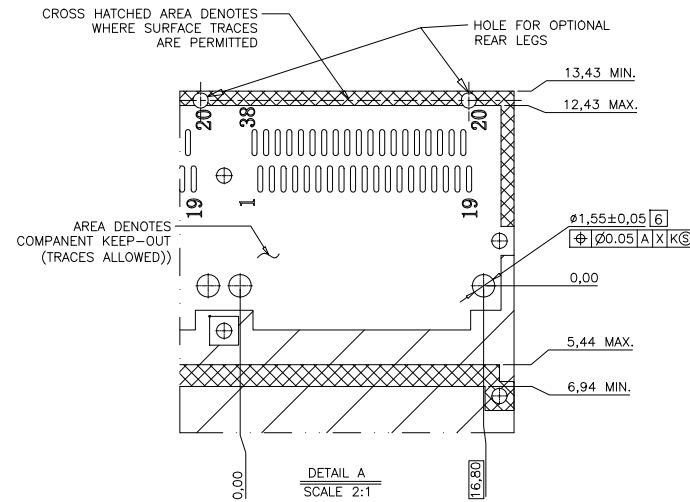
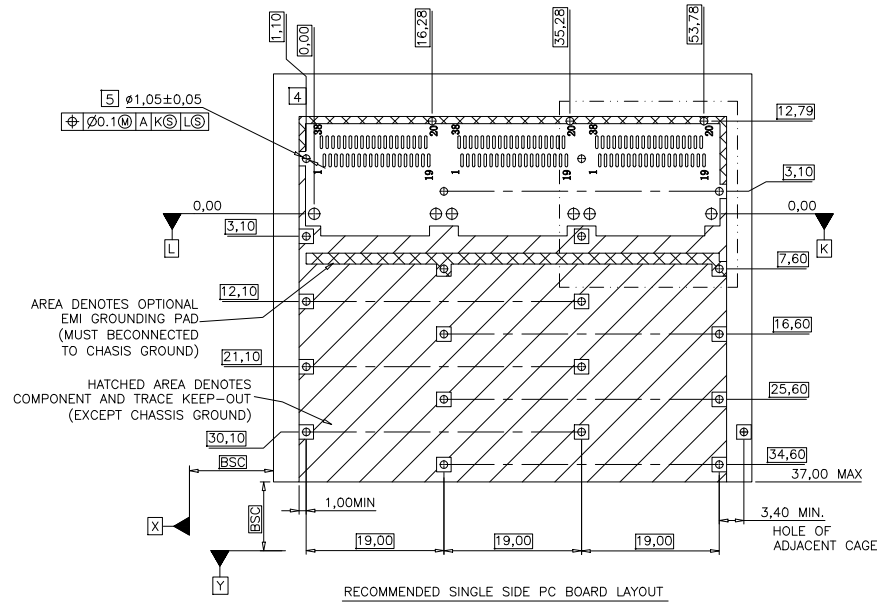
		THE DIMENSION FOR MATING BEZEL (UNIT: mm)						
CODE	L/P APPEARANCE	L/P CUT-OUT	L/P PITCH (FRONT)	L/P PITCH (REAR)	L/P HEIGHT	BEZEL THICKNESS	LED HEIGHT	REMARK
0	NO L/P							WITHOUT LIGHT PIPE
A	ROUND	∅2.67	4.00(Equal)	1,4=15.75 2,3=3.40	7.86	1.60	0.8~1.1	APPLIES TO QUAD L/P
		①	②	③	④	⑤	⑥	



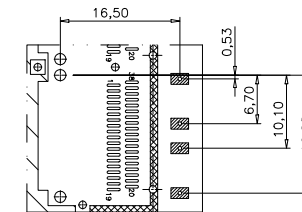
RoHS Compliant

TOLERANCE UNSPECIFIED		VITALCON a vital connector company		FOR YOUR VITAL CONNECTION	
.0	± 0.38			TITLE: QSFP+28G 1X3 CAGE	
.00	± 0.25	DRAWN BY: BECKER		PART NO: S138 X X X 1 X	REV: A
.000	± 0.10	CHECKED BY: VTA		SIZE: A4	UNIT:mm SHEET:50F7 FCN: A4
ANGLE	± 3.00°	APPROVED BY: QPF		PROJECTION	http://www.vitalconn.com
MANUFACTURING COPY					

REV.	ECN. NO.	NAME	DATE



FOR CAGE ASSEMBLIES WITH LIGHT PIPES



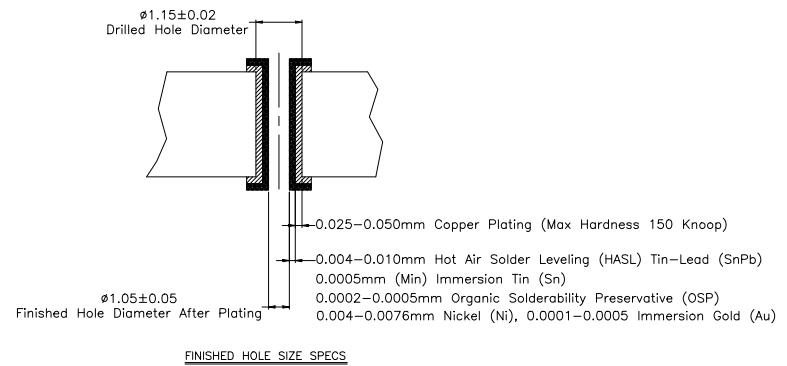
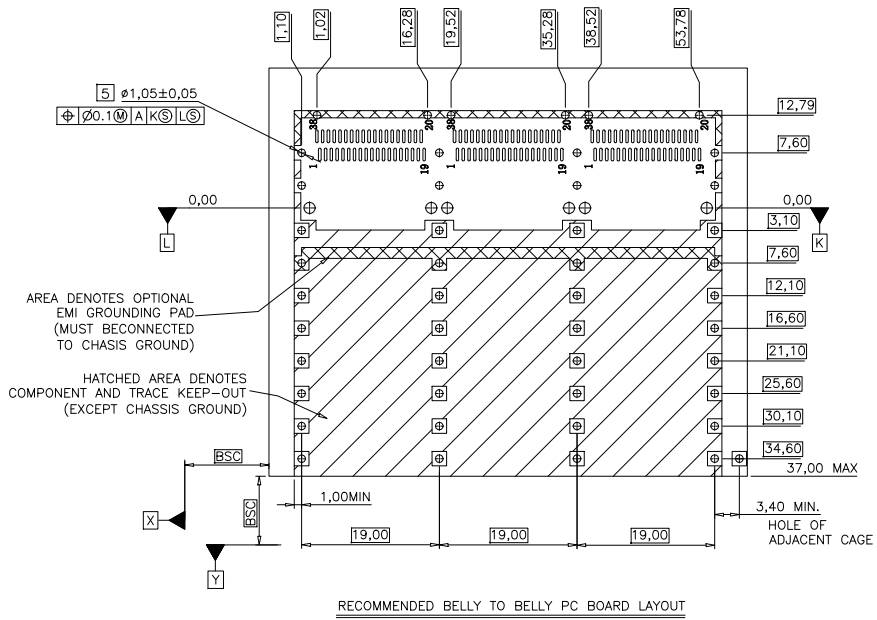
NOTES:

- DATUM X & Y ARE ESTABLISHED BY THE CUSTOMER'S FIDUCIAL
- DATUM A IS THE TOP SURFACE OF THE HOST BOARD
- LOCATION OF THE EDGE OF PCB IS APPLICATION SPECIFIC
- BASELINE FOR THESE DIMENSIONS IS THE CENTER OF COMPLIANT PIN HOLE.
- FINISHED HOLE SIZE
- UNPLATED THRU HOLE.
- REFER TO SFF8662 FOR CONNECTOR FOOTING DIMENSIONS

RoHS Compliant

TOLERANCE UNSPECIFIED		VITALCON a vital connector company		FOR YOUR VITAL CONNECTION	
.0	± 0.38			TITLE: QSFP+28G 1X3 CAGE	
.00	± 0.25	DRAWN BY:	BECKER	PART NO:	S138 X X X 1 X
.000	± 0.10	CHECKED BY:	VTA	SIZE: A4	UNIT:mm
ANGLE	± 3.00°	APPROVED BY:	QPF	PROJECTION	
MANUFACTURING COPY				SHEET:6OF7	REV: A
				FCN: A4	http://www.vitalconn.com

REV.	ECN. NO.	NAME	DATE



RoHS Compliant

TOLERANCE UNSPECIFIED		 VITALCON a vital connector company		FOR YOUR VITAL CONNECTION	
.0	± 0.38			TITLE: QSFP+28G 1X3 CAGE	
.00	± 0.25	DRAWN BY:	BECKER	PART NO:	S138 X X X 1 X
.000	± 0.10	CHECKED BY:	VTA	SIZE: A4	UNIT:mm
ANGLE	± 3.00°	APPROVED BY:	QPF	PROJECTION	
MANUFACTURING COPY		SHEET:70F7		REV: A	
		http://www.vitalconn.com		FCN: A4	