

JULY. 2000

# DATA SHEET

S1D2504A01



## I<sup>2</sup>C BUS CONTROLLED R/G/B VIDEO AMPLIFIER

The S1D2504A01 is very high frequency video amplifier system with I<sup>2</sup>C BUS control used in Monitors. It contains 3 matched R/G/B video Amplifiers and provides flexible interfacing to the I<sup>2</sup>C BUS controlled adjustment systems.

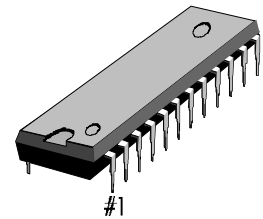
### FUNCTIONS

- R/G/B Video Amplifier
- I<sup>2</sup>C BUS Control
- Contrast Control
- Brightness Control
- Cut-Off Brightness Control
- R/G/B SUB Contrast/Cut Off Control
- Blank/Clamp Gate
- Auto beam current limitation (ABL) is possible with external pin.
- The S1D2504A01 includes white balance adjustment that is effective on brightness (by Cut-Off control for each channel).

### FEATURES

- 3-Channel matched R/G/B Video Amplifiers
- I<sup>2</sup>C BUS control items
  - Contrast control for the 3 channels
  - Brightness control for the 3 channels
  - SUB Contrast control for each channel
  - Cut-Off control for each channel
  - Cut-Off Brightness control for the 3 channels
  - Switch Registers for SBLK and Cut-Off Offset Current
- Built-in ABL (Automatic Beam Limitation)
- Built-in Video output Brightness clamp
- 3-Channel R/G/B Video Amplifier 85 MHz @f-3 dB
- Contrast Control Range: -38 dB
- SUB Contrast Control Range: -11 dB
- Capable of 7 Vpp Output Swing

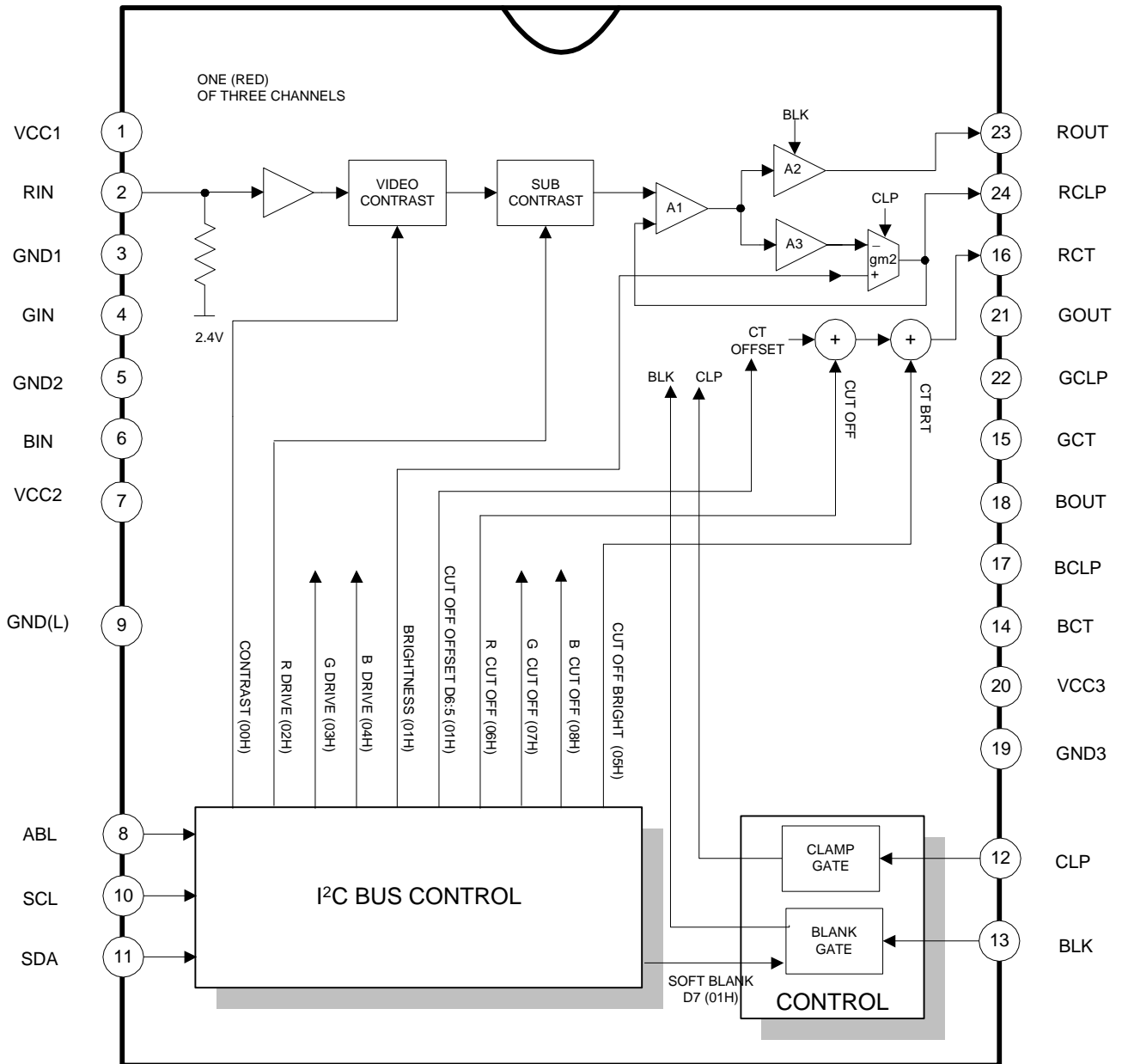
24-DIP-300



### ORDERING INFORMATION

Device	Package	Operating Temperature
S1D2504A01-D0B0	24-DIP-300	-20 °C — 75°C

BLOCK DIAGRAM



## PIN CONFIGURATION

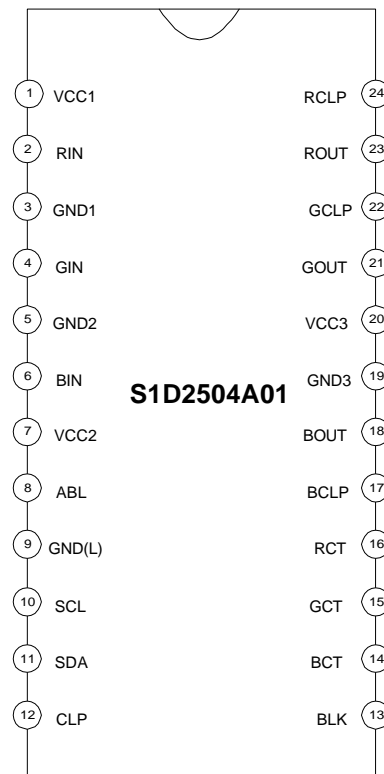


Table 1. Pin Configuration

NO	Symbol	I/O	Configuration	NO	Symbol	I/O	Configuration
1	V <sub>CC</sub> 1	-	Normal Power Supply	13	BLK	I	Blank Gate Input
2	RIN	I	Red Video Input	14	BCT	I	Blue Cut off ctrl
3	GND1	-	Normal Ground	15	GCT	I	Green Cut off ctrl
4	GIN	I	Green Video Input	16	RCT	I	Red Cut off ctrl
5	GND2	-	Normal Ground	17	BCLP	-	Blue Clamp Cap
6	BIN	I	Blue Video Input	18	BOUT	O	Blue Video Output
7	V <sub>CC</sub> 2	-	Normal Power Supply	19	GND3	-	Drive Power Ground
8	ABL	I	Automatic Beam Limit	20	V <sub>CC</sub> 3	-	Drive Power Supply
9	GND (L)	-	Logic Ground	21	GOUT	O	Green Video Output
10	SCL	I/O	Serial Clock	22	GCLP	-	Green Clamp Cap
11	SDA	I/O	Serial Data	23	ROUT	O	Red Video Output
12	CLP	I	Clamp Gate Input	24	RCLP	-	Red Clamp Cap

## PIN DESCRIPTION

Table 2. Pin Description

Pin No	Pin Name	Schematic	Description
1	V <sub>CC1</sub>	-	Normal V <sub>CC</sub>
2	Red Video Input (RIN)		Video Input (Maximum 0.7 V <sub>pp</sub> )
4	Green Video Input (GIN)		
8	Blue Video Input (BIN)		
3	GND1	-	Normal Ground
5	GND2	-	Normal Ground
7	V <sub>CC2</sub>	-	Logic V <sub>CC</sub>
8	ABL		Auto Beam Limitation (Control Range: 0.5 ~ 4.5 V)
9	GND (L)	-	Logic Ground

Table 2. Pin Description (Continued)

Pin No	Pin Name	Schematic	Description
10	Serial Clock Input (SCL)		SCL, SDA for I <sup>2</sup> C Bus Control
11	Serial Data Input (SDA)		
12	Clamp Gate Input (CLP)		Clamp Gate Input: TTL Level Active Low Clamp Gate Min. Duty f: 34 kHz duty: 0.3 μs
13	Blank Gate Input (BLK)		Blank Gate Input: TTL Level Active Low
14	Blue Cut-Off (BCT)		Cut-Off Control Output $I_{cut-off} = I_{ct} + I_{ctbrt} + I_{cs1} + I_{cs2}$ $I_{ct} : 0 \sim 540\mu A$ $I_{ctbrt} : 0 \sim 160\mu A$ $I_{cs1} : 80\mu A$ $I_{cs2} : 160\mu A$
15	Green Cut-Off (GCT)		
16	Red Cut-Off (RCT)		

Table 2. Pin Description (Continued)

Pin No	Pin Name	Schematic	Description
17	Blue Clamp Cap (BCLP)		Clamp Cap for Brightness (During Clamp Gate Low)
22	Green Clamp Cap (GCLP)		
24	Red Clamp Cap (RCLP)		
18	Blue Video Output (BOUT)		Video Out
21	Green Video Output (GOUT)		
23	Red Video Output (ROUT)		
19	GND3	-	Normal Ground
20	V <sub>CC3</sub>	-	Drive V <sub>CC</sub>

**ABSOLUTE MAXIMUM RATINGS**

NO	Item	Symbol	Value	Unit
1	Normal, Logic, Driver Power Supply	V <sub>CC</sub> 1, 2, 3	13.2	V
2	Maximum Power Dissipation	PD <sub>max</sub>	1.5	W

**THERMAL CHARACTERISTICS**

NO	Item	Symbol	Value	Unit
1	Storage Temperature	T <sub>stg</sub>	-65 — 150	°C
2	Operating Temperature	T <sub>opr</sub>	-20 — 75	°C
3	Thermal Resistance (Junction ambient)	θ <sub>ja</sub>	60.0	°C/W
4	Junction Temperature	T <sub>j</sub>	150.0	°C

**ESD PARAMETER**

NO	Item	Symbol	Value	Unit
1	Human Body Model (C = 100pF, R = 1.5kΩ)	HBM	2000	V
2	Machine Model (C = 200pF, R = 0)	MM	300	V
3	Charge Device Model	CDM	800	V

**I<sup>2</sup>C BUS ELECTRICAL CHARACTERISTICS**

Symbol	Description	Min	Typ	Max	Unit
V <sub>inH</sub>	High Level Input Voltage	3.0	-	-	V
V <sub>inL</sub>	Low Level Input Voltage	-	-	1.5	V
I <sub>inH</sub>	High Level Input Current	-	-	1.0	μA
I <sub>inL</sub>	Low Level Input Current	-	-	-10	μA
f <sub>SCL</sub>	SCL Clock frequency	-	-	200	kHz



## ELECTRICAL CHARACTERISTICS

### DC Electrical Characteristics

(T<sub>amb</sub> = 25 °C, V<sub>CC</sub> = 12 V, V<sub>DD</sub> = 12 V)

Table 3. DC Electrical Characteristics

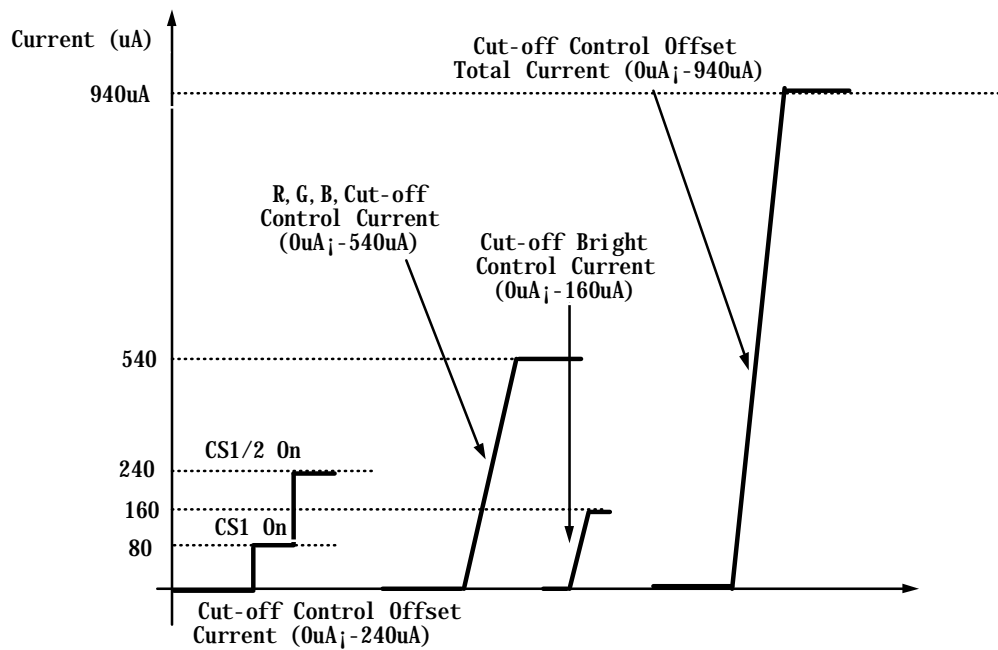
No	Parameter	Symbol	Value			Unit
			Min	Typ	Max	
1	Supply Current	I <sub>CC</sub>	60	80	100	mA
2	Maximum Supply Current	I <sub>CC max</sub>	70	90	110	mA
3	R Input Bias Voltage	VR <sub>b</sub>	2.2	2.4	2.6	V
4	G Input Bias Voltage	VG <sub>b</sub>	2.2	2.4	2.6	V
5	B Input Bias Voltage	VB <sub>b</sub>	2.2	2.4	2.6	V
6	R Clamp Gate Low Input Voltage	V12LR	0.8	1.5	-	V
7	G Clamp Gate Low Input Voltage	V12LG	0.8	1.5	-	V
8	B Clamp Gate Low Input Voltage	V12LB	0.8	1.5	-	V
9	R Clamp Gate High Input Voltage	V12HR	-	1.5	2.0	V
10	G Clamp Gate High Input Voltage	V12HG	-	1.5	2.0	V
11	B Clamp Gate High Input Voltage	V12HB	-	1.5	2.0	V
12	Clamp Gate Low Input Current	I12L	-5.0	-2.0	-	μA
13	Clamp Gate High Input Current	I12H	-	0.01	1.0	μA
14	R Output Clamp Cap Charge Current	IclampR+	0.45	0.75	1.50	mA
15	G Output Clamp Cap Charge Current	IclampG+	0.45	0.75	1.50	mA
16	B Output Clamp Cap Charge Current	IclampB+	0.45	0.75	1.50	mA
17	R Output Clamp Cap Discharge Current	IclampR-	-1.50	-0.75	-0.45	mA
18	G Output Clamp Cap Discharge Current	IclampG-	-1.50	-0.75	-0.45	mA
19	B Output Clamp Cap Discharge Current	IclampB-	-1.50	-0.75	-0.45	mA
20	R Blank Gate Low Input Voltage	V13LR	0.8	1.5	-	V
21	G Blank Gate Low Input Voltage	V13LG	0.8	1.5	-	V
22	B Blank Gate Low Input Voltage	V13LB	0.8	1.5	-	V
23	R Blank Gate High Input Voltage	V13HR	-	1.5	2.0	V
24	G Blank Gate High Input Voltage	V13HG	-	1.5	2.0	V
25	B Blank Gate High Input Voltage	V13HB	-	1.5	2.0	V
26	Blank Gate Low Input Current	I13L	-5.0	-2.0	-	μA
27	Blank Gate High Input Current	I13H	-	0.01	1.0	μA

Table 3. DC Electrical Characteristics (Continued)

No	Parameter	Symbol	Value			Unit
			Min	Typ	Max	
28	R BRT LOW Output Voltage (POR)	VOporR	0.8	1.0	1.2	V
29	G BRT Low Output Voltage (POR)	VOporG	0.8	1.0	1.2	V
30	B BRT Low Output Voltage (POR)	VOporB	0.8	1.0	1.2	V
31	R-G Black Level Output Voltage	$\Delta$ R-GBL	-	0.0	$\Delta$ 0.2	V
32	G-B Black Level Output Voltage	$\Delta$ G-BBL	-	0.0	$\Delta$ 0.2	V
33	B-R Black Level Output Voltage	$\Delta$ B-RBL	-	0.0	$\Delta$ 0.2	V
34	R Output High Voltage	VOHR	6.2	7.5	9.0	V
35	G Output High Voltage	VOHG	6.2	7.5	9.0	V
36	B Output High Voltage	VOHB	6.2	7.5	9.0	V
37	R Blank Output Voltage	VOBR	-	0.1	0.2	V
38	G Blank Output Voltage	VOBG	-	0.1	0.2	V
39	B Blank Output Voltage	VOBB	-	0.1	0.2	V
40	SCL High Input Current	I10H	-	0.01	1.0	$\mu$ A
41	SDA High Input Current	I11H	-	0.01	1.0	$\mu$ A
42	SCL/SDA Low Level Input Voltage	VbusL	-	-	1.5	V
43	SCL/SDA High Level Input Voltage	VbusH	3	-	-	V
44	R Input Resistance	Rin	-	10	-	k $\Omega$
45	G Input Resistance	Gin	-	10	-	k $\Omega$
46	B Input Resistance	Bin	-	10	-	k $\Omega$
47	R Spot Killer Voltage	VspotR	9.2	10.4	11.2	V
48	G Spot Killer Voltage	VspotG	9.2	10.4	11.2	V
49	B Spot Killer Voltage	VspotB	9.2	10.4	11.2	V
50	R Center Ext. Cut -Off Output Current	IctX_80R	220	270	320	$\mu$ A
51	G Center Ext. Cut -Off Output Current	Ictx_80G	220	270	320	$\mu$ A
52	B Center Ext. Cut -Off Output Current	Ictx_80B	220	270	320	$\mu$ A
53	R Cut -Off Output Current Range	$\Delta$ IctxR	440	540	640	$\mu$ A
54	G Cut -Off Output Current Range	$\Delta$ IctxG	440	540	640	$\mu$ A
55	B Cut -Off Output Current Range	$\Delta$ IctxB	440	540	640	$\mu$ A
56	R Cut -Off BRT Output Current Range	$\Delta$ IctbrtR	150	170	210	$\mu$ A
57	G Cut -Off BRT Output Current Range	$\Delta$ IctbrtG	150	170	210	$\mu$ A
58	B Cut-Off BRT Output Current Range	$\Delta$ IctbrtB	150	170	210	$\mu$ A
59	R Ext. Cut-Off Offset Output Current1	Ics1R	70	85	100	$\mu$ A

Table 3. DC Electrical Characteristics (Continued)

No	Parameter	Symbol	Value			Unit
			Min	Typ	Max	
60	G Ext. Cut-Off Offset Output Current1	Ics1G	70	85	100	μA
61	B Ext. Cut-Off Offset Output Current1	Ics1B	70	85	100	μA
62	R Ext. Cut-Off Offset Output Current2	Ics2R	140	160	180	μA
63	G Ext. Cut-Off Offset Output Current2	Ics2G	140	160	180	μA
64	B Ext. Cut-Off Offset Output Current2	Ics2B	140	160	180	μA
65	R Soft Blank Output Voltage	VOsoftR	-	0.1	0.2	V
66	G Soft Blank Output Voltage	VOsoftG	-	0.1	0.2	V
67	B Soft Blank Output Voltage	VOsoftB	-	0.1	0.2	V
68	R Brightness High Output Voltage	VOHR	2.5	3.0	3.5	V
69	G Brightness High Output Voltage	VOHG	2.5	3.0	3.5	V
70	B Brightness High Output Voltage	VOHB	2.5	3.0	3.5	V



(Cut-off Control Offset Current &amp; Sink Current Waveform)

## AC Electrical Characteristics

(T<sub>amb</sub> = 25°C, V<sub>CC</sub> = 12 V, V<sub>DD</sub> = 12 V)

Table 4. AC Electrical Characteristics

No	Parameter	Symbol	Value			Unit
			Min	Typ	Max	
71	R Video Bandwidth	f-3dBR	85	-	-	MHz
72	G Video Bandwidth	f-3dBG	85	-	-	MHz
73	B Video Bandwidth	f-3dBB	85	-	-	MHz
74	R Video Amp Gain	AvmaxR	15.5	17.5	19.5	dB
75	G Video Amp Gain	AvmaxG	15.5	17.5	19.5	dB
76	B Video Amp Gain	AvmaxB	15.5	17.5	19.5	dB
77	Max Gain Difference between R-G AMP	ΔAvmaxRG	-1.0	-	1.0	dB
78	Max Gain Difference between G-B AMP	ΔAvmaxGB	-1.0	-	1.0	dB
79	Max Gain Difference between B-R AMP	ΔAvmaxBR	-1.0	-	1.0	dB
80	Low Gain Difference between R-G AMP	ΔAvlowRG	-1.0	-	1.0	dB
81	Low Gain Difference between G-B AMP	ΔAvlowGB	-1.0	-	1.0	dB
82	Low Gain Difference between B-R AMP	ΔAvlowBR	-1.0	-	1.0	dB
83	R Sub Drive Ctrl Max. -Center	AvDRmax	-3	-4	-5	dB
84	G Sub Drive Ctrl Max. -Center	AvDGmax	-3	-4	-5	dB
85	B Sub Drive Ctrl Max. -Center	AvDBmax	-3	-4	-5	dB
86	R Sub Drive Ctrl Min. -Center	AvDRmin	-11	-8	-5	dB
87	G Sub Drive Ctrl Min. -Center	AvDGmin	-11	-8	-5	dB
88	B Sub Drive Ctrl Min. -Center	AvDBmin	-11	-8	-5	dB
89	R Contrast Ctrl Max. -Center	AvCRmax	-7	-6	-4	dB
90	G Contrast Ctrl Max. -Center	AvCGmax	-7	-6	-4	dB
91	B Contrast Ctrl Max. -Center	AvCBmax	-7	-6	-4	dB
92	R Contrast Ctrl Min. -Center	AvCRmin	-	-	-35	dB
93	G Contrast Ctrl Min. -Center	AvCGmin	-	-	-35	dB
94	B Contrast Ctrl Min. -Center	AvCBmin	-	-	-35	dB
95	R ABL Control Range	ΔABLR	-8.5	-11.5	-14.5	dB
96	G ABL Control Range	ΔABLG	-8.5	-11.5	-14.5	dB
97	B ABL Control Range	ΔABLB	-8.5	-11.5	-14.5	dB
98	R Video Amp THD	THDR	-	1.0	5.0	%
99	G Video Amp THD	THDG	-	1.0	5.0	%

Table 4. AC Electrical Characteristics (Continued)

No	Parameter	Symbol	Value			Unit
			Min	Typ	Max	
100	B Video Amp THD	THDB	-	1.0	5.0	%
101	R Video Rising Time	trR	-	4.0	5.0	nS
102	G Video Rising Time	trG	-	4.0	5.0	nS
103	B Video Rising Time	trB	-	4.0	5.0	nS
104	R Video Falling Time	tfR	-	4.0	5.0	nS
105	G Video Falling Time	tfG	-	4.0	5.0	nS
106	B Video Falling Time	tfB	-	4.0	5.0	nS
107	R Blank Output Rising Time	trBlankR	-	6.0	15.0	nS
108	G Blank Output Rising Time	trBlankG	-	6.0	15.0	nS
109	B Blank Output Rising Time	trBlankB	-	6.0	15.0	nS
110	R Blank Output Falling Time	tfBlankR	-	6.0	15.0	nS
111	G Blank Output Falling Time	tfBlankG	-	6.0	15.0	nS
112	B Blank Output Falling Time	tfBlankB	-	6.0	15.0	nS
113	R Blank Rising Prop. Delay	trBlankPrR	-	23	50	nS
114	G Blank Rising Prop. Delay	trBlankPrG	-	23	50	nS
115	B Blank Rising Prop. Delay	trBlankPrB	-	23	50	nS
116	R Blank Falling Prop. Delay	tfBlankPrR	-	20	45	nS
117	G Blank Falling Prop. Delay	tfBlankPrG	-	20	45	nS
118	B Blank Falling Prop. Delay	tfBlankPrB	-	20	45	nS
119	R Video Amp ISO1 10 kHz	ISO1_10KR	-	-65	-45	dB
120	R Video Amp ISO2 10 kHz	ISO2_10KG	-	-65	-45	dB
121	G Video Amp ISO1 10 kHz	ISO1_10KB	-	-65	-45	dB
122	G Video Amp ISO2 10 kHz	ISO2_10KR	-	-65	-45	dB
123	B Video Amp ISO1 10 kHz	ISO1_10KG	-	-65	-45	dB
124	B Video Amp ISO2 10 kHz	ISO2_10KB	-	-65	-45	dB
125	R Video Amp ISO1 10 MHz	ISO1_10MR	-	-50	-35	dB
126	R Video Amp ISO2 10 MHz	ISO2_10MR	-	-50	-35	dB
127	G Video Amp ISO1 10 MHz	ISO1_10MG	-	-50	-35	dB
128	G Video Amp ISO2 10 MHz	ISO2_10MG	-	-50	-35	dB
129	B Video Amp ISO1 10 MHz	ISO1_10MB	-	-50	-35	dB
130	B Video Amp ISO2 10 MHz	ISO2_10MB	-	-50	-35	dB

## FUNCTIONAL DESCRIPTION

### I<sup>2</sup>C BUS Recommended Operating Conditions

Table 5. I<sup>2</sup>C BUS Recommended Operating Conditions

Symbol	Description	Min	Typ	Max	Unit
V <sub>inH</sub>	Input High Level Voltage	3.0	-	5.0	V
V <sub>inL</sub>	Input Low Level Voltage	0	-	1.5	V
f <sub>SCL</sub>	SCL Clock frequency	-	-	200	kHz
t <sub>BUF</sub>	Hold time before a new transmission can start	1.3	-	-	uS
t <sub>HDS</sub>	Hold time for Start conditions	0.6	-	-	uS
t <sub>SUP</sub>	Set-Up time for Stop conditions	0.6	-	-	uS
t <sub>LOW</sub>	The Low Period of SCL	1.3	-	-	uS
t <sub>HIGH</sub>	The High Period of SCL	0.6	-	-	uS
t <sub>HDAT</sub>	Hold time data	0.3	-	-	uS
t <sub>SUPDAT</sub>	Set-Up time data	0.25	-	-	uS
t <sub>R</sub>	Rise time of SCL	-	-	1.0	uS
t <sub>F</sub>	Fall time of SCL	-	-	3.0	uS

### I<sup>2</sup>C BUS Timing Requirement

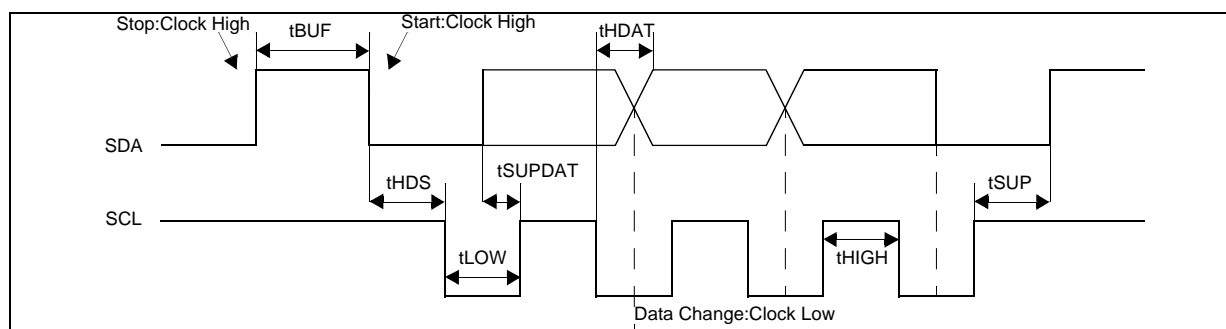


Figure 1. I<sup>2</sup>C BUS Timing Requirement

### Register Description

#### 1. Contrast Adjustment (8-Bits)

The Contrast adjustment is made by controlling simultaneously the gain of three internal variable gain amplifiers through the I<sup>2</sup>C bus interface.

The Contrast adjustment allows you to cover a typical range of 38 dB.

#### 2. Sub Contrast Adjustments (8-Bits × 3)

These Adjustments are used to adjust the gain of each channel controlled by the I<sup>2</sup>C bus. The Sub Contrast adjustment allows you to cover a typical range of 12 dB.

## 3. Brightness Adjustment (5-Bits)

The Brightness adjustment controls to add the same black level (pedestal) to the 3-channel R/G/B signals by I<sup>2</sup>C bus.

## 4. Cut-Off Adjustments (8-Bits × 3)

These Adjustments are used to adjust the white balance of the each channel controlled by the I<sup>2</sup>C bus.

## 5. Cut-Off Brightness Adjustment (8-Bits)

The Cut-Off Brightness Adjustment controls the 3-channel Cut-Off by I<sup>2</sup>C bus.

## 6. Slave Address

The 2-wire serial interface is an I<sup>2</sup>C BUS interface.

The Slave address of the S1D2504A01 is DCH (hexadecimal)

Bit 8	Bit 7	Bit 6	Bit 5	Bit 4	Bit 3	Bit 2	Bit 1
1	1	0	1	1	1	0	0 (W)

## 7. Data Transfer

All Bytes are sent MSB (Most Significant Bit) bit first and the write data transfer is closed by a STOP.

The MCU can write data into the S1D2504A01 registers.

To write data into the S1D2504A01, after a start, MCU must send :

- The I<sup>2</sup>C address slave byte with a low level for R/W bit (bit 1)
- The byte of the internal register address where the MCU wants to write data. (SUB Address)
- The Data sent to slave
- Stop

## - 1-Byte Data Transfer

STA	Slave ADRS	W	A	SUB ADRS	A	DATA	A	STO
-----	------------	---	---	----------	---	------	---	-----

## - Multi-Data Transfer

STA	Slave ADRS	W	A	Sub ADRS	A	DATA	A	Sub ADRS	A	DATA	A	- - -
-----	------------	---	---	----------	---	------	---	----------	---	------	---	-------

- - -	Sub ADRS	A	DATA	A	STO
-------	----------	---	------	---	-----

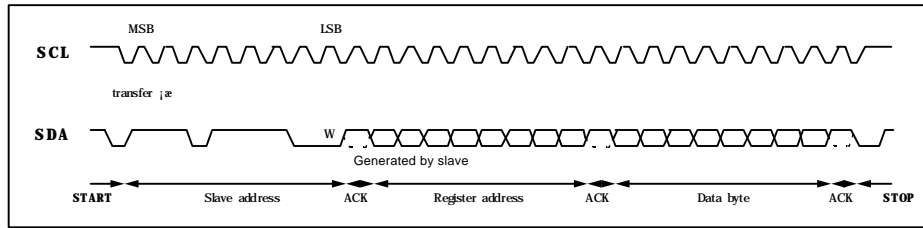
## - Automatic increment

The automatic increment feature of the slave address enables a quick slave receiver initialization within one transmission by the I<sup>2</sup>C BUS controller.

STA	Slave ADRS	W	A	Auto ADRS	A	DATA (00H)	A	DATA (01H)	A	DATA (02H)	A	- - -
-----	------------	---	---	-----------	---	------------	---	------------	---	------------	---	-------

- - -	DATA (07H)	A	DATA (08H)	A	STO
-------	------------	---	------------	---	-----

8. I<sup>2</sup>C Write Operation: A complete data transfer



The automatic increment feature of the sub address enables a quick slave receiver initialization within one transmission, by the I<sup>2</sup>C Bus controller.

9. Sub Address Allocation Map (Slave address: DCH)

SUB Address [Hex]	Function								Initial Value [Hex]
	D7	D6	D5	D4	D3	D2	D1	D0	
00H	Contrast Control								80H
01H	SBLK	CS1	CS2	Brightness Control					00H
02H	R Sub Contrast Control								80H
03H	G Sub Contrast Control								80H
04H	B Sub Contrast Control								80H
05H	Cut-Off Brightness Control								80H
06H	R Cut-Off Control								80H
07H	G Cut-Off Control								80H
08H	B Cut-Off Control								80H

**NOTE:** SBLK: Soft Blanking Switch (1: ON, 0: OFF)  
 CS1/2: Cut-off Control Offset Current Switch (CS1: 80µA, CS2: 160µA)



- Contrast Register (SUB ADRS: 00H) (Vin = 0.56 Vpp, bright: 00H, sub: FFH)

Hex	D7	D6	D5	D4	D3	D2	D1	D0	Contrast (Vpp)	Gain (dB)	Int value (Hex)
00	0	0	0	0	0	0	0	0	0	-30.0	
80	1	0	0	0	0	0	0	0	1.12	11.5	0
FF	1	1	1	1	1	1	1	1	4.2	17.5	
increment/bit									0.0164	-	

- Brightness Register (3-ch)(SUB ADRS: 01H) (cont: 80H, sub: FFH)

Hex	D4	D3	D2	D1	D0	Brightness (V)	Int. value (Hex)
00	0	0	0	0	0	1	0
10	1	0	0	0	0	2	
1f	1	1	1	1	1	3	
increment/bit						0.0625	

- SUB Contrast Register (R/G/B-ch)(SUB ADRS: 02/03/04H) (Vin = 0.56 Vpp, bright: 00H, cont: FFH)

Hex	D7	D6	D5	D4	D3	D2	D1	D0	Sub Contrast (Vpp)	Gain (dB)	Int. value (Hex)
00	0	0	0	0	0	0	0	0	1.33	7.5	
80	1	0	0	0	0	0	0	0	2.65	13.5	0
FF	1	1	1	1	1	1	1	1	4.2	17.5	
increment/bit									0.0123		

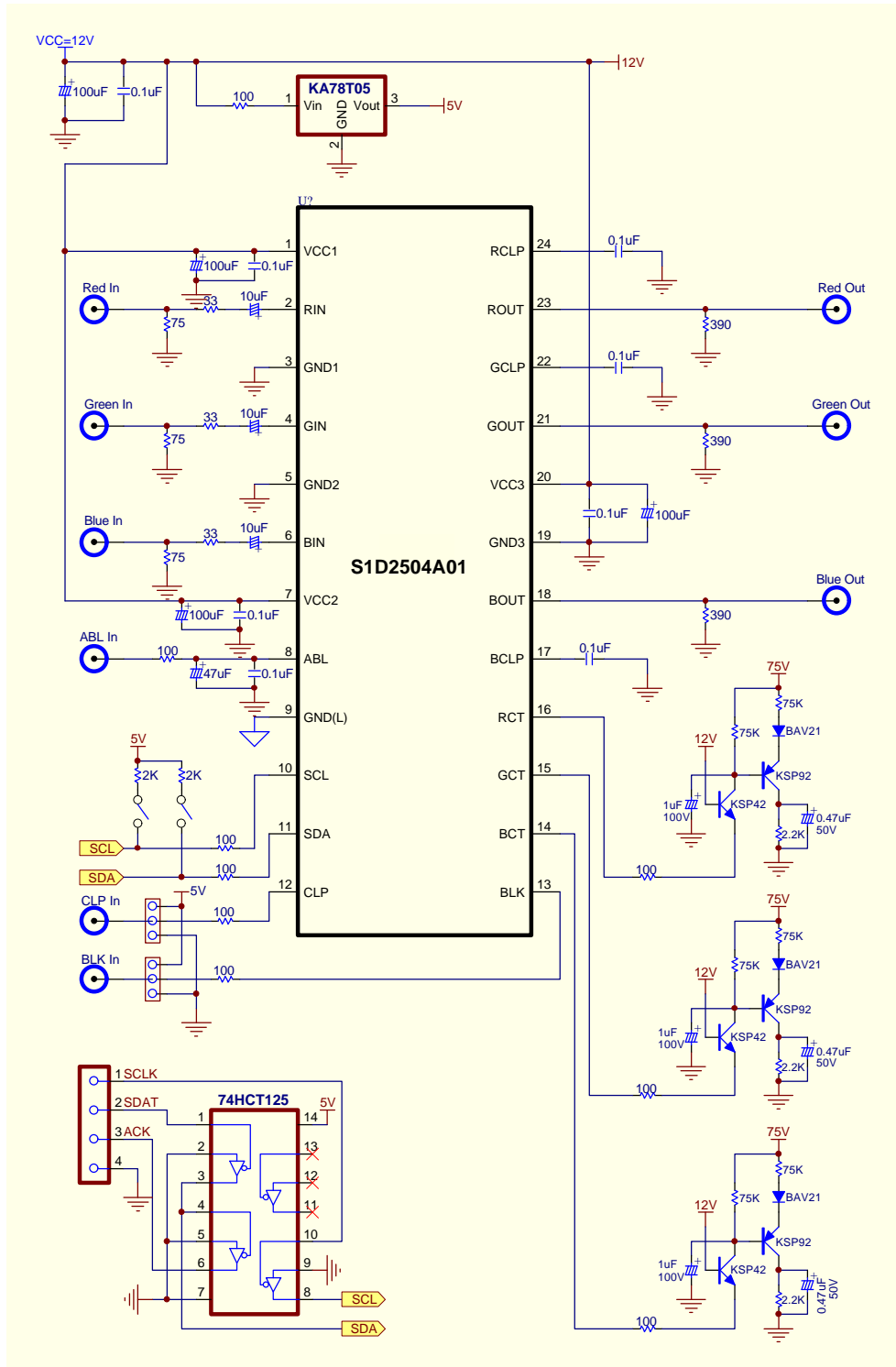
- Cut-Off Brightness Register (3-ch) (SUB ADRS: 05H)

Hex	D7	D6	D5	D4	D3	D2	D1	D0	Cut-Off brightness (μA)	Int. value (Hex)
00	0	0	0	0	0	0	0	0	0	
80	1	0	0	0	0	0	0	0	90	0
FF	1	1	1	1	1	1	1	1	180	
increment/bit									0.703	

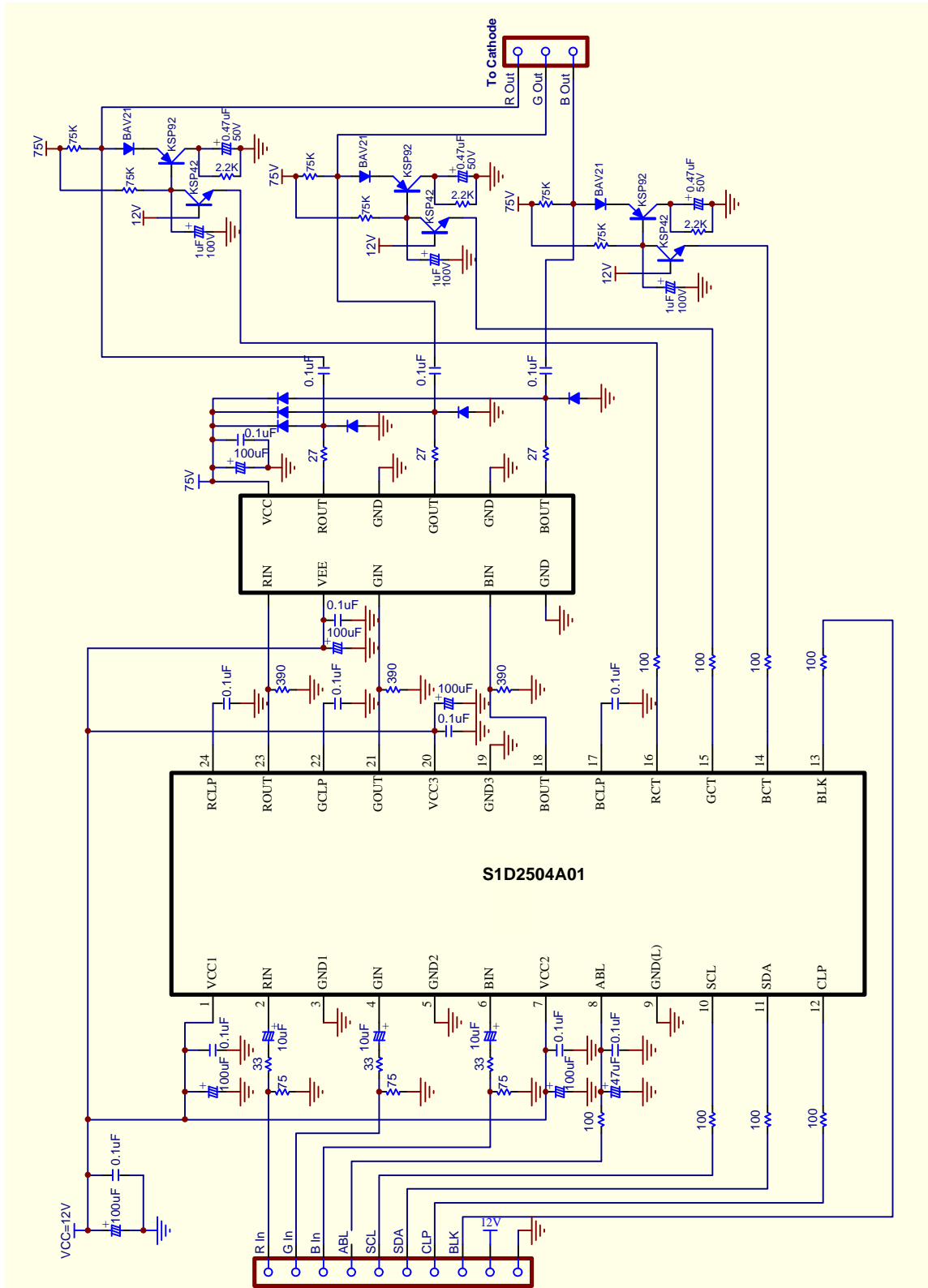
- Cut-Off Register (R/G/B-ch) (SUB ADRS: 06/07/08H) (cont: 80H, sub: FFH)

Hex	D7	D6	D5	D4	D3	D2	D1	D0	Cut-Off (μA)	Int. value (Hex)
00	0	0	0	0	0	0	0	0	0	
80	1	0	0	0	0	0	0	0	270	0
FF	1	1	1	1	1	1	1	1	540	
increment/bit									2.11	

APPLICATION BOARD CIRCUIT



APPLICATION CIRCUIT



CHARACTERISTICS CURVE

