

# **S1F76610M2E**

## **Technical Manual**

## NOTICE

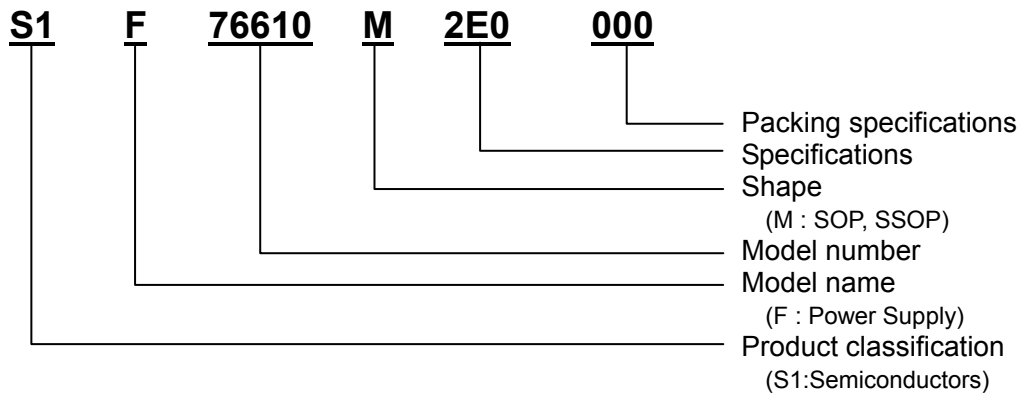
---

No part of this material may be reproduced or duplicated in any form or by any means without the written permission of Seiko Epson. Seiko Epson reserves the right to make changes to this material without notice. Seiko Epson does not assume any liability of any kind arising out of any inaccuracies contained in this material or due to its application or use in any product or circuit and, further, there is no representation that this material is applicable to products requiring high level reliability, such as, medical products. Moreover, no license to any intellectual property rights is granted by implication or otherwise, and there is no representation or warranty that anything made in accordance with this material will be free from any patent or copyright infringement of a third party. This material or portions thereof may contain technology or the subject relating to strategic products under the control of the Foreign Exchange and Foreign Trade Law of Japan and may require an export license from the Ministry of Economy, Trade and Industry or other approval from another government agency.

All other product names mentioned herein are trademarks and/or registered trademarks of their respective companies.

## Configuration of product number

### ●DEVICES



## Table of Contents

<b>1. DESCRIPTION .....</b>	<b>1</b>
<b>2. FEATURES.....</b>	<b>1</b>
<b>3. BLOCK DIAGRAM .....</b>	<b>2</b>
<b>4. PIN DESCRIPTION .....</b>	<b>3</b>
4.1 Pin assignment .....	3
4.2 Pin functions .....	3
<b>5. FUNCTIONAL DESCRIPTION .....</b>	<b>4</b>
<b>6. ELECTRICAL CHARACTERISTICS .....</b>	<b>7</b>
6.1 Absolute maximum ratings .....	7
6.2 Recommended operating conditions.....	8
6.3 Electrical characteristics.....	9
6.4 Measuring circuits .....	10
<b>7. CHARACTERISTIC DATA SHEETS .....</b>	<b>12</b>
<b>8. APPLIED-CIRCUIT EXAMPLES .....</b>	<b>17</b>

## 1. DESCRIPTION

The S1F76610 is a CMOS DC-DC converter with high efficiency and low power consumption.

It consists of two major components: a booster and a stabilizer. The booster assures double boosting output (-3.6 to -12V) or triple boosting output (-5.4 to -18V) for input voltage (-1.8 to -6V).

The stabilizer sets any output voltage. It also provides three types of negative temperature gradients for stabilization output, and it is appropriate for LCD power.

The S1F76610 enables you to drive an IC (liquid crystal driver, analog IC, etc.) that would usually require another power supply in addition to the logic main power, using a single power supply. Therefore, it is suitable for supplying micro-power to compact electrical devices such as hand-held computers with low power consumption.

## 2. FEATURES

- (1) CMOS DC-DC converter with high efficiency and low power consumption
- (2) Easy conversion from input voltage  $V_{IN}$  (-5V) to four types of positive/negative voltages  
Output  $+ |V_{IN}|$  (+5V),  $+2 |V_{IN}|$  (+10V),  $2V_{IN}$  (-10V), and  $3V_{IN}$  (-15V) from input  $V_{IN}$  (-5V)
- (3) Output voltage stabilizer built-in  
Any output voltage settable with external resistor
- (4) Output current ..... Max. 20 mA ( $V_{IN} = -5V$ )
- (5) Power conversion efficiency ..... Typ. 95%
- (6) Temperature gradient selectable for LCD power  
3 types:  $-0.05\%/^{\circ}C$ ,  $-0.30\%/^{\circ}C$  and  $-0.50\%/^{\circ}C$
- (7) Power-off operation by external signal  
Static current for power-off: Max.  $2\mu A$
- (8) Serial connection enabled ( $V_{IN} = -5V$ ,  $V_{OUT} = -20V$  using two ICs)
- (9) Low voltage operation: Appropriate for battery drive
- (10) CR oscillation circuit built-in
- (11) SSOP2-16 pin
- (12) This IC is not designed for strong radiation activity proof.

### 3. BLOCK DIAGRAM

### 3. BLOCK DIAGRAM

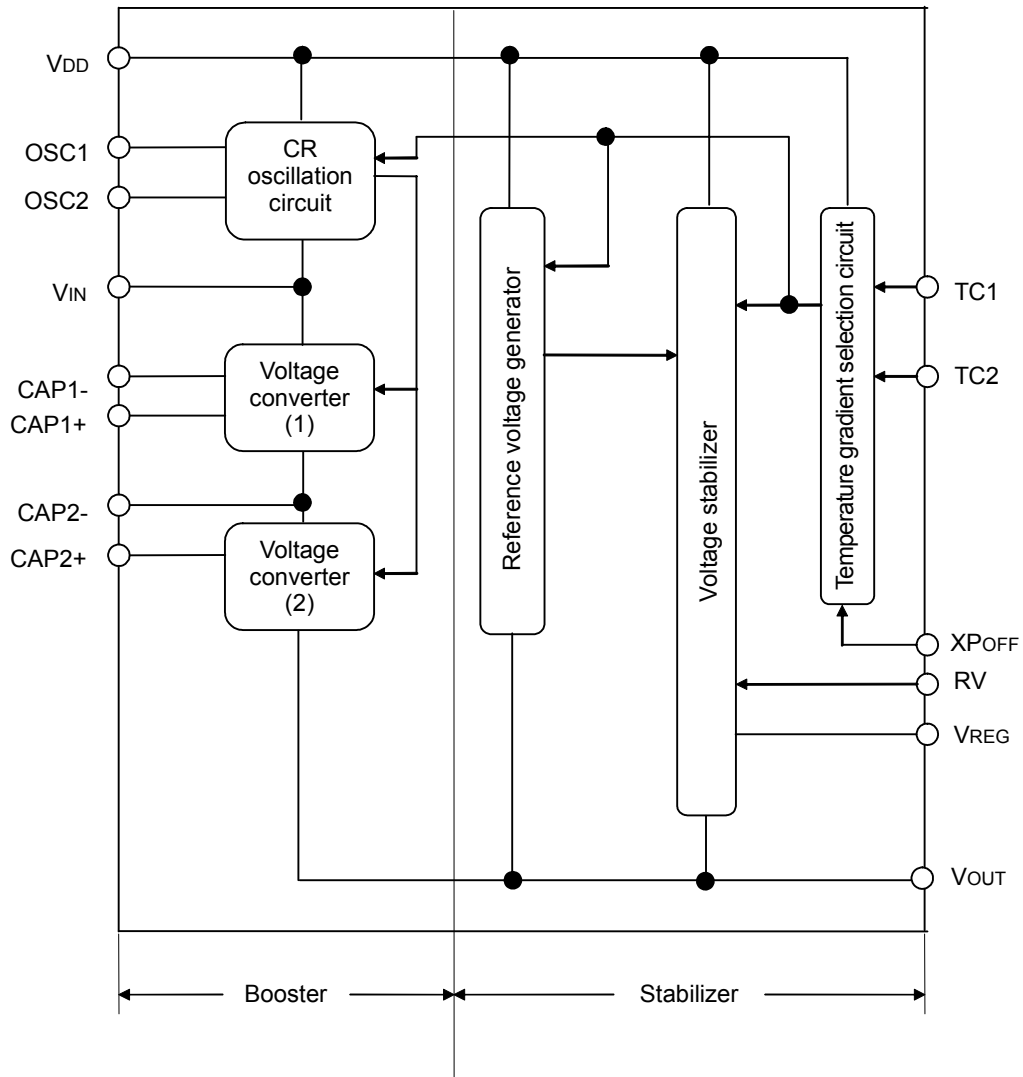


Fig.3.1 Block diagram

## 4. PIN DESCRIPTION

### 4.1 Pin assignment

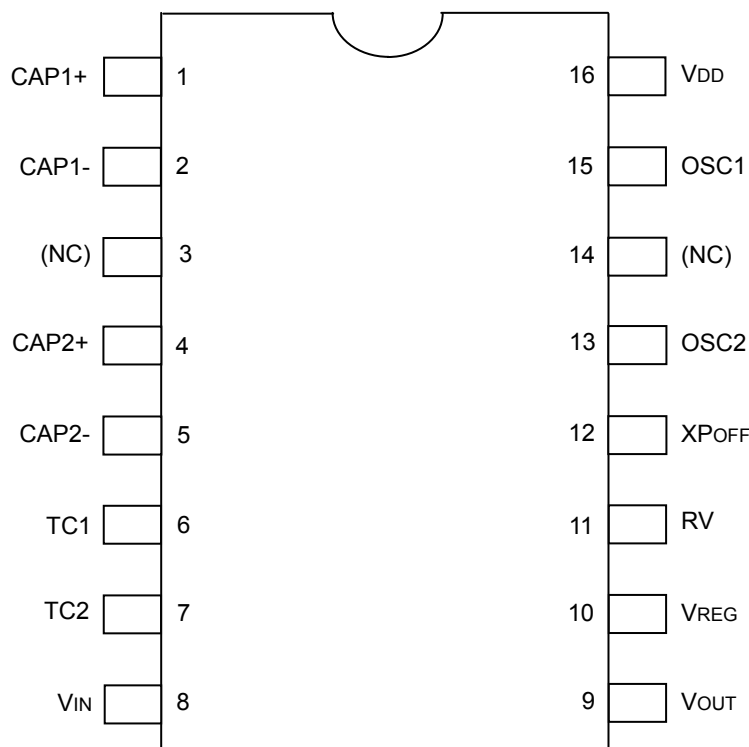


Fig.4.1 SSOP2-16 pin assignment

### 4.2 Pin functions

Pin No.	Pin name	Function
1	CAP1+	Positive pin connected to pump-up capacitor for double boosting
2	CAP1-	Negative pin connected to pump-up capacitor for double boosting Next-stage clock for serial connection
4	CAP2+	Positive pin connected to pump-up capacitor for triple boosting
5	CAP2-	Negative pin connected to pump-up capacitor for triple boosting Output pin for double boosting (shorted with VOUT)
6	TC1	Temperature gradient selection pin
7	TC2	
8	VIN	Power supply pin (Negative side, system GND)
9	VOUT	Output pin for triple boosting
10	VREG	Stabilizing voltage output pin
11	RV	Stabilizing voltage adjustment pin Adjusts the VREG output voltage by connecting an intermediate tap of the external volume (3-pin resistor) connected between the VDD and VREG pins to the RV pin.
12	XPOFF	VREG output ON/OFF control pin Controls S1F76610 power-off (VREG output power off) by inputting a control signal from the system to this pin.
13	OSC2	Pin connected to oscillation resistor Opened for external clock operation.
15	OSC1	Pin connected to oscillation resistor Functions as a clock input pin for external clock operation
16	VDD	Power supply pin (Positive side, system VCC)

## 5. FUNCTIONAL DESCRIPTION

---

### 5. FUNCTIONAL DESCRIPTION

#### ① CR oscillation circuit

The S1F76610 is equipped with a CR oscillation circuit as an internal oscillation circuit, connecting external resistor ROSC for oscillation between the OSC1 and OSC2 pins. (Fig.5.1)

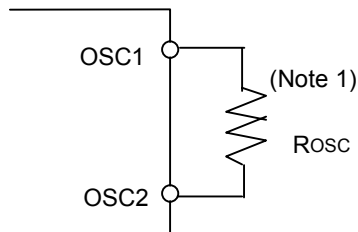


Fig.5.1 CR oscillation circuit

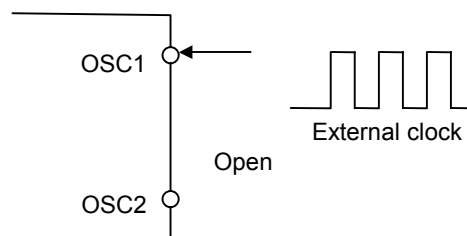


Fig.5.2 External clock operation

Note 1) The oscillation frequency varies depending on the wiring capacity, so the wire between OSC1, OSC2, and ROSC must be short as possible.

To set the external resistor ROSC, first obtain the oscillation frequency fosc that satisfies the maximum efficiency in Fig.7.12 and 7.13, and then obtain ROSC corresponding to the fosc in Fig.7.1. The relation between ROSC and fosc shown in Fig.7.1 is expressed with the following formula, concerning only the straight part (500kΩ < ROSC < 2MΩ).

$$R_{osc} = A \cdot \frac{1}{f_{osc}} \quad \left( \begin{array}{l} A = \text{Constant} : V_{DD} = 0V, V_{IN} = -5V \\ \rightarrow A = 2.0 \times 10^{10} (\Omega \cdot \text{Hz}) \end{array} \right)$$

Therefore, the ROSC value is obtained from the relational expression above.  
(Recommended oscillation frequency: 10kHz to 30kHz (ROSC: 2MΩ to 680kΩ))

For external clock operation, as shown in Fig.5.2, open the OSC2 pin and input external clocks (duty 50%) from the OSC1 pin.



### ② Voltage converters (I) and (II)

Voltage converters (I) and (II) perform double boosting and triple boosting for input power voltage  $V_{IN}$  using clocks generated in the CR oscillation circuit.

For double boosting, the double input voltage  $V_{IN}$  is obtained from the CAP2- pin by connecting an external pump-up capacitor between CAP1+ and CAP1- and an external smoothing capacitor between  $V_{IN}$ , CAP2, and CAP2-. For triple boosting, the triple input voltage  $V_{IN}$  is obtained from the VOUT pin by connecting an external pump-up capacitor between CAP1+ and CAP1- and between CAP2+ and CAP2-, and connecting an external smoothing capacitor between  $V_{IN}$  and VOUT.

Fig.4.3 and 4.4 show the relationships between input and output voltages, using  $V_{DD} = 0V$  and  $V_{IN} = -5V$ .

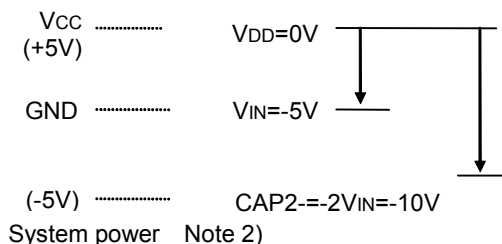


Fig.5.3 Relationships between double boosting voltages

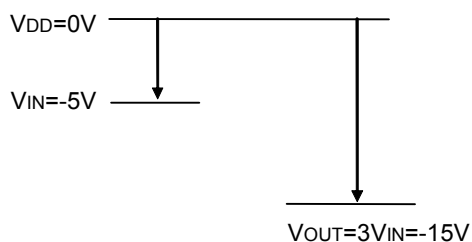


Fig.5.4 Relationships between triple boosting voltages

Note 1) In triple boosting, the double boosting output (-10V) cannot be obtained from the CAP2- pin.

Note 2) When connecting to the system power, CAP2- = -5V is obtained for double boosting output and  $V_{OUT} = -10V$  is obtained for triple boosting by setting  $V_{IN} =$  system power GND;  $V_{DD} =$  system power  $V_{CC} = +5V$ .

### ③ Reference voltage generator, voltage stabilizer

The reference voltage generator generates a reference voltage required to operate the voltage stabilizer, and provides a temperature gradient to the reference voltage. There are three types of temperature gradients and the appropriate one is selected by a signal sent from the temperature gradient selection circuit. The voltage stabilizer stabilizes boosting output voltage  $V_{OUT}$  and outputs any voltage. As shown in Fig.5.5, the  $V_{REG}$  output voltage can be set to any voltage between the reference voltage  $V_{RV}$  and  $V_{OUT}$  by connecting the external resistor  $R_{RV}$  and changing the voltage of the intermediate tap.

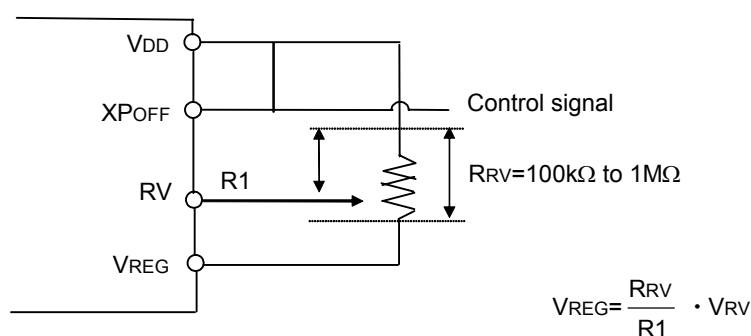


Fig.5.5 Voltage stabilizer

The voltage stabilizer, which is equipped with the power-off function, enables  $V_{REG}$  output ON/OFF control at timings when the signal is sent from the system (microprocessor, etc.).

When  $XPOFF = \text{High}$  ( $V_{DD}$ ), the  $V_{REG}$  output is turned ON; when  $XPOFF = \text{Low}$  ( $V_{IN}$ ), it is turned OFF.

If the  $V_{REG}$  output ON/OFF control is not necessary,  $XPOFF$  is fixed to High ( $V_{DD}$ ).

## 5. FUNCTIONAL DESCRIPTION

### ④ Temperature gradient selection circuit

As shown in Table 5.1, the S1F76610 provides three appropriate temperature gradients for LCD driving to VREG output.

Table 5.1 Correspondence between temperature gradients and VREG output ON/OFF

XPOFF Note 1)	TC2 Note 1)	TC1 Note 1)	Temperature gradient CT Note 2)	VREG output	CR oscillation circuit	Remarks
1 (VDD)	Low (VOUT)	Low (VOUT)	-0.30%/°C	ON	ON	—
1 (VDD)	Low (VOUT)	High (VDD)	-0.05%/°C	ON	ON	—
1 (VDD)	High (VDD)	Low (VOUT)	-0.50%/°C	ON	ON	—
1 (VDD)	High (VDD)	High (VDD)	-0.50%/°C	ON	OFF	Serial connection Note 4)
0 (VIN)	Low (VOUT)	Low (VOUT)	—	OFF(Hi-Z) Note 3)	OFF	—
0 (VIN)	Low (VOUT)	High (VDD)	—	OFF(Hi-Z) Note 3)	OFF	—
0 (VIN)	High (VDD)	Low (VOUT)	—	OFF(Hi-Z) Note 3)	OFF	—
0 (VIN)	Low (VDD)	High (VDD)	—	OFF(Hi-Z)	ON	Boosting only Note 5)

Note 1) The low voltage is different between the XPOFF, TC2, and TC1 pins.

Note 2) The temperature gradient CT is defined in the following formula:

$$CT = \frac{|V_{REG}(50^{\circ}C)| - |V_{REG}(0^{\circ}C)|}{50^{\circ}C - 0^{\circ}C} \times \frac{1}{|V_{REG}(25^{\circ}C)|} \quad (*/^{\circ}C)$$

Here,  $|V_{REG}|$  means  $V_{DD} - V_{REG}$ . In Table 5.1, the negative sign assigned to each temperature gradient means that  $V_{DD} - V_{REG} = |V_{REG}|$  reduces as the temperature rises.

$$\frac{\Delta |V_{REG}|(T_a)}{|V_{REG}|} = \frac{|V_{REG}(T_a)| - |V_{REG}(25^{\circ}C)|}{|V_{REG}(25^{\circ}C)|}$$

Based on this formula, Fig.7.19 shows the relationships between  $\frac{\Delta |V_{REG}|}{|V_{REG}|}$  and temperature  $T_a$ . In Fig.7.19, the inclination below indicates CT.

$$\left\{ \frac{\Delta |V_{REG}|(50^{\circ}C)}{|V_{REG}|} = \frac{\Delta |V_{REG}|(0^{\circ}C)}{|V_{REG}|} \right\} / (50^{\circ}C - 0^{\circ}C)$$

Example: When  $CT = -0.5%/^{\circ}C$  is selected;

if VREG output at  $T_a = 25^{\circ}C$  is  $V_{REG}(25^{\circ}C) = -8V$ ,

$\Delta V_{REG} / \Delta T = CT \cdot |V_{REG}(25^{\circ}C)| = -0.5 \times 10^{-2} \times 8 = -40mV/^{\circ}C$  is obtained,

the  $|V_{REG}|$  value reduces 40mV each time the temperature rises  $1^{\circ}C$ .

$V_{REG}(25^{\circ}C) = -10V$  results in  $\Delta |V_{REG}| / \Delta T = -50mV/^{\circ}C$ .

Note 3) When the power is off (VREG output: OFF, CR oscillation circuit: OFF), the VOUT output voltage is set to  $V_{IN} + 0.5V$ .

Note 4) Selecting this mode for serial connection drives the next-stage IC with the first-stage clock, and reduces the power consumption of the next-stage IC. (See item 8 - (4).)

Note 5) This mode is recommended for boosting. It minimizes the current consumption.

## 6. ELECTRICAL CHARACTERISTICS

### 6.1 Absolute maximum ratings

Item	Symbol	Standard value		Unit	Remarks
		Min.	Max.		
Input power voltage	$V_{IN}$	-20/N	$V_{DD}+0.3$	V	$V_{IN}$ N = 2: Double boosting N = 3: triple boosting
Input pin voltage	$V_I$	$V_{IN}-0.3$	$V_{DD}+0.3$	V	OSC1, XPOFF
		$V_{OUT}-0.3$	$V_{DD}+0.3$	V	TC1, TC2, RV
Output voltage	$V_{OUT}$	-20	$V_{DD}+0.3$	V	$V_{OUT}$ Note 3)
		$V_{OUT}$	$V_{DD}+0.3$	V	$V_{REG}$ Note 3)
Output pin voltage 1	VOC1	$V_{IN}-0.3$	$V_{DD}+0.3$	V	CAP1+, CAP2+, OSC2
Output pin voltage 2	VOC2	$2 \times V_{IN}-0.3$	$V_{DD}+0.3$	V	CAP1-
Output pin voltage 3	VOC3	$3 \times V_{IN}-0.3$	$V_{DD}+0.3$	V	CAP2-
Allowable dissipation	$P_d$	—	210	mW	SSOP2-16PIN
Operating temperature	$T_{opr}$	-40	85	°C	
Storage temperature	$T_{stg}$	-55	150	°C	
Soldering temperature and time	$T_{sol}$	—	260•10	°C•S	Lead part

Note 1) Exceeding the absolute maximum ratings above may cause a permanent destruction of the IC.

A long-term operation with the absolute maximum ratings may cause a significant reduction of reliability.

Note 2) All the voltage values above are based on  $V_{DD}$ .

Note 3) The  $V_{OUT}$  and  $V_{REG}$  output pins output the boosted voltage and stabilized boosted-voltage. No external voltage should therefore be applied to these pins. When being compelled to apply external voltage to the pins for use, it must be in the allowable range of the rated voltages above.

## 6. ELECTRICAL CHARACTERISTICS

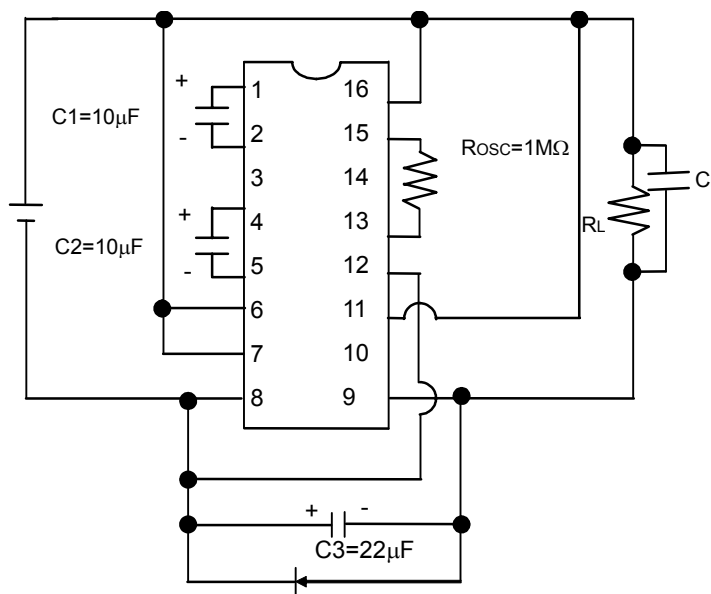
### 6.2 Recommended operating conditions

Item	Symbol	Standard value		Unit	Remarks
		Min.	Max.		
Boosting start voltage	VSAT1	—	-1.8	V	Rosc = 1MΩ, C3 ≥ 10μF CL / C3 ≤ 20 Ta = -40 to 85°C, Note 1)
	VSAT2	—	-2.2		Rosc = 1MΩ
Boosting stop voltage	VSTP	-1.8	—	V	Rosc = 1MΩ
Output load resistance	RL	RLim Note 2)	—	V	—
Output load current	IOUT	—	20	Ω	—
Oscillation frequency	fosc	10	30	mA	—
External resistor for oscillation	Rosc	680	2000	kHz	—
Boosting capacitor	C1, C2, C3	3.3	—	μF	—
Stabilization-output adjusting resistor	RRV	100	1000	kΩ	—

All the voltages are based on  $V_{DD} = 0V$ .

Note 1) For low-voltage ( $V_{IN} = -1.8$  to  $-2.2V$ ) operation, the recommended circuit is as follows:

Note 2)  $R_{Lmin}$  varies depending on the input voltage.



D1 (VF (IF = 1mA) ≤ 0.6V recommended)

Fig.6.2.1 Recommended circuit for low-voltage operation

## 6.3 Electrical characteristics

$T_a = -40^{\circ}\text{C}$  to  $+85^{\circ}\text{C}$   $V_{DD} = 0\text{V}$ ,  $V_{IN} = -5\text{V}$  unless especially specified.

Item	Symbol	Standard value			Unit	Conditions	Measuring circuit
		Min.	Typ.	Max.			
Input power voltage	$V_{IN}$	-6.0	—	-1.8	V		—
Output voltage	$V_{OUT}$	-18.0	—	—	V		—
Stabilizer output voltage	$V_{REG}$	-18.0	—	$V_{RV}$	V	$R_L = \infty$ , $R_{RV} = 1\text{M}\Omega$ , $V_{OUT} = -18\text{V}$	②
Stabilizer operating voltage	$V_{OUT}$	-18.0	—	-7.0	V		—
Booster current consumption	$I_{opr1}$	—	30	60	$\mu\text{A}$	$R_L = \infty$ , $R_{OSC} = 1\text{M}\Omega$	①
Stabilized circuit current consumption	$I_{opr2}$	—	10	20	$\mu\text{A}$	$R_L = \infty$ , $R_{RV} = 1\text{M}\Omega$ , $V_{OUT} = -15\text{V}$	②
Static current	$I_q$	—	—	2	$\mu\text{A}$	$R_L = \infty$ , $OSC1 = V_{DD}$ , $V_{OUT} = -10\text{V}$	④
Oscillation frequency	$f_{OSC}$	16	20	24	kHz	$R_{OSC} = 1\text{M}\Omega$	①
Output impedance	$R_{out}$	—	120	150	$\Omega$	$I_{OUT} = 10\text{mA}$	①
Boosting power conversion efficiency Note 2)	$P_{eff}$	90	95	—	%	$I_{OUT} = 5\text{mA}$	①
Stabilization output Voltage variation	$\frac{\Delta V_{REG}}{\Delta V_{OUT} \cdot V_{REG}}$	—	0.1	—	%/V	$-18\text{V} < V_{OUT} < -8\text{V}$ , $V_{REG} = -8\text{V}$ $R_L = \infty$ , $T_a = 25^{\circ}\text{C}$	②
Stabilization output Note 3) Load change	$\frac{\Delta V_{REG}}{\Delta I_{OUT}}$	—	5.0	—	$\Omega$	$V_{OUT} = -15\text{V}$ , $V_{REG} = -8\text{V}$ $T_a = 25^{\circ}\text{C}$ , $0 < I_{OUT} < 10\text{mA}$ , $TC2 = V_{DD}$ , $TC1 = V_{OUT}$	②
Stabilization output Note 4) Saturated resistance	$R_{SAT}$	—	5.0	—	$\Omega$	$R_{SAT} = \Delta (V_{REG} - V_{OUT}) / \Delta I_{OUT}$ $0 < I_{OUT} < 10\text{mA}$ , $R_V = V_{DD}$ , $T_a = 25^{\circ}\text{C}$	②
Reference voltage	$VRV0$	-4.0	-3.0	-2.0	V	$TC2 = V_{OUT}$ , $TC1 = V_{DD}$ , $T_a = 25^{\circ}\text{C}$	②
	$VRV1$	-2.5	-2.0	-1.5	V	$TC2 = TC1 = V_{OUT}$ , $T_a = 25^{\circ}\text{C}$	
	$VRV2$	-1.3	-1.1	-1.0	V	$TC2 = V_{DD}$ , $TC1 = V_{OUT}$ , $T_a = 25^{\circ}\text{C}$	
Temperature gradient	$CT0$	-0.15	-0.05	+0.10	%/°C	$CT1, CT2, CT3 =$ $(( V_{REG}(50^{\circ}\text{C})  -  V_{REG}(0^{\circ}\text{C}) ) / (50^{\circ}\text{C} - 0^{\circ}\text{C}))$ $\times (1/ V_{REG}(25^{\circ}\text{C}) ) \times 100$	②
	$CT1$	-0.40	-0.30	-0.15	%/°C		
	$CT2$	-0.60	-0.50	-0.40	%/°C		
Input leak current	$I_{LKI}$	—	—	2	$\mu\text{A}$	$XPOFF$ , $TC1$ , $TC2$ , $OSC1$ , $RV$ pin	③
Input voltage	$V_{IH}$	$0.3V_{IN}$	—	—	V	$V_{IN} = -1.8$ to $-6.0\text{V}$ , $XPOFF$ pin	—
	$V_{IL}$	—	—	$0.7V_{IN}$	V	$V_{IN} = -1.8$ to $-6.0\text{V}$ , $XPOFF$ pin	—

Note 1) All the voltages are based on  $V_{DD} = 0\text{V}$ .

Note 2) The values above indicate the conversion efficiency of the booster. When the stabilizer is active, the loss is  $(V_{REG} - V_{OUT}) \times I_{OUT}$ .

We therefore recommend a method of reducing  $(V_{REG} - V_{OUT})$  as much as possible.

If  $(V_{REG} - V_{OUT}) \times I_{OUT}$  is high, the stabilizer characteristics vary as the IC temperature rises.

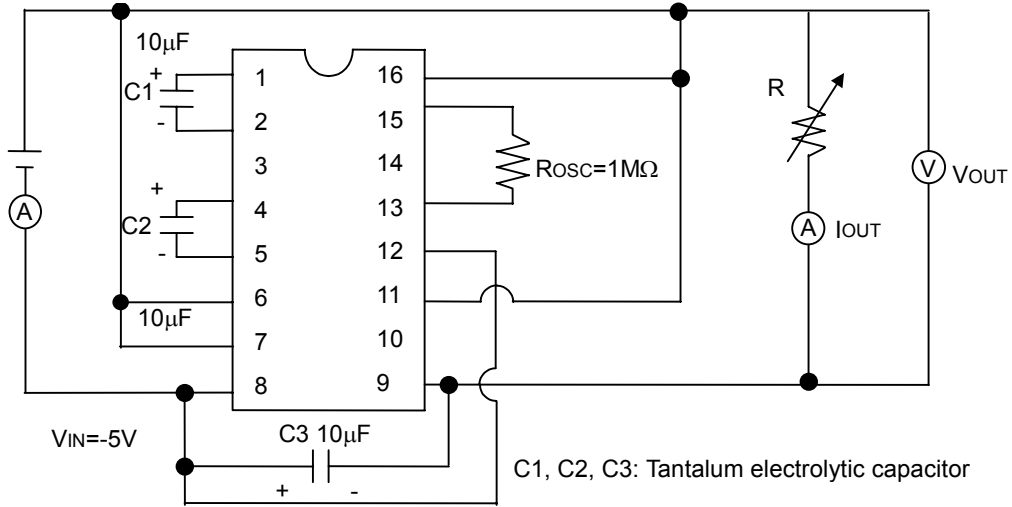
Note 3) See Fig.7.15, 7.16, and 7.17.

Note 4)  $R_{SAT}$  indicates the inclination shown in Fig.7.18;  $V_{OUT} + \Delta (V_{REG} - V_{OUT})$  indicates the lower limit voltage of the  $V_{REG}$  output.

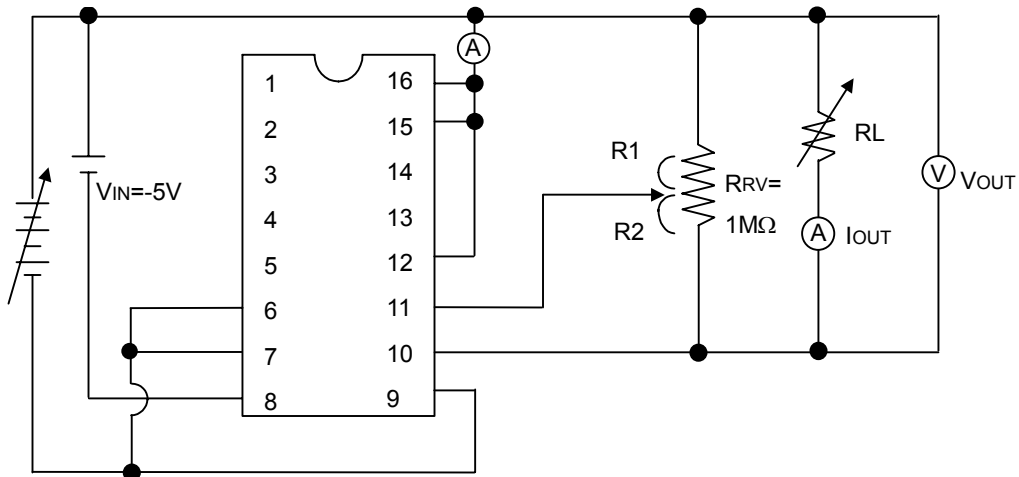
## 6. ELECTRICAL CHARACTERISTICS

### 6.4 Measuring circuits

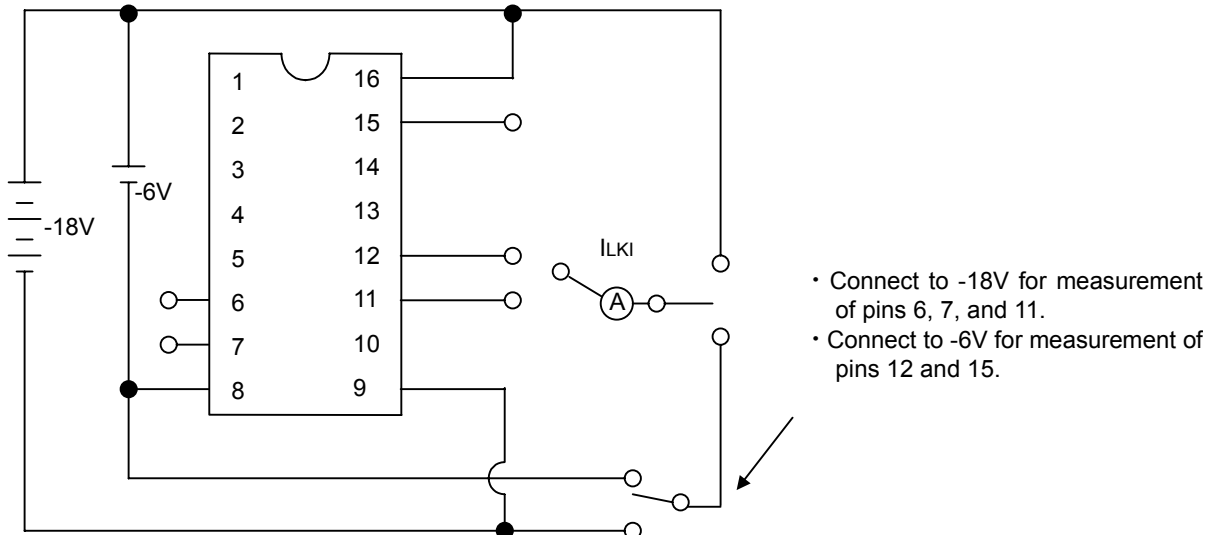
#### ① Booster characteristic measuring circuit



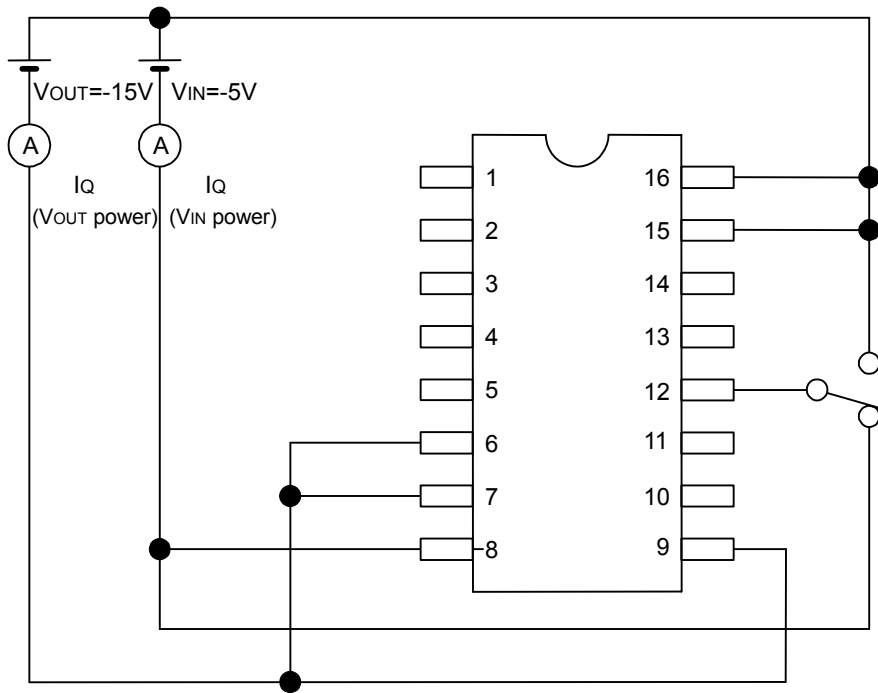
#### ② Stabilizer characteristic measuring circuit



#### ③ Input leak current characteristic measuring circuit



### ④ Static-current characteristic measuring circuit



## 7. CHARACTERISTIC DATA SHEETS

### 7. CHARACTERISTIC DATA SHEETS

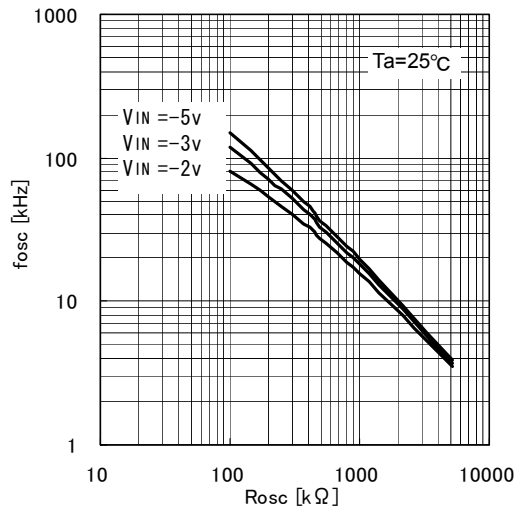


Fig.7.1 Oscillation frequency - External resistor for oscillation

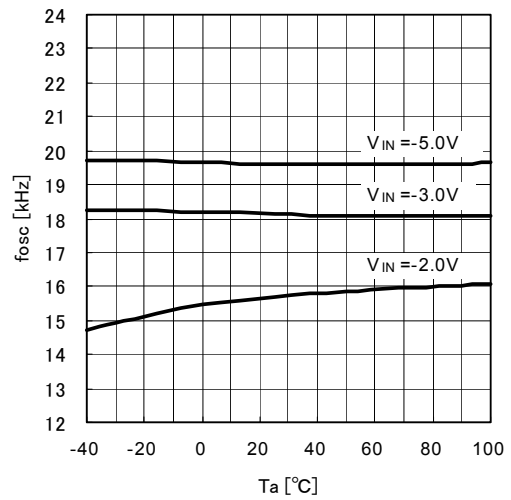


Fig.7.2 Oscillation frequency - Temperature

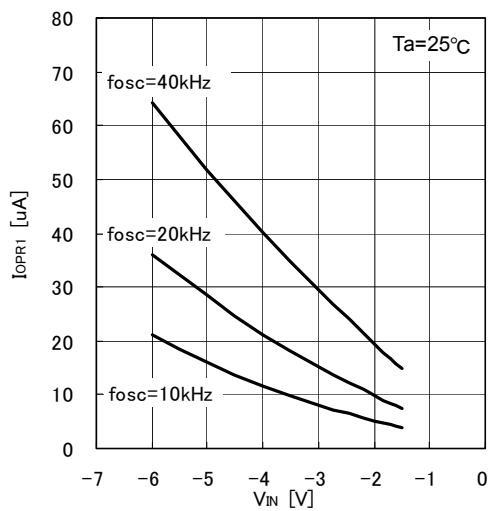


Fig.7.3 Booster current consumption - Input voltage

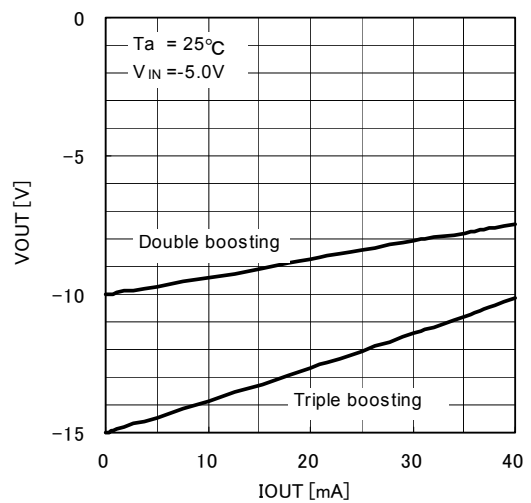


Fig.7.4 Output voltage - Output current



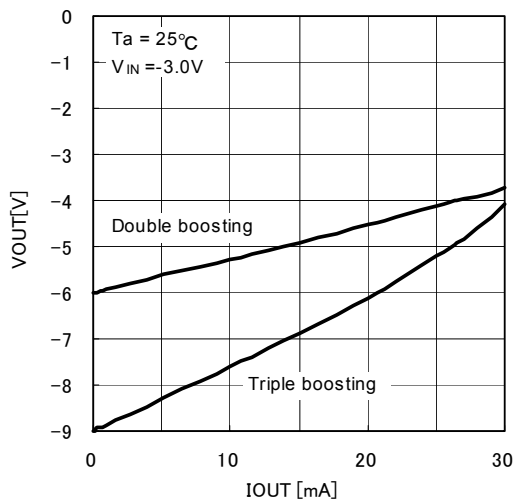


Fig.7.5 Output voltage - Output current

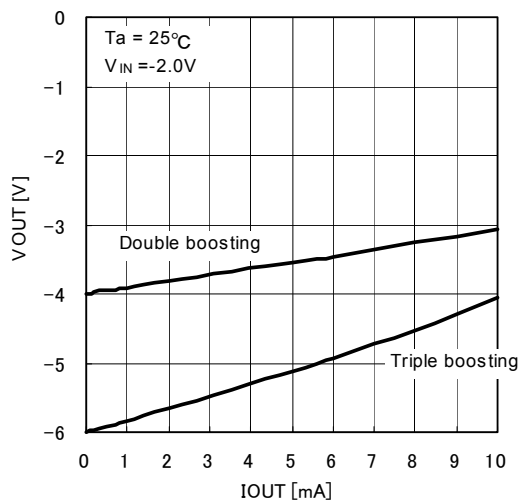


Fig.7.6 Output voltage - Output current

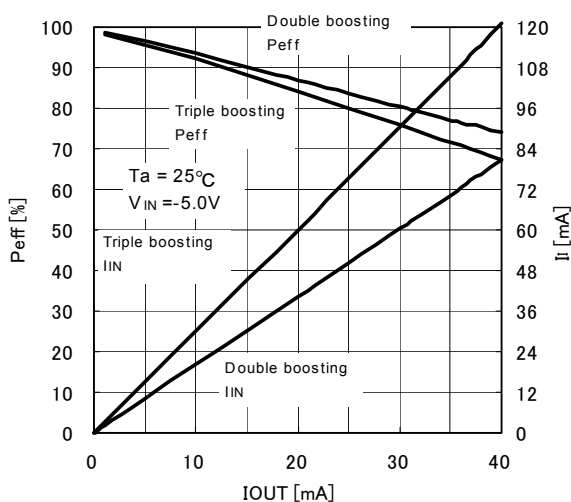


Fig.7.7 Power conversion efficiency - Output current  
Input current - Output current

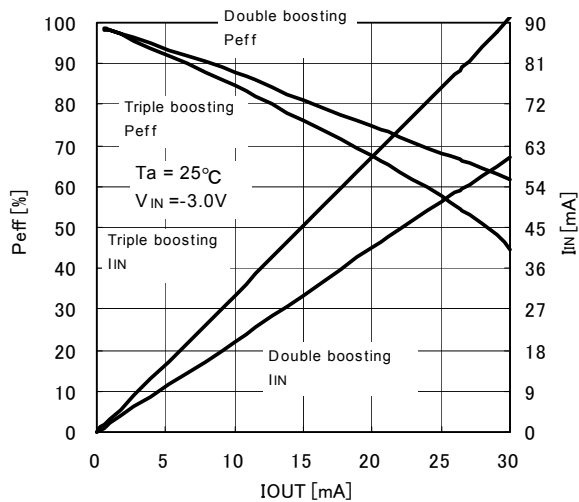


Fig.7.8 Power conversion efficiency - Output current  
Input current - Output current

## 7. CHARACTERISTIC DATA SHEETS

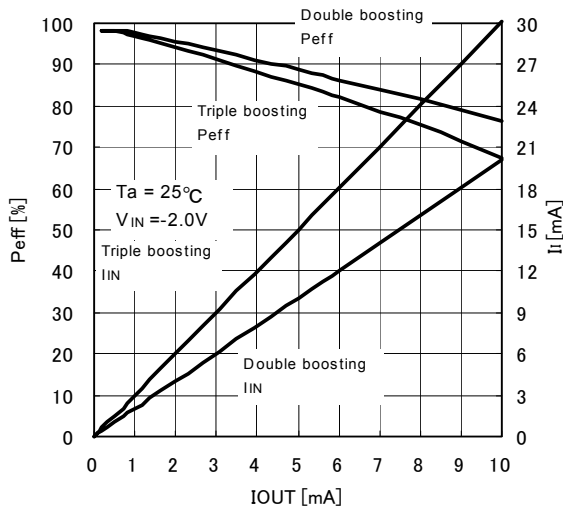


Fig.7.9 Power conversion efficiency -  
Output current  
Input current - Output current

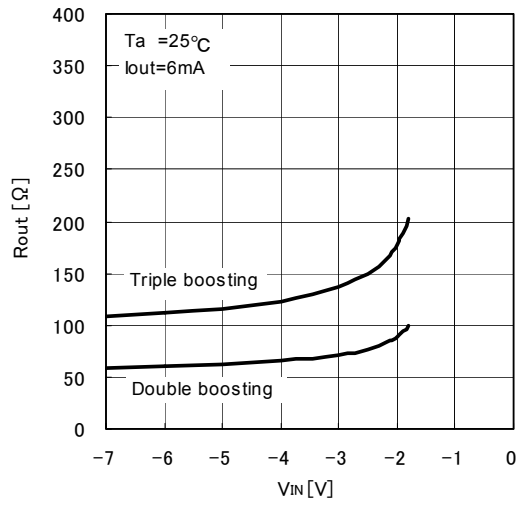


Fig.7.10 Output impedance - Input voltage

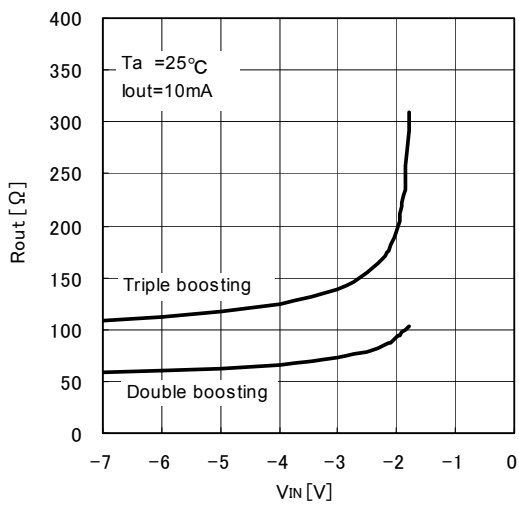


Fig.7.11 Output impedance - Input voltage

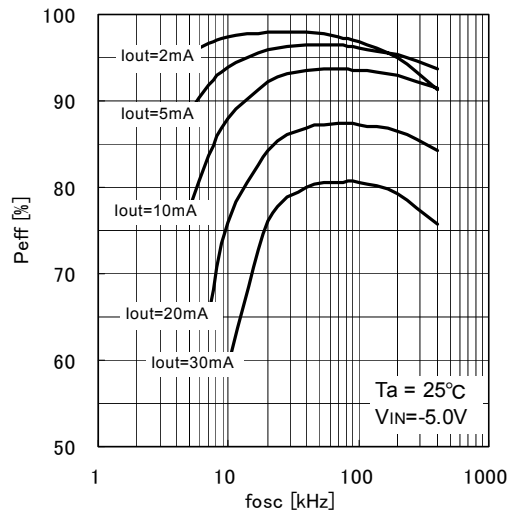


Fig.7.12 Power conversion efficiency -  
Oscillation frequency

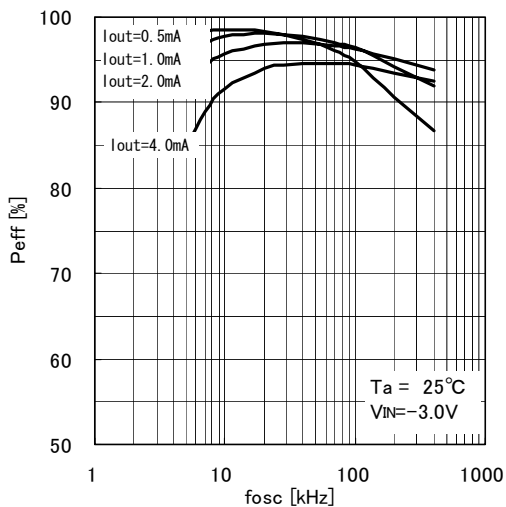


Fig.7.13 Power conversion efficiency - Oscillation frequency

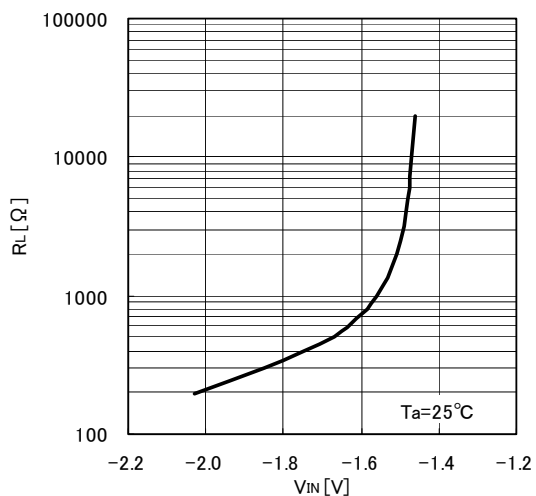


Fig.7.14 Minimum load resistance - Input voltage

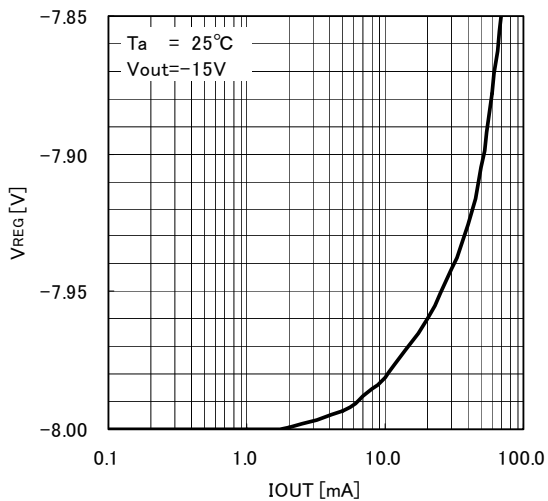


Fig.7.15 Output voltage - Output current

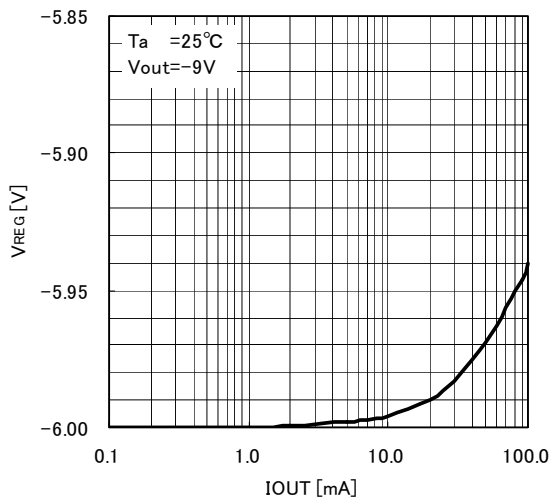


Fig.7.16 Output voltage - Output current

## 7. CHARACTERISTIC DATA SHEETS

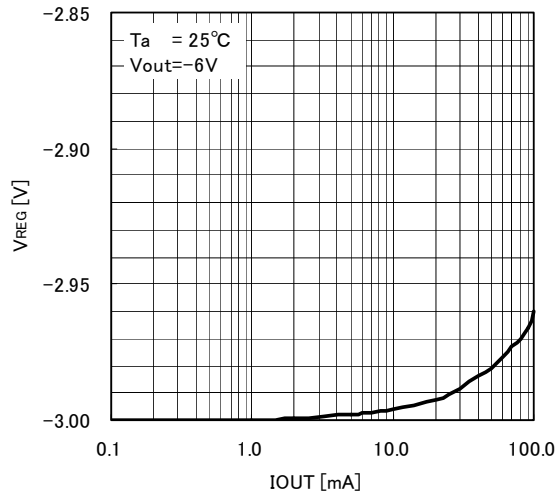


Fig.7.17 Output voltage - Output voltage

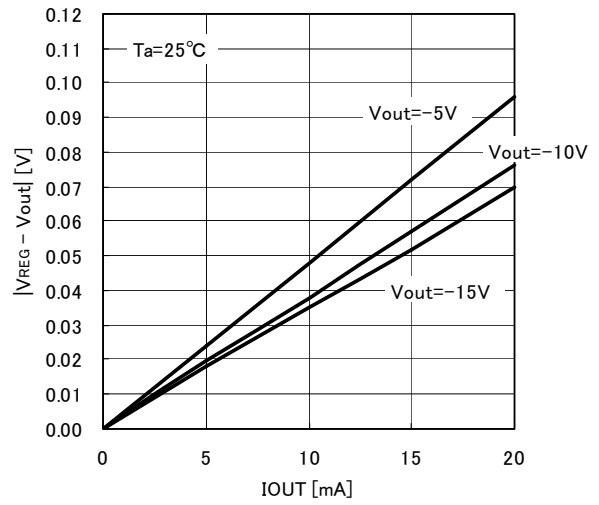


Fig.7.18 Stabilization output saturated resistance - Output current

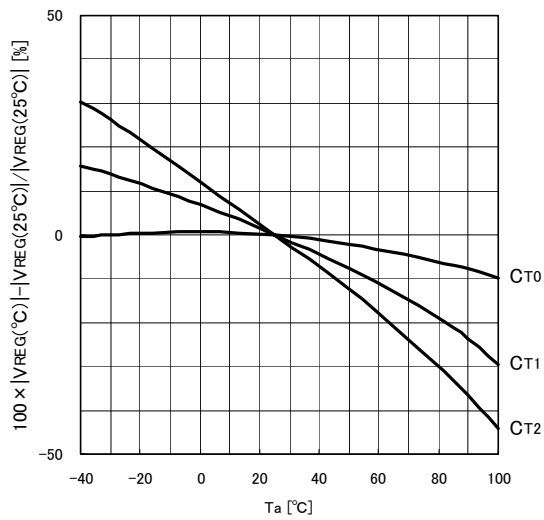


Fig.7.19 Output voltage - Temperature

## 8. APPLIED-CIRCUIT EXAMPLES

## (1) Double boosting and Triple boosting

Fig.8.1 shows a connection example for obtaining the triple boosting output for input voltage by running only the booster. For double boosting, remove capacitor C2 and short between the CAP2- (No.5) and VO (No.9) pins; double boosting (-10V) is obtained from VO (CAP2-).

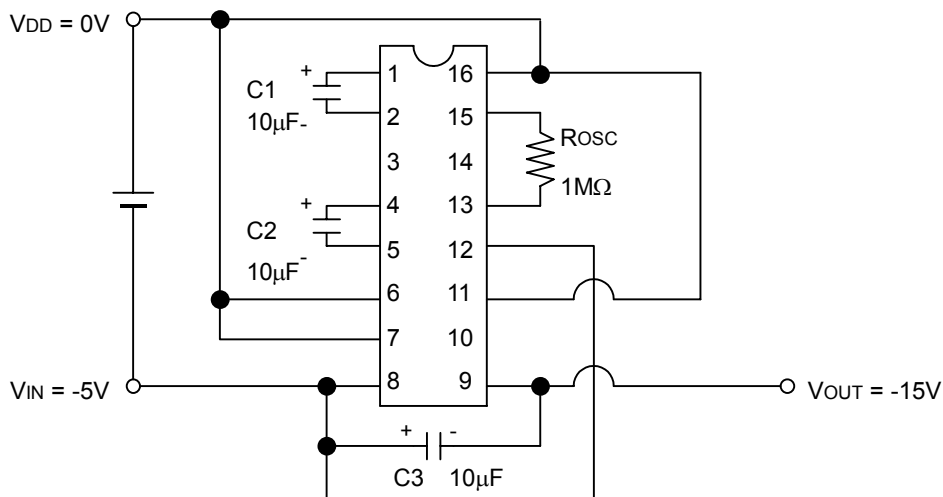


Fig.8.1 Triple boosting

## 8. APPLIED-CIRCUIT EXAMPLES

### (2) Triple boosting + Stabilizer

1) Fig.8.1 shows an applied-circuit example for stabilizing the boosting output obtained by double boosting and triple boosting through the stabilizer and providing the temperature gradient to the VREG output through the temperature gradient selection circuit. This applied-circuit example can indicate two outputs from VO and VREG at the same time. Using the double boosting described in item (1) “Double Boosting and triple Boosting” enables double boosting + stabilizer.

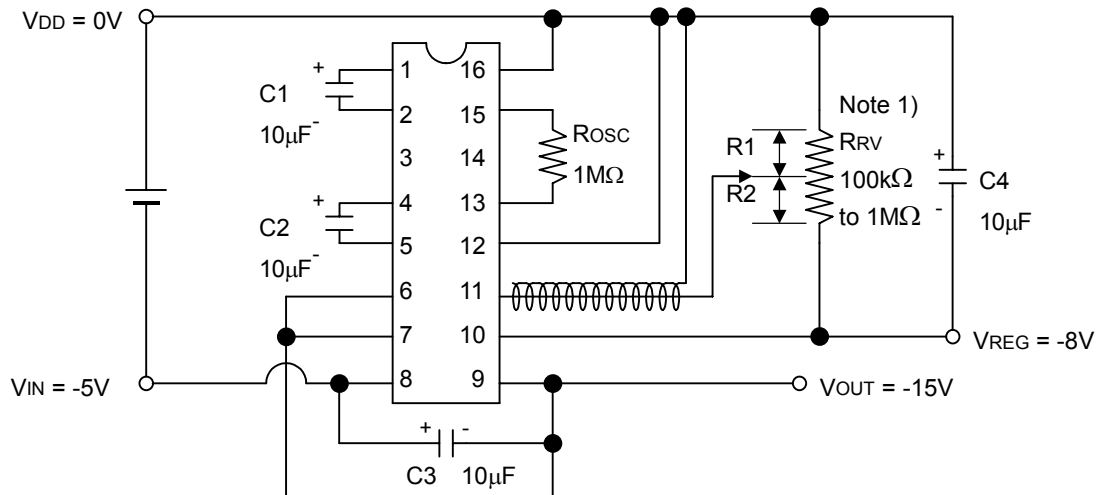


Fig.8.2 Triple boosting + Stabilizer operation (Temperature gradient =  $-0.3\%/^{\circ}\text{C}$ )

Note 1) The RV pin (No.11) has high input impedance. If the wire is long, use a shield wire to prevent a noise.

To reduce the influence by a noise, lower the RRV value. (However, the RRV current consumption will increase.)

Note 2) The VREG output voltage must be within  $|V_O| - |V_{REG}| \leq 10\text{V}$ .

The set voltage is obtained from the following formula:

$$V_{REG} = \frac{R_{RV}}{R_1} \times V_{RV}$$

(3) Parallel connection

As shown in Fig.8.3, multi-connection reduces output impedance  $R_o$ . Therefore, a configuration of  $n$  parallel connections lowers  $R_o$  to  $1/n$ . Smoothing capacitor  $C3$ , which is a single device, is shared by those connections.

To obtain stabilization output after parallel connections, apply the connection shown in Fig.8.2 to only one of the  $n$  parallel connections shown in Fig.8.3.

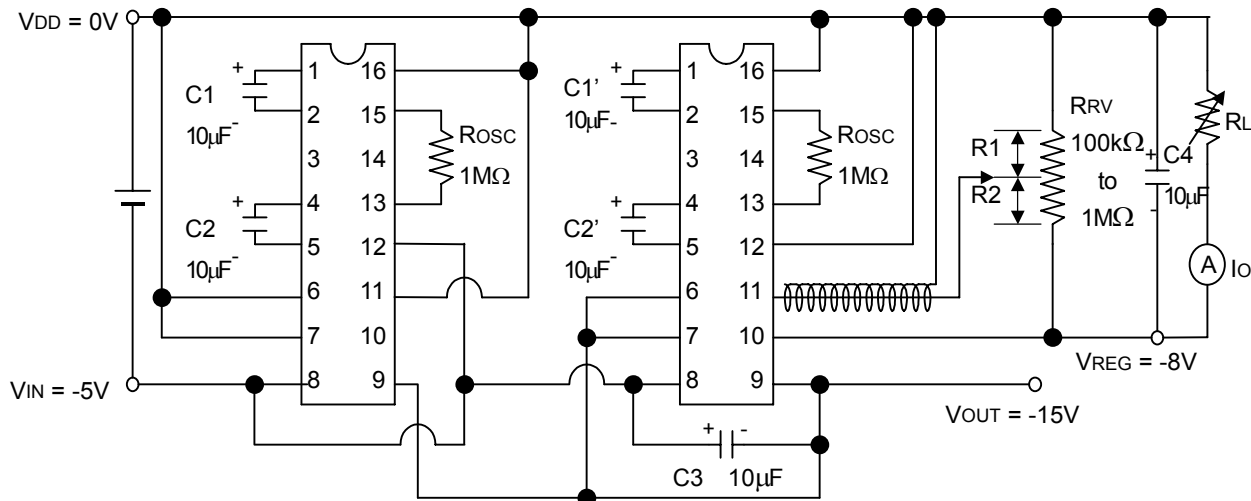


Fig.8.3 Parallel connection

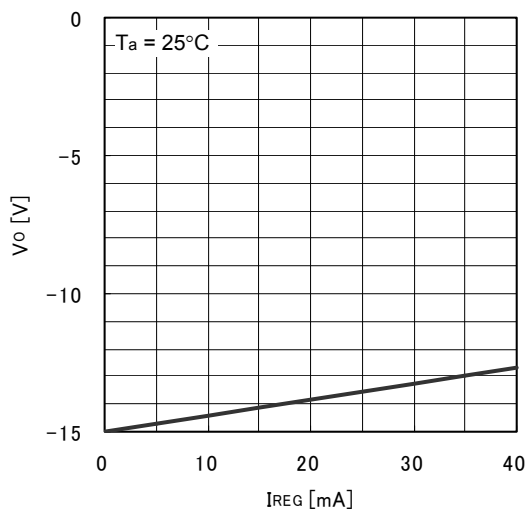


Fig.8.4 Output voltage - Output current

## 8. APPLIED-CIRCUIT EXAMPLES

### (4) Serial connection

The serial connection in the S1F76610 (connecting  $V_{IN}$  and  $V_{OUT}$  in the pre-stage to  $V_{DD}$  and  $V_{IN}$  in the next stage respectively) further increases output voltage. However, the serial connection raises output impedance. Fig.8.5 shows a serial connection example for obtaining  $V_{OUT} = -20V$  from  $V_{IN} = -5V$  to stabilize output voltage.

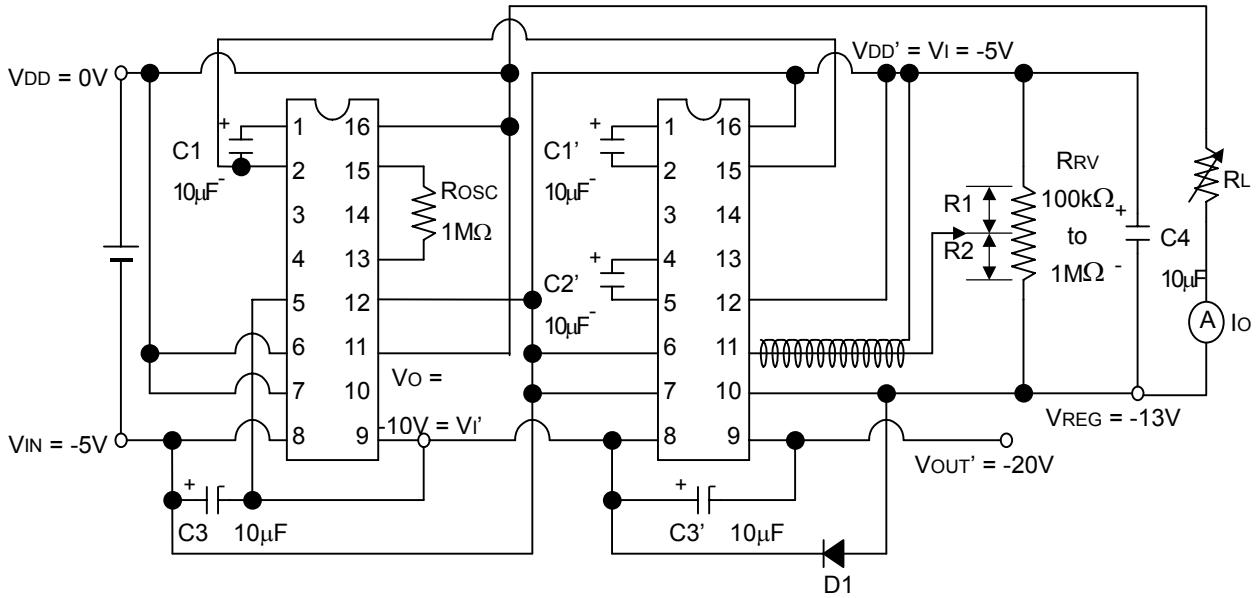


Fig.8.5 Serial connection

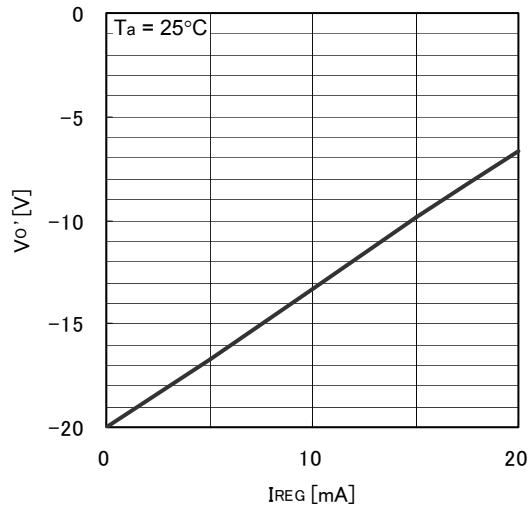


Fig.8.6 Output voltage - Output current



Note 1) <Notes on load connection>

As shown in Fig.8.5, when connecting load between VDD (or other voltage above VDD') and VREG in serial connection, take care of the following points:

When the IC is activated or no normal output is generated at the VREG pin like VREG by the XPOFF signal, current is supplied from VDD (or other voltage above VDD') to the VREG pin through the load. If the voltage exceeds the absolute maximum rating above VDD' at the VREG pin, the IC may fail normal operation. For serial connection, as shown in Fig.8.5, connect diode D1 between VI' and VREG so that the voltage above VDD' is not applied to the VREG pin.

Note 2) In Fig.8.5, the first stage is assigned to double boosting and the next-stage to triple boosting; however, triple boosting is available for both the first and next stages unless the input voltage VDD' - VI' in the next stage exceeds the standard value (6V). For serial connection, each IC must be designed in conformity with the standard (VDD - VI ≤ 6V, VDD - VO ≤ 18V). (See Fig.8.7.)

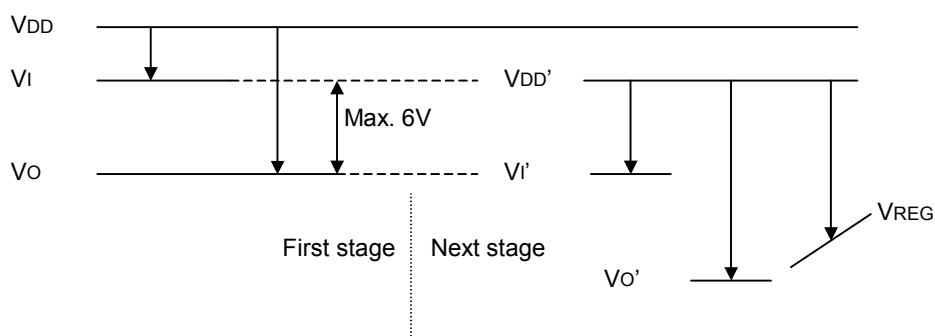


Fig.8.7 Power system in serial connection

Note 3) When double boosting is provided in the first stage, the first-stage CAP1- output can be used as a next-stage clock; however, when triple boosting is provided, it cannot be used as a next-stage clock. Therefore, to obtain a next-stage clock, mount ROSC in the external side and use an internal oscillator. As shown in Table 5.1, the next-stage external clock operation by the pre-stage CAP1- output is available only for temperature gradient CT = -0.5%/°C. If another temperature gradient is required, use an internal oscillator like the above.

Note 4) In serial connection, the temperature gradient is provided to the VDD - VREG voltage (VDD' - VREG in Fig.8.7) of the IC in which the stabilizer is active. The VREG value changes depending on the temperature as follows:

$$V_{REG} = \frac{\Delta |V_{REG}|}{\Delta T} = C_T (V_{DD'} - V_{REG})(25^\circ\text{C} )$$

## 8. APPLIED-CIRCUIT EXAMPLES

### (5) Positive-voltage exchange

The S1F76610 converts input voltage to positive voltage for double boosting or triple boosting through the circuit shown in Fig.8.8. (For double boosting, remove capacitor C2 and short both ends of D3.)

However, output voltage  $V_O$  lowers by forward voltage  $V_F$  of the diode. For example, as shown in Fig.8.8,  $V_{DD} = 0V$ ;  $V_I = -5V$ ; and  $V_F = 0.6V$  results in  $V_O = 10V - 3 \times 0.6V = 8.2V$  ( $5V - 2 \times 0.6V = 3.8V$  for double boosting).

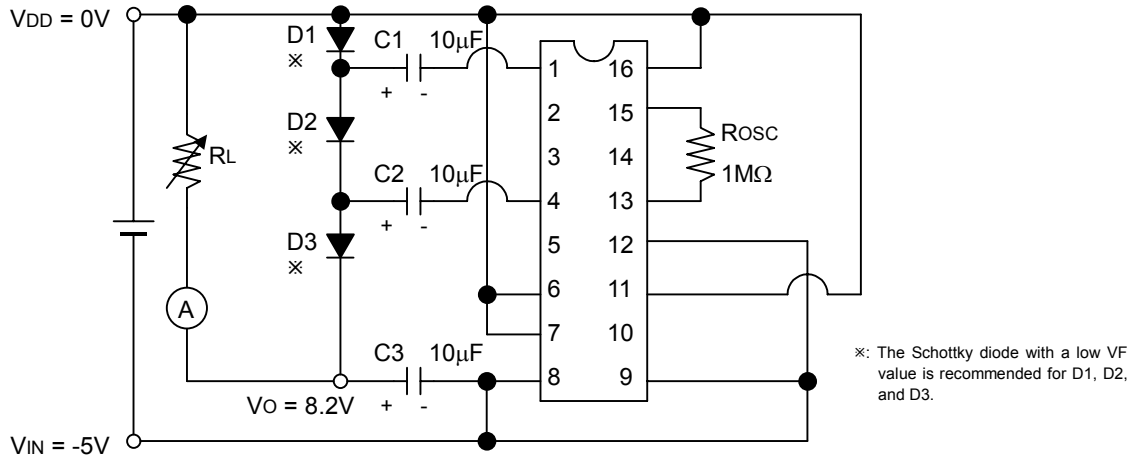


Fig.8.8 Positive-voltage conversion

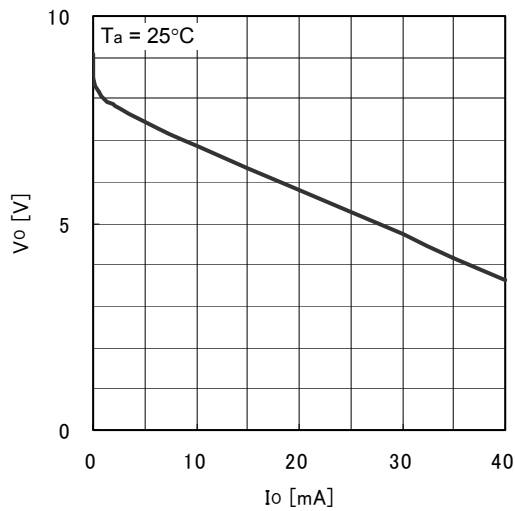


Fig.8.9 Output voltage - Output current

(6) Negative-voltage conversion + Positive-voltage conversion

Combining the triple boosting (Fig.8.1) with the positive voltage conversion (Fig.8.8) generates the circuit shown in Fig.8.9, and outputs -15V and +8.2V from -5V input.

In this case, the output impedance is higher than that for negative voltage conversion only or positive voltage conversion only.

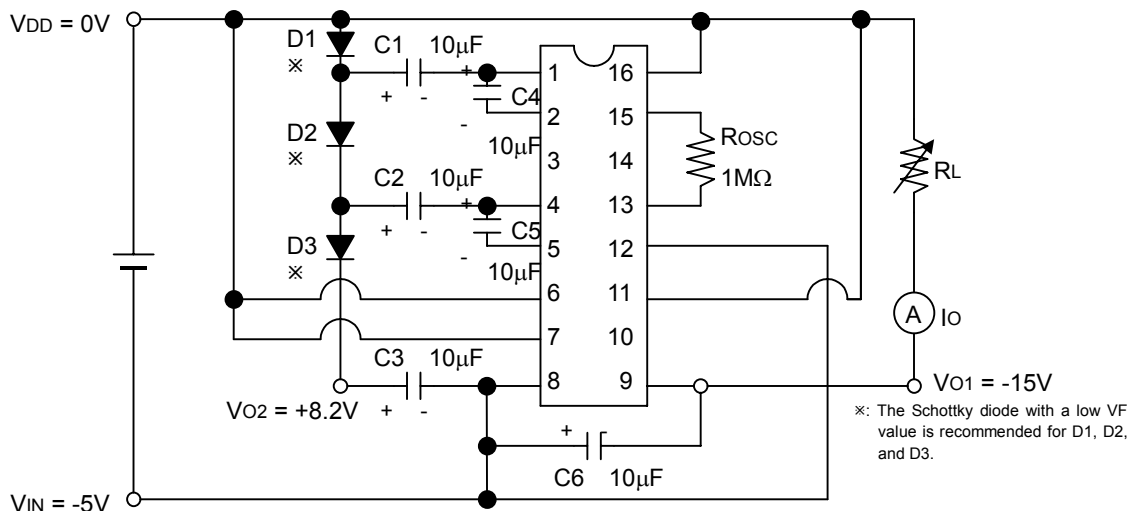


Fig.8.9 Negative-voltage conversion + Positive-voltage conversion

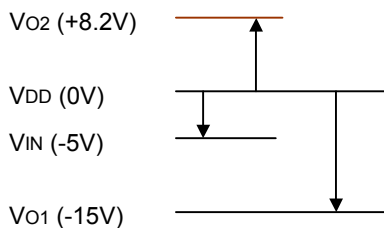


Fig.8.10 Voltage relations at VDD = 0V and VIN = -5V

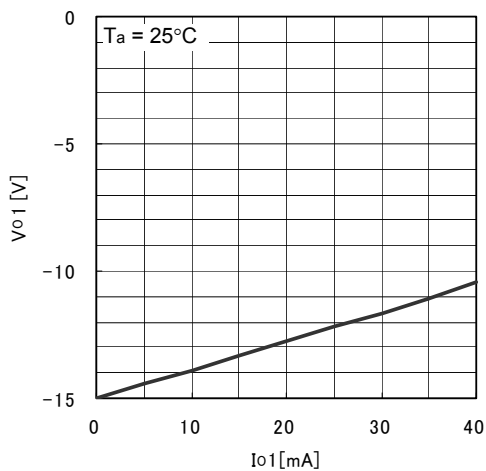


Fig.8.11 Output voltage - Output current

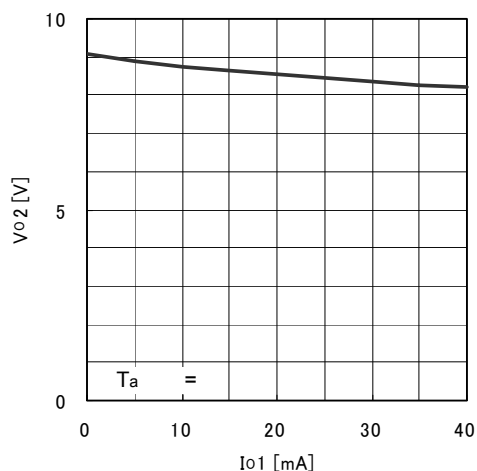


Fig.8.12 Output voltage - Output current

## 8. APPLIED-CIRCUIT EXAMPLES

(7) Example of changing the temperature gradient with an external temperature sensor (thermistor)

The S1F76610, which is equipped with the temperature gradient selection circuit in the stabilizer, enables you to select three types of temperature gradients (-0.05%/°C, -0.3%/°C, and -0.5%/°C as VREG output. If the other temperature gradient is required, as shown in Fig.8.13, connect a thermistor to resistor RRV (for output voltage adjustment) in series; you can change the temperature gradient to any value.

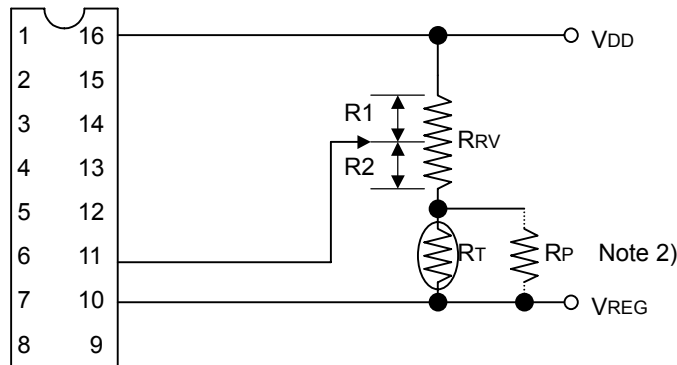


Fig.8.13 Temperature gradient change example

For a connection other than pins 10, 11, and 16, follow Fig.8.2. For pins 6 and 7, select a lower temperature gradient than the one to be changed from Table 5.1.

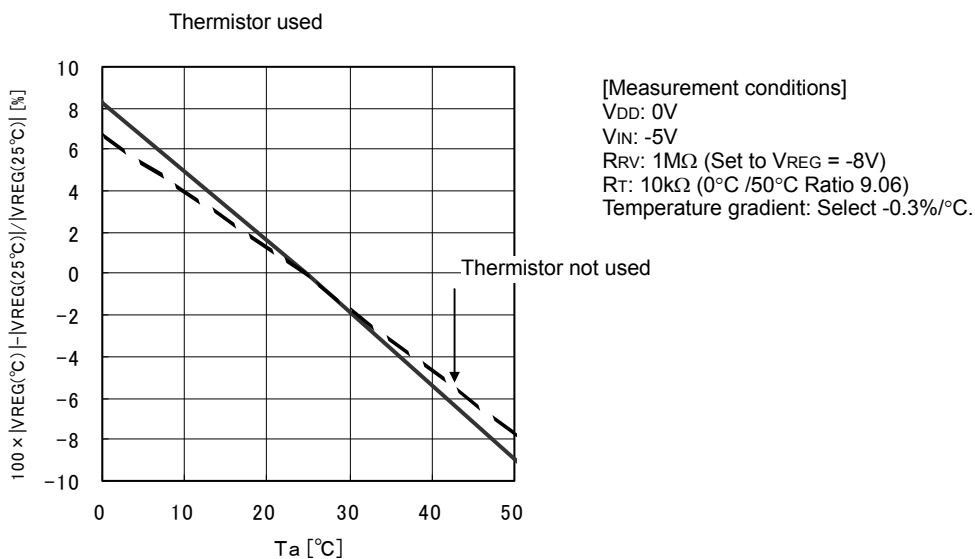


Fig.8.14 Output voltage - Temperature

Note 1) The relation between RT and VREG is indicated as follows:

$$V_{DD} - V_{REG} = \frac{R_{RV} + R_T}{R_1} \times (V_{DD} - V_{RV})$$

Using a thermistor as RT increases the temperature gradient for VDD - VREG.

Note 2) The temperature characteristics of the thermistor indicate the nonlinearity; however, connecting resistor RP to the thermistor in parallel changes nonlinear characteristics to linear characteristics.

### AMERICA

#### EPSON ELECTRONICS AMERICA, INC.

##### HEADQUARTERS

2580 Orchard Parkway  
San Jose , CA 95131, USA  
Phone: +1-800-228-3964      FAX: +1-408-922-0238

##### SALES OFFICES

###### Northeast

301 Edgewater Place, Suite 210  
Wakefield, MA 01880, U.S.A.  
Phone: +1-800-922-7667      FAX: +1-781-246-5443

### EUROPE

#### EPSON EUROPE ELECTRONICS GmbH

##### HEADQUARTERS

Riesstrasse 15  
80992 Munich, GERMANY  
Phone: +49-89-14005-0      FAX: +49-89-14005-110

### ASIA

#### EPSON (CHINA) CO., LTD.

23F, Beijing Silver Tower 2# North RD DongSanHuan  
ChaoYang District, Beijing, CHINA  
Phone: +86-10-6410-6655      FAX: +86-10-6410-7320

##### SHANGHAI BRANCH

7F, High-Tech Bldg., 900, Yishan Road,  
Shanghai 200233, CHINA  
Phone: +86-21-5423-5522      FAX: +86-21-5423-5512

#### EPSON HONG KONG LTD.

20/F., Harbour Centre, 25 Harbour Road  
Wanchai, Hong Kong  
Phone: +852-2585-4600      FAX: +852-2827-4346  
Telex: 65542 EPSCO HX

#### EPSON Electronic Technology Development (Shenzhen) LTD.

12/F, Dawning Mansion, Keji South 12th Road,  
Hi- Tech Park, Shenzhen  
Phone: +86-755-2699-3828      FAX: +86-755-2699-3838

#### EPSON TAIWAN TECHNOLOGY & TRADING LTD.

14F, No. 7, Song Ren Road,  
Taipei 110  
Phone: +886-2-8786-6688      FAX: +886-2-8786-6660

#### EPSON SINGAPORE PTE., LTD.

1 HarbourFront Place,  
#03-02 HarbourFront Tower One, Singapore 098633  
Phone: +65-6586-5500      FAX: +65-6271-3182

#### SEIKO EPSON CORPORATION

##### KOREA OFFICE

50F, KLI 63 Bldg., 60 Yoido-dong  
Youngdeungpo-Ku, Seoul, 150-763, KOREA  
Phone: +82-2-784-6027      FAX: +82-2-767-3677

##### GUMI OFFICE

2F, Grand B/D, 457-4 Songjeong-dong,  
Gumi-City, KOREA  
Phone: +82-54-454-6027      FAX: +82-54-454-6093

---

#### SEIKO EPSON CORPORATION

##### SEMICONDUCTOR OPERATIONS DIVISION

##### IC Sales Dept.

##### IC International Sales Group

421-8, Hino, Hino-shi, Tokyo 191-8501, JAPAN  
Phone: +81-42-587-5814      FAX: +81-42-587-5117