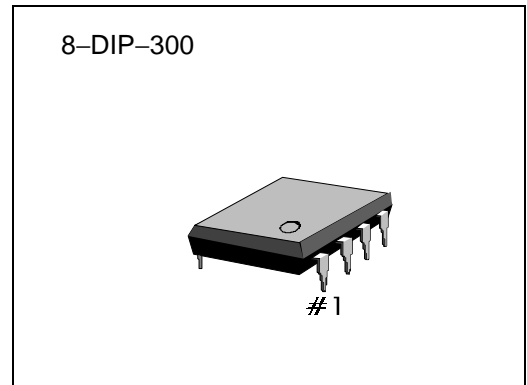


INTRODUCTION

The S1T2410B01/B02 is a bipolar integrated circuit designed as a telephone bell replacement.

FUNCTIONS

- Two oscillators
- Output amplifier
- Power supply control circuit



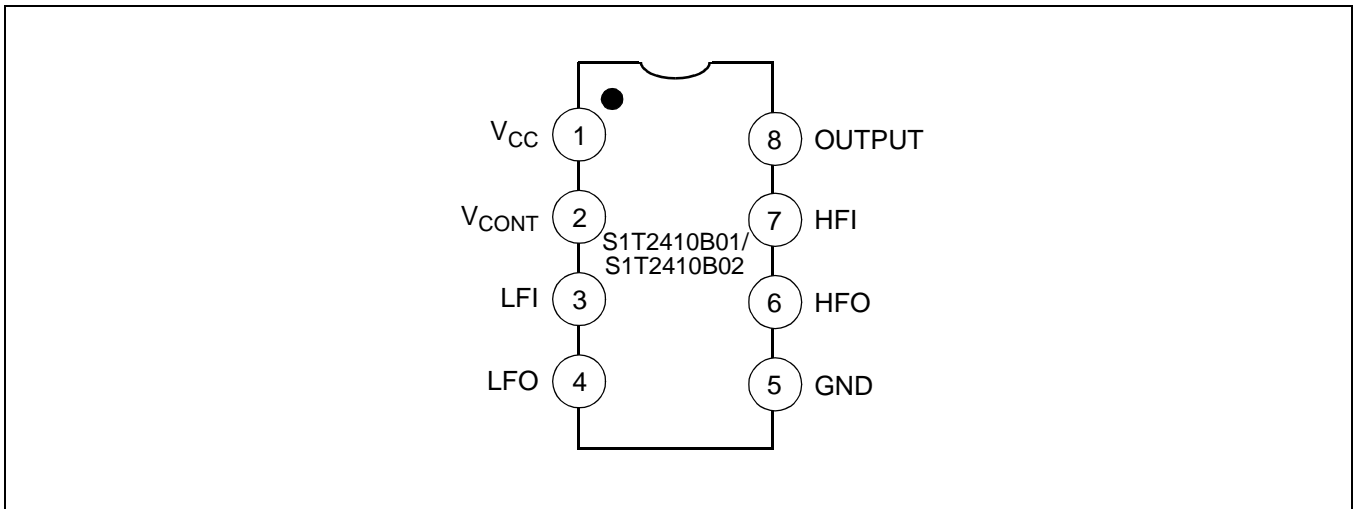
FEATURES

- Designed for telephone bell replacement
- Low drain current
- Small size MINIDIP package
- Adjustable 2-frequency tone
- Adjustable warbling rate
- Built-in hysteresis prevents false triggering and rotary dial 'CHIRPS'
- Extension tone ringer modules
- Alarms or other alerting devices
- External triggering or ringer disable (S1T2410B01)
- Adjustable for reduced initial supply current (S1T2410B02)

ORDERING INFORMATION

Device	Package	Operating Temperature
S1T2410B01-D0B0	8-DIP-300	-45°C to +65°C
S1T2410B02-D0B0		

PIN CONFIGURATION



ABSOLUTE MAXIMUM RATINGS

Characteristic	Symbol	Value	Unit
Supply Voltage	V _{CC}	30	V
Power Dissipation	P _D	400	mW
Operating Temperature	T _{OPR}	- 45 to +65	°C
Storage Temperature	T _{STG}	-65 to +150	°C

ELECTRICAL CHARACTERISTICS (Ta = 25°C)

(All voltage referenced to GND unless otherwise specified)

Characteristic	Symbol	Test Conditions	Min.	Typ.	Max.	Unit
Operating Voltage	V_{CC}	–	–	–	29.0	V
Initiation Voltage ¹	V_{SI}	See Fig. 1	17	19	21	V
Initiation Current ¹	I_{SI}	S1T2410B02 -6.8K-Pin 2 to GND	1.4	2.5	4.2	mA
Sustaining Voltage ²	V_{SUS}	See Fig. 1	9.7	11.0	12.0	V
Sustaining Current ²	I_{SUS}	No Load $V_{CC} = V_{SUS}$, See Fig. 1	0.7	1.4	2.5	mA
Trigger Voltage ³	V_{TRG}	S1T2410B01 Only $V_{CC} = 15V$	9.0	10.5	12.0	V
Trigger Current ³	I_{TRG}	S1T2410B01 Only	10.0	20.0	1000 ⁵	μA
Disable Voltage ⁴	V_{DIS}	S1T2410B01 Only	–	–	0.8	V
Disable Current ⁴	I_{DIS}	S1T2410B01 Only	–40	–50	–	μA
Output Voltage High	V_{OH}	$V_{CC} = 21V$, $I_B = -15mA$ Pin 6 = 6V, Pin 7 = GND	17.0	19.0	21.0	V
Output Voltage Low	V_{OL}	$V_{CC} = 21V$, $I_B = 15mA$ Pin 6 = GND, Pin 7 = 6V	–	–	1.6	V
Input Current 1 (Pin 3)	$I_{I(PIN 3)}$	Pin 3 = 6V, Pin 4 = GND	–	–	500	nA
Input Current 2 (Pin 7)	$I_{I(PIN 7)}$	Pin 7 = 6V, Pin 6 = GND	–	–	500	nA
High Frequency 1	f_{H1}	$R_3 = 191K$, $C_3 = 6800pF$	461	512	563	Hz
High Frequency 2	f_{H2}	$R_3 = 191K$, $C_3 = 6800pF$	576	640	704	Hz
Low Frequency	f_L	$R_2 = 165K$, $C_2 = 0.47\mu F$	9.0	10	11.0	Hz

NOTES: (see electrical characteristics sheet)

1. Initial supply voltage (V_{SI}) is the supply voltage required to start tone ringer oscillation
2. Sustaining voltage (V_{SUS}) is the supply voltage required to maintain oscillation.
3. V_{TR} and I_{TR} are the conditions applied to trigger to start oscillation for $V_{SUS} \leq V_{CC} \leq V_{SI}$
4. V_{DIS} and I_{DIS} are the conditions applied to trigger to inhibit oscillation for $V_{SI} \leq V_{CC}$
5. Trigger current must be limited to this value externally.

CHARACTERISTIC CURVE

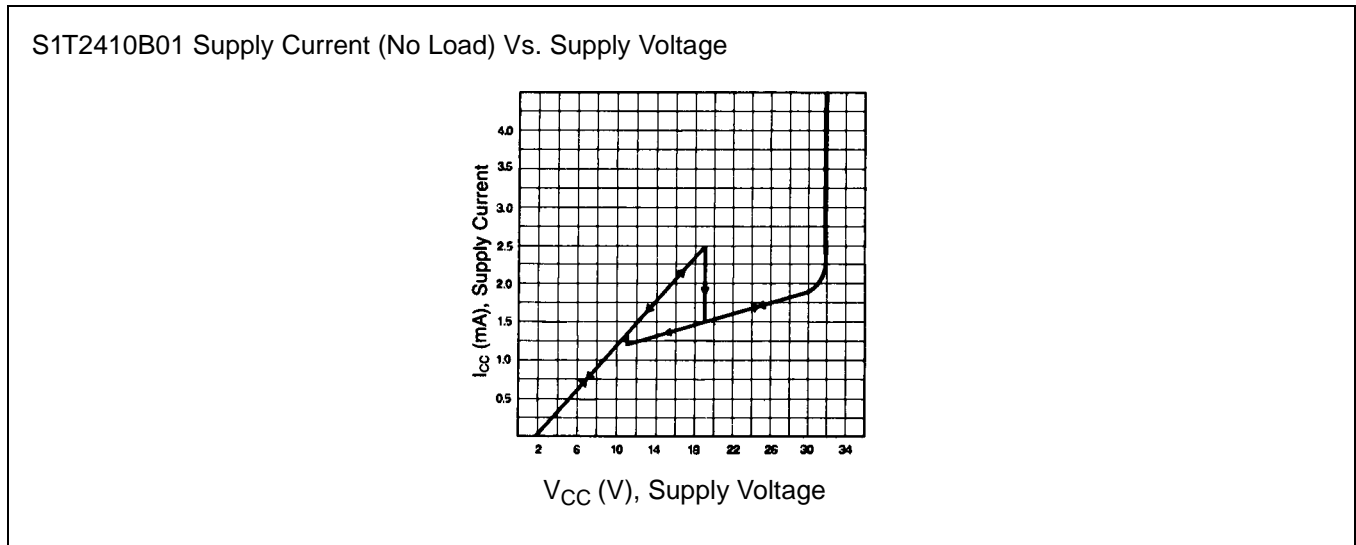


Figure 1.

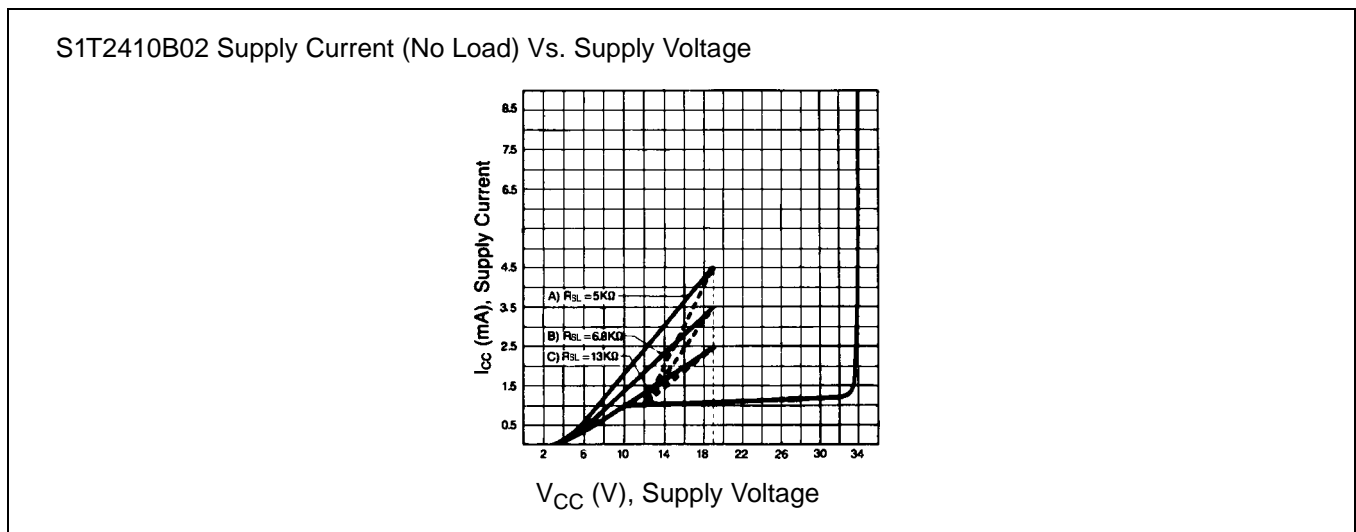


Figure 2.

APPLICATION INFORMATION

The application circuit illustrates the use of the S1T2410B01/B02 devices in typical telephone or extensive tone ringer applications.

The AC ringer signal voltage appears across the TIP and RING inputs of the circuit, and is attenuated by capacitor C_1 and resistor R_1 .

(C_1 also provides isolation from DC voltages (48V) on the exchange line).

After full wave rectification by the bridge diode, the wave form is filtered by capacitor C_4 to provide a DC supply for the tone ringer chip.

When this voltage exceeds the initiation (V_{SI}), oscillation starts.

With the components shown, the output frequency chops between 512 Hz (f_{H1}) and 640Hz (f_{H2}) at a 10Hz (f_L) rate.

The loudspeaker load is coupled through a 1300 Ω to 8 Ω transformer.

The output coupling capacitor C_5 with transformer coupled loads is required.

When driving a piezo-ceramic transducer type load, the coupling C_5 and transformer (1300 Ω :8 Ω) are not required. However, a current limiting resistor is required.

The low frequency oscillator oscillates at a rate (f_L) controlled by an external resistor (R_2) and capacitor (C_2). The frequency can be determined using the function $f_L = 1/(1.289 R_2 \cdot C_2)$. The high frequency oscillates at a f_{H1} , f_{H2} controlled by an external resistor (R_3) and capacitor (C_3). The frequency can be determined using the function $f_{H1} = 1/(1.504 R_3 \cdot C_3)$. Voltage remains constant independent of R_{SL} .

Pin 2 of the S1T2410B02 allows connection of an external resistor R_{SL} , which is used to program the slope of the supply current vs supply voltage characteristics (see Fig. 2) and hence the supply current up to the initial voltage (V_{SI}). This initial voltage remains constant independent of R_{SL} .

The supply current drawn prior to triggering is inversely proportional with R_{SL} , decreasing for an increasing value of resistance.

Thus, increasing the value of R_{SL} , will decrease the amount of AC ringing current required to trigger the device. Longer subscriber loops are possible since less voltage is dropped per unit length of loop wire due to the lower current level. R_{SL} can also be used to compensate for smaller AC coupling capacitors (C_5 on Fig. 3) (higher impedance) to the line which is used to alter the ringer equivalence number of a tone ringer circuit.

The graph in Fig. 2 illustrates the variation of supply current with supply voltage of the S1T2410B02. Three curves are drawn to show the variation of the initiation current with R_{SL} . Curve B ($R_{SL} = 6.8k\Omega$) shows the I-V characteristic for the S1T2410B02 tone ringer. Curve A is a plot with $R_{SL} < 6.8k\Omega$ and shows an increase in the current drawn up to the initiation voltage V_{SI} . After initiation, the I-V characteristic remain unchanged. Curve C illustrates the effect of increasing R_{SL} above 6.8k Ω initiation current decreases, but is unchanged after triggering.

APPLICATION CIRCUIT 1 (S1T2410B01)

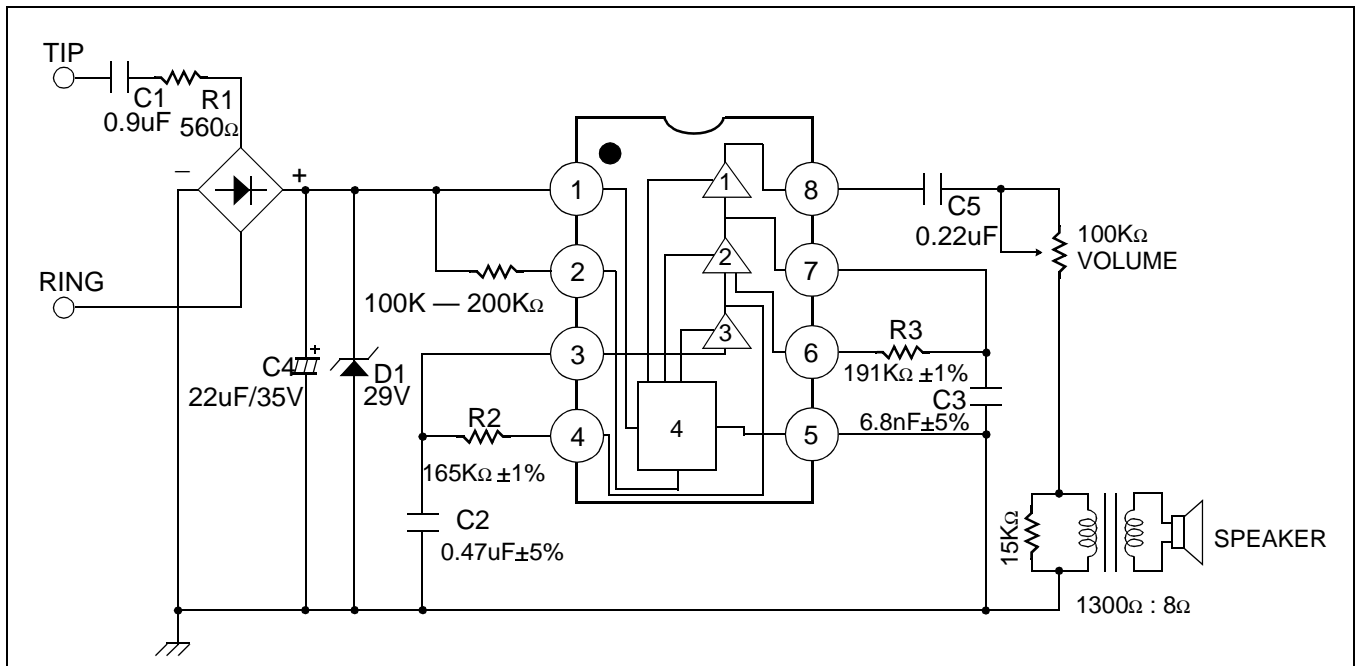


Figure 3. S1T2410B01 Application Circuit

APPLICATION CIRCUIT 2 (S1T2410B02)

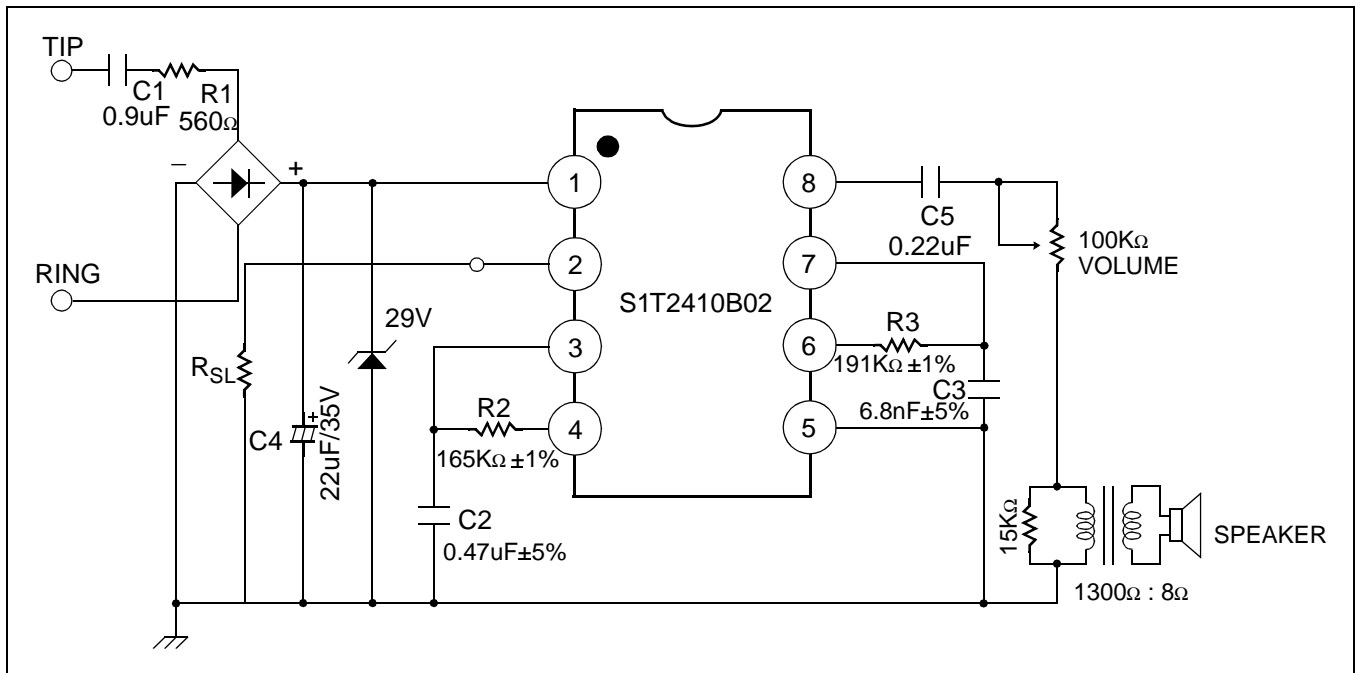


Figure 4. S1T2410B02 Application Circuit

EQUIVALENT CIRCUIT (Pin 2 Input)

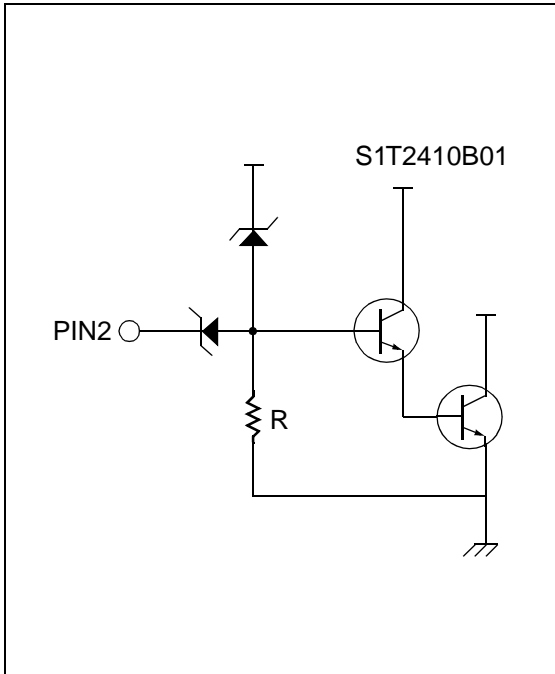


Figure 5.

INHIBITING OSCILLATION

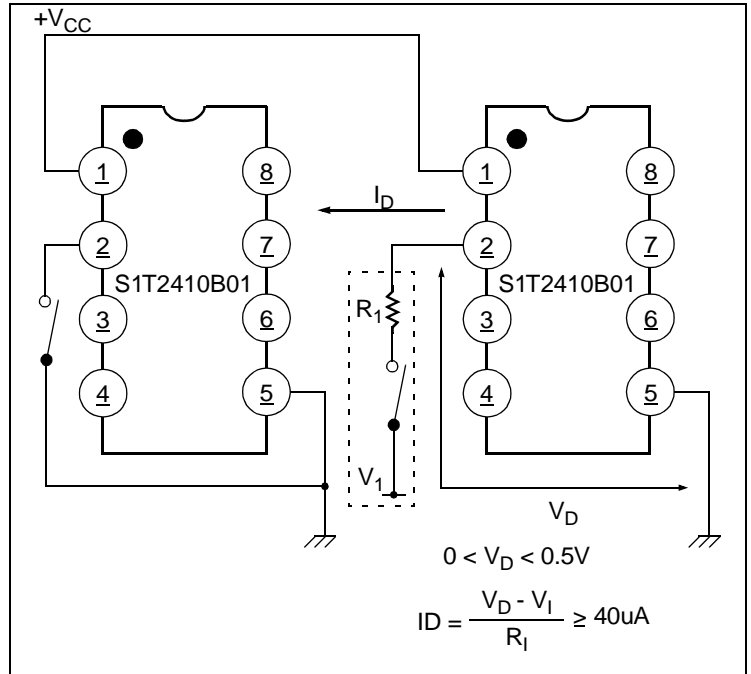


Figure 6.

Triggering The S1T2410B01 From CMOS or TTL Logic

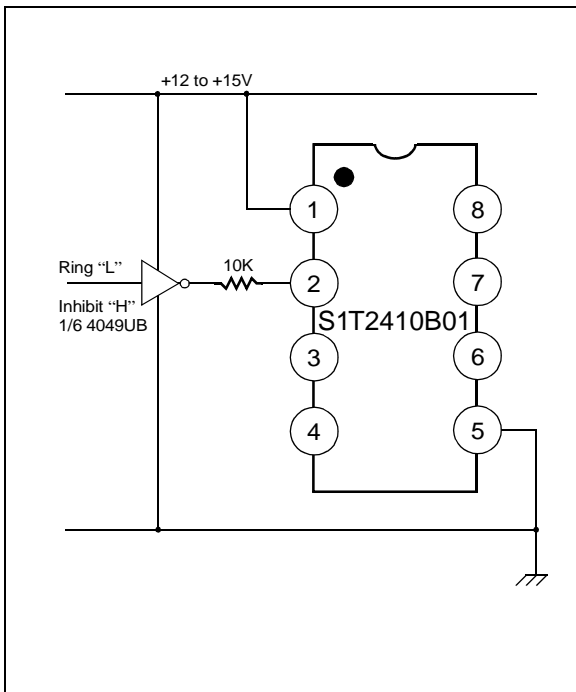


Figure 7.

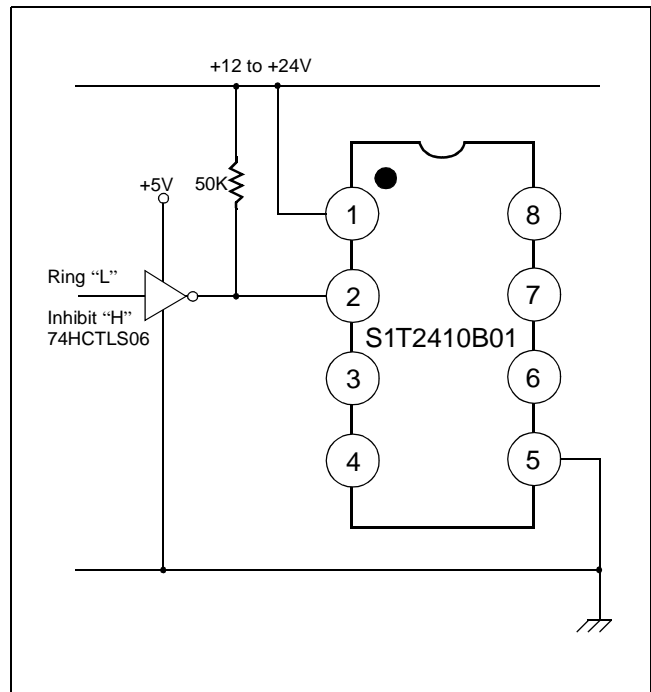


Figure 8.

PROGRAMMING THE S1T2410B01 INITIATION SUPPLY VOLTAGE

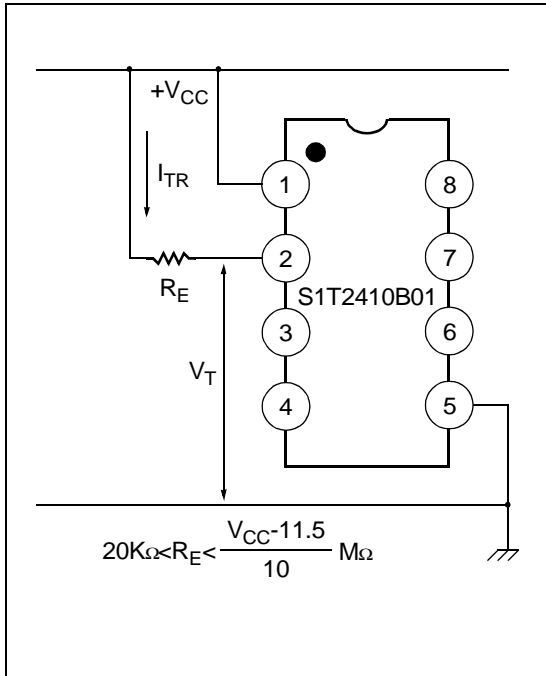


Figure 9.

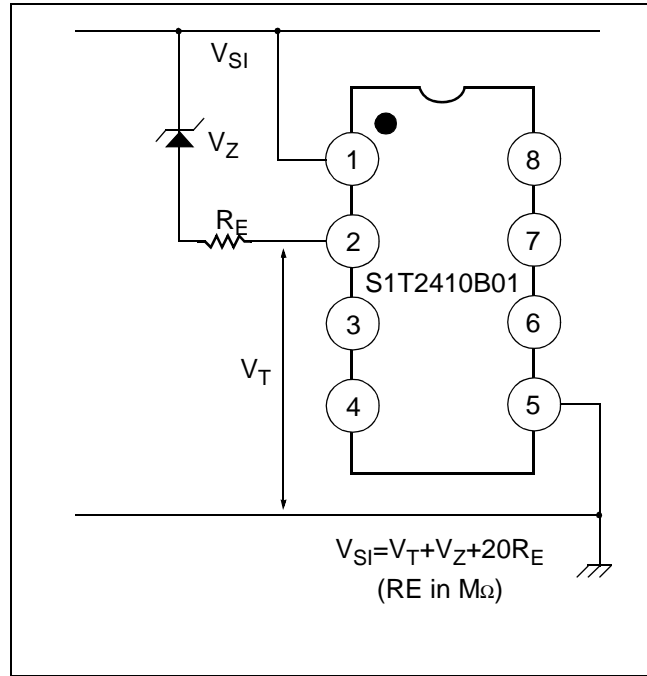


Figure 10.