

S2A ~ S2M

PRV : 50 - 1000 Volts

Io : 2.0 Ampere

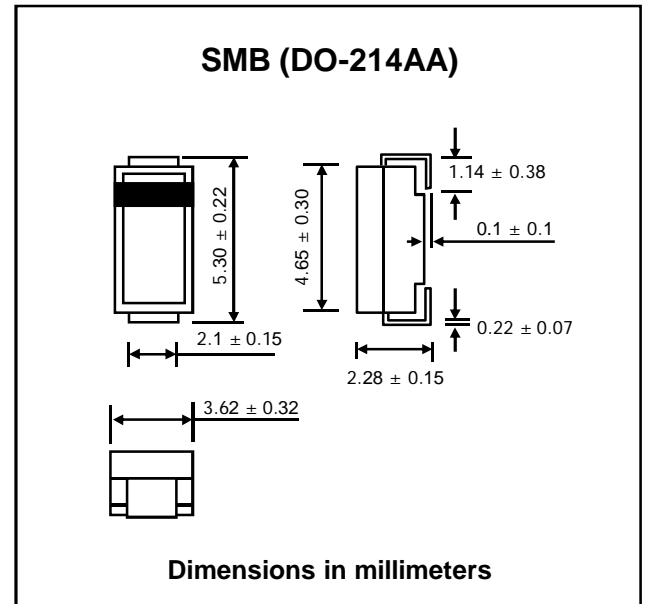
FEATURES :

- * High current capability
- * High surge current capability
- * High reliability
- * Low reverse current
- * Low forward voltage drop
- * Pb / RoHS Free

MECHANICAL DATA :

- * Case : SMB Molded plastic
- * Epoxy : UL94V-0 rate flame retardant
- * Lead : Lead Formed for Surface Mount
- * Polarity : Indicated by cathode band
- * Mounting position : Any
- * Weight : 0.093 gram

SURFACE MOUNT RECTIFIERS



MAXIMUM RATINGS AND ELECTRICAL CHARACTERISTICS

Rating at 25 °C ambient temperature unless otherwise specified.
Single phase, half wave, 60 Hz, resistive or inductive load.
For capacitive load, derate current by 20%.

RATING	SYMBOL	S2A	S2B	S2D	S2G	S2J	S2K	S2M	UNIT
Maximum Repetitive Peak Reverse Voltage	V_{RRM}	50	100	200	400	600	800	1000	V
Maximum RMS Voltage	V_{RMS}	35	70	140	280	420	560	700	V
Maximum DC Blocking Voltage	V_{DC}	50	100	200	400	600	800	1000	V
Maximum Average Forward Current at $T_L = 110\text{ °C}$	$I_{F(AV)}$	2.0							A
Peak Forward Surge Current 8.3ms Single half sine wave Superimposed on rated load (JEDEC Method) $T_L = 100\text{ °C}$	I_{FSM}	60							A
Maximum Instantaneous Forward Voltage at $I_F = 2.0\text{ A}$.	V_F	1.1							V
Maximum DC Reverse Current at rated DC Blocking Voltage	I_R	5.0							μA
	$I_{R(H)}$	200							μA
Typical thermal resistance	$R_{\theta JL}$	16							$^{\circ}\text{C/W}$
Typical Junction Capacitance (Note 1)	C_J	30							pF
Junction Temperature Range	T_J	- 55 to + 150							$^{\circ}\text{C}$
Storage Temperature Range	T_{STG}	- 55 to + 150							$^{\circ}\text{C}$

Notes :

- (1) Measured at 1.0 MHz and applied reverse voltage of 4.0 VDC

RATING AND CHARACTERISTIC CURVES (S2A - S2M)

FIG.1 - DERATING CURVE FOR OUTPUT RECTIFIED CURRENT

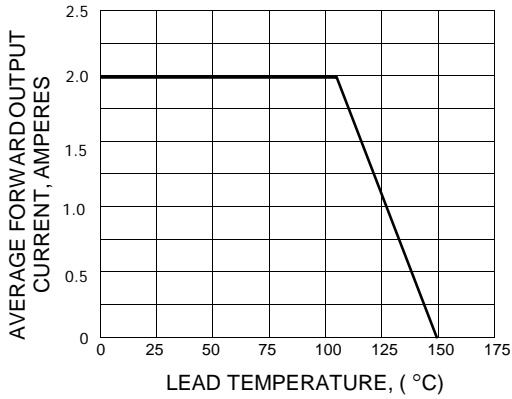


FIG.2 - MAXIMUM NON-REPETITIVE PEAK FORWARD SURGE CURRENT

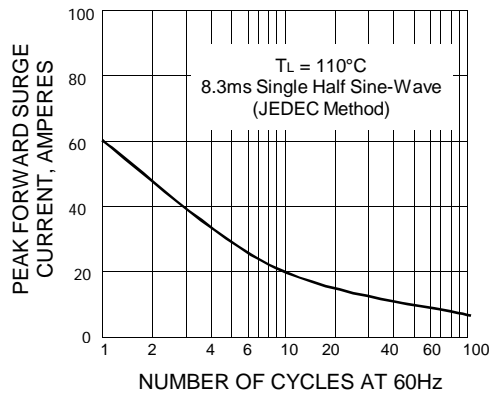


FIG.3 - TYPICAL FORWARD CHARACTERISTICS

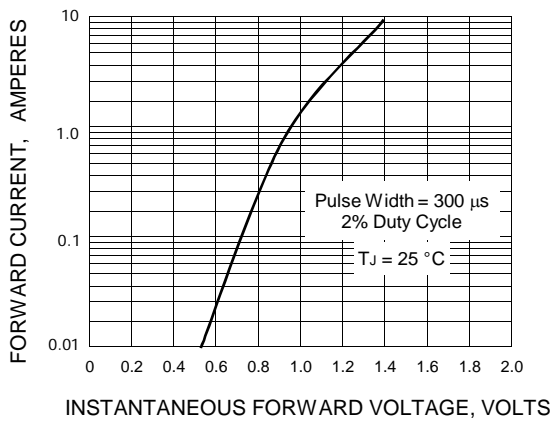


FIG.4 - TYPICAL REVERSE CHARACTERISTICS

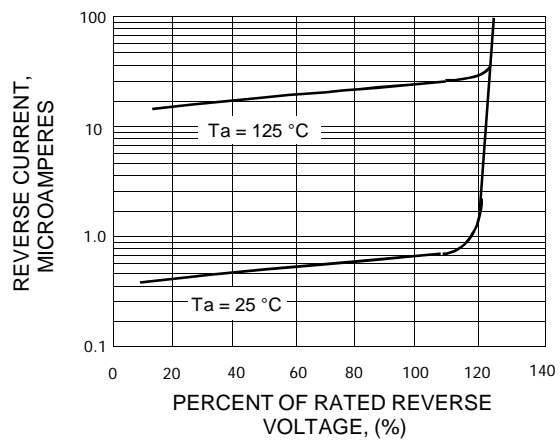


FIG. 5 – TYPICAL JUNCTION CAPACITANCE

