

# Surface Mount Rectifiers

## S2DA--S2MA

### Features

- For surface mounted applications
- Ideal for automated placement
- Low forward voltage drop
- High surge current capability
- RoHS Compliant



### Mechanical Data

- Case: SMA molded plastic
- Molding compound, UL flammability classification rating 94V-0
- Terminals: Solder plated, solderable per MIL-STD-202, Method 208
- Polarity: Color band denotes cathode end

### Maximum Ratings (@T<sub>A</sub> = 25°C unless otherwise specified)

Characteristic	Symbol	S2DA	S2GA	S2JA	S2KA	S2MA	Units
Peak repetitive reverse voltage	V <sub>RRM</sub>	200	400	600	800	1000	V
RMS reverse voltage	V <sub>RMS</sub>	140	280	420	560	700	V
DC blocking voltage	V <sub>DC</sub>	200	400	600	800	1000	V
Maximum average forward output current	I <sub>F(AV)</sub>	2.0					A
Peak forward surge current, 8.3ms single half-sine-wave	@T <sub>J</sub> = 25°C I <sub>FSM</sub>	50					A

### Thermal Characteristics

Parameter	Symbol	S2DA	S2GA	S2JA	S2KA	S2MA	Units
Typical thermal resistance (Note 1)	R <sub>θJA</sub>	70					°C /W
	R <sub>θJC</sub>	25					
	R <sub>θJL</sub>	30					
Operating junction temperature range	T <sub>J</sub>	- 55 ---- + 150					°C
Storage temperature range	T <sub>STG</sub>	- 55 ---- + 150					°C

Note:

1. Device mounted on PCB with 10 mm x 20 mm x 0.1mm copper pad areas

## Surface Mount Rectifiers

## S2DA--S2MA

### Electrical Characteristics (@T<sub>A</sub> = 25°C unless otherwise specified)

Parameter	Symbol	Test conditions		Typ.	Max.	Units
Maximum instantaneous forward voltage	V <sub>F</sub>	I <sub>F</sub> =2.0A		--	1.15	V
Maximum Reverse current	I <sub>R</sub>	Rated V <sub>R</sub>	@T <sub>A</sub> =25°C	--	5	μA
			@T <sub>A</sub> =125°C	--	125	

# Surface Mount Rectifiers

# S2DA--S2MA

## Ratings and Characteristic Curves ( $T_A=25^\circ\text{C}$ unless otherwise noted)

Fig.1-Forward Current Derating Curve

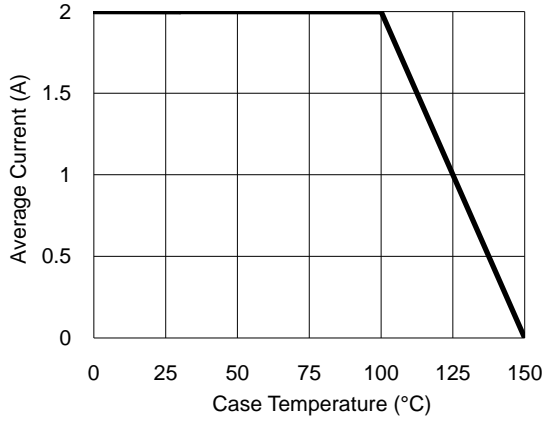


Fig.2- Surge Current Derating Curve

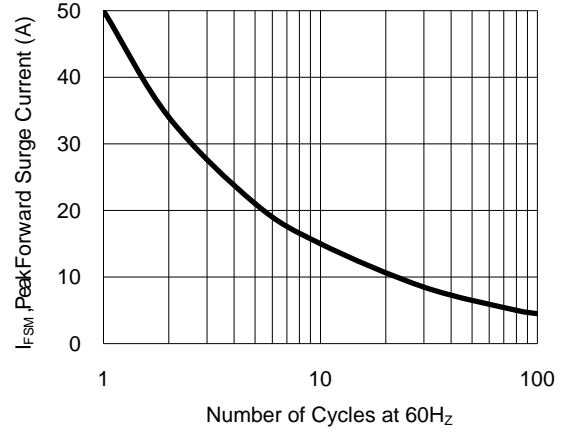


Fig.3- Typical Forward Voltage Characteristic

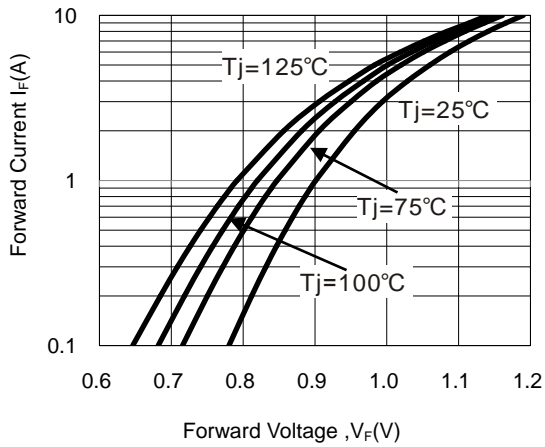
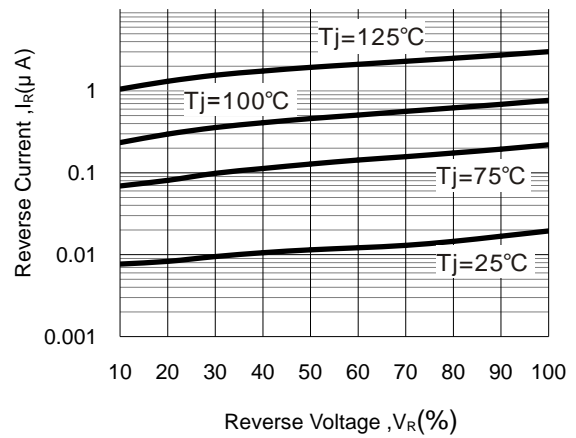


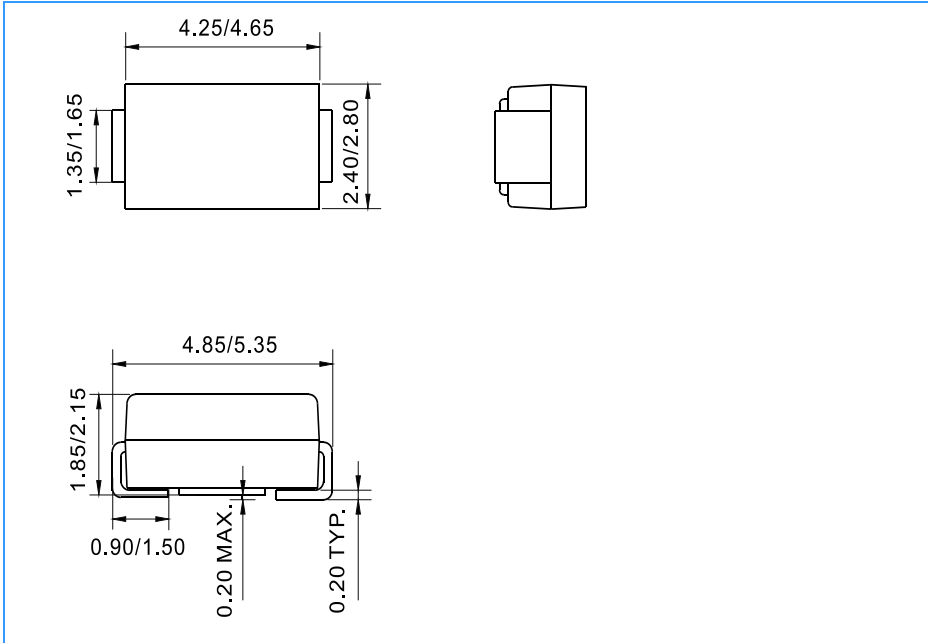
Fig.4- Typical Reverse Characteristic



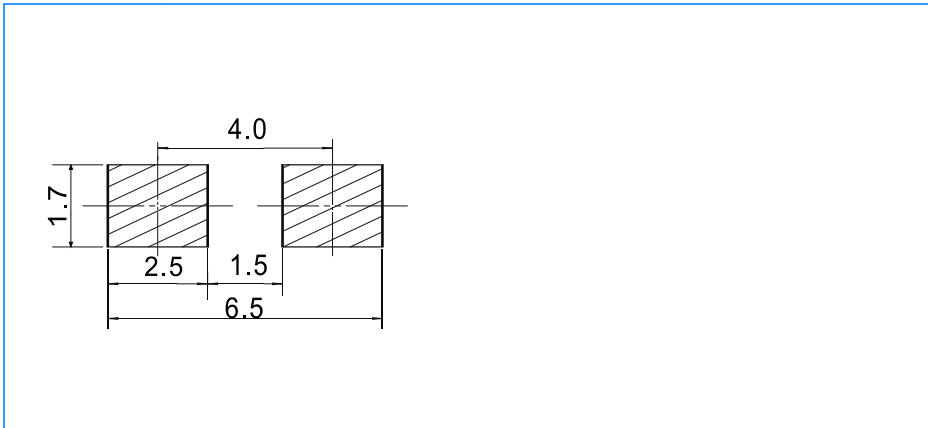
## Surface Mount Rectifiers

## S2DA--S2MA

### Package Outline Dimensions(unit:mm)



### Mounting Pad Layout(unit:mm)



### Ordering Information

Part No.	Marking	Package	Shipping
S2DA	S2DA	SMA	5000 /Tape&Reel
S2GA	S2GA	SMA	5000 /Tape&Reel
S2JA	S2JA	SMA	5000 /Tape&Reel
S2KA	S2KA	SMA	5000 /Tape&Reel
S2MA	S2MA	SMA	5000 /Tape&Reel