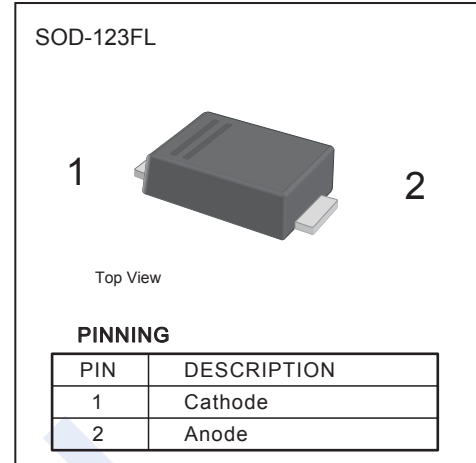


Rectifier Diodes

S2AF ~S2MF

■ Features

- For surface mounted applications
- Low profile package
- Glass Passivated Chip Junction
- Ideal for automated placement
- Lead free in comply with EU RoHS 2011/65/EU directives



■ Absolute Maximum Ratings Ta = 25°C

Parameter	Symbol	S2AF	S2BF	S2DF	S2GF	S2JF	S2KF	S2MF	Unit	
Repetitive Peak Reverse Voltage	V _{RRM}	50	100	200	400	600	800	1000	V	
RMS Voltage	V _{RMS}	35	70	140	280	420	560	700		
Maximum DC Blocking Voltage	V _{DC}	50	100	200	400	600	800	1000		
Forward Voltage @ I _F =2A	V _F	1.1								A
Averaged Forward Current Ta=65°C	I _{FAV}	2								
Peak Forward Surge Current @ 8.3ms	I _{FSM}	60								
Maximum DC Reverse Current Ta=25°C Ta=125°C	I _R	5 50							μA	
Typical Junction Capacitance (Note.1)	C _j	30							pF	
Typical Thermal Resistance	R _{θJA}	50							°C/W	
Junction Temperature	T _j	150							°C	
Storage Temperature	T _{stg}	-55 to 150								

Note.1: Measured at 1MHz and applied reverse voltage of 4V D.C

■ Marking

NO.	S2AF	S2BF	S2DF	S2GF	S2JF	S2KF	S2MF
Marking	2A1	2A2	2A3	2A4	2A5	2A6	2A7

Rectifier Diodes

S2AF ~S2MF

■ Typical Characteristics

Fig.1 Forward Current Derating Curve

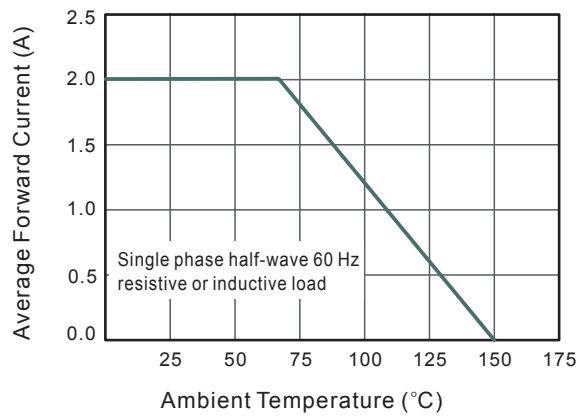


Fig.2 Typical Instaneous Reverse Characteristics

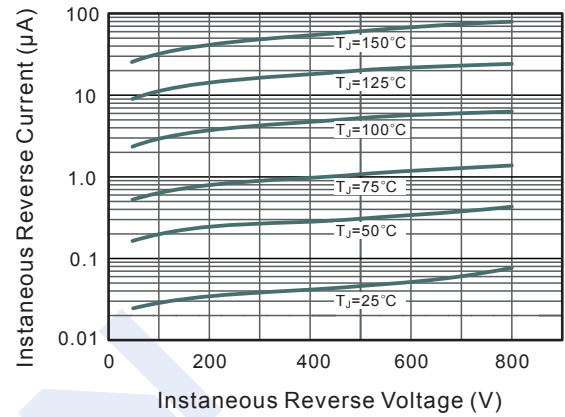


Fig.3 Typical Forward Characteristic

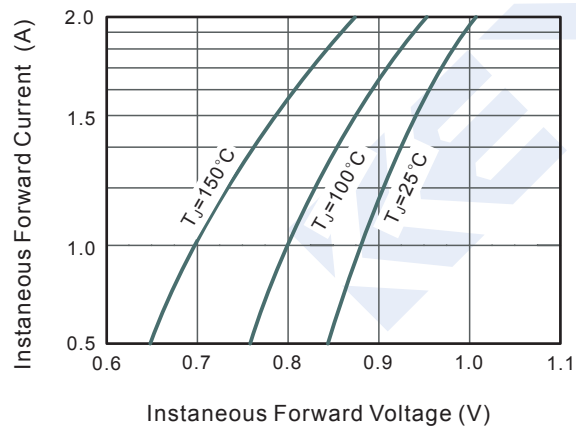
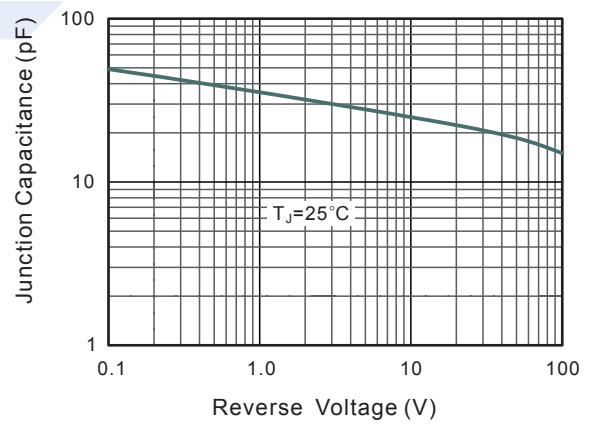


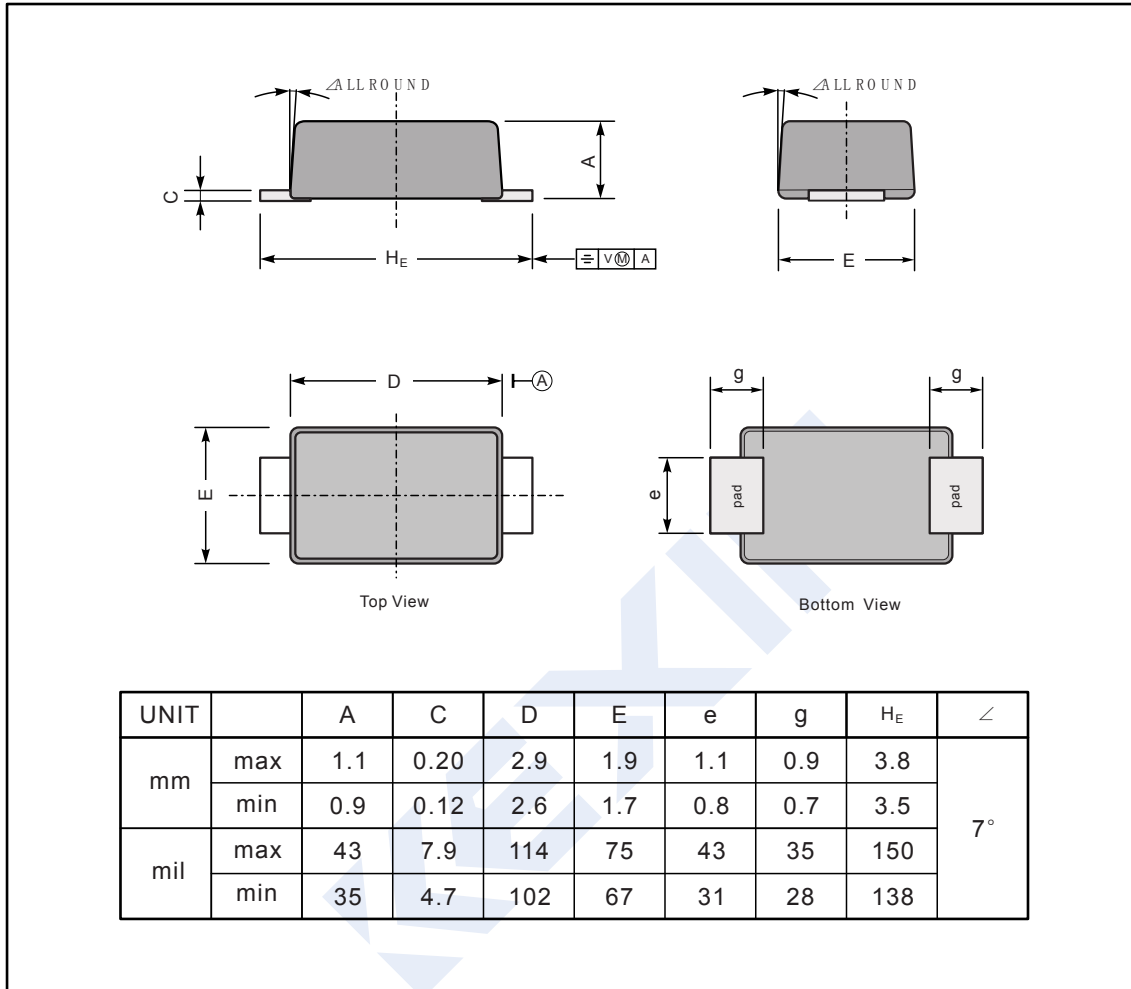
Fig.4 Typical Junction Capacitance



PACKAGE OUTLINE

Plastic surface mounted package; 2 leads

SOD-123FL



The recommended mounting pad size

