

1

PRODUCT OVERVIEW

SAM87RI PRODUCT FAMILY

Samsung's SAM87Ri family of 8-bit single-chip CMOS microcontrollers offers a fast and efficient CPU, a wide range of integrated peripherals, and various mask-programmable ROM sizes.

A address/data bus architecture and a large number of bit-configurable I/O ports provide a flexible programming environment for applications with varied memory and I/O requirements. Timer/counters with selectable operating modes are included to support real-time operations.

S3C9404/C9414 MICROCONTROLLER

The S3C9404/C9414 single-chip 8-bit microcontroller is fabricated using an advanced CMOS process. It is built around the powerful SAM87Ri CPU core. The S3C9404/C9414 is a versatile microcontroller, with its A/D converter and a zero-crossing detection capability it can be used in a wide range of general purpose applications.

Stop and Idle power-down modes were implemented to reduce power consumption. To increase on-chip register space, the size of the internal register file was logically expanded. The S3C9404/C9414 has 4-Kbytes of program memory on-chip (ROM) and 208-bytes of general purpose register area RAM.

Using the SAM87Ri design approach, the following peripherals were integrated with the SAM87Ri core:

- Four configurable I/O ports (S3C9404: 22 pins, S3C9414: 16 pins)
- Six interrupt sources with one vector and one interrupt level
- Two 8-bit timer/counter with various operating modes
- Analog to digital converter (S3C9404: 8-bit, 8-channel, S3C9414: 10-bit, 5-channel)
- One zero cross detection module

The S3C9404/C9414 microcontroller is ideal for use in a wide range of electronic applications requiring simple timer/counter, PWM, ADC, ZCD and capture functions. S3C9404 is available in a 30-pin SDIP and a 32-pin SOP package. S3C9414 is available in a 24-pin SDIP and a 24-pin SOP package.

OTP

The S3P9404/P9414 is an OTP (one time programmable) version of the S3C9404/C9414 microcontroller. The S3P9404/P9414 has on-chip 4-Kbyte one-time programmable EEPROM instead of masked ROM. The S3P9404/P9414 is fully compatible with the S3C9404/C9414, in function, in D.C. electrical characteristics and in pin configuration.

FEATURES

CPU

- SAM87Ri CPU core

Memory

- 4-Kbyte internal program memory (ROM)
- 208-byte general purpose register area (RAM)

Instruction Set

- 41 instructions
- IDLE and STOP instructions added for power-down modes.

Instruction Execution Time

- 600 ns at 10 MHz f_{OSC} (minimum)

Interrupts

- 6 interrupt sources with one vector and one level interrupt structure

Oscillation Frequency

- 1 MHz to 10 MHz external crystal oscillator
- Maximum 10 MHz CPU clock
- 4 MHz RC oscillator

General I/O

- Four I/O ports (22 pins for S3C9404, 16 pins for S3C9414)
- Bit programmable ports

A/D Converter

- Eight analog input pins
- 8-bit conversion resolution (S3C9404)
- 10-bit conversion resolution (S3C9414)

Timer/Counter

- One 8-bit basic timer for watchdog function
- One 8-bit timer/counter with three operating modes (10-bit PWM 1ch)
- One 8-bit timer/counter for the zero-crossing detection circuit

Zero-Crossing Detection Circuit

- Zero-crossing detection circuit that generates a digital signal in synchronism with an AC signal input

Buzzer Frequency Range

- 200 Hz to 20 kHz signal can be generated

Operating Temperature Range

- -40°C to $+85^{\circ}\text{C}$

Operating Voltage Range

- 2.7 V to 5.5 V

OTP Interface Protocol Spec

- Serial OTP

Package Types

- 30-pin SDIP, 32-pin SOP for S3C9404/P9404
- 24-pin SDIP, 24-pin SOP for S3C9414/P9414

BLOCK DIAGRAM

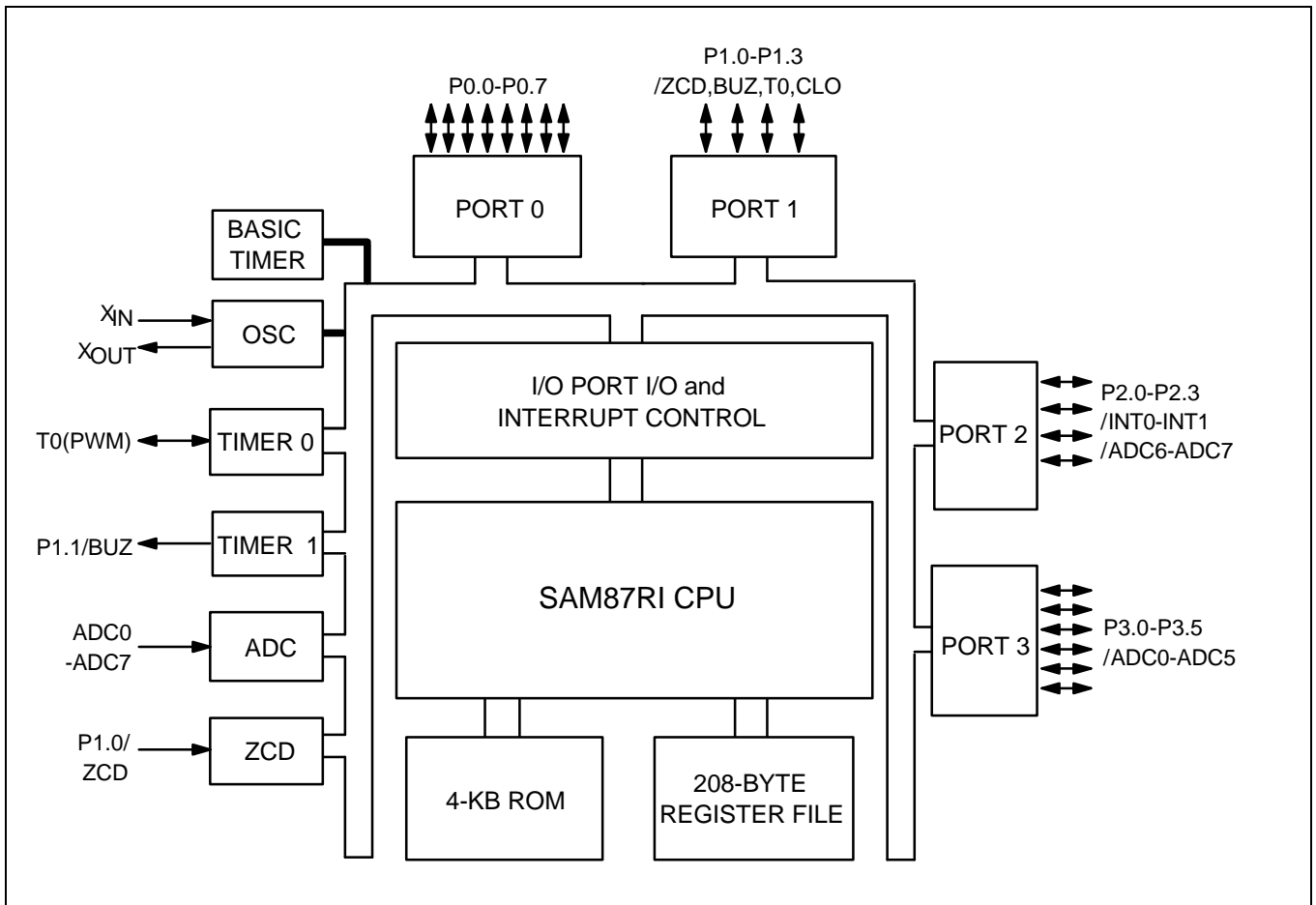


Figure 1-1. Block Diagram

PIN ASSIGNMENTS

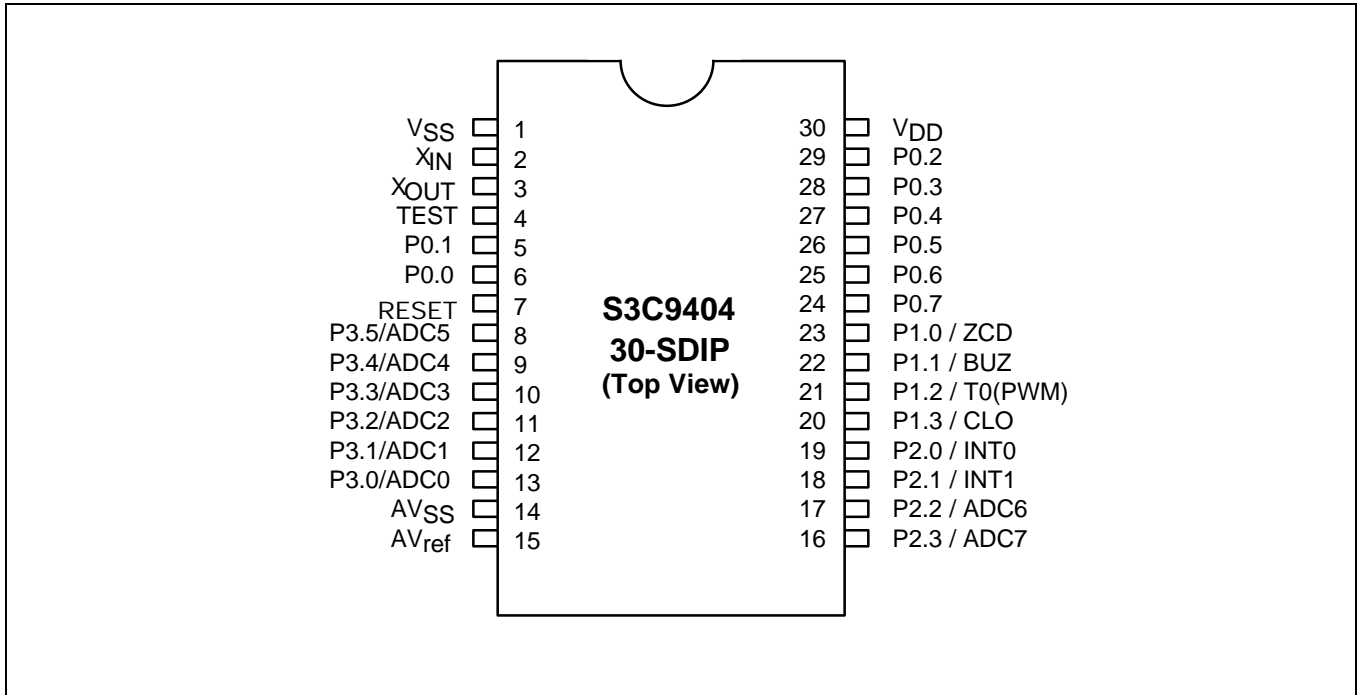


Figure 1-2. Pin Assignment Diagram (30-Pin SDIP Package)

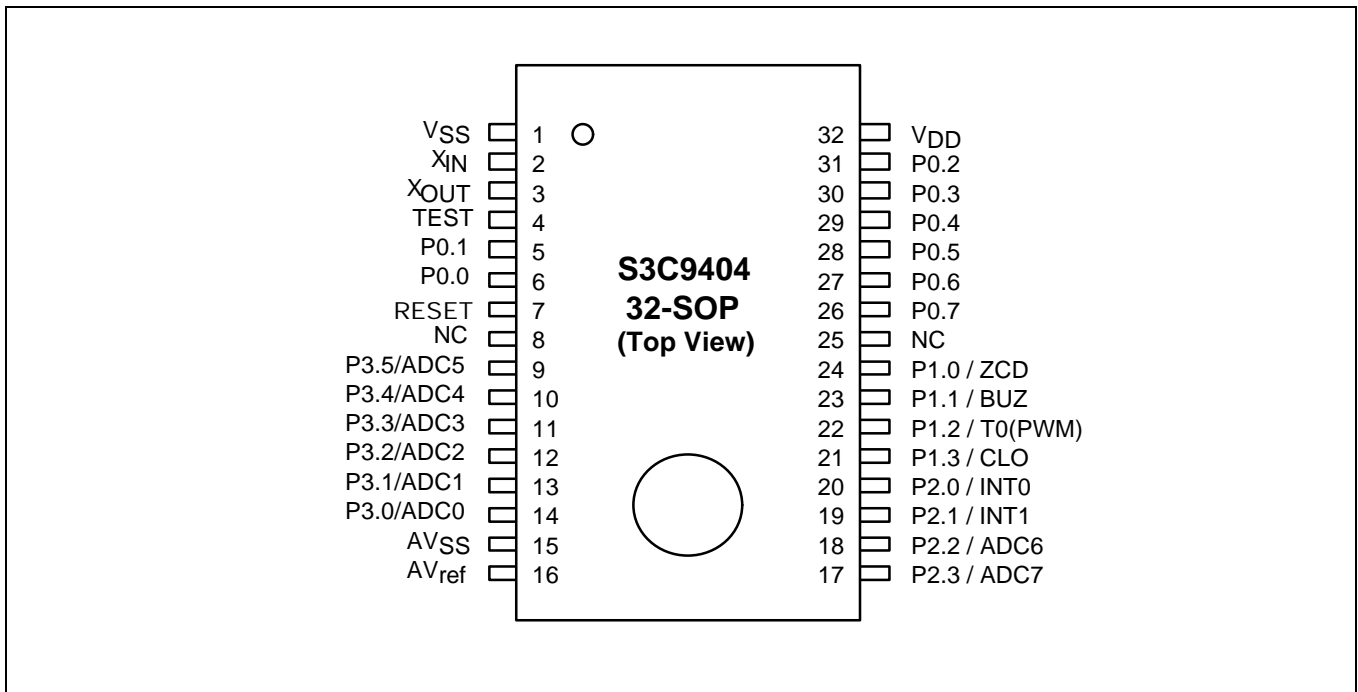


Figure 1-3. Pin Assignment Diagram (32-Pin SOP Package)

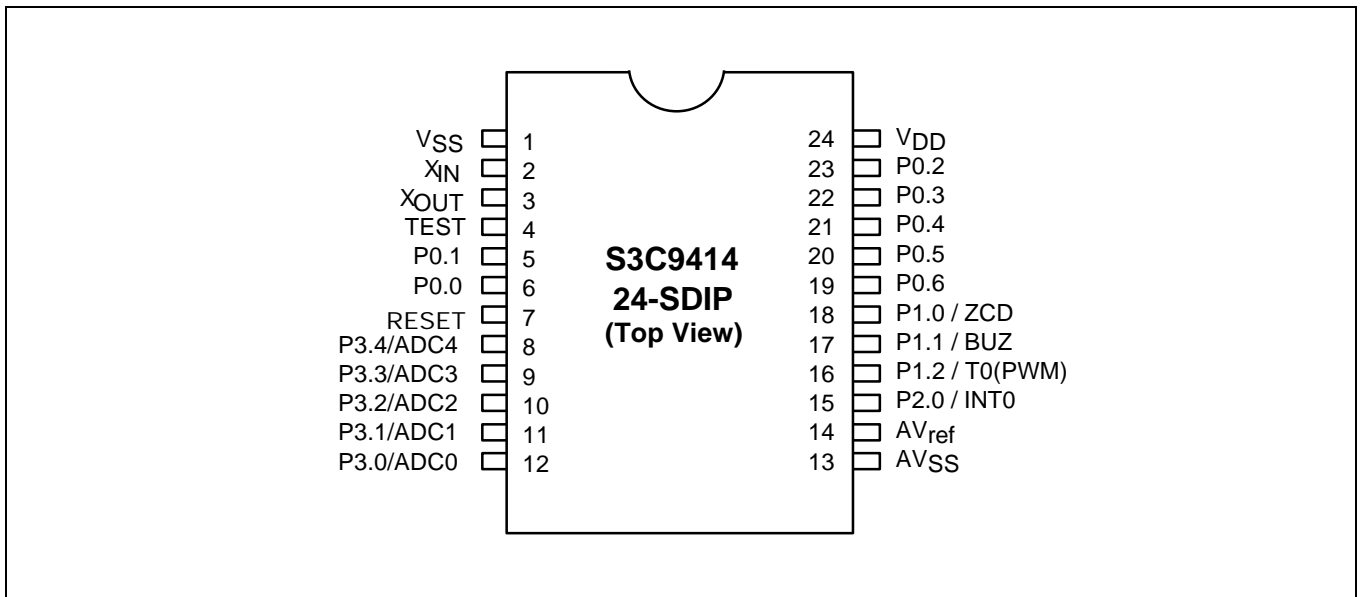


Figure 1-4. Pin Assignment Diagram (24-Pin SDIP Package)

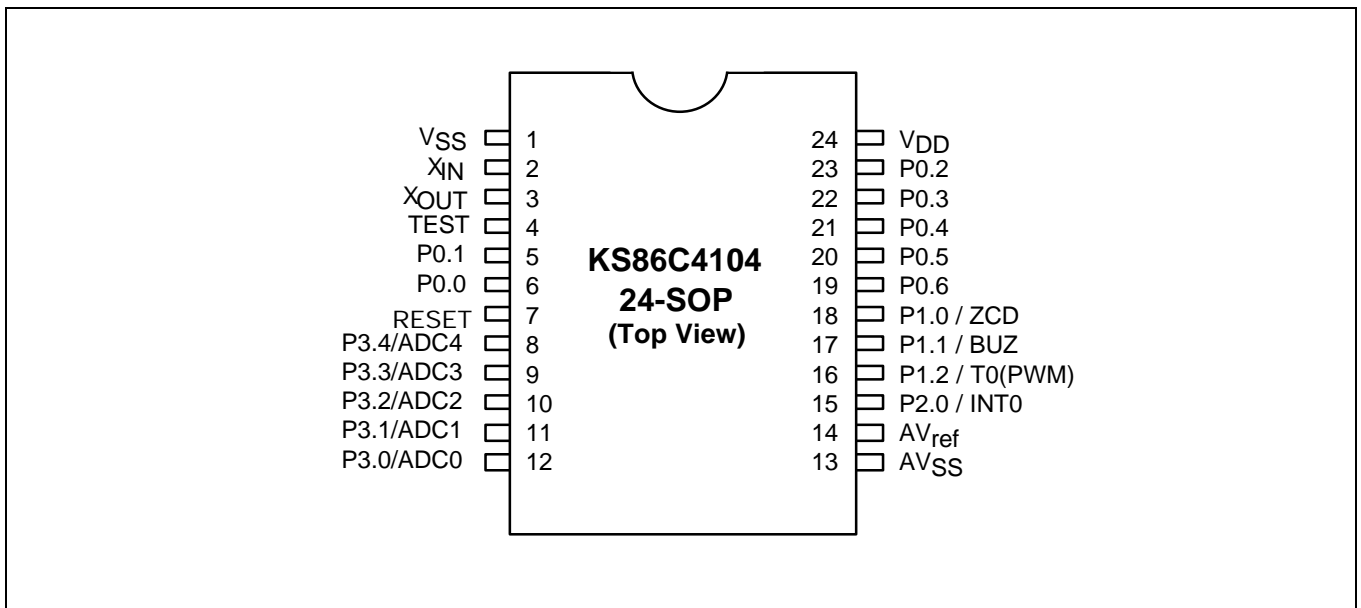


Figure 1-5. Pin Assignment Diagram (24-Pin SOP Package)

PIN DESCRIPTIONS

Table 1-1. S3C9404/C9414 Pin Descriptions

Pin Names	Pin Type	Pin Description	Circuit Type	Share Pins
P0.0-P0.7	I/O	Bit-programmable I/O port for normal input or push-pull, open-drain output. Pull-up resistors are assignable by software.	E-2	
P1.0-P1.3	I/O	Bit-programmable I/O port for Schmitt trigger input or push-pull output. Pull-up resistors are assignable by software. Port 1 pins can also be used as alternative functions.	F D D D	ZCD BUZ T0(PWM) CLO
P2.0-P2.3	I/O	Bit-programmable I/O port for Schmitt trigger input or push-pull, open drain output. Pull up resistors are assignable by software. Port 2 can also be used as external interrupt, A/D input.	E E-1	INT0–INT1 ADC6–ADC7
P3.0-P3.5	I/O	Bit-programmable I/O port for Schmitt trigger input or push-pull output. Pull-up resistors are assignable by software. Port 3 pins can also be used as A/D converter input.	F	ADC0–ADC5
X _{IN} , X _{OUT}	–	Crystal/ceramic, or RC oscillator signal for system clock.	–	–
INT0–INT1	I	External interrupt input.	E	P2.0–P2.1
RESET	I	System RESET signal input pin.	B	–
TEST	I	Test signal input pin (for factory use only: must be connected to V _{SS})	–	–
V _{DD} , V _{SS}	–	Voltage input pin and ground	–	–
AV _{REF} , AV _{SS}	–	A/D converter reference voltage input and ground	–	–
ZCD	I	Zero crossing detector input	F	P1.0
BUZ	O	200 Hz–20 kHz frequency output for buzzer sound	D	P1.1
T0	I/O	Timer 0 capture input or 10-bit PWM output	D	P1.2
CLO	O	System clock output port	D	P1.3
ADC0–ADC7	I	A/D converter input	F E-1	P3.0–P3.5 P2.2–P2.3

NOTE: Port 0.7, P1.3, P2.1–P2.3 and P3.5 is not available in S3C9414/P4104 .

PIN CIRCUITS

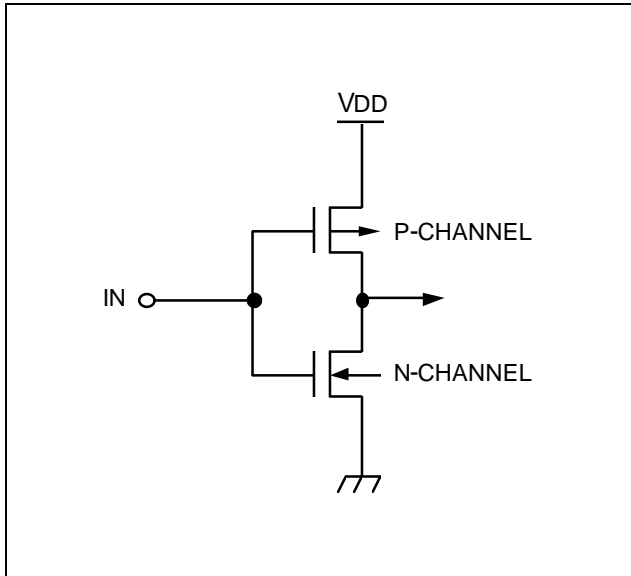


Figure 1-6. Pin Circuit Type A

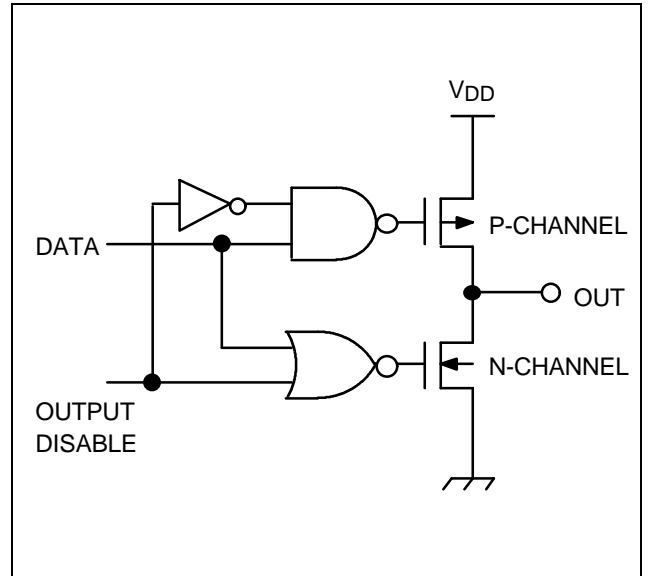


Figure 1-8. Pin Circuit Type C

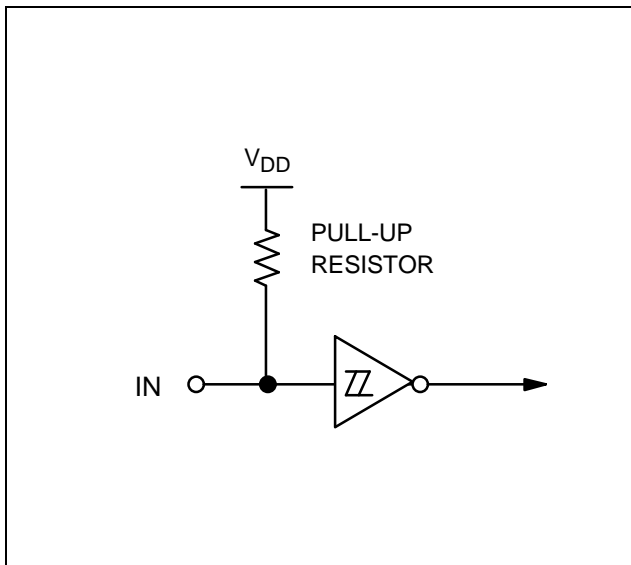


Figure 1-7. Pin Circuit Type B

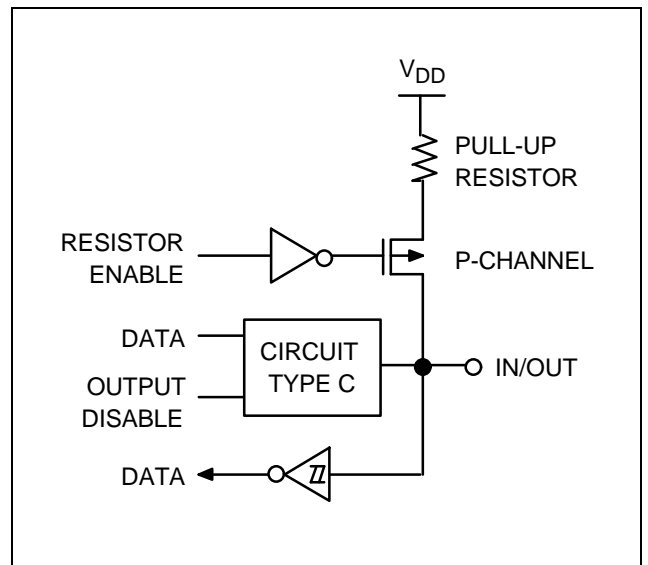


Figure 1-9. Pin Circuit Type D

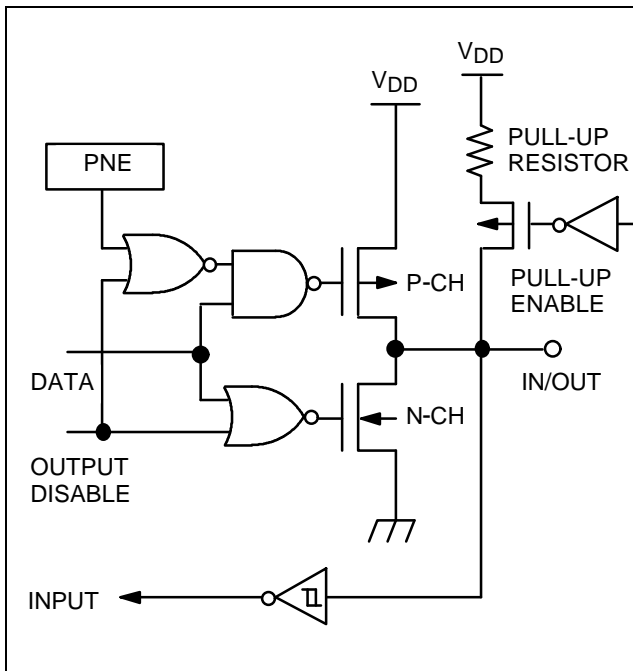


Figure 1-10. Pin Circuit Type E

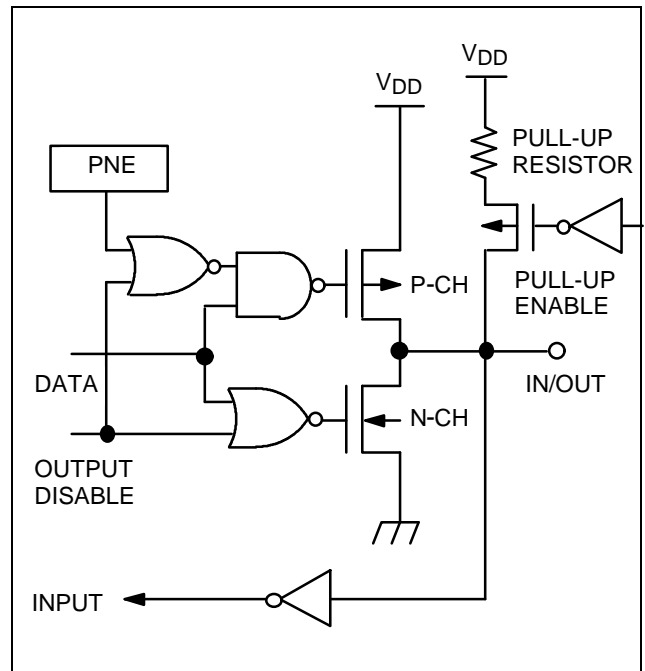


Figure 1-10. Pin Circuit Type E-2

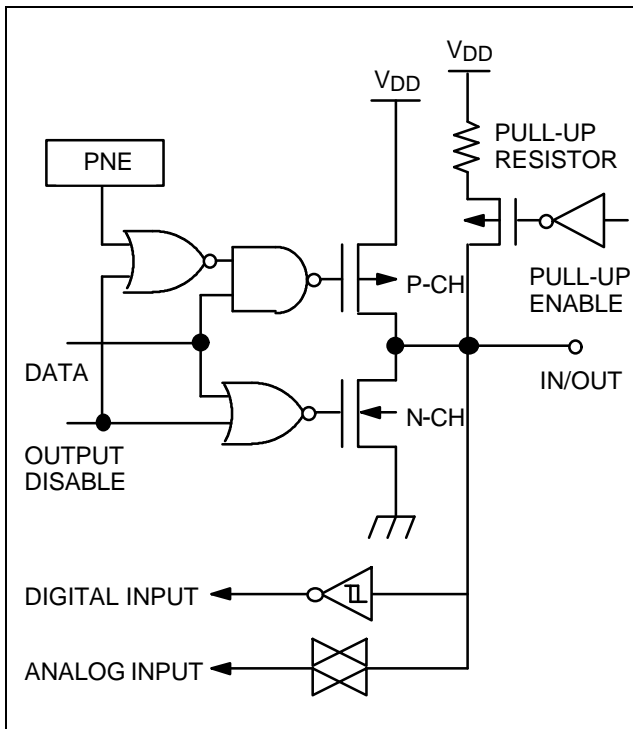


Figure 1-11. Pin Circuit Type E-1

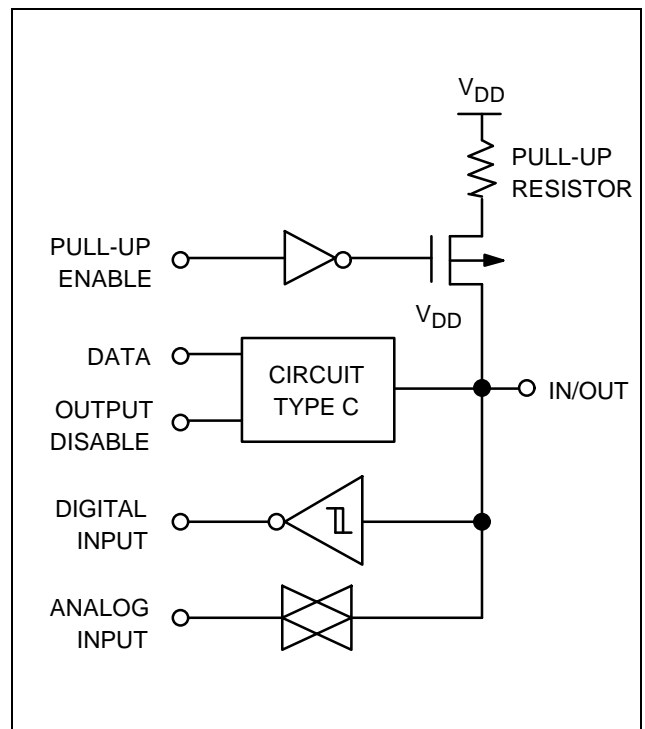


Figure 1-12. Pin Circuit Type F

13 ELECTRICAL DATA

OVERVIEW

In this section, the following S3C9404/C9414 electrical characteristics are presented in tables and graphs:

- Absolute maximum ratings
- D.C. electrical characteristics
- A.C. electrical characteristics
- Oscillator characteristics
- Oscillation stabilization time
- Operating Voltage Range
- Schmitt trigger input characteristics
- Data retention supply voltage in Stop mode
- Stop mode release timing when initiated by a RESET
- A/D converter electrical characteristics
- Zero-crossing detector
- Zero Crossing Waveform Diagram

Table 13-1. Absolute Maximum Ratings

 $(T_A = 25^\circ\text{C})$

Parameter	Symbol	Conditions	Rating	Unit
Supply voltage	V_{DD}	–	– 0.3 to + 6.5	V
Input voltage	V_I	All input ports	– 0.3 to $V_{DD} + 0.3$	V
Output voltage	V_O	All output ports	– 0.3 to $V_{DD} + 0.3$	V
Output current high	I_{OH}	One I/O pin active	– 18	mA
		All I/O pins active	– 60	
Output current low	I_{OL}	One I/O pin active	+ 30	mA
		Total pin current for ports 1, 2, 3	+ 100	
		Total pin current for ports 0	+ 200	
Operating temperature	T_A	–	– 40 to + 85	$^\circ\text{C}$
Storage temperature	T_{STG}	–	– 65 to + 150	$^\circ\text{C}$

Table 13-2. DC Electrical Characteristics

 $(T_A = -40^\circ\text{C}$ to $+85^\circ\text{C}$, $V_{DD} = 2.7\text{ V}$ to 5.5 V)

Parameter	Symbol	Conditions		Min	Typ	Max	Unit
Input high voltage	V_{IH1}	Ports 1,2,3, and RESET	$V_{DD} = 2.7$ to 5.5 V	$0.8 V_{DD}$	–	V_{DD}	V
	V_{IH2}	Port 0		$0.7 V_{DD}$			
	V_{IH3}	X_{IN} and X_{OUT}		$V_{DD} - 0.1$			
Input low voltage	V_{IL1}	Ports 1,2,3, and RESET	$V_{DD} = 2.7$ to 5.5 V	–	–	$0.2 V_{DD}$	V
	V_{IL2}	Port 0				$0.3 V_{DD}$	
	V_{IL3}	X_{IN} and X_{OUT}				0.1	
Output high voltage	V_{OH}	$I_{OH} = -1\text{ mA}$ ports 0, 1, 2, 3	$V_{DD} = 4.5$ to 5.5 V	$V_{DD} - 1.0$	–	–	V
Output low voltage	V_{OL1}	$I_{OL} = 15\text{ mA}$ port 0	$V_{DD} = 4.5$ to 5.5 V	–	0.4	2.0	V
	V_{OL2}	$I_{OL} = 4\text{ mA}$ port 1,2,3			0.4	2.0	

Table 13-2. DC Electrical Characteristics (Continued)

(T_A = -40°C to +85°C, V_{DD} = 2.7 V to 5.5 V)

Parameter	Symbol	Conditions		Min	Typ	Max	Unit		
Input high leakage current	I _{LIH1}	All inputs except I _{LIH2}	V _{IN} = V _{DD}	-	-	1	μA		
	I _{LIH2}	X _{IN} , X _{OUT}	V _{IN} = V _{DD}			20			
Input low leakage current	I _{LIL1}	All inputs except I _{LIL2} and RESET	V _{IN} = 0 V	-	-	-1	μA		
	I _{LIL2}	X _{IN} , X _{OUT}	V _{IN} = 0 V			-20			
Output high leakage current	I _{LOH}	All outputs	V _{OUT} = V _{DD}	-	-	2	μA		
Output low leakage current	I _{LOL}	All outputs	V _{OUT} = 0 V	-	-	-2	μA		
Pull-up resistors	R _P	V _{IN} = 0 V Ports 0-3 and RESET	V _{DD} = 5 V	30	47	70	kΩ		
			V _{DD} = 3 V	30	280	350			
Supply current	I _{DD1}	Run mode 10 MHz CPU clock	V _{DD} = 5 V ± 10%	-	7.5	15	mA		
			V _{DD} = 3 V ± 10%			3		6	
	I _{DD2}	Idle mode 10 MHz CPU clock	V _{DD} = 5 V ± 10%			2		5	
			V _{DD} = 3 V ± 10%			0.7		2.5	
	I _{DD3}	Stop mode	V _{DD} = 5 V ± 10%			0.1		5	μA
			V _{DD} = 3 V ± 10%						

NOTE: D.C. electrical values for Supply current (I_{DD1} to I_{DD3}) do not include current drawn through internal pull-up resistors, output port drive current, ZCD and ADC.

Table 13-3. AC Electrical Characteristics

(T_A = -20°C to +85°C, V_{DD} = 2.7 V to 5.5 V)

Parameter	Symbol	Conditions	Min	Typ	Max	Unit
Interrupt input high, low width	t _{INTH} , t _{INTL}	Port 2 V _{DD} = 5V ± 10%	–	200	–	ns
RESET input low width ZCD noise filter	t _{RSL} –	Input V _{DD} = 5V ± 10%	–	1	–	μs

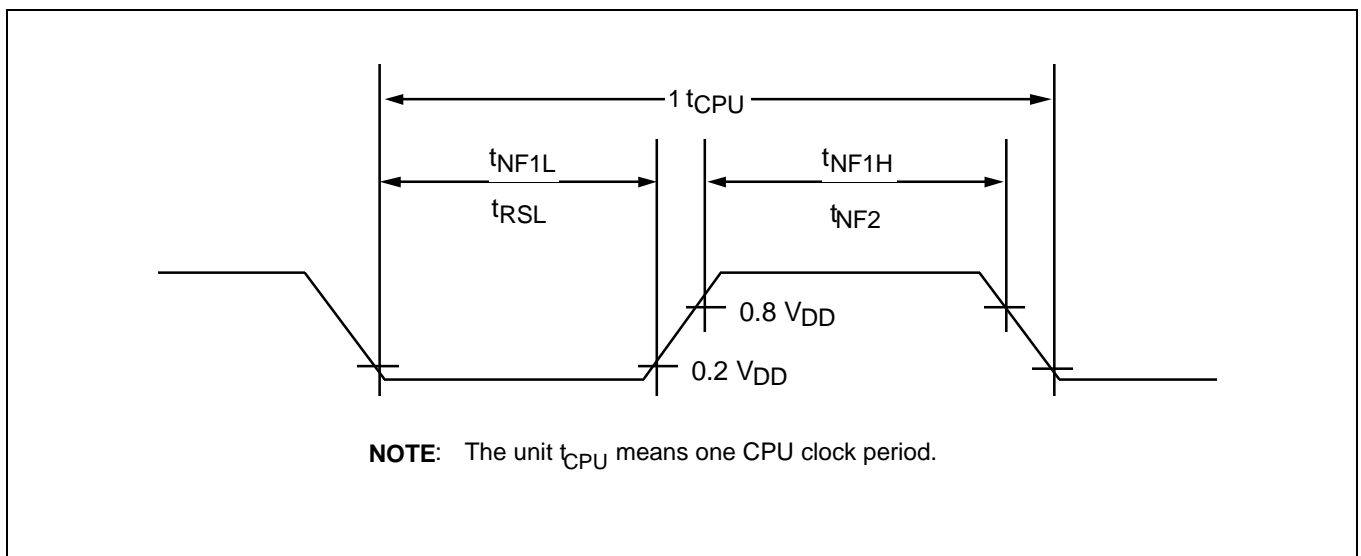


Figure 13-1. Input Timing Measurement Points

Table 13-4. Oscillator Characteristics

(T_A = -40°C to +85°C)

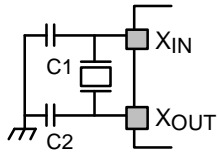
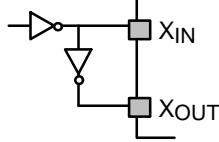
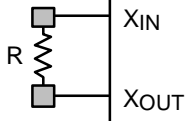
Oscillator	Clock Circuit	Test Condition	Min	Typ	Max	Unit
Main crystal or ceramic		V _{DD} = 4.5 to 5.5 V V _{DD} = 2.7 to 4.5 V	1 1	– –	10 8	MHz
External clock		V _{DD} = 4.5 to 5.5 V V _{DD} = 2.7 to 4.5 V	1 1	– –	10 8	
RC oscillator		V _{DD} = 4.75 to 5.25 V R = 8.2K	–	4 (P1.3/ CLO)	–	

Table 13-5. Oscillation Stabilization Time

(T_A = -40°C to +85°C, V_{DD} = 2.7 V to 5.5 V)

Oscillator	Test Condition	Min	Typ	Max	Unit
Main crystal	f _{OSC} > 1.0 MHz	–	–	20	ms
Main ceramic	Oscillation stabilization occurs when V _{DD} is equal to the minimum oscillator voltage range.	–	–	10	
External clock (main system)	X _{IN} input high and low width (t _{XH} , t _{XL})	25	–	500	ns
Oscillator stabilization	t _{WAIT} when released by a reset ⁽¹⁾	–	2 ¹⁶ /f _{OSC}	–	ms
wait time	t _{WAIT} when released by an interrupt ⁽²⁾	–	–	–	

NOTES:

- f_{OSC} is the oscillator frequency.
- The duration of the oscillator stabilization wait time, t_{WAIT}, when it is released by an interrupt is determined by the settings in the basic timer control register, BTCON.

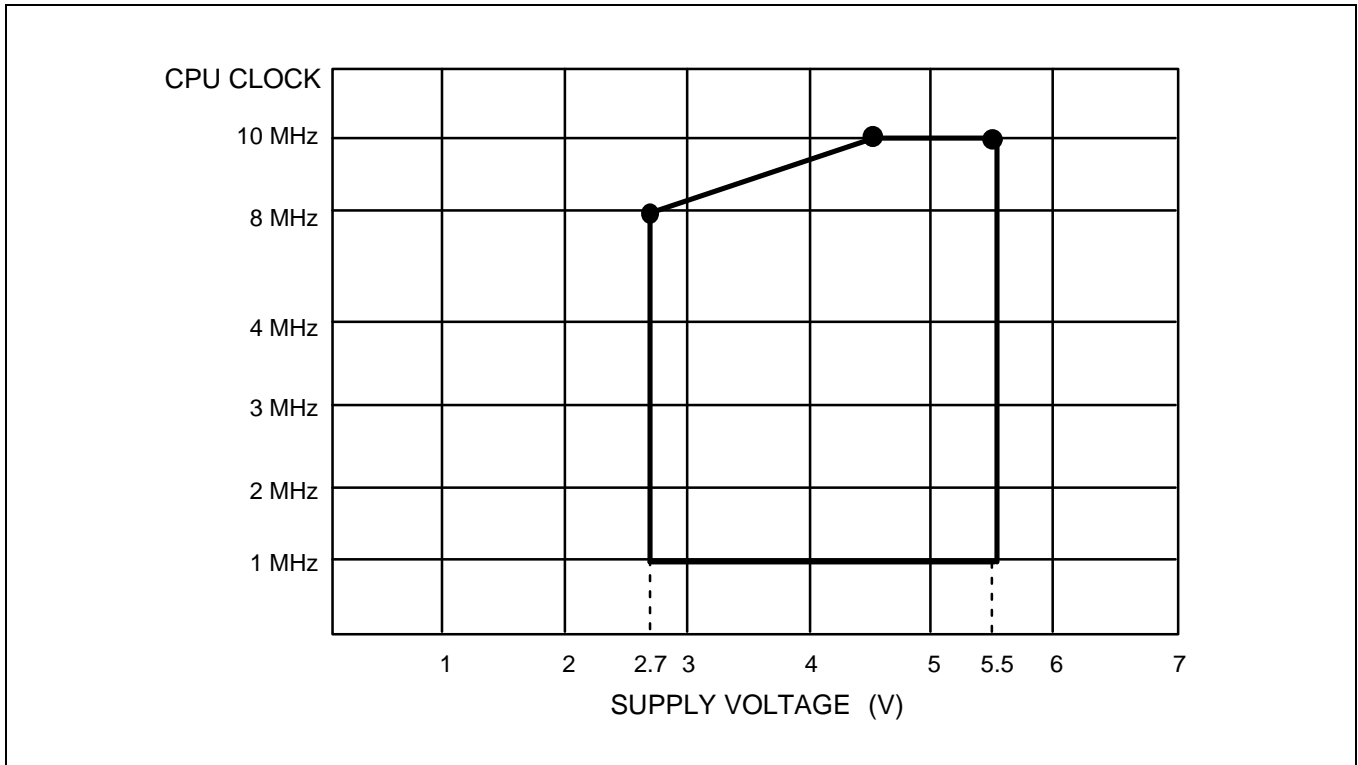


Figure 13-2. Operating Voltage Range

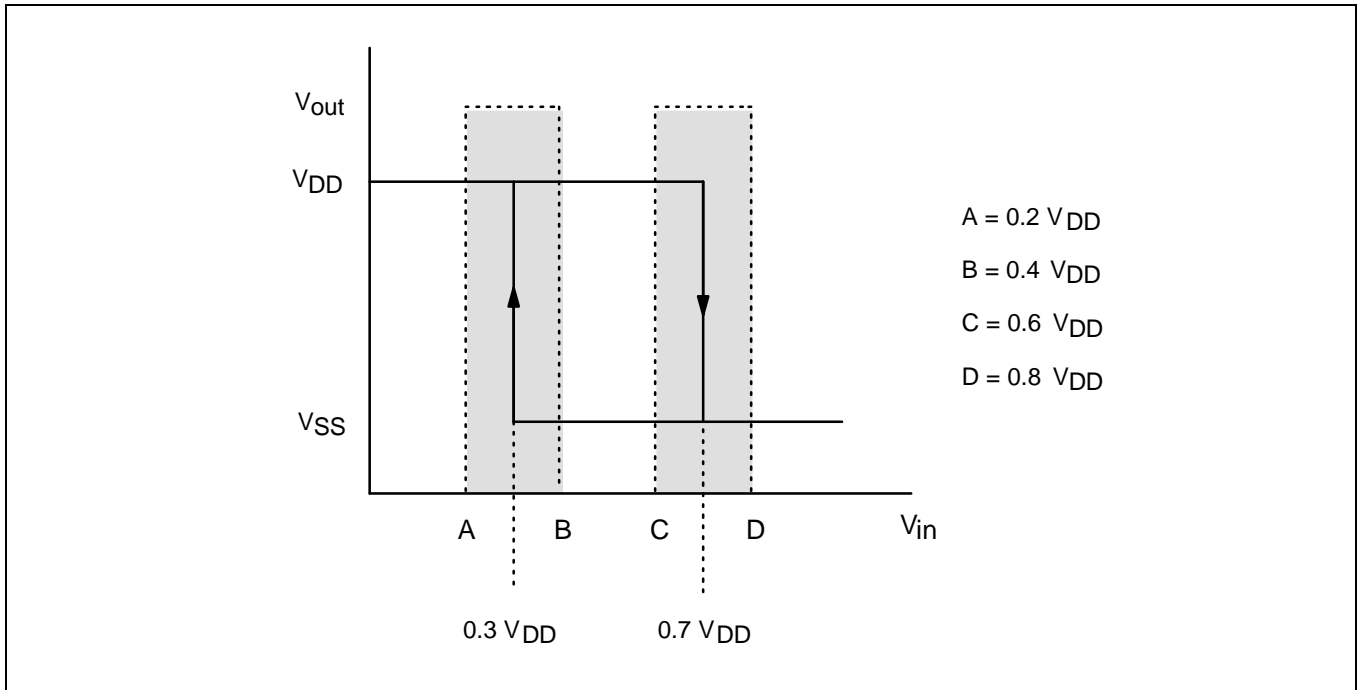


Figure 13-3. Schmitt Trigger Input Characteristics Diagram

Table 13-6. Data Retention Supply Voltage in Stop Mode

($T_A = -40^\circ\text{C}$ to $+85^\circ\text{C}$, $V_{DD} = 2.7\text{ V}$ to 5.5V)

Parameter	Symbol	Conditions	Min	Typ	Max	Unit
Data retention supply voltage	V_{DDDR}	Stop mode	2.0	–	5.5	V
Data retention supply current	I_{DDDR}	Stop mode; $V_{DDDR} = 2.0\text{ V}$	–	0.1	5	μA

NOTE: Supply current does not include current drawn through internal pull-up resistors or external output current loads.

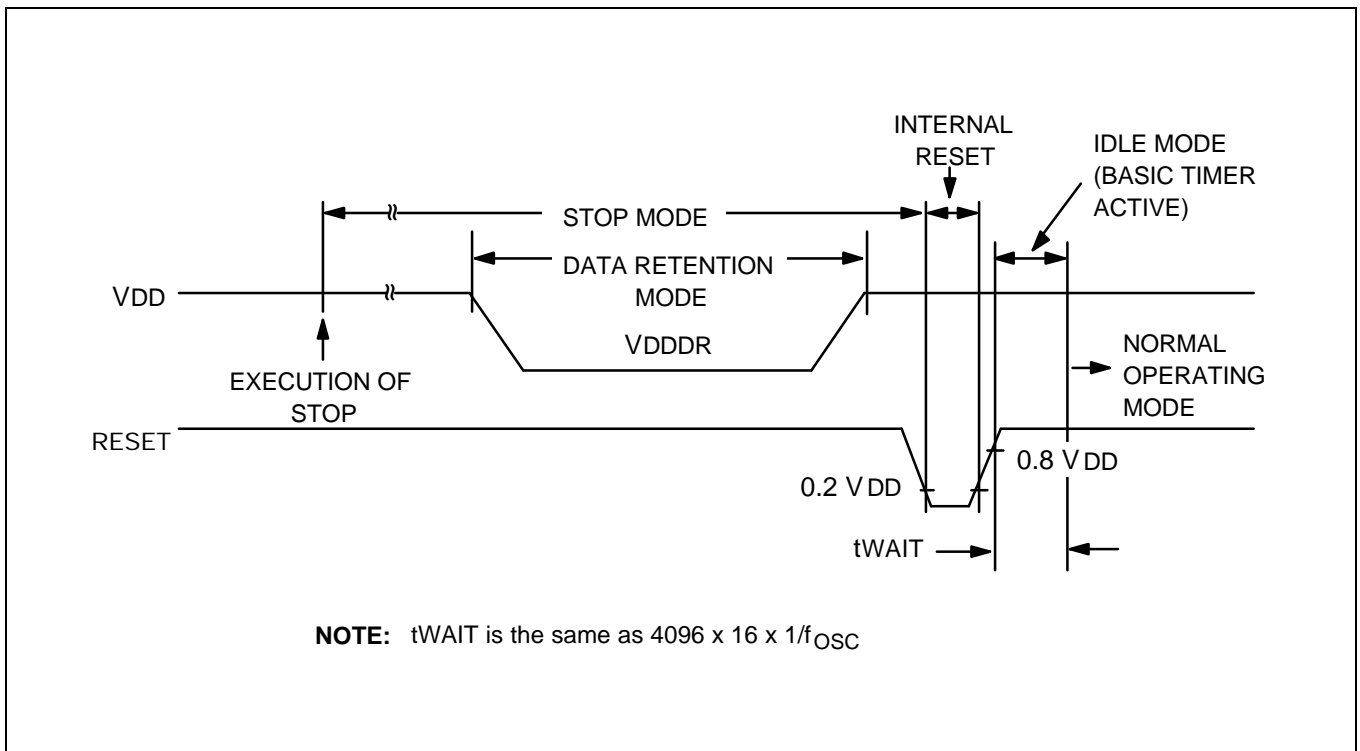


Figure 13-4. Stop Mode Release Timing When Initiated by a RESET

Table 13-7. A/D Converter Electrical Characteristics (S3C9404)

(T_A = -40°C to +85°C, V_{DD} = 2.7 V to 5.5 V, V_{SS} = 0 V)

S3C9404: 8-bit ADC

Parameter	Symbol	Test Conditions	Min	Typ	Max	Unit
Total accuracy		V _{DD} = 5.12 V	-	-	± 2	LSB
Integral linearity error	ILE	CPU clock = 10 MHz AV _{REF} = 5.12 V		-	± 1.5	
Differential linearity error	DLE	AV _{SS} = 0 V		-	± 1	
Offset error of top	EOT			- 1	± 2	
Offset error of bottom	EOB			- 1	± 2	
Conversion time ⁽¹⁾	t _{CON}	f _{cpu} = 10 MHz	5	-	-	μs
Analog input voltage	V _{IAN}	-	AV _{SS}	-	AV _{REF}	V
Analog input impedance	R _{AN}	-	2	-	-	MΩ
ADC reference voltage	AV _{REF}	-	2.5	-	V _{DD}	V
ADC reference ground	AV _{SS}	-	V _{SS}	-	V _{SS} + 0.3	V
Analog input current	I _{ADIN}	AV _{REF} = V _{DD} = 5 V conversion time = 5 μs	-	-	10	μA
ADC block current ⁽²⁾	I _{ADC}	AV _{REF} = V _{DD} = 5 V conversion time = 5 μs	-	1	3	mA
		AV _{REF} = V _{DD} = 3 V conversion time = 5 μs		0.5	1.5	
		AV _{REF} = V _{DD} = 5 V Power down mode	-	100	500	nA

NOTES:

1. "Conversion time" is the time required from the moment a conversion operation starts until it ends.
2. I_{ADC} is operating current during A/D conversion.

Table 13-8. A/D Converter Electrical Characteristics (S3C9414)

(T_A = -40°C to +85°C, V_{DD} = 2.7 V to 5.5 V, V_{SS} = 0 V)

S3C9414: 10-bit ADC

Parameter	Symbol	Test Conditions	Min	Typ	Max	Unit
Resolution			-	10	-	bit
Total accuracy		V _{DD} = 5.12 V	-	-	± 3	LSB
Integral linearity error	ILE	CPU clock = 10 MHz AV _{REF} = 5.12 V		-	± 2	
Differential linearity error	DLE	AV _{SS} = 0 V		-	± 1	
Offset error of top	EOT			± 1	± 3	
Offset error of bottom	EOB			± 0.5	± 2	
Conversion time (1)	t _{CON}	10-bit conversion 50 x 4/ f _{OSC} (3)	20	-	-	μs
Analog input voltage	V _{IAN}	-	AV _{SS}	-	AV _{REF}	V
Analog input impedance	R _{AN}	-	2	-	-	MΩ
Analog reference voltage	AV _{REF}	-	2.5	-	V _{DD}	V
Analog ground	AV _{SS}	-	V _{SS}	-	V _{SS} + 0.3	V
Analog input current	I _{ADIN}	AV _{REF} = V _{DD} = 5 V conversion time = 20 μs	-	-	10	μA
Analog block current (2)	I _{ADC}	AV _{REF} = V _{DD} = 5 V conversion time = 20 μs		1	3	mA
		AV _{REF} = V _{DD} = 3 V conversion time = 20 μs		0.5	1.5	mA
		AV _{REF} = V _{DD} = 5 V when power down mode		100	500	nA

NOTES:

- "Conversion time" is the time required from the moment a conversion operation starts until it ends.
- I_{ADC} is operating current during A/D conversion.
- f_{OSC} is the main oscillator clock.

Table 13-9. Zero Crossing Detector

(T_A = -40°C to +85°C, V_{DD} = 4.5 V to 5.5 V, V_{SS} = 0 V)

Parameter	Symbol	Test Conditions	Min	Typ	Max	Unit
Zero-crossing detection input voltage	V _{ZC}	AC connection c = 0.1 μF	1.0	–	3.0	Vp-p
Zero-crossing detection accuracy	V _{AZC}	f _{ZC} = 60 Hz (sine wave) V _{DD} = 5 V f _{OSC} = 10 MHz	–	–	± 150	mV
Zero-crossing detection input frequency	f _{ZC}	–	40	–	200	Hz

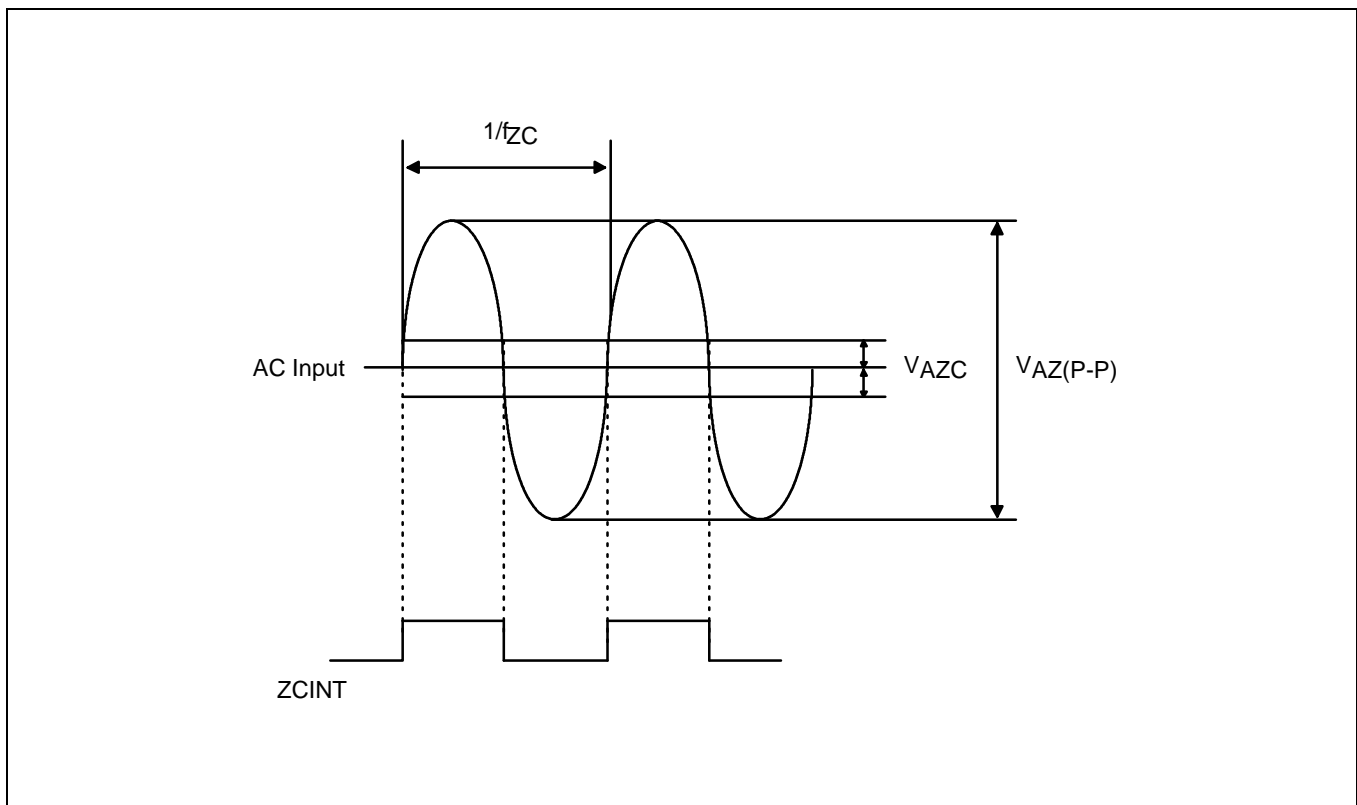


Figure 13-5. Zero Crossing Waveform Diagram

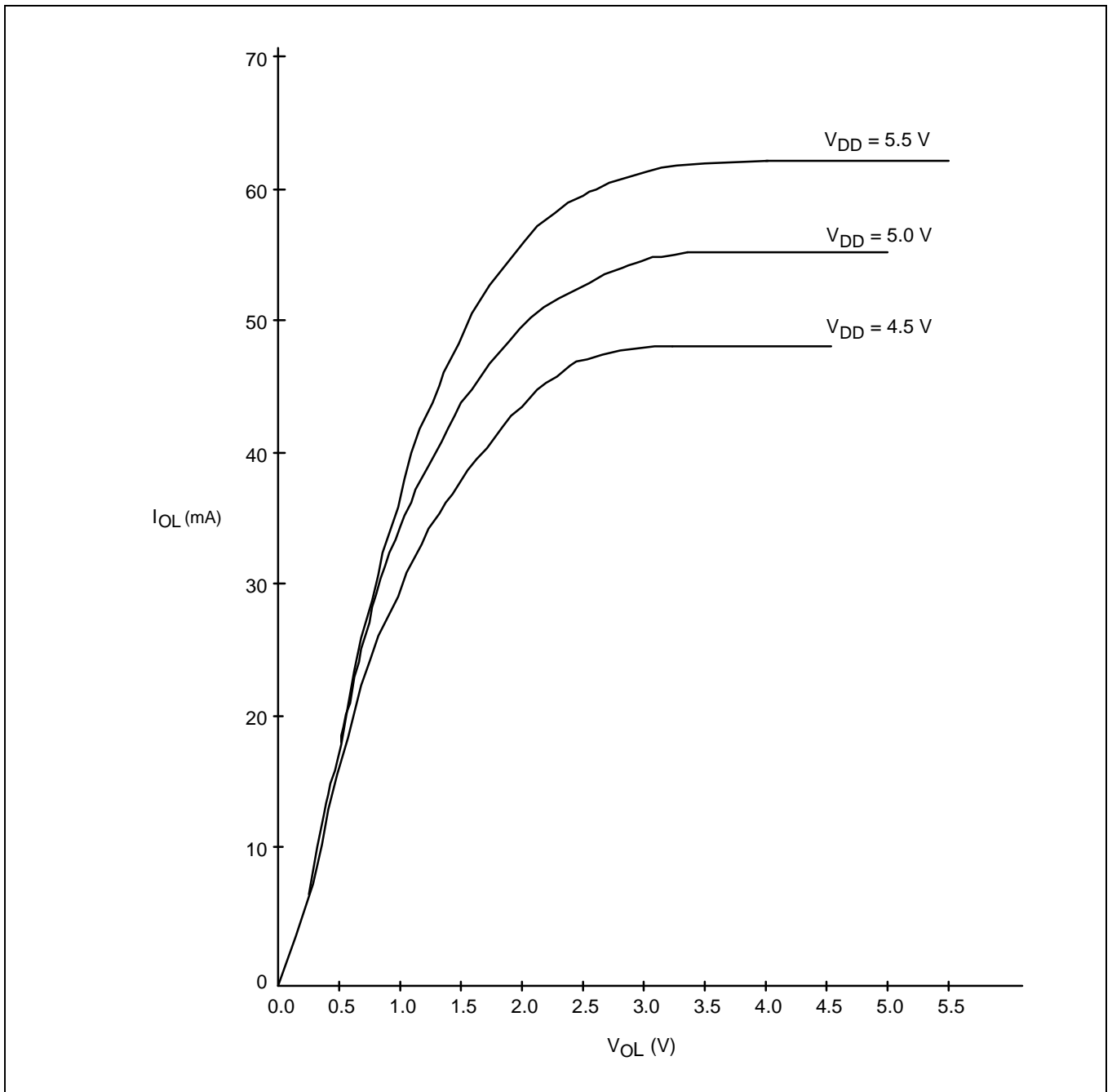


Figure 13-6. I_{OL} vs. V_{OL} (P0, TA = 25 °C)

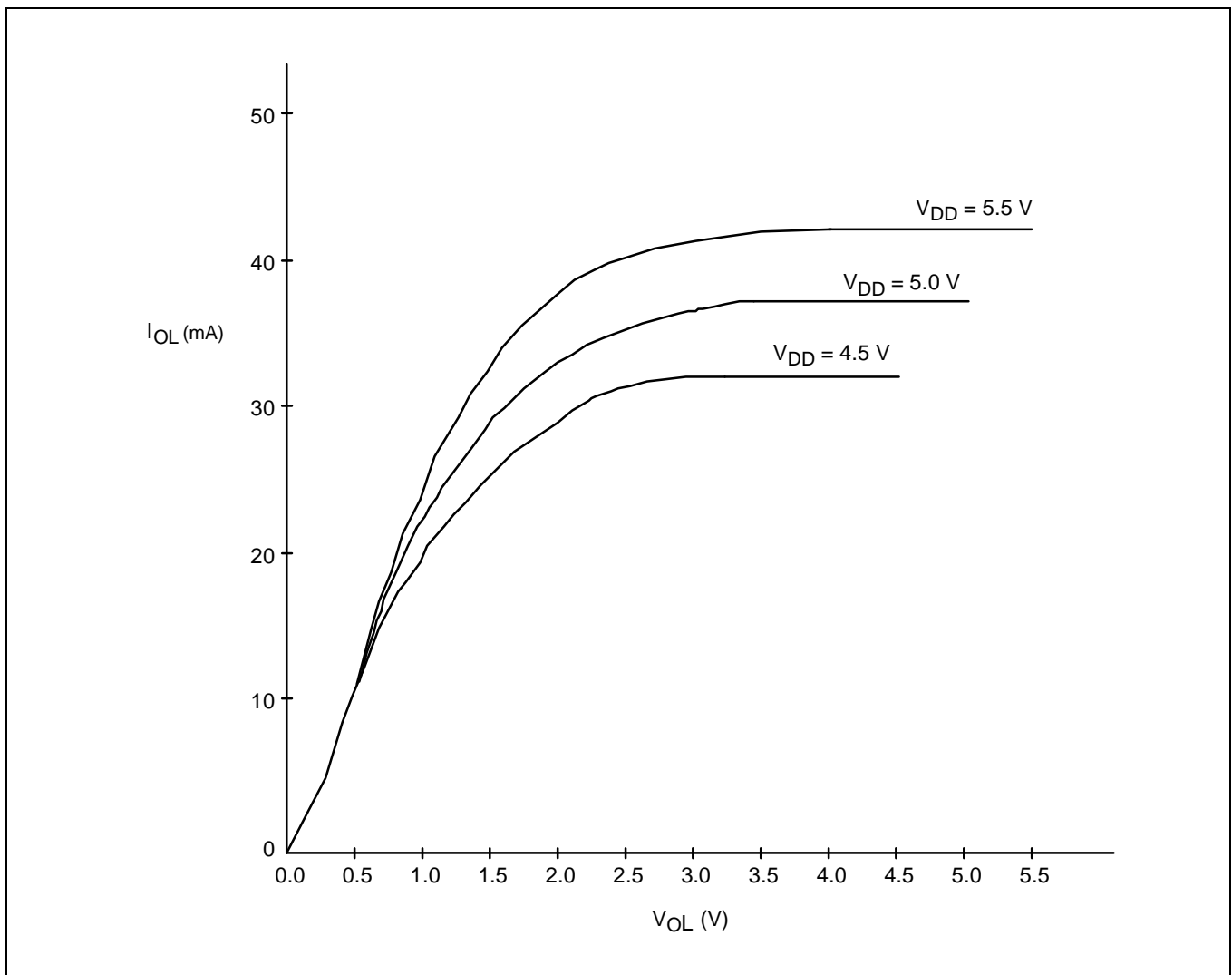


Figure 13-7. I_{OL} vs. V_{OL} (P1-P3, $T_A = 25\text{ }^\circ\text{C}$)

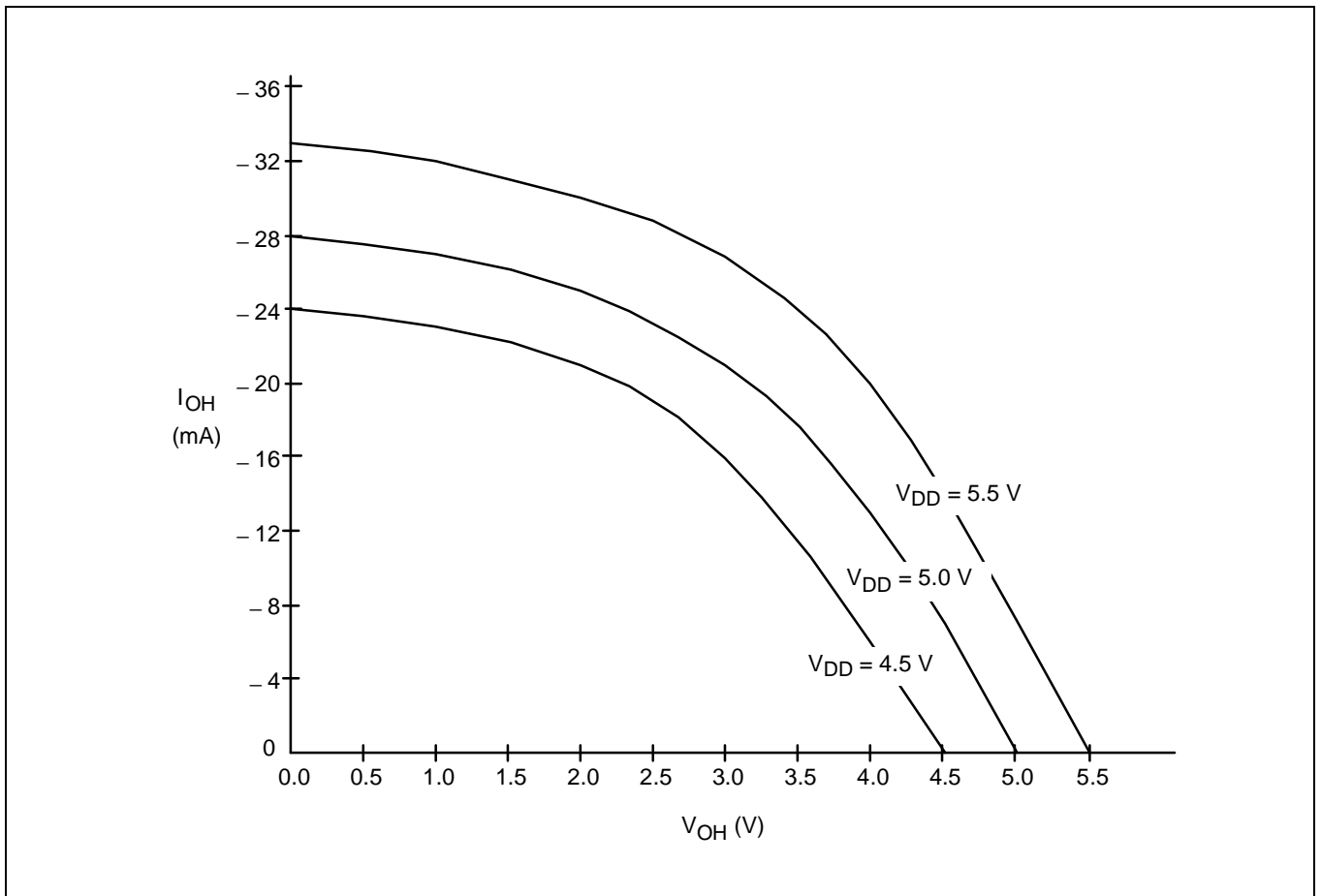


Figure 13-8. I_{OH} vs. V_{OH} (P0, $T_A = 25\text{ }^\circ\text{C}$)

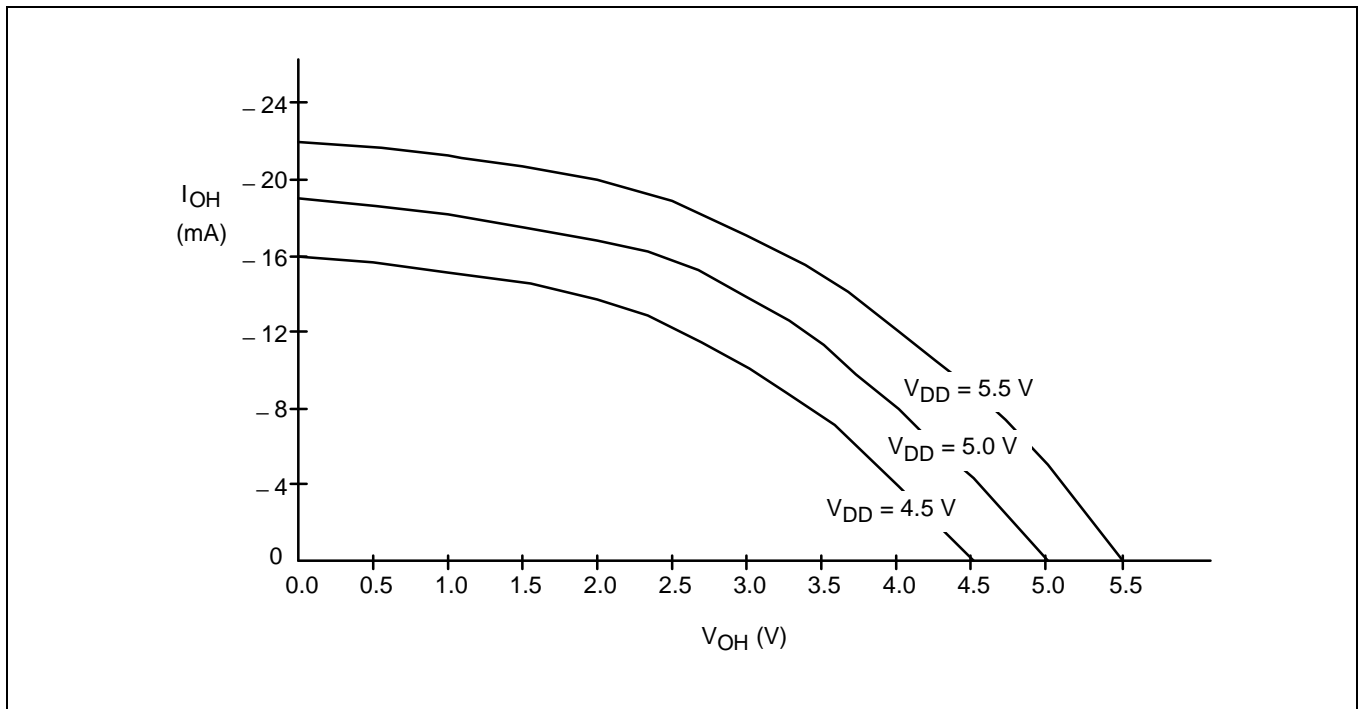


Figure 13-9. I_{OH} vs. V_{OH} (P1-P3, $T_A = 25$ °C)

14 MECHANICAL DATA

OVERVIEW

The S3C9404/C9414 is available in a 30-pin SDIP package (Samsung: 30-SDIP-400) and a 32-pin SOP package (32-SOP-450A), a 24-pin SDIP package (24-SDIP-300) and a 24-pin SOP package (24-SOP-375). Package dimensions are shown in Figures 14-1, 14-2, 14-3, and 14-4.

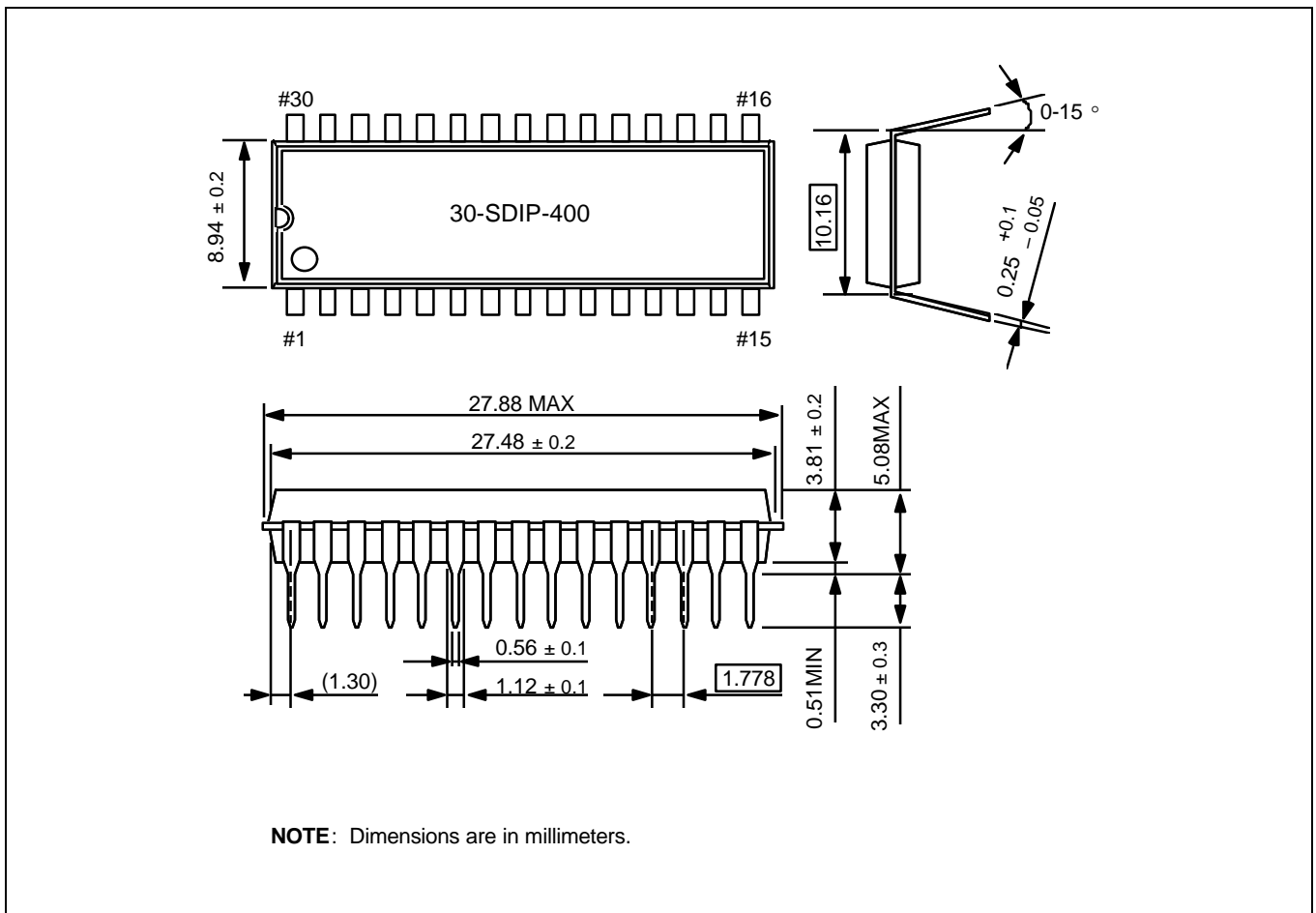


Figure 14-1. 30-Pin SDIP Package Dimensions

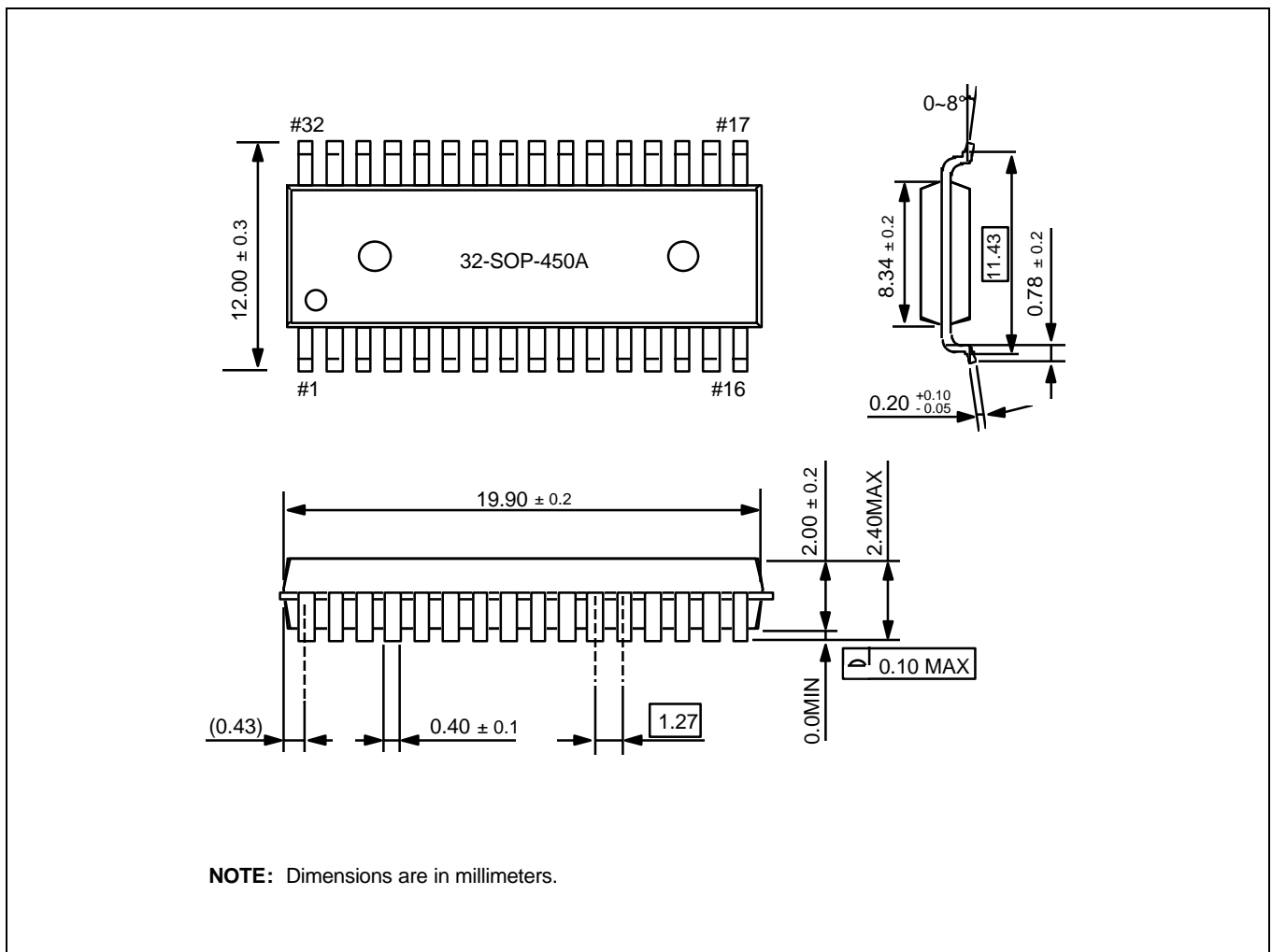


Figure 14-2. 32-SOP-450A Package Dimensions

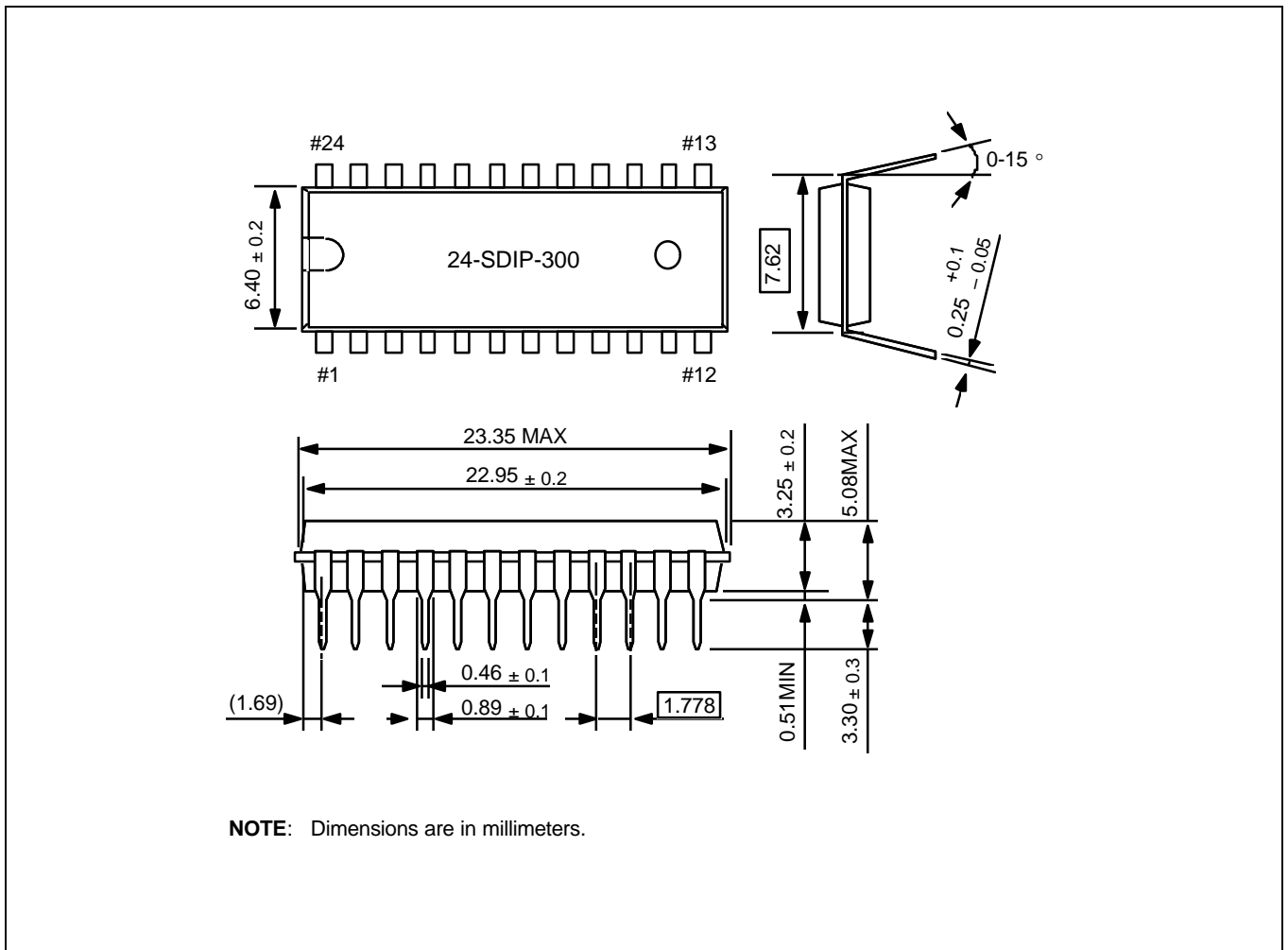
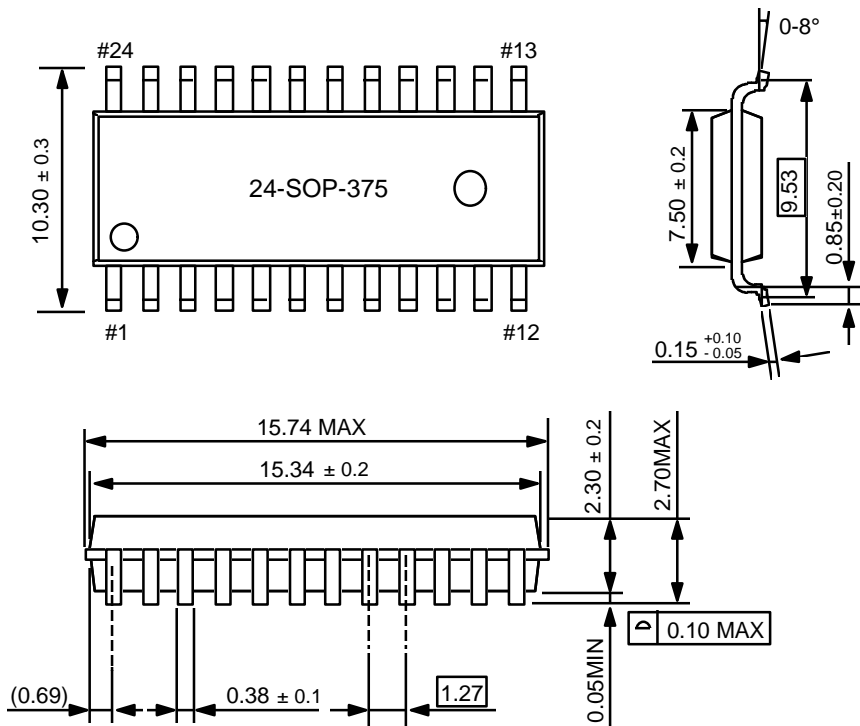


Figure 14-3. 24-SDIP-300 Package Dimensions



NOTE: Dimensions are in millimeters.

Figure 14-4. 24-SOP-375 Package Dimensions

15

S3P9404/P9414 OTP

OVERVIEW

The S3P9404/P9414 single-chip CMOS microcontroller is the OTP (One Time Programmable) version of the S3C9404/C9414 microcontroller. It has an on-chip OTP ROM instead of masked ROM. The EPROM is accessed by serial data format.

The S3P9404/P9414 is fully compatible with the S3C9404/C9414, both in function and in pin configuration. Because of its simple programming requirements, the S3P9404/P9414 is ideal for use as an evaluation chip for the S3C9404/C9414.

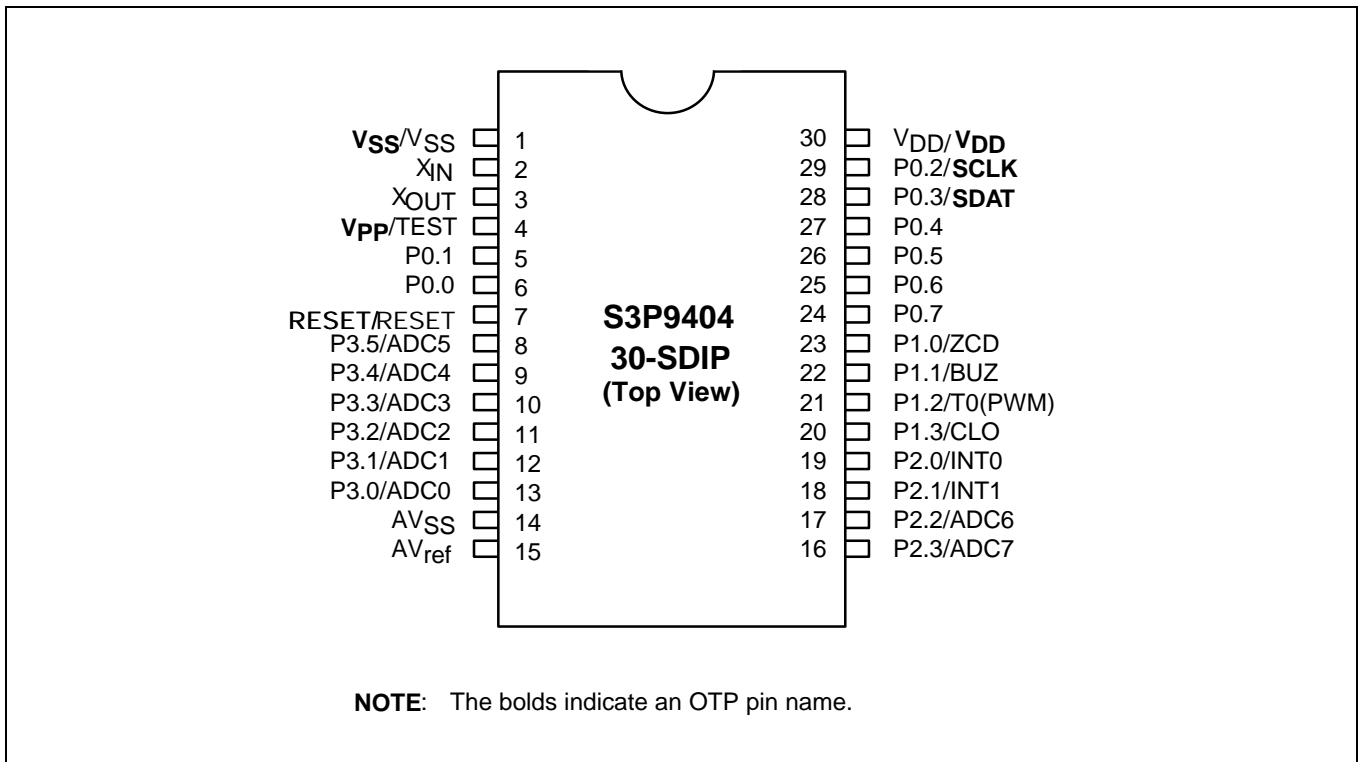


Figure 15-1. Pin Assignment Diagram (30-Pin SDIP Package)

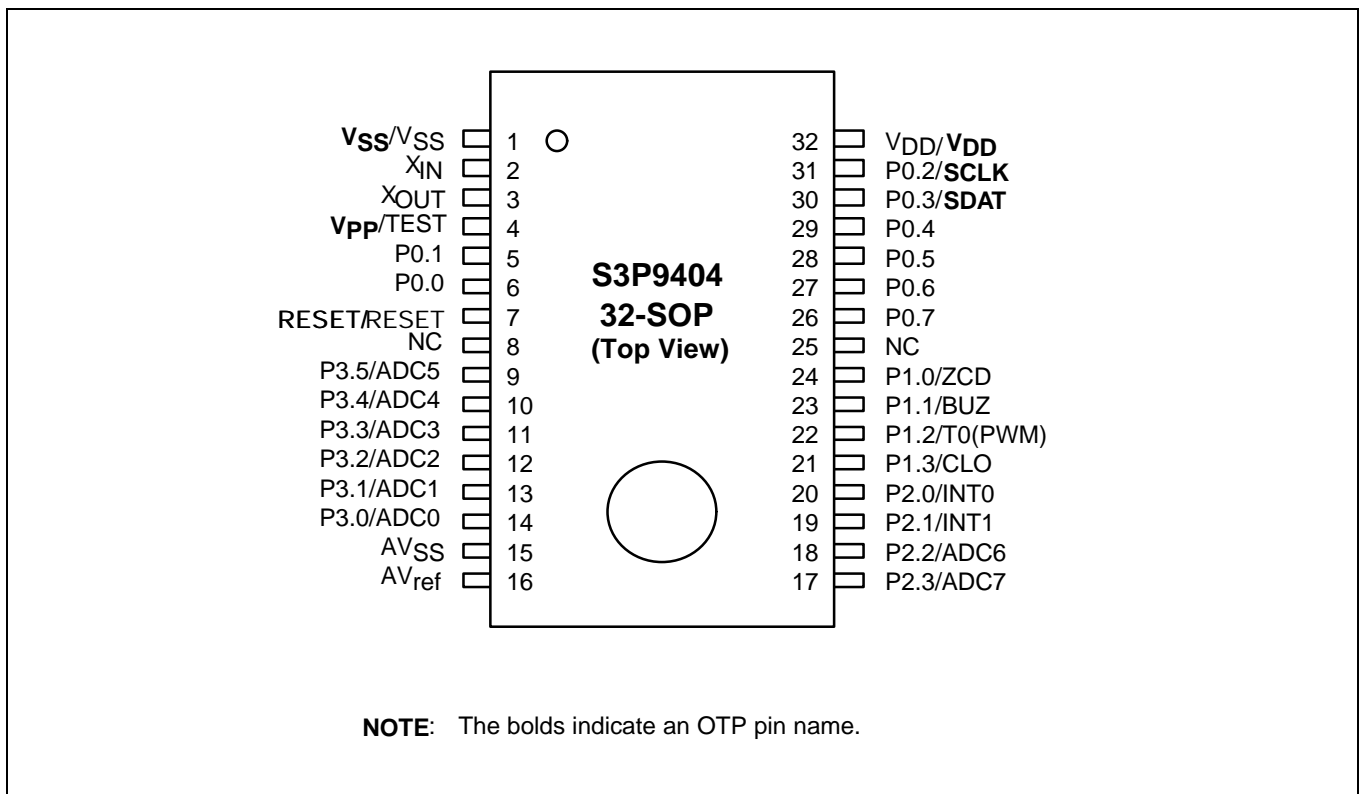


Figure 15-2. Pin Assignment Diagram (32-Pin SOP Package)

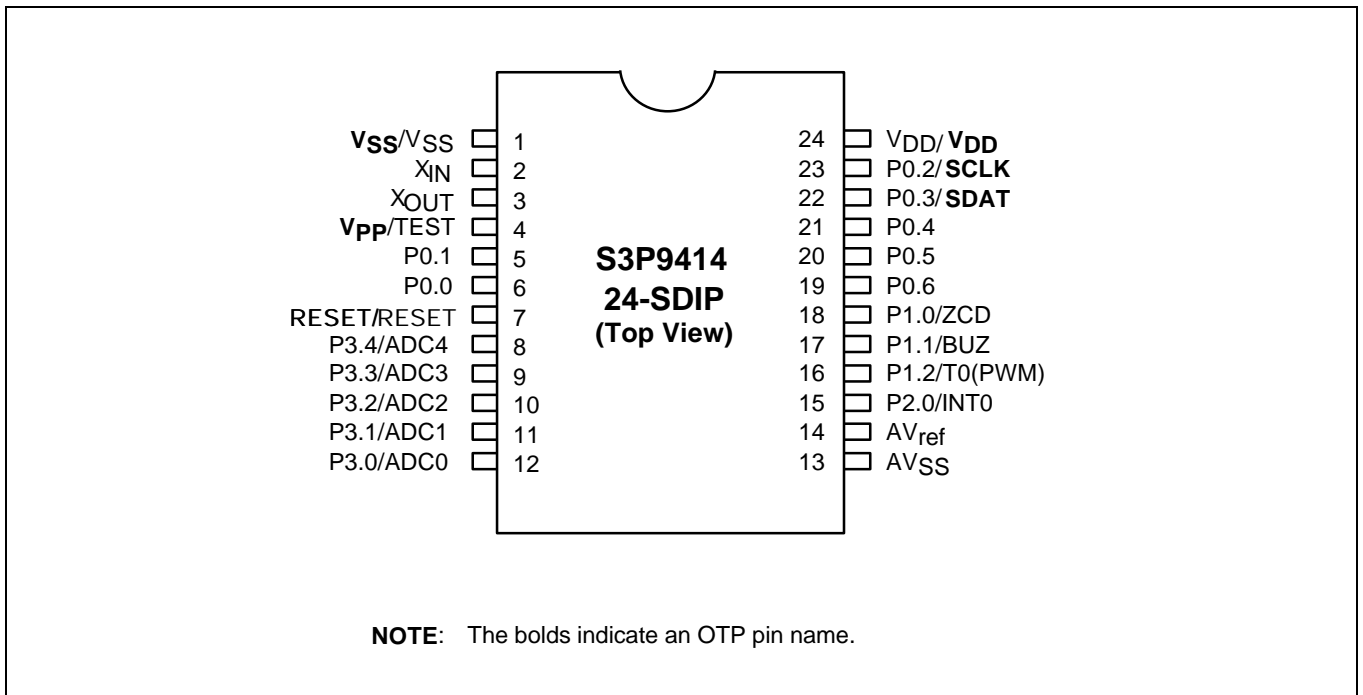


Figure 15-3. Pin Assignment Diagram (24-Pin SDIP Package)

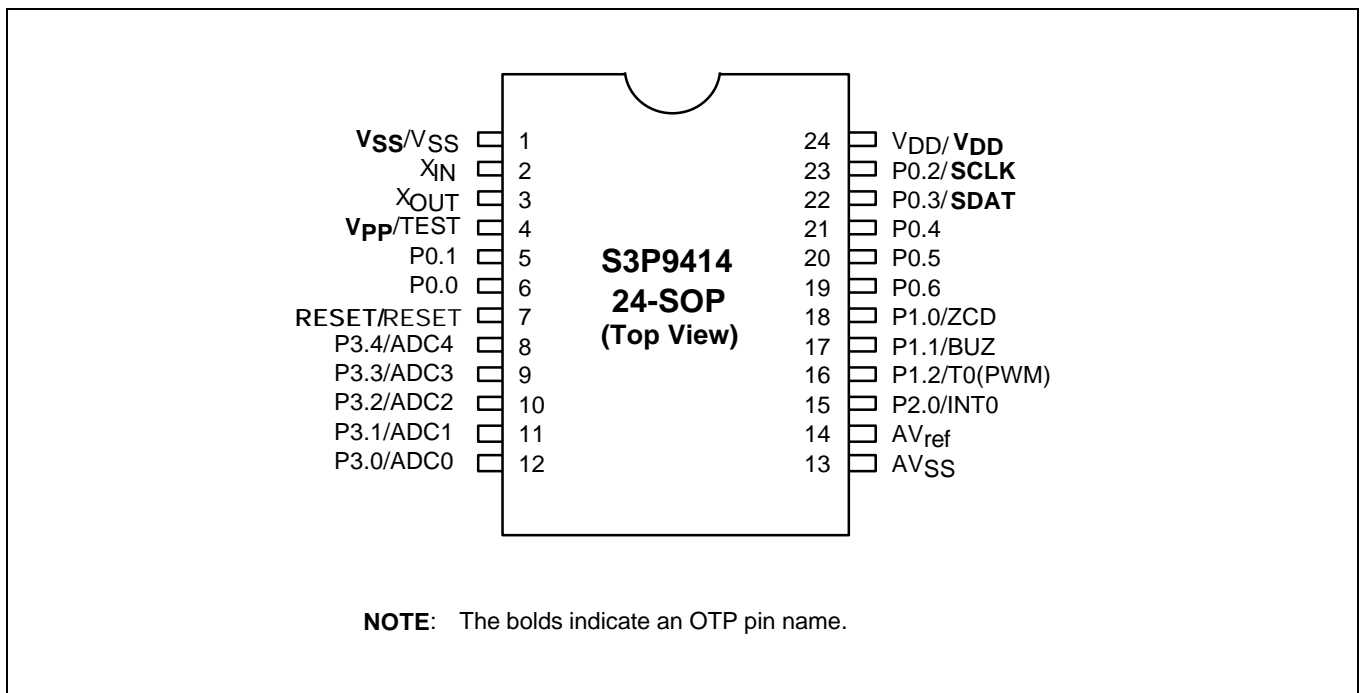


Figure 15-4. Pin Assignment Diagram (24-Pin SOP Package)

Table 15-1. Descriptions of Pins Used to Read/Write the EPROM

Main Chip Pin Name	During Programming			
	Pin Name	Pin No.	I/O	Function
P0.3	SDAT	S3P9404: 28 (30) S3P9414: 22 (22)	I/O	Serial data pin (output when reading, Input when writing) Input and push-pull output port can be assigned
P0.2	SCLK	S3P9404: 29 (31) S3P9414: 23 (23)	I/O	Serial clock pin (input only pin)
TEST	V _{PP} (TEST)	4	I	Power supply pin for EPROM cell writing (indicates that OTP enters into the writing mode). When 12.5 V is applied, OTP is in writing mode and when 5 V is applied, OTP is in reading mode. (Option)
RESET	RESET	7	I	Chip Initialization
V _{DD} /V _{SS}	V _{DD} /V _{SS}	S3P9404: 30 (32) / 1 S3P9414: 24 (24) / 1	I	Logic power supply pin.

NOTE: () means the SOP OTP pin number.

Table 15-2. Comparison of S3P9404/P9414 and S3C9404/C9414 Features

Characteristic	S3P9404/P9414	S3C9404/C9414
Program Memory	4-Kbyte EPROM	4-Kbyte mask ROM
Operating Voltage (V _{DD})	2.7 V to 5.5 V	2.7 V to 5.5 V
OTP Programming Mode	V _{DD} = 5 V, V _{PP} (TEST) = 12.5 V	
Pin Configuration	30 SDIP/32 SOP/24 SDIP/24 SOP	
EPROM Programmability	User Program 1 time	Programmed at the factory

OPERATING MODE CHARACTERISTICS

When 12.5 V is supplied to the V_{PP} (TEST) pin of the S3P9404/P9414, the EPROM programming mode is entered. The operating mode (read, write, or read protection) is selected according to the input signals to the pins listed in Table 15-3 below.

Table 15-3. Operating Mode Selection Criteria

V _{DD}	V _{PP} (TEST)	REG/MEM	ADDRESS (A15-A0)	R/W	MODE
5 V	5 V	0	0000H	1	EPROM read
	12.5 V	0	0000H	0	EPROM program
	12.5 V	0	0000H	1	EPROM verify
	12.5 V	1	0E3FH	0	EPROM read protection

NOTE: "0" means Low level; "1" means High level.

NOTES