

# **S3CK225/FK225**

**CalmRISC 8-Bit CMOS  
MICROCONTROLLER  
USER'S MANUAL**

**Revision 1**



**ELECTRONICS**

# Important Notice

The information in this publication has been carefully checked and is believed to be entirely accurate at the time of publication. Samsung assumes no responsibility, however, for possible errors or omissions, or for any consequences resulting from the use of the information contained herein.

Samsung reserves the right to make changes in its products or product specifications with the intent to improve function or design at any time and without notice and is not required to update this documentation to reflect such changes.

This publication does not convey to a purchaser of semiconductor devices described herein any license under the patent rights of Samsung or others.

Samsung makes no warranty, representation, or guarantee regarding the suitability of its products for any particular purpose, nor does Samsung assume any liability arising out of the application or use of any product or circuit and specifically disclaims any and all liability, including without limitation any consequential or incidental damages.

**S3CK225/FK225 8-Bit CMOS Microcontroller  
User's Manual, Revision 1  
Publication Number: 21-S3-CK225/FK225-032003**

© 2003 Samsung Electronics

All rights reserved. No part of this publication may be reproduced, stored in a retrieval system, or transmitted in any form or by any means, electric or mechanical, by photocopying, recording, or otherwise, without the prior written consent of Samsung Electronics.

*Samsung Electronics' microcontroller business has been awarded full ISO-14001 certification (BVQ1 Certificate No. 9330). All semiconductor products are designed and manufactured in accordance with the highest quality standards and objectives.*

Samsung Electronics Co., Ltd.  
San #24 Nongseo-Ri, Giheung- Eup  
Yongin-City, Gyeonggi-Do, Korea  
C.P.O. Box #37, Suwon 449-900

TEL: (82)-(331)-209-1907  
FAX: (82)-(331)-209-1889  
Home-Page URL: [Http://www.samsungsemi.com/](http://www.samsungsemi.com/)

Printed in the Republic of Korea

"Typical" parameters can and do vary in different applications. All operating parameters, including "Typicals" must be validated for each customer application by the customer's technical experts.

Samsung products are not designed, intended, or authorized for use as components in systems intended for surgical implant into the body, for other applications intended to support or sustain life, or for any other application in which the failure of the Samsung product could create a situation where personal injury or death may occur.

Should the Buyer purchase or use a Samsung product for any such unintended or unauthorized application, the Buyer shall indemnify and hold Samsung and its officers, employees, subsidiaries, affiliates, and distributors harmless against all claims, costs, damages, expenses, and reasonable attorney fees arising out of, either directly or indirectly, any claim of personal injury or death that may be associated with such unintended or unauthorized use, even if such claim alleges that Samsung was negligent regarding the design or manufacture of said product.





# Table of Contents

## Part I — Programming Model

### Chapter 1 Product Overview

Overview .....	1-1
Features .....	1-5
Block Diagram .....	1-7
Pin Assignment.....	1-8
Pin Descriptions.....	1-9
Pin Circuits .....	1-11

### Chapter 2 Address Spaces

Overview .....	2-1
Program Memory (ROM) .....	2-1
ROM Code Option (RCOD_OPT) .....	2-4
Data Memory Organization .....	2-6

### Chapter 3 Register

Overview .....	3-1
Index Registers: IDH, IDL0 And IDL1.....	3-2
Link Registers: ILX, ILH AND ILL.....	3-2
Status Register 0: SR0 .....	3-3
Status Register 1: SR1 .....	3-4

### Chapter 4 Memory Map

Overview .....	4-1
----------------	-----

## Table of Contents (Continued)

### Chapter 5 Hardware Stack

Overview .....	5-1
----------------	-----

### Chapter 6 Exceptions

Overview .....	6-1
Hardware Reset.....	6-1
IRQ[0] Exception .....	6-2
IRQ[1] Exception (Level-Sensitive).....	6-2
Hardware Stack Full Exception.....	6-2
Break Exception .....	6-2
Exceptions (Or Interrupts).....	6-3
Interrupt Mask Registers.....	6-5
Interrupt Priority Register.....	6-6

### Chapter 7 Instruction Set

Overview .....	7-1
Glossary .....	7-1
Instruction Set Map .....	7-2
Quick Reference .....	7-9
Instruction Group Summary .....	7-12
ALU Instructions .....	7-12
Shift/Rotate Instructions.....	7-16
Load Instructions .....	7-18
Branch Instructions .....	7-21
Bit Manipulation Instructions.....	7-25
Miscellaneous Instruction.....	7-26
PSEUDO Instructions .....	7-29

# Table of Contents (Continued)

## Part II — Hardware Descriptions

### Chapter 8 Clock Circuit

System Clock Circuit .....	8-1
----------------------------	-----

### Chapter 9 Reset and Power-Down

Overview .....	9-1
----------------	-----

### Chapter 10 I/O Ports

Port 0.....	10-1
Port 1.....	10-2
Port 2.....	10-3
Port 3.....	10-4
Port 4.....	10-5
Port 5.....	10-6
Port 6.....	10-7
Port 7.....	10-7

### Chapter 11 Basic Timer/Watchdog Timer

Overview .....	11-1
Block Diagram.....	11-2

### Chapter 12 Watch Timer

Overview .....	12-1
Watch Timer Circuit Diagram .....	12-2

### Chapter 13 16-Bit Timer 0

Overview.....	13-1
Function Description.....	13-2
Timer 0 Control Register (T0CON) .....	13-3
Block Diagram.....	13-4

## Table of Contents (Continued)

### Chapter 14      16-Bit Timer 1

Overview .....	14-1
Function Description .....	14-1
Timer 1 Control Register (T1CON) .....	14-2
Block Diagram .....	14-3

### Chapter 15      8-Bit Timer 2

Overview .....	15-1
Function Description .....	15-2
Timer 2 Control Register (T2CON) .....	15-3
Block Diagram .....	15-4

### Chapter 16      8-Bit Timer 3

Overview .....	16-1
Timer 3 Pulse Width Calculations .....	16-4

### Chapter 17      Serial I/O Interface

Overview .....	17-1
SIO Control Register (SIOCON) .....	17-2
SIO Pre-Scaler Register (SIOPS) .....	17-2
Block Diagram .....	17-3
Serial I/O Timing Diagram .....	17-4



## Table of Contents (Continued)

### Chapter 18 LCD Controller/Driver

Overview .....	18-1
LCD Circuit Diagram .....	18-2
LCD RAM Address Area .....	18-3
LCD Control Register (LCON, 60H) .....	18-4
LCD Port Control Registers (LPOT1, LPOT2) .....	18-7
LCD Voltage Dividing Resistors .....	18-8
LCD COM/SEG Signals .....	18-9

### Chapter 19 10-Bit Analog to Digital Converter

Overview .....	19-1
Function Description .....	19-1
Conversion Timing .....	19-2
A/D Converter Control Register (ADCON) .....	19-2
Internal Reference Voltage Levels .....	19-3
Block Diagram .....	19-3

### Chapter 20 D/A Converter

Overview .....	20-1
Function Description .....	20-1
D/A Converter Data Register (DADATAH/DADATAL) .....	20-3

### Chapter 21 Operational Amplifier

Overview .....	21-1
OP AMP Control Register (OPCON) .....	21-1

# Table of Contents (Continued)

## Chapter 22 Electrical Data

Overview .....	22-1
----------------	------

## Chapter 23 Mechanical Data

Overview .....	23-1
----------------	------

## Chapter 24 S3FK225 Flash MCU

Overview .....	24-1
----------------	------

## Chapter 25 Development Tools

Overview .....	25-1
CALMSHINE: IDE (Integrated Development Environment) .....	25-1
Invisible MDS: In-Circuit Emulator .....	25-1
CALMRISC8 C-Compiler: CALM8CC .....	25-1
CALMRISC8 Relocatable Assembler: CALM8ASM .....	25-1
CALMRISC8 Linker: CALM8LINK .....	25-1
Emulation Probe Board Configuration .....	25-2
External Event Input Headers .....	25-3
Event Match Output Headers .....	25-3
External Break Input Headers .....	25-3
Power Selection .....	25-4
Clock Selection .....	25-4
VREF Selection .....	25-5
Use Clock Setting For External Clock Mode .....	25-5
Sub Clock Setting .....	25-5
JP1, JP2 Pin Assignment .....	25-6

# List of Figures

Figure Number	Title	Page Number
1-1	Top Block Diagram.....	1-2
1-2	CalmRISC Pipeline Diagram .....	1-3
1-3	CalmRISC Pipeline Stream Diagram.....	1-4
1-4	Block Diagram.....	1-7
1-5	Pin Assignment (64-QFP).....	1-8
1-6	Pin Circuit Type B (RESET) .....	1-11
1-7	Pin Circuit Type D-3 (P7).....	1-11
1-8	Pin Circuit Type C .....	1-11
1-9	Pin Circuit Type D-4 (P0).....	1-11
1-10	Pin Circuit Type E-4 (P1).....	1-12
1-11	Pin Circuit Type F-10 (P5).....	1-12
1-12	Pin Circuit Type H-4 .....	1-13
1-13	Pin Circuit Type H-14 (P2, P3, P4, P6).....	1-13
2-1	Program Memory Organization.....	2-1
2-2	Relative Jump Around Page Boundary .....	2-2
2-3	Program Memory Layout .....	2-3
2-4	ROM Code Option (RCOD_OPT) .....	2-5
2-5	Data Memory Map of CalmRISC8 .....	2-6
2-6	Data Memory Map of S3CK225 .....	2-7
3-1	Bank Selection by Setting of GRB Bits and IDB Bit.....	3-3
4-1	Memory Map Area.....	4-1
5-1	Hardware Stack.....	5-1
5-2	Even and Odd Bank Selection Example .....	5-2
5-3	Stack Operation with PC [19:0].....	5-3
5-4	Stack Operation with Registers.....	5-4
5-5	Stack Overflow.....	5-5
6-1	Interrupt Structure .....	6-3
6-2	Interrupt Structure .....	6-4
6-3	Interrupt Mask Register .....	6-5
6-4	Interrupt Priority Register.....	6-6

## List of Figures (Continued)

Figure Number	Title	Page Number
8-1	Main Oscillator Circuit (Crystal or Ceramic Oscillator).....	8-1
8-2	Main Oscillator Circuit (RC Oscillator).....	8-2
8-3	Sub Oscillator Circuit (Crystal or Ceramic Oscillator).....	8-2
8-4	System Clock Circuit Diagram .....	8-3
8-5	Power Control Register (PCON) .....	8-4
8-6	Oscillator Control Register (OSCCON) .....	8-4
8-7	Main Oscillator Clock Output Functional Block Diagram .....	8-5
8-8	Main Oscillator Clock Output Control Register (CLOCON).....	8-5
10-1	Port 0 Control Register (P0CON).....	10-1
10-2	Port 1 Control Register (P1CON).....	10-2
10-3	Port 1 Pull-Up Control Register (P1PUR).....	10-2
10-4	Port 2 High-Byte Control Register (P2CONH) .....	10-3
10-5	Port 2 Low-Byte Control Register (P2CONL).....	10-3
10-6	Port 3 High-Byte Control Register (P3CONH) .....	10-4
10-7	Port 3 Low-Byte Control Register (P3CONL).....	10-4
10-8	Port 4 High-Byte Control Register (P4CONH) .....	10-5
10-9	Port 4 Low-Byte Control Register (P4CONL).....	10-5
10-10	Port 5 High-Byte Control Register (P5CONH) .....	10-6
10-11	Port 5 Low-Byte Control Register (P5CONL).....	10-6
10-12	Port 6 Control Register (P6CON).....	10-7
10-13	Port 7 Control Register (P7CON).....	10-7
11-1	Watchdog Timer Control Register (WDTCON) .....	11-1
11-2	Basic Timer & Watchdog Timer Functional Block Diagram .....	11-2
12-1	Watch Timer Circuit Diagram .....	12-2
13-1	Timer 0 Control Register (T0CON) .....	13-3
13-2	Timer 0 Functional Block Diagram.....	13-4
13-3	Timer 0 Counter and Data Registers (T0CNTH/L, T0DATAH/L).....	13-5
14-1	Timer 1 Control Register (T1CON) .....	14-2
14-2	Timer 1 Functional Block Diagram.....	14-3
14-3	Timer 1 Counter Register (T1CNTH/L).....	14-4
14-4	Timer 1 Data Register (T1DATAH/L) .....	14-4
15-1	Timer 2 Control Register (T2CON) .....	15-3
15-2	Timer 2 Functional Block Diagram.....	15-4

## List of Figures (Continued)

Figure Number	Number	Title	Page
16-1		Timer 3 Functional Block Diagram.....	16-2
16-2		Timer 3 Control Register (T3CON) .....	16-3
16-3		Timer 3 Data Registers (T3DATAH/L).....	16-3
16-4		Timer 3 Output Flip-Flop Waveforms in Repeat Mode.....	16-5
17-1		Serial I/O Module Control Registers (SIOCON) .....	17-2
17-2		SIO Pre-scaler Register (SIOPS).....	17-2
17-3		SIO Function Block Diagram .....	17-3
17-4		Serial I/O Timing in Transmit/Receive Mode(Tx at falling, SIOCON.4=0) .....	17-4
17-5		Serial I/O Timing in Transmit/Receive Mode(Tx at rising, SIOCON.4=1) .....	17-4
18-1		LCD Function Diagram .....	18-1
18-2		LCD Circuit Diagram .....	18-2
18-3		LCD Display Data RAM Organization .....	18-3
18-4		LCD Port Control Resister1 (LPOT1) .....	18-7
18-5		LCD Port Control Resister2 (LPOT2) .....	18-7
18-6		Internal Voltage Dividing Resistor Connection .....	18-8
18-7		Select/No-Select Bias Signals in Static Display Mode.....	18-9
18-8		Select/No-Select Bias Signals in 1/2 Duty, 1/2 Bias Display Mode .....	18-10
18-9		Select/No-Select Bias Signals in 1/3 Duty, 1/3 Bias Display Mode .....	18-10
18-10		LCD Signal and Wave Forms Example in 1/2 Duty, 1/2 Bias Display Mode.....	18-11
18-11		LCD Signals and Wave Forms Example in 1/3 Duty, 1/3 Bias Display Mode .....	18-12
18-12		LCD Signals and Wave Forms Example in 1/4 Duty, 1/3 Bias Display Mode .....	18-13
19-1		A/D Converter Control Register (ADCON) .....	19-2
19-2		A/D Converter Data Register (ADDATAH/ADDATAL) .....	19-3
19-3		A/D Converter Functional Block Diagram .....	19-3
19-4		Recommended A/D Converter Circuit for Highest Absolute Accuracy .....	19-4
20-1		DAC Circuit Diagram .....	20-2
20-2		Digital to Analog Converter Control Register (DACON).....	20-2
20-3		D/A Converter Data Register (DADATAH/DADATAL) .....	20-3

## List of Figures (Continued)

Figure Number	Number	Title	Page
21-1		OP AMP Control Register (OPCON).....	21-1
21-2		OP AMP Block Diagram .....	21-2
22-1		Input Timing for External Interrupts (Port 0) .....	22-4
22-2		Input Timing for RESET .....	22-4
22-3		Stop Mode Release Timing When Initiated by a RESET .....	22-5
22-4		Stop Mode Release Timing Initiated by Interrupts .....	22-6
22-5		Serial Data Transfer Timing .....	22-8
22-6		Clock Timing Measurement at $X_{IN}$ .....	22-10
22-7		Clock Timing Measurement at $XT_{IN}$ .....	22-10
22-8		Operating Voltage Range .....	22-12
23-1		64-Pin QFP Package Dimensions (64-QFP-1420F) .....	23-1
24-1		S3FK225 Pin Assignments (64-QFP-1420F).....	24-2
25-1		Emulation Probe Board Configuration.....	25-2

# List of Tables

Table Number	Title	Page Number
1-1	Pin Descriptions .....	1-9
3-1	General and Special Purpose Registers.....	3-1
3-2	Status Register 0 configuration.....	3-3
3-3	Status Register 1: SR1 .....	3-4
4-1	Registers .....	4-2
6-1	Exceptions.....	6-1
7-1	Instruction Notation Conventions .....	7-1
7-2	Overall Instruction Set Map .....	7-2
7-3	Instruction Encoding .....	7-4
7-4	Index Code Information (“idx”).....	7-7
7-5	Index Modification Code Information (“mod”).....	7-7
7-6	Condition Code Information (“cc”).....	7-7
7-7	“ALUop1” Code Information.....	7-8
7-8	“ALUop2” Code Information.....	7-8
7-9	“MODop1” Code Information .....	7-8
12-1	Watch Timer Control Register (WTCON): 8-Bit R/W .....	12-1
18-1	LCD Control Register (LCON) Organization.....	18-4
18-2	Relationship of LCON.0 and LMOD.3 Bit Settings .....	18-4
18-3	LCD Clock Signal (LCDCK) Frame Frequency.....	18-5
18-4	LCD Mode Control Register (LMOD) Organization, 4CH.....	18-6
18-5	Maximum Number of Display Digits per Duty Cycle.....	18-6
20-1	DADATA Setting to Generate Analog Voltage .....	20-3

## List of Tables (Continued)

Table Number	Title	Page Number
22-1	Absolute Maximum Ratings .....	22-1
22-2	D.C. Electrical Characteristics .....	22-1
22-3	A.C. Electrical Characteristics.....	22-4
22-4	Input/Output Capacitance .....	22-5
22-5	Data Retention Supply Voltage in Stop Mode .....	22-5
22-6	A/D Converter Electrical Characteristics .....	22-7
22-7	D/A Converter Electrical Characteristics .....	22-7
22-8	Synchronous SIO Electrical Characteristics .....	22-8
22-9	Main Oscillator Frequency ( $f_{OSC1}$ ) .....	22-9
22-10	Main Oscillator Clock Stabilization Time ( $T_{ST1}$ ) .....	22-9
22-11	Sub Oscillator Frequency ( $f_{OSC2}$ ).....	22-10
22-12	Sub Oscillator (Crystal) Start up Time ( $t_{ST2}$ ) .....	22-11
22-13	OP Amplifier Characteristics.....	22-11
24-1	Descriptions of Pins Used to Read/Write the FLASH ROM .....	24-3



# List of Programming Tips

Description	Page Number
<b>Chapter 6: Exceptions</b>	
Interrupt Programming Tip 1 .....	6-7
Interrupt Programming Tip 2 .....	6-8
<b>Chapter 16: 8-Bit Timer 3</b>	
To generate 38 kHz, 1/3duty signal through P7.2.....	16-6
To generate a one pulse signal through P7.2.....	16-7



# List of Instruction Descriptions

Instruction Mnemonic	Full Instruction Name	Page Number
ADC	Add with Carry .....	7-30
ADD	Add.....	7-31
AND	Bit-wise AND.....	7-32
AND SR0	Bit-wise AND with SR0.....	7-33
BANK	Bank Selection.....	7-34
BITC	Bit Complement.....	7-35
BITR	Bit Reset.....	7-36
BITS	Bit Set.....	7-37
BITT	Bit Test.....	7-38
BMC/BMS	TF bit clear/set.....	7-39
CALL	Conditional subroutine call (Pseudo Instruction) .....	7-40
CALLS	Call Subroutine .....	7-41
CLD	Load into Coprocessor .....	7-42
CLD	Load from Coprocessor.....	7-43
COM	1's or Bit-wise Complement.....	7-44
COM2	2's Complement.....	7-45
COMC	Bit-wise Complement with Carry .....	7-46
COP	Coprocessor.....	7-47
CP	Compare.....	7-48
CPC	Compare with Carry .....	7-49
DEC	Decrement .....	7-50
DECC	Decrement with Carry .....	7-51
DI	Disable Interrupt (Pseudo Instruction) .....	7-52
EI	Enable Interrupt (Pseudo Instruction) .....	7-53
IDLE	Idle Operation (Pseudo Instruction) .....	7-54
INC	Increment.....	7-55
INCC	Increment with Carry.....	7-56
IRET	Return from Interrupt Handling.....	7-57
JNZD	Jump Not Zero with Delay Slot.....	7-58
JP	Conditional Jump (Pseudo Instruction) .....	7-59
JR	Conditional Jump Relative .....	7-60
LCALL	Conditional Subroutine Call.....	7-61
LD adr:8	Load into Memory .....	7-62

## List of Instruction Descriptions (Continued)

Instruction Mnemonic	Full Instruction Name	Page Number
LD @idm	Load into Memory Indexed.....	7-63
LD	Load Register.....	7-64
LD	Load GPR:bankd, GPR:banks.....	7-65
LD	Load GPR, TBH/TBL.....	7-66
LD	Load TBH/TBL, GPR.....	7-67
LD SPR	Load SPR.....	7-68
LD SPRO	Load SPRO Immediate.....	7-69
LDC	Load Code.....	7-70
LJP	Conditional Jump.....	7-71
LLNK	Linked Subroutine Call Conditional.....	7-72
LNK	Linked Subroutine Call (Pseudo Instruction).....	7-73
LNKS	Linked Subroutine Call.....	7-74
LRET	Return from Linked Subroutine Call.....	7-75
NOP	No Operation.....	7-76
OR	Bit-wise OR.....	7-77
OR SR0	Bit-wise OR with SR0.....	7-78
POP	POP.....	7-79
POP	POP to Register.....	7-80
PUSH	Push Register.....	7-81
RET	Return from Subroutine.....	7-82
RL	Rotate Left.....	7-83
RLC	Rotate Left with Carry.....	7-84
RR	Rotate Right.....	7-85
RRC	Rotate Right with Carry.....	7-86
SBC	Subtract with Carry.....	7-87
SL	Shift Left.....	7-88
SLA	Shift Left Arithmetic.....	7-89
SR	Shift Right.....	7-90
SRA	Shift Right Arithmetic.....	7-91
STOP	Stop Operation (Pseudo Instruction).....	7-92
SUB	Subtract.....	7-93
SWAP	Swap.....	7-94
SYS	System.....	7-95
TM	Test Multiple Bits.....	7-96
XOR	Exclusive OR.....	7-97

# 1 PRODUCT OVERVIEW

## OVERVIEW

The S3CK225/FK225 single-chip CMOS microcontroller is designed for high performance using Samsung's new 8-bit CPU core, CalmRISC.

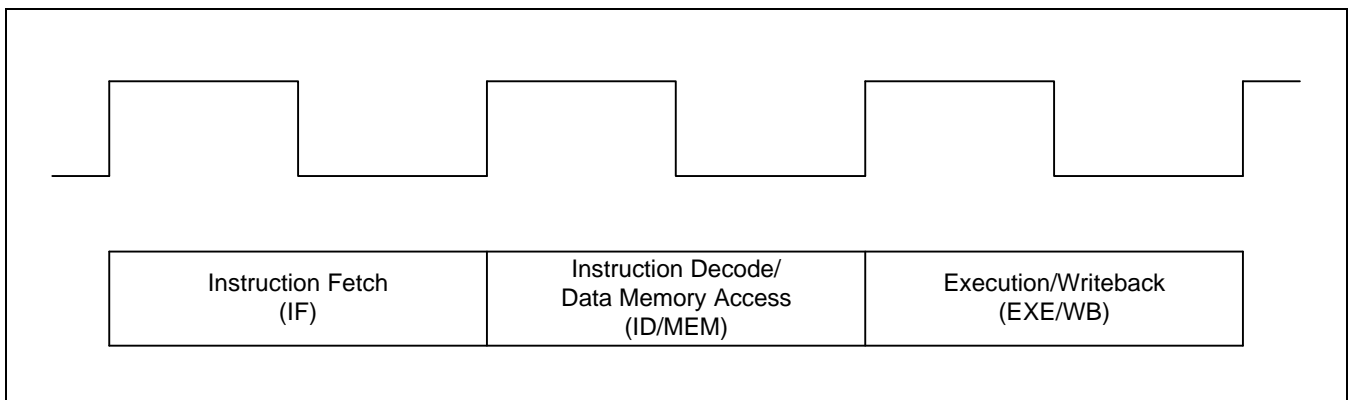
CalmRISC is an 8-bit low power RISC microcontroller. Its basic architecture follows Harvard style, that is, it has separate program memory and data memory. Both instruction and data can be fetched simultaneously without causing a stall, using separate paths for memory access. Represented below is the top block diagram of the CalmRISC microcontroller.



The CalmRISC building blocks consist of:

- An 8-bit ALU
- 16 general purpose registers (GPR)
- 11 special purpose registers (SPR)
- 16-level hardware stack
- Program memory address generation unit
- Data memory address generation unit

Sixteen GPRs are grouped into four banks (Bank0 to Bank3), and each bank has four 8-bit registers (R0, R1, R2, and R3). SPRs, designed for special purposes, include status registers, link registers for branch-link instructions, and data memory index registers. The data memory address generation unit provides the data memory address (denoted as  $DA[15:0]$  in the top block diagram) for a data memory access instruction. Data memory contents are accessed through  $DI[7:0]$  for read operations and  $DO[7:0]$  for write operations. The program memory address generation unit contains a program counter,  $PC[19:0]$ , and supplies the program memory address through  $PA[19:0]$  and fetches the corresponding instruction through  $PD[15:0]$  as the result of the program memory access. CalmRISC has a 16-level hardware stack for low power stack operations as well as a temporary storage area.



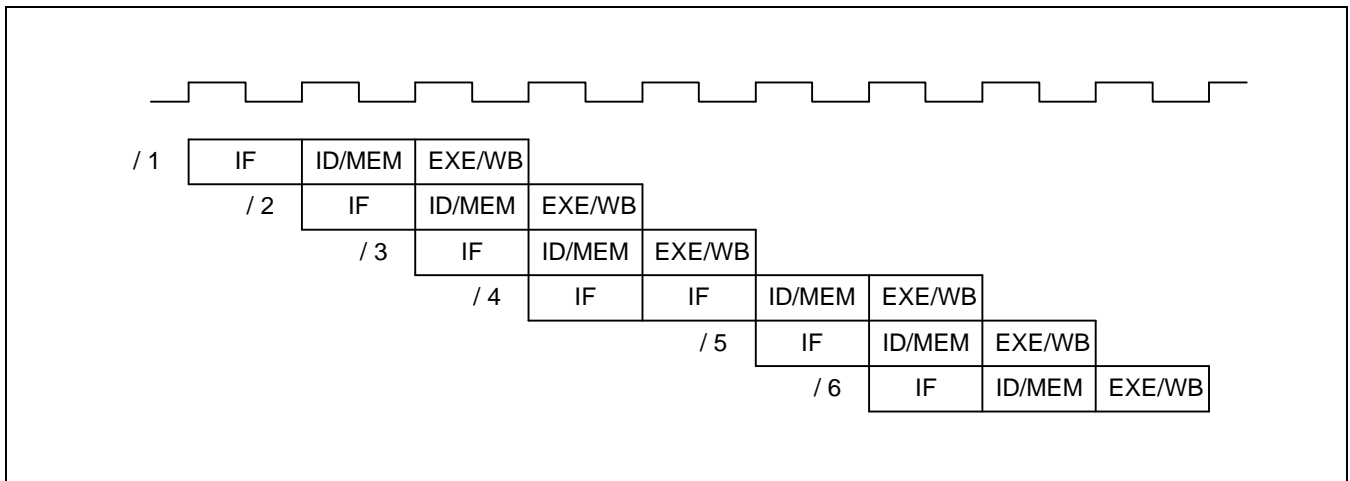
**Figure 1-2. CalmRISC Pipeline Diagram**

CalmRISC has a 3-stage pipeline as described below:

As can be seen in the pipeline scheme, CalmRISC adopts a register-memory instruction set. In other words, data memory where  $R$  is a GPR can be one operand of an ALU instruction as shown below:

The first stage (or cycle) is the Instruction fetch stage (IF for short), where the instruction pointed by the program counter,  $PC[19:0]$ , is read into the Instruction Register (IR for short). The second stage is the Instruction Decode and Data Memory Access stage (ID/MEM for short), where the fetched instruction (stored in IR) is decoded and data memory access is performed, if necessary. The final stage is the Execute and Write-back stage (EXE/WB), where the required ALU operation is executed and the result is written back into the destination registers.

Since CalmRISC instructions are pipelined, the next instruction fetch is not postponed until the current instruction is completely finished but is performed immediately after completing the current instruction fetch. The pipeline stream of instructions is illustrated in the following diagram.



**Figure 1-3. CalmRISC Pipeline Stream Diagram**

Most CalmRISC instructions are 1-word instructions, while some branch instructions such as long “call” and “jp” instructions are 2-word instructions. In Figure 1-3, the instruction, /4, is a long branch instruction, and it takes two clock cycles to fetch the instruction. As indicated in the pipeline stream, the number of clocks per instruction (CPI) is 1 except for long branches, which take 2 clock cycles per instruction.



## FEATURES

### CPU

- CalmRISC core (8-bit RISC architecture)

### Memory

- ROM: 8K-word (16K-byte)
- RAM: 384-byte (excluding LCD data RAM)

### Stack

- Size: maximum 16 word-level

### 48 I/O Pins

- 12 normal I/O pins
- 36 I/O pins sharing with LCD signals

### Basic Timer

- Overflow signal makes a system reset
- Watchdog function

### 16-bit Timer/Counter 0

- Programmable 16-bit timer
- Interval, capture, PWM mode
- Match, overflow interrupt

### 16-bit Timer/Counter 1

- Programmable 16-bit timer
- Match interrupt generator

### 8-bit Timer/Counter 2

- Programmable 8-bit timer
- Interval, PWM mode
- Match, overflow interrupt

### 8-bit Timer/Counter 3

- Programmable 8-bit timer
- Match interrupt/carrier frequency generator

### Watch Timer

- Real-time and interval time measurement
- Clock generation for LCD
- Four frequency outputs for buzzer sound (0.5/1/2/4 kHz at 32.768 kHz)

### LCD Controller/Driver

- 32 segments and 4 common terminals
- Static, 1/2 duty, 1/3 duty, 1/4 duty
- Internal resistor circuit for LCD bias

### 8-Bit Serial I/O Interface

- 8-bit transmit/receive mode
- 8-bit receive mode
- LSB-first/MSB-first transmission selectable
- Internal/external clock source

### A/D Converter

- Eight analog input channels
- 25  $\mu$ s conversion speed at 8 MHz
- 10-bit conversion resolution
- Operating voltage: 2.7 V to 5.5 V

### D/A Converter

- One analog output channel
- 10-bit conversion resolution (R-2R)
- Operating voltage: 2.7 V to 5.5 V

### Oscillation Sources

- Crystal, ceramic, RC for main clock
- Crystal for sub clock
- Main clock frequency: 0.4–8 MHz
- Sub clock frequency: 32.768 kHz
- CPU clock divider circuit (divided by 1, 2, 4, 8, 16, 32, 64 or 128)

## FEATURES (Continued)

### Two Power-Down Modes

- Idle (only CPU clock stops)
- Stop (System clock stops)

### Interrupts

- 2 Vectors, 13 interrupts

### Instruction Execution Times

- 125 ns at 8 MHz (main clock)
- 30.5  $\mu$ s at 32.768 kHz (sub clock)

### Operating Temperature Range

- - 25 °C to 85 °C

### Operating Voltage Range

- 2.0 V to 5.5 V at 2 MHz (2MIPS)
- 2.4 V to 5.5 V at 4 MHz (4MIPS)
- 3.0 V to 5.5 V at 8 MHz (8MIPS)

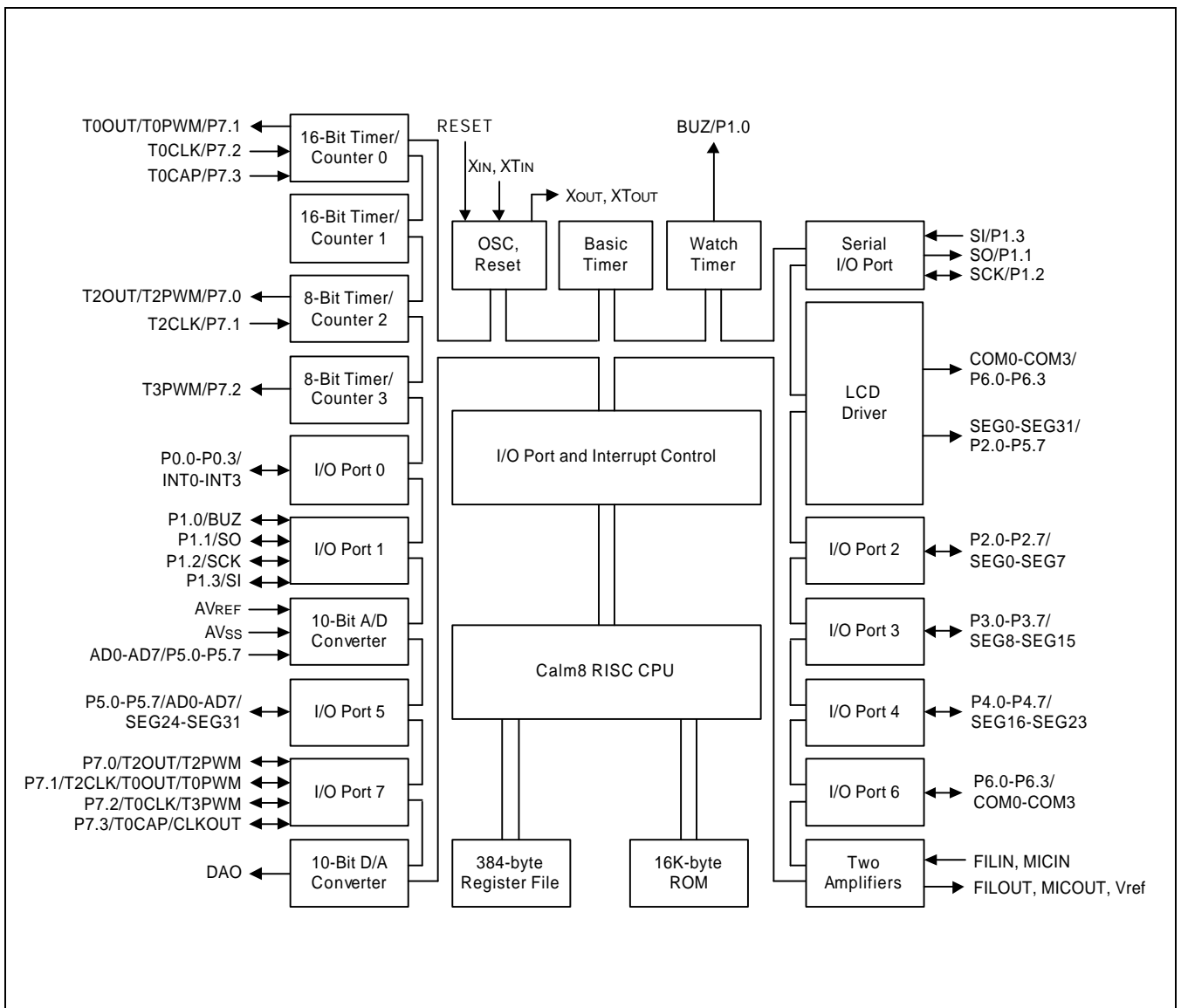
### Two Amplifiers

- Microphone and filter

### Package Type

- 64-pin QFP-1420F

**BLOCK DIAGRAM**



**Figure 1-4. Block Diagram**

PIN ASSIGNMENT

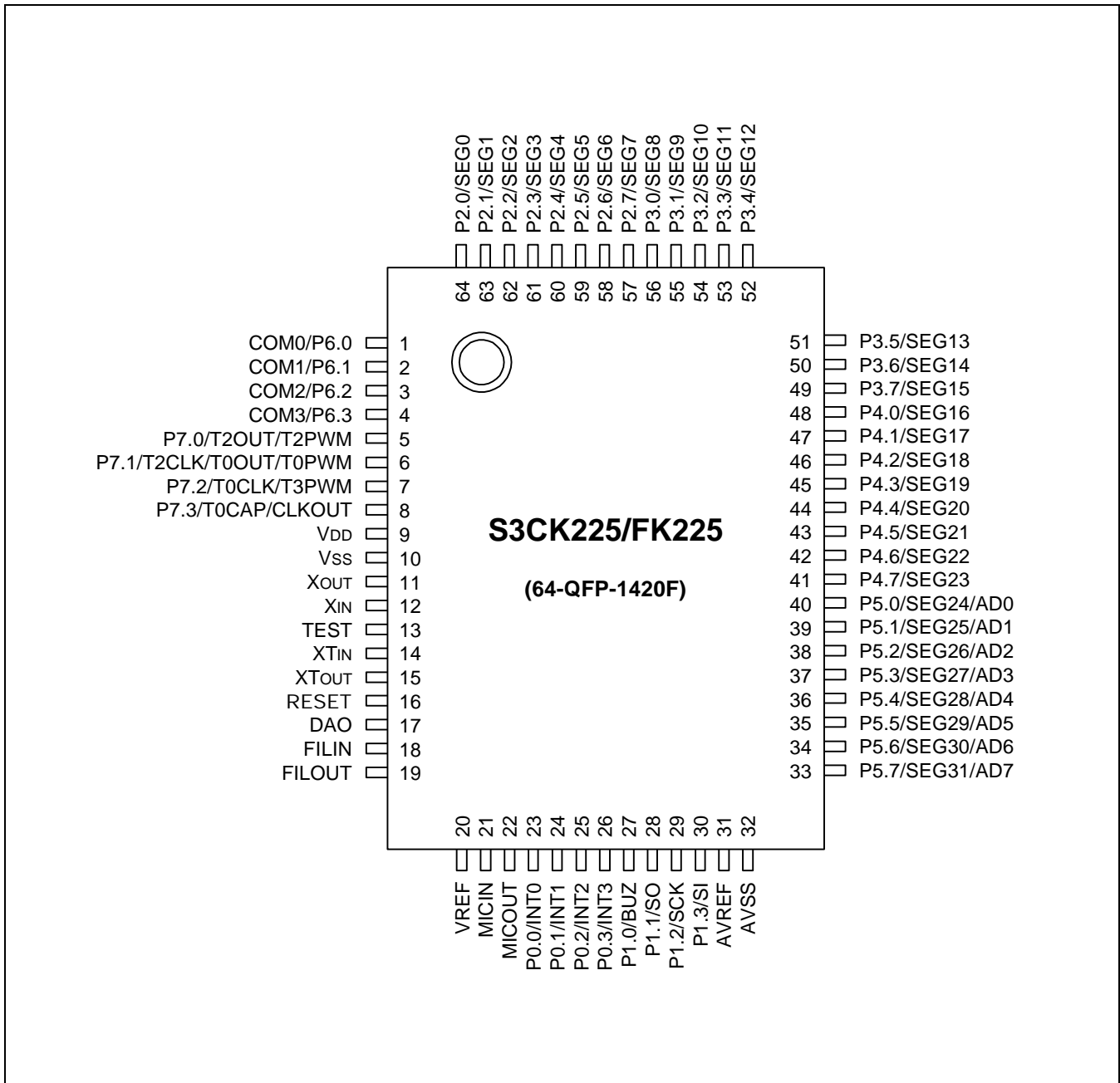


Figure 1-5. Pin Assignment (64-QFP)

## PIN DESCRIPTIONS

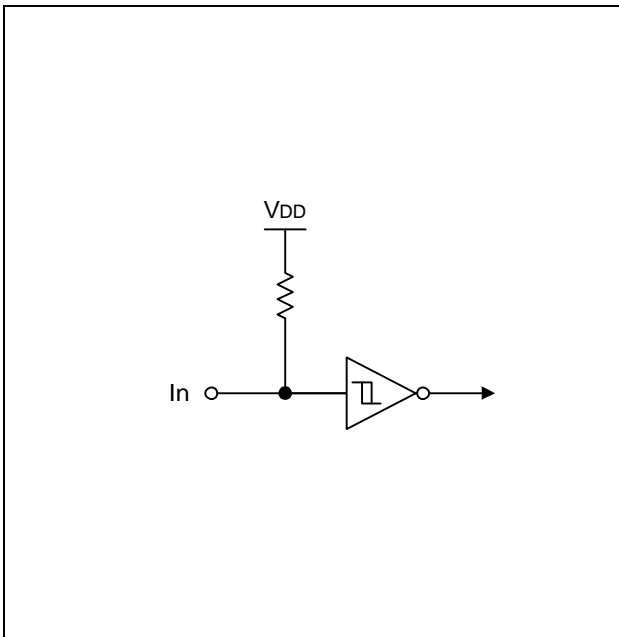
Table 1-1. Pin Descriptions

Pin Names	Pin Type	Pin Description	Circuit Type	Pin Numbers	Share Pins
P0.0 P0.1 P0.2 P0.3	I/O	I/O port with bit programmable pins; Schmitt trigger input or output mode selected by software; software assignable pull-up resistors. (with noise filter and interrupt control).	D-4	23 24 25 26	INT0 INT1 INT2 INT3
P1.0 P1.1 P1.2 P1.3	I/O	I/O port with bit programmable pins; Schmitt trigger input or output mode selected by software; Open-drain output mode can be selected by software; software assignable pull-up resistors.	E-4	27 28 29 30	BUZ SO SCK SI
P2.0-P2.7	I/O	I/O port with bit programmable pins; Push-pull or open-drain output and input with software assignable pull-up resistors.	H-14	64-57	SEG0-SEG7
P3.0-P3.7	I/O	Have the same characteristic as port 2	H-14	56-49	SEG8-SEG15
P4.0-P4.7	I/O	Have the same characteristic as port 2	H-14	48-41	SEG16-SEG23
P5.0-P5.7	I/O	I/O port with bit programmable pins; Normal input or output mode selected by software; software assignable pull-up resistors.	F-10	40-33	AD0-AD7/ SEG24-SEG31
P6.0-P6.3	I/O	Have the same characteristic as port 2	H-14	1-4	COM0-COM3
P7.0 P7.1 P7.2 P7.3	I/O	I/O port with bit programmable pins; Schmitt trigger input or push-pull output with software assignable pull-up resistors.	D-3	5 6 7 8	T2OUT/T2PWM T2CLK/T0OUT/T0PWM T0CLK/T3PWM T0CAP/CLKOUT
AD0-AD7	I/O	A/D converter analog input channels	F-10	40-33	P5.0-P5.7/ SEG24-SEG31
AV <sub>REF</sub>	–	A/D converter reference voltage	–	31	–
AV <sub>SS</sub>	–	A/D converter ground	–	32	–
INT0-INT3	I/O	External interrupt input pins	D-4	23-26	P0.0-P0.3
RESET	I	System reset pin	B	16	–
TEST	I	Test signal input (must be connected to V <sub>SS</sub> )	–	13	–

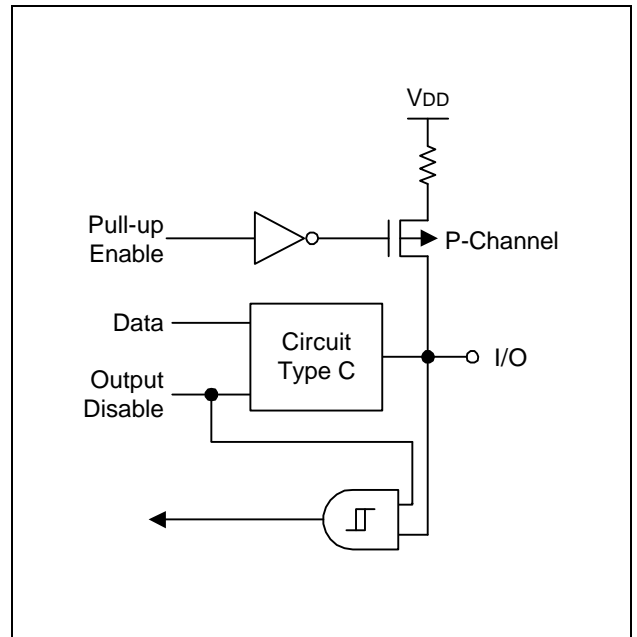
Table 1-1. Pin Descriptions (Continued)

Pin Names	Pin Type	Pin Description	Circuit Type	Pin Numbers	Share Pins
$V_{DD}$ , $V_{SS}$	–	Main power supply and ground	–	9, 10	–
$X_{OUT}$ , $X_{IN}$	–	Main oscillator pins	–	11, 12	–
$XT_{OUT}$ , $XT_{IN}$	–	Sub oscillator pins	–	15, 14	–
SO, SCK, SI	I/O	Serial I/O interface clock signal	E-4	28-30	P1.1-P1.3
T3PWM	I/O	Timer 3 PWM output	D-3	7	P7.2
T2OUT/T2PWM	I/O	Timer 2 output and PWM output	D-3	5	P7.0
T2CLK	I/O	Timer 2 external clock input	D-3	6	P7.1
T0CLK	I/O	Timer 0 external clock input	D-3	7	P7.2
T0CAP	I/O	Timer 0 capture input	D-3	8	P7.3
T0OUT/T0PWM	I/O	Timer 0 output and PWM output	D-3	6	P7.1
COM0-COM3	I/O	LCD common signal output	H-14	1-4	P6.0-P6.3
SEG0-SEG7	I/O	LCD segment output	H-14	64-57	P2.0-P2.7
SEG8-SEG15	I/O	LCD segment output	H-14	56-49	P3.0-P3.7
SEG16-SEG23	I/O	LCD segment output	H-14	48-41	P4.0-P4.7
SEG24-SEG31	I/O	LCD segment output	H-14	40-33	P5.0-P5.7/ AD0-AD7
BUZ	I/O	0.5, 1, 2 or 4 kHz frequency output for buzzer sound with 4.19 MHz main clock or 32768 Hz sub clock	E-4	27	P1.0
CLKOUT	I/O	Main oscillator clock output	D-3	8	P7.3
DAO	–	DA converter output	–	17	–
FILIN, FILOUT	–	Filter amp input and output	–	18, 19	–
MICIN, MICOUT	–	MIC amp input and output	–	21, 22	–
Vref	–	Reference voltage output for filter amp and MIC amp	–	20	–

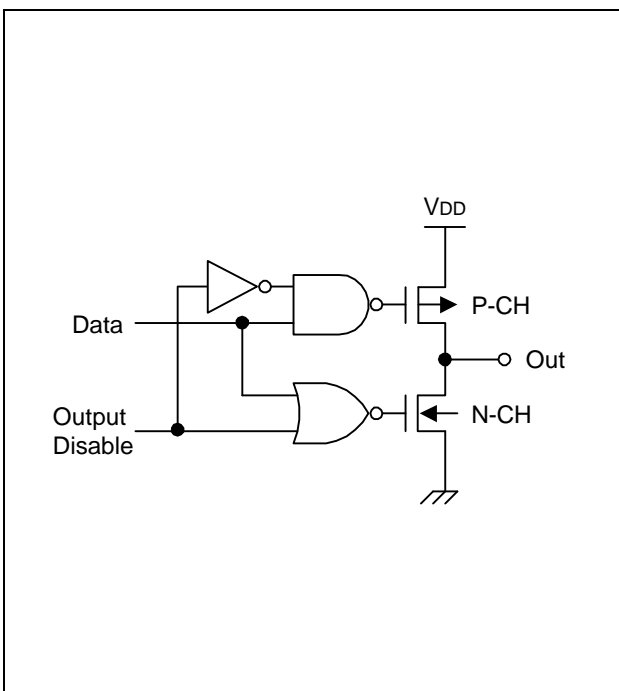
**PIN CIRCUITS**



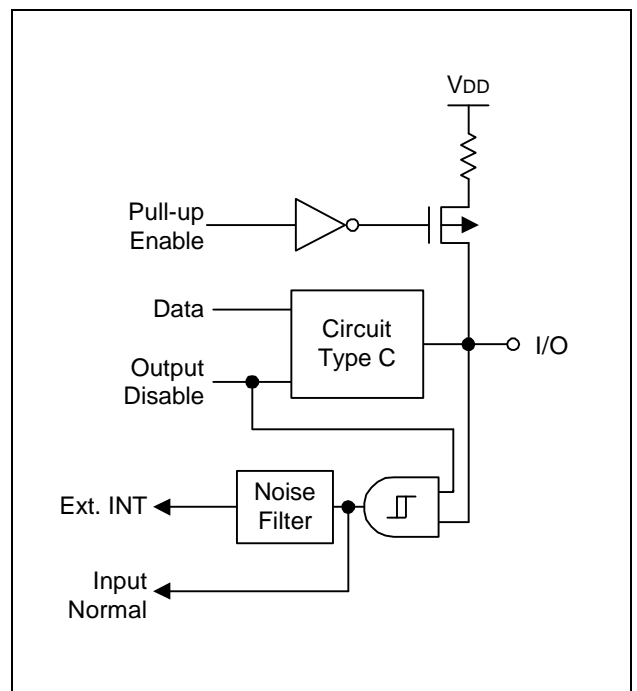
**Figure 1-6. Pin Circuit Type B (RESET)**



**Figure 1-7. Pin Circuit Type D-3 (P7)**



**Figure 1-8. Pin Circuit Type C**



**Figure 1-9. Pin Circuit Type D-4 (P0)**

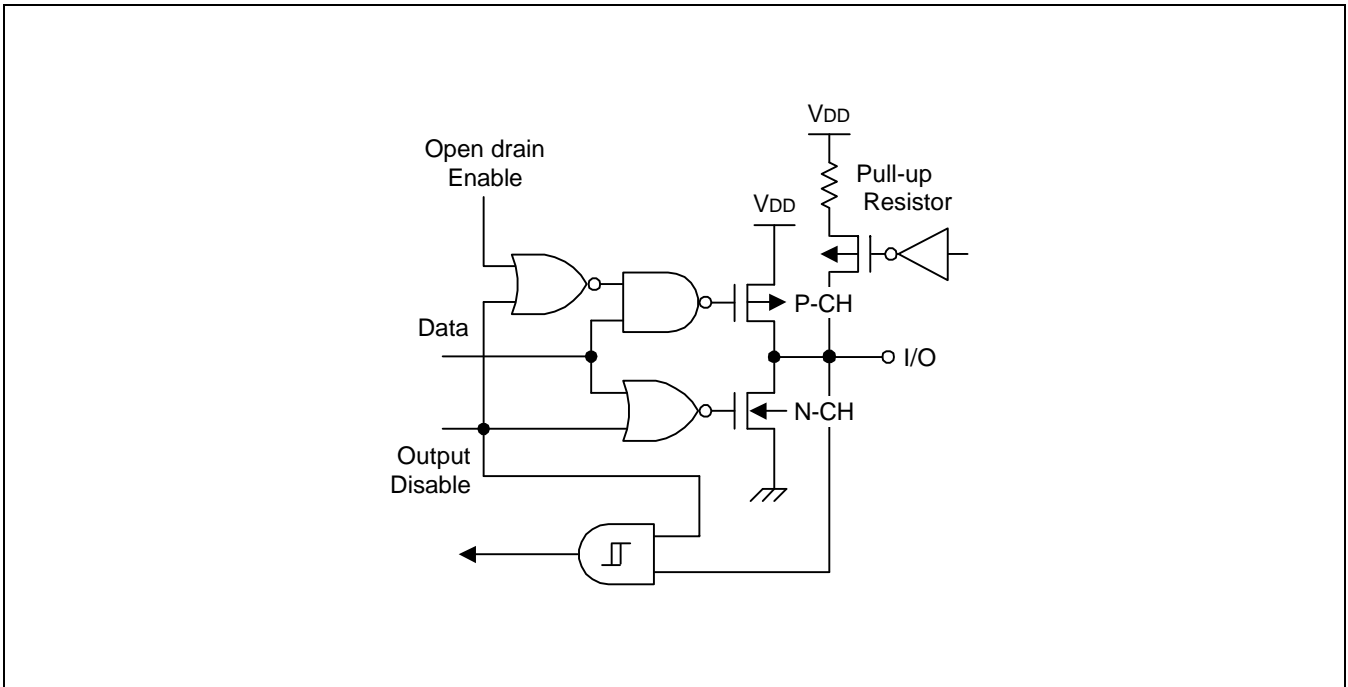


Figure 1-10. Pin Circuit Type E-4 (P1)

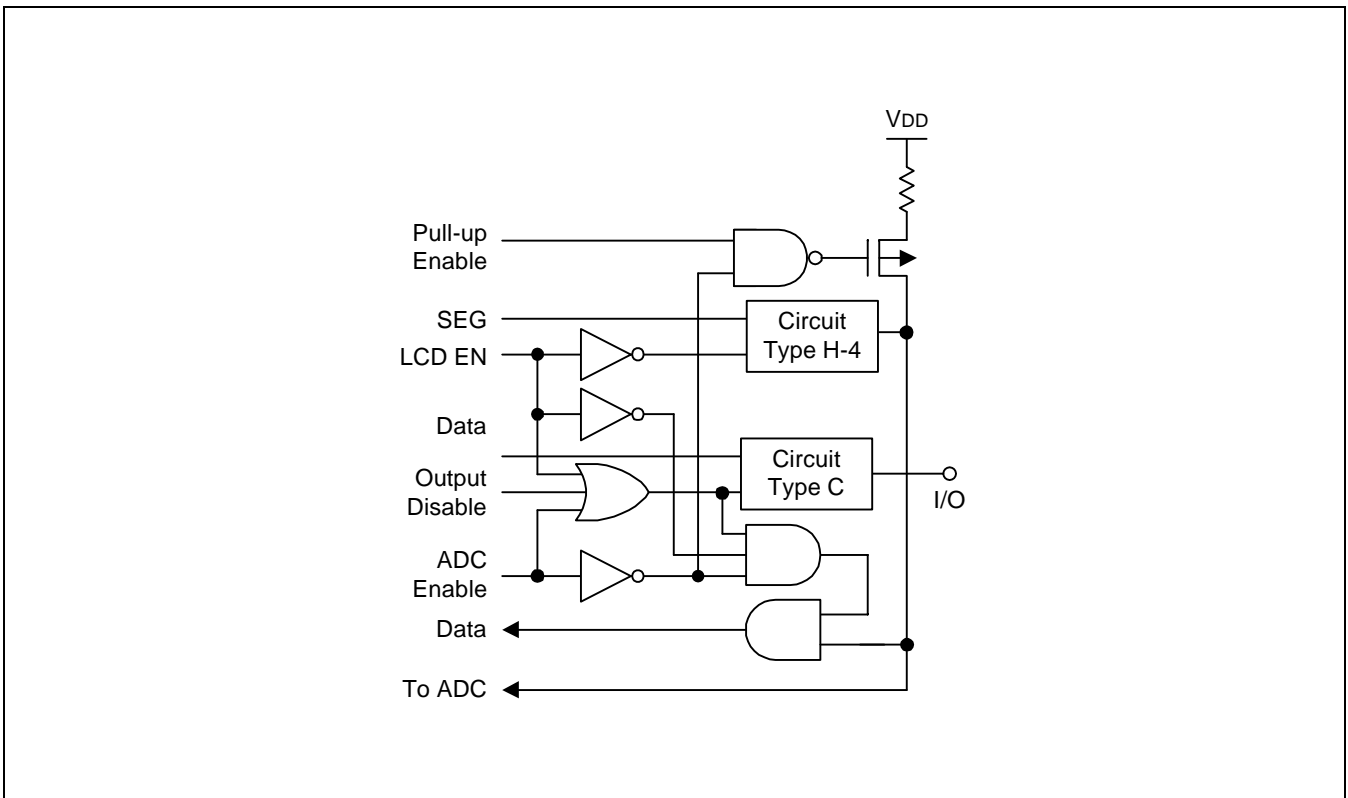


Figure 1-11. Pin Circuit Type F-10 (P5)



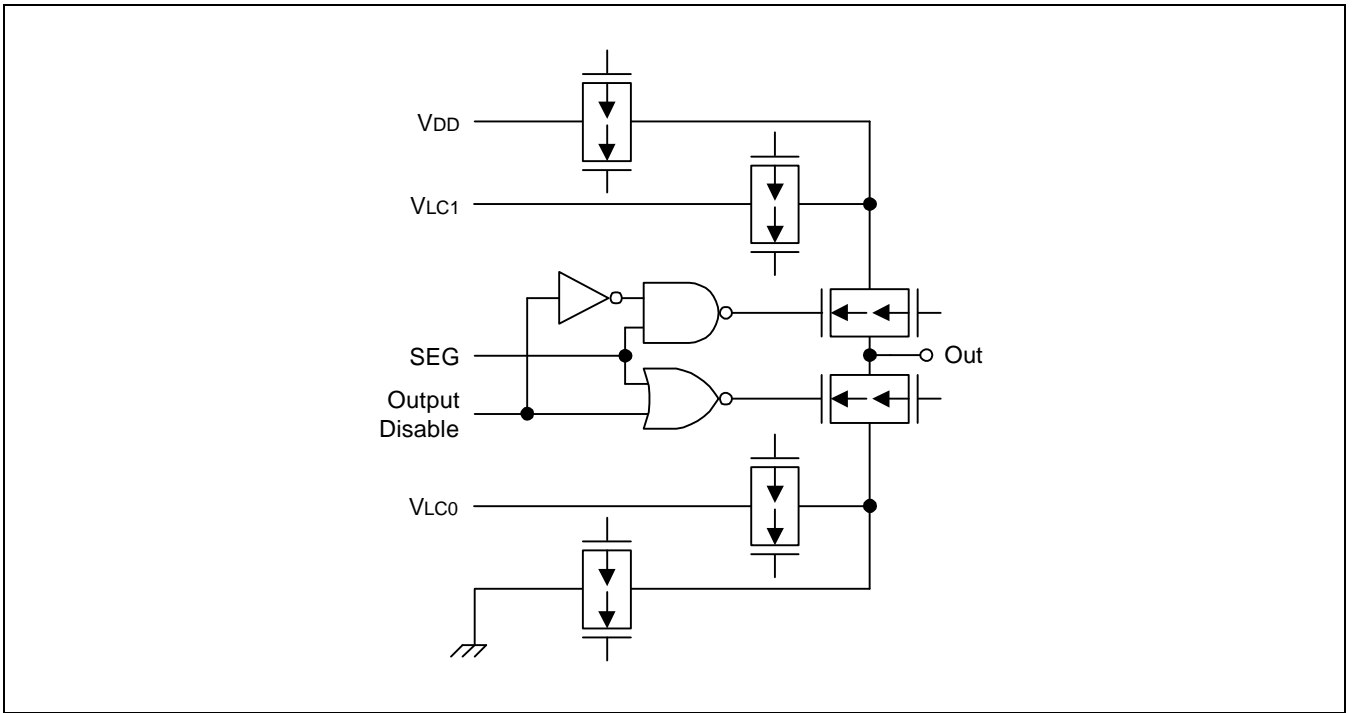


Figure 1-12. Pin Circuit Type H-4

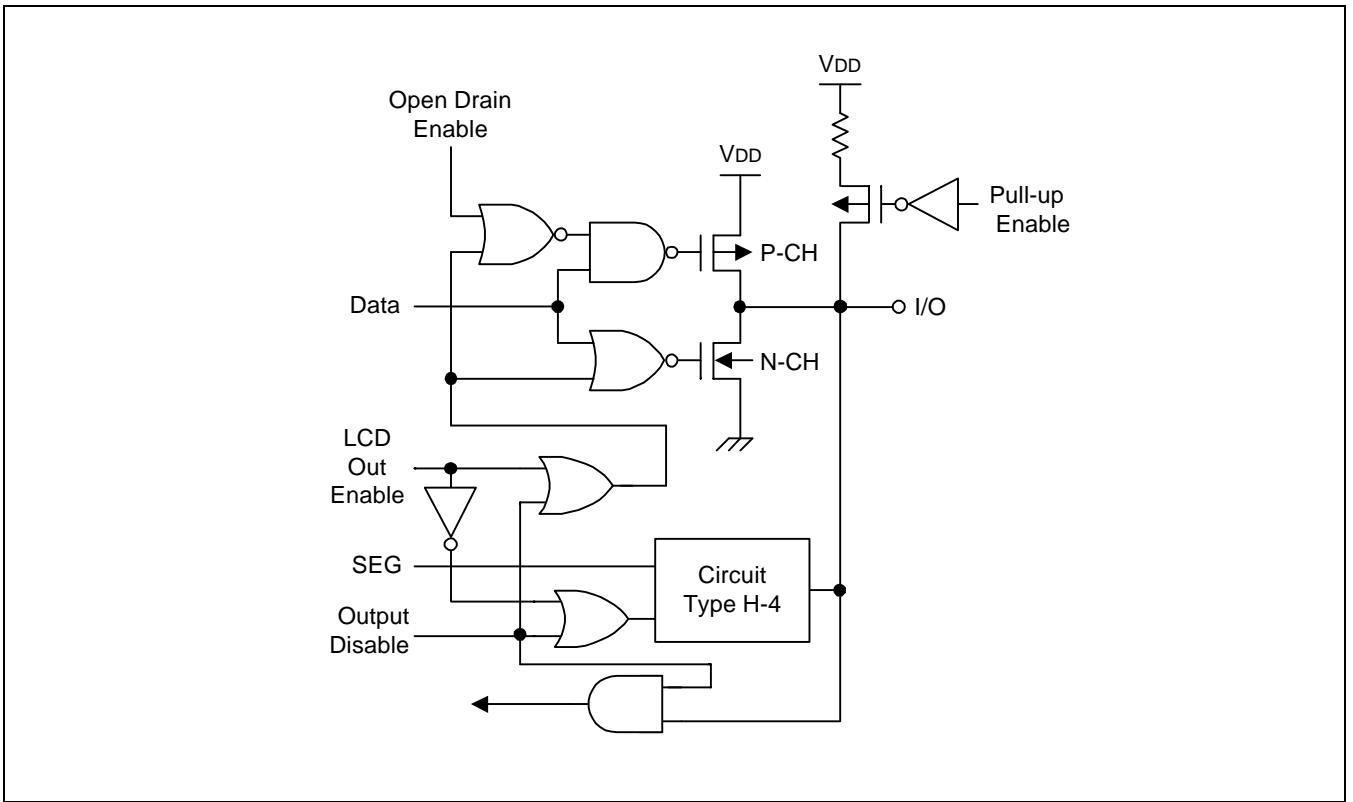


Figure 1-13. Pin Circuit Type H-14 (P2, P3, P4, P6)

## NOTES

# 2 ADDRESS SPACES

## OVERVIEW

CalmRISC has 20-bit program address lines,  $PA[19:0]$ , which supports up to 1M words of program memory. The 1M word program memory space is divided into 256 pages and each page is 4K word long as shown in the figure 2-1. The upper 8 bits of the program counter,  $PC[19:12]$ , points to a specific page and the lower 12 bits,  $PC[11:0]$ , specify the offset address of the page.

CalmRISC also has 16-bit data memory address lines,  $DA[15:0]$ , which supports up to 64K bytes of data memory. The 64K byte data memory space is divided into 256 pages and each page has 256 bytes. The upper 8 bits of the data address,  $DA[15:8]$ , points to a specific page and the lower 8 bits,  $DA[7:0]$ , specify the offset address of the page.

## PROGRAM MEMORY (ROM)

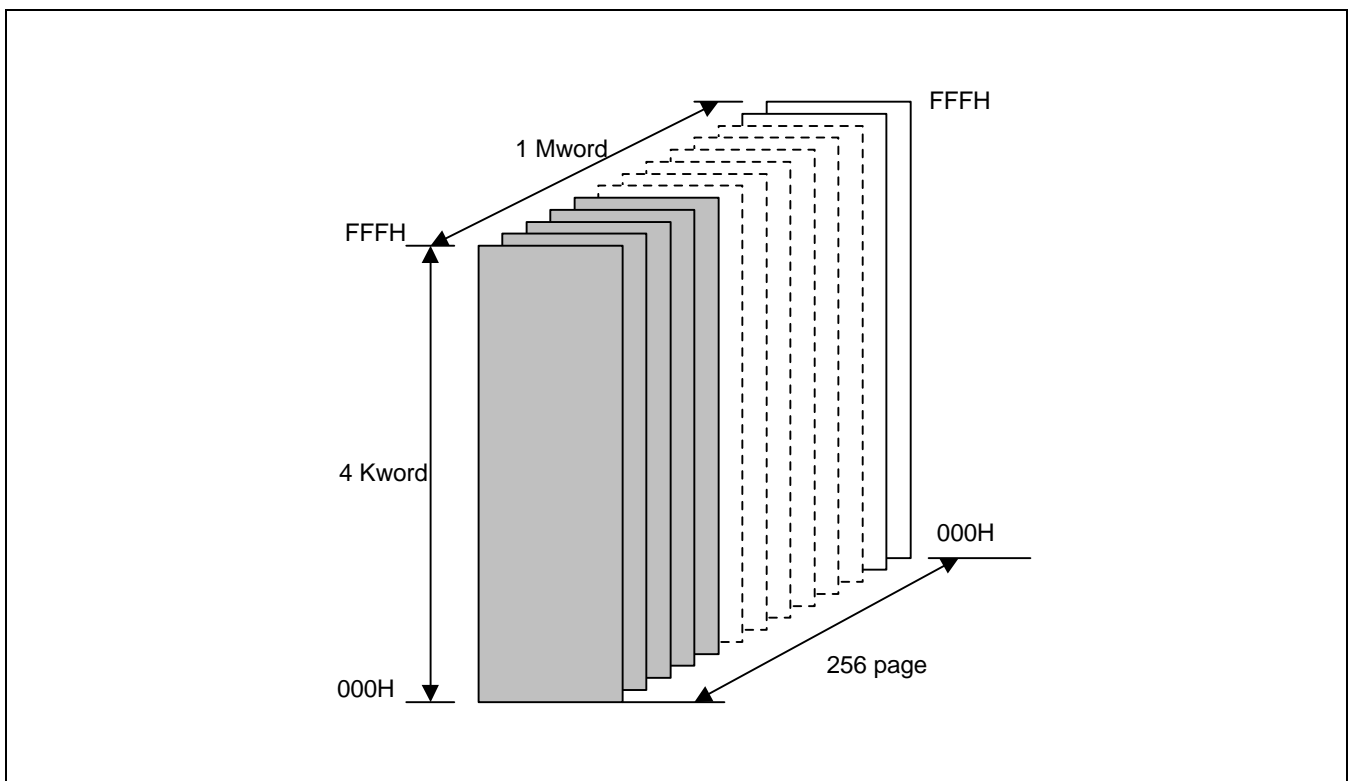
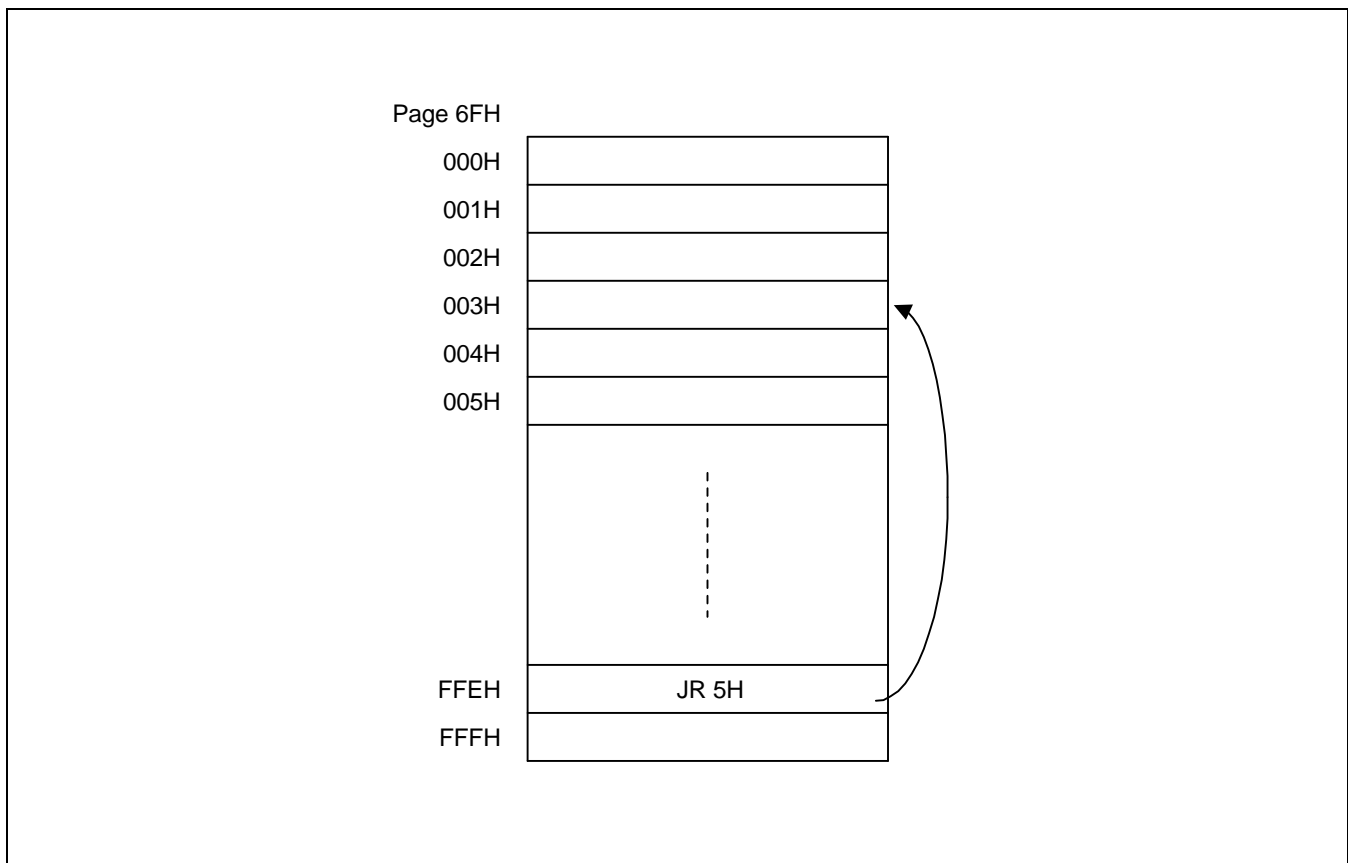


Figure 2-1. Program Memory Organization

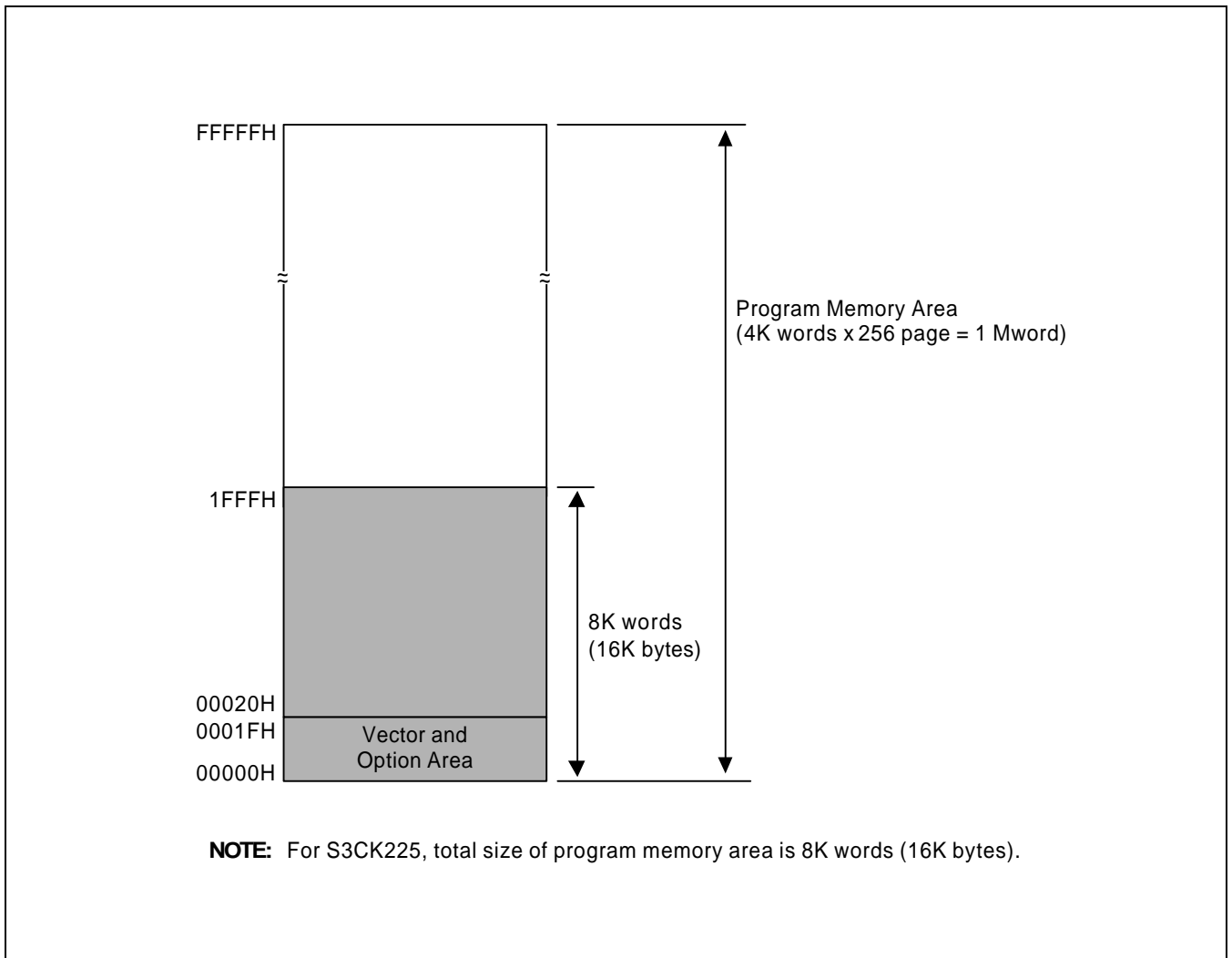
For example, if  $PC[19:0] = 5F79AH$ , the page index pointed to by PC is 5FH and the offset in the page is 79AH. If the current  $PC[19:0] = 5EFFFH$  and the instruction pointed to by the current PC, i.e., the instruction at the address 5EFFFH is *not* a branch instruction, the next PC becomes 5E000H, *not* 5F000H. In other words, the instruction sequence wraps around at the page boundary, unless the instruction at the boundary (in the above example, at 5EFFFH) is a long branch instruction. The only way to change the program page is by long branches (LCALL, LLNK, and LJP), where the absolute branch target address is specified. For example, if the current  $PC[19:0] = 047ACH$  (the page index is 04H and the offset is 7ACH) and the instruction pointed to by the current PC, i.e., the instruction at the address 047ACH, is "LJP A507FH" (jump to the program address A507FH), then the next  $PC[19:0] = A507FH$ , which means that the page and the offset are changed to A5H and 07FH, respectively. On the other hand, the short branch instructions cannot change the page indices.

Suppose the current PC is 6FFFEH and its instruction is "JR 5H" (jump to the program address  $PC + 5H$ ). Then the next instruction address is 6F003H, *not* 70003H. In other words, the branch target address calculation also wraps around with respect to a page boundary. This situation is illustrated below:



**Figure 2-2. Relative Jump Around Page Boundary**

Programmers do not have to manually calculate the offset and insert extra instructions for a jump instruction across page boundaries. The compiler and the assembler for CalmRISC are in charge of producing appropriate codes for it.



**Figure 2-3. Program Memory Layout**

From 00000H to 00004H addresses are used for the vector address of exceptions, and 0001EH, 0001FH are used for the option only. Aside from these addresses others are reserved in the vector and option area. Program memory area from the address 00020H to FFFFFH can be used for normal programs.

The Program memory size of S3CK225 is 8K word (16K byte), so from the address 00020H to 1FFFH are the program memory area.

## ROM CODE OPTION (RCOD\_OPT)

Just after power on, the ROM data located at 0001EH and 0001FH is used as the ROM code option. S3CK225 has ROM code options like the Reset value of Basic timer and Watchdog timer enable.

For example, if you program as below:

RCOD_OPT	1EH, 0x0000
RCOD_OPT	1FH, 0xbfff

- fxx/32 is used as Reset value of basic timer (by bit.14, 13, 12)
- Watchdog timer is enabled (by bit.11)

If you don't program any values in these option areas, then the default value is "1".

In these cases, the address 0001EH would be the value of "FFFFH".

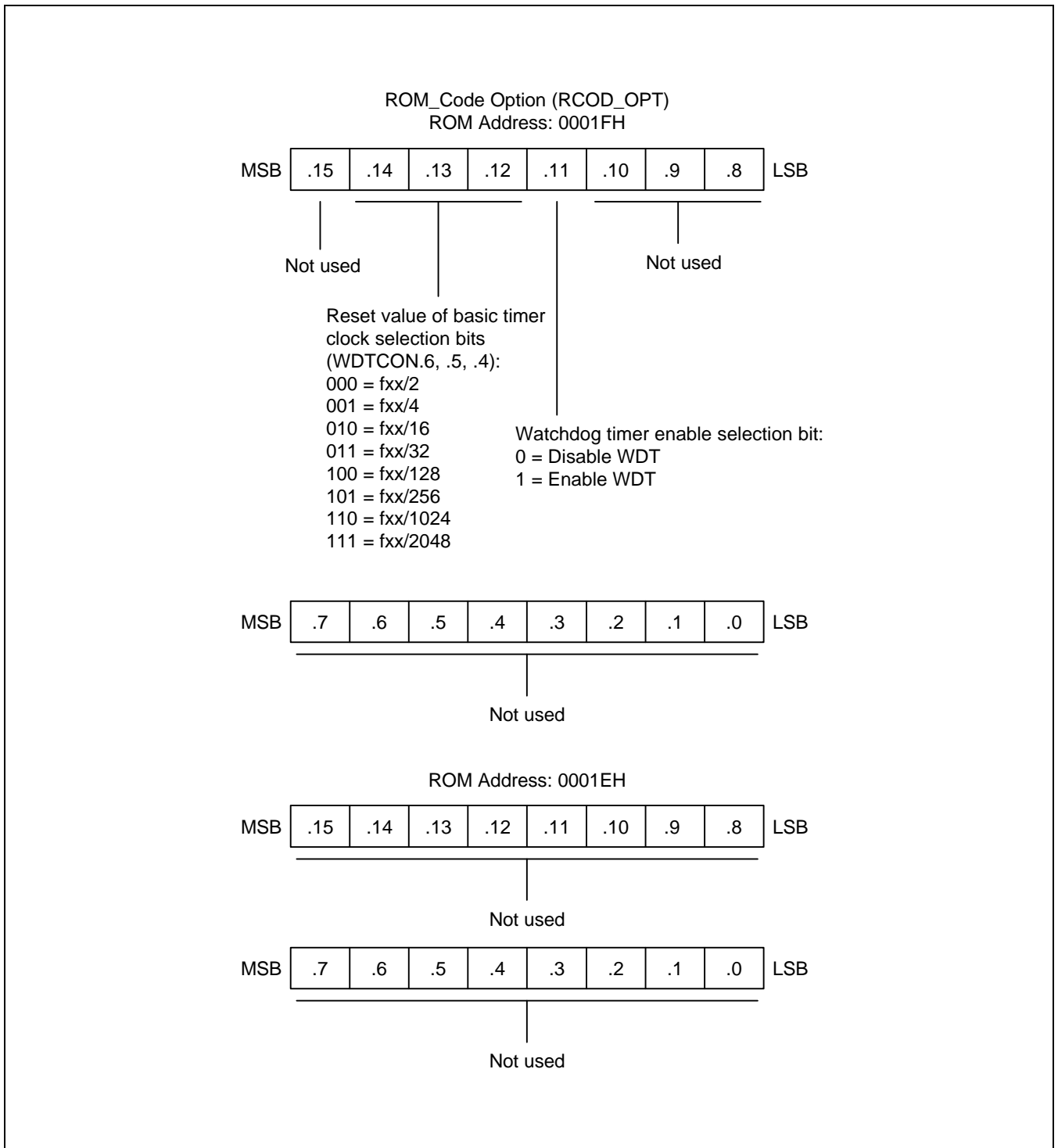


Figure 2-4. ROM Code Option (RCOD\_OPT)

## DATA MEMORY ORGANIZATION

The total data memory address space is 64K bytes, addressed by  $DA[15:0]$ , and divided into 256 pages. Each page consists of 256 bytes as shown below.

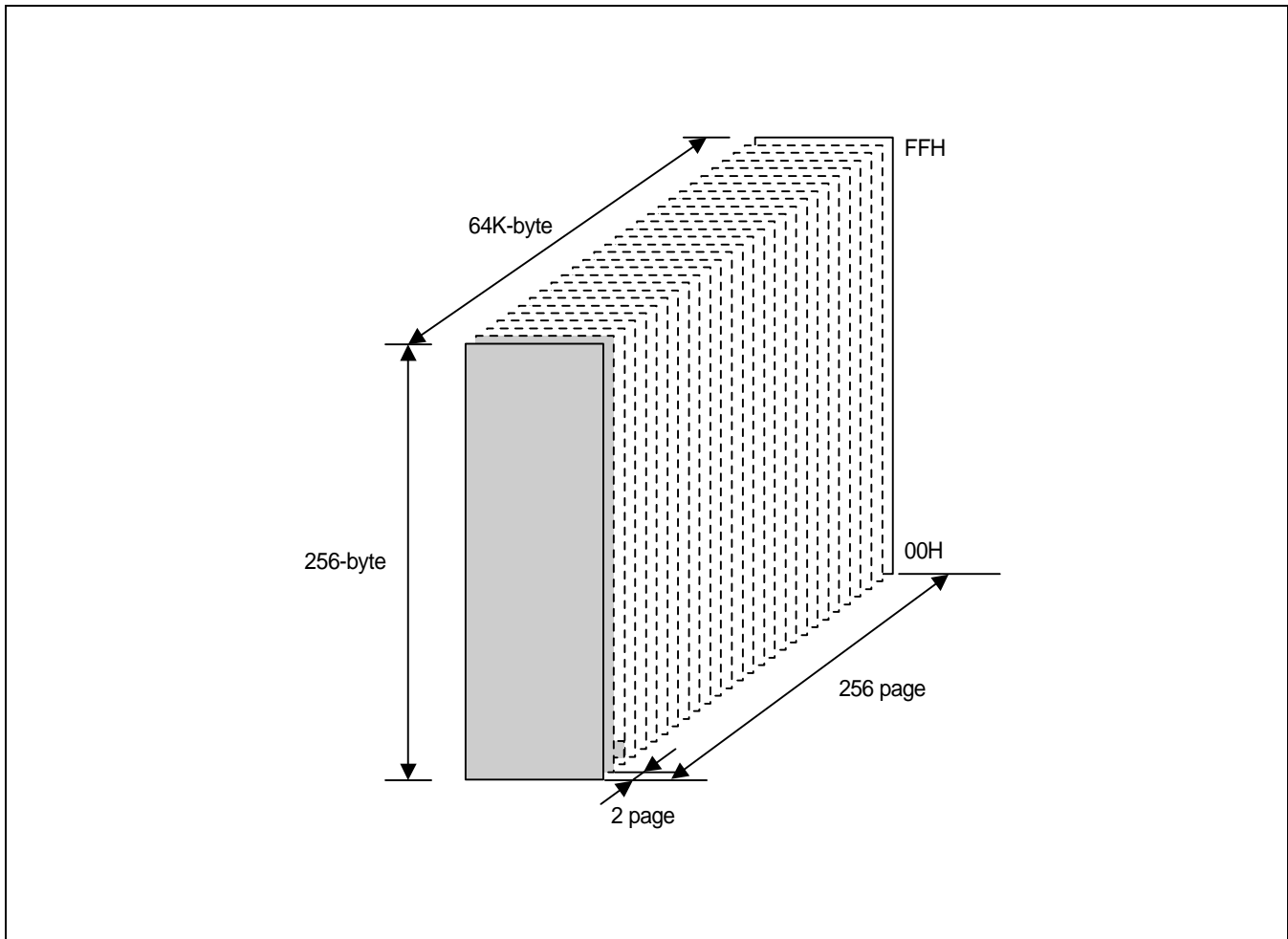


Figure 2-5. Data Memory Map of CalmRISC8

The data memory page is indexed by SPR and IDH. In data memory index addressing mode, 16-bit data memory address is composed of two 8-bit SPRs,  $IDH[7:0]$  and  $IDL0[7:0]$  (or  $IDH[7:0]$  and  $IDL1[7:0]$ ).  $IDH[7:0]$  points to a page index, and  $IDL0[7:0]$  (or  $IDL1[7:0]$ ) represents the page offset. In data memory direct addressing mode, an 8-bit direct address,  $adr[7:0]$ , specifies the offset of the page pointed to by  $IDH[7:0]$  (See the details for direct addressing mode in the instruction sections). Unlike the program memory organization, data memory address does *not* wrap around. In other words, data memory index addressing with modification performs an addition or a subtraction operation on the whole 16-bit address of  $IDH[7:0]$  and  $IDL0[7:0]$  (or  $IDL1[7:0]$ ) and updates  $IDH[7:0]$  and  $IDL0[7:0]$  (or  $IDL1[7:0]$ ) accordingly. Suppose  $IDH[7:0]$  is 0FH and  $IDL0[7:0]$  is FCH and the modification on the index registers,  $IDH[7:0]$  and  $IDL0[7:0]$ , is increment by 5H, then, after the modification (i.e.,  $0FFCH + 5 = 1001H$ ),  $IDH[7:0]$  and  $IDL0[7:0]$  become 10H and 01H, respectively.



The S3CK225 has 400 bytes of data register address from 0080H to 020FH. The area from 0000H to 007FH is for peripheral control, and LCD RAM area is from 0200H to 020FH.

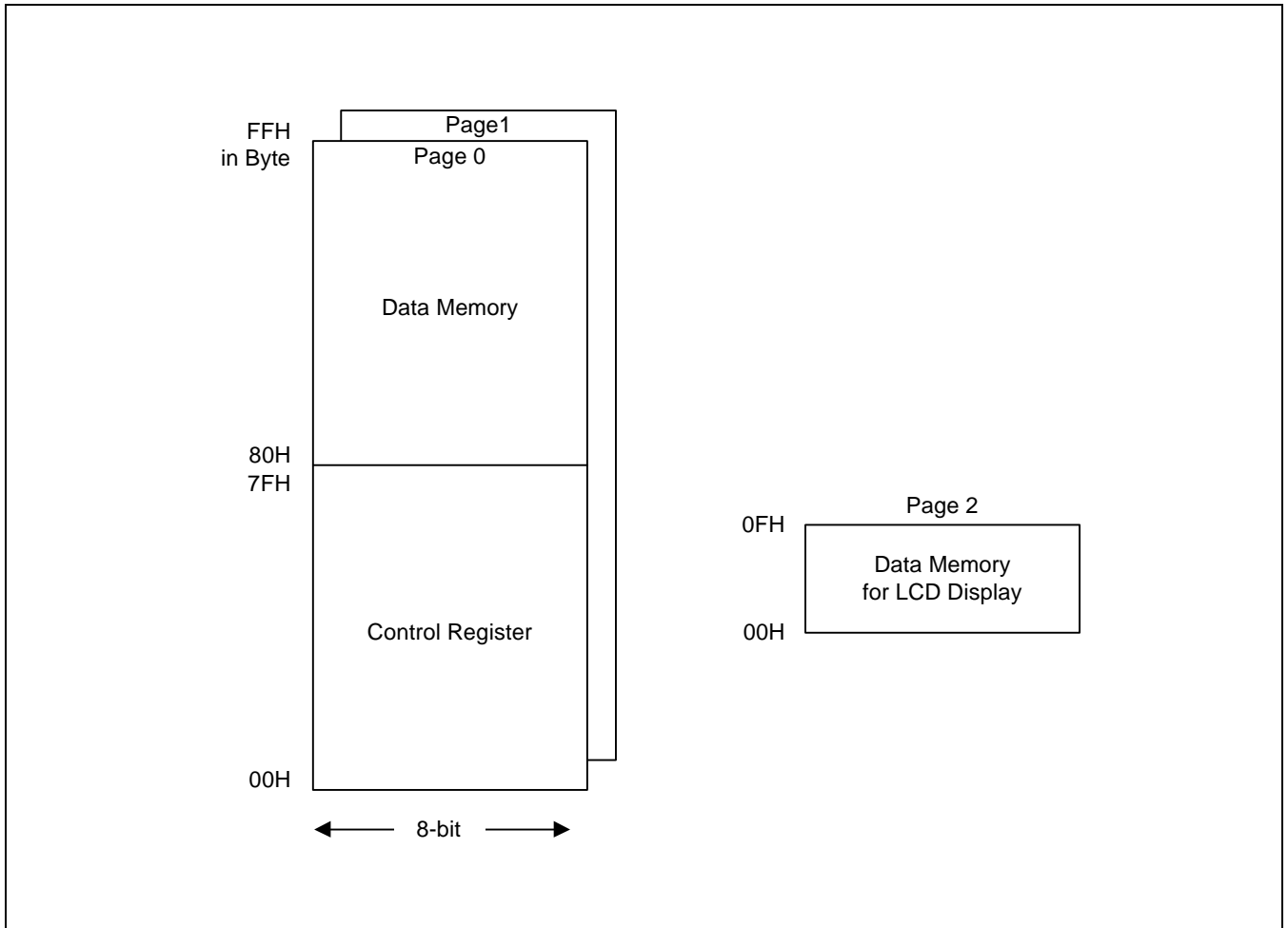


Figure 2-6. Data Memory Map of S3CK225

NOTES

# 3 REGISTERS

## OVERVIEW

The registers of CalmRISC are grouped into 2 parts: general purpose registers and special purpose registers.

**Table 3-1. General and Special Purpose Registers**

Registers		Mnemonics	Description	Reset Value
General Purpose Registers (GPR)		R0	General Register 0	Unknown
		R1	General Register 1	Unknown
		R2	General Register 2	Unknown
		R3	General Register 3	Unknown
Special Purpose Registers (SPR)	Group 0 (SPR0)	IDL0	Lower Byte of Index Register 0	Unknown
		IDL1	Lower Byte of Index Register 1	Unknown
		IDH	Higher Byte of Index Register	Unknown
		SR0	Status Register 0	00H
	Group 1 (SPR1)	ILX	Instruction Pointer Link Register for Extended Byte	Unknown
		ILH	Instruction Pointer Link Register for Higher Byte	Unknown
		ILL	Instruction Pointer Link Register for Lower Byte	Unknown
		SR1	Status Register 1	Unknown

GPR's can be used in most instructions such as ALU instructions, stack instructions, load instructions, *etc* (See the instruction set sections). From the programming standpoint, they have almost no restriction whatsoever. CalmRISC has 4 banks of GPR's and each bank has 4 registers, R0, R1, R2, and R3. Hence, 16 GPR's in total are available. The GPR bank switching can be done by setting an appropriate value in SR0[4:3] (See SR0 for details). The ALU operations between GPR's from different banks are *not* allowed.

SPR's are designed for their own dedicated purposes. They have some restrictions in terms of instructions that can access them. For example, direct ALU operations cannot be performed on SPR's. However, data transfers between a GPR and an SPR are allowed and stack operations with SPR's are also possible (See the instruction sections for details).

### INDEX REGISTERS: IDH, IDL0 AND IDL1

IDH in concatenation with IDL0 (or IDL1) forms a 16-bit data memory address. Note that CalmRISC's data memory address space is 64 K byte (addressable by 16-bit addresses). Basically, IDH points to a page index and IDL0 (or IDL1) corresponds to an offset of the page. Like GPR's, the index registers are 2-way banked. There are 2 banks in total, each of which has its own index registers, IDH, IDL0 and IDL1. The banks of index registers can be switched by setting an appropriate value in SR0[2] (See SR0 for details). Normally, programmers can reserve an index register pair, IDH and IDL0 (or IDL1), for software stack operations.

### LINK REGISTERS: ILX, ILH AND ILL

The link registers are specially designed for link-and-branch instructions (See LNK and LRET instructions in the instruction sections for details). When an LNK instruction is executed, the current PC[19:0] is saved into ILX, ILH and ILL registers, i.e., PC[19:16] into ILX[3:0], PC[15:8] into ILH [7:0], and PC[7:0] into ILL[7:0], respectively. When an LRET instruction is executed, the return PC value is recovered from ILX, ILH, and ILL, i.e., ILX[3:0] into PC[19:16], ILH[7:0] into PC[15:8] and ILL[7:0] into PC[7:0], respectively. These registers are used to access program memory by LDC/LDC+ instructions. When an LDC or LDC+ instruction is executed, the (code) data residing at the program address specified by ILX:ILH:ILL will be read into TBH:TBL. LDC+ also increments ILL after accessing the program memory.

There is a special core input pin signal, *nP64KW*, which is reserved for indicating that the program memory address space is only 64 K word. By grounding the signal pin to zero, the upper 4 bits of PC, PC[19:16], is deactivated and therefore the upper 4 bits, PA[19:16], of the program memory address signals from CalmRISC core are also deactivated. By doing so, power consumption due to manipulating the upper 4 bits of PC can be totally eliminated (See the core pin description section for details). From the programmer's standpoint, when *nP64KW* is tied to the ground level, then PC[19:16] is *not* saved into ILX for LNK instructions and ILX is *not* read back into PC[19:16] for LRET instructions. Therefore, ILX is totally unused in LNK and LRET instructions when *nP64KW* = 0.

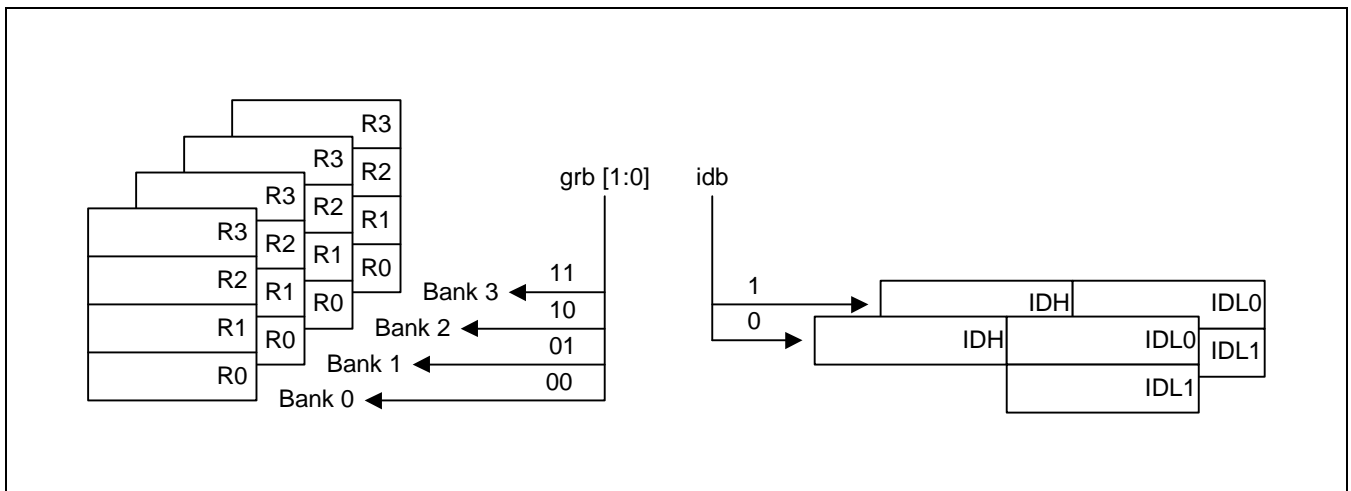
**STATUS REGISTER 0: SR0**

SR0 is mainly reserved for system control functions and each bit of SR0 has its own dedicated function.

**Table 3-2. Status Register 0 configuration**

Flag Name	Bit	Description
eid	0	Data memory page selection in direct addressing
ie	1	Global interrupt enable
idb	2	Index register banking selection
grb[1:0]	4,3	GPR bank selection
exe	5	Stack overflow/underflow exception enable
ie0	6	Interrupt 0 enable
ie1	7	Interrupt 1 enable

SR0[0] (or eid) selects which page index is used in direct addressing. If eid = 0, then page 0 (page index = 0) is used. Otherwise (eid = 1), IDH of the current index register bank is used for page index. SR0[1] (or ie) is the global interrupt enable flag. As explained in the interrupt/exception section, CalmRISC has 3 interrupt sources (non-maskable interrupt, interrupt 0, and interrupt 1) and 1 stack exception. Both interrupt 0 and interrupt 1 are masked by setting SR0[1] to 0 (i.e., ie = 0). When an interrupt is serviced, the global interrupt enable flag ie is automatically cleared. The execution of an IRET instruction (return from an interrupt service routine) automatically sets ie = 1. SR0[2] (or idb) and SR0[4:3] (or grb[1:0]) selects an appropriate bank for index registers and GPR's, respectively as shown below:

**Figure 3-1. Bank Selection by Setting of GRB Bits and IDB Bit**

SR0[5] (or exe) enables the stack exception, that is, the stack overflow/underflow exception. If exe = 0, the stack exception is disabled. The stack exception can be used for program debugging in the software development stage. SR0[6] (or ie0) and SR0[7] (or ie1) are enabled, by setting them to 1. Even though ie0 or ie1 are enabled, the interrupts are ignored (not serviced) if the global interrupt enable flag ie is set to 0.

**STATUS REGISTER 1: SR1**

SR1 is the register for status flags such as ALU execution flag and stack full flag.

**Table 3-3. Status Register 1: SR1**

Flag Name	Bit	Description
C	0	Carry flag
V	1	Overflow flag
Z	2	Zero flag
N	3	Negative flag
SF	4	Stack Full flag
–	5,6,7	Reserved

SR1[0] (or C) is the carry flag of ALU executions. SR1[1] (or V) is the overflow flag of ALU executions. It is set to 1 if and only if the carry-in into the 8-th bit position of addition/subtraction differs from the carry-out from the 8-th bit position. SR1[2] (or Z) is the zero flag, which is set to 1 if and only if the ALU result is zero. SR1[3] (or N) is the negative flag. Basically, the most significant bit (MSB) of ALU results becomes N flag. Note a load instruction into a GPR is considered an ALU instruction. However, if an ALU instruction touches the overflow flag (V) like ADD, SUB, CP, *etc*, N flag is updated as exclusive-OR of V and the MSB of the ALU result. This implies that even if an ALU operation results in overflow, N flag is still valid. SR1[4] (or SF) is the stack overflow flag. It is set when the hardware stack is overflowed or under flowed. Programmers can check if the hardware stack has any abnormalities by the stack exception or testing if SF is set (See the hardware stack section for great details).

**NOTE**

When an interrupt occurs, SR0 and SR1 are not saved by hardware, so SR0, and SR1 register values must be saved by software.

# 4 MEMORY MAP

## OVERVIEW

To support the control of peripheral hardware, the address for peripheral control registers are memory-mapped to page 0 of the RAM. Memory mapping lets you use a mnemonic as the operand of an instruction in place of the specific memory location.

In this section, detailed descriptions of the control registers are presented in an easy-to-read format. You can use this section as a quick-reference source when writing application programs.

This memory area can be accessed with the whole method of data memory access.

- If SR0 bit 0 is "0" then the accessed register area is always page 0.
- If SR0 bit 0 is "1" then the accessed register page is controlled by the proper IDH register's value.

So if you want to access the memory map area, clear the SR0.0 and use the direct addressing mode. This method is used for most cases.

This control register is divided into five areas. Here, the system control register area is same in every device.

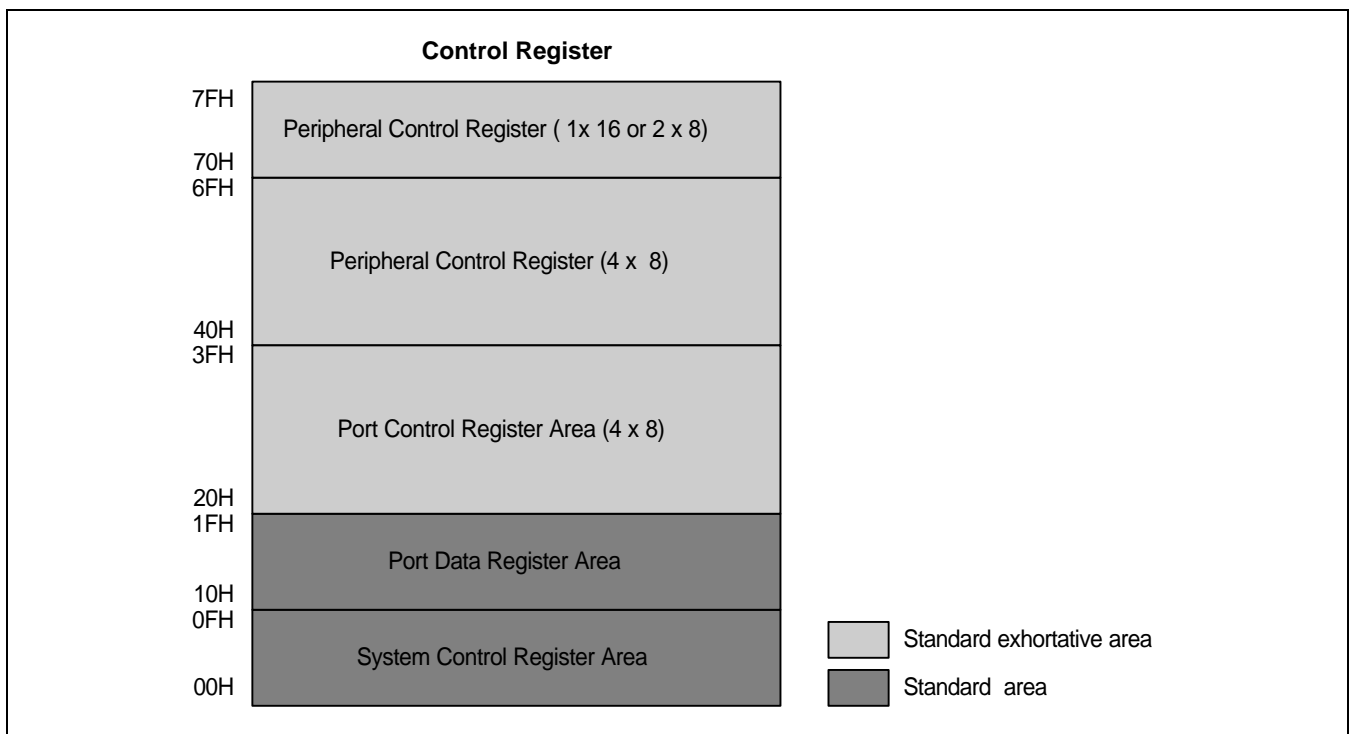


Figure 4-1. Memory Map Area

Table 4-1. Registers

Register Name	Mnemonic	Decimal	Hex	Reset	R/W
Locations 18H-1FH are not mapped					
Port 7 data register	P7	23	17H	00H	R/W
Port 6 data register	P6	22	16H	00H	R/W
Port 5 data register	P5	21	15H	00H	R/W
Port 4 data register	P4	20	14H	00H	R/W
Port 3 data register	P3	19	13H	00H	R/W
Port 2 data register	P2	18	12H	00H	R/W
Port 1 data register	P1	17	11H	00H	R/W
Port 0 data register	P0	16	10H	00H	R/W
Locations 0EH-0FH are not mapped.					
Watchdog timer control register	WDTCON	13	0DH	X0H	R/W
Basic timer counter	BTCNT	12	0CH	00H	R
Interrupt ID register 1	IIR1	11	0BH	–	R/W
Interrupt priority register 1	IPR1	10	0AH	–	R/W
Interrupt mask register 1	IMR1	9	09H	00H	R/W
Interrupt request register 1	IRQ1	8	08H	–	R
Interrupt ID register 0	IIR0	7	07H	–	R/W
Interrupt priority register 0	IPR0	6	06H	–	R/W
Interrupt mask register 0	IMR0	5	05H	00H	R/W
Interrupt request register 0	IRQ0	4	04H	–	R
Oscillator control register	OSCCON	3	03H	00H	R/W
Power control register	PCON	2	02H	<b>04H</b>	R/W
Locations 00H-01H are not mapped.					

**NOTES:**

- '–' means undefined.
- If you want to clear the bit of IRQx, then write the number that you want to clear to IIRx. For example, when clear IRQ0.4 then LD Rx, #04H and LD IIR0, Rx.



Table 4-1. Registers (Continued)

Register Name	Mnemonic	Decimal	Hex	Reset	R/W
Timer 2 counter	T2CNT	82	52H	–	R
Timer 2 data register	T2DATA	81	51H	FFH	R/W
Timer 2 control register	T2CON	80	50H	00H	R/W
Locations 4DH-4FH are not mapped					
Timer 1 counter (low byte)	T1CNTL	76	4CH	–	R
Timer 1 counter (high byte)	T1CNTH	75	4BH	–	R
Timer 1 data register (low byte)	T1DATAL	74	4AH	FFH	R/W
Timer 1 data register (high byte)	T1DATAH	73	49H	FFH	R/W
Timer 1 control register	T1CON	72	48H	00H	R/W
Locations 45H-47H are not mapped					
Timer 0 counter (low byte)	T0CNTL	68	44H	–	R
Timer 0 counter (high byte)	T0CNTH	67	43H	–	R
Timer 0 data register (low byte)	T0DATAL	66	42H	FFH	R/W
Timer 0 data register (high byte)	T0DATAH	65	41H	FFH	R/W
Timer 0 control register	T0CON	64	40H	00H	R/W
Location 36H-3FH are not mapped					
Port 7 control register	P7CON	53	35H	00H	R/W
Port 6 control register	P6CON	52	34H	00H	R/W
Port 5 control register (low byte)	P5CONL	51	33H	00H	R/W
Port 5 control register (high byte)	P5CONH	50	32H	00H	R/W
Port 4 control register (low byte)	P4CONL	49	31H	00H	R/W
Port 4 control register (high byte)	P4CONH	48	30H	00H	R/W
Location 2CH-2FH are not mapped					
Port 3 control register (low byte)	P3CONL	43	2BH	00H	R/W
Port 3 control register (high byte)	P3CONH	42	2AH	00H	R/W
Port 2 control register (low byte)	P2CONL	41	29H	00H	R/W
Port 2 control register (high byte)	P2CONH	40	28H	00H	R/W
Locations 23H-27H are not mapped					
Port 1 pull-up control register	P1PUR	34	22H	00H	R/W
Port 1 control register	P1CON	33	21H	00H	R/W
Port 0 control register	P0CON	32	20H	00H	R/W

Table 4-1. Registers (Continued)

Register Name	Mnemonic	Decimal	Hex	Reset	R/W
Locations 78H-7FH are not mapped					
OP amp control register	OPCON	119	77H	00H	R/W
D/A converter data register (low byte)	DADATAL	118	76H	00H	R/W
D/A converter data register (high byte)	DADATAH	117	75H	00H	R/W
D/A converter control register	DACON	116	74H	00H	R/W
Locations 73H is not mapped					
Main system clock output control register	CLOCON	114	72H	00H	R/W
Locations 71H is not mapped					
Watch timer control register	WTCON	112	70H	00H	R/W
Location 64H-6FH are not mapped					
LCD port control register 2	LPOT2	99	63H	00H	R/W
LCD port control register 1	LPOT1	98	62H	00H	R/W
LCD mode register	LMOD	97	61H	00H	R/W
LCD control register	LCON	96	60H	00H	R/W
Location 5FH is not mapped					
A/D converter data register (low byte)	ADDATAL	94	5EH	–	R
A/D converter data register (high byte)	ADDATAH	93	5DH	–	R
A/D converter control register	ADCON	92	5CH	00H	R/W
Locations 5BH is not mapped					
Serial I/O data register	SIODATA	90	5AH	00H	R/W
Serial I/O pre-scaler register	SIOPS	89	59H	00H	R/W
Serial I/O control register	SIOCON	88	58H	00H	R/W
Timer 3 counter	T3CNT	87	57H	–	R
Timer 3 data register (low byte)	T3DATAL	86	56H	FFH	R/W
Timer 3 data register (high byte)	T3DATAH	85	55H	FFH	R/W
Timer 3 control register	T3CON	84	54H	00H	R/W
Locations 53H is not mapped					

# 5

## HARDWARE STACK

### OVERVIEW

The hardware stack in CalmRISC has two usages:

- To save and restore the return PC[19:0] on LCALL, CALLS, RET, and IRET instructions.
- Temporary storage space for registers on PUSH and POP instructions.

When PC[19:0] is saved into or restored from the hardware stack, the access should be 20 bits wide. On the other hand, when a register is pushed into or popped from the hardware stack, the access should be 8 bits wide. Hence, to maximize the efficiency of the stack usage, the hardware stack is divided into 3 parts: the extended stack bank (XSTACK, 4-bits wide), the odd bank (8-bits wide), and the even bank (8-bits wide).

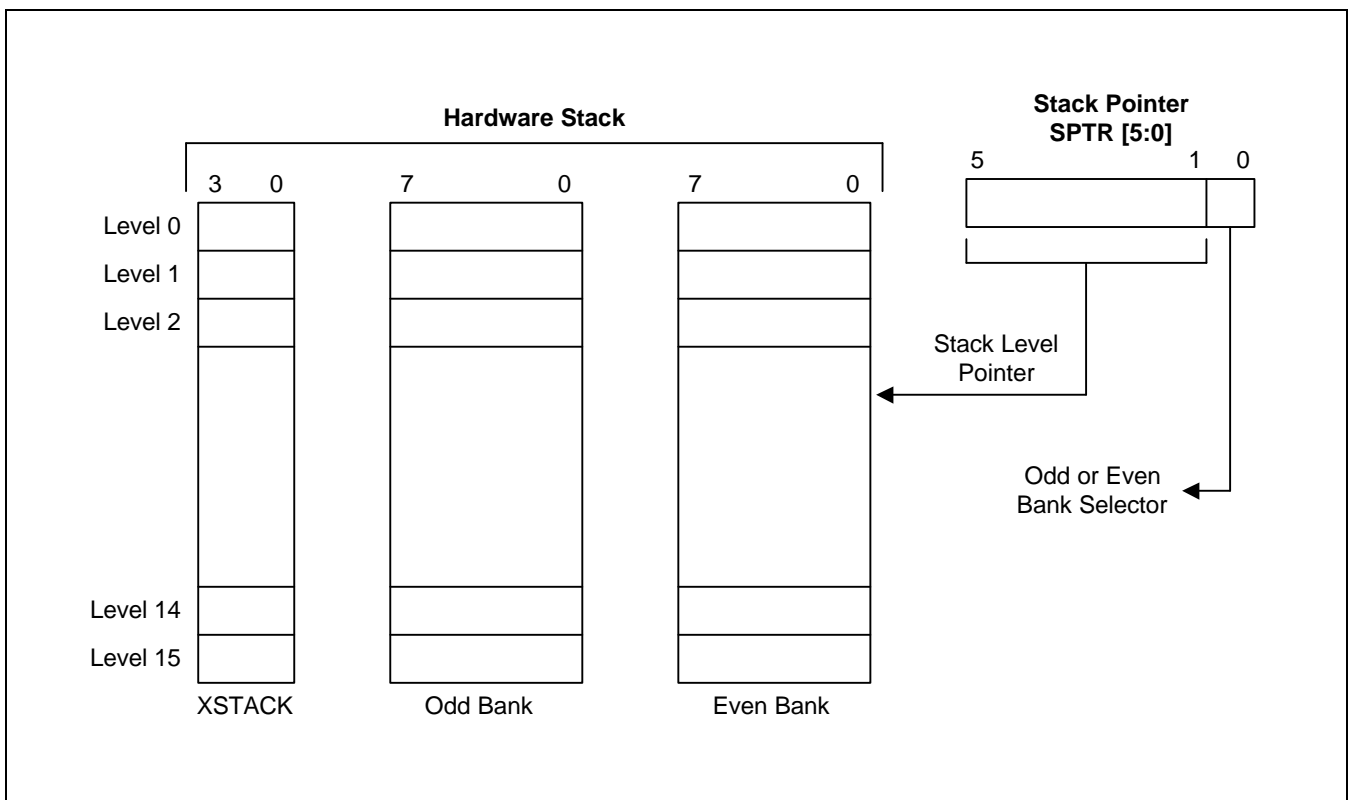
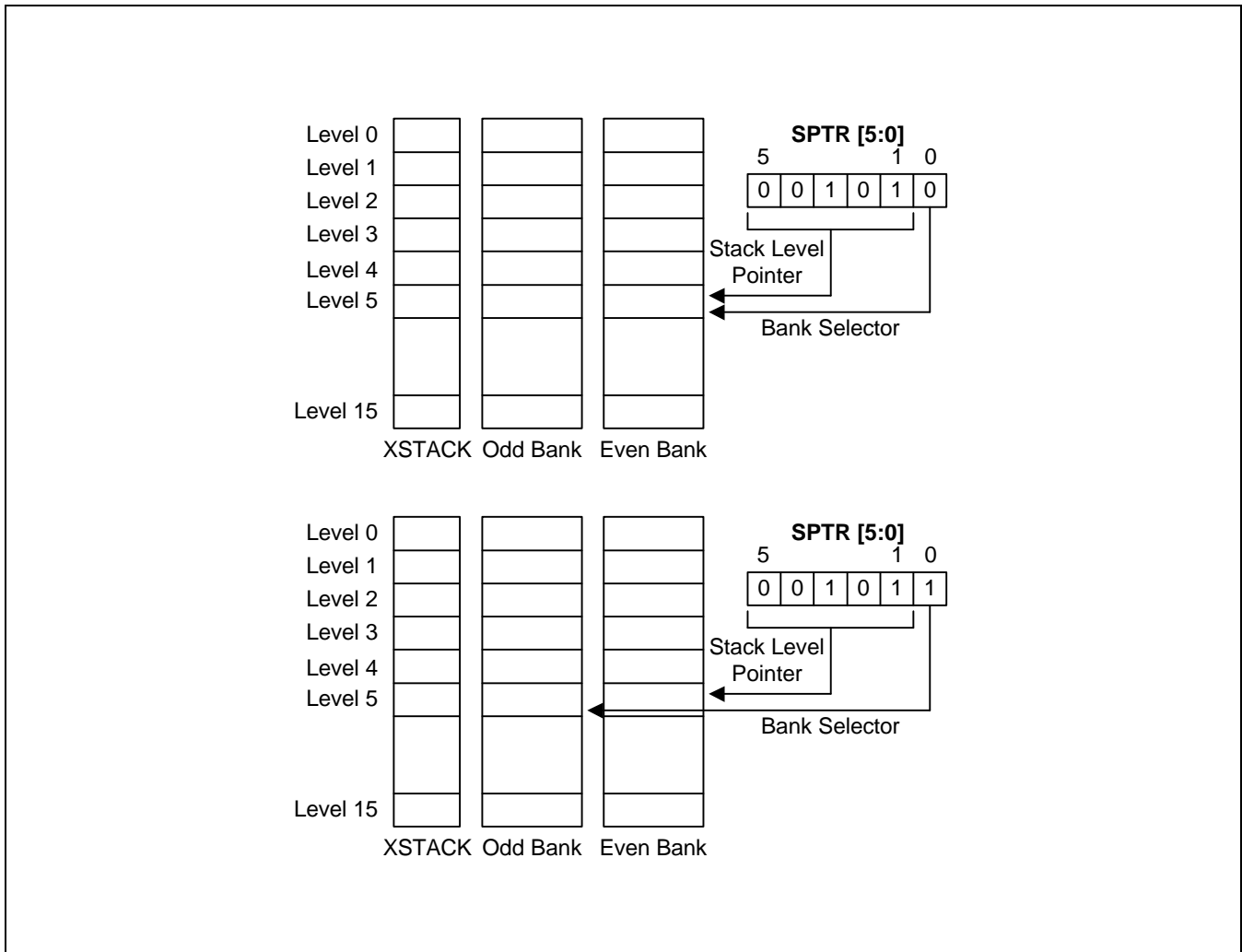


Figure 5-1. Hardware Stack

The top of the stack (TOS) is pointed to by a stack pointer, called **sptr[5:0]**. The upper 5 bits of the stack pointer, **sptr[5:1]**, points to the stack level into which either PC[19:0] or a register is saved. For example, if **sptr[5:1]** is 5H or TOS is 5, then level 5 of XSTACK is empty and either level 5 of the odd bank or level 5 of the even bank is empty. In fact, **sptr[0]**, the stack bank selection bit, indicates which bank(s) is empty. If **sptr[0] = 0**, both level 5 of the even and the odd banks are empty. On the other hand, if **sptr[0] = 1**, level 5 of the odd bank is empty, but level 5 of the even bank is occupied. This situation is well illustrated in the figure below.



**Figure 5-2. Even and Odd Bank Selection Example**

As can be seen in the above example, **sptr[5:1]** is used as the hardware stack pointer when PC[19:0] is pushed or popped and **sptr[5:0]** as the hardware stack pointer when a register is pushed or popped. Note that XSTACK is used only for storing and retrieving PC[19:16]. Let us consider the cases where PC[19:0] is pushed into the hardware stack (by executing LCALL/CALLS instructions or by interrupts/exceptions being served) or is retrieved from the hardware stack (by executing RET/IRET instructions). Regardless of the stack bank selection bit (**sptr[0]**), TOS of the even bank and the odd bank store or return PC[7:0] or PC[15:8], respectively. This is illustrated in the following figures.

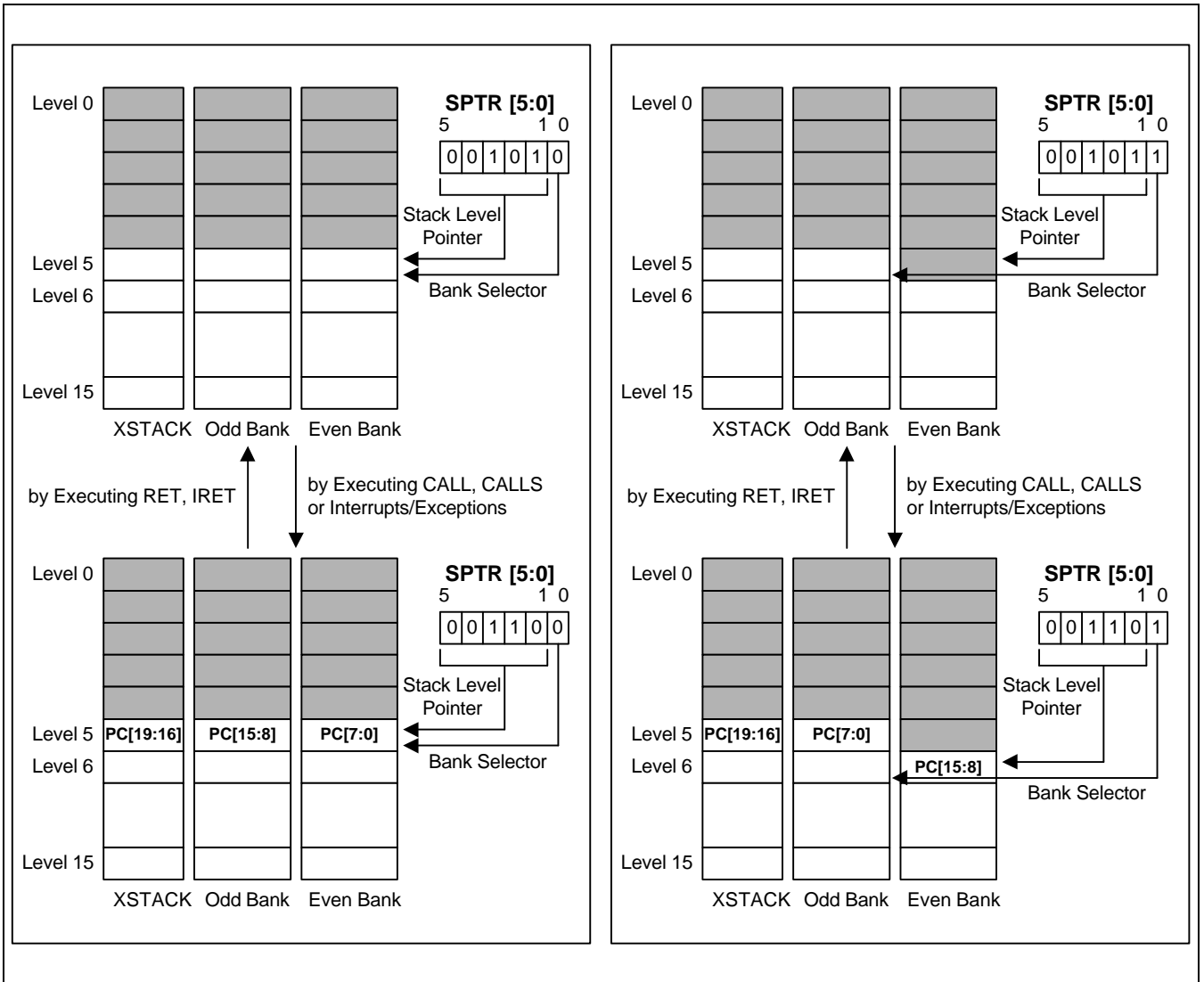


Figure 5-3. Stack Operation with PC [19:0]

As can be seen in the figures, when stack operations with PC[19:0] are performed, the stack level pointer  $sptr[5:1]$  (not  $sptr[5:0]$ ) is either incremented by 1 (when PC[19:0] is pushed into the stack) or decremented by 1 (when PC[19:0] is popped from the stack). The stack bank selection bit ( $sptr[0]$ ) is unchanged. If a CalmRISC core input signal  $nP64KW$  is 0, which signifies that only PC[15:0] is meaningful, then any access to XSTACK is totally deactivated from the stack operations with PC. Therefore, XSTACK has no meaning when the input pin signal,  $nP64KW$ , is tied to 0. In that case, XSTACK doesn't have to even exist. As a matter of fact, XSTACK is not included in CalmRISC core itself and it is interfaced through some specially reserved core pin signals ( $nPUSH$ ,  $nSTACK$ ,  $XHSI[3:0]$ ,  $XSHO[3:0]$ ), if the program address space is more than 64 K words (See the core pin signal section for details).

With regards to stack operations with registers, a similar argument can be made. The only difference is that the data written into or read from the stack are a byte. Hence, the even bank and the odd bank are accessed alternately as shown below.

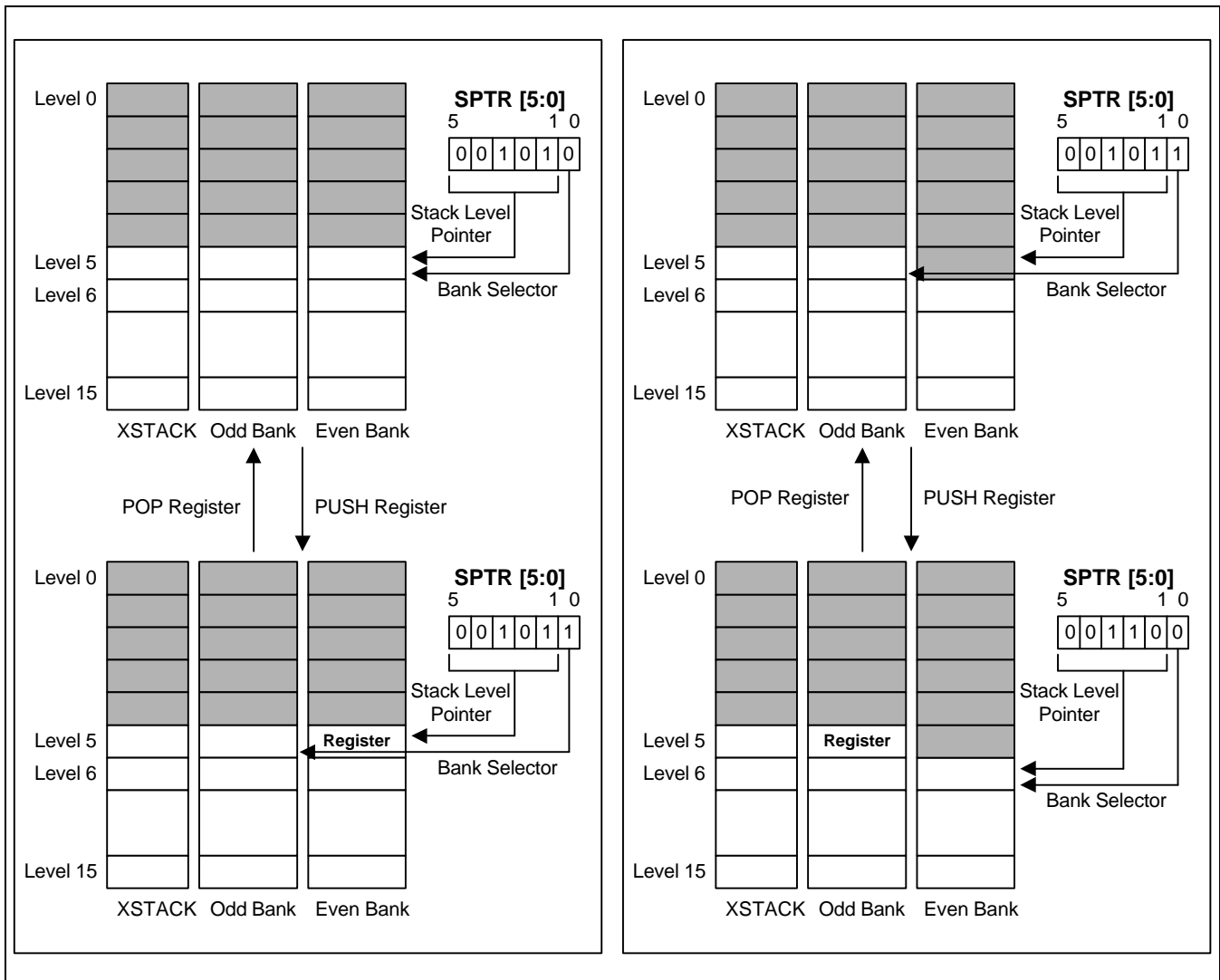


Figure 5-4. Stack Operation with Registers

When the bank selection bit ( $sptr[0]$ ) is 0, then the register is pushed into the even bank and the bank selection bit is set to 1. In this case, the stack level pointer is unchanged. When the bank selection bit ( $sptr[0]$ ) is 1, then the register is pushed into the odd bank, the bank selection bit is set to 0, and the stack level pointer is incremented by 1. Unlike the push operations of PC[19:0], any data are not written into XSTACK in the register push operations. This is illustrated in the example figures. When a register is pushed into the stack,  $sptr[5:0]$  is incremented by 1 (not the stack level pointer  $sptr[5:1]$ ). The register pop operations are the reverse processes of the register push operations. When a register is popped out of the stack,  $sptr[5:0]$  is decremented by 1 (not the stack level pointer  $sptr[5:1]$ ).

Hardware stack overflow/underflow happens when the MSB of the stack level pointer,  $sptr[5]$ , is 1. This is obvious from the fact that the hardware stack has only 16 levels and the following relationship holds for the stack level pointer in a normal case.

Suppose the stack level pointer  $sptr[5:1] = 15$  (or 01111B in binary format) and the bank selection bit  $sptr[0] = 1$ . Here if either PC[19:0] or a register is pushed, the stack level pointer is incremented by 1. Therefore,  $sptr[5:1] = 16$  (or 10000B in binary format) and  $sptr[5] = 1$ , which implies that the stack is overflowed. The situation is depicted in the following.

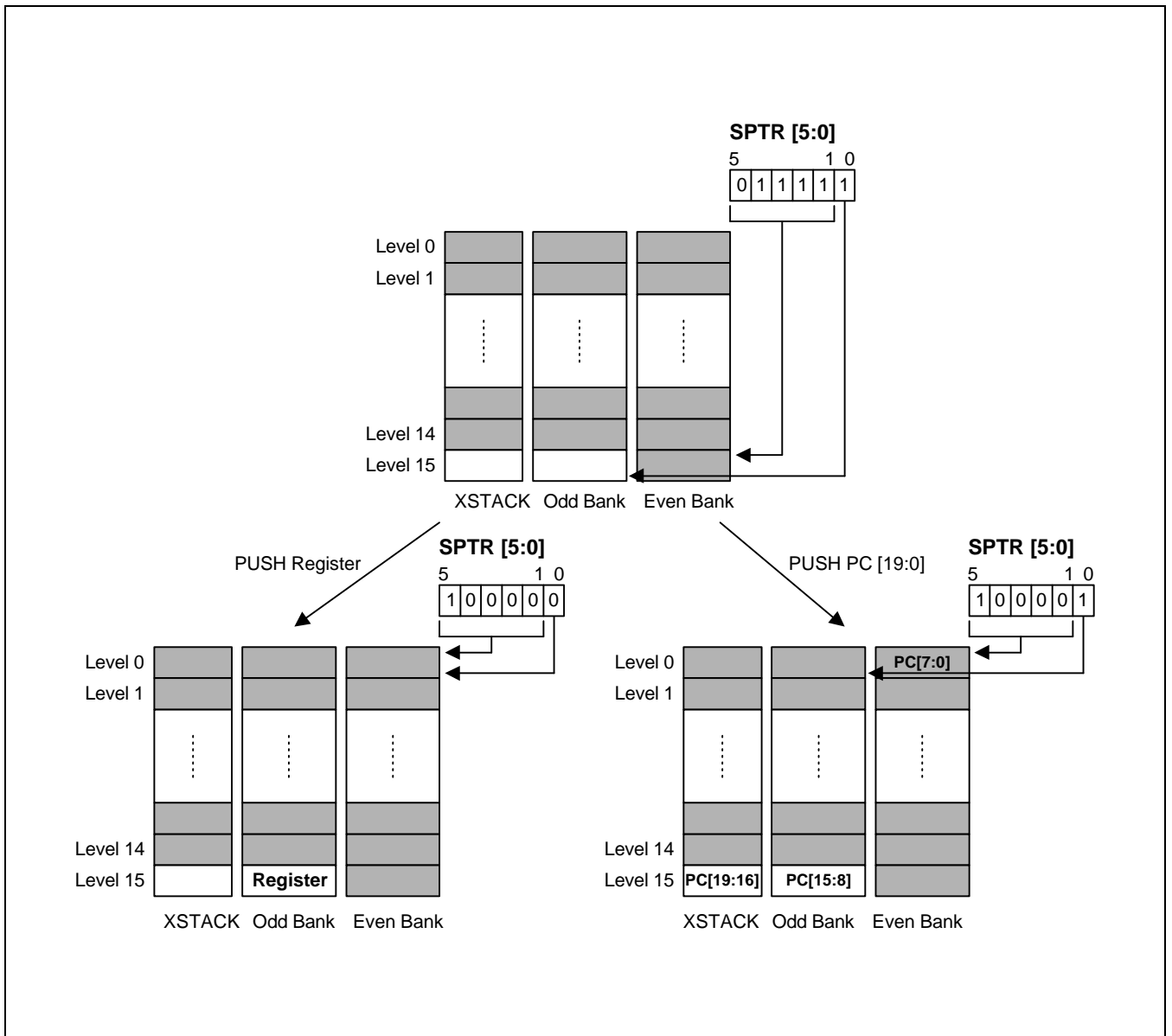


Figure 5-5. Stack Overflow

The first overflow happens due to a register push operation. As explained earlier, a register push operation increments  $\text{sptr}[5:0]$  (not  $\text{sptr}[5:1]$ ), which results in  $\text{sptr}[5] = 1$ ,  $\text{sptr}[4:1] = 0$  and  $\text{sptr}[0] = 0$ . As indicated by  $\text{sptr}[5] = 1$ , an overflow happens. Note that this overflow doesn't overwrite any data in the stack. On the other hand, when  $\text{PC}[19:0]$  is pushed,  $\text{sptr}[5:1]$  is incremented by 1 instead of  $\text{sptr}[5:0]$ , and as expected, an overflow results. Unlike the first overflow,  $\text{PC}[7:0]$  is pushed into level 0 of the even bank and the data that has been there before the push operation is *overwritten*. A similar argument can be made about stack underflows. Note that any stack operation, which causes the stack to overflow or underflow, doesn't necessarily mean that any data in the stack are lost, as is observed in the first example.

In SR1, there is a status flag, SF (Stack Full Flag), which is exactly the same as  $\text{sptr}[5]$ . In other words, the value of  $\text{sptr}[5]$  can be checked by reading SF (or SR1[4]). SF is not a sticky flag in the sense that if there was a stack overflow/underflow but any following stack access instructions clear  $\text{sptr}[5]$  to 0, then  $\text{SF} = 0$  and programmers cannot tell whether there was a stack overflow/underflow by reading SF. For example, if a program pushes a register 64 times in a row,  $\text{sptr}[5:0]$  is exactly the same as  $\text{sptr}[5:0]$  before the push sequence. Therefore, special attention should be paid.

Another mechanism to detect a stack overflow/underflow is through a stack exception. A stack exception happens only when the execution of any stack access instruction results in  $\text{SF} = 1$  (or  $\text{sptr}[5] = 1$ ). Suppose a register push operation makes  $\text{SF} = 1$  (the SF value before the push operation doesn't matter). Then the stack exception due to the push operation is immediately generated and served if the stack exception enable flag (exe of SR0) is 1. If the stack exception enable flag is 0, then the generated interrupt is not served but pending. Sometime later when the stack exception enable flag is set to 1, the pending exception request is served even if  $\text{SF} = 0$ . More details are available in the stack exception section.



# 6

## EXCEPTIONS

### OVERVIEW

Exceptions in CalmRISC are listed in the table below. Exception handling routines, residing at the given addresses in the table, are invoked when the corresponding exception occurs. The start address of each exception routine is specified by concatenation 0H (leading 4 bits of 0) and the 16-bit data in the exception vector listed in the table. For example, the interrupt service routine for  $IRQ[0]$  starts from 0H:PM[00002H]. Note that ":" means concatenation and PM[\*] stands for the 16-bit content at the address \* of the program memory. Aside from the exception due to reset release, the current PC is pushed in the stack on an exception. When an exception is executed due to  $IRQ[1:0]/IEXP$ , the global interrupt enable flag, ie bit (SR0[1]), is set to 0, whereas ie is set to 1 when IRET or an instruction that explicitly sets ie is executed.

**Table 6-1. Exceptions**

Name	Address	Priority	Description
Reset	00000H	1st	Exception due to reset release.
–	00001H	–	Reserved
IRQ[0]	00002H	3rd	Exception due to $nIRQ[0]$ signal. Maskable by setting ie/ie0.
IRQ[1]	00003H	4th	Exception due to $nIRQ[1]$ signal. Maskable by setting ie/ie1.
IEXP	00004H	2nd	Exception due to stack full. Maskable by setting exe.
–	00005H	–	Reserved.
–	00006H	–	Reserved.
–	00007H	–	Reserved.

**NOTE:** Break mode due to BKREQ has a higher priority than all the exceptions above. That is, when BKREQ is active, even the exception due to reset release is not executed.

### HARDWARE RESET

When Hardware Reset is active (the reset input signal pin  $nRES = 0$ ), the control pins in the CalmRISC core are initialized to be disabled, and SR0 and sptr (the hardware stack pointer) are initialized to be 0. Additionally, the interrupt sensing block is cleared. When Hardware Reset is released ( $nRES = 1$ ), the reset exception is executed by loading the JP instruction in IR (Instruction Register) and 0h:0000h in PC. Therefore, when Hardware Reset is released, the "JP {0h:PM[00000h]}" instruction is executed.

### IRQ[0] EXCEPTION

When a core input signal  $nIRQ[0]$  is low,  $SR0[6]$  (ie0) is high, and  $SR0[1]$  (ie) is high, IRQ[0] exception is generated, and this will load the CALL instruction in IR (Instruction Register) and 0h:0002h in PC. Therefore, on an IRQ[0] exception, the "CALL {0h:PM[00002h]}" instruction is executed. When the IRQ[0] exception is executed,  $SR0[1]$  (ie) is set to 0.

### IRQ[1] EXCEPTION (LEVEL-SENSITIVE)

When a core input signal  $nIRQ[1]$  is low,  $SR0[7]$  (ie1) is high, and  $SR0[1]$  (ie) is high, IRQ[1] exception is generated, and this will load the CALL instruction in IR (Instruction Register) and 0h:0003h in PC. Therefore, on an IRQ[1] exception, the "CALL {0h:PM[00003h]}" instruction is executed. When the IRQ[1] exception is executed,  $SR0[1]$  (ie) is set to 0.

### HARDWARE STACK FULL EXCEPTION

A Stack Full exception occurs when a stack operation is performed and as a result of the stack operation  $sptr[5]$  (SF) is set to 1. If the stack exception enable bit,  $exe$  ( $SR0[5]$ ), is 1, the Stack Full exception is served. One exception to this rule is when nNMI causes a stack operation that sets  $sptr[5]$  (SF), since it has higher priority.

Handling a Stack Full exception may cause another Stack Full exception. In this case, the new exception is ignored. On a Stack Full exception, the CALL instruction is loaded in IR (Instruction Register) and 0h:0004h in PC. Therefore, when the Stack Full exception is activated, the "CALL {0h:PM[00004h]}" instruction is executed. When the exception is executed,  $SR0[1]$  (ie) is set to 0.

### BREAK EXCEPTION

Break exception is reserved only for an in-circuit debugger. When a core input signal,  $BKREQ$ , is high, the CalmRISC core is halted or in the break mode, until  $BKREQ$  is deactivated. Another way to drive the CalmRISC core into the break mode is by executing a break instruction, BREAK. When BREAK is fetched, it is decoded in the fetch cycle (IF stage) and the CalmRISC core output signal  $nBKACK$  is generated in the second cycle (ID/MEM stage). An in-circuit debugger generates  $BKREQ$  active by monitoring  $nBKACK$  to be active. BREAK instruction is exactly the same as the NOP (no operation) instruction except that it does not increase the program counter and activates  $nBKACK$  in the second cycle (or ID/MEM stage of the pipeline). There, once BREAK is encountered in the program execution, it falls into a deadlock. BREAK instruction is reserved for in-circuit debuggers only, so it should not be used in user programs.

## EXCEPTIONS (or INTERRUPTS)

LEVEL	VECTOR	SOURCE	RESET (CLEAR)
RESET	00000H	RESET	-
NMI	00001H	Not used	-
IVEC0	00002H	Timer 0 match/capture	H/W, S/W
		Timer 0 overflow	H/W, S/W
		Timer 1 match	H/W, S/W
		Timer 2 match	H/W, S/W
		Timer 2 overflow	H/W, S/W
		Timer 3 match	H/W, S/W
		SIO INT	H/W, S/W
		Basic Timer overflow	H/W, S/W
IVEC1	00003H	Watch timer	H/W, S/W
		INT 0	H/W, S/W
		INT 1	H/W, S/W
		INT 2	H/W, S/W
		INT 3	H/W, S/W
SF_EXCEP	00004H	Stack Full INT	H/W

**NOTES:**

1. RESET has the highest priority for an interrupt level, followed by SF\_EXCEP, IVEC0 and IVEC1.
2. In the case of IVEC0 and IVEC1, one interrupt vector has several interrupt sources. The priority of the sources is controlled by setting the IPR register.
3. External interrupts are triggered by rising or falling edge, depending on the corresponding control register setting.
4. After system reset, the IPR register is in unknown status, so it must be set the IPR register with proper value.
5. The pending bit is cleared by hardware when CPU reads the IIR register value.

Figure 6-1. Interrupt Structure

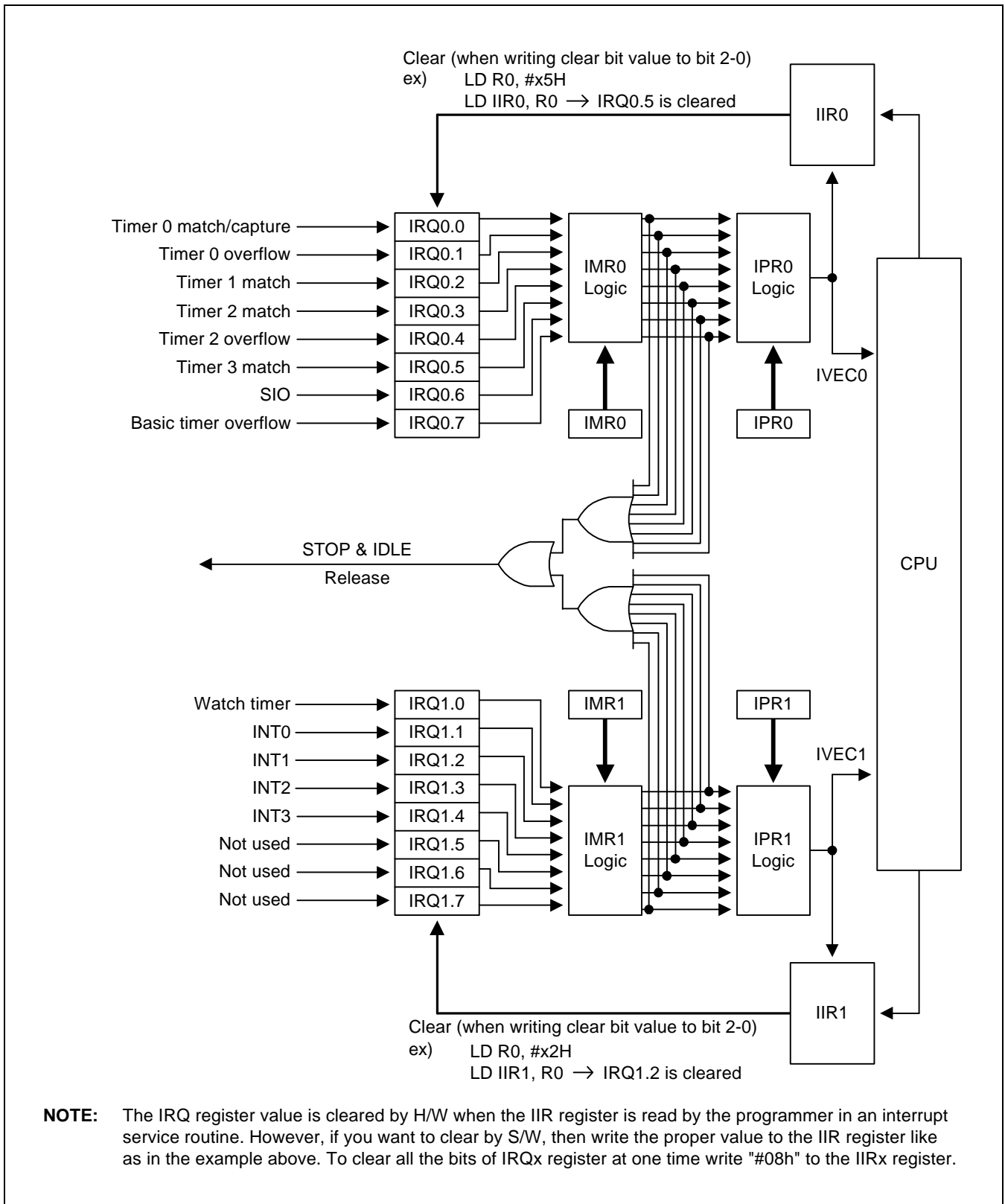


Figure 6-2. Interrupt Structure

## INTERRUPT MASK REGISTERS

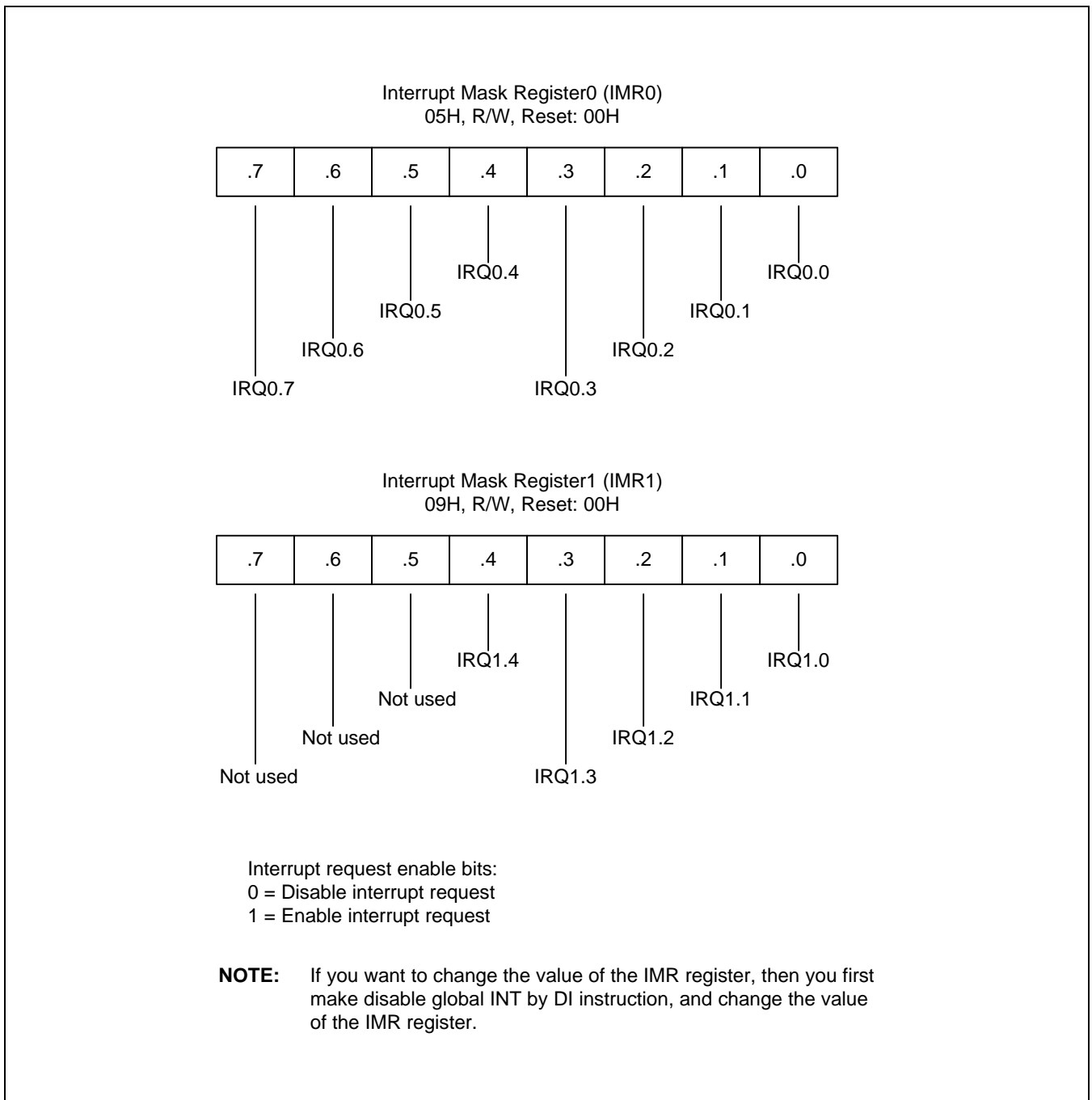


Figure 6-3. Interrupt Mask Register

INTERRUPT PRIORITY REGISTER

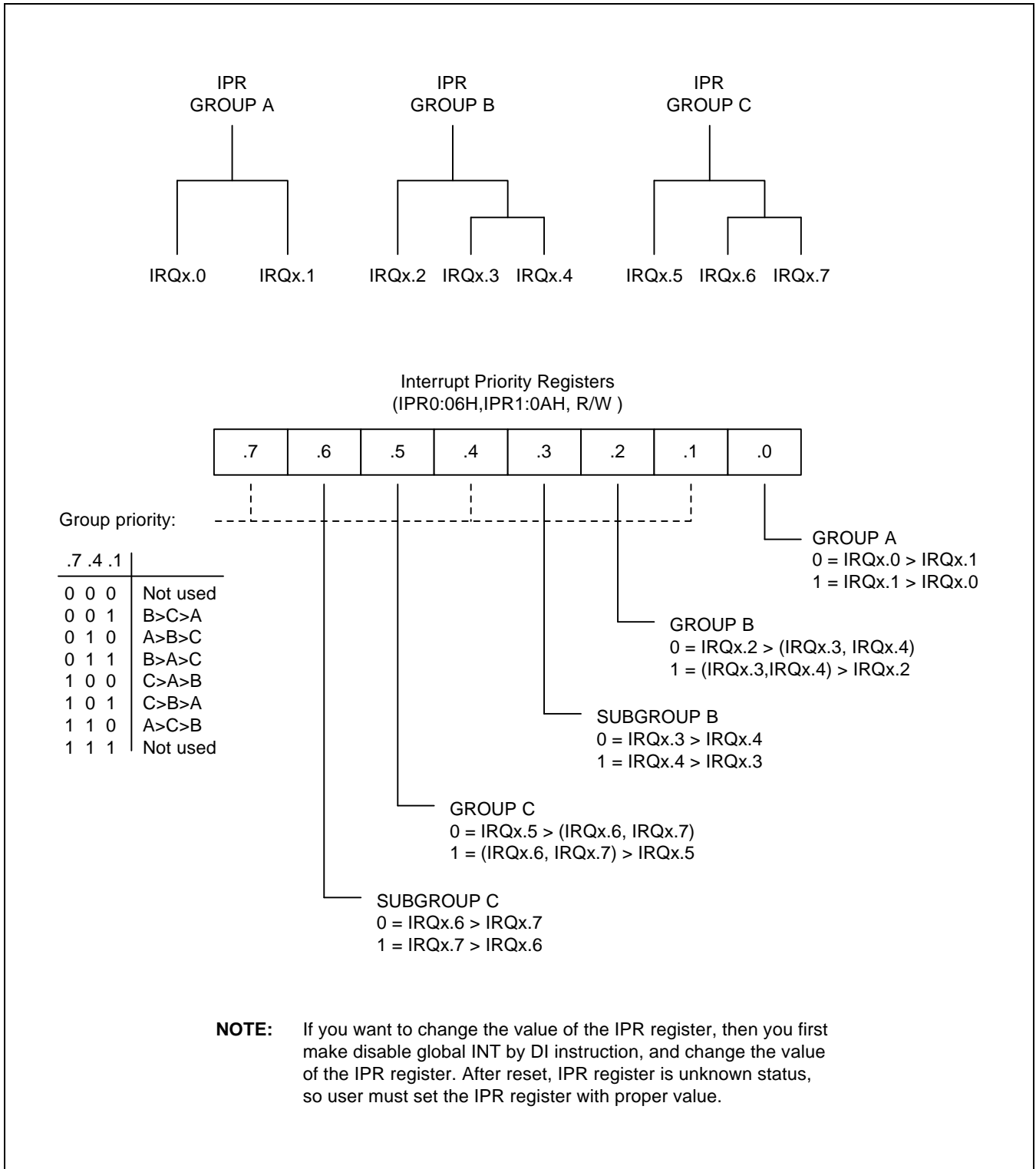


Figure 6-4. Interrupt Priority Register

 **PROGRAMMING TIP — Interrupt Programming Tip 1**

Jumped from vector 2

```

        PUSH    SR1
        PUSH    R0
        LD     R0, IIR00
        CP     R0, #03h
        JR     ULE, LTE03
        CP     R0, #05h
        JR     ULE, LTE05
        CP     R0, #06h
        JP     EQ, IRQ6_srv
        JP     T, IRQ7_srv
LTE05   CP     R0, #04
        JP     EQ, IRQ4_srv
        JP     T, IRQ5_srv
LTE03   CP     R0, #01
        JR     ULE, LTE01
        CP     R0, #02
        JP     EQ, IRQ2_srv
        JP     T, IRQ3_srv
LTE01   CP     R0, #00h
        JP     EQ, IRQ0_srv
        JP     T, IRQ1_srv
IRQ0_srv ; → service for IRQ0
        .
        POP     R0
        POP     SR1
        IRET
IRQ1_srv ; → service for IRQ1
        .
        .
        POP     R0
        POP     SR1
        IRET
        .
        .
IRQ7_srv ; → service for IRQ7
        .
        .
        POP     R0
        POP     SR1
        IRET

```

**NOTE**

If the SR0 register is changed in the interrupt service routine, then the SR0 register must be pushed and popped in the interrupt service routine.

 **PROGRAMMING TIP — Interrupt Programming Tip 2**

Jumped from vector 2

```

        PUSH    SR1
        PUSH    R0
        PUSH    R1
        LD      R0, IIR00
        SL      R0
        LD      R1, # < TBL_INTx
        ADD     R0, # > TBL_INTx
        LD      ILH, R1
        LD      ILL, R0
        LRET
TBL_INTx LJP      IRQ0_svr
        LJP      IRQ1_svr
        LJP      IRQ2_svr
        LJP      IRQ3_svr
        LJP      IRQ4_svr
        LJP      IRQ5_svr
        LJP      IRQ6_svr
        LJP      IRQ7_svr
IRQ0_srv ; → service for IRQ0
        .
        .
        POP     R1
        POP     R0
        POP     SR1
        IRET
IRQ1_srv ; → service for IRQ1
        .
        .
        POP     R1
        POP     R0
        POP     SR1
        IRET
        .
        .
IRQ7_srv ; → service for IRQ7
        .
        .
        POP     R1
        POP     R0
        POP     SR1
        IRET

```

**NOTE**

1. If the SR0 register is changed in the interrupt service routine, then the SR0 register must be pushed and popped in the interrupt service routine.
2. Above example is assumed that ROM size is less than 64K-word and all the LJP instructions in the jump table (TBL\_INTx) is in the same page.



# 7 INSTRUCTION SET

## OVERVIEW

### GLOSSARY

This chapter describes the CalmRISC instruction set and the details of each instruction are listed in alphabetical order. The following notations are used for the description.

**Table 7-1. Instruction Notation Conventions**

Notation	Interpretation
<opN>	Operand N. N can be omitted if there is only one operand. Typically, <op1> is the destination (and source) operand and <op2> is a source operand.
GPR	General Purpose Register
SPR	Special Purpose Register (IDL0, IDL1, IDH, SR0, ILX, ILH, ILL, SR1)
adr:N	N-bit address specifier
@idm	Content of memory location pointed by ID0 or ID1
(adr:N)	Content of memory location specified by adr:N
cc:4	4-bit condition code. Table 7-6 describes cc:4.
imm:N	N-bit immediate number
&	Bit-wise AND
	Bit-wise OR
~	Bit-wise NOT
^	Bit-wise XOR
N**M	Mth power of N
(N) <sub>M</sub>	M-based number N

As additional note, only the affected flags are described in the tables in this section. That is, if a flag is not affected by an operation, it is NOT specified.

## INSTRUCTION SET MAP

Table 7-2. Overall Instruction Set Map

IR	[12:10]000	001	010	011	100	101	110	111
[15:13,7:2] 000 xxxxxx	ADD GPR, #imm:8	SUB GPR, #imm:8	CP GPR, #imm8	LD GPR, #imm:8	TM GPR, #imm:8	AND GPR, #imm:8	OR GPR, #imm:8	XOR GPR, #imm:8
001 xxxxxx	ADD GPR, @idm	SUB GPR, @idm	CP GPR, @idm	LD GPR, @idm	LD @idm, GPR	AND GPR, @idm	OR GPR, @idm	XOR GPR, @idm
010 xxxxxx	ADD GPR, adr:8	SUB GPR, adr:8	CP GPR, adr:8	LD GPR, adr:8	BITT adr:8.bs		BITS adr:8.bs	
011 xxxxxx	ADC GPR, adr:8	SBC GPR, adr:8	CPC GPR, adr:8	LD adr:8, GPR	BITR adr:8.bs		BITC adr:8.bs	
100 000000	ADD GPR, GPR	SUB GPR, GPR	CP GPR, GPR	BMS/BM C	LD SPR0, #imm:8	AND GPR, adr:8	OR GPR, adr:8	XOR GPR, adr:8
100 000001	ADC GPR, GPR	SBC GPR, GPR	CPC GPR, GPR	<i>invalid</i>				
100 000010	<i>invalid</i>	<i>invalid</i>	<i>invalid</i>	<i>invalid</i>				
100 000011	AND GPR, GPR	OR GPR, GPR	XOR GPR, GPR	<i>invalid</i>				
100 00010x	SLA/SL/ RLC/RL/ SRA/SR/ RRC/RR/ GPR	INC/INCC /DEC/ DECC/ COM/ COM2/ COMC GPR	<i>invalid</i>	<i>invalid</i>				
100 00011x	LD SPR, GPR	LD GPR, SPR	SWAP GPR, SPR	LD TBH/TBL, GPR				
100 00100x	PUSH SPR	POP SPR	<i>invalid</i>	<i>invalid</i>				
100 001010	PUSH GPR	POP GPR	LD GPR, GPR	LD GPR, TBH/TBL				

Table 7-2. Overall Instruction Set Map (Continued)

IR	[12:10]000	001	010	011	100	101	110	111				
100 001011	POP	<i>invalid</i>	LDC	<i>invalid</i>	LD SPR0, #imm:8	AND GPR, adr:8	OR GPR, adr:8	XOR GPR, adr:8				
100 00110x	RET/LRET/ IRET/NOP/ BREAK	<i>invalid</i>	<i>invalid</i>	<i>invalid</i>								
100 00111x	<i>invalid</i>	<i>invalid</i>	<i>invalid</i>	<i>invalid</i>								
100 01xxxx	LD GPR:bank, GPR:bank	AND SR0, #imm:8	OR SR0, #imm:8	BANK #imm:2								
100 100000 100 110011	<i>invalid</i>	<i>invalid</i>	<i>invalid</i>	<i>invalid</i>								
100 1101xx	LCALL cc:4, imm:20 (2-word instruction)											
100 1110xx	LLNK cc:4, imm:20 (2-word instruction)											
100 1111xx	LJP cc:4, imm:20 (2-word instruction)											
[15:10] 101 xxx	JR cc:4, imm:9											
110 0xx	CALLS imm:12											
110 1xx	LNKS imm:12											
111 xxx	CLD GPR, imm:8 / CLD imm:8, GPR / JNZD GPR, imm:8 / SYS #imm:8 / COP #imm:12											

**NOTE:** “*invalid*” - invalid instruction.

Table 7-3. Instruction Encoding

Instruction	15	14	13	12	11	10	9	8	7	6	5	4	3	2	1	0
ADD GPR, #imm:8	000			000			GPR		imm[7:0]							
SUB GPR, #imm:8				001												
CP GPR, #imm:8				010												
LD GPR, #imm:8				011												
TM GPR, #imm:8				100												
AND GPR, #imm:8				101												
OR GPR, #imm:8				110												
XOR GPR, #imm:8				111												
ADD GPR, @idm	001			000			GPR		idx	mod		offset[4:0]				
SUB GPR, @idm				001												
CP GPR, @idm				010												
LD GPR, @idm				011												
LD @idm, GPR				100												
AND GPR, @idm				101												
OR GPR, @idm				110												
XOR GPR, @idm				111												
ADD GPR, adr:8	010			000			GPR		adr[7:0]							
SUB GPR, adr:8				001												
CP GPR, adr:8				010												
LD GPR, adr:8				011												
BITT adr:8.bs				10	bs											
BITS adr:8.bs				11												
ADC GPR, adr:8	011			000			GPR		adr[7:0]							
SBC GPR, adr:8				001												
CPC GPR, adr:8				010												
LD adr:8, GPR				011												
BITR adr:8.bs				10	bs											
BITC adr:8.bs				11												

Table 7-3. Instruction Encoding (Continued)

Instruction	15	14	13	12	11	10	9	8	7	6	5	4	3	2	1	0
ADD GPRd, GPRs	100			000			GPRd		000000						GPRs	
SUB GPRd, GPRs				001												
CP GPRd, GPRs				010												
BMS/BMC				011												
ADC GPRd, GPRs				000					000001							
SBC GPRd, GPRs				001												
CPC GPRd, GPRs				010												
invalid				011												
invalid				ddd					000010							
AND GPRd, GPRs				000					000011							
OR GPRd, GPRs				001												
XOR GPRd, GPRs				010												
invalid				011												
ALUop1				000			GPR		00010						ALUop1	
ALUop2				001			GPR								ALUop2	
invalid				010–011			xx								xxx	
LD SPR, GPR				000			GPR		00011						SPR	
LD GPR, SPR				001			GPR								SPR	
SWAP GPR, SPR				010			GPR								SPR	
LD TBL, GPR				011			GPR								x 0 x	
LD TBH, GPR															x 1 x	
PUSH SPR				000			xx		00100						SPR	
POP SPR				001			xx								SPR	
invalid				010–011			xx								xxx	
PUSH GPR				000			GPR		001010						GPR	
POP GPR				001			GPR								GPR	
LD GPRd, GPRs				010			GPRd								GPRs	
LD GPR, TBL				011			GPR								0 x	
LD GPR, TBH															1 x	
POP				000			xx		001011						xx	
LDC @IL				010											0 x	
LDC @IL+															1 x	
Invalid				001, 011											xx	

NOTE: "x" means not applicable.

Table 7-3. Instruction Encoding (Concluded)

Instruction	15-13	12	11	10	9	8	7	6	5	4	3	2	1	0	2 <sup>nd</sup> word	
MODop1	100	000		xx		00110			MODop1			-				
Invalid		001-011		xx					xxx							
Invalid		000		xx		01			xxxxxx							
AND SR0, #imm:8		001		imm[7:6]					imm[5:0]							
OR SR0, #imm:8		010		imm[7:6]												
BANK #imm:2		011		xx					x	imm [1:0]		xxx				
Invalid		0	xxxx					10000000-11001111								
LCALL cc, imm:20			cc					1101		imm[19:16]			imm[15:0]			
LLNK cc, imm:20								1110								
LJP cc, imm:20								1111								
LD SPR0, #imm:8		1	00		SPR0					IMM[7:0]			-			
AND GPR, adr:8			01		GPR					ADR[7:0]						
OR GPR, adr:8			10													
XOR GPR, adr:8			11													
JR cc, imm:9	101	imm [8]	cc								imm[7:0]					
CALLS imm:12	110	0										imm[11:0]				
LNKS imm:12		1														
CLD GPR, imm:8	111	0	00		GPR					imm[7:0]						
CLD imm:8, GPR			01		GPR											
JNZD GPR, imm:8			10		GPR											
SYS #imm:8			11		xx											
COP #imm:12		1										imm[11:0]				

**NOTES:**

- "x" means not applicable.
- There are several MODop1 codes that can be used, as described in table 7-9.
- The operand 1(GPR) of the instruction JNZD is Bank 3's register.

Table 7-4. Index Code Information (“idx”)

Symbol	Code	Description
ID0	0	Index 0 IDH:IDL0
ID1	1	Index 1 IDH:IDL1

Table 7-5. Index Modification Code Information (“mod”)

Symbol	Code	Function
@IDx + offset:5	00	DM[IDx], IDx ← IDx + offset
@[IDx - offset:5]	01	DM[IDx + (2's complement of offset:5)], IDx ← IDx + (2's complement of offset:5)
@[IDx + offset:5]!	10	DM[IDx + offset], IDx ← IDx
@[IDx - offset:5]!	11	DM[IDx + (2's complement of offset:5)], IDx ← IDx

**NOTE:** Carry from IDL is propagated to IDH. In case of @[IDx - offset:5] or @[IDx - offset:5]!, the assembler should convert offset:5 to the 2's complement format to fill the operand field (offset[4:0]).

Furthermore, @[IDx - 0] and @[IDx - 0]! are converted to @[IDx + 0] and @[IDx + 0]!, respectively.

Table 7-6. Condition Code Information (“cc”)

Symbol (cc:4)	Code	Function
Blank	0000	always
NC or ULT	0001	C = 0, unsigned less than
C or UGE	0010	C = 1, unsigned greater than or equal to
Z or EQ	0011	Z = 1, equal to
NZ or NE	0100	Z = 0, not equal to
OV	0101	V = 1, overflow - signed value
ULE	0110	~C   Z, unsigned less than or equal to
UGT	0111	C & ~Z, unsigned greater than
ZP	1000	N = 0, signed zero or positive
MI	1001	N = 1, signed negative
PL	1010	~N & ~Z, signed positive
ZN	1011	Z   N, signed zero or negative
SF	1100	Stack Full
EC0-EC2	1101-1111	EC[0] = 1/EC[1] = 1/EC[2] = 1

**NOTE:** EC[2:0] is an external input (CalmRISC core's point of view) and used as a condition.

Table 7-7. "ALUop1" Code Information

Symbol	Code	Function
SLA	000	arithmetic shift left
SL	001	shift left
RLC	010	rotate left with carry
RL	011	rotate left
SRA	100	arithmetic shift right
SR	101	shift right
RRC	110	rotate right with carry
RR	111	rotate right

Table 7-8. "ALUop2" Code Information

Symbol	Code	Function
INC	000	increment
INCC	001	increment with carry
DEC	010	decrement
DECC	011	decrement with carry
COM	100	1's complement
COM2	101	2's complement
COMC	110	1's complement with carry
–	111	reserved

Table 7-9. "MODop1" Code Information

Symbol	Code	Function
LRET	000	return by IL
RET	001	return by HS
IRET	010	return from interrupt (by HS)
NOP	011	no operation
BREAK	100	reserved for debugger use only
–	101	reserved
–	110	reserved
–	111	reserved



## QUICK REFERENCE

Operation	op1	op2	Function	Flag	# of word / cycle
AND	GPR	adr:8	$op1 \leftarrow op1 \& op2$	z,n	1W1C
OR		#imm:8	$op1 \leftarrow op1   op2$	z,n	
XOR		GPR	$op1 \leftarrow op1 \wedge op2$	z,n	
ADD		@idm	$op1 \leftarrow op1 + op2$	c,z,v,n	
SUB			$op1 \leftarrow op1 + \sim op2 + 1$	c,z,v,n	
CP			$op1 + \sim op2 + 1$	c,z,v,n	
ADC		GPR	GPR	$op1 \leftarrow op1 + op2 + c$	
SBC	adr:8		$op1 \leftarrow op1 + \sim op2 + c$	c,z,v,n	
CPC			$op1 + \sim op2 + c$	c,z,v,n	
TM	GPR	#imm:8	$op1 \& op2$	z,n	
BITS	R3	adr:8.bs	$op1 \leftarrow (op2[bit] \leftarrow 1)$	z	1W2C
BITR			$op1 \leftarrow (op2[bit] \leftarrow 0)$	z	
BITC			$op1 \leftarrow \sim(op2[bit])$	z	
BITT			$z \leftarrow \sim(op2[bit])$	z	
BMS/BMC	–	–	$TF \leftarrow 1 / 0$	–	
PUSH	GPR	–	$HS[sptr] \leftarrow GPR, (sptr \leftarrow sptr + 1)$	–	z,n
POP			$GPR \leftarrow HS[sptr - 1], (sptr \leftarrow sptr - 1)$		
PUSH	SPR	–	$HS[sptr] \leftarrow SPR, (sptr \leftarrow sptr + 1)$	–	
POP			$SPR \leftarrow HS[sptr - 1], (sptr \leftarrow sptr - 1)$		
POP	–	–	$sptr \leftarrow sptr - 2$	–	
SLA	GPR	–	$c \leftarrow op1[7], op1 \leftarrow \{op1[6:0], 0\}$	c,z,v,n	
SL			$c \leftarrow op1[7], op1 \leftarrow \{op1[6:0], 0\}$	c,z,n	
RLC			$c \leftarrow op1[7], op1 \leftarrow \{op1[6:0], c\}$	c,z,n	
RL			$c \leftarrow op[7], op1 \leftarrow \{op1[6:0], op1[7]\}$	c,z,n	
SRA			$c \leftarrow op[0], op1 \leftarrow \{op1[7], op1[7:1]\}$	c,z,n	
SR			$c \leftarrow op1[0], op1 \leftarrow \{0, op1[7:1]\}$	c,z,n	
RRC			$c \leftarrow op1[0], op1 \leftarrow \{c, op1[7:1]\}$	c,z,n	
RR			$c \leftarrow op1[0], op1 \leftarrow \{op1[0], op1[7:1]\}$	c,z,n	
INC			$op1 \leftarrow op1 + 1$	c,z,v,n	
INCC			$op1 \leftarrow op1 + c$	c,z,v,n	
DEC			$op1 \leftarrow op1 + 0FFh$	c,z,v,n	
DECC			$op1 \leftarrow op1 + 0FFh + c$	c,z,v,n	
COM			$op1 \leftarrow \sim op1$	z,n	
COM2			$op1 \leftarrow \sim op1 + 1$	c,z,v,n	
COMC			$op1 \leftarrow \sim op1 + c$	c,z,v,n	

## QUICK REFERENCE (Continued)

Operation	op1	op2	Function	Flag	# of word / cycle
LD	GPR :bank	GPR :bank	$op1 \leftarrow op2$	z,n	1W1C
LD	SPR0	#imm:8	$op1 \leftarrow op2$	–	
LD	GPR	GPR SPR adr:8 @idm #imm:8 TBH/TBL	$op1 \leftarrow op2$	z,n	
LD	SPR TBH/TBL	GPR	$op1 \leftarrow op2$	–	
LD	adr:8	GPR	$op1 \leftarrow op2$	–	
LD	@idm	GPR	$op1 \leftarrow op2$	–	
LDC	@IL @IL+	–	(TBH:TBL) $\leftarrow$ PM[(ILX:ILH:ILL)], ILL++ if @IL+	–	
AND OR	SR0	#imm:8	SR0 $\leftarrow$ SR0 & op2 SR0 $\leftarrow$ SR0   op2	–	1W1C
BANK	#imm:2	–	SR0[4:3] $\leftarrow$ op2	–	1W1C
SWAP	GPR	SPR	$op1 \leftarrow op2, op2 \leftarrow op1$ (excluding SR0/SR1)	–	
LCALL cc	imm:20	–	If branch taken, push XSTACK, HS[15:0] $\leftarrow$ {PC[15:12], PC[11:0] + 2} and PC $\leftarrow$ op1 else PC[11:0] $\leftarrow$ PC[11:0] + 2	–	2W2C
LLNK cc	imm:20	–	If branch taken, IL[19:0] $\leftarrow$ {PC[19:12], PC[11:0] + 2} and PC $\leftarrow$ op1 else PC[11:0] $\leftarrow$ PC[11:0] + 2	–	1W2C
CALLS	imm:12	–	push XSTACK, HS[15:0] $\leftarrow$ {PC[15:12], PC[11:0] + 1} and PC[11:0] $\leftarrow$ op1	–	
LNKS	imm:12	–	IL[19:0] $\leftarrow$ {PC[19:12], PC[11:0] + 1} and PC[11:0] $\leftarrow$ op1	–	1W2C
JNZD	Rn	imm:8	if (Rn == 0) PC $\leftarrow$ PC[delay slot] - 2's complement of imm:8, Rn-- else PC $\leftarrow$ PC[delay slot]++, Rn--	–	
LJP cc	imm:20	–	If branch taken, PC $\leftarrow$ op1 else PC[11:0] < PC[11:0] + 2	–	2W2C
JR cc	imm:9	–	If branch taken, PC[11:0] $\leftarrow$ PC[11:0] + op1 else PC[11:0] $\leftarrow$ PC[11:0] + 1	–	1W2C

**NOTE:** op1 - operand1, op2 - operand2, 1W1C - 1-Word 1-Cycle instruction, 1W2C - 1-Word 2-Cycle instruction, 2W2C - 2-Word 2-Cycle instruction. The Rn of instruction JNZD is Bank 3's GPR.

**QUICK REFERENCE (Concluded)**

Operation	op1	op2	Function	Flag	# of word / cycle
LRET	–	–	PC ← IL[19:0]	–	1W2C
RET	–	–	PC ← HS[sptr - 2], (sptr ← sptr - 2)	–	1W2C
IRET	–	–	PC ← HS[sptr - 2], (sptr ← sptr - 2)	–	1W2C
NOP	–	–	no operation	–	1W1C
BREAK	–	–	no operation and hold PC	–	1W1C
SYS	#imm:8	–	no operation but generates SYSCP[7:0] and nSYSID	–	1W1C
CLD	imm:8	GPR	op1 ← op2, generates SYSCP[7:0], nCLDID, and CLDWR	–	
CLD	GPR	imm:8	op1 ← op2, generates SYSCP[7:0], nCLDID, and CLDWR	z,n	
COP	#imm:12	–	generates SYSCP[11:0] and nCOPID	–	

**NOTES:**

- op1 - operand1, op2 - operand2, sptr - stack pointer register, 1W1C - 1-Word 1-Cycle instruction, 1W2C - 1-Word 2-Cycle instruction
- Pseudo instructions
  - SCF/RCF  
Carry flag set or reset instruction
  - STOP/IDLE  
MCU power saving instructions
  - EI/DI  
Exception enable and disable instructions
  - JP/LNK/CALL  
If JR/LNKS/CALLS commands (1 word instructions) can access the target address, there is no conditional code in the case of CALL/LNK, and the JP/LNK/CALL commands are assembled to JR/LNKS/CALLS in linking time, or else the JP/LNK/CALL commands are assembled to LJP/LLNK/LCALL (2 word instructions) instructions.

## INSTRUCTION GROUP SUMMARY

### ALU INSTRUCTIONS

“ALU instructions” refer to the operations that use ALU to generate results. ALU instructions update the values in Status Register 1 (SR1), namely carry (C), zero (Z), overflow (V), and negative (N), depending on the operation type and the result.

#### ALUop GPR, adr:8

Performs an ALU operation on the value in GPR and the value in DM[adr:8] and stores the result into GPR.

ALUop = ADD, SUB, CP, AND, OR, XOR

For SUB and CP, GPR+(not DM[adr:8])+1 is performed.

adr:8 is the offset in a specific data memory page.

The data memory page is 0 or the value of IDH (Index of Data Memory Higher Byte Register), depending on the value of eid in Status Register 0 (SR0).

#### Operation

$GPR \leftarrow GPR \text{ ALUop } DM[00h:adr:8]$  if eid = 0

$GPR \leftarrow GPR \text{ ALUop } DM[IDH:adr:8]$  if eid = 1

Note that this is an 7-bit operation.

#### Example

```
ADD R0, 80h           // Assume eid = 1 and IDH = 01H
                     // R0 ← R0 + DM[0180h]
```

#### ALUop GPR, #imm:8

Stores the result of an ALU operation on GPR and an 7-bit immediate value into GPR.

ALUop = ADD, SUB, CP, AND, OR, XOR

For SUB and CP, GPR+(not #imm:8)+1 is performed.

#imm:8 is an 7-bit immediate value.

#### Operation

$GPR \leftarrow GPR \text{ ALUop } \#imm:8$

#### Example

```
ADD R0, #7Ah        // R0 ← R0 + 7Ah
```

**ALUop GPRd, GPRs**

Store the result of ALUop on GPRs and GPRd into GPRd.

ALUop = ADD, SUB, CP, AND, OR, XOR

For SUB and CP, GPRd + (not GPRs) + 1 is performed.

GPRs and GPRd need not be distinct.

**Operation**

$GPRd \leftarrow GPRd \text{ ALUop } GPRs$

$GPRd - GPRs$  when ALUop = CP (comparison only)

**Example**

```
ADD R0, R1           // R0 ← R0 + R1
```

**ALUop GPR, @idm**

Performs ALUop on the value in GPR and DM[ID] and stores the result into GPR. Index register ID is IDH:IDL (IDH:IDL0 or IDH:IDL1).

ALUop = ADD, SUB, CP, AND, OR, XOR

For SUB and CP, GPR+(not DM[idm])+1 is performed.

idm = IDx+off:5, [IDx-offset:5], [IDx+offset:5]!, [IDx-offset:5]!

(IDx = ID0 or ID1)

**Operation**

$GPR - DM[idm]$  when ALUop = CP (comparison only)

$GPR \leftarrow GPR \text{ ALUop } DM[IDx]$ ,  $IDx \leftarrow IDx + \text{offset:5}$  when idm = IDx + offset:5

$GPR \leftarrow GPR \text{ ALUop } DM[IDx - \text{offset:5}]$ ,  $IDx \leftarrow IDx - \text{offset:5}$  when idm = [IDx - offset:5]

$GPR \leftarrow GPR \text{ ALUop } DM[IDx + \text{offset:5}]$  when idm = [IDx + offset:5]!

$GPR \leftarrow GPR \text{ ALUop } DM[IDx - \text{offset:5}]$  when idm = [IDx - offset:5]!

When carry is generated from IDL (on a post-increment or pre-decrement), it is propagated to IDH.

**Example**

```
ADD R0, @ID0+2      // assume ID0 = 02FFh
                    // R0 ← R0 + DM[02FFh], IDH ← 03h and IDL0 ← 01h
ADD R0, @[ID0-2]    // assume ID0 = 0201h
                    // R0 ← R0 + DM[01FFh], IDH ← 01h and IDL0 ← FFh
ADD R0, @[ID1+2]!   // assume ID1 = 02FFh
                    // R0 ← R0 + DM[0301], IDH ← 02h and IDL1 ← FFh
ADD R0, @[ID1-2]!   // assume ID1 = 0200h
                    // R0 ← R0 + DM[01FEh], IDH ← 02h and IDL1 ← 00h
```

**ALUopc GPRd, GPRs**

Performs ALUop with carry on GPRd and GPRs and stores the result into GPRd.

ALUopc = ADC, SBC, CPC

GPRd and GPRs need not be distinct.

**Operation**

GPRd  $\leftarrow$  GPRd + GPRs + C when ALUopc = ADC  
 GPRd  $\leftarrow$  GPRd + (not GPRs) + C when ALUopc = SBC  
 GPRd + (not GPRs) + C when ALUopc = CPC (comparison only)

**Example**

```
ADD R0, R2           // assume R1:R0 and R3:R2 are 16-bit signed or unsigned numbers.
ADC R1, R3           // to add two 16-bit numbers, use ADD and ADC.

SUB R0, R2           // assume R1:R0 and R3:R2 are 16-bit signed or unsigned numbers.
SBC R1, R3           // to subtract two 16-bit numbers, use SUB and SBC.

CP R0, R2            // assume both R1:R0 and R3:R2 are 16-bit unsigned numbers.
CPC R1, R3           // to compare two 16-bit unsigned numbers, use CP and CPC.
```

**ALUopc GPR, adr:8**

Performs ALUop with carry on GPR and DM[adr:8].

**Operation**

GPR  $\leftarrow$  GPR + DM[adr:8] + C when ALUopc = ADC  
 GPR  $\leftarrow$  GPR + (not DM[adr:8]) + C when ALUopc = SBC  
 GPR + (not DM[adr:8]) + C when ALUopc = CPC (comparison only)

**CPLop GPR (Complement Operations)**

CPLop = COM, COM2, COMC

**Operation**

COM GPR not GPR (logical complement)  
 COM2 GPR not GPR + 1 (2's complement of GPR)  
 COMC GPR not GPR + C (logical complement of GPR with carry)

**Example**

```
COM2 R0            // assume R1:R0 is a 16-bit signed number.
COMC R1            // COM2 and COMC can be used to get the 2's complement of it.
```

**IncDec GPR (Increment/Decrement Operations)**

IncDec = INC, INCC, DEC, DECC

**Operation**

INC GPR	Increase GPR, i.e., $GPR \leftarrow GPR + 1$
INCC GPR	Increase GPR if carry = 1, i.e., $GPR \leftarrow GPR + C$
DEC GPR	Decrease GPR, i.e., $GPR \leftarrow GPR + FFh$
DECC GPR	Decrease GPR if carry = 0, i.e., $GPR \leftarrow GPR + FFh + C$

**Example**

INC R0	// assume R1:R0 is a 16-bit number
INCC R1	// to increase R1:R0, use INC and INCC.
DEC R0	// assume R1:R0 is a 16-bit number
DECC R1	// to decrease R1:R0, use DEC and DECC.

## SHIFT/ROTATE INSTRUCTIONS

Shift (Rotate) instructions shift (rotate) the given operand by 1 bit. Depending on the operation performed, a number of Status Register 1 (SR1) bits, namely Carry (C), Zero (Z), Overflow (V), and Negative (N), are set.

### SL GPR

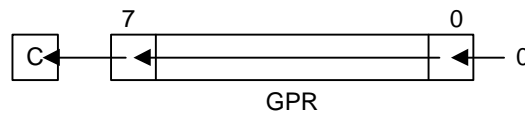
#### Operation



Carry (C) is the MSB of GPR before shifting, Negative (N) is the MSB of GPR after shifting. Overflow (V) is not affected. Zero (Z) will be 1 if the result is 0.

### SLA GPR

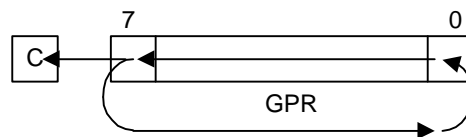
#### Operation



Carry (C) is the MSB of GPR before shifting, Negative (N) is the MSB of GPR after shifting. Overflow (V) will be 1 if the MSB of the result is different from C. Z will be 1 if the result is 0.

### RL GPR

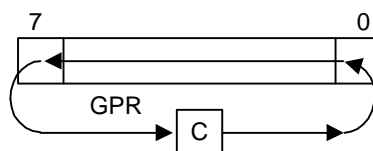
#### Operation



Carry (C) is the MSB of GPR before rotating. Negative (N) is the MSB of GPR after rotating. Overflow (V) is not affected. Zero (Z) will be 1 if the result is 0.

### RLC GPR

#### Operation



Carry (C) is the MSB of GPR before rotating, Negative (N) is the MSB of GPR after rotating. Overflow (V) is not affected. Zero (Z) will be 1 if the result is 0.

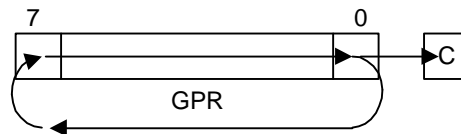


**SR GPR****Operation**

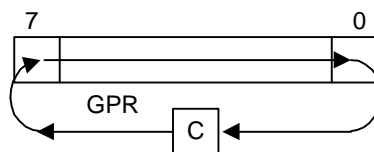
Carry (C) is the LSB of GPR before shifting, Negative (N) is the MSB of GPR after shifting. Overflow (V) is not affected. Zero (Z) will be 1 if the result is 0.

**SRA GPR****Operation**

Carry (C) is the LSB of GPR before shifting, Negative (N) is the MSB of GPR after shifting. Overflow (V) is not affected. Z will be 1 if the result is 0.

**RR GPR****Operation**

Carry (C) is the LSB of GPR before rotating. Negative (N) is the MSB of GPR after rotating. Overflow (V) is not affected. Zero (Z) will be 1 if the result is 0.

**RRC GPR****Operation**

Carry (C) is the LSB of GPR before rotating, Negative (N) is the MSB of GPR after rotating. Overflow (V) is not affected. Zero (Z) will be 1 if the result is 0.

**LOAD INSTRUCTIONS**

Load instructions transfer data from data memory to a register or from a register to data memory, or assigns an immediate value into a register. As a side effect, a load instruction placing a value into a register sets the Zero (Z) and Negative (N) bits in Status Register 1 (SR1), if the placed data is 00h and the MSB of the data is 1, respectively.

**LD GPR, adr:8**

Loads the value of DM[adr:8] into GPR. Adr:8 is offset in the page specified by the value of eid in Status Register 0 (SR0).

**Operation**

$$\begin{aligned} \text{GPR} &\leftarrow \text{DM}[00\text{h}:\text{adr}:8] && \text{if eid} = 0 \\ \text{GPR} &\leftarrow \text{DM}[\text{IDH}:\text{adr}:8] && \text{if eid} = 1 \end{aligned}$$

Note that this is an 7-bit operation.

**Example**

```
LD R0, 80h           // assume eid = 1 and IDH= 01H
                    // R0 ← DM[0180h]
```

**LD GPR, @idm**

Loads a value from the data memory location specified by @idm into GPR.  
 idm = IDx+off:5, [IDx-offset:5], [IDx+offset:5]!, [IDx-offset:5]!  
 (IDx = ID0 or ID1)

**Operation**

$$\begin{aligned} \text{GPR} &\leftarrow \text{DM}[\text{IDx}], \text{IDx} \leftarrow \text{IDx} + \text{offset}:5 && \text{when idm} = \text{IDx} + \text{offset}:5 \\ \text{GPR} &\leftarrow \text{DM}[\text{IDx} - \text{offset}:5], \text{IDx} \leftarrow \text{IDx} - \text{offset}:5 && \text{when idm} = [\text{IDx} - \text{offset}:5] \\ \text{GPR} &\leftarrow \text{DM}[\text{IDx} + \text{offset}:5] && \text{when idm} = [\text{IDx} + \text{offset}:5]! \\ \text{GPR} &\leftarrow \text{DM}[\text{IDx} - \text{offset}:5] && \text{when idm} = [\text{IDx} - \text{offset}:5]! \end{aligned}$$

When carry is generated from IDL (on a post-increment or pre-decrement), it is propagated to IDH.

**Example**

```
LD R0, @[ID0 + 03h]! // assume IDH:IDL0 = 0270h
                    // R0 ← DM[0273h], IDH:IDL0 ← 0270h
```

**LD REG, #imm:8**

Loads an 7-bit immediate value into REG. REG can be either GPR or an SPR0 group register - IDH (Index of Data Memory Higher Byte Register), IDL0 (Index of Data Memory Lower Byte Register)/ IDL1, and Status Register 0 (SR0). #imm:8 is an 7-bit immediate value.

**Operation**

$$\text{REG} \leftarrow \#imm:8$$
**Example**

```
LD R0 #7Ah           // R0 ← 7Ah
LD IDH, #03h        // IDH ← 03h
```

**LD GPR:bs:2, GPR:bs:2**

Loads a value of a register from a specified bank into another register in a specified bank.

**Example**

```
LD R0:1, R2:3       // R0 in bank 1, R2 in bank 3
```

**LD GPR, TBH/TBL**

Loads the value of TBH or TBL into GPR. TBH and TBL are 7-bit long registers used exclusively for LDC instructions that access program memory. Therefore, after an LDC instruction, LD GPR, TBH/TBL instruction will usually move the data into GPRs, to be used for other operations.

**Operation**

$$\text{GPR} \leftarrow \text{TBH (or TBL)}$$
**Example**

```
LDC @IL              // gets a program memory item residing @ ILX:ILH:ILL
LD R0, TBH
LD R1, TBL
```

**LD TBH/TBL, GPR**

Loads the value of GPR into TBH or TBL. These instructions are used in pair in interrupt service routines to save and restore the values in TBH/TBL as needed.

**Operation**

$$\text{TBH (or TBL)} \leftarrow \text{GPR}$$
**LD GPR, SPR**

Loads the value of SPR into GPR.

**Operation**

$$\text{GPR} \leftarrow \text{SPR}$$
**Example**

```
LD R0, IDH          // R0 ← IDH
```

**LD SPR, GPR**

Loads the value of GPR into SPR.

**Operation**

$$\text{SPR} \leftarrow \text{GPR}$$
**Example**

```
LD IDH, R0           // IDH ← R0
```

**LD adr:8, GPR**

Stores the value of GPR into data memory (DM). *adr:8* is offset in the page specified by the value of *eid* in Status Register 0 (SR0).

**Operation**

$$\begin{aligned} \text{DM}[00\text{h}:\text{adr}:8] &\leftarrow \text{GPR} \text{ if } \text{eid} = 0 \\ \text{DM}[\text{IDH}:\text{adr}:8] &\leftarrow \text{GPR} \text{ if } \text{eid} = 1 \end{aligned}$$

Note that this is an 7-bit operation.

**Example**

```
LD 7Ah, R0           // assume eid = 1 and IDH = 02h.
                     // DM[027Ah] ← R0
```

**LD @idm, GPR**

Loads a value into the data memory location specified by *@idm* from GPR.

*idm* = *IDx+off:5*, [*IDx-offset:5*], [*IDx+offset:5*]!, [*IDx-offset:5*]!

(*IDx* = *ID0* or *ID1*)

**Operation**

$$\begin{aligned} \text{DM}[\text{IDx}] &\leftarrow \text{GPR}, \text{IDx} \leftarrow \text{IDx} + \text{offset}:5 \text{ when } \text{idm} = \text{IDx} + \text{offset}:5 \\ \text{DM}[\text{IDx} - \text{offset}:5] &\leftarrow \text{GPR}, \text{IDx} \leftarrow \text{IDx} - \text{offset}:5 \text{ when } \text{idm} = [\text{IDx} - \text{offset}:5] \\ \text{DM}[\text{IDx} + \text{offset}:5] &\leftarrow \text{GPR} \text{ when } \text{idm} = [\text{IDx} + \text{offset}:5]! \\ \text{DM}[\text{IDx} - \text{offset}:5] &\leftarrow \text{GPR} \text{ when } \text{idm} = [\text{IDx} - \text{offset}:5]! \end{aligned}$$

When carry is generated from IDL (on a post-increment or pre-decrement), it is propagated to IDH.

**Example**

```
LD @[ID0 + 03h]!, R0 // assume IDH:IDL0 = 0170h
                     // DM[0173h] ← R0, IDH:IDL0 ← 0170h
```

## BRANCH INSTRUCTIONS

Branch instructions can be categorized into jump instruction, link instruction, and call instruction. A jump instruction does not save the current PC, whereas a call instruction saves (“pushes”) the current PC onto the stack and a link instruction saves the PC in the link register IL. Status registers are not affected. Each instruction type has a 2-word format that supports a 20-bit long jump.

### JR cc:4, imm:9

imm:9 is a signed number (2’s complement), an offset to be added to the current PC to compute the target (PC[19:12]:(PC[11:0] + imm:9)).

#### Operation

$$\begin{array}{ll} \text{PC}[11:0] \leftarrow \text{PC}[11:0] + \text{imm}:9 & \text{if branch taken (i.e., cc:4 resolves to be true)} \\ \text{PC}[11:0] \leftarrow \text{PC}[11:0] + 1 & \text{otherwise} \end{array}$$

#### Example

```
L18411:                // assume current PC = 18411h.
JR Z, 107h            // next PC is 18518 (18411h + 107h) if Zero (Z) bit is set.
```

### LJP cc:4, imm:20

Jumps to the program address specified by imm:20. If program size is less than 64K word, PC[19:16] is not affected.

#### Operation

$$\begin{array}{ll} \text{PC}[15:0] \leftarrow \text{imm}[15:0] & \text{if branch taken and program size is less than 64K word} \\ \text{PC}[19:0] \leftarrow \text{imm}[19:0] & \text{if branch taken and program size is equal to 64K word or more} \\ \text{PC}[11:0] \leftarrow \text{PC}[11:0] + 1 & \text{otherwise} \end{array}$$

#### Example

```
L18411:                // assume current PC = 18411h.
LJP Z, 10107h        // next instruction's PC is 10107h If Zero (Z) bit is set
```

### JNZD Rn, imm:8

Jumps to the program address specified by imm:8 if the value of the bank 3 register Rn is not zero. JNZD performs only backward jumps, with the value of Rn automatically decreased. There is one delay slot following the JNZD instruction that is always executed, regardless of whether JNZD is taken or not.

#### Operation

$$\begin{array}{l} \text{If } (Rn == 0) \text{ PC} \leftarrow \text{PC}[\text{delay slot}] (-) \text{ 2's complement of imm:8, } Rn \leftarrow Rn - 1 \\ \text{else PC} \leftarrow \text{PC}[\text{delay slot}] + 1, Rn \leftarrow Rn - 1. \end{array}$$

**Example**

```

LOOP_A:                // start of loop body
    .
    .
    .
    JNZD R0, LOOP_A    // jump back to LOOP_A if R0 is not zero
    ADD R1, #2         // delay slot, always executed (you must use one cycle instruction only)

```

**CALLS imm:12**

Saves the current PC on the stack (“pushes” PC) and jumps to the program address specified by imm:12. The current page number PC[19:12] is not changed. Since this is a 1-word instruction, the return address pushed onto the stack is (PC + 1). If nP64KW is low when PC is saved, PC[19:16] is not saved in the stack.

**Operation**

```

HS[sptr][15:0] ← current PC + 1 and sptr ← sptr + 2 (push stack)    if nP64KW = 0
HS[sptr][19:0] ← current PC + 1 and sptr ← sptr + 2 (push stack)    if nP64KW = 1
PC[11:0] ← imm:12

```

**Example**

```

L18411:                // assume current PC = 18411h.
    CALLS 107h         // call the subroutine at 18107h, with the current PC pushed
                       // onto the stack (HS ← 18412h) if nP64KW = 1.

```

**LCALL cc:4, imm:20**

Saves the current PC onto the stack (pushes PC) and jumps to the program address specified by imm:20. Since this is a 2-word instruction, the return address saved in the stack is (PC + 2). If nP64KW, a core input signal is low when PC is saved, 0000111111PC[19:16] is not saved in the stack and PC[19:16] is not set to imm[19:16].

**Operation**

```

HS[sptr][15:0] ← current PC + 2 and sptr + 2 (push stack)    if branch taken and nP64KW = 0
HS[sptr][19:0] ← current PC + 2 and sptr + 2 (push stack)    if branch taken and nP64KW = 1
PC[15:0] ← imm[15:0]    if branch taken and nP64KW = 0
PC[19:0] ← imm[19:0]    if branch taken and nP64KW = 1
PC[11:0] ← PC[11:0] + 2    otherwise

```

**Example**

```

L18411:                // assume current PC = 18411h.
    LCALL NZ, 10107h   // call the subroutine at 10107h with the current PC pushed
                       // onto the stack (HS ← 18413h)

```

**LNKS imm:12**

Saves the current PC in IL and jumps to the program address specified by imm:12. The current page number PC[19:12] is not changed. Since this is a 1-word instruction, the return address saved in IL is (PC + 1). If the program size is less than 64K word when PC is saved, PC[19:16] is not saved in ILX.

**Operation**

IL[15:0] ← current PC + 1      if program size is less than 64K word  
 IL[19:0] ← current PC + 1      if program size is equal to 64K word or more  
 PC[11:0] ← imm:12

**Example**

```
L18411:                               // assume current PC = 18411h.
LNKS 107h                             // call the subroutine at 18107h, with the current PC saved
                                       // in IL (IL[19:0] ← 18412h) if program size is 64K word or more.
```

**LLNK cc:4, imm:20**

Saves the current PC in IL and jumps to the program address specified by imm:20. Since this is a 2-word instruction, the return address saved in IL is (PC + 2). If the program size is less than 64K word when PC is saved, PC[19:16] is not saved in ILX.

**Operation**

IL[15:0] ← current PC + 2    if branch taken and program size is less than 64K word  
 IL[19:0] ← current PC + 2    if branch taken and program size is 64K word or more  
 PC[15:0] ← imm[15:0]    if branch taken and program size is less than 64K word  
 PC[19:0] ← imm[19:0]    if branch taken and program size is 64K word or more  
 PC[11:0] ← PC[11:0] + 2    otherwise

**Example**

```
L18411:                               // assume current PC = 18411h.
LLNK NZ, 10107h                       // call the subroutine at 10107h with the current PC saved
                                       // in IL (IL[19:0] ← 18413h) if program size is 64K word or more
```

**RET, IRET**

Returns from the current subroutine. IRET sets ie (SR0[1]) in addition. If the program size is less than 64K word, PC[19:16] is not loaded from HS[19:16].

**Operation**

PC[15:0] ← HS[sptr - 2] and sptr ← sptr - 2 (pop stack) if program size is less than 64K word  
 PC[19:0] ← HS[sptr - 2] and sptr ← sptr - 2 (pop stack) if program size is 64K word or more

**Example**

```
RET                                     // assume sptr = 3h and HS[1] = 18407h.
                                       // the next PC will be 18407h and sptr is set to 1h
```

**LRET**

Returns from the current subroutine, using the link register IL. If the program size is less than 64K word, PC[19:16] is not loaded from ILX.

**Operation**

PC[15:0] ← IL[15:0]     if program size is less than 64K word  
PC[19:0] ← IL[19:0]     if program size is 64K word or more

**Example**

```
LRET                    // assume IL = 18407h.  
                         // the next instruction to execute is at PC = 18407h  
                         // if program size is 64K word or more
```

**JP/LNK/CALL**

JP/LNK/CALL instructions are pseudo instructions. If JR/LNKS/CALLS commands (1 word instructions) can access the target address, there is no conditional code in the case of CALL/LNK and the JP/LNK/CALL commands are assembled to JR/LNKS/CALLS in linking time or else the JP/LNK/CALL commands are assembled to LJP/LLNK/LCALL (2 word instructions) instructions.



## BIT MANIPULATION INSTRUCTIONS

### BITop adr:8.bs

Performs a bit operation specified by op on the value in the data memory pointed by adr:8 and stores the result into R3 of current GPR bank or back into memory depending on the value of TF bit.

BITop = BITS, BITR, BITC, BITT  
 BITS: bit set  
 BITR: bit reset  
 BITC: bit complement  
 BITT: bit test (R3 is not touched in this case)  
 bs: bit location specifier, 0 - 7.

### Operation

$R3 \leftarrow DM[00h:adr:8] \text{ BITop } bs \text{ if } eid = 0$   
 $R3 \leftarrow DM[IDH:adr:8] \text{ BITop } bs \text{ if } eid = 1$  (no register transfer for BITT)  
 Set the Zero (Z) bit if the result is 0.

### Example

BITS 25h.3 // assume eid = 0. set bit 3 of DM[00h:25h] and store the result in R3.  
 BITT 25h.3 // check bit 3 of DM[00h:25h] if eid = 0.

### BMC/BMS

Clears or sets the TF bit, which is used to determine the destination of BITop instructions. When TF bit is clear, the result of BITop instructions will be stored into R3 (fixed); if the TF bit is set, the result will be written back to memory.

### Operation

$TF \leftarrow 0$  (BMC)  
 $TF \leftarrow 1$  (BMS)

### TM GPR, #imm:8

Performs AND operation on GPR and imm:8 and sets the Zero (Z) and Negative (N) bits. No change in GPR.

### Operation

Z, N flag  $\leftarrow$  GPR & #imm:8

### BITop GPR.bs

Performs a bit operation on GPR and stores the result in GPR.

Since the equivalent functionality can be achieved using OR GPR, #imm:8, AND GPR, #imm:8, and XOR GPR, #imm:8, this instruction type doesn't have separate op codes.

**AND SR0, #imm:8/OR SR0, #imm:8**

Sets/resets bits in SR0 and stores the result back into SR0.

**Operation**

$$\text{SR0} \leftarrow \text{SR0} \& \#imm:8$$

$$\text{SR0} \leftarrow \text{SR0} | \#imm:8$$
**BANK #imm:2**

Loads SR0[4:3] with #imm[1:0].

**Operation**

$$\text{SR0}[4:3] \leftarrow \#imm[1:0]$$
**MISCELLANEOUS INSTRUCTION****SWAP GPR, SPR**

Swaps the values in GPR and SPR. SR0 and SR1 can NOT be used for this instruction. No flag is updated, even though the destination is GPR.

**Operation**

$$\text{temp} \leftarrow \text{SPR}$$

$$\text{SPR} \leftarrow \text{GPR}$$

$$\text{GPR} \leftarrow \text{temp}$$
**Example**

```
SWAP R0, IDH           // assume IDH = 00h and R0 = 08h.
                       // after this, IDH = 08h and R0 = 00h.
```

**PUSH REG**

Saves REG in the stack (Pushes REG into stack).  
REG = GPR, SPR

**Operation**

$$\text{HS}[\text{sptr}][7:0] \leftarrow \text{REG} \text{ and } \text{sptr} \leftarrow \text{sptr} + 1$$
**Example**

```
PUSH R0                // assume R0 = 08h and sptr = 2h
                       // then HS[2][7:0] ← 08h and sptr ← 3h
```

**POP REG**

Pops stack into REG.  
REG = GPR, SPR

**Operation**

$REG \leftarrow HS[sptr-1][7:0]$  and  $sptr \leftarrow sptr - 1$

**Example**

```
POP R0           // assume sptr = 3h and HS[2] = 18407h
                 // R0 ← 07h and sptr ← 2h
```

**POP**

Pops 2 bytes from the stack and discards the popped data.

**NOP**

Does no work but increase PC by 1.

**BREAK**

Does nothing and does NOT increment PC. This instruction is for the debugger only. When this instruction is executed, the processor is locked since PC is not incremented. Therefore, this instruction should not be used under any mode other than the debug mode.

**SYS #imm:8**

Does nothing but increase PC by 1 and generates SYSCP[7:0] and nSYSID signals.

**CLD GPR, imm:8**

$GPR \leftarrow (imm:8)$  and generates SYSCP[7:0], nCLDID, and nCLDWR signals.

**CLD imm:8, GPR**

$(imm:8) \leftarrow GPR$  and generates SYSCP[7:0], nCLDID, and nCLDWR signals.

**COP #imm:12**

Generates SYSCP[11:0] and nCOPID signals.

**LDC**

Loads program memory item into register.

**Operation**
$$\begin{aligned} [\text{TBH:TBL}] &\leftarrow \text{PM}[\text{ILX:ILH:ILL}] && (\text{LDC @IL}) \\ [\text{TBH:TBL}] &\leftarrow \text{PM}[\text{ILX:ILH:ILL}], \text{ILL}++ && (\text{LDC @IL+}) \end{aligned}$$

TBH and TBL are temporary registers to hold the transferred program memory items. These can be accessed only by LD GPR and TBL/TBH instruction.

**Example**

```
LD ILX, R1           // assume R1:R2:R3 has the program address to access
LD ILH, R2
LD ILL, R3
LDC @IL              // get the program data @(ILX:ILH:ILL) into TBH:TBL
```

## PSEUDO INSTRUCTIONS

### EI/DI

Exceptions enable and disable instruction.

#### Operation

$$\text{SR0} \leftarrow \text{OR SR0, \#00000010b (EI)}$$

$$\text{SR0} \leftarrow \text{AND SR0, \#11111101b (DI)}$$

Exceptions are enabled or disabled through this instruction. If there is an EI instruction, the SR0.1 is set and reset, when DI instruction.

#### Example

```
DI
•
•
•
EI
```

### SCF/RCF

Carry flag set and reset instruction.

#### Operation

$$\text{CP R0, R0 (SCF)}$$

$$\text{AND R0, R0 (RCF)}$$

Carry flag is set or reset through this instruction. If there is an SCF instruction, the SR1.0 is set and reset, when RCF instruction.

#### Example

```
SCF
RCF
```

### STOP/IDLE

MCU power saving instruction.

#### Operation

$$\text{SYS \#0Ah (STOP)}$$

$$\text{SYS \#05h (IDLE)}$$

The STOP instruction stops the both CPU clock and system clock and causes the microcontroller to enter STOP mode. The IDLE instruction stops the CPU clock while allowing system clock oscillation to continue.

#### Example

```
STOP(or IDLE)
NOP
NOP
NOP
•
•
•
```

## ADC — Add with Carry

**Format:**        ADC <op1>, <op2>  
                   <op1>: GPR  
                   <op2>: adr:8, GPR

**Operation:**    <op1>  $\leftarrow$  <op1> + <op2> + C  
 ADC adds the values of <op1> and <op2> and carry (C) and stores the result back into <op1>

**Flags:**        **C:** set if carry is generated. Reset if not.  
                   **Z:** set if result is zero. Reset if not.  
                   **V:** set if overflow is generated. Reset if not.  
                   **N:** exclusive OR of V and MSB of result.

**Example:**

```
ADC    R0, 80h           // If eid = 0, R0  $\leftarrow$  R0 + DM[0080h] + C
                        // If eid = 1, R0  $\leftarrow$  R0 + DM[IDH:80h] + C

ADC    R0, R1           // R0  $\leftarrow$  R0 + R1 + C

ADD    R0, R2
ADC    R1, R3
```

In the last two instructions, assuming that register pair R1:R0 and R3:R2 are 16-bit signed or unsigned numbers. Even if the result of “ADD R0, R2” is not zero, Z flag can be set to ‘1’ if the result of “ADC R1,R3” is zero. Note that zero (Z) flag do not exactly reflect result of 16-bit operation. Therefore when programming 16-bit addition, take care of the change of Z flag.

## ADD — Add

**Format:**        ADD <op1>, <op2>

                  <op1>: GPR  
                  <op2>: adr:8, #imm:8, GPR, @idm

**Operation:**    <op1> ← <op1> + <op2>

ADD adds the values of <op1> and <op2> and stores the result back into <op1>.

**Flags:**

- C:** set if carry is generated. Reset if not.
- Z:** set if result is zero. Reset if not.
- V:** set if overflow is generated. Reset if not.
- N:** exclusive OR of V and MSB of result.

**Example:**       Given: IDH:IDL0 = 80FFh, eid = 1

```

ADD    R0, 80h                // R0 ← R0 + DM[8080h]

ADD    R0, #12h              // R0 ← R0 + 12h

ADD    R1, R2                // R1 ← R1 + R2

ADD    R0, @ID0 + 2          // R0 ← R0 + DM[80FFh], IDH ← 81h, IDL0 ← 01h
ADD    R0, @[ID0 - 3]        // R0 ← R0 + DM[80FCh], IDH ← 80h, IDL0 ← FCh
ADD    R0, @[ID0 + 2]!       // R0 ← R0 + DM[8101h], IDH ← 80h, IDL0 ← FFh
ADD    R0, @[ID0 - 2]!       // R0 ← R0 + DM[80FDh], IDH ← 80h, IDL0 ← FFh

```

In the last two instructions, the value of IDH:IDL0 is not changed. Refer to Table 7-5 for more detailed explanation about this addressing mode.

idm = IDx+offset:5, [IDx-offset:5], [IDx+offset:5]!, [IDx-offset:5]! (IDx = ID0 or ID1)

## AND — Bit-wise AND

**Format:** AND <op1>, <op2>

<op1>: GPR

<op2>: adr:8, #imm:8, GPR, @idm

**Operation:** <op1> ← <op1> & <op2>

AND performs bit-wise AND on the values in <op1> and <op2> and stores the result in <op1>.

**Flags:** **Z:** set if result is zero. Reset if not.  
**N:** set if the MSB of result is 1. Reset if not.

**Example:** Given: IDH:IDL0 = 01FFh, eid = 1

```

AND    R0, 7Ah                // R0 ← R0 & DM[017Ah]

AND    R1, #40h               // R1 ← R1 & 40h

AND    R0, R1                 // R0 ← R0 & R1

AND    R1, @ID0 + 3           // R1 ← R1 & DM[01FFh], IDH:IDL0 ← 0202h
AND    R1, @[ID0 - 5]         // R1 ← R1 & DM[01FAh], IDH:IDL0 ← 01FAh
AND    R1, @[ID0 + 7]!        // R1 ← R1 & DM[0206h], IDH:IDL0 ← 01FFh
AND    R1, @[ID0 - 2]!        // R1 ← R1 & DM[01FDh], IDH:IDL0 ← 01FFh

```

In the first instruction, if eid bit in SR0 is zero, register R0 has garbage value because data memory DM[0051h-007Fh] are not mapped in S3CB519/S3FB519. In the last two instructions, the value of IDH:IDL0 is not changed. Refer to Table 7-5 for more detailed explanation about this addressing mode.

idm = IDx+offset:5, [IDx-offset:5], [IDx+offset:5]!, [IDx-offset:5]! (IDx = ID0 or ID1)



## AND SR0 — Bit-wise AND with SR0

**Format:** AND SR0, #imm:8

**Operation:** SR0 ← SR0 & imm:8

AND SR0 performs the bit-wise AND operation on the value of SR0 and imm:8 and stores the result in SR0.

**Flags:** –

**Example:** Given: SR0 = 11000010b

nIE	EQU	~02h
nIE0	EQU	~40h
nIE1	EQU	~80h

AND SR0, #nIE | nIE0 | nIE1

AND SR0, #11111101b

In the first example, the statement “AND SR0, #nIE|nIE0|nIE1” clear all of bits of the global interrupt, interrupt 0 and interrupt 1. On the contrary, cleared bits can be set to ‘1’ by instruction “OR SR0, #imm:8”. Refer to instruction OR SR0 for more detailed explanation about enabling bit.

In the second example, the statement “AND SR0, #11111101b” is equal to instruction DI, which is disabling interrupt globally.

## BANK — GPR Bank selection

**Format:** BANK #imm:2

**Operation:** SR0[4:3] ← imm:2

**Flags:** –

**NOTE:** For explanation of the CalmRISC banked register file and its usage, please refer to chapter 3.

**Example:**

```
BANK #1 // Select register bank 1
LD R0, #11h // Bank1's R0 ← 11h

BANK #2 // Select register bank 2
LD R1, #22h // Bank2's R1 ← 22h
```

## BITC — Bit Complement

**Format:** BITC adr:8.bs

bs: 3-digit bit specifier

**Operation:**  $R3 \leftarrow ((\text{adr}:8) \wedge (2^{**\text{bs}}))$  if (TF == 0)

$(\text{adr}:8) \leftarrow ((\text{adr}:8) \wedge (2^{**\text{bs}}))$  if (TF == 1)

BITC complements the specified bit of a value read from memory and stores the result in R3 or back into memory, depending on the value of TF. TF is set or clear by BMS/BMC instruction.

**Flags:** **Z:** set if result is zero. Reset if not.

**NOTE:** Since the destination register R3 is fixed, it is not specified explicitly.

**Example:** Given: IDH = 01, DM[0180h] = FFh, eid = 1

BMC		// TF ← 0
BITC	80h.0	// R3 ← FEh, DM[0180h] = FFh
BMS		// TF ← 1
BITC	80h.1	// DM[0180h] ← FDh

## BITR — Bit Reset

**Format:** BITR adr:8.bs

bs: 3-digit bit specifier

**Operation:**  $R3 \leftarrow ((\text{adr}:8) \& ((11111111)_2 - (2^{**\text{bs}})))$  if (TF == 0)

$(\text{adr}:8) \leftarrow ((\text{adr}:8) \& ((11111111)_2 - (2^{**\text{bs}})))$  if (TF == 1)

BITR resets the specified bit of a value read from memory and stores the result in R3 or back into memory, depending on the value of TF. TF is set or clear by BMS/BMC instruction.

**Flags:** **Z:** set if result is zero. Reset if not.

**NOTE:** Since the destination register R3 is fixed, it is not specified explicitly.

**Example:** Given: IDH = 01, DM[0180h] = FFh, eid = 1

BMC		// TF ← 0
BITR	80h.1	// R3 ← FDh, DM[0180h] = FFh
BMS		// TF ← 1
BITR	80h.2	// DM[0180h] ← FBh

## BITS — Bit Set

**Format:** BITS adr:8.bs

bs: 3-digit bit specifier.

**Operation:**  $R3 \leftarrow ((\text{adr}:8) | (2^{**\text{bs}}))$  if (TF == 0)  
 $(\text{adr}:8) \leftarrow ((\text{adr}:8) | (2^{**\text{bs}}))$  if (TF == 1)

BITS sets the specified bit of a value read from memory and stores the result in R3 or back into memory, depending on the value of TF. TF is set or clear by BMS/BMC instruction.

**Flags:** **Z:** set if result is zero. Reset if not.

**NOTE:** Since the destination register R3 is fixed, it is not specified explicitly.

**Example:** Given: IDH = 01, DM[0180h] = F0h, eid = 1

BMC		// TF ← 0
BITS	80h.1	// R3 ← 0F2h, DM[0180h] = F0h
BMS		// TF ← 1
BITS	80h.2	// DM[0180h] ← F4h

## BITT — Bit Test

**Format:** BITT adr:8.bs

bs: 3-digit bit specifier.

**Operation:**  $Z \leftarrow \sim((\text{adr}:8) \& (2^{**\text{bs}}))$

BITT tests the specified bit of a value read from memory.

**Flags:** **Z:** set if result is zero. Reset if not.

**Example:** Given: DM[0080h] = F7h, eid = 0

```
BITT    80h.3           // Z flag is set to '1'
JR      Z, %1           // Jump to label %1 because condition is true.
.
.
.
%1      BITS    80h.3
NOP
.
.
.
```

## BMC/BMS – TF bit clear/set

**Format:** BMS/BMC

**Operation:** BMC/BMS clears (sets) the TF bit.

TF  $\leftarrow$  0 if BMC

TF  $\leftarrow$  1 if BMS

TF is a single bit flag which determines the destination of bit operations, such as BITC, BITR, and BITS.

**Flags:** –

**NOTE:** BMC/BMS are the only instructions that modify the content of the TF bit.

**Example:**

```
BMS                                // TF  $\leftarrow$  1
BITS      81h.1

BMC                                // TF  $\leftarrow$  0
BITR      81h.2
LD        R0, R3
```

## CALL — Conditional Subroutine Call (Pseudo Instruction)

**Format:** CALL cc:4, imm:20  
CALL imm:12

**Operation:** If CALLS can access the target address and there is no conditional code (cc:4), CALL command is assembled to CALLS (1-word instruction) in linking time, else the CALL is assembled to LCALL (2-word instruction).

**Example:**

```
CALL    C, Wait                // HS[sptr][15:0] ← current PC + 2, sptr ← sptr + 2
•
•
•
CALL    0088h                  // HS[sptr][15:0] ← current PC + 1, sptr ← sptr + 2
•
•
•
Wait:  NOP                    // Address at 0088h
      NOP
      NOP
      NOP
      NOP
      RET
```



## CALLS — Call Subroutine

**Format:** CALLS imm:12

**Operation:** HS[sptr][15:0] ← current PC + 1, sptr ← sptr + 2 if the program size is less than 64K word.  
HS[sptr][19:0] ← current PC + 1, sptr ← sptr + 2 if the program size is equal to or over 64K word.  
PC[11:0] ← imm:12  
CALLS unconditionally calls a subroutine residing at the address specified by imm:12.

**Flags:** —

**Example:**

```
CALLS    Wait
•
•
•
Wait:    NOP
        NOP
        NOP
        RET
```

Because this is a 1-word instruction, the saved returning address on stack is (PC + 1).

## CLD — Load into Coprocessor

**Format:** CLD imm:8, <op>

<op>: GPR

**Operation:** (imm:8) ← <op>

CLD loads the value of <op> into (imm:8), where imm:8 is used to access the external coprocessor's address space.

**Flags:** —

**Example:**

```

AH      EQU    00h
AL      EQU    01h
BH      EQU    02h
BL      EQU    03h
      •
      •
      •
      CLD    AH, R0      // A[15:8] ← R0
      CLD    AL, R1      // A[7:0] ← R1

      CLD    BH, R2      // B[15:8] ← R2
      CLD    BL, R3      // B[7:0] ← R3

```

The registers A[15:0] and B[15:0] are Arithmetic Unit (AU) registers of MAC816.  
Above instructions generate SYSCP[7:0], nCLDID and CLDWR signals to access MAC816.

## CLD — Load from Coprocessor

**Format:** CLD <op>, imm:8

<op>: GPR

**Operation:** <op> ← (imm:8)

CLD loads a value from the coprocessor, whose address is specified by imm:8.

**Flags:** **Z:** set if the loaded value in <op1> is zero. Reset if not.  
**N:** set if the MSB of the loaded value in <op1> is 1. Reset if not.

**Example:**

```
AH      EQU  00h
AL      EQU  01h
BH      EQU  02h
BL      EQU  03h
      .
      .
      .
      CLD  R0, AH      // R0 ← A[15:8]
      CLD  R1, AL      // R1 ← A[7:0]

      CLD  R2, BH      // R2 ← B[15:8]
      CLD  R3, BL      // R3 ← B[7:0]
```

The registers A[15:0] and B[15:0] are Arithmetic Unit (AU) registers of MAC816.  
 Above instructions generate SYSCP[7:0], nCLDID and CLDWR signals to access MAC816.

## COM — 1's or Bit-wise Complement

**Format:** COM <op>

<op>: GPR

**Operation:** <op> ← ~<op>

COM takes the bit-wise complement operation on <op> and stores the result in <op>.

**Flags:** **Z:** set if result is zero. Reset if not.

**N:** set if the MSB of result is 1. Reset if not.

**Example:** Given: R1 = 5Ah

COM R1 // R1 ← A5h, N flag is set to '1'

## COM2 — 2's Complement

**Format:** COM2 <op>

<op>: GPR

**Operation:** <op>  $\leftarrow$   $\sim$ <op> + 1

COM2 computes the 2's complement of <op> and stores the result in <op>.

**Flags:** **C:** set if carry is generated. Reset if not.  
**Z:** set if result is zero. Reset if not.  
**V:** set if overflow is generated. Reset if not.  
**N:** set if result is negative.

**Example:** Given: R0 = 00h, R1 = 5Ah

COM2 R0 // R0  $\leftarrow$  00h, Z and C flags are set to '1'.

COM2 R1 // R1  $\leftarrow$  A6h, N flag is set to '1'.

## COMC — Bit-wise Complement with Carry

**Format:** COMC <op>

<op>: GPR

**Operation:** <op> ← ~<op> + C

COMC takes the bit-wise complement of <op>, adds carry and stores the result in <op>.

**Flags:**

- C:** set if carry is generated. Reset if not.
- Z:** set if result is zero. Reset if not.
- V:** set if overflow is generated. Reset if not.
- N:** set if result is negative. Reset if not.

**Example:** If register pair R1:R0 is a 16-bit number, then the 2's complement of R1:R0 can be obtained by COM2 and COMC as following.

COM2	R0
COMC	R1

Note that Z flag do not exactly reflect result of 16-bit operation. For example, if 16-bit register pair R1: R0 has value of FF01h, then 2's complement of R1: R0 is made of 00FFh by COM2 and COMC. At this time, by instruction COMC, zero (Z) flag is set to '1' as if the result of 2's complement for 16-bit number is zero. Therefore when programming 16-bit comparison, take care of the change of Z flag.

## COP — Coprocessor

**Format:** COP #imm:12

**Operation:** COP passes imm:12 to the coprocessor by generating SYSCP[11:0] and nCOPID signals.

**Flags:** –

**Example:**

```
COP    #0D01h           // generate 1 word instruction code(FD01h)
COP    #0234h           // generate 1 word instruction code(F234h)
```

The above two instructions are equal to statement “ELD A, #1234h” for MAC816 operation. The microcode of MAC instruction “ELD A, #1234h” is “FD01F234”, 2-word instruction. In this, code ‘F’ indicates ‘COP’ instruction.

## CP — Compare

**Format:** CP <op1>, <op2>

<op1>: GPR

<op2>: adr:8, #imm:8, GPR, @idm

**Operation:** <op1> + ~<op2> + 1

CP compares the values of <op1> and <op2> by subtracting <op2> from <op1>. Contents of <op1> and <op2> are not changed.

**Flags:**

- C:** set if carry is generated. Reset if not.
- Z:** set if result is zero (i.e., <op1> and <op2> are same). Reset if not.
- V:** set if overflow is generated. Reset if not.
- N:** set if result is negative. Reset if not.

**Example:** Given: R0 = 73h, R1 = A5h, IDH:IDL0 = 0123h, DM[0123h] = A5, eid = 1

```

CP    R0, 80h                // C flag is set to '1'
CP    R0, #73h              // Z and C flags are set to '1'
CP    R0, R1                // V flag is set to '1'
CP    R1, @ID0              // Z and C flags are set to '1'
CP    R1, @[ID0 - 5]
CP    R2, @[ID0 + 7]!
CP    R2, @[ID0 - 2]!
```

In the last two instructions, the value of IDH:IDL0 is not changed. Refer to Table 7-5 for more detailed explanation about this addressing mode.

idm = IDx+offset:5, [IDx-offset:5], [IDx+offset:5]!, [IDx-offset:5]! (IDx = ID0 or ID1)



## CPC — Compare with Carry

**Format:** CPC <op1>, <op2>

<op1>: GPR

<op2>: adr:8, GPR

**Operation:** <op1> ← <op1> + ~<op2> + C

CPC compares <op1> and <op2> by subtracting <op2> from <op1>. Unlike CP, however, CPC adds (C - 1) to the result. Contents of <op1> and <op2> are not changed.

**Flags:**

- C:** set if carry is generated. Reset if not.
- Z:** set if result is zero. Reset if not.
- V:** set if overflow is generated. Reset if not.
- N:** set if result is negative. Reset if not.

**Example:** If register pair R1:R0 and R3:R2 are 16-bit signed or unsigned numbers, then use CP and CPC to compare two 16-bit numbers as follows.

CP        R0, R1

CPC      R2, R3

Because CPC considers C when comparing <op1> and <op2>, CP and CPC can be used in pair to compare 16-bit operands. But note that zero (Z) flag do not exactly reflect result of 16-bit operation. Therefore when programming 16-bit comparison, take care of the change of Z flag.

## DEC — Decrement

**Format:** DEC <op>

<op>: GPR

**Operation:** <op> ← <op> + 0FFh

DEC decrease the value in <op> by adding 0FFh to <op>.

**Flags:**

- C:** set if carry is generated. Reset if not.
- Z:** set if result is zero. Reset if not.
- V:** set if overflow is generated. Reset if not.
- N:** set if result is negative. Reset if not.

**Example:** Given: R0 = 80h, R1 = 00h

```
DEC    R0                // R0 ← 7Fh, C, V and N flags are set to '1'
```

```
DEC    R1                // R1 ← FFh, N flags is set to '1'
```

## DECC — Decrement with Carry

**Format:** DECC <op>

<op>: GPR

**Operation:** <op> ← <op> + 0FFh + C

DECC decrease the value in <op> when carry is not set. When there is a carry, there is no change in the value of <op>.

**Flags:**

- C:** set if carry is generated. Reset if not.
- Z:** set if result is zero. Reset if not.
- V:** set if overflow is generated. Reset if not.
- N:** set if result is negative. Reset if not.

**Example:** If register pair R1:R0 is 16-bit signed or unsigned number, then use DEC and DECC to decrement 16-bit number as follows.

```
DEC    R0
DECC   R1
```

Note that zero (Z) flag do not exactly reflect result of 16-bit operation. Therefore when programming 16-bit decrement, take care of the change of Z flag.

## DI — Disable Interrupt (Pseudo Instruction)

**Format:** DI

**Operation:** Disables interrupt globally. It is same as “AND SR0, #0FDh” .  
DI instruction sets bit1 (ie: global interrupt enable) of SR0 register to “0”

**Flags:** –

**Example:** Given: SR0 = 03h

DI // SR0 ← SR0 & 11111101b

DI instruction clears SR0[1] to '0', disabling interrupt processing.

## EI — Enable Interrupt (Pseudo Instruction)

**Format:** EI

**Operation:** Enables interrupt globally. It is same as “OR SR0, #02h”.  
EI instruction sets the bit1 (ie: global interrupt enable) of SR0 register to “1”

**Flags:** –

**Example:** Given: SR0 = 01h

```
EI // SR0 ← SR0 | 00000010b
```

The statement “EI” sets the SR0[1] to ‘1’, enabling all interrupts.

## IDLE — Idle Operation (Pseudo Instruction)

**Format:** IDLE

**Operation:** The IDLE instruction stops the CPU clock while allowing system clock oscillation to continue. Idle mode can be released by an interrupt or reset operation.  
The IDLE instruction is a pseudo instruction. It is assembled as "SYS #05H", and this generates the SYSCP[7-0] signals. Then these signals are decoded and the decoded signals execute the idle operation.

**Flags:** –

**NOTE:** The next instruction of IDLE instruction is executed, so please use the NOP instruction after the IDLE instruction.

**Example:**

```
IDLE
NOP
NOP
NOP
•
•
•
```

The IDLE instruction stops the CPU clock but not the system clock.

## INC — Increment

**Format:** INC <op>

<op>: GPR

**Operation:** <op>  $\leftarrow$  <op> + 1

INC increase the value in <op>.

**Flags:**

- C:** set if carry is generated. Reset if not.
- Z:** set if result is zero. Reset if not.
- V:** set if overflow is generated. Reset if not.
- N:** set if result is negative. Reset if not.

**Example:** Given: R0 = 7Fh, R1 = FFh

INC R0 // R0  $\leftarrow$  80h, V flag is set to '1'

INC R1 // R1  $\leftarrow$  00h, Z and C flags are set to '1'

## INCC — Increment with Carry

**Format:** INCC <op>

<op>: GPR

**Operation:** <op> ← <op> + C

INCC increase the value of <op> only if there is carry. When there is no carry, the value of <op> is not changed.

**Flags:**

- C:** set if carry is generated. Reset if not.
- Z:** set if result is zero. Reset if not.
- V:** set if overflow is generated. Reset if not.
- N:** exclusive OR of V and MSB of result.

**Example:** If register pair R1:R0 is 16-bit signed or unsigned number, then use INC and INCC to increment 16-bit number as following.

```
INC    R0
INCC   R1
```

Assume R1:R0 is 0010h, statement "INC R0" increase R0 by one without carry and statement "INCC R1" set zero (Z) flag to '1' as if the result of 16-bit increment is zero. Note that zero (Z) flag do not exactly reflect result of 16-bit operation. Therefore when programming 16-bit increment, take care of the change of Z flag.



## IRET — Return from Interrupt Handling

**Format:** IRET

**Operation:**  $PC \leftarrow HS[sptr - 2]$ ,  $sptr \leftarrow sptr - 2$

IRET pops the return address (after interrupt handling) from the hardware stack and assigns it to PC. The ie (i.e., SR0[1]) bit is set to allow further interrupt generation.

**Flags:** –

**NOTE:** The program size (indicated by the nP64KW signal) determines which portion of PC is updated. When the program size is less than 64K word, only the lower 16 bits of PC are updated (i.e.,  $PC[15:0] \leftarrow HS[sptr - 2]$ ). When the program size is 64K word or more, the action taken is  $PC[19:0] \leftarrow HS[sptr - 2]$ .

**Example:**

```
SF_EXCEP:    NOP                // Stack full exception service routine
              .
              .
              .
              IRET
```

## JNZD — Jump Not Zero with Delay slot

**Format:** JNZD <op>, imm:8

<op>: GPR (bank 3's GPR only)

imm:8 is an signed number

**Operation:**  $PC \leftarrow PC[\text{delay slot}] - 2\text{'s complement of imm:8}$

$\langle op \rangle \leftarrow \langle op \rangle - 1$

JNZD performs a backward PC-relative jump if <op> evaluates to be non-zero. Furthermore, JNZD decrease the value of <op>. The instruction immediately following JNZD (i.e., in delay slot) is always executed, and this instruction must be 1 cycle instruction.

**Flags:** –

**NOTE:** Typically, the delay slot will be filled with an instruction from the loop body. It is noted, however, that the chosen instruction should be “dead” outside the loop for it executes even when the loop is exited (i.e., JNZD is not taken).

**Example:** Given: IDH = 03h, eid = 1

```

BANK    #3
LD      R0, #0FFh           // R0 is used to loop counter
LD      R1, #0
%1      LD      IDL0, R0
        JNZD   R0, %B1       // If R0 of bank3 is not zero, jump to %1.
        LD      @ID0, R1     // Clear register pointed by ID0
        .
        .
        .

```

This example can be used for RAM clear routine. The last instruction is executed even if the loop is exited.

## JP — Conditional Jump (Pseudo Instruction)

**Format:** JP cc:4 imm:20  
JP cc:4 imm:9

**Operation:** If JR can access the target address, JP command is assembled to JR (1 word instruction) in linking time, else the JP is assembled to LJP (2 word instruction) instruction. There are 16 different conditions that can be used, as described in table 7-6.

**Example:**

```
%1 LD R0, #10h // Assume address of label %1 is 020Dh
    .
    .
    .
    JP Z, %B1 // Address at 0264h
    JP C, %F2 // Address at 0265h
    .
    .
    .
%2 LD R1, #20h // Assume address of label %2 is 089Ch
    .
    .
    .
```

In the above example, the statement “JP Z, %B1” is assembled to JR instruction. Assuming that current PC is 0264h and condition is true, next PC is made by  $PC[11:0] \leftarrow PC[11:0] + \text{offset}$ , offset value is “64h + A9h” without carry. ‘A9’ means 2’s complement of offset value to jump backward. Therefore next PC is 020Dh. On the other hand, statement “JP C, %F2” is assembled to LJP instruction because offset address exceeds the range of imm:9.

## JR — Conditional Jump Relative

**Format:** JR cc:4 imm:9

cc:4: 4-bit condition code

**Operation:** PC[11:0] ← PC[11:0] + imm:9 if condition is true. imm:9 is a signed number, which is sign-extended to 12 bits when added to PC. There are 16 different conditions that can be used, as described in table 7-6.

**Flags:** —

**NOTE:** Unlike LJP, the target address of JR is PC-relative. In the case of JR, imm:9 is added to PC to compute the actual jump address, while LJP directly jumps to imm:20, the target.

**Example:**

```
JR      Z, %1           // Assume current PC = 1000h
.
.
.
%1 LD    R0, R1         // Address at 10A5h
.
.
.
```

After the first instruction is executed, next PC has become 10A5h if Z flag bit is set to '1'. The range of the relative address is from +255 to -256 because imm:9 is signed number.

## LCALL — Conditional Subroutine Call

**Format:** LCALL cc:4, imm:20

**Operation:** HS[sptr][15:0] ← current PC + 2, sptr ← sptr + 2, PC[15:0] ← imm[15:0] if the condition holds and the program size is less than 64K word.

HS[sptr][19:0] ← current PC + 2, sptr ← sptr + 2, PC[19:0] ← imm:20 if the condition holds and the program size is equal to or over 64K word.

PC[11:0] ← PC[11:0] + 2 otherwise.

LCALL instruction is used to call a subroutine whose starting address is specified by imm:20.

**Flags:** —

**Example:**

LCALL L1

LCALL C, L2

Label L1 and L2 can be allocated to the same or other section. Because this is a 2-word instruction, the saved returning address on stack is (PC + 2).

## LD adr:8 — Load into Memory

**Format:** LD adr:8, <op>

<op>: GPR

**Operation:** DM[00h:adr:8] ← <op> if eid = 0  
DM[IDH:adr:8] ← <op> if eid = 1

LD adr:8 loads the value of <op> into a memory location. The memory location is determined by the eid bit and adr:8.

**Flags:** –

**Example:** Given: IDH = 01h

LD        80h, R0

If eid bit of SR0 is zero, the statement “LD 80h, R0” load value of R0 into DM[0080h], else eid bit was set to ‘1’, the statement “LD 80h, R0” load value of R0 into DM[0180h]

## LD @idm — Load into Memory Indexed

**Format:** LD @idm, <op>

<op>: GPR

**Operation:** (@idm) ← <op>

LD @idm loads the value of <op> into the memory location determined by @idm. Details of the @idm format and how the actual address is calculated can be found in chapter 2.

**Flags:** —

**Example:** Given R0 = 5Ah, IDH:IDL0 = 8023h, eid = 1

```
LD    @ID0, R0           // DM[8023h] ← 5Ah
LD    @ID0 + 3, R0      // DM[8023h] ← 5Ah, IDL0 ← 26h
LD    @[ID0-5], R0     // DM[801Eh] ← 5Ah, IDL0 ← 1Eh
LD    @[ID0+4]!, R0    // DM[8027h] ← 5Ah, IDL0 ← 23h
LD    @[ID0-2]!, R0    // DM[8021h] ← 5Ah, IDL0 ← 23h
```

In the last two instructions, the value of IDH:IDL0 is not changed. Refer to Table 7-5 for more detailed explanation about this addressing mode.

idm = IDx+offset:5, [IDx-offset:5], [IDx+offset:5]!, [IDx-offset:5]! (IDx = ID0 or ID1)

## LD — Load Register

**Format:** LD <op1>, <op2>

<op1>: GPR

<op2>: GPR, SPR, adr:8, @idm, #imm:8

**Operation:** <op1> ← <op2>

LD loads a value specified by <op2> into the register designated by <op1>.

**Flags:** **Z:** set if result is zero. Reset if not.  
**N:** exclusive OR of V and MSB of result.

**Example:** Given: R0 = 5Ah, R1 = AAh, IDH:IDL0 = 8023h, eid = 1

```
LD    R0, R1           // R0 ← AAh
LD    R1, IDH          // R1 ← 80h
LD    R2, 80h          // R2 ← DM[8080h]
LD    R0, #11h         // R0 ← 11h
LD    R0, @ID0+1       // R0 ← DM[8023h], IDL0 ← 24h
LD    R1, @[ID0-2]     // R1 ← DM[8021h], IDL0 ← 21h
LD    R2, @[ID0+3]!    // R2 ← DM[8026h], IDL0 ← 23h
LD    R3, @[ID0-5]!    // R3 ← DM[801Eh], IDL0 ← 23h
```

In the last two instructions, the value of IDH:IDL0 is not changed. Refer to Table 7-5 for more detailed explanation about this addressing mode.

idm = IDx+offset:5, [IDx-offset:5], [IDx+offset:5]!, [IDx-offset:5]! (IDx = ID0 or ID1)



## LD — Load GPR:bankd, GPR:banks

**Format:** LD <op1>, <op2>

<op1>: GPR: bankd  
<op2>: GPR: banks

**Operation:** <op1> ← <op2>

LD loads a value of a register in a specified bank (banks) into another register in a specified bank (bankd).

**Flags:** **Z:** set if result is zero. Reset if not.  
**N:** exclusive OR of V and MSB of result.

**Example:**

LD R2:1, R0:3 // Bank1's R2 ← bank3's R0

LD R0:0, R0:2 // Bank0's R0 ← bank2's R0

## LD — Load GPR, TBH/TBL

**Format:** LD <op1>, <op2>

<op1>: GPR  
<op2>: TBH/TBL

**Operation:** <op1> ← <op2>

LD loads a value specified by <op2> into the register designated by <op1>.

**Flags:** **Z:** set if result is zero. Reset if not.  
**N:** exclusive OR of V and MSB of result.

**Example:** Given: register pair R1:R0 is 16-bit unsigned data.

```
LDC    @IL                // TBH:TBL ← PM[ILX:ILH:ILL]
LD     R1, TBH            // R1 ← TBH
LD     R0, TBL            // R0 ← TBL
```

## LD — Load TBH/TBL, GPR

**Format:** LD <op1>, <op2>

<op1>: TBH/TBL  
<op2>: GPR

**Operation:** <op1> ← <op2>

LD loads a value specified by <op2> into the register designated by <op1>.

**Flags:** —

**Example:** Given: register pair R1:R0 is 16-bit unsigned data.

```
LD      TBH, R1          // TBH ← R1
LD      TBL, R0          // TBL ← R0
```

## LD SPR — Load SPR

**Format:** LD <op1>, <op2>

<op1>: SPR

<op2>: GPR

**Operation:** <op1> ← <op2>

LD SPR loads the value of a GPR into an SPR.

Refer to Table 3-1 for more detailed explanation about kind of SPR.

**Flags:** –

**Example:** Given: register pair R1:R0 = 1020h

```
LD      ILH, R1      // ILH ← 10h
LD      ILL, R0      // ILL ← 20h
```

## LD SPR0 — Load SPR0 Immediate

**Format:** LD SPR0, #imm:8

**Operation:** SPR0 ← imm:8

LD SPR0 loads an 7-bit immediate value into SPR0.

**Flags:** —

**Example:** Given: eid = 1, idb = 0 (index register bank 0 selection)

```
LD      IDH, #80h           // IDH point to page 80h
LD      IDL1, #44h
LD      IDL0, #55h
LD      SR0, #02h
```

The last instruction set ie (global interrupt enable) bit to '1'.  
Special register group 1 (SPR1) registers are not supported in this addressing mode.

## LDC — Load Code

**Format:** LDC <op1>

<op1>: @IL, @IL+

**Operation:** TBH:TBL ← PM[ILX:ILH:ILL]

ILL ← ILL + 1 (@IL+ only)

LDC loads a data item from program memory and stores it in the TBH:TBL register pair.

@IL+ increase the value of ILL, efficiently implementing table lookup operations.

**Flags:** —

**Example:**

```
LD      ILX, R1
LD      ILH, R2
LD      ILL, R3
LDC     @IL           // Loads value of PM[ILX:ILH:ILL] into TBH:TBL

LD      R1, TBH       // Move data in TBH:TBL to GPRs for further processing
LD      R0, TBL
```

The statement “LDC @IL” do not increase, but if you use statement “LDC @IL+”, ILL register is increased by one after instruction execution.

## LJP — Conditional Jump

**Format:** LJP cc:4, imm:20

cc:4: 4-bit condition code

**Operation:** PC[15:0] ← imm[15:0] if condition is true and the program size is less than 64K word. If the program is equal to or larger than 64K word, PC[19:0] ← imm[19:0] as long as the condition is true. There are 16 different conditions that can be used, as described in table 7-6.

**Flags:** —

**NOTE:** LJP cc:4 imm:20 is a 2-word instruction whose immediate field directly specifies the target address of the jump.

**Example:**

```
LJP      C, %1                // Assume current PC = 0812h
•
•
•
%1 LD    R0, R1              // Address at 10A5h
•
•
•
```

After the first instruction is executed, LJP directly jumps to address 10A5h if condition is true.

## LLNK — Linked Subroutine Call Conditional

**Format:** LLNK cc:4, imm:20

cc:4: 4-bit condition code

**Operation:** If condition is true,  $IL[19:0] \leftarrow \{PC[19:12], PC[11:0] + 2\}$ .

Further, when the program is equal to or larger than 64K word,  $PC[19:0] \leftarrow imm[19:0]$  as long as the condition is true. If the program is smaller than 64K word,  $PC[15:0] \leftarrow imm[15:0]$ .

There are 16 different conditions that can be used, as described in table 7-6.

**Flags:** —

**NOTE:** LLNK is used to conditionally to call a subroutine with the return address saved in the link register (IL) without stack operation. This is a 2-word instruction.

**Example:**

```

LLNK    Z, %1                // Address at 005Ch, ILX:ILH:ILL ← 00:00:5Eh
NOP                    // Address at 005Eh
.
.
.
%1    LD    R0, R1
.
.
.
LRET

```



## LNK — Linked Subroutine Call (Pseudo Instruction)

**Format:** LNK cc:4, imm:20  
LNK imm:12

**Operation:** If LNKS can access the target address and there is no conditional code (cc:4), LNK command is assembled to LNKS (1 word instruction) in linking time, else the LNK is assembled to LLNK (2 word instruction).

**Example:**

```

LNK      Z, Link1           // Equal to "LLNK Z, Link1"
LNK      Link2             // Equal to "LNKS Link2"
NOP
.
.
.
Link2:  NOP
.
.
.
LRET

Subroutines      section CODE, ABS 0A00h
Subroutines
Link1:  NOP
.
.
.
LRET

```

## LNKS — Linked Subroutine Call

**Format:** LNKS imm:12

**Operation:** IL[19:0]  $\leftarrow$  {PC[19:12], PC[11:0] + 1} and PC[11:0]  $\leftarrow$  imm:12  
LNKS saves the current PC in the link register and jumps to the address specified by imm:12.

**Flags:** –

**NOTE:** LNKS is used to call a subroutine with the return address saved in the link register (IL) without stack operation.

**Example:**

```
LNKS    Link1           // Address at 005Ch, ILX:ILH:ILL  $\leftarrow$  00:00:5Dh
NOP                                           // Address at 005Dh
•
•
•
Link1:  NOP
•
•
•
LRET
```

## LRET — Return from Linked Subroutine Call

**Format:** LRET

**Operation:** PC  $\leftarrow$  IL[19:0]  
LRET returns from a subroutine by assigning the saved return address in IL to PC.

**Flags:** –

**Example:**

```
Link1: LNK      Link1
        NOP
        •
        •
        •
        LRET          ; PC[19:0]  $\leftarrow$  ILX:ILH:ILL
```

## **NOP** — No Operation

**Format:** NOP

**Operation:** No operation.

When the instruction NOP is executed in a program, no operation occurs. Instead, the instruction time is delayed by approximately one machine cycle per each NOP instruction encountered.

**Flags:** —

**Example:**  
NOP

## OR — Bit-wise OR

**Format:** OR <op1>, <op2>

<op1>: GPR

<op2>: adr:8, #imm:8, GPR, @idm

**Operation:** <op1> ← <op1> | <op2>

OR performs the bit-wise OR operation on <op1> and <op2> and stores the result in <op1>.

**Flags:** **Z:** set if result is zero. Reset if not.

**N:** exclusive OR of V and MSB of result.

**Example:** Given: IDH:IDL0 = 031Eh, eid = 1

```
OR    R0, 80h                // R0 ← R0 | DM[0380h]
```

```
OR    R1, #40h              // Mask bit6 of R1
```

```
OR    R1, R0                // R1 ← R1 | R0
```

```
OR    R0, @ID0              // R0 ← R0 | DM[031Eh], IDL0 ← 1Eh
```

```
OR    R1, @[ID0-1]         // R1 ← R1 | DM[031Dh], IDL0 ← 1Dh
```

```
OR    R2, @[ID0+1]!        // R2 ← R2 | DM[031Fh], IDL0 ← 1Eh
```

```
OR    R3, @[ID0-1]!        // R3 ← R3 | DM[031Dh], IDL0 ← 1Eh
```

In the last two instructions, the value of IDH:IDL0 is not changed. Refer to Table 7-5 for more detailed explanation about this addressing mode.

idm = IDx+offset:5, [IDx-offset:5], [IDx+offset:5]!, [IDx-offset:5]! (IDx = ID0 or ID1)

## OR SR0 — Bit-wise OR with SR0

**Format:** OR SR0, #imm:8

**Operation:** SR0 ← SR0 | imm:8

OR SR0 performs the bit-wise OR operation on SR0 and imm:8 and stores the result in SR0.

**Flags:** –

**Example:** Given: SR0 = 00000000b

EID	EQU	01h
IE	EQU	02h
IDB1	EQU	04h
IE0	EQU	40h
IE1	EQU	80h

OR SR0, #IE | IE0 | IE1

OR SR0, #00000010b

In the first example, the statement “OR SR0, #EID|IE|IE0” set global interrupt(ie), interrupt 0(ie0) and interrupt 1(ie1) to ‘1’ in SR0. On the contrary, enabled bits can be cleared with instruction “AND SR0, #imm:8”. Refer to instruction AND SR0 for more detailed explanation about disabling bit.

In the second example, the statement “OR SR0, #00000010b” is equal to instruction EI, which is enabling interrupt globally.

## POP — POP

**Format:** POP

**Operation:**  $\text{sptr} \leftarrow \text{sptr} - 2$

POP decrease sptr by 2. The top two bytes of the hardware stack are therefore invalidated.

**Flags:** —

**Example:** Given:  $\text{sptr}[5:0] = 001010b$

POP

This POP instruction decrease  $\text{sptr}[5:0]$  by 2. Therefore  $\text{sptr}[5:0]$  is  $001000b$ .

## POP — POP to Register

**Format:** POP <op>

<op>: GPR, SPR

**Operation:** <op>  $\leftarrow$  HS[sptr - 1], sptr  $\leftarrow$  sptr - 1

POP copies the value on top of the stack to <op> and decrease sptr by 1.

**Flags:** **Z:** set if the value copied to <op> is zero. Reset if not.  
**N:** set if the value copied to <op> is negative. Reset if not.  
When <op> is SPR, no flags are affected, including Z and N.

**Example:**

```
POP    R0           // R0  $\leftarrow$  HS[sptr-1], sptr  $\leftarrow$  sptr-1
```

```
POP    IDH          // IDH  $\leftarrow$  HS[sptr-1], sptr  $\leftarrow$  sptr-1
```

In the first instruction, value of HS[sptr-1] is loaded to R0 and the second instruction “POP IDH” load value of HS[sptr-1] to register IDH. Refer to chapter 5 for more detailed explanation about POP operations for hardware stack.



## PUSH — Push Register

**Format:** PUSH <op>  
<op>: GPR, SPR

**Operation:** HS[sptr] ← <op>, sptr ← sptr + 1  
PUSH stores the value of <op> on top of the stack and increase sptr by 1.

**Flags:** –

**Example:**

```
PUSH    R0                // HS[sptr] ← R0, sptr ← sptr + 1
PUSH    IDH               // HS[sptr] ← IDH, sptr ← sptr + 1
```

In the first instruction, value of register R0 is loaded to HS[sptr-1] and the second instruction “PUSH IDH” load value of register IDH to HS[sptr-1]. Current HS pointed by stack point sptr[5:0] be emptied. Refer to chapter 5 for more detailed explanation about PUSH operations for hardware stack.

## RET — Return from Subroutine

**Format:** RET

**Operation:**  $PC \leftarrow HS[sptr - 2]$ ,  $sptr \leftarrow sptr - 2$

RET pops an address on the hardware stack into PC so that control returns to the subroutine call site.

**Flags:** –

**Example:** Given:  $sptr[5:0] = 001010b$

```

CALLS   Wait                               // Address at 00120h
•
•
•
Wait:   NOP                                 // Address at 01000h
        NOP
        NOP
        NOP
        NOP
        RET

```

After the first instruction CALLS execution, “PC+1”, 0121h is loaded to HS[5] and hardware stack pointer  $sptr[5:0]$  have 001100b and next PC became 01000h. The instruction RET pops value 0121h on the hardware stack HS[ $sptr-2$ ] and load to PC then stack pointer  $sptr[5:0]$  became 001010b.

## RL — Rotate Left

**Format:** RL <op>

<op>: GPR

**Operation:**  $C \leftarrow \text{<op>}[7], \text{<op>} \leftarrow \{\text{<op>}[6:0], \text{<op>}[7]\}$

RL rotates the value of <op> to the left and stores the result back into <op>. The original MSB of <op> is copied into carry (C).

**Flags:** **C:** set if the MSB of <op> (before rotating) is 1. Reset if not.  
**Z:** set if result is zero. Reset if not.  
**N:** set if the MSB of <op> (after rotating) is 1. Reset if not.

**Example:** Given: R0 = 01001010b, R1 = 10100101b

RL R0 // N flag is set to '1', R0  $\leftarrow$  10010100b

RL R1 // C flag is set to '1', R1  $\leftarrow$  01001011b

## RLC — Rotate Left with Carry

**Format:** RLC <op>

<op>: GPR

**Operation:**  $C \leftarrow \text{<op>}[7], \text{<op>} \leftarrow \{\text{<op>}[6:0], C\}$

RLC rotates the value of <op> to the left and stores the result back into <op>. The original MSB of <op> is copied into carry (C), and the original C bit is copied into <op>[0].

**Flags:**  
**C:** set if the MSB of <op> (before rotating) is 1. Reset if not.  
**Z:** set if result is zero. Reset if not.  
**N:** set if the MSB of <op> (after rotating) is 1. Reset if not.

**Example:** Given: R2 = A5h, if C = 0

```
RLC    R2                // R2 ← 4Ah, C flag is set to '1'
RL     R0
RLC    R1
```

In the second example, assuming that register pair R1:R0 is 16-bit number, then RL and RLC are used for 16-bit rotate left operation. But note that zero (Z) flag do not exactly reflect result of 16-bit operation. Therefore when programming 16-bit decrement, take care of the change of Z flag.

## RR — Rotate Right

**Format:** RR <op>

<op>: GPR

**Operation:**  $C \leftarrow \text{<op>}[0], \text{<op>} \leftarrow \{\text{<op>}[0], \text{<op>}[7:1]\}$

RR rotates the value of <op> to the right and stores the result back into <op>. The original LSB of <op> is copied into carry (C).

**Flags:** **C:** set if the LSB of <op> (before rotating) is 1. Reset if not.

**Z:** set if result is zero. Reset if not.

**N:** set if the MSB of <op> (after rotating) is 1. Reset if not.

**Example:** Given: R0 = 01011010b, R1 = 10100101b

RR R0 // No change of flag, R0 ← 00101101b

RR R1 // C and N flags are set to '1', R1 ← 11010010b

## RRC — Rotate Right with Carry

**Format:** RRC <op>

<op>: GPR

**Operation:**  $C \leftarrow \text{<op>}[0], \text{<op>} \leftarrow \{C, \text{<op>}[7:1]\}$

RRC rotates the value of <op> to the right and stores the result back into <op>. The original LSB of <op> is copied into carry (C), and C is copied to the MSB.

**Flags:**  
**C:** set if the LSB of <op> (before rotating) is 1. Reset if not.  
**Z:** set if result is zero. Reset if not.  
**N:** set if the MSB of <op> (after rotating) is 1. Reset if not.

**Example:** Given: R2 = A5h, if C = 0

```
RRC    R2                // R2 ← 52h, C flag is set to '1'
RR     R0
RRC    R1
```

In the second example, assuming that register pair R1:R0 is 16-bit number, then RR and RRC are used for 16-bit rotate right operation. But note that zero (Z) flag do not exactly reflect result of 16-bit operation. Therefore when programming 16-bit decrement, take care of the change of Z flag.

## SBC — Subtract with Carry

**Format:** SBC <op1>, <op2>

<op1>: GPR

<op2>: adr:8, GPR

**Operation:**  $\langle op1 \rangle \leftarrow \langle op1 \rangle + \sim \langle op2 \rangle + C$

SBC computes  $(\langle op1 \rangle - \langle op2 \rangle)$  when there is carry and  $(\langle op1 \rangle - \langle op2 \rangle - 1)$  when there is no carry.

**Flags:**

- C:** set if carry is generated. Reset if not.
- Z:** set if result is zero. Reset if not.
- V:** set if overflow is generated.
- N:** set if result is negative. Reset if not.

**Example:**

```

SBC    R0, 80h           // If eid = 0, R0 ← R0 + ~DM[0080h] + C
                          // If eid = 1, R0 ← R0 + ~DM[IDH:80h] + C

SBC    R0, R1           // R0 ← R0 + ~R1 + C

SUB    R0, R2
SBC    R1, R3
  
```

In the last two instructions, assuming that register pair R1:R0 and R3:R2 are 16-bit signed or unsigned numbers. Even if the result of “ADD R0, R2” is not zero, zero (Z) flag can be set to ‘1’ if the result of “SBC R1,R3” is zero. Note that zero (Z) flag do not exactly reflect result of 16-bit operation. Therefore when programming 16-bit addition, take care of the change of Z flag.

## SL — Shift Left

**Format:** SL <op>

<op>: GPR

**Operation:**  $C \leftarrow \text{<op>[7]}$ ,  $\text{<op>} \leftarrow \{\text{<op>[6:0]}, 0\}$

SL shifts <op> to the left by 1 bit. The MSB of the original <op> is copied into carry (C).

**Flags:** **C:** set if the MSB of <op> (before shifting) is 1. Reset if not.

**Z:** set if result is zero. Reset if not.

**N:** set if the MSB of <op> (after shifting) is 1. Reset if not.

**Example:** Given: R0 = 01001010b, R1 = 10100101b

SL R0 // N flag is set to '1', R0  $\leftarrow$  10010100b

SL R1 // C flag is set to '1', R1  $\leftarrow$  01001010b



## SLA — Shift Left Arithmetic

**Format:** SLA <op>

<op>: GPR

**Operation:**  $C \leftarrow \text{<op>}[7], \text{<op>} \leftarrow \{\text{<op>}[6:0], 0\}$

SLA shifts <op> to the left by 1 bit. The MSB of the original <op> is copied into carry (C).

**Flags:**

- C:** set if the MSB of <op> (before shifting) is 1. Reset if not.
- Z:** set if result is zero. Reset if not.
- V:** set if the MSB of the result is different from C. Reset if not.
- N:** set if the MSB of <op> (after shifting) is 1. Reset if not.

**Example:** Given: R0 = AAh

```
SLA    R0                // C, V, N flags are set to '1', R0 ← 54h
```



## SRA — Shift Right Arithmetic

**Format:** SRA <op>

<op>: GPR

**Operation:**  $C \leftarrow \langle op \rangle[0], \langle op \rangle \leftarrow \{ \langle op \rangle[7], \langle op \rangle[7:1] \}$

SRA shifts <op> to the right by 1 bit while keeping the sign of <op>. The LSB of the original <op> (i.e., <op>[0]) is copied into carry (C).

**Flags:**  
**C:** set if the LSB of <op> (before shifting) is 1. Reset if not.  
**Z:** set if result is zero. Reset if not.  
**N:** set if the MSB of <op> (after shifting) is 1. Reset if not.

**NOTE:** SRA keeps the sign bit or the MSB (<op>[7]) in its original position. If SRA is executed 'N' times, N significant bits will be set, followed by the shifted bits.

**Example:** Given: R0 = 10100101b

SRA	R0	// C, N flags are set to '1', R0 ← 11010010b
SRA	R0	// N flag is set to '1', R0 ← 11101001b
SRA	R0	// C, N flags are set to '1', R0 ← 11110100b
SRA	R0	// N flags are set to '1', R0 ← 11111010b

## STOP — Stop Operation (pseudo instruction)

**Format:** STOP

**Operation:** The STOP instruction stops the both the CPU clock and system clock and causes the microcontroller to enter the STOP mode. In the STOP mode, the contents of the on-chip CPU registers, peripheral registers, and I/O port control and data register are retained. A reset operation or external or internal interrupts can release stop mode. The STOP instruction is a pseudo instruction. It is assembled as “SYS #0Ah”, which generates the SYSCP[7-0] signals. These signals are decoded and stop the operation.

**NOTE:** The next instruction of STOP instruction is executed, so please use the NOP instruction after the STOP instruction.

**Example:**

```
STOP
NOP
NOP
NOP
•
•
•
```

In this example, the NOP instructions provide the necessary timing delay for oscillation stabilization before the next instruction in the program sequence is executed. Refer to the timing diagrams of oscillation stabilization, as described in Figure 17-3, 17-4

## SUB — Subtract

**Format:** SUB <op1>, <op2>

<op1>: GPR

<op2>: adr:8, #imm:8, GPR, @idm

**Operation:** <op1>  $\leftarrow$  <op1> + ~<op2> + 1

SUB adds the value of <op1> with the 2's complement of <op2> to perform subtraction on <op1> and <op2>

**Flags:**

- C:** set if carry is generated. Reset if not.
- Z:** set if result is zero. Reset if not.
- V:** set if overflow is generated. Reset if not.
- N:** set if result is negative. Reset if not.

**Example:** Given: IDH:IDL0 = 0150h, DM[0143h] = 26h, R0 = 52h, R1 = 14h, eid = 1

SUB R0, 43h // R0  $\leftarrow$  R0 + ~DM[0143h] + 1 = 2Ch

SUB R1, #16h // R1  $\leftarrow$  FEh, N flag is set to '1'

SUB R0, R1 // R0  $\leftarrow$  R0 + ~R1 + 1 = 3Eh

SUB R0, @ID0+1 // R0  $\leftarrow$  R0 + ~DM[0150h] + 1, IDL0  $\leftarrow$  51h

SUB R0, @[ID0-2] // R0  $\leftarrow$  R0 + ~DM[014Eh] + 1, IDL0  $\leftarrow$  4Eh

SUB R0, @[ID0+3]! // R0  $\leftarrow$  R0 + ~DM[0153h] + 1, IDL0  $\leftarrow$  50h

SUB R0, @[ID0-2]! // R0  $\leftarrow$  R0 + ~DM[014Eh] + 1, IDL0  $\leftarrow$  50h

In the last two instructions, the value of IDH:IDL0 is not changed. Refer to Table 7-5 for more detailed explanation about this addressing mode. The example in the SBC description shows how SUB and SBC can be used in pair to subtract a 16-bit number from another.

idm = IDx+offset:5, [IDx-offset:5], [IDx+offset:5]!, [IDx-offset:5]! (IDx = ID0 or ID1)

## SWAP — Swap

**Format:** SWAP <op1>, <op2>

<op1>: GPR

<op2>: SPR

**Operation:** <op1> ← <op2>, <op2> ← <op1>

SWAP swaps the values of the two operands.

**Flags:** –

**NOTE:** Among the SPRs, SR0 and SR1 can not be used as <op2>.

**Example:** Given: IDH:IDL0 = 8023h, R0 = 56h, R1 = 01h

SWAP R1, IDH // R1 ← 80h, IDH ← 01h

SWAP R0, IDL0 // R0 ← 23h, IDL0 ← 56h

After execution of instructions, index registers IDH:IDL0 (ID0) have address 0156h.

## SYS — System

**Format:** SYS #imm:8

**Operation:** SYS generates SYSCP[7:0] and nSYSID signals.

**Flags:** –

**NOTE:** Mainly used for system peripheral interfacing.

**Example:**

SYS #0Ah

SYS #05h

In the first example, statement “SYS #0Ah” is equal to STOP instruction and second example “SYS #05h” is equal to IDLE instruction. This instruction does nothing but increase PC by one and generates SYSCP[7:0] and nSYSID signals.

## TM — Test Multiple Bits

**Format:** TM <op>, #imm:8

<op>: GPR

**Operation:** TM performs the bit-wise AND operation on <op> and imm:8 and sets the flags. The content of <op> is not changed.

**Flags:**  
**Z:** set if result is zero. Reset if not.  
**N:** set if result is negative. Reset if not.

**Example:** Given: R0 = 01001101b

TM R0, #00100010b // Z flag is set to '1'



## XOR — Exclusive OR

**Format:** XOR <op1>, <op2>

<op1>: GPR

<op2>: adr:8, #imm:8, GPR, @idm

**Operation:** <op1> ← <op1> ^ <op2>

XOR performs the bit-wise exclusive-OR operation on <op1> and <op2> and stores the result in <op1>.

**Flags:** **Z:** set if result is zero. Reset if not.

**N:** set if result is negative. Reset if not.

**Example:** Given: IDH:IDL0 = 8080h, DM[8043h] = 26h, R0 = 52h, R1 = 14h, eid = 1

XOR R0, 43h // R0 ← 74h

XOR R1, #00101100b // R1 ← 38h

XOR R0, R1 // R0 ← 46h

XOR R0, @ID0 // R0 ← R0 ^ DM[8080h], IDL0 ← 81h

XOR R0, @[ID0-2] // R0 ← R0 ^ DM[807Eh], IDL0 ← 7Eh

XOR R0, @[ID0+3]! // R0 ← R0 ^ DM[8083h], IDL0 ← 80h

XOR R0, @[ID0-5]! // R0 ← R0 ^ DM[807Bh], IDL0 ← 80h

In the last two instructions, the value of IDH:IDL0 is not changed. Refer to Table 7-5 for more detailed explanation about this addressing mode.

idm = IDx+offset:5, [IDx-offset:5], [IDx+offset:5]!, [IDx-offset:5]! (IDx = ID0 or ID1)

NOTES

# 8

## CLOCK CIRCUIT

### SYSTEM CLOCK CIRCUIT

The system clock circuit has the following components:

- External crystal, ceramic resonator, or RC oscillation source (or an external clock source)
- Oscillator stop and wake-up functions
- Programmable frequency divider for the CPU clock ( $f_{OSC}$  divided by 1, 2, 4, 8, 16, 32, 64, 128)
- System clock control register, PCON
- Oscillator control register, OSCCON
- Main oscillator clock output control register, CLOCON

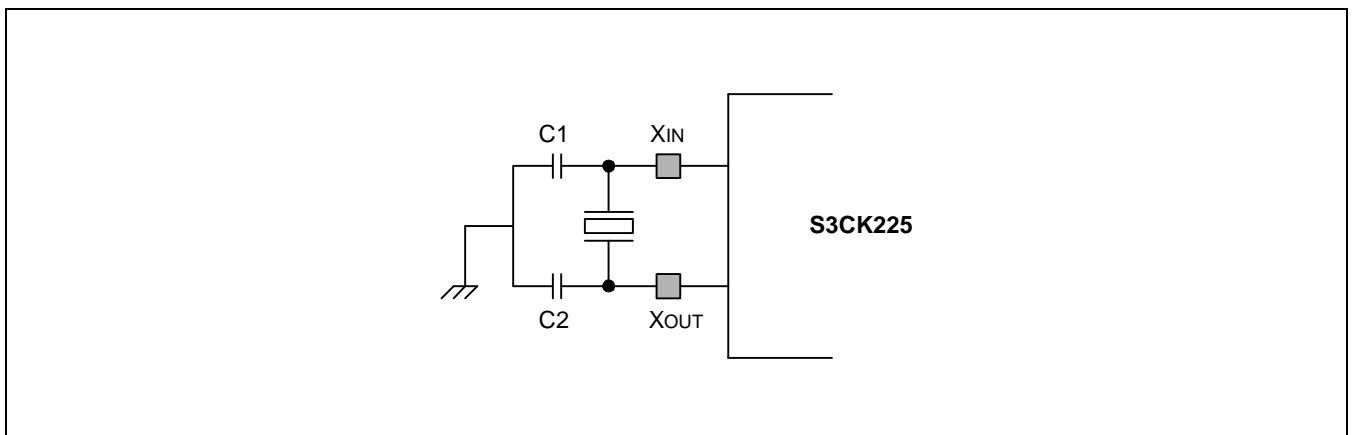


Figure 8-1. Main Oscillator Circuit (Crystal or Ceramic Oscillator)

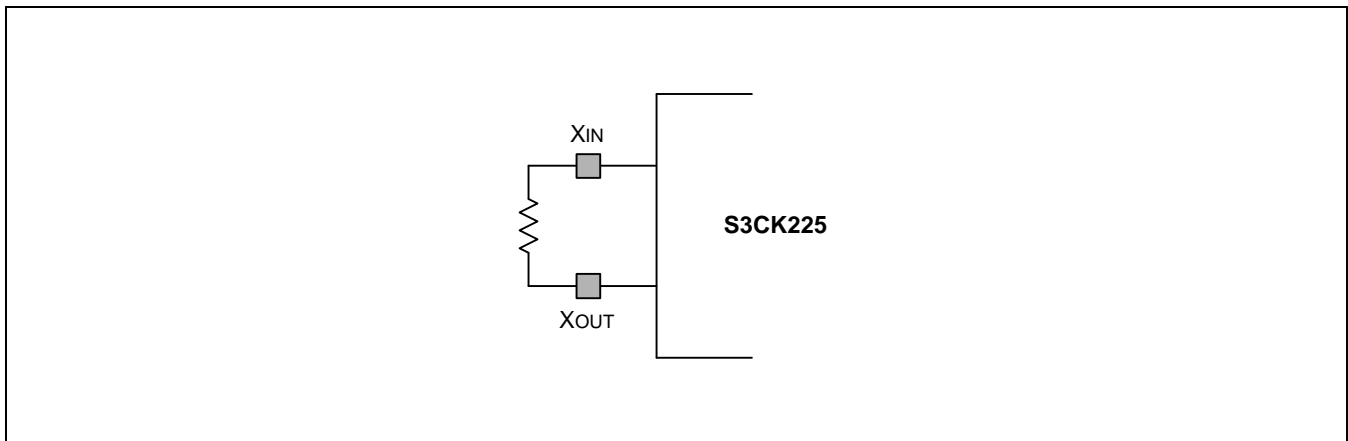


Figure 8-2. Main Oscillator Circuit (RC Oscillator)

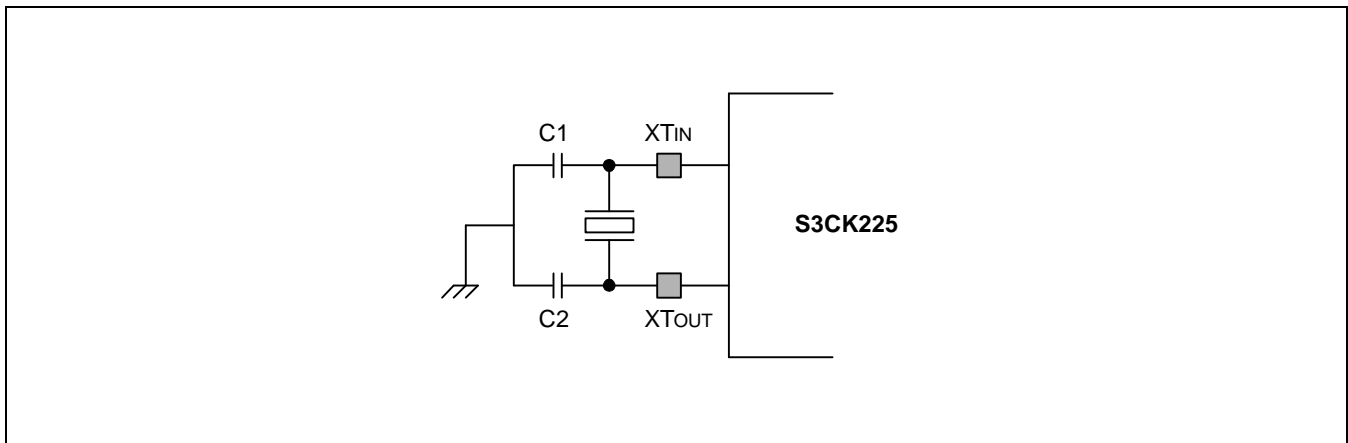


Figure 8-3. Sub Oscillator Circuit (Crystal or Ceramic Oscillator)

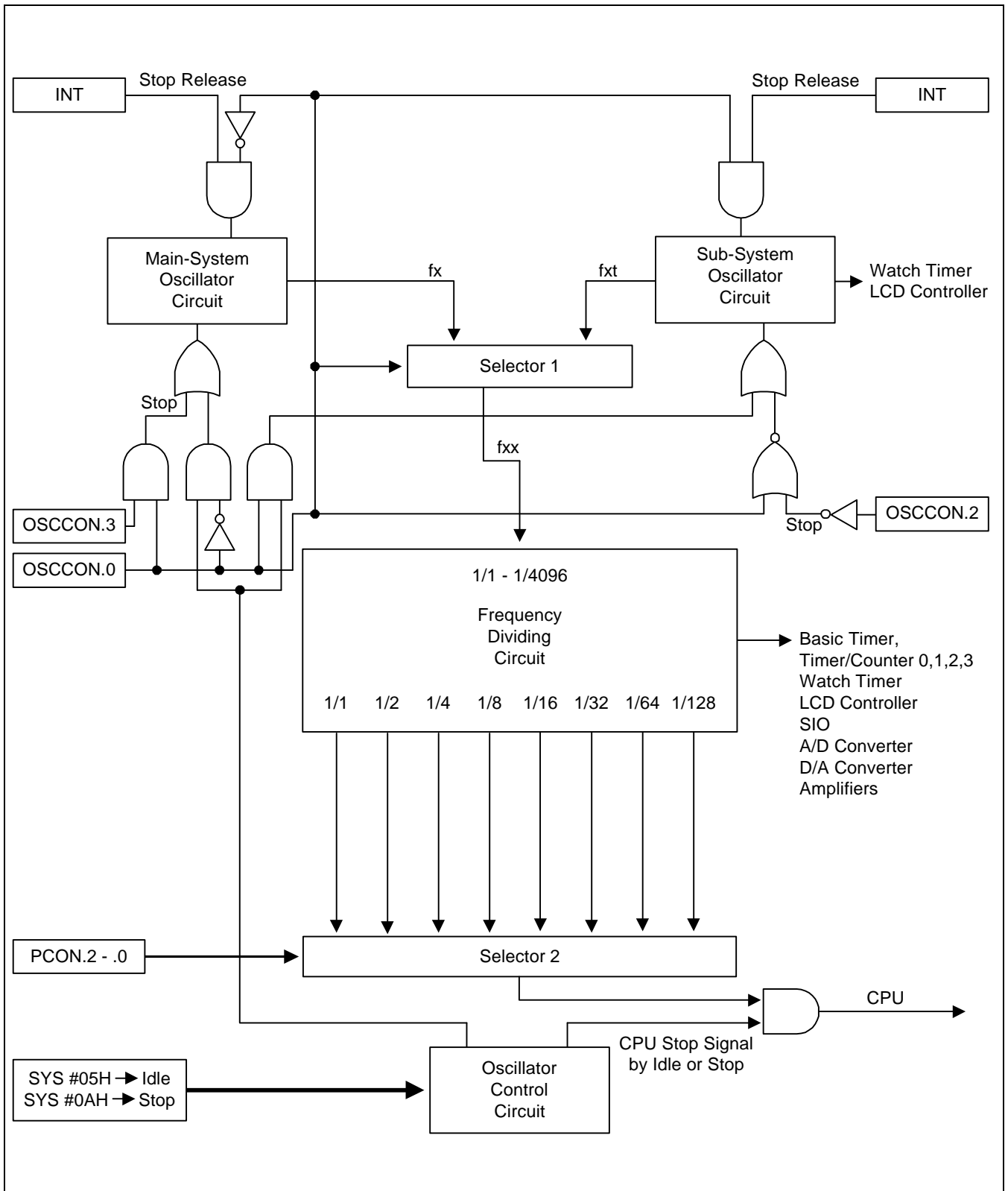
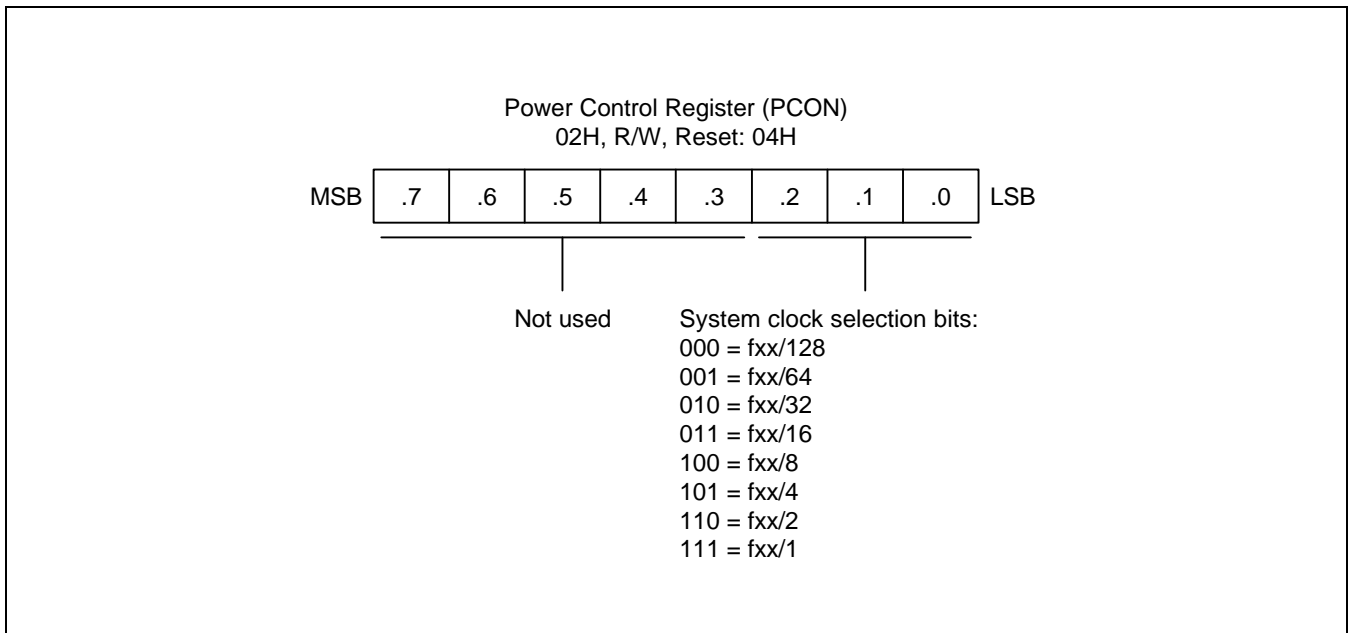
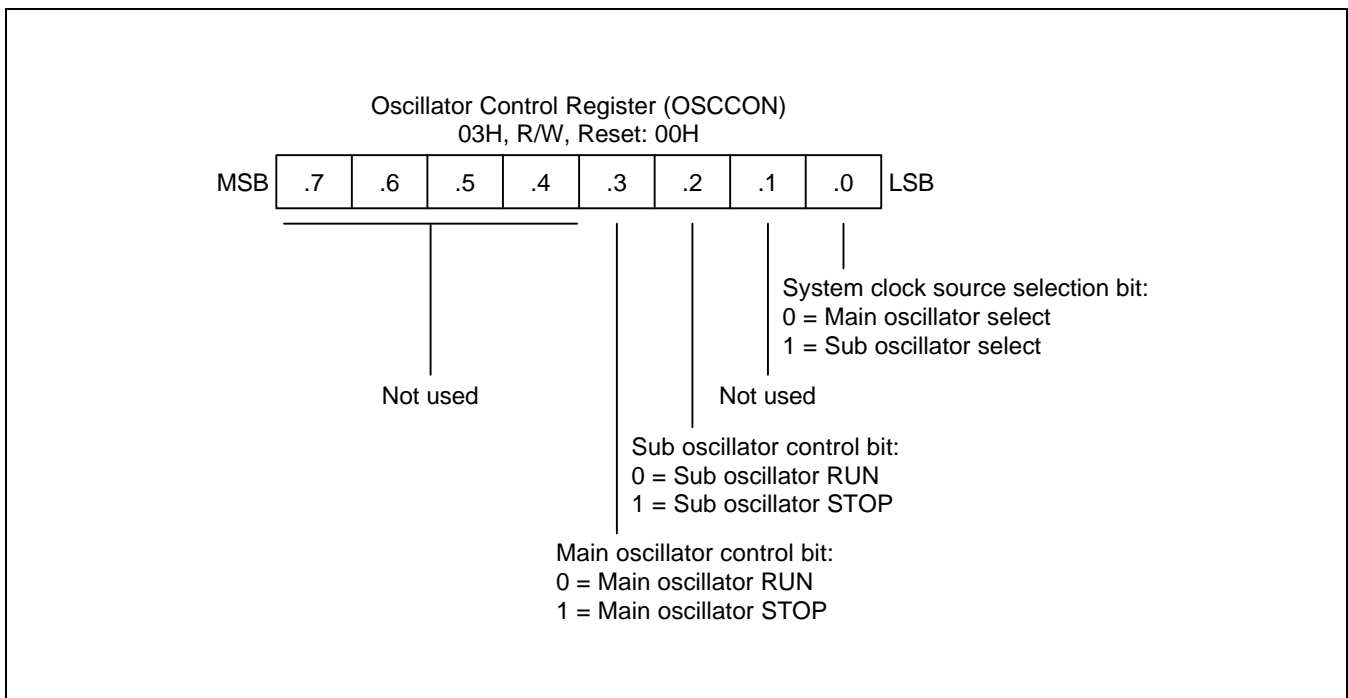


Figure 8-4. System Clock Circuit Diagram



**Figure 8-5. Power Control Register (PCON)**



**Figure 8-6. Oscillator Control Register (OSCCON)**

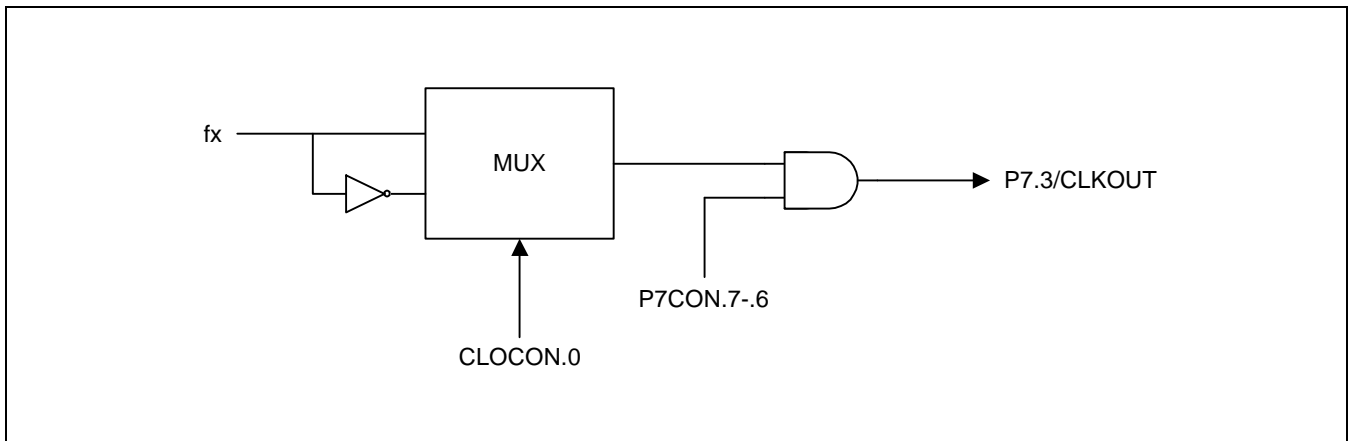


Figure 8-7. Main Oscillator Clock Output Functional Block Diagram

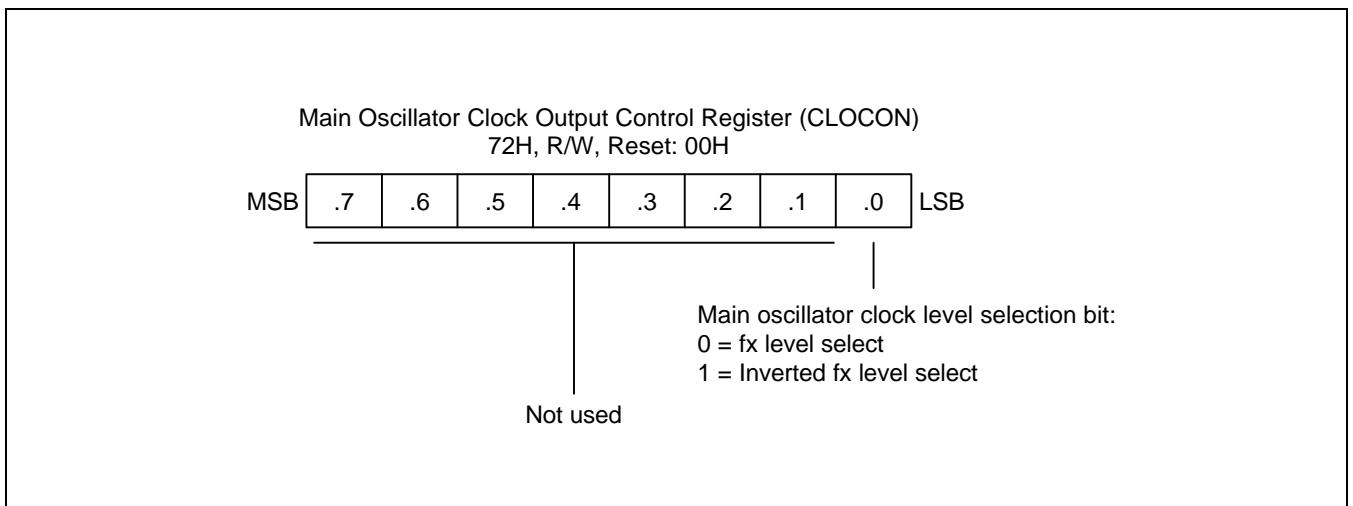


Figure 8-8. Main Oscillator Clock Output Control Register (CLOCON)

NOTES



# 9

## RESET AND POWER-DOWN

### OVERVIEW

During a power-on reset, the voltage at  $V_{DD}$  goes to High level and the RESET pin is forced to Low level. The RESET signal is input through a Schmitt trigger circuit where it is then synchronized with the CPU clock. This procedure brings MCU into a known operating status.

For the time for CPU clock oscillation to stabilize, the RESET pin must be held to low level for a minimum time interval after the power supply comes within tolerance. For the minimum time interval, see the electrical characteristics.

In summary, the following sequence of events occurs during a reset operation:

- All interrupts are disabled.
- The watchdog function (basic timer) is enabled.
- Ports are set to input mode.
- Peripheral control and data registers are disabled and reset to their default hardware values.
- The program counter (PC) is loaded with the program reset address in the ROM, 00000H.
- When the programmed oscillation stabilization time interval has elapsed, the instruction stored in ROM location 00000H is fetched and executed.

### NOTE

To program the duration of the oscillation stabilization interval, make the appropriate settings to the watchdog timer control register, WDTCN, before entering STOP mode.

## NOTES

# 10 I/O PORTS

## PORT 0

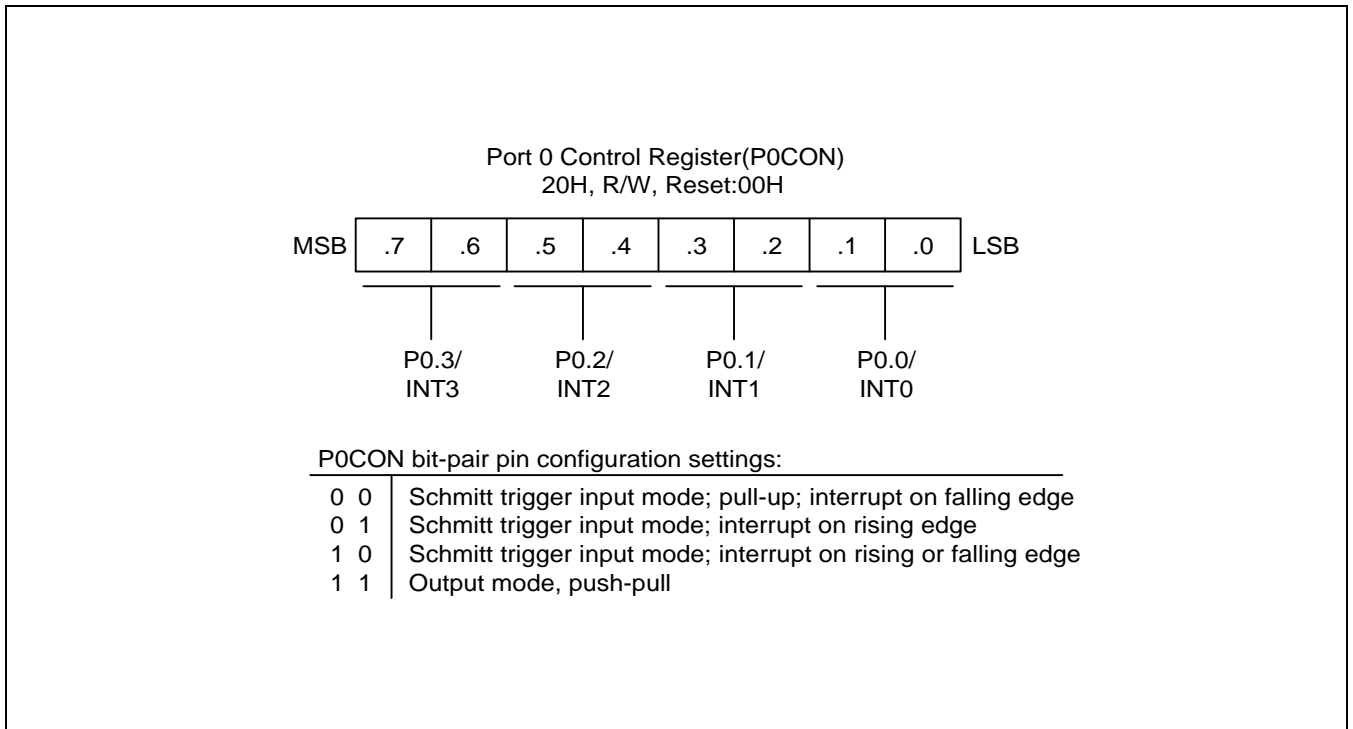


Figure 10-1. Port 0 Control Register (P0CON)

## PORT 1

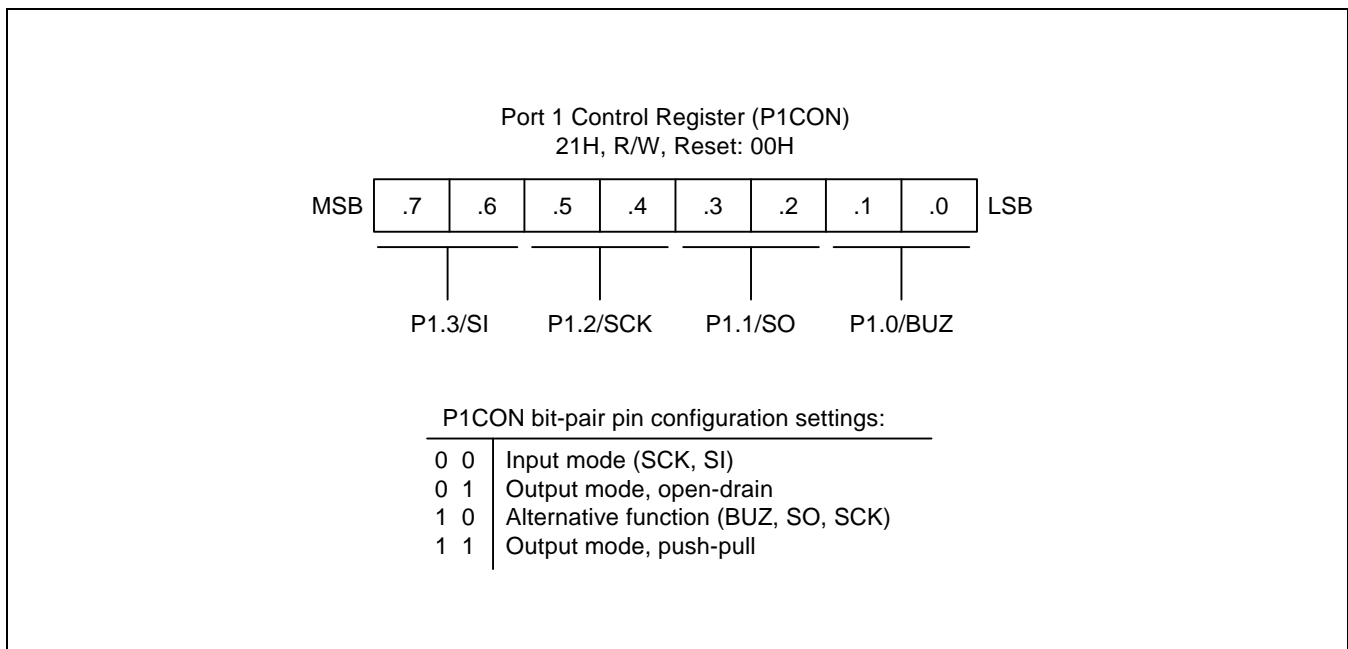


Figure 10-2. Port 1 Control Register (P1CON)

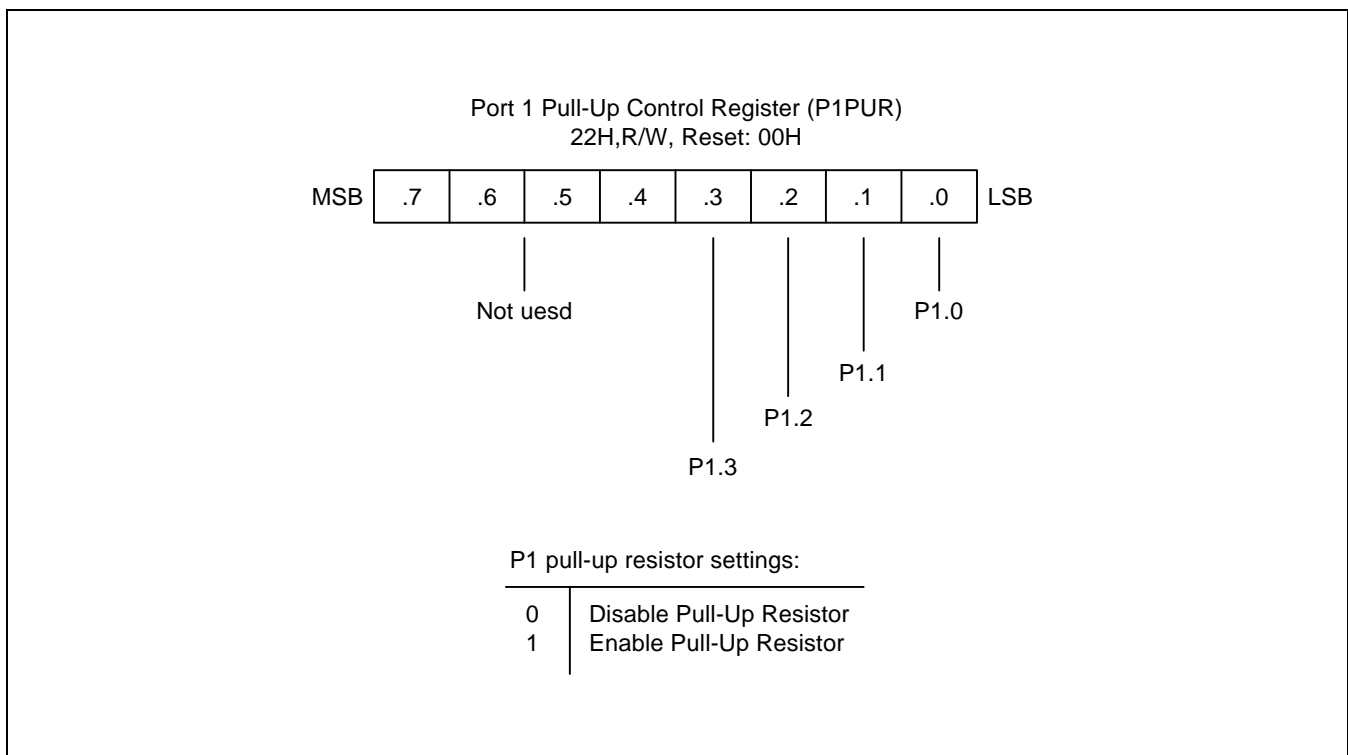


Figure 10-3. Port 1 Pull-Up Control Register (P1PUR)

## PORT 2

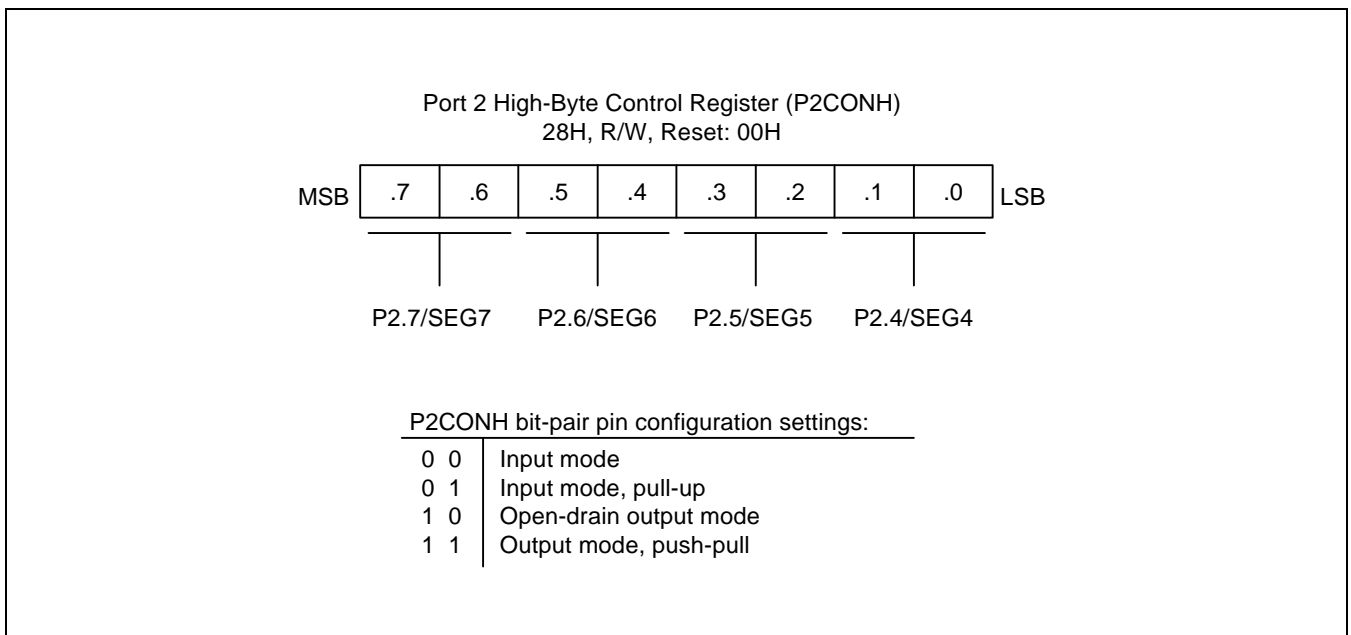


Figure 10-4. Port 2 High-Byte Control Register (P2CONH)

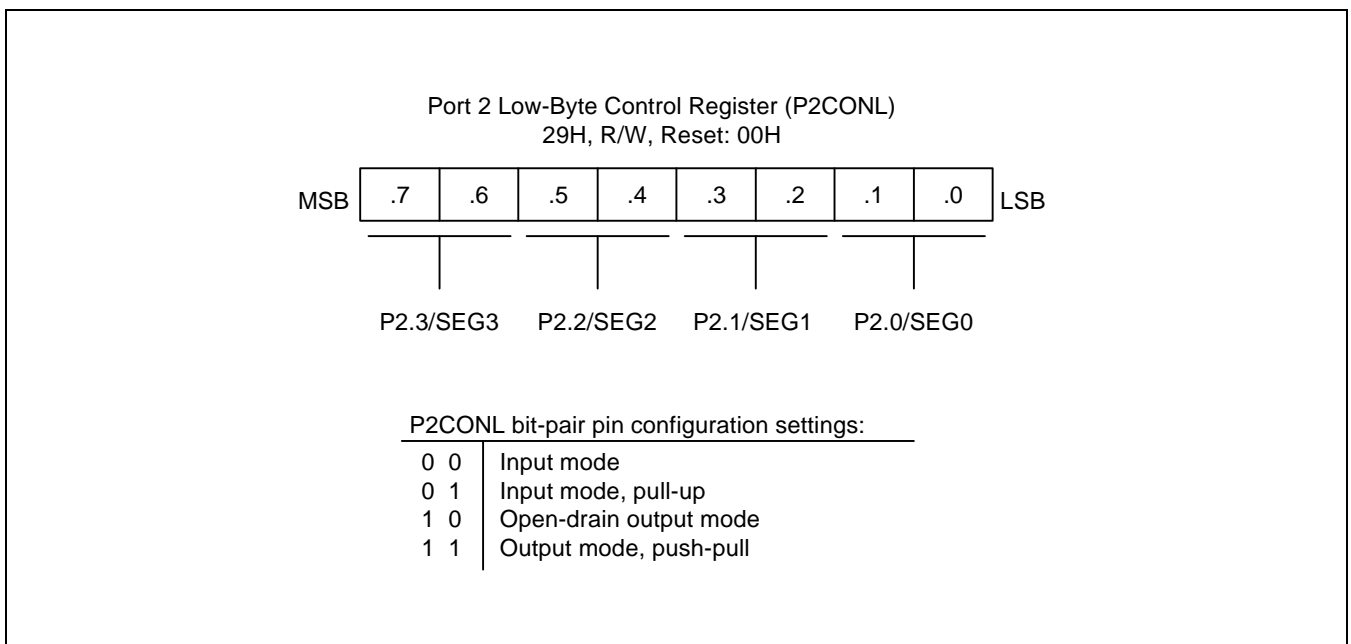


Figure 10-5. Port 2 Low-Byte Control Register (P2CONL)

## PORT 3

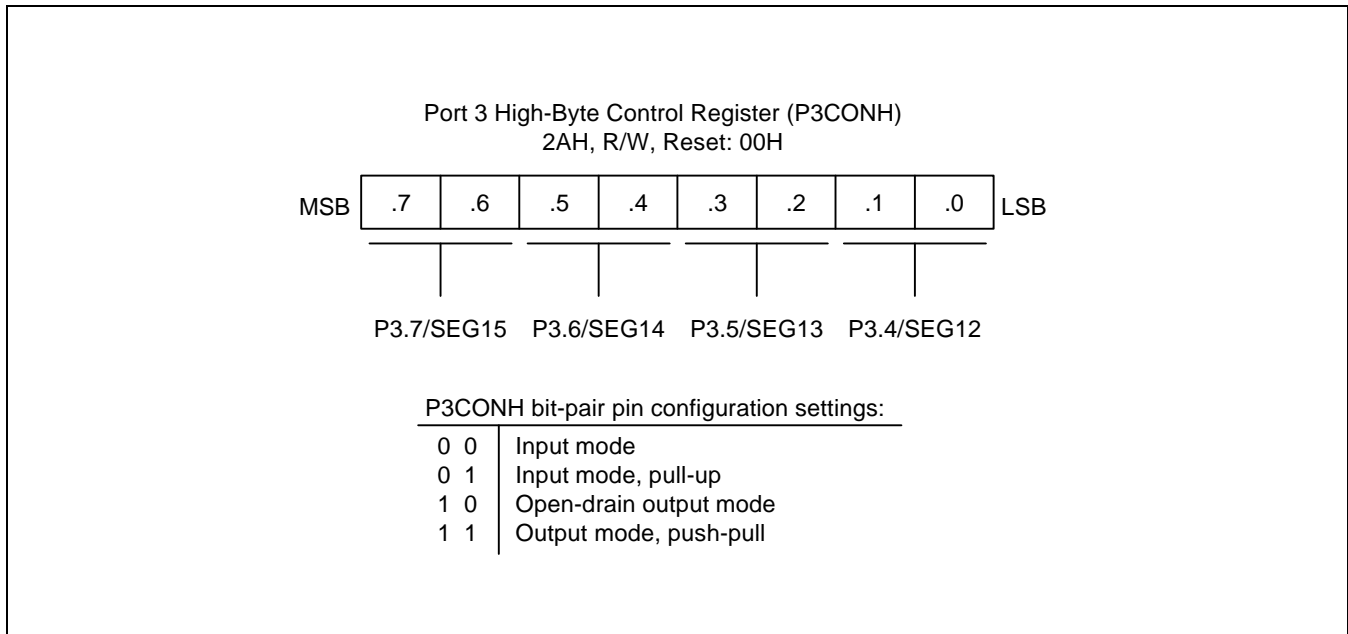


Figure 10-6. Port 3 High-Byte Control Register (P3CONH)

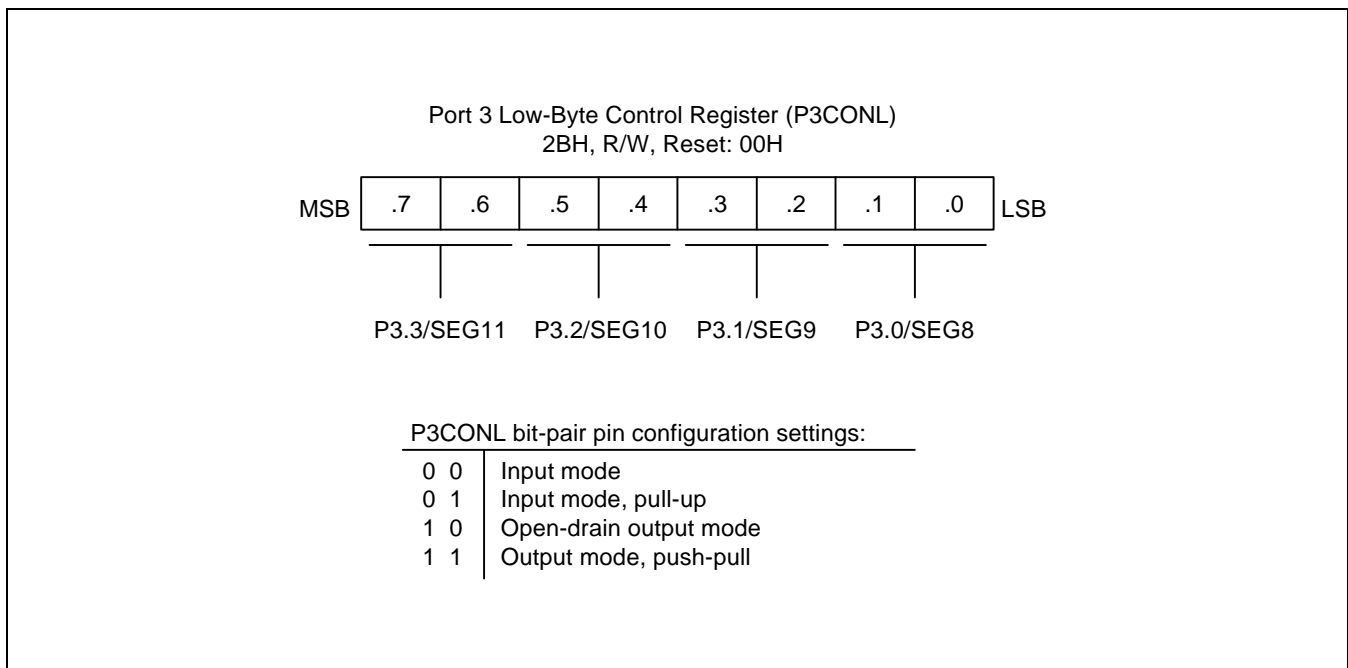


Figure 10-7. Port 3 Low-Byte Control Register (P3CONL)

## PORT 4

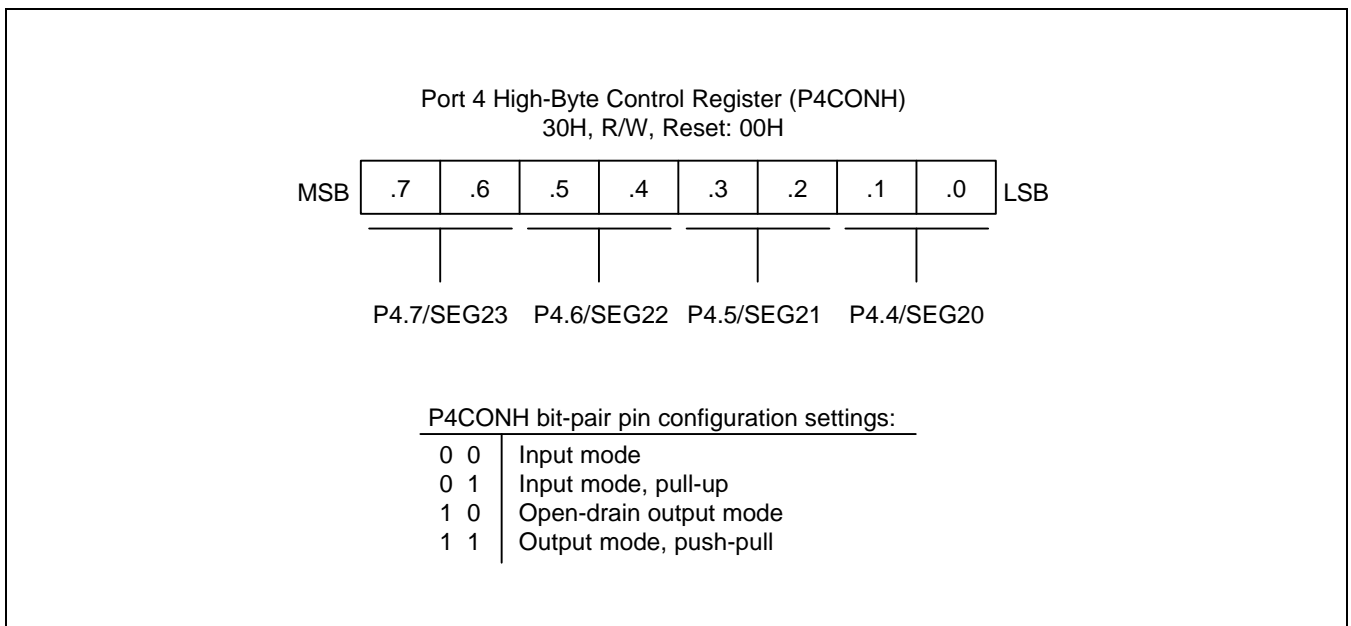


Figure 10-8. Port 4 High-Byte Control Register (P4CONH)

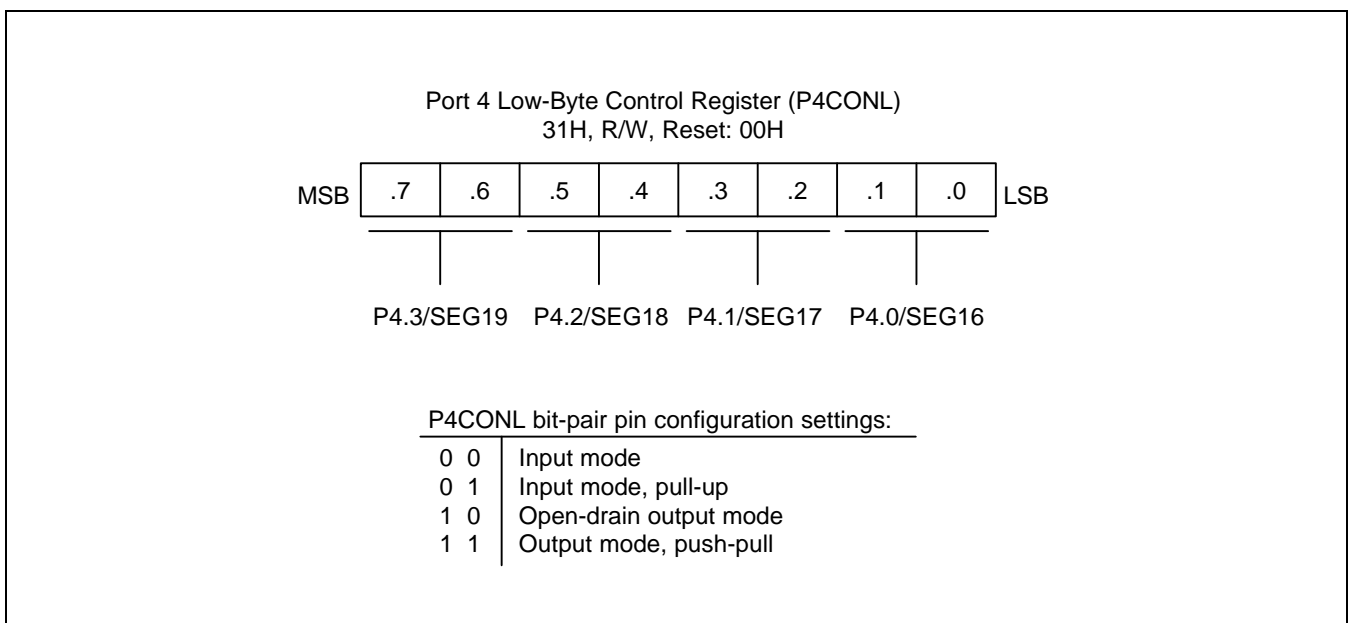


Figure 10-9. Port 4 Low-Byte Control Register (P4CONL)

## PORT 5

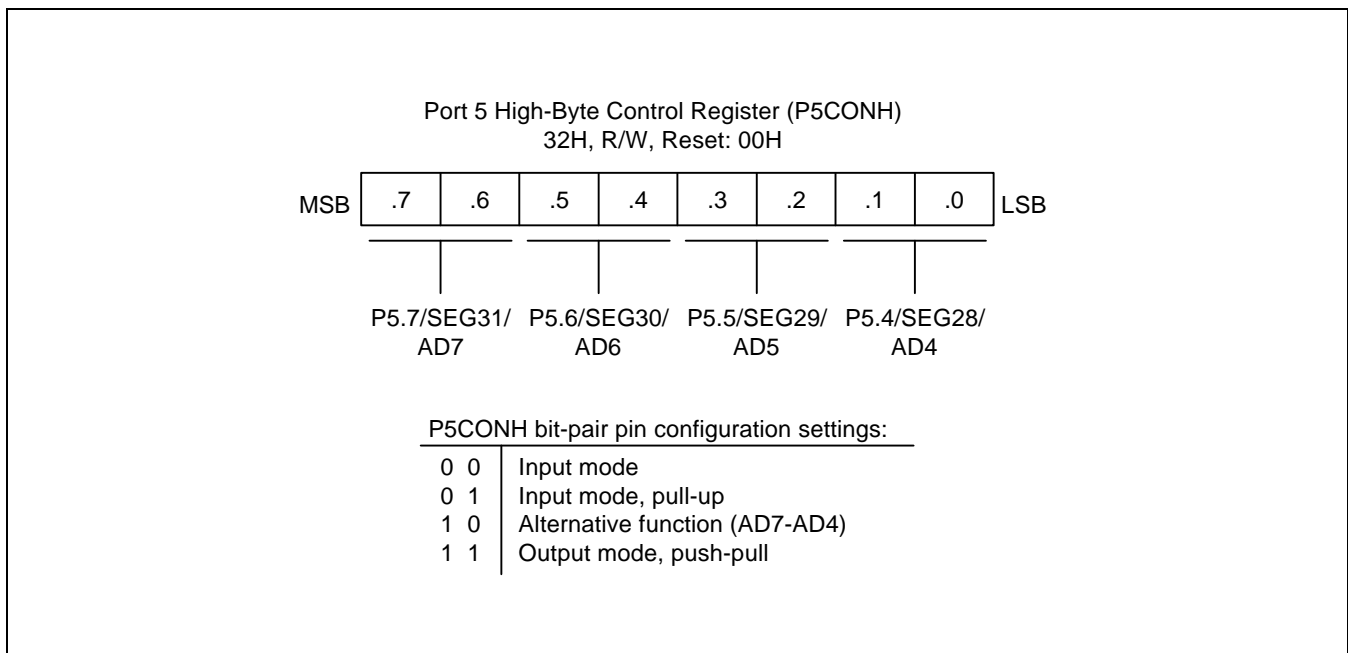


Figure 10-10. Port 5 High-Byte Control Register (P5CONH)

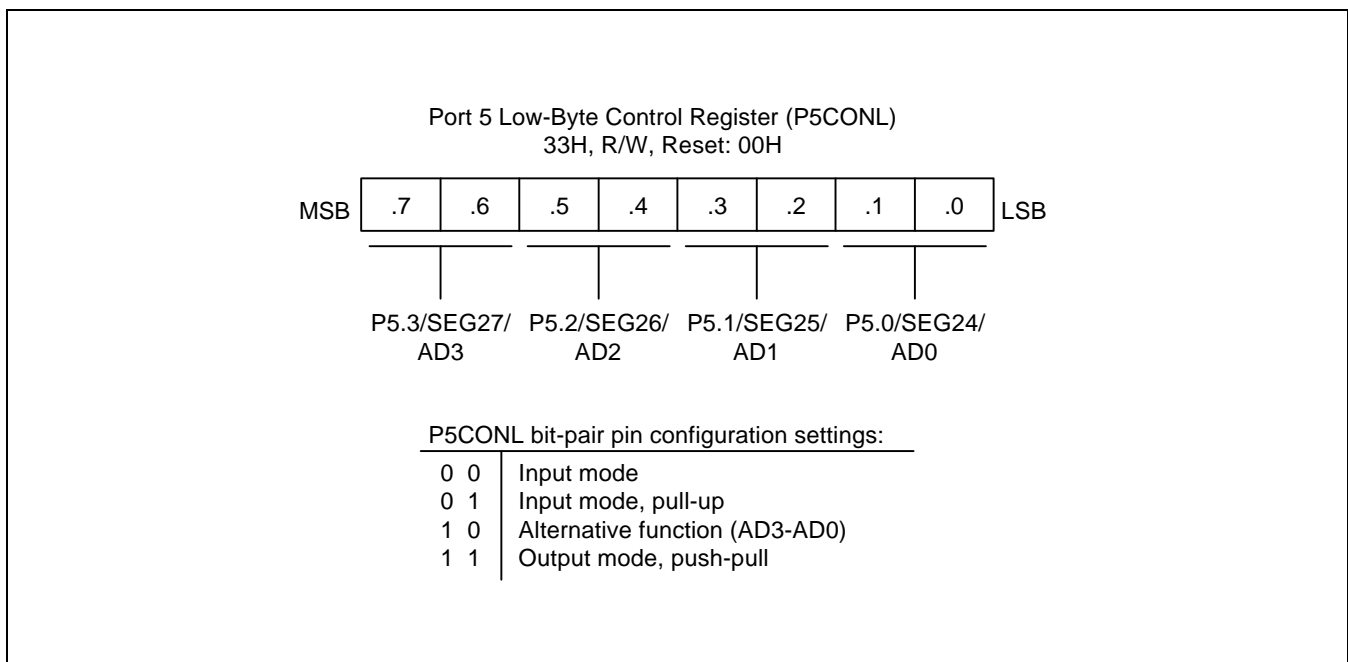


Figure 10-11. Port 5 Low-Byte Control Register (P5CONL)



## PORT 6

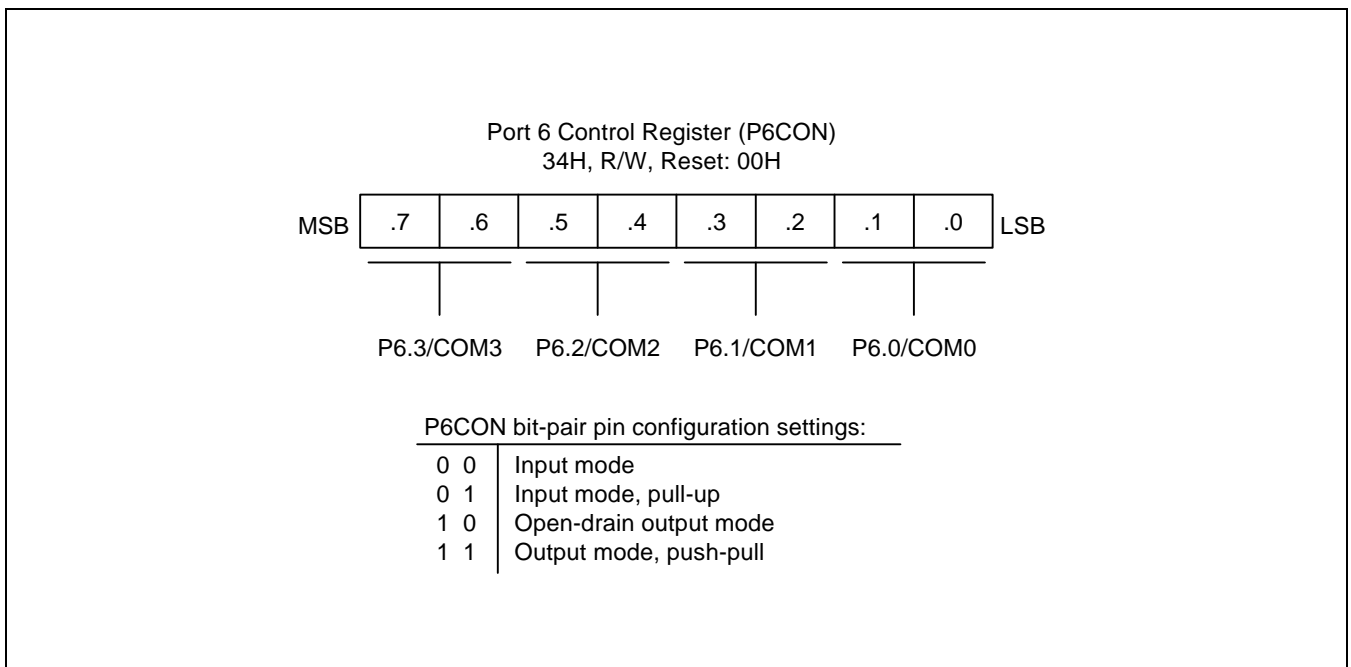


Figure 10-12. Port 6 Control Register (P6CON)

## PORT 7

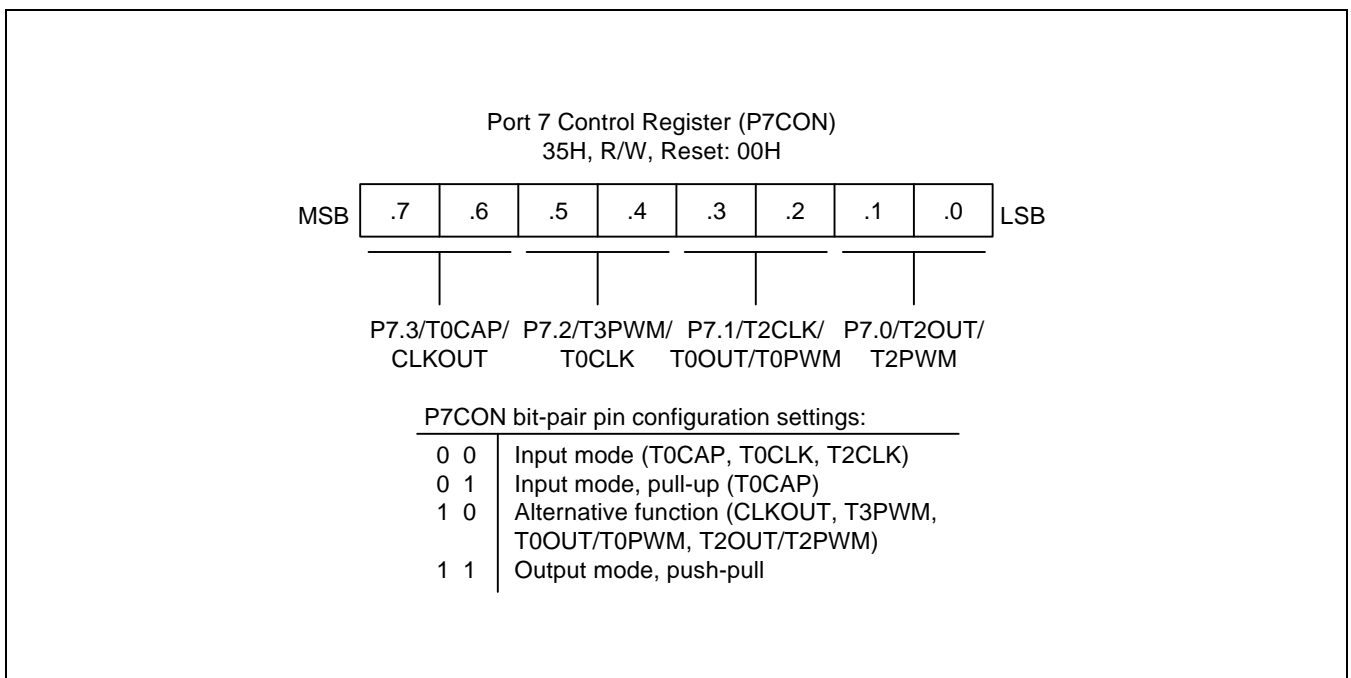


Figure 10-13. Port 7 Control Register (P7CON)

## NOTES

# 11

## BASIC TIMER/WATCHDOG TIMER

### OVERVIEW

WDTCON controls basic timer clock selection and watchdog timer clear bit.

Basic timer is used in two different ways:

- As a clock source to watchdog timer to provide an automatic reset mechanism in the event of a system malfunction (When watchdog function is enabled in ROM code option)
- To signal the end of the required oscillation stabilization interval after a reset or stop mode release.

The reset value of basic timer clock selection bits is decided by the ROM code option. (see the section on ROM code option for details). After reset, programmer can select the basic timer input clock using WDTCON.

When watchdog function is enabled by the ROM code option, programmer must set WDTCON.0 periodically within every  $2048 \times$  basic timer input clock time to prevent system reset.

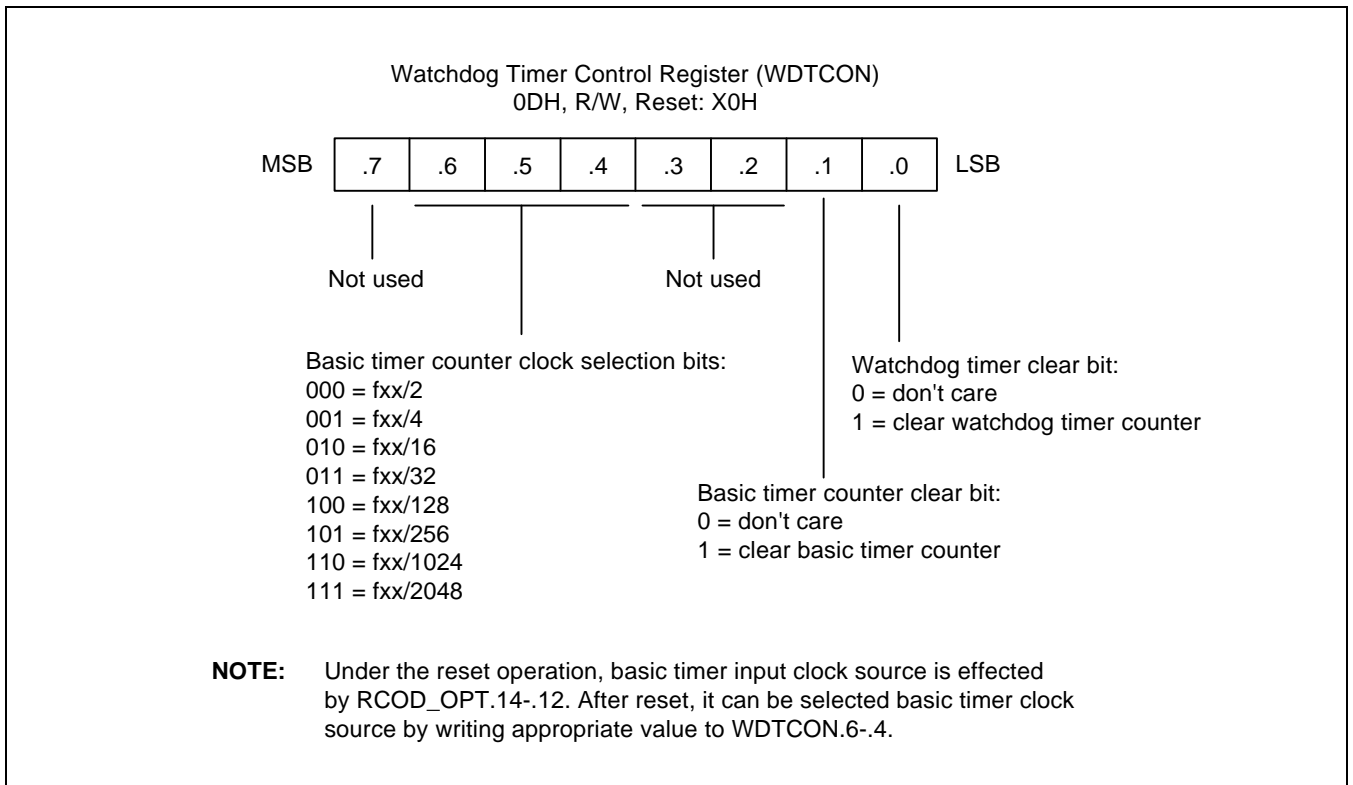


Figure 11-1. Watchdog Timer Control Register (WDTCON)

BLOCK DIAGRAM

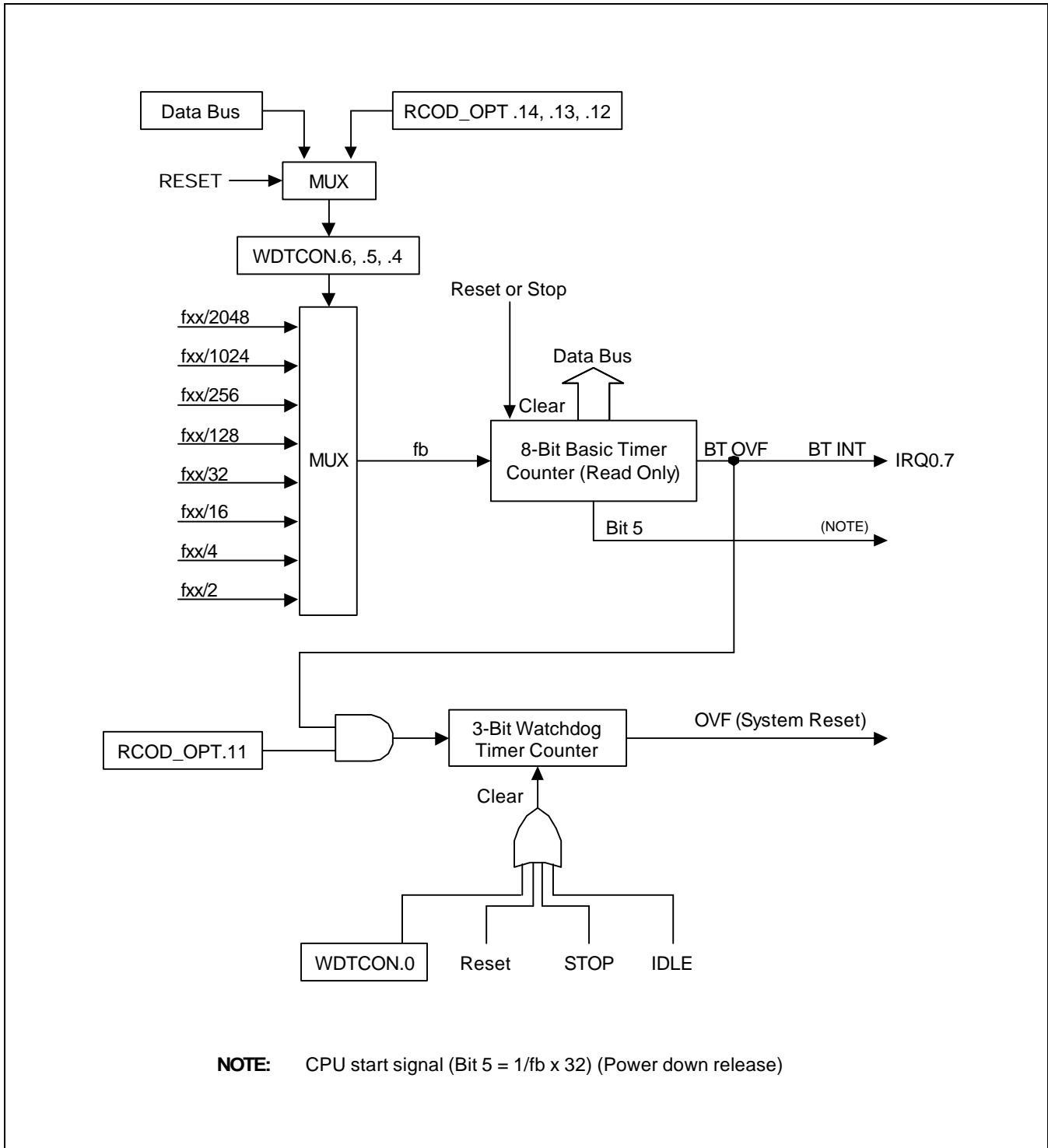


Figure 11-2. Basic Timer & Watchdog Timer Functional Block Diagram

# 12 WATCH TIMER

## OVERVIEW

The source of watch timer is  $fx/128$  (main osc.) or  $fxt$  (sub osc.). The interval of watch timer interrupt can be selected by WTCN.3-2.

**Table 12-1. Watch Timer Control Register (WTCN): 8-Bit R/W**

Bit Name	Values		Function	Address
WTCN.7 - .6	–		Not used.	70H
WTCN.5-.4	0	0	0.5 kHz buzzer (BUZ) signal output	
	0	1	1 kHz buzzer (BUZ) signal output	
	1	0	2 kHz buzzer (BUZ) signal output	
	1	1	4 kHz buzzer (BUZ) signal output	
WTCN.3 - .2	0	0	Set watch timer interrupt to 1 sec.	
	0	1	Set watch timer interrupt to 0.5 sec.	
	1	0	Set watch timer interrupt to 0.25 sec.	
	1	1	Set watch timer interrupt to 3.91 msec.	
WTCN.1	0		Select $fx/128$ as the watch timer clock.	
	1		Select $fxt$ (sub osc) as the watch timer clock.	
WTCN.0	0		Disable watch timer: clear frequency dividing circuits.	
	1		Enable watch timer.	

### NOTES:

1. The main clock frequency ( $fx$ ) is assumed to be 4.19 MHz.
2. The watch timer clock frequency ( $fw$ ) is assumed to be 32.768 kHz.

## WATCH TIMER CIRCUIT DIAGRAM

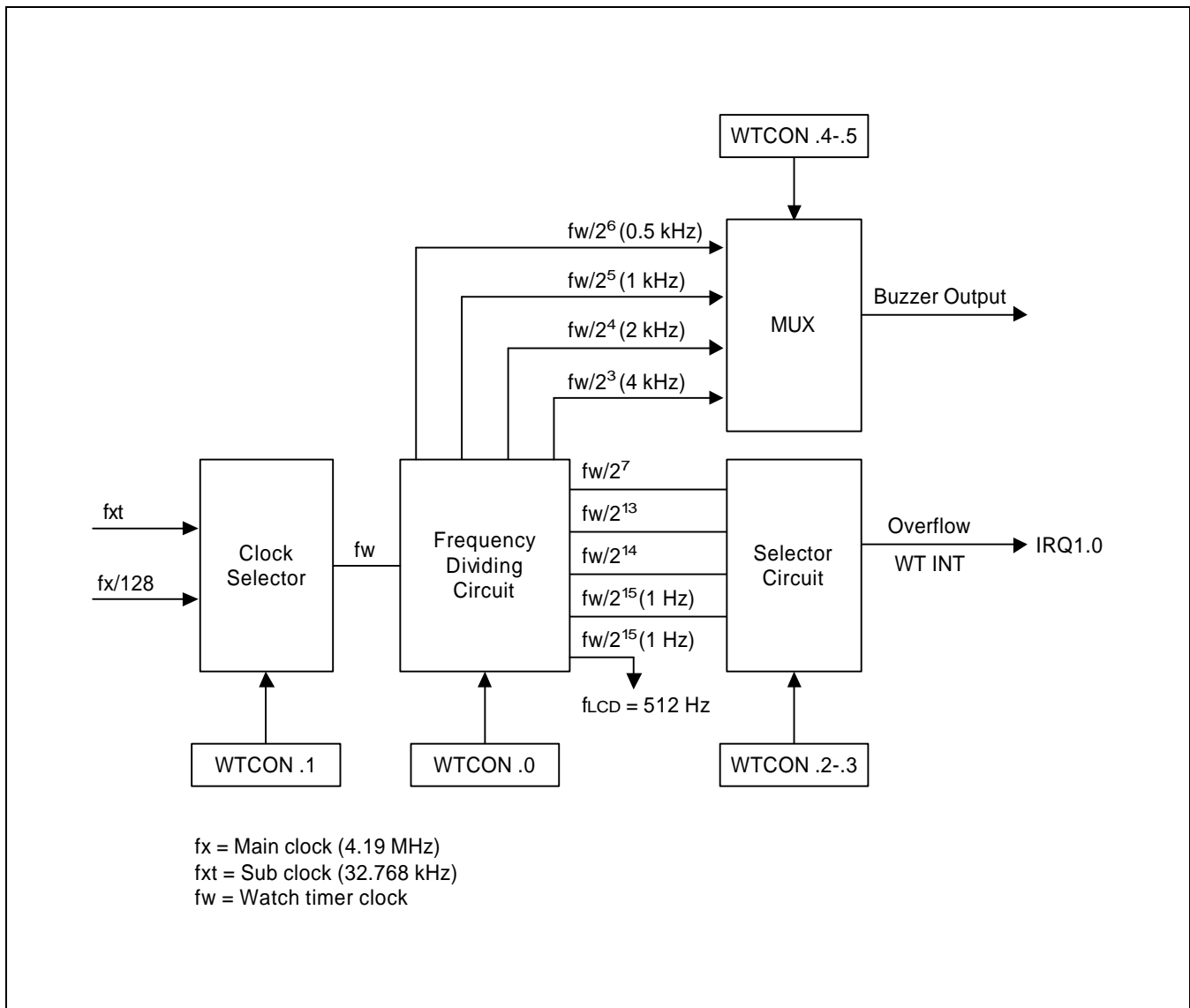


Figure 12-1. Watch Timer Circuit Diagram

# 13

## 16-BIT TIMER 0

### OVERVIEW

The 16-bit timer 0 is an 16-bit general-purpose timer/counter. Timer 0 has three operating modes, one of which you select using the appropriate T0CON setting:

- Interval timer mode (Toggle output at T0OUT pin)
- Capture input mode with a rising or falling edge trigger at the T0CAP pin
- PWM mode (T0PWM)

Timer 0 has the following functional components:

- Clock frequency divider (fx divided by 1024, 256, 64, 8 or 1) with multiplexer
- External clock input pin (T0CLK)
- 16-bit counter (T0CNTH/L), 16-bit comparator, and 16-bit reference data register (T0DATAH/L)
- I/O pins for capture input (T0CAP), or PWM or match output (T0PWM, T0OUT)
- Timer 0 overflow interrupt (IRQ0.1) and match/capture interrupt (IRQ0.0) generation
- Timer 0 control register, T0CON (40H, read/write)

## FUNCTION DESCRIPTION

### Timer 0 Interrupts (IRQ0.0, IRQ0.1)

The timer 0 module can generate two interrupts, the timer 0 overflow interrupt (T0OVF), and the timer 0 match/capture interrupt (T0INT). T0OVF is interrupt level IRQ0.1. T0INT belongs to interrupt level IRQ0.0.

### Interval Timer Function

In interval timer mode, a match signal is generated and T0OUT is toggled when the counter value is identical to the value written to the T0 reference data register, T0DATAH/L. The match signal generates a timer 0 match interrupt (T0INT) and clears the counter.

If, for example, you write the value 0010H to T0DATAH/L and 04H to T0CON, the counter will increment until it reaches 0010H. At this point, the T0 interrupt request is generated, the counter value is reset, and counting resumes.

### Pulse Width Modulation Mode

Pulse width modulation (PWM) mode lets you program the width (duration) of the pulse that is output at the TOPWM pin. As in interval timer mode, a match signal is generated when the counter value is identical to the value written to the timer 0 data register. In PWM mode, however, the match signal does not clear the counter but can generate a match interrupt. The counter runs continuously, overflowing at FFFFH, and then repeat the incrementing from 0000H. Whenever an overflow is occurred, an overflow (OVF) interrupt can be generated.

Although you can use the match or the overflow interrupt in PWM mode, interrupts are not typically used in PWM-type applications. Instead, the pulse at the TOPWM pin is held to Low level as long as the reference data value is less than or equal to ( $\leq$ ) the counter value and then pulse is held to High level for as long as the data value is greater than ( $>$ ) the counter value. One pulse width is equal to  $t_{CLK}$ .

### Capture Mode

In capture mode, a signal edge that is detected at the T0CAP pin opens a gate and loads the current counter value into the T0 data register. You can select rising or falling edges to trigger this operation.

Timer 0 also gives you capture input source, the signal edge at the T0CAP pin. You select the capture input by setting the value of the timer 0 capture input selection bit in the port 7 control register, P7CON, (35H). When P7CON.7-6 is 00, the T0CAP input or normal input is selected. When P7CON.7-6 is set to 11, normal output is selected.

Both kinds of timer 0 interrupts can be used in capture mode, the timer 0 overflow interrupt is generated whenever a counter overflow occurs, the timer 0 match/capture interrupt is generated whenever the counter value is loaded into the T0 data register.

By reading the captured data value in T0DATAH/L, and assuming a specific value for the timer 0 clock frequency, you can calculate the pulse width (duration) of the signal that is being input at the T0CAP pin.



### TIMER 0 CONTROL REGISTER (T0CON)

You use the timer 0 control register, T0CON, to

- Select the timer 0 operating mode (interval timer, capture mode, or PWM mode)
- Select the timer 0 input clock frequency
- Clear the timer 0 counter, T0CNTNTH/L

T0CON is located at address 40H, and is read/written addressable.

A reset clears T0CON to '00H'. This sets timer 0 to normal interval timer mode, and selects an input clock frequency of  $f_{xx}/1024$ . To disable the counter operation, please set T0CON.7-.5 to 111B. You can clear the timer 0 counter at any time during normal operation by writing a "1" to T0CON.2.

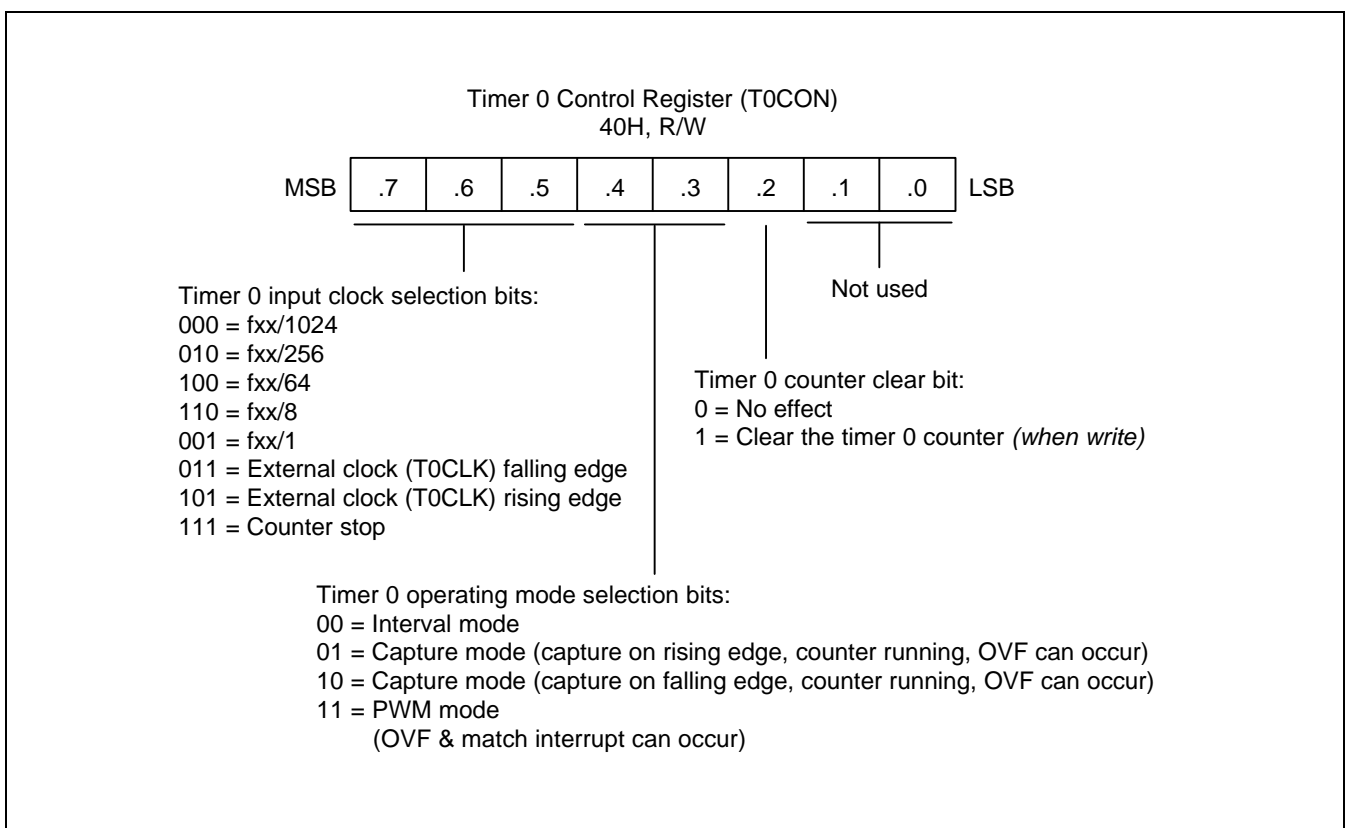


Figure 13-1. Timer 0 Control Register (T0CON)

BLOCK DIAGRAM

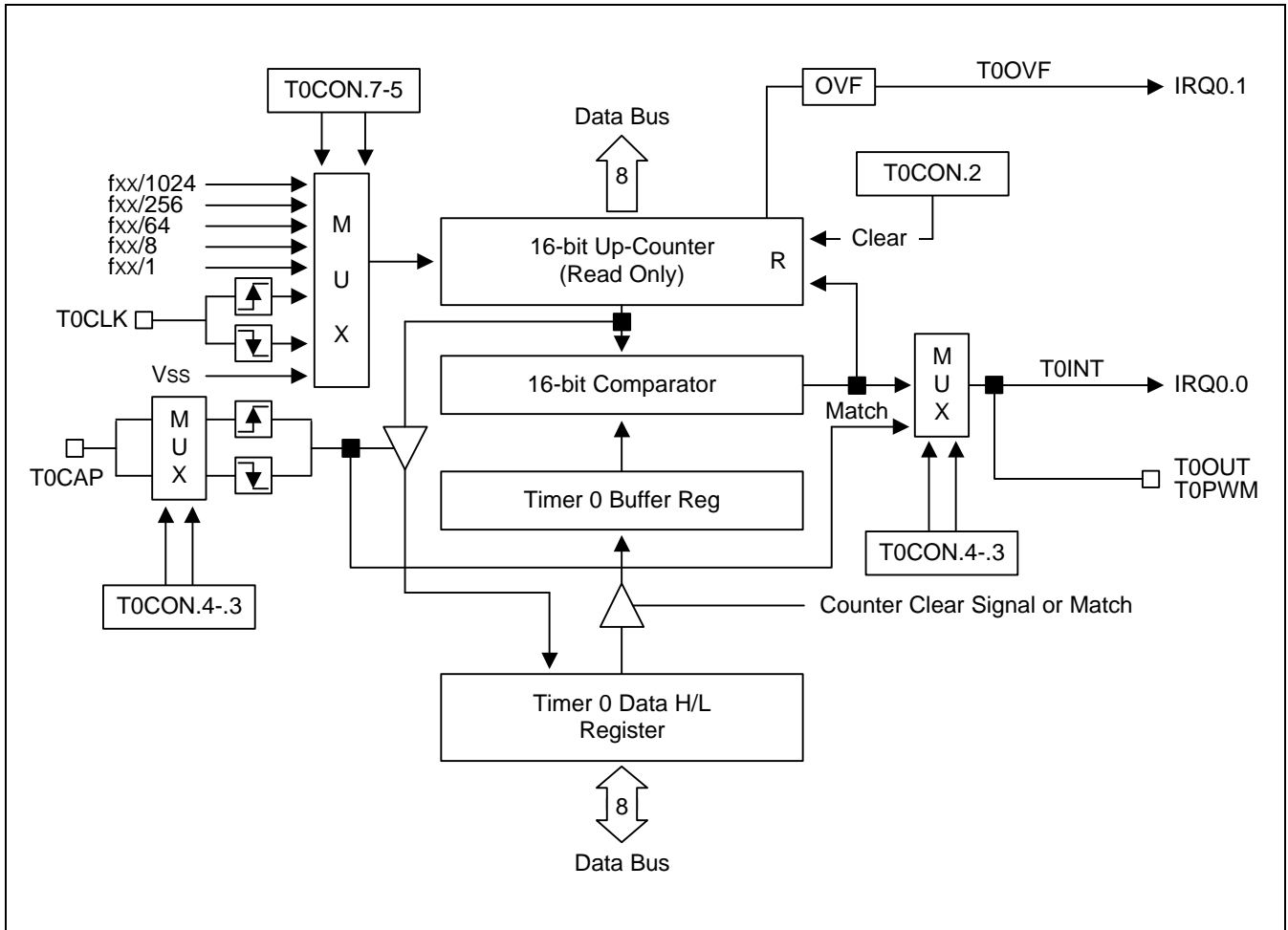
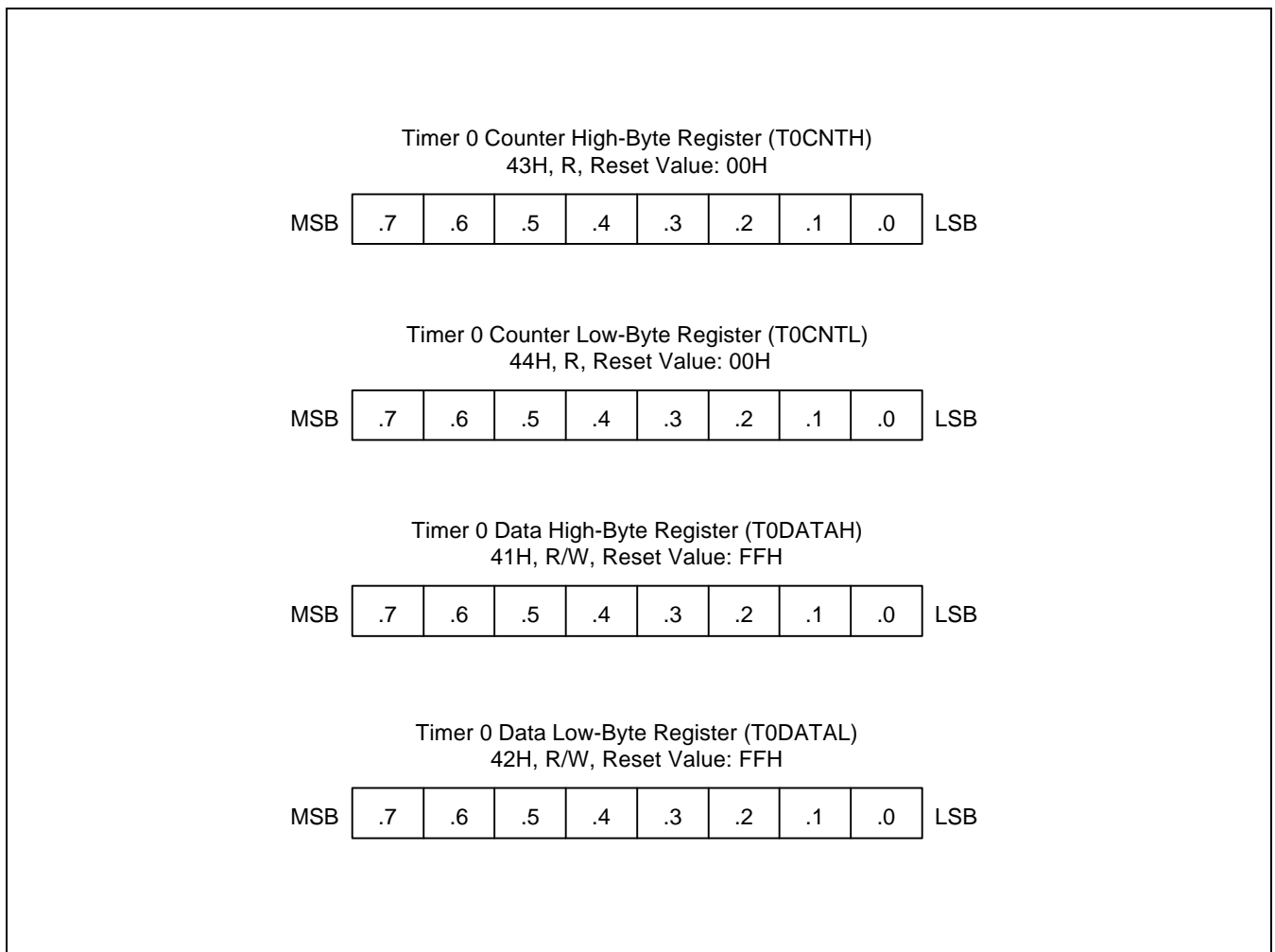


Figure 13-2. Timer 0 Functional Block Diagram



**Figure 13-3. Timer 0 Counter and Data Registers (T0CNTH/L, T0DATAH/L)**

## NOTES

# 14

## 16-BIT TIMER 1

### OVERVIEW

The 16-bit timer 1 is an 16-bit general-purpose timer. Timer 1 has the interval timer mode by using the appropriate T1CON setting.

Timer 1 has the following functional components:

- Clock frequency divider (fx divided by 256, 64, 8 or 1) with multiplexer
- T3OF (from timer 3) is one of the clock frequencies.
- 16-bit counter (T1CNTH/L), 16-bit comparator, and 16-bit reference data register (T1DATAH/L)
- Timer 1 interrupt (IRQ0.2) generation
- Timer 1 control register, T1CON (48H, read/write)

### FUNCTION DESCRIPTION

#### Interval Timer Function

The timer 1 module can generate an interrupt, the timer 1 match interrupt (T1INT). T1INT belongs to interrupt level IRQ0.2.

In interval timer mode, a match signal is generated when the counter value is identical to the values written to the T1 reference data registers, T1DATAH/L. The match signal generates a timer 1 match interrupt (T1INT) and clears the counter.

If, for example, you write the value 0010H to T1DATAH/L and 0CH to T1CON, the counter will increment until it reaches 10H. At this point, the T1 interrupt request is generated, the counter value is reset, and counting resumes.

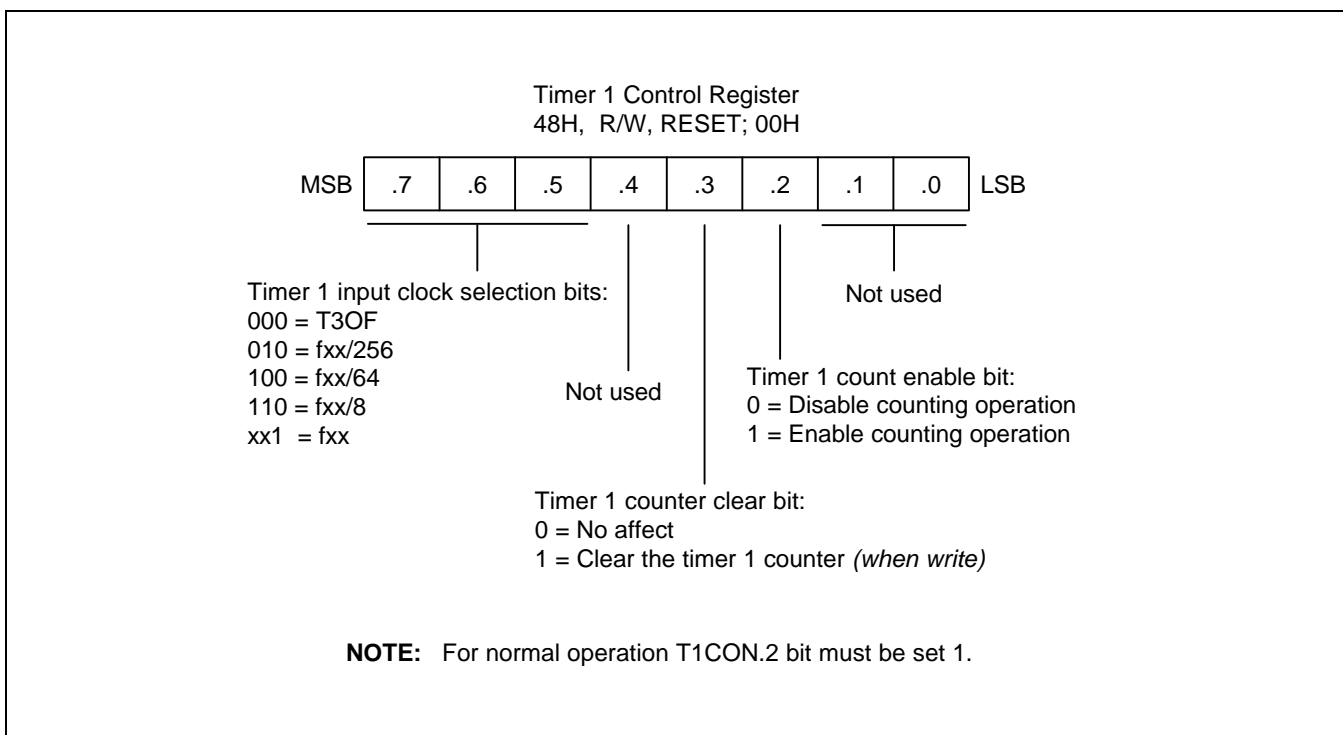
### TIMER 1 CONTROL REGISTER (T1CON)

You use the timer 1 control register, T1CON, to

- Enable the timer 1 operating (interval timer)
- Select the timer 1 input clock frequency
- Clear the timer 1 counter, T1CNT

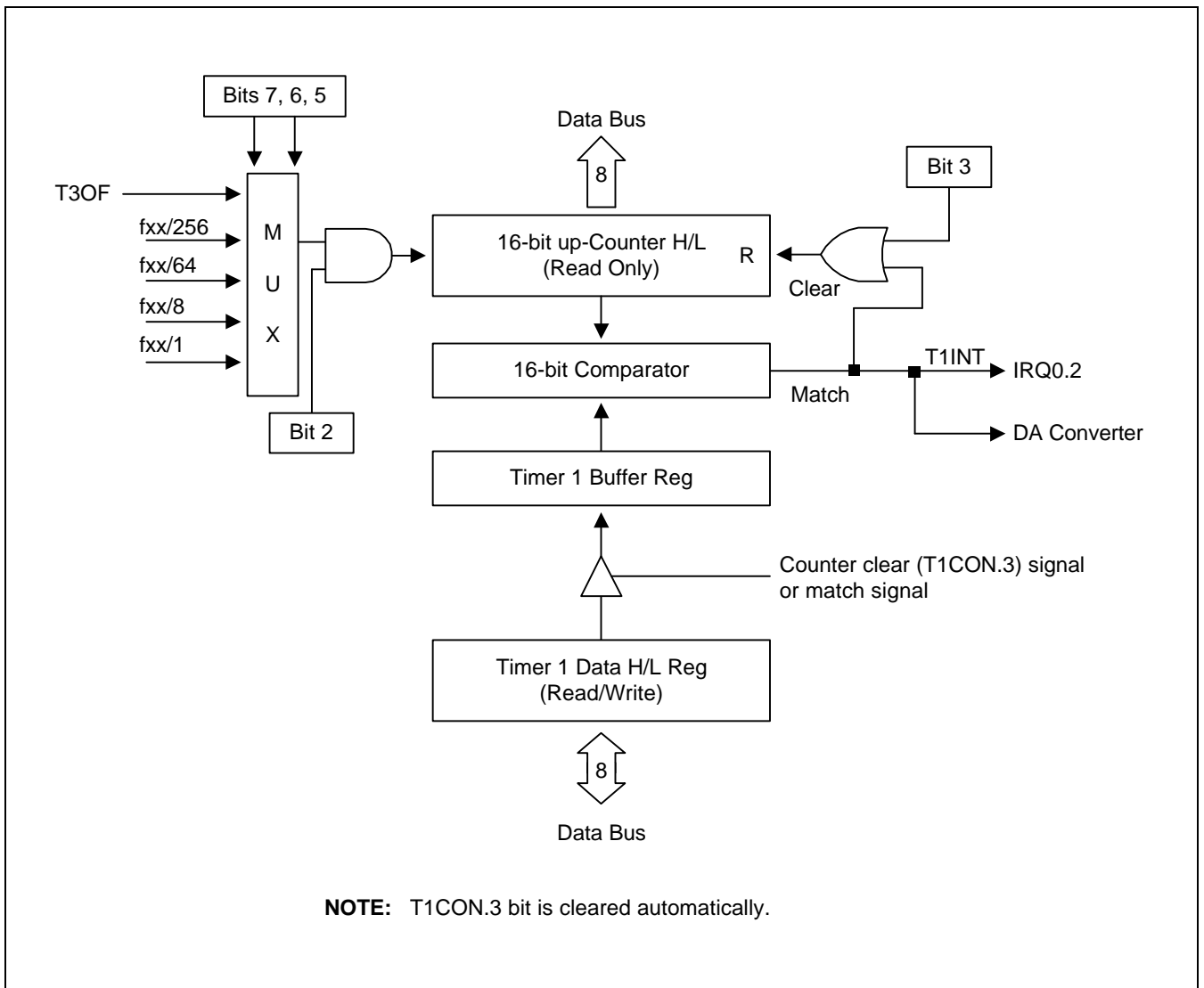
T1CON is located, at address 48H, and is read/written addressable.

A reset clears T1CON to "00H". This sets timer 1 to disable interval timer mode, selects the T3OF. You can clear the timer 1 counter at any time during normal operation by writing a "1" to T1CON.3

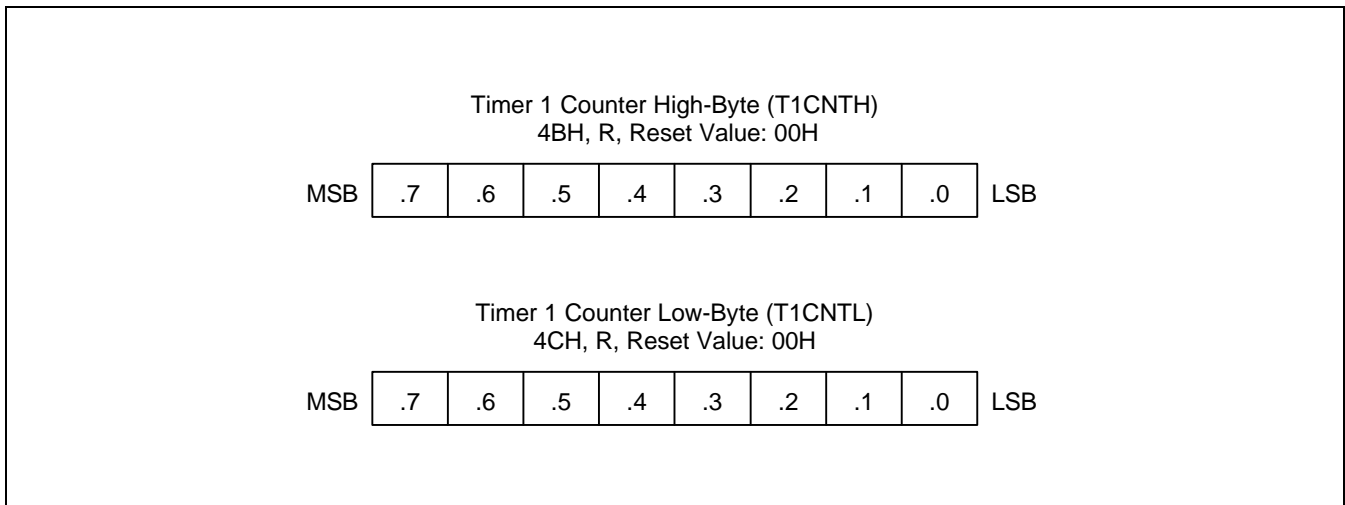


**Figure 14-1. Timer 1 Control Register (T1CON)**

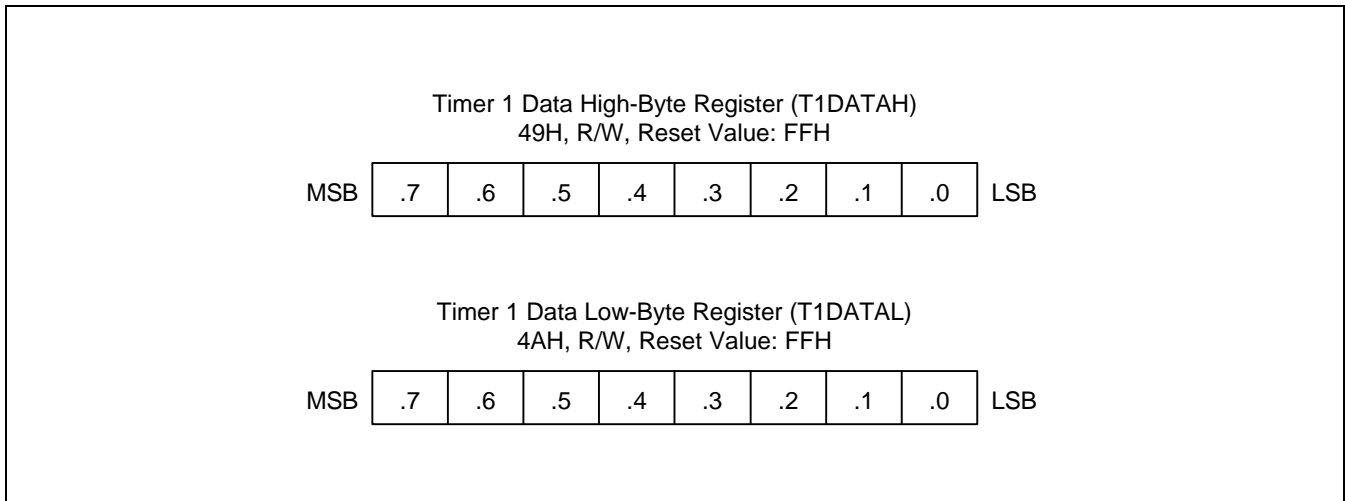
**BLOCK DIAGRAM**



**Figure 14-2. Timer 1 Functional Block Diagram**



**Figure 14-3. Timer 1 Counter Register (T1CNTH/L)**



**Figure 14-4. Timer 1 Data Register (T1DATAH/L)**



# 15

## 8-BIT TIMER 2

### OVERVIEW

The 8-bit timer 2 is an 8-bit general-purpose timer/counter. Timer 2 has two operating modes, one of which you select using the appropriate T2CON setting:

- Interval timer mode (Toggle output at T2OUT pin)
- PWM mode (T2PWM)

Timer 2 has the following functional components:

- Clock frequency divider (f<sub>clk</sub> divided by 1024, 256, or 64 ) with multiplexer
- External clock input pin (T2CLK)
- 8-bit counter (T2CNT), 8-bit comparator, and 8-bit reference data register (T2DATA)
- I/O pin for PWM/Match output (T2PWM, T2OUT)
- Timer 2 overflow interrupt (IRQ0.4) and match interrupt (IRQ0.3) generation
- Timer 2 control register, T2CON (50H, read/write)

## FUNCTION DESCRIPTION

### Timer 2 Interrupts (IRQ0.3 and IRQ0.4)

The timer 2 module can generate two interrupts: the timer 2 overflow interrupt (T2OVF), and the timer 2 match interrupt (T2INT). T2OVF is interrupt level IRQ0.4. T2INT also belongs to interrupt level IRQ0.3.

### Interval Timer Function

In interval timer mode, a match signal is generated and T2OUT is toggled when the counter value is identical to the value written to the T2 reference data register, T2DATA. The match signal generates a timer 2 match interrupt (T2INT) and clears the counter.

If, for example, you write the value 10H to T2DATA and 0CH to T2CON, the counter will increment until it reaches 10H. At this point, the T2 interrupt request is generated, the counter value is reset, and counting resumes.

### Pulse Width Modulation Mode

Pulse width modulation (PWM) mode lets you program the width (duration) of the pulse that is output at the T2PWM pin. As in interval timer mode, a match signal is generated when the counter value is identical to the value written to the timer 2 data register. In PWM mode, however, the match signal does not clear the counter. Instead, it runs continuously, overflowing at FFH, and then continues incrementing from 00H.

Although timer 2 overflow interrupt is occurred, this interrupt is not typically used in PWM-type applications. Instead, the pulse at the T2PWM pin is held to Low level as long as the reference data value is less than or equal to ( $\leq$ ) the counter value and then the pulse is held to High level for as long as the data value is greater than ( $>$ ) the counter value. One pulse width is equal to  $t_{CLK} \cdot 256$ .

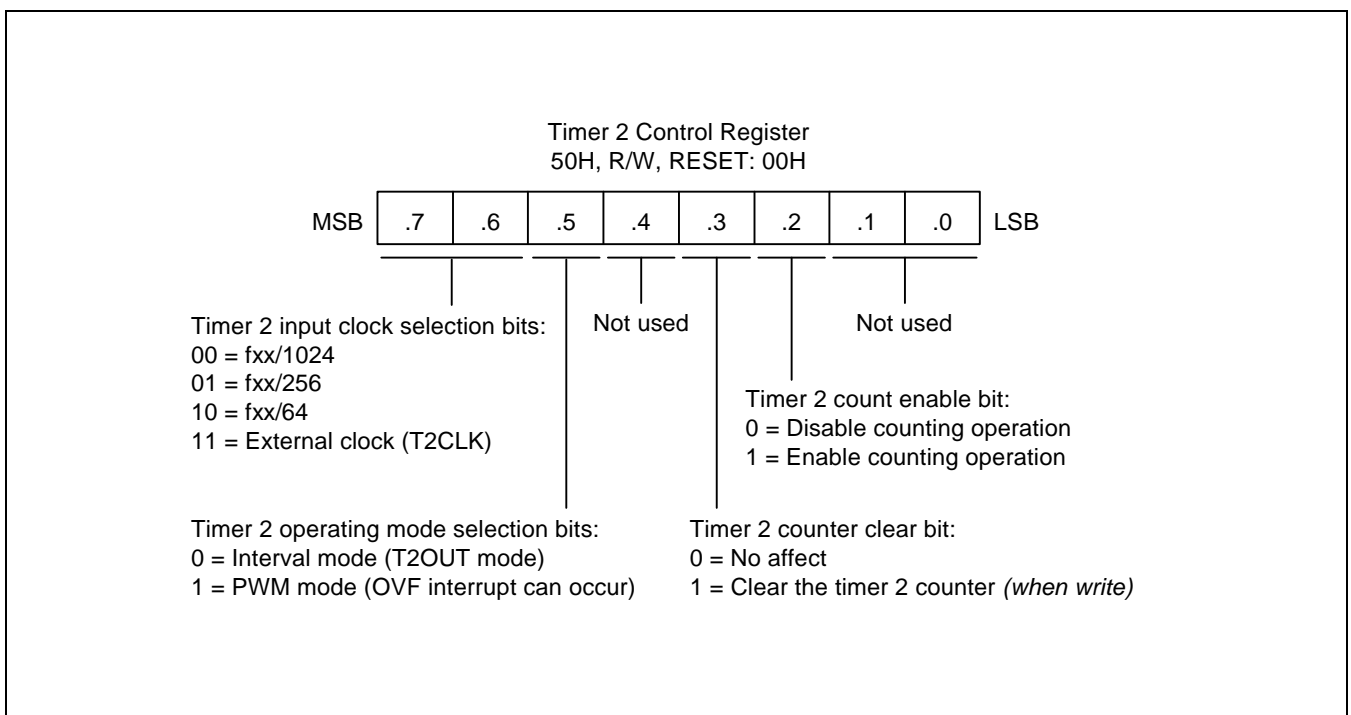
### TIMER 2 CONTROL REGISTER (T2CON)

You use the timer 2 control register, T2CON, to

- Select the timer 2 operating mode (interval mode, or PWM mode)
- Select the timer 2 input clock frequency
- Clear the timer 2 counter, T2CNT
- Enable the timer 2 counting operation

T2CON is located in at address 50H, and is read/written addressable.

A reset clears T2CON to '00H'. This sets timer 2 to normal interval timer mode, selects an input clock frequency of fxx/1024, and disables timer 2 counting operation. You can clear the timer 2 counter at any time during normal operation by writing a "1" to T2CON.3 or the timer 2 counter is cleared by match signal.



**Figure 15-1. Timer 2 Control Register (T2CON)**

BLOCK DIAGRAM

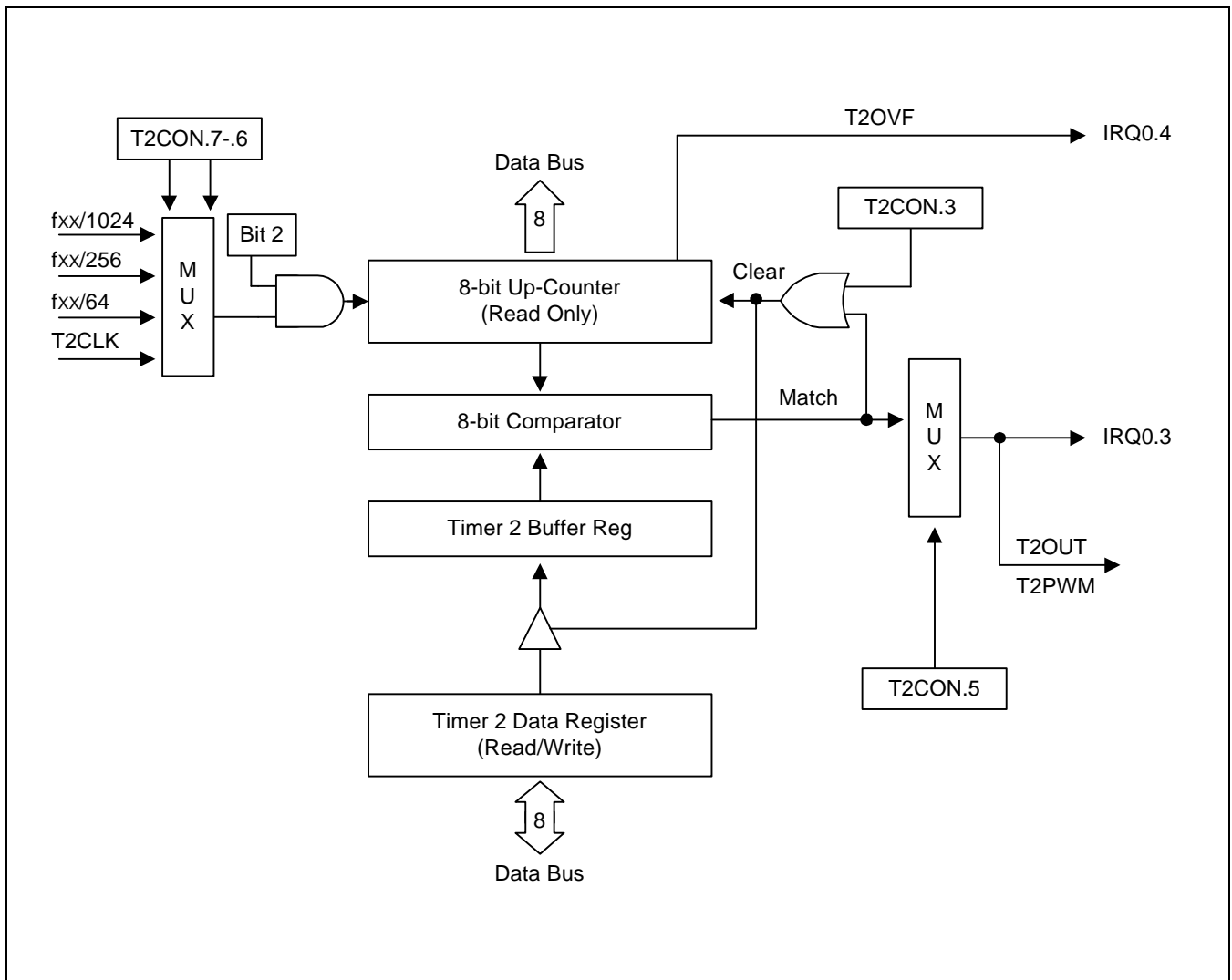


Figure 15-2. Timer 2 Functional Block Diagram

# 16

## 8-BIT TIMER 3

### OVERVIEW

The S3CK225/FK225 micro-controller has an 8-bit counter called timer 3. Timer 3, which can be used to generate the carrier frequency of a remote controller signal.

Timer 3 has two functions:

- As a normal interval timer, generating a timer 3 interrupt at programmed time intervals.
- To supply a clock source to the 16-bit timer/counter module, timer 1, for generating the timer 1 match interrupt.

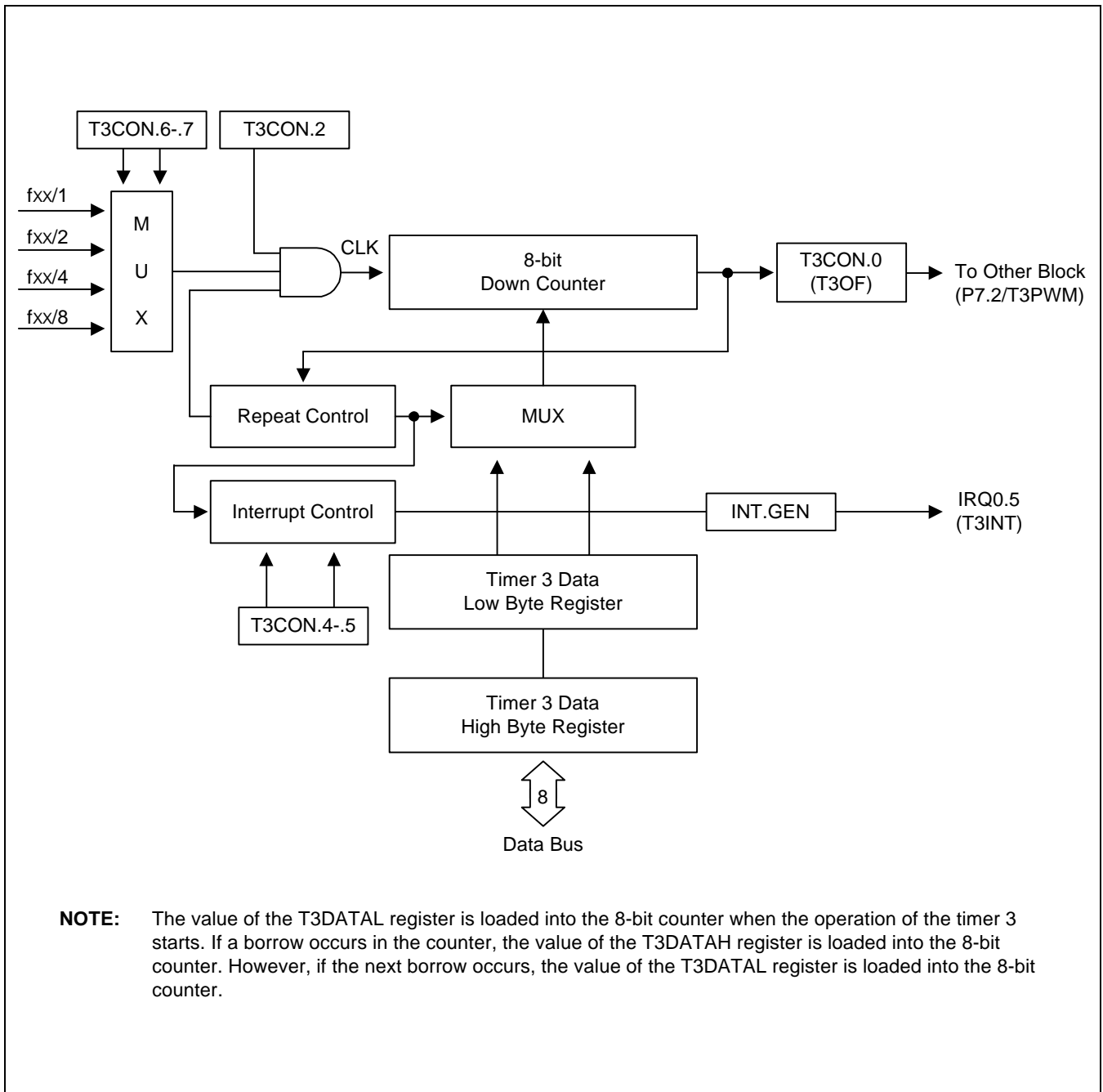


Figure 16-1. Timer 3 Functional Block Diagram

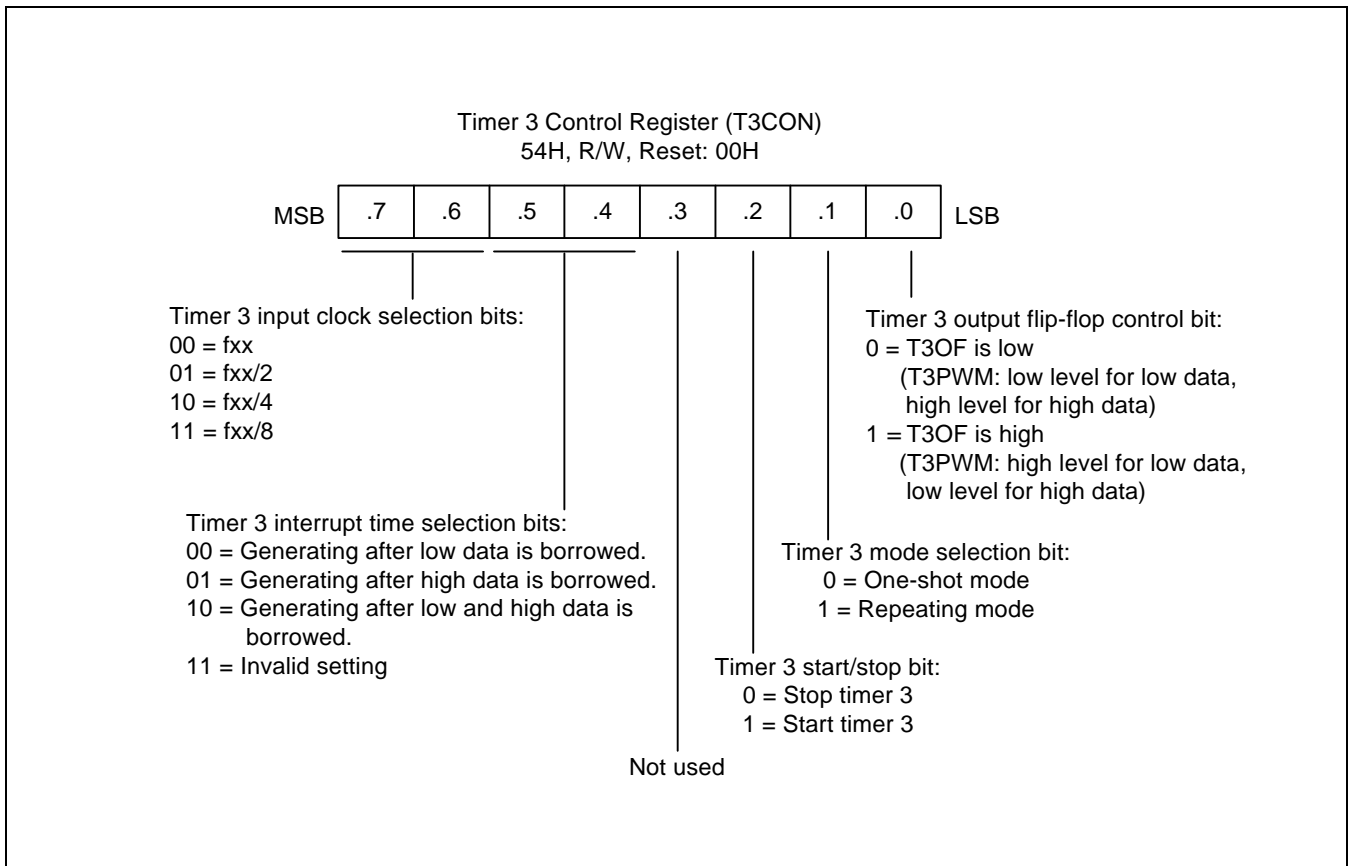


Figure 16-2. Timer 3 Control Register (T3CON)

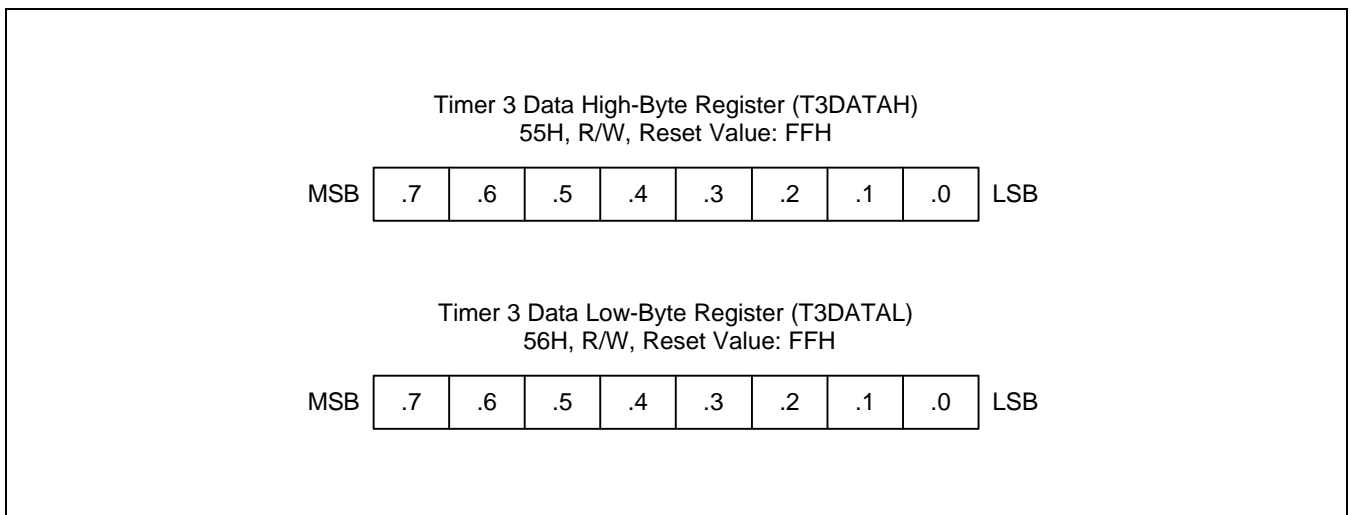
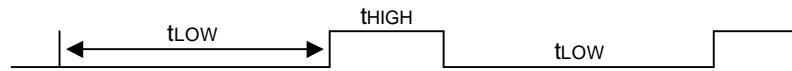


Figure 16-3. Timer 3 Data Registers (T3DATAH/L)

### TIMER 3 PULSE WIDTH CALCULATIONS



To generate the above repeated waveform consisted of low period time,  $t_{LOW}$ , and high period time,  $t_{HIGH}$ .

When T3OF = 0,

$$t_{LOW} = (T3DATAL + 2) \times 1/f_{xx}, 0H < T3DATAL < 100H, \text{ where } f_{xx} = \text{The selected clock.}$$

$$t_{HIGH} = (T3DATAH + 2) \times 1/f_{xx}, 0H < T3DATAH < 100H, \text{ where } f_{xx} = \text{The selected clock.}$$

When T3OF = 1,

$$t_{LOW} = (T3DATAH + 2) \times 1/f_{xx}, 0H < T3DATAH < 100H, \text{ where } f_{xx} = \text{The selected clock.}$$

$$t_{HIGH} = (T3DATAL + 2) \times 1/f_{xx}, 0H < T3DATAL < 100H, \text{ where } f_{xx} = \text{The selected clock.}$$

To make  $t_{LOW} = 24 \text{ us}$  and  $t_{HIGH} = 15 \text{ us}$ .  $f_x = 4 \text{ MHz}$ ,  $f_{xx} = 4 \text{ MHz}/4 = 1 \text{ MHz}$

When T3OF = 0,

$$t_{LOW} = 24 \text{ us} = (T3DATAL + 2) / f_x = (T3DATAL + 2) \times 1 \text{ us}, T3DATAL = 22.$$

$$t_{HIGH} = 15 \text{ us} = (T3DATAH + 2) / f_x = (T3DATAH + 2) \times 1 \text{ us}, T3DATAH = 13.$$

When T3OF = 1,

$$t_{HIGH} = 15 \text{ us} = (T3DATAL + 2) / f_x = (T3DATAL + 2) \times 1 \text{ us}, T3DATAL = 13.$$

$$t_{LOW} = 24 \text{ us} = (T3DATAH + 2) / f_x = (T3DATAH + 2) \times 1 \text{ us}, T3DATAH = 22.$$



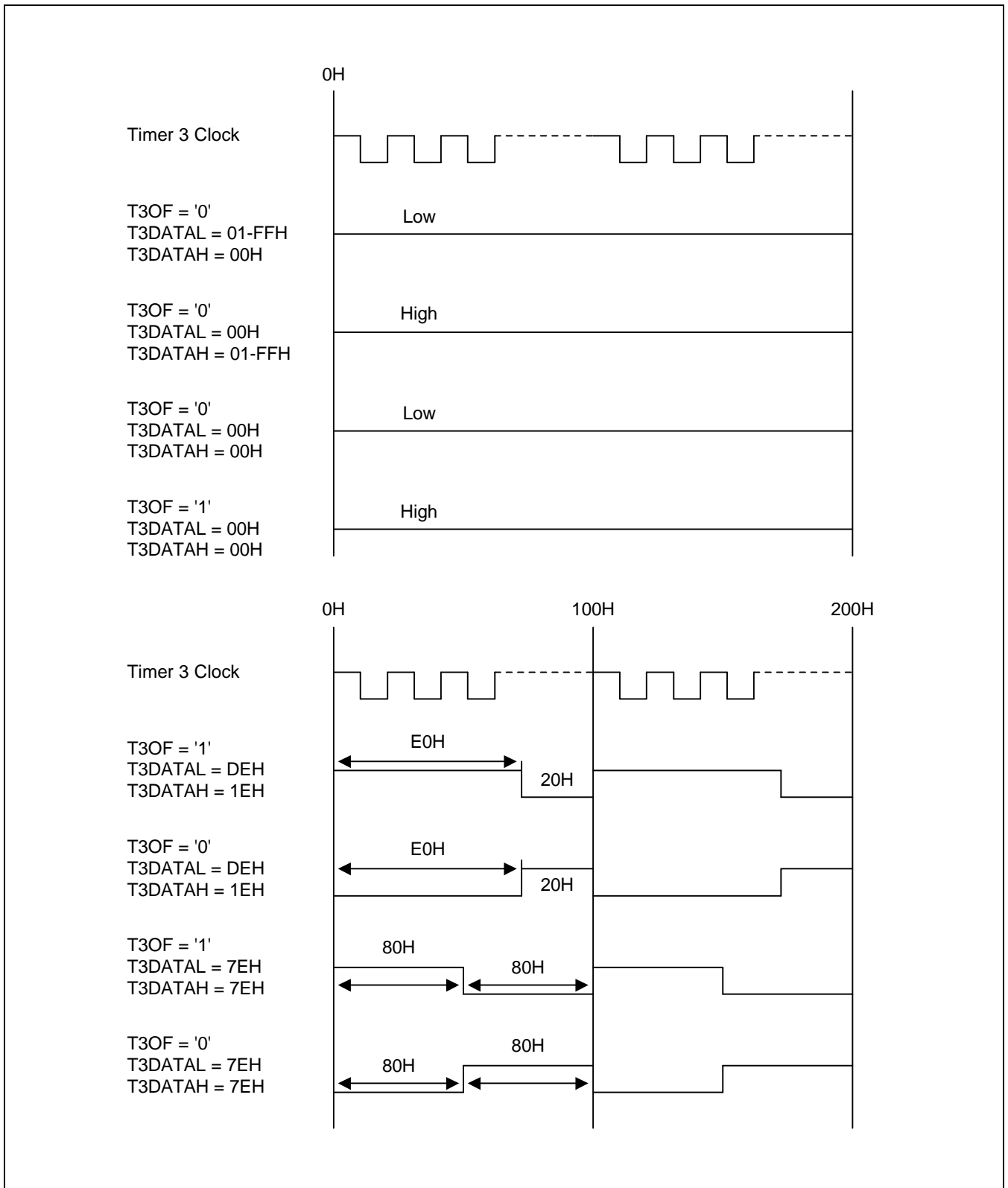
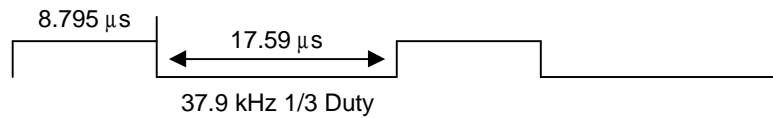


Figure 16-4. Timer 3 Output Flip-Flop Waveforms in Repeat Mode

 **PROGRAMMING TIP — To generate 38 kHz, 1/3duty signal through P7.2**

This example sets Timer 3 to the repeat mode, sets the oscillation frequency as the Timer 3 clock source, and T3DATAH and T3DATAL to make a 38 kHz, 1/3 Duty carrier frequency. The program parameters are:



- Timer 3 is used in repeat mode
- Oscillation frequency is 4 MHz (0.25 μs)
- $T3DATAH = 8.795 \mu\text{s} / 0.25 \mu\text{s} = 35.18$ ,  $T3DATAL = 17.59 \mu\text{s} / 0.25 \mu\text{s} = 70.36$
- Set P7.2 to T3PWM mode.

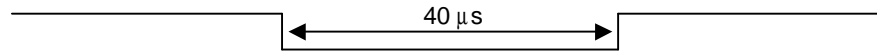
```

START    DI
          .
          .
          .
          LD      R0,#(70-2)
          LD      R1,#(35-2)
          LD      R2,#00000110B
          LD      T3DATAL,R0      ; Set 17.5 μs
          LD      T3DATAH,R1     ; Set 8.75 μs
          LD      T3CON,R2       ; Clock Source ← fxx
                                   ; Select repeat mode for Timer 3.
                                   ; Start Timer 3 operation.
                                   ; Set Timer 3 Output flip-flop (T3OF) low.
                                   ;
          BITR    P7CON.4         ; Set P7.2 to T3PWM mode.
          BITS   P7CON.5         ; This command generates 38 kHz, 1/3 duty pulse signal
                                   through P7.2.
          .
          .
          .

```

 **PROGRAMMING TIP — To generate a one pulse signal through P7.2**

This example sets Timer 3 to the one shot mode, sets the oscillation frequency as the Timer 3 clock source, and T3DATAH and T3DATAL to make a 40  $\mu$ s width pulse. The program parameters are:



- Timer 3 is used in one shot mode
- Oscillation frequency is 4 MHz (1 clock = 0.25  $\mu$ s)
- T3DATAH = 40  $\mu$ s / 0.25  $\mu$ s = 160, T3DATAL = 1
- Set P7.2 to T3PWM mode

```

START    DI
         .
         .
         .
         LD      R0,#(160-2)
         LD      R1,#1
         LD      R2,#00000001B
         LD      T3DATAH,R0      ; Set 40  $\mu$ s
         LD      T3DATAL,R1      ; Set any value except 00H
         LD      T3CON,R2        ; Clock Source  $\leftarrow$  fxx
                                   ; Select one shot mode for Timer 3.
                                   ; Stop Timer 3 operation.
                                   ; Set Timer 3 output flip-flop (T3OF) high
                                   ; Set P7.2 to T3PWM mode.
         BITR    P7CON.4
         BITS    P7CON.5
         .
         .
         .
Pulse_out: LD      R0,#00000101B
          LD      T3CON,R0      ; Start Timer 3 operation
                                   ; to make the pulse at this point.
         .                       ; After the instruction is executed, 0.75  $\mu$ s is required
         .                       ; before the falling edge of the pulse starts.
         .

```

## NOTES

# 17 SERIAL I/O INTERFACE

## OVERVIEW

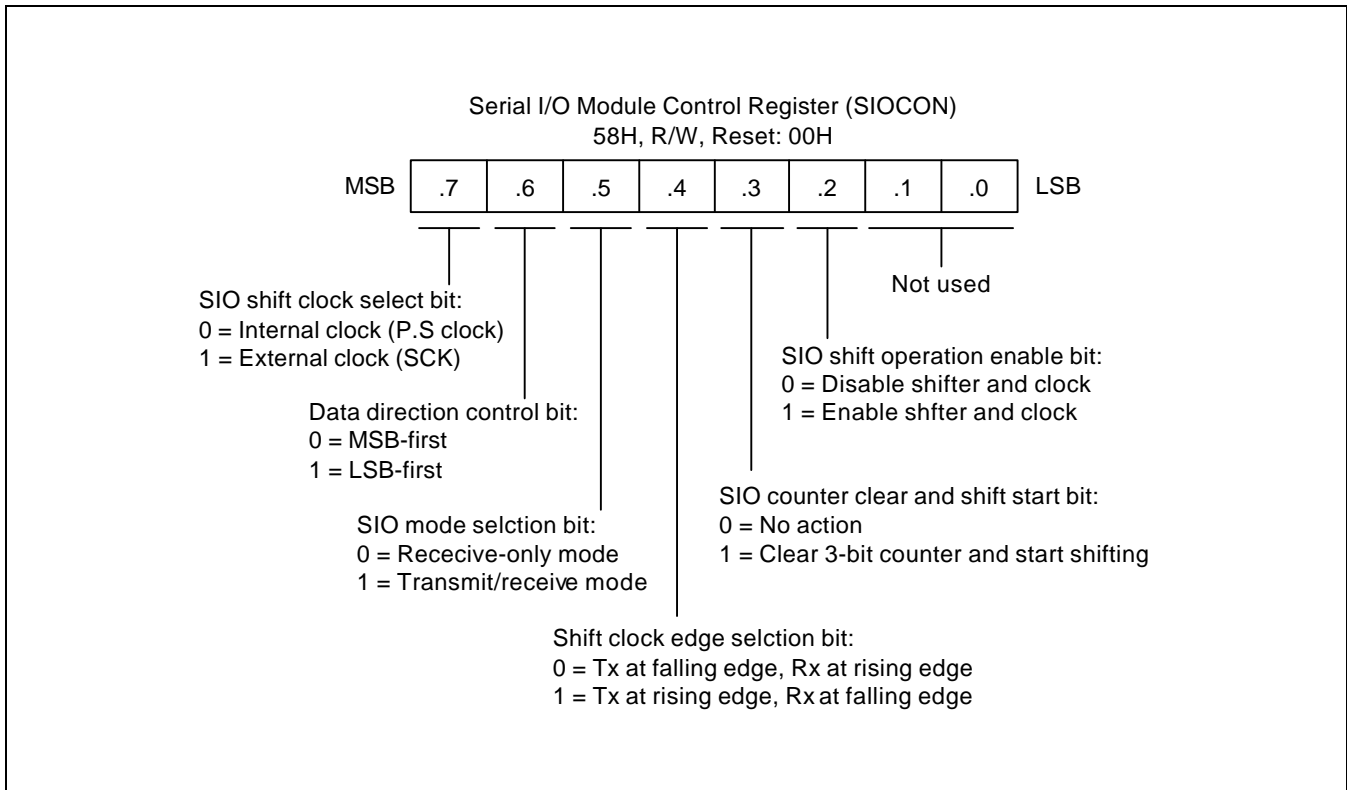
The SIO module can transmit or receive 8-bit serial data at a frequency determined by its corresponding control register settings. To ensure flexible data transmission rates, you can select an internal or external clock source.

### Programming Procedure

To program the SIO modules, follow these basic steps:

1. Configure the I/O pins at port (SO, SCK, SI) by loading the appropriate value to the P1CON register, if necessary.
2. Load an 8-bit value to the SIOCON register to properly configure the serial I/O module. In this operation, SIOCON.2 must be set to "1" to enable the data shifter.
3. When you transmit data to the serial buffer, write data to SIODATA and set SIOCON.3 to 1, the shift operation starts.

**SIO CONTROL REGISTER (SIOCON)**



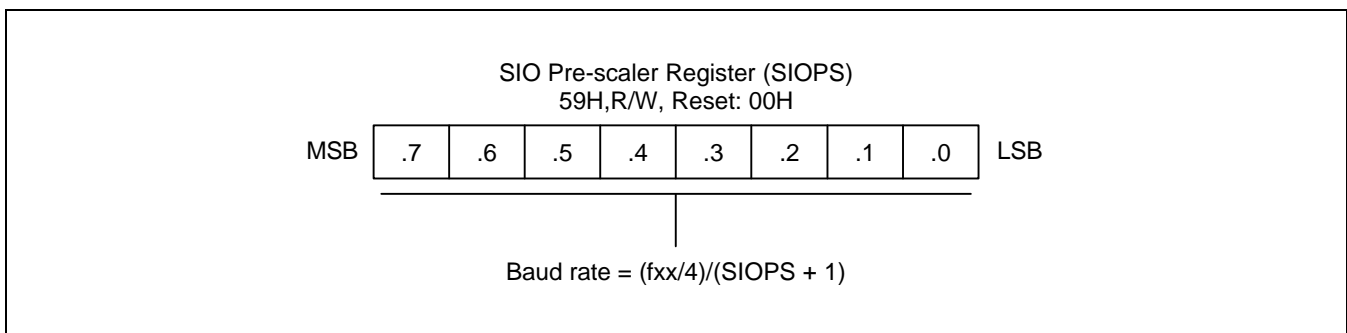
**Figure 17-1. Serial I/O Module Control Registers (SIOCON)**

**SIO PRE-SCALER REGISTER (SIOPS)**

The value stored in the SIO pre-scaler registers, SIOPS, lets you determine the SIO clock rate (baud rate) as follows:

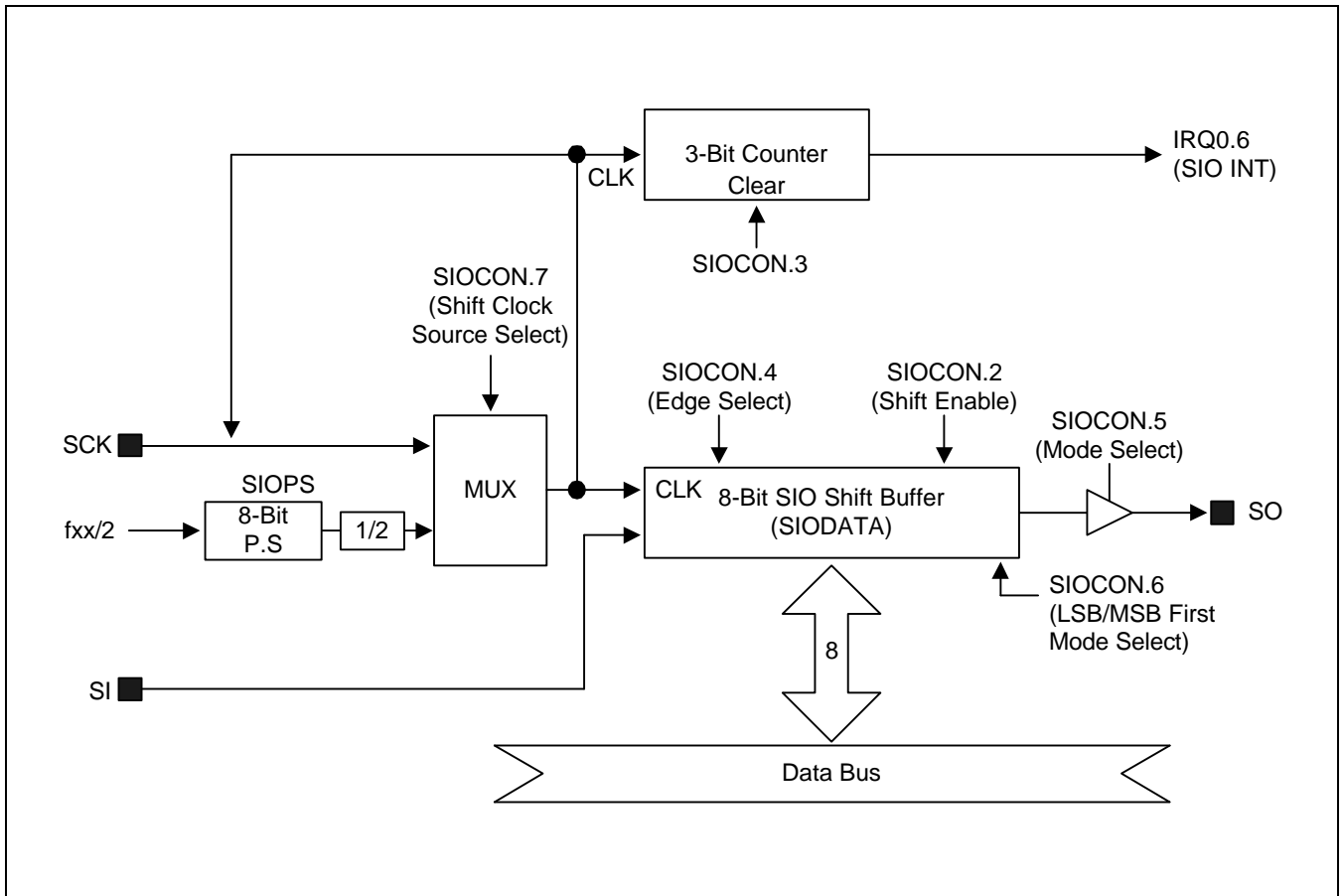
$$\text{Baud rate} = \text{Input clock} (f_{xx}/4) / (\text{Pre-scaler value} + 1), \text{ or, SCK input clock}$$

where fxx is a selected clock.



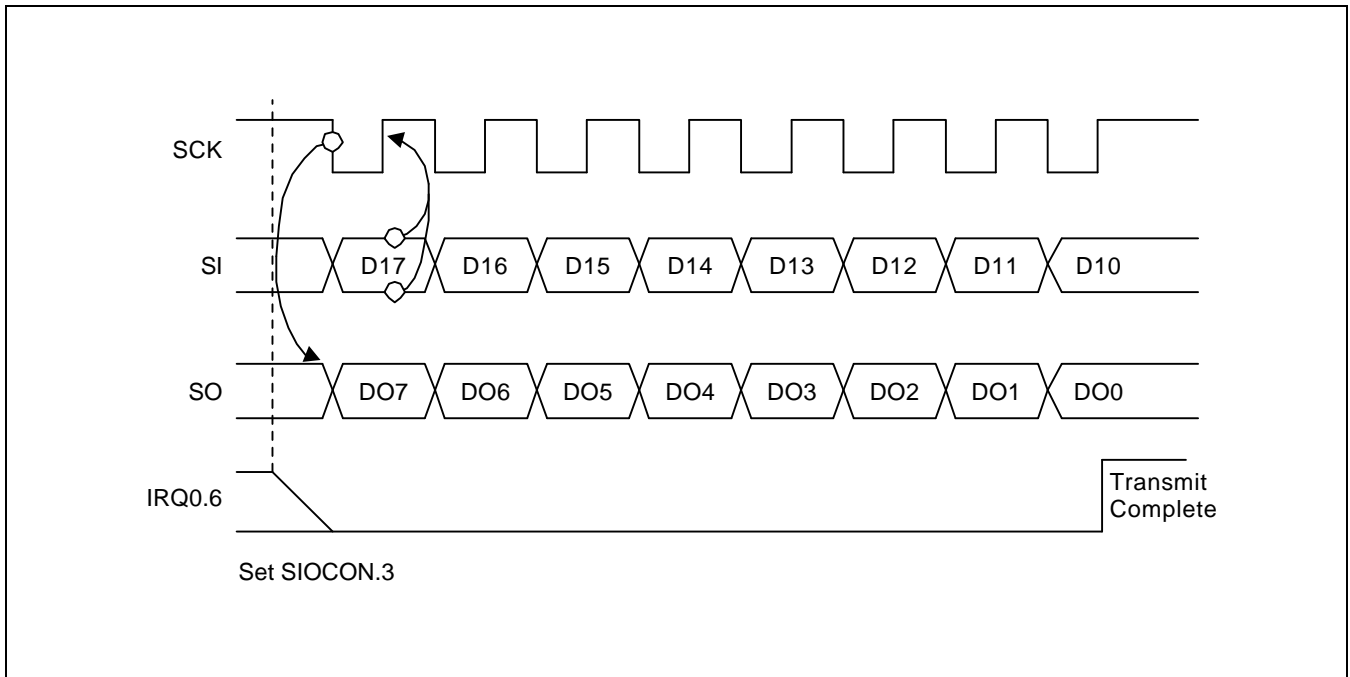
**Figure 17-2. SIO Pre-scaler Register (SIOPS)**

**BLOCK DIAGRAM**

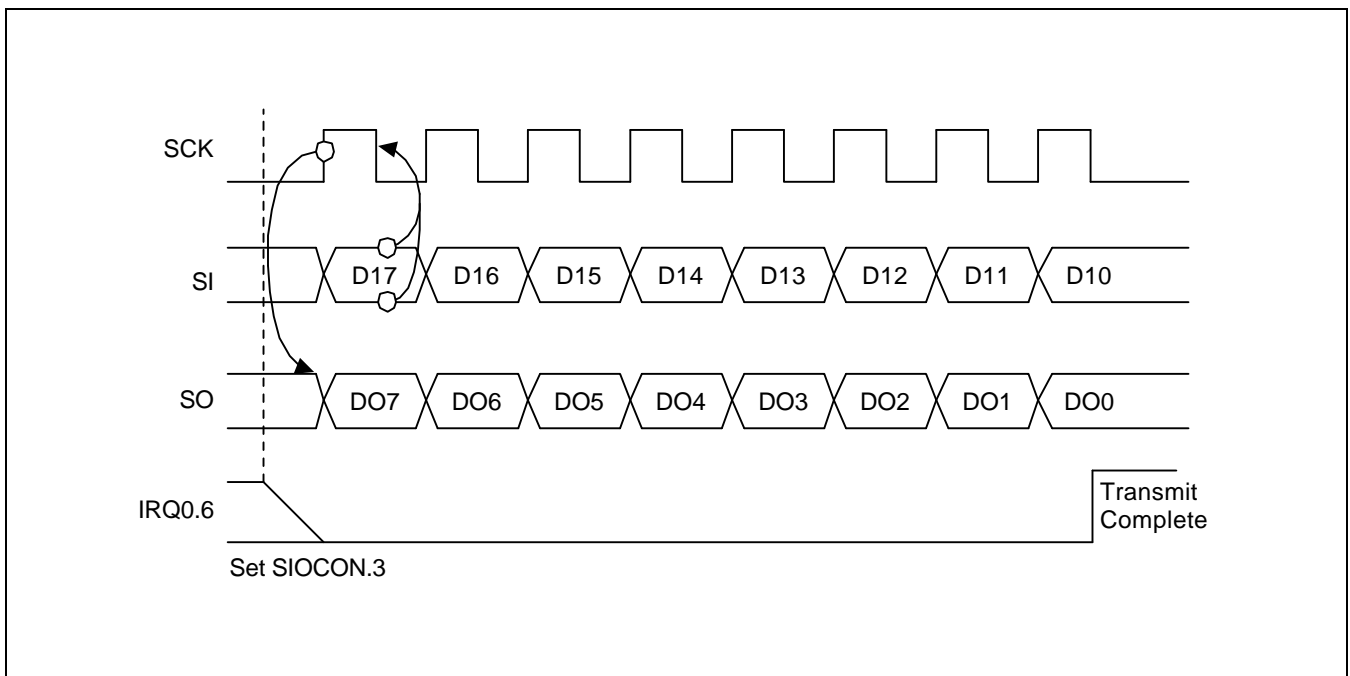


**Figure 17-3. SIO Function Block Diagram**

**SERIAL I/O TIMING DIAGRAM**



**Figure 17-4. Serial I/O Timing in Transmit/Receive Mode(Tx at falling, SIOCON.4=0)**



**Figure 17-5. Serial I/O Timing in Transmit/Receive Mode(Tx at rising, SIOCON.4=1)**



# 18

## LCD CONTROLLER/DRIVER

### OVERVIEW

The S3CK225/FK225 can directly drive an up-to 128-dots LCD panel. The LCD module has the following components:

- LCD controller/driver
- Display RAM (00H-0FH of Page 2) for storing display data
- 32 segment output pins (SEG0-SEG31)
- 4 common output pins (COM0-COM3)

Bit settings in the LCD mode register, LMOD, determine the LCD frame frequency, duty, and bias.

The LCD control register LCON turns the LCD display on and off, and selects the segment pins used for display output. LCD data stored in the display RAM locations are transferred to the segment signal pins automatically without program control.

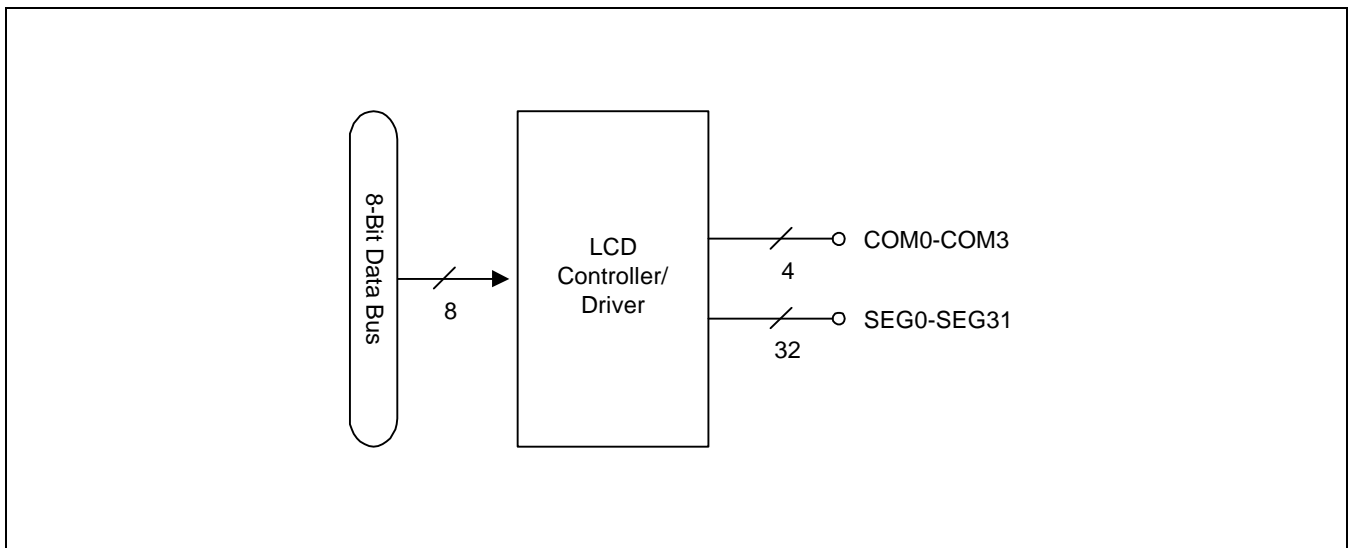


Figure 18-1. LCD Function Diagram

LCD CIRCUIT DIAGRAM

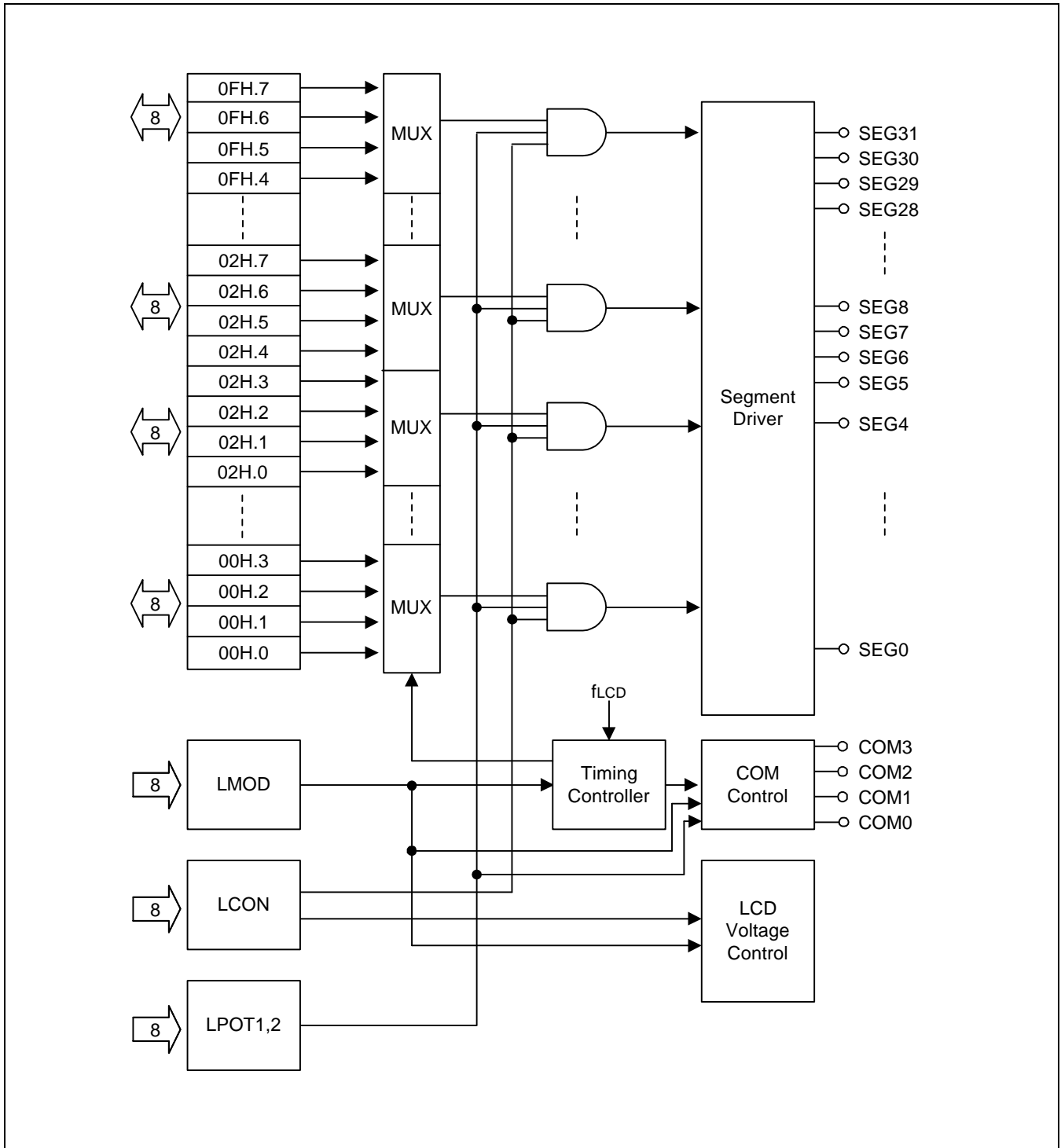
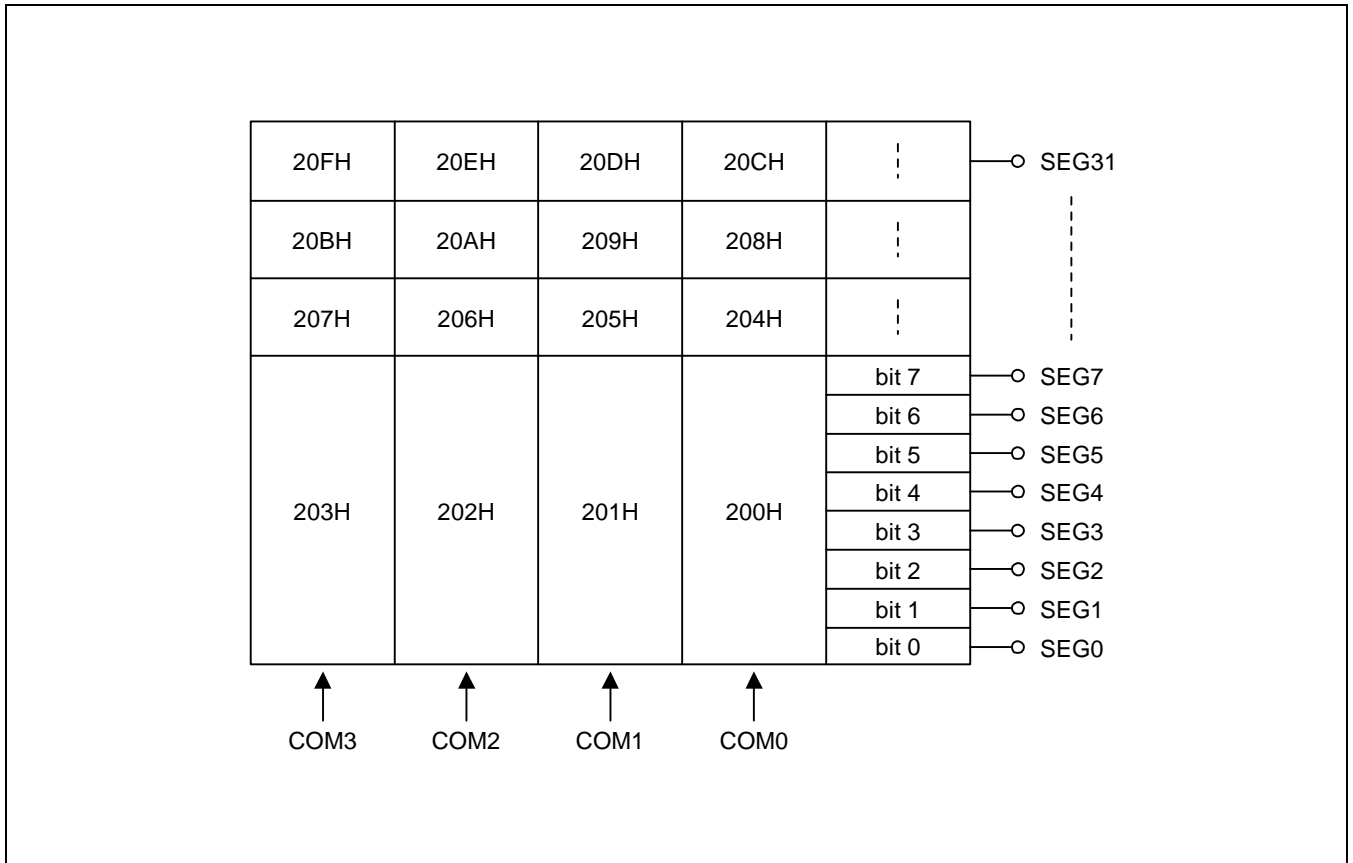


Figure 18-2. LCD Circuit Diagram

**LCD RAM ADDRESS AREA**

RAM addresses 00H-0FH of page 2 are used as LCD data memory. When the bit value of a display segment is "1", the LCD display is turned on; when the bit value is "0", the display is turned off.

Display RAM data are sent out through segment pins SEG0-SEG31 using a direct memory access (DMA) method that is synchronized with the  $f_{LCD}$  signal. RAM addresses in this location that are not used for LCD display can be allocated to general-purpose use.



**Figure 18-3. LCD Display Data RAM Organization**

## LCD CONTROL REGISTER (LCON, 60H)

Table 18-1. LCD Control Register (LCON) Organization

LCON Bit	Setting	Description
LCON.7	0	P4.7-P4.4 is selected
	1	SEG23-SEG20 is selected, P4.7-P4.4 I/O is disabled
LCON.6	0	P4.3-P4.0 is selected
	1	SEG19-SEG16 is selected, P4.3-P4.0 I/O is disabled
LCON.5	0	P3.7-P3.4 is selected
	1	SEG15-SEG12 is selected, P3.7-P3.4 I/O is disabled
LCON.4	0	P3.3-P3.0 is selected
	1	SEG11-SEG8 is selected, P3.3-P3.0 I/O is disabled
LCON.3	0	P2.7-P2.4 is selected
	1	SEG7-SEG4 is selected, P2.7-P2.4 I/O is disabled
LCON.2	0	P2.3-P2.0 is selected
	1	SEG3-SEG0 is selected, P2.3-P2.0 I/O is disabled
LCON.1	0	Always logic zero
LCON.0	0	LCD output low; turn display off
	1	COM and SEG output is in display mode; turn display on

Table 18-2. Relationship of LCON.0 and LMOD.3 Bit Settings

LCON.0	LMOD.3	COM0-COM3	SEG0-SEG31
0	x	Output low; LCD display off	Output low; LCD display off
1	0	LCD display off signal output	
	1	COM output corresponds to display mode	SEG output corresponds to display mode

**NOTE:** "x" means don't care.

### LCD Mode Register (LMOD)

The LCD mode control register LMOD is mapped to RAM addresses 61H.

LMOD controls these LCD functions:

- Duty and bias selection (LMOD.3-LMOD.0)
- LCDCK clock frequency selection (LMOD.5-LMOD.4)

The LCD clock signal, LCDCK, determines the frequency of COM signal scanning of each segment output. This is also referred to as the 'frame frequency'. RESET clears the LMOD and LCON register values to logic zero. This produces the following LCD control settings:

- Display is turned off
- LCDCK frequency is 64 Hz

The LCD display can continue to operate during idle and stop modes if a sub clock is running, sub clock is selected as watch timer clock, and watch timer is enabled.

**Table 18-3. LCD Clock Signal (LCDCK) Frame Frequency**

LCDCK Frequency ( $f_{LCD}$ )	Static	1/2 Duty	1/3 Duty	1/4 Duty
64 Hz	64	32	21	16
128 Hz	128	64	43	32
256 Hz	256	128	85	64
512 Hz	512	256	171	128

**NOTE:** Because the clock source of LCDCK is from Watch Timer module, Watch Timer must be enabled for LCD display.

Table 18-4. LCD Mode Control Register (LMOD) Organization, 61H

<b>LMOD.7</b>	Always logic zero.
<b>LMOD.6</b>	Always logic zero.

<b>LMOD.5</b>	<b>LMOD.4</b>	<b>LCD Clock (LCDCK) Frequency</b>
0	0	$f_{LCD} = 64 \text{ Hz}$ (when fw is 32.768 kHz)
0	1	$f_{LCD} = 128 \text{ Hz}$ (when fw is 32.768 kHz)
1	0	$f_{LCD} = 256 \text{ Hz}$ (when fw is 32.768 kHz)
1	1	$f_{LCD} = 512 \text{ Hz}$ (when fw is 32.768 kHz)

<b>LMOD.3</b>	<b>LMOD.2</b>	<b>LMOD.1</b>	<b>LMOD.0</b>	<b>Duty and Bias Selection for LCD Display</b>
0	x	x	x	LCD display off signal output
1	0	0	0	1/4 duty, 1/3 bias
1	0	0	1	1/3 duty, 1/3 bias
1	0	1	1	1/3 duty, 1/2 bias
1	0	1	0	1/2 duty, 1/2 bias
1	1	x	x	Static

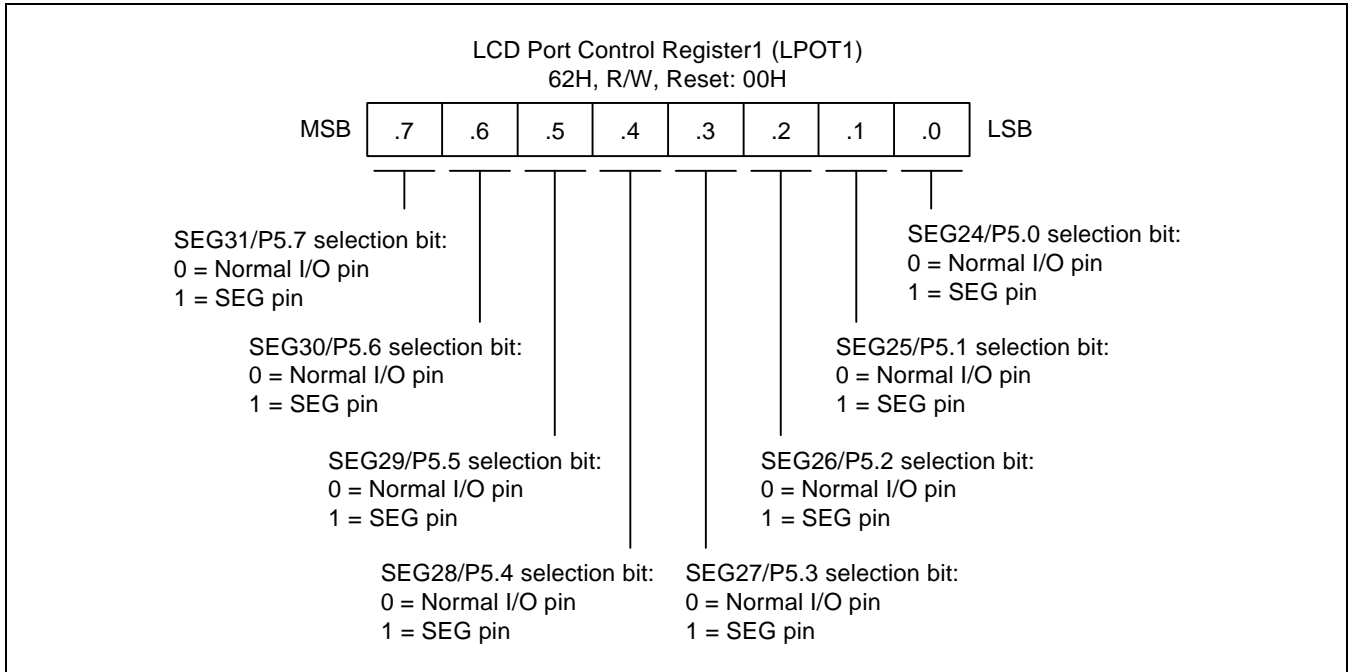
**NOTE:** "x" means don't care.

Table 18-5. Maximum Number of Display Digits per Duty Cycle

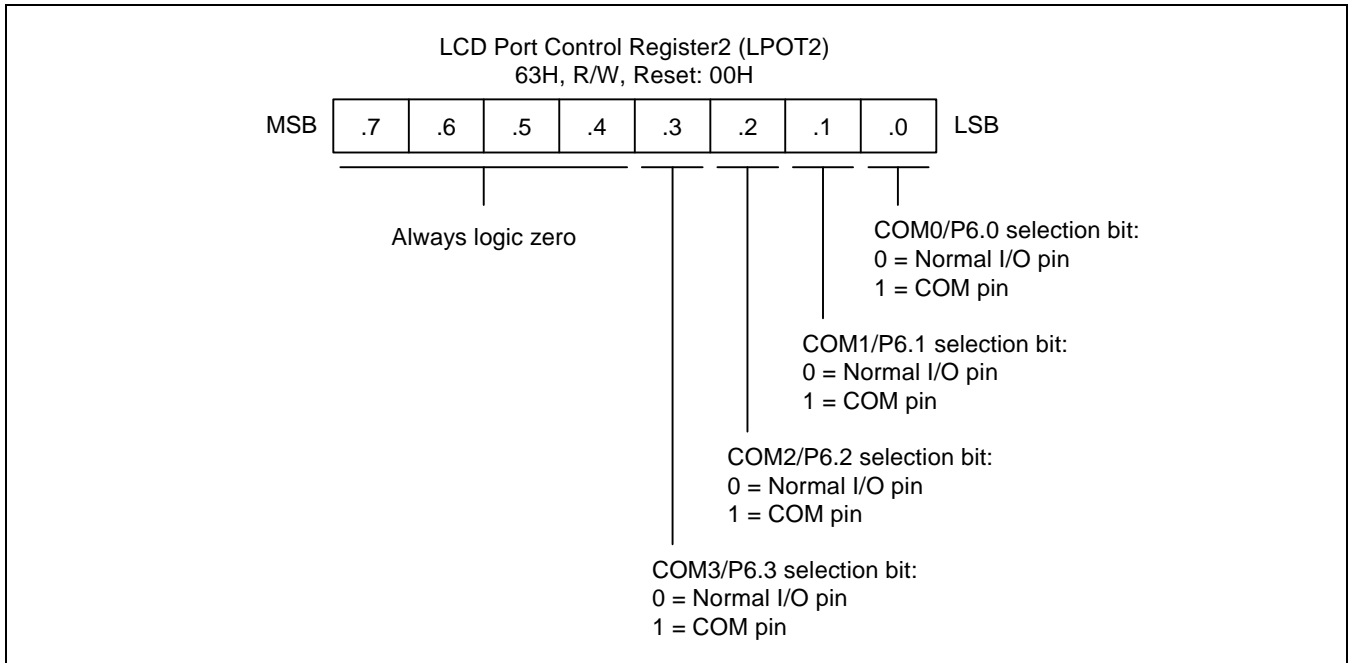
<b>LCD Duty</b>	<b>LCD Bias</b>	<b>COM Output Pins</b>	<b>Maximum Seg Display</b>
Static	Static	COM0	32
1/2	1/2	COM0-COM1	$32 \times 2$
1/3	1/2	COM0-COM2	$32 \times 3$
1/3	1/3	COM0-COM2	$32 \times 3$
1/4	1/3	COM0-COM3	$32 \times 4$

**LCD PORT CONTROL REGISTERS (LPOT1, LPOT2)**

The LCD port control registers, LPOT1 and LPOT2, is used to control for selecting LCD signal or normal I/O pins. Following a RESET, the LPOT1 and LPOT2 values are cleared to "0".



**Figure 18-4. LCD Port Control Resister1 (LPOT1)**



**Figure 18-5. LCD Port Control Resister2 (LPOT2)**

LCD VOLTAGE DIVIDING RESISTORS

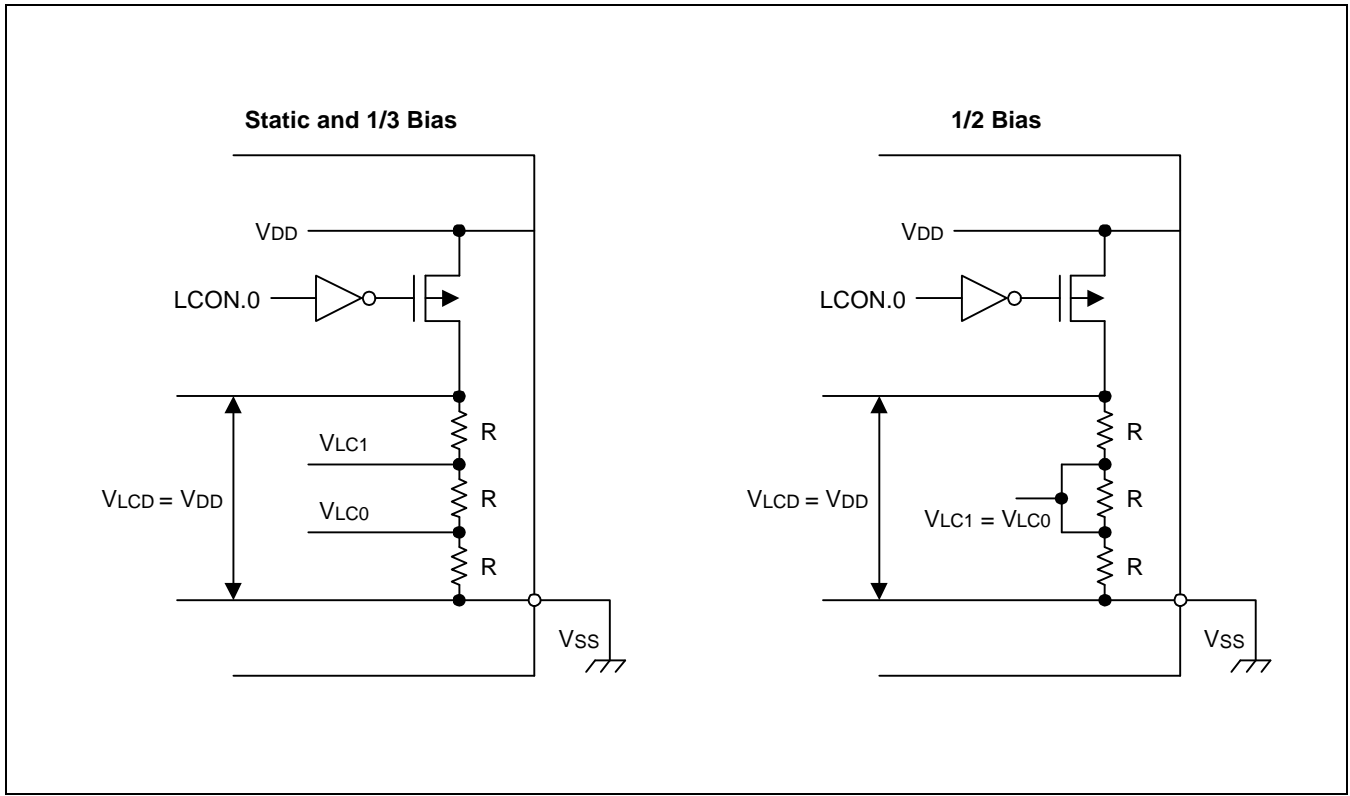


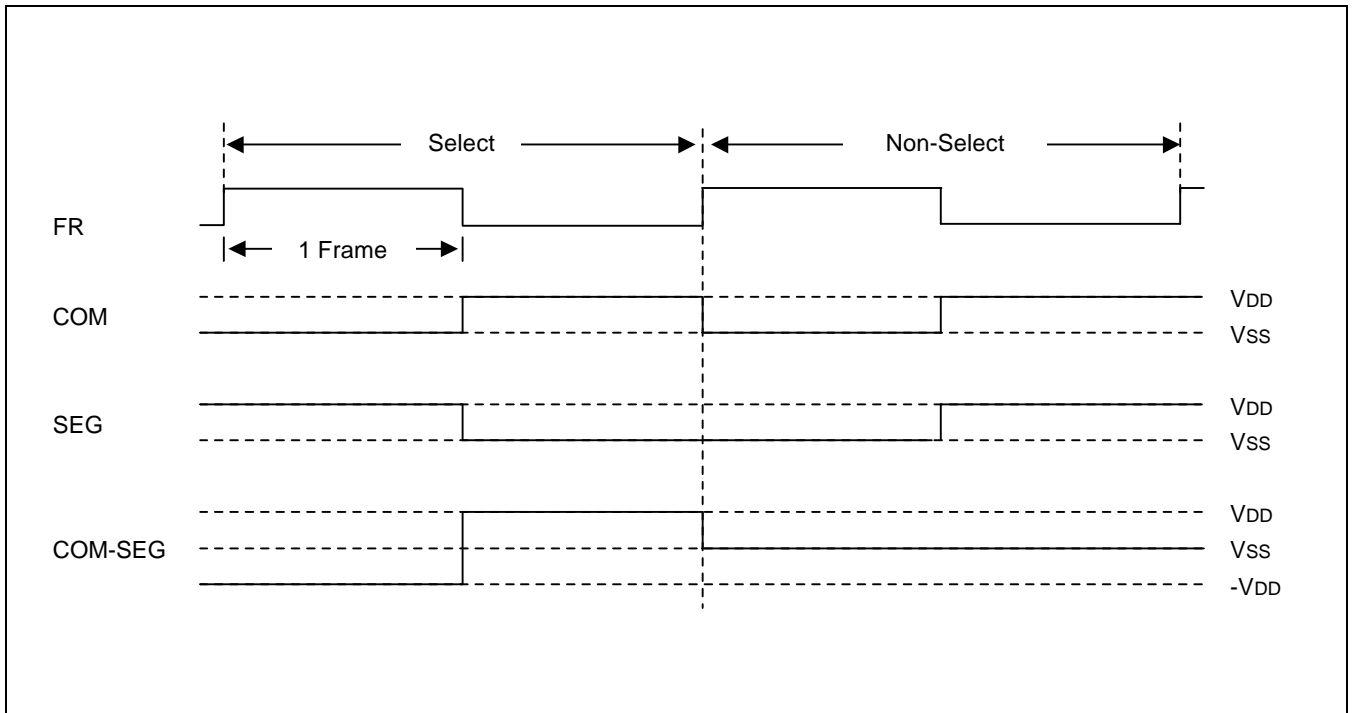
Figure 18-6. Internal Voltage Dividing Resistor Connection



**LCD COM/SEG SIGNALS**

The 32 LCD segment signal pins are connected to corresponding display RAM locations at 00H-0FH of page 2. Bits of the display RAM are synchronized with the common signal output pins COM0, COM1, COM2, and COM3.

When the bit value of a display RAM location is "1", a select signal is sent to the corresponding segment pin. When the display bit is "0", a 'no-select' signal is sent to the corresponding segment pin. Each bias has select and no-select signals.



**Figure 18-7. Select/No-Select Bias Signals in Static Display Mode**

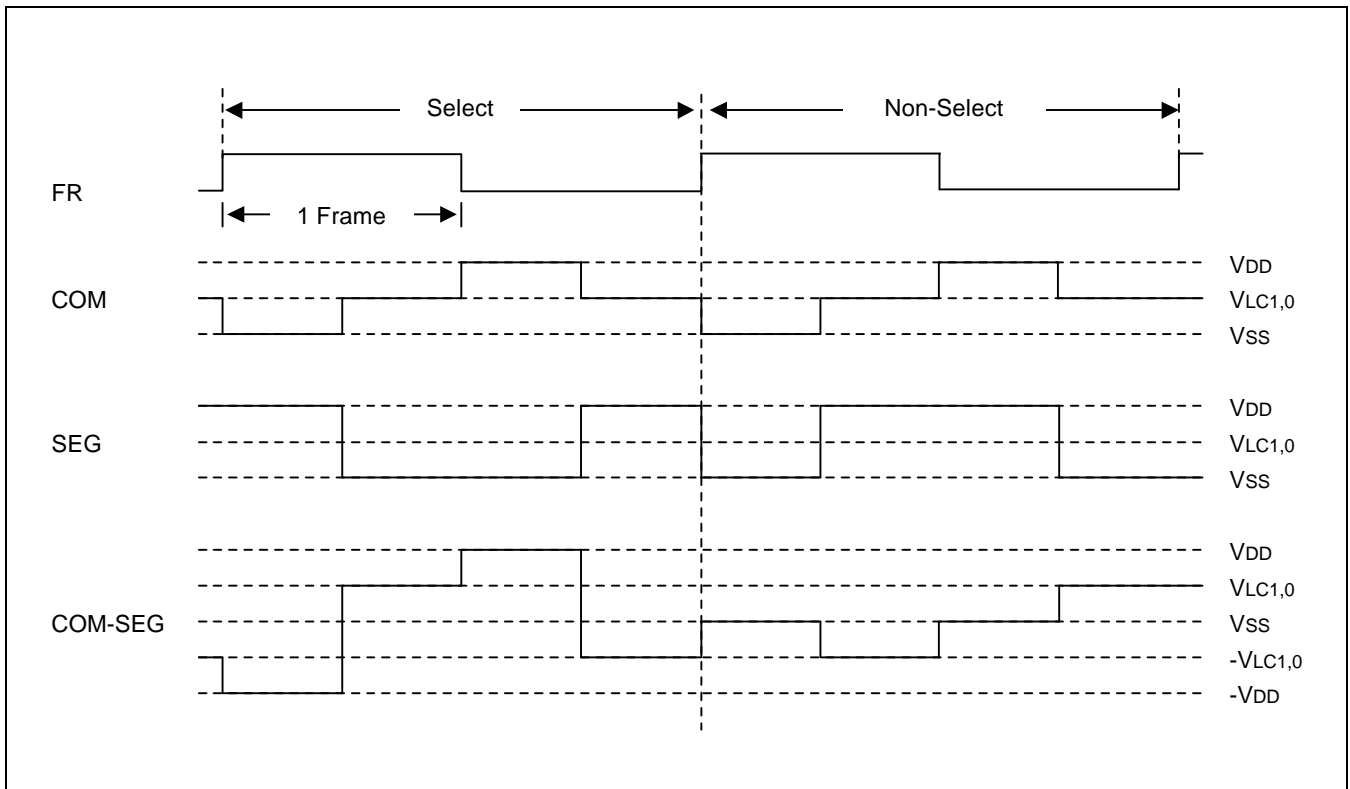


Figure 18-8. Select/No-Select Bias Signals in 1/2 Duty, 1/2 Bias Display Mode

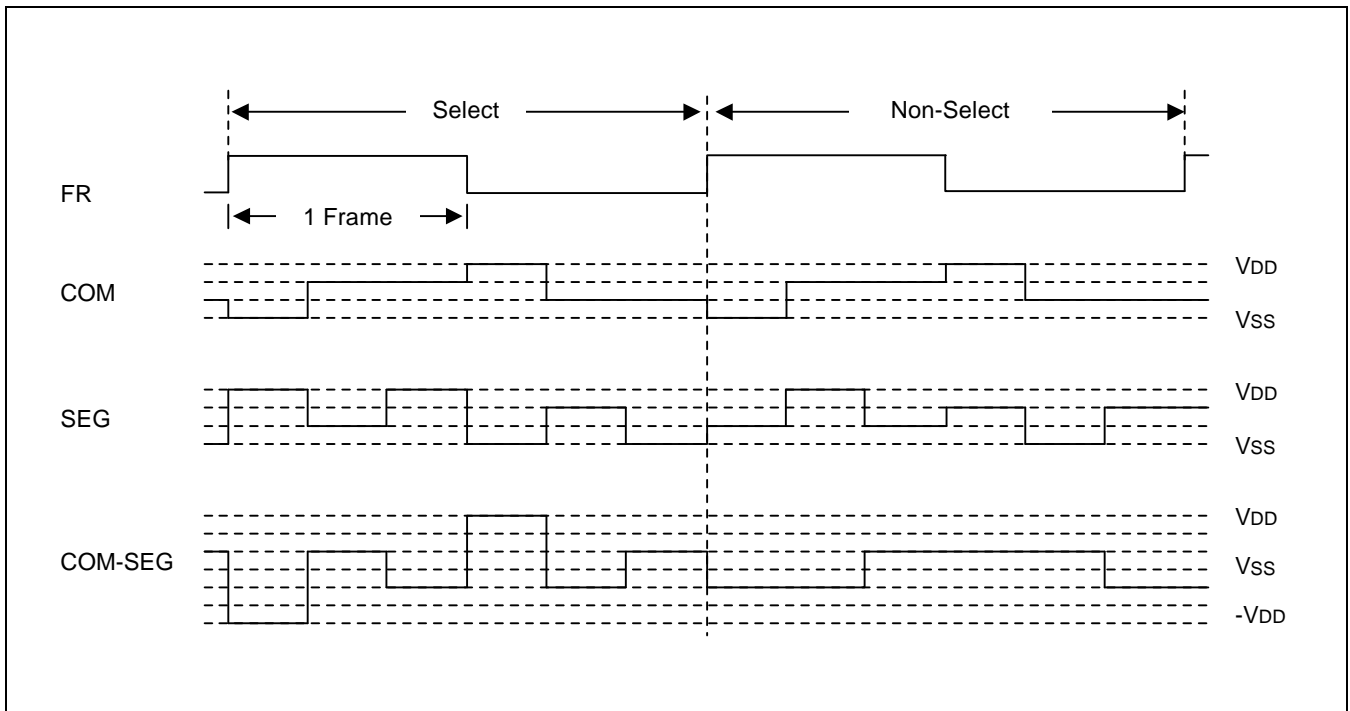


Figure 18-9. Select/No-Select Bias Signals in 1/3 Duty, 1/3 Bias Display Mode

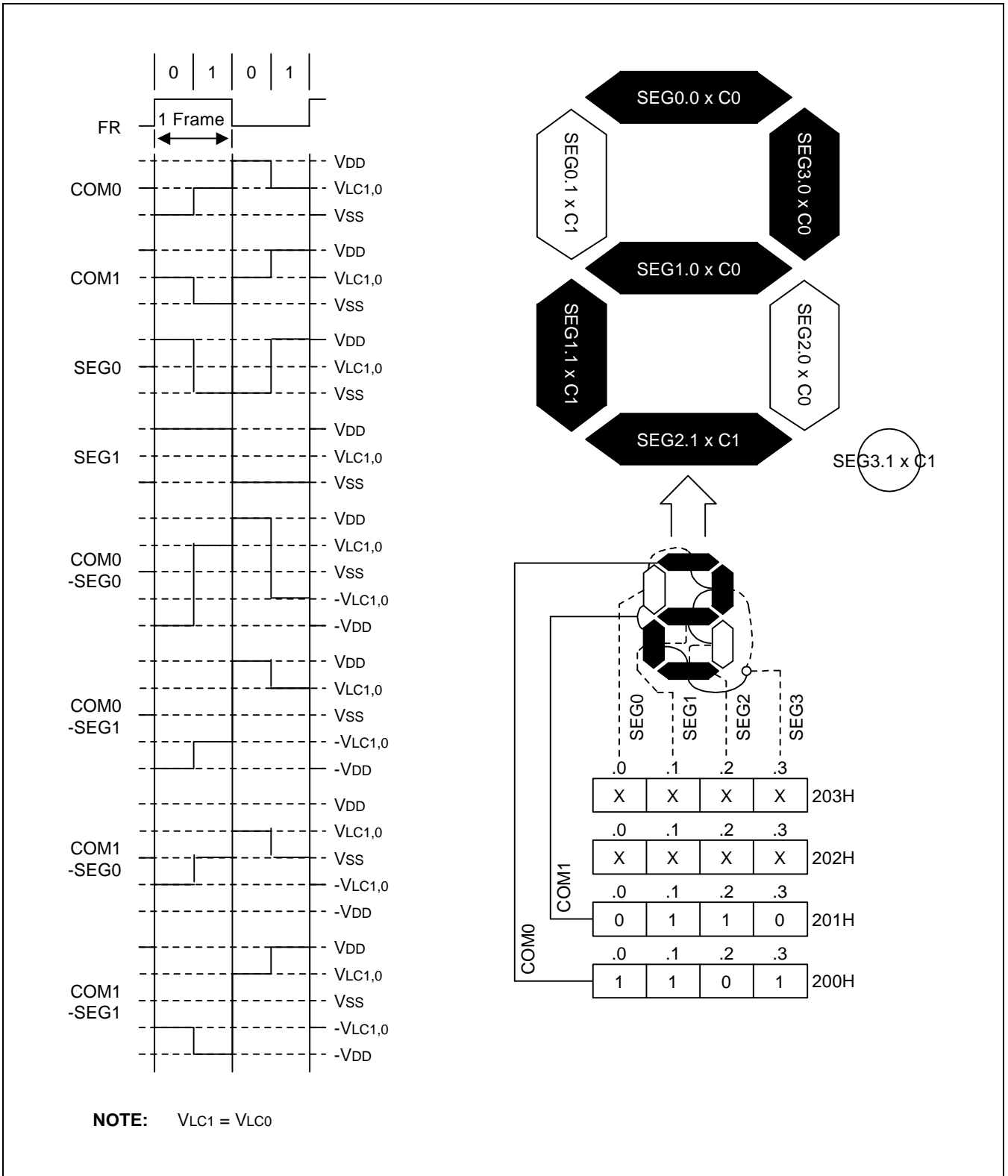


Figure 18-10. LCD Signal and Wave Forms Example in 1/2 Duty, 1/2 Bias Display Mode

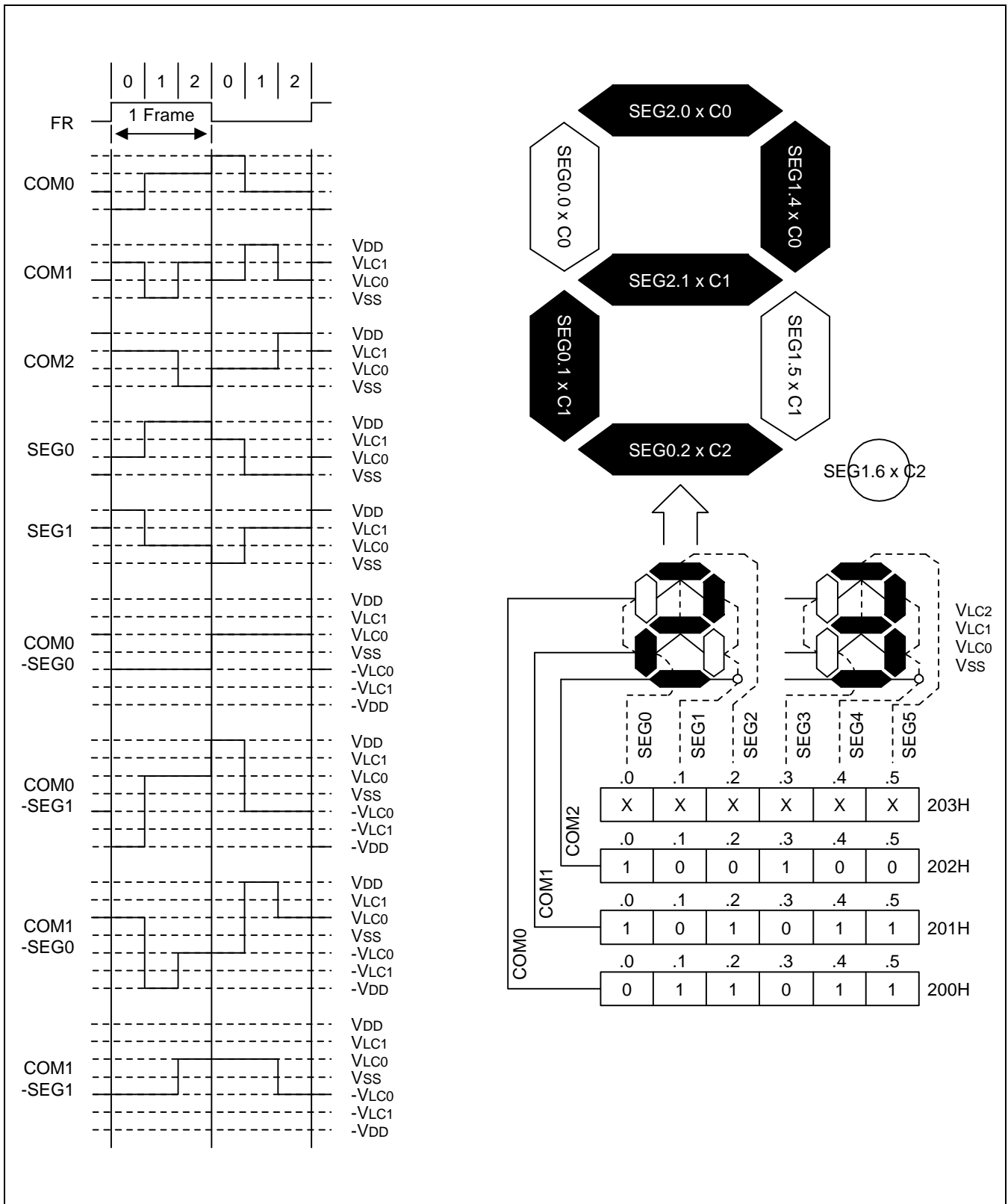


Figure 18-11. LCD Signals and Wave Forms Example in 1/3 Duty, 1/3 Bias Display Mode

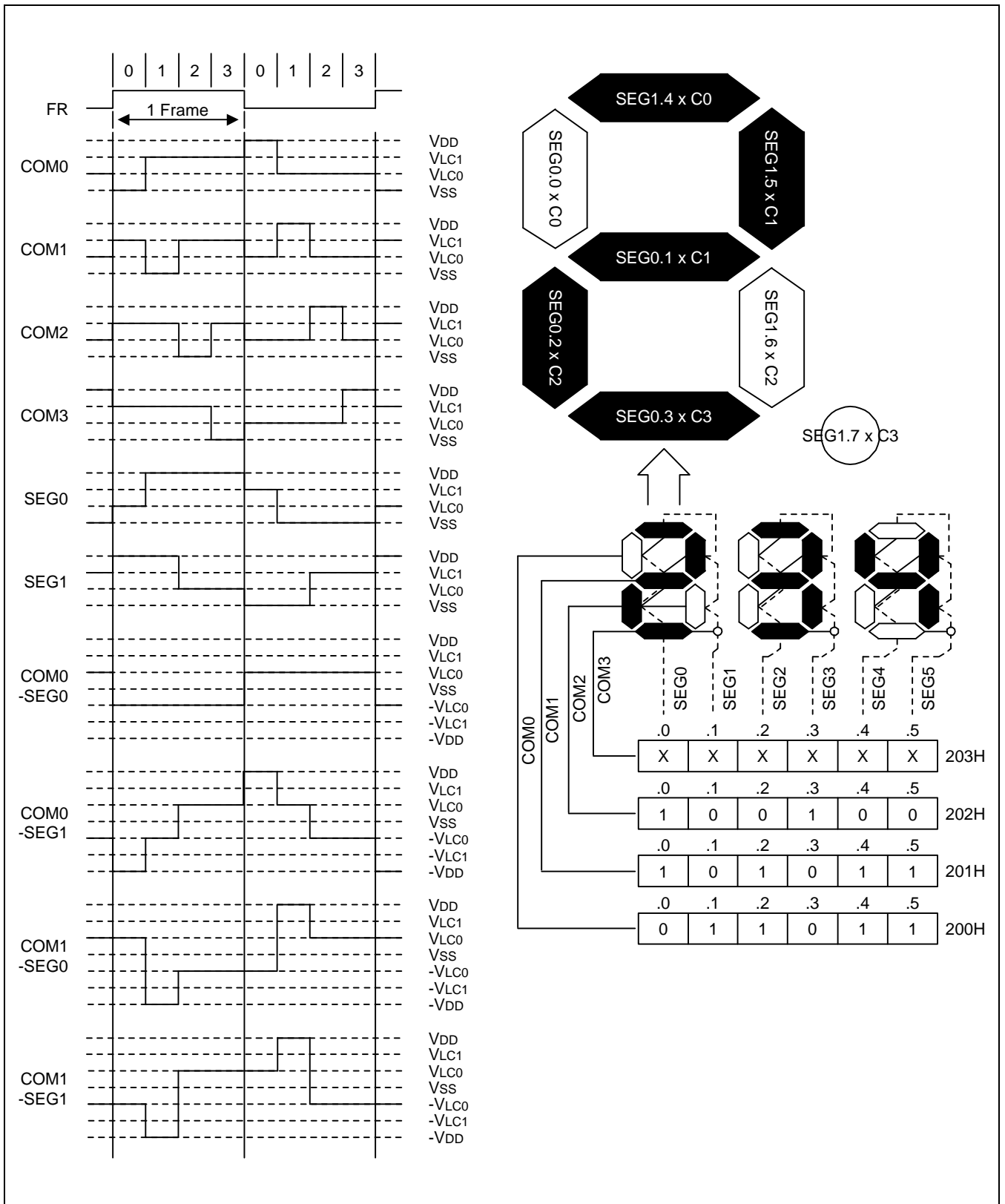


Figure 18-12. LCD Signals and Wave Forms Example in 1/4 Duty, 1/3 Bias Display Mode

## NOTES

# 19

## 10-BIT ANALOG-TO-DIGITAL CONVERTER

### OVERVIEW

The 10-bit A/D converter (ADC) module uses successive approximation logic to convert analog levels entering at one of the eight input channels to equivalent 10-bit digital values. The analog input level must lie between the  $AV_{REF}$  and  $AV_{SS}$  values. The A/D converter has the following components:

- Analog comparator with successive approximation logic
- D/A converter logic (resistor string type)
- ADC control register (ADCON)
- Eight multiplexed analog data input pins (AD0-AD7)
- 10-bit A/D conversion data output register (ADDATAH/ADDATAL)
- 8-bit digital input port (Alternately, I/O port)

### FUNCTION DESCRIPTION

To initiate an analog-to-digital conversion procedure, at first you must set with alternative function for ADC input enable at port 5, the pin set with alternative function can be used for ADC analog input. And you write the channel selection data in the A/D converter control register ADCON.4-.6 to select one of the eight analog input pins (AD0-AD7) and set the conversion start or enable bit, ADCON.0. The read-write ADCON register is located in address 5CH. The pins which are not used for ADC can be used for normal I/O or SEG signal.

During a normal conversion, ADC logic initially sets the successive approximation register to 800H (the approximate half-way point of an 10-bit register). This register is then updated automatically during each conversion step. The successive approximation block performs 10-bit conversions for one input channel at a time. You can dynamically select different channels by manipulating the channel selection bit value (ADCON.6-4) in the ADCON register. To start the A/D conversion, you should set the enable bit, ADCON.0. When a conversion is completed, ADCON.3, the end-of-conversion(EOC) bit is automatically set to 1 and the result is dumped into the ADDATAH/ADDATAL register where it can be read. The A/D converter then enters an idle state. Remember to read the contents of ADDATAH/ADDATAL before another conversion starts. Otherwise, the previous result will be overwritten by the next conversion result.

#### NOTE

Because the A/D converter has no sample-and-hold circuitry, it is very important that fluctuation in the analog level at the AD0-AD7 input pins during a conversion procedure be kept to an absolute minimum. Any change in the input level, perhaps due to noise, will invalidate the result. If the chip enters to STOP or IDLE mode in conversion process, there will be a leakage current path in A/D block. You must use STOP or IDLE mode after ADC operation is finished.

## CONVERSION TIMING

The A/D conversion process requires 4 steps (4 clock edges) to convert each bit and 10 clocks to set-up A/D conversion. Therefore, total of 50 clocks are required to complete an 10-bit conversion: When fxx/8 is selected for conversion clock with an 4.5 MHz fxx clock frequency, one clock cycle is 1.78 us. Each bit conversion requires 4 clocks, the conversion rate is calculated as follows:

$$4 \text{ clocks/bit} \times 10\text{-bit} + \text{set-up time} = 50 \text{ clocks}, 50 \text{ clock} \times 1.78 \text{ us} = 89 \text{ us at } 0.56 \text{ MHz (4.5 MHz/8)}$$

Note that A/D converter needs at least 25 $\mu$ s for conversion time.

## A/D CONVERTER CONTROL REGISTER (ADCON)

The A/D converter control register, ADCON, is located at address 5CH. It has three functions:

- Analog input pin selection (bits 4–6)
- End-of-conversion status detection (bit 3)
- ADC clock selection (bits 2 and 1)
- A/D operation start or disable (bit 0)

After a reset, the start bit is turned off. You can select only one analog input channel at a time. Other analog input pins (AD0-AD7) can be selected dynamically by manipulating the ADCON.4–.6 bits. And the pins not used for analog input can be used for normal I/O or SEG function.

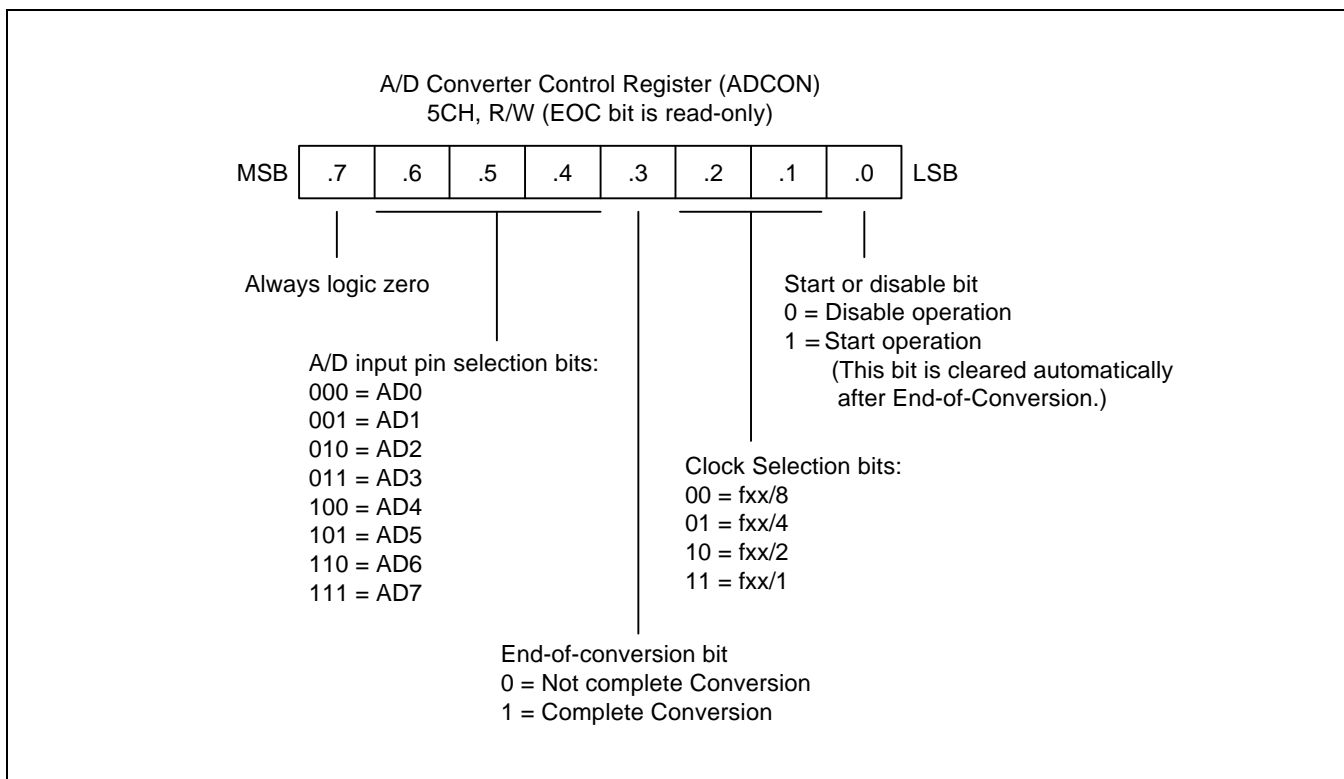


Figure 19-1. A/D Converter Control Register (ADCON)



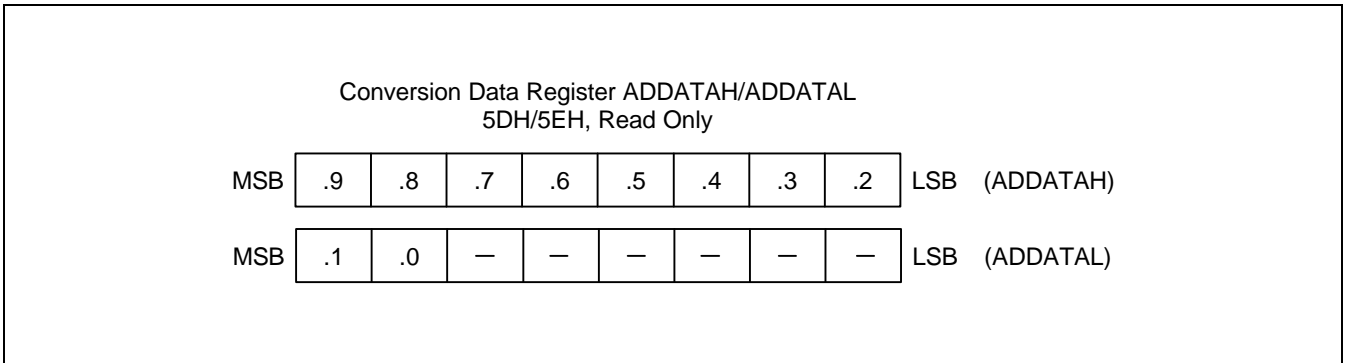


Figure 19-2. A/D Converter Data Register (ADDATAH/ADDATAL)

**INTERNAL REFERENCE VOLTAGE LEVELS**

In the ADC function block, the analog input voltage level is compared to the reference voltage. The analog input level must remain within the range  $AV_{SS}$  to  $AV_{REF}$ .

Different reference voltage levels are generated internally along the resistor tree during the analog conversion process for each conversion step. The reference voltage level for the first conversion bit is always  $1/2 AV_{REF}$ .

**BLOCK DIAGRAM**

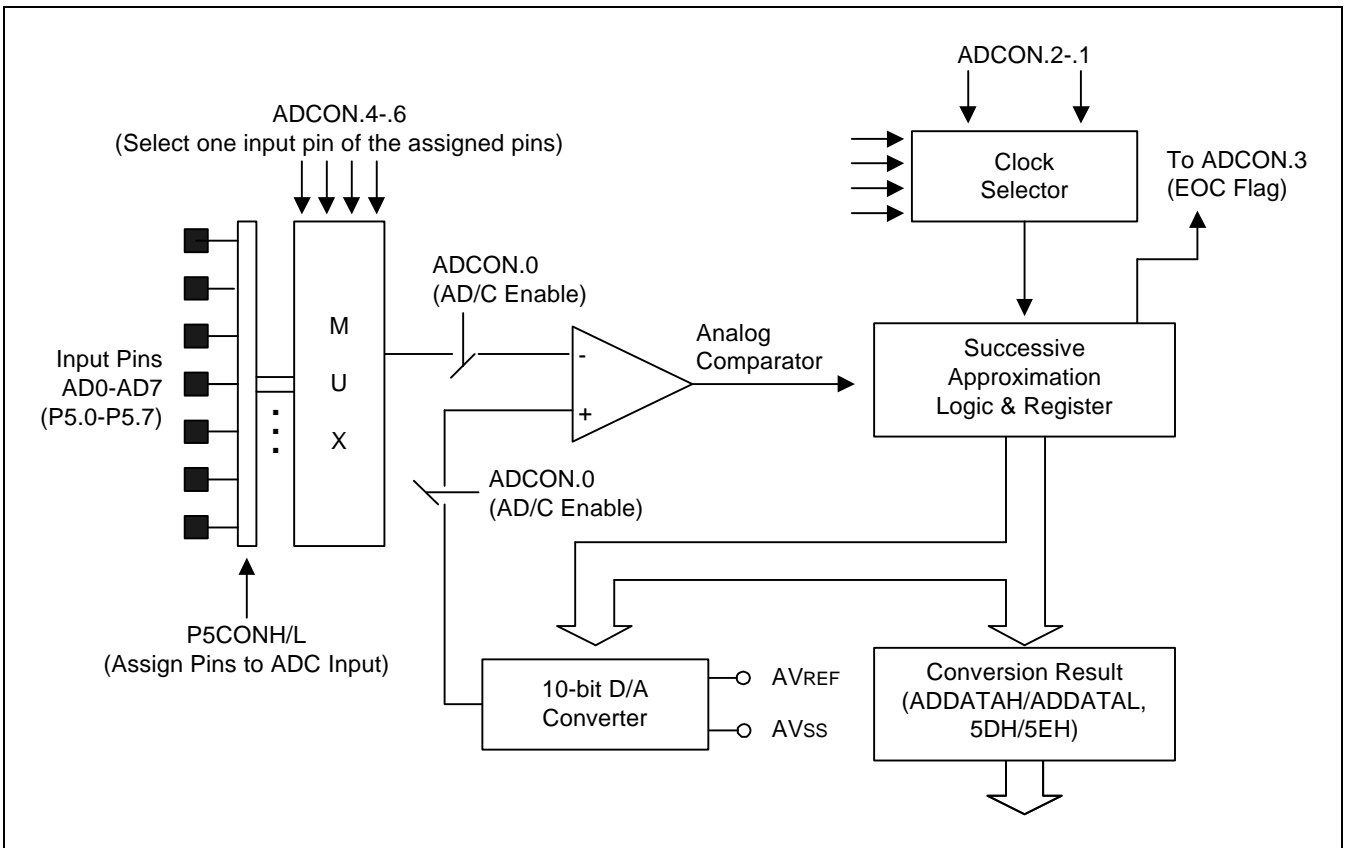


Figure 19-3. A/D Converter Functional Block Diagram

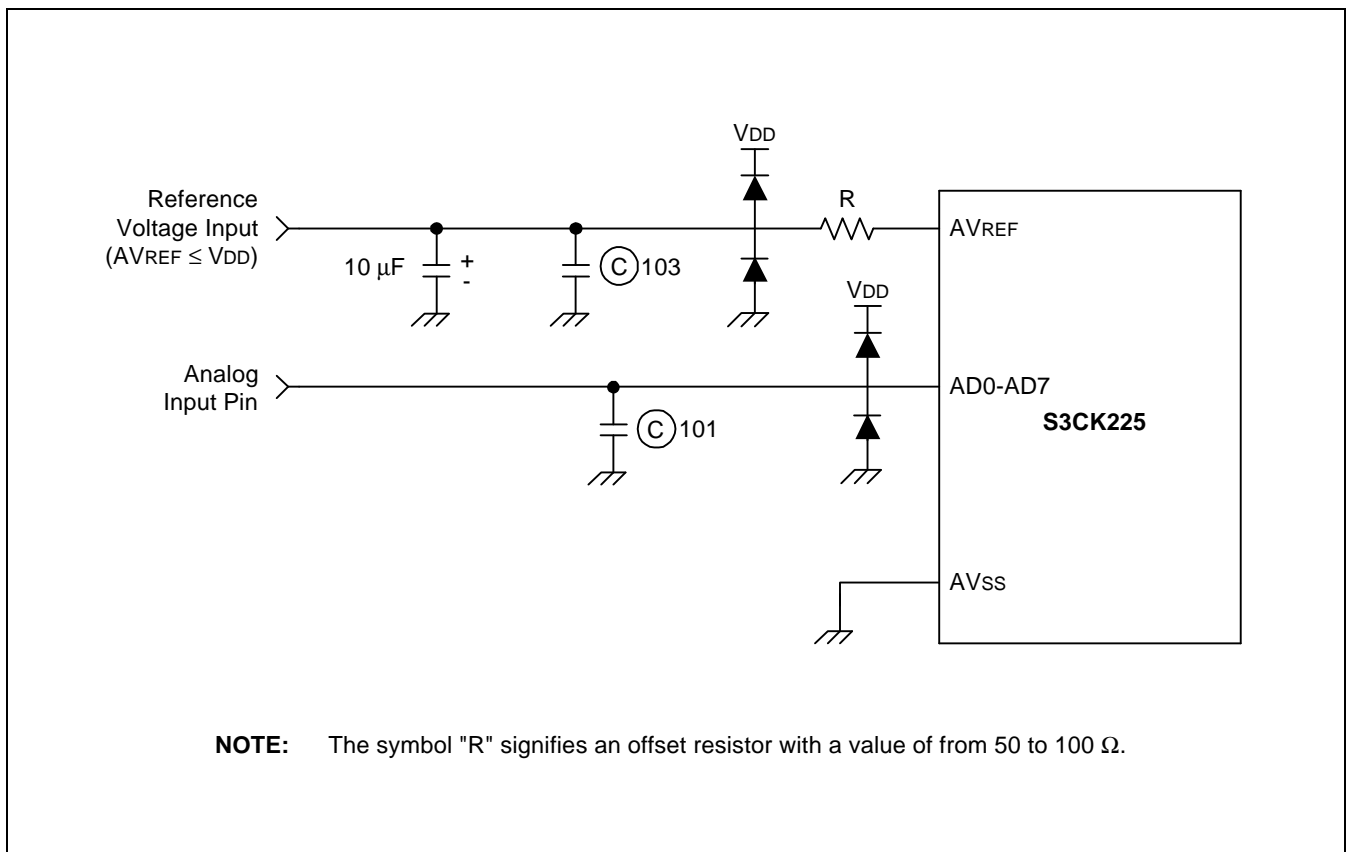


Figure 19-4. Recommended A/D Converter Circuit for Highest Absolute Accuracy

# 20 D/A CONVERTER

## OVERVIEW

The 10-bit D/A Converter (DAC) module uses successive approximation logic to convert 10-bit digital values to equivalent analog levels between  $V_{DD} (1 - \frac{1}{1024})$  and  $V_{SS}$ .

This D/A Converter consists of R–2R array structure. The D/A Converter has the following components:

- R–2R array structure
- Digital-to-analog converter control register (DACON)
- Digital-to-analog converter data register (DADATAAH/DADATAL)
- Digital-to-analog converter output pin (DAO)

## FUNCTION DESCRIPTION

To initiate a digital-to-analog conversion procedure, you should set the digital-to-analog converter enable bit (DACON.0).

The DACON register is located at the RAM address 74H. You should write the digital value calculated to digital-to-analog converter data register (DADATAAH/DADATAL).

### NOTE

If the chip enters to power-down mode, STOP or IDLE, in conversion process, there will be current path in D/A Converter block. So, It is necessary to cut off the current path before the instruction execution enters power-down mode.

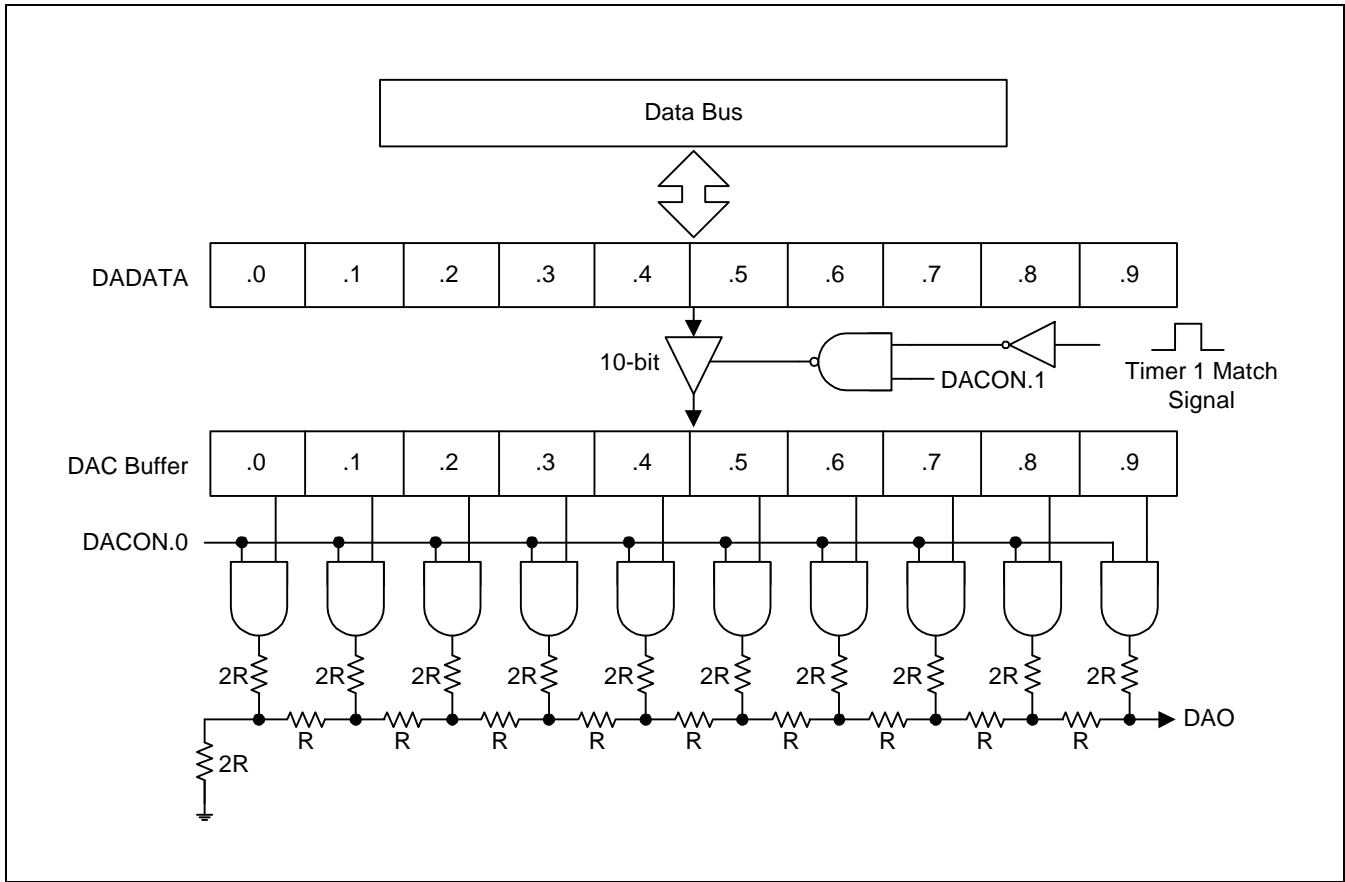


Figure 20-1. DAC Circuit Diagram

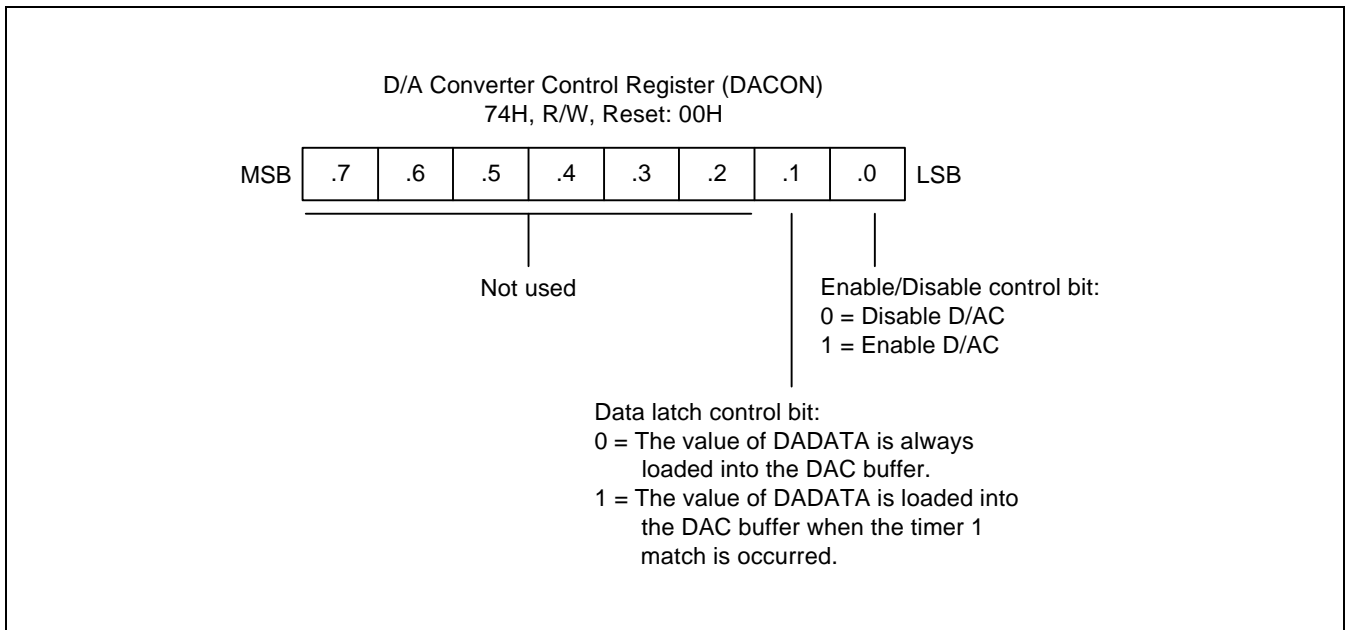


Figure 20-2. Digital to Analog Converter Control Register (DACON)

**D/A CONVERTER DATA REGISTER (DADATAH/DADATAL)**

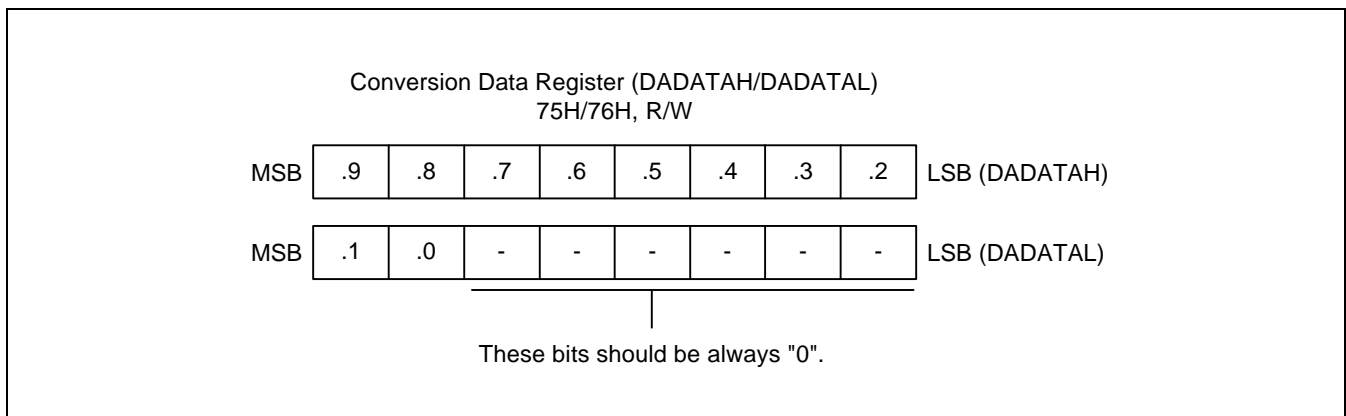
The DAC DATA register, DADATAH/DADATAL is located at the RAM address, 75H–76H. DADATAH/DADATAL specifies the digital data to generate analog voltage. A RESET initializes the DADATAH/DADATAL value to "00H". The D/A converter output value,  $V_{\text{DAO}}$ , is calculated by the following formula.

$$V_{\text{DAO}} = V_{\text{DD}} \times \frac{n}{1024} \quad (n = 0-1023, \text{ DADATAH/DADATAL value})$$

**Table 20-1. DADATA Setting to Generate Analog Voltage**

DADATAH.7	DADATAH.6	DADATAH.5	DADATAH.4	DADATAH.3	DADATAH.2	DADATAH.1	DADATAH.0	DADATAL.7	DADATAL.6	$V_{\text{DAO}}$
0	0	0	0	0	0	0	0	0	0	0
1	0	0	0	0	0	0	0	0	0	$V_{\text{DD}}/2^1$
0	1	0	0	0	0	0	0	0	0	$V_{\text{DD}}/2^2$
0	0	1	0	0	0	0	0	0	0	$V_{\text{DD}}/2^3$
0	0	0	1	0	0	0	0	0	0	$V_{\text{DD}}/2^4$
0	0	0	0	1	0	0	0	0	0	$V_{\text{DD}}/2^5$
0	0	0	0	0	1	0	0	0	0	$V_{\text{DD}}/2^6$
0	0	0	0	0	0	1	0	0	0	$V_{\text{DD}}/2^7$
0	0	0	0	0	0	0	1	0	0	$V_{\text{DD}}/2^8$
0	0	0	0	0	0	0	0	1	0	$V_{\text{DD}}/2^9$
0	0	0	0	0	0	0	0	0	1	$V_{\text{DD}}/2^{10}$

**NOTE:** These are the values determined by setting just one-bit of DADATA.0-DADATA.9. Other values of DAO can be obtained with superimposition.



**Figure 20-3. D/A Converter Data Register (DADATAH/DADATAL)**

# 21 OPERATIONAL AMPLIFIER

## OVERVIEW

There are two OP AMPs in the S3CK225/FK225. One is for filtering out the noise from input signals, the other is for amplifying input signals. These amplifiers can be used for another purpose.

The amplifiers consists of the following components:

- FIL amplifier (FILIN, FILOUT)
- MIC amplifier (MICIN, MICOUT)
- OP AMP control register (OPCON)
- Vref generator

## OP AMP CONTROL REGISTER (OPCON)

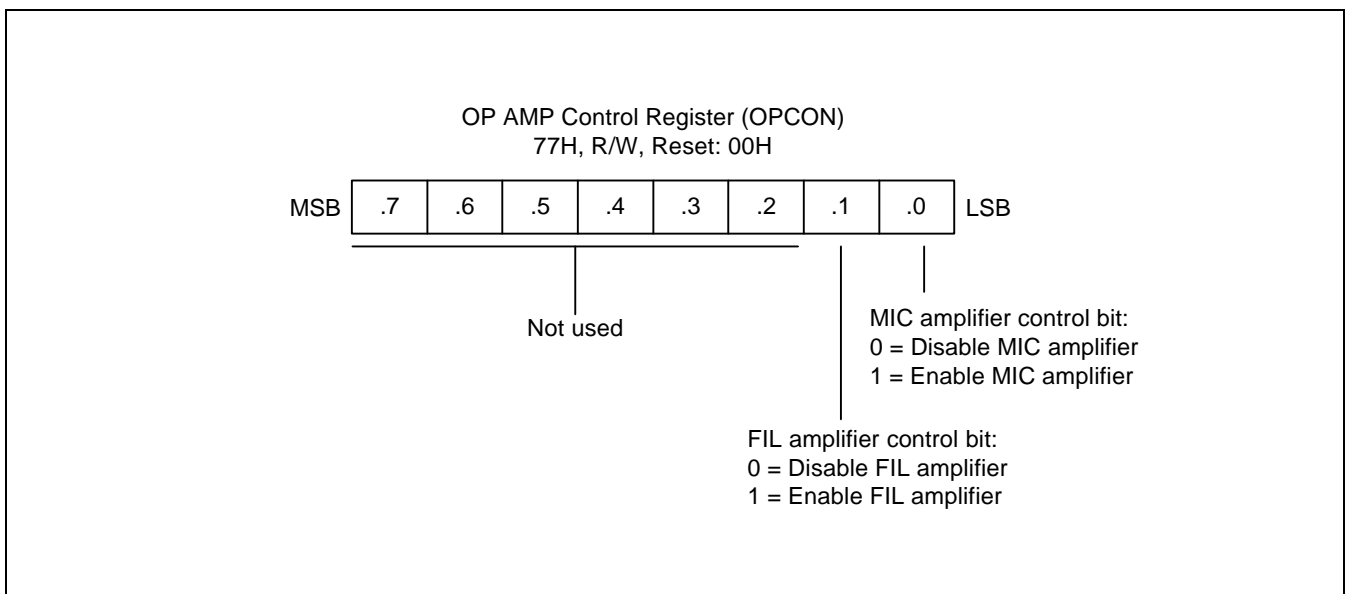


Figure 21-1. OP AMP Control Register (OPCON)

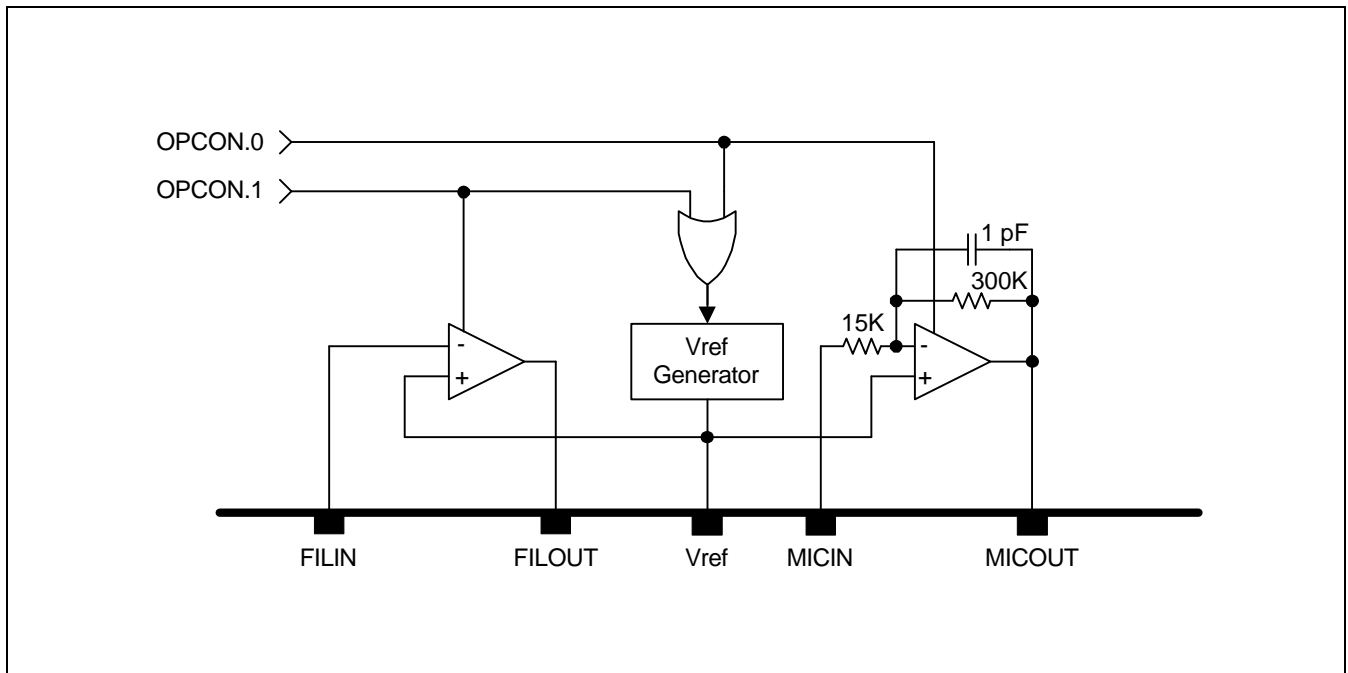


Figure 21-2. OP AMP Block Diagram



# 22

## ELECTRICAL DATA

Table 22-1. Absolute Maximum Ratings

(T<sub>A</sub> = 25 °C)

Parameter	Symbol	Conditions	Rating	Unit
Supply voltage	V <sub>DD</sub>	–	–0.3 to +6.5	V
Input voltage	V <sub>I</sub>	–	–0.3 to V <sub>DD</sub> + 0.3	V
Output voltage	V <sub>O</sub>	–	–0.3 to V <sub>DD</sub> + 0.3	V
Output current high	I <sub>OH</sub>	One I/O pin active	–18	mA
		All I/O pins active	–60	
Output current low	I <sub>OL</sub>	One I/O pin active	+30	mA
		Total pin current for port	+100	
Operating temperature	T <sub>A</sub>	–	–25 to +85	°C
Storage temperature	T <sub>STG</sub>	–	–65 to +150	°C

Table 22-2. D.C. Electrical Characteristics

(T<sub>A</sub> = –25 °C to +85 °C, V<sub>DD</sub> = 2.0 V to 5.5 V)

Parameter	Symbol	Conditions	Min	Typ	Max	Unit
Operating voltage	V <sub>DD</sub>	f <sub>x</sub> = 8 MHz	3.0	–	5.5	V
		f <sub>x</sub> = 4 MHz	2.4	–	5.5	
		f <sub>x</sub> = 2 MHz	2.0	–	5.5	
Input high voltage	V <sub>IH1</sub>	All input pins except V <sub>IH2</sub>	0.8V <sub>DD</sub>	–	V <sub>DD</sub>	V
	V <sub>IH2</sub>	X <sub>IN</sub> , XT <sub>IN</sub>	V <sub>DD</sub> –0.1			
Input low voltage	V <sub>IL1</sub>	All input pins except V <sub>IL2</sub>	–	–	0.2V <sub>DD</sub>	V
	V <sub>IL2</sub>	X <sub>IN</sub> , XT <sub>IN</sub>			0.1	
Output high voltage	V <sub>OH</sub>	V <sub>DD</sub> = 4.5 V to 5.5 V; I <sub>OH</sub> = –1 mA, all output pins	V <sub>DD</sub> –1.0	–	–	V
Output low voltage	V <sub>OL</sub>	V <sub>DD</sub> = 4.5 V to 5.5 V; I <sub>OL</sub> = 10 mA, all output pins	–	–	2.0	

Table 22-2. D.C. Electrical Characteristics (Continued)

(T<sub>A</sub> = -25 °C to +85 °C, V<sub>DD</sub> = 2.0 V to 5.5 V)

Parameter	Symbol	Conditions	Min	Typ	Max	Unit
Input high leakage current	I <sub>LIH1</sub>	V <sub>IN</sub> = V <sub>DD</sub> All input pins except I <sub>LIH2</sub>	-	-	3	uA
	I <sub>LIH2</sub>	V <sub>IN</sub> = V <sub>DD</sub> ; X <sub>IN</sub> , XT <sub>IN</sub>	-	-	20	
Input low leakage current	I <sub>LIL1</sub>	V <sub>IN</sub> = 0 V All input pins except I <sub>LIL2</sub>	-	-	-3	
	I <sub>LIL2</sub>	V <sub>IN</sub> = 0 V; X <sub>IN</sub> , XT <sub>IN</sub> , RESET			-20	
Output high leakage current	I <sub>LOH</sub>	V <sub>OUT</sub> = V <sub>DD</sub> All I/O pins and output pins	-	-	3	
Output low leakage current	I <sub>LOL</sub>	V <sub>OUT</sub> = 0 V All I/O pins and output pins	-	-	-3	
Oscillator feedback resistors	R <sub>OSC1</sub>	V <sub>DD</sub> = 5.0 V, T <sub>A</sub> = 25 °C X <sub>IN</sub> = VDD, X <sub>OUT</sub> = 0 V	400	750	1200	kΩ
	R <sub>OSC2</sub>	V <sub>DD</sub> = 5.0 V, T <sub>A</sub> = 25 °C XT <sub>IN</sub> = VDD, XT <sub>OUT</sub> = 0 V	1500	3000	4500	
Pull-up resistor	R <sub>L1</sub>	V <sub>IN</sub> = 0 V; V <sub>DD</sub> = 5 V ± 10% Port 0-7, T <sub>A</sub> = 25 °C	25	50	100	
	R <sub>L2</sub>	V <sub>IN</sub> = 0 V; V <sub>DD</sub> = 3 V ± 10% T <sub>A</sub> = 25 °C, RESET only	110	210	310	
LCD voltage dividing resistor	R <sub>LCD</sub>	T <sub>A</sub> = 25 °C	60	100	140	
VLC1 output voltage	V <sub>LC1</sub>	T <sub>A</sub> = 25 °C V <sub>LCD</sub> = 2.5 V to 5.5 V	2/3V <sub>DD</sub> - 0.2V	2/3V <sub>DD</sub>	2/3V <sub>DD</sub> +0.2V	V
VLC0 output voltage	V <sub>LC0</sub>	1/3 bias	1/3V <sub>DD</sub> - 0.2V	1/3V <sub>DD</sub>	1/3V <sub>DD</sub> +0.2V	
COM output voltage deviation	V <sub>DC</sub>	V <sub>DD</sub> = V <sub>LC2</sub> = 3V (VLCD-COMi) I <sub>O</sub> = ± 15μA, (i = 0-3)	-	± 60	± 120	mV
SEG output voltage deviation	V <sub>DS</sub>	V <sub>DD</sub> = V <sub>LC2</sub> = 3V (VLCD-SEGi) I <sub>O</sub> = ± 15μA, (i = 0-31)	-	± 60	± 120	

Table 22-2. D.C. Electrical Characteristics (Concluded)

(T<sub>A</sub> = -25 °C to +85 °C, V<sub>DD</sub> = 2.0 V to 5.5 V)

Parameter	Symbol	Conditions	Min	Typ	Max	Unit		
Supply current (1)	I <sub>DD1</sub> (2)	V <sub>DD</sub> = 5 V ± 10% 8 MHz crystal oscillator	-	5.0	10	mA		
		2 MHz crystal oscillator		1.5	3			
		V <sub>DD</sub> = 3 V ± 10% 8 MHz crystal oscillator		3.0	6.0			
		2 MHz crystal oscillator		1.1	2.0			
	I <sub>DD2</sub>	Idle mode: V <sub>DD</sub> = 5 V ± 10% 8 MHz crystal oscillator	-	1.0	2.0	mA		
							2 MHz crystal oscillator	0.5
		Idle mode: V <sub>DD</sub> = 3 V ± 10% 8 MHz crystal oscillator					0.5	1.0
							2 MHz crystal oscillator	0.3
	I <sub>DD3</sub>	Sub operating mode: main-osc stop V <sub>DD</sub> = 3 V ± 10 % 32768 Hz crystal oscillator	-	20	40	uA		
	I <sub>DD4</sub>	Sub-idle mode; main-osc stop V <sub>DD</sub> = 3 V ± 10 % 32768 Hz crystal oscillator	-	6	15			
	I <sub>DD5</sub>	Main stop mode; Sub-osc stop. V <sub>DD</sub> = 5 V ± 10 %, T <sub>A</sub> = 25 °C	-		1	3		
		V <sub>DD</sub> = 3 V ± 10 %, T <sub>A</sub> = 25 °C			0.5	2		

**NOTES:**

- Supply current does not include current drawn through internal pull-up resistors or external output current loads.
- I<sub>DD1</sub> and I<sub>DD2</sub> includes a power consumption of sub oscillator.
- I<sub>DD3</sub> and I<sub>DD4</sub> are the current when the main clock oscillation stop and the sub clock is used, and does not include LCD voltage dividing resistors.
- I<sub>DD5</sub> is the current when the main and sub clock oscillation stop.

Table 22-3. A.C. Electrical Characteristics

(T<sub>A</sub> = -25 °C to +85 °C, V<sub>DD</sub> = 2.0 V to 5.5 V)

Parameter	Symbol	Conditions	Min	Typ	Max	Unit
Interrupt input high, low width	t <sub>INTH</sub> , t <sub>INTL</sub>	P0.0–P0.3 V <sub>DD</sub> = 5 V	–	200	–	ns
RESET input low width	t <sub>RSL</sub>	V <sub>DD</sub> = 5 V ± 10 %	10	–	–	μs

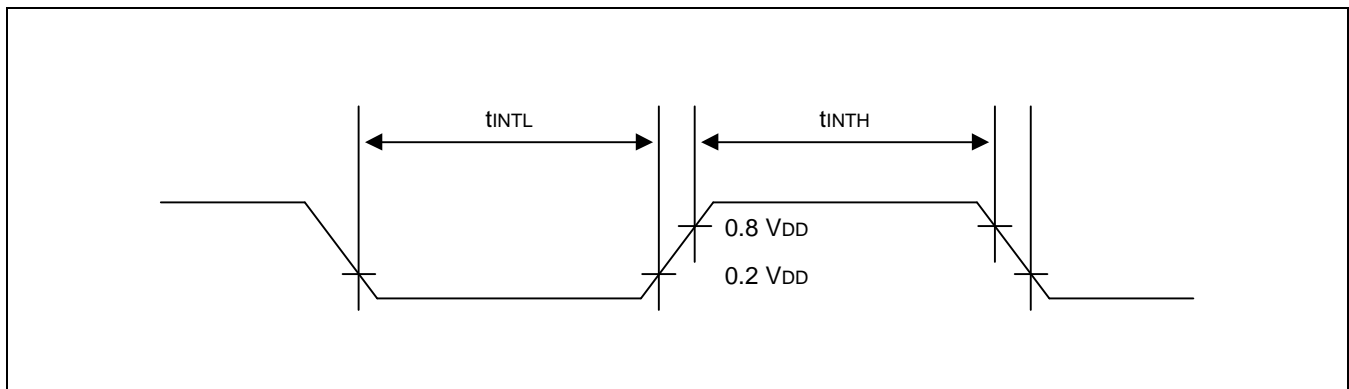


Figure 22-1. Input Timing for External Interrupts (Port 0)

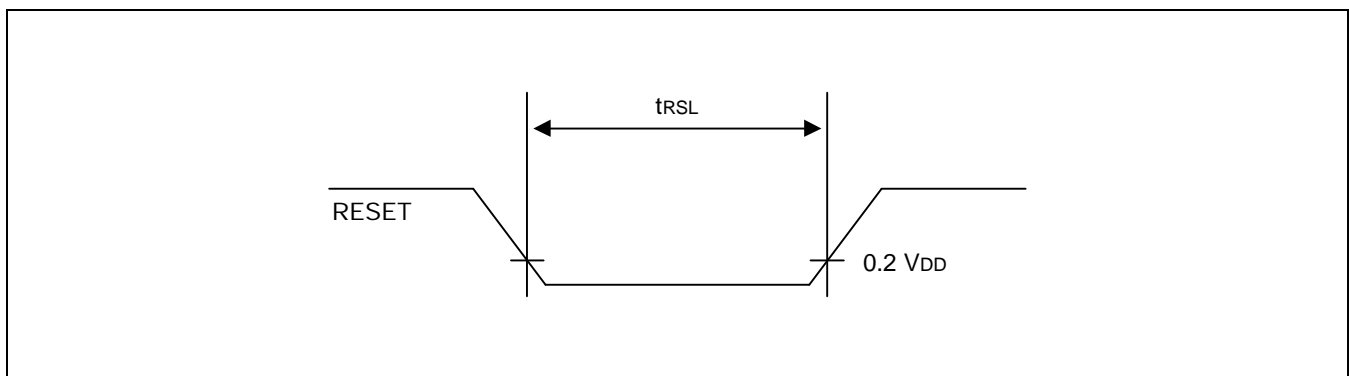


Figure 22-2. Input Timing for RESET

**Table 22-4. Input/Output Capacitance**

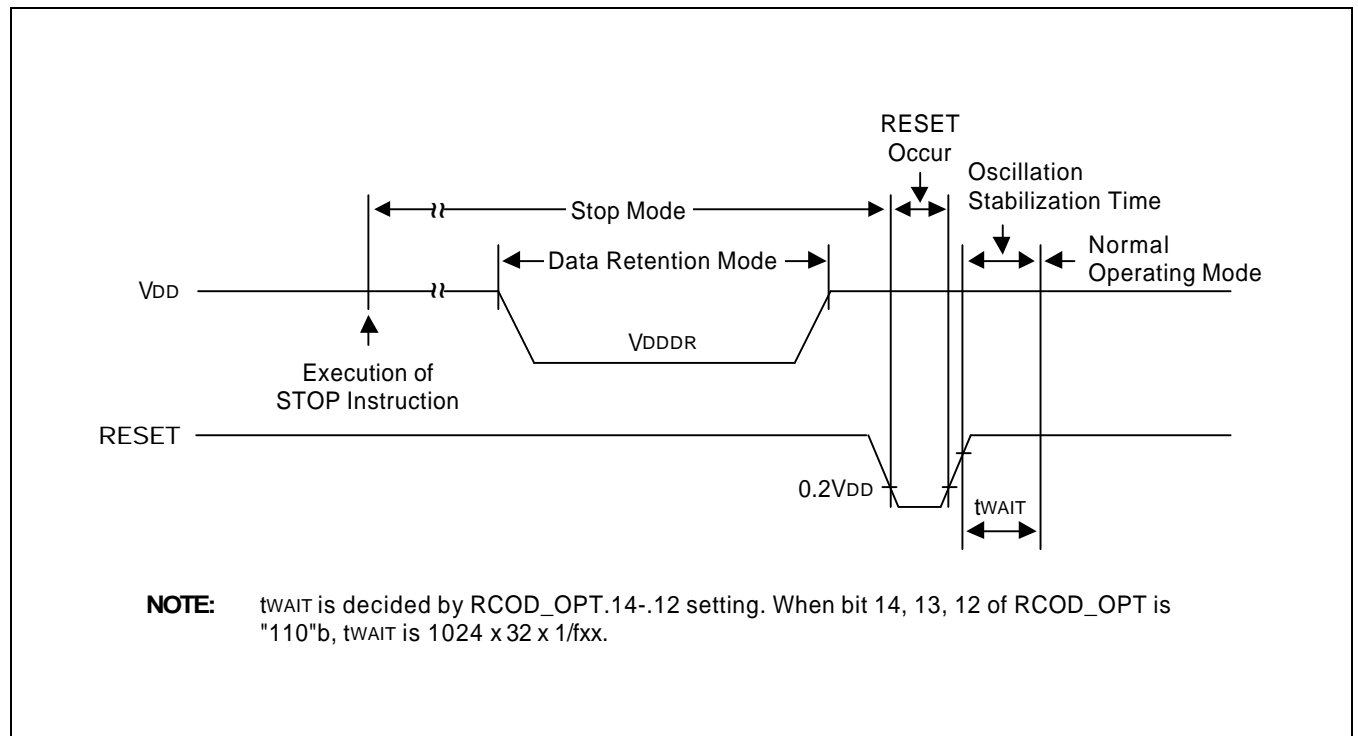
( $T_A = -25\text{ }^\circ\text{C}$  to  $+85\text{ }^\circ\text{C}$ ,  $V_{DD} = 0\text{ V}$ )

Parameter	Symbol	Conditions	Min	Typ	Max	Unit
Input capacitance	$C_{IN}$	$f = 1\text{ MHz}$ ; unmeasured pins are returned to $V_{SS}$ .	-	-	10	pF
Output capacitance	$C_{OUT}$					
I/O capacitance	$C_{IO}$					

**Table 22-5. Data Retention Supply Voltage in Stop Mode**

( $T_A = -25\text{ }^\circ\text{C}$  to  $+85\text{ }^\circ\text{C}$ )

Parameter	Symbol	Conditions	Min	Typ	Max	Unit
Data retention supply voltage	$V_{DDDR}$	-	2	-	5.5	V
Data retention supply current	$I_{DDDR}$	$V_{DDDR} = 2\text{ V}$	-	-	2	uA



**Figure 22-3. Stop Mode Release Timing When Initiated by a RESET**

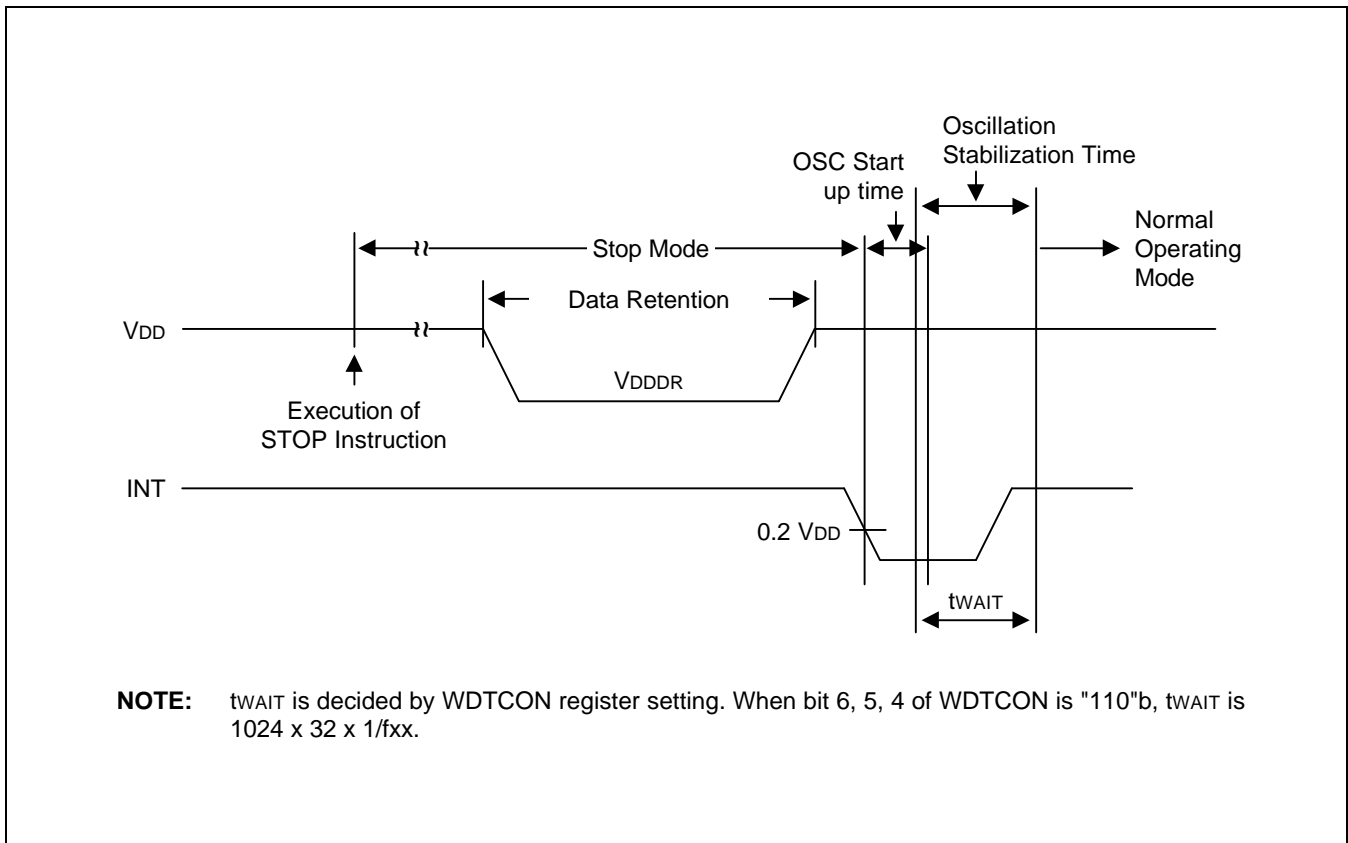


Figure 22-4. Stop Mode Release Timing Initiated by Interrupts

Table 22-6. A/D Converter Electrical Characteristics

(T<sub>A</sub> = -25 °C to 85 °C, V<sub>DD</sub> = 2.7 V to 5.5 V, V<sub>SS</sub> = 0 V)

Parameter	Symbol	Conditions	Min	Typ	Max	Unit
Resolution			–	10	–	bit
Total accuracy		V <sub>DD</sub> = 5.12 V	–	–	±3	LSB
Integral linearity error	ILE	AV <sub>REF</sub> = 5.12 V		–	±2	
Differential linearity error	DLE	AV <sub>SS</sub> = 0 V		–	±2	
Offset error of top	EOT	f <sub>xx</sub> = 8MHz		±1	±3	
Offset error of bottom	EOB	f <sub>CON</sub> = f <sub>xx</sub> /4		±0.5	±2	
Conversion time <sup>(1)</sup>	T <sub>CON</sub>	10-bit resolution 50 × f <sub>xx</sub> /4, f <sub>xx</sub> = 8MHz	25	–	–	μs
Analog input voltage	V <sub>IAN</sub>	–	AV <sub>SS</sub>	–	AV <sub>REF</sub>	V
Analog input impedance	R <sub>AN</sub>	–	2	–	–	MΩ
Analog reference voltage	AV <sub>REF</sub>	–	2.5	–	V <sub>DD</sub>	V
Analog ground	AV <sub>SS</sub>	–	V <sub>SS</sub>	–	V <sub>SS</sub> +0.3	
Analog input current	I <sub>ADIN</sub>	AV <sub>REF</sub> = V <sub>DD</sub> = 5 V	–	–	10	μA
Analog block current <sup>(2)</sup>	I <sub>ADC</sub>	AV <sub>REF</sub> = V <sub>DD</sub> = 5 V	–	1	3	mA
		AV <sub>REF</sub> = V <sub>DD</sub> = 3 V		0.5	1.5	
		AV <sub>REF</sub> = V <sub>DD</sub> = 5 V When power down mode		100	500	nA

**NOTES:**

- 'Conversion time' is the period between start and end of conversion operation.
- I<sub>ADC</sub> is an operating current during A/D conversion.

Table 22-7. D/A Converter Electrical Characteristics

(T<sub>A</sub> = -25 °C to 85 °C, V<sub>DD</sub> = 2.7 V to 5.5 V, V<sub>SS</sub> = 0 V)

Parameter	Symbol	Conditions	Min	Typ	Max	Unit
Resolution	–	V <sub>DD</sub> = 5.12 V	–	–	10	bits
Absolute accuracy	–		-3	–	3	LSB
Differential linearity error	DLE		-1	–	1	LSB
Setup time	t <sub>SU</sub>		–	–	5	μs
Output resistance	R <sub>O</sub>		20	30	40	KΩ

Table 22-8. Synchronous SIO Electrical Characteristics

( $T_A = -25\text{ }^\circ\text{C}$  to  $+85\text{ }^\circ\text{C}$ ,  $V_{DD} = 2.0\text{ V}$  to  $5.5\text{ V}$ ,  $V_{SS} = 0\text{ V}$ ,  $f_{xx} = 8\text{ MHz}$  oscillator)

Parameter	Symbol	Conditions	Min	Typ	Max	Unit
SCK Cycle time	$T_{CYC}$	–	250	–	–	ns
Serial Clock High Width	$T_{SCKH}$	–	75	–	–	
Serial Clock Low Width	$T_{SCKL}$	–	75	–	–	
Serial Output data delay time	$T_{OD}$	–	–	–	65	
Serial Input data setup time	$T_{ID}$	–	50	–	–	
Serial Input data Hold time	$T_{IH}$	–	125	–	–	

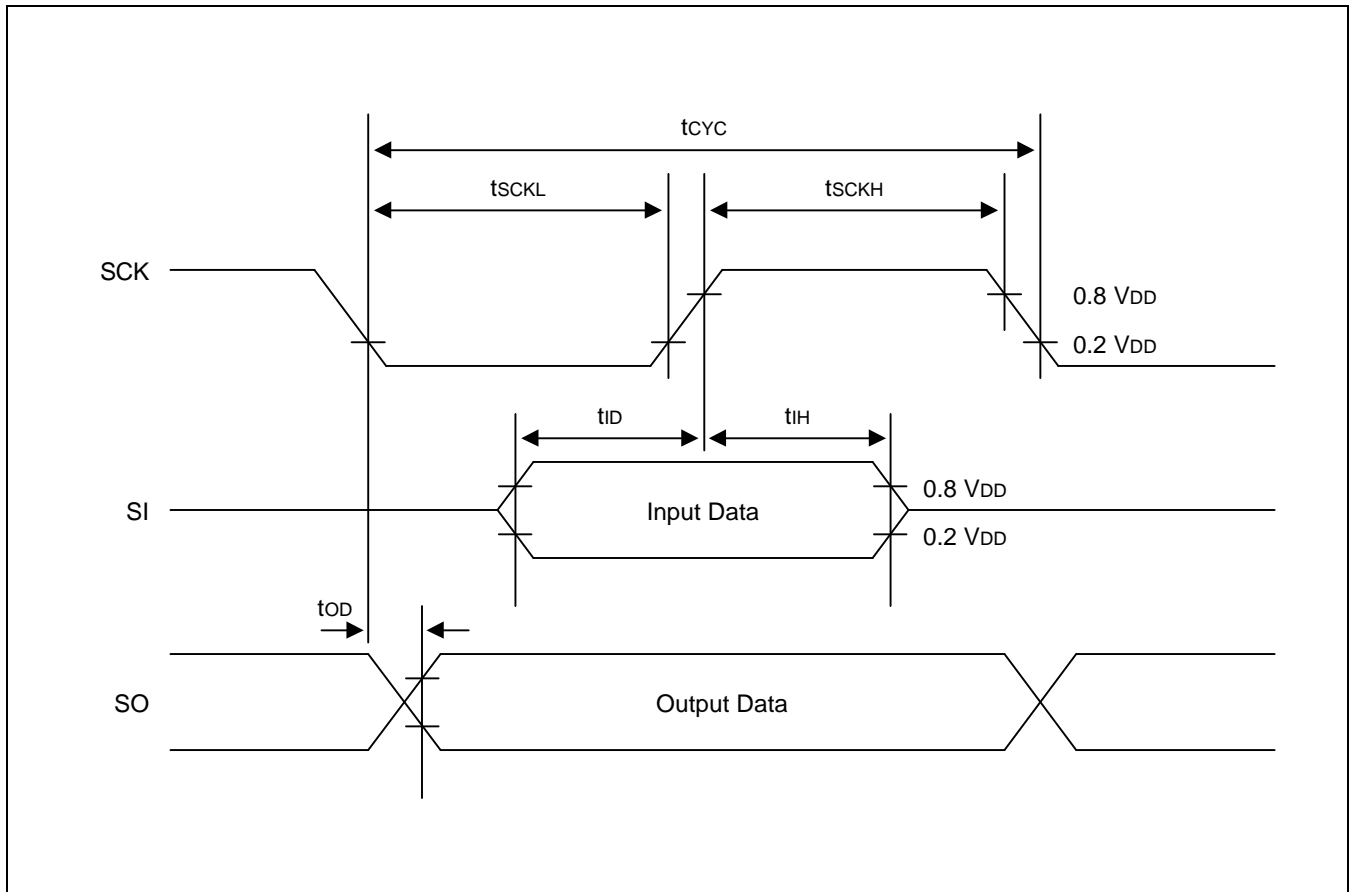
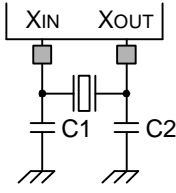
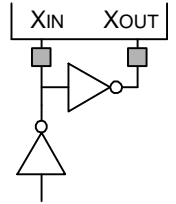
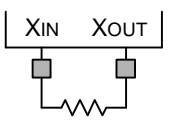


Figure 22-5. Serial Data Transfer Timing



Table 22-9. Main Oscillator Frequency ( $f_{OSC1}$ )

( $T_A = -25\text{ }^\circ\text{C}$  to  $+85\text{ }^\circ\text{C}$ ,  $V_{DD} = 2.0\text{ V}$  to  $5.5\text{ V}$ )

Oscillator	Clock Circuit	Test Condition	Min	Typ	Max	Unit
Crystal/Ceramic		$V_{DD} = 2.0\text{ V} - 5.5\text{ V}$	0.4	-	2.0	MHz
		$V_{DD} = 2.4\text{ V} - 5.5\text{ V}$			4.0	
		$V_{DD} = 3.0\text{ V} - 5.5\text{ V}$			8.0	
External clock		$V_{DD} = 2.0\text{ V} - 5.5\text{ V}$	0.4	-	2.0	MHz
		$V_{DD} = 2.4\text{ V} - 5.5\text{ V}$			4.0	
		$V_{DD} = 3.0\text{ V} - 5.5\text{ V}$			8.0	
RC		$V_{DD} = 5\text{ V}$	0.4	-	1	MHz
		$V_{DD} = 3\text{ V}$			2	

**NOTE:** Oscillation frequency and X<sub>in</sub> input frequency data are for oscillator characteristics only.

Table 22-10. Main Oscillator Clock Stabilization Time ( $T_{ST1}$ )

( $T_A = -25\text{ }^\circ\text{C}$  to  $+85\text{ }^\circ\text{C}$ ,  $V_{DD} = 2.0\text{ V}$  to  $5.5\text{ V}$ )

Oscillator	Test Condition	Min	Typ	Max	Unit
Crystal	$V_{DD} = 4.5\text{ V}$ to $5.5\text{ V}$	-	-	10	ms
	$V_{DD} = 2.0\text{ V}$ to $5.5\text{ V}$	-	-	30	ms
Ceramic	$V_{DD} = 2.0\text{ V}$ to $5.5\text{ V}$	-	-	4	ms
External clock	X <sub>IN</sub> input high and low level width ( $t_{XH}$ , $t_{XL}$ )	62.5ns	-	125 $\mu$ s	-

**NOTE:** Oscillation stabilization time ( $T_{ST1}$ ) is the time required for the CPU clock to return to its normal oscillation frequency after a power-on occurs, or when Stop mode is ended by a RESET signal.

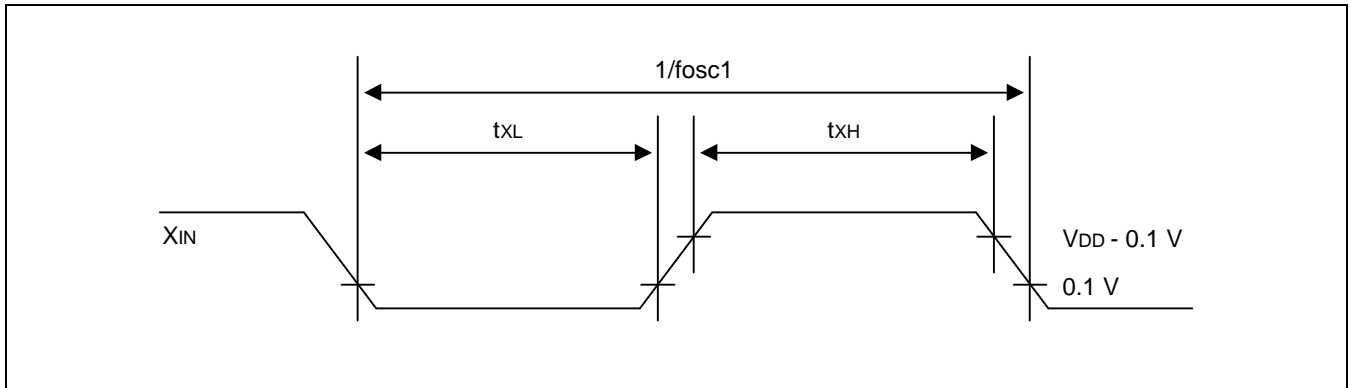


Figure 22-6. Clock Timing Measurement at X<sub>IN</sub>

Table 22-11. Sub Oscillator Frequency (f<sub>osc2</sub>)

(T<sub>A</sub> = -25 °C to +85 °C, V<sub>DD</sub> = 2.0 V to 5.5 V)

Oscillator	Clock Circuit	Test Condition	Min	Typ	Max	Unit
Crystal		-	32	32.768	35	kHz
External clock		-	32	-	100	kHz

**NOTE:** Oscillation frequency and Xtin input frequency data are for oscillator characteristics only.

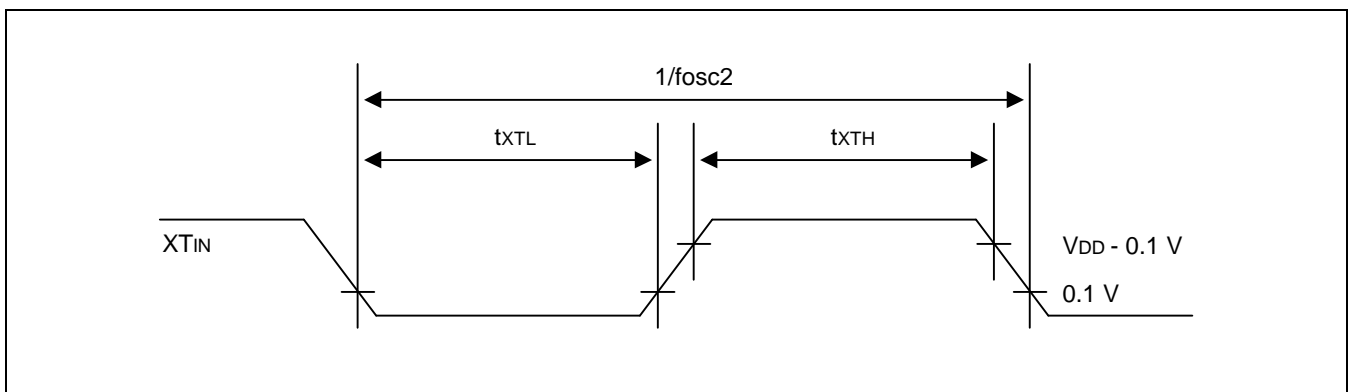


Figure 22-7. Clock Timing Measurement at XT<sub>IN</sub>

**Table 22-12. Sub Oscillator (Crystal) Start up Time ( $t_{ST2}$ )**

( $T_A = -25\text{ }^{\circ}\text{C}$  to  $+85\text{ }^{\circ}\text{C}$ ,  $V_{DD} = 2.0\text{ V}$  to  $5.5\text{ V}$ )

Oscillator	Test Condition	Min	Typ	Max	Unit
Normal drive	$V_{DD} = 4.5\text{ V}$ to $5.5\text{ V}$	–	1	2	sec
	$V_{DD} = 2.0\text{ V}$ to $5.5\text{ V}$	–	–	10	
External clock	$XT_{IN}$ input high and low level width ( $t_{XTH}$ , $t_{XTL}$ )	5	–	15	$\mu\text{s}$

**NOTE:** Oscillator stabilization time ( $t_{ST2}$ ) is the time required for the oscillator to it's normal oscillation when stop mode is released by interrupts.

**Table 22-13. OP Amplifier Characteristics**

( $V_{DD} = 5\text{ V}$ ,  $T_A = 25\text{ }^{\circ}\text{C}$ )

Oscillator	Symbol	Test Condition	Min	Typ	Max	Unit
Input voltage range	V <sub>in</sub>	f <sub>in</sub> = 1 kHz	–	120	160	mVpp
Total harmonic distortion	THD	f <sub>in</sub> = 100 Hz – 10 kHz	–	–	2	%
Input impedance	R <sub>in</sub>	MICIN input impedance	10	15	20	K $\Omega$
Output impedance	R <sub>out</sub>	MICIN output impedance	–	5	–	K $\Omega$

**NOTE:** FILIN and FILOUT are the same as MICIN and MICOUT in characteristics at the same condition.

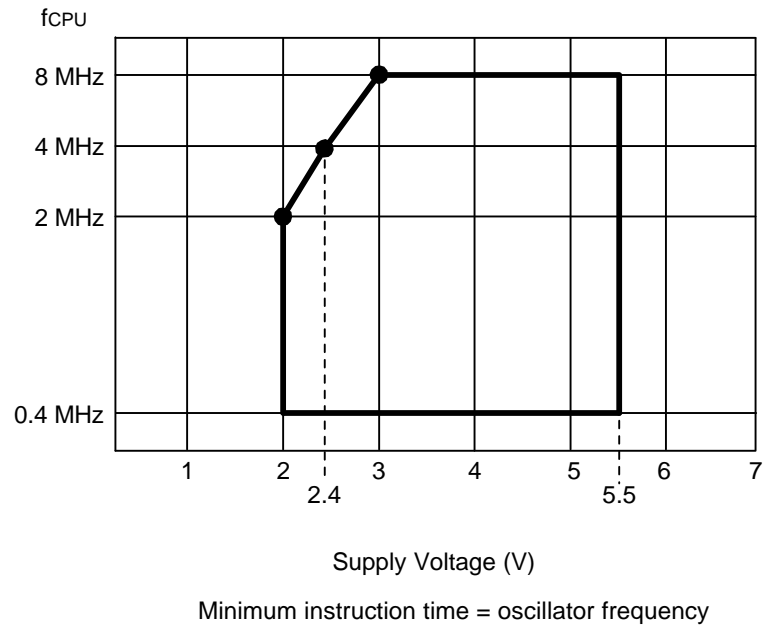


Figure 22-8. Operating Voltage Range

# 23 MECHANICAL DATA

## OVERVIEW

The S3CK225/FK225 is available in 64-QFP-1420F package.

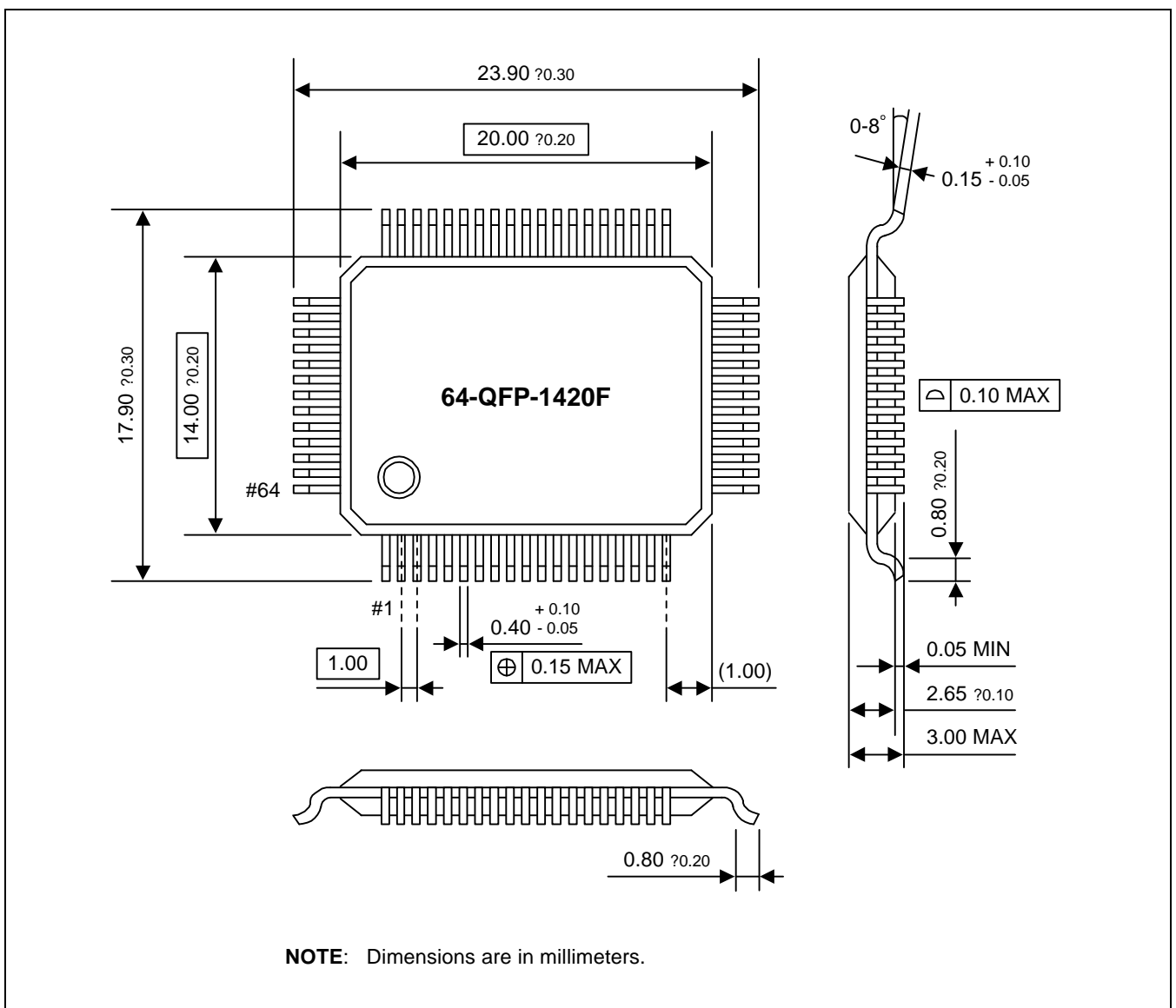


Figure 23-1. 64-Pin QFP Package Dimensions (64-QFP-1420F)

NOTES

# 24

## S3FK225 FLASH MCU

### OVERVIEW

The S3FK225 single-chip CMOS microcontroller is the FLASH ROM version of the S3CK225 microcontroller. It has an on-chip FLASH ROM instead of masked ROM. The FLASH ROM is accessed by serial data formats.

The S3FK225 is fully compatible with S3CK225, both in function and in electrical characteristics. Because of its simple programming requirements, the S3FK225 is ideal for use as an evaluation for the S3CK225.

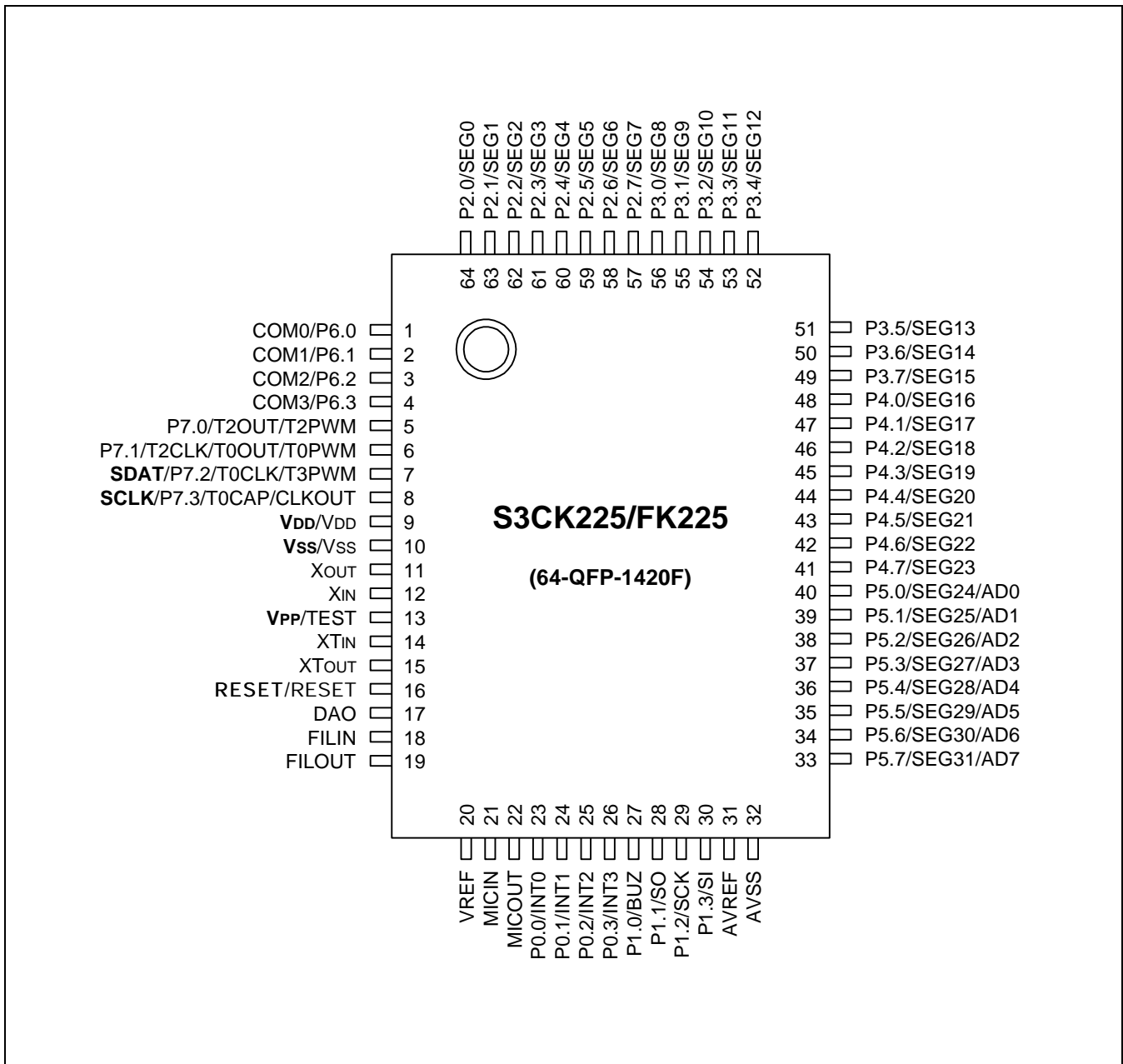


Figure 24-1. S3FK225 Pin Assignments (64-QFP-1420F)



Table 24-1. Descriptions of Pins Used to Read/Write the FLASH ROM

During Programming			
Pin Name	Pin No.	I/O	Function
SDAT (P7.2)	7	I/O	Serial data pin. Output port when reading and input port when writing. Can be assigned as a Input/push-pull output port.
SCLK (P7.3)	8	I/O	Serial clock pin. Input only pin.
V <sub>PP</sub> (TEST)	13	I	Power supply pin for FLASH ROM cell writing (indicates that FLASH enters into the writing mode). When 12.5 V is applied, FLASH is in writing mode and when 5 V is applied, FLASH is in reading mode. When FLASH is operating, hold GND.
RESET (RESET)	16	I	Chip initialization
V <sub>DD</sub> /V <sub>SS</sub> (V <sub>DD</sub> /V <sub>SS</sub> )	9/10	I	Logic power supply pin. V <sub>DD</sub> should be tied to +5 V during programming.

**NOTE:** Maximum number of writing/erasing for S3FK225 is 100 times.

## NOTES

# 25 DEVELOPMENT TOOLS

## OVERVIEW

Samsung provides a powerful and easy-to-use development support system in turnkey form. The development support system is configured with a host system, debugging tools, and support software. For the host system, any standard computer that operates with windows95/98/NT as its operating system can be used. One type of debugging tool including hardware and software is provided: the effective cost and powerful in-circuit emulator, InvisibleMDS, for CalmRISC8. Samsung also offers support software that includes debugger, Compiler, Assembler, and a program for setting options.

### **CALMSHINE: IDE (INTEGRATED DEVELOPMENT ENVIRONMENT)**

CalmRISC8 Samsung Host Interface for In-circuit Emulator, CalmSHINE, is a multi window based debugger for CalmRISC8. CalmSHINE provides pull-down, pop-up and tool-bar menus, mouse support, function/hot keys, syntax highlight, tool-tip, drag-and-drop and context-sensitive hyper-linked help. It has an advanced, multiple-windowed user interface that emphasizes ease of use. Each window can be sized, moved, scrolled, highlighted, added or removed, docked or undocked completely.

### **INVISIBLE MDS: IN-CIRCUIT EMULATOR**

The evaluation chip of CalmRISC8 has a basic debugging utility block. Using this block, evaluation chip directly interfaces with host through only communication wire. So, InvisibleMDS offers simple and powerful debugging environment.

### **CALMRISC8 C-COMPILER: CALM8CC**

The CalmRISC8 Compiler offers the standard features of the C language, plus many extensions for MCU applications, such as interrupt handling in C and data placement controls, designed to take fully advantage of CalmRISC8 facilities. It conforms to the ANSI specification. It supports standard library of functions applicable to MCU systems. The standard library also conforms to the ANSI standard. It generates highly size-optimized code for CalmRISC8 by fully utilizing CalmRISC8 architecture. It is available in a Windows version integrated with the CalmSHINE.

### **CALMRISC8 RELOCATABLE ASSEMBLER: CALM8ASM**

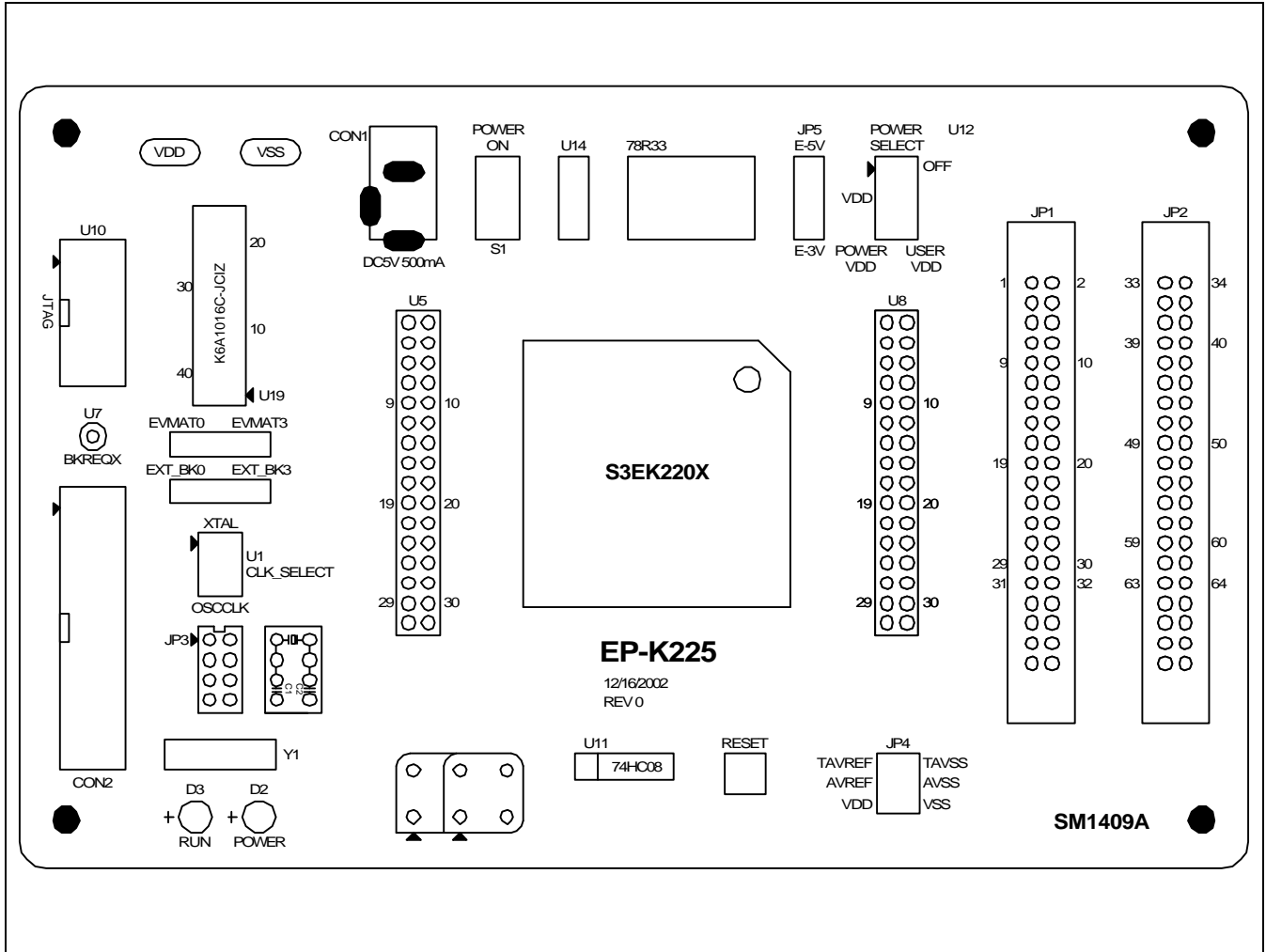
The CalmRISC8 Assembler is a relocatable assembler for Samsung's CalmRISC8 MCU and its MAC816 and MAC2424 coprocessors. It translates a source file containing assembly language statements into a relocatable machine object code file in Samsung format. It runs on WINDOWS95 compatible operating systems. It supports macros and conditional assembly. It produces the relocatable object code only, so the user should link object files. Object files can be linked with other object files and loaded into memory.

### **CALMRISC8 LINKER: CALM8LINK**

The CalmRISC8 Linker combines Samsung object format files and library files and generates absolute, machine-code executable hex programs or binary files for CalmRISC8 MCU and its MAC816 and MAC2424 coprocessors. It generates the map file, which shows the physical addresses to which each section and symbol is bounded, start addresses of each section and symbol, and size of them. It runs on WINDOWS95 compatible operating

systems.

**EMULATION PROBE BOARD CONFIGURATION**



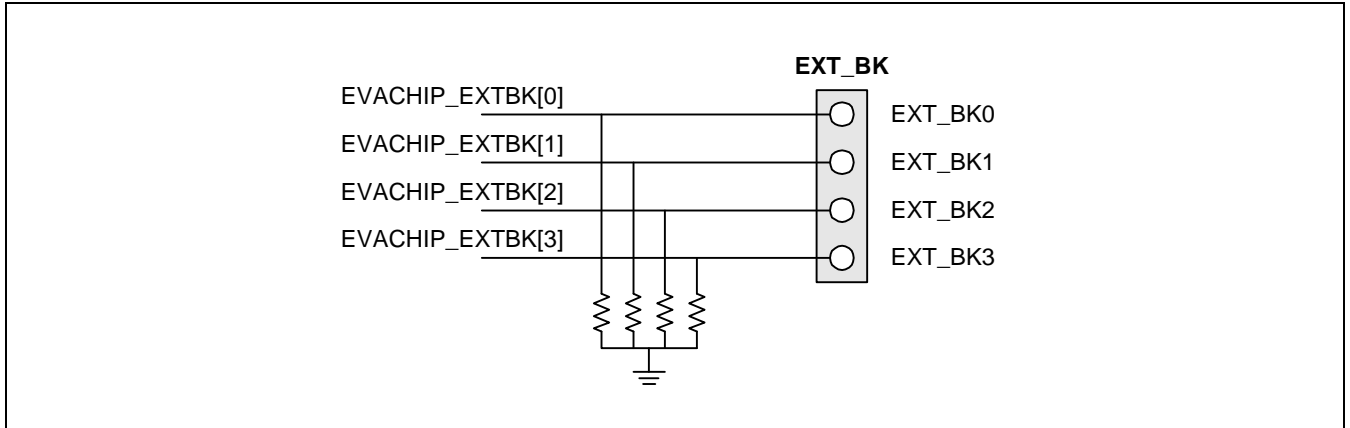
**Figure 25-1. Emulation Probe Board Configuration**

**Invisible MDS Connector = 10-pin/normal Pitch (2.54mm) = JTAG**

Pin No.	Pin Name	Pin No.	Pin Name
1	V <sub>DD</sub>	6	PTD0_TxD
2	PNTRST_NINIT	7	GND
3	PTCK_MCLK	8	UCLK
4	PTMS	9	JTAGSEL
5	PTDI_RxD	10	-

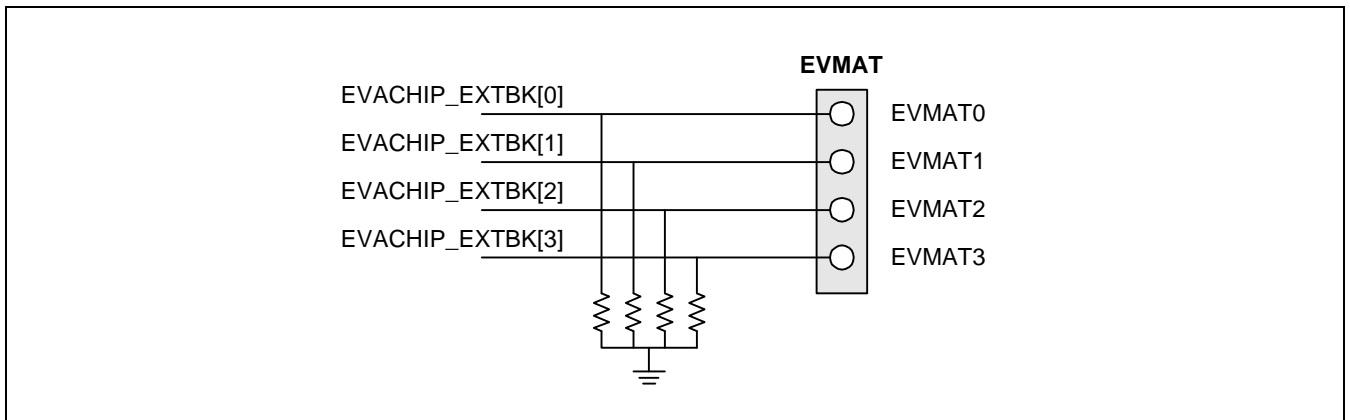
### EXTERNAL EVENT INPUT HEADERS

These input headers are used to add the break condition to the core status externally when the break using CalmBreaker occurs in the evaluation chip.



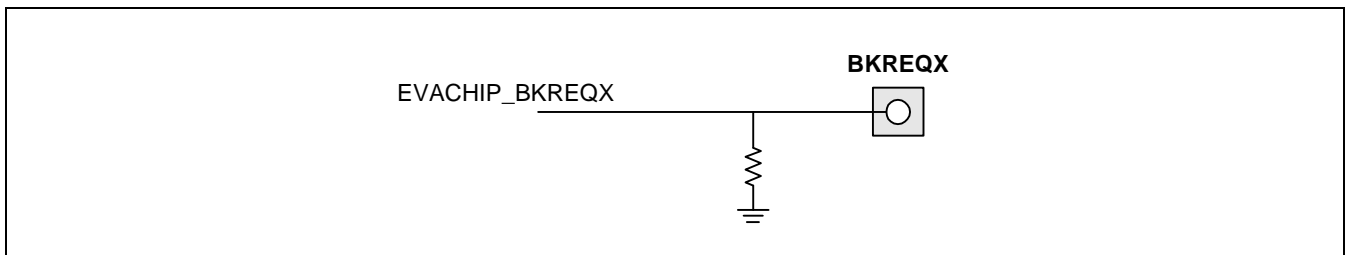
### EVENT MATCH OUTPUT HEADERS

Four event match signals and one combination event signal are occurred by the CalmBreaker in the evaluation chip. These signals are transmitted through the evaluation chip.

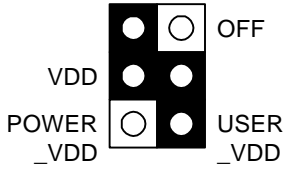
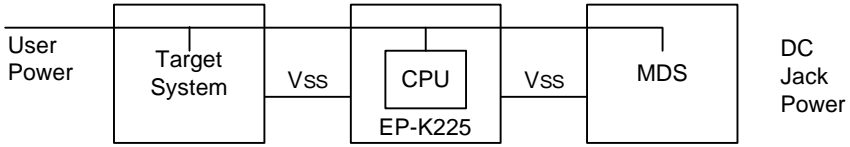
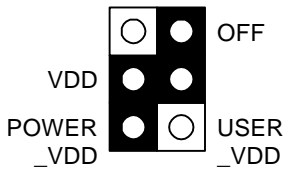
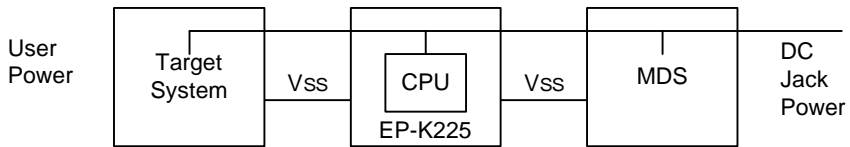


### EXTERNAL BREAK INPUT HEADERS (U7)

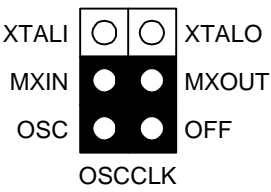
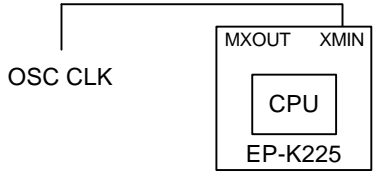
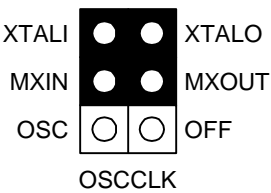
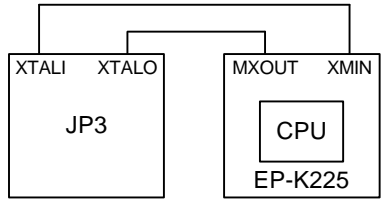
This input pin is used to break during the evaluation chip run.



**POWER SELECTION**

U12 State	Description
<p>POWER SELECT</p>  <p>VDD OFF POWER_VDD ON USER_VDD ON</p>	<p><b>Same Power Source from Target System</b></p> 
<p>POWER SELECT</p>  <p>VDD OFF POWER_VDD ON USER_VDD ON</p>	<p><b>Same Power Source from DC Jack</b></p> 

**CLOCK SELECTION**

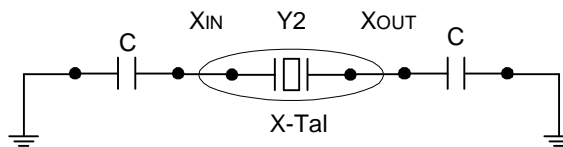
U1 State	Description
<p>CLKSEL X-TAL</p>  <p>XTALI OFF XTALO OFF MXIN ON MXOUT ON OSC OFF OFF</p> <p>OSCCLK</p>	<p>OSC[Y1] is used to clock source for Evaluation chip</p> 
<p>CLKSEL X-TAL</p>  <p>XTALI ON XTALO ON MXIN ON MXOUT ON OSC OFF OFF</p> <p>OSCCLK</p>	<p>X-TAL[JP3] is used to clock source for Evaluation chip</p> 

**VREF SELECTION**

JP4 State		Description
TAVREF	● ●	TAVSS
AVREF	● ●	AVSS
UAVREF	○ ○	UAVSS
TAVREF ○ ○ TAVSS AVREF ● ● AVSS UAVREF ● ● UAVSS		Same AVREF of EVA chip from TAVREF of Target System.

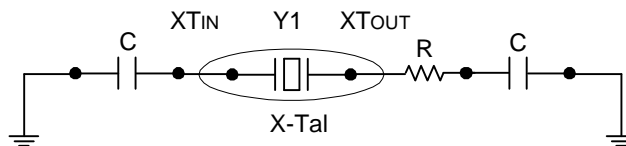
**USE CLOCK SETTING FOR EXTERNAL CLOCK MODE**

Proper crystal and capacitors for main clock should be inserted into pin socket on the IE Board as follows;



**SUB CLOCK SETTING**

For sub-clock mode a crystal, 32.768 kHz and capacitors should be inserted into pin socket on the IE Board as follows;



**NOTE:** The value of resistor is 0 KΩ.

**JP1, JP2 PIN ASSIGNMENT**

JP1, 2 are the signals of IE-K225 and their pin assignment is the same as the pin of S3CK225.

JP1	Function	JP1	Function	JP2	Function	JP2	Function
1	P6.0	2	P6.1	33	P5.7	34	P5.6
3	P6.2	4	P6.3	36	P5.5	36	P5.4
5	P7.0	6	P7.1	37	P5.3	38	P5.2
7	P7.2	8	P7.3	39	P5.1	40	P5.0
9	VDD	10	VSS	41	P4.7	42	P4.6
11	XOUT[NC]	12	XIN[NC]	43	P4.5	44	P4.4
13	TEST	14	XTIN[NC]	45	P4.3	46	P4.2
15	XTOUT[NC]	16	RESET	47	P4.1	48	P4.0
17	DAO	18	FILIN	49	P3.7	50	P3.6
19	FILOUT	20	VREF	51	P3.5	52	P3.4
21	MICIN	22	MICOUT	53	P3.3	54	P3.2
23	P0.0	24	P0.1	55	P3.1	56	P3.0
25	P0.2	26	P0.3	57	P2.7	58	P2.6
27	P1.0	28	P1.1	59	P2.5	60	P2.4
29	P1.2	30	P1.3	61	P2.3	62	P2.2
31	TAVREF	32	TAVSS	63	P2.1	64	P2.0