

# 1

## PRODUCT OVERVIEW

### OVERVIEW

The S3C72I9 single-chip CMOS microcontroller has been designed for high performance using Samsung's newest 4-bit CPU core, SAM47 (Samsung Arrangeable Microcontrollers).

With an up-to-896-dot LCD direct drive capability, 8-bit timer/counter 0, 16-bit timer/counter 1, and serial I/O, the S3C72I9 offers an excellent design solution for a wide variety of applications which require LCD functions.

Up to 39 pins of the 100-pin QFP package can be dedicated to I/O. Eight vectored interrupts provide fast response to internal and external events. In addition, the S3C72I9's advanced CMOS technology provides for low power consumption and a wide operating voltage range.

### OTP

The S3C72I9 microcontroller is also available in OTP (One Time Programmable) version, S3P72I9. S3P72I9 microcontroller has an on-chip 32 K-byte one-time-programmable EPROM instead of masked ROM. The S3P72I9 is comparable to S3C72I9, both in function and in pin configuration.

## FEATURES SUMMARY

### Memory

- 8,192 × 4-bit RAM (excluding LCD display RAM)
- 32,768 × 8-bit ROM

### 39 I/O Pins

- I/O: 35 pins
- Input only: 4 pins

### LCD Controller/Driver

- 56 segments and 16 common terminals
- 8 and 16 common selectable
- Internal resistor circuit for LCD bias
- All dot can be switched on/off

### 8-bit Basic Timer

- 4 interval timer functions
- Watchdog timer

### 8-bit Timer/Counter 0

- Programmable 8-bit timer
- External event counter
- Arbitrary clock frequency output
- External clock signal divider
- Serial I/O interface clock generator

### 16-Bit Timer/Counter 1

- Programmable 16-bit timer
- External event counter
- Arbitrary clock frequency output
- External clock signal divider

### 8-bit Serial I/O Interface

- 8-bit transmit/receive mode
- 8-bit receive mode
- LSB-first or MSB-first transmission selectable
- Internal or external clock source

### Memory-Mapped I/O Structure

- Data memory bank 15

### Watch Timer

- Time interval generation: 0.5 s, 3.9 ms at 32.768 Hz
- 4 frequency outputs to BUZ pin
- Clock source generation for LCD

### Interrupts

- Four internal vectored interrupts
- Four external vectored interrupts
- Two quasi-interrupts

### Bit Sequential Carrier

- Supports 16-bit serial data transfer in arbitrary format

### Power-Down Modes

- Idle mode (only CPU clock stops)
- Stop mode (main system clock and CPU clock stop)
- Sub-system clock stop mode

### Oscillation Sources

- Crystal, ceramic, or RC for main system clock
- Crystal oscillator for subsystem clock
- Main system clock frequency: 0.4 - 6 MHz
- Subsystem clock frequency: 32.768 kHz
- CPU clock divider circuit (by 4, 8, or 64)

### Instruction Execution Times

- 0.67, 1.33, 10.7  $\mu$ s at 6 MHz
- 0.95, 1.91, 15.3  $\mu$ s at 4.19 MHz
- 122  $\mu$ s at 32.768 kHz

### Operating Temperature

- - 40 °C to 85 °C

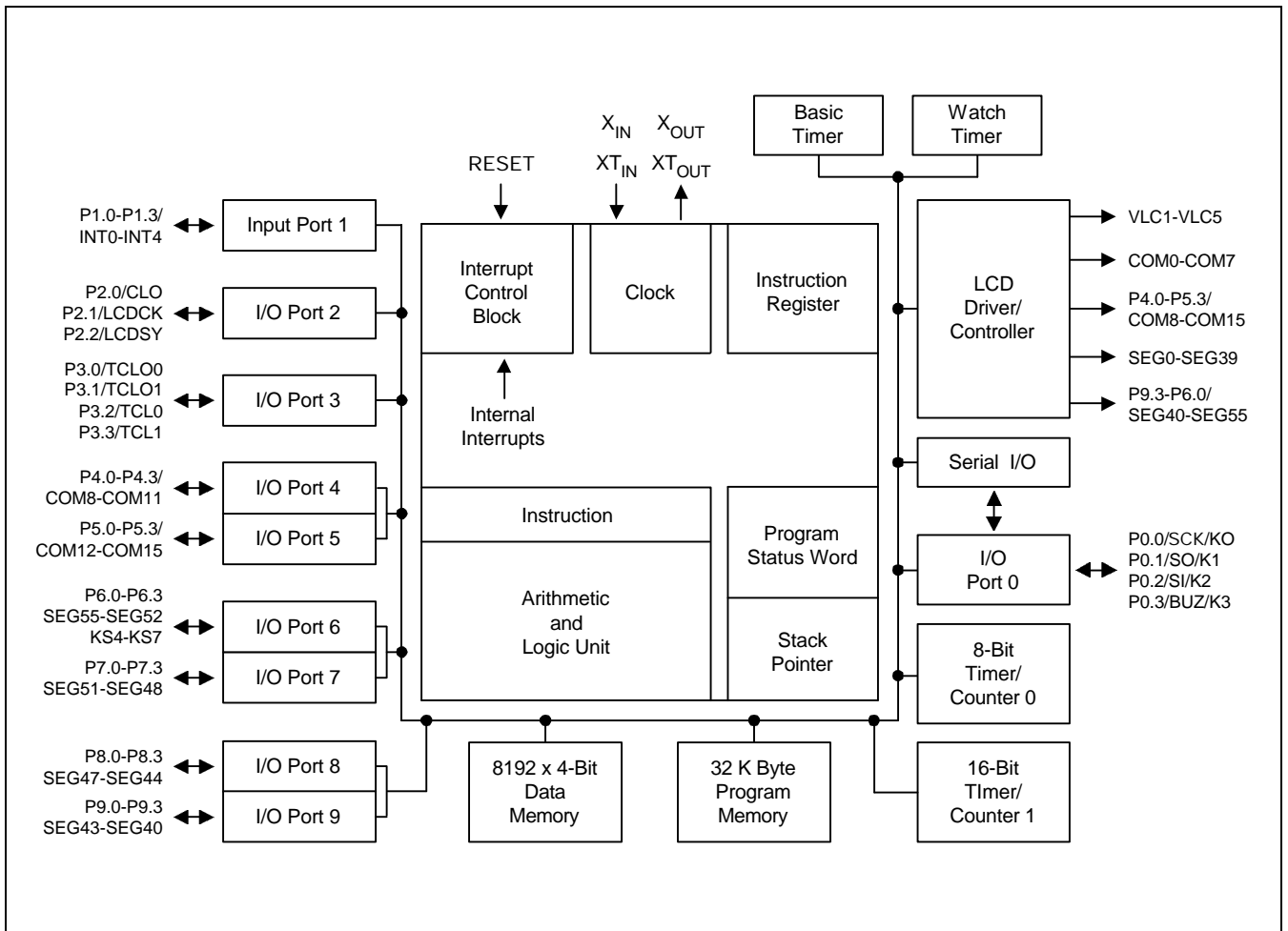
### Operating Voltage Range

- 1.8 V to 5.5 V (3.0 MHz @ 1.8 V)

### Package Type

- 100-pin QFP

**BLOCK DIAGRAM**



**Figure 1-1. S3C72I9 Simplified Block Diagram**

PIN ASSIGNMENTS

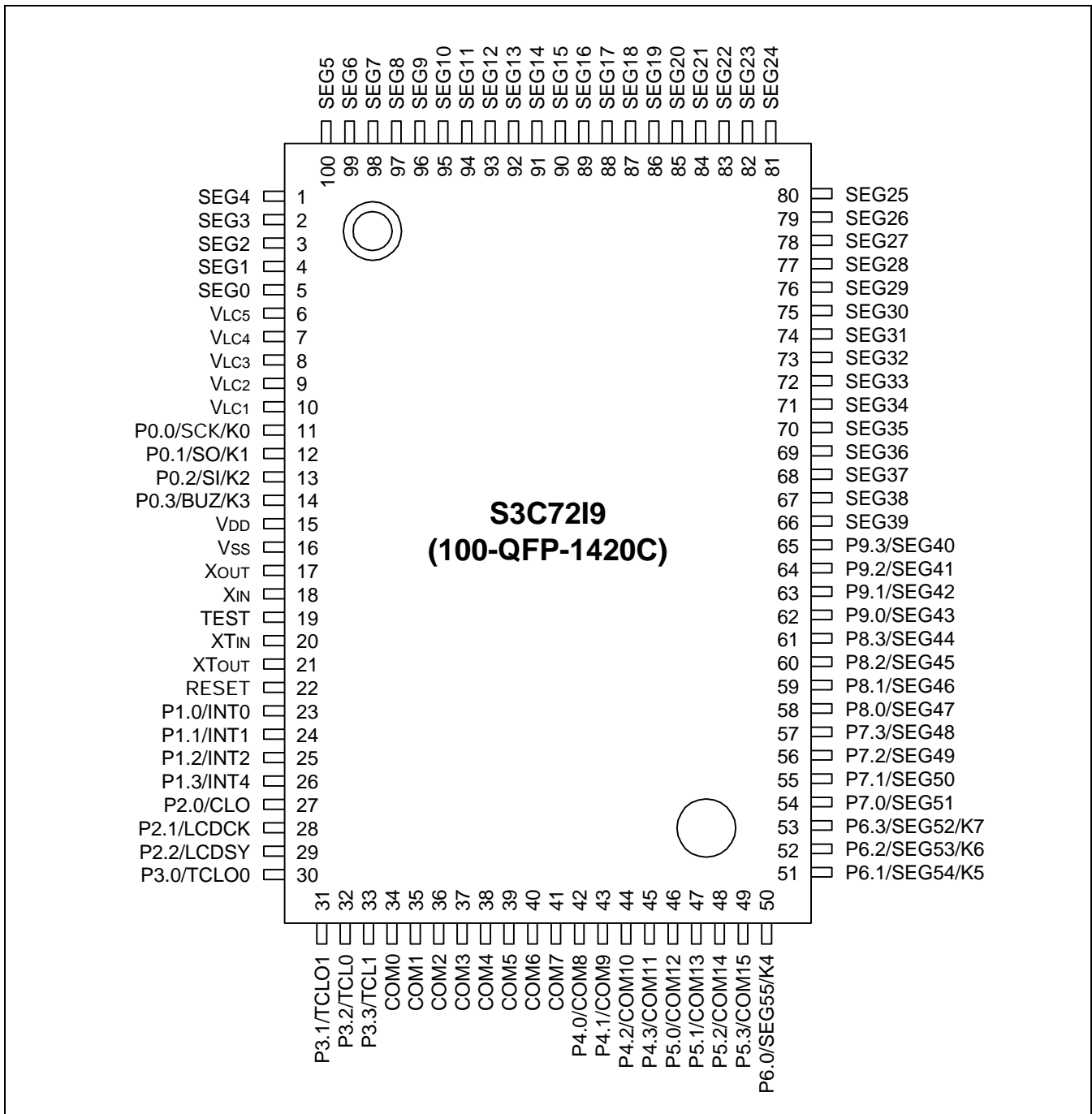


Figure 1-2. S3C7219 100-QFP Pin Assignment Diagram

## PIN DESCRIPTIONS

Table 1-1. S3C7219 Pin Descriptions

Pin Name	Pin Type	Description	Number	Share Pin
P0.0 P0.1 P0.2 P0.3	I/O	4-bit I/O port. 1-bit and 4-bit read/write and test are possible. Individual pins are software configurable as input or output. Individual pins are software configurable as open-drain or push-pull output. 4-bit pull-up resistors are software assignable; pull-up resistors are automatically disabled for output pins.	11 12 13 14	SCK/K0 SO/K1 SI/K2 BUZ/K3
P1.0 P1.1 P1.2 P1.3	I	4-bit input port. 1-bit and 4-bit read and test are possible. 4-bit pull-up resistors are assignable by software.	23 24 25 26	INT0 INT1 INT2 INT4
P2.0 P2.1 P2.2	I/O	Same as port 0 except that port 2 is 3-bit I/O port.	27 28 29	CLO LCDCK LCDSY
P3.0 P3.1 P3.2 P3.3	I/O	Same as port 0.	30 31 32 33	TCLO0 TCLO1 TCL0 TCL1
P4.0-P4.3  P5.0-P5.3	I/O	4-bit I/O ports. 1-, 4-bit or 8-bit read/write and test are possible. Individual pins are software configurable as input or output. 4-bit pull-up resistors are software assignable; pull-up resistors are automatically disabled for output pins.	42-45  46-49	COM8- COM11 COM12- COM15
P6.0-P6.3  P7.0-P7.3	I/O	Same as P4, P5.	50-53  54-57	SEG55/K4- SEG52/K7  SEG51- SEG48
P8.0-P8.3  P9.0-P9.3	I/O	Same as P4, P5.	58-61  62-65	SEG47- SEG44 SEG43- SEG40
SCK	I/O	Serial I/O interface clock signal.	11	P0.0/K0
SO	I/O	Serial data output.	12	P0.1/K1
SI	I/O	Serial data input.	13	P0.2/K2
BUZ	I/O	2 kHz, 4 kHz, 8 kHz or 16 kHz frequency output for buzzer signal.	14	P0.3/K3
INT0, INT1	I	External interrupts. The triggering edge for INT0 and INT1 is selectable.	23, 24	P1.0, P1.1

Table 1-1. S3C7219 Pin Descriptions (Continued)

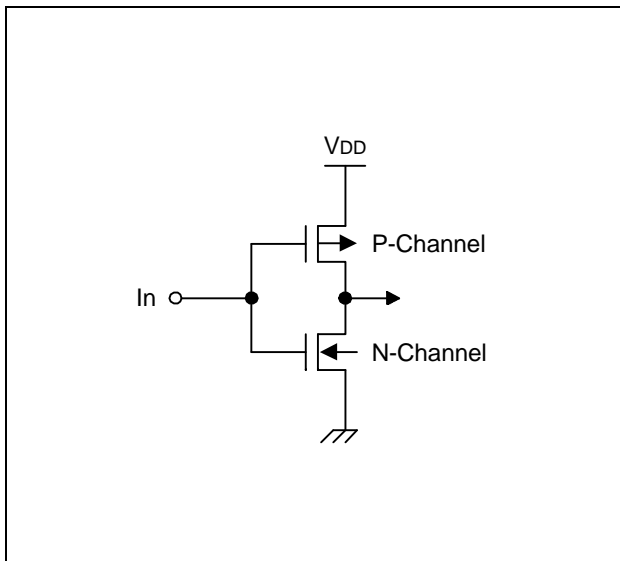
Pin Name	Pin Type	Description	Number	Share Pin
INT2	I	Quasi-interrupt with detection of rising or falling edges.	25	P1.2
INT4	I	External interrupt with detection of rising or falling edges.	26	P1.3
CLO	I/O	Clock output .	27	P2.0
LCDCK	I/O	LCD clock output for display expansion.	28	P2.1
LCDSY	I/O	LCD synchronization clock output for display expansion.	29	P2.2
TCLO0	I/O	Timer/counter 0 clock output.	30	P3.0
TCLO1	I/O	Timer/counter 1 clock output.	31	P3.1
TCL0	I/O	External clock input for timer/counter 0.	32	P3.2
TCL1	I/O	External clock input for timer/counter 1.	33	P3.3
COM0-COM7	O	LCD common signal output.	34-41	–
COM8-COM11	I/O		42-45	P4.0-P4.3
COM12-COM15			46-49	P5.0-P5.3
SEG0-SEG39	O	LCD segment signal output.	5-1, 100-66	–
SEG40-SEG43	I/O		65-62	P9.3-P9.0
SEG44-SEG47			61-58	P8.3-P8.0
SEG48-SEG51			57-54	P7.3-P7.0
SEG52-SEG55			53-50	P6.3/K7-P6.0/K4
K0-K3	I/O	External interrupt. The triggering edge is selectable.	11-14	P0.0-P0.3
K4-K7			50-53	P6.0-P6.3
V <sub>DD</sub>	–	Main power supply.	15	–
V <sub>SS</sub>	–	Ground.	16	–
RESET	I	Reset signal.	22	–
V <sub>LC1</sub> -V <sub>LC5</sub>	–	LCD power supply.	10-6	–
X <sub>in</sub> , X <sub>out</sub>	–	Crystal, Ceramic or RC oscillator pins for system clock.	18, 17	–
X <sub>Tin</sub> , X <sub>Tout</sub>	–	Crystal oscillator pins for subsystem clock.	20, 21	–
TEST	I	Test signal input. (must be connected to V <sub>SS</sub> )	19	–

**NOTE:** Pull-up resistors for all I/O ports are automatically disabled if they are configured to output mode.

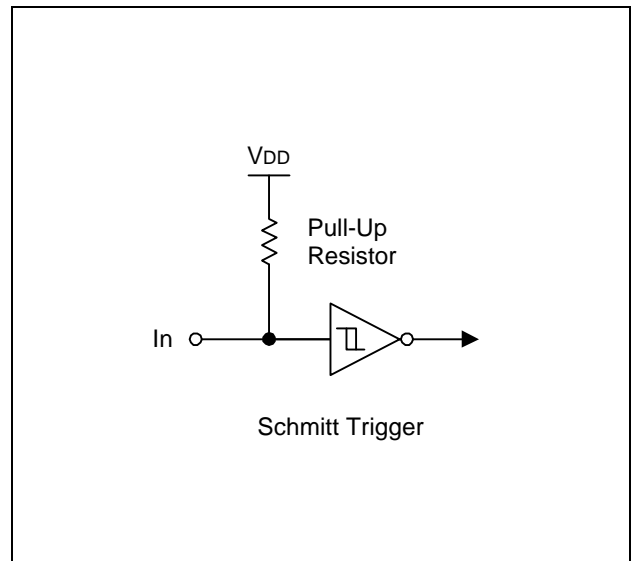
Table 1-2. Overview of S3C7219 Pin Data

Pin Names	Share Pins	I/O Type	Reset Value	Circuit Type
P0.1, P0.3	SO/K1, BUZ/K3	I/O	Input	E-1
P0.0, P0.2	SCK/K0, SI/K2	I/O	Input	E-2
P1.0-P1.3	INT0-INT2, INT4	I	Input	A-3
P2.0-P2.2	CLO, LCDCK, LCDSY	I/O	Input	E
P3.0-P3.1	TCLO0, TCLO1	I/O	Input	E
P3.2-P3.3	TCL0, TCL1	I/O	Input	E-1
P4.0-P4.3 P5.0-P5.3	COM8-COM11 COM12-COM15	I/O	Input	H-13
P6.0-P6.3	SEG55/K4-SEG52/K7	I/O	Input	H-16
P7.0-P7.3	SEG51-SEG48	I/O	Input	H-13
P8.0-P8.3 P9.0-P9.3	SEG47-SEG44 SEG43-SEG40	I/O	Input	H-13
COM0-COM7	–	O	High	H-3
SEG0-SEG39	–	O	High	H-15
V <sub>DD</sub>	–	–	–	–
V <sub>SS</sub>	–	–	–	–
RESET	–	I	–	B
V <sub>LC1</sub> -V <sub>LC5</sub>	–	–	–	–
X <sub>IN</sub> , X <sub>OUT</sub>	–	–	–	–
XT <sub>IN</sub> , XT <sub>OUT</sub>	–	–	–	–
TEST	–	I	–	–

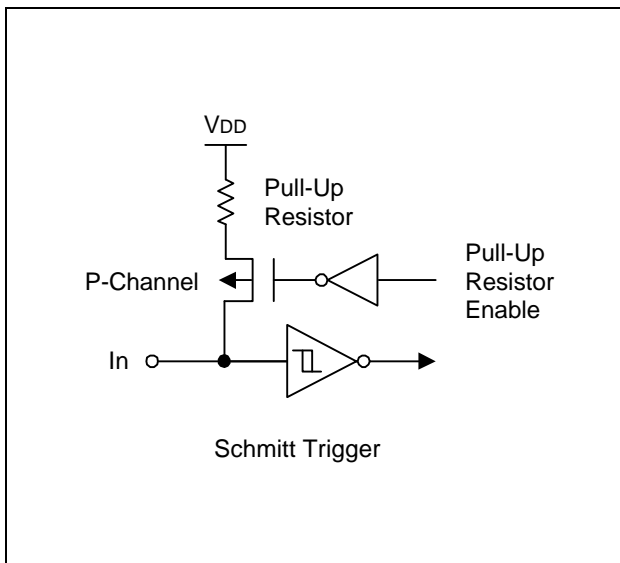
**PIN CIRCUIT DIAGRAMS**



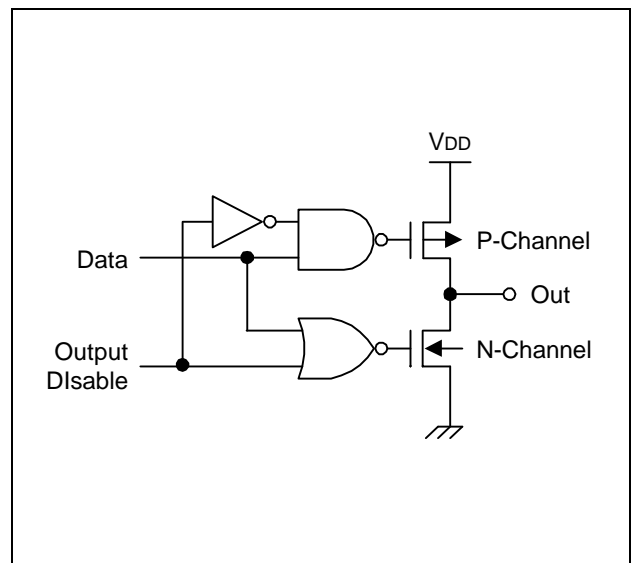
**Figure 1-3. Pin Circuit Type A**



**Figure 1-5. Pin Circuit Type B**



**Figure 1-4. Pin Circuit Type A-3**



**Figure 1-6. Pin Circuit Type C**



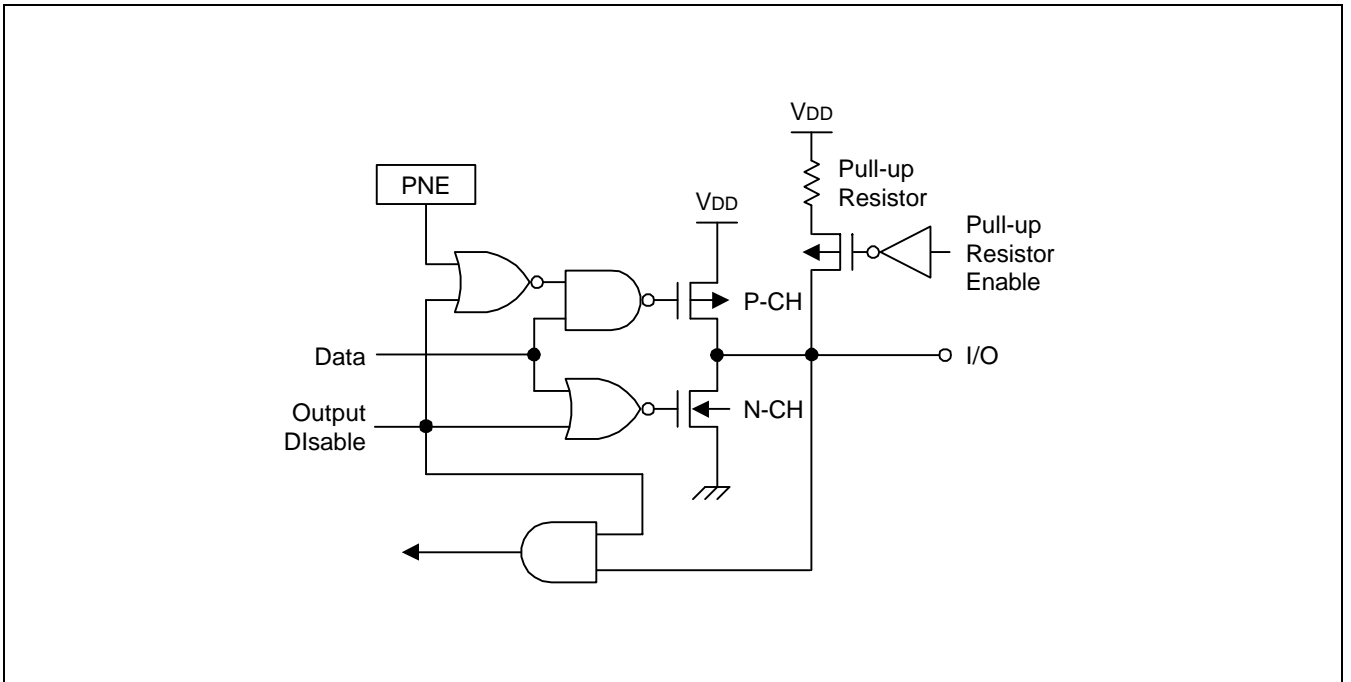


Figure 1-7. Pin Circuit Type E

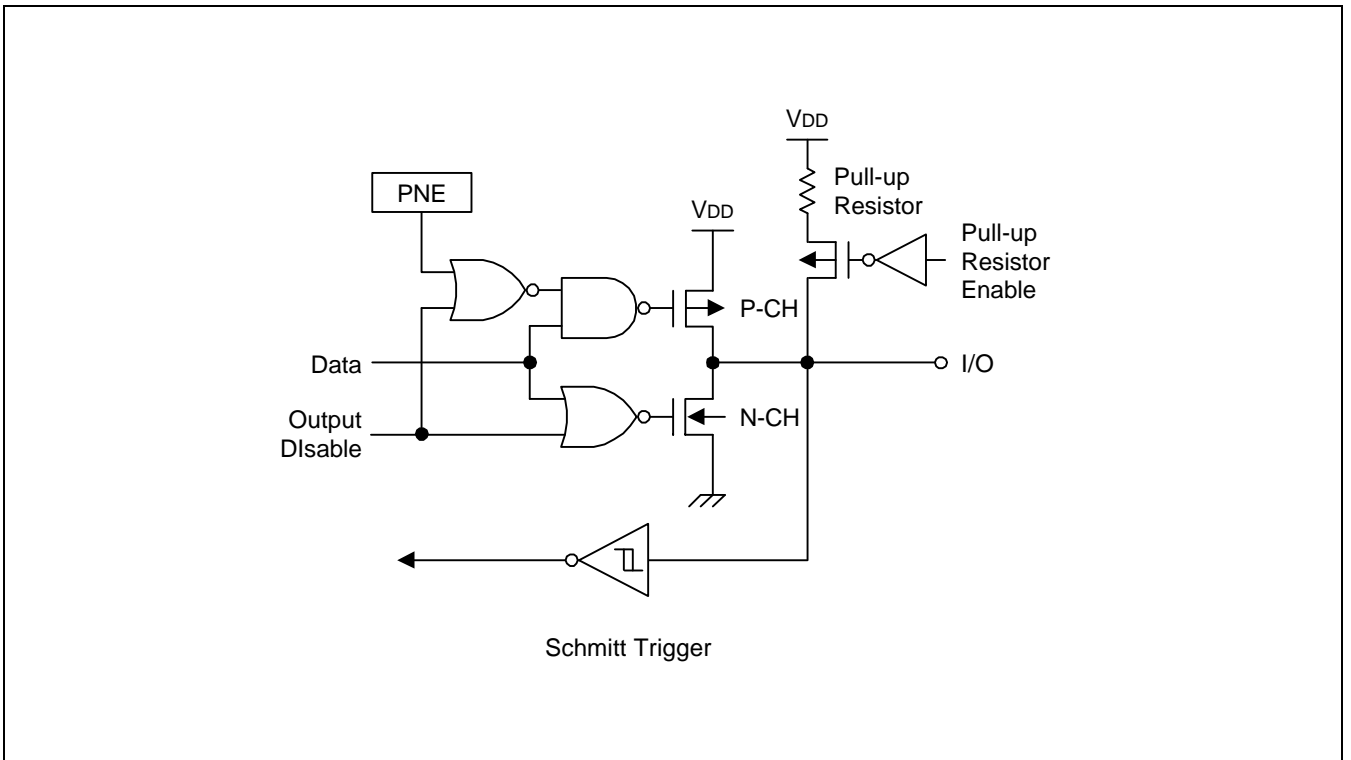


Figure 1-8. Pin Circuit Type E-1

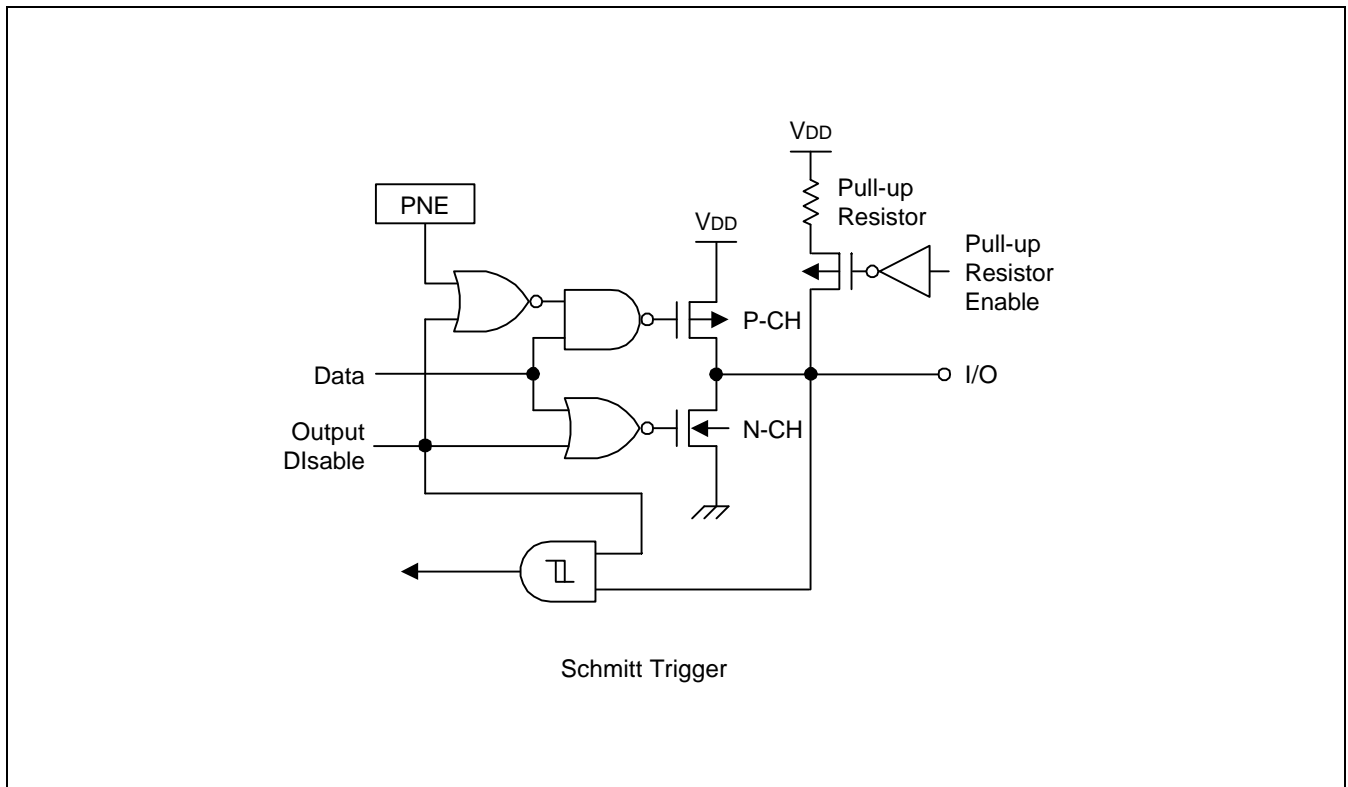


Figure 1-9. Pin Circuit Type E-2

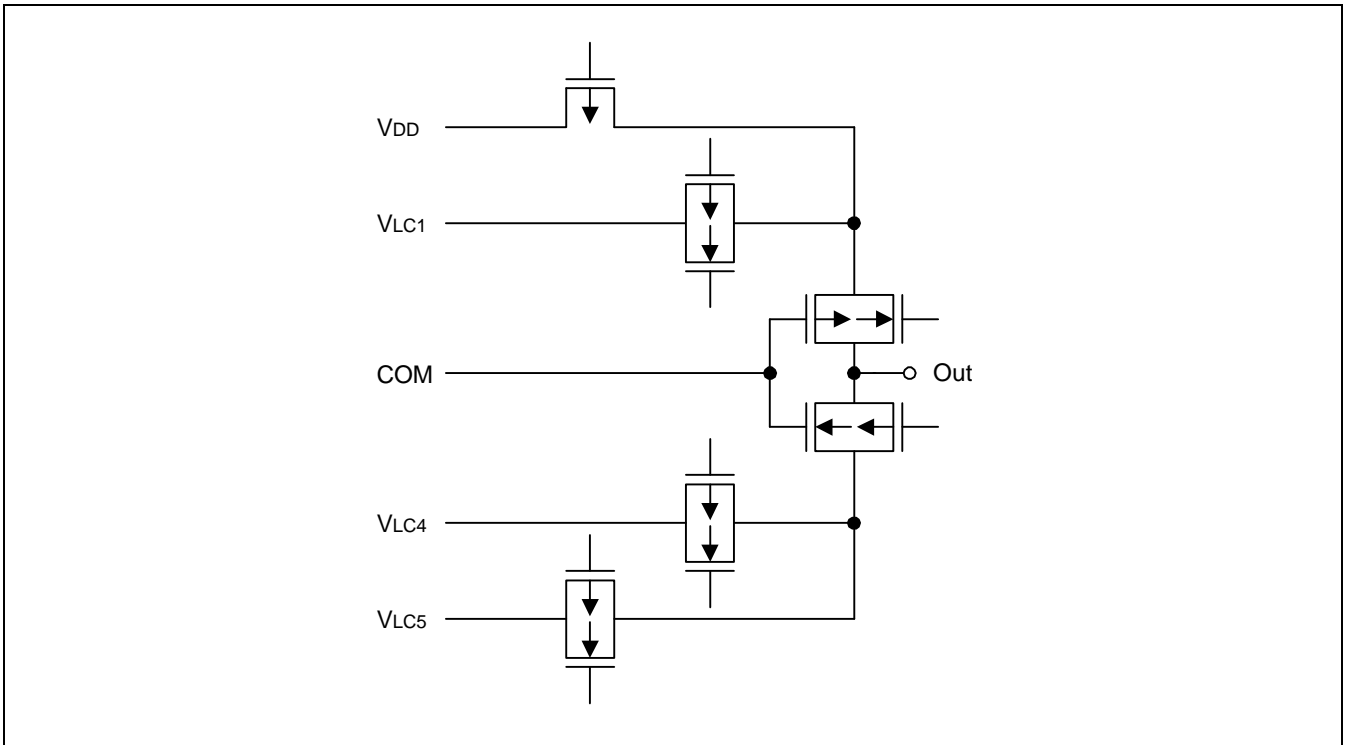


Figure 1-10. Pin Circuit Type H-3

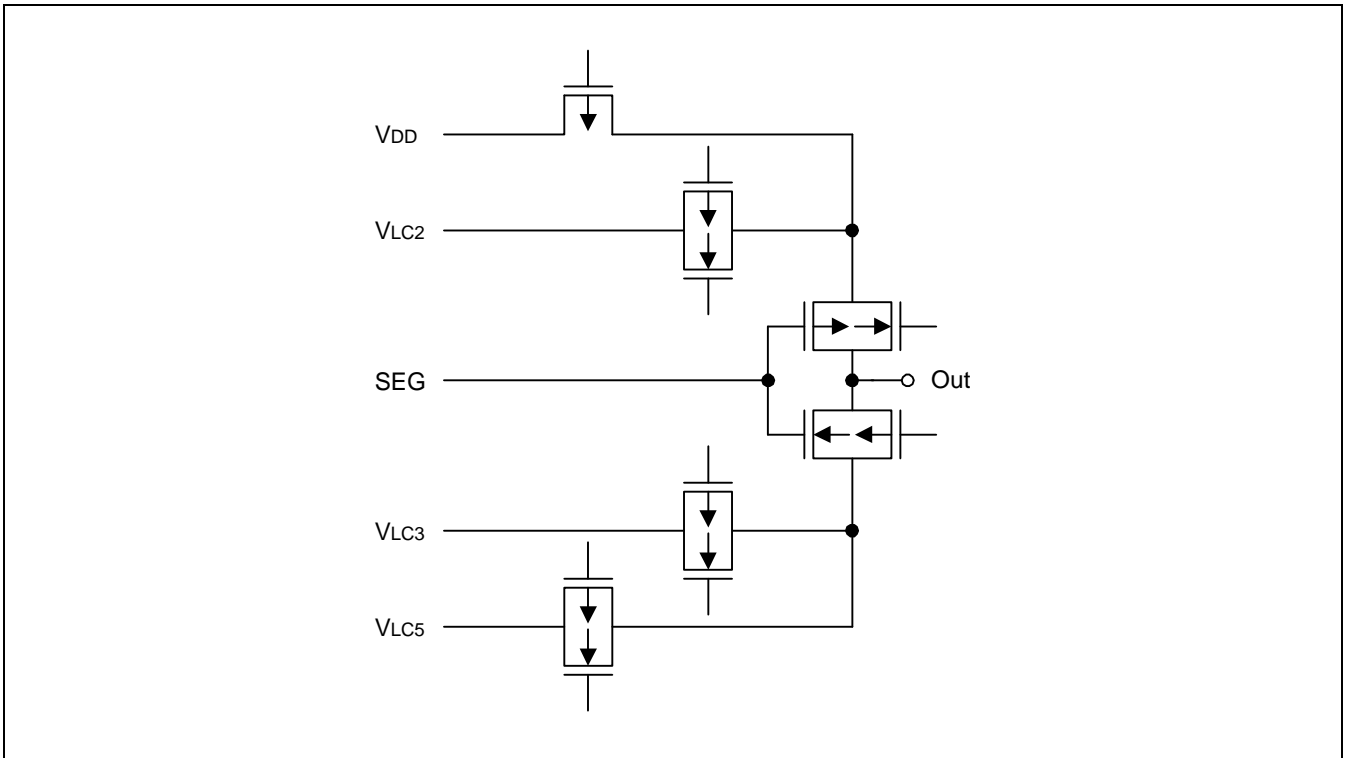


Figure 1-11. Pin Circuit Type H-15

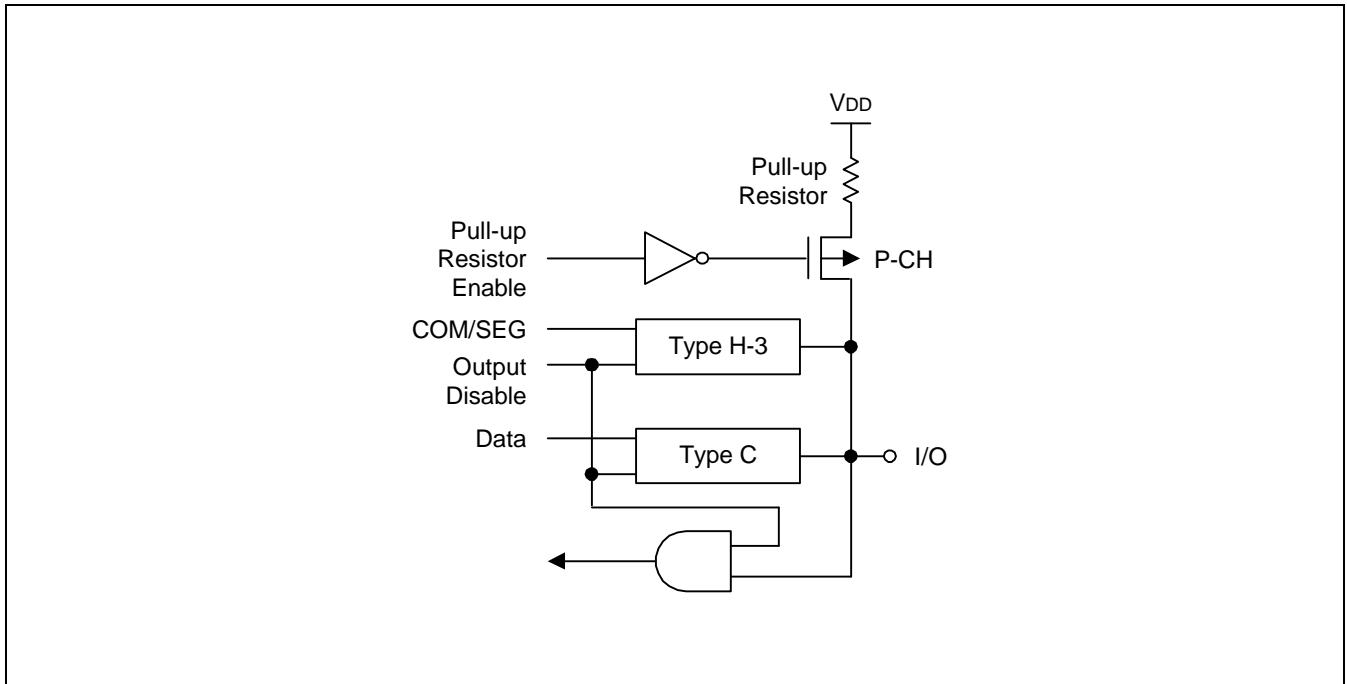


Figure 1-12. Pin Circuit Type H-13

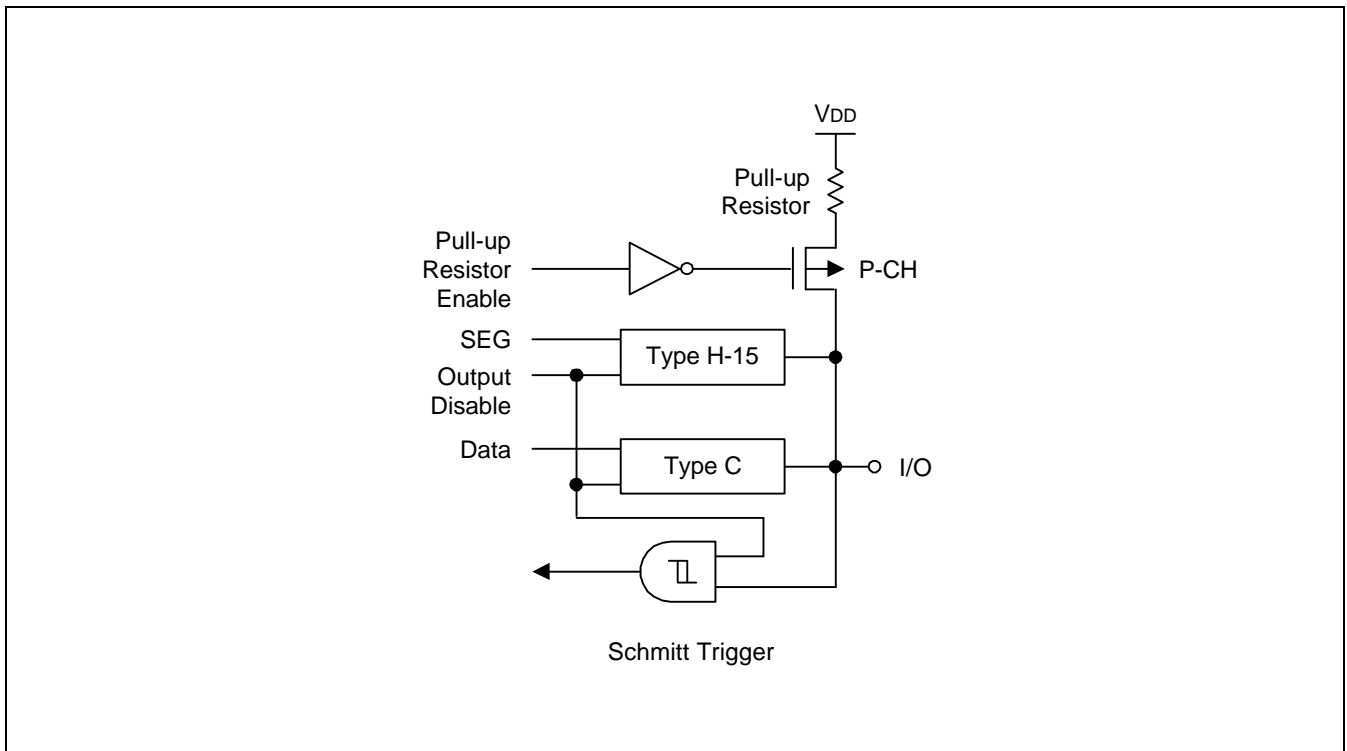


Figure 1-13. Pin Circuit Type H-16

# 14 ELECTRICAL DATA

## OVERVIEW

In this section, information on S3C7219 electrical characteristics is presented as tables and graphics. The information is arranged in the following order:

### Standard Electrical Characteristics

- Absolute maximum ratings
- D.C. electrical characteristics
- Main system clock oscillator characteristics
- Subsystem clock oscillator characteristics
- I/O capacitance
- A.C. electrical characteristics
- Operating voltage range

### Miscellaneous Timing Waveforms

- A.C timing measurement point
- Clock timing measurement at  $X_{IN}$
- Clock timing measurement at  $XT_{IN}$
- TCL timing
- Input timing for RESET
- Input timing for external interrupts
- Serial data transfer timing

### Stop Mode Characteristics and Timing Waveforms

- RAM data retention supply voltage in stop mode
- Stop mode release timing when initiated by RESET
- Stop mode release timing when initiated by an interrupt request

Table 14-1. Absolute Maximum Ratings

 $(T_A = 25\text{ }^\circ\text{C})$ 

Parameter	Symbol	Conditions	Rating	Units
Supply Voltage	$V_{DD}$	–	- 0.3 to + 6.5	V
Input Voltage	$V_I$	Ports 0-9	- 0.3 to $V_{DD} + 0.3$	V
Output Voltage	$V_O$	–	- 0.3 to $V_{DD} + 0.3$	V
Output Current High	$I_{OH}$	One I/O pin active	- 15	mA
		All I/O pins active	- 35	
Output Current Low	$I_{OL}$	One I/O pin active	+ 30 (Peak value)	mA
			+ 15 (note)	
		Total for ports 0, 2-9	+ 100 (Peak value)	
			+ 60 (note)	
Operating Temperature	$T_A$	–	- 40 to + 85	$^\circ\text{C}$
Storage Temperature	$T_{stg}$	–	- 65 to + 150	$^\circ\text{C}$

**NOTE:** The values for Output Current Low ( $I_{OL}$ ) are calculated as Peak Value  $\times \sqrt{\text{Duty}}$  .

Table 14-2. D.C. Electrical Characteristics

 $(T_A = -40\text{ }^\circ\text{C}$  to  $+85\text{ }^\circ\text{C}$ ,  $V_{DD} = 1.8\text{ V}$  to  $5.5\text{ V}$ )

Parameter	Symbol	Conditions	Min	Typ	Max	Units
Input High Voltage	$V_{IH1}$	All input pins except those specified below for $V_{IH2}$ - $V_{IH3}$	$0.7 V_{DD}$	–	$V_{DD}$	V
	$V_{IH2}$	Ports 0, 1, 6, P3.2, P3.3, and RESET	$0.8 V_{DD}$		$V_{DD}$	
	$V_{IH3}$	$X_{IN}$ , $X_{OUT}$ , and $XT_{IN}$	$V_{DD} - 0.1$		$V_{DD}$	
Input Low Voltage	$V_{IL1}$	All input pins except those specified below for $V_{IL2}$ - $V_{IL3}$	–	–	$0.3 V_{DD}$	V
	$V_{IL2}$	Ports 0, 1, 6, P3.2, P3.3, and RESET			$0.2 V_{DD}$	
	$V_{IL3}$	$X_{IN}$ , $X_{OUT}$ , and $XT_{IN}$			0.1	
Output High Voltage	$V_{OH}$	$V_{DD} = 4.5\text{ V}$ to $5.5\text{ V}$ $I_{OH} = -1\text{ mA}$ Ports 0, 2-9	$V_{DD} - 1.0$	–	–	V
Output Low Voltage	$V_{OL}$	$V_{DD} = 4.5\text{ V}$ to $5.5\text{ V}$ $I_{OL} = 15\text{ mA}$ Ports 0, 2-9	–	–	2.0	V

Table 14-2. D.C. Electrical Characteristics (Continued)

(T<sub>A</sub> = -40 °C to +85 °C, V<sub>DD</sub> = 1.8 V to 5.5 V)

Parameter	Symbol	Conditions	Min	Typ	Max	Units
Input High Leakage Current	I <sub>LIH1</sub>	V <sub>I</sub> = V <sub>DD</sub> All input pins except those specified below for I <sub>LIH2</sub>	–	–	3	μA
	I <sub>LIH2</sub>	V <sub>I</sub> = V <sub>DD</sub> X <sub>IN</sub> , X <sub>OUT</sub> , XT <sub>IN</sub> , and RESET			20	
Input Low Leakage Current	I <sub>LIL1</sub>	V <sub>I</sub> = 0 V All input pins except those specified below for I <sub>LIH2</sub>	–	–	- 3	μA
	I <sub>LIL2</sub>	V <sub>I</sub> = 0 V X <sub>IN</sub> , X <sub>OUT</sub> , and XT <sub>IN</sub>			- 20	
Output High Leakage Current	I <sub>LOH</sub>	V <sub>O</sub> = V <sub>DD</sub> All output pins	–	–	3	μA
Output Low Leakage Current	I <sub>LOL</sub>	V <sub>O</sub> = 0 V All output pins	–	–	- 3	μA
Pull-Up Resistor	R <sub>LI</sub>	V <sub>I</sub> = 0 V; V <sub>DD</sub> = 5 V Port 0-9	25	47	100	kΩ
		V <sub>DD</sub> = 3 V	50	95	200	
	R <sub>LI2</sub>	V <sub>I</sub> = 0 V; V <sub>DD</sub> = 5 V, RESET	100	220	400	
		V <sub>DD</sub> = 3 V	200	450	800	
LCD Voltage Dividing Resistor	R <sub>LCD</sub>	T <sub>A</sub> = 25 °C	25	55	80	kΩ
V <sub>DD</sub> -COM <sub>i</sub>   Voltage Drop (i = 0-15)	V <sub>DC</sub>	- 15 μA per common pin	–	–	120	mV
V <sub>DD</sub> -SEG <sub>x</sub>   Voltage Drop (x = 0-55)	V <sub>DS</sub>	- 15 μA per segment pin	–	–	120	
V <sub>LC1</sub> Output Voltage	V <sub>LC1</sub>	LCD clock = 0 Hz, V <sub>LC5</sub> = 0 V	0.8 V <sub>DD</sub> - 0.2	0.8 V <sub>DD</sub>	0.8 V <sub>DD</sub> + 0.2	V
V <sub>LC2</sub> Output Voltage	V <sub>LC2</sub>		0.6 V <sub>DD</sub> - 0.2	0.6 V <sub>DD</sub>	0.6 V <sub>DD</sub> + 0.2	
V <sub>LC3</sub> Output Voltage	V <sub>LC3</sub>		0.4 V <sub>DD</sub> - 0.2	0.4 V <sub>DD</sub>	0.4 V <sub>DD</sub> + 0.2	
V <sub>LC4</sub> Output Voltage	V <sub>LC4</sub>		0.2 V <sub>DD</sub> - 0.2	0.2 V <sub>DD</sub>	0.2 V <sub>DD</sub> + 0.2	

Table 14-2. D.C. Electrical Characteristics (Concluded)

(T<sub>A</sub> = -40 °C to +85 °C, V<sub>DD</sub> = 1.8 V to 5.5 V)

Parameter	Symbol	Conditions		Min	Typ	Max	Units			
Supply Current	I <sub>DD1</sub> <sup>(2)</sup>	V <sub>DD</sub> = 5 V ± 10%	6.0 MHz	-	5.1	10.0	mA			
		Crystal oscillator C1 = C2 = 22 pF	4.19 MHz		3.9	7.5				
	I <sub>DD2</sub> <sup>(2)</sup>	V <sub>DD</sub> = 3 V ± 10%	6.0 MHz		2.5	4.0				
			4.19 MHz		1.8	3.0				
	I <sub>DD2</sub> <sup>(2)</sup>	Idle mode; V <sub>DD</sub> = 5 V ± 10%	6.0 MHz		1.3	2.5				
		Crystal oscillator C1 = C2 = 22 pF	4.19 MHz		1.2	1.8				
	I <sub>DD3</sub> <sup>(3)</sup>	V <sub>DD</sub> = 3 V ± 10%	6.0 MHz		0.5	1.5				
		32 kHz crystal oscillator	4.19 MHz		0.44	1.0				
	I <sub>DD4</sub> <sup>(3)</sup>	Idle mode; V <sub>DD</sub> = 3 V ± 10%								
	I <sub>DD5</sub>	Stop mode; V <sub>DD</sub> = 5 V ± 10%	SCMOD = 0000B					22.8	35	μA
Stop mode; V <sub>DD</sub> = 3 V ± 10%		XT = 0V			6.4	15				
Stop mode; V <sub>DD</sub> = 5 V ± 10%		SCMOD = 0100B			2.5	5				
Stop mode; V <sub>DD</sub> = 3 V ± 10%					0.5	3				
					0.2	3				
					0.1	2				

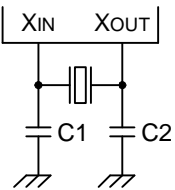
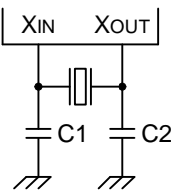
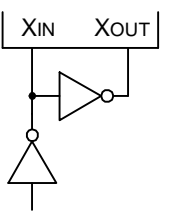
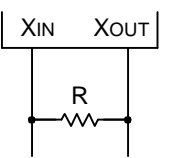
**NOTES:**

1. Data includes power consumption for subsystem clock oscillation.
2. When the system clock control register, SCMOD, is set to 1001B, main system clock oscillation stops and the subsystem clock is used.
3. Currents in the following circuits are not included; on-chip pull-up resistors, internal LCD voltage dividing resistors, output port drive currents.



Table 14-3. Main System Clock Oscillator Characteristics

 $(T_A = -40\text{ }^\circ\text{C} + 85\text{ }^\circ\text{C}, V_{DD} = 1.8\text{ V to } 5.5\text{ V})$ 

Oscillator	Clock Configuration	Parameter	Test Condition	Min	Typ	Max	Units
Ceramic Oscillator		Oscillation frequency <sup>(1)</sup>	–	0.4	–	6.0	MHz
		Stabilization time <sup>(2)</sup>	Stabilization occurs when $V_{DD}$ is equal to the minimum oscillator voltage range; $V_{DD} = 3.0\text{ V}$ .	–	–	4	ms
Crystal Oscillator		Oscillation frequency <sup>(1)</sup>	–	0.4	–	6.0	MHz
		Stabilization time <sup>(2)</sup>	$V_{DD} = 3.0\text{ V}$	–	–	10	ms
			$V_{DD} = 2.0\text{ V to } 5.5\text{ V}$	–	–	30	
External Clock		$X_{IN}$ input frequency <sup>(1)</sup>	–	0.4	–	6.0	MHz
		$X_{IN}$ input high and low level width ( $t_{XH}, t_{XL}$ )	–	83.3	–	1250	ns
RC Oscillator		Frequency	$R = 20\text{ k}\Omega,$ $V_{DD} = 5\text{ V}$	–	2	–	MHz
			$R = 39\text{ k}\Omega,$ $V_{DD} = 3\text{ V}$	–	1	–	

**NOTES:**

- Oscillation frequency and  $X_{IN}$  input frequency data are for oscillator characteristics only.
- Stabilization time is the interval required for oscillator stabilization after a power-on occurs, or when stop mode is terminated.

Table 14-4. Recommended Oscillator Constants

(T<sub>A</sub> = - 40 °C + 85 °C, V<sub>DD</sub> = 1.8 V to 5.5 V)

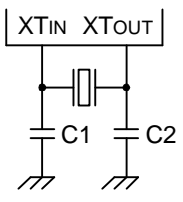
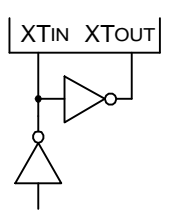
Manufacturer	Series Number <sup>(1)</sup>	Frequency Range	Load Cap (pF)		Oscillator Voltage Range (V)		Remarks
			C1	C2	MIN	MAX	
TDK	FCR 05M5	3.58 MHz-6.0 MHz	33	33	2.0	5.5	Leaded Type
	FCR 05MC5	3.58 MHz-6.0 MHz	(2)	(2)	2.0	5.5	On-chip C Leaded Type
	CCR 05MC3	3.58 MHz-6.0 MHz	(3)	(3)	2.0	5.5	On-chip C SMD Type

**NOTES:**

1. Please specify normal oscillator frequency.
2. On-chip C: 30pF built in.
3. On-chip C: 38pF built in.

Table 14-5. Subsystem Clock Oscillator Characteristics

(T<sub>A</sub> = -40 °C + 85 °C, V<sub>DD</sub> = 1.8 V to 5.5 V)

Oscillator	Clock Configuration	Parameter	Test Condition	Min	Typ	Max	Units
Crystal Oscillator		Oscillation frequency (1)	–	32	32.768	35	kHz
		Stabilization time (2)	V <sub>DD</sub> = 2.7 V to 5.5 V	–	1.0	2	s
			V <sub>DD</sub> = 2.0 V to 5.5 V	–	–	10	
External Clock		XT <sub>IN</sub> input frequency (1)	–	32	–	100	kHz
		XT <sub>IN</sub> input high and low level width (t <sub>XTL</sub> , t <sub>XTH</sub> )	–	5	–	15	μs

**NOTES:**

- Oscillation frequency and XT<sub>IN</sub> input frequency data are for oscillator characteristics only.
- Stabilization time is the interval required for oscillating stabilization after a power-on occurs.

Table 14-6. Input/Output Capacitance

(T<sub>A</sub> = 25 °C, V<sub>DD</sub> = 0 V)

Parameter	Symbol	Condition	Min	Typ	Max	Units
Input Capacitance	C <sub>IN</sub>	f = 1 MHz; Unmeasured pins are returned to V <sub>SS</sub>	–	–	15	pF
Output Capacitance	C <sub>OUT</sub>		–	–	15	pF
I/O Capacitance	C <sub>IO</sub>		–	–	15	pF

Table 14-7. A.C. Electrical Characteristics

(T<sub>A</sub> = -40 °C to +85 °C, V<sub>DD</sub> = 1.8 V to 5.5 V)

Parameter	Symbol	Conditions	Min	Typ	Max	Units
Instruction Cycle Time <small>(note)</small>	t <sub>CY</sub>	V <sub>DD</sub> = 2.7 V to 5.5 V	0.67	–	64	μs
		V <sub>DD</sub> = 2.0 V to 5.5 V	0.95		64	
TCL0, TCL1 Input Frequency	f <sub>TI0</sub> , f <sub>TI1</sub>	V <sub>DD</sub> = 2.7 V to 5.5 V	0	–	1.5	MHz
		V <sub>DD</sub> = 2.0 V to 5.5 V			1	
TCL0, TCL1 Input High, Low Width	t <sub>TIH0</sub> , t <sub>TIL0</sub> t <sub>TIH1</sub> , t <sub>TIL1</sub>	V <sub>DD</sub> = 2.7 V to 5.5 V	0.48	–	–	μs
		V <sub>DD</sub> = 2.0 V to 5.5 V	1.8			
SCK Cycle Time	t <sub>KCY</sub>	V <sub>DD</sub> = 2.7 V to 5.5 V; Input	800	–	–	ns
		Internal SCK source; Output	650			
		V <sub>DD</sub> = 2.0 V to 5.5 V; Input	3200			
		Internal SCK source; Output	3800			
SCK High, Low Width	t <sub>KH</sub> , t <sub>KL</sub>	V <sub>DD</sub> = 2.7 V to 5.5 V; Input	325	–	–	ns
		Internal SCK source; Output	t <sub>KCY</sub> /2-50			
		V <sub>DD</sub> = 2.0 V to 5.5 V; Input	1600			
		Internal SCK source; Output	t <sub>KCY</sub> /2-150			
SI Setup Time to SCK High	t <sub>SIK</sub>	V <sub>DD</sub> = 2.7 V to 5.5 V; Input	100	–	–	ns
		V <sub>DD</sub> = 2.7 V to 5.5 V; Output	150			
		V <sub>DD</sub> = 2.0 V to 5.5 V; Input	150			
		V <sub>DD</sub> = 2.0 V to 5.5 V; Output	500			
SI Hold Time to SCK High	t <sub>KSI</sub>	V <sub>DD</sub> = 2.7 V to 5.5 V; Input	400	–	–	ns
		V <sub>DD</sub> = 2.7 V to 5.5 V; Output	400			
		V <sub>DD</sub> = 2.0 V to 5.5 V; Input	600			
		V <sub>DD</sub> = 2.0 V to 5.5 V; Output	500			

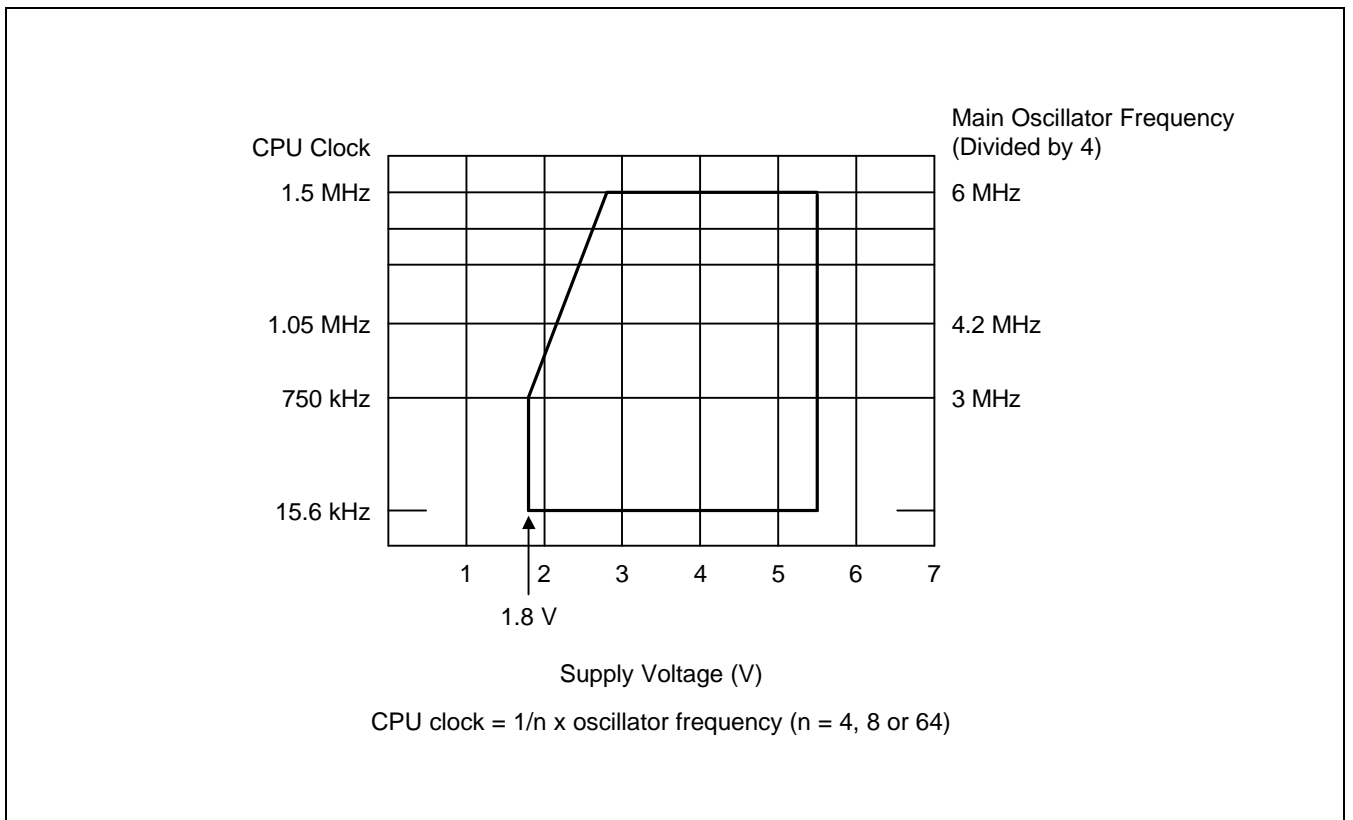
**NOTE:** Unless otherwise specified, Instruction Cycle Time condition values assume a main system clock ( f<sub>x</sub> ) source.

**Table 14-7. A.C. Electrical Characteristics (Continued)**

( $T_A = -40\text{ }^\circ\text{C}$  to  $+85\text{ }^\circ\text{C}$ ,  $V_{DD} = 1.8\text{ V}$  to  $5.5\text{ V}$ )

Parameter	Symbol	Conditions	Min	Typ	Max	Units
Output Delay for SCK to SO	$t_{KSO}$	$V_{DD} = 2.7\text{ V}$ to $5.5\text{ V}$ ; Input	-	-	300	ns
		$V_{DD} = 2.7\text{ V}$ to $5.5\text{ V}$ ; Output			250	
		$V_{DD} = 2.0\text{ V}$ to $5.5\text{ V}$ ; Input			1000	
		$V_{DD} = 2.0\text{ V}$ to $5.5\text{ V}$ ; Output			1000	
Interrupt Input High, Low Width	$t_{INTH}, t_{INTL}$	INT0, INT1, INT2, INT4, K0-K7	10	-	-	$\mu\text{s}$
RESET Input Low Width	$t_{RSL}$	Input	10	-	-	$\mu\text{s}$

**NOTE:** Minimum value for INT0 is based on a clock of  $2t_{CY}$  or  $128/f_x$  as assigned by the IMOD0 register setting.



**Figure 14-1. Standard Operating Voltage Range**

Table 14-8. RAM Data Retention Supply Voltage in Stop Mode

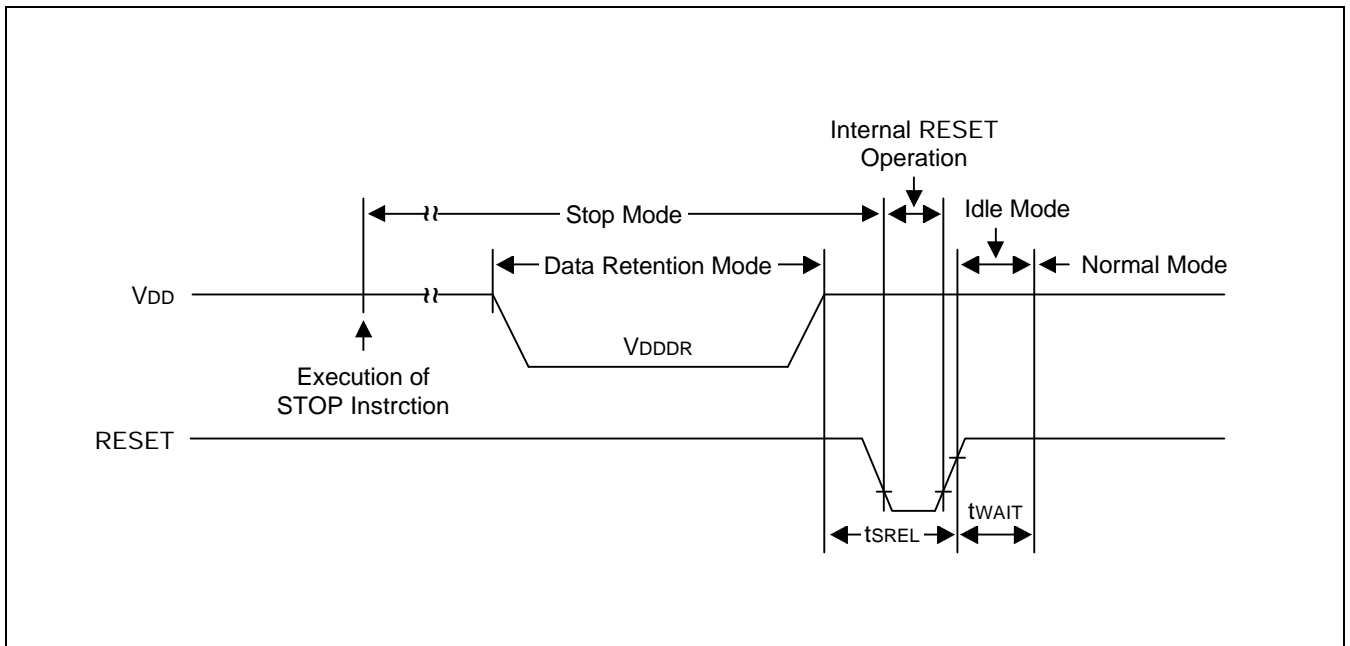
(T<sub>A</sub> = -40 °C to +85 °C)

Parameter	Symbol	Conditions	Min	Typ	Max	Unit
Data retention supply voltage	V <sub>DDDR</sub>	–	1.8	–	5.5	V
Data retention supply current	I <sub>DDDR</sub>	V <sub>DDDR</sub> = 1.8 V	–	0.1	10	μA
Release signal set time	t <sub>SREL</sub>	–	0	–	–	μs
Oscillator stabilization wait time <sup>(1)</sup>	t <sub>WAIT</sub>	Released by RESET	–	2 <sup>17</sup> /fx	–	ms
		Released by interrupt	–	(2)	–	

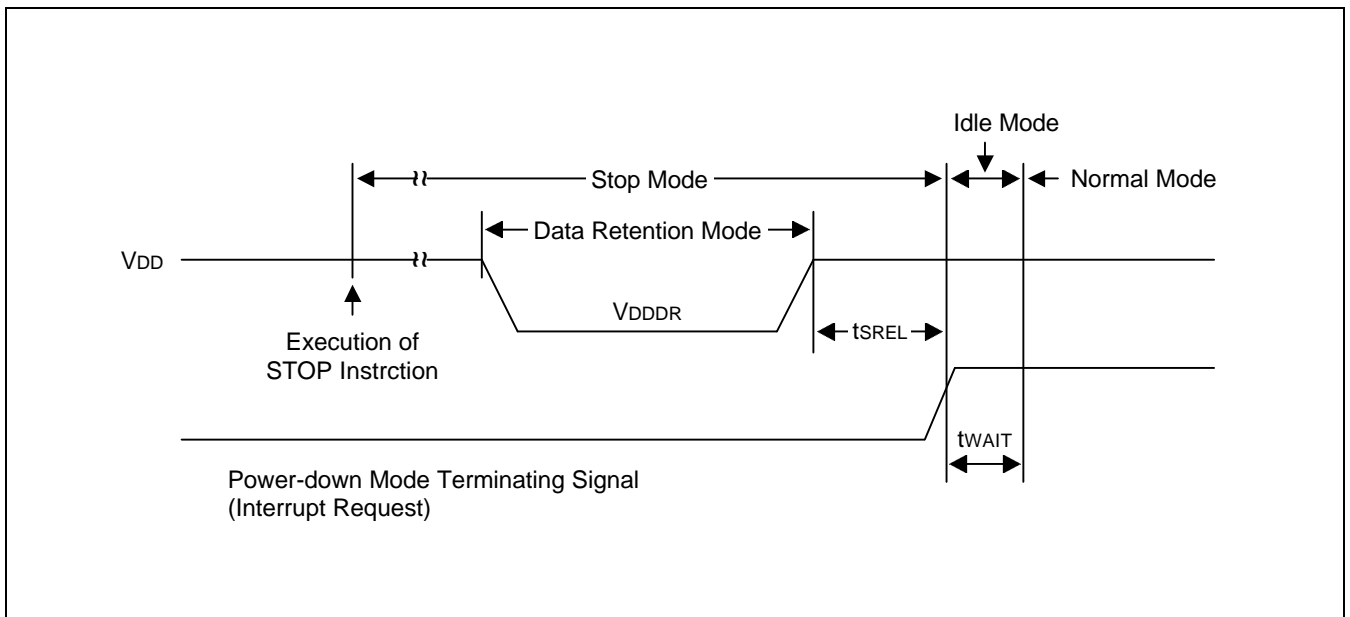
**NOTES:**

1. During oscillator stabilization wait time, all CPU operations must be stopped to avoid instability during oscillator start-up.
2. Use the basic timer mode register (BMOD) interval timer to delay execution of CPU instructions during the wait time.

**TIMING WAVEFORMS**



**Figure 14-2. Stop Mode Release Timing When Initiated by RESET**



**Figure 14-3. Stop Mode Release Timing When Initiated by Interrupt Request**

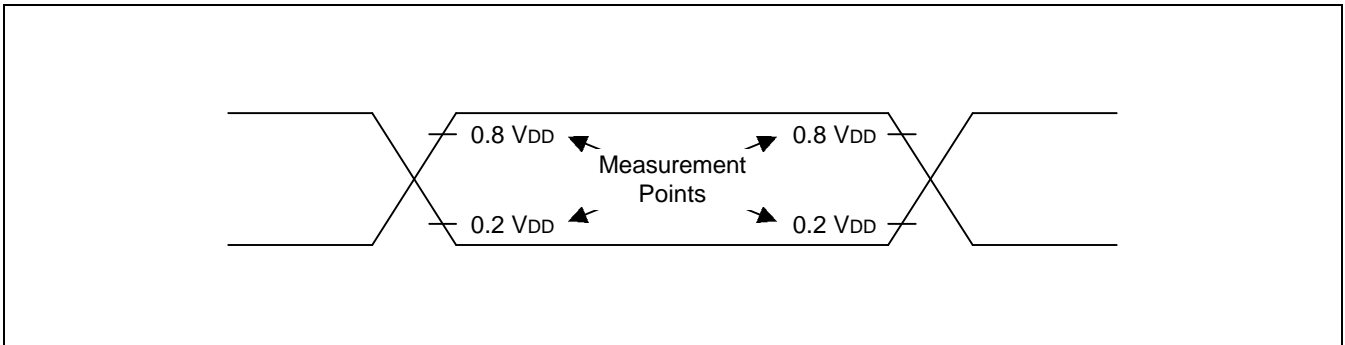


Figure 14-4. A.C. Timing Measurement Points (Except for  $X_{IN}$  and  $XT_{IN}$ )

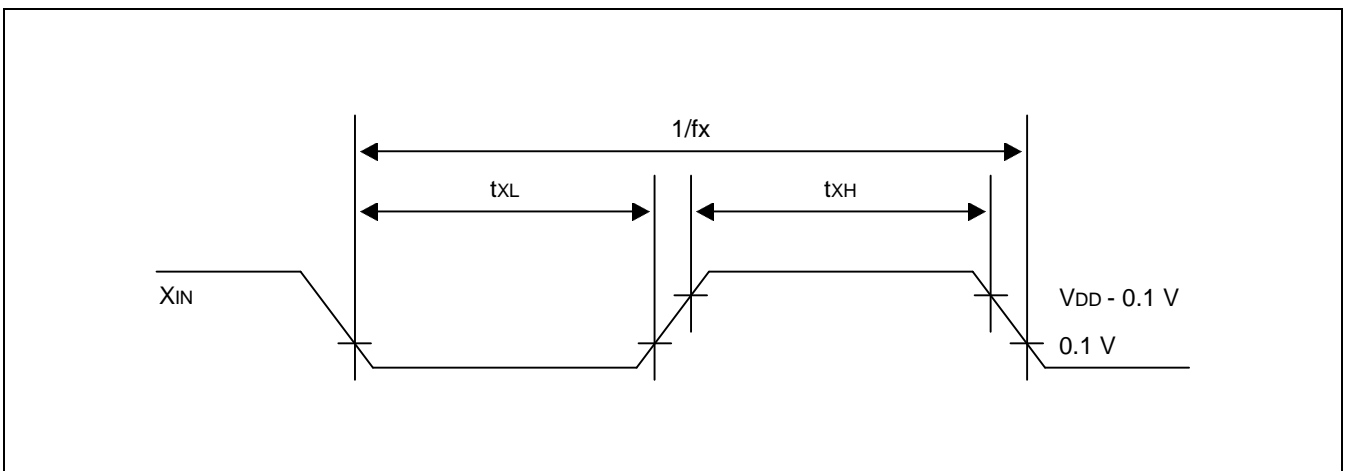


Figure 14-5. Clock Timing Measurement at  $X_{IN}$

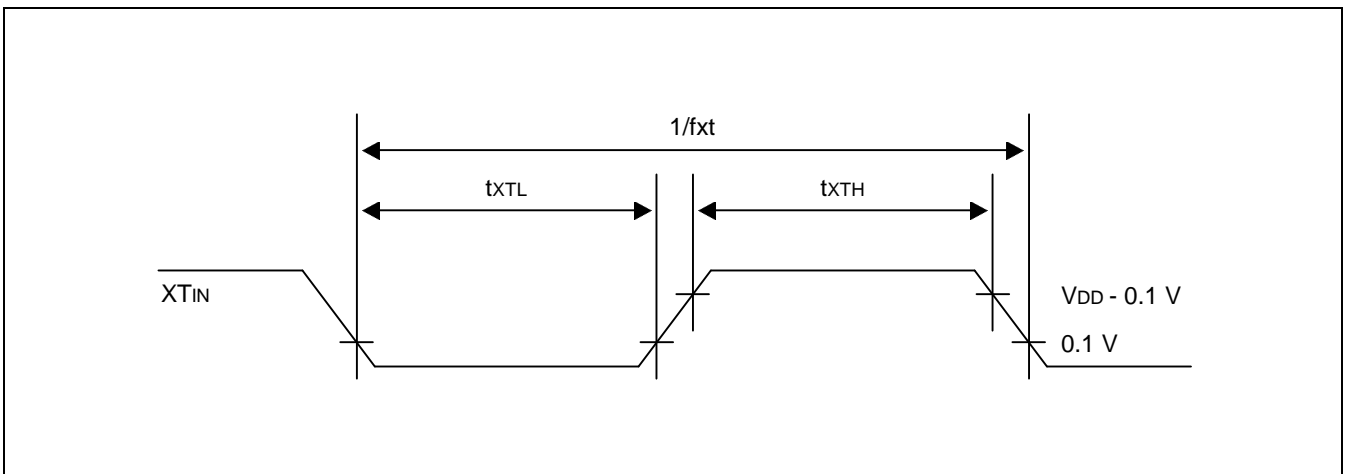


Figure 14-6. Clock Timing Measurement at  $XT_{IN}$



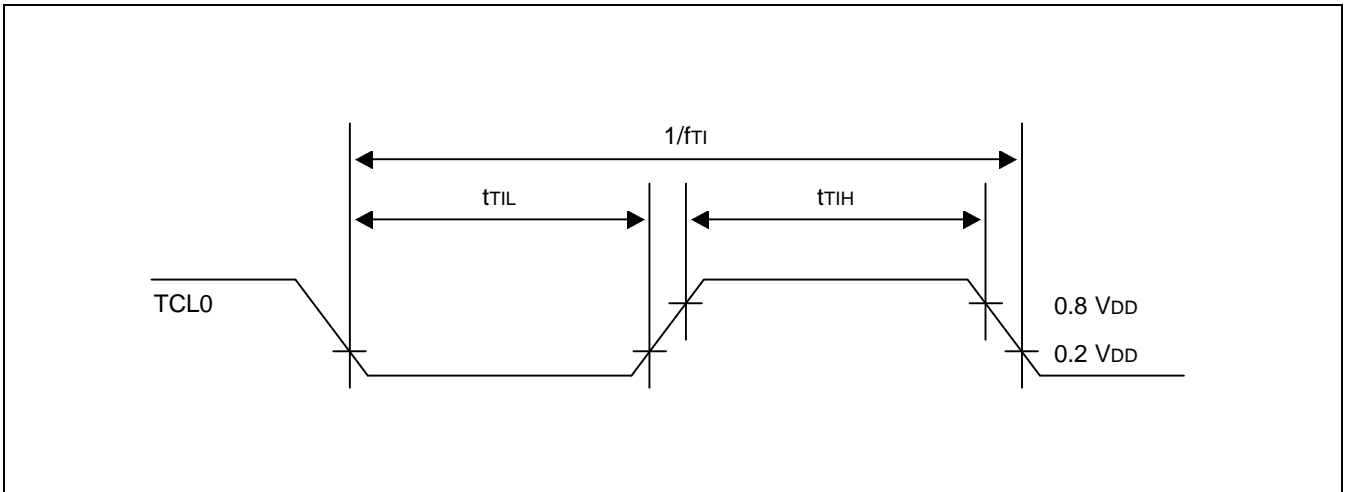


Figure 14-7. TCL Timing

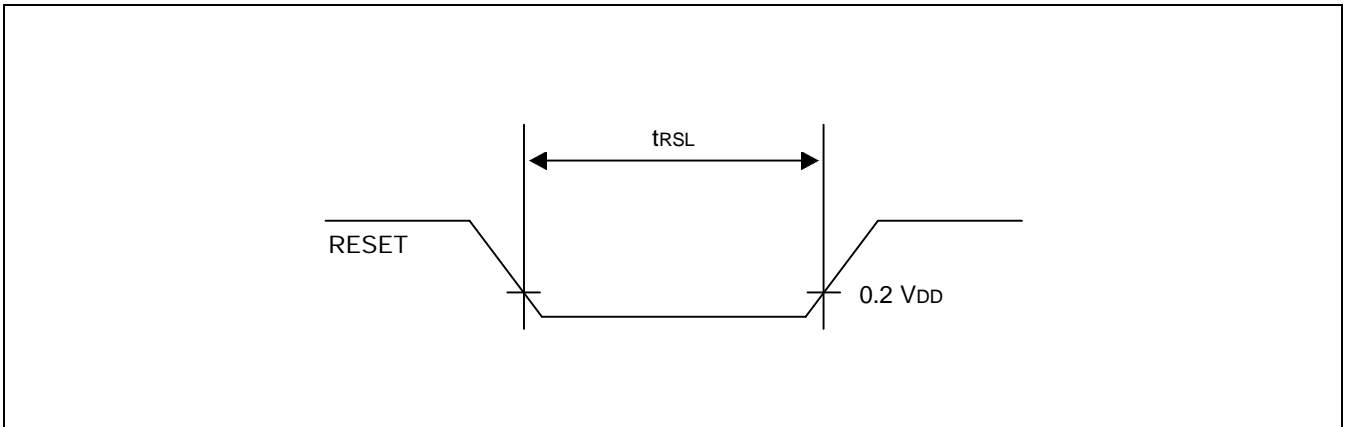


Figure 14-8. Input Timing for RESET Signal

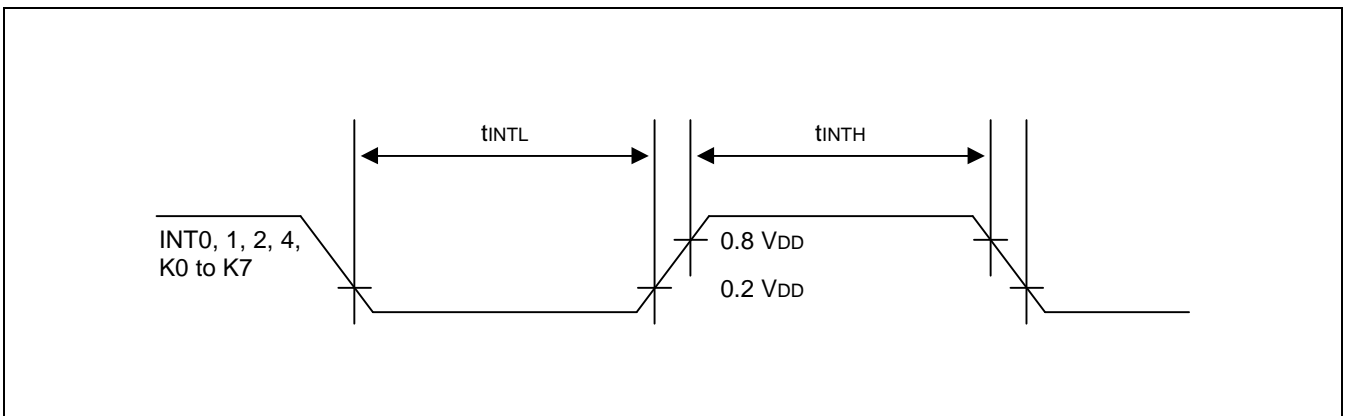


Figure 14-9. Input Timing for External Interrupts and Quasi-Interrupts

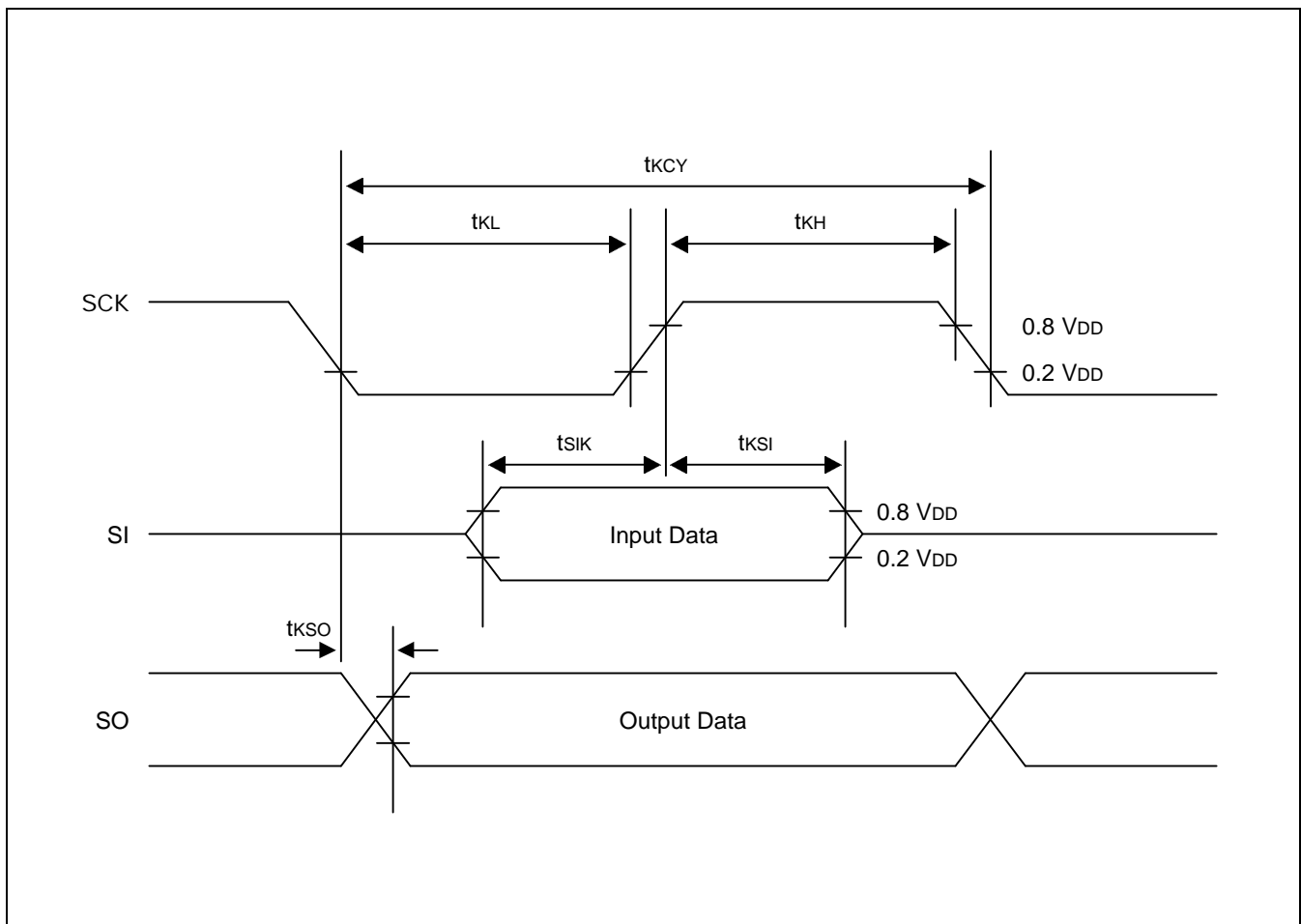


Figure 14-10. Serial Data Transfer Timing

# 15 MICCHANICAL DATA

## OVERVIEW

The S3C72I9 microcontrollers are available in a 100-QFP-1420C package.

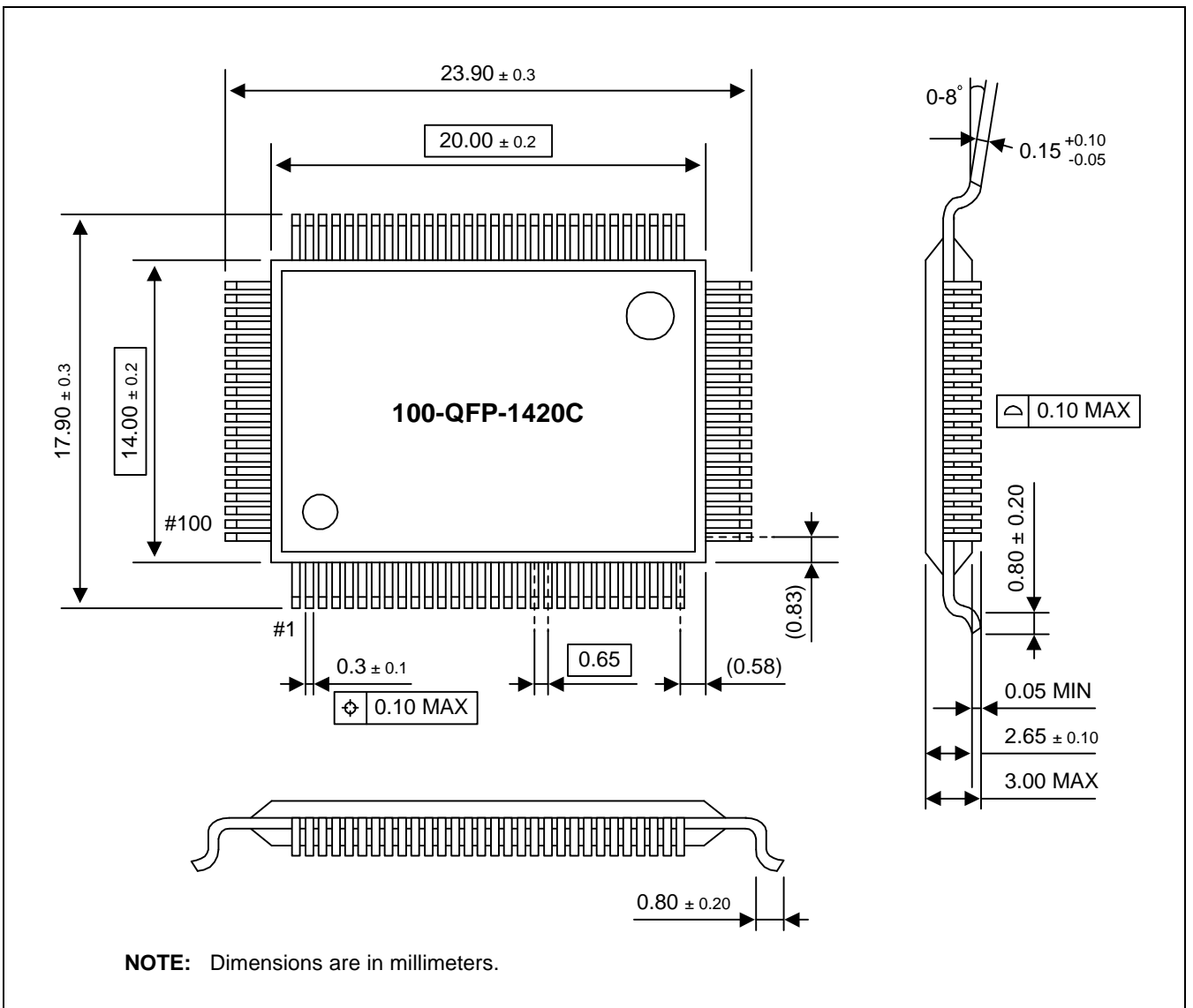


Figure 15-1. 100-QFP Package Dimension

# 16

## S3P72I9 OTP

### OVERVIEW

The S3P72I9 single-chip CMOS microcontroller is the OTP (One Time Programmable) version of the S3C72I9 microcontroller. It has an on-chip OTP ROM instead of masked ROM. The EPROM is accessed by serial data format.

The S3P72I9 is fully compatible with the S3C72I9, both in function and in pin configuration. Because of its simple programming requirements, the S3P72I9 is ideal for use as an evaluation chip for the S3C72I9.

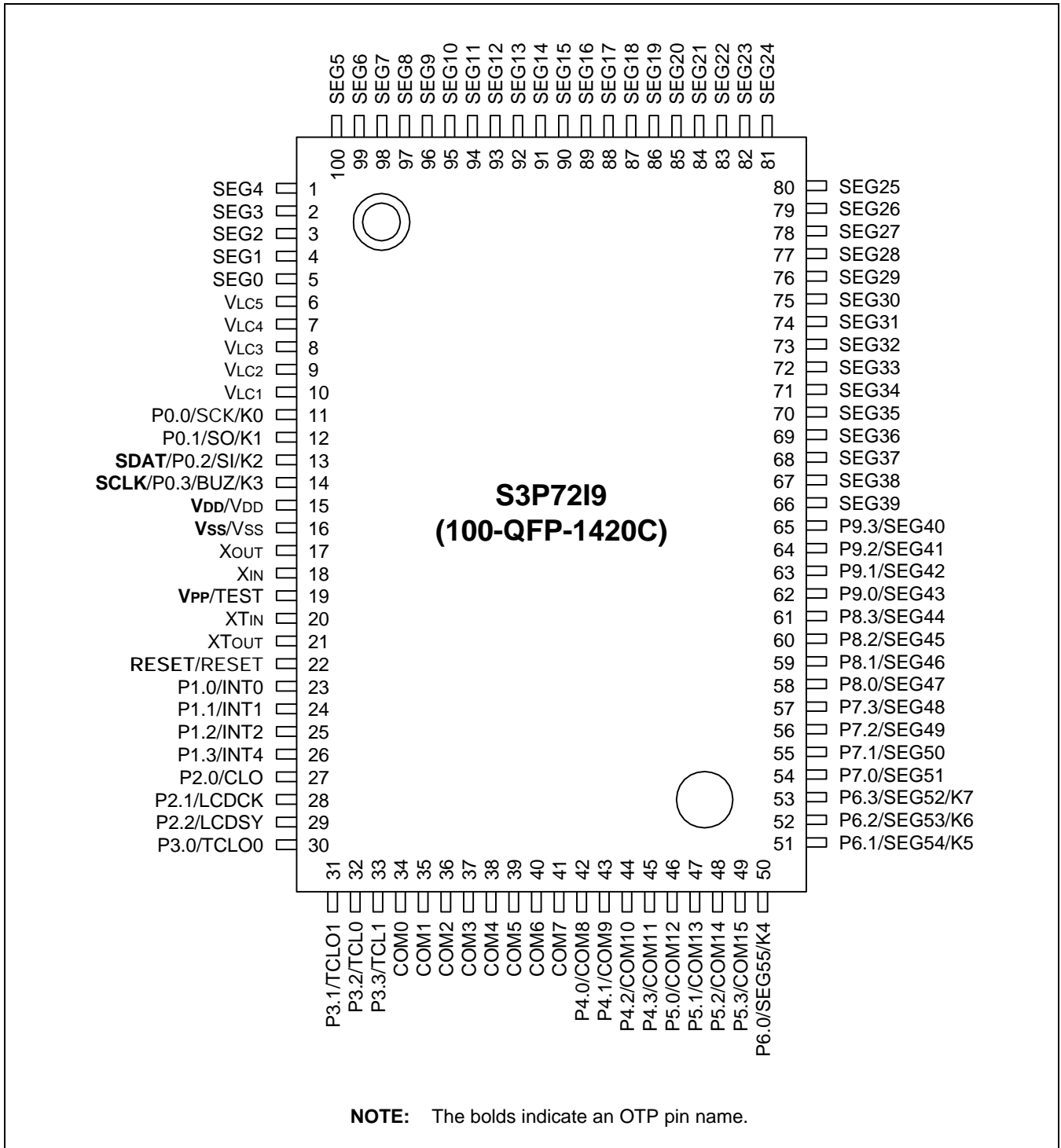


Figure 16-1. S3P72I9 Pin Assignments (100-QFP Package)

Table 16-1. Descriptions of Pins Used to Read/Write the EPROM

Main Chip Pin Name	During Programming			
	Pin Name	Pin No.	I/O	Function
P0.2	SDAT	13	I/O	Serial data pin. Output port when reading and input port when writing. Can be assigned as a Input/push-pull output port.
P0.3	SCLK	14	I/O	Serial clock pin. Input only pin.
TEST	V <sub>PP</sub> (TEST)	19	I	Power supply pin for EPROM cell writing (indicates that OTP enters into the writing mode). When 12.5 V is applied, OTP is in writing mode and when 5 V is applied, OTP is in reading mode. (Option)
RESET	RESET	22	I	Chip initialization
V <sub>DD</sub> /V <sub>SS</sub>	V <sub>DD</sub> /V <sub>SS</sub>	15/16	I	Logic power supply pin. V <sub>DD</sub> should be tied to + 5 V during programming.

Table 16-2. Comparison of S3P72I9 and S3C72I9 Features

Characteristic	S3P72I9	S3C72I9
Program Memory	32 Kbyte EPROM	32 Kbyte mask ROM
Operating Voltage (V <sub>DD</sub> )	1.8 V to 5.5 V	1.8 V to 5.5 V
OTP Programming Mode	V <sub>DD</sub> = 5 V, V <sub>PP</sub> (TEST) = 12.5 V	
Pin Configuration	100 QFP	100 QFP
EPROM Programmability	User Program 1 time	Programmed at the factory

## OPERATING MODE CHARACTERISTICS

When 12.5 V is supplied to the V<sub>PP</sub>(TEST) pin of the S3P72I9, the EPROM programming mode is entered. The operating mode (read, write, or read protection) is selected according to the input signals to the pins listed in Table 16-3 below.

Table 16-3. Operating Mode Selection Criteria

V <sub>DD</sub>	V <sub>PP</sub> (TEST)	REG/ MEM	Address (A15-A0)	R/W	Mode
5 V	5 V	0	0000H	1	EPROM read
	12.5 V	0	0000H	0	EPROM program
	12.5 V	0	0000H	1	EPROM verify
	12.5 V	1	0E3FH	0	EPROM read protection

**NOTE:** "0" means Low level; "1" means High level.

Table 16-4. D.C. Electrical Characteristics

(T<sub>A</sub> = -40 °C to +85 °C, V<sub>DD</sub> = 1.8 V to 5.5 V)

Parameter	Symbol	Conditions		Min	Typ	Max	Units		
Supply Current	I <sub>DD1</sub> (2)	V <sub>DD</sub> = 5 V ± 10%	6.0 MHz 4.19 MHz	-	5.1 3.9	10.0 7.5	mA		
		V <sub>DD</sub> = 3 V ± 10%	6.0 MHz 4.19 MHz		2.5 1.8	4.0 3.0			
	I <sub>DD2</sub> (2)	Idle mode; V <sub>DD</sub> = 5 V ± 10%	6.0 MHz 4.19 MHz		1.3 1.2	2.5 1.8			
		V <sub>DD</sub> = 3 V ± 10%	6.0 MHz 4.19 MHz		0.5 0.44	1.5 1.0			
	I <sub>DD3</sub> (3)	V <sub>DD</sub> = 3 V ± 10% 32 kHz crystal oscillator			-	22.8		35	μA
	I <sub>DD4</sub> (3)	Idle mode; V <sub>DD</sub> = 3 V ± 10% 32 kHz crystal oscillator				6.4		15	
	I <sub>DD5</sub>	Stop mode; V <sub>DD</sub> = 5 V ± 10%	SCMOD = 0000B			2.5		5	
		Stop mode; V <sub>DD</sub> = 3 V ± 10%	XT = 0V			0.5		3	
		Stop mode; V <sub>DD</sub> = 5 V ± 10%	SCMOD = 0100B			0.2		3	
		Stop mode; V <sub>DD</sub> = 3 V ± 10%			0.1	2			

**NOTES:**

1. Data includes power consumption for subsystem clock oscillation.
2. When the system clock control register, SCMOD, is set to 1001B, main system clock oscillation stops and the subsystem clock is used.
3. Currents in the following circuits are not included; on-chip pull-up resistors, internal LCD voltage dividing resistors, output port drive currents.

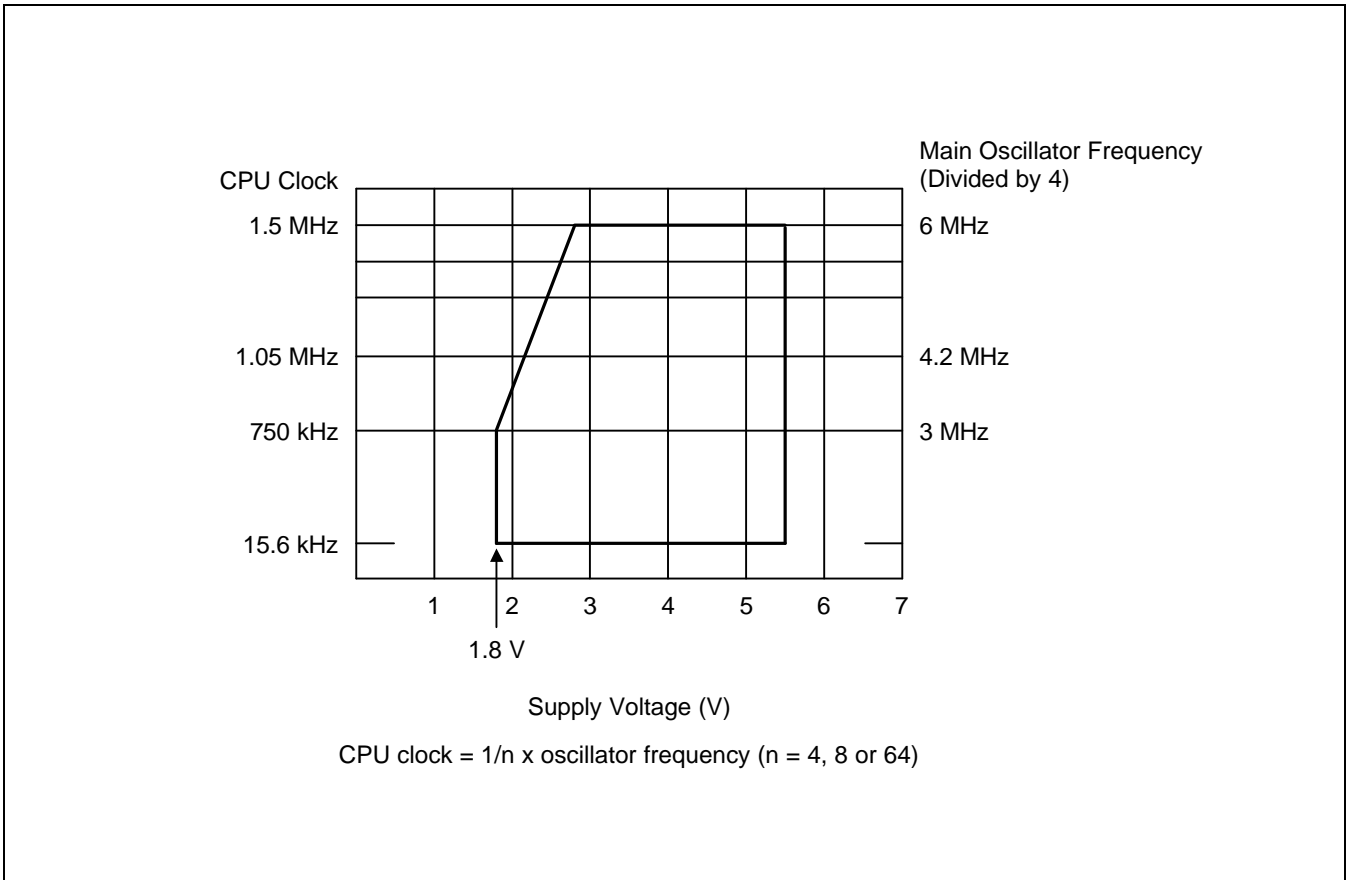


Figure 16-2. Standard Operating Voltage Range