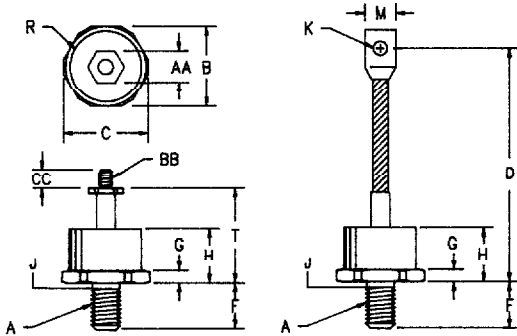


Silicon Power Rectifier S/R504 Series



Notes:

1. Full threads within 2 1/2 threads.
2. Standard Polarity: Stud is Cathode
Reverse Polarity: Stud is Anode

Dim.	Inches		Millimeter		Notes
	Minimum	Maximum	Minimum	Maximum	
A	3/4-16 UNF		---	---	1
B	1.218	1.250	30.93	31.75	
C	1.350	1.375	34.29	34.93	
D	5.30	5.90	134.62	149.86	
F	.793	.828	20.14	21.03	
G	.300	.325	7.62	8.25	
H	---	.900	---	22.86	
J	.660	.749	16.76	19.02	
K	.338	.348	8.58	8.84	2 Dia.
M	.665	.755	16.89	19.17	
N	.125	.172	3.18	4.37	
R	---	1.10	---	27.94	Dia.
T	1.80	1.875	45.72	47.63	
AA	.545	.580	13.84	14.73	
BB	3/8-24 UNF		---	---	
CC	.605	---	15.37	---	

D0205AB (D09)

Microsemi Catalog Number		Peak Reverse Voltage
Standard	Reverse	
S50420*	R50420*	200
S50440*	R50440*	400
S50460*	R50460*	600
S50480*	R50480*	800
S504100*	R504100*	1000
S505120*	R504120*	1200
S504140*	R504140*	1400
S505160*	R504160*	1600

*Add suffix "TS" to catalog number for Top Stud Device

- Glass to metal header construction
- High surge current capability
- Two case styles available
- Soft recovery
- Rugged construction

Electrical Characteristics		
Max average forward current	I _{F(AV)} 300 Amps	T _C = 153°C, Half sine wave, R _{θJC} = 0.15°C/W
Max surge current	I _{FSM} 5500 Amps	8.3ms, half sine, T _J = 200°C
Max. I ² t capability for fusing	I ² t 125990A ² S	less than 8.33ms
Max peak forward voltage	V _{FM} 1.25 Volts	I _F = 1000A; T _C = 25°C
Max peak reverse current	I _{RRM} 10mA	V _{RRM} , T _C = 150°C
Max peak reverse current	I _{RRM} 250 uA	V _{RRM} , T _C = 25°C
Max recommended operating frequency	7.5 kHz	

Thermal and Mechanical Characteristics		
Operating junction temp range	T _J	-65°C to 200°C
Storage temperature range	T _{STG}	-65°C to 200°C
Maximum thermal resistance	R _{θJC}	0.15°C/W Junction to case
Typical thermal resistance	R _{θCS}	.08°C/W Case to sink
Max mounting torque		325 inch pounds maximum
Max top stud torque		75 inch pounds maximum
Typical Weight		8.5 ounces (240 grams) typical

Microsemi Corp.
Colorado

S/R504

Figure 1
Typical Forward Characteristics

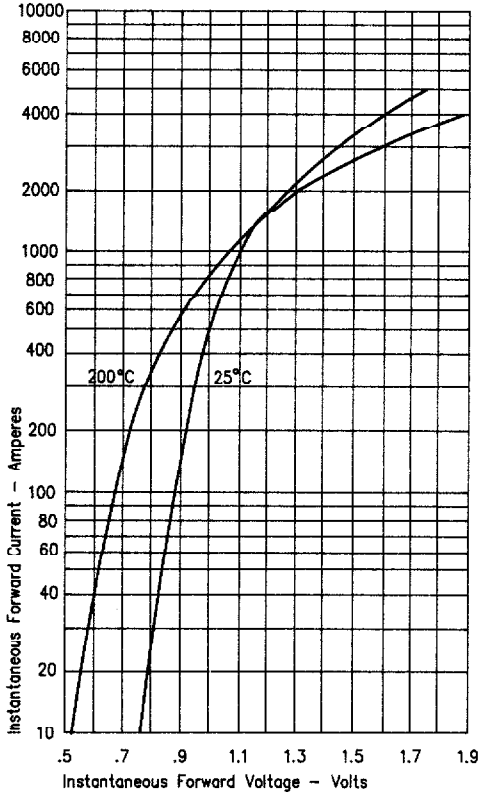


Figure 3
Forward Current Derating

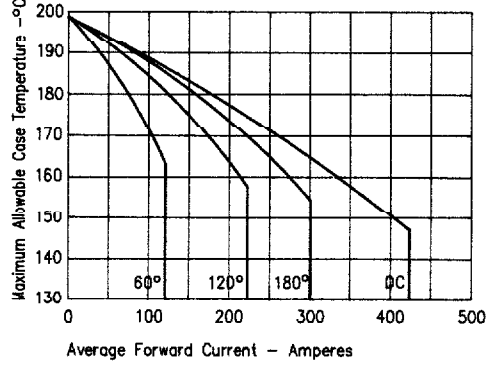


Figure 4
Maximum Forward Power Dissipation

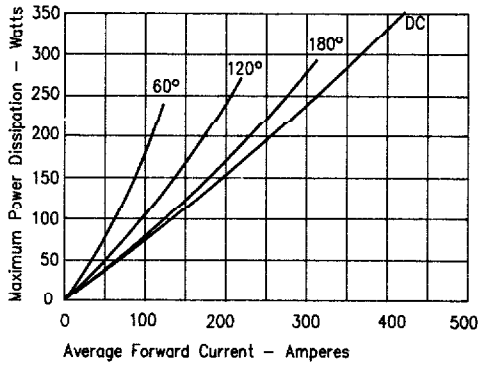


Figure 2
Typical Reverse Characteristics

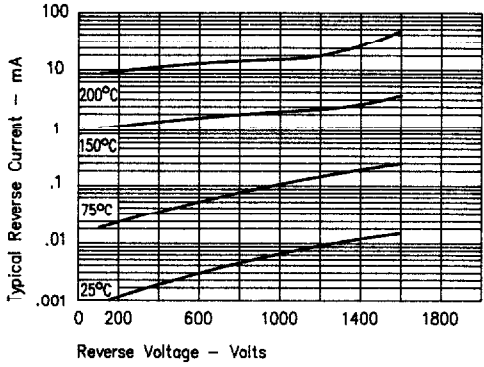
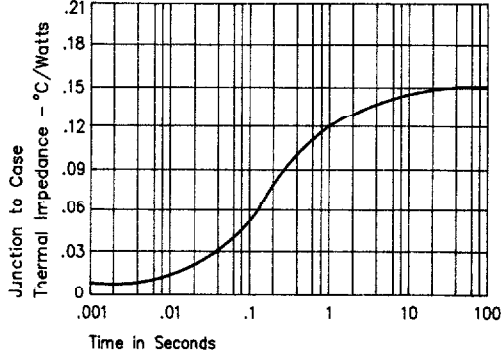


Figure 5
Transient Thermal Impedance



S/R504

