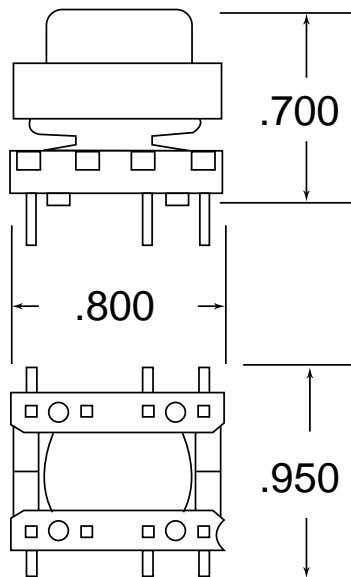
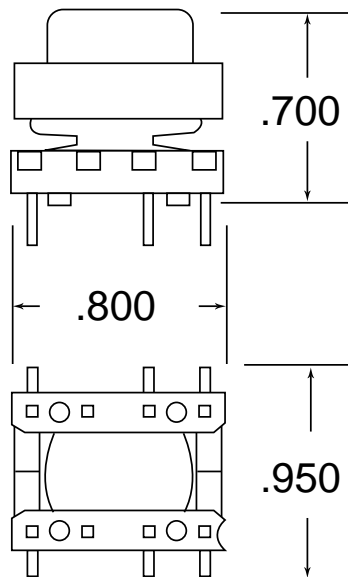


CONVERTER TRANSFORMERS AND FILTER CHOKE FOR USE WITH MOTOROLA MC33362 AND MC33363

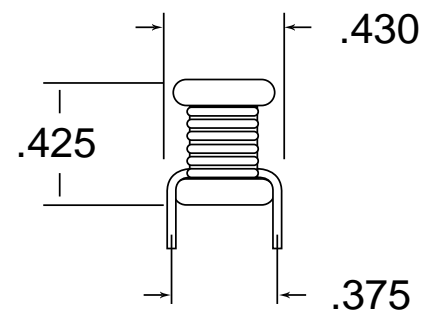
S5069-A



S5502-A



S5088-A



Inductance Pins 1-8 = 370 μ H \pm 10%*

DC Resistance:

Pins 1-8 = .290 Ω Max

Pins 2-7 = .200 Ω Max

Pins 5-4 = .008 Ω Max

Isolation Pri - Sec = 1500 Vrms

*Tested at 100 kHz, .6 Vrms

20 Watts Output, 92-138 V ac Input

Inductance Pins 1-8 = 100 μ H \pm 10%**

DC Resistance:

Pins 1-8 = .595 Ω Max

Pins 2-7 = .135 Ω Max

Pins 5-4 = .010 Ω Max

Isolation Pri - Sec = 1500 Vrms

**Tested at 100 kHz, .8 Vrms

8 Watts Output, 85-265 V ac Input

Inductance = 5 μ H \pm 10%***

DC Resistance: .011 Ω Max

Saturation Current = 5 A DC

Rated Continuous Current =

2.7 A DC

***Tested at 100 kHz, .1 Vrms