



ISDN S-INTERFACE ISOLATION TRANSFORMER P/N:S5798B DATA SHEET

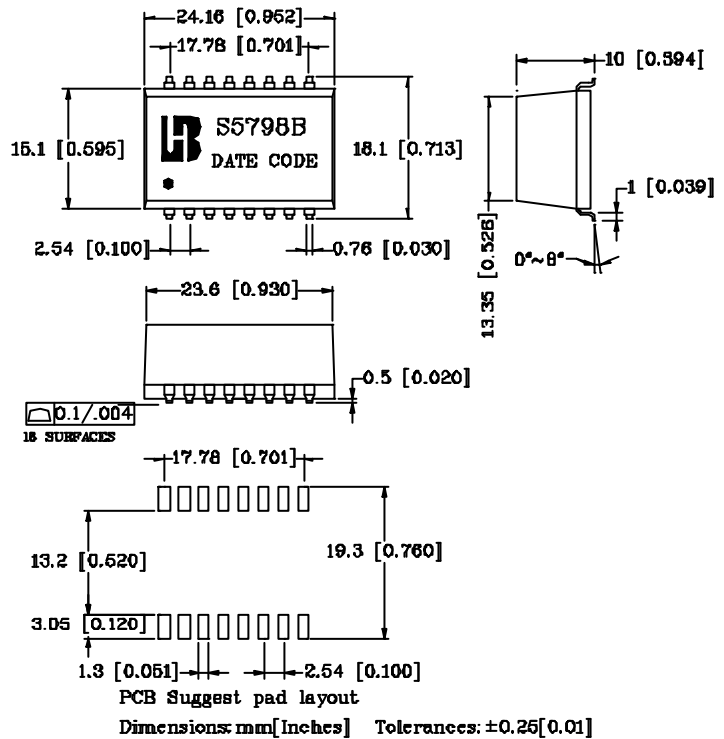
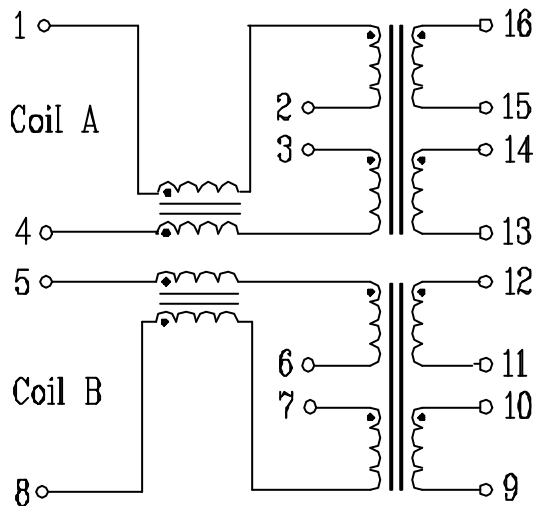
A. General Specifications

1. Surface mount ,dual
2. 2KVrms isolation voltage
3. Tube packaging
4. Excellent longitudinal balance .

B. Electrical Specifications@25° C

1. Turns Ratio(±5%) : 1:2.5 (Coil A & Coil B)
2. OCL Pri : 22 mH Min @10KHz/0.2Vrms
3. L.L Sec : 8-40 ì H Max (Coil A & Coil B)
4. CW/W : 100 pF Max@100KHz/0.2Vrms(Coil A & Coil B)
5. CDpri :180 pF Max (Coil A & Coil B)
6. DCR Pri/Sec(± 25%): 2.5 (Coil A & Coil B) & 5.8 (Coil A & Coil B)
7. idc(E): 1.0 mA Max
8. Choke : 4×4700(ì H Min)

C. Schematics & Mechanical :



www.DataSheet4U.com

www.DataSheet4U.com

Prepared :Qingli Wu

Approved: Xu Wenbing

Date : 2001/07/16