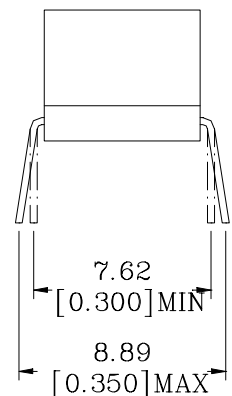
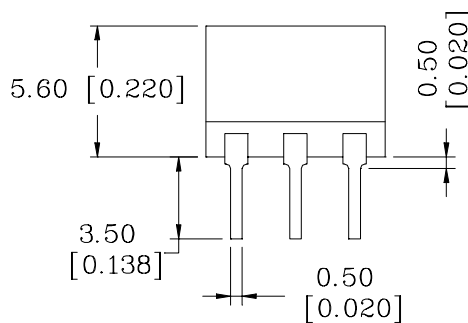
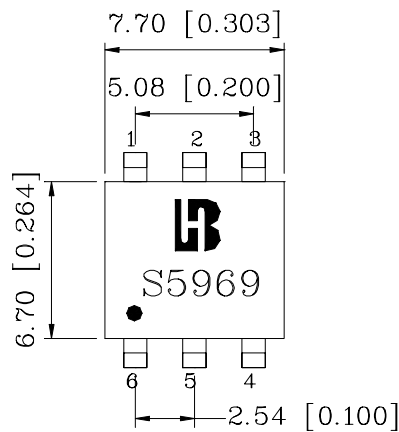
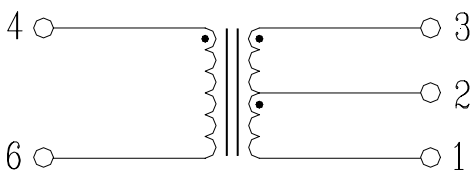


**P/N: S5969 DATA SHEET****Feature**

- Fast rise time compatible with standards.
- Surface mount packages available.
- Operating temperature range: 0°C to +70°C.
- Storage temperature range: -25°C to +125°C.

Electrical Specifications @ 25°C

Part Number	Turns Ratio (±2%)	OCL (uH Min)	L.L (uH Max)	C _{www} (pF Max)	Bandwidth with 75 Ω system (Typ)	PRI Pins	HI-POT (Vrms)
S5969	1:2CT	19	0.06	10	0.25-500MHz	4-6	1500

Schematic**Mechanical**

www.DataSheet4U.com

Units: mm [Inches] Tolerances: xx.x0±0.25 [0.010]
0.xx±0.05 [0.002]

www.DataSheet4U.com