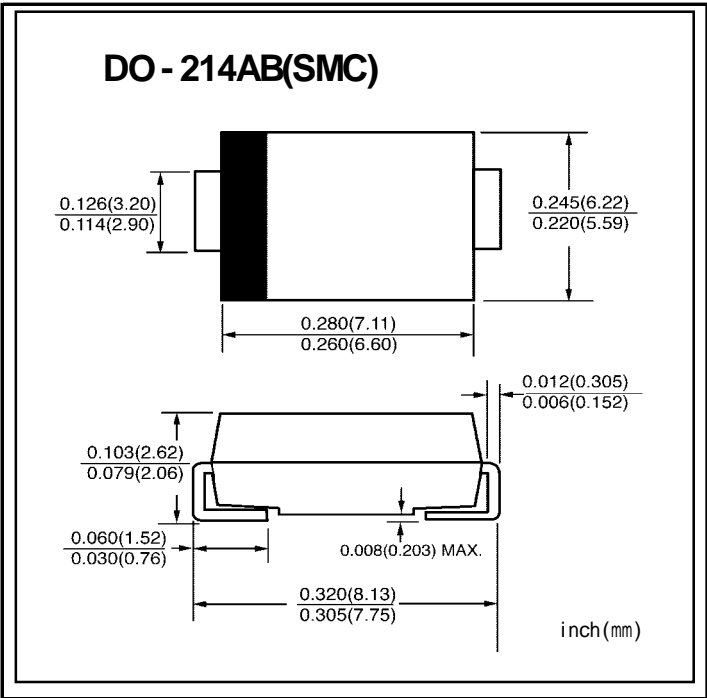


## SURFACE MOUNT RECTIFIER

REVERSE VOLTAGE: 50 --- 1000 V  
CURRENT: 5.0 A

- FEATURES**
- ◇ Plastic package has underwriters laboratory flammability classification 94V-0
  - ◇ For surface mounted applications
  - ◇ Low profile package
  - ◇ Built-in strain relief, ideal for automated placement
  - ◇ Glass passivated chip junction
  - ◇ High temperature soldering:  
250°C/10 seconds at terminals
- MECHANICAL DATA**
- ◇ Case: JEDEC DO-214AB, molded plastic over passivated chip
  - ◇ Terminals: Solder plated, solderable per MIL-STD-750, Method 2026
  - ◇ Polarity: Color band denotes cathode end
  - ◇ Weight: 0.007 ounces, 0.21 gram



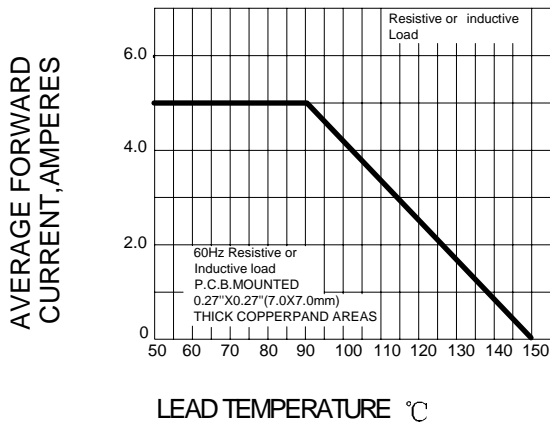
## MAXIMUM RATINGS AND ELECTRICAL CHARACTERISTICS

Ratings at 25°C ambient temperature unless otherwise specified

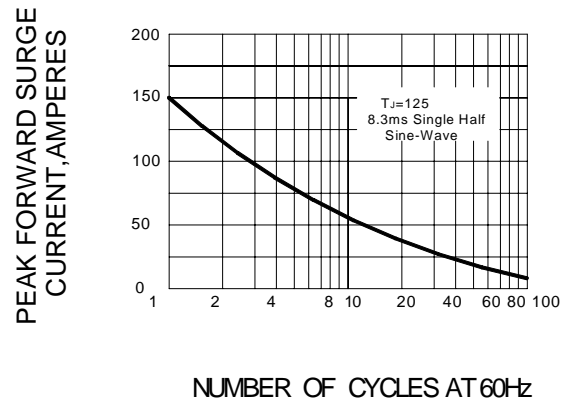
		S5AC	S5BC	S5DC	S5GC	S5JC	S5KC	S5MC	UNITS
Maximum recurrent peak reverse voltage	$V_{RRM}$	50	100	200	400	600	800	1000	V
Maximum RMS voltage	$V_{RWS}$	35	70	140	280	420	560	700	V
Maximum DC Blocking Voltage	$V_{DC}$	50	100	200	400	600	800	1000	V
Maximum average forward rectified current @ $T_J = 90^\circ\text{C}$	$I_{F(AV)}$	5.0							A
Peak forward surge current 8.3ms single half-sine-wave superimposed on rated load (JEDEC Method)	$I_{FSM}$	150							A
Maximum Instantaneous forward voltage at 5.0 A	$V_F$	1.15							V
Maximum DC reverse current @ $T_A = 25^\circ\text{C}$ at rated DC blocking voltage @ $T_A = 125^\circ\text{C}$	$I_R$	10 250							$\mu\text{A}$
Typical junction capacitance	$C_J$	35							pF
Typical thermal resistance (NOTE 2)	$R_{\theta JA}$	40							$^\circ\text{C/W}$
Operating junction and storage temperature range	$T_J T_{STG}$	-55-----+150							$^\circ\text{C}$

NOTE: 1. Measured at 1.0MHz and applied reverse voltage of 4.0 Volts  
2. Thermal resistance from junction to ambient and junction to lead P.C.B. mounted on 0.27"X0.27"(7.0X7.0mm<sup>2</sup>) copper pad areas

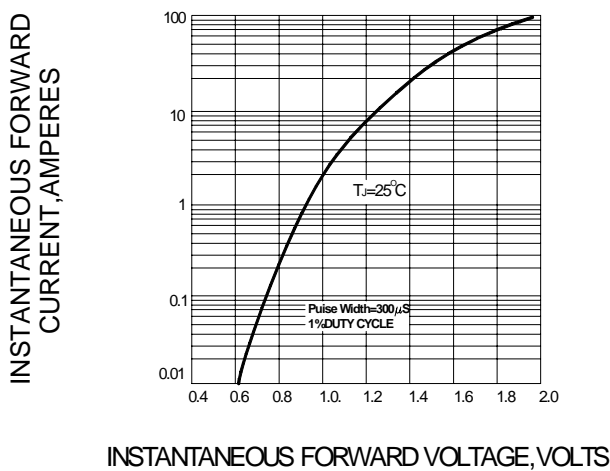
**FIG.1 – FORWARD DERATING CURVE**



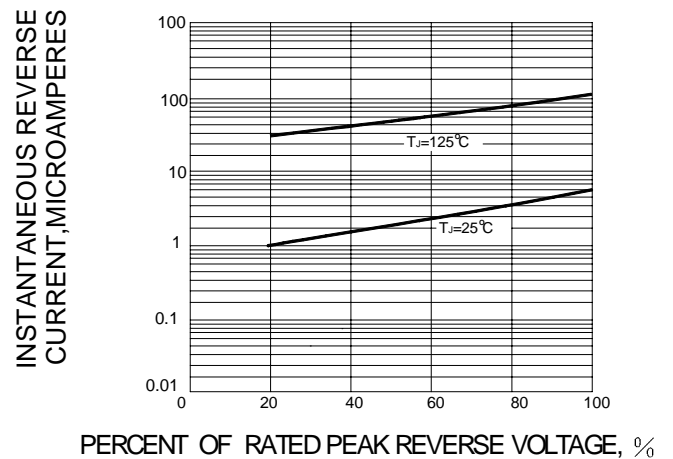
**FIG.2 PEAK FORWARD SURGE CURRENT**



**FIG.3 – TYPICAL FORWARD CHARACTERISTICS**



**FIG.4 – TYPICAL REVERSE CHARACTERISTICS**



**FIG.5-TYPICAL JUNCTION CAPACITANCE**

