

# **S5N8951X**

**G.dmt**  
**ADSL Analog Front End IC**

Preliminary Information  
(Revision 1.0)

July 2000

SAMSUNG ELECTRONICS CONFIDENTIAL PROPRIETARY

Copyright ©1999-2000 Samsung Electronics, Inc. All Rights Reserved

<i>Contents</i>	<i>Page</i>
1 Overview .....	3
<b>1.1 General Description</b> .....	<b>3</b>
<b>1.2 Features</b> .....	<b>3</b>
<b>1.3 Absolute Maximum Ratings</b> .....	<b>4</b>
<b>1.4 Electrical Specifications</b> .....	<b>4</b>
2 Signal description .....	6
<b>2.1 Functional Block Diagram</b> .....	<b>6</b>
<b>2.2 I/O Pins Descriptions</b> .....	<b>7</b>
<b>2.3 Pin Configurations</b> .....	<b>9</b>
3 Block Description .....	10
<b>3.1 ADC/DAC</b> .....	<b>10</b>
<b>3.2 Tx/Rx LPF</b> .....	<b>10</b>
<b>3.3 Tx/Rx AGC</b> .....	<b>10</b>
4 Digital Signal Interface .....	11
<b>4.1 Command Signal Interface</b> .....	<b>11</b>
<b>4.2 Data Signal Interface</b> .....	<b>18</b>
5 Application Circuit .....	19
<b>5.1 ATU-R</b> .....	<b>19</b>
<b>5.2 ATU-C</b> .....	<b>20</b>
6 Package Information .....	21

## 1. OVERVIEW

This chapter provides an overview of the S5N8951X01 ADSL ATU-C & ATU-R Analog Front End Chip.

---

### 1.1 General Descriptions

---

The S5N8951X01 is Analog Front End IC designed for DMT based universal ADSL(Asymmetric Digital Subscribe Line) modems with 0.35u fully CMOS technology.

It has 25.875 ~ 138KHz Upstream channel and 142.312 ~ 1104KHz bandwidth Downstream channel. The S5N8951X01 includes AGC, LPF, ADC, DAC. The AGC has 42dB gain 0.4dB step in RX mode and -24dB gain 2dB step in TX mode with 12bit/8bit control bits. Anti alias LPF has 1104KHz passband frequency in RX path and 138KHz in TX path. Samsung's ADSL AFE chip provides 14bit ADC at 4.416M or 8.832M sample rates and 14bit 4.416MHz, 8.832MHz DAC.

An 10bit DAC support VCXO control for timing recovery. The VCXO is divided into a crystal driver at 35.328MHz.

---

### 1.2 Features

---

- Integrated Analog Front End(AFE) for ADSL ATU-C & ATU-R
- Complies with G.dmt and G.lite
- Up to 1104Kbit/s down stream and 138Kbit/s upstream channel
- 14bit 4.416MS/s or 8.832MS/s ADC
- 14bit 4.416MHz or 8.832MHz DAC
- 5<sup>th</sup>-order Low Pass anti-alias Filter TX/RX paths
- RX 42dB 0.4dB step gain range with 12bit control signal
- TX -24dB 2dB step gain range with 8bit control signal
- 10bit 4KHz VCXO DAC
- Fully 0.35um CMOS technology
- 3.3V Power supply operation
- 0.4W Power consumption

**1.3 Absolute  
Maximum Ratings**

Symbol	Parameter	Min	Typ	Max	Units
V <sub>DD</sub>	DC Supply Voltage	-0.3		3.8	V
V <sub>IN</sub>	DC input Voltage	-0.3		V <sub>DD</sub> +0.3	V
	5V tolerant	-0.3		5.5	V
I <sub>IN</sub>	DC input Current	-10		10	mA
T <sub>OPR</sub>	Operation Temperature	-40		85	degree C
T <sub>STG</sub>	Storage Temperature	-40		125	degree C

**1.4 Electrical  
Specifications**

Parameter	Min	Typ	Max	Units	Notes/Conditions
<b>General</b>					
Power Supply	3.0	3.3	3.6	V	
Power Consumption		450		mW	Normal Operation
<b>Rx Path</b>					
THD		70			
SNR		70			
AGC Gain Range	0		42	dB	12bit Control
AGC Step Size		0.4		dB	
AGC Step Error			0.2	dB	
AGC Input Range			2	V <sub>ppd</sub>	
LPF Cut Off Frequency		1104		KHz	5 <sup>th</sup> Butterworth
LPF Output Range			2	V <sub>ppd</sub>	
LPF Pass Band Ripple	-0.5		0.5	dB	
LPF Stop Band Attenuation	60			dB	at 4.416MHz
<b>TX Path</b>					
THD		70			
SNR		70			
AGC Gain Range	-24		0	dB	8bit Control
AGC Step Size		2		dB	
AGC Step Error			0.2	dB	
AGC Output Range			2	V <sub>ppd</sub>	
LPF Cut Off Frequency		138		KHz	5 <sup>th</sup> Chebyshev
LPF Pass Band Ripple	-0.5		0.5	dB	
LPF Stop Band Attenuation	24			dB	at 276KHz
LPF Input Range			2	V <sub>ppd</sub>	
<b>ADC</b>					

Resolution		14		bits	
Effective Number Of Bits		13		bits	
Sampling Rate		4.416		MHz	Selectable 8.832MHz
Full Scale Input Range		2.0		Vppd	
<b>DAC</b>					
Resolution		14		bits	
Effective Number Of Bits		12		bits	
Sampling Rate		4.416		MHz	Selectable 8.832MHz
Full Scale Output Range		2.0		Vppd	
<b>VCXO DAC</b>					
Resolution		10		bits	
Sampling Rate		4		KHz	
Maximum Output Range		2.5		V	
Minimum Output Range		0.5		V	

**2. SIGNAL DESCRIPTION**

**2.1 Functional Block Diagram**

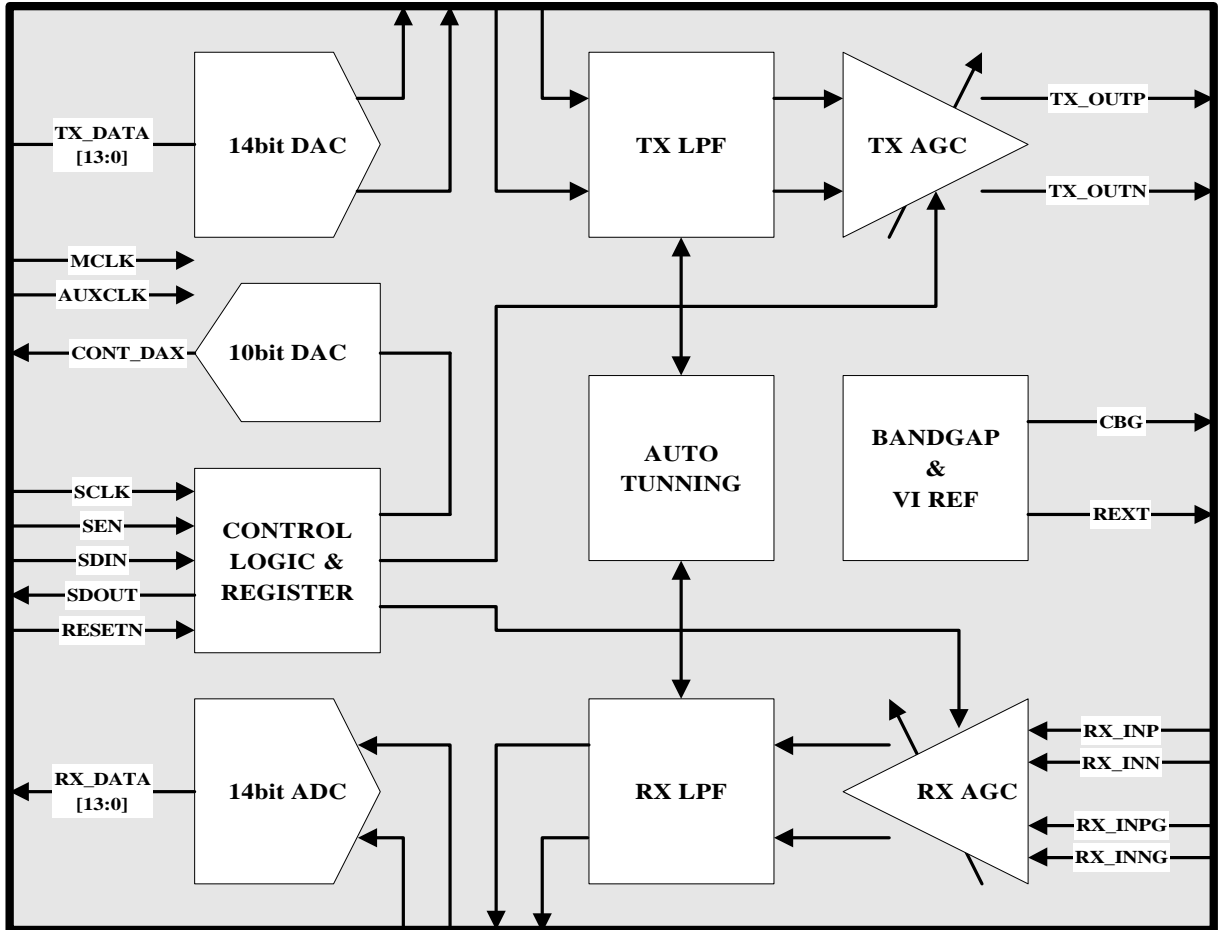


Figure 2.1.1 S5N8951X01 Functional Block Diagram

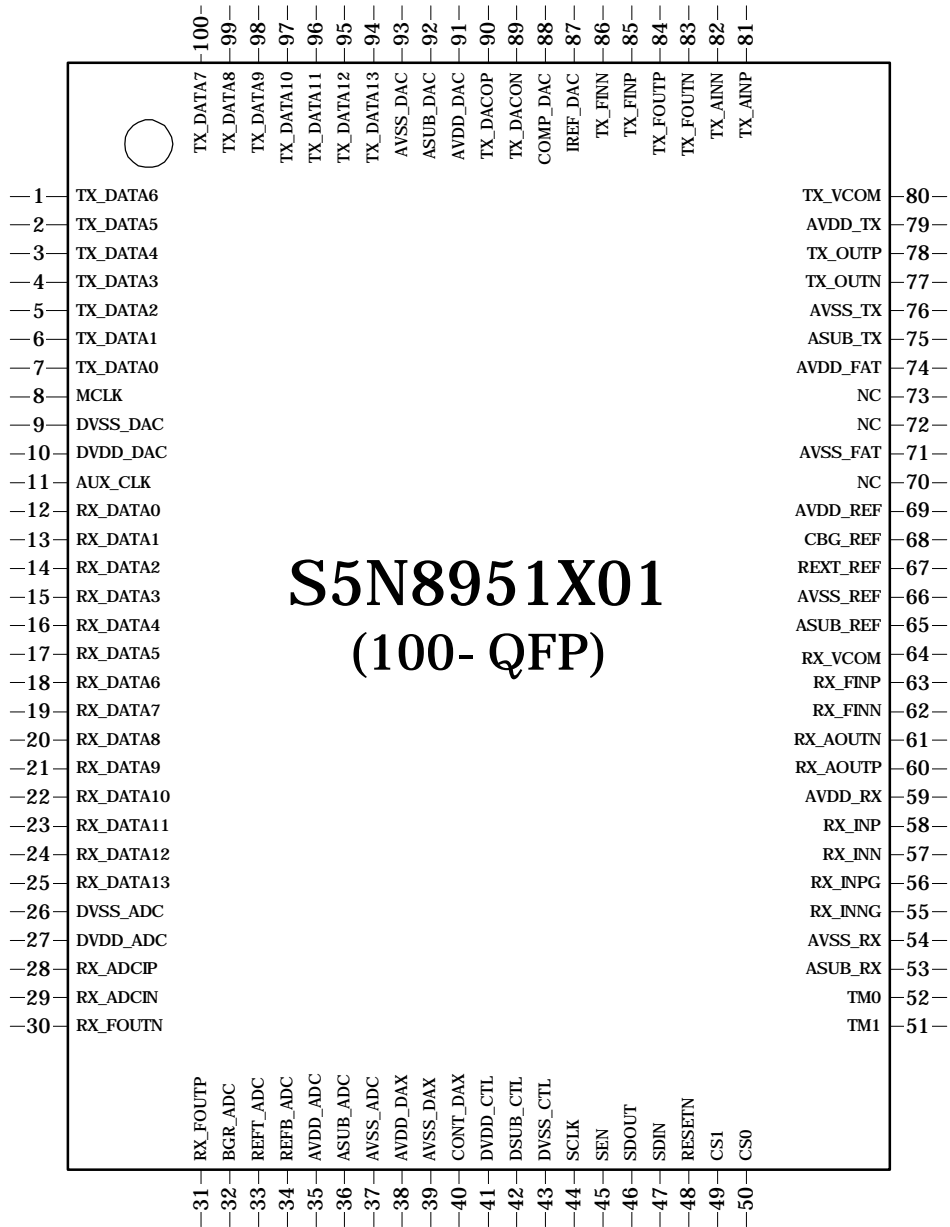
**2.2 I/O Pins Description**

Signal Name	Num	Type	I/O	Description
<b>General Pins</b>				
RESETN	48	CMOS	I	System Reset. Active Low
CS1	49	CMOS	I	Chip Select
CS0	50	CMOS	I	Chip Select
TM1	51	CMOS	I	Digital Interface Selection "0" = 14bits , "1"=7bits*2
TM0	52	CMOS	I	"0" = RT , "1" = CO
<b>DAC Interface</b>				
TX_DATA[13:0]	94~100, 1~7	CMOS	I	DAC 14bit Data Inputs If TM1=1, TX_DATA[13:7] is invalid
MCLK	8	CMOS	I	Master Clock 8.832MHz(Selectable 17.664MHz)
AUXCLK	11	CMOS	I	In 7bits Data Interface mode, AUXCLK=MCLK/2 In 14bits Data Interface mode, pin is open or ground.
TX_DACOP	90	Analog	-	DAC Current Positive Output for TX path
TX_DACON	89	Analog	-	DAC Current Negative Output for TX path
COMP_DAC	88	Analog	-	Compensation Capacitor 0.1uF Connection for TX path
IREF_DAC	87	Analog	-	External Resistor 1.24k Connection
<b>ADC Interface</b>				
RX_DATA[13:0]	12 ~ 25	CMOS	O	ADC 14bit Data Outputs ( If TM1=1, [13:7] is always low)
RX_ADCIP	28	Analog	-	ADC Positive Input
RX_ADCIN	29	Analog	-	ADC Negative Input
BGR_ADC	32	Analog	-	ADC Band gap Reference Output
REFT_ADC	33	Analog	-	ADC Top Reference Output
REFB_ADC	34	Analog	-	ADC Bottom Reference Output
<b>DSP Interface</b>				
SCLK	44	CMOS	I	Serial Data Clock
SEN	45	CMOS	I	Serial Data Enable
SDOUT	46	CMOS	O	Serial Data Output
SDIN	47	CMOS	I	Serial Data Input
<b>TX Pass Interface</b>				
TX_OUTP	78	Analog	-	Tx Analog Positive Output
TX_OUTN	77	Analog	-	Tx Analog Positive Output
TX_FINP	85	Analog	-	Tx Filter Analog Positive Input
TX_FINN	86	Analog	-	Tx Filter Analog Negative Input
<b>RX Pass Interface</b>				
RX_INP	58	Analog	-	Rx Analog Positive Input
RX_INN	57	Analog	-	Rx Analog Negative Input
RX_INPG	56	Analog	-	Rx Analog External -14dB Gain Positive Input
RX_INNG	55	Analog	-	Rx Analog External -14dB Gain Negative Input
RX_FOUTP	31	Analog	-	Rx Filter Analog Positive Output
RX_FOUTN	30	Analog	-	Rx Filter Analog Negative Output
<b>Voltage Reference</b>				

TX_VCOM	80	Analog	-	TX Pass Common Mode Voltage
RX_VCOM	64	Analog	-	Rx Pass Common Mode Voltage
CBG_REF	68	Analog	-	Bandgap Reference Compensation Capacitor 100pF
REXT_REF	67	Analog	-	Reference Current External Resistor 6.8K
<b>VCXO Interface</b>				
CONT_DAX	40	Analog	-	VCXO Control Voltage Output <b>(Only RT)</b>
<b>CO Pass (TM0 = "1")</b>				
RX_AOUTP	60	Analog	-	Rx AGC Analog Positive Output
RX_AOUTN	61	Analog	-	Rx AGC Analog Negative Output
RX_FINN	62	Analog	-	Rx Filter Analog Negative Input
RX_FINP	63	Analog	-	Rx Filter Analog Positive Input
TX_AINP	81	Analog	-	Tx AGC Analog Positive Input
TX_AINN	82	Analog	-	Tx AGC Analog Positive Input
TX_FOUTN	83	Analog	-	Tx Filter Analog Negative Output
TX_FOUTP	84	Analog	-	Tx Filter Analog Negative Output
<b>Power Supply</b>				
AVDD_DAC	91	Supply	-	Tx Analog DAC VDD
ASUB_DAC	92	Supply	-	Tx Analog DAC SUB
AVSS_DAC	93	Supply	-	Tx Analog DAC VSS
DVDD_DAC	10	Supply	-	Tx Digital DAC VDD
DVSS_DAC	9	Supply	-	Tx Digital DAC VSS
AVDD_DAX	38	Supply	-	VCXO DAC Analog VDD
AVSS_DAX	39	Supply	-	VCXO DAC Analog VSS
AVDD_ADC	35	Supply	-	Rx Analog ADC VDD
ASUB_ADC	36	Supply	-	Rx Analog ADC SUB
AVSS_ADC	37	Supply	-	Rx Analog ADC VSS
DVDD_ADC	27	Supply	-	Rx Digital ADC VDD
DVSS_ADC	26	Supply	-	Rx Digital ADC VSS
AVDD_TX	79	Supply	-	Tx Path VDD
AVSS_TX	76	Supply	-	Tx Path VSS
ASUB_TX	75	Supply	-	TX Path SUB
AVDD_FAT	74	Supply	-	Filter Auto Tuning VDD
AVSS_FAT	71	Supply	-	Filter Auto Tuning VSS
AVDD_RX	59	Supply	-	Rx Filter VDD
AVSS_RX	54	Supply	-	Rx Filter VSS
ASUB_RX	53	Supply	-	Rx Filter SUB
AVDD_REF	69	Supply	-	Reference VDD
AVSS_REF	66	Supply	-	Reference VSS
ASUB_REF	65	Supply	-	Reference SUB
DVDD_CTL	41	Supply	-	Control Logic VDD
DSUB_CTL	42	Supply	-	Digital Substrate VSS
DVSS_CTL	43	Supply	-	Control Logic VSS



**2.3 Pin Configurations ( Top View)**



### 3. BLOCK DESCRIPTIONS

#### 3.1 ADC / DAC

S5N8951X01 has a 14bit resolution ADC 4.416M/8.832M sample frequency. The input of ADC is fully differential 2.0Vppd Max. The ADC transforms the signal into a digital 14bit output.

There are two type of DAC's in S5N8951X01. One is for TX. It is 14bit 4.416MHz/8.832MHz frequency. Samsung's DMT(S5N8950) transmit 14bit parallel data to the AFE chip. The other DAC is for VCXO control. It has 10bit resolution 4KHz frequency. Internal registers of S5N8951X01 transform 10bit VCXO control serial data from DSP into 10bit parallel data. And VCXO output analog signal CONT\_DAX(Pin #40).

#### 3.2 TX/RX LPF

##### 3.2.1 RX FILTERS

The combination of the external filter ( an LC ladder filter typically ) with the integrated low pass filter must provide:

- DMT sidelobe and out of band ( anti-aliasing ) attenuation
- Anti alias filter ( 60dB rejection @ image frequency )
- On chip tuning circuit included.

##### 3.2.2 TX FILTERS

The TX Filters act not only to suppress the DMT sidebands but also as smoothing filters on the D/A converter's output to suppress the image spectrum. For this reason they are realized in a time continuous approach and on chip tuning circuit included

#### 3.3 TX/RX AGC

TX AGC has 0~-24dB gains with 2dB step. It is controlled through 8bit serial digital signal from DSP. Internal registers of Samsung AFE Chips transform 8bit parallel control data. It outputs 2Vppd fully differential signal to line driver.

RX AGC has low noise 0~42dB gains with 0.4dB step and It is controlled through 12bit + 1MSB control signal. If 1MSB is high, another RX input pass pin#55 RX\_INNG #56 RX\_INNP(external -14dB gain pass) is selected. It inputs 2Vppd fully differential signal to RX LPF.

**4. DIGITAL SIGNAL INTERFACE**
**4.1 Command Signal Interface**

This description hold for ATU-R (S5N8951X01).

The chip consists of four kinds of register map:

- Power Control
- Transmitter AGC
- Receiver AGC
- VCXO Control
- Clock Selection

Serial interfaces use three pins:

- Clock
- Serial data input(25-bit: 2bit cs + 5bit address + 1bit r/w + 16 bit data + 1bit dummy)
- Serial data output(16 bit data)
- Enable

Serial Data Configuration

REGISTER	Serial Data (SDAT)																									
	CS		ADDRESS					R / W	DATA																DUMMY	
	C S 1	C S 0	A 4	A 3	A 2	A 1	A 0	R / W	D 1 5	D 1 4	D 1 3	D 1 2	D 1 1	D 1 0	D 9	D 8	D 7	D 6	D 5	D 4	D 3	D 2	D 1	D 0	X	
PWR_CTL	C S 1	C S 0	X	X	0	0	0	R / W	X	X	X	X	X	X	X	X	P C 7	P C 6	P C 5	P C 4	P C 3	P C 2	P C 1	P C 0	X	
TX_AGC	C S 1	C S 0	X	X	0	0	1	R / W	X	X	X	X	X	X	X	X	T A 7	T A 6	T A 5	T A 4	T A 3	T A 2	T A 1	T A 0	X	
RX_AGC	C S 1	C S 0	X	X	0	1	0	R / W	X	X	X	R A 1 2	R A 1 1	R A 1 0	R A 9	R A 8	R A 7	R A 6	R A 5	R A 4	R A 3	R A 2	R A 1	R A 0	X	
VCXO_CTL	C S 1	C S 0	X	X	0	1	1	R / W	X	X	X	X	X	X	V C 9	V C 8	V C 7	V C 6	V C 5	V C 4	V C 3	V C 2	V C 1	V C 0	X	
CLK_SEL	C S 1	C S 0	X	X	1	0	0	R / W	X	X	X	X	X	X	X	X	X	X	X	X	X	X	X	C K 1	C K 0	X

X = Don't care

R/W =0 -> Read

R/W =1 -> Write

#### 4.1.1 Register Map

##### 4.1.1.1 Power Control

The power on/off control of AFE blocks on this chip is set by the PWR\_CTL register, (XX000), as described below:

PWR\_CTL Register (A4A3A2A1A0=XX000)

DATA	D15	D14	D13	D12	D11	D10	D9	D8	D7	D6	D5	D4	D3	D2	D1	D0
NAME									PC7	PC6	PC5	PC4	PC3	PC2	PC1	PC0
RESET VALUE									0	0	0	0	0	0	0	0

Power Control is as follow.

PC7	PC6	PC5	PC4	PC3	PC2	PC1	PC0	HEX	DESCRIPCION
0	0	0	0	0	0	0	0	0000	Normal Operation
0	0	0	0	0	0	0	1	0001	N/A
0	0	0	0	0	0	1	0	0002	N/A
0	0	0	0	0	1	0	0	0004	TX DAC Power Down
0	0	0	0	1	0	0	0	0008	TX Filter & AGC Power Down
0	0	0	1	0	0	0	0	0010	RX ADC Power Down
0	0	1	0	0	0	0	0	0020	Rx Filter Power Down
0	1	0	0	0	0	0	0	0040	Rx AGC Power Down
1	0	0	0	0	0	0	0	0080	VCXO DAC Power Down
Adding Power Down (based on upper power down)									
0	0	0	0	0	0	1	1	0003	N/A
0	0	0	0	1	1	0	0	000C	TX Path Power Down
0	1	1	1	0	0	0	0	0070	Rx Path Power Down
1	1	1	1	1	1	1	1	00FF	Whole Chip Power Down

**4.1.1.2 Transmitter AGC**

The main functions of the TX path are controlled by the TX\_AGC registers, as described below:

TX\_AGC Register (A4A3A2A1A0=XX001)

DATA	D15	D14	D13	D12	D11	D10	D9	D8	D7	D6	D5	D4	D3	D2	D1	D0
NAME									TA7	TA6	TA5	TA4	TA3	TA2	TA1	TA0
RESET VALUE									0	0	0	1	0	0	0	1

TA[7:0] TX path output attenuator gain setting. 0 to -24dB attenuation in 2 dB steps. (default is 0 dB).

TA[7]	TA[6]	TA[5]	TA[4]	TA[3]	TA[2]	TA[1]	TA[0]	HEX	GAIN(dB)
0	0	0	1	0	0	0	1	0011	0
0	0	0	1	0	0	1	0	0012	-2
0	0	0	1	0	1	0	0	0014	-4
0	0	0	1	1	0	0	0	0018	-6
0	0	1	0	0	0	0	1	0021	-6
0	0	1	0	0	0	1	0	0022	-8
0	0	1	0	0	1	0	0	0024	-10
0	0	1	0	1	0	0	0	0028	-12
0	1	0	0	0	0	0	1	0041	-12
0	1	0	0	0	0	1	0	0042	-14
0	1	0	0	0	1	0	0	0044	-16
0	1	0	0	1	0	0	0	0048	-18
1	0	0	0	0	0	0	1	0081	-18
1	0	0	0	0	0	1	0	0082	-20
1	0	0	0	0	1	0	0	0084	-22
1	0	0	0	1	0	0	0	0088	-24

**4.1.1.3 Recieve AGC**

The main functions of the RX path are controlled by the RX\_AGC register, as described below:

RX\_AGC Register (A4A3A2A1A0=XX010)

DATA	D15	D14	D13	D12	D11	D10	D9	D8	D7	D6	D5	D4	D3	D2	D1	D0
NAME				RA 12	RA 11	RA 10	RA9	RA8	RA7	RA6	RA4	RA4	RA3	RA2	RA1	RA0
RESET VALUE				0	0	0	0	0	1	0	0	1	0	0	0	0

RA[11:0]: Receive path input gain setting 0 to 42dB gain in 0.4 dB steps. (default is 0 dB).

RA[12] is "1", the external attenuation gain(ex, -14dB) path pin#55 RX\_INNG #56 RX\_INPG will be enable. RA[12] should only be utilized the short line conditions.

RA [12]	RA [11]	RA [10]	RA [9]	RA [8]	RA [7]	RA [6]	RA [5]	RA [4]	RA [3]	RA [2]	RA [1]	RA [0]	HEX	GAIN(dB)
1	0	0	0	0	1	0	0	1	0000 ~ 1111			1090~109F	-14.0~-8.0	
1	0	0	0	1	0	0	0	1	0000 ~ 1111			1110~111F	-8.0~-2.0	
1	0	0	1	0	0	0	0	1	0000 ~ 1111			1210~121F	-2.0~4.0	
0	0	0	0	0	1	0	0	1	0	0	0	0	0090	0
0	0	0	0	0	1	0	0	1	0	0	0	1	0091	0.4
0	0	0	0	0	1	0	0	1	0	0	1	0	0092	0.8
0	0	0	0	0	1	0	0	1	0	0	1	1	0093	1.2
0	0	0	0	0	1	0	0	1	0	1	0	0	0094	1.6
0	0	0	0	0	1	0	0	1	0	1	0	1	0095	2.0
0	0	0	0	0	1	0	0	1	0	1	1	0	0096	2.4
0	0	0	0	0	1	0	0	1	0	1	1	1	0097	2.8
0	0	0	0	0	1	0	0	1	1	0	0	0	0098	3.2
0	0	0	0	0	1	0	0	1	1	0	0	1	0099	3.6
0	0	0	0	0	1	0	0	1	1	0	1	0	009A	4.0
0	0	0	0	0	1	0	0	1	1	0	1	1	009B	4.4
0	0	0	0	0	1	0	0	1	1	1	0	0	009C	4.8
0	0	0	0	0	1	0	0	1	1	1	0	1	009D	5.2
0	0	0	0	0	1	0	0	1	1	1	1	0	009E	5.6
0	0	0	0	0	1	0	0	1	1	1	1	1	009F	6.0
0	0	0	0	1	0	0	0	1	0000 ~ 1111			0110~011F	6.0~12.0	
0	0	0	1	0	0	0	0	1	0000 ~ 1111			0210~021F	12.0~18.0	
0	0	1	0	0	0	0	0	1	0000 ~ 1111			0410~041F	18.0~24.0	
0	1	0	0	0	0	0	0	1	0000 ~ 1111			0810~081F	24.0~30.0	
0	1	0	0	0	0	0	1	0	0000 ~ 1111			0820~082F	30.0~36.0	
0	1	0	0	0	0	1	0	0	0000 ~ 1111			0840~084F	36.0~42.0	

#### 4.1.1.4 VCXO Control

The VCXO DAC is 10-bit voltage-mode DAC designed to be monotonic and intended to be operated at a 4 kHz update rate. In order to update the DAC, the user must write to the VCXO register through the serial port. The individual bit definitions are given below.

VCXO\_CTL Register (A4A3A2A1A0=XX011)

DATA	D15	D14	D13	D12	D11	D10	D9	D8	D7	D6	D5	D4	D3	D2	D1	D0
NAME							VC9	VC8	VC7	VC6	VC4	VC4	VC3	VC2	VC1	VC0
RESET VALUE							1	0	0	0	0	0	0	0	0	0

VC[9:0]: VCXO DAC 10-bit word. The DAC nominal output voltages for extreme and mid-scale codes are as follows.

$$VC[9:0] = 0000000000 = 0.5 \text{ V}$$

$$VC[9:0] = 1000000000 = 1.5 \text{ V (mid-range)}$$

$$VC[9:0] = 1111111111 = 2.5 \text{ V}$$

A general expression for the DAC output voltage is  
 $0.5 \text{ V} + (CODE / 1024) \times (2.0 \text{ V})$

where *CODE* is the decimal integer value of the 10-bit word formed by VCXO[9:0].

**4.1.1.5 Clock Selection**

Main functions of Clock Selection are frequency selection of each MCLK/AUXCLK/ADC. The individual bit definitions are given below.

CLK\_SEL Register (A4A3A2A1A0=XX100)

DATA	D15	D14	D13	D12	D11	D10	D9	D8	D7	D6	D5	D4	D3	D2	D1	D0
NAME															CK1	CK0
RESET VALUE															0	0

TM1, CK[1:0] : Clock Selection has eight possible clocking configuration as follow.

TM1	2 Phase	CK1	CK0	HEX	MCLK	AUXCLK	DAC	ADC
0	OFF	0	0	0000	4.416 MHz	0	4.416 MHz	2.208 MHz
0	OFF	0	1	0001	4.416 MHz	0	4.416 MHz	4.416 MHz
0	OFF	1	0	0002	8.832MHz	0	8.832MHz	4.416 MHz
0	OFF	1	1	0003	8.832MHz	0	8.832MHz	8.832MHz
1	ON	0	0	0000	8.832MHz	4.416 MHz	4.416 MHz	4.416 MHz
1	ON	0	1	0001	8.832MHz	4.416 MHz	4.416 MHz	2.204 MHz
1	ON	1	0	0002	17.664MHz	8.832MHz	8.832MHz	8.832 MHz
1	ON	1	1	0003	17.664MHz	8.832MHz	8.832MHz	4.416 MHz

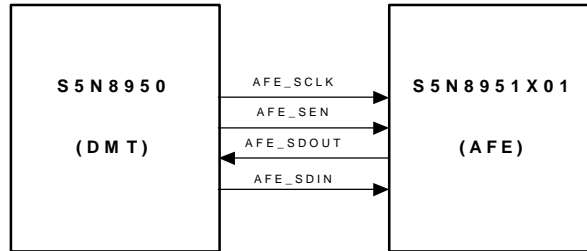


**4.1.2 Serial Data Interface**

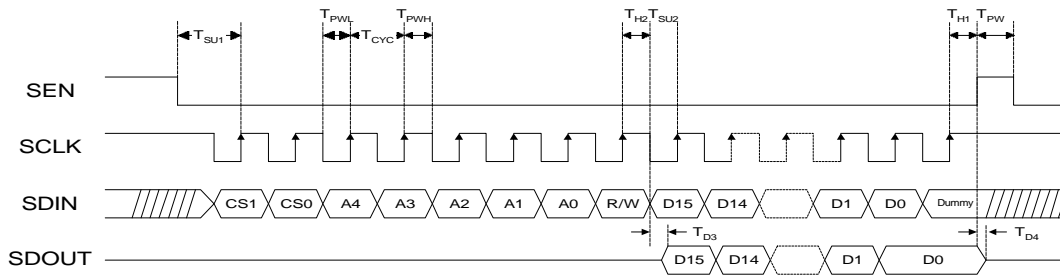
**4.1.2.1 Physical Interface**

Serial interfaces use three pins:

- Clock
- Serial data (25-bit: 2bit cs + 5bit address + 1bit r/w + 16 bit data + 1bit dummy)
- Enable



**4.1.2.2 Waveform**

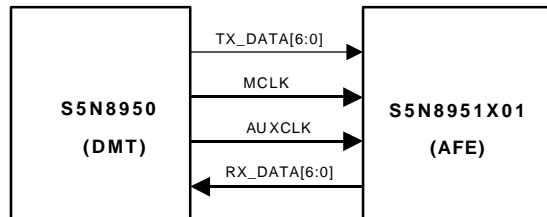


Parameter	Symbol	Min	Typ	Max	Unit
SCLK Clock Period	$T_{CYC}$		905		nS
SCLK High Time	$T_{PWH}$	452			nS
SCLK Low Time	$T_{PWL}$	452			nS
SEN Low To SCLK High	$T_{SU1}$	30			nS
SCLK High To SEN High	$T_{H1}$	15			nS
SEN Inactive Pulse Time	$T_{PW}$	905			nS
SDIN Setup time	$T_{SU2}$	15			nS
SDIN Hold time	$T_{H2}$	15			nS
SCLK low to SDOOUT delay	$T_{D3}$			30	nS
SEN inactive to SDOOUT HiZ	$T_{D4}$			30	nS

## 4.2 Data Interface

### 4.2.1 Physical Interface

- ADC and DAC data transmission between S5N8951X01 and S5N8950
- Parallel Interface : 29 pin (14 ADC bit data, 14 DAC bit data, MCLK)
- Parallel Interface(S5N8950) : 16 pin (7 ADC bit data, 7 DAC bit data, MCLK,AUXCLK)



### 4.2.2 Waveform

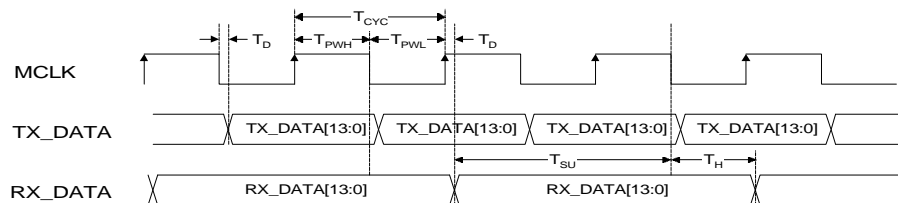


Figure 4.2.1 Waveform of 14bit parallel interface (TM1=0)

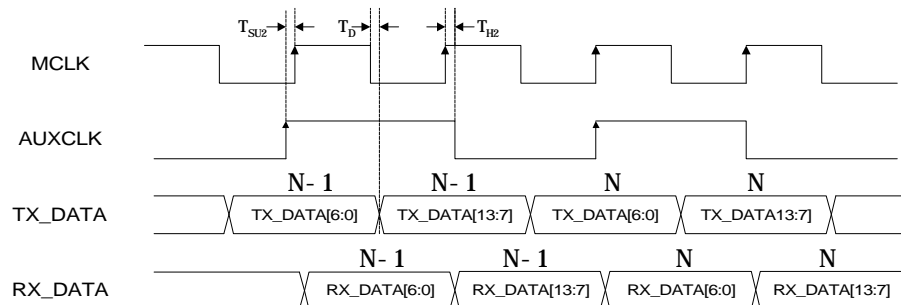
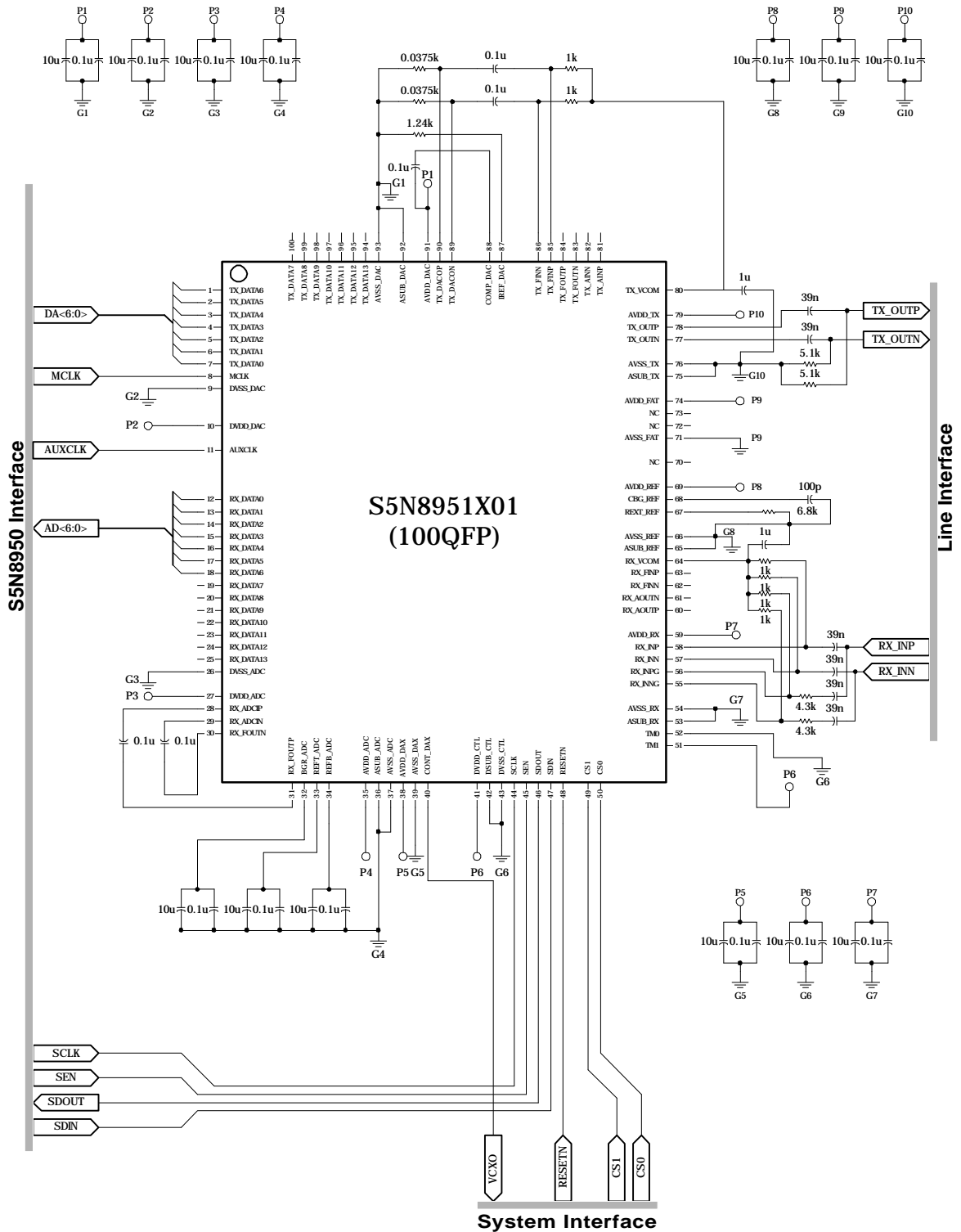


Figure 4.2.2 Waveform of 7bit parallel interface (TM1=1)

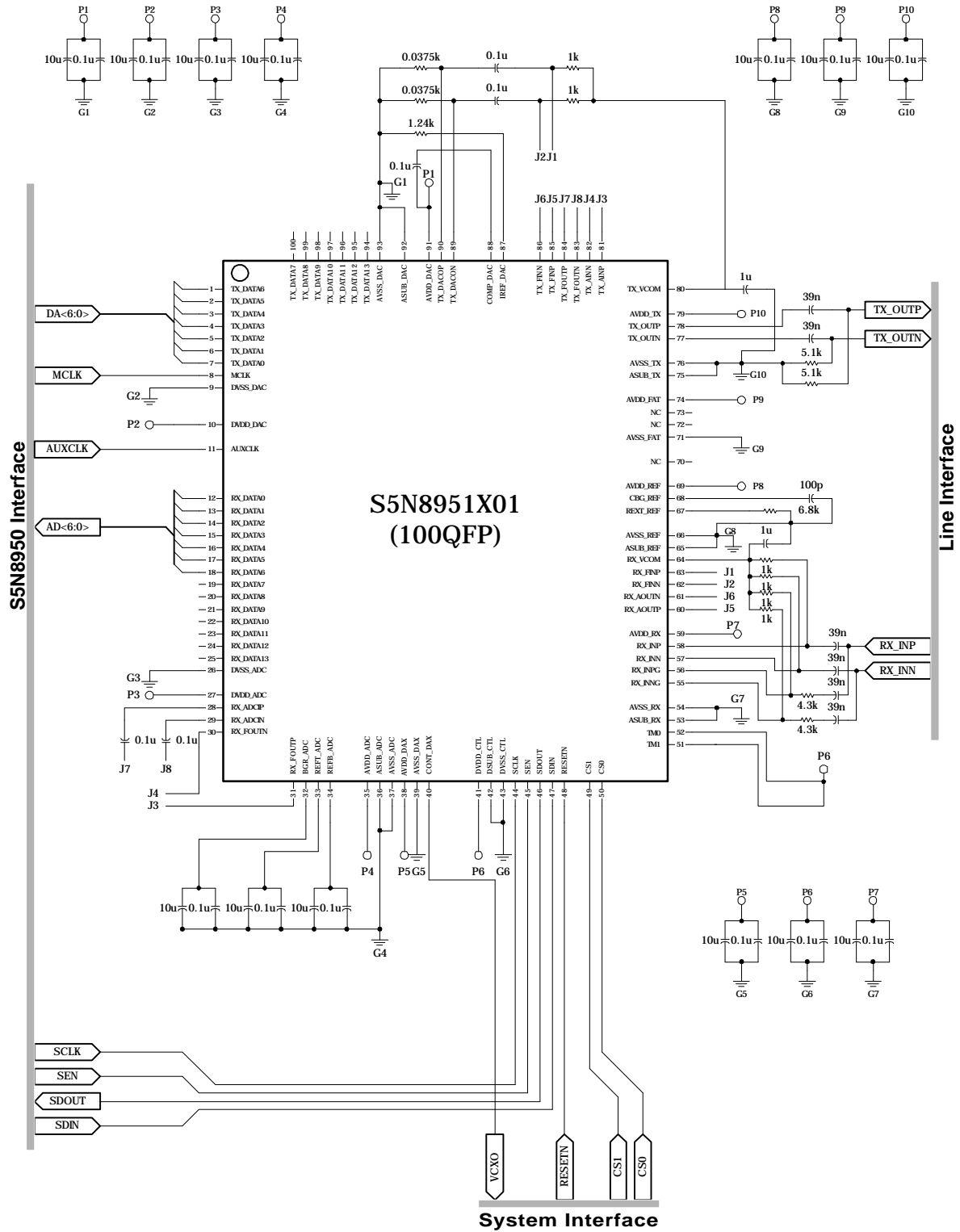
Parameter	Symbol	Min	Typ	Max	Unit	Note
MCLK Clock Period	$T_{CYC}$		113		nS	MCLK=4.416MHz
MCLK High Time	$T_{PWH}$		57		nS	MCLK=4.416MHz
MCLK Low Time	$T_{PWL}$		57		nS	MCLK=4.416MHz
DATA Delay after MCLK	$T_D$			10	nS	
RX_DATA setup to MCLK	$T_{SU}$	15			nS	MCLK=4.416MHz
RX_DATA hold to MCLK	$T_H$	42			nS	MCLK=4.416MHz
AUXCLK setup to MCLK	$T_{SU2}$			10	nS	
AUXCLK hold to MCLK	$T_{H2}$			10	nS	

**5. Application Circuit**

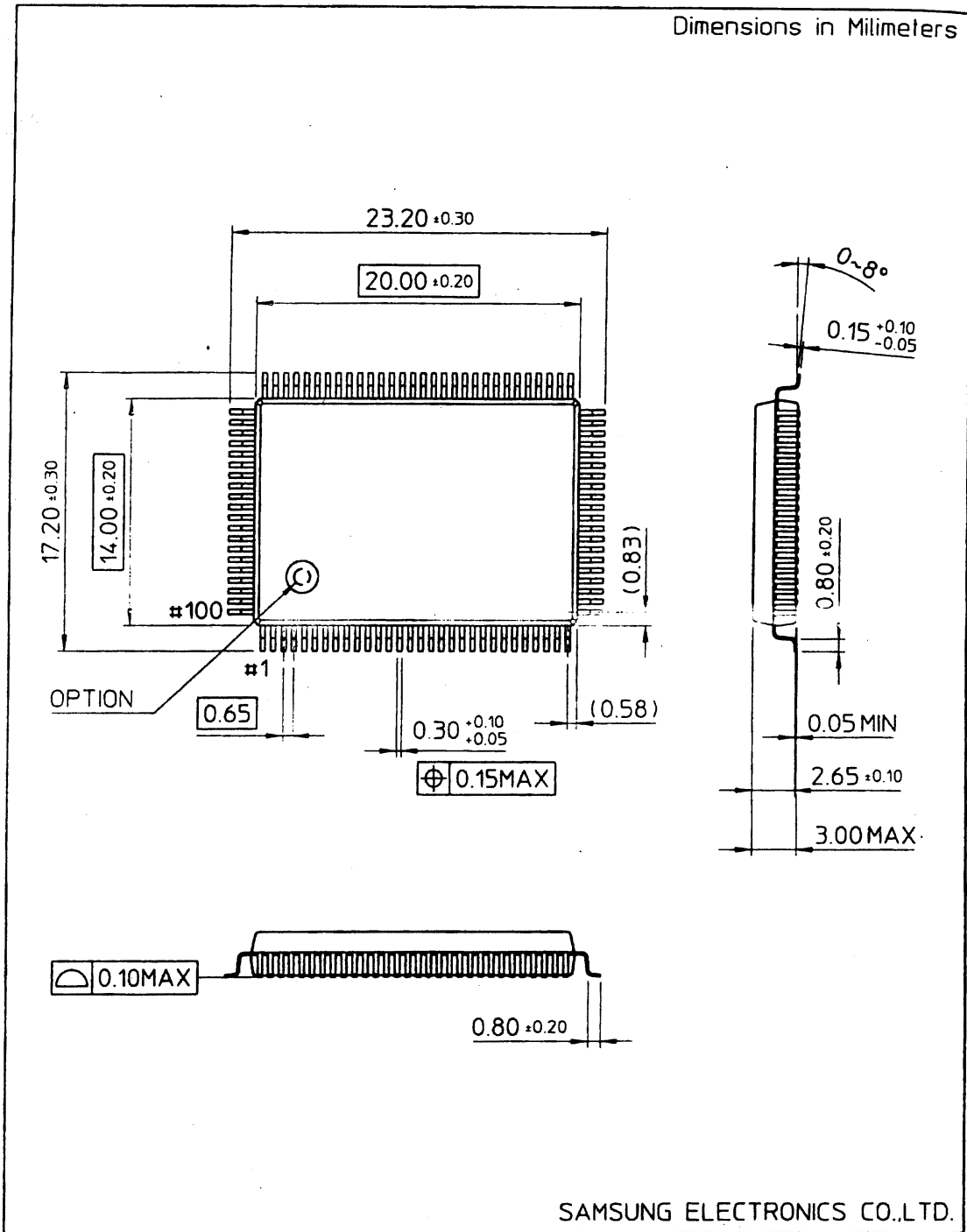
**5.1 ATU-R**



**5.2 ATU-C**



6. Package Information (100QFP-1420C)



**Revision History**

<b>Revision No.</b>	<b>Date</b>	<b>Description</b>
1.0	2000-07-20	<b>S5N8951X</b> (Rev.1) Released.

**IMPORTANT NOTICE**

The information furnished by Samsung Electronics in this document is believed to be accurate and reliable. However, no responsibility is assumed by Samsung Electronics for its use, nor for any infringements of patents or other rights of third parties resulting from its use. No license is granted under any patents or patent rights of Samsung Electronics. Samsung Electronics reserves the right to make changes to its products or to discontinue any semiconductor product or service without notice, and advises its customers to obtain the latest version of relevant information to verify, before placing orders, that the information being relied on is current and complete.

**For More Information****Tel: (82)-(31)-209-8301, Fax: (82)-(31)-209-8309****E-mail: [kimil@sec.samsung.com](mailto:kimil@sec.samsung.com)****<http://www.intl.samsungsemi.com>**

Copyright ©2000 Samsung Electronics, Inc. All Rights Reserved