

Photodiode array with amplifier

S6493/S6494 series

Photodiode arrays combined with a signal processing circuit chip



S6493 and S6494 series are Si photodiode arrays efficiently combined with a signal processing circuit. The signal processing circuit is formed on a single chip by the CMOS process, and includes a shift register, clamp circuit, hold circuit and charge amplifier array, thus allowing a simplified external circuit configuration.

The photocurrent from the photodiode array is fed to the charge amplifier connected to each element and is converted into a voltage.

The signal voltage is then sent to the clamp circuit and hold circuit, and is finally read out from the shift register in turn as a sequential video signal. The signal readout is performed by means of the charge storage method, so the output is proportional to the amount of light exposure (the product of incident light level and integration time). The video output is a boxcar waveform which is low noise and easy to handle.

In addition, the readout gain can be selected from two levels by changing the voltage to the external input terminal. (The "high" gain is 10 times that of the "low" gain.) S6493 and S6494 series ensure easy operation since they can operate from a 5 V supply, and yet offer a maximum data rate of 250 kHz.

Features

- Four types are available
 - S6493-64: 0.8 mm pitch × 64 ch
 - S6493-128: 0.4 mm pitch × 128 ch
 - S6494-64: 1.6 mm pitch × 64 ch
 - S6494-128: 0.8 mm pitch × 128 ch
- Simultaneous integration by using a charge amplifier array
- Sequential readout with a shift register
- Integrated clamp circuit allows low noise and wide dynamic range
- Two gain levels can be selected
- Operates from single 5 V supply input
- S6493 series:
 - Long active area can be configured by use of multiple arrays
 - phosphor screen type is also available for X-ray detection
- Custom designed element size and pitch available
- Dedicated driver circuits are available

Applications

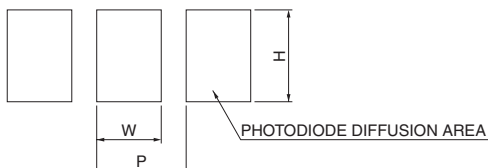
- Image or pattern recognition system

■ Mechanical specifications

Parameter	Symbol *1	S6493-64	S6493-128	S6494-64	S6494-128	Unit
Element pitch	P	0.8	0.4	1.6	0.8	mm
Element diffusion width	W	0.6	0.25	1.3	0.6	
Element height	H	0.8	0.4	1.6	0.8	
Number of elements	-	64	128	64	128	-
Active area length	-	51.2		102.4		mm

*1: Refer to following figure

■ Detail of elements



KMPDC0072EA

■ Absolute maximum ratings

Parameter	Symbol	Value	Unit
Supply voltage	Vdd	-0.3 to +7.0	V
Gain selection terminal voltage	Vgain		
Clock pulse voltage	V ϕ 1, V ϕ 2		
Start pulse voltage	V ϕ st		
Reset pulse voltage	V ϕ reset		
Hold pulse voltage	V ϕ hold		
Sample pulse voltage	V ϕ sample		
Clamp pulse voltage	V ϕ clamp		
Operating temperature *2	Topr	-5 to +60	°C
Storage temperature	Tstg	-10 to +70	

*2: No condensation

■ Recommended terminal voltage

Parameter	Symbol	Min.	Typ.	Max.	Unit	
Supply voltage	Vdd	4.8	5	5.2	V	
Gain selection terminal voltage	Low gain	Vgain (L)	Vdd-0.2	Vdd		Vdd+0.2
	High gain	Vgain (H)	0	-		0.4
Clock pulse voltage	High level	V ϕ 1, V ϕ 2	Vdd-0.2	Vdd		Vdd+0.2
	Low level		0	-		0.4
Start pulse voltage	High level	V ϕ st	Vdd-0.2	Vdd		Vdd+0.2
	Low level		0	-		0.4
Reset pulse voltage	High level	V ϕ reset	Vdd-0.2	Vdd		Vdd+0.2
	Low level		0	-		0.4
Hold pulse voltage	High level	V ϕ hold	Vdd-0.2	Vdd		Vdd+0.2
	Low level		0	-		0.4
Sample pulse voltage	High level	V ϕ sample	Vdd-0.2	Vdd		Vdd+0.2
	Low level		0	-		0.4
Clamp pulse voltage	High level	V ϕ clamp	Vdd-0.2	Vdd		Vdd+0.2
	Low level		0	-	0.4	

■ Electrical characteristics (Ta=25 °C, Vdd=5 V, V ϕ 1=V ϕ 2=V ϕ reset=V ϕ hold=V ϕ clamp=V ϕ sample=5 V)

Parameter	Symbol	S6493-64, S6494-64			S6493-128, S6494-128			Unit
		Min.	Typ.	Max.	Min.	Typ.	Max.	
Clock pulse frequency (video data rate)	f ϕ 1, f ϕ 2	15	-	250	15	-	250	kHz
Integration time	Ts	0.3	-	10	0.6	-	10	ms
Clock pulse line capacitance	C ϕ 1, C ϕ 2	-	15	-	-	30	-	pF
Video line capacitance	Cv	-	20	-	-	40	-	
Output impedance	Zo	-	3	-	-	3	-	k Ω
Current consumption	Idd	-	20	-	-	40	-	mA

■ Electrical and optical characteristics

Parameter	Symbol	S6493-64			S6493-128			S6494-64			S6494-128			Unit
		Min.	Typ.	Max.	Min.	Typ.	Max.	Min.	Typ.	Max.	Min.	Typ.	Max.	
Spectral response range	λ	200 to 1000			200 to 1000			320 to 1000			320 to 1000			nm
Peak sensitivity wavelength	λ_p	-	720	-	-	720	-	-	720	-	-	720	-	nm
Dark output voltage *3	High gain	-	0.4	4	-	0.2	2	-	0.8	8	-	0.4	4	mV
	Low gain	-	0.04	0.4	-	0.02	0.2	-	0.08	0.8	-	0.04	0.4	
Saturation output voltage *3	Vsat	1.3	1.6	-	1.3	1.6	-	1.3	1.6	-	1.3	1.6	-	V
Saturation exposure *4, 5	High gain	-	1.2	-	-	5.8	-	-	0.28	-	-	1.2	-	m/lx-s
	Low gain	-	12	-	-	58	-	-	2.8	-	-	12	-	
Photo sensitivity *5	High gain	-	1300	-	-	270	-	-	5700	-	-	1300	-	V/lx-s
	Low gain	-	130	-	-	27	-	-	570	-	-	130	-	
Photo response non-uniformity *6	PRNU	-	-	20	-	-	20	-	-	20	-	-	20	%
Noise *7	High gain	-	0.2	-	-	0.2	-	-	0.3	-	-	0.3	-	mVrms
	Low gain	-	0.2	-	-	0.2	-	-	0.2	-	-	0.2	-	
Output offset voltage *8	Vos	2.5	3	3.5	2.5	3	3.5	2.5	3	3.5	2.5	3	3.5	V

[Ta=25 °C, Vdd=5 V, V ϕ 1=V ϕ 2=V ϕ reset =V ϕ hold =V ϕ clamp =V ϕ sample=5 V, Vgain=5 V (Low gain), 0 V (High gain), Data rate: 200 kHz]

*3: Integration time ts=1 ms

*4: Saturation output voltage and exposure are determined by the upper limit of the charge amplifier.

*5: Measured with a 2856 K tungsten lamp.

*6: When the photodiode array is exposed to uniform light which is 50 % of the saturation exposure, the Photo Response Non-Uniformity (PRNU) is defined as follows:

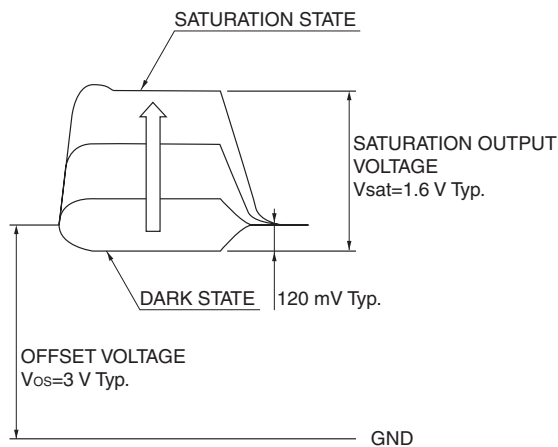
$$PRNU = (V_{max} - V_{min}) / V_{average} \times 100 (\%)$$

where Vaverage is the average output of all elements, Vmax is the output of the element that provides the maximum output, Vmin is the output of the element that provides the minimum output.

*7: Measured at a data rate of 50 kHz and integration time of 5 ms under dark condition.

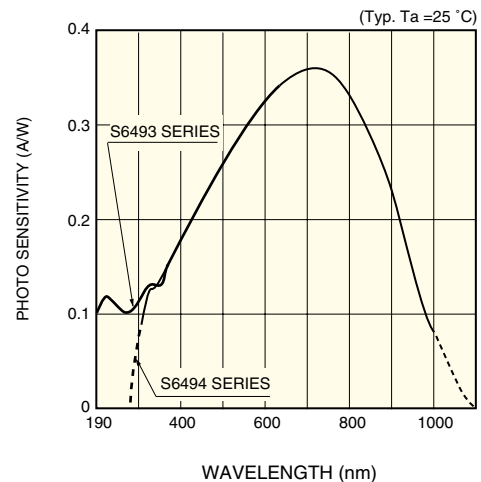
*8: The output offset voltage is defined as shown in following figure (Output waveform of one element).

■ Output waveform of one element



KMPDC0077EA

■ Spectral response



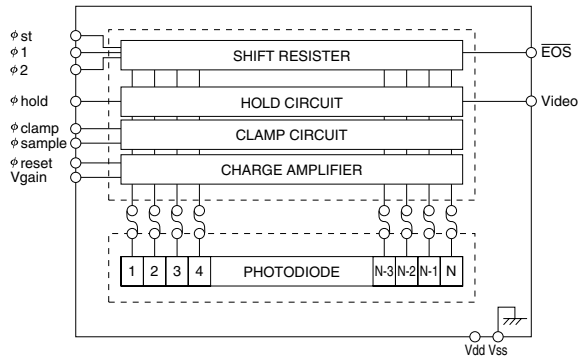
KMPDB0041EA

■ Driver circuit consideration

The following points must be taken into account when you use a driver circuit.

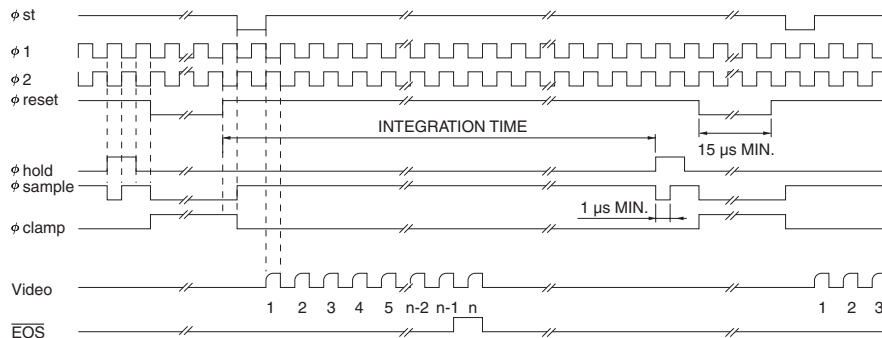
- The input pulse must meet the pulse conditions at the input terminal. Each pulse should be amplified by the buffer at a position as close to the input terminal as possible.
- The video output should undergo non-inverting amplification at the external readout circuit.
- Use of a JFET input type op amp is recommended. Make offset adjustment as necessary. In this case, it should be noted that the dark output level appears on the lower voltage side relative to the output offset voltage.

■ Block diagram



KMPDC0073EA

■ Recommended timing chart



KMPDC0078EA

The operations of the S6493 and S6494 series devices can be divided into charge integration and readout operations, as follows:

● Charge integration operation

- (1) When a ϕ_{reset} pulse is input, all elements in the integration amplifier are reset to start integration.
- (2) When a ϕ_{hold} pulse is input, output from all elements of the integration amplifier is simultaneously sent to the output hold circuit.
- (3) The charge integration time is equal to the time interval from the ϕ_{reset} pulse input to the ϕ_{hold} input.
- (4) When another ϕ_{reset} pulse is input, the next integration starts.
- (5) The ϕ_{clamp} and ϕ_{sample} pulses are needed to operate the clamp circuit.

● Readout operation

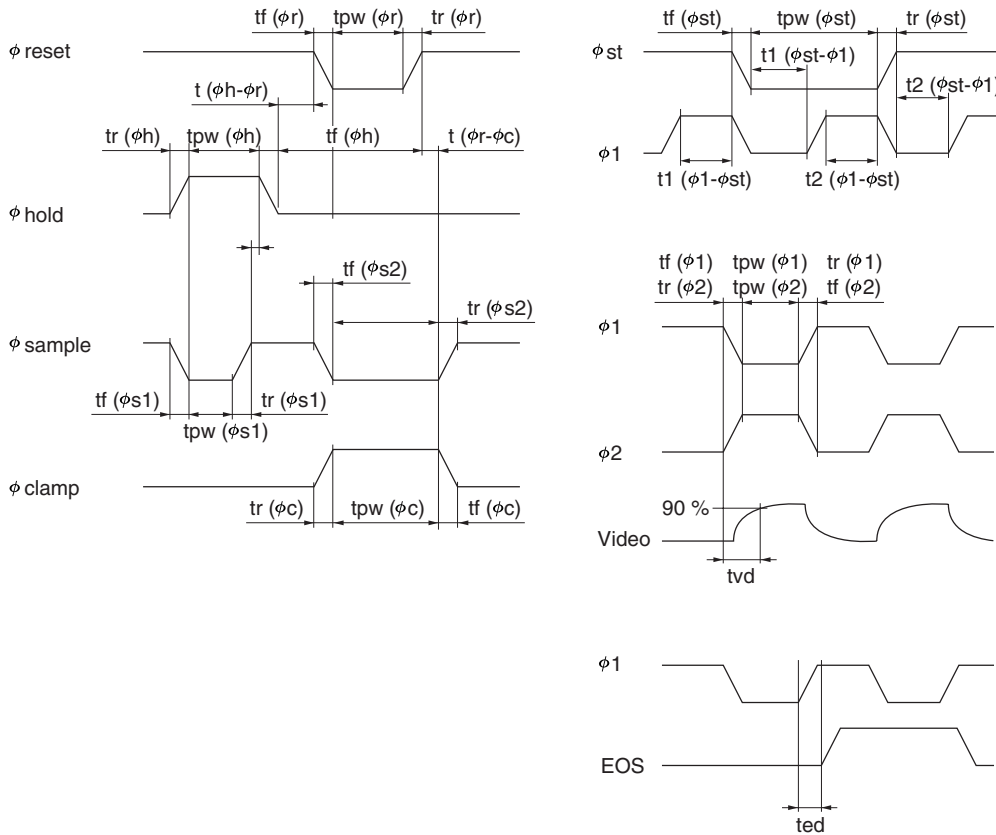
- (1) Under the condition that complimentary clock pulse ϕ_1 and ϕ_2 are being supplied, the shift register starts operation when a ϕ_{st} pulse is loaded. At this point, the ϕ_1 pulse must rise only once while the ϕ_{st} is low.
- (2) The shift register generates an address pulse train, and the output signal accumulated in the hold circuit is read out in turn from the first element, as a sequential signal from the Video terminal.
- (3) The video signal is obtained as a boxcar waveform in synchronization with the positive-going edge of ϕ_2 .
- (4) The ϕ_{hold} pulse cannot be loaded during readout operation (shift register operation).
- (5) The EOS (end-of-scan) signal is output in synchronization with the negative-going edge of ϕ_1 immediately before the output timing of the last element.

● Serial readout for multistage arrangement (S6493 series)

When multiple photodiode arrays are used in a serial arrangement, charge integration of each board can be performed at the same time, but the shift register of each board should be operated in sequence. The EOS pulse can be used as a start pulse for the next stage when it is inverted.

The video output terminal from all boards should be combined as one line via an analog switch and then connected to the external readout circuit. The analog switch should be used to select the video output only of the board being read out.

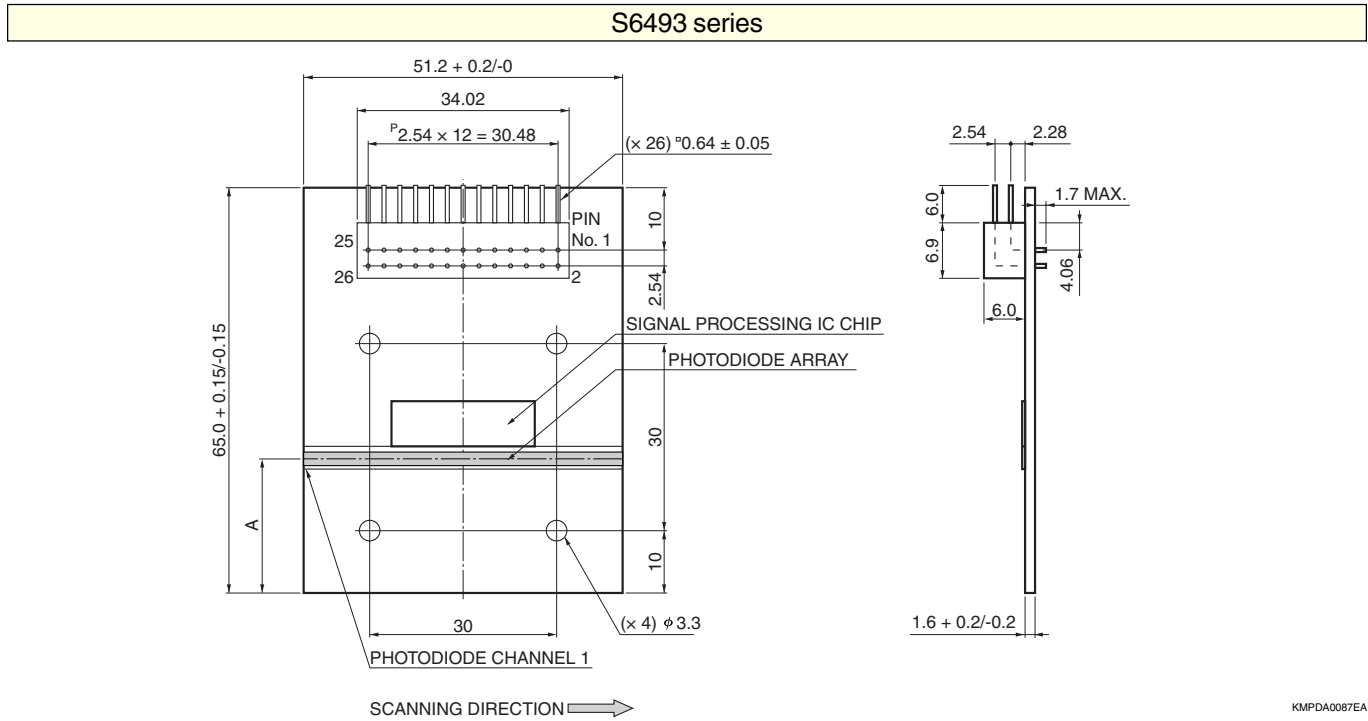
■ Timing chart



KMPDC0079EA

Parameter	Symbol	Min.	Typ.	Max.	Unit
Start pulse width	$tpw(\phi_{st})$	300	-	-	ns
Rise/fall time of start pulse	$tr(\phi_{st}), tf(\phi_{st})$	0	20	100	
Clock pulse (ϕ_1, ϕ_2) width	$tpw(\phi_1, 2)$	200	-	-	
Rise/fall time of clock pulse (ϕ_1, ϕ_2)	$tr(\phi_1, 2), tf(\phi_1, 2)$	0	20	100	
Hold pulse width	$tpw(\phi_h)$	1	-	-	μ s
Rise/fall time of hold pulse	$tr(\phi_h), tf(\phi_h)$	0	20	100	ns
Reset pulse width	$tpw(\phi_r)$	15	-	-	μ s
Rise/fall time of reset pulse	$tr(\phi_r), tf(\phi_r)$	0	20	100	ns
Sample pulse (1) width	$tpw(\phi_{s1})$	500	-	-	
Rise/fall time of sample pulse (1)	$tr(\phi_{s1}), tf(\phi_{s1})$	0	20	100	
Sample pulse (2) width	$tpw(\phi_{s2})$	$tpw(\phi_r)$	-	-	
Rise/fall time of sample pulse (2)	$tr(\phi_{s2}), tf(\phi_{s2})$	0	20	100	
Clamp pulse width	$tpw(\phi_c)$	$tpw(\phi_r)$	-	-	
Rise/fall time of clamp pulse	$tr(\phi_c), tf(\phi_c)$	0	20	100	
Sample pulse (1) - hold pulse timing	$t(\phi_{s1}-\phi_h)$	0	-	-	
Hold pulse - reset pulse timing	$t(\phi_h-\phi_r)$	0	-	-	
Reset pulse - clamp pulse timing	$t(\phi_r-\phi_c)$	0	-	-	
Start pulse - clock pulse (ϕ_1, ϕ_2) timing 1	$t1(\phi_{st}-\phi_1)$	0	-	-	
Start pulse - clock pulse (ϕ_1, ϕ_2) timing 2	$t2(\phi_{st}-\phi_1)$	0	-	-	
Clock pulse (ϕ_1, ϕ_2) - start pulse timing 1	$t1(\phi_1-\phi_{st})$	0	-	-	
Clock pulse (ϕ_1, ϕ_2) - start pulse timing 2	$t2(\phi_1-\phi_{st})$	0	-	-	
Video delay time	tvd	-	1	-	μ s
EOS pulse delay time	ted	-	100	-	ns

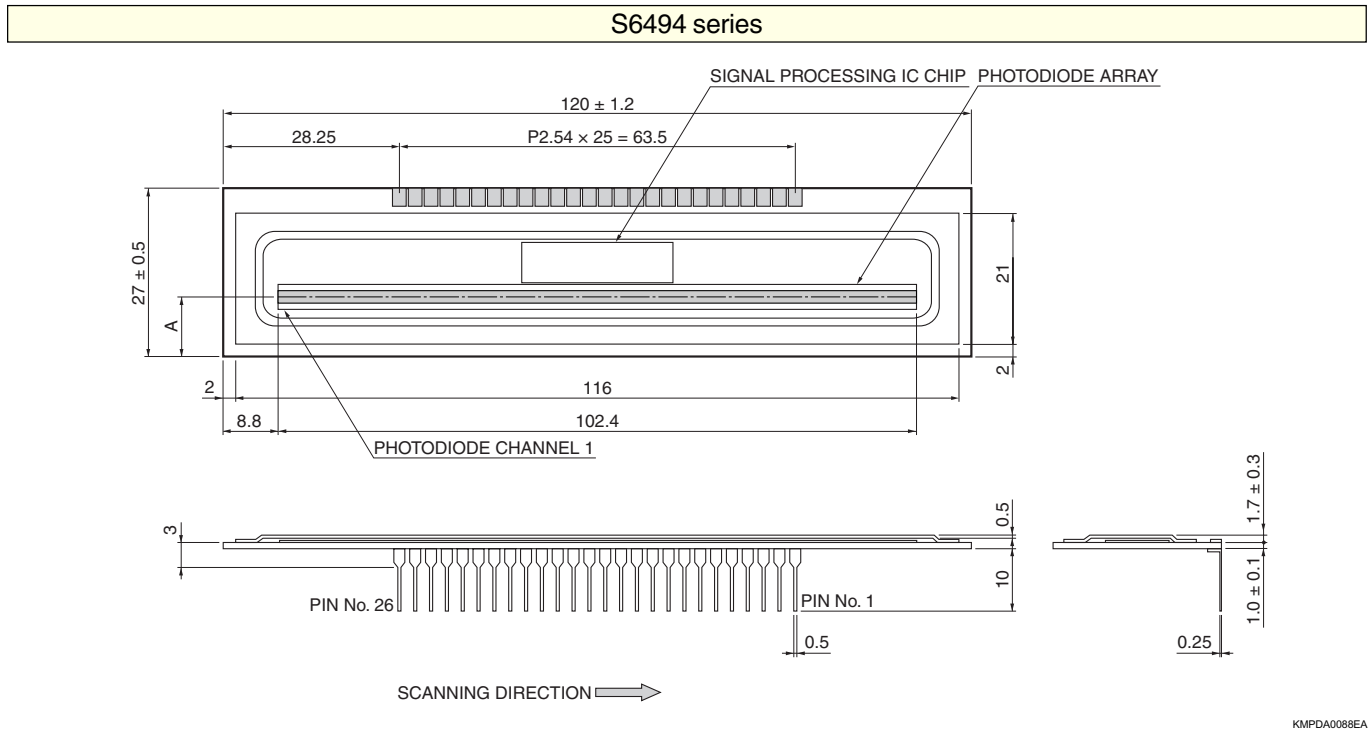
■ Dimensional outlines (unit: mm, tolerance unless otherwise noted: ±0.2)



A: Distance from the bottom of the board to the center of the active area S6493-64: 21.15 ± 0.2 , S6493-128: 21.35 ± 0.2

Board: G10 glass epoxy

Connector: PS-26PE-D4LT1-PN1 (made by Japan Aviation Electronics)



A: Distance from the bottom of the board to the center of the active area S6494-64: 9.35 ± 0.2 , S6494-128: 9.05 ± 0.2

Board: white ceramic

Window: borosilicate glass

■ Pin connections

● S6493 series

No.	Symbol
1	Vdd
2	Vdd
3	Vss
4	NC
5	Video
6	Vss
7	NC
8	$\phi 1$
9	NC
10	NC
11	Vdd
12	Vss
13	EOS
14	$\phi 1$
15	$\phi 2$
16	Vdd
17	ϕst
18	Vss
19	$\phi 1$
20	$\phi hold$
21	$\phi 1$
22	$\phi clamp$
23	$\phi sample$
24	$\phi reset$
25	Vgain
26	Vss

● S6494 series

No.	Symbol
1	Vss
2	Vdd
3	Vdd
4	Vdd
5	Vss
6	Video
7	Vss
8	$\phi 1$
9	Vdd
10	Vss
11	EOS
12	$\phi 1$
13	$\phi 2$
14	Vdd
15	ϕst
16	Vss
17	$\phi 1$
18	$\phi hold$
19	$\phi 1$
20	$\phi clamp$
21	$\phi sample$
22	$\phi reset$
23	Vgain
24	Vdd
25	Vdd
26	Vss

■ Pin assignment

Symbol	Assignment	Description
Vdd	Supply voltage	Voltage input
Vss	Ground	
ϕst	Start pulse	Negative-going pulse input
$\phi 1$	Clock pulse 1	Pulse input
$\phi 2$	Clock pulse 2	Pulse input $\overline{\phi 1}$
$\phi reset$	Reset pulse	Negative-going pulse input
$\phi hold$	Hold pulse	Positive-going pulse input
$\phi sample$	Sample pulse	Negative-going pulse input
$\phi clamp$	Clamp pulse	Positive-going pulse input
Vgain	Gain selection terminal voltage	Voltage input Vdd : low gain setting Vss : high gain setting
Video	Video output	Positive-going output from positive potential, boxcar waveform
EOS	End of scan	Positive-going pulse output

■ Precautions for use

- (1) The signal processing circuit chips of the S6493 and S6494 series are protected against static electricity. However, in order to prevent possible damage to the chip, implement electrostatic countermeasures such as grounding of the operator, work table and tools. Furthermore, the devices must be protected against surge voltages from external equipment.
- (2) S6493 series
 Since the photodiode array chip is not protected, handle it carefully so it will not become contaminated or scratched. Photodiode array performance may deteriorate if operated at high temperatures and humidity, so the housing should be designed to be airtight. The signal processing circuit chip and its wire bonding are covered with a resin coating for protection, but never touch these portions. In addition, take care when installing the board so that it does not warp.
- (3) S6494 series
 If the input window becomes dirty or scratched, the output uniformity may deteriorate. Avoid touching the window with bare hands. Cleaning the window surface before use with cloth, cotton swab or paper moistened with ethyl alcohol is advised. Wiping the window with dry cloth may generate static electricity and therefore should be avoided.

Driver circuit for photodiode array with amplifier C6785, C6495



Drive a photodiode array with amplifier by simple signal inputs

The C6785 and C6495 are driver circuits specifically designed for use with Hamamatsu photodiode arrays with amplifier. (The C6785 is for the S6493 series and the C6495 is for the S6494 series.) Both the C6785 and C6495 include a signal generator that provides timing pulses used to drive the sensor and a signal processing circuit that performs video signal amplification and DC restoration. The signal inputs required are start pulse (START), clock pulse (CLK) and +5 V.

Features

- Ideally suited for use with a photodiode array with amplifier
C6785: for S6493 series
C6495: for S6494 series
- Simple operation (with start pulse, clock pulse and +5 V)
- Can be installed on the reverse side of a photodiode array with amplifier
- Compact size
- Gain of a photodiode array with amplifier is selectable from PC board

Applications

- Operation of a photodiode array with amplifier

Absolute maximum ratings

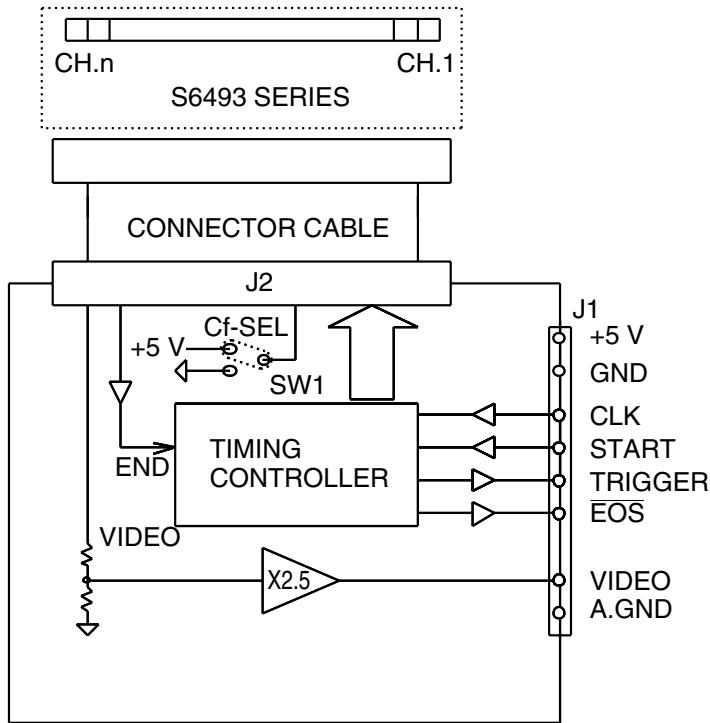
Parameter	Symbol	Value	Unit
Supply voltage	Vd	7	V
Operating temperature	Topr	50	°C
Storage temperature	Tstg	60	°C

Electrical characteristics

Parameter	Symbol	Min.	Typ.	Max.	Unit
Supply Voltage (for digital circuit)	Vd	4.9	5	5.5	V
Start pulse (start) voltage	Vst (H)	3.5	-	-	V
	Vst (L)	-	-	1.5	
Start pulse width	tpw-st	1/f-CLK	-	-	s
Start pulse rise/fall time	tr-st, tf-st	-	-	500	ns
Clock pulse (clk) voltage	Vclk (H)	3.5	-	-	V
	Vclk (L)	-	-	1.5	
Clock pulse frequency	f-CLK	30	-	500	kHz
Clock pulse width	tpw-CLK	30	-	-	ns
Clock pulse rise/fall time	tr-c, tf-c	-	-	500	ns
Trigger pulse (trigger) voltage	Vtrig (H)	4.5	5	5.5	V
	Vtrig (L)	0	-	0.8	
Trigger pulse rise /fall time	tr-tri, tf-tri	-	-	500	ns
Data video data rate	DVRATE	-	100	250	kHz

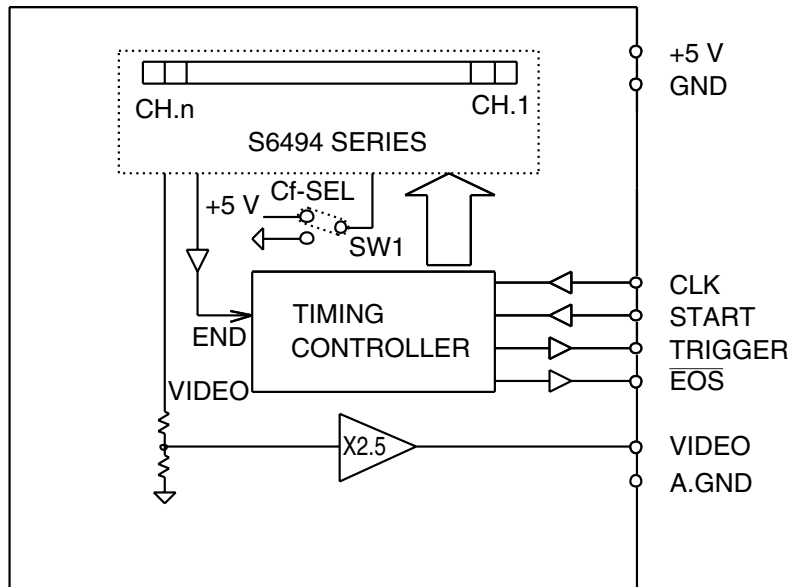
■ Block diagram

C6785



KACCC0056EA

C6495



KACCC0057EA

■ Pin connections

● J1, CN1: 5483-08AX (made by Molex)

Pin No.	Signal	Input/Output	Description
1	CLK	Input	HCMOS compatible pulse for synchronizing the circuit and sensor
2	START	Input	HCMOS compatible positive logic pulse for initializing the circuit
3	TRIGGER	Output	HCMOS compatible positive logic pulse for A/D conversion
4	$\overline{\text{EOS}}$	Output	HCMOS compatible negative logic pulse used as end-of-scan signal
5	+5 V	Input	Supply voltage: +5 V Max. 70 mA
6	GND	-	Circuit ground
7	VIDEO	Output	Video signal output positive-going pulse
8	A.GND	-	Circuit ground used to ground the coaxial line of VIDEO

A connector 5480-08 that mates with the 5483-08AX connector is supplied with the C6785 and C6495.

● J2: XG4C-2634 (made by OMRON)

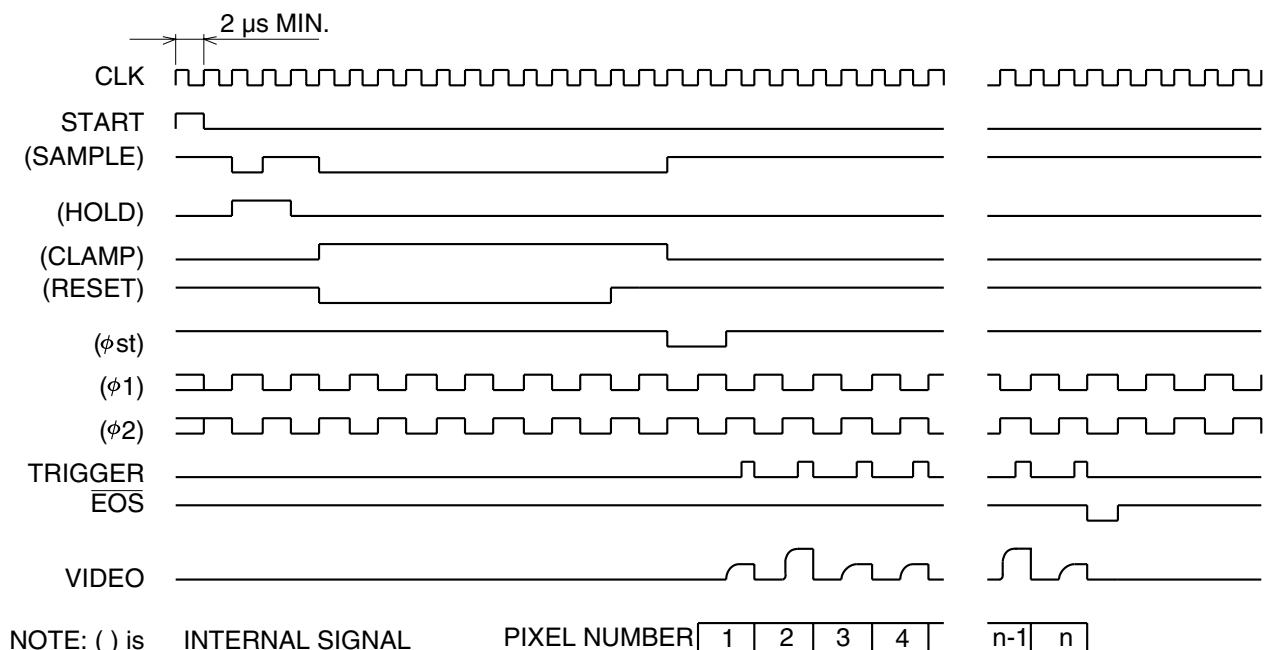
Pin No.	Signal	Input/Output	Description
1	Vdd	Output	Sensor: supply voltage for CMOS IC
2	Vdd	Output	Sensor: supply voltage for CMOS IC
3	Vss	Output	Sensor ground
4	NC	-	No connection
5	Video	Input	Sensor video signal output
6	Vss	Output	Sensor ground
7	NC	-	No connection
8	$\phi 1$	Output	Sensor: clock pulse for shift register scan, HCMOS compatible
9	NC	-	No connection
10	NC	-	No connection
11	Vdd	Output	Sensor: supply voltage for CMOS IC
12	Vss	Output	Sensor ground
13	EOS	Input	Sensor: end-of-scan signal
14	$\phi 1$	Output	Sensor: clock pulse for shift register scan, HCMOS compatible
15	$\phi 2$	Output	Output sensor: clock pulse for shift register scan, HCMOS compatible
16	Vdd	Output	Output sensor: supply voltage for CMOS IC
17	ϕst	Output	Output sensor: video signal output start pulse, HCMOS compatible
18	Vss	-	Sensor ground
19	$\phi 1$	Output	Sensor: clock pulse for shift register scan, HCMOS compatible
20	$\phi hold$	Output	Sensor: charge amplifier output hold signal, HCMOS compatible
21	$\phi 1$	Output	Sensor: clock pulse for shift register scan, HCMOS compatible
22	$\phi clamp$	Output	Sensor: charge amplifier output clamp signal, HCMOS compatible
23	$\phi sample$	Output	HCMOS compatible, positive logic pulse for initializing the circuit
24	$\phi reset$	Output	Sensor: charge amplifier output reset signal, HCMOS compatible
25	Vgain	Output	Sensor gain switching: H=gain "low", L=gain "high"
26	Vss	-	Sensor ground

A connector XG4M-2630-T that mates with the XG4C-2634 connector is supplied with the C6785 and C6495.

● CN2: XR2C (made by OMRON)

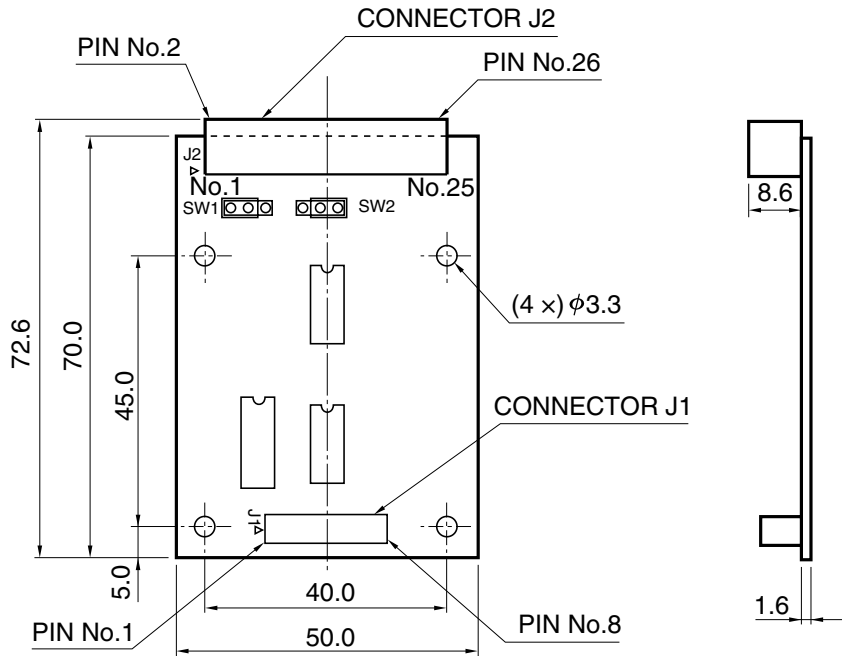
Pin No.	Signal	Input/Output	Description
1	Vss	-	Sensor ground
2	Vdd	Output	Sensor: supply voltage for CMOS IC
3	Vdd	Output	Sensor: supply voltage for CMOS IC
4	Vdd	Output	Sensor: supply voltage for CMOS IC
5	Vss	-	Sensor ground
6	Video	Input	Sensor video signal output
7	Vss	-	Sensor ground
8	$\phi 1$	Output	Sensor: clock pulse for shift register scan
9	Vdd	Output	Sensor: supply voltage for CMOS IC
10	Vss	-	Sensor ground
11	EOS	Input	Sensor: end-of-scan signal
12	$\phi 1$	Output	Sensor: clock pulse for shift register scan
13	$\phi 2$	Output	Sensor: clock pulse for shift register scan
14	Vdd	Output	Sensor: supply voltage for CMOS IC
15	ϕst	Output	Sensor: shift register scan start pulse
16	Vss	-	Sensor ground
17	$\phi 1$	Output	Sensor: clock pulse for shift register scan
18	$\phi hold$	Output	Sensor: charge amplifier output hold signal
19	$\phi 1$	Output	Sensor: clock pulse for shift register scan
20	$\phi clamp$	Output	Sensor: charge amplifier output clamp signal
21	$\phi sample$	Output	Sensor: charge amplifier output sample signal
22	$\phi reset$	Output	Sensor: charge amplifier output reset signal
23	Vgain	Output	Sensor gain switching: H=gain "low", L=gain "high"
24	Vdd	Output	Sensor: supply voltage for CMOS IC
25	Vpd	Output	Reverse voltage for photodiode array
26	Vss	-	Sensor ground

■ Pulse timing



■ Dimensional outlines (unit: mm, tolerance unless otherwise noted: ±0.2)

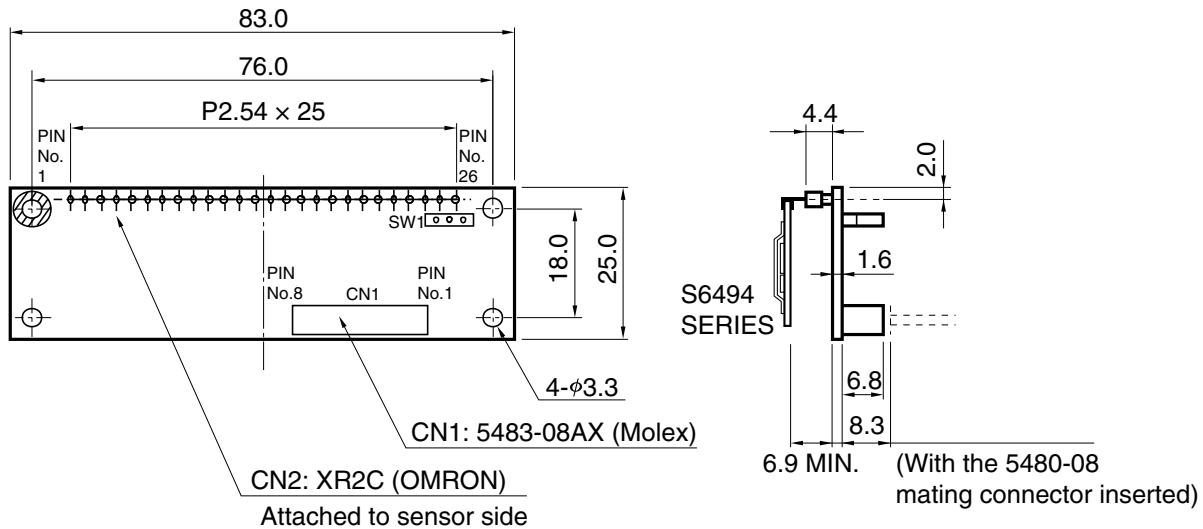
C6785



KACCA0048EA

C6495

COMPONENT SIDE



KACCA0049EA

HAMAMATSU

Information furnished by HAMAMATSU is believed to be reliable. However, no responsibility is assumed for possible inaccuracies or omissions. Specifications are subject to change without notice. No patent rights are granted to any of the circuits described herein. ©2001 Hamamatsu Photonics K.K.

HAMAMATSU PHOTONICS K.K., Solid State Division

1126-1 Ichino-cho, Hamamatsu City, 435-8558 Japan, Telephone: (81) 053-434-3311, Fax: (81) 053-434-5184, <http://www.hamamatsu.com>

U.S.A.: Hamamatsu Corporation, 360 Foothill Road, P.O.Box 6910, Bridgewater, N.J. 08807-0910, U.S.A., Telephone: (1) 908-231-0960, Fax: (1) 908-231-1218

Germany: Hamamatsu Photonics Deutschland GmbH, Arzbergerstr. 10, D-82211 Herrsching am Ammersee, Germany, Telephone: (49) 08152-3750, Fax: (49) 08152-2658

France: Hamamatsu Photonics France S.A.R.L.: 8, Rue du Saule Trapu, Parc du Moulin de Massy, 91882 Massy Cedex, France, Telephone: 33-(1) 69 53 71 00, Fax: 33-(1) 69 53 71 10

United Kingdom: Hamamatsu Photonics UK Limited: 2 Howard Court, 10 Tewin Road, Welwyn Garden City, Hertfordshire AL7 1BW, United Kingdom, Telephone: (44) 1707-294888, Fax: (44) 1707-325777

North Europe: Hamamatsu Photonics Norden AB: Smidesvägen 12, SE-171 41 Solna, Sweden, Telephone: (46) 8-509-031-00, Fax: (46) 8-509-031-01

Italy: Hamamatsu Photonics Italia S.p.A.: Strada della Moia, 1/E, 20020 Arese, (Milano), Italy, Telephone: (39) 02-935-81-733, Fax: (39) 02-935-81-741