



CONNOR-WINFIELD CORPORATION

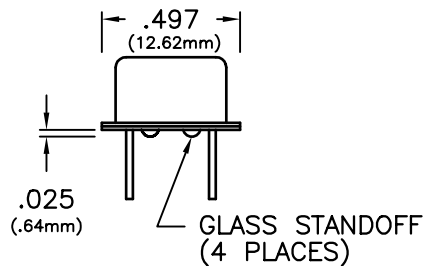
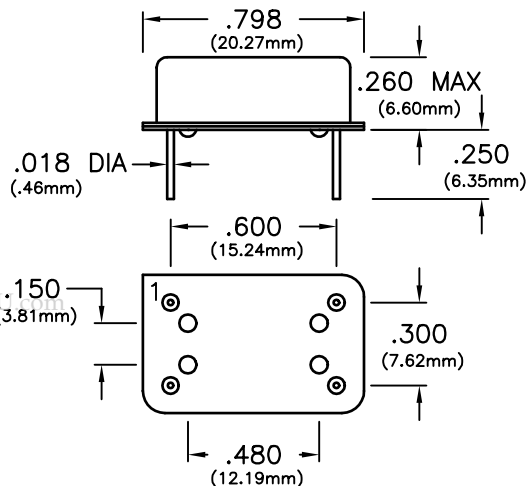
AURORA, IL. 60505

PHONE (630) 851-4722

FAX (630) 851-5040

T3 APPLICATION TTL CLOCKS WITH TRI-STATE

SPECIFICATIONS	S55T3R	S65T3R	
Frequency Range	1.625MHz to 70MHz		
Freq Calibration @25°C	±4ppm		
Frequency Stability	±10ppm		
Temperature Range	0°C to +70°C	-40°C to +85°C	
Freq vs Supply Voltage	±1ppm		
Aging	±5ppm		
Overall Freq Stability	±20ppm (Sum of all frequency stabilities & aging tolerances for the life of the oscillator)		
Output	Waveform	TTL Squarewave	
	Load	10 TTL	
	Voltage	Voh	2.4V Minimum
		Vol	0.5V Maximum
	Current	Ioh	-16mA
		Iol	16mA
	Duty Cycle	45/55 Maximum measured at 1.4V	
Rise/Fall Time	6nS Maximum		
Input	Output E/D Time	100nS Maximum	
	Enable (Vih)	2.2V Minimum	
	Disable (Vil)	0.8V Maximum	
		Oscillator output is enabled with no connection on pin 1	
Start Up Time	10mS Maximum		
Supply Voltage	+5Vdc ±5%		
Supply Current	25mA Maximum		
Package	All metal, hermetically sealed, welded package		



PIN	CONNECTION
1	ENABLE/DISABLE
7	GROUND (CASE)
8	OUTPUT
14	(+) SUPPLY

Dimensional Tolerance ±.005

Specifications subject to change without notice

BULLETIN #: TT044
PAGE 1 OF 1

REV: 00
DATE: 1/20/97

ISSUED BY: _____

www.DataSheet4U.com