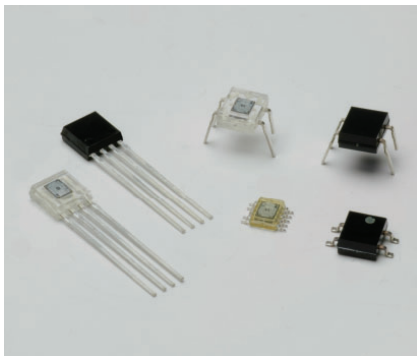


Light modulation photo IC



S4282-51, S6809, S6846, S6986, S7136/-10, S10053

Fewer detection errors even under disturbance background light

These light modulation photo ICs were developed for optical synchronous detection under disturbance background light. A photodiode, preamplifier, comparator, oscillator, LED driver and signal processing circuit, etc. are all integrated on a monolithic photo IC chip. Optical synchronous type photoreflectors and photointerrupters, which are less susceptible to disturbance background light, can be easily configured by just connecting an external LED to this photo IC. Our unique circuit design achieves an allowable background light level of 10000 lx typ. (S4282-51, S6986, S10053) and a minimum detection level of 0.2 $\mu\text{W}/\text{mm}^2$ typ. (S6809, S6846, S7136/-10).

Features

- **Large allowable background light level**
S4282-51, S6986, S10053: 10000 lx typ.
S6809, S6846, S7136/-10 : 3000 lx typ.
- **Minimum detection level**
S4282-51, S6986, S10053: 0.7 $\mu\text{W}/\text{mm}^2$ typ.
S6809, S6846, S7136/-10 : 0.2 $\mu\text{W}/\text{mm}^2$ typ.
- **Digital output (Output appears "L" by light input.)**
- **Small hysteresis (S6809)**
- **Small SMD package (S10053)**

Applications

- **Paper detection in office machine (copiers, fax machines, etc.)**
- **Optical switches**

Absolute maximum ratings (Ta=25 °C)

Parameter	Symbol	S4282-51, S6986, S10053	S6809, S6846, S7136/-10	Unit
Supply voltage	Vcc	-0.5 to +16		V
Output voltage	Vo	-0.5 to +16		V
Output current	Io	50		mA
Cathode output voltage	Vcath	-0.5 to +16		V
Cathode output current	Icath		70	mA
Power dissipation*1	P	250		mW
Operating temperature	Topr	-25 to +60		°C
Storage temperature	Tstg	-40 to +100		°C

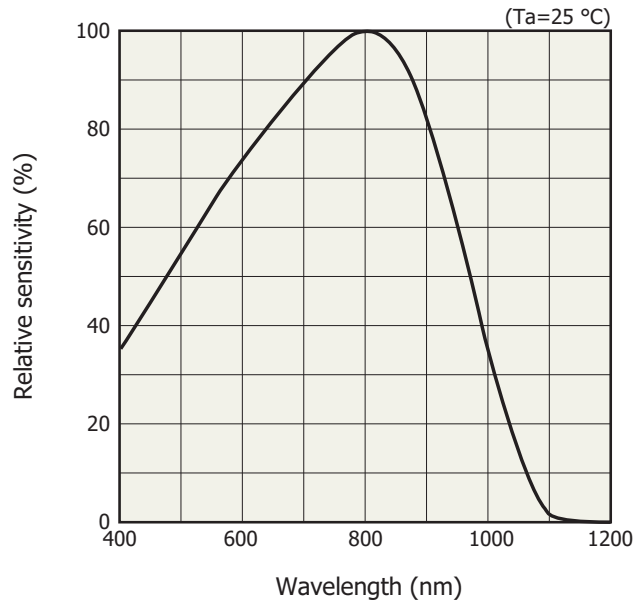
Note: Exceeding the absolute maximum ratings even momentarily may cause a drop in product quality. Always be sure to use the product within the absolute maximum ratings.

*1: Power dissipation decreases at a rate of 3.3 mW/°C above Ta=25 °C

Products other than the S10053 do not support lead-free soldering. For details on reflow soldering conditions for surface mount types, please contact our sales office.

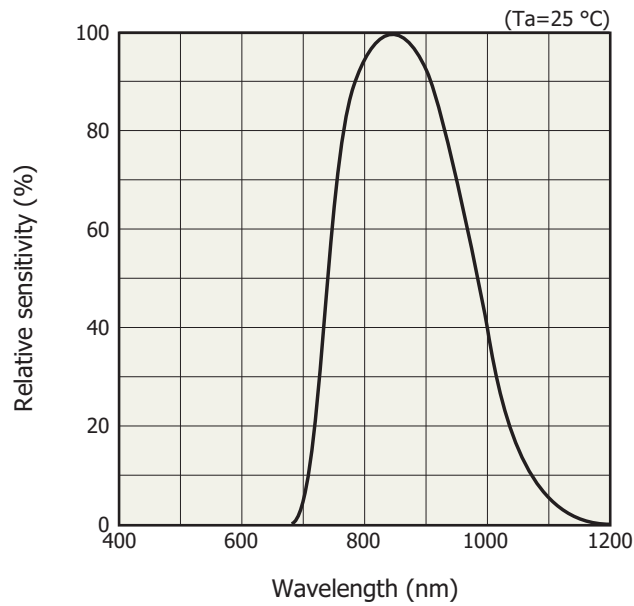
▣ Spectral response (typical example)

S4282-51, S6986, S10053



KPICB0001EB

S6809, S6846, S7136/-10



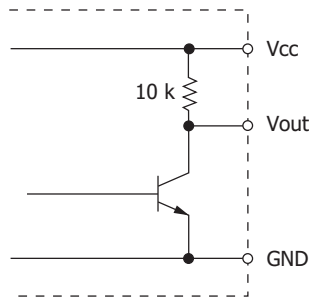
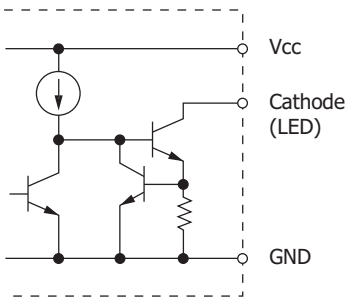
KPICB0002EA

Electrical and optical characteristics (Ta=25 °C, Vcc=5 V)

Parameter	Symbol	Condition	S4282-51, S6986, S10053			S6809, S6846, S7136/-10			Unit	
			Output: built-in pull-up resistor*2 Cathode: constant current drive			Output: open collector*3 Cathode: open collector drive				
			Min.	Typ.	Max.	Min.	Typ.	Max.		
Supply voltage	Vcc		4.5	-	16	4.5	-	16	V	
Current consumption	Icc	Vo, LED terminals open	-	4	11	-	4	11	mA	
Output	Low level output voltage	VOL	IOL=16 mA	-	0.2	0.4	-	0.2	0.4	V
	High level output voltage	VOH	4.7 kΩ between Vcc and Vo	4.9	-	-	4.9	-	-	V
Cathode	Low level output voltage	Vcath	Icath=40 mA	-	-	-	-	0.8	V	
	Low level output current	Icath	Vcath=1.2 V	15	35	60	-	-	mA	
	Pulse cycle	Tp		65	130	220	65	130	220	μs
	Pulse width	Tw		4	8	13.7	4	8	13.7	μs
H→L threshold light level	EHL	λ=940 nm No background light	-	0.7	2	-	0.2	1.0	μW/mm ²	
Hysteresis	-		0.45	0.65	0.95	0.45 0.65 (S6809)	0.65 0.8 (S6809)	0.95 0.95 (S6809)	-	
Frequency response	f		0.5	1.25	-	0.5	1.25	-	kHz	
Allowable background light level	Ex	Signal light: 5 μW/mm ² , λp=940 nm Background light: "A" light source	5000	10000	-	2000	3000	-	lx	

*2: Cathode

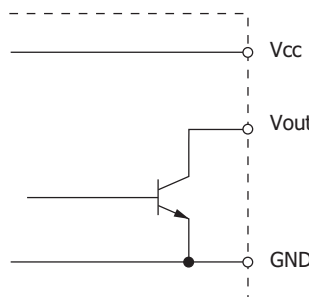
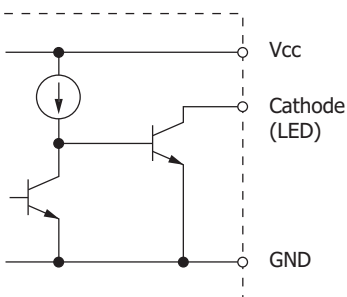
Output



KPIC0009EA

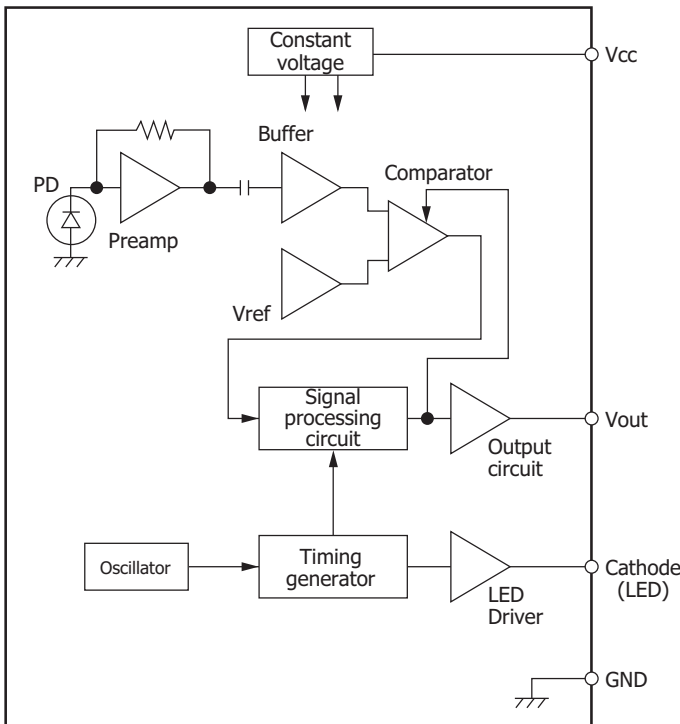
*3: Cathode

Output



KPIC0010EA

Block diagram and internal functions



Truth table

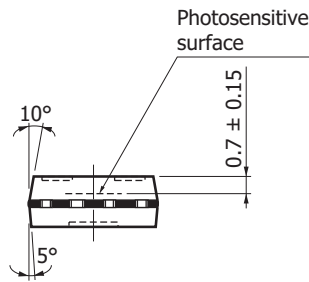
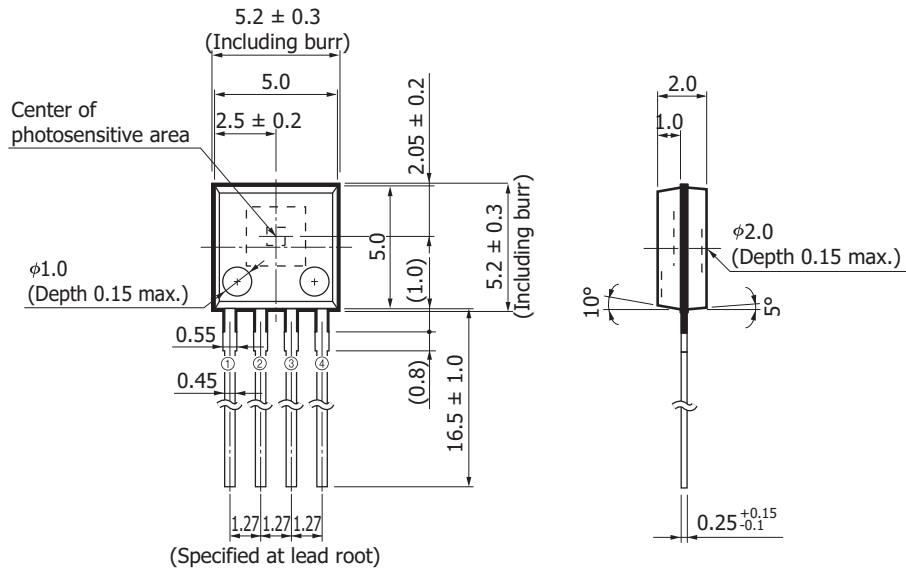
Input	Output level
Light on	low
Light off	high

KPIC0002EA

- (a) Oscillator and timing signal generator
The oscillator produces a reference oscillation output by charging and discharging the built-in capacitor with constant current. The oscillation output is fed to the timing signal generator, which then creates LED drive pulses and various timing pulses for digital signal processing.
- (b) LED driver circuit
This circuit drives an external LED using the LED drive pulses created by the timing signal generator. The duty cycle is 1/16.
- (c) Photodiode and preamplifier circuit
The photodiode is formed on the same monolithic chip. A photocurrent generated in the photodiode is converted to a voltage by a preamplifier circuit. The preamplifier circuit uses an AC amplifier to expand the dynamic range versus DC or low-frequency background light, without impairing signal detection sensitivity.
- (d) Capacitive coupling, buffer amplifier and reference voltage generator
Capacitive coupling removes low-frequency noise and also cancels the DC offset in the preamplifier. The buffer amplifier boosts the signal up to the comparator level, and the reference voltage generator produces a comparator level voltage.
- (e) Comparator circuit
The comparator circuit has a hysteresis function to prevent chattering caused by small fluctuations in the input light.
- (f) Signal processing circuit
The signal processing circuit consists of a gate circuit and digital integrator circuit. The gate circuit discriminates input pulses during synchronous detection, to prevent operational errors caused by asynchronous background light. Background light which is synchronized with the signal detection timing cannot be eliminated by the gate circuit, but is canceled out by the digital integrator circuit at the latter stage.
- (g) Output circuit
This circuit serves as an output buffer for the signal processing circuit and outputs the signal to an external circuit.

Dimensional outlines (unit: mm)

S6809, S6846, S6986

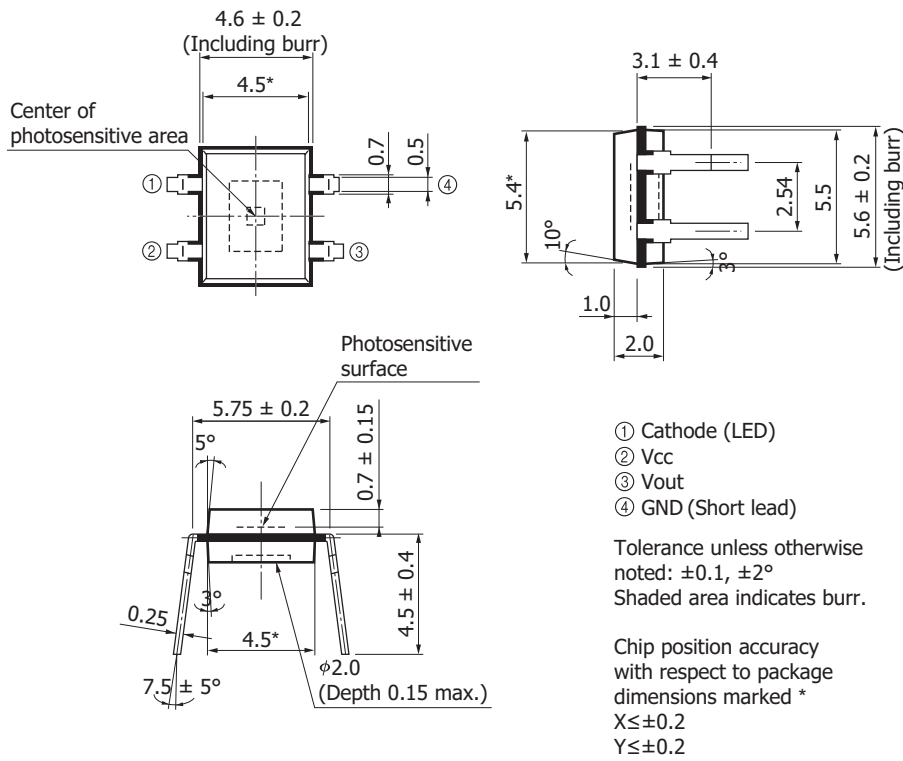


- ① Vout
- ② GND
- ③ Cathode (LED)
- ④ Vcc

Tolerance unless otherwise noted: $\pm 0.1, \pm 2^\circ$
 Shaded area indicates burr.
 Values in parentheses are not guaranteed, but for reference.

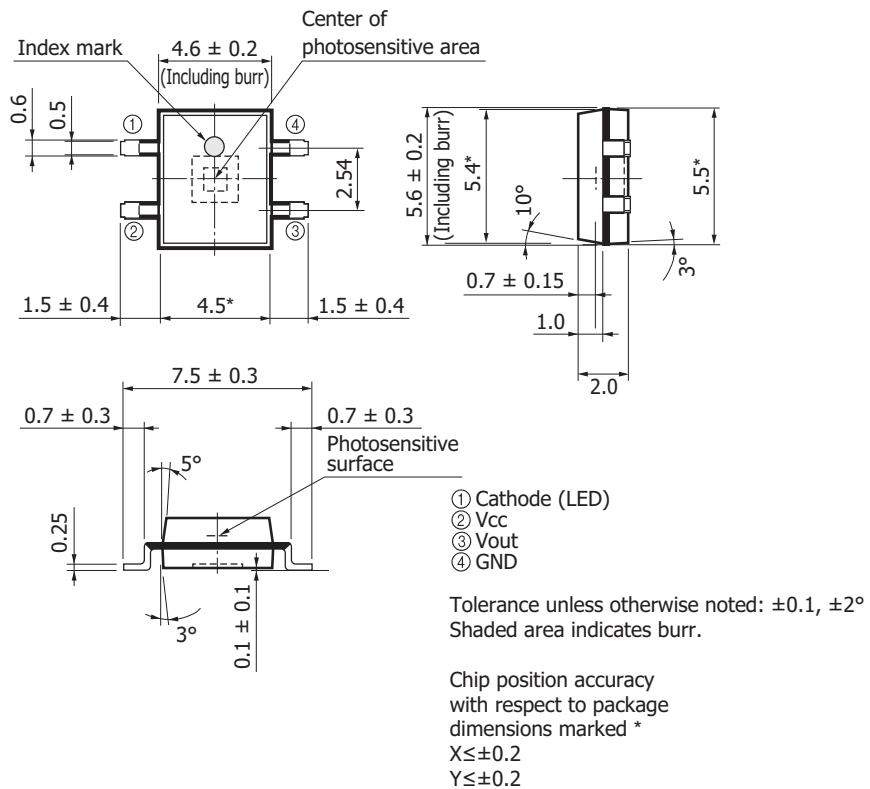
KPICA0008EC

S4282-51, S7136



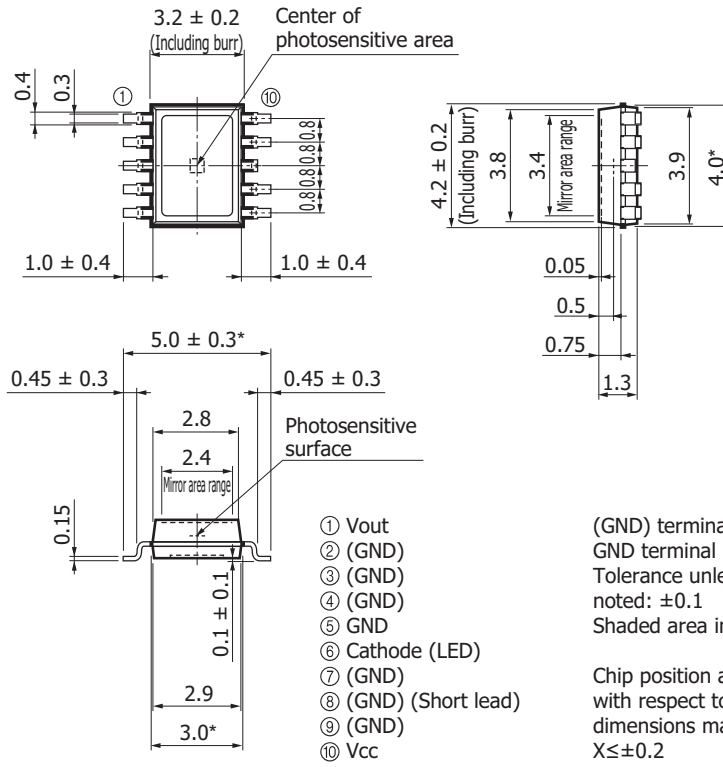
KPICA0009EB

S7136-10



KPICA00343B

S10053



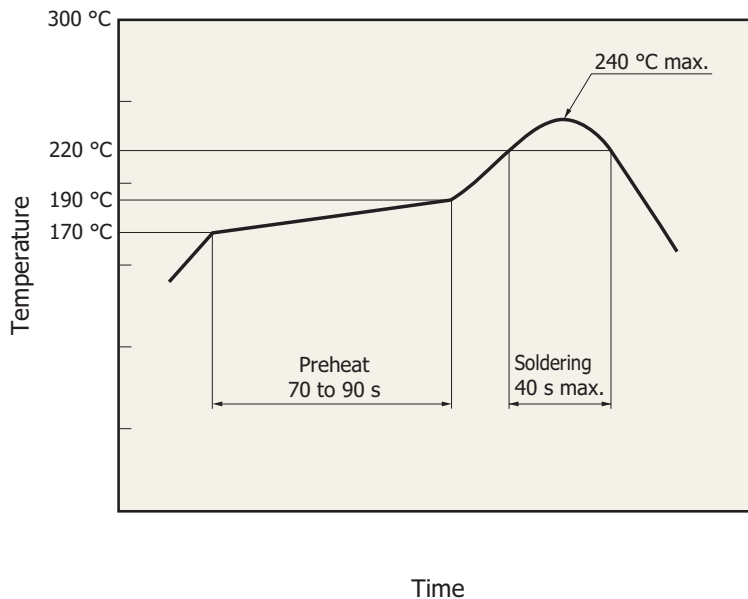
(GND) terminals should be connected to GND terminal ⑤ on board.
 Tolerance unless otherwise noted: ± 0.1
 Shaded area indicates burr.

Chip position accuracy with respect to the package dimensions marked *
 $X \leq \pm 0.2$
 $Y \leq \pm 0.2$

KP1CA0076EC

Measured example of temperature profile with our hot-air reflow oven for product testing (S10053)

The S10053 supports lead-free soldering. After unpacking, store it in an environment at a temperature of 30 °C or less and a humidity of 60% or less, and perform soldering within 24 hours.



KPICB0171EA

Information described in this material is current as of March, 2013.

Product specifications are subject to change without prior notice due to improvements or other reasons. This document has been carefully prepared and the information contained is believed to be accurate. In rare cases, however, there may be inaccuracies such as text errors. Before using these products, always contact us for the delivery specification sheet to check the latest specifications.

The product warranty is valid for one year after delivery and is limited to product repair or replacement for defects discovered and reported to us within that one year period. However, even if within the warranty period we accept absolutely no liability for any loss caused by natural disasters or improper product use.

Copying or reprinting the contents described in this material in whole or in part is prohibited without our prior permission.

HAMAMATSU

www.hamamatsu.com

HAMAMATSU PHOTONICS K.K., Solid State Division

1126-1 Ichino-cho, Higashi-ku, Hamamatsu City, 435-8558 Japan, Telephone: (81) 53-434-3311, Fax: (81) 53-434-5184

U.S.A.: Hamamatsu Corporation: 360 Foothill Road, P.O.Box 6910, Bridgewater, N.J. 08807-0910, U.S.A., Telephone: (1) 908-231-0960, Fax: (1) 908-231-1218

Germany: Hamamatsu Photonics Deutschland GmbH: Arzbergerstr. 10, D-82211 Herrsching am Ammersee, Germany, Telephone: (49) 8152-375-0, Fax: (49) 8152-265-8

France: Hamamatsu Photonics France S.A.R.L.: 19, Rue du Saule Trapu, Parc du Moulin de Massy, 91882 Massy Cedex, France, Telephone: 33-(1) 69 53 71 00, Fax: 33-(1) 69 53 71 10

United Kingdom: Hamamatsu Photonics UK Limited: 2 Howard Court, 10 Tewin Road, Welwyn Garden City, Hertfordshire AL7 1BW, United Kingdom, Telephone: (44) 1707-294888, Fax: (44) 1707-325777

North Europe: Hamamatsu Photonics Norden AB: Thorshamnsgatan 35 16440 Kista, Sweden, Telephone: (46) 8-509-031-00, Fax: (46) 8-509-031-01

Italy: Hamamatsu Photonics Italia S.R.L.: Strada della Moia, 1 int. 6, 20020 Arese, (Milano), Italy, Telephone: (39) 02-935-81-733, Fax: (39) 02-935-81-741

China: Hamamatsu Photonics (China) Co., Ltd.: 1201 Tower B, Jiaming Center, No.27 Dongsanhuan Beilu, Chaoyang District, Beijing 100020, China, Telephone: (86) 10-6586-6006, Fax: (86) 10-6586-2866