

**Descriptions**

- The S78DL15 is a linear voltage regulator that provides 150mA of output current in the TO-92 package. This regulator has low dropout voltage and low quiescent current and current limit protection.

**Features**

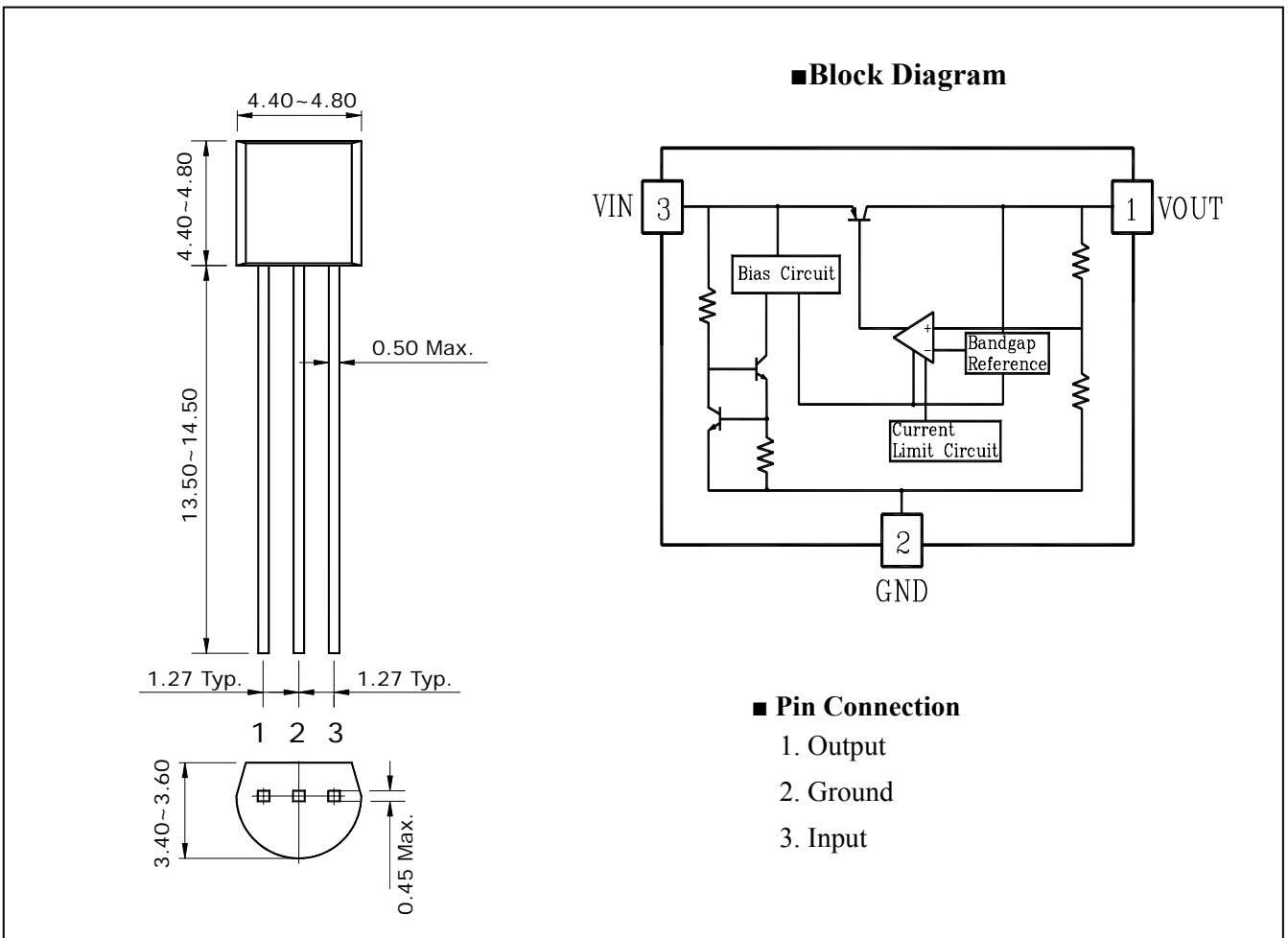
- Low Quiescent Current Consumption (250uA Typ.)
- Maximum Output Current (150mA Max.)
- Less Input/Output Voltage Difference (600mV Max @ $I_O=100mA.$ )

**Ordering Information**

Type NO.	Marking	Package Code
S78DL15	S78DL15	TO-92

**Outline Dimensions**

**unit: mm**



## Maximum ratings

Ta=25°C

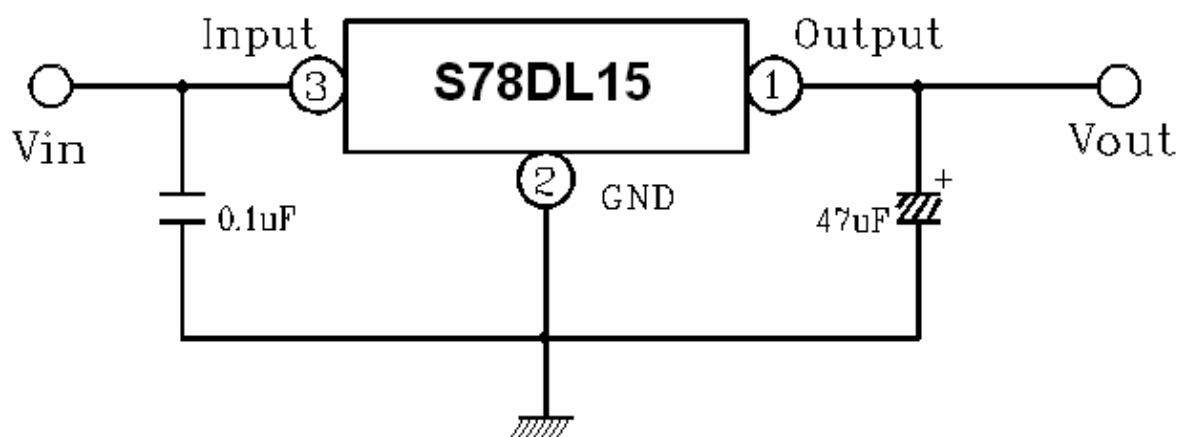
Characteristic	Symbol	Ratings	Unit
Operating Input Voltage	V <sub>IN</sub>	16	V
Power Dissipation	P <sub>D</sub>	625	mW
Junction Temperature	T <sub>j</sub>	150	°C
Operating Temperature Range	T <sub>OPR</sub>	-40~+85	°C
Storage Temperature Range	T <sub>stg</sub>	-55~150	°C

## Electrical Characteristics

(Electric Characteristic at V<sub>IN</sub>=V<sub>O</sub>+1.0V, I<sub>OUT</sub>=100uA, T<sub>j</sub>=25°C, unless otherwise specified)

Characteristic	Symbol	Test Condition	Min.	Typ.	Max.	Unit
Output Voltage	V <sub>O</sub>	V <sub>IN</sub> =2.5V, I <sub>OUT</sub> =100uA	1.44	1.50	1.56	V
Line Regulation	ΔV <sub>O(ΔV<sub>I</sub>)</sub>	V <sub>IN</sub> =2.5V~10V, I <sub>OUT</sub> =100uA	-	1	5	mV
Load Regulation	ΔV <sub>O(ΔI<sub>O</sub>)</sub>	V <sub>IN</sub> =2.5V, I <sub>OUT</sub> =1~150mA	-	15	28	mV
Dropout Voltage	V <sub>DROP</sub>	I <sub>OUT</sub> =50mA	-	450	500	mV
		I <sub>OUT</sub> =100mA	-	500	600	
Ripple Rejection Ratio	RR	f=120Hz, I <sub>OUT</sub> =100uA	-	75	-	dB
Quiescent Current	I <sub>QC</sub>	V <sub>IN</sub> =2.5V, I <sub>OUT</sub> =100uA	-	250	400	uA
		V <sub>IN</sub> =2.5V, I <sub>OUT</sub> =50mA	-	1.5	3.0	mA
		V <sub>IN</sub> =2.5V, I <sub>OUT</sub> =100mA	-	3.5	5.0	mA

## ■ Test circuit



Electrical Characteristics Curves

Fig.1  $I_O$  vs.  $V_{DROD}$

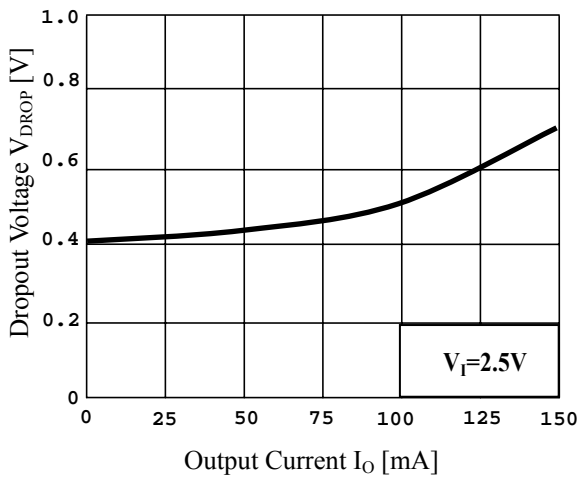


Fig.2  $V_I$  vs.  $I_{QC}$

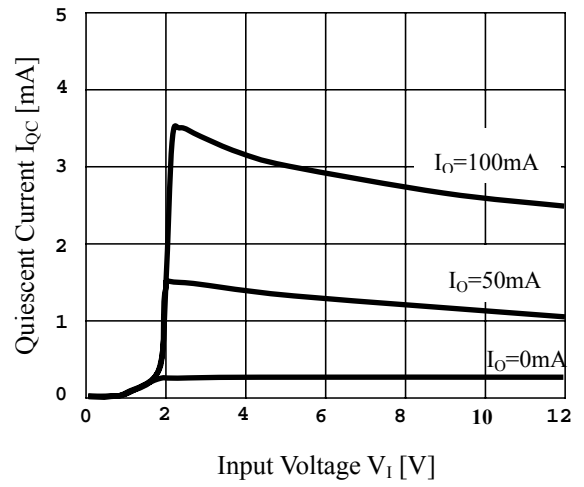


Fig.3  $P_D$  vs  $T_a$

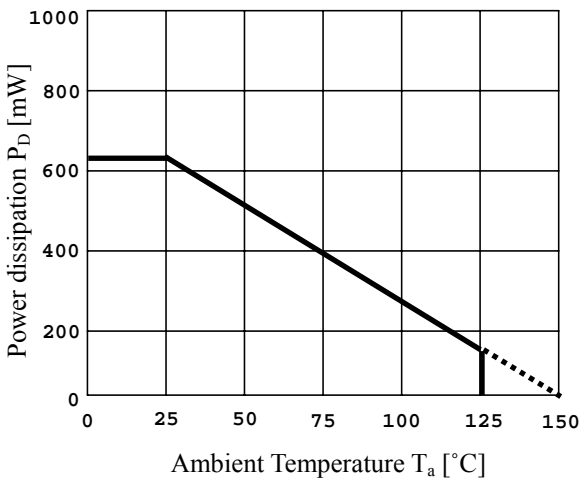
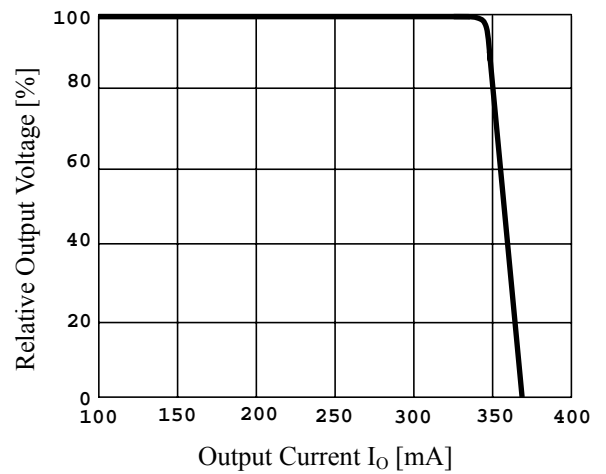


Fig.4  $I_O$  vs.  $V_O$



**The AUK Corp. products are intended for the use as components in general electronic equipment (Office and communication equipment, measuring equipment, home appliance, etc.).**

**Please make sure that you consult with us before you use these AUK Corp. products in equipments which require high quality and / or reliability, and in equipments which could have major impact to the welfare of human life(atomic energy control, airplane, spaceship, transportation, combustion control, all types of safety device, etc.). AUK Corp. cannot accept liability to any damage which may occur in case these AUK Corp. products were used in the mentioned equipments without prior consultation with AUK Corp..**

**Specifications mentioned in this publication are subject to change without notice.**