

Silicon NPN Planar RF Transistor

Electrostatic sensitive device.
Observe precautions for handling.

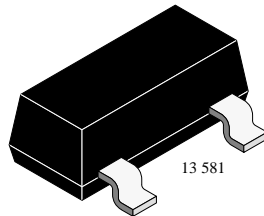
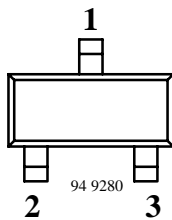


Applications

For low noise and high gain broadband amplifiers at collector currents from 0.2 mA to 5 mA.

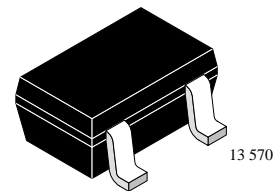
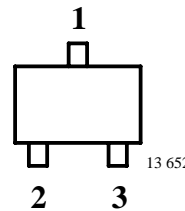
Features

- Low supply voltage
- Low current consumption
- 50 Ω input impedance at 945 MHz
- Low noise figure
- High power gain



S852T Marking: 852

1 = Collector, 2 = Base, 3 = Emitter



S852TW Marking: W52
Plastic case (SOT 323)

1 = Collector, 2 = Base, 3 = Emitter

Absolute Maximum Ratings

$T_{amb} = 25^{\circ}\text{C}$, unless otherwise specified

Parameter	Test Conditions	Symbol	Value	Unit
Collector-base voltage		V_{CBO}	12	V
Collector-emitter voltage		V_{CEO}	6	V
Emitter-base voltage		V_{EBO}	2	V
Collector current		I_C	8	mA
Total power dissipation	$T_{amb} \leq 125^{\circ}\text{C}$	P_{tot}	30	mW
Junction temperature		T_j	150	$^{\circ}\text{C}$
Storage temperature range		T_{stg}	-65 to +150	$^{\circ}\text{C}$

Maximum Thermal Resistance

$T_{amb} = 25^{\circ}\text{C}$, unless otherwise specified

Parameter	Test Conditions	Symbol	Value	Unit
Junction ambient	on glass fibre printed board (25 x 20 x 1.5) mm ³ plated with 35 μm Cu	R_{thJA}	450	K/W

Electrical DC Characteristics

$T_{amb} = 25^{\circ}\text{C}$, unless otherwise specified

Parameter	Test Conditions	Symbol	Min	Typ	Max	Unit
Collector cut-off current	$V_{CE} = 12\text{ V}, V_{BE} = 0$	I_{CES}			100	μA
Collector-base cut-off current	$V_{CB} = 8\text{ V}, I_E = 0$	I_{CBO}			100	nA
Emitter-base cut-off current	$V_{EB} = 1\text{ V}, I_C = 0$	I_{EBO}			1	μA
Collector-emitter breakdown voltage	$I_C = 1\text{ mA}, I_B = 0$	$V_{(BR)CEO}$	6			V
Collector-emitter saturation voltage	$I_C = 5\text{ mA}, I_B = 0.5\text{ mA}$	V_{CEsat}		0.1	0.4	V
DC forward current transfer ratio	$V_{CE} = 3\text{ V}, I_C = 1\text{ mA}$	h_{FE}	40	90	150	

Electrical AC Characteristics

$T_{amb} = 25^{\circ}\text{C}$, unless otherwise specified

Parameter	Test Conditions	Symbol	Min	Typ	Max	Unit
Transition frequency	$V_{CE} = 3\text{ V}, I_C = 1\text{ mA}, f = 500\text{ MHz}$	f_T		4.7		GHz
	$V_{CE} = 2\text{ V}, I_C = 1.5\text{ mA}, f = 500\text{ MHz}$	f_T		5.2		GHz
Collector-base capacitance	$V_{CB} = 1\text{ V}, f = 1\text{ MHz}$	C_{cb}		0.25		pF
Noise figure	$Z_S = Z_{Sopt}, f = 450\text{ MHz}, V_{CE} = 2\text{ V}, I_C = 0.5\text{ mA}$	F_{opt}		1.1		dB
	$Z_S = Z_{Sopt}, f = 945\text{ MHz}, V_{CE} = 3\text{ V}, I_C = 1\text{ mA}$	F_{opt}		1.8		dB
	$Z_S = Z_{Sopt}, f = 945\text{ MHz}, V_{CE} = 2\text{ V}, I_C = 1.5\text{ mA}$	F_{opt}		2		dB
Power gain	$V_{CE} = 2\text{ V}, I_C = 0.5\text{ mA}, f = 450\text{ MHz}$	$G_{pe @ F_{opt}}$		11.5		dB
	$V_{CE} = 3\text{ V}, I_C = 1\text{ mA}, f = 945\text{ MHz}$	$G_{pe @ F_{opt}}$		10.5		dB
	$V_{CE} = 2\text{ V}, I_C = 1.5\text{ mA}, f = 945\text{ MHz}$	$G_{pe @ F_{opt}}$		12		dB
Collector current for f_T max	$V_{CE} = 2\text{ V}, f = 500\text{ MHz}$	I_C		3		mA
Real part of input impedance	$V_{CE} = 3\text{ V}, I_C = 1\text{ mA}, f = 945\text{ MHz}$	$Re_{(h11e)}$		50		Ω
	$V_{CE} = 2\text{ V}, I_C = 1.5\text{ mA}, f = 945\text{ MHz}$	$Re_{(h11e)}$		50		Ω



Common Emitter S-Parameters

$Z_0 = 50 \Omega$, $T_{amb} = 25^\circ C$, unless otherwise specified

V_{CE}/V	I_C/mA	f/MHz	S11		S21		S12		S22	
			LIN MAG	ANG	LIN MAG	ANG	LIN MAG	ANG	LIN MAG	ANG
				deg		deg		deg		deg
2	0.5	100	9.976	-3.8	1.71	174.9	0.015	86.8	0.998	-2.3
		200	0.969	-7.9	1.71	168.9	0.029	83.4	0.993	-4.7
		300	0.955	-11.7	1.70	163.3	0.044	80.0	0.984	-6.7
		400	0.939	-15.5	1.68	157.7	0.058	76.8	0.974	-8.7
		500	0.920	-18.9	1.64	151.9	0.070	73.6	0.959	-10.6
		600	0.901	-22.4	1.62	147.2	0.082	71.5	0.948	-12.4
		700	0.881	-25.8	1.58	142.2	0.093	69.0	0.935	-13.9
		800	0.861	-28.9	1.56	137.6	0.104	66.7	0.922	-15.5
		900	0.838	-32.3	1.53	133.1	0.114	65.0	0.909	-17.2
		1000	0.818	-35.4	1.50	129.4	0.121	63.5	0.898	-18.6
		1100	0.793	-38.8	1.49	125.1	0.130	61.8	0.884	-19.7
		1200	0.772	-41.5	1.46	121.3	0.138	60.4	0.873	-21.3
		1300	0.746	-45.1	1.44	117.2	0.148	58.6	0.859	-22.6
	1.5	100	0.972	-7.5	4.84	170.9	0.016	84.8	0.990	-3.9
		200	0.898	-14.5	4.69	161.7	0.031	79.8	0.972	-7.4
		300	0.858	-21.0	4.49	153.1	0.045	75.1	0.944	-10.6
		400	0.811	-27.0	4.27	145.1	0.057	71.5	0.913	-13.1
		500	0.762	-32.2	4.01	137.8	0.067	68.3	0.880	-15.3
		600	0.710	-36.8	3.77	131.3	0.077	65.9	0.849	-16.8
		700	0.662	-40.3	3.55	125.3	0.085	63.6	0.820	-17.8
		800	0.617	-43.8	3.33	120.0	0.093	62.1	0.796	-18.7
		900	0.576	-46.9	3.15	115.1	0.099	61.2	0.775	-19.5
		1000	0.540	-50.0	2.98	110.7	0.106	60.3	0.756	-20.3
		1100	0.502	-52.4	2.82	106.5	0.113	59.5	0.740	-20.8
		1200	0.470	-54.8	2.69	102.8	0.118	59.3	0.724	-21.4
		1300	0.439	-57.6	2.56	99.0	0.123	58.7	0.710	-21.7

Typical Characteristics ($T_{amb} = 25^{\circ}\text{C}$ unless otherwise specified)

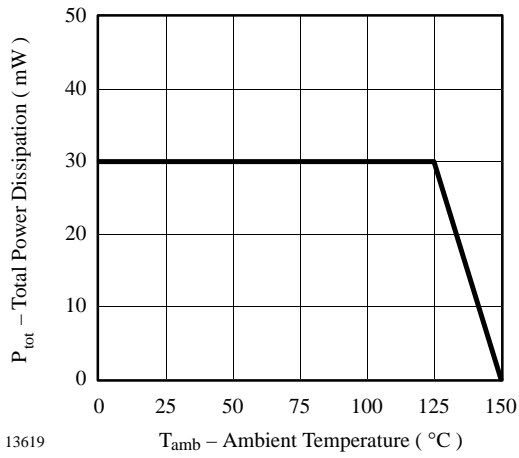


Figure 1. Total Power Dissipation vs. Ambient Temperature

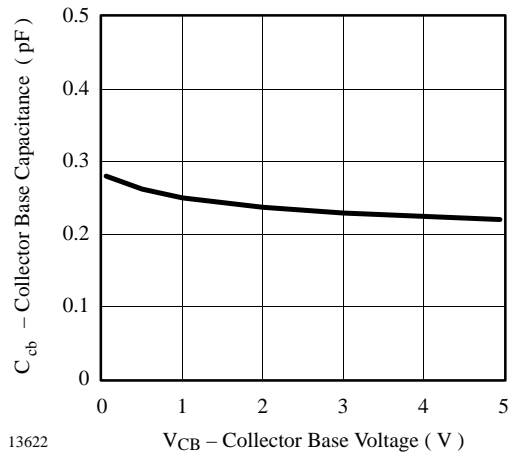


Figure 3. Collector Base Capacitance vs. Collector Base Voltage

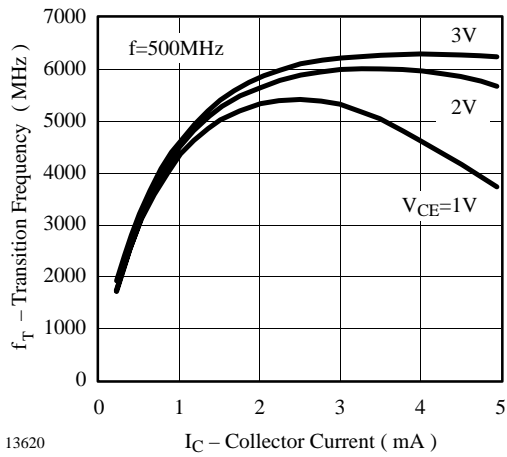


Figure 2. Transition Frequency vs. Collector Current

$V_{CE} = 2 \text{ V}$, $I_C = 1.5 \text{ mA}$, $Z_0 = 50 \Omega$

S_{11}

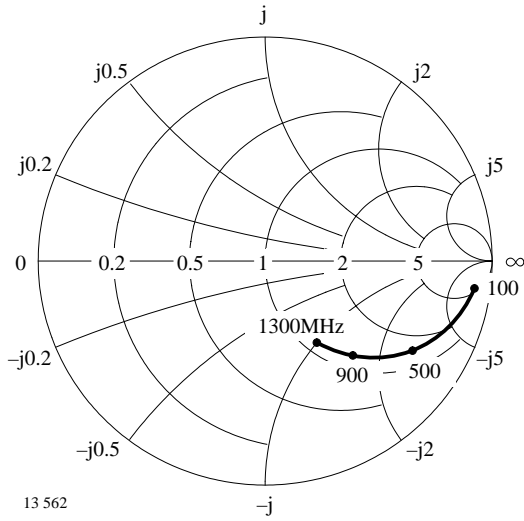


Figure 4. Input reflection coefficient

S_{12}

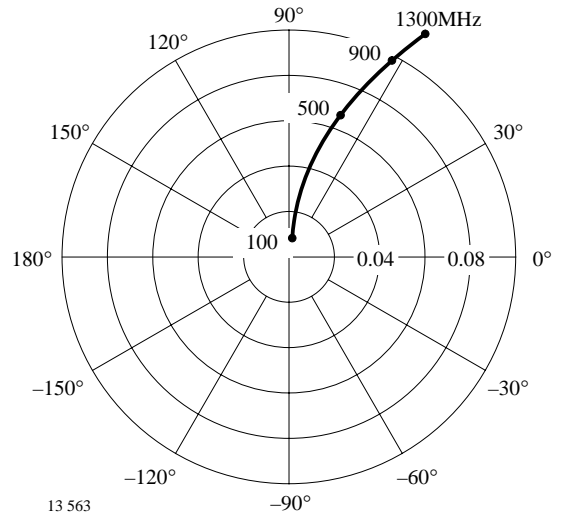


Figure 6. Reverse transmission coefficient

S_{21}

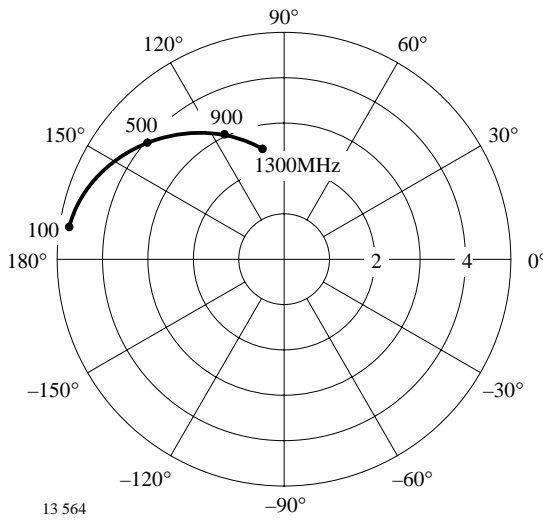


Figure 5. Forward transmission coefficient

S_{22}

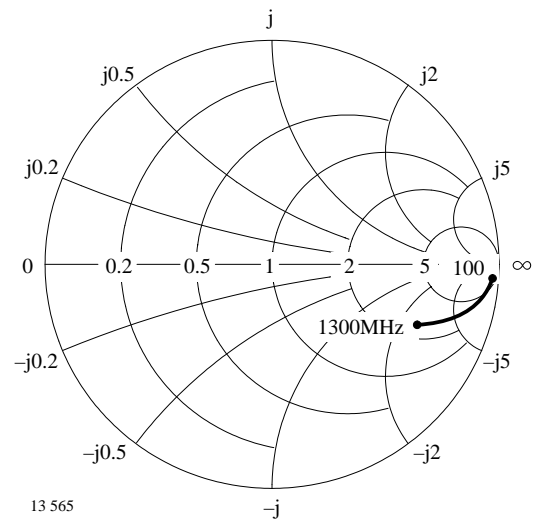


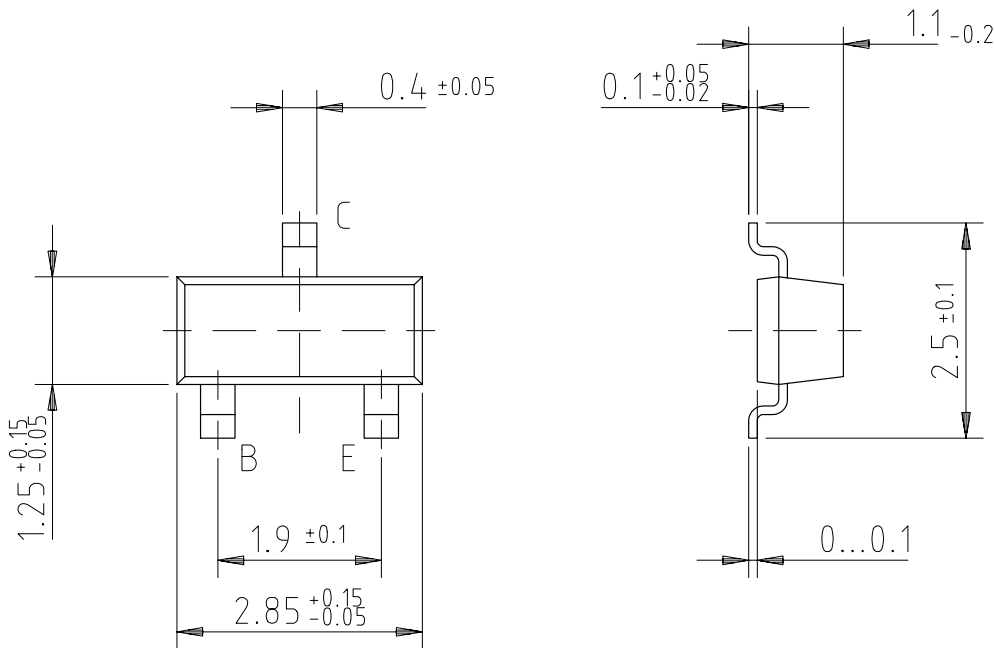
Figure 7. Output reflection coefficient

S852T/S852TW

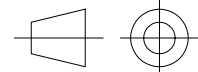
Vishay Telefunken



Dimensions of S852T in mm

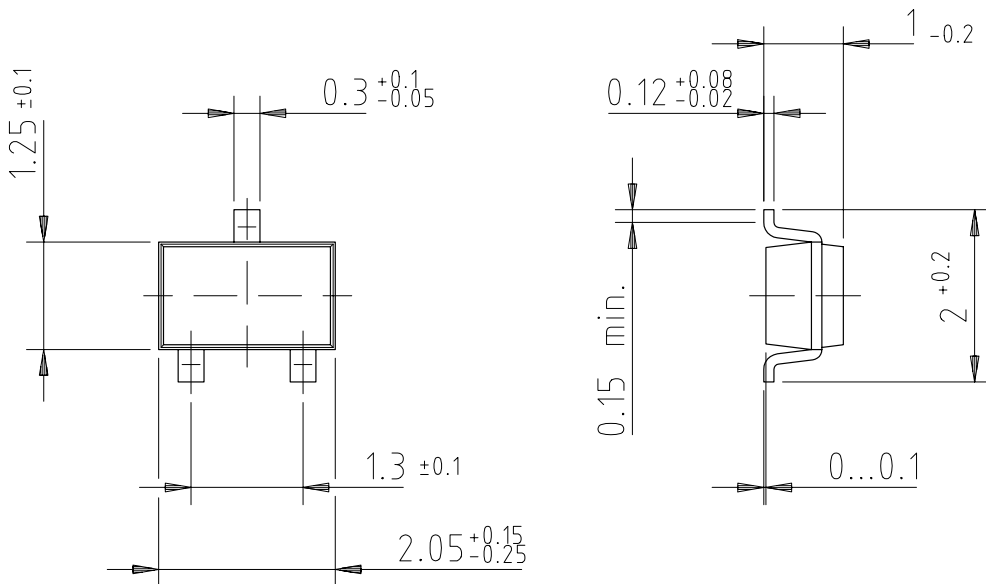


95 11346

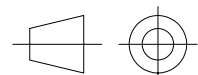


technical drawings according to DIN specifications

Dimensions of S852TW in mm



96 12236



technical drawings according to DIN specifications



Ozone Depleting Substances Policy Statement

It is the policy of **Vishay Semiconductor GmbH** to

1. Meet all present and future national and international statutory requirements.
2. Regularly and continuously improve the performance of our products, processes, distribution and operating systems with respect to their impact on the health and safety of our employees and the public, as well as their impact on the environment.

It is particular concern to control or eliminate releases of those substances into the atmosphere which are known as ozone depleting substances (ODSs).

The Montreal Protocol (1987) and its London Amendments (1990) intend to severely restrict the use of ODSs and forbid their use within the next ten years. Various national and international initiatives are pressing for an earlier ban on these substances.

Vishay Semiconductor GmbH has been able to use its policy of continuous improvements to eliminate the use of ODSs listed in the following documents.

1. Annex A, B and list of transitional substances of the Montreal Protocol and the London Amendments respectively
2. Class I and II ozone depleting substances in the Clean Air Act Amendments of 1990 by the Environmental Protection Agency (EPA) in the USA
3. Council Decision 88/540/EEC and 91/690/EEC Annex A, B and C (transitional substances) respectively.

Vishay Semiconductor GmbH can certify that our semiconductors are not manufactured with ozone depleting substances and do not contain such substances.

We reserve the right to make changes to improve technical design and may do so without further notice.

Parameters can vary in different applications. All operating parameters must be validated for each customer application by the customer. Should the buyer use Vishay-Telefunken products for any unintended or unauthorized application, the buyer shall indemnify Vishay-Telefunken against all claims, costs, damages, and expenses, arising out of, directly or indirectly, any claim of personal damage, injury or death associated with such unintended or unauthorized use.

Vishay Semiconductor GmbH, P.O.B. 3535, D-74025 Heilbronn, Germany
Telephone: 49 (0) 7131 67 2831, Fax number: 49 (0) 7131 67 2423