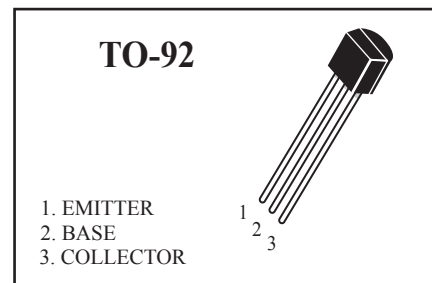


PNP General Purpose Transistors

(Pb) Lead(Pb)-Free

www.DataSheet4U.com



ABSOLUTE MAXIMUM RATINGS (Ta=25°C)

Rating	Symbol	Value	Unit
Collector-Emitter Voltage	V _{CEO}	-25	Vdc
Collector-Base Voltage	V _{CBO}	-40	Vdc
Emitter-Base Voltage	V _{EBO}	-5	Vdc
Collector Current	I _C	-500	mAdc
Total Device Dissipation T _A =25°C	PCM	0.625	W
Junction Temperature	T _j	150	°C
Storage, Temperature	T _{stg}	-55 to +150	°C

ELECTRICAL CHARACTERISTICS

Characteristics	Symbol	Min	Max	Unit
Collector-Emitter Breakdown Voltage (I _C = -1.0 mAdc, I _B =0)	V _{(BR)CEO}	-25	-	Vdc
Collector-Base Breakdown Voltage (I _C = -100 uAdc, I _E =0)	V _{(BR)CBO}	-40	-	Vdc
Emitter-Base Breakdown Voltage (I _E = -100 uAdc, I _C =0)	V _{(BR)EBO}	-5	-	Vdc
Collector Cutoff Current (V _{CE} = -20 Vdc, I _B =0)	I _{CE0}	-	-0.1	uAdc
Collector Cutoff Current (V _{CB} = -40 Vdc, I _E =0)	I _{CBO}	-	-0.1	uAdc
Emitter Cutoff Current (V _{EB} = -5.0V dc, I _C =0)	I _{EBO}	-	-0.1	uAdc

S9012 **WEITRON****Electrical Characteristics** ($T_A=25^\circ\text{C}$ unless otherwise noted) (Continued)

Characteristics	Symbol	Min	Max	Unit
-----------------	--------	-----	-----	------

On Characteristics

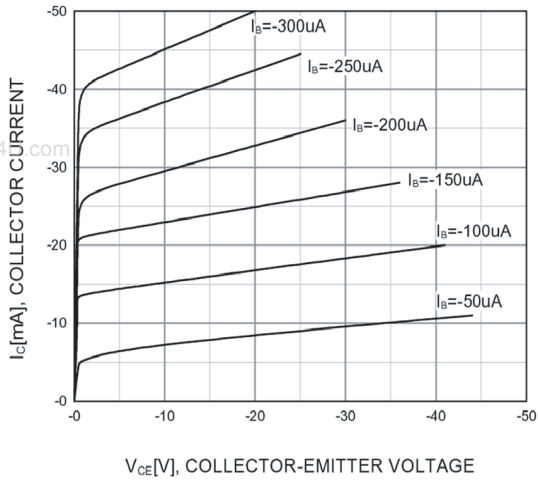
DC Current Gain ($I_C = -50\text{ mA dc}$, $V_{CE} = -1\text{ V dc}$) ($I_C = -500\text{ mA dc}$, $V_{CE} = -1\text{ V dc}$)	$h_{FE(1)}$ $h_{FE(2)}$	64 40	300 -	-
Collector-Emitter Saturation Voltage ($I_C = 500\text{ mA dc}$, $I_B = -50\text{ mA dc}$)	$V_{CE(sat)}$	-	-0.6	Vdc
Base-Emitter Saturation Voltage ($I_C = 500\text{ mA dc}$, $I_B = -50\text{ mA dc}$)	$V_{BE(sat)}$	-	-1.2	Vdc
Transition frequency	f_T	150	-	MHz

Classification Of $h_{FE(1)}$

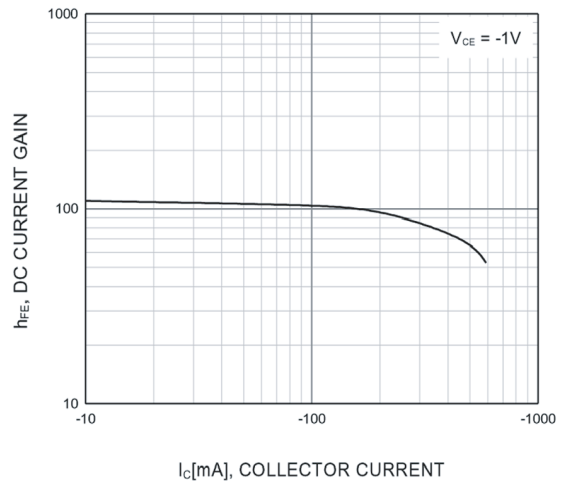
Rank	D	E	F	G	H	I
Range	64-91	78-112	96-135	112-166	144-202	190-300

WEITRON

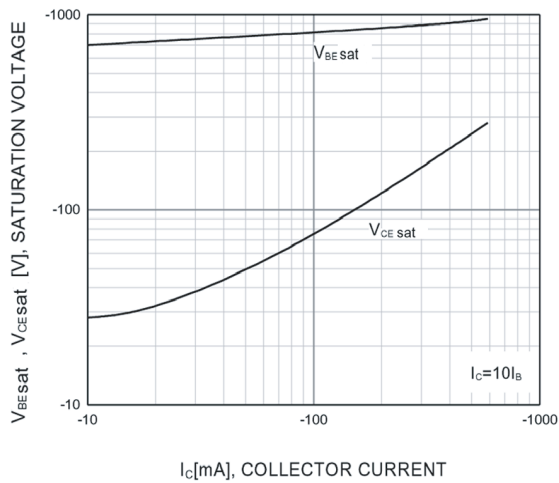
Typical Characteristics



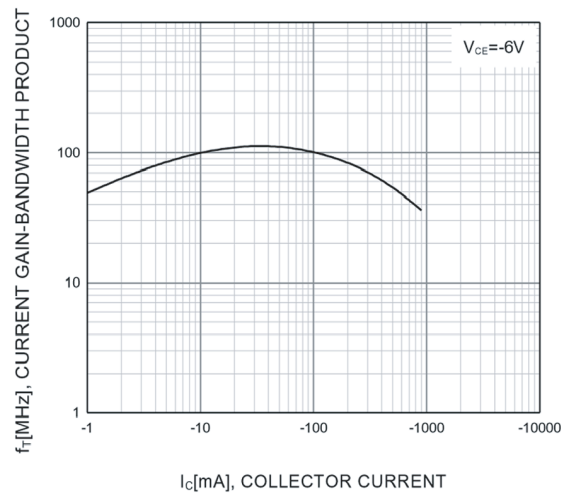
Static Characteristic



DC current Gain



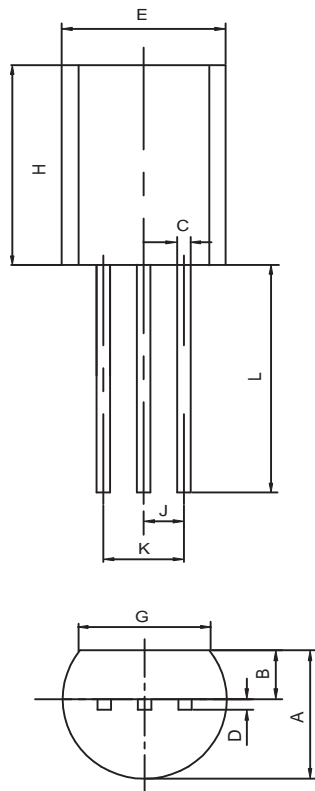
Base-Emitter Saturation Voltage
Collector-Emitter Saturation Voltage



Current Gain Bandwidth Product

TO-92 Outline Dimensions

unit:mm



TO-92

Dim	Min	Max
A	3.30	3.70
B	1.10	1.40
C	0.38	0.55
D	0.36	0.51
E	4.40	4.70
G	3.43	-
H	4.30	4.70
J	1.270TYP	
K	2.44	2.64
L	14.10	14.50