



# SA145A-XXYYU-6

36W/45W Switching Adapter

## Input

Rated Voltage	100 - 240 VAC
Max. Voltage	90 - 264 VAC
Line Frequency	47 - 63 Hz
Current	1200mA, at 100-240VAC
Configuration	IEC-320, C8, 2PIN

## Output

Model Name	Voltage	Current	Watt	Efficiency
SA145A-1240U-6(36W)	12V	3A	36W	75%
SA145A-1240U-6(48W)	12V	4A	48W	75%

Line Regulation	Less than $\pm 2\%$
Load Regulation	Less than $\pm 5\%$
Protections	OCP, OVP & Short circuit
Ripple Voltage	$\leq 120\text{mVp-p}$

## Environment

Operating Temp.	0°C - 40°C
Storage Temp.	-20°C - 80°C
Operating Humidity	20% - 80% (Non-condensing)

## Reliability

MTBF	50,000 hrs (by MIL-217 Standard)
Safety	ITE : UL, CSA, TUV/GS, CB, CE, PSE

## Others

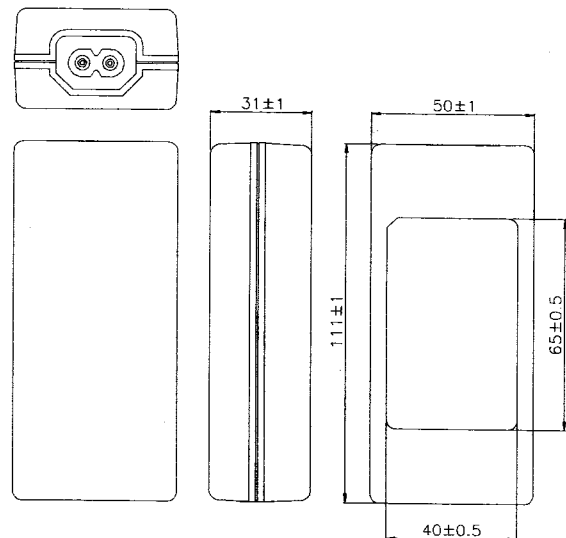
Package	60 pcs/box
Min. Order	1K pcs/lot
Warranty	1 year

## Electrical

Topology	Switching Mode
Hi-Pot	3000 Vac/1sec @ 5mA (primary - secondary)
Leakage Current	$\leq 0.25\text{mA}$ , at 240VAC/50Hz
Hold Up Time	$\geq 10$ mSec.
Standby Power	$\leq 1$ Watt
Consumption	
EMI	Complies with EMI directives

## Mechanical

Case Size	111L x 50W x 31H mm
Case Material	Black, 94V-1 or equivalent
Weight	255, $\pm 5$ g (36W) 275, $\pm 5$ g (48W)
DC Cord	6ft
LED Indicator	Optional



For reference only. For details please contact your local sales representative



# SA145A-XXYYV-6

36W/45W Switching Adapter

## Input

Rated Voltage	100 - 240 VAC
Max. Voltage	90 - 264 VAC
Line Frequency	47 - 63 Hz
Current	1200mA, at 100-240VAC
Configuration	IEC-320, C14, 3PIN

## Output

Model Name	Voltage	Current	Watt	Efficiency
SA145A-1240V-6(36W)	12V	3A	36W	75%
SA145A-1240V-6(48W)	12V	4A	48W	75%

Line Regulation	Less than $\pm 2\%$
Load Regulation	Less than $\pm 5\%$
Protections	OCP, OVP & Short circuit
Ripple Voltage	$\leq 120\text{mVp-p}$

## Environment

Operating Temp.	0°C - 40°C
Storage Temp.	-20°C - 80°C
Operating Humidity	20% - 80% (Non-condensing)

## Reliability

MTBF	50,000 hrs (by MIL-217 Standard)
Safety	ITE : UL, CSA, TUV/GS, CB, CE, PSE

## Others

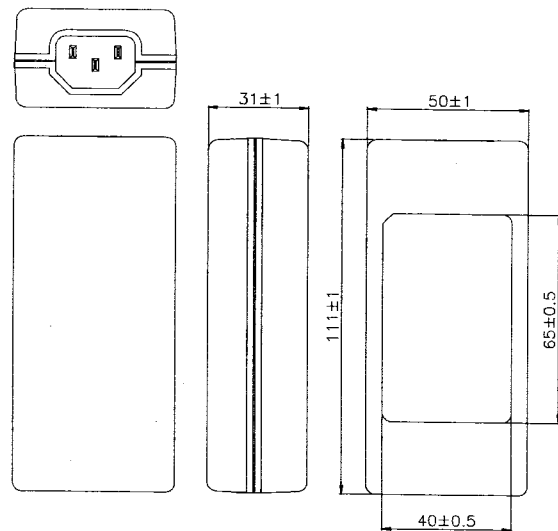
Package	60 pcs/box
Min. Order	1K pcs/lot
Warranty	1 year

## Electrical

Topology	Switching Mode
Hi-Pot	1800 Vac/1sec @ 5mA (primary - secondary)
Leakage Current	$\leq 3.5\text{mA}$ , at 240VAC/50Hz
Hold Up Time	$\geq 10$ mSec.
Standby Power	$\leq 1$ Watt
Consumption	
EMI	Complies with EMI directives

## Mechanical

Case Size	111L x 50W x 31H mm
Case Material	Black, 94V-1 or equivalent
Weight	255, $\pm 5$ g (36W) 275, $\pm 5$ g (48W)
DC Cord	6ft
LED Indicator	Optional



For reference only. For details please contact your local sales representative



# SA145A-2421U-6

50W Switching Adapter

## Input

Rated Voltage	100 - 240 VAC
Max. Voltage	90 - 264 VAC
Line Frequency	47 - 63 Hz
Current	1200mA, at 100-240VAC
Configuration	IEC-320, C8, 2PIN

## Output

Model Name	Voltage	Current	Watt	Efficiency
SA145A-2421U-6	24V	2.1A	50.4W	78%

Ave. Efficiency	As per CEC Guideline
Line Regulation	Less than $\pm 2\%$
Load Regulation	Less than $\pm 5\%$
Protections	OCP, OVP & Short circuit
Ripple Voltage	240mVp-p, (max.)

## Environment

Operating Temp.	0°C - 40°C
Storage Temp.	-20°C - 80°C
Operating Humidity	20% - 80% (Non-condensing)
RoHS & WEEE	Standard

## Reliability

MTBF	50,000 hrs (by MIL-217 Standard)
Safety	ITE : UL, CUL, TUV/GS, CB CE, PSE, CCC.

## Others

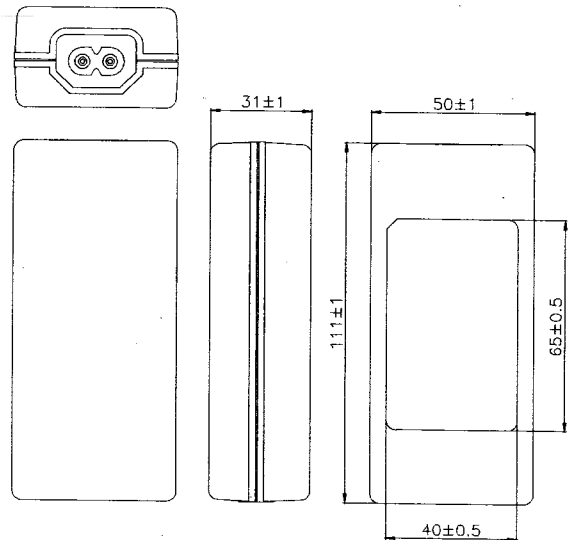
Package	60 pcs/box
Min. Order	1K pcs/lot
Warranty	1 year

## Electrical

Topology	Switching Mode
Hi-Pot	3000 Vac/1sec @ 5mA (primary - secondary)
Leakage Current	$\leq 0.25\text{mA}$ , at 240VAC/50Hz
Hold Up Time	$\geq 8$ mSec.
Standby Power Consumption	$\leq 0.75$ Watt (As per CEC Guideline)
EMI	Complies with EMI directives
CEC Compliance	Level III

## Mechanical

Case Size	111L x 50W x 31H mm
Case Material	Black, 94V-1 or equivalent
Weight	275, $\pm 5$ g
DC Cord	6ft



For reference only. For details please contact your local sales representative