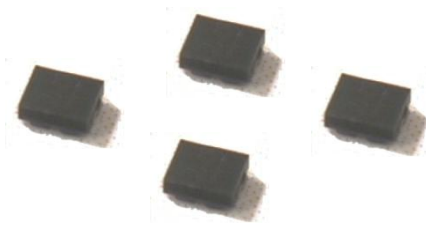




Data Sheet of SAW Components



Note : Murata SAW Component is applicable for Cellular /Cordless phone (Terminal) relevant market only.

Please also read caution at the end of this document.

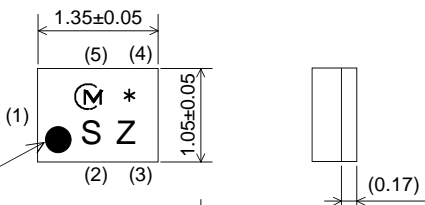
SAW FILTER FOR GSM1800(Rx)

Murata part number : SAFEA1G84FA0F00

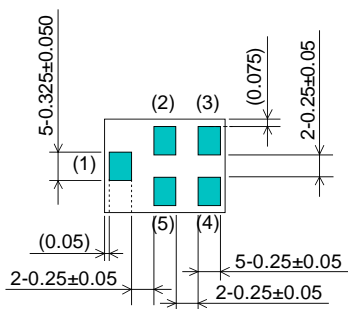
Package Dimensions

Specification

Top View



Bottom View



Marking
: Laser Printing
(1) : Unbalance Port
(3)(4) : Balance Port
Others : Ground

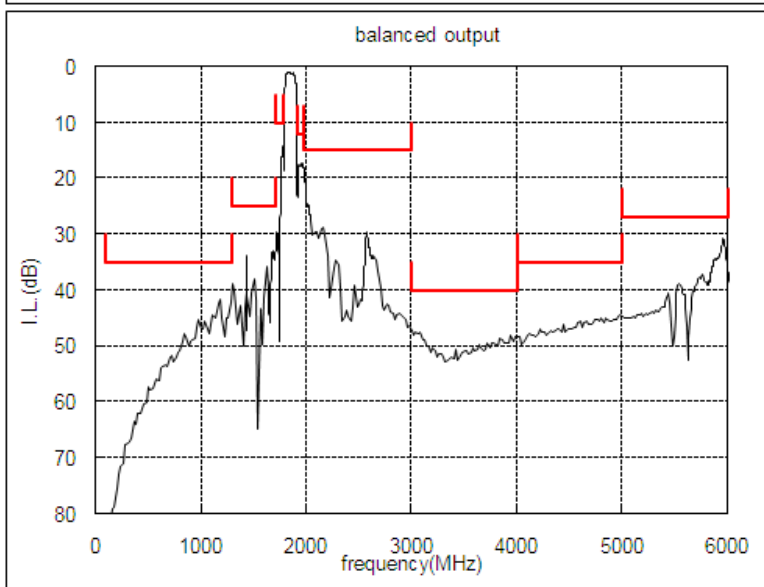
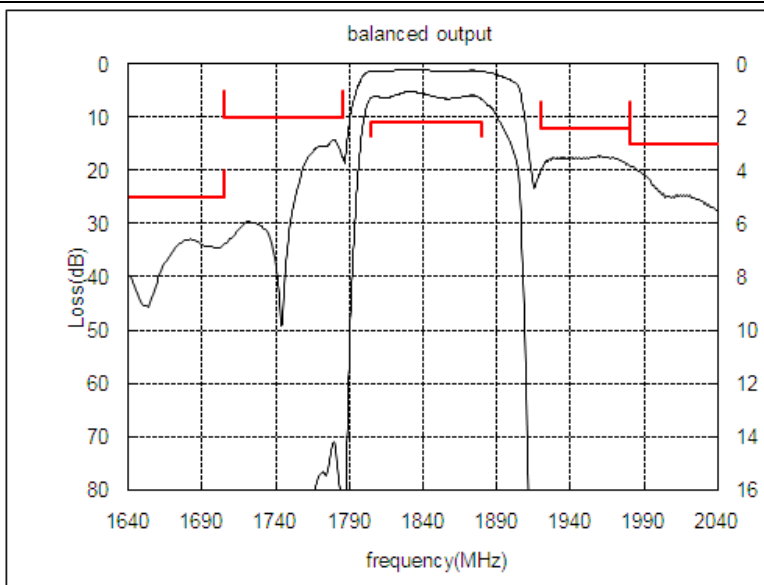
Unit : mm

| Item | Specification | | |
|--|-------------------------|--------------------|-----------|
| | -30 to 85°C | 25±2°C | typ. |
| Nominal Center Frequency(fc) | 1842.5MHz | | |
| Insertion Loss (1805 to 1880MHz) | 2.2dB max. | 1.7dB max. | 1.4 dB |
| Absolute Attenuation | | | |
| 1) 100 to 1300 MHz | 35 dB min. | 35 dB min. | 39 dB |
| 2) 1300 to 1705 MHz | 25 dB min. | 25 dB min. | 33 dB |
| 3) 1705 to 1785 MHz | 10 dB min. | 13 dB min. | 17 dB |
| 4) 1920 to 1980 MHz | 12 dB min. | 15 dB min. | 17 dB |
| 5) 1980 to 3000 MHz | 15 dB min. | 15 dB min. | 18 dB |
| 6) 3000 to 4000 MHz | 40 dB min. | 40 dB min. | 46 dB |
| 7) 4000 to 5000 MHz | 35 dB min. | 35 dB min. | 42 dB |
| 8) 5000 to 6000 MHz | 27 dB min. | 27 dB min. | 30 dB |
| Ripple Deviation (1805 to 1880MHz) | 1.5dB max. | 1.0dB max. | 0.3 dB |
| VSWR (1805 to 1880MHz) | 2.1 max. | 1.9 max. | 1.6 |
| Amplitude Balance (1805 to 1880MHz) | ±1.5dB max. | ±1.2dB max. | ±0.7dB |
| Phase Balance (1805 to 1880MHz) | 180±12deg. max. | 180±10deg. max. | 180+3deg. |
| Unbalance Port Matching Impedance (nominal) | 50Ω | | |
| Balance Port Matching Impedance (nominal) | 150Ω//18nH | | |
| Input Signal Level | 20mW(+13dBm),2000 hours | | |

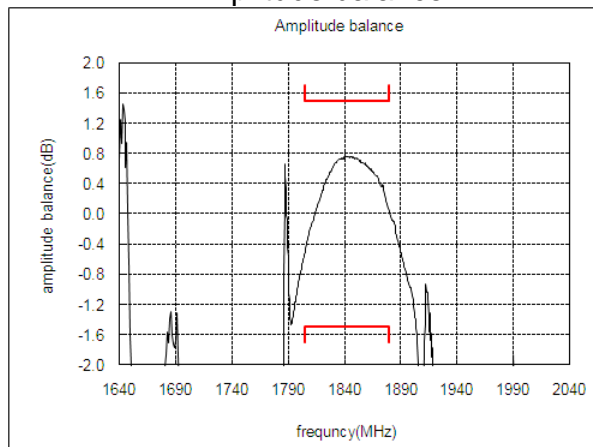
SAW FILTER FOR GSM1800(Rx)

Murata part number : SAFEA1G84FA0F00

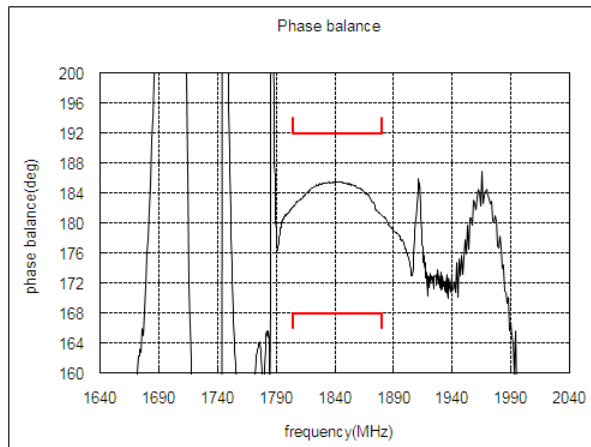
Frequency Performance



Amplitude balance



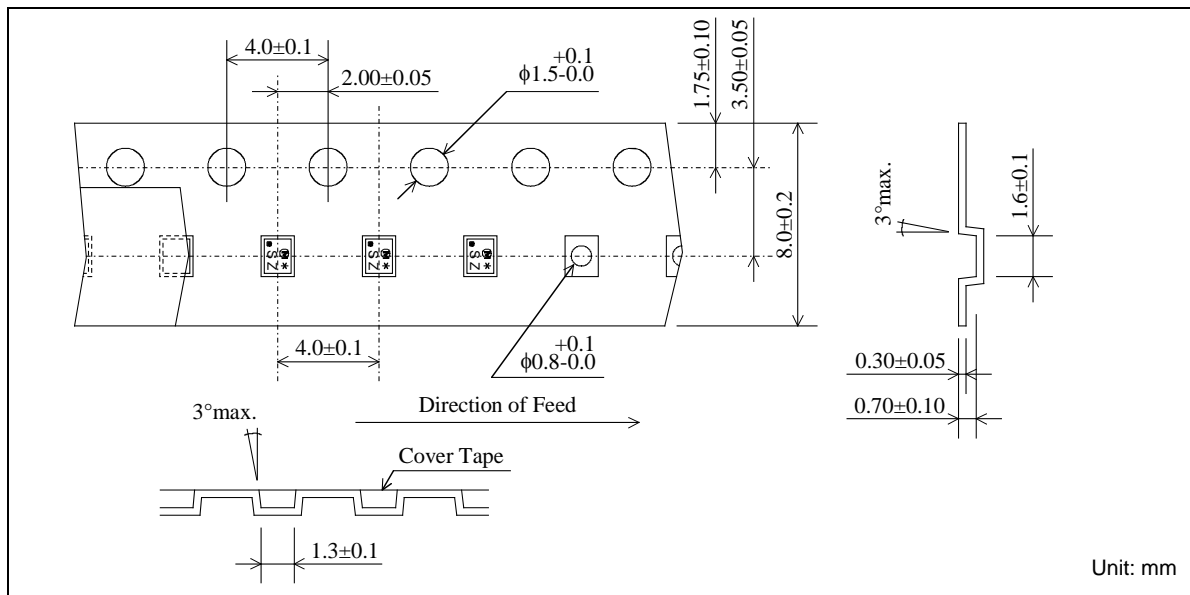
Phase balance



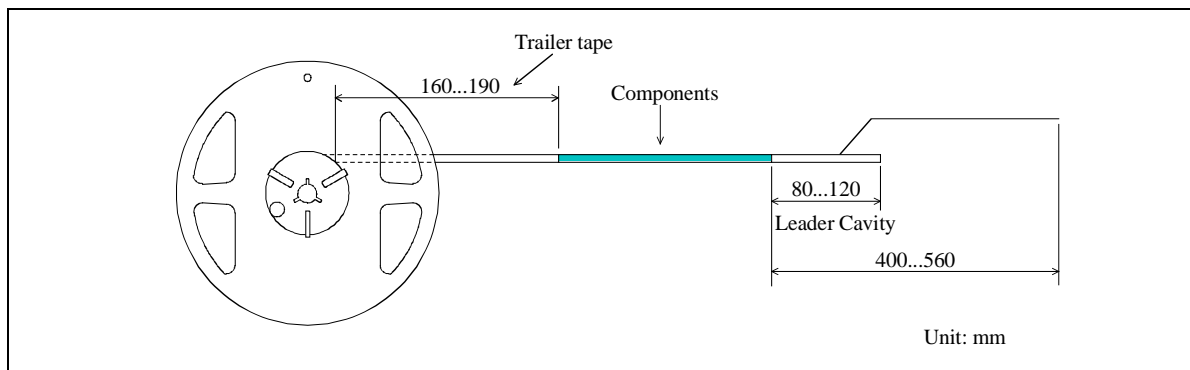
SAW FILTER FOR GSM1800(Rx)

Murata part number : SAFEA1G84FA0F00

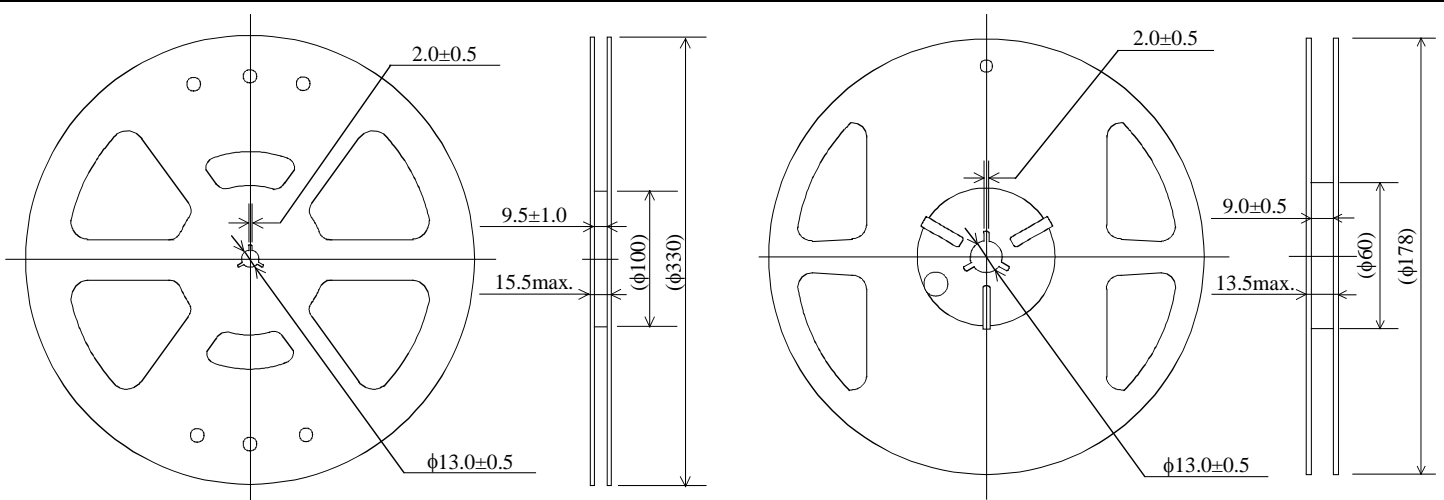
Dimensions of Carrier Tape



Dimensions of Tape



Dimensions of Reel



SAFEA1G84FA0F00R00 ... 10000pcs/reel

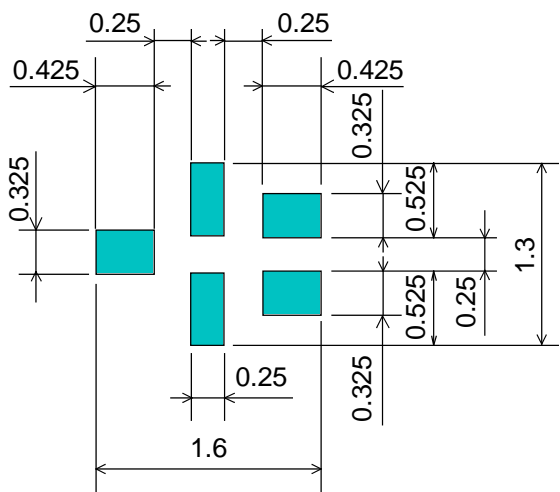
SAFEA1G84FA0F00R15 ... 5000pcs/reel


SAW FILTER FOR GSM1800(Rx)

Murata part number : SAFEA1G84FA0F00

Recommended Land Pattern

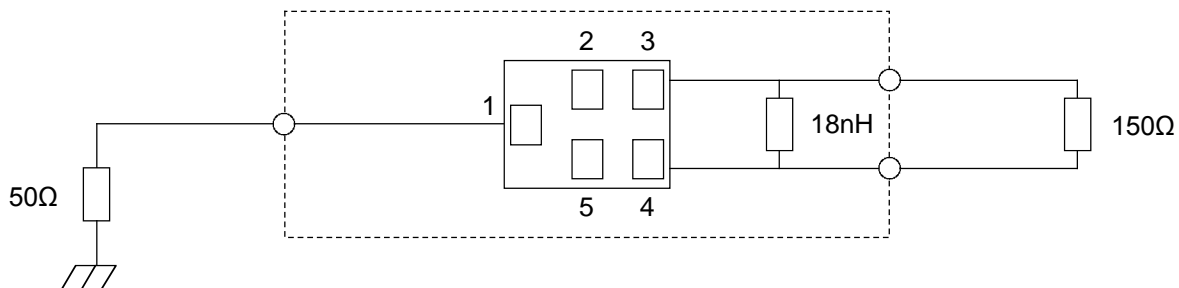
Top View



 : Land Pattern
Unit : mm

Test Circuit

Bottom View



SAW FILTER FOR GSM1800(Rx)

Murata part number : SAFEA1G84FA0F00

■ RoHS Compliance

This component is compliant with RoHS directive.

This component was always RoHS compliant from the first date of manufacture.

• Caution - Limitation of Applications

This product is intended for the following applications only; however, please do not use this product in these applications where defects might directly cause damage to a third party's life, body or property.

- a. Mobile Telephone
- b. Cordless phone (except for Automotive use)
- c. PC (Including Notebook PC, Netbook PC, Tablet)
- d. Game
- e. Camera (except for Business/security use)
- f. Set Top Box
- g. Electronic dictionary
- h. Digital audio equipment

• This catalog is for reference only and not an official product specification document, therefore, please review and approve our official product specification before ordering this product.