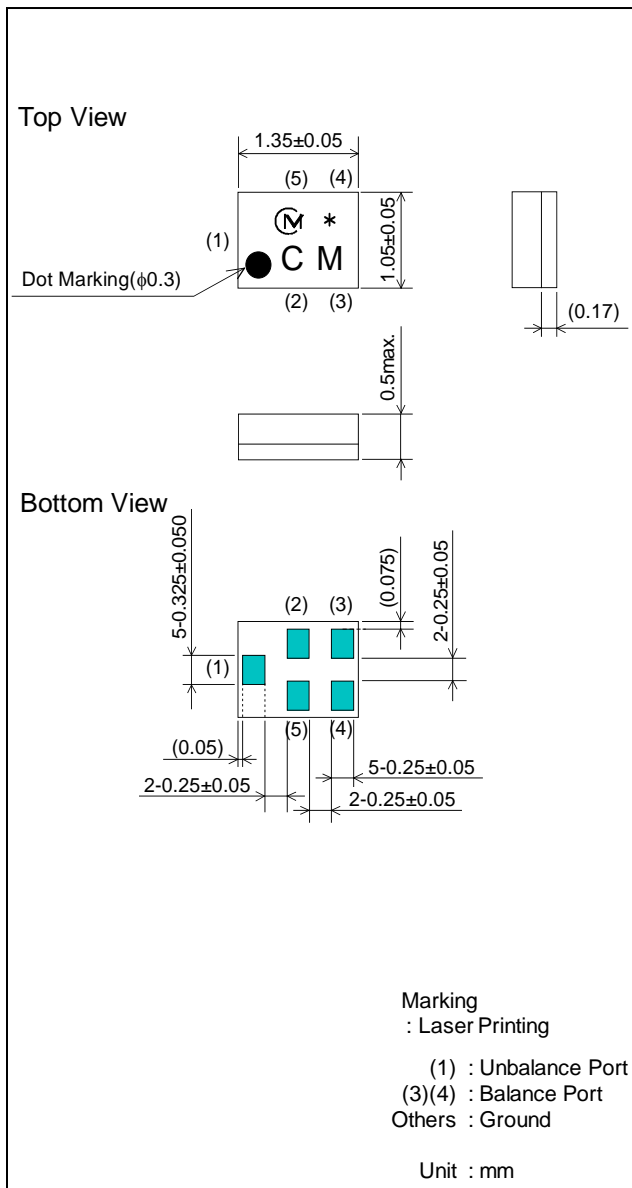


SAW FILTER FOR Band38 Rx

Murata part number : SAFEA2G59FL0F00

Package Dimensions

Specification

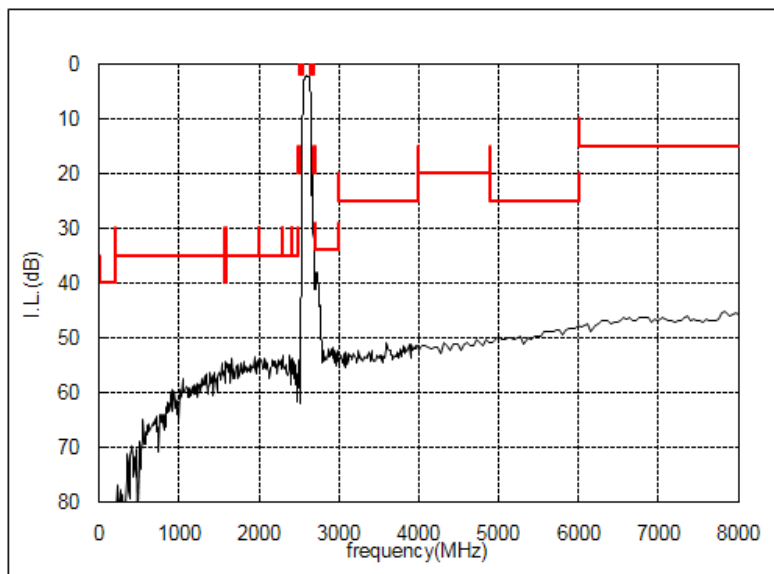
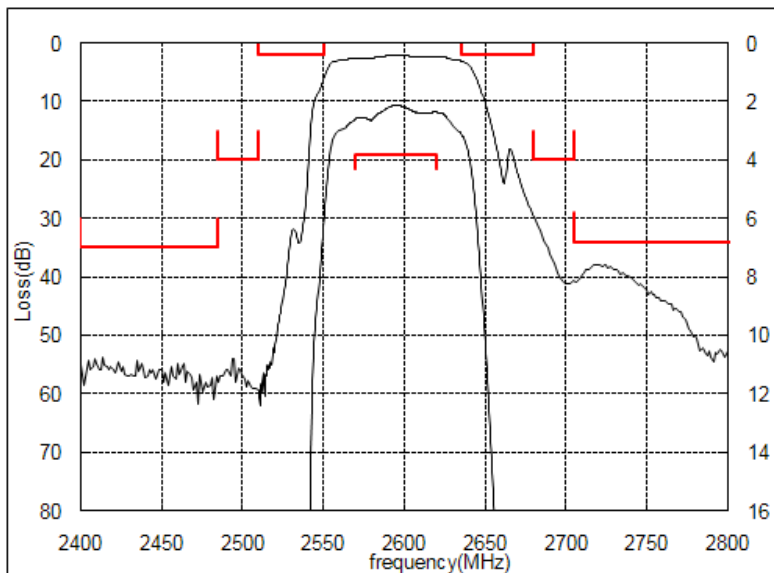


Item	Specification		
	-30 to 85°C	25±2°C	typ.
Nominal Center Frequency(fc)	2595MHz		
Insertion Loss (2570 to 2620 MHz)	3.8 dB max.	3.1 dB max.	2.68 dB
Absolute Attenuation			
1) 0.1 to 200 MHz	40 dB min.	40 dB min.	79.4 dB
2) 200 to 1570 MHz	35 dB min.	35 dB min.	55.9 dB
3) 1570 to 1580 MHz	40 dB min.	40 dB min.	55.8 dB
4) 1580 to 2000 MHz	35 dB min.	35 dB min.	54.8 dB
5) 2000 to 2300 MHz	35 dB min.	35 dB min.	54.5 dB
6) 2300 to 2400 MHz	35 dB min.	35 dB min.	55.1 dB
7) 2400 to 2485 MHz	35 dB min.	35 dB min.	55.5 dB
8) 2485 to 2510 MHz	20 dB min.	20 dB min.	55.3 dB
9) 2510 to 2550 MHz	2.0 dB min.	3.0 dB min.	3.1 dB
10) 2635 to 2680 MHz	2.0 dB min.	2.0 dB min.	2.5 dB
11) 2680 to 2705 MHz	20 dB min.	20 dB min.	26.4 dB
12) 2705 to 3000 MHz	34 dB min.	34 dB min.	37.1 dB
13) 3000 to 4000 MHz	25 dB min.	25 dB min.	51.9 dB
14) 4000 to 4900 MHz	20 dB min.	20 dB min.	51.7 dB
15) 4900 to 6000 MHz	25 dB min.	25 dB min.	47.7 dB
16) 6000 to 12500 MHz	15 dB min.	15 dB min.	30.6 dB
Ripple Deviation (2570 to 2620 MHz)	1.8 dB max.	1.1 dB max.	0.62 dB
VSWR (2570 to 2620 MHz)	2.2 max.	2.0 max.	1.43
Amplitude Balance (2570 to 2620 MHz)	±1.5dB max.	±1.5dB max.	+0.34 dB
Phase Balance (2570 to 2620 MHz)	180±10deg. max.	180±10deg. max.	180.0+5.51deg.
Unbalance Port Matching Impedance (nominal)	50Ω		
Balance Port Matching Impedance (nominal)	150Ω/24nH		
Input Signal Level	10mW (+10dBm), 8000 hours		

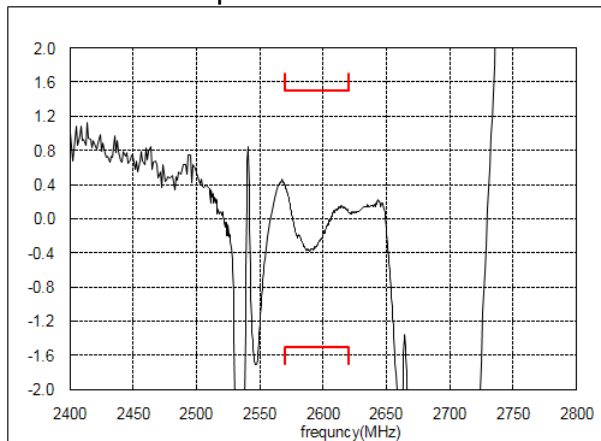
SAW FILTER FOR Band38 Rx

Murata part number : *SAFEA2G59FL0F00*

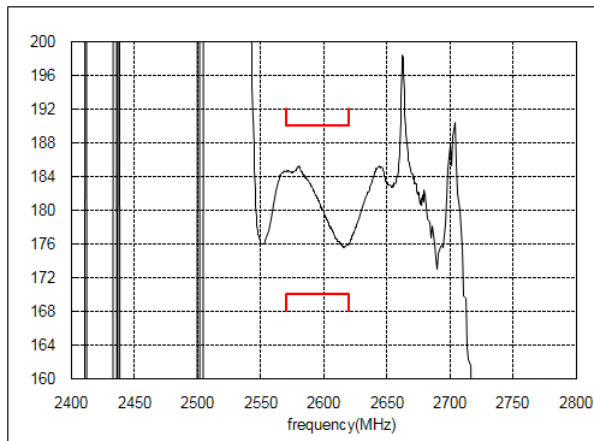
Frequency Performance



Amplitude balance



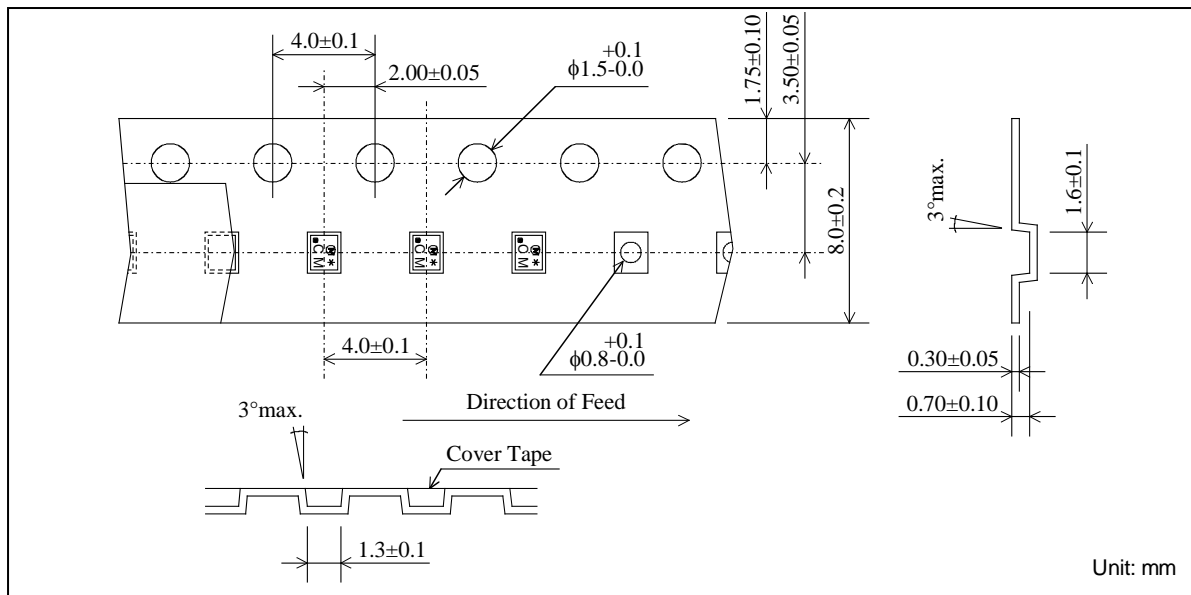
Phase balance



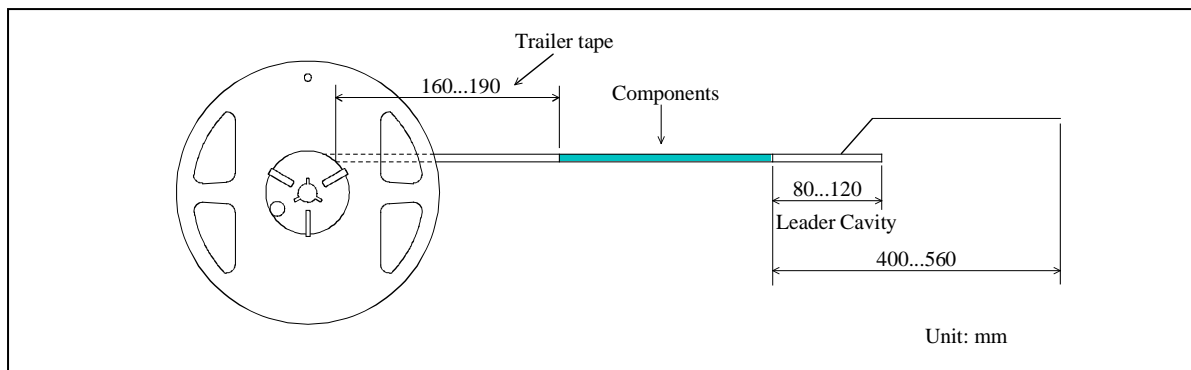
SAW FILTER FOR Band38 Rx

Murata part number : *SAFEA2G59FL0F00*

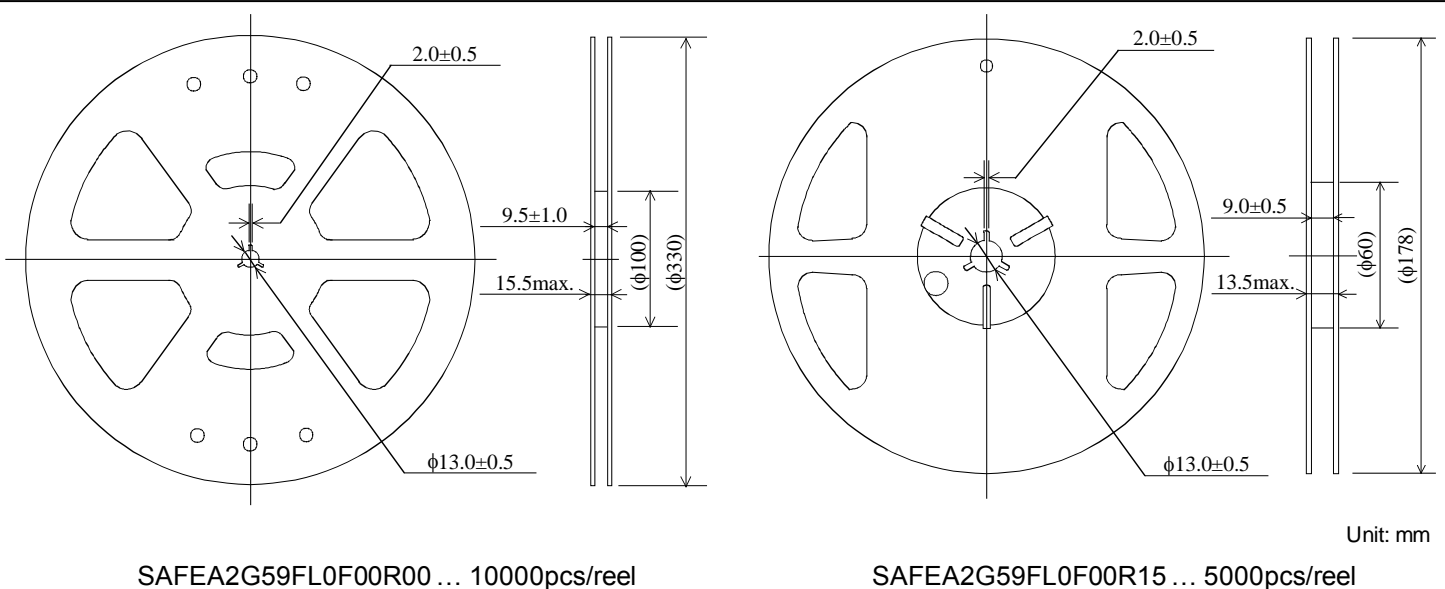
Dimensions of Carrier Tape



Dimensions of Tape



Dimensions of Reel

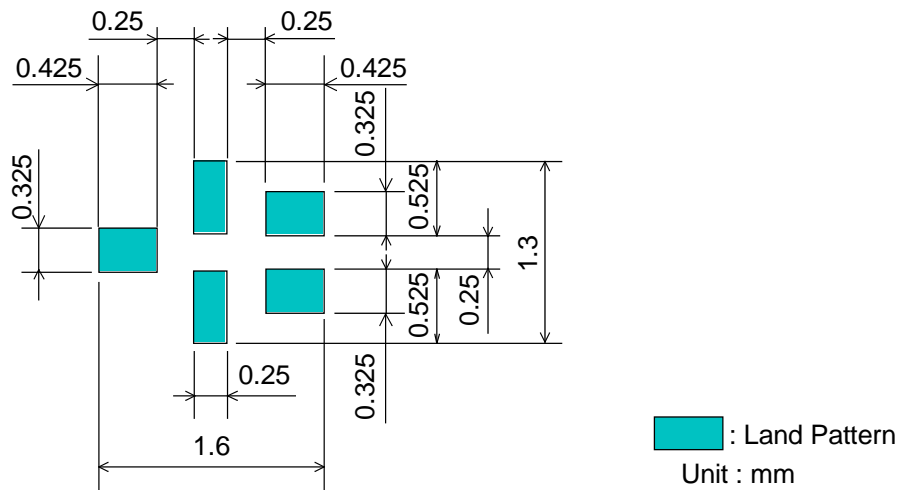


SAW FILTER FOR Band38 Rx

Murata part number : SAFEA2G59FL0F00

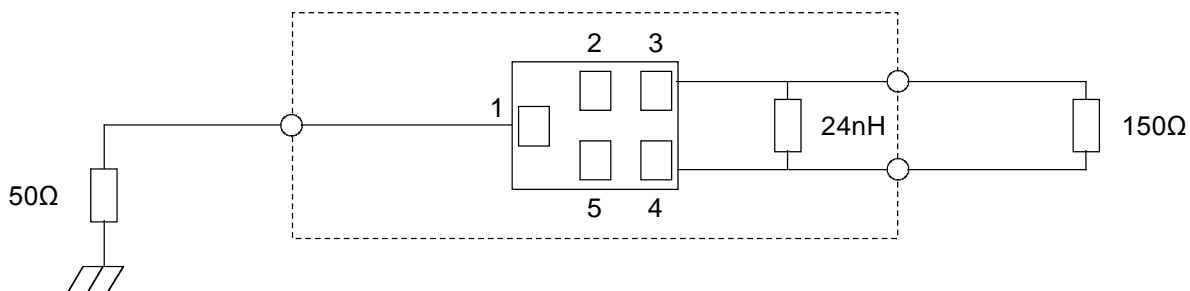
Recommended Land Pattern

Top View



Test Circuit

Bottom View



SAW FILTER FOR Band38 Rx

Murata part number : SAFEA2G59FL0F00

■ RoHS Compliance

This component is compliant with RoHS directive.

This component was always RoHS compliant from the first date of manufacture.

• Caution - Limitation of Applications

This product is intended for the following applications only; however, please do not use this product in these applications where defects might directly cause damage to a third party's life, body or property.

- a. Mobile Telephone
- b. Cordless phone (except for Automotive use)
- c. PC (Including Notebook PC, Netbook PC, Tablet)
- d. Game
- e. Camera (except for Business/security use)
- f. Set Top Box
- g. Electronic dictionary
- h. Digital audio equipment

• This catalog is for reference only and not an official product specification document, therefore, please review and approve our official product specification before ordering this product.

SAW FILTER FOR Band38 Rx

Murata part number : SAFEA2G59FL0F00

■ Important notice

PLEASE READ THIS NOTICE BEFORE USING OUR PRODUCTS.

Please make sure that your product has been evaluated and confirmed from the aspect of the fitness for the specifications of our product when our product is mounted to your product.

All the items and parameters in this product specification/datasheet/catalog have been prescribed on the premise that our product is used for the purpose, under the condition and in the environment specified in this specification. You are requested not to use our product deviating from the condition and the environment specified in this specification.

Please note that the only warranty that we provide regarding the products is its conformance to the specifications provided herein. Accordingly, we shall not be responsible for any defects in products or equipment incorporating such products, which are caused under the conditions other than those specified in this specification.

WE HEREBY DISCLAIMS ALL OTHER WARRANTIES REGARDING THE PRODUCTS, EXPRESS OR IMPLIED, INCLUDING WITHOUT LIMITATION ANY WARRANTY OF FITNESS FOR A PARTICULAR PURPOSE, THAT THEY ARE DEFECT-FREE, OR AGAINST INFRINGEMENT OF INTELLECTUAL PROPERTY RIGHTS.

The product shall not be used in any application listed below which requires especially high reliability for the prevention of such defect as may directly cause damage to the third party's life, body or property. You acknowledge and agree that, if you use our products in such applications, we will not be responsible for any failure to meet such requirements. Furthermore, YOU AGREE TO INDEMNIFY AND DEFEND US AND OUR AFFILIATES AGAINST ALL CLAIMS, DAMAGES, COSTS, AND EXPENSES THAT MAY BE INCURRED, INCLUDING WITHOUT LIMITATION, ATTORNEY FEES AND COSTS, DUE TO THE USE OF OUR PRODUCTS IN SUCH APPLICATIONS.

- Aircraft equipment.
- Aerospace equipment
- Undersea equipment.
- Power plant control equipment - Medical equipment.
- Transportation equipment (vehicles, trains, ships, elevator, etc.).
- Traffic signal equipment.
- Disaster prevention / crime prevention equipment.
- Burning / explosion control equipment
- Application of similar complexity and/ or reliability requirements to the applications listed in the above.

We expressly prohibit you from analyzing, breaking, Reverse-Engineering, remodeling altering, and reproducing our product. Our product cannot be used for the product which is prohibited from being manufactured, used, and sold by the regulations and laws in the world.

We do not warrant or represent that any license, either express or implied, is granted under any our patent right, copyright, mask work right, or our other intellectual property right relating to any combination, machine, or process in which our products or services are used. Information provided by us regarding third-party products or services does not constitute a license from us to use such products or services or a warranty or endorsement thereof. Use of such information may require a license from a third party under the patents or other intellectual property of the third party, or a license from us under our patents or other intellectual property.

Please do not use our products, our technical information and other data provided by us for the purpose of developing of mass-destruction weapons and the purpose of military use.

Moreover, you must comply with "foreign exchange and foreign trade law", the "U.S. export administration regulations", etc.

Please note that we may discontinue the manufacture of our products, due to reasons such as end of supply of materials and/or components from our suppliers.

SAW FILTER FOR Band38 Rx

Murata part number : SAFEA2G59FL0F00

Customer acknowledges that Murata will, if requested by you, conduct a failure analysis for defect or alleged defect of Products only at the level required for consumer grade Products, and thus such analysis may not always be available or be in accordance with your request (for example, in cases where the defect was caused by components in Products supplied to Murata from a third party).

The product shall not be used in any other application/model than that of claimed to Murata.

Customer acknowledges that engineering samples may deviate from specifications and may contain defects due to their development status.

We reject any liability or product warranty for engineering samples.

In particular we disclaim liability for damages caused by

- the use of the engineering sample other than for evaluation purposes, particularly the installation or integration in the product to be sold by you,

- deviation or lapse in function of engineering sample,

- improper use of engineering samples.

We disclaims any liability for consequential and incidental damages.

If you can't agree the above contents, you should inquire our sales.