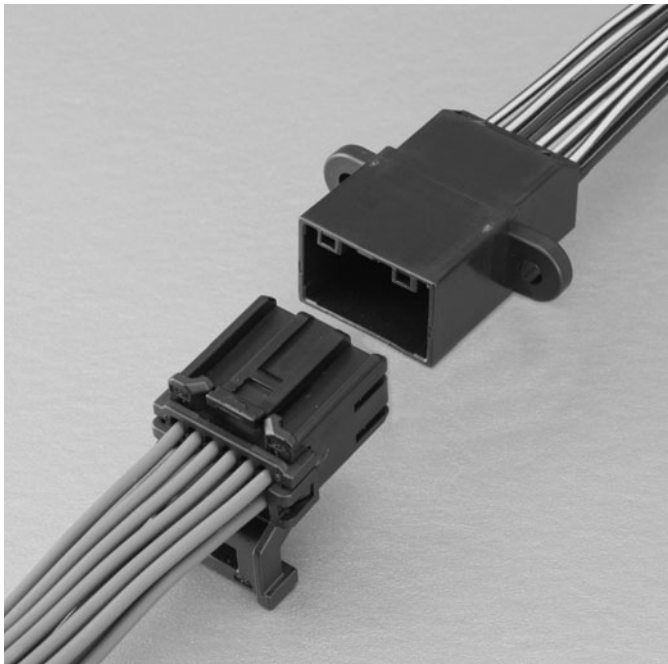


ARV CONNECTOR

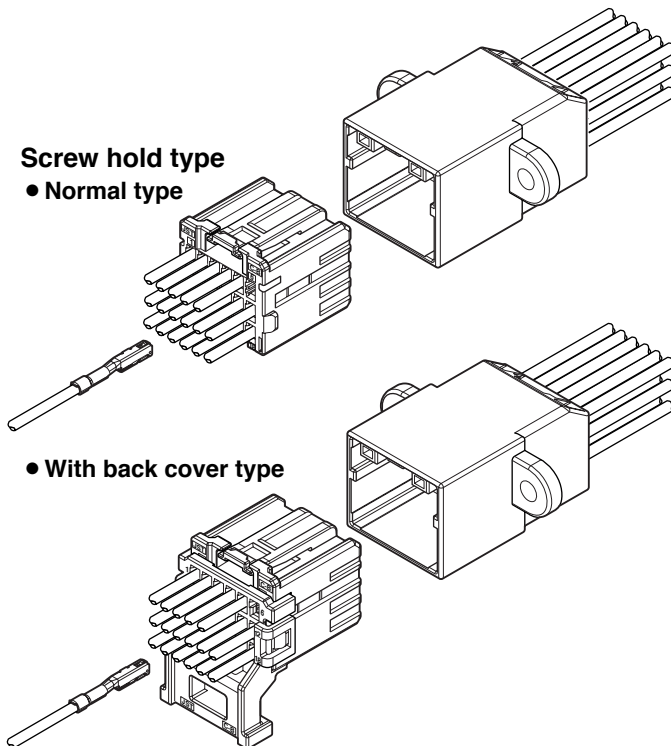
Wire-to-wire



0.64 Unsealed wire-to-wire connection system for unsealed applications, requiring Automotive durability.

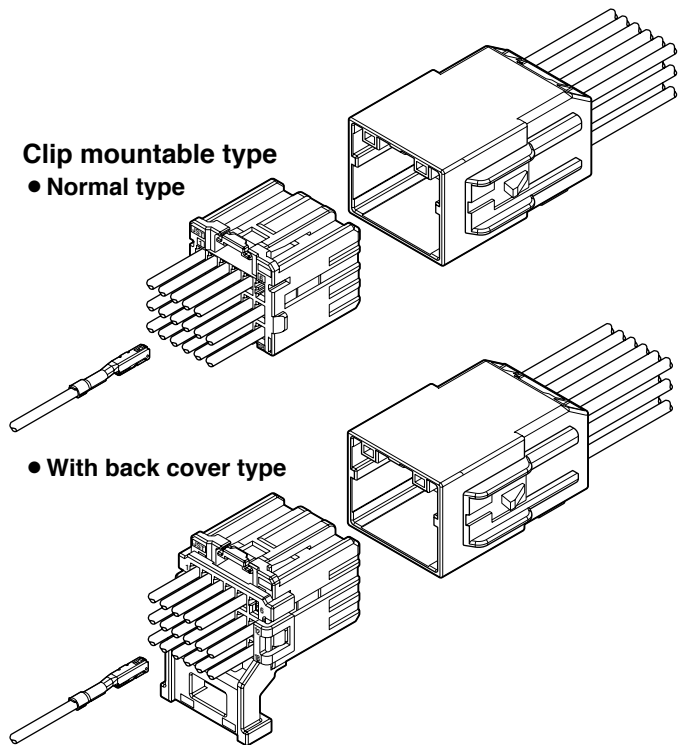
Features

- 12 Circuits, 18 Circuits and 22 Circuits Wire-to-Wire Connection
- Optional Wire Routing Attachment (to optimize packaging space)
- Versatile Mounting Options
- Latch Overstress Feature
- Both Female and Male Connectors utilize Independent Secondary Lock for Terminal retention



Screw hold type
● Normal type

● With back cover type



Clip mountable type
● Normal type

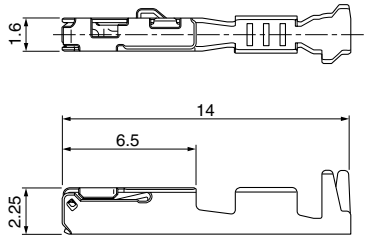
● With back cover type

Specifications

- Current rating: 5A DC max.
- Voltage rating: 14V DC
- Temperature range: -40°C to +125°C
(including temperature rise in applying electrical current)
- Contact resistance: Initial value/15mΩ max.
After environmental testing/15mΩ max.
- Insulation resistance: 100MΩ min.
- Applicable Wire: TXL/ ISO 0.35mm² to 0.75mm²
O.D. ≤ 1.9mm (AWG#22 to #20)
(Female Terminal)
ISO 0.35mm² to 0.5mm²
O.D. ≤ 1.7mm (AWG#22 to #20)
(Male Terminal)

* Compliant with ELV/RoHS.
* Contact JST for details.

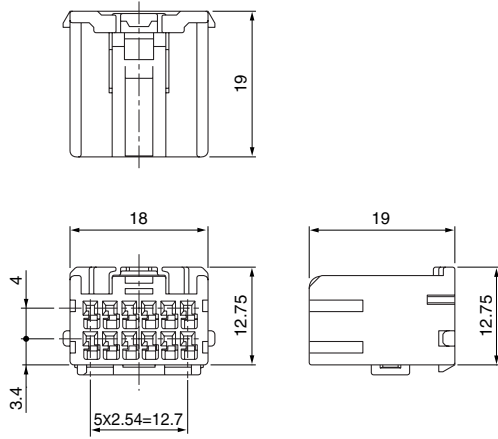
Female terminal



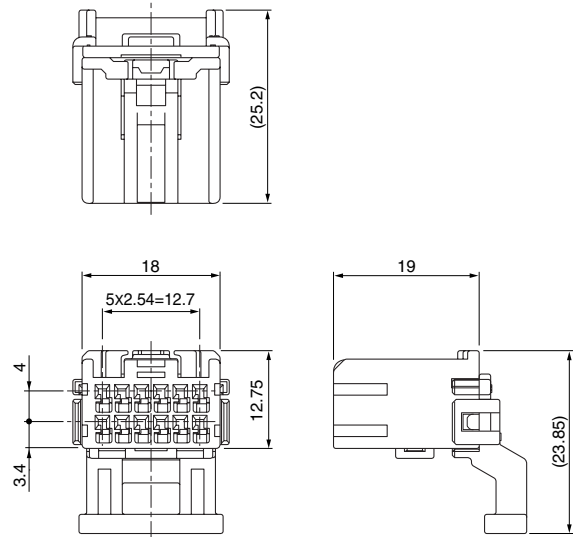
Model No.	Applicable wire range		Q'ty/reel
	Conductor (mm ²)	Insulation O.D. (mm)	
SAIT-A03T-M064	0.35 to 0.5	≤1.9	6,500
SAIT-A02T-M064	0.75	≤1.9	6,500
Material and Finish			
Copper alloy, tin-plated (reflow treatment)			

Female connector

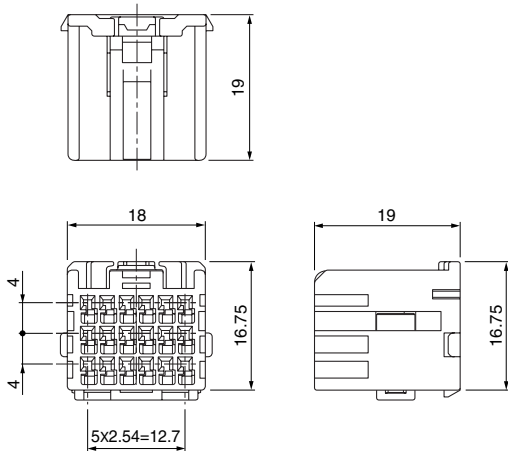
• 12 circuits



• 12 circuits (With back cover)



• 18 circuits



• 18 circuits (With back cover)

