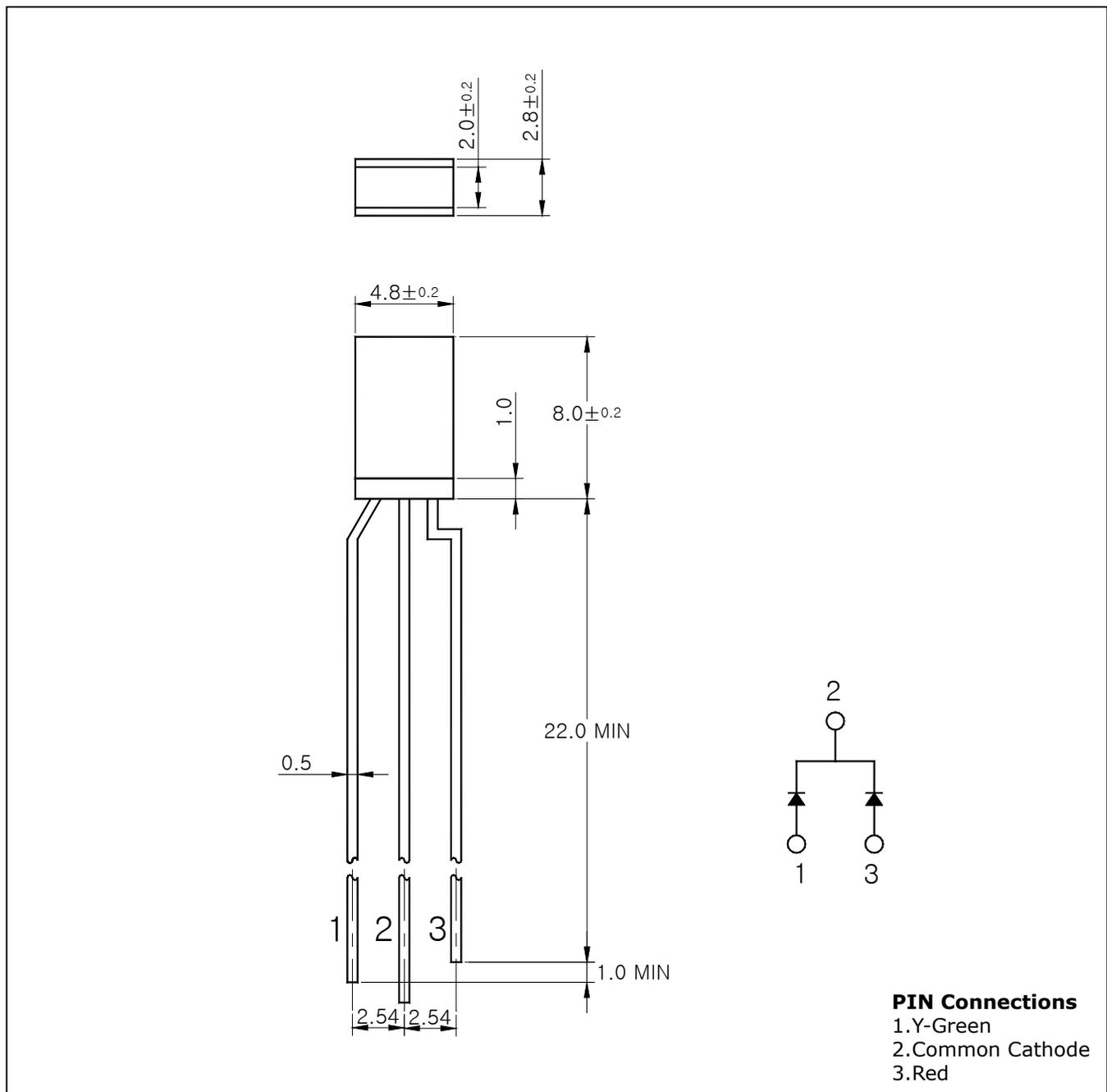


Features

- Milky diffusion lens type
- 4.8mm × 2.0mm rectangle type
- Radiation color (Red, Green)

Outline Dimensions

unit : mm



Absolute maximum ratings

Characteristic	Symbol	Ratings	Unit
Power Dissipation	P_D	85	mW
Forward Current	I_F	30	mA
*1Peak Forward Current	I_{FP}	50	mA
Reverse Voltage	V_R	4	V
Operating Temperature	T_{opr}	-25 ~ 85	°C
Storage Temperature	T_{stg}	-30 ~ 100	°C
*2Soldering Temperature	T_{sol}	260°C for 5 seconds	

*1.Duty ratio = 1/16, Pulse width = 0.1ms

*2.Recommended soldering condition ⇒ Attached

Electrical Characteristics

Characteristic	Symbol	Test Condition	Min.	Typ.	Max.	Unit
Forward Voltage	V_F	$I_F= 20mA$	Red	2.0	2.7	V
			Y-Green	-	2.1	
Luminous Intensity	I_V	$I_F= 20mA$	Red	4	7	mcd
			Y-Green	5	10	
Peak Wavelength	λ_p	$I_F= 20mA$	Red	-	630	nm
			Y-Green	-	570	
Spectrum Bandwidth	$\Delta \lambda$	$I_F= 20mA$	Red	-	35	nm
			Y-Green	-	30	
Reverse Current	I_R	$V_R=4V$	-	-	10	uA

Characteristic Diagrams

Fig. 1 $I_F - V_F$

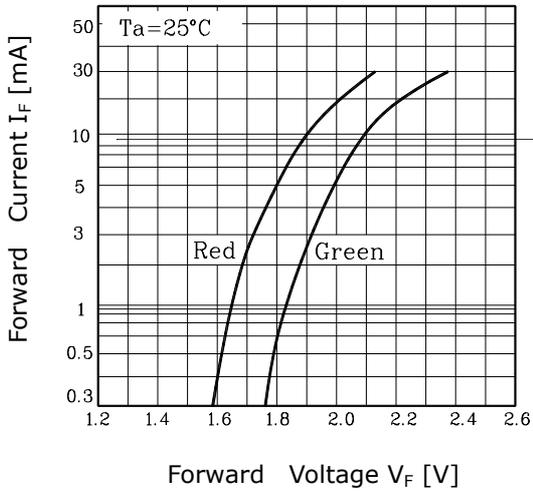


Fig. 2 $I_V - I_F$

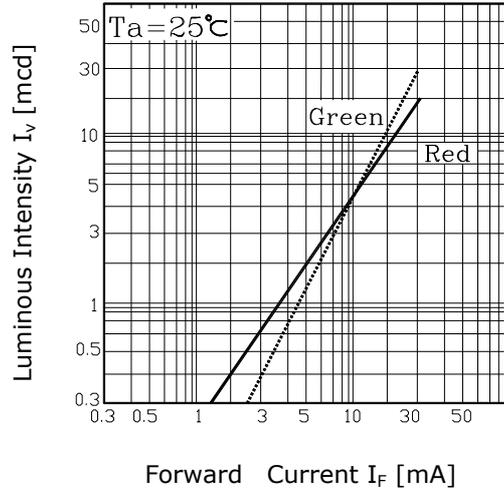


Fig. 3 $I_F - T_a$

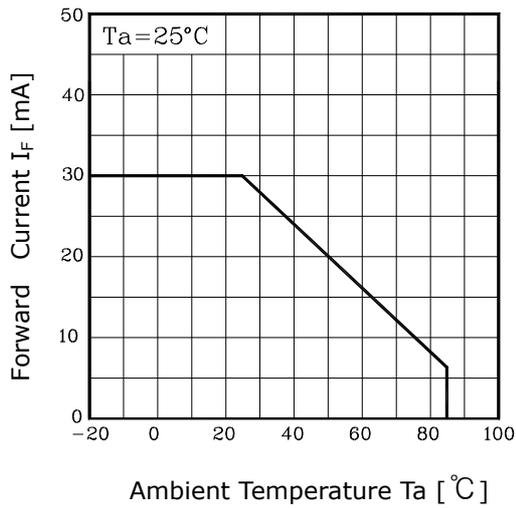


Fig.4 Spectrum Distribution

