

## Introduction

The SAMRH707 is a high-performance microcontroller based on the 32-bit Arm® Cortex®-M7 RISC (5.04 CoreMark/MHz) processor with Floating Point Unit (FPU). The device operates at a maximum speed of 50 MHz and features 128 Kbytes of Flash, 16 Kbytes of dual-cache memory, more than 320 Kbytes of embedded SRAM (128 Kbytes of DTCM memory, 64 Kbytes of ITCM memory, and 128 Kbytes of multiport SRAM), 128 Kbytes of ROM with bootloader firmware pre-installed and external memory interfaces for EEPROM, Flash, and SRAM. All memories include embedded Error Correction Code (ECC) protection.

The SAMRH707 device is high-performance space microcontroller targeting critical missions: on-board computing, sensor management applications, and connectivity applications. It embeds a concurrent AMBA system bus with advanced DMA features to perform several tasks at the same time, without excessive processor workload.

SAMRH707 is ideal for many space applications thanks to its deterministic features (timers), analog controls (PWM), data analysis features, data storage features (embedded SRAM memory and external memories), and various space reception/transmission links to exchange data.

The peripheral set includes two CAN-FDs, up to four FLEXCOMs (USART/UART/SPI/I2C), SpaceWire and Mil Std 1553 links, as well as high-performance SHA, TRNG, CRCCU, ICM, and PCC. It also includes a 12-bit ADC (16 channels) and a DAC (three channels, with two single-ended, and one differential).

SAMRH707 has been designed using the space dedicated process ATMX150RHA as well as the space hardened libraries to deal with on-chip transients and errors.

## Features

- Core Arm Cortex-M7 running at up to 50 MHz
  - 16 Kbytes of ICache and 16 Kbytes of DCache with Error Code Correction (ECC)
  - Single- and Double-Precision HW Floating Point Unit (FPU)
  - Memory Protection Unit (MPU) with 16 zones
  - DSP Instructions, Thumb®-2 Instruction Set
  - Embedded Trace Module (ETM) with instruction trace stream, including Trace Port Interface Unit (TPIU)
- Memories
  - 128 Kbytes embedded Flash with built-in ECC (up to two errors correction)
  - 192 Kbytes embedded SRAM for Tightly Coupled Memory (TCM) interface, running at the same frequency as the Cortex-M7 with built-in ECC (up to one error correction)
  - 128 Kbytes embedded Multiport FlexRAM with built-in ECC (up to one error correction) connected to the AHB system, running at the same frequency as system clock
  - 128 Kbytes ROM with bootloader software pre-installed
  - Hardened External Memory Controller (HEMC) to address 8-bit PROM and SRAM
    - Two independent Chip Selects
    - Up to 2 Mbytes of external memory accessible
    - Built-In ECC, allowing the correction of up to 2 bits per 32 bits

- System Peripherals
  - Built-In Power Fail Detection (PFD), Programmable Supply Monitors and Independent Watchdog for safe operation
  - Non-Maskable Interrupt Controller (NMIC)
  - External main clock (3 MHz to 20 MHz) with failure detection
  - RTC with Gregorian calendar and UTC mode, waveform generation in low-power modes
  - RTC counter calibration circuitry compensates for 32.768 kHz frequency variations
  - 32-bit low-power Real-Time Timer (RTT)
  - 4/8/10/12 MHz internal RC oscillator with 4 MHz default frequency for device start-up. In-Application trimming access for frequency adjustment
  - 32.768 kHz quartz or embedded 32 kHz RC oscillator as source of low-power mode device clock (SCLK)
  - One PLL for system clock, one PLL for peripherals
  - One dual-port 32-channel central DMA Controller (XDMAC)
  - Up to three 3-channel 32-bit Timer Counters (TC) with Capture, Waveform, Compare, and PWM modes. Quadrature decoder logic and 2-bit Gray Up/Down Counter for stepper motor
  - Two 4-channel 16-bit PWMs with complementary outputs, Dead Time Generator and several fault inputs per PWM for motor control, two external triggers to manage Power Factor Correction (PFC), DC-DC, and lighting control
- Communication Peripherals
  - Four FLEXCOMs, each supporting USART/UART, SPI, and TWI/I<sup>2</sup>C
  - CAN Controller compliant with CAN Protocol Version 2.0 Part A, B, and ISO 11898-1:2015 and with Bosch CANFD Specification
  - SpaceWire interface with two SpaceWire ports and an Embedded SpaceWire router. Each link has a 200 Mbits/sec bit-rate capability. Integrated RMAP support. LVDS or TTL output available.
  - One 1553 interface with redundant links compliant to MIL-STD-1553B standard. Bus Controller and Remote Terminal configurations available.
- Analog Peripherals
  - 16 channel Analog-to-Digital Converter with 12-bit resolution
  - 12-bit Digital-to-Analog Converter with three output channels (two single-ended and one differential)
  - Parallel Capture Controller (PCC) interface for external parallel sensors
- Safety
  - Integrity Check Monitoring (ICM) on memories using Secure Hash Algorithm (SHA)
  - CRC checker (CRCCU)
  - FlexProtect Matrix enabling user/privilege operations on peripherals
  - Two independent Watchdogs for safe operation
  - Clock and power failure detection events routed to normal interrupt or to the Non-Maskable Interrupt (NMI) controller:
    - CPU Frequency Monitor
    - Main External Clock Failure Detection
    - 32.768 kHz External Clock Frequency Monitor
    - Core Voltage Supply Monitor with internal Power Fail Detection
  - Write protection registers on selected peripherals
- Security
  - True Random Number Generator (TRNG)

- Secure Hash Algorithm supporting SHA1, SHA224, SHA256, SHA384, and SHA512
- I/O
  - Up to 122 I/O lines with external interrupt capabilities (edge- or level-sensitivity)
  - Up to four parallel Input/Output Controllers (PIO)
  - Cold-Sparing capabilities
- Operating Conditions
  - Supply voltage:
    - 3.0V to 3.6V for VDDIO, ANA\_3V3, and VDDIO\_DAC
    - 1.65V to 1.95V for VDDCORE, VDDPLLA, and VDDPLL B
  - LVDS reference: 1.25V
  - Ambient temperature: -55°C to +125°C
- Fault Tolerance by design:
  - SEU detection through ECC protection (up to 2 corrections)
  - Hardware scrubbing on memories
  - Radiation Performances:
    - No Single Event Latch-up below a LET of 78 MeV.cm<sup>2</sup>/mg @125°C
    - TID immunity successfully tested up to 100 Krad(si) according to ESCC-22900 test method
    - Detailed results about TID, SEL, and SEU available upon request.
- Packages
  - CQFP 164-lead
  - Plastic TFBGA 484-balls

## Table of Contents

Introduction.....	1
Features.....	1
1. Configuration Summary.....	13
2. Block Diagram.....	14
3. Signal Description.....	15
4. Space Quality Grade.....	19
5. Package and Pinout.....	20
5.1. 164-pin CQFP Package.....	20
5.2. 164-pin CQFP Pinout.....	20
5.3. 484-ball TFBGA Package.....	21
5.4. 484-ball TFBGA Pinout.....	21
5.5. Signal Multiplexing.....	23
6. Power Supply and Power Control.....	28
6.1. Power Supply Inputs.....	28
6.2. Power-up and Power-down Sequencing.....	28
6.3. Active Mode.....	28
7. Input/Output Lines.....	29
7.1. General-Purpose I/O (GPIO) Lines.....	29
7.2. System I/O Lines.....	29
7.3. NRST Pin.....	29
8. Architecture Interconnect.....	30
8.1. Core, Bus Matrices, and Memories Interconnect.....	30
8.2. Memory Protection with FlexProtect.....	30
8.3. FlexProtect Configuration.....	31
9. Product Mapping.....	33
10. Memories.....	34
10.1. External Memories.....	34
10.2. Embedded Memories.....	34
11. Event System.....	38
11.1. Real-time Management.....	38
12. Peripherals.....	39
12.1. Peripheral Identifiers.....	39
12.2. XDMAC Peripheral Connections.....	41
12.3. FLEXCOM Features.....	41
13. ARM Cortex-M7 (ARM).....	43
13.1. ARM Cortex-M7 Configuration.....	43

14. TCM Hardened Error Correction Code (TCMHECC).....	44
14.1. Description.....	44
14.2. Embedded Characteristics.....	44
14.3. Block Diagram.....	44
14.4. Functional Description.....	44
14.5. Hamming Code.....	45
14.6. TCMHECC Testing.....	47
14.7. Register Summary.....	48
15. FlexRAM Memory and Embedded Hardened ECC (FLEXRAMECC) Controller.....	61
15.1. Description.....	61
15.2. Embedded Characteristics.....	61
15.3. Block Diagram.....	61
15.4. Functional Description.....	61
15.5. Hamming Code.....	62
15.6. FLEXRAMECC Testing.....	63
15.7. Register Summary.....	64
16. Debug and Test Features.....	74
16.1. Description.....	74
16.2. Associated Documents.....	74
16.3. Debug and Test Block Diagram.....	74
16.4. Debug and Test Pin Description.....	75
16.5. Application Examples.....	75
16.6. Functional Description.....	76
17. Bus Matrix (MATRIX).....	81
17.1. Description.....	81
17.2. Embedded Characteristics.....	82
17.3. Memory Mapping.....	83
17.4. Special Bus Granting Techniques.....	83
17.5. No Default Master.....	83
17.6. Last Access Master.....	83
17.7. Fixed Default Master.....	84
17.8. Arbitration.....	84
17.9. Register Write Protection.....	86
17.10. Privilege Protection of AHB and APB.....	87
17.11. Register Summary.....	97
18. Chip Identifier (CHIPID).....	188
18.1. Description.....	188
18.2. Embedded Characteristics.....	188
18.3. Register Summary.....	189
19. ROM Bootloader.....	193
19.1. Overview.....	193
19.2. Embedded Characteristics.....	193
19.3. Referenced Documents.....	193
19.4. Hardware and Software Constraints.....	193
19.5. Flow Diagram.....	195

19.6.	Boot Phase.....	197
19.7.	Maintenance Phase.....	197
19.8.	Run phase.....	198
19.9.	External Commands.....	199
19.10.	Reports Definition.....	202
19.11.	ASW Definition.....	204
19.12.	Configuration Vector Definition.....	204
19.13.	Debug Log.....	205
19.14.	Address Mapping.....	206
20.	Hardened Embedded Flash Controller (HEFC).....	207
20.1.	Description.....	207
20.2.	Embedded Characteristics.....	207
20.3.	Product Dependencies.....	207
20.4.	Functional Description.....	208
20.5.	Register Summary.....	224
21.	Supply Controller (SUPC).....	247
21.1.	Description.....	247
21.2.	Embedded Characteristics.....	247
21.3.	Block Diagram.....	247
21.4.	Functional Description.....	247
21.5.	Register Summary.....	251
22.	Watchdog Timer (WDT).....	258
22.1.	Description.....	258
22.2.	Embedded Characteristics.....	258
22.3.	Block Diagram.....	258
22.4.	Functional Description.....	258
22.5.	Register Summary.....	261
23.	Reinforced Safety Watchdog Timer (RSWDT).....	266
23.1.	Description.....	266
23.2.	Embedded Characteristics.....	266
23.3.	Block Diagram.....	267
23.4.	Functional Description.....	267
23.5.	Register Summary.....	269
24.	Reset Controller (RSTC).....	274
24.1.	Description.....	274
24.2.	Embedded Characteristics.....	274
24.3.	Block Diagram.....	274
24.4.	Functional Description.....	274
24.5.	Register Summary.....	279
25.	Real-time Clock (RTC).....	283
25.1.	Description.....	283
25.2.	Embedded Characteristics.....	283
25.3.	Block Diagram.....	284
25.4.	Product Dependencies.....	284

25.5. Functional Description.....	284
25.6. Register Summary.....	293
26. Real-time Timer (RTT).....	316
26.1. Description.....	316
26.2. Embedded Characteristics.....	316
26.3. Block Diagram.....	316
26.4. Functional Description.....	316
26.5. Register Summary.....	319
27. Clock Generator.....	325
27.1. Description.....	325
27.2. Embedded Characteristics.....	325
27.3. Block Diagram.....	326
27.4. Slow Clock.....	327
27.5. Main Clock.....	327
27.6. PLLA Clock.....	330
27.7. PLLB Clock.....	330
27.8. Divider and Phase Lock Loop Programming.....	331
28. Power Management Controller (PMC).....	333
28.1. Description.....	333
28.2. Embedded Characteristics.....	333
28.3. Block Diagram.....	334
28.4. Master Clock Controller.....	334
28.5. SysTick External Clock.....	334
28.6. Core and Bus Independent Clocks for Peripherals.....	335
28.7. Peripheral and Generic Clock Controller.....	335
28.8. Free-running Processor Clock.....	335
28.9. Programmable Clock Output Controller.....	335
28.10. External Main Clock Failure Detection.....	336
28.11. 32.768 kHz External Slow Clock Frequency Monitor.....	337
28.12. CPU Frequency Monitor.....	337
28.13. Recommended Programming Sequence.....	338
28.14. Clock Switching Details.....	340
28.15. Register Write Protection.....	342
28.16. Register Summary.....	344
29. Parallel Input/Ouput Controller (PIO).....	388
29.1. Description.....	388
29.2. Embedded Characteristics.....	388
29.3. Block Diagram.....	389
29.4. Product Dependencies.....	390
29.5. Functional Description.....	390
29.6. I/O Lines Programming Example.....	399
29.7. Register Summary.....	401
30. Hardened External Memory Controller (HEMC).....	423
30.1. Description.....	423
30.2. Embedded Characteristics.....	423

30.3. Block Diagram.....	424
30.4. I/O Lines.....	424
30.5. Typical Applications.....	424
30.6. Functional Description.....	425
30.7. Register Summary.....	430
31. Hardened Error Correction Code (HECC) Controller.....	442
31.1. Description.....	442
31.2. Embedded Characteristics.....	442
31.3. Block Diagram.....	442
31.4. Functional Description.....	442
31.5. Hamming Code.....	443
31.6. HECC Testing.....	445
31.7. Register Summary.....	447
32. Hardened Static Memory Controller (HSMC).....	457
32.1. Description.....	457
32.2. Embedded Characteristics.....	457
32.3. I/O Lines Description.....	457
32.4. Product Dependencies.....	457
32.5. Connection to External Devices.....	457
32.6. Read, Write and Read-Modify-Write Single Access.....	457
32.7. Register Write Protection.....	464
32.8. Coding Timing Parameters.....	464
32.9. Usage Restriction.....	465
32.10. Read/Write Accesses Use Cases.....	465
32.11. Automatic Wait States.....	466
32.12. External Wait.....	470
32.13. Register Summary.....	475
33. Special Function Registers (SFR).....	483
33.1. Description.....	483
33.2. Embedded Characteristics.....	483
33.3. Register Summary.....	484
34. DMA Controller (XDMAC).....	490
34.1. Description.....	490
34.2. Embedded Characteristics.....	490
34.3. Block Diagram.....	491
34.4. Functional Description.....	491
34.5. Linked List Descriptor Operation.....	495
34.6. XDMAC Maintenance Software Operations.....	498
34.7. XDMAC Software Requirements.....	499
34.8. Register Summary.....	500
35. 1553 Interface (1553).....	571
35.1. Description.....	571
35.2. Embedded Characteristics.....	571
35.3. Block Diagram.....	571
35.4. Pin List.....	572



35.5. IP1553 Dependencies.....	572
35.6. Functional Description.....	572
35.7. Register Summary.....	583
36. SpaceWire (SpW).....	610
36.1. Description.....	610
36.2. Embedded Characteristics.....	610
36.3. Reference Documents.....	610
36.4. Block Diagram.....	611
36.5. Product Dependencies.....	611
36.6. SpaceWire Protocol.....	613
36.7. Functional Description.....	613
36.8. Register Summary.....	630
37. Flexible Serial Communication Controller (FLEXCOM).....	740
37.1. Description.....	740
37.2. Embedded Characteristics.....	741
37.3. Block Diagram.....	743
37.4. I/O Lines Description.....	743
37.5. Product Dependencies.....	743
37.6. Register Accesses.....	744
37.7. USART Functional Description.....	744
37.8. SPI Functional Description.....	770
37.9. TWI Functional Description.....	788
37.10. Register Summary.....	834
38. Controller Area Network (MCAN).....	942
38.1. Description.....	942
38.2. Embedded Characteristics.....	942
38.3. Block Diagram.....	943
38.4. Product Dependencies.....	943
38.5. Functional Description.....	944
38.6. Register Summary.....	971
39. Timer Counter (TC).....	1032
39.1. Description.....	1032
39.2. Embedded Characteristics.....	1032
39.3. Block Diagram.....	1033
39.4. Pin List.....	1034
39.5. Product Dependencies.....	1034
39.6. Functional Description.....	1034
39.7. Register Summary.....	1056
40. Pulse Width Modulation Controller (PWM).....	1087
40.1. Description.....	1087
40.2. Embedded Characteristics.....	1087
40.3. Block Diagram.....	1089
40.4. I/O Lines Description.....	1089
40.5. Product Dependencies.....	1090
40.6. Functional Description.....	1091

40.7. Register Summary.....	1132
41. Integrity Check Monitor (ICM).....	1196
41.1. Description.....	1196
41.2. Embedded Characteristics.....	1197
41.3. Block Diagram.....	1197
41.4. Product Dependencies.....	1198
41.5. Functional Description.....	1198
41.6. Register Summary.....	1212
42. True Random Number Generator (TRNG).....	1233
42.1. Description.....	1233
42.2. Embedded Characteristics.....	1233
42.3. Block Diagram.....	1233
42.4. Product Dependencies.....	1233
42.5. Functional Description.....	1233
42.6. Register Summary.....	1235
43. Secure Hash Algorithm (SHA).....	1242
43.1. Description.....	1242
43.2. Embedded Characteristics.....	1242
43.3. Product Dependencies.....	1242
43.4. Functional Description.....	1242
43.5. Register Summary.....	1251
44. Non-Maskable Interrupt Controller (NMIC).....	1267
44.1. Description.....	1267
44.2. Embedded Characteristics.....	1267
44.3. Block Diagram.....	1267
44.4. I/O Line Description.....	1267
44.5. Product Dependencies.....	1267
44.6. Functional Description.....	1268
44.7. Register Summary.....	1271
45. Analog-to-Digital Controller (ADC).....	1284
45.1. Description.....	1284
45.2. Embedded Characteristics.....	1284
45.3. Block Diagram.....	1285
45.4. Signal Description.....	1285
45.5. Product Dependencies.....	1286
45.6. Functional Description.....	1286
45.7. Register Summary.....	1299
46. Digital-to-Analog Converter Controller (DACC).....	1327
46.1. Description.....	1327
46.2. Embedded Characteristics.....	1327
46.3. Block Diagram.....	1327
46.4. Signal Description.....	1328
46.5. Product Dependencies.....	1328
46.6. Functional Description.....	1328

46.7. Register Summary.....	1331
47. Cyclic Redundancy Check Calculation Unit (CRCCU).....	1348
47.1. Description.....	1348
47.2. Embedded Characteristics.....	1348
47.3. CRCCU Block Diagram.....	1348
47.4. Product Dependencies.....	1349
47.5. CRCCU Functional Description.....	1349
47.6. Register Summary.....	1354
48. Parallel Capture Controller (PCC).....	1371
48.1. Description.....	1371
48.2. Embedded Characteristics.....	1371
48.3. Block Diagram.....	1371
48.4. Product Dependencies.....	1372
48.5. Functional Description.....	1372
48.6. Register Write Protection.....	1376
48.7. Register Summary.....	1377
49. Schematic Checklist.....	1387
49.1. PC29 and PC30 Boot Mode Pins.....	1387
50. Electricals Characteristics.....	1388
50.1. Absolute Maximum Ratings.....	1388
50.2. DC Characteristics.....	1388
50.3. VDDCore Supply Monitor.....	1390
50.4. Power Consumption.....	1390
50.5. Oscillator Characteristics.....	1394
50.6. PLLA Characteristics.....	1395
50.7. PLLB Characteristics.....	1395
50.8. Embedded Flash Characteristics.....	1395
50.9. Analog To Digital Converter (ADC) Characteristics.....	1395
50.10. Digital To Analog Converter (DAC) Characteristics.....	1397
50.11. AC Characteristics.....	1399
51. Mechanical Characteristics.....	1408
51.1. 164-pin CQFP Package.....	1409
51.2. 484-ball TFBGA Package.....	1411
52. Package Marking Information.....	1413
53. Ordering Information.....	1414
53.1. Product Identification System.....	1414
53.2. Valid Combinations.....	1414
54. Revision History.....	1415
54.1. Revision E - December 2023.....	1415
54.2. Revision D - March 2023.....	1415
54.3. Revision C - July 2022.....	1415
54.4. Revision B - August 2021.....	1416
54.5. Revision A - June 2020.....	1416

Microchip Information.....	1417
The Microchip Website.....	1417
Product Change Notification Service.....	1417
Customer Support.....	1417
Microchip Devices Code Protection Feature.....	1417
Legal Notice.....	1417
Trademarks.....	1418
Quality Management System.....	1419
Worldwide Sales and Service.....	1420

# 1. Configuration Summary

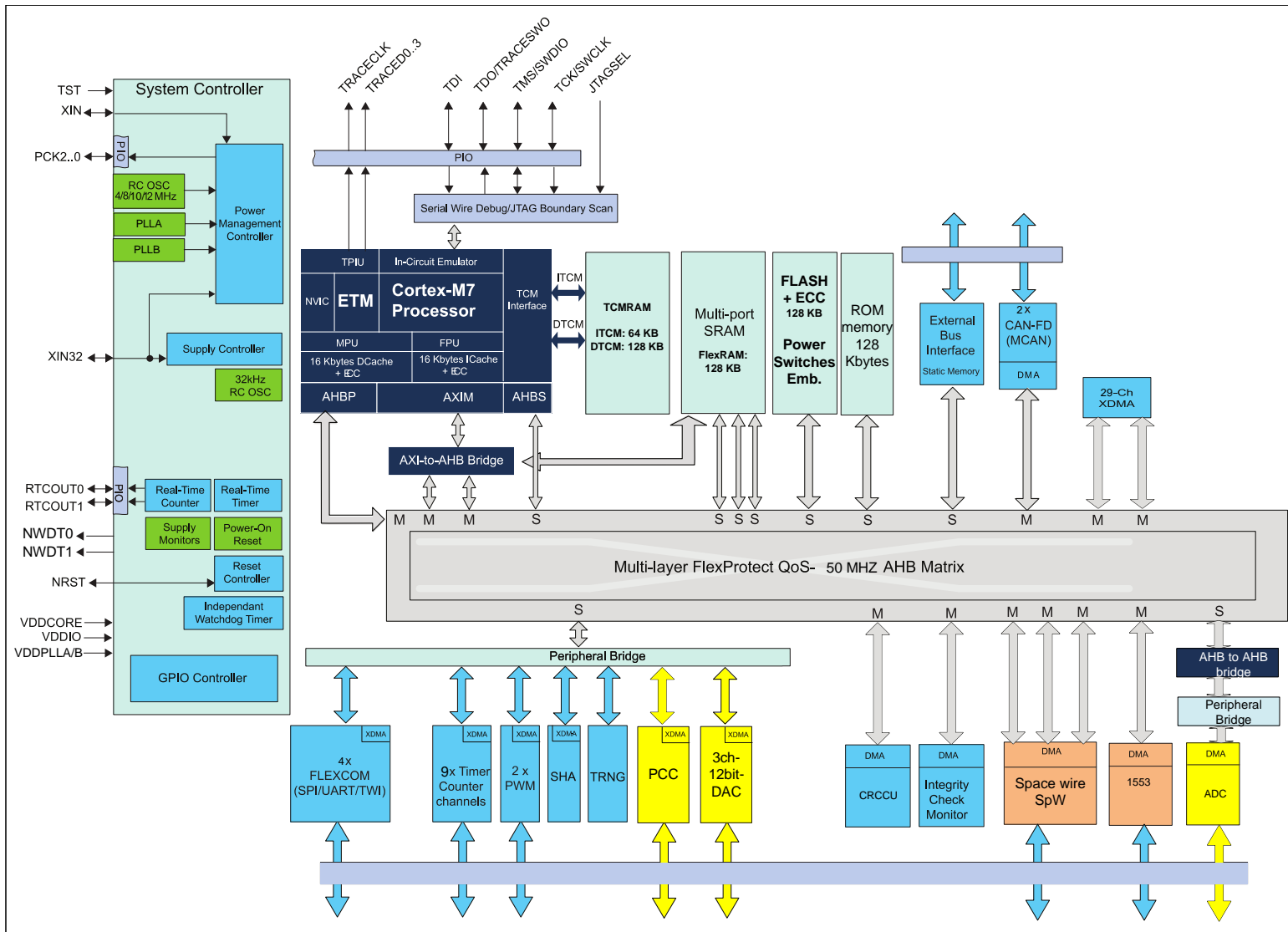
The following table shows the configuration summary of the SAMRH707 device.

**Table 1-1.** Configuration Summary

Feature	SAMRH707
Flash	128 Kbytes
Flash Page Size	256 bytes
Flash Pages	512
Flash Lock Region Size	256 bytes
Flash Lock Bits	32
TCM RAM	192 Kbytes
FlexRAM	128 Kbytes
Cache(I/D)	16 Kbytes/16 Kbytes
Packages	CQFP164/TFBGA484
Number of PIOs	122
Hardened External Memory Controller (HEMC)	8-bit data Up to two chip selects
Central DMA Channels	32
32-bit Timer Counter Channels	9 (Three blocks of three channels each)
Timer Counter Channels I/O	3 x 3
16-bit Pulse Width Modulator Channels with Complementary Outputs	2 x 4
Serial Communication Interface (FLEXCOM) Instances	4
CAN with Flexible Data-Rate	2
Embedded Trace Macrocell (ETM)	Yes
IP1553	BC/RT
SpaceWire	Two links
Analog-to-Digital Converter	16 input channels
Digital-to-Analog Converter	Three output channels

## 2. Block Diagram

Figure 2-1. SAMRH707 Block Diagram



### 3. Signal Description

The following table shows the signal descriptions of the SAMRH707 device.

**Table 3-1.** Signal Description List

Signal Name	Function	Type	Active Level	Voltage Reference	Comments
<b>Clocks, Oscillators, and PLLs</b>					
XIN	Main Oscillator Input	Input	-	VDDCORE & VDDIO	-
XIN32	Slow Clock Oscillator Input	Input	-	VDDPLLA/B & VDDIO	-
PCK0 – PCK2	Programmable Clock Output	Output	-	VDDIO	-
<b>Real Time Clock</b>					
RTCOUT0	Programmable RTC Waveform Output 0	Output	-	VDDIO	-
RTCOUT1	Programmable RTC Waveform Output 1	Output	-		
<b>Watchdog</b>					
NWDT0	Watchdog Output 0	Output	Low	VDDIO	-
NWDT1	Watchdog Output 1	Output	Low		-
<b>POR</b>					
POR Signal	POR Signal	Output	High	VDDIO	TFBGA package only
<b>NMI</b>					
NMIC_NMI	Non Maskable Interrupt Input	Input	Low	VDDIO	-
<b>Serial Wire/JTAG Debug Port–SWJ-DP</b>					
TCK_SWCLK	Test Clock (boundary scan mode only) / Serial Wire Clock	Input	-	VDDIO	-
TMS_SWDIO	Test Mode Select (boundary scan mode only) / Serial Wire Input/Output	Input / I/O	-		-
TDO_TRACESWO	Test Data Out (boundary scan mode only)/Trace Asynchronous Data Out	Output	-		-
TDI	Test Data In (boundary scan mode only)	Input	-	VDDIO	-
<b>Trace Debug Port–SWJ-DP</b>					
TRACECLK	Trace Clock	Output	-	VDDIO	-
TRACED0–3	Trace Data	Output	-		-
<b>Reset/Test</b>					
NRST	Synchronous Microcontroller Reset	Input	Low	VDDIO	-
TST	Test Select	Input	-		-
JTAGSEL	JTAG Selection	Input	High		-
<b>PIO Controller</b>					
PA0–PA31	Parallel I/O Controller A	I/O	-	VDDIO	-
PB0–PB31	Parallel I/O Controller B	I/O	-		-
PC0–PC31	Parallel I/O Controller C	I/O	-		-
PD0–PD31	Parallel I/O Controller D	I/O	-		-
<b>Configuration</b>					

.....continued

Signal Name	Function	Type	Active Level	Voltage Reference	Comments
BOOT_MODE0 - BOOT_MODE1	Device Bootstrap Configuration	Input	-	VDDIO	<b>BOOT_MODE[1:0]:</b> <ul style="list-style-type: none"> <li>0b00: internal Flash memory (HEFC)</li> <li>0b01: external PROM memory (HEMC)</li> <li>0b1X: internal ROM with/without maintenance mode</li> </ul>
CFG2	HECC/Bootloader Configuration	Input	-		<b>HEMC:</b> HECC activation on NCS0 memories: <ul style="list-style-type: none"> <li>0b0: HECC Off</li> <li>0b1: HECC On</li> </ul> <b>ROM bootloader:</b> communication channel selection <ul style="list-style-type: none"> <li>0b0: UART mode</li> <li>0b1: SpaceWire mode</li> </ul>
CFG3	Bootloader Operating Mode Selection	Input	-		<ul style="list-style-type: none"> <li>0b0: Run mode</li> <li>0b1: Maintenance mode</li> </ul>
<b>Hardened External Memory Controller–HEMC</b>					
D0–D7	Data Bus	I/O	-	VDDIO	-
A0–A20	Address Bus	Output	-		-
NWAIT	External Wait Signal	Input	Low		-
NCS0–NCS1	Common Chip Select Lines	Output	Low		-
<b>Hardened Static Memory Controller–HSMC</b>					
NRD	Read Signal	Output	Low	VDDIO	-
NWE	Write Enable	Output	Low		-
<b>Flexcom–FLEXCOMx (x=[0:3])</b>					
FLEXCOMx_IO0	FLEXCOMx Transmit Data	I/O	-	VDDIO	-
FLEXCOMx_IO1	FLEXCOMx Receive Data	I/O	-		
FLEXCOMx_IO2	FLEXCOMx Serial Clock	I/O	-		
FLEXCOMx_IO3	FLEXCOMx Clear To Send / Peripheral Chip select	I/O	-		
FLEXCOMx_IO4	FLEXCOMx Request To Send / Peripheral Chip Select	Output	-		
FLEXCOMx_IO5	FLEXCOMx Peripheral Chip Select	Output	-		
FLEXCOMx_IO6	FLEXCOMx Peripheral Chip Select	Output	-		
<b>Timer/Counter–TCx (x=[0:8])</b>					
TCLK0..8	TC Channel x External Clock Input	Input	-	VDDIO	-
TIOA0..8	TC Channel x I/O Line A	I/O	-		
TIOB0..8	TC Channel x I/O Line B	I/O	-		
<b>Pulse Width Modulation Controller–PWMx (x=[0:1])</b>					



.....continued					
Signal Name	Function	Type	Active Level	Voltage Reference	Comments
PWMCx_PWMH0–PWMCx_PWMH3	Waveform Output High	Output	-	VDDIO	-
PWMCx_PWML0–PWMCx_PWML3	Waveform Output Low	Output	-		Only output in complementary mode when dead time insertion is enabled.
PWMCx_PWMFIO–PWMCx_PWMFI2	Fault Input	Input	-		-
PWMCx_PWMEXTRG0–PWMCx_PWMEXTRG1	External Trigger Input	Input	-		-
<b>Controller Area Network–MCANx (x=[0:1])</b>					
CANRXx	CAN Receive	Input	-	VDDIO	-
CANTXx	CAN Transmit	Output	-		-
<b>IP1553 Interface</b>					
ATXOUTP	1553 link A–transmitter (positive)	Output	-	VDDIO	-
ATXOUTN	1553 link A–transmitter (negative)	Output	-		-
ARXINP	1553 link A–receiver (positive)	Input	-		-
ARXINN	1553 link A–receiver (negative)	Input	-		-
BTXOUTP	1553 link B–transmitter (positive)	Output	-		-
BTXOUTN	1553 link B–transmitter (negative)	Output	-		-
BRXINP	1553 link B–receiver (positive)	Input	-		-
BRXINN	1553 link B–receiver (negative)	Input	-		-
<b>SpaceWire Interface–SPWx (x=[0:1])</b>					
SPWDINPx	SpaceWire data input (LVDS Positive or TTL)	Input	-	-	Differential signal based on level referenced SPWREFx=1.25V x=[0:1]
SPWDINNx	SpaceWire data input (LVDS Negative)	Input	-	-	
SPWSINPx	SpaceWire strobe input (LVDS Positive or TTL)	Input	-	-	
SPWSINNx	SpaceWire strobe input (LVDS Negative)	Input	-	-	
SPWDOUTPx	SpaceWire data output (LVDS Positive or TTL)	Output	-	-	
SPWDOUTNx	SpaceWire data output (LVDS Negative)	Output	-	-	
SPWSOUTPx	SpaceWire strobe output (LVDS Positive or TTL)	Output	-	-	
SPWSOUTNx	SpaceWire strobe output (LVDS Negative)	Output	-	-	
SPWREFx	SpaceWire reference voltage	Power	-	-	
<b>Analog to Digital Converter Controller (ADCC)</b>					
AD0 - AD15	ADC Input Channels	Input	-	ANA_3V3 and VDDIO_ADC	-
ADTRG	ADC trigger	Input	-		-
<b>Digital to Analog Converter Controller (DACC)</b>					

.....continued

Signal Name	Function	Type	Active Level	Voltage Reference	Comments
DAC0	DAC channel 0	Output	-	ANA_3V3 and VDDIO_DAC	-
DAC1N	DAC differential negative channel	Output	-		-
DAC1P	DAC differential positive channel	Output	-		-
DAC2	DAC channel 2	Output	-		-
DATRIG	DAC Trigger	Input	-		-
<b>ADCC and DACC References</b>					
AD_DAC_GNDREF	Common ADC DAC Ground Reference	Input	-	-	CQFP164 package only
AD_DAC_VREFIN	Common ADC DAC Voltage Positive Reference	Input	-	ANA_3V3	CQFP164 package only
ADC_GNDREF	ADC Ground Reference	Input	-	-	TFBGA484 package only
ADC_VREFIN	ADC Voltage Positive Reference	Input	-	ADC_ANA_3V3	TFBGA484 package only
DAC_GNDREF	DAC Ground Reference	Input	-	-	TFBGA484 package only
DAC_VREFIN	DAC Voltage Positive reference	Input	-	DAC_ANA_3V3	TFBGA484 package only
<b>Parallel Capture Controller (PCC)</b>					
PCCCLK	Parallel capture clock	Input	-	VDDIO	
PCCDATA[0:15]	Parallel capture data	Input	-	VDDIO	
PCCDEN1	Parallel capture data Enable1	Input	High	VDDIO	
PCCDEN2	Parallel capture data Enable2	Input	High	VDDIO	

## 4. Space Quality Grade

The hermetic SAMRH707 has been developed and manufactured in compliance with MIL-PRF-38535 and ESCC requirements for aerospace applications. Screening and qualification flows are described in the Aerospace and Defense AEQA0242 specification, which is available for download from the Microchip web site, [www.microchip.com/](http://www.microchip.com/).

**Table 4-1.** Temperature Grade for Space Products

Temperature (°C)
-55°C to 125°C

## 5. Package and Pinout

In the following tables, the column Reset State indicates the reset state using these keywords:

- PIO or signal name

Indicates whether the PIO Line resets in I/O mode or in peripheral mode. If PIO is mentioned, the PIO line is maintained in a static state as soon as the reset is released. As a result, the bit corresponding to the PIO line in the register PIO\_PSR (Peripheral Status Register) resets low.

If a signal name is mentioned in the Reset State column, the PIO line is assigned to this function and the corresponding bit in PIO\_PSR resets high. This is the case of pins controlling memories, in particular the address lines, which require the pin to be driven as soon as the reset is released.

- I/O

Indicates whether the signal is in input or output state.

- PU / PD

Indicates whether pullup, pulldown, or nothing is enabled.

- ST

Indicates if Schmitt Trigger is enabled.

### 5.1 164-pin CQFP Package

For the 164-pin CQFP package drawing, see [51.1. 164-pin CQFP Package](#).

### 5.2 164-pin CQFP Pinout

Table 5-1. 164-pin CQFP Pinout

Pin	Primary	Pin	Primary	Pin	Primary	Pin	Primary
1	GNDCORE	42	GNDCORE	83	GNDCORE	124	GNDCORE
2	VDDCORE	43	VDDCORE	84	VDDCORE	125	VDDCORE
3	PA20	44	PB20	85	PC12	126	PD28
4	PA21	45	PB21	86	PC13	127	PD29
5	PA22	46	PB22	87	PC14	128	PD30
6	PA23	47	PB23	88	PC15	129	PD31
7	PA24	48	PB24	89	PC16	130	VDDIO_DAC
8	PA25	49	PB25	90	PC17	131	GNDIO_DAC
9	PA26	50	PB26	91	PC18	132	AD_DAC_GNDREF
10	PA27	51	PB27	92	PC19	133	AD_DAC_VREFIN
11	PA28	52	PB28	93	PC20	134	ANA_GND
12	PA29	53	PD0	94	PC21	135	ANA_3V3
13	PA30	54	PD1	95	PC22	136	VDDIO_ADC
14	PA31	55	PD2	96	PC23	137	GNDIO_ADC
15	PB0	56	PD3	97	PC24	138	PA0
16	PB1	57	TST	98	PC25	139	PA1
17	PB2	58	JTAGSEL	99	PC26	140	PA2
18	VDDPLLA/B	59	NMIC_NMI	100	PC27	141	PA3
19	GND_PLLA/B	60	NRST	101	PC28	142	PA4
20	XIN	61	VDDIO	102	VDDIO	143	VDDIO
21	PB3	62	GNDIO	103	GNDIO	144	GNDIO
22	PB4	63	PD4	104	PD10	145	PA5
23	PB5	64	PD5	105	PD11	146	PA6
24	PB6	65	PD6	106	PD12	147	PA7
25	VDDIO	66	PD7	107	PD13	148	PA8
26	GNDIO	67	PC0	108	SPWREF0	149	PA9

.....continued

Pin	Primary	Pin	Primary	Pin	Primary	Pin	Primary
27	PB7	68	PC1	109	PD14	150	PA10
28	PB8	69	PC2	110	PD15	151	PA11
29	PB9	70	PC3	111	PD16	152	PA12
30	PB10	71	PC4	112	PD17	153	PA13
31	PB11	72	PC5	113	PD18	154	PA14
32	PB12	73	PC6	114	PD19	155	PA15
33	PB13	74	PC7	115	PD20	156	PA16
34	PB14	75	PC8	116	PD21	157	XIN32
35	PB15	76	PC9	117	SPWREF1	158	PC29
36	PB16	77	PC10	118	PD22	159	PC30
37	PB17	78	PC11	119	PD23	160	PA17
38	PB18	79	PD8	120	PD24	161	PA18
39	PB19	80	PD9	121	PD25	162	PA19
40	VDDCORE	81	VDDCORE	122	VDDCORE	163	VDDCORE
41	GNDCORE	82	GNDCORE	123	GNDCORE	164	GNDCORE

### 5.3 484-ball TFBGA Package

For the 484-ball TFBGA package drawing, see [484 balls TFBGA package](#).

### 5.4 484-ball TFBGA Pinout

Table 5-2. 484-ball TFBGA Pinout

Pin	Primary	Pin	Primary	Pin	Primary	Pin	Primary	Pin	Primary	Pin	Primary	Pin	Primary	Pin	Primary
A1	GNDCORE	A2	GNDCORE	A3	VDDCORE	A4	GNDCORE	A5	VDDCORE	A6	GNDCORE	A7	VDDCORE	A8	GNDIO
A9	VDDIO	A10	GNDIO	A11	VDDIO	A12	GNDIO	A13	VDDIO	A14	GNDIO	A15	VDDIO	A16	VDDCORE
A17	GNDCORE	A18	VDDCORE	A19	GNDCORE	A20	VDDCORE	A21	GNDCORE	A22	GNDCORE	—	—	—	—
B1	GNDCORE	B2	VDDCORE	B3	GNDCORE	B4	PA17	B5	XIN32	B6	PA15	B7	PA13	B8	PA11
B9	PA9	B10	PA7	B11	PA5	B12	GNDIO	B13	PA3	B14	PA1	B15	GNDIO_ADC	B16	DAC_ANA_3V3
B17	DAC_VREFIN	B18	GNDIO_DAC	B19	PD30	B20	GNDCORE	B21	VDDCORE	B22	GNDCORE	—	—	—	—
C1	VDDCORE	C2	PA21	C3	PA20	C4	PA18	C5	PC29	C6	PA16	C7	PA14	C8	PA12
C9	PA10	C10	PA8	C11	PA6	C12	PA4	C13	PA2	C14	PA0	C15	VDDIO_ADC	C16	DAC_ANA_GND
C17	DAC_GNDREF	C18	VDDIO_DAC	C19	PD29	C20	PD23	C21	PD25	C22	VDDCORE	—	—	—	—
D1	GNDCORE	D2	PA23	D3	PA22	D4	PA19	D5	PC30	D6	GNDCORE	D7	GNDCORE	D8	GNDCORE
D9	GNDCORE	D10	GNDCORE	D11	GNDCORE	D12	GNDCORE	D13	ADC_VREFIN	D14	ADC_GNDREF	D15	ADC_ANA_3V3	D16	ADC_ANA_GND
D17	GNDCORE	D18	PD31	D19	PD28	D20	PD22	D21	PD24	D22	GNDCORE	—	—	—	—
E1	VDDCORE	E2	PA25	E3	PA24	E4	GNDCORE	E5	GNDCORE	E6	GNDCORE	E7	GNDCORE	E8	GNDCORE
E9	GNDCORE	E10	GNDCORE	E11	GNDCORE	E12	GNDCORE	E13	GNDCORE	E14	GNDCORE	E15	GNDCORE	E16	GNDCORE
E17	GNDCORE	E18	GNDCORE	E19	GNDCORE	E20	SPWREF1	E21	GNDCORE	E22	VDDCORE	—	—	—	—
F1	GNDCORE	F2	PA27	F3	PA26	F4	GNDCORE	F5	GNDCORE	F6	GNDCORE	F7	GNDCORE	F8	GNDCORE
F9	GNDCORE	F10	GNDCORE	F11	GNDCORE	F12	GNDCORE	F13	GNDCORE	F14	GNDCORE	F15	GNDCORE	F16	GNDCORE
F17	GNDCORE	F18	GNDCORE	F19	GNDCORE	F20	PD21	F21	PD19	F22	GNDCORE	—	—	—	—
G1	VDDCORE	G2	PA29	G3	PA28	G4	GNDCORE	G5	GNDCORE	G6	GNDCORE	G7	GNDCORE	G8	GNDCORE
G9	GNDCORE	G10	GNDCORE	G11	GNDCORE	G12	GNDCORE	G13	GNDCORE	G14	GNDCORE	G15	GNDCORE	G16	GNDCORE
G17	GNDCORE	G18	GNDCORE	G19	GNDCORE	G20	PD20	G21	PD18	G22	VDDCORE	—	—	—	—
H1	VDDIO	H2	PA31	H3	PA30	H4	GNDCORE	H5	GNDCORE	H6	GNDCORE	H7	GNDCORE	H8	GNDCORE
H9	GNDCORE	H10	GNDCORE	H11	GNDCORE	H12	GNDCORE	H13	GNDCORE	H14	GNDCORE	H15	GNDCORE	H16	GNDCORE
H17	GNDCORE	H18	GNDCORE	H19	GNDCORE	H20	PD15	H21	PD17	H22	VDDIO	—	—	—	—
J1	GNDIO	J2	PB1	J3	PB0	J4	GNDCORE	J5	GNDCORE	J6	GNDCORE	J7	GNDCORE	J8	GNDCORE
J9	GNDCORE	J10	GNDCORE	J11	GNDCORE	J12	GNDCORE	J13	GNDCORE	J14	GNDCORE	J15	GNDCORE	J16	GNDCORE

.....continued

Pin	Primary	Pin	Primary	Pin	Primary	Pin	Primary	Pin	Primary	Pin	Primary	Pin	Primary	Pin	Primary
J17	GNDCORE	J18	GNDCORE	J19	GNDCORE	J20	PD14	J21	PD16	J22	GNDIO	—	—	—	—
K1	VDDIO	K2	VDDPLLA/B	K3	PB2	K4	POR	K5	GNDCORE	K6	GNDCORE	K7	GNDCORE	K8	GNDCORE
K9	GNDCORE	K10	GNDCORE	K11	GNDCORE	K12	GNDCORE	K13	GNDCORE	K14	GNDCORE	K15	GNDCORE	K16	GNDCORE
K17	GNDCORE	K18	GNDCORE	K19	PC31	K20	SPWREF0	K21	PD11	K22	VDDIO	—	—	—	—
L1	GNDIO	L2	GND_PLLA/ B	L3	XIN	L4	GNDCORE	L5	GNDCORE	L6	GNDCORE	L7	GNDCORE	L8	GNDCORE
L9	GNDCORE	L10	GNDCORE	L11	GNDCORE	L12	GNDCORE	L13	GNDCORE	L14	GNDCORE	L15	GNDCORE	L16	GNDCORE
L17	GNDCORE	L18	GNDCORE	L19	PD27	L20	PD13	L21	PD10	L22	GNDIO	—	—	—	—
M1	VDDIO	M2	PB4	M3	PB3	M4	GNDCORE	M5	GNDCORE	M6	GNDCORE	M7	GNDCORE	M8	GNDCORE
M9	GNDCORE	M10	GNDCORE	M11	GNDCORE	M12	GNDCORE	M13	GNDCORE	M14	GNDCORE	M15	GNDCORE	M16	GNDCORE
M17	GNDCORE	M18	GNDCORE	M19	PD26	M20	PD12	M21	PC28	M22	VDDIO	—	—	—	—
N1	GNDIO	N2	PB6	N3	PB5	N4	GNDCORE	N5	GNDCORE	N6	GNDCORE	N7	GNDCORE	N8	GNDCORE
N9	GNDCORE	N10	GNDCORE	N11	GNDCORE	N12	GNDCORE	N13	GNDCORE	N14	GNDCORE	N15	GNDCORE	N16	GNDCORE
N17	GNDCORE	N18	GNDCORE	N19	GNDCORE	N20	PC26	N21	PC27	N22	GNDIO	—	—	—	—
P1	VDDIO	P2	GNDIO	P3	GNDIO	P4	GNDCORE	P5	GNDCORE	P6	GNDCORE	P7	GNDCORE	P8	GNDCORE
P9	GNDCORE	P10	GNDCORE	P11	GNDCORE	P12	GNDCORE	P13	GNDCORE	P14	GNDCORE	P15	GNDCORE	P16	GNDCORE
P17	GNDCORE	P18	GNDCORE	P19	GNDCORE	P20	PC24	P21	PC25	P22	VDDIO	—	—	—	—
R1	GNDIO	R2	PB7	R3	PB8	R4	GNDCORE	R5	GNDCORE	R6	GNDCORE	R7	GNDCORE	R8	GNDCORE
R9	GNDCORE	R10	GNDCORE	R11	GNDCORE	R12	GNDCORE	R13	GNDCORE	R14	GNDCORE	R15	GNDCORE	R16	GNDCORE
R17	GNDCORE	R18	GNDCORE	R19	GNDCORE	R20	PC22	R21	PC23	R22	GNDIO	—	—	—	—
T1	VDDCORE	T2	PB9	T3	PB10	T4	PB29	T5	GNDCORE	T6	GNDCORE	T7	GNDCORE	T8	GNDCORE
T9	GNDCORE	T10	GNDCORE	T11	GNDCORE	T12	GNDCORE	T13	GNDCORE	T14	GNDCORE	T15	GNDCORE	T16	GNDCORE
T17	GNDCORE	T18	GNDCORE	T19	GNDCORE	T20	PC20	T21	PC21	T22	VDDCORE	—	—	—	—
U1	GNDCORE	U2	PB11	U3	PB12	U4	PB30	U5	GNDCORE	U6	GNDCORE	U7	GNDCORE	U8	GNDCORE
U9	GNDCORE	U10	GNDCORE	U11	GNDCORE	U12	GNDCORE	U13	GNDCORE	U14	GNDCORE	U15	GNDCORE	U16	GNDCORE
U17	GNDCORE	U18	GNDCORE	U19	GNDCORE	U20	PC18	U21	PC19	U22	GNDCORE	—	—	—	—
V1	VDDCORE	V2	PB13	V3	PB14	V4	PB31	V5	GNDCORE	V6	GNDCORE	V7	GNDCORE	V8	GNDCORE
V9	GNDCORE	V10	GNDCORE	V11	GNDCORE	V12	GNDCORE	V13	GNDCORE	V14	GNDCORE	V15	GNDCORE	V16	GNDCORE
V17	GNDCORE	V18	GNDCORE	V19	GNDCORE	V20	PC16	V21	PC17	V22	VDDCORE	—	—	—	—
W1	GNDCORE	W2	PB15	W3	PB16	W4	PB17	W5	PB22	W6	GNDCORE	W7	GNDCORE	W8	GNDCORE
W9	GNDCORE	W10	GNDCORE	W11	GNDCORE	W12	GNDCORE	W13	GNDCORE	W14	GNDCORE	W15	GNDCORE	W16	GNDCORE
W17	GNDCORE	W18	PC10	W19	PD9	W20	PC14	W21	PC15	W22	GNDCORE	—	—	—	—
Y1	VDDCORE	Y2	PB18	Y3	PB19	Y4	PB20	Y5	PB23	Y6	PB25	Y7	PB27	Y8	PD0
Y9	PD2	Y10	TST	Y11	NMIC_NMI	Y12	PD5	Y13	PD7	Y14	PC1	Y15	PC3	Y16	PC5
Y17	PC7	Y18	PC9	Y19	PD8	Y20	PC12	Y21	PC13	Y22	VDDCORE	—	—	—	—
AA1	GNDCORE	AA2	VDDCORE	AA3	GNDCORE	AA4	PB21	AA5	PB24	AA6	PB26	AA7	PB28	AA8	PD1
AA9	PD3	AA10	JTAGSEL	AA11	NRST	AA12	PD4	AA13	PD6	AA14	PC0	AA15	PC2	AA16	PC4
AA17	PC6	AA18	PC8	AA19	PC11	AA20	GNDCORE	AA21	VDDCORE	AA22	GNDCORE	—	—	—	—
AB1	GNDCORE	AB2	GNDCORE	AB3	VDDCORE	AB4	GNDCORE	AB5	VDDCORE	AB6	GNDCORE	AB7	VDDCORE	AB8	GNDIO
AB9	VDDIO	AB10	GNDIO	AB11	VDDIO	AB12	GNDIO	AB13	VDDIO	AB14	GNDIO	AB15	VDDIO	AB16	VDDCORE
AB17	GNDCORE	AB18	VDDCORE	AB19	GNDCORE	AB20	VDDCORE	AB21	GNDCORE	AB22	GNDCORE	—	—	—	—

## 5.5 Signal Multiplexing

Table 5-3. Pin Description

TFBGA 484 balls	CQFP 164 Pins	Primary		Alternate		PIO peripheral				Reset State
		Signal	Dir	Signal	Dir	Function	Signal	Dir	ioSet	Signal, Dir, PU, PD, HiZ, ST, SEC, FILTER
C3	3	PA20	I/O	—	—	A	FLEXCOM0_IO6	I/O	1	PIO, I, PU, ST
						C	TCLK1	I	1	
						D	PCCCLK	I	1	
						E	TRACECLK	O	1	
C2	4	PA21	I/O	—	—	A	FLEXCOM0_IO0	I/O	1,2	PIO, I, PU, ST
D3	5	PA22	I/O	—	—	A	FLEXCOM0_IO1	I/O	1,2	PIO, I, PU, ST
D2	6	PA23	I/O	—	—	A	FLEXCOM0_IO6	I/O	2	PIO, I, PU, ST
E3	7	PA24	I/O	—	—	A	FLEXCOM0_IO5	I/O	2	PIO, I, PU, ST
E2	8	PA25	I/O	CFG2	I	A	FLEXCOM0_IO4	I/O	1,2	PIO, I
						C	TCLK2	I	1	
						D	PCCDEN2	I	1	
						E	TDO_TRACESWO	O	1	
F3	9	PA26	I/O	—	—	A	FLEXCOM0_IO2	I/O	1	PIO, I, PU, ST
						C	TIOB2	I/O	1,2	
						E	TDI	I	1	
F2	10	PA27	I/O	—	—	A	FLEXCOM0_IO5	I/O	1	PIO, I, PU, ST
						C	TIOA1	I/O	1	
						D	PCCDEN1	I	1	
						E	TRACED3	O	1	
G3	11	PA28	I/O	—	—	A	FLEXCOM0_IO3	I/O	1	PIO, I, PU, ST
						C	TIOA2	I/O	2	
						E	TRACED2	O	1	
G2	12	PA29	I/O	—	—	B	FLEXCOM1_IO3	I/O	1,2	PIO, I, PU, ST
						C	TIOA0	I/O	1	
						D	PWMC0_PWMFIO	I	1	
						E	TRACED0	O	1	
H3	13	PA30	I/O	—	—	A	PCK1	O	1	PIO, I, PU, ST
						B	FLEXCOM1_IO2	I/O	1,2	
						C	TIOB0	I/O	1	
						D	PWMC0_PWMF1	I	1	
						E	TRACED1	O	1	
H2	14	PA31	I/O	—	—	A	PCK1	O	2	PIO, I, PU, ST
						B	FLEXCOM1_IO6	I/O	2	
J3	15	PB0	I/O	—	—	A	TIOA2	I/O	1	PIO, I, PU, ST
J2	16	PB1	I/O	—	—	B	PWMC0_PWMEXTRG1	I	1	PIO, I, PU, ST
						C	TCLK5	I	1	
K3	17	PB2	I/O	—	—	A	RTCOUT0	O	1,2	PIO, I, PU, ST
M3	21	PB3	I/O	—	—	A	NWDT1	O	2	PIO, I, PU, ST
						B	FLEXCOM1_IO4	I/O	1,2	
M2	22	PB4	I/O	—	—	B	FLEXCOM1_IO0	I/O	1,2	PIO, I, PU, ST
N3	23	PB5	I/O	—	—	B	FLEXCOM1_IO1	I/O	1,2	PIO, I, PU, ST
N2	24	PB6	I/O	—	—	A	NWDT0	O	1,2	NWDT0

.....continued

TFBGA 484 balls	CQFP 164 Pins	Primary		Alternate		PIO peripheral				Reset State
		Signal	Dir	Signal	Dir	Function	Signal	Dir	ioSet	Signal, Dir, PU, PD, HiZ, ST,SEC,FILTER
R2	27	PB7	I/O	—	—	A	CANTX0	O	1,2	PIO, I, PU, ST
						C	TIOA3	I/O	1	
R3	28	PB8	I/O	—	—	A	CANRX0	I	1,2	PIO, I, PU, ST
						C	TIOB3	I/O	1	
T2	29	PB9	I/O	—	—	A	CANRX1	I	2	PIO, I, PU, ST
T3	30	PB10	I/O	—	—	A	CANTX1	O	2	PIO, I, PU, ST
U2	31	PB11	I/O	—	—	A	PWMC0_PWMH0	O	1	PIO, I, PU, ST
						C	TCLK3	I	1	
U3	32	PB12	I/O	—	—	A	PWMC0_PWML0	O	1	PIO, I, PU, ST
						C	TCLK4	I	1	
V2	33	PB13	I/O	—	—	A	PWMC0_PWMH1	O	1	PIO, I, PU, ST
						C	TIOA4	I/O	1	
V3	34	PB14	I/O	—	—	A	PWMC0_PWML1	O	1	PIO, I, PU, ST
						C	TIOB4	I/O	1	
W2	35	PB15	I/O	—	—	A	PWMC0_PWMH2	O	1	PIO, I, PU, ST
						C	TIOB5	I/O	1	
W3	36	PB16	I/O	—	—	A	PWMC0_PWML2	O	1	PIO, I, PU, ST
						B	FLEXCOM3_IO5	I/O	1	
						C	TIOA5	I/O	1	
W4	37	PB17	I/O	—	—	A	PWMC0_PWMH3	O	1	PIO, I, PU, ST
						B	FLEXCOM3_IO2	I/O	1	
						C	TIOB1	I/O	1	
Y2	38	PB18	I/O	—	—	A	PWMC0_PWML3	O	1	PIO, I, PU, ST
						B	FLEXCOM3_IO3	I/O	1	
						C	TCLK0	I	1	
Y3	39	PB19	I/O	—	—	B	FLEXCOM3_IO6	I/O	1,2	PIO, I, PU, ST
						C	TCLK2	I	2	
T4	—	PB29	I/O	—	—	B	FLEXCOM3_IO5	I/O	2	PIO, I, PU, ST
U4	—	PB30	I/O	—	—	B	FLEXCOM3_IO2	I/O	2	PIO, I, PU, ST
V4	—	PB31	I/O	—	—	B	FLEXCOM3_IO3	I/O	2	PIO, I, PU, ST
Y4	44	PB20	I/O	—	—	B	FLEXCOM3_IO4	I/O	1,2	PIO, I, PU, ST
AA4	45	PB21	I/O	—	—	B	FLEXCOM3_IO1	I/O	1,2	PIO, I, PU, ST
W5	46	PB22	I/O	—	—	B	FLEXCOM3_IO0	I/O	1,2	PIO, I, PU, ST
Y5	47	PB23	I/O	—	—	A	TMS_SWDIO	I/O	1	TMS_SWDIO
AA5	48	PB24	I/O	—	—	A	TCK_SWCLK	I	1	TCK_SWCLK
Y6	49	PB25	I/O	—	—	A	ATXOUTP	O	1	PIO, I, PU, ST
AA6	50	PB26	I/O	—	—	A	ATXOUTN	O	1	PIO, I, PU, ST
Y7	51	PB27	I/O	—	—	A	ARXINP	I	1	PIO, I, PU, ST
AA7	52	PB28	I/O	—	—	A	ARXINN	I	1	PIO, I, PU, ST
Y8	53	PD0	I/O	—	—	A	BTXOUTP	O	1	PIO, I, PU, ST
AA8	54	PD1	I/O	—	—	A	BTXOUTN	O	1	PIO, I, PU, ST
Y9	55	PD2	I/O	—	—	A	BRXINP	I	1	PIO, I, PU, ST
AA9	56	PD3	I/O	—	—	A	BRXINN	I	1	PIO, I, PU, ST



.....continued

TFBGA 484 balls	CQFP 164 Pins	Primary		Alternate		PIO peripheral				Reset State
		Signal	Dir	Signal	Dir	Function	Signal	Dir	ioSet	
AA12	63	PD4	I/O	—	—	A	PWMC1_PWMFIO	I	1	PIO, I, PU, ST
						B	NCS1	O	1	
Y12	64	PD5	I/O	—	—	A	PWMC1_PWMEXTRG0	I	1	NCS0
						B	NCS0	O	1	
AA13	65	PD6	I/O	—	—	A	RTCOUT1	O	1	NRD
						B	NRD	O	1	
Y13	66	PD7	I/O	—	—	A	NWDT1	O	1	NWE
						B	NWE	O	1	
AA14	67	PC0	I/O	—	—	A	BTXOUTP	O	2	D0
						B	D0	I/O	1	
Y14	68	PC1	I/O	—	—	A	BTXOUTN	O	2	D1
						B	D1	I/O	1	
AA15	69	PC2	I/O	—	—	A	BRXINP	I	2	D2
						B	D2	I/O	1	
Y15	70	PC3	I/O	—	—	A	BRXINN	I	2	D3
						B	D3	I/O	1	
AA16	71	PC4	I/O	—	—	A	PWMC1_PWMH0	O	1	D4
						B	D4	I/O	1	
Y16	72	PC5	I/O	—	—	A	PWMC1_PWML0	O	1	D5
						B	D5	I/O	1	
AA17	73	PC6	I/O	—	—	A	PWMC1_PWMH1	O	1	D6
						B	D6	I/O	1	
Y17	74	PC7	I/O	—	—	A	PWMC1_PWML1	O	1	D7
						B	D7	I/O	1	
AA18	75	PC8	I/O	—	—	A	PWMC1_PWMH2	O	1	A0
						B	A0	O	1	
						C	TIOA6	I/O	1	
Y18	76	PC9	I/O	—	—	A	PWMC1_PWML2	O	1	A1
						B	A1	O	1	
						C	TIOB6	I/O	1	
W18	77	PC10	I/O	—	—	A	PWMC1_PWMH3	O	1	A2
						B	A2	O	1	
						C	TCLK7	I	1	
AA19	78	PC11	I/O	—	—	A	PWMC1_PWML3	O	1	A3
						B	A3	O	1	
						C	TCLK6	I	1	
Y19	79	PD8	I/O	—	—	A	PCK2	O	1,2	NWAIT, PU, ST
						B	NWAIT	I	1	
						C	FLEXCOM2_IO0	I/O	1,2,3	
W19	80	PD9	I/O	—	—	B	RTCOUT1	O	2	PIO, I, PU, ST
						C	FLEXCOM2_IO1	I/O	1,2,3	
Y20	85	PC12	I/O	—	—	A	CANRX1	I	1	A4
						B	A4	O	1	

.....continued

TFBGA 484 balls	CQFP 164 Pins	Primary		Alternate		PIO peripheral				Reset State
		Signal	Dir	Signal	Dir	Function	Signal	Dir	ioSet	
Y21	86	PC13	I/O	—	—	A	CANTX1	O	1	A5
						B	A5	O	1	
W20	87	PC14	I/O	—	—	B	A6	O	1	A6
						C	TIOA7	I/O	1	
W21	88	PC15	I/O	—	—	B	A7	O	1	A7
						C	TIOB7	I/O	1	
V20	89	PC16	I/O	—	—	A	FLEXCOM2_IO2	I/O	1	A8
						B	A8	O	1	
						C	PWMC1_PWMFI1	I	1	
V21	90	PC17	I/O	—	—	A	FLEXCOM2_IO3	I/O	1	A9
						B	A9	O	1	
U20	91	PC18	I/O	—	—	A	FLEXCOM2_IO4	I/O	1	A10
						B	A10	O	1	
						C	PWMC1_PWMFI2	I	1	
U21	92	PC19	I/O	—	—	A	FLEXCOM2_IO5	I/O	1,2,3	A11
						B	A11	O	1	
						C	PWMC1_PWMEXTRG1	I	1	
T20	93	PC20	I/O	—	—	A	FLEXCOM2_IO6	I/O	1	A12
						B	A12	O	1	
T21	94	PC21	I/O	—	—	B	A13	O	1	A13
R20	95	PC22	I/O	—	—	B	A14	O	1	A14
R21	96	PC23	I/O	—	—	B	A15	O	1	A15
P20	97	PC24	I/O	—	—	B	A16	O	1	A16
P21	98	PC25	I/O	—	—	B	A17	O	1	A17
N20	99	PC26	I/O	—	—	B	A18	O	1	A18
						C	TCLK8	I	1	
N21	100	PC27	I/O	—	—	B	A19	O	1	A19
						C	TIOA8	I/O	1	
M21	101	PC28	I/O	—	—	B	A20	O	1	A20
						C	TIOB8	I/O	1	
M19	—	PD26	I/O	—	—	A	FLEXCOM2_IO2	I/O	3	PIO, I, PU, ST
L19	—	PD27	I/O	—	—	A	FLEXCOM2_IO3	I/O	3	PIO, I, PU, ST
K19	—	PC31	I/O	—	—	A	FLEXCOM2_IO4	I/O	3	PIO, I, PU, ST
L21	104	PD10	I/O	—	—	A	SPWDINP0	I	1	PIO, I, PU, ST
K21	105	PD11	I/O	—	—	A	SPWDINN0	I	1	PIO, I, PU, ST
						B	FLEXCOM2_IO4	I/O	2	
M20	106	PD12	I/O	—	—	A	SPWDOUTP0	O	1	PIO, I, PU, ST
L20	107	PD13	I/O	—	—	A	SPWDOUTN0	O	1	PIO, I, PU, ST
						B	FLEXCOM2_IO2	I/O	2	
J20	109	PD14	I/O	—	—	A	SPWSOUTP0	O	1	PIO, I, PU, ST
H20	110	PD15	I/O	—	—	A	SPWSOUTN0	O	1	PIO, I, PU, ST
						B	FLEXCOM2_IO6	I/O	2	
J21	111	PD16	I/O	—	—	A	SPWSINP0	I	1	PIO, I, PU, ST

.....continued

TFBGA 484 balls	CQFP 164 Pins	Primary		Alternate		PIO peripheral				Reset State
		Signal	Dir	Signal	Dir	Function	Signal	Dir	ioSet	Signal, Dir, PU, PD, HiZ, ST,SEC,FILTER
H21	112	PD17	I/O	—	—	A	SPWSINN0	I	1	PIO, I, PU, ST
						B	FLEXCOM2_IO3	I/O	2	
G21	113	PD18	I/O	—	—	A	SPWDINP1	I	1	PIO, I, PU, ST
F21	114	PD19	I/O	—	—	A	SPWDINN1	I	1	PIO, I, PU, ST
G20	115	PD20	I/O	—	—	A	SPWDOUTP1	O	1	PIO, I, PU, ST
F20	116	PD21	I/O	—	—	A	SPWDOUTN1	O	1	PIO, I, PU, ST
D20	118	PD22	I/O	—	—	A	SPWSOUTP1	O	1	PIO, I, PU, ST
C20	119	PD23	I/O	—	—	A	SPWSOUTN1	O	1	PIO, I, PU, ST
D21	120	PD24	I/O	—	—	A	SPWSINP1	I	1	PIO, I, PU, ST
C21	121	PD25	I/O	—	—	A	SPWSINN1	I	1	PIO, I, PU, ST
D19	126	PD28	I/O	DAC2	O	—	—	—	—	PIO, I, PU, ST
C19	127	PD29	I/O	DAC1P	O	—	—	—	—	PIO, I, PU, ST
B19	128	PD30	I/O	DAC1N	O	—	—	—	—	PIO, I, PU, ST
D18	129	PD31	I/O	DAC0	O	—	—	—	—	PIO, I, PU, ST
C14	138	PA0	I/O	AD0	I	D	PCCDATA0	I	1	PIO, I, PU, ST
B14	139	PA1	I/O	AD1	I	D	PCCDATA1	I	1	PIO, I, PU, ST
C13	140	PA2	I/O	AD2	I	D	PCCDATA2	I	1	PIO, I, PU, ST
B13	141	PA3	I/O	AD3	I	D	PCCDATA3	I	1	PIO, I, PU, ST
C12	142	PA4	I/O	AD4	I	D	PCCDATA4	I	1	PIO, I, PU, ST
B11	145	PA5	I/O	AD5	I	D	PCCDATA5	I	1	PIO, I, PU, ST
C11	146	PA6	I/O	AD6	I	D	PCCDATA6	I	1	PIO, I, PU, ST
B10	147	PA7	I/O	AD7	I	D	PCCDATA7	I	1	PIO, I, PU, ST
C10	148	PA8	I/O	AD8	I	D	PCCDATA8	I	1	PIO, I, PU, ST
B9	149	PA9	I/O	AD9	I	D	PCCDATA9	I	1	PIO, I, PU, ST
C9	150	PA10	I/O	AD10	I	D	PCCDATA10	I	1	PIO, I, PU, ST
B8	151	PA11	I/O	AD11	I	D	PCCDATA11	I	1	PIO, I, PU, ST
C8	152	PA12	I/O	AD12	I	D	PCCDATA12	I	1	PIO, I, PU, ST
B7	153	PA13	I/O	AD13	I	D	PCCDATA13	I	1	PIO, I, PU, ST
C7	154	PA14	I/O	AD14	I	B	FLEXCOM1_IO6	I/O	1	PIO, I, PU, ST
						D	PCCDATA14	I	1	
B6	155	PA15	I/O	AD15	I	B	FLEXCOM1_IO5	I/O	1	PIO, I, PU, ST
						D	PCCDATA15	I	1	
C6	156	PA16	I/O	—	—	B	FLEXCOM1_IO5	I/O	2	PIO, I, PU, ST
						C	PWMC0_PWMFI2	I	1	
C5	158	PC29	I/O	BOOT_M ODE1	I	A	DATRG	I	1	PIO, I
D5	159	PC30	I/O	BOOT_M ODE0	I	A	ADTRG	I	1	PIO, I
B4	160	PA17	I/O	—	—	A	FLEXCOM0_IO2	I/O	2	PIO, I, PU, ST
C4	161	PA18	I/O	—	—	A	FLEXCOM0_IO3	I/O	2	PIO, I, PU, ST
D4	162	PA19	I/O	CFG3	—	A	PCK0	O	1	PIO, I, PU, ST
						B	PWMC0_PWMEXTRG0	I	1	

## 6. Power Supply and Power Control

### 6.1 Power Supply Inputs

The following table lists the power supply pins available on SAMRH707 devices.

**Table 6-1.** Power Supply Inputs

Name	Voltage Range, Nominal	Associated Ground	Cells Powered
VDDCORE	1.65V–1.95V, 1.8V	GNDCORE	Core Logic, embedded memories (RAM and Flash), embedded power switches, peripherals, RC oscillators (32K RC and mainRC), and POR
VDDPLLA/B	1.65V–1.95V, 1.8V	GND_PLLA/B	PLLA/B Cell
VDDIO	3.00V–3.60V, 3.30V	GNDIO	Peripheral I/O lines, embedded memories (Flash)

**Table 6-2.** Additional Power Supply

Name	Nominal (V)	Voltage Range (V)	Associated Ground	Power Supplied Cells	Associated Package
ADC_ANA_3V3	3.30	3.00 – 3.60	ADC_ANA_GND	ADC analog cells	TFBGA484
DAC_ANA_3V3	3.30	3.00 – 3.60	DAC_ANA_GND	DAC Analog cells	TFBGA484
ANA_3V3	3.30	3.00 - 3.60	ANA_GND	ADC and DAC analog cells	CQFP164
VDDIO_ADC	3.30	3.00 – 3.60	GNDIO_ADC	ADC digital cells	TFBGA484 and CQFP164
VDDIO_DAC	3.30	3.00 – 3.60	GNDIO_DAC	DAC digital cells	TFBGA484 and CQFP164

### 6.2 Power-up and Power-down Sequencing

#### 6.2.1 Power-up

There are no particular critical requirements in the establishment of the device power supplies still Microchip recommends the following order:

1. VDDCORE (and VDDPLLA/B)
2. ANA\_3V3 (and ADC\_ANA\_3V3 if it is relevant)
3. VDDIO

#### 6.2.2 Power-down

There are no critical supply power-off requirements in the removal of power to the device still Microchip recommends the following order:

1. VDDIO
2. ANA\_3V3 (and ADC\_ANA\_3V3 if it is relevant)
3. VDDCORE (and VDDPLLA/B)

**Note:** ANA\_3V3 (and ADC\_ANA\_3V3 if it is relevant) ) must be powered on even if the ADC/DAC are not used.

### 6.3 Active Mode

Active mode is the nominal mode with the core clock running from the fast RC oscillator, the main clock or the PLLA/B. The Power Management Controller can be used to adapt the frequency and to disable the peripheral clocks.

## 7. Input/Output Lines

### 7.1 General-Purpose I/O (GPIO) Lines

General-purpose I/O lines are managed by the PIO Controllers. All I/Os have several input or output modes such as pullup or pulldown, input Schmitt triggers, multi-drive (open-drain), or input change interrupt. Programming of these modes is performed independently for each I/O line through the PIO controller user interface.

The typical pullup value is 100 kOhms. The typical pulldown value is 100 kOhms.

### 7.2 System I/O Lines

#### 7.2.1 Serial Wire Debug Port (SW-DP) Pins

The SW-DP pins SWCLK and SWDIO are commonly provided on a standard 20-pin JTAG connector defined by Arm. For more details about voltage reference and reset state, refer to [Signal Description](#).

At start-up, the debug pins are configured in JTAG mode to allow connection with a debugging probe.

Debug pins can be used as standard I/Os to provide users more general input/output pins when the debug port is not needed by the end application. Mode selection between JTAG mode (System I/O mode) and general I/O mode is performed through the PIO Controller.

The JTAGSEL pin is used to select the JTAG boundary scan when asserted high. It integrates a permanent pull-down resistor of about 100 kOhms, so it can be left unconnected for normal operations.

#### 7.2.2 Embedded Trace Module (ETM) Pins

The Embedded Trace Module (ETM) relies on the Trace Port Interface Unit (TPIU) to export data out of the system.

The TPUI features the following pins:

- TRACECLK is the trace clock.
- TRACED0–TRACED3 is the trace instruction stream (synchronous to TRACECLK).

### 7.3 NRST Pin

The NRST pin is only an input, with a permanent pullup resistor of 100 kOhms.

## 8. Architecture Interconnect

The system architecture is based on the Arm Cortex-M7 processor connected to the main AHB Bus Matrix, the embedded Flash and the multiport SRAM.

### 8.1 Core, Bus Matrices, and Memories Interconnect

The AHBP interface is a single 32-bit wide interface enabling access to the peripherals connected to the main bus matrix. It is used for data access only. Instruction fetches are never performed on the interface. The bus, AHBP, or AXIM, accessing the peripheral memory area [0x40000000 to 0x5FFFFFFF] is selected in the AHBP Control register.

The memory blocks used for ITCM and DTCMs are fully accessible for all the DMAs through the AHBS interface.

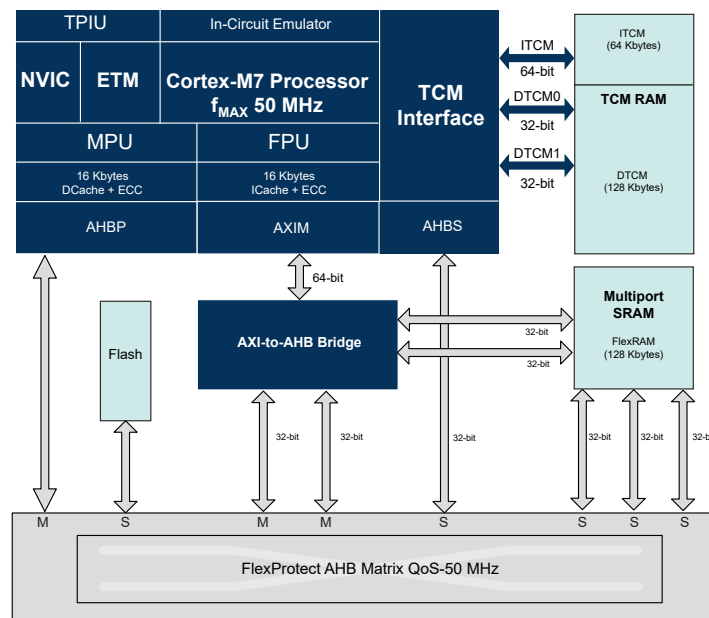
The AXIM interface is a single 64-bit wide interface that connects to the system through the AXI bridge and the AHB bus matrix and allows:

- Instruction fetches
- Data cache linefills and evictions
- Non-cacheable normal-type memory data accesses
- Device type data accesses, usually connected to peripherals

The interconnect of the other masters and slaves is described in the Bus Matrix section.

The following figure shows the connections of the different Cortex-M7 ports.

**Figure 8-1.** General Interconnect Block Diagram



### 8.2 Memory Protection with FlexProtect

FlexProtect is a protection unit on the AHB matrix that manages the access rights for privilege and user accesses. It prevents any access to the memory or the peripheral areas that might result in a configuration change or a data corruption/modification by a DMA.

This feature, in conjunction with the Cortex-M7 MPU, provides full protection of each slave for any master access.

## 8.3 FlexProtect Configuration

**Table 8-1.** PSEL1: Matrix\_ppsel1 Register

Bit	IP	AHB/APB	Mode	Reset Value
0	REPORT_CHIPID	APB	Programmable	Privilege only
1	SYSC	APB	Programmable	Privilege only
2	TCMECC	APB & AHB	Programmable	Privilege only
3	FlexRAMECC	APB & AHB	Programmable	Privilege only

**Table 8-2.** PSEL2: Matrix\_ppsel2 Register

Bit	IP	AHB/APB	Mode	Reset Value
0	MATRIX0	APB	Programmable	Privilege only
1	HEFC	APB	Programmable	Privilege only
2	PIOA	APB	Programmable	Privilege only
3	PMC	APB	Programmable	Privilege only
4	ADCC	APB	Programmable	Privilege only
5	DACC	APB	Programmable	Privilege only
6	CRCCU	APB	Programmable	Privilege only
7	PCC	APB	Programmable	Privilege only
8	FLEXCOM0	APB	Programmable	Privilege only
9	FLEXCOM1	APB	Programmable	Privilege only
10	FLEXCOM2	APB	Programmable	Privilege only
11	FLEXCOM3	APB	Programmable	Privilege only
12	-	APB	Programmable	Privilege only
13	-	APB	Programmable	Privilege only
14	-	APB	Programmable	Privilege only
15	IP1553	APB	Programmable	Privilege only
16	SPW-TX	APB	Programmable	Privilege only
17	SPW-RX	APB	Programmable	Privilege only
18	SPW-RMAP	APB	Programmable	Privilege only
19	-	APB	Programmable	Privilege only
20	-	APB	Programmable	Privilege only
21	-	APB	Programmable	Privilege only
22	MCAN0	APB	Programmable	Privilege only
23	MCAN1	APB	Programmable	Privilege only
24	-	APB	Programmable	Privilege only
25	-	APB	Programmable	Privilege only
26	PWM0	APB	Programmable	Privilege only
27	PWM1	APB	Programmable	Privilege only
28	TC0	APB	Programmable	Privilege only
29	TC1	APB	Programmable	Privilege only
30	TC2	APB	Programmable	Privilege only
31	-	APB	Programmable	Privilege only

**Table 8-3.** PSEL3: Matrix\_ppsel3 Register

Bit	IP	AHB/APB	Mode	Reset Value
0	HEMC	APB	Programmable	Privilege only
1	HSMC	APB	Programmable	Privilege only

.....continued

Bit	IP	AHB/APB	Mode	Reset Value
2	-	-	-	-
3	ICM	APB & AHB	Programmable	Privilege only
4	TRNG	APB	Programmable	Privilege only
5	SHA	APB	Programmable	Privilege only
6	XDMAC	APB	fixed	User
7	-	-	-	-
8	SFR	APB	Fixed	User
9	-	-	-	-
10	NMIC	APB	Programmable	Privilege only
11 to 31	-	-	-	-

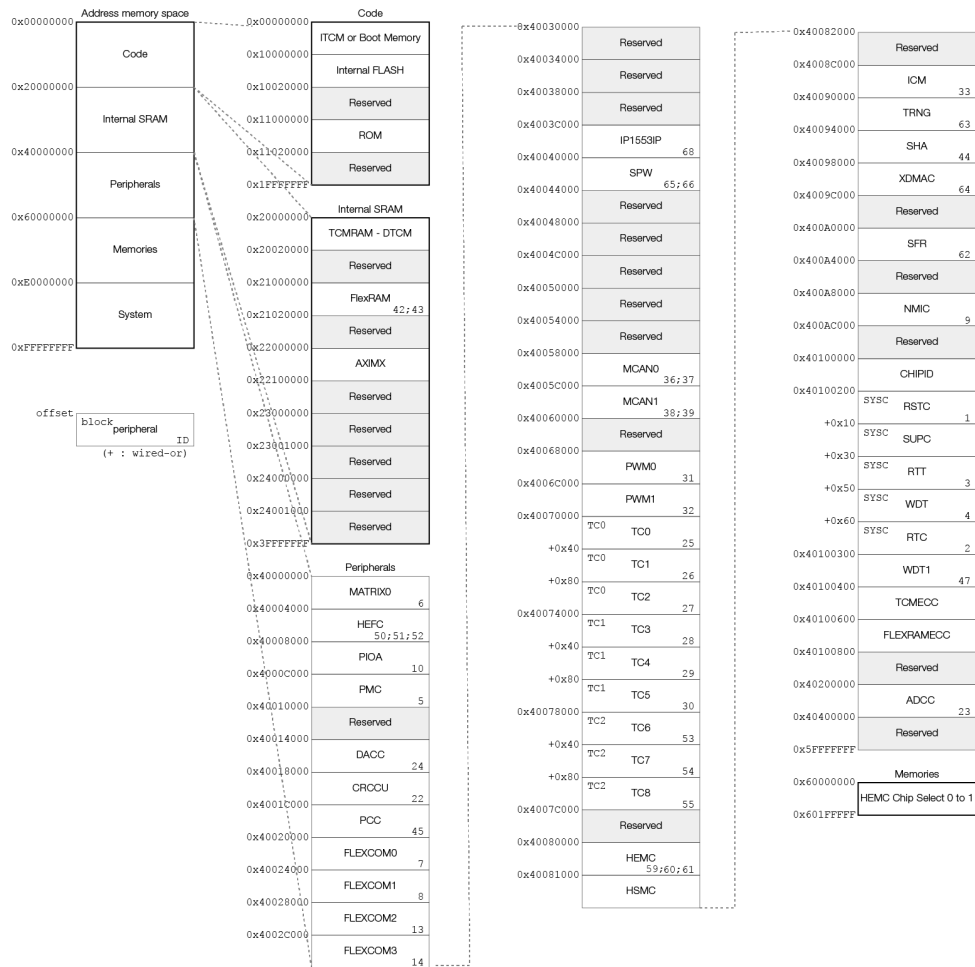
Table 8-4. Slave Protection Types

Slave	IP	#hsel	Mode	Max size
0	FlexRAM	0 => 0x21000000	Internal Protected	128 Kbytes
		1 => 0x21010000		64 Kbytes for each hsel
1	FlexRAM	0 => 0x21000000	Internal Protected	128 Kbytes
		1 => 0x21010000		64 Kbytes for each hsel
7	FlexRAM	0 => 0x21000000	Internal Protected	128 Kbytes
		1 => 0x21010000		64 Kbytes for each hsel
2	HEFC	0x10000000	External Protected (master) Always User (CPU)	128 Kbytes
3	HEMC	0x60000000	Always user	Up to 2 Mbytes
				256 Mbytes for one hsel
4	ROM	0x11000000	Internal Protected	128 Kbytes
5	Peripheral Bridge	0x40000000	Always user	2 Mbytes
6	AHB Slave	0x00000000	Internal Protected	64 Kbytes
		0x20000000	Internal Protected	64 Kbytes
		0x20010000	Internal Protected	64 Kbytes



## 9. Product Mapping

Figure 9-1. SAMRH707 Product Mapping



## 10. Memories

### 10.1 External Memories

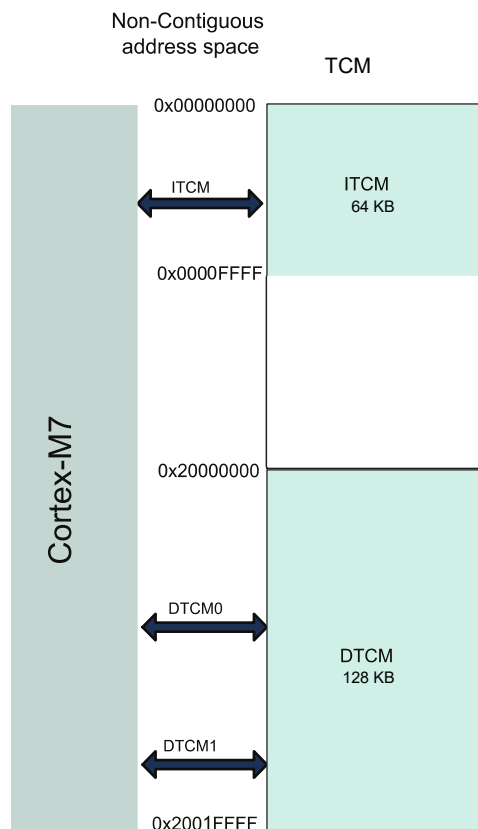
SAMRH707 devices feature a Hardened External Memory Controller (HEMC) to interface with a range of 8-bit external memories or parallel peripherals. Both PROM and SRAM are supported.

### 10.2 Embedded Memories

#### 10.2.1 Tightly Coupled Memory (TCM) RAM

The TCM RAM, protected by ECC, optimizes the efficiency of the Cortex-M7 and the AHB masters accesses.

Figure 10-1. TCM RAM Mapping



The 192 Kbytes of the TCM RAM are accessible in a non-contiguous address space by the Cortex-M7:

- 64 Kbytes at address 0 through the ITCM interface
- 128 Kbytes at address 0x20000000 through the DTCM0 and the DTCM1 interfaces

After reset :

- The ITCM is disabled to make the internal Flash (HEFC) or the HEMC accessible at address 0. The Flash or the HEMC must embed some code to enable the TCM link and to perform a copy from the Flash or the HEMC to the ITCM memory through the AHBS.
- DTCM0/1 are enabled for variables.

To execute code from ITCM, follow the given sequence:

1. Start executing the code from Flash or HEMC.

2. Enable the ITCM interface and perform a global initialization of I/DTCM memories, to align data and checksum.
3. Perform a copy (through AHBS) of the code to execute from the Flash or the HEMC to the TCM RAM (ITCM).
4. The stack and the variables are allocated in the DTCM address space.
5. Jump in the ITCM code.

### 10.2.2 Internal Multiport SRAM (FlexRAM)

The 128-Kbyte Multiport SRAM, protected by ECC, has several ports connected either to the AHB matrix or directly to the Cortex-M7 to enable simultaneous accesses:

- Three 32-bit ports connected to the AHB matrix
- Two 32-bit ports directly connected to the Cortex-M7 processor

### 10.2.3 Internal ROM

SAMRH707 devices embed an internal ROM of 128 Kbytes that contains a pre-installed bootloader firmware.

The ROM is mapped by default at address 0x1100 0000 but it may also be mapped at 0x00000000 based on the BOOT\_MODE[1:0] configuration bit and the ITCM use.

## 10.2.4 Flash Memories

### 10.2.4.1 Embedded Flash Overview

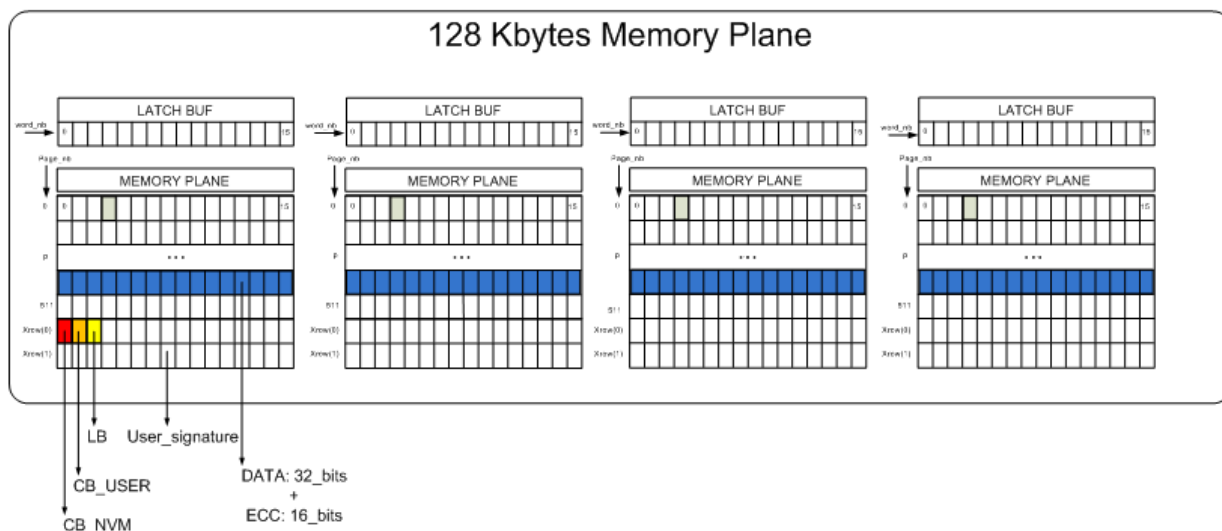
The embedded Flash memory is made of 4 x 32 Kbytes, placed in parallel for a total size of 128 Kbytes.

The embedded Flash memory is made of 512 pages of 256 bytes 4 x (16 x 4 bytes) of data. Additionally, the Flash memory embeds more space to store the HECC data (64 Kbytes total). The embedded HECC can detect and correct up to 2 bits in each 32-bit data.

The embedded Flash memory has two additional rows (xrow0, xrow1) containing:

- Xrow0: 128 user fuse bits, 32 NVM calibration bits, and 32 lock bits.
- Xrow1: End user signature: 256 bytes available for the user. The end user signature can be used to store information such as trimming, keys, and so on, that the user does not want to be erased by the software ERASE command. Read, write, and erase of this area is allowed.

Figure 10-2. Memory Plane Overview



### 10.2.4.2 Hardened Embedded Flash Controller (HEFC)

The Hardened Embedded Flash Controller (HEFC) manages accesses performed by the system masters. It enables reading the Flash and writing the latch buffer. It also contains a user interface mapped on the APB. The HEFC manages the programming, erasing, locking, and unlocking sequences of the Flash using a full set of commands.

### 10.2.4.3 Factory Trim Values for Internal Oscillators

RC trim are done by the software by reading the dedicated Flash GPNVM values.

Table 10-1. GPNVM Bits Description

Application View	Description
CRC value [31:0]	CRC value
cb_user [33:32]	RC ttrim @4/8/10/12 MHz
cb_user [36:34]	RC ftrim @4/8/10/12 MHz
cb_user [38:37]	RC ttrim @4/8/10/12 MHz
cb_user [41:39]	RC ftrim @4/8/10/12 MHz
cb_user [43:42]	RC ttrim @4/8/10/12 MHz
cb_user [46:44]	RC ftrim @4/8/10/12 MHz

### 10.2.5 Boot Strategies

SAMRH707 devices can boot from one of these three memories:

- Internal Flash memory through HEFC
- External PROM memory through HEMC
- Internal ROM with communication link

The selection is performed by reading the BOOT\_MODE[1:0] bits as the reset is released:

- 0b00: internal Flash memory (HEFC)
- 0b01: external PROM memory (HEMC)
- 0b1X: internal ROM with/without maintenance mode

When the External PROM is selected, the CFG2 input is sampled. If CFG2 is high, the ECC is enabled, otherwise the ECC is disabled. When the internal ROM is selected, the CGF2 input is sampled, to select the TM/TC link used.

## 11. Event System

### 11.1 Real-time Management

Signals generated by peripherals are designed to be directly routed to the peripherals managing/using these events without processor intervention:

- Timers, PWM, I/Os, and peripherals generate events that are directly routed to destination peripherals such as ADC to start measurement/conversion without processor intervention.
- The ADC is connected to several trigger inputs, defined as two groups. One group consists of six elements: Timer Counters (TC0 through TC2), ADCTRG, PWM Event0, and PWM0 Event1.
- PWM safety events (faults) are directly routed from the event generators (AFEC, ACC, PMC, TC) to the PWM module.
- PWM output comparators (OCx) generated events are directly connected to the TC.
- The PMC safety event (clock failure detection) can be programmed to switch the MCK on a reliable main RC internal clock without processor intervention.

**Table 11-1.** Real-Time Mapping List

Function	Application	Description	Source	Destination
Safety	General-purpose	Automatically switch to the reliable main RC oscillator when the main clock fails	Power Management Controller (PMC)	PMC
	General-purpose, motor control	Puts the PWM outputs in Safe mode when the main clock fails	PMC	Pulse Width Modulation 0 and 1 (PWM0 and PWM1)
	Motor control	Puts the PWM outputs in Safe mode (overspeed detection through timer quadrature decoder)	Timer Counter Block (TC0)	PWM
			Timer Counter Block (TC1)	PWM
	Motor control	Puts the PWM outputs in Safe mode (overspeed, overcurrent detection, and so on)	Analog to Digital Converter (ADC)	PWM
General-purpose	Puts the PWM outputs in Safe mode (general-purpose fault inputs)	3 I/Os (PWMCx_PWMFlx)	PWM	
Measurement trigger	General-purpose	Programmable delay in PWM	PWMC0_PWMEXTRG0 PWMC0_PWMEXTRG1	PWM
			PWMCx_PWMEXTRG0 PWMCx_PWMEXTRG1	ADC
	General-purpose	Triggers source selection in ADC	ADTRG TIOA0,TIOA1,TIOA2	ADC
Delay measurement	Motor control	Delays measurements between the PWM outputs and the TC inputs externally connected to the power transistor bridge driver	PWMx Compare Line 0	TC0 Input (A/B)
			PWMx Compare Line 1	TC1 Input (A/B)
			PWMx Compare Line 2	TC2 Input (A/B)

## 12. Peripherals

### 12.1 Peripheral Identifiers

The table below defines the Peripheral Identifier of the SAMRH707 device. A peripheral identifier is required to control the peripheral interrupt with the Nested Vectored Interrupt Controller (NVIC) and to control the peripheral clock with the Power Management Controller (PMC).

**Table 12-1.** Peripheral Identifiers

Instance ID	Instance Name	NVIC Interrupt	PMC Clock Control	Generic Clock	Instance Description
0	SUPC	X	-	-	Supply Controller
1	RSTC	X	-	-	Reset Controller
2	RTC	X	-	-	Real Time Clock
3	RTT	X	-	-	Real Time Timer
4	WDT	X	-	-	Watchdog Timer
5	PMC	X	-	-	Power Management Controller
6	MATRIX0	X	-	-	Matrix 0
7	FLEXCOM0	X	X	X	FLEXCOM 0
8	FLEXCOM1	X	X	X	FLEXCOM 1
9	NMIC	X	-	X	NMI Controller
10	PIOA	X	X	-	Parallel I/O Controller A
11	PIOB	X	-	-	Parallel I/O Controller B
12	PIOC	X	-	-	Parallel I/O Controller C
13	FLEXCOM2	X	X	X	FLEXCOM 2
14	FLEXCOM3	X	X	X	FLEXCOM 3
15	-	-	-	-	Reserved
16	PIOD	X	-	-	Parallel I/O Controller D
17	-	-	-	-	Reserved
18	ARM	CCW	-	-	Arm Cache ECC Warning
19	ARM	CCF	-	-	Arm Cache ECC Fault
20	ARM	FPU	-	-	Floating Point Unit except IXC
21	ARM	IXC	-	-	Floating Point Unit Interrupt IXC associated with FPU cumulative exception bit
22	CRCCU	X	X	-	CRCCU
23	ADCC	X	-	X	ADC Controller
24	DACC	X	X	-	DAC Controller
25	TC0	X	X	X	Timer Counter Channel 0
26	TC1	X	X	-	Timer Counter Channel 1
27	TC2	X	X	-	Timer Counter Channel 2
28	TC3	X	X	X	Timer Counter Channel 3
29	TC4	X	X	-	Timer Counter Channel 4
30	TC5	X	X	-	Timer Counter Channel 5
31	PWM0	X	X	-	Pulse Width Modulation 0
32	PWM1	X	X	-	Pulse Width Modulation 1
33	ICM	X	X	-	Integrity Check Monitor
34	-	-	-	-	Reserved
35	-	-	-	-	Reserved

.....continued

Instance ID	Instance Name	NVIC Interrupt	PMC Clock Control	Generic Clock	Instance Description
36	MCAN0	INT0	X	X	MCAN Controller 0
37	MCAN0	INT1	-	-	MCAN 0 IRQ 1
38	MCAN1	INT0	X	X	MCAN Controller 1
39	MCAN1	INT1	-	-	MCAN 1 IRQ 1
40	TCMECC	INTFIX	-	-	TCM RAM-HECC Fixable error detected
41	TCMECC	INTNOFIX	-	-	TCM RAM-HECC Unfixable error detected
42	FLEXRAM-ECC	INTFIX	-	-	FlexRAM-HECC Fixable error detected
43	FLEXRAM-ECC	INTNOFIX	-	-	FlexRAM-HECC Unfixable error detected
44	SHA	X	X	-	Secure Hash Algorithm
45	PCC	X	X	-	Parallel Capture Controller
46	-	-	-	-	Reserved
47	WDT1	INTWDT1	-	-	Watchdog Timer 1
48	-	-	-	-	Reserved
49	-	-	-	-	Reserved
50	HEFC	INT0	X	X	HEFC-Clock for writing in Flash
51	HEFC	INTFIX	-	-	HEFC-HECC Fixable error detected
52	HEFC	INTNOFIX	-	-	HEFC-HECC Unfixable error detected
53	TC6	X	X	X	Timer Counter Channel 6
54	TC7	X	X	-	Timer Counter Channel 7
55	TC8	X	X	-	Timer Counter Channel 8
56	-	-	-	-	Reserved
57	-	-	-	-	Reserved
58	-	-	-	-	Reserved
59	HEMC	INTHEMC	X	-	HEMC
60	HEMC	INTFIX	-	-	HEMC-HECC Fixable error detected
61	HEMC	INTNOFIX	-	-	HEMC-HECC Unfixable error detected
62	SFR	-	-	-	Special Function Register
63	TRNG	X	X	-	True Random Generator
64	XDMAC	X	X	-	Extended DMA Controller
65	SPW	X	X	X	SpaceWire
66	SPW	-	X	X	SpaceWire TimeTick
67	-	-	-	-	Reserved
68	IP1553	INT0	X	X	1553
69	-	-	-	-	Reserved
70	-	-	-	-	Reserved
71	-	-	-	-	Reserved
72	-	-	-	-	Reserved
73	-	-	-	-	Reserved
74	-	-	-	-	Reserved
75	-	-	-	-	Reserved
76	-	-	-	-	Reserved
77	-	-	-	-	Reserved
78	-	-	-	-	Reserved
79	-	-	-	-	Reserved



## 12.2 XDMAC Peripheral Connections

Table 12-2. Peripheral Hardware Requests

Instance Name	Channel T/R	DMA Channel HW Interface Number
FLEXCOM0	Transmit	0
FLEXCOM0	Receive	1
FLEXCOM1	Transmit	2
FLEXCOM1	Receive	3
FLEXCOM2	Transmit	4
FLEXCOM2	Receive	5
FLEXCOM3	Transmit	6
FLEXCOM3	Receive	7
PWM0	Transmit	8
PWM1	Transmit	9
TC0	Receive	10
TC1	Receive	11
TC2	Receive	12
SHA	Transmit	13
TC1_CPA	Compare Counter A, Timer Channel 1	14
TC4_CPA	Compare Counter A, Timer Channel 4	15
TC7_CPA	Compare Counter A, Timer Channel 7	16
TC1_CPB	Compare Counter B, Timer Channel 1	17
TC4_CPB	Compare Counter B, Timer Channel 4	18
TC7_CPB	Compare Counter B, Timer Channel 7	19
TC1_CPC	Compare Counter C, Timer Channel 1	20
TC4_CPC	Compare Counter C, Timer Channel 4	21
TC7_CPC	Compare Counter C, Timer Channel 7	22
TC1_ETRG	External Event trigger, Timer Channel 1 for TC1_ETRG	23
TC4_ETRG	External Event trigger, Timer Channel 4 for TC1_ETRG	24
TC7_ETRG	External Event trigger, Timer Channel 7 for TC1_ETRG	25
ADCC	Receive	26
DACC	Transmit	27
PCC	Receive	28

## 12.3 FLEXCOM Features

The FLEXCOM embeds all the communication interfaces.



**Important:** Hardware handshaking flow control is not functional with the DMA.

**Table 12-3. FLEXCOM Configuration**

FUNC	Sub Function	FLEXCOM			
		0	1	2	3
TWI	Normal/Fast/FM+	X	X	X	X
	Alternate Cmd	X	X	X	X
	Three Slave ADDR	X	X	X	X
	High Speed	X	X	X	X
	SMBUS	X	X	X	X
	Sniffer	X	X	X	X
	FIFO Size	8-byte	8-byte	8-byte	8-byte
USART	Basic	X	X	X	X
	Hardware Handshaking/RS-485	X	X	X	X
	ISO7816	X	X	X	X
	IrDA	-	-	-	-
	LIN	-	-	-	-
	LON	-	-	-	-
	BASIC SPI	-	-	-	-
	MANCHESTER	X	X	X	X
FIFO size	16-byte	16-byte	16-byte	16-byte	
SPI	Two CS	-	-	-	-
	Four CS	X	X	X	X
	FIFO Size	8-byte	8-byte	8-byte	8-byte

**Table 12-4. FLEXCOM Default Functionality (IP Mode after Reset)**

FUNC	FLEXCOM			
	0	1	2	3
TWI	-	-	-	-
USART	X	X	X	X
SPI	-	-	-	-

## 13. ARM Cortex-M7 (ARM)

Refer to the ARM reference documents *Cortex-M7 Processor User Guide* (ARM DUI 0646B) and the *Cortex-M7 Technical Reference Manual* (ARM DDI 0489D), available on [www.arm.com](http://www.arm.com).

### 13.1 ARM Cortex-M7 Configuration

The table below gives the configuration for the Arm Cortex-M7 processor in SAMRH707.

**Table 13-1.** ARM Cortex-M7 Configuration

Features	Configuration
<b>Debug</b>	
Comparator set	Full comparator set: 4 DWT and 8 FPB comparators
ETM support	Instruction ETM interface
Internal Trace support (ITM)	ITM and DWT trace functionality implemented
CTI and WIC	Not embedded
<b>TCM</b>	
ITCM max size	64 Kbytes
DTCM max size	128 Kbytes
<b>Cache</b>	
Cache size	16 Kbytes for instruction cache, 16 Kbytes for data cache
Number of sets	256 for instruction cache, 128 for data cache
Number of ways	2 for instruction cache, 4 for data cache
Number of words per cache line	8 words (32 bytes)
ECC on Cache	Embedded
<b>NVIC</b>	
IRQ number	69
IRQ priority levels	3
<b>MPU</b>	
Number of regions	16
<b>FPU</b>	
FPU precision	Single and double precision
<b>AHB Port</b>	
AHBP addressing size	512 Mbytes

## 14. TCM Hardened Error Correction Code (TCMHECC)

### 14.1 Description

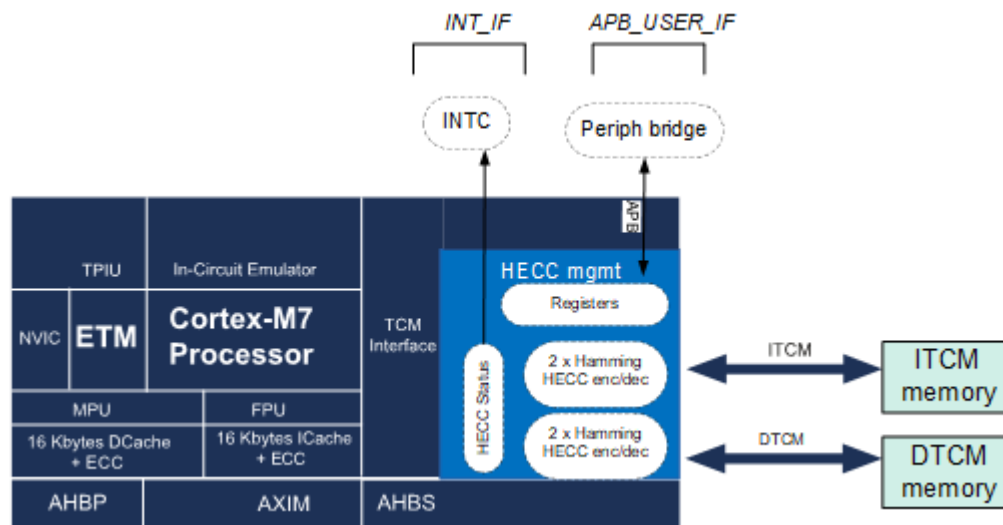
The TCM Hardened Error Correction Code (TCMHECC) is a module embedded in the TCM interface to protect data against radiation effects.

### 14.2 Embedded Characteristics

- Embedded Hamming Code to Correct One Error and Detect up to Two Errors per 32-bit Word
- Interrupt Capabilities
  - One interrupt dedicated to fixable errors
  - One interrupt dedicated to unfixable errors
- Error Counters Available for Statistical Reporting
  - One counter dedicated to fixable errors
  - One counter dedicated to unfixable errors
- Embedded TCMHECC Testing Mode

### 14.3 Block Diagram

Figure 14-1. TCM Memories – HECC Protection – Block Overview



## 14.4 Functional Description

### 14.4.1 Overview

The TCMHECC comprises of the following:

- Four Hamming encoders/decoders:
  - One Hamming for ITCM MSB – 32 bits
  - One Hamming for ITCM LSB – 32 bits
  - One Hamming for DTCM0 – 32 bits
  - One Hamming for DTCM1 – 32 bits
- An APB end user interface:
  - To enable/disable the TCMHECC protection

- To activate/deactivate the TCMHECC test mode for all Hamming blocks (independently in read or write mode)
- To reset the TCMHECC fixable and unfixable counters
- An APB end user interface for errors status and reporting:
  - Indicates whether fixable errors have been detected and corrected on-the-fly, and quantifies them
  - Indicates whether unfixable errors have been detected and quantifies them
  - The indication can be done either by interruption or by polling
  - Indicates the address and the origin of the last TCMHECC error detected

#### 14.4.2 Operation

When enabled, the TCMHECC operates at each access to the memories.

However, the TCMHECC detection and correction is performed only on read/fetch accesses, by comparing the TCMHECC checksum stored in memory to the one locally computed from data read.

**Note:** When TCMHECC is enabled on the TCM (ITCM/DTCM) memories, the read-modify-write feature on ITCM/DTCM memories must be enabled to ensure the integrity of the ECC checkbits on sub-word writes.

**Notes:** At power up, the DATA and CHECKSUM of the (I/D)TCM memories are not coherent. Before enabling the TCMHECC feature, a full initialization of the (I/D)TCM memories must align DATA and CHECKSUM information. For that, the following procedure must be applied:

1. Deactivate RMW and RETRY feature and activate the ENABLE feature on (I/D)TCM.
2. Read and write back all content of I/D(TCM).
  - a. Deactivate the TCMHECC feature and read the DATA of the (I/D)TCM memories.
  - b. Activate the TCMHECC feature and write the DATA +CHECKSUM on the (I/D)TCM memories.



**Important:** At this step, only Write 64-bit instruction must be used.

3. Reactivate the RMW feature and RETRY and the ENABLE feature on (I/D)TCM.

At this step, the (I/D)TCM is fully initialized and DATA and CHECKSUM are aligned.

#### 14.4.3 Interrupt Sources

Using the TCMHECC interrupt requires the interrupt controller to be programmed first.

### 14.5 Hamming Code

The Hamming code used is Hamming(39,32). For each 32-bit word, a 7-bit checksum is generated. With this correction code, errors of one bit can be corrected (fixable error) and errors of up to two bits (unfixable errors) can be detected.

#### 14.5.1 Write Access

When the processor performs a write access to a TCMHECC protected memory, the TCMHECC also writes the 7-bit TCMHECC checksum on this memory.

#### 14.5.2 Read Access

When the processor performs a read access to a TCMHECC protected memory, it reads data and the associated checksum. The checksum read from the TCMHECC protected memory is compared against the checksum generated by the TCMHECC from the same read data. Any discrepancy yields

an error and a syndrome is computed to further qualify the error as a fixable error or unfixable error.

### 14.5.3 Fixable Error

If a fixable error occurs, a retry signal is raised, then the processor may re-access the same data. For this second access, no timing penalty is incurred.

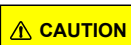
The fixable error event is reported in the Status register (TCMHECC\_SR) and the address of the corresponding error is reported in the Fail Address register (TCMHECC\_FAILAR).

If the fixable error occurs in the Instruction TCM (ITCM) or in Data TCM (DTCM) memory, the flag TCMHECC\_SR.FIX\_I or TCMHECC\_SR.FIX\_D is raised, respectively.

If previously enabled, fixable interrupts are also generated.

When a fixable error is detected, a memory number indicates which memory is involved (TCMHECC\_SR.MEM\_ID\_I or TCMHECC\_SR.MEM\_ID\_D).

The fixable error remains in memory until a software-initiated rewrite is performed at the faulty memory location.



In the interrupt handler, reading the status clears the interrupt. If a read to the fail address is performed in the handler after the status has been read, this generates a new unexpected interrupt as the error has not been corrected yet.



The Write-back sequence is done only in 64-bit for ITCM.

---

To track the number of fixable errors, a fixable error counter is available. It is incremented each time a fixable error, whether in the DTCM or the ITCM, is detected and until a counter overflow is detected.

The fixable counter is reset using RST\_NOFIX\_CPT in TCMHECC\_CR.

### 14.5.4 Unfixable Error

The unfixable error event is reported in the Status register (TCMHECC\_SR) and the address of the corresponding error is reported in the Fail Address register (TCMHECC\_FAILAR).

If the unfixable error occurs in the Instruction TCM (ITCM) or in Data TCM (DTCM) memory, the flag TCMHECC\_SR.NOFIX\_I or TCMHECC\_SR.NOFIX\_D is raised, respectively.

If previously enabled, unfixable interrupts are also generated.

When an unfixable error is detected, a memory number indicates which memory is involved (TCMHECC\_SR.MEM\_ID\_I or TCMHECC\_SR.MEM\_ID\_D).

The unfixable error remains in memory until a software-initiated rewrite is performed at the faulty memory location.



The Write sequence shall be done only in 64-bit for ITCM.

---

To track the number of unfixable errors, an unfixable error counter is available. It is incremented each time an unfixable error, whether in the DTCM or the ITCM, is detected and until a counter overflow is detected.

The unfixable counter is reset using RST\_NOFIX\_CPT in TCMHECC\_CR.

## 14.6 TCMHECC Testing

Operation of the TCMHECC can be bypassed for testing purposes and is controlled in the Control register (TCMHECC\_CR).

When testing mode is activated, it is applied on the four Hamming encoder/decoder blocks.

### 14.6.1 Write Test

When TCMHECC write bypass is enabled (TCMHECC\_CR.TEST\_MODE\_WR=1), the test checksum (TCMHECC\_TESTCB1.TCB1 and TCMHECC\_TESTCB1.TCB2) replaces the TCMHECC-generated checksum during a data store.

- TCMHECC\_TESTCB1.TCB1 is relative to DTCM0, DTCM1, ITCM (LSB)
- TCMHECC\_TESTCB1.TCB2 is relative to ITCM (MSB)

**Note:** When a write 64-bit data is used in Write Data Test mode, the same data must be written twice (on the 32-bit MSB and the 32-bit LSB) because only ECC\_TESTCB1.TCB1 is used to inject checksum on DTCM0 and DTCM1.

### 14.6.2 Read Test

When the TCMHECC read diagnostic is enabled (TCMHECC\_CR.TEST\_MODE\_RD=1), the test checksum (TCMHECC\_TESTCB1.TCB1 and TCMHECC\_TESTCB1.TCB2) is updated with the read checksum during a data load or an instruction fetch.

**Note:** In read test mode, only read of 8-, 16- or 32-bit data can be performed in order to have the corresponding checksum read stored in ECC\_TESTCB1.TCB1.

If 64-bit read data instruction is used, only checksum corresponding to the 32-bit LSB is stored in ECC\_TESTCB1.TCB1. Reading the checksum corresponding to the 32-bit MSB is not possible.

## 14.7 Register Summary

Offset	Name	Bit Pos.	7	6	5	4	3	2	1	0	
0x00	TCMHECC_CR	7:0			RST_NOFIX_CPT	RST_FIX_CPT		TEST_MODE_WR	TEST_MODE_RD	ENABLE	
		15:8									
		23:16									
		31:24									
0x04	TCMHECC_TESTCB1	7:0	TCB1[7:0]								
		15:8	TCB2[7:0]								
		23:16									
		31:24									
0x08 ... 0x0B	Reserved										
0x0C	TCMHECC_SR	7:0	OVER_FIX	CPT_FIX[4:0]					MEM_FIX_D	MEM_FIX_I	
		15:8	OVER_NOFIX	CPT_NOFIX[4:0]					MEM_NOFIX_D	MEM_NOFIX_I	
		23:16									
		31:24			MEM_ID_D	MEM_ID_I	ONE	HES[2:0]			
0x10	TCMHECC_IER	7:0					MEM_NOFIX_D	MEM_FIX_D	MEM_NOFIX_I	MEM_FIX_I	
		15:8									
		23:16									
		31:24									
0x14	TCMHECC_IDR	7:0					MEM_NOFIX_D	MEM_FIX_D	MEM_NOFIX_I	MEM_FIX_I	
		15:8									
		23:16									
		31:24									
0x18	TCMHECC_IMR	7:0					MEM_NOFIX_D	MEM_FIX_D	MEM_NOFIX_I	MEM_FIX_I	
		15:8									
		23:16									
		31:24									
0x1C	TCMHECC_FAILAR	7:0	ADDRESS[7:0]								
		15:8	ADDRESS[15:8]								
		23:16	ADDRESS[23:16]								
		31:24	ADDRESS[31:24]								
0x20	TCMHECC_FAILARD	7:0	ADDRESS[7:0]								
		15:8	ADDRESS[15:8]								
		23:16	ADDRESS[23:16]								
		31:24	ADDRESS[31:24]								
0x24	TCMHECC_FAILDR	7:0	DATA[7:0]								
		15:8	DATA[15:8]								
		23:16	DATA[23:16]								
		31:24	DATA[31:24]								
0x28	TCMHECC_FAILDRD	7:0	DATA[7:0]								
		15:8	DATA[15:8]								
		23:16	DATA[23:16]								
		31:24	DATA[31:24]								



### 14.7.1 TCMHECC Control Register

**Name:** TCMHECC\_CR  
**Offset:** 0x00  
**Reset:** 0x00000001  
**Property:** Read/Write

Bit	31	30	29	28	27	26	25	24
Access								
Reset								
Bit	23	22	21	20	19	18	17	16
Access								
Reset								
Bit	15	14	13	12	11	10	9	8
Access								
Reset								
Bit	7	6	5	4	3	2	1	0
Access			R/W	R/W		R/W	R/W	R/W
Reset			0	0		0	0	1
			RST_NOFIX_C PT	RST_FIX_CPT		TEST_MODE_ WR	TEST_MODE_ RD	ENABLE

#### Bit 5 – RST\_NOFIX\_CPT Reset the Unfixable Error Counter

This bit automatically returns to '0' once the operation is done.

Value	Description
0	No effect.
1	Resets the TCMHECC unfixable error counter.

#### Bit 4 – RST\_FIX\_CPT Reset the Fixable Error Counter

This bit automatically returns to '0' once the operation is done.

Value	Description
0	No effect.
1	Resets the TCMHECC fixable error counter.

#### Bit 2 – TEST\_MODE\_WR Test Mode of TCMHECC Protection - Write Mode

The ENABLE bit must be enabled to use TEST\_MODE\_WR.

Value	Description
0	Write test mode is deactivated.
1	Write test mode is activated.

#### Bit 1 – TEST\_MODE\_RD Test Mode of TCMHECC Protection - Read Mode

The ENABLE bit must be enabled to use TEST\_MODE\_RD.

Value	Description
0	Read test mode is deactivated.
1	Read test mode is activated.

#### Bit 0 – ENABLE TCMHECC Protection Enable

Value	Description
0	Protection is deactivated.
1	Protection is activated.

## 14.7.2 TCMHECC Test Mode Register 1

**Name:** TCMHECC\_TESTCB1  
**Offset:** 0x4  
**Reset:** 0x00000000  
**Property:** Read/Write

TCB1[7] and TCB2[7] are fixed to 0.

Bit	31	30	29	28	27	26	25	24
Access								
Reset								
Bit	23	22	21	20	19	18	17	16
Access								
Reset								
Bit	15	14	13	12	11	10	9	8
Access	TCB2[7:0]							
Reset	R/W	R/W	R/W	R/W	R/W	R/W	R/W	R/W
Reset	0	0	0	0	0	0	0	0
Bit	7	6	5	4	3	2	1	0
Access	TCB1[7:0]							
Reset	R/W	R/W	R/W	R/W	R/W	R/W	R/W	R/W
Reset	0	0	0	0	0	0	0	0

### Bits 15:8 – TCB2[7:0] Test Check Bit (8-bit)

Check bit for test purposes (ITCM\_MSB is stored here).  
 TCB2[7] is fixed to 0.

### Bits 7:0 – TCB1[7:0] Test Check Bit (8-bit)

Check bit for test purposes (D0TCM, D1TCM or ITCM LSB is stored here).  
 TCB1[7] is fixed to 0.

### 14.7.3 TCMHECC Status Register

**Name:** TCMHECC\_SR  
**Offset:** 0xC  
**Reset:** 0x0A000000  
**Property:** Read/Write

Bit	31	30	29	28	27	26	25	24	
			MEM_ID_D	MEM_ID_I	ONE	HES[2:0]			
Access			R	R	R	R	R	R	
Reset			0	0	1	0	1	0	
Bit	23	22	21	20	19	18	17	16	
Access									
Reset									
Bit	15	14	13	12	11	10	9	8	
	OVER_NOFIX	CPT_NOFIX[4:0]					MEM_NOFIX_D	MEM_NOFIX_I	
Access	R	R	R	R	R	R	R	R	
Reset	0	0	0	0	0	0	0	0	
Bit	7	6	5	4	3	2	1	0	
	OVER_FIX	CPT_FIX[4:0]					MEM_FIX_D	MEM_FIX_I	
Access	R	R	R	R	R	R	R	R	
Reset	0	0	0	0	0	0	0	0	

**Bit 29 – MEM\_ID\_D** Memory Identification Number  
 Defines the memory to which the error corresponds.

Value	Description
0	DTCM0 is selected.
1	DTCM1 is selected.

**Bit 28 – MEM\_ID\_I** Memory Identification Number  
 Defines the memory to which the error corresponds.

Value	Description
0	ITCM LSB is selected.
1	ITCM MSB is selected.

**Bit 27 – ONE** One  
 Always fixed to 1.

**Bits 26:24 – HES[2:0]** Hardware Error Size  
 Identifies the size of the failed access.  
 Always fixed to 010=word.

**Bit 15 – OVER\_NOFIX** Counter Overflow

Value	Description
0	No overflow has occurred since the last read on the unfixable counter.
1	An overflow has occurred since the last read on the unfixable counter.

**Bits 14:10 – CPT\_NOFIX[4:0]** 5-bit Counter  
 Counts the number of unfixable errors detected for one type of memory during the mission.

**Bit 9 – MEM\_NOFIX\_D** Unfixable Error Status in Data Memory

Value	Description
0	No unfixable error detected on data memory
1	An unfixable error has been detected in data memory.

**Bit 8 – MEM\_NOFIX\_I** Unfixable Error Status in Instruction Memory

Value	Description
0	No unfixable error detected on instruction memory
1	An unfixable error has been detected in instruction memory.

**Bit 7 – OVER\_FIX** Counter Overflow

Value	Description
0	No overflow has occurred since the last read on the fixable counter.
1	An overflow has occurred since the last read on the fixable counter.

**Bits 6:2 – CPT\_FIX[4:0]** 5-bit Counter

Counts the number of fixable errors detected for one type of memory during the mission.

**Bit 1 – MEM\_FIX\_D** Fixable Error Status in Data Memory

Value	Description
0	No fixable error detected on data memory
1	A fixable error has been detected on data memory.

**Bit 0 – MEM\_FIX\_I** Fixable Error Status in Instruction Memory

Value	Description
0	No fixable error detected on instruction memory
1	A fixable error has been detected on instruction memory.

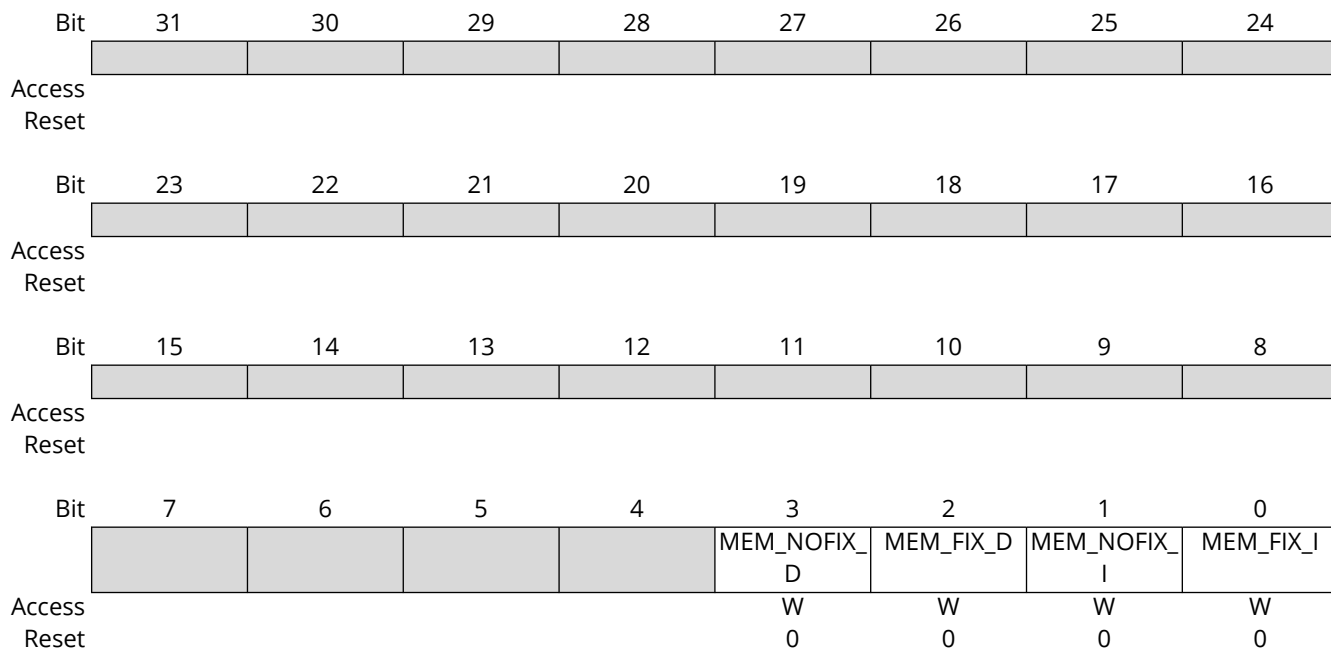
#### 14.7.4 TCMHECC Interrupt Enable Register

**Name:** TCMHECC\_IER  
**Offset:** 0x10  
**Reset:** 0x00000000  
**Property:** Write-only

The following configuration values are valid for all listed bit names of this register:

0: No effect.

1: Enables the corresponding interrupt.



**Bit 3 - MEM\_NOFIX\_D** Unfixable Error On Data

**Bit 2 - MEM\_FIX\_D** Fixable Error On Data

**Bit 1 - MEM\_NOFIX\_I** Unfixable Error On Instruction

**Bit 0 - MEM\_FIX\_I** Fixable Error On Instruction

### 14.7.5 TCMHECC Interrupt Disable Register

**Name:** TCMHECC\_IDR  
**Offset:** 0x14  
**Reset:** 0x00000000  
**Property:** Write-only

The following configuration values are valid for all listed bit names of this register:

0: No effect.

1: Disables the corresponding interrupt.

Bit	31	30	29	28	27	26	25	24
Access								
Reset								
Bit	23	22	21	20	19	18	17	16
Access								
Reset								
Bit	15	14	13	12	11	10	9	8
Access								
Reset								
Bit	7	6	5	4	3	2	1	0
Access					MEM_NOFIX_	MEM_FIX_D	MEM_NOFIX_	MEM_FIX_I
Reset					D		I	
Access					W	W	W	W
Reset					0	0	0	0

**Bit 3 - MEM\_NOFIX\_D** Unfixable Error On Data

**Bit 2 - MEM\_FIX\_D** Fixable Error On Data

**Bit 1 - MEM\_NOFIX\_I** Unfixable Error On Instruction

**Bit 0 - MEM\_FIX\_I** Fixable Error On Instruction

## 14.7.6 TCMHECC Interrupt Mask Register

**Name:** TCMHECC\_IMR  
**Offset:** 0x18  
**Reset:** 0x00000000  
**Property:** Read-only

The following configuration values are valid for all listed bit names of this register:

0: The corresponding interrupt is disabled.

1: The corresponding interrupt is enabled.



**Bit 3 - MEM\_NOFIX\_D** Unfixable Error On Data

**Bit 2 - MEM\_FIX\_D** Fixable Error On Data

**Bit 1 - MEM\_NOFIX\_I** Unfixable Error On Instruction

**Bit 0 - MEM\_FIX\_I** Fixable Error On Instruction



### 14.7.7 TCMHECC Fail Address Register

**Name:** TCMHECC\_FAILAR  
**Offset:** 0x1C  
**Reset:** 0x00000000  
**Property:** Read-only

Bit	31	30	29	28	27	26	25	24
	ADDRESS[31:24]							
Access	R	R	R	R	R	R	R	R
Reset	0	0	0	0	0	0	0	0
Bit	23	22	21	20	19	18	17	16
	ADDRESS[23:16]							
Access	R	R	R	R	R	R	R	R
Reset	0	0	0	0	0	0	0	0
Bit	15	14	13	12	11	10	9	8
	ADDRESS[15:8]							
Access	R	R	R	R	R	R	R	R
Reset	0	0	0	0	0	0	0	0
Bit	7	6	5	4	3	2	1	0
	ADDRESS[7:0]							
Access	R	R	R	R	R	R	R	R
Reset	0	0	0	0	0	0	0	0

**Bits 31:0 – ADDRESS[31:0]** Address of the Error Detected in ITCM

The address of the faulty data detected when a fixable or an unfixable error occurs in ITCM memory.

### 14.7.8 TCMHECC Fail Address Register Data

**Name:** TCMHECC\_FAILARD  
**Offset:** 0x20  
**Reset:** 0x00000000  
**Property:** Read-only

Bit	31	30	29	28	27	26	25	24
	ADDRESS[31:24]							
Access	R	R	R	R	R	R	R	R
Reset	0	0	0	0	0	0	0	0
Bit	23	22	21	20	19	18	17	16
	ADDRESS[23:16]							
Access	R	R	R	R	R	R	R	R
Reset	0	0	0	0	0	0	0	0
Bit	15	14	13	12	11	10	9	8
	ADDRESS[15:8]							
Access	R	R	R	R	R	R	R	R
Reset	0	0	0	0	0	0	0	0
Bit	7	6	5	4	3	2	1	0
	ADDRESS[7:0]							
Access	R	R	R	R	R	R	R	R
Reset	0	0	0	0	0	0	0	0

#### Bits 31:0 – ADDRESS[31:0] Address of the Error Detected on DCTM

The address of the faulty data detected when a fixable or an unfixable error occurs in DTCM memory.

### 14.7.9 TCMHECC Fail Data Register

**Name:** TCMHECC\_FAILDR  
**Offset:** 0x24  
**Reset:** 0x00000000  
**Property:** Read-only

Bit	31	30	29	28	27	26	25	24
	DATA[31:24]							
Access	R	R	R	R	R	R	R	R
Reset	0	0	0	0	0	0	0	0
Bit	23	22	21	20	19	18	17	16
	DATA[23:16]							
Access	R	R	R	R	R	R	R	R
Reset	0	0	0	0	0	0	0	0
Bit	15	14	13	12	11	10	9	8
	DATA[15:8]							
Access	R	R	R	R	R	R	R	R
Reset	0	0	0	0	0	0	0	0
Bit	7	6	5	4	3	2	1	0
	DATA[7:0]							
Access	R	R	R	R	R	R	R	R
Reset	0	0	0	0	0	0	0	0

**Bits 31:0 – DATA[31:0]** Data of the error detected in ITCM

The faulty data is stored in this register when a fixable or unfixable error occurs in ITCM.

## 14.7.10 TCMHECC Fail Data Register Data

**Name:** TCMHECC\_FAILDRD  
**Offset:** 0x28  
**Reset:** 0x00000000  
**Property:** Read-only

Bit	31	30	29	28	27	26	25	24
	DATA[31:24]							
Access	R	R	R	R	R	R	R	R
Reset	0	0	0	0	0	0	0	0
Bit	23	22	21	20	19	18	17	16
	DATA[23:16]							
Access	R	R	R	R	R	R	R	R
Reset	0	0	0	0	0	0	0	0
Bit	15	14	13	12	11	10	9	8
	DATA[15:8]							
Access	R	R	R	R	R	R	R	R
Reset	0	0	0	0	0	0	0	0
Bit	7	6	5	4	3	2	1	0
	DATA[7:0]							
Access	R	R	R	R	R	R	R	R
Reset	0	0	0	0	0	0	0	0

**Bits 31:0 – DATA[31:0]** Data of the error detected in DTCM

The faulty data is stored in this register when a fixable or unfixable error occurs in DTCM.

## 15. FlexRAM Memory and Embedded Hardened ECC (FLEXRAMECC) Controller

### 15.1 Description

The FlexRAM comprises 128 Kbytes of internal protected memory.

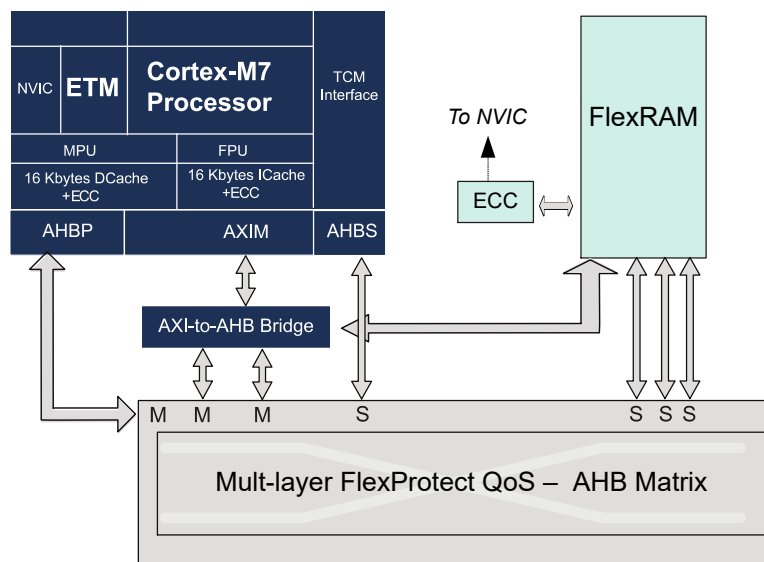
The embedded Hardened Error Correction Code (HECC) Controller for FlexRAM protects this data against the effects of radiation.

### 15.2 Embedded Characteristics

- 128 Kbytes of Internal Memory
- Three Slaves Access the HMATRIX
- Three Channels Depending on the Memory Type and the Access Used
- Embedded Hamming Code to Correct One Error and Detect up to Two Errors
- Interrupt Capabilities
  - One interrupt dedicated to Fixable Errors
  - One interrupt dedicated to Unfixable Errors
- Error Counter Available for Statistical Reporting
  - One counter dedicated to Fixable Errors
  - One counter dedicated to Unfixable Errors
- Embedded HECC for FlexRAM Testing Mode

### 15.3 Block Diagram

Figure 15-1. Block Diagram



### 15.4 Functional Description

#### 15.4.1 Overview

The HECC for FlexRAM comprises the following:

- One encoder/decoder Hamming

- An APB end user interface used to configure:
  - The FLEXRAMECC test mode (independently in read or write mode)
  - The reset of the FLEXRAMECC fixable and unfixable counters
- An APB end user interface for errors status and reporting:
  - Indicates whether fixable errors have been detected and corrected on-the-fly, and quantifies them
  - Indicates whether unfixable errors have been detected and quantifies them
  - The indication can be done either by interruption or by polling
  - Indicates the address and the status of the last FLEXRAMECC error detected

### 15.4.2 Operation

When enabled, the FLEXRAMECC operates at each access to the memories.

However, the FLEXRAMECC detection and correction is performed only on read/fetch accesses, by comparing the FLEXRAMECC checksum stored in memory to the one locally computed from data read.

### 15.4.3 Interrupt Sources

Using the FLEXRAMECC interrupt requires the interrupt controller to be programmed first.

## 15.5 Hamming Code

The Hamming code used is the Hamming(39,32). For each 32-bit word, a 7-bit checksum is generated. With this correction code, errors of one bit can be corrected (fixable error) and errors of up to two bits (unfixable errors) can be detected.

### 15.5.1 Write Access

When the processor performs a write access to an FLEXRAMECC protected memory, it also writes the 7-bit FLEXRAMECC checksum on the FLEXRAMECC protected memory.

### 15.5.2 Read Access

When the processor performs a read access to a FLEXRAMECC protected memory, it reads data and the associated checksum. The checksum read from the FLEXRAMECC protected memory is compared against the checksum generated by the FLEXRAMECC from the same read data. Any discrepancy yields an error and a syndrome is computed to further qualify the error as a fixable error or unfixable error.

### 15.5.3 Fixable Error

The correction of a fixable error is performed on-the-fly inside the processor during the current access and no timing penalty is incurred. It is also automatically corrected inside the memory.

The fixable error event is reported in the Status register (FLEXRAMECC\_SR) and the address of the corresponding error is reported in the Fail Address register (FLEXRAMECC\_FAILAR). If previously enabled, a fixable interrupt is generated.

To track the number of fixable errors, a fixable error counter is available. It is incremented each time a fixable error is detected and until a counter overflow is detected.

It is possible for the end user to reset the fixable counter using RST\_FIX\_CPT in the Control register (FLEXRAMECC\_CR).

### 15.5.4 Unfixable Error

The unfixable error event is reported in FLEXRAMECC\_SR and the address of the corresponding error is reported in FLEXRAMECC\_FAILAR. If previously enabled, an unfixable interrupt is generated.

To track the number of unfixable errors, an unfixable error counter is available. It is incremented each time an unfixable error is detected and until a counter overflow is detected.

It is possible for the end user to reset the unfixable counter using RST\_NOFIX\_CPT in FLEXRAMECC\_CR.

## 15.6 FLEXRAMECC Testing

Operation of the FLEXRAMECC can be bypassed for testing purposes and is controlled in FLEXRAMECC\_CR.

### 15.6.1 Write Test

When FLEXRAMECC write bypass is enabled (FLEXRAMECC\_CR.TEST\_MODE\_WR=1), the test checksum (FLEXRAMECC\_TESTCB1.TCB1) replaces the FLEXRAMECC generated checksum during a data store.

### 15.6.2 Read Test

When the FLEXRAMECC read diagnostic is enabled (FLEXRAMECC\_CR.TEST\_MODE\_RD=1), the test checksum (FLEXRAMECC\_TESTCB1.TCB1) is updated with the read checksum during a data load or an instruction fetch.

**Note:** The FLEXRAMECC test routine must be executed entirely from the instruction cache (when activated) or from an area without the FLEXRAMECC activated and different from the one being accessed. Otherwise, the checksum read during instruction fetch will overwrite those from the area to be tested.

## 15.7 Register Summary

Offset	Name	Bit Pos.	7	6	5	4	3	2	1	0
0x00	FLEXRAMECC_CR	7:0			RST_NOFIX_CPT	RST_FIX_CPT		TEST_MODE_WR	TEST_MODE_RD	ONE
		15:8								
		23:16								
		31:24								
0x04	FLEXRAMECC_TEST CB1	7:0	TCB1[7:0]							
		15:8								
		23:16								
		31:24								
0x08 ... 0x0B	Reserved									
0x0C	FLEXRAMECC_SR	7:0	OVER_FIX	CPT_FIX[4:0]						MEM_FIX
		15:8	OVER_NOFIX	CPT_NOFIX[4:0]						MEM_NOFIX
		23:16								
		31:24					TYPE	HES[2:0]		
0x10	FLEXRAMECC_JER	7:0							MEM_NOFIX	MEM_FIX
		15:8								
		23:16								
		31:24								
0x14	FLEXRAMECC_IDR	7:0							MEM_NOFIX	MEM_FIX
		15:8								
		23:16								
		31:24								
0x18	FLEXRAMECC_IMR	7:0							MEM_NOFIX	MEM_FIX
		15:8								
		23:16								
		31:24								
0x1C	FLEXRAMECC_FAILA R	7:0	ADDRESS[7:0]							
		15:8	ADDRESS[15:8]							
		23:16	ADDRESS[23:16]							
		31:24	ADDRESS[31:24]							
0x20	FLEXRAMECC_FAIL DR	7:0	DATA[7:0]							
		15:8	DATA[15:8]							
		23:16	DATA[23:16]							
		31:24	DATA[31:24]							



### 15.7.1 FLEXRAMECC Control Register

**Name:** FLEXRAMECC\_CR  
**Offset:** 0x0  
**Reset:** 0x00000001  
**Property:** Read/Write

Bit	31	30	29	28	27	26	25	24
Access								
Reset								
Bit	23	22	21	20	19	18	17	16
Access								
Reset								
Bit	15	14	13	12	11	10	9	8
Access								
Reset								
Bit	7	6	5	4	3	2	1	0
Access			R/W	R/W		R/W	R/W	R/W
Reset			0	0		0	0	1
			RST_NOFIX_C PT	RST_FIX_CPT		TEST_MODE_ WR	TEST_MODE_ RD	ONE

#### Bit 5 – RST\_NOFIX\_CPT Reset the Unfixable Error Counter

This bit automatically returns to '0' once the operation is done.

Value	Description
0	No effect.
1	Resets the ECC unfixable error counter.

#### Bit 4 – RST\_FIX\_CPT Reset the Fixable Error Counter

This bit automatically returns to '0' once the operation is done.

Value	Description
0	No effect.
1	Resets the ECC fixable error counter.

#### Bit 2 – TEST\_MODE\_WR Test Mode of ECC Protection - Write Mode

Value	Description
0	Write test mode is deactivated.
1	Write test mode is activated.

#### Bit 1 – TEST\_MODE\_RD Test Mode of ECC Protection - Read Mode

Value	Description
0	Read test mode is deactivated.
1	Read test mode is activated.

#### Bit 0 – ONE Always '1'.

## 15.7.2 FLEXRAMECC Test Mode Register 1

**Name:** FLEXRAMECC\_TESTCB1

**Offset:** 0x4

**Reset:** 0x00000000

**Property:** Read/Write

Bit	31	30	29	28	27	26	25	24
Access								
Reset								
Bit	23	22	21	20	19	18	17	16
Access								
Reset								
Bit	15	14	13	12	11	10	9	8
Access								
Reset								
Bit	7	6	5	4	3	2	1	0
Access	R/W	R/W	R/W	R/W	R/W	R/W	R/W	R/W
Reset	0	0	0	0	0	0	0	0

**Bits 7:0 – TCB1[7:0]** Test Check Bit  
Check bit for test purposes.

### 15.7.3 FLEXRAMECC Status Register

**Name:** FLEXRAMECC\_SR  
**Offset:** 0xC  
**Reset:** 0x0A000000  
**Property:** Read/Write

Bit	31	30	29	28	27	26	25	24
					TYPE	HES[2:0]		
Access					R/W	R/W	R/W	R/W
Reset					1	0	1	0
Bit	23	22	21	20	19	18	17	16
Access								
Reset								
Bit	15	14	13	12	11	10	9	8
	OVER_NOFIX	CPT_NOFIX[4:0]						MEM_NOFIX
Access	R/W	R/W	R/W	R/W	R/W	R/W		R/W
Reset	0	0	0	0	0	0		0
Bit	7	6	5	4	3	2	1	0
	OVER_FIX	CPT_FIX[4:0]						MEM_FIX
Access	R/W	R/W	R/W	R/W	R/W	R/W		R/W
Reset	0	0	0	0	0	0		0

**Bit 27 – TYPE** Write or Read Access. Always '1'.

Value	Description
0	Write access.
1	Read access.

**Bits 26:24 – HES[2:0]** Hardware Error Size  
Identifies the size of the failed access.

**Bit 15 – OVER\_NOFIX** Counter Overflow

Value	Description
0	No overflow has occurred since the last read on unfixable counter.
1	An overflow has occurred since the last read on unfixable counter.

**Bits 14:10 – CPT\_NOFIX[4:0]** 5-bit Counter  
Counts the number of unfixable errors detected for one type of memory during the mission.

**Bit 8 – MEM\_NOFIX** Unfixable Error Status

Value	Description
0	No unfixable error detected.
1	An unfixable error has been detected.

**Bit 7 – OVER\_FIX** Counter Overflow

Value	Description
0	No overflow has occurred since the last read.
1	An overflow has occurred since the last read.

**Bits 6:2 – CPT\_FIX[4:0]** 5-bit Counter

Counts the number of fixable errors detected for one type of memory during the mission.

**Bit 0 – MEM\_FIX** Fixable Error Status

A fixable error has been detected.

Value	Description
0	No fixable error detected.
1	A fixable error has been detected.

### 15.7.4 FLEXRAMECC Interrupt Enable Register

**Name:** FLEXRAMECC\_IER

**Offset:** 0x10

**Reset:** -

**Property:** Write-only

The following configuration values are valid for all listed bit names of this register:

0: No effect.

1: Enables the corresponding interrupt.

Bit	31	30	29	28	27	26	25	24
Access								
Reset								
Bit	23	22	21	20	19	18	17	16
Access								
Reset								
Bit	15	14	13	12	11	10	9	8
Access								
Reset								
Bit	7	6	5	4	3	2	1	0
Access							MEM_NOFIX	MEM_FIX
Reset							W	W
							-	-

**Bit 1 - MEM\_NOFIX** Unfixable Error

**Bit 0 - MEM\_FIX** Fixable Error

### 15.7.5 FLEXRAMECC Interrupt Disable Register

**Name:** FLEXRAMECC\_IDR

**Offset:** 0x14

**Reset:** -

**Property:** Write-only

The following configuration values are valid for all listed bit names of this register:

0: No effect.

1: Disables the corresponding interrupt.

Bit	31	30	29	28	27	26	25	24
Access								
Reset								
Bit	23	22	21	20	19	18	17	16
Access								
Reset								
Bit	15	14	13	12	11	10	9	8
Access								
Reset								
Bit	7	6	5	4	3	2	1	0
Access							MEM_NOFIX	MEM_FIX
Reset							W	W
							-	-

**Bit 1 - MEM\_NOFIX** Unfixable Error

**Bit 0 - MEM\_FIX** Fixable Error

### 15.7.6 FLEXRAMECC Interrupt Mask Register

**Name:** FLEXRAMECC\_IMR

**Offset:** 0x18

**Reset:** 0x00000000

**Property:** Read-only

The following configuration values are valid for all listed bit names of this register:

0: The corresponding interrupt is disabled.

1: The corresponding interrupt is enabled.

Bit	31	30	29	28	27	26	25	24
Access								
Reset								
Bit	23	22	21	20	19	18	17	16
Access								
Reset								
Bit	15	14	13	12	11	10	9	8
Access								
Reset								
Bit	7	6	5	4	3	2	1	0
Access							MEM_NOFIX	MEM_FIX
Reset							R	R
							0	0

**Bit 1 - MEM\_NOFIX** Unfixable Error

**Bit 0 - MEM\_FIX** Fixable Error

### 15.7.7 FLEXRAMECC Fail Address Register

**Name:** FLEXRAMECC\_FAILAR

**Offset:** 0x1C

**Reset:** 0x00000000

**Property:** Read-only

Bit	31	30	29	28	27	26	25	24
	ADDRESS[31:24]							
Access	R	R	R	R	R	R	R	R
Reset	0	0	0	0	0	0	0	0
Bit	23	22	21	20	19	18	17	16
	ADDRESS[23:16]							
Access	R	R	R	R	R	R	R	R
Reset	0	0	0	0	0	0	0	0
Bit	15	14	13	12	11	10	9	8
	ADDRESS[15:8]							
Access	R	R	R	R	R	R	R	R
Reset	0	0	0	0	0	0	0	0
Bit	7	6	5	4	3	2	1	0
	ADDRESS[7:0]							
Access	R	R	R	R	R	R	R	R
Reset	0	0	0	0	0	0	0	0

#### Bits 31:0 – ADDRESS[31:0] Address of the Error Detected

The address of the faulty data detected when a fixable or unfixable error occurs.



### 15.7.8 FLEXRAMECC Fail Data Register

**Name:** FLEXRAMECC\_FAILDR  
**Offset:** 0x20  
**Reset:** 0x00000000  
**Property:** Read-only

Bit	31	30	29	28	27	26	25	24
	DATA[31:24]							
Access	R	R	R	R	R	R	R	R
Reset	0	0	0	0	0	0	0	0
Bit	23	22	21	20	19	18	17	16
	DATA[23:16]							
Access	R	R	R	R	R	R	R	R
Reset	0	0	0	0	0	0	0	0
Bit	15	14	13	12	11	10	9	8
	DATA[15:8]							
Access	R	R	R	R	R	R	R	R
Reset	0	0	0	0	0	0	0	0
Bit	7	6	5	4	3	2	1	0
	DATA[7:0]							
Access	R	R	R	R	R	R	R	R
Reset	0	0	0	0	0	0	0	0

#### Bits 31:0 – DATA[31:0] Data Error

The faulty data is stored in this register when a fixable or unfixable error occurs.

## 16. Debug and Test Features

### 16.1 Description

The device features a number of complementary debug and test capabilities. The Serial Wire Debug Port (SW-DP) is used for standard debugging functions, such as downloading code and single-stepping through programs. It also embeds a serial wire trace.

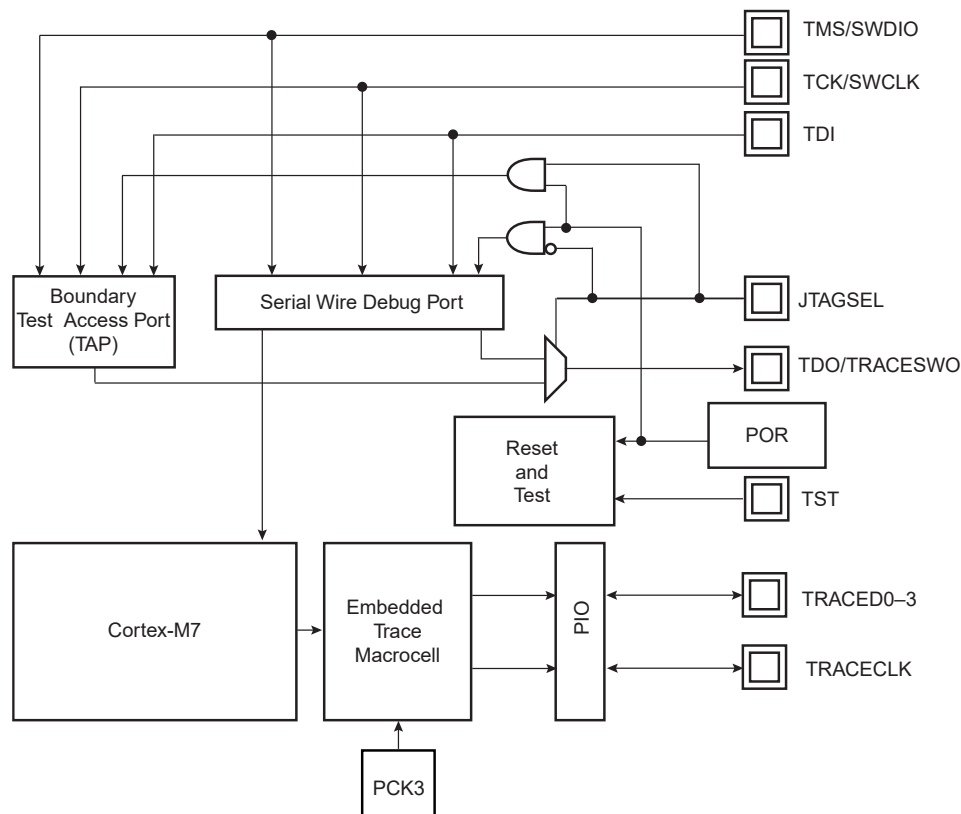
### 16.2 Associated Documents

The device implements the standard Arm CoreSight macrocell. For detailed information on CoreSight, refer to the following documents which are available at [www.arm.com/](http://www.arm.com/):

- Cortex-M7 User Guide Reference Manual (ARM DUI 0646B)
- Cortex-M7 Technical Reference Manual (ARM DDI 0489D)
- CoreSight Technology System Design Guide (ARM DGI 0012)
- CoreSight Components Technical Reference Manual (ARM DDI 0314)
- Arm Debug Interface v5 Architecture Specification (Doc. ARM IHI 0031)
- ARMv7-M Architecture Reference Manual (ARM DDI 0403E)

### 16.3 Debug and Test Block Diagram

Figure 16-1. Debug and Test Block Diagram



## 16.4 Debug and Test Pin Description

Table 16-1. Debug and Test Signal List

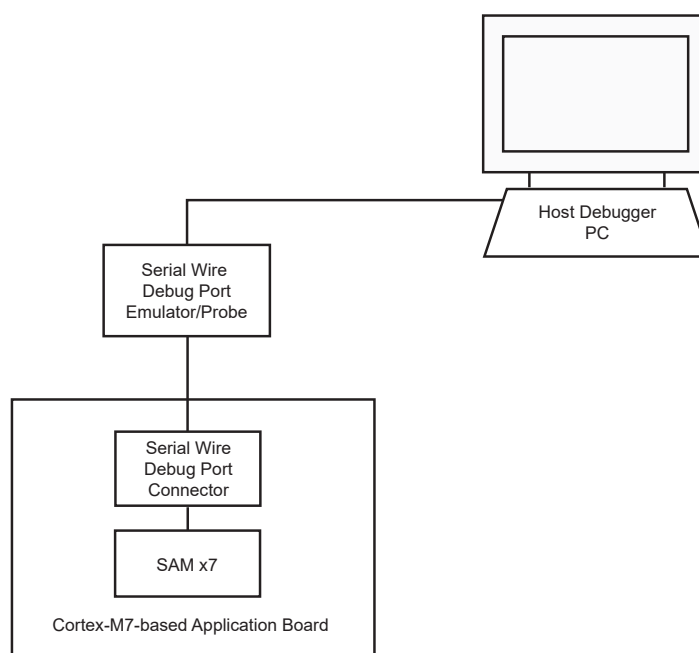
Signal Name	Function	Type	Active Level
<b>Reset/Test</b>			
NRST	Microcontroller Reset	Input	Low
TST	Test Select	Input	-
<b>Serial Wire Debug Port/JTAG Boundary Scan</b>			
TCK/SWCLK	Test Clock/Serial Wire Clock	Input	-
TDI	Test Data In	Input	-
TDO/TRACESWO	Test Data Out/Trace Asynchronous Data Out	Output	-
TMS/SWDIO	Test Mode Select/Serial Wire Input/Output	Input	-
JTAGSEL	JTAG Selection	Input	High
<b>Trace Debug Port</b>			
TRACECLK	Trace Clock	Output	-
TRACED0-3	Trace Data	Output	-

## 16.5 Application Examples

### 16.5.1 Debug Environment

The figure below shows a complete debug environment example. The SW-DP interface is used for standard debugging functions, such as downloading code and single-stepping through the program and viewing core and peripheral registers.

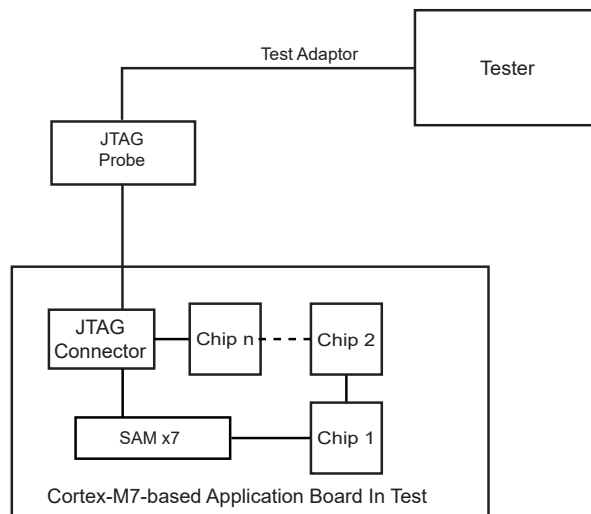
Figure 16-2. Application Debug Environment Example



### 16.5.2 Test Environment

The figure below shows a test environment example (JTAG Boundary scan). Test vectors are sent and interpreted by the tester. In this example, the “board in test” is designed using a number of JTAG-compliant devices. These devices can be connected to form a single scan chain.

Figure 16-3. Application Test Environment Example



## 16.6 Functional Description

### 16.6.1 Test Pin

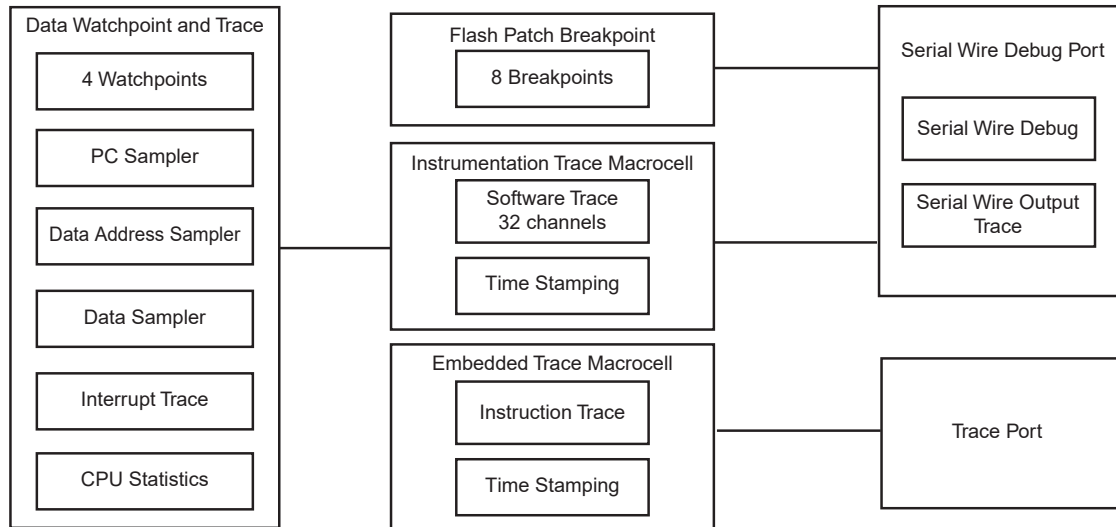
The TST pin is used for JTAG Boundary Scan Manufacturing Test or Fast Flash Programming mode. The TST pin integrates a permanent pull-down resistor of about 10 k $\Omega$  to GND, so that it can be left unconnected for normal operations.

### 16.6.2 Debug Architecture

The figure below shows the debug architecture used. The Cortex-M7 embeds six functional units for debug:

- Serial Wire Debug Port (SW-DP) debug access
- FPB (Flash Patch Breakpoint), (no FP\_REMAP register supported in Cortex-M7)
- DWT (Data Watchpoint and Trace)
- ITM (Instrumentation Trace Macrocell)
- 6-pin Embedded Trace Macrocell (ETM) for instruction trace stream, including CoreSight Trace Port Interface Unit (TPIU)
- IEEE1149.1 JTAG Boundary scan on all digital pins

The debug architecture information that follows is mainly dedicated to developers of SW-DP Emulators/Probes and debugging tool vendors for Cortex-M7-based microcontrollers. For further details on SW-DP, refer to the Cortex-M7 Technical Reference Manual.

**Figure 16-4.** Debug Architecture

### 16.6.3 Serial Wire Debug Port (SW-DP) Pins

The SW-DP pins SWCLK and SWDIO are commonly provided on a standard 20-pin JTAG connector defined by Arm. For more details on voltage reference and Reset state, refer to “[Signal Description List](#)”.

At start-up, SW-DP pins are configured in SW-DP mode to allow connection with debugging probe.

**Note:** For the final application, SWDIO and SWCLK must be connected to an external pull down to avoid having floating signals.

SW-DP pins can be used as standard I/Os to provide users more general input/output pins when the debug port is not needed in the end application. Mode selection between SW-DP mode (System I/O mode) and general I/O mode is performed through the PIO Controller. Configuration of the pad for pull-up, triggers, debouncing and glitch filters is possible regardless of the mode.

The JTAGSEL pin is used to select the JTAG boundary scan when asserted at a high level. It integrates a permanent pull-down resistor of about 10 kΩ to GND, so that it can be left unconnected for normal operations.

The JTAG debug ports TDI, TDO, TMS, and TCK are inactive. They are provided for Boundary Scan Manufacturing Test purposes only. By default the SW-DP is active; TDO/TRACESWO can be used for trace.

**Table 16-2.** SW-DP Pin List

Pin Name	JTAG Boundary Scan	Serial Wire Debug Port
TMS/SWDIO	TMS	SWDIO
TCK/SWCLK	TCK	SWCLK
TDI	TDI	-
TDO/TRACESWO	TDO	TRACESWO (optional: ITM trace)

SW-DP is selected when JTAGSEL is low. It is not possible to switch directly between SW-DP and JTAG boundary scan operations. A chip reset must be performed after JTAGSEL is changed.

**Note:** When not in use, the debugger signals are either pull up or pull down to avoid having floating signals.

#### 16.6.4 Embedded Trace Module (ETM) Pins

The Embedded Trace Module (ETM) uses the Trace Port Interface Unit (TPIU) to export data out of the system.

The TPIU features these pins:

- TRACECLK – Always exported to enable synchronization back with the data. PCK3 is used internally.
- TRACED0–3 – The instruction trace stream.

#### 16.6.5 Flash Patch Breakpoint (FPB)

The FPB implements hardware breakpoints. No Flash patching is available in the Cortex-M7.

#### 16.6.6 Data Watchpoint and Trace (DWT)

The DWT contains four comparators which can be configured to generate:

- PC sampling packets at set intervals
- PC or Data watchpoint packets
- Watchpoint event to halt core

The DWT contains counters for:

- Clock cycle (CYCCNT)
- Folded instructions
- Load Store Unit (LSU) operations
- CPI (all instruction cycles except for the first cycle)
- Interrupt overhead

#### 16.6.7 Instrumentation Trace Macrocell (ITM)

The ITM is an application driven trace source that supports printf style debugging to trace Operating System (OS) and application events, and emits diagnostic system information. The ITM emits trace information as packets which can be generated by three different sources with several priority levels:

- Software trace: Software can write directly to ITM stimulus registers. This can be done using the “printf” function. For more information, see [Flash Patch Breakpoint \(FPB\)](#).
- Hardware trace: The ITM emits packets generated by the DWT.
- Timestamping: Timestamps are emitted relative to packets. The ITM contains a 21-bit counter to generate the timestamp.

##### 16.6.7.1 How to Configure the ITM

The following example describes how to output trace data in asynchronous trace mode.

1. Configure the TPIU for asynchronous trace mode. See [How to Configure the TPIU](#).
2. Enable the write accesses into the ITM registers by writing “0xC5ACCE55” into the Lock Access Register (Address: 0xE0000FB0)
3. Write 0x00010015 into the Trace Control register:
  - Enable ITM.
  - Enable Synchronization packets.
  - Enable SWO behavior.
  - Fix the ATB ID to 1.
4. Write 0x1 into the Trace Enable register:

- Enable the Stimulus port 0.
- 5. Write 0x1 into the Trace Privilege register:
  - Stimulus port 0 only accessed in privileged mode (Clearing a bit in this register will result in the corresponding stimulus port being accessible in user mode.)
- 6. Write into the Stimulus port 0 register: TPIU (Trace Port Interface Unit)  
The TPIU acts as a bridge between the on-chip trace data and the Instruction Trace Macrocell (ITM).  
The TPIU formats and transmits trace data off-chip at frequencies asynchronous to the core.

### 16.6.7.2 Asynchronous Mode

The TPIU is configured in Asynchronous mode, trace data are output using the single TRACESWO pin. The TRACESWO signal is multiplexed with the TDO signal. As a consequence, asynchronous trace mode is only available when the Serial Wire Debug mode is selected.

Two encoding formats are available for the single pin output:

- Manchester encoded stream. This is the reset value.
- NRZ\_based UART byte structure

### 16.6.7.3 How to Configure the TPIU

This example only concerns the asynchronous trace mode.

1. Set the TRCENA bit to 1 into the Debug Exception and Monitor Register (0xE000EDFC) to enable the use of trace and debug blocks.
2. Write 0x2 into the Selected Pin Protocol Register.
  - Select the Serial Wire output – NRZ
3. Write 0x100 into the Formatter and Flush Control Register.
4. Set the suitable clock prescaler value into the Async Clock Prescaler Register to scale the baud rate of the asynchronous output (this can be done automatically by the debugging tool).

## 16.6.8 IEEE1149.1 JTAG Boundary Scan

IEEE1149.1 JTAG Boundary Scan allows pin-level access independent of the device packaging technology.

IEEE1149.1 JTAG Boundary Scan is enabled when TST is tied to low and JTAGSEL tied to high during power-up. These pins must be maintained in their respective states for the duration of the boundary scan operation. The SAMPLE, EXTEST and BYPASS functions are implemented. In Serial Wire Debug mode, the Arm processor responds with a non-JTAG chip ID that identifies the processor. This is not IEEE1149.1 JTAG-compliant.

It is not possible to switch directly between JTAG Boundary Scan and SWJ Debug Port operations. A chip reset must be performed after JTAGSEL is changed.

A Boundary Scan Descriptor Language (BSDL) file to set up the test is provided on [www.microchip.com](http://www.microchip.com).

### 16.6.8.1 JTAG Boundary Scan Register

The Boundary Scan Register (BSR) contains a number of bits which correspond to active pins and associated control signals.

Each input/output pin corresponds to a 3-bit register in the BSR. The OUTPUT bit contains data that can be forced on the pad. The INPUT bit facilitates the observability of data applied to the pad. The CONTROL bit selects the direction of the pad.

For more information, refer to BSDL files available on [www.microchip.com](http://www.microchip.com).

## 16.6.9 ID Code Register

**Name:** ID Code Register

**Property:** Read-only

Bit	31	30	29	28	27	26	25	24
	VERSION[3:0]				PART NUMBER[15:12]			
Access	R	R	R	R	R	R	R	R
Reset								
Bit	23	22	21	20	19	18	17	16
	PART NUMBER[11:4]							
Access	R	R	R	R	R	R	R	R
Reset								
Bit	15	14	13	12	11	10	9	8
	PART NUMBER[3:0]				MANUFACTURER IDENTITY[10:7]			
Access	R	R	R	R	R	R	R	R
Reset								
Bit	7	6	5	4	3	2	1	0
	MANUFACTURER IDENTITY[6:0]							Bit [0]=1
Access	R	R	R	R	R	R	R	R
Reset								

**Bits 31:28 – VERSION[3:0]** Product Version Number

Set to 0x0.

**Bits 27:12 – PART NUMBER[15:0]** Product Part Number

**PART NUMBER**

0x5D06

**Bits 11:1 – MANUFACTURER IDENTITY[10:0]**

Set to 0x01F.

**Bit 0 – Bit [0]=1** Required by IEEE Std. 1149.1

Set to 0x1.

**JTAG ID Code**

0x05D0\_603F



## 17. Bus Matrix (MATRIX)

### 17.1 Description

The Bus Matrix (MATRIX) implements a multi-layer AHB, based on the AHB-Lite protocol, that enables parallel access paths between multiple masters and slaves in a system, thus increasing the overall bandwidth.

The MATRIX interconnects up to 16 masters up to 16 slaves. The normal latency to connect a master to a slave is one cycle, except the default master of the accessed slave which is connected directly (zero cycle latency).

The MATRIX user interface is compliant with the ARM Advanced Peripheral Bus.

#### 17.1.1 Matrix Masters

**Table 17-1.** List of Bus Matrix Masters

Master	Port
Master 0	Cortex-M7 Port 0
Master 1	Cortex-M7 Port 1
Master 2	Cortex-M7 Peripheral Port (AHBP)
Master 3	XDMAC Port 0
Master 4	CAN0 DMA
Master 5	CAN1 DMA
Master 6	XDMAC Port 1
Master 7	SPW Master 0-TX
Master 8	SPW Master 1-RX
Master 9	SPW Master 2-RMAP
Master 10	IP1553
Master 11	ICM
Master 12	CRCCU

#### 17.1.2 Matrix Slaves

**Table 17-2.** List of Bus Matrix Slaves

Slave 0	FlexRAM
Slave 1	FlexRAM
Slave 2	HEFC
Slave 3	HEMC
Slave 4	ROM
Slave 5	Peripheral Bridge
Slave 6	AHB Slave
Slave 7	FlexRAM
slave 8	ADC

#### 17.1.3 Master to Slave Access

All the Masters can normally access all the Slaves. However, some paths do not make sense. Thus, these paths are forbidden or simply not wired, and shown as “-” in the following table.

**Table 17-3. Master to Slave Access**

		Master 0	Master 1	Master 2	Master 3	Master 4	Master 5	Master 6	Master 7	Master 8	Master 9	Master 10	Master 11	Master 12
		Cortex-M7 Port 0	Cortex-M7 Port 1	Cortex-M7 Peripheral Port (AHBP)	XDMAC Port 0	CAN0 DMA	CAN1 DMA	XDMAC Port 1	SPW M0-TX	SPW M1-RX	SPW M2-RMAP	IP1553	ICM	CRCCU
Slave 0	FlexRAM	-	-	-	X	X	-	-	X	-	-	X	-	-
Slave 1	FlexRAM	-	-	-	-	-	X	X	-	-	X	-	-	-
Slave 2	HEFC	X	-	-	X	-	-	-	X	-	X	X	X	X
Slave 3	HEMC	X	-	-	-	X	X	X	X	X	X	X	X	X
Slave 4	ROM	X	-	-	-	-	-	-	-	-	-	-	-	-
Slave 5	Peripheral Bridge	-	X	X	X	-	-	-	-	-	X	-	-	X
Slave 6	AHB Slave	-	-	-	X	X	X	X	X	X	X	X	X	X
Slave 7	FlexRAM	-	-	-	-	-	-	-	-	X	-	-	X	X
Slave 8	ADC	-	X	X	X	-	-	-	-	-	X	-	-	-

## 17.2 Embedded Characteristics

- AMBA Advanced High-performance Bus (AHB Lite) Compliant Interfaces
- 32-bit Data Bus
- APB-Compliant User Interface
- Thirteen Masters
- Eight Slaves
- One Decoder for Each Master
- Several Possible Boot Memories for Each Master before Remap
- One Remap Function for Each Master
- Support for Long Bursts of 32, 64, 128 and Up to the 256-beat Word Burst AHB Limit
- Enhanced Programmable Mixed Arbitration for Each Slave
  - Round-Robin
  - Fixed Priority
  - Latency Quality of Service
- Programmable Default Master for Each Slave
  - No Default Master
  - Last Accessed Default Master
  - Fixed Default Master
- Deterministic Maximum Access Latency for Masters
- Zero or One Cycle Arbitration Latency for the First Access of a Burst
- Bus Lock Forwarding to Slaves
- Master Number Forwarding to Slaves

- One Special Function Register for Each Slave (Not dedicated)
- Register Write Protection Write Protection of User Interface Registers
- User/Privilege Protection

### 17.3 Memory Mapping

The Bus Matrix provides one decoder for every AHB master interface. The decoder offers each AHB master several memory mappings. Each memory area may be assigned to several slaves. Booting at the same address while using different AHB slaves (i.e., external RAM, internal Flash, etc.) becomes possible.

The Bus Matrix user interface provides the Master Remap Control Register (MATRIX\_MRCCR) that performs the remap action for every master independently.

### 17.4 Special Bus Granting Techniques

The MATRIX provides some speculative bus granting techniques in order to anticipate access requests from masters. Hence, latency is reduced at first access of a burst or, for a single transfer, as long as the slave is free from any other master access. It does not provide any benefit if the slave is continuously accessed by more than one master, since arbitration is pipelined and has no negative effect on the slave bandwidth or access latency.

This bus granting technique sets a different default master for every slave.

At the end of the current access, if no other request is pending, the slave remains connected to its associated default master. A slave can be associated with three kinds of default masters:

- No default master
- Last access master
- Fixed default master

To change from one type of default master to another, the user interface provides Slave Configuration registers (MATRIX\_SCFGx), one for every slave, which set a default master for each slave. MATRIX\_SCFGx contain two fields to manage master selection: DEFMSTR\_TYPE and FIXED\_DEFMSTR. The 2-bit DEFMSTR\_TYPE field selects the default master type (no default, last access master, fixed default master), whereas the 4-bit FIXED\_DEFMSTR field selects a fixed default master provided that DEFMSTR\_TYPE is set to fixed default master. See section [17.11.3. MATRIX\\_SCFG0](#).

### 17.5 No Default Master

After the end of the current access, if no other request is pending, the slave is disconnected from all masters.

This configuration incurs one latency clock cycle for the first access of a burst after bus Idle. Arbitration without default master may be used for masters that perform significant bursts or several transfers with no Idle cycle in-between, or if the slave bus bandwidth is widely used by one or more masters.

This configuration provides no benefit on access latency or bandwidth when reaching maximum slave bus throughput whatever the number of requesting masters.

### 17.6 Last Access Master

After the end of the current access, if no other request is pending, the slave remains connected to the last master that performed an access request.

This enables the MATRIX to remove the one latency cycle for the last master that accessed the slave. Other non-privileged masters still get one latency clock cycle if they need to access the same slave. This technique is useful for masters that mainly perform single accesses or short bursts with some Idle cycles in-between.

This configuration provides no benefit on access latency or bandwidth when reaching maximum slave bus throughput whatever is the number of requesting masters.

## 17.7 Fixed Default Master

After the end of the current access, if no other request is pending, the slave connects to its fixed default master. Unlike the last access master, the fixed default master does not change unless the user modifies it by software (FIXED\_DEFMSTR field of the related MATRIX\_SCFG).

This allows the MATRIX arbiters to remove the one latency clock cycle for the fixed default master of the slave. All requests attempted by the fixed default master do not cause any arbitration latency, whereas other non-privileged masters get one latency cycle. This technique is useful for a master that mainly performs single accesses or short bursts with Idle cycles in-between.

This configuration provides no benefit on access latency or bandwidth when reaching maximum slave bus throughput, regardless of the number of requesting masters.

## 17.8 Arbitration

The MATRIX provides an arbitration technique that reduces latency when conflicts occur, i.e., when two or more masters try to access the same slave at the same time. One arbiter per slave is provided, thus arbitrating each slave specifically.

The user can either choose one of the following arbitration types, or mix them for each slave:

1. Round-robin Arbitration (default)
2. Fixed Priority Arbitration

The resulting algorithm may be complemented by selecting a default master configuration for each slave.

When re-arbitration must be done, specific conditions apply. See section [17.8.1. Arbitration Scheduling](#).

### 17.8.1 Arbitration Scheduling

Each arbiter has the ability to arbitrate between two or more different master requests. In order to avoid burst breaking as well as to provide the maximum throughput for slave interfaces, arbitration may only take place during the following cycles:

- Idle Cycles: When a slave is not connected to any master or is connected to a master which is not currently accessing it.
- Single Cycles: When a slave is currently doing a single access.
- End of Burst Cycles: When the current cycle is the last cycle of a burst transfer. For defined length burst, predicted end of burst matches the size of the transfer but is managed differently for undefined length burst. See section [17.8.1.1. Undefined Length Burst Arbitration](#).
- Slot Cycle Limit: When the slot cycle counter has reached the limit value indicating that the current master access is too long and must be broken. See section [17.8.1.2. Slot Cycle Limit Arbitration](#).

#### 17.8.1.1 Undefined Length Burst Arbitration

In order to prevent long burst lengths that can lock the access to the slave for an excessive period of time, the user can trigger the re-arbitration before the end of the incremental bursts. The re-arbitration period can be selected from the following Undefined Length Burst Type (ULBT) possibilities:

- Unlimited: no predetermined end of burst is generated. This value enables 1 Kbyte burst lengths.
- 1-beat bursts: predetermined end of burst is generated at each single transfer during the INCR transfer.

- 4-beat bursts: predetermined end of burst is generated at the end of each 4-beat boundary during INCR transfer.
- 8-beat bursts: predetermined end of burst is generated at the end of each 8-beat boundary during INCR transfer.
- 16-beat bursts: predetermined end of burst is generated at the end of each 16-beat boundary during INCR transfer.
- 32-beat bursts: predetermined end of burst is generated at the end of each 32-beat boundary during INCR transfer.
- 64-beat bursts: predetermined end of burst is generated at the end of each 64-beat boundary during INCR transfer.
- 128-beat bursts: predetermined end of burst is generated at the end of each 128-beat boundary during INCR transfer.

The use of undefined length 8-beat bursts, or less, is discouraged since this may decrease the overall bus bandwidth due to arbitration and slave latencies at each first access of a burst.

Undefined-length bursts lower than 8 beats should not be used since this may decrease the overall bus bandwidth due to arbitration and slave latencies at each first access of a burst.

However, if the length of undefined-length bursts is known for a master, it is recommended to configure MATRIX\_MCFG.ULBT accordingly.

### 17.8.1.2 Slot Cycle Limit Arbitration

The MATRIX contains specific logic to break long accesses, such as very long bursts on a very slow slave (e.g., an external low speed memory). At each arbitration time, a counter is loaded with the value previously written in MATRIX\_SCFGx.SLOT\_CYCLE and decreased at each clock cycle. When the counter elapses, the arbiter has the ability to re-arbitrate at the end of the current system bus access cycle.

Unless a master has a very tight access latency constraint, which could lead to data overflow or underflow due to a badly undersized internal FIFO with respect to its throughput, the Slot Cycle Limit should be disabled (SLOT\_CYCLE = 0) or set to its default maximum value in order not to inefficiently break long bursts performed by some masters.

In most cases, this feature is not needed and should be disabled for power saving.



This feature cannot prevent any slave from locking its access indefinitely.

### 17.8.2 Arbitration Priority Scheme

The MATRIX arbitration scheme is organized in priority pools, each corresponding to an access criticality class as shown in the “Latency Quality of Service” column in the table below. When the Latency Quality of Service is enabled for a master-slave pair through the MATRIX, the priority pool number to use for arbitration at the slave port is determined from the master. When the Latency Quality of Service is disabled, it is determined through the MATRIX user interface. See [17.11.13. MATRIX\\_PRAS0](#).

After reset, the Latency Quality of Service is enabled by default on all of the master ports that are connected to a master driving the Latency Quality of Service signals, as shown in the bit LQOSEN of [17.11.13. MATRIX\\_PRAS0](#) and [17.11.14. MATRIX\\_PRBS0](#).

**Table 17-4.** Arbitration Priority Pools

Priority Pool	Latency Quality of Service
3	Latency Critical

.....continued

Priority Pool	Latency Quality of Service
2	Latency Sensitive
1	Bandwidth Sensitive
0	Background Transfers

Round-robin priority is used in the highest and lowest priority pools 3 and 0, whereas fixed level priority is used between priority pools and in the intermediate priority pools 2 and 1.

For each slave, each master is assigned to one of the slave priority pools based on the Latency Quality of Service inputs or to the priority registers for slaves (MxPR fields of MATRIX\_PRAS and MATRIX\_PRBS). When evaluating master requests, this priority pool level always takes precedence.

After reset, most of the masters belong to the lowest priority pool (MxPR = 0, Background Transfer) and are therefore granted bus access in a true round-robin order.

The highest priority pool must be specifically reserved for masters requiring very low access latency. If more than one master belongs to this pool, those masters are granted bus access in a biased round-robin manner which enables tight and deterministic maximum access latency from system bus requests. In the worst case, any currently occurring high-priority master request is granted after the current bus master access has ended and any other high priority pool master requests have been granted once each.

The lowest priority pool shares the remaining bus bandwidth between masters.

Intermediate priority pools enable fine priority tuning. Typically, a latency-sensitive master or a bandwidth-sensitive master use such a priority level. The higher the priority level (MxPR value), the higher the master priority.

For good CPU performance, it is recommended to let the CPU priority configured with the default reset value 2 (Latency Sensitive).

All combinations of MxPR values are allowed for all masters and slaves. For example, some masters might be assigned the highest priority pool (round-robin), and remaining masters the lowest priority pool (round-robin), with no master for intermediate fixed priority levels.

### 17.8.2.1 Round-Robin Arbitration

This algorithm is only used in the highest and lowest priority pools. It allows the MATRIX arbiters to properly dispatch requests from different masters to the same slave. If two or more master requests are active at the same time in the priority pool, they are serviced in a round-robin increasing master number order.

### 17.8.2.2 Fixed Priority Arbitration

The fixed priority arbitration algorithm is the first and only arbitration algorithm applied between masters from distinct priority pools. It is also used in priority pools other than the highest and lowest priority pools (intermediate priority pools).

Fixed priority arbitration enables the MATRIX arbiters to dispatch the requests from different masters to the same slave by using the fixed priority defined by the user in the MxPR field for each master in the registers, MATRIX\_PRAS and MATRIX\_PRBS. If two or more master requests are active at the same time, the master with the highest priority MxPR number is serviced first.

In intermediate priority pools, if two or more master requests with the same priority are active at the same time, the master with the highest number is serviced first.

## 17.9 Register Write Protection

To prevent any single software error from corrupting MATRIX behavior, certain registers in the address space can be write-protected by setting the WPEN bit in the Write Protection Mode register (MATRIX\_WPMR).

If a write access to a write-protected register is detected, the WPVS flag in the Write Protection Status register (MATRIX\_WPSR) is set and the field WPVSRC indicates the register in which the write access has been attempted.

The WPVS flag is reset by writing the MATRIX\_WPMR with the appropriate access key WPKEY.

The registers listed below can be write-protected.

## 17.10 Privilege Protection of AHB and APB

User/Privilege protection is supported through the filtering of each slave access with the master User/Privilege protection bit.

The Protection Unit adds the ability to manage the access rights for Privilege and User accesses. The access rights are defined through the hardware and software configuration of the device. The operating mode is the following:

- The Bus Masters transmit requests with the Privilege or User access right.
- The MATRIX, according to its configuration and the request, grants or denies the access.

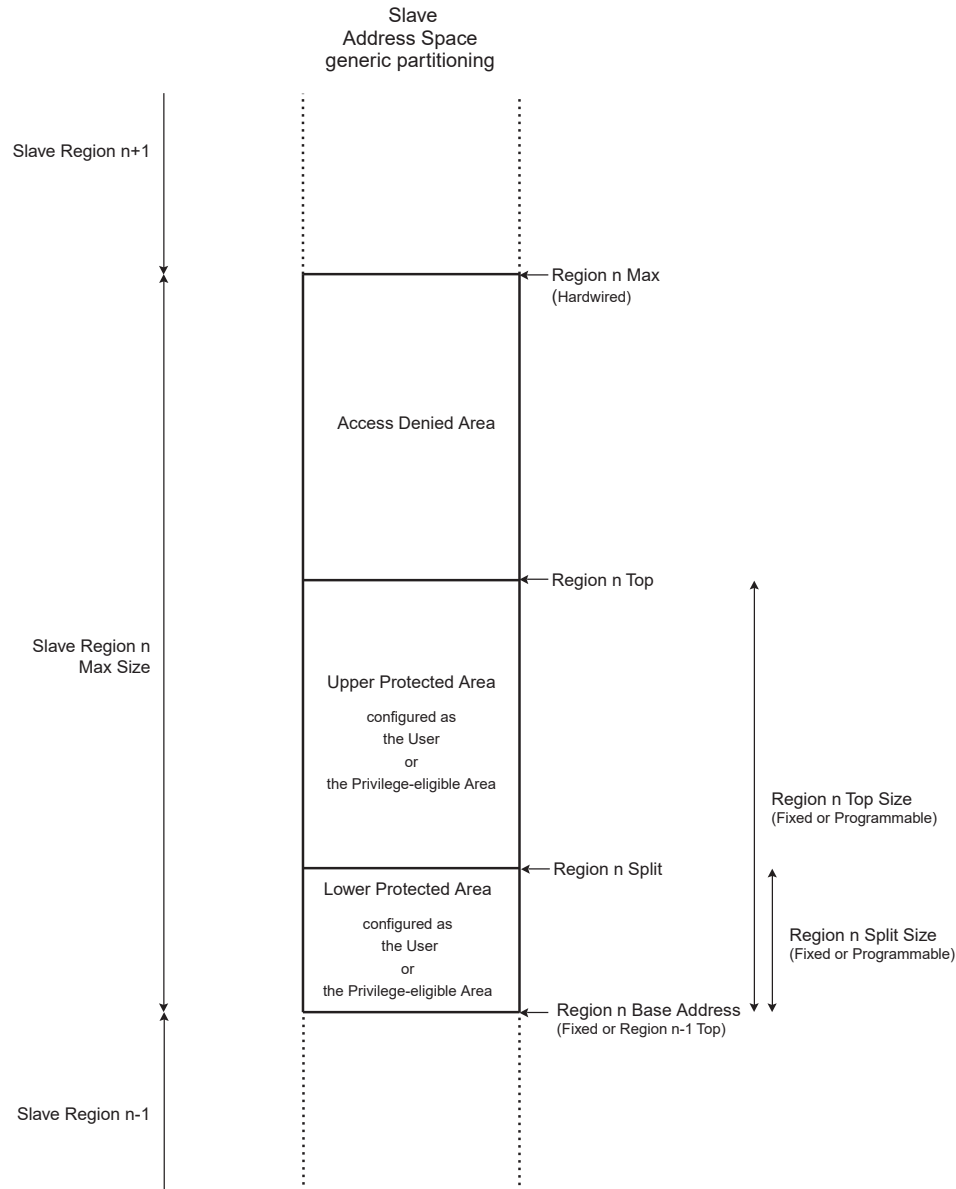
The slave address space is divided into one or more slave regions. The slave regions are generally contiguous parts of the slave address space. The slave region is potentially split into an access denied area (upper part) and a protected region which can be split (lower part), unless the slave-protected region occupies the whole slave region. The protected region itself may or may not be split into one Privilege-eligible area and one User area. The Privilege-eligible area may be independently Privileged for read access and for write access.

For one slave region, the following characteristics are configured by hardware or software:

- Base Address of the slave region
- The Max Size of the slave region—a maximum size for the region's physical content
- The Top Size of the slave-protected region—the actually programmed or fixed size for the region's physical content
- The Split Size of the slave-protected region—the size of one of the two protected areas of the region
- Whether Split Size is defined downward from the top of the protected region, or upward from its base address

The following figure shows how the terms defined here are implemented in a Slave address space.

**Figure 17-1. Generic Partitioning of the Slave Address Space**



A set of MATRIX protection registers are used to specify, for each slave, slave-protected region or slave-protected area, the protection mode required for accessing this slave, slave-protected region or slave-protected area. See [17.11.41. MATRIX\\_PSR0](#), [17.11.50. MATRIX\\_PASSR0](#) and [17.11.60. MATRIX\\_PRTSRx](#).

Additional MATRIX protection registers are used to specify, for each peripheral bus slave, the protection mode required for accessing this slave (see [17.11.61. MATRIX\\_PPSELR0](#)).

The MATRIX registers can only be accessed in Privileged mode.

The MATRIX propagates the protection bit down to the slaves to let them perform additional protection checks, and the MATRIX itself allows or denies the access to the slaves via its embedded protection unit.

Access violations may be reported either by a slave through the bus error response (example from the system-to-peripheral bus (AHB/APB Bridge)), or by the MATRIX embedded protection unit. In both cases, a bus error response is sent to the offending master and the error is flagged in the



**Master Error Status Register.** An interrupt can be sent if it has been enabled for that master by writing into the **Master Error Interrupt Enable Register**. Thus, the offending master is identified. The offending address is registered in the **17.11.38. MATRIX\_MEARx**, so that the slave and the targeted protected region are also known.

Depending on the hardware parameters and software configuration, the address space of each slave-protected region may or may not be split into two parts: one User and one Privileged.

Five different protection types of slaves are supported. The number of protected regions is set by design for each slave, independently, from 1 to 8, totaling from 1 up to 16 protected areas for each protection-configurable slave.

## 17.10.1 Protection Types of System Bus Slaves

### 17.10.1.1 Principles

The MATRIX supports five different protection types of slaves: two fixed types and three configurable types. The protection type of an AHB slave is set at hardware design among the following:

- Always User
- Always Privileged
- Internal Protected
- External Protected
- Scalable Protected

The protection type is set at hardware design on a per-master and a per-slave basis. Always User and Always Privilege protection types are not software-configurable.

The different protection types have the following characteristics:

- **Always User** slaves have no access right restriction. Their address space is precisely set by design. Any out-of-address range access is denied and reported.
- **Always Privilege** slaves can only be accessed by a Privileged master request. Their address space is precisely set by design. Any User access or out-of-address range access is denied and reported.
- **Internal Protected** type is intended for internal memories such as RAM, ROM or embedded Flash. The Internal Protected slave has one or several slave regions, and each has a hardware-fixed base address and Protected Region Top. Each slave region may be split through software configuration into one User area plus one Privilege-eligible area. Inside each slave-protected region, the split boundary is programmable in powers of 2 from 4 Kbytes up to the full slave-protected region address space. The protected area located below the split boundary may be configured as the User or the Privilege-eligible one. The Privilege-eligible area may be independently configured as Read User and/or Write Privileged. Any access with access right or address range violation is denied and reported.
- **External Protected** type is intended for external memories on the EBI, such as DDR, SDRAM or external ROM. The External Protected slave has identical features as the Internal Protected slave, plus the ability to configure each of its slave-protected region address space sizes according to the external memory parts used. This avoids mirroring Privileged areas into User areas, and further restricts the overall accessible address range. Any access with access right violation or configured address range violation is denied and reported.
- **Scalable Protected** type is intended for external memories with a dedicated slave, such as DDR. The Scalable Protected slave is divided into a fixed number of scalable, equally sized, and contiguous protected regions. Each of them can be split in the same way as for Internal or External Protected slaves. The protected region size must be configured by software, so that the equally-sized regions fill the actual available memory. This avoids mirroring Privileged areas into

User areas, and further restricts the overall accessible address range. Any access with access right violation or configured address range violation is denied and reported.

As the protection type is set at hardware design on a per-master and per-slave basis, it is possible to set some slave access protection as configurable from one or some particular masters, and to set the access as Always Privileged from all the other masters.

As the protection type is set by design at the slave region level, different protected region types can be mixed inside a single slave.

Similarly, the mapping base address and the accessible address range of each slave or slave region may have been hardware-restricted on a per-master basis from no access to full slave address space.

For more information on slave protection types, see [8.3. FlexProtect Configuration](#)

**Note:**

1. The HEMC embeds its own protection unit. See section [30. Hardened External Memory Controller \(HEMC\)](#) for details.

**17.10.1.2 Examples**

**Note:** The following examples are generic and not product-specific. They illustrate in a general manner the operation of the protection functionality.

The table below shows an example of Protection Type settings. This example is constructed with the following characteristics:

- Slave0 is an Internal Memory containing 1 region:
  - The Access from Master0 to Slave0 is Always User
  - The Access from Master1 and Master2 to Slave0 is Internal Protected with 1 region and with the same Software Configuration (Choice of SPLIT0 and the Protection Configuration bits LAUSERH, RDUSERH, WRUSERH).
- Slave1 is an EBI containing 2 regions:
  - The Access from Master1 to Slave1 is Always User
  - The Access from Master0 and Master2 to Slave1 is External Protected with 2 regions and with the same Software Configuration (Choice of TOP0, TOP1, SPLIT0, SPLIT1 and the Protection Configuration bits LAUSERH, RDUSERH, WRUSERH).

**Table 17-5. Protection Type Setting Example**

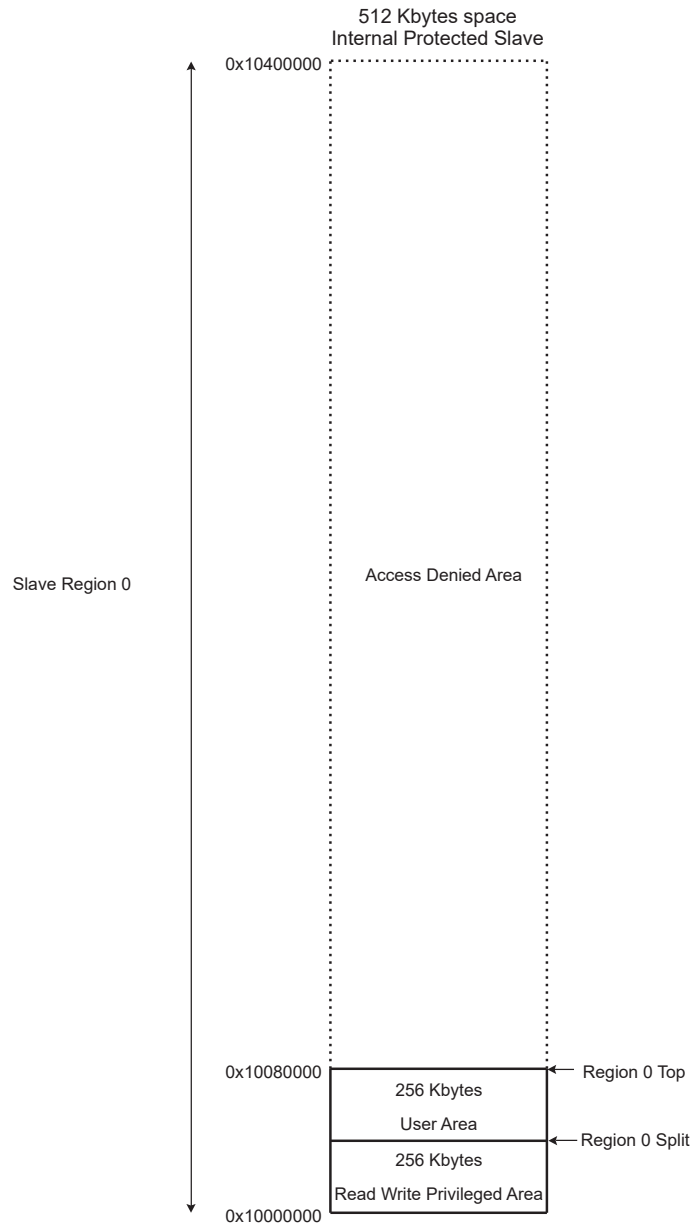
Slave	Master0	Master1	Master2
Slave0 Internal Memory	Always User	Internal Protected 1 Region	Internal Protected 1 Region
Slave1 EBI	External Protected 2 Regions	Always Privileged	External Protected 2 Regions

The following figure shows an Internal Protected slave example. This example is based on the following hypothesis:

- The slave is an Internal Memory containing 1 region. The Slave region Max Size is 4 Mbytes.
- The slave region 0 base address equals 0x10 000 000. Its Top Size is 512 Kbytes (hardware configuration).
- The slave software configuration is as follows:
  - SPLIT0 is set to 256 Kbytes.
  - LAUSERH0 is set to 0, the low area of region 0 is the Privilege-eligible one.
  - RDUSERH0 is set to 0, region 0 Privilege-eligible area is Privileged for reads.

- WRUSERH0 is set to 0, region 0 Privilege-eligible area is Privileged for writes.

**Figure 17-2.** Partitioning Example of an Internal Protected Slave Featuring 1 Protected Region of 512 Kbytes Split into 1 or 2 Protected Areas of 4 Kbytes to 512 Kbytes



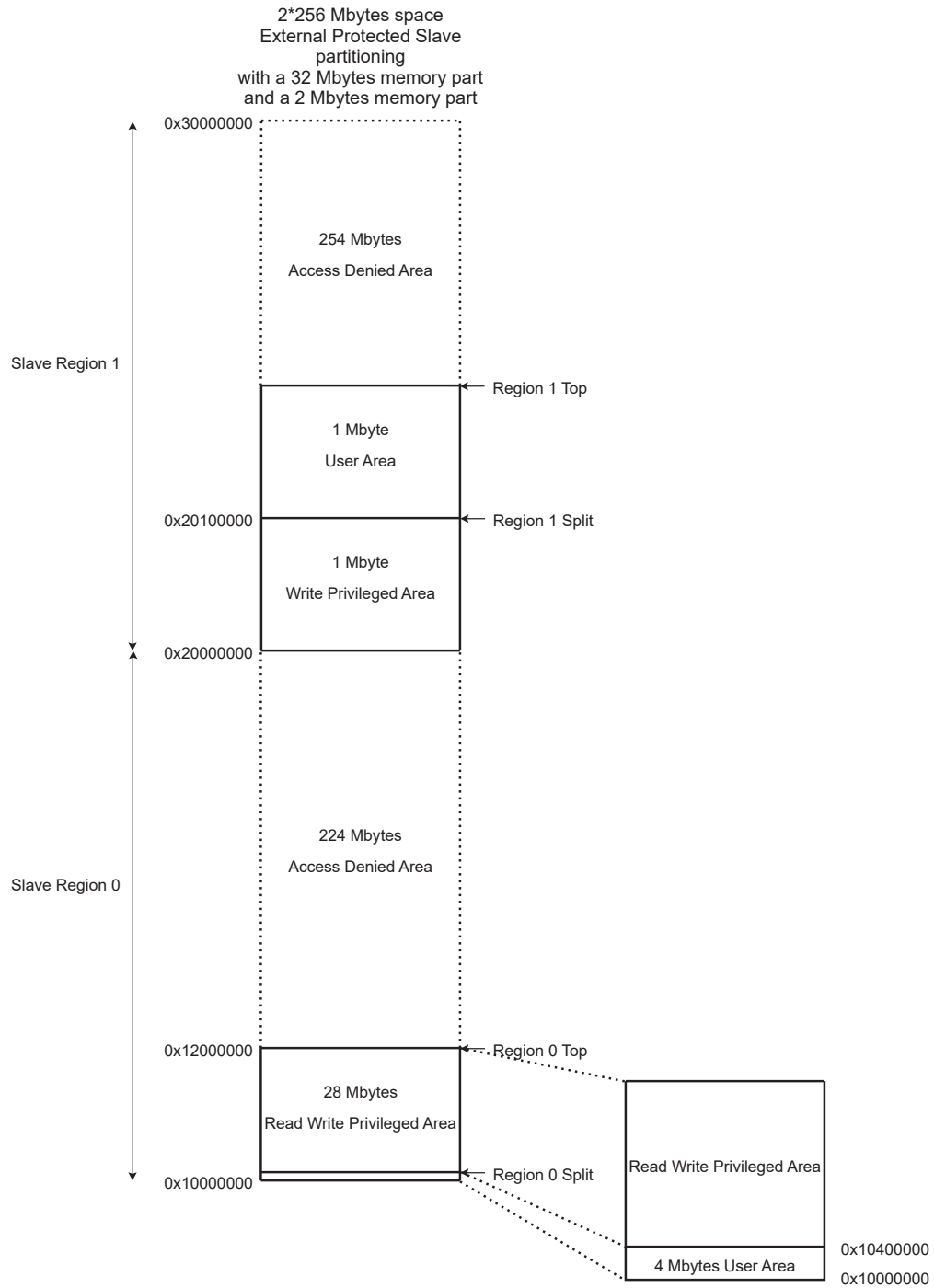
**Note:** The slave-protected areas split inside the protected region are configured by writing into the [Protected Areas Split Slave Registers](#).

The following figure shows an External Protected slave example. This example is based on the following hypothesis:

- The slave is an EBI containing 2 regions. The slave size is 2\*256 Mbytes. Each slave region Max Size is 256 Mbytes.
- The slave region 0 base address equals 0x10 000 000. It is connected to a 32 Mbytes memory, for example an external DDR. The slave region 0 Top Size must be set to 32 Mbytes.
- The slave region 1 base address equals 0x20 000 000. It is connected to a 2 Mbytes memory, for example an external Flash. The slave region 1 Top Size must be set to 2 Mbytes.

- The slave software configuration is as follows:
  - TOP0 is set to 32 Mbytes.
  - TOP1 is set to 2 Mbytes.
  - SPLIT0 is set to 4 Mbytes.
  - SPLIT1 is set to 1 Mbyte.
  - LAUSERH0 is set to 1, the low area of region 0 is the User one.
  - RDUSERH0 is set to 0, region 0 Privilege-eligible area is Privileged for reads.
  - WRUSERH0 is set to 0, region 0 Privilege-eligible area is Privileged for writes.
  - LAUSERH1 is set to 0, the low area of region 1 is the Privilege-eligible one.
  - RDUSERH1 is set to 1, region 1 Privilege-eligible area is User for reads.
  - WRUSERH1 is set to 0, region 1 Privilege-eligible area is Privileged for writes.

**Figure 17-3.** Partitioning Example: External Protected Slave Featuring 2 Protected Regions of 4 Kbytes to 128 Mbytes Each and Up to 4 Protected Areas of 4 Kbytes to 128 Mbytes



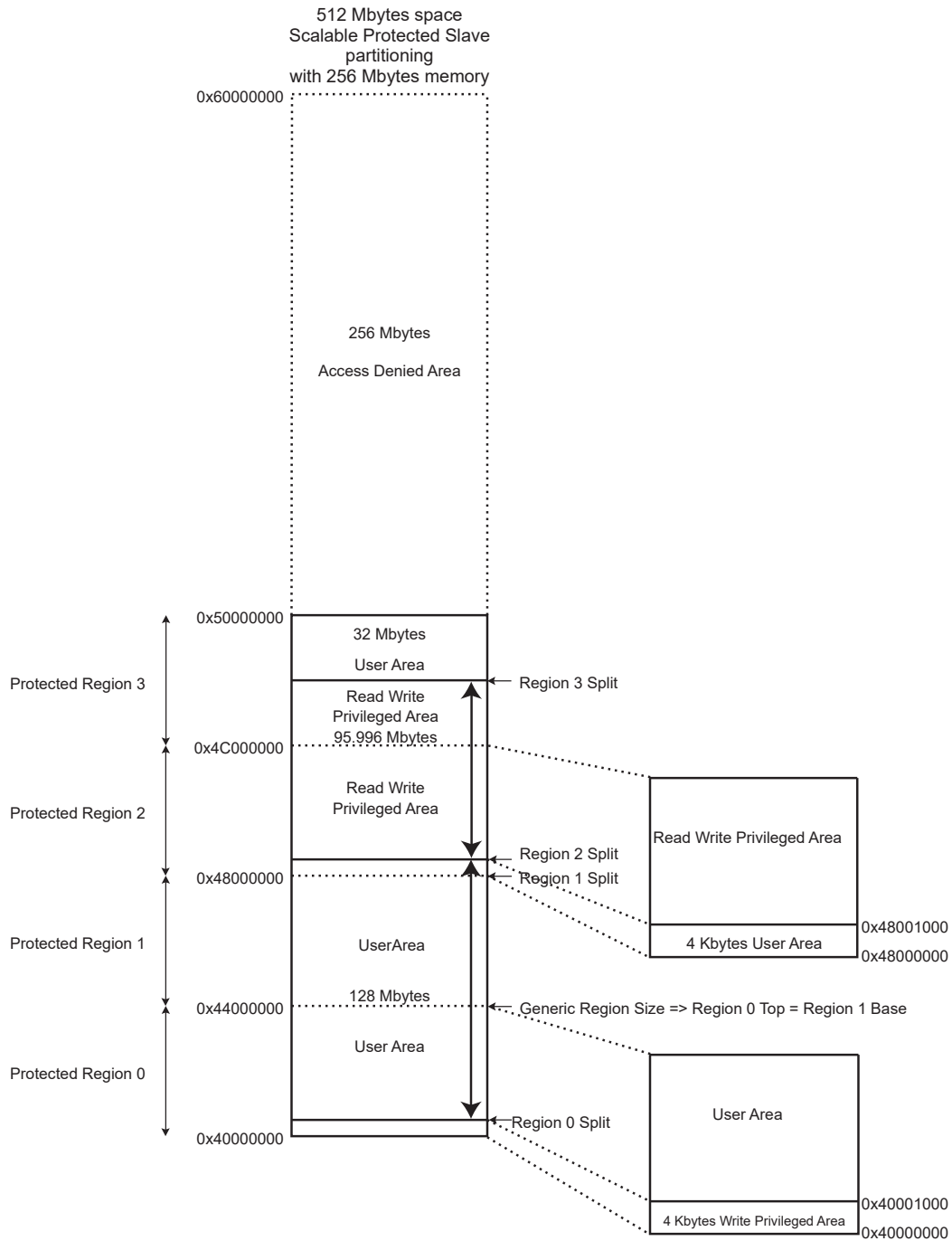
**Note:** The slave region sizes are configured by writing into the [17.11.60. MATRIX\\_PRTSRx](#). The slave-protected area split inside each region is configured by writing into the [Protected Areas Split Slave Registers](#).

The following figure shows a Scalable Protected slave example. This example is based on the following hypothesis:

- The slave is an external memory with dedicated slave containing 4 regions, for example an external DDR.

- The slave size is 512 Mbytes.
- The slave base address equals 0x40 000 000. It is connected to a 256 Mbytes external memory.
- As the connected memory size is 256 Mbytes and there are 4 regions, the size of each region is 64 Mbytes. This gives the value of the slave region Max Size and Top Size. The slave region 0 Top Size must be configured to 64 Mbytes.
- The slave software configuration is as follows:
  - TOP0 is set to 64 Mbytes.
  - SPLIT0 is set to 4 Kbytes.
  - SPLIT1 is set to 64 Mbytes, so its low area occupies the whole region 1.
  - SPLIT2 is set to 4 Kbytes.
  - SPLIT3 is set to 32 Mbytes.
  - LAUSERH0 is set to 0, the low area of region 0 is the Privilege-eligible one.
  - RDUSERH0 is set to 1, region 0 Privilege-eligible area is User for reads.
  - WRUSERH0 is set to 0, region 0 Privilege-eligible area is Privileged for writes.
  - LAUSERH1 is set to 1, the low area of region 1 is the User one.
  - RDUSERH1 is 'don't care' since the low area occupies the whole region 1.
  - WRUSERH1 is 'don't care' since the low area occupies the whole region 1.
  - LAUSERH2 is set to 1, the low area of region 2 is the User one.
  - RDUSERH2 is set to 0, region 2 Privilege-eligible area is Privileged for reads.
  - WRUSERH2 is set to 0, region 2 Privilege-eligible area is Privileged for writes.
  - LAUSERH3 is set to 0, the low area of region 3 is the Privilege-eligible one.
  - RDUSERH3 is set to 0, region 3 Privilege-eligible area is Privileged for reads.
  - WRUSERH3 is set to 0, region 3 Privilege-eligible area is Privileged for writes.

**Figure 17-4.** Partitioning Example: Scalable Protected Slave Featuring 4 Equally-sized Protected Regions of 1 Mbytes to 128 Mbytes Each and Up to 8 Protected Areas of 4 Kbytes to 128 Mbytes



**Note:** The slaves' generic protected regions sizes are configured by writing into field PRTOPO of the 17.11.60. [MATRIX\\_PRTSRx](#) and the custom slave-protected areas splits inside each region are configured by writing into the [Protected Areas Split Slave Registers](#).

### 17.10.2 Protection of APB Slaves

To be able to configure the protection mode required for accessing a particular peripheral bus slave connected behind the system-to-peripheral bus (AHB/APB Bridge), the MATRIX features three 32-bit 17.11.61. [MATRIX\\_PPSELR0](#). Some of these bits may have been set by design to a Privileged or a User value, when others are programmed by software (see section 17.11.61. [MATRIX\\_PPSELR0](#)).

The system-to-peripheral bus bridge compares the incoming master request protection bit with the required protection for the selected peripheral, and accepts or denies access. In the last case, its bus error response is internally flagged in the MATRIX [Master Error Status Register](#); the offending address is registered in the [17.11.38. MATRIX\\_MEARx](#).



## 17.11 Register Summary

Offset	Name	Bit Pos.	7	6	5	4	3	2	1	0	
0x00	MATRIX_MCFG0	7:0							ULBT[2:0]		
		15:8									
		23:16									
		31:24									
...											
0x30	MATRIX_MCFG12	7:0							ULBT[2:0]		
		15:8									
		23:16									
		31:24									
0x34	MATRIX_MCFG13	7:0							ULBT[2:0]		
		15:8									
		23:16									
		31:24									
0x38	MATRIX_MCFG14	7:0							ULBT[2:0]		
		15:8									
		23:16									
		31:24									
0x3C	MATRIX_MCFG15	7:0							ULBT[2:0]		
		15:8									
		23:16									
		31:24									
0x40	MATRIX_SCFG0	7:0	SLOT_CYCLE[7:0]								
		15:8								SLOT_CYCLE[8]	
		23:16			FIXED_DEFMSTR[3:0]				DEFMSTR_TYPE[1:0]		
		31:24									
0x44	MATRIX_SCFG1	7:0	SLOT_CYCLE[7:0]								
		15:8								SLOT_CYCLE[8]	
		23:16			FIXED_DEFMSTR[3:0]				DEFMSTR_TYPE[1:0]		
		31:24									
0x48	MATRIX_SCFG2	7:0	SLOT_CYCLE[7:0]								
		15:8								SLOT_CYCLE[8]	
		23:16			FIXED_DEFMSTR[3:0]				DEFMSTR_TYPE[1:0]		
		31:24									
0x4C	MATRIX_SCFG3	7:0	SLOT_CYCLE[7:0]								
		15:8								SLOT_CYCLE[8]	
		23:16			FIXED_DEFMSTR[3:0]				DEFMSTR_TYPE[1:0]		
		31:24									
0x50	MATRIX_SCFG4	7:0	SLOT_CYCLE[7:0]								
		15:8								SLOT_CYCLE[8]	
		23:16			FIXED_DEFMSTR[3:0]				DEFMSTR_TYPE[1:0]		
		31:24									
0x54	MATRIX_SCFG5	7:0	SLOT_CYCLE[7:0]								
		15:8								SLOT_CYCLE[8]	
		23:16			FIXED_DEFMSTR[3:0]				DEFMSTR_TYPE[1:0]		
		31:24									
0x58	MATRIX_SCFG6	7:0	SLOT_CYCLE[7:0]								
		15:8								SLOT_CYCLE[8]	
		23:16			FIXED_DEFMSTR[3:0]				DEFMSTR_TYPE[1:0]		
		31:24									

.....continued

Offset	Name	Bit Pos.	7	6	5	4	3	2	1	0
0x5C	MATRIX_SCFG7	7:0	SLOT_CYCLE[7:0]							
		15:8	SLOT_CYCLE[8]							
		23:16	FIXED_DEFMSTR[3:0]				DEFMSTR_TYPE[1:0]			
		31:24								
0x60	MATRIX_SCFG8	7:0	SLOT_CYCLE[7:0]							
		15:8	SLOT_CYCLE[8]							
		23:16	FIXED_DEFMSTR[3:0]				DEFMSTR_TYPE[1:0]			
		31:24								
0x64	MATRIX_SCFG9	7:0	SLOT_CYCLE[7:0]							
		15:8	SLOT_CYCLE[8]							
		23:16	FIXED_DEFMSTR[3:0]				DEFMSTR_TYPE[1:0]			
		31:24								
0x68	MATRIX_SCFG10	7:0	SLOT_CYCLE[7:0]							
		15:8	SLOT_CYCLE[8]							
		23:16	FIXED_DEFMSTR[3:0]				DEFMSTR_TYPE[1:0]			
		31:24								
0x6C	MATRIX_SCFG11	7:0	SLOT_CYCLE[7:0]							
		15:8	SLOT_CYCLE[8]							
		23:16	FIXED_DEFMSTR[3:0]				DEFMSTR_TYPE[1:0]			
		31:24								
0x70	MATRIX_SCFG12	7:0	SLOT_CYCLE[7:0]							
		15:8	SLOT_CYCLE[8]							
		23:16	FIXED_DEFMSTR[3:0]				DEFMSTR_TYPE[1:0]			
		31:24								
0x74	MATRIX_SCFG13	7:0	SLOT_CYCLE[7:0]							
		15:8	SLOT_CYCLE[8]							
		23:16	FIXED_DEFMSTR[3:0]				DEFMSTR_TYPE[1:0]			
		31:24								
0x78	MATRIX_SCFG14	7:0	SLOT_CYCLE[7:0]							
		15:8	SLOT_CYCLE[8]							
		23:16	FIXED_DEFMSTR[3:0]				DEFMSTR_TYPE[1:0]			
		31:24								
0x7C	MATRIX_SCFG15	7:0	SLOT_CYCLE[7:0]							
		15:8	SLOT_CYCLE[8]							
		23:16	FIXED_DEFMSTR[3:0]				DEFMSTR_TYPE[1:0]			
		31:24								
0x80	MATRIX_PRAS0	7:0		LQOSEN1	M1PR[1:0]			LQOSEN0	M0PR[1:0]	
		15:8		LQOSEN3	M3PR[1:0]			LQOSEN2	M2PR[1:0]	
		23:16		LQOSEN5	M5PR[1:0]			LQOSEN4	M4PR[1:0]	
		31:24		LQOSEN7	M7PR[1:0]			LQOSEN6	M6PR[1:0]	
0x84	MATRIX_PRBS0	7:0		LQOSEN9	M9PR[1:0]			LQOSEN8	M8PR[1:0]	
		15:8		LQOSEN11	M11PR[1:0]			LQOSEN10	M10PR[1:0]	
		23:16		LQOSEN13	M13PR[1:0]			LQOSEN12	M12PR[1:0]	
		31:24		LQOSEN15	M15PR[1:0]			LQOSEN14	M14PR[1:0]	
0x88	MATRIX_PRAS1	7:0		LQOSEN1	M1PR[1:0]			LQOSEN0	M0PR[1:0]	
		15:8		LQOSEN3	M3PR[1:0]			LQOSEN2	M2PR[1:0]	
		23:16		LQOSEN5	M5PR[1:0]			LQOSEN4	M4PR[1:0]	
		31:24		LQOSEN7	M7PR[1:0]			LQOSEN6	M6PR[1:0]	
0x8C	MATRIX_PRBS1	7:0		LQOSEN9	M9PR[1:0]			LQOSEN8	M8PR[1:0]	
		15:8		LQOSEN11	M11PR[1:0]			LQOSEN10	M10PR[1:0]	
		23:16		LQOSEN13	M13PR[1:0]			LQOSEN12	M12PR[1:0]	
		31:24		LQOSEN15	M15PR[1:0]			LQOSEN14	M14PR[1:0]	

.....continued

Offset	Name	Bit Pos.	7	6	5	4	3	2	1	0
0x90	MATRIX_PRAS2	7:0		LQOSEN1	M1PR[1:0]			LQOSEN0	M0PR[1:0]	
		15:8		LQOSEN3	M3PR[1:0]			LQOSEN2	M2PR[1:0]	
		23:16		LQOSEN5	M5PR[1:0]			LQOSEN4	M4PR[1:0]	
		31:24		LQOSEN7	M7PR[1:0]			LQOSEN6	M6PR[1:0]	
0x94	MATRIX_PRBS2	7:0		LQOSEN9	M9PR[1:0]			LQOSEN8	M8PR[1:0]	
		15:8		LQOSEN11	M11PR[1:0]			LQOSEN10	M10PR[1:0]	
		23:16		LQOSEN13	M13PR[1:0]			LQOSEN12	M12PR[1:0]	
		31:24		LQOSEN15	M15PR[1:0]			LQOSEN14	M14PR[1:0]	
0x98	MATRIX_PRAS3	7:0		LQOSEN1	M1PR[1:0]			LQOSEN0	M0PR[1:0]	
		15:8		LQOSEN3	M3PR[1:0]			LQOSEN2	M2PR[1:0]	
		23:16		LQOSEN5	M5PR[1:0]			LQOSEN4	M4PR[1:0]	
		31:24		LQOSEN7	M7PR[1:0]			LQOSEN6	M6PR[1:0]	
0x9C	MATRIX_PRBS3	7:0		LQOSEN9	M9PR[1:0]			LQOSEN8	M8PR[1:0]	
		15:8		LQOSEN11	M11PR[1:0]			LQOSEN10	M10PR[1:0]	
		23:16		LQOSEN13	M13PR[1:0]			LQOSEN12	M12PR[1:0]	
		31:24		LQOSEN15	M15PR[1:0]			LQOSEN14	M14PR[1:0]	
0xA0	MATRIX_PRAS4	7:0		LQOSEN1	M1PR[1:0]			LQOSEN0	M0PR[1:0]	
		15:8		LQOSEN3	M3PR[1:0]			LQOSEN2	M2PR[1:0]	
		23:16		LQOSEN5	M5PR[1:0]			LQOSEN4	M4PR[1:0]	
		31:24		LQOSEN7	M7PR[1:0]			LQOSEN6	M6PR[1:0]	
0xA4	MATRIX_PRBS4	7:0		LQOSEN9	M9PR[1:0]			LQOSEN8	M8PR[1:0]	
		15:8		LQOSEN11	M11PR[1:0]			LQOSEN10	M10PR[1:0]	
		23:16		LQOSEN13	M13PR[1:0]			LQOSEN12	M12PR[1:0]	
		31:24		LQOSEN15	M15PR[1:0]			LQOSEN14	M14PR[1:0]	
0xA8	MATRIX_PRAS5	7:0		LQOSEN1	M1PR[1:0]			LQOSEN0	M0PR[1:0]	
		15:8		LQOSEN3	M3PR[1:0]			LQOSEN2	M2PR[1:0]	
		23:16		LQOSEN5	M5PR[1:0]			LQOSEN4	M4PR[1:0]	
		31:24		LQOSEN7	M7PR[1:0]			LQOSEN6	M6PR[1:0]	
0xAC	MATRIX_PRBS5	7:0		LQOSEN9	M9PR[1:0]			LQOSEN8	M8PR[1:0]	
		15:8		LQOSEN11	M11PR[1:0]			LQOSEN10	M10PR[1:0]	
		23:16		LQOSEN13	M13PR[1:0]			LQOSEN12	M12PR[1:0]	
		31:24		LQOSEN15	M15PR[1:0]			LQOSEN14	M14PR[1:0]	
0xB0	MATRIX_PRAS6	7:0		LQOSEN1	M1PR[1:0]			LQOSEN0	M0PR[1:0]	
		15:8		LQOSEN3	M3PR[1:0]			LQOSEN2	M2PR[1:0]	
		23:16		LQOSEN5	M5PR[1:0]			LQOSEN4	M4PR[1:0]	
		31:24		LQOSEN7	M7PR[1:0]			LQOSEN6	M6PR[1:0]	
0xB4	MATRIX_PRBS6	7:0		LQOSEN9	M9PR[1:0]			LQOSEN8	M8PR[1:0]	
		15:8		LQOSEN11	M11PR[1:0]			LQOSEN10	M10PR[1:0]	
		23:16		LQOSEN13	M13PR[1:0]			LQOSEN12	M12PR[1:0]	
		31:24		LQOSEN15	M15PR[1:0]			LQOSEN14	M14PR[1:0]	
0xB8	MATRIX_PRAS7	7:0		LQOSEN1	M1PR[1:0]			LQOSEN0	M0PR[1:0]	
		15:8		LQOSEN3	M3PR[1:0]			LQOSEN2	M2PR[1:0]	
		23:16		LQOSEN5	M5PR[1:0]			LQOSEN4	M4PR[1:0]	
		31:24		LQOSEN7	M7PR[1:0]			LQOSEN6	M6PR[1:0]	
0xBC	MATRIX_PRBS7	7:0		LQOSEN9	M9PR[1:0]			LQOSEN8	M8PR[1:0]	
		15:8		LQOSEN11	M11PR[1:0]			LQOSEN10	M10PR[1:0]	
		23:16		LQOSEN13	M13PR[1:0]			LQOSEN12	M12PR[1:0]	
		31:24		LQOSEN15	M15PR[1:0]			LQOSEN14	M14PR[1:0]	
0xC0	MATRIX_PRAS8	7:0		LQOSEN1	M1PR[1:0]			LQOSEN0	M0PR[1:0]	
		15:8		LQOSEN3	M3PR[1:0]			LQOSEN2	M2PR[1:0]	
		23:16		LQOSEN5	M5PR[1:0]			LQOSEN4	M4PR[1:0]	
		31:24		LQOSEN7	M7PR[1:0]			LQOSEN6	M6PR[1:0]	
0xC4	MATRIX_PRBS8	7:0		LQOSEN9	M9PR[1:0]			LQOSEN8	M8PR[1:0]	
		15:8		LQOSEN11	M11PR[1:0]			LQOSEN10	M10PR[1:0]	
		23:16		LQOSEN13	M13PR[1:0]			LQOSEN12	M12PR[1:0]	
		31:24		LQOSEN15	M15PR[1:0]			LQOSEN14	M14PR[1:0]	
0xC8	MATRIX_PRAS9	7:0		LQOSEN1	M1PR[1:0]			LQOSEN0	M0PR[1:0]	
		15:8		LQOSEN3	M3PR[1:0]			LQOSEN2	M2PR[1:0]	
		23:16		LQOSEN5	M5PR[1:0]			LQOSEN4	M4PR[1:0]	
		31:24		LQOSEN7	M7PR[1:0]			LQOSEN6	M6PR[1:0]	

.....continued											
Offset	Name	Bit Pos.	7	6	5	4	3	2	1	0	
0xCC	MATRIX_PRBS9	7:0		LQOSEN9	M9PR[1:0]			LQOSEN8	M8PR[1:0]		
		15:8		LQOSEN11	M11PR[1:0]			LQOSEN10	M10PR[1:0]		
		23:16		LQOSEN13	M13PR[1:0]			LQOSEN12	M12PR[1:0]		
		31:24		LQOSEN15	M15PR[1:0]			LQOSEN14	M14PR[1:0]		
0xD0	MATRIX_PRAS10	7:0		LQOSEN11	M1PR[1:0]			LQOSEN10	M0PR[1:0]		
		15:8		LQOSEN13	M3PR[1:0]			LQOSEN12	M2PR[1:0]		
		23:16		LQOSEN15	M5PR[1:0]			LQOSEN14	M4PR[1:0]		
		31:24		LQOSEN17	M7PR[1:0]			LQOSEN16	M6PR[1:0]		
0xD4	MATRIX_PRBS10	7:0		LQOSEN9	M9PR[1:0]			LQOSEN8	M8PR[1:0]		
		15:8		LQOSEN11	M11PR[1:0]			LQOSEN10	M10PR[1:0]		
		23:16		LQOSEN13	M13PR[1:0]			LQOSEN12	M12PR[1:0]		
		31:24		LQOSEN15	M15PR[1:0]			LQOSEN14	M14PR[1:0]		
0xD8	MATRIX_PRAS11	7:0		LQOSEN11	M1PR[1:0]			LQOSEN10	M0PR[1:0]		
		15:8		LQOSEN13	M3PR[1:0]			LQOSEN12	M2PR[1:0]		
		23:16		LQOSEN15	M5PR[1:0]			LQOSEN14	M4PR[1:0]		
		31:24		LQOSEN17	M7PR[1:0]			LQOSEN16	M6PR[1:0]		
0xDC	MATRIX_PRBS11	7:0		LQOSEN9	M9PR[1:0]			LQOSEN8	M8PR[1:0]		
		15:8		LQOSEN11	M11PR[1:0]			LQOSEN10	M10PR[1:0]		
		23:16		LQOSEN13	M13PR[1:0]			LQOSEN12	M12PR[1:0]		
		31:24		LQOSEN15	M15PR[1:0]			LQOSEN14	M14PR[1:0]		
0xE0	MATRIX_PRAS12	7:0		LQOSEN11	M1PR[1:0]			LQOSEN10	M0PR[1:0]		
		15:8		LQOSEN13	M3PR[1:0]			LQOSEN12	M2PR[1:0]		
		23:16		LQOSEN15	M5PR[1:0]			LQOSEN14	M4PR[1:0]		
		31:24		LQOSEN17	M7PR[1:0]			LQOSEN16	M6PR[1:0]		
0xE4	MATRIX_PRBS12	7:0		LQOSEN9	M9PR[1:0]			LQOSEN8	M8PR[1:0]		
		15:8		LQOSEN11	M11PR[1:0]			LQOSEN10	M10PR[1:0]		
		23:16		LQOSEN13	M13PR[1:0]			LQOSEN12	M12PR[1:0]		
		31:24		LQOSEN15	M15PR[1:0]			LQOSEN14	M14PR[1:0]		
0xE8	MATRIX_PRAS13	7:0		LQOSEN11	M1PR[1:0]			LQOSEN10	M0PR[1:0]		
		15:8		LQOSEN13	M3PR[1:0]			LQOSEN12	M2PR[1:0]		
		23:16		LQOSEN15	M5PR[1:0]			LQOSEN14	M4PR[1:0]		
		31:24		LQOSEN17	M7PR[1:0]			LQOSEN16	M6PR[1:0]		
0xEC	MATRIX_PRBS13	7:0		LQOSEN9	M9PR[1:0]			LQOSEN8	M8PR[1:0]		
		15:8		LQOSEN11	M11PR[1:0]			LQOSEN10	M10PR[1:0]		
		23:16		LQOSEN13	M13PR[1:0]			LQOSEN12	M12PR[1:0]		
		31:24		LQOSEN15	M15PR[1:0]			LQOSEN14	M14PR[1:0]		
0xF0	MATRIX_PRAS14	7:0		LQOSEN11	M1PR[1:0]			LQOSEN10	M0PR[1:0]		
		15:8		LQOSEN13	M3PR[1:0]			LQOSEN12	M2PR[1:0]		
		23:16		LQOSEN15	M5PR[1:0]			LQOSEN14	M4PR[1:0]		
		31:24		LQOSEN17	M7PR[1:0]			LQOSEN16	M6PR[1:0]		
0xF4	MATRIX_PRBS14	7:0		LQOSEN9	M9PR[1:0]			LQOSEN8	M8PR[1:0]		
		15:8		LQOSEN11	M11PR[1:0]			LQOSEN10	M10PR[1:0]		
		23:16		LQOSEN13	M13PR[1:0]			LQOSEN12	M12PR[1:0]		
		31:24		LQOSEN15	M15PR[1:0]			LQOSEN14	M14PR[1:0]		
0xF8	MATRIX_PRAS15	7:0		LQOSEN11	M1PR[1:0]			LQOSEN10	M0PR[1:0]		
		15:8		LQOSEN13	M3PR[1:0]			LQOSEN12	M2PR[1:0]		
		23:16		LQOSEN15	M5PR[1:0]			LQOSEN14	M4PR[1:0]		
		31:24		LQOSEN17	M7PR[1:0]			LQOSEN16	M6PR[1:0]		
0xFC	MATRIX_PRBS15	7:0		LQOSEN9	M9PR[1:0]			LQOSEN8	M8PR[1:0]		
		15:8		LQOSEN11	M11PR[1:0]			LQOSEN10	M10PR[1:0]		
		23:16		LQOSEN13	M13PR[1:0]			LQOSEN12	M12PR[1:0]		
		31:24		LQOSEN15	M15PR[1:0]			LQOSEN14	M14PR[1:0]		
0x0100	MATRIX_MRCR	7:0	RCB7	RCB6	RCB5	RCB4	RCB3	RCB2	RCB1	RCB0	
		15:8	RCB15	RCB14	RCB13	RCB12	RCB11	RCB10	RCB9	RCB8	
		23:16									
		31:24									
0x0104 ... 0x014F	Reserved										

.....continued										
Offset	Name	Bit Pos.	7	6	5	4	3	2	1	0
0x0150	MATRIX_MEIER	7:0	MERR7	MERR6	MERR5	MERR4	MERR3	MERR2	MERR1	MERR0
		15:8	MERR15	MERR14	MERR13	MERR12	MERR11	MERR10	MERR9	MERR8
		23:16								
		31:24								
0x0154	MATRIX_MEIDR	7:0	MERR7	MERR6	MERR5	MERR4	MERR3	MERR2	MERR1	MERR0
		15:8	MERR15	MERR14	MERR13	MERR12	MERR11	MERR10	MERR9	MERR8
		23:16								
		31:24								
0x0158	MATRIX_MEIMR	7:0	MERR7	MERR6	MERR5	MERR4	MERR3	MERR2	MERR1	MERR0
		15:8	MERR15	MERR14	MERR13	MERR12	MERR11	MERR10	MERR9	MERR8
		23:16								
		31:24								
0x015C	MATRIX_MESR	7:0	MERR7	MERR6	MERR5	MERR4	MERR3	MERR2	MERR1	MERR0
		15:8	MERR15	MERR14	MERR13	MERR12	MERR11	MERR10	MERR9	MERR8
		23:16								
		31:24								
0x0160	MATRIX_MEARO	7:0	ERRADD[7:0]							
		15:8	ERRADD[15:8]							
		23:16	ERRADD[23:16]							
		31:24	ERRADD[31:24]							
...										
0x019C	MATRIX_MEAR15	7:0	ERRADD[7:0]							
		15:8	ERRADD[15:8]							
		23:16	ERRADD[23:16]							
		31:24	ERRADD[31:24]							
0x01A0 ... 0x01E3	Reserved									
0x01E4	MATRIX_WPMR	7:0	CFGFRZ							WPEN
		15:8	WPKEY[7:0]							
		23:16	WPKEY[15:8]							
		31:24	WPKEY[23:16]							
0x01E8	MATRIX_WPSR	7:0								WPVS
		15:8	WPVSR[7:0]							
		23:16	WPVSR[15:8]							
		31:24								
0x01EC ... 0x01FF	Reserved									
0x0200	MATRIX_PSR0	7:0	LAUSERH7	LAUSERH6	LAUSERH5	LAUSERH4	LAUSERH3	LAUSERH2	LAUSERH1	LAUSERH0
		15:8	RDUSERH7	RDUSERH6	RDUSERH5	RDUSERH4	RDUSERH3	RDUSERH2	RDUSERH1	RDUSERH0
		23:16	WRUSERH7	WRUSERH6	WRUSERH5	WRUSERH4	WRUSERH3	WRUSERH2	WRUSERH1	WRUSERH0
		31:24	DPSOA7	DPSOA6	DPSOA5	DPSOA4	DPSOA3	DPSOA2	DPSOA1	DPSOA0
0x0204	MATRIX_PSR1	7:0	LAUSERH7	LAUSERH6	LAUSERH5	LAUSERH4	LAUSERH3	LAUSERH2	LAUSERH1	LAUSERH0
		15:8	RDUSERH7	RDUSERH6	RDUSERH5	RDUSERH4	RDUSERH3	RDUSERH2	RDUSERH1	RDUSERH0
		23:16	WRUSERH7	WRUSERH6	WRUSERH5	WRUSERH4	WRUSERH3	WRUSERH2	WRUSERH1	WRUSERH0
		31:24	DPSOA7	DPSOA6	DPSOA5	DPSOA4	DPSOA3	DPSOA2	DPSOA1	DPSOA0
0x0208	MATRIX_PSR2	7:0	LAUSERH7	LAUSERH6	LAUSERH5	LAUSERH4	LAUSERH3	LAUSERH2	LAUSERH1	LAUSERH0
		15:8	RDUSERH7	RDUSERH6	RDUSERH5	RDUSERH4	RDUSERH3	RDUSERH2	RDUSERH1	RDUSERH0
		23:16	WRUSERH7	WRUSERH6	WRUSERH5	WRUSERH4	WRUSERH3	WRUSERH2	WRUSERH1	WRUSERH0
		31:24	DPSOA7	DPSOA6	DPSOA5	DPSOA4	DPSOA3	DPSOA2	DPSOA1	DPSOA0
0x020C	MATRIX_PSR3	7:0	LAUSERH7	LAUSERH6	LAUSERH5	LAUSERH4	LAUSERH3	LAUSERH2	LAUSERH1	LAUSERH0
		15:8	RDUSERH7	RDUSERH6	RDUSERH5	RDUSERH4	RDUSERH3	RDUSERH2	RDUSERH1	RDUSERH0
		23:16	WRUSERH7	WRUSERH6	WRUSERH5	WRUSERH4	WRUSERH3	WRUSERH2	WRUSERH1	WRUSERH0
		31:24	DPSOA7	DPSOA6	DPSOA5	DPSOA4	DPSOA3	DPSOA2	DPSOA1	DPSOA0
0x0210	MATRIX_PSR4	7:0	LAUSERH7	LAUSERH6	LAUSERH5	LAUSERH4	LAUSERH3	LAUSERH2	LAUSERH1	LAUSERH0
		15:8	RDUSERH7	RDUSERH6	RDUSERH5	RDUSERH4	RDUSERH3	RDUSERH2	RDUSERH1	RDUSERH0
		23:16	WRUSERH7	WRUSERH6	WRUSERH5	WRUSERH4	WRUSERH3	WRUSERH2	WRUSERH1	WRUSERH0
		31:24	DPSOA7	DPSOA6	DPSOA5	DPSOA4	DPSOA3	DPSOA2	DPSOA1	DPSOA0

.....continued										
Offset	Name	Bit Pos.	7	6	5	4	3	2	1	0
0x0214	MATRIX_PSR5	7:0	LAUSERH7	LAUSERH6	LAUSERH5	LAUSERH4	LAUSERH3	LAUSERH2	LAUSERH1	LAUSERH0
		15:8	RDUSERH7	RDUSERH6	RDUSERH5	RDUSERH4	RDUSERH3	RDUSERH2	RDUSERH1	RDUSERH0
		23:16	WRUSERH7	WRUSERH6	WRUSERH5	WRUSERH4	WRUSERH3	WRUSERH2	WRUSERH1	WRUSERH0
		31:24	DPSOA7	DPSOA6	DPSOA5	DPSOA4	DPSOA3	DPSOA2	DPSOA1	DPSOA0
0x0218	MATRIX_PSR6	7:0	LAUSERH7	LAUSERH6	LAUSERH5	LAUSERH4	LAUSERH3	LAUSERH2	LAUSERH1	LAUSERH0
		15:8	RDUSERH7	RDUSERH6	RDUSERH5	RDUSERH4	RDUSERH3	RDUSERH2	RDUSERH1	RDUSERH0
		23:16	WRUSERH7	WRUSERH6	WRUSERH5	WRUSERH4	WRUSERH3	WRUSERH2	WRUSERH1	WRUSERH0
		31:24	DPSOA7	DPSOA6	DPSOA5	DPSOA4	DPSOA3	DPSOA2	DPSOA1	DPSOA0
0x021C	MATRIX_PSR7	7:0	LAUSERH7	LAUSERH6	LAUSERH5	LAUSERH4	LAUSERH3	LAUSERH2	LAUSERH1	LAUSERH0
		15:8	RDUSERH7	RDUSERH6	RDUSERH5	RDUSERH4	RDUSERH3	RDUSERH2	RDUSERH1	RDUSERH0
		23:16	WRUSERH7	WRUSERH6	WRUSERH5	WRUSERH4	WRUSERH3	WRUSERH2	WRUSERH1	WRUSERH0
		31:24	DPSOA7	DPSOA6	DPSOA5	DPSOA4	DPSOA3	DPSOA2	DPSOA1	DPSOA0
0x0220	MATRIX_PSR8	7:0	LAUSERH7	LAUSERH6	LAUSERH5	LAUSERH4	LAUSERH3	LAUSERH2	LAUSERH1	LAUSERH0
		15:8	RDUSERH7	RDUSERH6	RDUSERH5	RDUSERH4	RDUSERH3	RDUSERH2	RDUSERH1	RDUSERH0
		23:16	WRUSERH7	WRUSERH6	WRUSERH5	WRUSERH4	WRUSERH3	WRUSERH2	WRUSERH1	WRUSERH0
		31:24	DPSOA7	DPSOA6	DPSOA5	DPSOA4	DPSOA3	DPSOA2	DPSOA1	DPSOA0
0x0224	MATRIX_PSR9	7:0	LAUSERH7	LAUSERH6	LAUSERH5	LAUSERH4	LAUSERH3	LAUSERH2	LAUSERH1	LAUSERH0
		15:8	RDUSERH7	RDUSERH6	RDUSERH5	RDUSERH4	RDUSERH3	RDUSERH2	RDUSERH1	RDUSERH0
		23:16	WRUSERH7	WRUSERH6	WRUSERH5	WRUSERH4	WRUSERH3	WRUSERH2	WRUSERH1	WRUSERH0
		31:24	DPSOA7	DPSOA6	DPSOA5	DPSOA4	DPSOA3	DPSOA2	DPSOA1	DPSOA0
0x0228	MATRIX_PSR10	7:0	LAUSERH17	LAUSERH16	LAUSERH15	LAUSERH14	LAUSERH13	LAUSERH12	LAUSERH11	LAUSERH10
		15:8	RDUSERH17	RDUSERH16	RDUSERH15	RDUSERH14	RDUSERH13	RDUSERH12	RDUSERH11	RDUSERH10
		23:16	WRUSERH17	WRUSERH16	WRUSERH15	WRUSERH14	WRUSERH13	WRUSERH12	WRUSERH11	WRUSERH10
		31:24	DPSOA17	DPSOA16	DPSOA15	DPSOA14	DPSOA13	DPSOA12	DPSOA11	DPSOA10
0x022C	MATRIX_PSR11	7:0	LAUSERH17	LAUSERH16	LAUSERH15	LAUSERH14	LAUSERH13	LAUSERH12	LAUSERH11	LAUSERH10
		15:8	RDUSERH17	RDUSERH16	RDUSERH15	RDUSERH14	RDUSERH13	RDUSERH12	RDUSERH11	RDUSERH10
		23:16	WRUSERH17	WRUSERH16	WRUSERH15	WRUSERH14	WRUSERH13	WRUSERH12	WRUSERH11	WRUSERH10
		31:24	DPSOA17	DPSOA16	DPSOA15	DPSOA14	DPSOA13	DPSOA12	DPSOA11	DPSOA10
0x0230	MATRIX_PSR12	7:0	LAUSERH17	LAUSERH16	LAUSERH15	LAUSERH14	LAUSERH13	LAUSERH12	LAUSERH11	LAUSERH10
		15:8	RDUSERH17	RDUSERH16	RDUSERH15	RDUSERH14	RDUSERH13	RDUSERH12	RDUSERH11	RDUSERH10
		23:16	WRUSERH17	WRUSERH16	WRUSERH15	WRUSERH14	WRUSERH13	WRUSERH12	WRUSERH11	WRUSERH10
		31:24	DPSOA17	DPSOA16	DPSOA15	DPSOA14	DPSOA13	DPSOA12	DPSOA11	DPSOA10
0x0234	MATRIX_PSR13	7:0	LAUSERH17	LAUSERH16	LAUSERH15	LAUSERH14	LAUSERH13	LAUSERH12	LAUSERH11	LAUSERH10
		15:8	RDUSERH17	RDUSERH16	RDUSERH15	RDUSERH14	RDUSERH13	RDUSERH12	RDUSERH11	RDUSERH10
		23:16	WRUSERH17	WRUSERH16	WRUSERH15	WRUSERH14	WRUSERH13	WRUSERH12	WRUSERH11	WRUSERH10
		31:24	DPSOA17	DPSOA16	DPSOA15	DPSOA14	DPSOA13	DPSOA12	DPSOA11	DPSOA10
0x0238	MATRIX_PSR14	7:0	LAUSERH17	LAUSERH16	LAUSERH15	LAUSERH14	LAUSERH13	LAUSERH12	LAUSERH11	LAUSERH10
		15:8	RDUSERH17	RDUSERH16	RDUSERH15	RDUSERH14	RDUSERH13	RDUSERH12	RDUSERH11	RDUSERH10
		23:16	WRUSERH17	WRUSERH16	WRUSERH15	WRUSERH14	WRUSERH13	WRUSERH12	WRUSERH11	WRUSERH10
		31:24	DPSOA17	DPSOA16	DPSOA15	DPSOA14	DPSOA13	DPSOA12	DPSOA11	DPSOA10
0x023C	MATRIX_PSR15	7:0	LAUSERH17	LAUSERH16	LAUSERH15	LAUSERH14	LAUSERH13	LAUSERH12	LAUSERH11	LAUSERH10
		15:8	RDUSERH17	RDUSERH16	RDUSERH15	RDUSERH14	RDUSERH13	RDUSERH12	RDUSERH11	RDUSERH10
		23:16	WRUSERH17	WRUSERH16	WRUSERH15	WRUSERH14	WRUSERH13	WRUSERH12	WRUSERH11	WRUSERH10
		31:24	DPSOA17	DPSOA16	DPSOA15	DPSOA14	DPSOA13	DPSOA12	DPSOA11	DPSOA10
0x0240	MATRIX_PASSR0	7:0	PASPLIT1[3:0]			PASPLIT0[3:0]				
		15:8	PASPLIT3[3:0]			PASPLIT2[3:0]				
		23:16	PASPLIT5[3:0]			PASPLIT4[3:0]				
		31:24	PASPLIT7[3:0]			PASPLIT6[3:0]				
0x0244	MATRIX_PASSR1	7:0	PASPLIT1[3:0]			PASPLIT0[3:0]				
		15:8	PASPLIT3[3:0]			PASPLIT2[3:0]				
		23:16	PASPLIT5[3:0]			PASPLIT4[3:0]				
		31:24	PASPLIT7[3:0]			PASPLIT6[3:0]				
0x0248	MATRIX_PASSR2	7:0	PASPLIT1[3:0]			PASPLIT0[3:0]				
		15:8	PASPLIT3[3:0]			PASPLIT2[3:0]				
		23:16	PASPLIT5[3:0]			PASPLIT4[3:0]				
		31:24	PASPLIT7[3:0]			PASPLIT6[3:0]				
0x024C	MATRIX_PASSR3	7:0	PASPLIT1[3:0]			PASPLIT0[3:0]				
		15:8	PASPLIT3[3:0]			PASPLIT2[3:0]				
		23:16	PASPLIT5[3:0]			PASPLIT4[3:0]				
		31:24	PASPLIT7[3:0]			PASPLIT6[3:0]				

.....continued

Offset	Name	Bit Pos.	7	6	5	4	3	2	1	0
0x0250	MATRIX_PASSR4	7:0		PASPLIT1[3:0]				PASPLIT0[3:0]		
		15:8		PASPLIT3[3:0]				PASPLIT2[3:0]		
		23:16		PASPLIT5[3:0]				PASPLIT4[3:0]		
		31:24		PASPLIT7[3:0]				PASPLIT6[3:0]		
0x0254	MATRIX_PASSR5	7:0		PASPLIT1[3:0]				PASPLIT0[3:0]		
		15:8		PASPLIT3[3:0]				PASPLIT2[3:0]		
		23:16		PASPLIT5[3:0]				PASPLIT4[3:0]		
		31:24		PASPLIT7[3:0]				PASPLIT6[3:0]		
0x0258	MATRIX_PASSR6	7:0		PASPLIT1[3:0]				PASPLIT0[3:0]		
		15:8		PASPLIT3[3:0]				PASPLIT2[3:0]		
		23:16		PASPLIT5[3:0]				PASPLIT4[3:0]		
		31:24		PASPLIT7[3:0]				PASPLIT6[3:0]		
0x025C	MATRIX_PASSR7	7:0		PASPLIT1[3:0]				PASPLIT0[3:0]		
		15:8		PASPLIT3[3:0]				PASPLIT2[3:0]		
		23:16		PASPLIT5[3:0]				PASPLIT4[3:0]		
		31:24		PASPLIT7[3:0]				PASPLIT6[3:0]		
0x0260	MATRIX_PASSR8	7:0		PASPLIT1[3:0]				PASPLIT0[3:0]		
		15:8		PASPLIT3[3:0]				PASPLIT2[3:0]		
		23:16		PASPLIT5[3:0]				PASPLIT4[3:0]		
		31:24		PASPLIT7[3:0]				PASPLIT6[3:0]		
0x0264	MATRIX_PASSR9	7:0		PASPLIT1[3:0]				PASPLIT0[3:0]		
		15:8		PASPLIT3[3:0]				PASPLIT2[3:0]		
		23:16		PASPLIT5[3:0]				PASPLIT4[3:0]		
		31:24		PASPLIT7[3:0]				PASPLIT6[3:0]		
0x0268	MATRIX_PASSR10	7:0		PASPLIT11[3:0]				PASPLIT10[3:0]		
		15:8		PASPLIT13[3:0]				PASPLIT12[3:0]		
		23:16		PASPLIT15[3:0]				PASPLIT14[3:0]		
		31:24		PASPLIT17[3:0]				PASPLIT16[3:0]		
0x026C	MATRIX_PASSR11	7:0		PASPLIT11[3:0]				PASPLIT10[3:0]		
		15:8		PASPLIT13[3:0]				PASPLIT12[3:0]		
		23:16		PASPLIT15[3:0]				PASPLIT14[3:0]		
		31:24		PASPLIT17[3:0]				PASPLIT16[3:0]		
0x0270	MATRIX_PASSR12	7:0		PASPLIT11[3:0]				PASPLIT10[3:0]		
		15:8		PASPLIT13[3:0]				PASPLIT12[3:0]		
		23:16		PASPLIT15[3:0]				PASPLIT14[3:0]		
		31:24		PASPLIT17[3:0]				PASPLIT16[3:0]		
0x0274	MATRIX_PASSR13	7:0		PASPLIT11[3:0]				PASPLIT10[3:0]		
		15:8		PASPLIT13[3:0]				PASPLIT12[3:0]		
		23:16		PASPLIT15[3:0]				PASPLIT14[3:0]		
		31:24		PASPLIT17[3:0]				PASPLIT16[3:0]		
0x0278	MATRIX_PASSR14	7:0		PASPLIT11[3:0]				PASPLIT10[3:0]		
		15:8		PASPLIT13[3:0]				PASPLIT12[3:0]		
		23:16		PASPLIT15[3:0]				PASPLIT14[3:0]		
		31:24		PASPLIT17[3:0]				PASPLIT16[3:0]		
0x027C	MATRIX_PASSR15	7:0		PASPLIT11[3:0]				PASPLIT10[3:0]		
		15:8		PASPLIT13[3:0]				PASPLIT12[3:0]		
		23:16		PASPLIT15[3:0]				PASPLIT14[3:0]		
		31:24		PASPLIT17[3:0]				PASPLIT16[3:0]		
0x0280	MATRIX_PRTSR0	7:0		PRTOP1[3:0]				PRTOP0[3:0]		
		15:8		PRTOP3[3:0]				PRTOP2[3:0]		
		23:16		PRTOP5[3:0]				PRTOP4[3:0]		
		31:24		PRTOP7[3:0]				PRTOP6[3:0]		
...										
0x02BC	MATRIX_PRTSR15	7:0		PRTOP11[3:0]				PRTOP10[3:0]		
		15:8		PRTOP13[3:0]				PRTOP12[3:0]		
		23:16		PRTOP15[3:0]				PRTOP14[3:0]		
		31:24		PRTOP17[3:0]				PRTOP16[3:0]		

.....continued

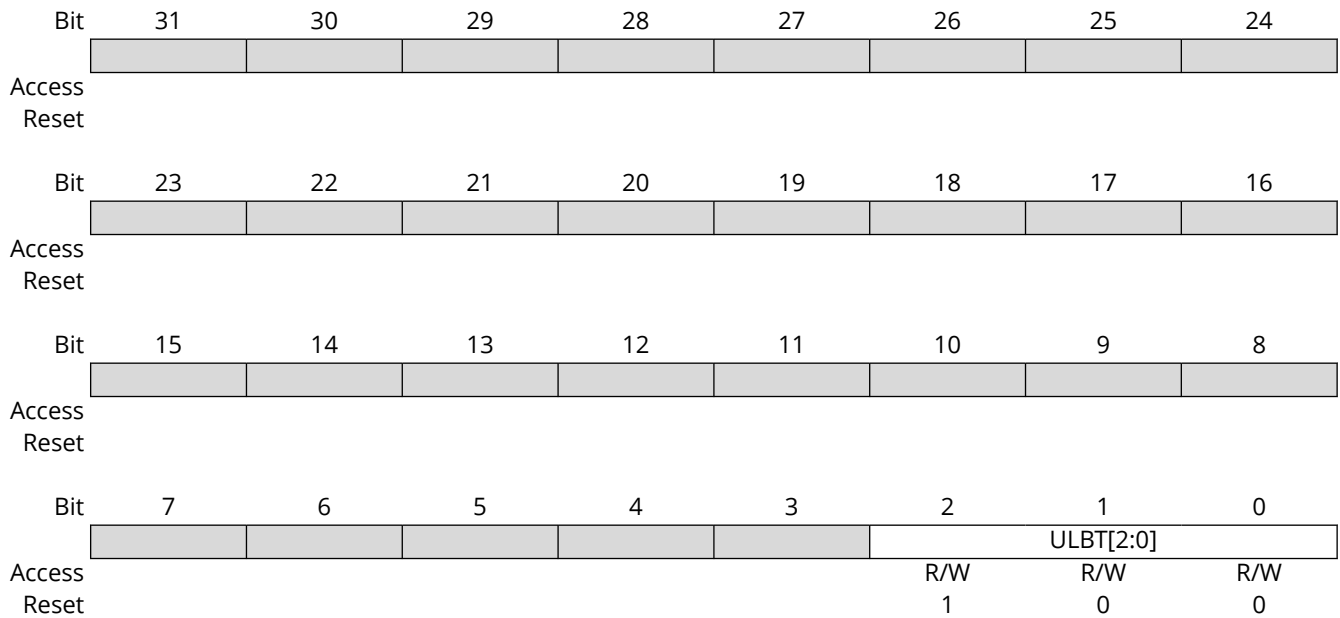
Offset	Name	Bit Pos.	7	6	5	4	3	2	1	0
0x02C0	MATRIX_PPSELRO	7:0	USERP7	USERP6	USERP5	USERP4	USERP3	USERP2	USERP1	USERP0
		15:8	USERP15	USERP14	USERP13	USERP12	USERP11	USERP10	USERP9	USERP8
		23:16	USERP23	USERP22	USERP21	USERP20	USERP19	USERP18	USERP17	USERP16
		31:24	USERP31	USERP30	USERP29	USERP28	USERP27	USERP26	USERP25	USERP24
0x02C4	MATRIX_PPSELR1	7:0	USERP7	USERP6	USERP5	USERP4	USERP3	USERP2	USERP1	USERP0
		15:8	USERP15	USERP14	USERP13	USERP12	USERP11	USERP10	USERP9	USERP8
		23:16	USERP23	USERP22	USERP21	USERP20	USERP19	USERP18	USERP17	USERP16
		31:24	USERP31	USERP30	USERP29	USERP28	USERP27	USERP26	USERP25	USERP24
0x02C8	MATRIX_PPSELR2	7:0	USERP7	USERP6	USERP5	USERP4	USERP3	USERP2	USERP1	USERP0
		15:8	USERP15	USERP14	USERP13	USERP12	USERP11	USERP10	USERP9	USERP8
		23:16	USERP23	USERP22	USERP21	USERP20	USERP19	USERP18	USERP17	USERP16
		31:24	USERP31	USERP30	USERP29	USERP28	USERP27	USERP26	USERP25	USERP24



### 17.11.1 Bus Matrix Master Configuration Register x [x=0...12]

**Name:** MATRIX\_MCFGx  
**Offset:** 0x00 + x\*0x04 [x=0..12]  
**Reset:** 0x00000004  
**Property:** Read/Write

This register can only be written if the WPEN bit is cleared in the [Write Protection Mode Register](#).



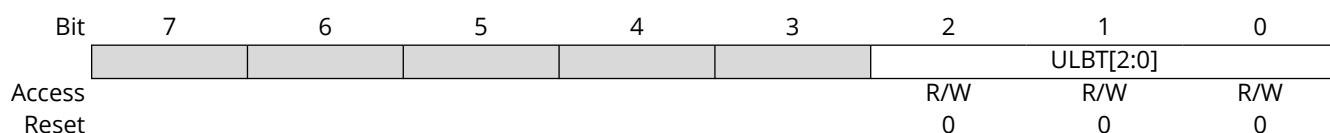
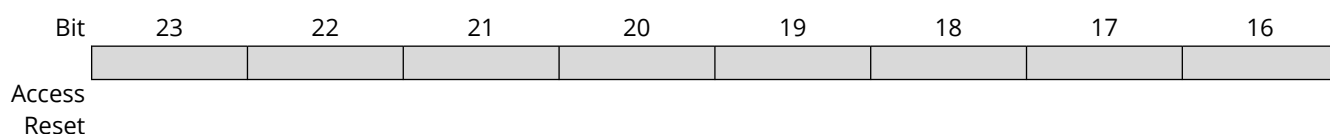
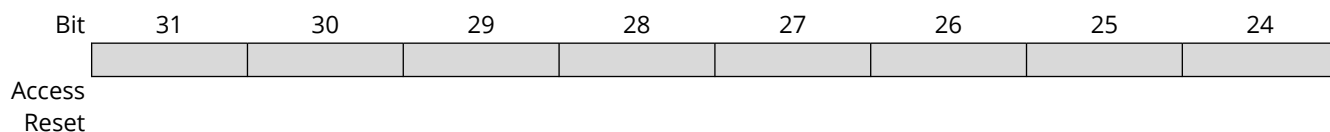
#### Bits 2:0 – ULBT[2:0] Undefined Length Burst Type

Value	Name	Description
0	UNLIMITED	<p>Unlimited Length Burst—No predicted end of burst is generated, therefore INCR bursts coming from this master can only be broken if the Slave Slot Cycle Limit is reached. If the Slot Cycle Limit is not reached, the burst is normally completed by the master, at the latest, on the next AHB 1 Kbyte address boundary, allowing up to 256-beat word bursts or 128-beat double-word bursts.</p> <p>This value should not be used in the very particular case of a master capable of performing back-to-back undefined length bursts on a single slave, since this could indefinitely freeze the slave arbitration and thus prevent another master from accessing this slave.</p>
1	SINGLE	Single Access—The undefined length burst is treated as a succession of single accesses, allowing re-arbitration at each beat of the INCR burst or bursts sequence.
2	4_BEAT	4-beat Burst—The undefined length burst or bursts sequence is split into 4-beat bursts or less, allowing re-arbitration every 4 beats.
3	8_BEAT	8-beat Burst—The undefined length burst or bursts sequence is split into 8-beat bursts or less, allowing re-arbitration every 8 beats.
4	16_BEAT	16-beat Burst—The undefined length burst or bursts sequence is split into 16-beat bursts or less, allowing re-arbitration every 16 beats.
5	32_BEAT	32-beat Burst—The undefined length burst or bursts sequence is split into 32-beat bursts or less, allowing re-arbitration every 32 beats.
6	64_BEAT	64-beat Burst—The undefined length burst or bursts sequence is split into 64-beat bursts or less, allowing re-arbitration every 64 beats.
7	128_BEAT	<p>128-beat Burst—The undefined length burst or bursts sequence is split into 128-beat bursts or less, allowing re-arbitration every 128 beats.</p> <p>Unless duly needed, the ULBT should be left at its default 0 value for power saving.</p>

### 17.11.2 Bus Matrix Master Configuration Register x [x=13..15]

**Name:** MATRIX\_MCFGx  
**Offset:** 0x34 + (x-13)\*0x04 [x=13..15]  
**Reset:** 0x00000000  
**Property:** Read/Write

This register can only be written if the WPEN bit is cleared in the [Write Protection Mode Register](#).



#### Bits 2:0 – ULBT[2:0] Undefined Length Burst Type

Value	Name	Description
0	UNLIMITED	<p>Unlimited Length Burst—No predicted end of burst is generated, therefore INCR bursts coming from this master can only be broken if the Slave Slot Cycle Limit is reached. If the Slot Cycle Limit is not reached, the burst is normally completed by the master, at the latest, on the next AHB 1 Kbyte address boundary, allowing up to 256-beat word bursts or 128-beat double-word bursts.</p> <p>This value should not be used in the very particular case of a master capable of performing back-to-back undefined length bursts on a single slave, since this could indefinitely freeze the slave arbitration and thus prevent another master from accessing this slave.</p>
1	SINGLE	Single Access—The undefined length burst is treated as a succession of single accesses, allowing re-arbitration at each beat of the INCR burst or bursts sequence.
2	4_BEAT	4-beat Burst—The undefined length burst or bursts sequence is split into 4-beat bursts or less, allowing re-arbitration every 4 beats.
3	8_BEAT	8-beat Burst—The undefined length burst or bursts sequence is split into 8-beat bursts or less, allowing re-arbitration every 8 beats.
4	16_BEAT	16-beat Burst—The undefined length burst or bursts sequence is split into 16-beat bursts or less, allowing re-arbitration every 16 beats.
5	32_BEAT	32-beat Burst—The undefined length burst or bursts sequence is split into 32-beat bursts or less, allowing re-arbitration every 32 beats.
6	64_BEAT	64-beat Burst—The undefined length burst or bursts sequence is split into 64-beat bursts or less, allowing re-arbitration every 64 beats.
7	128_BEAT	<p>128-beat Burst—The undefined length burst or bursts sequence is split into 128-beat bursts or less, allowing re-arbitration every 128 beats.</p> <p>Unless duly needed, the ULBT should be left at its default 0 value for power saving.</p>

### 17.11.3 Bus Matrix Slave Configuration Register 0

**Name:** MATRIX\_SCFG0  
**Offset:** 0x40  
**Reset:** 0x000101FF  
**Property:** Read/Write

This register can only be written if the WPEN bit is cleared in the [Write Protection Mode Register](#).

Bit	31	30	29	28	27	26	25	24
Access								
Reset								
Bit	23	22	21	20	19	18	17	16
Access			FIXED_DEFMSTR[3:0]			DEFMSTR_TYPE[1:0]		
Reset			R/W	R/W	R/W	R/W	R/W	R/W
Reset			0	0	0	0	0	1
Bit	15	14	13	12	11	10	9	8
Access								SLOT_CYCLE[8]
Reset								R/W
Reset								1
Bit	7	6	5	4	3	2	1	0
Access	SLOT_CYCLE[7:0]							
Reset	R/W	R/W	R/W	R/W	R/W	R/W	R/W	R/W
Reset	1	1	1	1	1	1	1	1

#### Bits 21:18 – FIXED\_DEFMSTR[3:0] Fixed Default Master

This is the number of the Default Master for this slave. Only used if DEFMSTR\_TYPE is 2. Specifying the number of a master which is not connected to the selected slave is equivalent to setting DEFMSTR\_TYPE to 0.

#### Bits 17:16 – DEFMSTR\_TYPE[1:0] Default Master Type

Value	Name	Description
0	NONE	No Default Master—At the end of the current slave access, if no other master request is pending, the slave is disconnected from all masters.  This results in a one clock cycle latency for the first access of a burst transfer or for a single access.
1	LAST	Last Default Master—At the end of the current slave access, if no other master request is pending, the slave stays connected to the last master having accessed it.  This results in not having one clock cycle latency when the last master tries to access the slave again.
2	FIXED	Fixed Default Master—At the end of the current slave access, if no other master request is pending, the slave connects to the fixed master the number that has been written in the FIXED_DEFMSTR field.  This results in not having one clock cycle latency when the fixed master tries to access the slave again.

#### Bits 8:0 – SLOT\_CYCLE[8:0] Maximum Bus Grant Duration for Masters

When SLOT\_CYCLE AHB clock cycles have elapsed since the last arbitration, a new arbitration takes place to let another master access this slave. If another master is requesting the slave bus, then the current master burst is broken.

If SLOT\_CYCLE = 0, the Slot Cycle Limit feature is disabled and bursts always complete unless broken according to the ULBT.

This limit has been placed in order to enforce arbitration so as to meet potential latency constraints of masters waiting for slave access.

This limit must not be too small. Unreasonably small values break every burst and the Bus Matrix arbitrates without performing any data transfer. The default maximum value is usually an optimal conservative choice.

In most cases, this feature is not needed and should be disabled for power saving.

See section [Slot Cycle Limit Arbitration](#) for details.

### 17.11.4 Bus Matrix Slave Configuration Register 1

**Name:** MATRIX\_SCFG1  
**Offset:** 0x44  
**Reset:** 0x000101FF  
**Property:** Read/Write

This register can only be written if the WPEN bit is cleared in the [Write Protection Mode Register](#).

Bit	31	30	29	28	27	26	25	24
Access								
Reset								
Bit	23	22	21	20	19	18	17	16
Access			FIXED_DEFMSTR[3:0]			DEFMSTR_TYPE[1:0]		
Reset			R/W	R/W	R/W	R/W	R/W	R/W
Reset			0	0	0	0	0	1
Bit	15	14	13	12	11	10	9	8
Access								SLOT_CYCLE[8]
Reset								R/W
Reset								1
Bit	7	6	5	4	3	2	1	0
Access	SLOT_CYCLE[7:0]							
Reset	R/W	R/W	R/W	R/W	R/W	R/W	R/W	R/W
Reset	1	1	1	1	1	1	1	1

#### Bits 21:18 – FIXED\_DEFMSTR[3:0] Fixed Default Master

This is the number of the Default Master for this slave. Only used if DEFMSTR\_TYPE is 2. Specifying the number of a master which is not connected to the selected slave is equivalent to setting DEFMSTR\_TYPE to 0.

#### Bits 17:16 – DEFMSTR\_TYPE[1:0] Default Master Type

Value	Name	Description
0	NONE	No Default Master—At the end of the current slave access, if no other master request is pending, the slave is disconnected from all masters.  This results in a one clock cycle latency for the first access of a burst transfer or for a single access.
1	LAST	Last Default Master—At the end of the current slave access, if no other master request is pending, the slave stays connected to the last master having accessed it.  This results in not having one clock cycle latency when the last master tries to access the slave again.
2	FIXED	Fixed Default Master—At the end of the current slave access, if no other master request is pending, the slave connects to the fixed master the number that has been written in the FIXED_DEFMSTR field.  This results in not having one clock cycle latency when the fixed master tries to access the slave again.

#### Bits 8:0 – SLOT\_CYCLE[8:0] Maximum Bus Grant Duration for Masters

When SLOT\_CYCLE AHB clock cycles have elapsed since the last arbitration, a new arbitration takes place to let another master access this slave. If another master is requesting the slave bus, then the current master burst is broken.

If SLOT\_CYCLE = 0, the Slot Cycle Limit feature is disabled and bursts always complete unless broken according to the ULBT.

This limit has been placed in order to enforce arbitration so as to meet potential latency constraints of masters waiting for slave access.

This limit must not be too small. Unreasonably small values break every burst and the Bus Matrix arbitrates without performing any data transfer. The default maximum value is usually an optimal conservative choice.

In most cases, this feature is not needed and should be disabled for power saving.

See section [Slot Cycle Limit Arbitration](#) for details.

### 17.11.5 Bus Matrix Slave Configuration Register 2

**Name:** MATRIX\_SCFG2  
**Offset:** 0x48  
**Reset:** 0x000201FF  
**Property:** Read/Write

This register can only be written if the WPEN bit is cleared in the [Write Protection Mode Register](#).

Bit	31	30	29	28	27	26	25	24
Access								
Reset								
Bit	23	22	21	20	19	18	17	16
Access			FIXED_DEFMSTR[3:0]			DEFMSTR_TYPE[1:0]		
Reset			R/W	R/W	R/W	R/W	R/W	R/W
Reset			0	0	0	0	1	0
Bit	15	14	13	12	11	10	9	8
Access								SLOT_CYCLE[8]
Reset								R/W
Reset								1
Bit	7	6	5	4	3	2	1	0
Access	SLOT_CYCLE[7:0]							
Reset	R/W	R/W	R/W	R/W	R/W	R/W	R/W	R/W
Reset	1	1	1	1	1	1	1	1

#### Bits 21:18 – FIXED\_DEFMSTR[3:0] Fixed Default Master

This is the number of the Default Master for this slave. Only used if DEFMSTR\_TYPE is 2. Specifying the number of a master which is not connected to the selected slave is equivalent to setting DEFMSTR\_TYPE to 0.

#### Bits 17:16 – DEFMSTR\_TYPE[1:0] Default Master Type

Value	Name	Description
0	NONE	No Default Master—At the end of the current slave access, if no other master request is pending, the slave is disconnected from all masters.  This results in a one clock cycle latency for the first access of a burst transfer or for a single access.
1	LAST	Last Default Master—At the end of the current slave access, if no other master request is pending, the slave stays connected to the last master having accessed it.  This results in not having one clock cycle latency when the last master tries to access the slave again.
2	FIXED	Fixed Default Master—At the end of the current slave access, if no other master request is pending, the slave connects to the fixed master the number that has been written in the FIXED_DEFMSTR field.  This results in not having one clock cycle latency when the fixed master tries to access the slave again.

#### Bits 8:0 – SLOT\_CYCLE[8:0] Maximum Bus Grant Duration for Masters

When SLOT\_CYCLE AHB clock cycles have elapsed since the last arbitration, a new arbitration takes place to let another master access this slave. If another master is requesting the slave bus, then the current master burst is broken.

If SLOT\_CYCLE = 0, the Slot Cycle Limit feature is disabled and bursts always complete unless broken according to the ULBT.

This limit has been placed in order to enforce arbitration so as to meet potential latency constraints of masters waiting for slave access.

This limit must not be too small. Unreasonably small values break every burst and the Bus Matrix arbitrates without performing any data transfer. The default maximum value is usually an optimal conservative choice.

In most cases, this feature is not needed and should be disabled for power saving.

See section [Slot Cycle Limit Arbitration](#) for details.



### 17.11.6 Bus Matrix Slave Configuration Register 3

**Name:** MATRIX\_SCFG3  
**Offset:** 0x4C  
**Reset:** 0x000101FF  
**Property:** Read/Write

This register can only be written if the WPEN bit is cleared in the [Write Protection Mode Register](#).

Bit	31	30	29	28	27	26	25	24
Access								
Reset								
Bit	23	22	21	20	19	18	17	16
Access			FIXED_DEFMSTR[3:0]			DEFMSTR_TYPE[1:0]		
Reset			R/W	R/W	R/W	R/W	R/W	R/W
Reset			0	0	0	0	0	1
Bit	15	14	13	12	11	10	9	8
Access								SLOT_CYCLE[8]
Reset								R/W
Reset								1
Bit	7	6	5	4	3	2	1	0
Access	SLOT_CYCLE[7:0]							
Reset	R/W	R/W	R/W	R/W	R/W	R/W	R/W	R/W
Reset	1	1	1	1	1	1	1	1

#### Bits 21:18 – FIXED\_DEFMSTR[3:0] Fixed Default Master

This is the number of the Default Master for this slave. Only used if DEFMSTR\_TYPE is 2. Specifying the number of a master which is not connected to the selected slave is equivalent to setting DEFMSTR\_TYPE to 0.

#### Bits 17:16 – DEFMSTR\_TYPE[1:0] Default Master Type

Value	Name	Description
0	NONE	No Default Master—At the end of the current slave access, if no other master request is pending, the slave is disconnected from all masters.  This results in a one clock cycle latency for the first access of a burst transfer or for a single access.
1	LAST	Last Default Master—At the end of the current slave access, if no other master request is pending, the slave stays connected to the last master having accessed it.  This results in not having one clock cycle latency when the last master tries to access the slave again.
2	FIXED	Fixed Default Master—At the end of the current slave access, if no other master request is pending, the slave connects to the fixed master the number that has been written in the FIXED_DEFMSTR field.  This results in not having one clock cycle latency when the fixed master tries to access the slave again.

#### Bits 8:0 – SLOT\_CYCLE[8:0] Maximum Bus Grant Duration for Masters

When SLOT\_CYCLE AHB clock cycles have elapsed since the last arbitration, a new arbitration takes place to let another master access this slave. If another master is requesting the slave bus, then the current master burst is broken.

If SLOT\_CYCLE = 0, the Slot Cycle Limit feature is disabled and bursts always complete unless broken according to the ULBT.

This limit has been placed in order to enforce arbitration so as to meet potential latency constraints of masters waiting for slave access.

This limit must not be too small. Unreasonably small values break every burst and the Bus Matrix arbitrates without performing any data transfer. The default maximum value is usually an optimal conservative choice.

In most cases, this feature is not needed and should be disabled for power saving.

See section [Slot Cycle Limit Arbitration](#) for details.

### 17.11.7 Bus Matrix Slave Configuration Register 4

**Name:** MATRIX\_SCFG4  
**Offset:** 0x50  
**Reset:** 0x000101FF  
**Property:** Read/Write

This register can only be written if the WPEN bit is cleared in the [Write Protection Mode Register](#).

Bit	31	30	29	28	27	26	25	24
Access								
Reset								
Bit	23	22	21	20	19	18	17	16
Access			FIXED_DEFMSTR[3:0]			DEFMSTR_TYPE[1:0]		
Reset			R/W	R/W	R/W	R/W	R/W	R/W
Reset			0	0	0	0	0	1
Bit	15	14	13	12	11	10	9	8
Access								SLOT_CYCLE[8]
Reset								R/W
Reset								1
Bit	7	6	5	4	3	2	1	0
Access	SLOT_CYCLE[7:0]							
Reset	R/W	R/W	R/W	R/W	R/W	R/W	R/W	R/W
Reset	1	1	1	1	1	1	1	1

#### Bits 21:18 – FIXED\_DEFMSTR[3:0] Fixed Default Master

This is the number of the Default Master for this slave. Only used if DEFMSTR\_TYPE is 2. Specifying the number of a master which is not connected to the selected slave is equivalent to setting DEFMSTR\_TYPE to 0.

#### Bits 17:16 – DEFMSTR\_TYPE[1:0] Default Master Type

Value	Name	Description
0	NONE	No Default Master—At the end of the current slave access, if no other master request is pending, the slave is disconnected from all masters.  This results in a one clock cycle latency for the first access of a burst transfer or for a single access.
1	LAST	Last Default Master—At the end of the current slave access, if no other master request is pending, the slave stays connected to the last master having accessed it.  This results in not having one clock cycle latency when the last master tries to access the slave again.
2	FIXED	Fixed Default Master—At the end of the current slave access, if no other master request is pending, the slave connects to the fixed master the number that has been written in the FIXED_DEFMSTR field.  This results in not having one clock cycle latency when the fixed master tries to access the slave again.

#### Bits 8:0 – SLOT\_CYCLE[8:0] Maximum Bus Grant Duration for Masters

When SLOT\_CYCLE AHB clock cycles have elapsed since the last arbitration, a new arbitration takes place to let another master access this slave. If another master is requesting the slave bus, then the current master burst is broken.

If SLOT\_CYCLE = 0, the Slot Cycle Limit feature is disabled and bursts always complete unless broken according to the ULBT.

This limit has been placed in order to enforce arbitration so as to meet potential latency constraints of masters waiting for slave access.

This limit must not be too small. Unreasonably small values break every burst and the Bus Matrix arbitrates without performing any data transfer. The default maximum value is usually an optimal conservative choice.

In most cases, this feature is not needed and should be disabled for power saving.

See section [Slot Cycle Limit Arbitration](#) for details.

### 17.11.8 Bus Matrix Slave Configuration Register 5

**Name:** MATRIX\_SCFG5  
**Offset:** 0x54  
**Reset:** 0x000201FF  
**Property:** Read/Write

This register can only be written if the WPEN bit is cleared in the [Write Protection Mode Register](#).

Bit	31	30	29	28	27	26	25	24
Access								
Reset								
Bit	23	22	21	20	19	18	17	16
Access			FIXED_DEFMSTR[3:0]			DEFMSTR_TYPE[1:0]		
Reset			R/W	R/W	R/W	R/W	R/W	R/W
Reset			0	0	0	0	1	0
Bit	15	14	13	12	11	10	9	8
Access								SLOT_CYCLE[8]
Reset								R/W
Reset								1
Bit	7	6	5	4	3	2	1	0
Access	SLOT_CYCLE[7:0]							
Reset	R/W	R/W	R/W	R/W	R/W	R/W	R/W	R/W
Reset	1	1	1	1	1	1	1	1

#### Bits 21:18 – FIXED\_DEFMSTR[3:0] Fixed Default Master

This is the number of the Default Master for this slave. Only used if DEFMSTR\_TYPE is 2. Specifying the number of a master which is not connected to the selected slave is equivalent to setting DEFMSTR\_TYPE to 0.

#### Bits 17:16 – DEFMSTR\_TYPE[1:0] Default Master Type

Value	Name	Description
0	NONE	No Default Master—At the end of the current slave access, if no other master request is pending, the slave is disconnected from all masters.  This results in a one clock cycle latency for the first access of a burst transfer or for a single access.
1	LAST	Last Default Master—At the end of the current slave access, if no other master request is pending, the slave stays connected to the last master having accessed it.  This results in not having one clock cycle latency when the last master tries to access the slave again.
2	FIXED	Fixed Default Master—At the end of the current slave access, if no other master request is pending, the slave connects to the fixed master the number that has been written in the FIXED_DEFMSTR field.  This results in not having one clock cycle latency when the fixed master tries to access the slave again.

#### Bits 8:0 – SLOT\_CYCLE[8:0] Maximum Bus Grant Duration for Masters

When SLOT\_CYCLE AHB clock cycles have elapsed since the last arbitration, a new arbitration takes place to let another master access this slave. If another master is requesting the slave bus, then the current master burst is broken.

If SLOT\_CYCLE = 0, the Slot Cycle Limit feature is disabled and bursts always complete unless broken according to the ULBT.

This limit has been placed in order to enforce arbitration so as to meet potential latency constraints of masters waiting for slave access.

This limit must not be too small. Unreasonably small values break every burst and the Bus Matrix arbitrates without performing any data transfer. The default maximum value is usually an optimal conservative choice.

In most cases, this feature is not needed and should be disabled for power saving.

See section [Slot Cycle Limit Arbitration](#) for details.

### 17.11.9 Bus Matrix Slave Configuration Register 6

**Name:** MATRIX\_SCFG6  
**Offset:** 0x58  
**Reset:** 0x000001FF  
**Property:** Read/Write

This register can only be written if the WPEN bit is cleared in the [Write Protection Mode Register](#).

Bit	31	30	29	28	27	26	25	24
Access								
Reset								
Bit	23	22	21	20	19	18	17	16
Access			FIXED_DEFMSTR[3:0]			DEFMSTR_TYPE[1:0]		
Reset			R/W	R/W	R/W	R/W	R/W	R/W
Reset			0	0	0	0	0	0
Bit	15	14	13	12	11	10	9	8
Access								SLOT_CYCLE[8]
Reset								R/W
Reset								1
Bit	7	6	5	4	3	2	1	0
Access	SLOT_CYCLE[7:0]							
Reset	R/W	R/W	R/W	R/W	R/W	R/W	R/W	R/W
Reset	1	1	1	1	1	1	1	1

#### Bits 21:18 – FIXED\_DEFMSTR[3:0] Fixed Default Master

This is the number of the Default Master for this slave. Only used if DEFMSTR\_TYPE is 2. Specifying the number of a master which is not connected to the selected slave is equivalent to setting DEFMSTR\_TYPE to 0.

#### Bits 17:16 – DEFMSTR\_TYPE[1:0] Default Master Type

Value	Name	Description
0	NONE	No Default Master—At the end of the current slave access, if no other master request is pending, the slave is disconnected from all masters.  This results in a one clock cycle latency for the first access of a burst transfer or for a single access.
1	LAST	Last Default Master—At the end of the current slave access, if no other master request is pending, the slave stays connected to the last master having accessed it.  This results in not having one clock cycle latency when the last master tries to access the slave again.
2	FIXED	Fixed Default Master—At the end of the current slave access, if no other master request is pending, the slave connects to the fixed master the number that has been written in the FIXED_DEFMSTR field.  This results in not having one clock cycle latency when the fixed master tries to access the slave again.

#### Bits 8:0 – SLOT\_CYCLE[8:0] Maximum Bus Grant Duration for Masters

When SLOT\_CYCLE AHB clock cycles have elapsed since the last arbitration, a new arbitration takes place to let another master access this slave. If another master is requesting the slave bus, then the current master burst is broken.

If SLOT\_CYCLE = 0, the Slot Cycle Limit feature is disabled and bursts always complete unless broken according to the ULBT.

This limit has been placed in order to enforce arbitration so as to meet potential latency constraints of masters waiting for slave access.

This limit must not be too small. Unreasonably small values break every burst and the Bus Matrix arbitrates without performing any data transfer. The default maximum value is usually an optimal conservative choice.

In most cases, this feature is not needed and should be disabled for power saving.

See section [Slot Cycle Limit Arbitration](#) for details.



### 17.11.10 Bus Matrix Slave Configuration Register 7

**Name:** MATRIX\_SCFG7  
**Offset:** 0x5C  
**Reset:** 0x002101FF  
**Property:** Read/Write

This register can only be written if the WPEN bit is cleared in the [Write Protection Mode Register](#).

Bit	31	30	29	28	27	26	25	24
Access								
Reset								
Bit	23	22	21	20	19	18	17	16
Access			FIXED_DEFMSTR[3:0]			DEFMSTR_TYPE[1:0]		
Reset			R/W	R/W	R/W	R/W	R/W	R/W
Reset			1	0	0	0	0	1
Bit	15	14	13	12	11	10	9	8
Access								SLOT_CYCLE[8]
Reset								R/W
Reset								1
Bit	7	6	5	4	3	2	1	0
Access	SLOT_CYCLE[7:0]							
Reset	R/W	R/W	R/W	R/W	R/W	R/W	R/W	R/W
Reset	1	1	1	1	1	1	1	1

#### Bits 21:18 – FIXED\_DEFMSTR[3:0] Fixed Default Master

This is the number of the Default Master for this slave. Only used if DEFMSTR\_TYPE is 2. Specifying the number of a master which is not connected to the selected slave is equivalent to setting DEFMSTR\_TYPE to 0.

#### Bits 17:16 – DEFMSTR\_TYPE[1:0] Default Master Type

Value	Name	Description
0	NONE	No Default Master—At the end of the current slave access, if no other master request is pending, the slave is disconnected from all masters.  This results in a one clock cycle latency for the first access of a burst transfer or for a single access.
1	LAST	Last Default Master—At the end of the current slave access, if no other master request is pending, the slave stays connected to the last master having accessed it.  This results in not having one clock cycle latency when the last master tries to access the slave again.
2	FIXED	Fixed Default Master—At the end of the current slave access, if no other master request is pending, the slave connects to the fixed master the number that has been written in the FIXED_DEFMSTR field.  This results in not having one clock cycle latency when the fixed master tries to access the slave again.

#### Bits 8:0 – SLOT\_CYCLE[8:0] Maximum Bus Grant Duration for Masters

When SLOT\_CYCLE AHB clock cycles have elapsed since the last arbitration, a new arbitration takes place to let another master access this slave. If another master is requesting the slave bus, then the current master burst is broken.

If SLOT\_CYCLE = 0, the Slot Cycle Limit feature is disabled and bursts always complete unless broken according to the ULBT.

This limit has been placed in order to enforce arbitration so as to meet potential latency constraints of masters waiting for slave access.

This limit must not be too small. Unreasonably small values break every burst and the Bus Matrix arbitrates without performing any data transfer. The default maximum value is usually an optimal conservative choice.

In most cases, this feature is not needed and should be disabled for power saving.

See section [Slot Cycle Limit Arbitration](#) for details.

### 17.11.11 Bus Matrix Slave Configuration Register 8

**Name:** MATRIX\_SCFG8  
**Offset:** 0x60  
**Reset:** 0x000201FF  
**Property:** Read/Write

This register can only be written if the WPEN bit is cleared in the [Write Protection Mode Register](#).

Bit	31	30	29	28	27	26	25	24
Access								
Reset								
Bit	23	22	21	20	19	18	17	16
Access			FIXED_DEFMSTR[3:0]			DEFMSTR_TYPE[1:0]		
Reset			R/W	R/W	R/W	R/W	R/W	R/W
Reset			0	0	0	0	1	0
Bit	15	14	13	12	11	10	9	8
Access								SLOT_CYCLE[8]
Reset								R/W
Reset								1
Bit	7	6	5	4	3	2	1	0
Access	SLOT_CYCLE[7:0]							
Reset	R/W	R/W	R/W	R/W	R/W	R/W	R/W	R/W
Reset	1	1	1	1	1	1	1	1

#### Bits 21:18 – FIXED\_DEFMSTR[3:0] Fixed Default Master

This is the number of the Default Master for this slave. Only used if DEFMSTR\_TYPE is 2. Specifying the number of a master which is not connected to the selected slave is equivalent to setting DEFMSTR\_TYPE to 0.

#### Bits 17:16 – DEFMSTR\_TYPE[1:0] Default Master Type

Value	Name	Description
0	NONE	No Default Master—At the end of the current slave access, if no other master request is pending, the slave is disconnected from all masters.  This results in a one clock cycle latency for the first access of a burst transfer or for a single access.
1	LAST	Last Default Master—At the end of the current slave access, if no other master request is pending, the slave stays connected to the last master having accessed it.  This results in not having one clock cycle latency when the last master tries to access the slave again.
2	FIXED	Fixed Default Master—At the end of the current slave access, if no other master request is pending, the slave connects to the fixed master the number that has been written in the FIXED_DEFMSTR field.  This results in not having one clock cycle latency when the fixed master tries to access the slave again.

#### Bits 8:0 – SLOT\_CYCLE[8:0] Maximum Bus Grant Duration for Masters

When SLOT\_CYCLE AHB clock cycles have elapsed since the last arbitration, a new arbitration takes place to let another master access this slave. If another master is requesting the slave bus, then the current master burst is broken.

If SLOT\_CYCLE = 0, the Slot Cycle Limit feature is disabled and bursts always complete unless broken according to the ULBT.

This limit has been placed in order to enforce arbitration so as to meet potential latency constraints of masters waiting for slave access.

This limit must not be too small. Unreasonably small values break every burst and the Bus Matrix arbitrates without performing any data transfer. The default maximum value is usually an optimal conservative choice.

In most cases, this feature is not needed and should be disabled for power saving.

See section [Slot Cycle Limit Arbitration](#) for details.

### 17.11.12 Bus Matrix Slave Configuration Register x [x=9..15]

**Name:** MATRIX\_SCFGx  
**Offset:** 0x64 + (x-9)\*0x04 [x=9..15]  
**Reset:** 0x00000000  
**Property:** Read/Write

This register can only be written if the WPEN bit is cleared in the [Write Protection Mode Register](#).

Bit	31	30	29	28	27	26	25	24
Access								
Reset								
Bit	23	22	21	20	19	18	17	16
Access			FIXED_DEFMSTR[3:0]			DEFMSTR_TYPE[1:0]		
Reset			R/W	R/W	R/W	R/W	R/W	R/W
Reset			0	0	0	0	0	0
Bit	15	14	13	12	11	10	9	8
Access								SLOT_CYCLE[8]
Reset								R/W
Reset								0
Bit	7	6	5	4	3	2	1	0
Access	SLOT_CYCLE[7:0]							
Reset	R/W	R/W	R/W	R/W	R/W	R/W	R/W	R/W
Reset	0	0	0	0	0	0	0	0

#### Bits 21:18 – FIXED\_DEFMSTR[3:0] Fixed Default Master

This is the number of the Default Master for this slave. Only used if DEFMSTR\_TYPE is 2. Specifying the number of a master which is not connected to the selected slave is equivalent to setting DEFMSTR\_TYPE to 0.

#### Bits 17:16 – DEFMSTR\_TYPE[1:0] Default Master Type

Value	Name	Description
0	NONE	No Default Master—At the end of the current slave access, if no other master request is pending, the slave is disconnected from all masters.  This results in a one clock cycle latency for the first access of a burst transfer or for a single access.
1	LAST	Last Default Master—At the end of the current slave access, if no other master request is pending, the slave stays connected to the last master having accessed it.  This results in not having one clock cycle latency when the last master tries to access the slave again.
2	FIXED	Fixed Default Master—At the end of the current slave access, if no other master request is pending, the slave connects to the fixed master the number that has been written in the FIXED_DEFMSTR field.  This results in not having one clock cycle latency when the fixed master tries to access the slave again.

#### Bits 8:0 – SLOT\_CYCLE[8:0] Maximum Bus Grant Duration for Masters

When SLOT\_CYCLE AHB clock cycles have elapsed since the last arbitration, a new arbitration takes place to let another master access this slave. If another master is requesting the slave bus, then the current master burst is broken.

If SLOT\_CYCLE = 0, the Slot Cycle Limit feature is disabled and bursts always complete unless broken according to the ULBT.

This limit has been placed in order to enforce arbitration so as to meet potential latency constraints of masters waiting for slave access.

This limit must not be too small. Unreasonably small values break every burst and the Bus Matrix arbitrates without performing any data transfer. The default maximum value is usually an optimal conservative choice.

In most cases, this feature is not needed and should be disabled for power saving.

See section [Slot Cycle Limit Arbitration](#) for details.

### 17.11.13 Bus Matrix Priority Register A For Slave 0

**Name:** MATRIX\_PRAS0  
**Offset:** 0x80  
**Reset:** 0x00007000  
**Property:** Read/Write

This register can only be written if the WPEN bit is cleared in the [Write Protection Mode Register](#).

Values in the Bus Matrix Priority Registers are product-dependent.

Bit	31	30	29	28	27	26	25	24
		LQOSEN7	M7PR[1:0]			LQOSEN6	M6PR[1:0]	
Access		R/W	R/W	R/W		R/W	R/W	R/W
Reset		0	0	0		0	0	0
Bit	23	22	21	20	19	18	17	16
		LQOSEN5	M5PR[1:0]			LQOSEN4	M4PR[1:0]	
Access		R/W	R/W	R/W		R/W	R/W	R/W
Reset		0	0	0		0	0	0
Bit	15	14	13	12	11	10	9	8
		LQOSEN3	M3PR[1:0]			LQOSEN2	M2PR[1:0]	
Access		R/W	R/W	R/W		R/W	R/W	R/W
Reset		1	1	1		0	0	0
Bit	7	6	5	4	3	2	1	0
		LQOSEN1	M1PR[1:0]			LQOSEN0	M0PR[1:0]	
Access		R/W	R/W	R/W		R/W	R/W	R/W
Reset		0	0	0		0	0	0

#### Bits 2, 6, 10, 14, 18, 22, 26, 30 – LQOSENx Latency Quality of Service Enable for Master x

Value	Description
0	Disables propagation of Latency Quality of Service from the Master x to the Slave and apply MxPR priority for all access from Master x to the Slave.
1	Enables the propagation of Latency Quality of Service from the Master x to the Slave if supported by the Master x.

#### Bits 0:1, 4:5, 8:9, 12:13, 16:17, 20:21, 24:25, 28:29 – MxPR Master x Priority

Fixed priority of Master x for accessing the selected slave. The higher the number, the higher the priority.

All the masters programmed with the same MxPR value for the slave make up a priority pool. Round-robin arbitration is used in the lowest (MxPR = 0) and highest (MxPR = 3) priority pools. Fixed priority is used in intermediate priority pools (MxPR = 1) and (MxPR = 2).

See section [Arbitration Priority Scheme](#) for details.

If LQOSENx bit is cleared, then this priority value is used as it for arbitration and downward propagation to the slave. If LQOSENx bit is set, then this priority acts as the upper limit for the Latency Quality of Service from Master x.

For masters other than the CPU, the usual value of this field should be 0x0 if LQOSENx bit is cleared, and 0x1 if LQOSENx bit is set. For the CPU master, the usual value of this field should be 0x2.

### 17.11.14 Bus Matrix Priority Register B For Slave 0

**Name:** MATRIX\_PRBS0  
**Offset:** 0x84  
**Reset:** 0x00030000  
**Property:** Read/Write

This register can only be written if the WPEN bit is cleared in the [Write Protection Mode Register](#).

Values in the Bus Matrix Priority Registers are product-dependent.

Bit	31	30	29	28	27	26	25	24
		LQOSEN15	M15PR[1:0]			LQOSEN14	M14PR[1:0]	
Access		R/W	R/W	R/W		R/W	R/W	R/W
Reset		0	0	0		0	0	0
Bit	23	22	21	20	19	18	17	16
		LQOSEN13	M13PR[1:0]			LQOSEN12	M12PR[1:0]	
Access		R/W	R/W	R/W		R/W	R/W	R/W
Reset		0	0	0		0	1	1
Bit	15	14	13	12	11	10	9	8
		LQOSEN11	M11PR[1:0]			LQOSEN10	M10PR[1:0]	
Access		R/W	R/W	R/W		R/W	R/W	R/W
Reset		0	0	0		0	0	0
Bit	7	6	5	4	3	2	1	0
		LQOSEN9	M9PR[1:0]			LQOSEN8	M8PR[1:0]	
Access		R/W	R/W	R/W		R/W	R/W	R/W
Reset		0	0	0		0	0	0

#### Bits 2, 6, 10, 14, 18, 22, 26, 30 – LQOSENx Latency Quality of Service Enable for Master x

Value	Description
0	Disables propagation of Latency Quality of Service from the Master x to the Slave and apply MxPR priority for all access from Master x to the Slave.
1	Enables the propagation of Latency Quality of Service from the Master x to the Slave if supported by the Master x.

#### Bits 0:1, 4:5, 8:9, 12:13, 16:17, 20:21, 24:25, 28:29 – MxPR Master x Priority

Fixed priority of Master x for accessing the selected slave. The higher the number, the higher the priority.

All the masters programmed with the same MxPR value for the slave make up a priority pool. Round-robin arbitration is used in the lowest (MxPR = 0) and highest (MxPR = 3) priority pools. Fixed priority is used in intermediate priority pools (MxPR = 1) and (MxPR = 2).

See section [Arbitration Priority Scheme](#) for details.

If LQOSENx bit is cleared, then this priority value is used as it for arbitration and downward propagation to the slave. If LQOSENx bit is set, then this priority acts as the upper limit for the Latency Quality of Service from Master x.

For masters other than the CPU, the usual value of this field should be 0x0 if LQOSENx bit is cleared, and 0x1 if LQOSENx bit is set. For the CPU master, the usual value of this field should be 0x2.



### 17.11.15 Bus Matrix Priority Register A For Slave 1

**Name:** MATRIX\_PRAS1  
**Offset:** 0x88  
**Reset:** 0x07000000  
**Property:** Read/Write

This register can only be written if the WPEN bit is cleared in the [Write Protection Mode Register](#).

Values in the Bus Matrix Priority Registers are product-dependent.

Bit	31	30	29	28	27	26	25	24
		LQOSEN7	M7PR[1:0]			LQOSEN6	M6PR[1:0]	
Access		R/W	R/W	R/W		R/W	R/W	R/W
Reset		0	0	0		1	1	1
Bit	23	22	21	20	19	18	17	16
		LQOSEN5	M5PR[1:0]			LQOSEN4	M4PR[1:0]	
Access		R/W	R/W	R/W		R/W	R/W	R/W
Reset		0	0	0		0	0	0
Bit	15	14	13	12	11	10	9	8
		LQOSEN3	M3PR[1:0]			LQOSEN2	M2PR[1:0]	
Access		R/W	R/W	R/W		R/W	R/W	R/W
Reset		0	0	0		0	0	0
Bit	7	6	5	4	3	2	1	0
		LQOSEN1	M1PR[1:0]			LQOSEN0	M0PR[1:0]	
Access		R/W	R/W	R/W		R/W	R/W	R/W
Reset		0	0	0		0	0	0

#### Bits 2, 6, 10, 14, 18, 22, 26, 30 – LQOSENx Latency Quality of Service Enable for Master x

Value	Description
0	Disables propagation of Latency Quality of Service from the Master x to the Slave and apply MxPR priority for all access from Master x to the Slave.
1	Enables the propagation of Latency Quality of Service from the Master x to the Slave if supported by the Master x.

#### Bits 0:1, 4:5, 8:9, 12:13, 16:17, 20:21, 24:25, 28:29 – MxPR Master x Priority

Fixed priority of Master x for accessing the selected slave. The higher the number, the higher the priority.

All the masters programmed with the same MxPR value for the slave make up a priority pool. Round-robin arbitration is used in the lowest (MxPR = 0) and highest (MxPR = 3) priority pools. Fixed priority is used in intermediate priority pools (MxPR = 1) and (MxPR = 2).

See section [Arbitration Priority Scheme](#) for details.

If LQOSENx bit is cleared, then this priority value is used as it for arbitration and downward propagation to the slave. If LQOSENx bit is set, then this priority acts as the upper limit for the Latency Quality of Service from Master x.

For masters other than the CPU, the usual value of this field should be 0x0 if LQOSENx bit is cleared, and 0x1 if LQOSENx bit is set. For the CPU master, the usual value of this field should be 0x2.

### 17.11.16 Bus Matrix Priority Register B For Slave 1

**Name:** MATRIX\_PRBS1  
**Offset:** 0x8C  
**Reset:** 0x00000000  
**Property:** Read/Write

This register can only be written if the WPEN bit is cleared in the [Write Protection Mode Register](#).

Values in the Bus Matrix Priority Registers are product-dependent.

Bit	31	30	29	28	27	26	25	24
		LQOSEN15	M15PR[1:0]			LQOSEN14	M14PR[1:0]	
Access		R/W	R/W	R/W		R/W	R/W	R/W
Reset		0	0	0		0	0	0
Bit	23	22	21	20	19	18	17	16
		LQOSEN13	M13PR[1:0]			LQOSEN12	M12PR[1:0]	
Access		R/W	R/W	R/W		R/W	R/W	R/W
Reset		0	0	0		0	0	0
Bit	15	14	13	12	11	10	9	8
		LQOSEN11	M11PR[1:0]			LQOSEN10	M10PR[1:0]	
Access		R/W	R/W	R/W		R/W	R/W	R/W
Reset		0	0	0		0	0	0
Bit	7	6	5	4	3	2	1	0
		LQOSEN9	M9PR[1:0]			LQOSEN8	M8PR[1:0]	
Access		R/W	R/W	R/W		R/W	R/W	R/W
Reset		0	0	0		0	0	0

#### Bits 2, 6, 10, 14, 18, 22, 26, 30 – LQOSENx Latency Quality of Service Enable for Master x

Value	Description
0	Disables propagation of Latency Quality of Service from the Master x to the Slave and apply MxPR priority for all access from Master x to the Slave.
1	Enables the propagation of Latency Quality of Service from the Master x to the Slave if supported by the Master x.

#### Bits 0:1, 4:5, 8:9, 12:13, 16:17, 20:21, 24:25, 28:29 – MxPR Master x Priority

Fixed priority of Master x for accessing the selected slave. The higher the number, the higher the priority.

All the masters programmed with the same MxPR value for the slave make up a priority pool. Round-robin arbitration is used in the lowest (MxPR = 0) and highest (MxPR = 3) priority pools. Fixed priority is used in intermediate priority pools (MxPR = 1) and (MxPR = 2).

See section [Arbitration Priority Scheme](#) for details.

If LQOSENx bit is cleared, then this priority value is used as it for arbitration and downward propagation to the slave. If LQOSENx bit is set, then this priority acts as the upper limit for the Latency Quality of Service from Master x.

For masters other than the CPU, the usual value of this field should be 0x0 if LQOSENx bit is cleared, and 0x1 if LQOSENx bit is set. For the CPU master, the usual value of this field should be 0x2.

### 17.11.17 Bus Matrix Priority Register A For Slave 2

**Name:** MATRIX\_PRAS2  
**Offset:** 0x90  
**Reset:** 0x00007002  
**Property:** Read/Write

This register can only be written if the WPEN bit is cleared in the [Write Protection Mode Register](#).

Values in the Bus Matrix Priority Registers are product-dependent.

Bit	31	30	29	28	27	26	25	24
		LQOSEN7	M7PR[1:0]			LQOSEN6	M6PR[1:0]	
Access		R/W	R/W	R/W		R/W	R/W	R/W
Reset		0	0	0		0	0	0
Bit	23	22	21	20	19	18	17	16
		LQOSEN5	M5PR[1:0]			LQOSEN4	M4PR[1:0]	
Access		R/W	R/W	R/W		R/W	R/W	R/W
Reset		0	0	0		0	0	0
Bit	15	14	13	12	11	10	9	8
		LQOSEN3	M3PR[1:0]			LQOSEN2	M2PR[1:0]	
Access		R/W	R/W	R/W		R/W	R/W	R/W
Reset		1	1	1		0	0	0
Bit	7	6	5	4	3	2	1	0
		LQOSEN1	M1PR[1:0]			LQOSEN0	M0PR[1:0]	
Access		R/W	R/W	R/W		R/W	R/W	R/W
Reset		0	0	0		0	1	0

#### Bits 2, 6, 10, 14, 18, 22, 26, 30 – LQOSENx Latency Quality of Service Enable for Master x

Value	Description
0	Disables propagation of Latency Quality of Service from the Master x to the Slave and apply MxPR priority for all access from Master x to the Slave.
1	Enables the propagation of Latency Quality of Service from the Master x to the Slave if supported by the Master x.

#### Bits 0:1, 4:5, 8:9, 12:13, 16:17, 20:21, 24:25, 28:29 – MxPR Master x Priority

Fixed priority of Master x for accessing the selected slave. The higher the number, the higher the priority.

All the masters programmed with the same MxPR value for the slave make up a priority pool. Round-robin arbitration is used in the lowest (MxPR = 0) and highest (MxPR = 3) priority pools. Fixed priority is used in intermediate priority pools (MxPR = 1) and (MxPR = 2).

See section [Arbitration Priority Scheme](#) for details.

If LQOSENx bit is cleared, then this priority value is used as it for arbitration and downward propagation to the slave. If LQOSENx bit is set, then this priority acts as the upper limit for the Latency Quality of Service from Master x.

For masters other than the CPU, the usual value of this field should be 0x0 if LQOSENx bit is cleared, and 0x1 if LQOSENx bit is set. For the CPU master, the usual value of this field should be 0x2.

### 17.11.18 Bus Matrix Priority Register B for Slave 2

**Name:** MATRIX\_PRBS2  
**Offset:** 0x94  
**Reset:** 0x00030000  
**Property:** Read/Write

This register can only be written if the WPEN bit is cleared in the [Write Protection Mode Register](#).

Values in the Bus Matrix Priority Registers are product-dependent.

Bit	31	30	29	28	27	26	25	24
		LQOSEN15	M15PR[1:0]			LQOSEN14	M14PR[1:0]	
Access		R/W	R/W	R/W		R/W	R/W	R/W
Reset		0	0	0		0	0	0
Bit	23	22	21	20	19	18	17	16
		LQOSEN13	M13PR[1:0]			LQOSEN12	M12PR[1:0]	
Access		R/W	R/W	R/W		R/W	R/W	R/W
Reset		0	0	0		0	1	1
Bit	15	14	13	12	11	10	9	8
		LQOSEN11	M11PR[1:0]			LQOSEN10	M10PR[1:0]	
Access		R/W	R/W	R/W		R/W	R/W	R/W
Reset		0	0	0		0	0	0
Bit	7	6	5	4	3	2	1	0
		LQOSEN9	M9PR[1:0]			LQOSEN8	M8PR[1:0]	
Access		R/W	R/W	R/W		R/W	R/W	R/W
Reset		0	0	0		0	0	0

#### Bits 2, 6, 10, 14, 18, 22, 26, 30 – LQOSENx Latency Quality of Service Enable for Master x

Value	Description
0	Disables propagation of Latency Quality of Service from the Master x to the Slave and apply MxPR priority for all access from Master x to the Slave.
1	Enables the propagation of Latency Quality of Service from the Master x to the Slave if supported by the Master x.

#### Bits 0:1, 4:5, 8:9, 12:13, 16:17, 20:21, 24:25, 28:29 – MxPR Master x Priority

Fixed priority of Master x for accessing the selected slave. The higher the number, the higher the priority.

All the masters programmed with the same MxPR value for the slave make up a priority pool. Round-robin arbitration is used in the lowest (MxPR = 0) and highest (MxPR = 3) priority pools. Fixed priority is used in intermediate priority pools (MxPR = 1) and (MxPR = 2).

See section [Arbitration Priority Scheme](#) for details.

If LQOSENx bit is cleared, then this priority value is used as it for arbitration and downward propagation to the slave. If LQOSENx bit is set, then this priority acts as the upper limit for the Latency Quality of Service from Master x.

For masters other than the CPU, the usual value of this field should be 0x0 if LQOSENx bit is cleared, and 0x1 if LQOSENx bit is set. For the CPU master, the usual value of this field should be 0x2.

### 17.11.19 Bus Matrix Priority Register A For Slave 3

**Name:** MATRIX\_PRAS3  
**Offset:** 0x98  
**Reset:** 0x07000002  
**Property:** Read/Write

This register can only be written if the WPEN bit is cleared in the [Write Protection Mode Register](#).

Values in the Bus Matrix Priority Registers are product-dependent.

Bit	31	30	29	28	27	26	25	24
		LQOSEN7	M7PR[1:0]			LQOSEN6	M6PR[1:0]	
Access		R/W	R/W	R/W		R/W	R/W	R/W
Reset		0	0	0		1	1	1
Bit	23	22	21	20	19	18	17	16
		LQOSEN5	M5PR[1:0]			LQOSEN4	M4PR[1:0]	
Access		R/W	R/W	R/W		R/W	R/W	R/W
Reset		0	0	0		0	0	0
Bit	15	14	13	12	11	10	9	8
		LQOSEN3	M3PR[1:0]			LQOSEN2	M2PR[1:0]	
Access		R/W	R/W	R/W		R/W	R/W	R/W
Reset		0	0	0		0	0	0
Bit	7	6	5	4	3	2	1	0
		LQOSEN1	M1PR[1:0]			LQOSEN0	M0PR[1:0]	
Access		R/W	R/W	R/W		R/W	R/W	R/W
Reset		0	0	0		0	1	0

#### Bits 2, 6, 10, 14, 18, 22, 26, 30 – LQOSENx Latency Quality of Service Enable for Master x

Value	Description
0	Disables propagation of Latency Quality of Service from the Master x to the Slave and apply MxPR priority for all access from Master x to the Slave.
1	Enables the propagation of Latency Quality of Service from the Master x to the Slave if supported by the Master x.

#### Bits 0:1, 4:5, 8:9, 12:13, 16:17, 20:21, 24:25, 28:29 – MxPR Master x Priority

Fixed priority of Master x for accessing the selected slave. The higher the number, the higher the priority.

All the masters programmed with the same MxPR value for the slave make up a priority pool. Round-robin arbitration is used in the lowest (MxPR = 0) and highest (MxPR = 3) priority pools. Fixed priority is used in intermediate priority pools (MxPR = 1) and (MxPR = 2).

See section [Arbitration Priority Scheme](#) for details.

If LQOSENx bit is cleared, then this priority value is used as it for arbitration and downward propagation to the slave. If LQOSENx bit is set, then this priority acts as the upper limit for the Latency Quality of Service from Master x.

For masters other than the CPU, the usual value of this field should be 0x0 if LQOSENx bit is cleared, and 0x1 if LQOSENx bit is set. For the CPU master, the usual value of this field should be 0x2.

### 17.11.20 Bus Matrix Priority Register B for Slave 3

**Name:** MATRIX\_PRBS3  
**Offset:** 0x9C  
**Reset:** 0x00030000  
**Property:** Read/Write

This register can only be written if the WPEN bit is cleared in the [Write Protection Mode Register](#).

Values in the Bus Matrix Priority Registers are product-dependent.

Bit	31	30	29	28	27	26	25	24
		LQOSEN15	M15PR[1:0]			LQOSEN14	M14PR[1:0]	
Access		R/W	R/W	R/W		R/W	R/W	R/W
Reset		0	0	0		0	0	0
Bit	23	22	21	20	19	18	17	16
		LQOSEN13	M13PR[1:0]			LQOSEN12	M12PR[1:0]	
Access		R/W	R/W	R/W		R/W	R/W	R/W
Reset		0	0	0		0	1	1
Bit	15	14	13	12	11	10	9	8
		LQOSEN11	M11PR[1:0]			LQOSEN10	M10PR[1:0]	
Access		R/W	R/W	R/W		R/W	R/W	R/W
Reset		0	0	0		0	0	0
Bit	7	6	5	4	3	2	1	0
		LQOSEN9	M9PR[1:0]			LQOSEN8	M8PR[1:0]	
Access		R/W	R/W	R/W		R/W	R/W	R/W
Reset		0	0	0		0	0	0

#### Bits 2, 6, 10, 14, 18, 22, 26, 30 – LQOSENx Latency Quality of Service Enable for Master x

Value	Description
0	Disables propagation of Latency Quality of Service from the Master x to the Slave and apply MxPR priority for all access from Master x to the Slave.
1	Enables the propagation of Latency Quality of Service from the Master x to the Slave if supported by the Master x.

#### Bits 0:1, 4:5, 8:9, 12:13, 16:17, 20:21, 24:25, 28:29 – MxPR Master x Priority

Fixed priority of Master x for accessing the selected slave. The higher the number, the higher the priority.

All the masters programmed with the same MxPR value for the slave make up a priority pool. Round-robin arbitration is used in the lowest (MxPR = 0) and highest (MxPR = 3) priority pools. Fixed priority is used in intermediate priority pools (MxPR = 1) and (MxPR = 2).

See section [Arbitration Priority Scheme](#) for details.

If LQOSENx bit is cleared, then this priority value is used as it for arbitration and downward propagation to the slave. If LQOSENx bit is set, then this priority acts as the upper limit for the Latency Quality of Service from Master x.

For masters other than the CPU, the usual value of this field should be 0x0 if LQOSENx bit is cleared, and 0x1 if LQOSENx bit is set. For the CPU master, the usual value of this field should be 0x2.

### 17.11.21 Bus Matrix Priority Register A For Slave 4

**Name:** MATRIX\_PRAS4  
**Offset:** 0xA0  
**Reset:** 0x00000002  
**Property:** Read/Write

This register can only be written if the WPEN bit is cleared in the [Write Protection Mode Register](#).

Values in the Bus Matrix Priority Registers are product-dependent.

Bit	31	30	29	28	27	26	25	24
		LQOSEN7	M7PR[1:0]			LQOSEN6	M6PR[1:0]	
Access		R/W	R/W	R/W		R/W	R/W	R/W
Reset		0	0	0		0	0	0
Bit	23	22	21	20	19	18	17	16
		LQOSEN5	M5PR[1:0]			LQOSEN4	M4PR[1:0]	
Access		R/W	R/W	R/W		R/W	R/W	R/W
Reset		0	0	0		0	0	0
Bit	15	14	13	12	11	10	9	8
		LQOSEN3	M3PR[1:0]			LQOSEN2	M2PR[1:0]	
Access		R/W	R/W	R/W		R/W	R/W	R/W
Reset		0	0	0		0	0	0
Bit	7	6	5	4	3	2	1	0
		LQOSEN1	M1PR[1:0]			LQOSEN0	M0PR[1:0]	
Access		R/W	R/W	R/W		R/W	R/W	R/W
Reset		0	0	0		0	1	0

#### Bits 2, 6, 10, 14, 18, 22, 26, 30 – LQOSENx Latency Quality of Service Enable for Master x

Value	Description
0	Disables propagation of Latency Quality of Service from the Master x to the Slave and apply MxPR priority for all access from Master x to the Slave.
1	Enables the propagation of Latency Quality of Service from the Master x to the Slave if supported by the Master x.

#### Bits 0:1, 4:5, 8:9, 12:13, 16:17, 20:21, 24:25, 28:29 – MxPR Master x Priority

Fixed priority of Master x for accessing the selected slave. The higher the number, the higher the priority.

All the masters programmed with the same MxPR value for the slave make up a priority pool. Round-robin arbitration is used in the lowest (MxPR = 0) and highest (MxPR = 3) priority pools. Fixed priority is used in intermediate priority pools (MxPR = 1) and (MxPR = 2).

See section [Arbitration Priority Scheme](#) for details.

If LQOSENx bit is cleared, then this priority value is used as it for arbitration and downward propagation to the slave. If LQOSENx bit is set, then this priority acts as the upper limit for the Latency Quality of Service from Master x.

For masters other than the CPU, the usual value of this field should be 0x0 if LQOSENx bit is cleared, and 0x1 if LQOSENx bit is set. For the CPU master, the usual value of this field should be 0x2.

### 17.11.22 Bus Matrix Priority Register B for Slave 4

**Name:** MATRIX\_PRBS4  
**Offset:** 0xA4  
**Reset:** 0x00000000  
**Property:** Read/Write

This register can only be written if the WPEN bit is cleared in the [Write Protection Mode Register](#).

Values in the Bus Matrix Priority Registers are product-dependent.

Bit	31	30	29	28	27	26	25	24
		LQOSEN15	M15PR[1:0]			LQOSEN14	M14PR[1:0]	
Access		R/W	R/W	R/W		R/W	R/W	R/W
Reset		0	0	0		0	0	0
Bit	23	22	21	20	19	18	17	16
		LQOSEN13	M13PR[1:0]			LQOSEN12	M12PR[1:0]	
Access		R/W	R/W	R/W		R/W	R/W	R/W
Reset		0	0	0		0	0	0
Bit	15	14	13	12	11	10	9	8
		LQOSEN11	M11PR[1:0]			LQOSEN10	M10PR[1:0]	
Access		R/W	R/W	R/W		R/W	R/W	R/W
Reset		0	0	0		0	0	0
Bit	7	6	5	4	3	2	1	0
		LQOSEN9	M9PR[1:0]			LQOSEN8	M8PR[1:0]	
Access		R/W	R/W	R/W		R/W	R/W	R/W
Reset		0	0	0		0	0	0

#### Bits 2, 6, 10, 14, 18, 22, 26, 30 – LQOSENx Latency Quality of Service Enable for Master x

Value	Description
0	Disables propagation of Latency Quality of Service from the Master x to the Slave and apply MxPR priority for all access from Master x to the Slave.
1	Enables the propagation of Latency Quality of Service from the Master x to the Slave if supported by the Master x.

#### Bits 0:1, 4:5, 8:9, 12:13, 16:17, 20:21, 24:25, 28:29 – MxPR Master x Priority

Fixed priority of Master x for accessing the selected slave. The higher the number, the higher the priority.

All the masters programmed with the same MxPR value for the slave make up a priority pool. Round-robin arbitration is used in the lowest (MxPR = 0) and highest (MxPR = 3) priority pools. Fixed priority is used in intermediate priority pools (MxPR = 1) and (MxPR = 2).

See section [Arbitration Priority Scheme](#) for details.

If LQOSENx bit is cleared, then this priority value is used as it for arbitration and downward propagation to the slave. If LQOSENx bit is set, then this priority acts as the upper limit for the Latency Quality of Service from Master x.

For masters other than the CPU, the usual value of this field should be 0x0 if LQOSENx bit is cleared, and 0x1 if LQOSENx bit is set. For the CPU master, the usual value of this field should be 0x2.



### 17.11.23 Bus Matrix Priority Register A For Slave 5

**Name:** MATRIX\_PRAS5  
**Offset:** 0xA8  
**Reset:** 0x00007220  
**Property:** Read/Write

This register can only be written if the WPEN bit is cleared in the [Write Protection Mode Register](#).

Values in the Bus Matrix Priority Registers are product-dependent.

Bit	31	30	29	28	27	26	25	24
		LQOSEN7	M7PR[1:0]			LQOSEN6	M6PR[1:0]	
Access		R/W	R/W	R/W		R/W	R/W	R/W
Reset		0	0	0		0	0	0
Bit	23	22	21	20	19	18	17	16
		LQOSEN5	M5PR[1:0]			LQOSEN4	M4PR[1:0]	
Access		R/W	R/W	R/W		R/W	R/W	R/W
Reset		0	0	0		0	0	0
Bit	15	14	13	12	11	10	9	8
		LQOSEN3	M3PR[1:0]			LQOSEN2	M2PR[1:0]	
Access		R/W	R/W	R/W		R/W	R/W	R/W
Reset		1	1	1		0	1	0
Bit	7	6	5	4	3	2	1	0
		LQOSEN1	M1PR[1:0]			LQOSEN0	M0PR[1:0]	
Access		R/W	R/W	R/W		R/W	R/W	R/W
Reset		0	1	0		0	0	0

#### Bits 2, 6, 10, 14, 18, 22, 26, 30 – LQOSENx Latency Quality of Service Enable for Master x

Value	Description
0	Disables propagation of Latency Quality of Service from the Master x to the Slave and apply MxPR priority for all access from Master x to the Slave.
1	Enables the propagation of Latency Quality of Service from the Master x to the Slave if supported by the Master x.

#### Bits 0:1, 4:5, 8:9, 12:13, 16:17, 20:21, 24:25, 28:29 – MxPR Master x Priority

Fixed priority of Master x for accessing the selected slave. The higher the number, the higher the priority.

All the masters programmed with the same MxPR value for the slave make up a priority pool. Round-robin arbitration is used in the lowest (MxPR = 0) and highest (MxPR = 3) priority pools. Fixed priority is used in intermediate priority pools (MxPR = 1) and (MxPR = 2).

See section [Arbitration Priority Scheme](#) for details.

If LQOSENx bit is cleared, then this priority value is used as it for arbitration and downward propagation to the slave. If LQOSENx bit is set, then this priority acts as the upper limit for the Latency Quality of Service from Master x.

For masters other than the CPU, the usual value of this field should be 0x0 if LQOSENx bit is cleared, and 0x1 if LQOSENx bit is set. For the CPU master, the usual value of this field should be 0x2.

### 17.11.24 Bus Matrix Priority Register A For Slave 6

**Name:** MATRIX\_PRAS6  
**Offset:** 0xB0  
**Reset:** 0x07007000  
**Property:** Read/Write

This register can only be written if the WPEN bit is cleared in the [Write Protection Mode Register](#).

Values in the Bus Matrix Priority Registers are product-dependent.

Bit	31	30	29	28	27	26	25	24
		LQOSEN7	M7PR[1:0]			LQOSEN6	M6PR[1:0]	
Access		R/W	R/W	R/W		R/W	R/W	R/W
Reset		0	0	0		1	1	1
Bit	23	22	21	20	19	18	17	16
		LQOSEN5	M5PR[1:0]			LQOSEN4	M4PR[1:0]	
Access		R/W	R/W	R/W		R/W	R/W	R/W
Reset		0	0	0		0	0	0
Bit	15	14	13	12	11	10	9	8
		LQOSEN3	M3PR[1:0]			LQOSEN2	M2PR[1:0]	
Access		R/W	R/W	R/W		R/W	R/W	R/W
Reset		1	1	1		0	0	0
Bit	7	6	5	4	3	2	1	0
		LQOSEN1	M1PR[1:0]			LQOSEN0	M0PR[1:0]	
Access		R/W	R/W	R/W		R/W	R/W	R/W
Reset		0	0	0		0	0	0

#### Bits 2, 6, 10, 14, 18, 22, 26, 30 – LQOSENx Latency Quality of Service Enable for Master x

Value	Description
0	Disables propagation of Latency Quality of Service from the Master x to the Slave and apply MxPR priority for all access from Master x to the Slave.
1	Enables the propagation of Latency Quality of Service from the Master x to the Slave if supported by the Master x.

#### Bits 0:1, 4:5, 8:9, 12:13, 16:17, 20:21, 24:25, 28:29 – MxPR Master x Priority

Fixed priority of Master x for accessing the selected slave. The higher the number, the higher the priority.

All the masters programmed with the same MxPR value for the slave make up a priority pool. Round-robin arbitration is used in the lowest (MxPR = 0) and highest (MxPR = 3) priority pools. Fixed priority is used in intermediate priority pools (MxPR = 1) and (MxPR = 2).

See section [Arbitration Priority Scheme](#) for details.

If LQOSENx bit is cleared, then this priority value is used as it for arbitration and downward propagation to the slave. If LQOSENx bit is set, then this priority acts as the upper limit for the Latency Quality of Service from Master x.

For masters other than the CPU, the usual value of this field should be 0x0 if LQOSENx bit is cleared, and 0x1 if LQOSENx bit is set. For the CPU master, the usual value of this field should be 0x2.

### 17.11.25 Bus Matrix Priority Register A For Slave 7

**Name:** MATRIX\_PRAS7  
**Offset:** 0xB8  
**Reset:** 0x00000000  
**Property:** Read/Write

This register can only be written if the WPEN bit is cleared in the [Write Protection Mode Register](#).

Values in the Bus Matrix Priority Registers are product-dependent.

Bit	31	30	29	28	27	26	25	24
		LQOSEN7	M7PR[1:0]			LQOSEN6	M6PR[1:0]	
Access		R/W	R/W	R/W		R/W	R/W	R/W
Reset		0	0	0		0	0	0
Bit	23	22	21	20	19	18	17	16
		LQOSEN5	M5PR[1:0]			LQOSEN4	M4PR[1:0]	
Access		R/W	R/W	R/W		R/W	R/W	R/W
Reset		0	0	0		0	0	0
Bit	15	14	13	12	11	10	9	8
		LQOSEN3	M3PR[1:0]			LQOSEN2	M2PR[1:0]	
Access		R/W	R/W	R/W		R/W	R/W	R/W
Reset		0	0	0		0	0	0
Bit	7	6	5	4	3	2	1	0
		LQOSEN1	M1PR[1:0]			LQOSEN0	M0PR[1:0]	
Access		R/W	R/W	R/W		R/W	R/W	R/W
Reset		0	0	0		0	0	0

#### Bits 2, 6, 10, 14, 18, 22, 26, 30 – LQOSENx Latency Quality of Service Enable for Master x

Value	Description
0	Disables propagation of Latency Quality of Service from the Master x to the Slave and apply MxPR priority for all access from Master x to the Slave.
1	Enables the propagation of Latency Quality of Service from the Master x to the Slave if supported by the Master x.

#### Bits 0:1, 4:5, 8:9, 12:13, 16:17, 20:21, 24:25, 28:29 – MxPR Master x Priority

Fixed priority of Master x for accessing the selected slave. The higher the number, the higher the priority.

All the masters programmed with the same MxPR value for the slave make up a priority pool. Round-robin arbitration is used in the lowest (MxPR = 0) and highest (MxPR = 3) priority pools. Fixed priority is used in intermediate priority pools (MxPR = 1) and (MxPR = 2).

See section [Arbitration Priority Scheme](#) for details.

If LQOSENx bit is cleared, then this priority value is used as it for arbitration and downward propagation to the slave. If LQOSENx bit is set, then this priority acts as the upper limit for the Latency Quality of Service from Master x.

For masters other than the CPU, the usual value of this field should be 0x0 if LQOSENx bit is cleared, and 0x1 if LQOSENx bit is set. For the CPU master, the usual value of this field should be 0x2.

### 17.11.26 Bus Matrix Priority Register A For Slave 8

**Name:** MATRIX\_PRAS8  
**Offset:** 0xC0  
**Reset:** 0x00007220  
**Property:** Read/Write

This register can only be written if the WPEN bit is cleared in the [Write Protection Mode Register](#).

Values in the Bus Matrix Priority Registers are product-dependent.

Bit	31	30	29	28	27	26	25	24
		LQOSEN7	M7PR[1:0]			LQOSEN6	M6PR[1:0]	
Access		R/W	R/W	R/W		R/W	R/W	R/W
Reset		0	0	0		0	0	0
Bit	23	22	21	20	19	18	17	16
		LQOSEN5	M5PR[1:0]			LQOSEN4	M4PR[1:0]	
Access		R/W	R/W	R/W		R/W	R/W	R/W
Reset		0	0	0		0	0	0
Bit	15	14	13	12	11	10	9	8
		LQOSEN3	M3PR[1:0]			LQOSEN2	M2PR[1:0]	
Access		R/W	R/W	R/W		R/W	R/W	R/W
Reset		1	1	1		0	1	0
Bit	7	6	5	4	3	2	1	0
		LQOSEN1	M1PR[1:0]			LQOSEN0	M0PR[1:0]	
Access		R/W	R/W	R/W		R/W	R/W	R/W
Reset		0	1	0		0	0	0

#### Bits 2, 6, 10, 14, 18, 22, 26, 30 – LQOSENx Latency Quality of Service Enable for Master x

Value	Description
0	Disables propagation of Latency Quality of Service from the Master x to the Slave and apply MxPR priority for all access from Master x to the Slave.
1	Enables the propagation of Latency Quality of Service from the Master x to the Slave if supported by the Master x.

#### Bits 0:1, 4:5, 8:9, 12:13, 16:17, 20:21, 24:25, 28:29 – MxPR Master x Priority

Fixed priority of Master x for accessing the selected slave. The higher the number, the higher the priority.

All the masters programmed with the same MxPR value for the slave make up a priority pool. Round-robin arbitration is used in the lowest (MxPR = 0) and highest (MxPR = 3) priority pools. Fixed priority is used in intermediate priority pools (MxPR = 1) and (MxPR = 2).

See section [Arbitration Priority Scheme](#) for details.

If LQOSENx bit is cleared, then this priority value is used as it for arbitration and downward propagation to the slave. If LQOSENx bit is set, then this priority acts as the upper limit for the Latency Quality of Service from Master x.

For masters other than the CPU, the usual value of this field should be 0x0 if LQOSENx bit is cleared, and 0x1 if LQOSENx bit is set. For the CPU master, the usual value of this field should be 0x2.

### 17.11.27 Bus Matrix Priority Register A For Slave x [x=9..15]

**Name:** MATRIX\_PRASx  
**Offset:** 0xC8 + (x-9)\*0x08 [x=9..15]  
**Reset:** 0x00000000  
**Property:** Read/Write

This register can only be written if the WPEN bit is cleared in the [Write Protection Mode Register](#).

Values in the Bus Matrix Priority Registers are product-dependent.

Bit	31	30	29	28	27	26	25	24
		LQOSEN7	M7PR[1:0]			LQOSEN6	M6PR[1:0]	
Access		R/W	R/W	R/W		R/W	R/W	R/W
Reset		0	0	0		0	0	0
Bit	23	22	21	20	19	18	17	16
		LQOSEN5	M5PR[1:0]			LQOSEN4	M4PR[1:0]	
Access		R/W	R/W	R/W		R/W	R/W	R/W
Reset		0	0	0		0	0	0
Bit	15	14	13	12	11	10	9	8
		LQOSEN3	M3PR[1:0]			LQOSEN2	M2PR[1:0]	
Access		R/W	R/W	R/W		R/W	R/W	R/W
Reset		0	0	0		0	0	0
Bit	7	6	5	4	3	2	1	0
		LQOSEN1	M1PR[1:0]			LQOSEN0	M0PR[1:0]	
Access		R/W	R/W	R/W		R/W	R/W	R/W
Reset		0	0	0		0	0	0

#### Bits 2, 6, 10, 14, 18, 22, 26, 30 – LQOSENx Latency Quality of Service Enable for Master x

Value	Description
0	Disables propagation of Latency Quality of Service from the Master x to the Slave and apply MxPR priority for all access from Master x to the Slave.
1	Enables the propagation of Latency Quality of Service from the Master x to the Slave if supported by the Master x.

#### Bits 0:1, 4:5, 8:9, 12:13, 16:17, 20:21, 24:25, 28:29 – MxPR Master x Priority

Fixed priority of Master x for accessing the selected slave. The higher the number, the higher the priority.

All the masters programmed with the same MxPR value for the slave make up a priority pool. Round-robin arbitration is used in the lowest (MxPR = 0) and highest (MxPR = 3) priority pools. Fixed priority is used in intermediate priority pools (MxPR = 1) and (MxPR = 2).

See section [Arbitration Priority Scheme](#) for details.

If LQOSENx bit is cleared, then this priority value is used as it for arbitration and downward propagation to the slave. If LQOSENx bit is set, then this priority acts as the upper limit for the Latency Quality of Service from Master x.

For masters other than the CPU, the usual value of this field should be 0x0 if LQOSENx bit is cleared, and 0x1 if LQOSENx bit is set. For the CPU master, the usual value of this field should be 0x2.

### 17.11.28 Bus Matrix Priority Register B for Slave 5

**Name:** MATRIX\_PRBS5  
**Offset:** 0xAC  
**Reset:** 0x00030000  
**Property:** Read/Write

This register can only be written if the WPEN bit is cleared in the [Write Protection Mode Register](#).

Values in the Bus Matrix Priority Registers are product-dependent.

Bit	31	30	29	28	27	26	25	24
		LQOSEN15	M15PR[1:0]			LQOSEN14	M14PR[1:0]	
Access		R/W	R/W	R/W		R/W	R/W	R/W
Reset		0	0	0		0	0	0
Bit	23	22	21	20	19	18	17	16
		LQOSEN13	M13PR[1:0]			LQOSEN12	M12PR[1:0]	
Access		R/W	R/W	R/W		R/W	R/W	R/W
Reset		0	0	0		0	1	1
Bit	15	14	13	12	11	10	9	8
		LQOSEN11	M11PR[1:0]			LQOSEN10	M10PR[1:0]	
Access		R/W	R/W	R/W		R/W	R/W	R/W
Reset		0	0	0		0	0	0
Bit	7	6	5	4	3	2	1	0
		LQOSEN9	M9PR[1:0]			LQOSEN8	M8PR[1:0]	
Access		R/W	R/W	R/W		R/W	R/W	R/W
Reset		0	0	0		0	0	0

#### Bits 2, 6, 10, 14, 18, 22, 26, 30 – LQOSENx Latency Quality of Service Enable for Master x

Value	Description
0	Disables propagation of Latency Quality of Service from the Master x to the Slave and apply MxPR priority for all access from Master x to the Slave.
1	Enables the propagation of Latency Quality of Service from the Master x to the Slave if supported by the Master x.

#### Bits 0:1, 4:5, 8:9, 12:13, 16:17, 20:21, 24:25, 28:29 – MxPR Master x Priority

Fixed priority of Master x for accessing the selected slave. The higher the number, the higher the priority.

All the masters programmed with the same MxPR value for the slave make up a priority pool. Round-robin arbitration is used in the lowest (MxPR = 0) and highest (MxPR = 3) priority pools. Fixed priority is used in intermediate priority pools (MxPR = 1) and (MxPR = 2).

See section [Arbitration Priority Scheme](#) for details.

If LQOSENx bit is cleared, then this priority value is used as it for arbitration and downward propagation to the slave. If LQOSENx bit is set, then this priority acts as the upper limit for the Latency Quality of Service from Master x.

For masters other than the CPU, the usual value of this field should be 0x0 if LQOSENx bit is cleared, and 0x1 if LQOSENx bit is set. For the CPU master, the usual value of this field should be 0x2.

### 17.11.29 Bus Matrix Priority Register B for Slave 6

**Name:** MATRIX\_PRBS6  
**Offset:** 0xB4  
**Reset:** 0x00030000  
**Property:** Read/Write

This register can only be written if the WPEN bit is cleared in the [Write Protection Mode Register](#).

Values in the Bus Matrix Priority Registers are product-dependent.

Bit	31	30	29	28	27	26	25	24
		LQOSEN15	M15PR[1:0]			LQOSEN14	M14PR[1:0]	
Access		R/W	R/W	R/W		R/W	R/W	R/W
Reset		0	0	0		0	0	0
Bit	23	22	21	20	19	18	17	16
		LQOSEN13	M13PR[1:0]			LQOSEN12	M12PR[1:0]	
Access		R/W	R/W	R/W		R/W	R/W	R/W
Reset		0	0	0		0	1	1
Bit	15	14	13	12	11	10	9	8
		LQOSEN11	M11PR[1:0]			LQOSEN10	M10PR[1:0]	
Access		R/W	R/W	R/W		R/W	R/W	R/W
Reset		0	0	0		0	0	0
Bit	7	6	5	4	3	2	1	0
		LQOSEN9	M9PR[1:0]			LQOSEN8	M8PR[1:0]	
Access		R/W	R/W	R/W		R/W	R/W	R/W
Reset		0	0	0		0	0	0

#### Bits 2, 6, 10, 14, 18, 22, 26, 30 – LQOSENx Latency Quality of Service Enable for Master x

Value	Description
0	Disables propagation of Latency Quality of Service from the Master x to the Slave and apply MxPR priority for all access from Master x to the Slave.
1	Enables the propagation of Latency Quality of Service from the Master x to the Slave if supported by the Master x.

#### Bits 0:1, 4:5, 8:9, 12:13, 16:17, 20:21, 24:25, 28:29 – MxPR Master x Priority

Fixed priority of Master x for accessing the selected slave. The higher the number, the higher the priority.

All the masters programmed with the same MxPR value for the slave make up a priority pool. Round-robin arbitration is used in the lowest (MxPR = 0) and highest (MxPR = 3) priority pools. Fixed priority is used in intermediate priority pools (MxPR = 1) and (MxPR = 2).

See section [Arbitration Priority Scheme](#) for details.

If LQOSENx bit is cleared, then this priority value is used as it for arbitration and downward propagation to the slave. If LQOSENx bit is set, then this priority acts as the upper limit for the Latency Quality of Service from Master x.

For masters other than the CPU, the usual value of this field should be 0x0 if LQOSENx bit is cleared, and 0x1 if LQOSENx bit is set. For the CPU master, the usual value of this field should be 0x2.

### 17.11.30 Bus Matrix Priority Register B for Slave 7

**Name:** MATRIX\_PRBS7  
**Offset:** 0xBC  
**Reset:** 0x00030000  
**Property:** Read/Write

This register can only be written if the WPEN bit is cleared in the [Write Protection Mode Register](#).

Values in the Bus Matrix Priority Registers are product-dependent.

Bit	31	30	29	28	27	26	25	24
		LQOSEN15	M15PR[1:0]			LQOSEN14	M14PR[1:0]	
Access		R/W	R/W	R/W		R/W	R/W	R/W
Reset		0	0	0		0	0	0
Bit	23	22	21	20	19	18	17	16
		LQOSEN13	M13PR[1:0]			LQOSEN12	M12PR[1:0]	
Access		R/W	R/W	R/W		R/W	R/W	R/W
Reset		0	0	0		0	1	1
Bit	15	14	13	12	11	10	9	8
		LQOSEN11	M11PR[1:0]			LQOSEN10	M10PR[1:0]	
Access		R/W	R/W	R/W		R/W	R/W	R/W
Reset		0	0	0		0	0	0
Bit	7	6	5	4	3	2	1	0
		LQOSEN9	M9PR[1:0]			LQOSEN8	M8PR[1:0]	
Access		R/W	R/W	R/W		R/W	R/W	R/W
Reset		0	0	0		0	0	0

#### Bits 2, 6, 10, 14, 18, 22, 26, 30 – LQOSENx Latency Quality of Service Enable for Master x

Value	Description
0	Disables propagation of Latency Quality of Service from the Master x to the Slave and apply MxPR priority for all access from Master x to the Slave.
1	Enables the propagation of Latency Quality of Service from the Master x to the Slave if supported by the Master x.

#### Bits 0:1, 4:5, 8:9, 12:13, 16:17, 20:21, 24:25, 28:29 – MxPR Master x Priority

Fixed priority of Master x for accessing the selected slave. The higher the number, the higher the priority.

All the masters programmed with the same MxPR value for the slave make up a priority pool. Round-robin arbitration is used in the lowest (MxPR = 0) and highest (MxPR = 3) priority pools. Fixed priority is used in intermediate priority pools (MxPR = 1) and (MxPR = 2).

See section [Arbitration Priority Scheme](#) for details.

If LQOSENx bit is cleared, then this priority value is used as it for arbitration and downward propagation to the slave. If LQOSENx bit is set, then this priority acts as the upper limit for the Latency Quality of Service from Master x.

For masters other than the CPU, the usual value of this field should be 0x0 if LQOSENx bit is cleared, and 0x1 if LQOSENx bit is set. For the CPU master, the usual value of this field should be 0x2.



### 17.11.31 Bus Matrix Priority Register B for Slave 8

**Name:** MATRIX\_PRBS8  
**Offset:** 0xC4  
**Reset:** 0x00007220  
**Property:** Read/Write

This register can only be written if the WPEN bit is cleared in the [Write Protection Mode Register](#).

Values in the Bus Matrix Priority Registers are product-dependent.

Bit	31	30	29	28	27	26	25	24
		LQOSEN15	M15PR[1:0]			LQOSEN14	M14PR[1:0]	
Access		R/W	R/W	R/W		R/W	R/W	R/W
Reset		0	0	0		0	0	0
Bit	23	22	21	20	19	18	17	16
		LQOSEN13	M13PR[1:0]			LQOSEN12	M12PR[1:0]	
Access		R/W	R/W	R/W		R/W	R/W	R/W
Reset		0	0	0		0	0	0
Bit	15	14	13	12	11	10	9	8
		LQOSEN11	M11PR[1:0]			LQOSEN10	M10PR[1:0]	
Access		R/W	R/W	R/W		R/W	R/W	R/W
Reset		1	1	1		0	1	0
Bit	7	6	5	4	3	2	1	0
		LQOSEN9	M9PR[1:0]			LQOSEN8	M8PR[1:0]	
Access		R/W	R/W	R/W		R/W	R/W	R/W
Reset		0	1	0		0	0	0

#### Bits 2, 6, 10, 14, 18, 22, 26, 30 – LQOSENx Latency Quality of Service Enable for Master x

Value	Description
0	Disables propagation of Latency Quality of Service from the Master x to the Slave and apply MxPR priority for all access from Master x to the Slave.
1	Enables the propagation of Latency Quality of Service from the Master x to the Slave if supported by the Master x.

#### Bits 0:1, 4:5, 8:9, 12:13, 16:17, 20:21, 24:25, 28:29 – MxPR Master x Priority

Fixed priority of Master x for accessing the selected slave. The higher the number, the higher the priority.

All the masters programmed with the same MxPR value for the slave make up a priority pool. Round-robin arbitration is used in the lowest (MxPR = 0) and highest (MxPR = 3) priority pools. Fixed priority is used in intermediate priority pools (MxPR = 1) and (MxPR = 2).

See section [Arbitration Priority Scheme](#) for details.

If LQOSENx bit is cleared, then this priority value is used as it for arbitration and downward propagation to the slave. If LQOSENx bit is set, then this priority acts as the upper limit for the Latency Quality of Service from Master x.

For masters other than the CPU, the usual value of this field should be 0x0 if LQOSENx bit is cleared, and 0x1 if LQOSENx bit is set. For the CPU master, the usual value of this field should be 0x2.

### 17.11.32 Bus Matrix Priority Register B for Slave x [x=9..15]

**Name:** MATRIX\_PRBSx  
**Offset:** 0xCC + (x-9)\*0x08 [x=9..15]  
**Reset:** 0x00000000  
**Property:** Read/Write

This register can only be written if the WPEN bit is cleared in the [Write Protection Mode Register](#).

Values in the Bus Matrix Priority Registers are product-dependent.

Bit	31	30	29	28	27	26	25	24
		LQOSEN15	M15PR[1:0]			LQOSEN14	M14PR[1:0]	
Access		R/W	R/W	R/W		R/W	R/W	R/W
Reset		0	0	0		0	0	0
Bit	23	22	21	20	19	18	17	16
		LQOSEN13	M13PR[1:0]			LQOSEN12	M12PR[1:0]	
Access		R/W	R/W	R/W		R/W	R/W	R/W
Reset		0	0	0		0	0	0
Bit	15	14	13	12	11	10	9	8
		LQOSEN11	M11PR[1:0]			LQOSEN10	M10PR[1:0]	
Access		R/W	R/W	R/W		R/W	R/W	R/W
Reset		0	0	0		0	0	0
Bit	7	6	5	4	3	2	1	0
		LQOSEN9	M9PR[1:0]			LQOSEN8	M8PR[1:0]	
Access		R/W	R/W	R/W		R/W	R/W	R/W
Reset		0	0	0		0	0	0

#### Bits 2, 6, 10, 14, 18, 22, 26, 30 – LQOSENx Latency Quality of Service Enable for Master x

Value	Description
0	Disables propagation of Latency Quality of Service from the Master x to the Slave and apply MxPR priority for all access from Master x to the Slave.
1	Enables the propagation of Latency Quality of Service from the Master x to the Slave if supported by the Master x.

#### Bits 0:1, 4:5, 8:9, 12:13, 16:17, 20:21, 24:25, 28:29 – MxPR Master x Priority

Fixed priority of Master x for accessing the selected slave. The higher the number, the higher the priority.

All the masters programmed with the same MxPR value for the slave make up a priority pool. Round-robin arbitration is used in the lowest (MxPR = 0) and highest (MxPR = 3) priority pools. Fixed priority is used in intermediate priority pools (MxPR = 1) and (MxPR = 2).

See section [Arbitration Priority Scheme](#) for details.

If LQOSENx bit is cleared, then this priority value is used as it for arbitration and downward propagation to the slave. If LQOSENx bit is set, then this priority acts as the upper limit for the Latency Quality of Service from Master x.

For masters other than the CPU, the usual value of this field should be 0x0 if LQOSENx bit is cleared, and 0x1 if LQOSENx bit is set. For the CPU master, the usual value of this field should be 0x2.

### 17.11.33 MATRIX Master Remap Control Register

**Name:** MATRIX\_MRCR  
**Offset:** 0x0100  
**Reset:** 0x00000000  
**Property:** Read/Write

This register can only be written if the WPEN bit is cleared in the [Write Protection Mode Register](#).

Bit	31	30	29	28	27	26	25	24
Access								
Reset								
Bit	23	22	21	20	19	18	17	16
Access								
Reset								
Bit	15	14	13	12	11	10	9	8
Access	RCB15	RCB14	RCB13	RCB12	RCB11	RCB10	RCB9	RCB8
Reset	R/W	R/W	R/W	R/W	R/W	R/W	R/W	R/W
Reset	0	0	0	0	0	0	0	0
Bit	7	6	5	4	3	2	1	0
Access	RCB7	RCB6	RCB5	RCB4	RCB3	RCB2	RCB1	RCB0
Reset	R/W	R/W	R/W	R/W	R/W	R/W	R/W	R/W
Reset	0	0	0	0	0	0	0	0

#### Bits 0, 1, 2, 3, 4, 5, 6, 7, 8, 9, 10, 11, 12, 13, 14, 15 – RCBx Remap Command Bit for Master x

Value	Description
0	Disables remapped address decoding for the selected master.
1	Enables remapped address decoding for the selected master.

### 17.11.34 MATRIX Master Error Interrupt Enable Register

**Name:** MATRIX\_MEIER  
**Offset:** 0x0150  
**Reset:** -  
**Property:** Write-only

This register can only be written if the WPEN bit is cleared in the [Write Protection Mode Register](#).

Bit	31	30	29	28	27	26	25	24
Access								
Reset								
Bit	23	22	21	20	19	18	17	16
Access								
Reset								
Bit	15	14	13	12	11	10	9	8
Access	MERR15	MERR14	MERR13	MERR12	MERR11	MERR10	MERR9	MERR8
Reset	W	W	W	W	W	W	W	W
Bit	7	6	5	4	3	2	1	0
Access	MERR7	MERR6	MERR5	MERR4	MERR3	MERR2	MERR1	MERR0
Reset	W	W	W	W	W	W	W	W

#### Bits 0, 1, 2, 3, 4, 5, 6, 7, 8, 9, 10, 11, 12, 13, 14, 15 – MERRx Master x Access Error

Value	Description
0	No effect.
1	Enables Master x Access Error interrupt source.

### 17.11.35 MATRIX Master Error Interrupt Disable Register

**Name:** MATRIX\_MEIDR  
**Offset:** 0x0154  
**Reset:** -  
**Property:** Write-only

This register can only be written if the WPEN bit is cleared in the [Write Protection Mode Register](#).

Bit	31	30	29	28	27	26	25	24
Access								
Reset								
Bit	23	22	21	20	19	18	17	16
Access								
Reset								
Bit	15	14	13	12	11	10	9	8
Access	MERR15	MERR14	MERR13	MERR12	MERR11	MERR10	MERR9	MERR8
Reset	W	W	W	W	W	W	W	W
Bit	7	6	5	4	3	2	1	0
Access	MERR7	MERR6	MERR5	MERR4	MERR3	MERR2	MERR1	MERR0
Reset	W	W	W	W	W	W	W	W

#### Bits 0, 1, 2, 3, 4, 5, 6, 7, 8, 9, 10, 11, 12, 13, 14, 15 – MERRx Master x Access Error

Value	Description
0	No effect.
1	Disables Master x Access Error interrupt source.

### 17.11.36 MATRIX Master Error Interrupt Mask Register

**Name:** MATRIX\_MEIMR  
**Offset:** 0x0158  
**Reset:** 0x00000000  
**Property:** Read-only

Bit	31	30	29	28	27	26	25	24
Access								
Reset								

Bit	23	22	21	20	19	18	17	16
Access								
Reset								

Bit	15	14	13	12	11	10	9	8
Access	R	R	R	R	R	R	R	R
Reset	0	0	0	0	0	0	0	0

Bit	7	6	5	4	3	2	1	0
Access	R	R	R	R	R	R	R	R
Reset	0	0	0	0	0	0	0	0

#### Bits 0, 1, 2, 3, 4, 5, 6, 7, 8, 9, 10, 11, 12, 13, 14, 15 – MERRx Master x Access Error

Value	Description
0	Master x Access Error does not trigger any interrupt.
1	Master x Access Error triggers the MATRIX interrupt line.

### 17.11.37 MATRIX Master Error Status Register

**Name:** MATRIX\_MESR  
**Offset:** 0x015C  
**Reset:** 0x00000000  
**Property:** Read-only

Bit	31	30	29	28	27	26	25	24
Access								
Reset								
Bit	23	22	21	20	19	18	17	16
Access								
Reset								
Bit	15	14	13	12	11	10	9	8
	MERR15	MERR14	MERR13	MERR12	MERR11	MERR10	MERR9	MERR8
Access	R	R	R	R	R	R	R	R
Reset	0	0	0	0	0	0	0	0
Bit	7	6	5	4	3	2	1	0
	MERR7	MERR6	MERR5	MERR4	MERR3	MERR2	MERR1	MERR0
Access	R	R	R	R	R	R	R	R
Reset	0	0	0	0	0	0	0	0

#### Bits 0, 1, 2, 3, 4, 5, 6, 7, 8, 9, 10, 11, 12, 13, 14, 15 – MERRx Master x Access Error

Value	Description
0	No Master Access Error has occurred since the last read of the MATRIX_MESR.
1	At least one Master Access Error has occurred since the last read of the MATRIX_MESR.

### 17.11.38 MATRIX Master Error Address Register [x=0..15]

**Name:** MATRIX\_MEARx  
**Offset:** 0x0160 + x\*0x04 [x=0..15]  
**Reset:** 0x00000000  
**Property:** Read-only

Bit	31	30	29	28	27	26	25	24
	ERRADD[31:24]							
Access	R	R	R	R	R	R	R	R
Reset	0	0	0	0	0	0	0	0
Bit	23	22	21	20	19	18	17	16
	ERRADD[23:16]							
Access	R	R	R	R	R	R	R	R
Reset	0	0	0	0	0	0	0	0
Bit	15	14	13	12	11	10	9	8
	ERRADD[15:8]							
Access	R	R	R	R	R	R	R	R
Reset	0	0	0	0	0	0	0	0
Bit	7	6	5	4	3	2	1	0
	ERRADD[7:0]							
Access	R	R	R	R	R	R	R	R
Reset	0	0	0	0	0	0	0	0

**Bits 31:0 – ERRADD[31:0]** Master Error Address  
 32 most significant bits of the last access error address



### 17.11.39 MATRIX Write Protection Mode Register

**Name:** MATRIX\_WPMR  
**Offset:** 0x01E4  
**Reset:** 0x00000000  
**Property:** Read/Write

Bit	31	30	29	28	27	26	25	24
	WPKEY[23:16]							
Access	W	W	W	W	W	W	W	W
Reset	0	0	0	0	0	0	0	0
Bit	23	22	21	20	19	18	17	16
	WPKEY[15:8]							
Access	W	W	W	W	W	W	W	W
Reset	0	0	0	0	0	0	0	0
Bit	15	14	13	12	11	10	9	8
	WPKEY[7:0]							
Access	W	W	W	W	W	W	W	W
Reset	0	0	0	0	0	0	0	0
Bit	7	6	5	4	3	2	1	0
	CFGFRZ							WPEN
Access	R/W							R/W
Reset	0							0

#### Bits 31:8 - WPKEY[23:0] Write Protection Key

Value	Name	Description
0x4D4154	PASSWD	Writing any other value in this field aborts the write operation of the WPEN and CFGFRZ bits. Always reads as 0.

#### Bit 7 - CFGFRZ Configuration Freeze

Value	Description
0	The MATRIX configuration is not frozen.
1	Freezes the MATRIX configuration until hardware reset. The registers that can be protected by the WPEN bit and the Write Protection Mode Register are no longer modifiable.

#### Bit 0 - WPEN Write Protection Enable

See section [Register Write Protection](#) for the list of registers that can be write-protected.

Value	Description
0	Disables the write protection if WPKEY corresponds to 0x4D4154 ("MAT" in ASCII).
1	Enables the write protection if WPKEY corresponds to 0x4D4154 ("MAT" in ASCII).

### 17.11.40 MATRIX Write Protection Status Register

**Name:** MATRIX\_WPSR  
**Offset:** 0x01E8  
**Reset:** 0x00000000  
**Property:** Read-only

Bit	31	30	29	28	27	26	25	24
Access								
Reset								
Bit	23	22	21	20	19	18	17	16
Access	R							
Reset	0							
Bit	15	14	13	12	11	10	9	8
Access	R							
Reset	0							
Bit	7	6	5	4	3	2	1	0
Access								R
Reset								0

#### Bits 23:8 – WPVSRC[15:0] Write Protection Violation Source

When WPVS = 1, WPVSRC indicates the register address offset at which a write access has been attempted.

#### Bit 0 – WPVS Write Protection Violation Status

Value	Description
0	No write protection violation has occurred since the last write of the MATRIX_WPMR.
1	A write protection violation has occurred since the last write of the MATRIX_WPMR. If this violation is an unauthorized attempt to write a protected register, the associated violation is reported into field WPVSRC.

### 17.11.41 Protection Slave Register 0

**Name:** MATRIX\_PSRO  
**Offset:** 0x0200  
**Reset:** 0x00000000  
**Property:** Read/Write

This register can only be written if the WPEN bit is cleared in the [Write Protection Mode Register](#).

Values in the Bus Matrix Protection Registers are product-dependent.

Bit	31	30	29	28	27	26	25	24
	DPSOA7	DPSOA6	DPSOA5	DPSOA4	DPSOA3	DPSOA2	DPSOA1	DPSOA0
Access	R/W	R/W	R/W	R/W	R/W	R/W	R/W	R/W
Reset	0	0	0	0	0	0	0	0
Bit	23	22	21	20	19	18	17	16
	WRUSERH7	WRUSERH6	WRUSERH5	WRUSERH4	WRUSERH3	WRUSERH2	WRUSERH1	WRUSERH0
Access	R/W	R/W	R/W	R/W	R/W	R/W	R/W	R/W
Reset	0	0	0	0	0	0	0	0
Bit	15	14	13	12	11	10	9	8
	RDUSERH7	RDUSERH6	RDUSERH5	RDUSERH4	RDUSERH3	RDUSERH2	RDUSERH1	RDUSERH0
Access	R/W	R/W	R/W	R/W	R/W	R/W	R/W	R/W
Reset	0	0	0	0	0	0	0	0
Bit	7	6	5	4	3	2	1	0
	LAUSERH7	LAUSERH6	LAUSERH5	LAUSERH4	LAUSERH3	LAUSERH2	LAUSERH1	LAUSERH0
Access	R/W	R/W	R/W	R/W	R/W	R/W	R/W	R/W
Reset	0	0	0	0	0	0	0	0

#### Bits 24, 25, 26, 27, 28, 29, 30, 31 – DPSOAx Downward Protection Split Address for HSELx Protected Region

Value	Description
0	For the HSELx AHB slave-protected region, the protected area split MATRIX_PASSR / PASPLITx defines the size of the slave-protected area starting from the base address of the slave protected region and up.
1	For the HSELx AHB slave-protected region, the protected area split MATRIX_PASSR / PASPLITx defines the size of the slave-protected area starting from the end address of the slave-protected region and down.

#### Bits 16, 17, 18, 19, 20, 21, 22, 23 – WRUSERHx Write USER for HSELx Protected Region

Privilege-eligible Area access rights:

WRUSERHx/RDUSERHx	User Access	Privileged Access
00	Denied	Write-Read
01	Read	Write-Read
10	Write	Write-Read
11	Write-Read	Write-Read

Value	Description
0	The HSELx AHB slave-protected region is split into one Write Privileged and one Write User area, according to LAUSERHx and MATRIX_PASSR / PASPLITx. That is, the so defined privilege-eligible high or low area is Privileged for Write access.
1	The HSELx AHB slave-protected region is User for Write access.

#### Bits 8, 9, 10, 11, 12, 13, 14, 15 – RDUSERHx Read USER for HSELx Protected Region

Value	Description
0	The HSELx AHB slave-protected region is split into one Read Privileged and one Read User area, according to LAUSERHx and MATRIX_PASSR / PASPLITx. That is, the so defined privilege-eligible high or low area is Privileged for Read access.
1	The HSELx AHB slave-protected region is User for Read access.

**Bits 0, 1, 2, 3, 4, 5, 6, 7 – LAUSERHx Low Area USER in HSELx Protected Region**

Value	Description
0	The protection of the HSELx AHB slave area laying below the corresponding MATRIX_PASSR / PASPLITx boundary is configured according to RDUUSERHx and WRUSERHx. The whole remaining HSELx upper address space is configured as User access.
1	The HSELx AHB slave address area laying below the corresponding MATRIX_PASSR / PASPLITx boundary is configured as User access, and the whole remaining upper address space according to RDUUSERHx and WRUSERHx.

### 17.11.42 Protection Slave Register 1

**Name:** MATRIX\_PSR1  
**Offset:** 0x0204  
**Reset:** 0x00000000  
**Property:** Read/Write

This register can only be written if the WPEN bit is cleared in the [Write Protection Mode Register](#).

Values in the Bus Matrix Protection Registers are product-dependent.

Bit	31	30	29	28	27	26	25	24
	DPSOA7	DPSOA6	DPSOA5	DPSOA4	DPSOA3	DPSOA2	DPSOA1	DPSOA0
Access	R/W	R/W	R/W	R/W	R/W	R/W	R/W	R/W
Reset	0	0	0	0	0	0	0	0
Bit	23	22	21	20	19	18	17	16
	WRUSERH7	WRUSERH6	WRUSERH5	WRUSERH4	WRUSERH3	WRUSERH2	WRUSERH1	WRUSERH0
Access	R/W	R/W	R/W	R/W	R/W	R/W	R/W	R/W
Reset	0	0	0	0	0	0	0	0
Bit	15	14	13	12	11	10	9	8
	RDUSERH7	RDUSERH6	RDUSERH5	RDUSERH4	RDUSERH3	RDUSERH2	RDUSERH1	RDUSERH0
Access	R/W	R/W	R/W	R/W	R/W	R/W	R/W	R/W
Reset	0	0	0	0	0	0	0	0
Bit	7	6	5	4	3	2	1	0
	LAUSERH7	LAUSERH6	LAUSERH5	LAUSERH4	LAUSERH3	LAUSERH2	LAUSERH1	LAUSERH0
Access	R/W	R/W	R/W	R/W	R/W	R/W	R/W	R/W
Reset	0	0	0	0	0	0	0	0

#### Bits 24, 25, 26, 27, 28, 29, 30, 31 – DPSOAx Downward Protection Split Address for HSELx Protected Region

Value	Description
0	For the HSELx AHB slave-protected region, the protected area split MATRIX_PASSR / PASPLITx defines the size of the slave-protected area starting from the base address of the slave protected region and up.
1	For the HSELx AHB slave-protected region, the protected area split MATRIX_PASSR / PASPLITx defines the size of the slave-protected area starting from the end address of the slave-protected region and down.

#### Bits 16, 17, 18, 19, 20, 21, 22, 23 – WRUSERHx Write USER for HSELx Protected Region

Privilege-eligible Area access rights:

WRUSERHx/RDUSERHx	User Access	Privileged Access
00	Denied	Write-Read
01	Read	Write-Read
10	Write	Write-Read
11	Write-Read	Write-Read

Value	Description
0	The HSELx AHB slave-protected region is split into one Write Privileged and one Write User area, according to LAUSERHx and MATRIX_PASSR / PASPLITx. That is, the so defined privilege-eligible high or low area is Privileged for Write access.
1	The HSELx AHB slave-protected region is User for Write access.

#### Bits 8, 9, 10, 11, 12, 13, 14, 15 – RDUSERHx Read USER for HSELx Protected Region

Value	Description
0	The HSELx AHB slave-protected region is split into one Read Privileged and one Read User area, according to LAUSERHx and MATRIX_PASSR / PASPLITx. That is, the so defined privilege-eligible high or low area is Privileged for Read access.
1	The HSELx AHB slave-protected region is User for Read access.

**Bits 0, 1, 2, 3, 4, 5, 6, 7 – LAUSERHx Low Area USER in HSELx Protected Region**

Value	Description
0	The protection of the HSELx AHB slave area laying below the corresponding MATRIX_PASSR / PASPLITx boundary is configured according to RDUUSERHx and WRUSERHx. The whole remaining HSELx upper address space is configured as User access.
1	The HSELx AHB slave address area laying below the corresponding MATRIX_PASSR / PASPLITx boundary is configured as User access, and the whole remaining upper address space according to RDUUSERHx and WRUSERHx.

### 17.11.43 Protection Slave Register 2

**Name:** MATRIX\_PSR2  
**Offset:** 0x0208  
**Reset:** 0x00000000  
**Property:** Read/Write

This register can only be written if the WPEN bit is cleared in the [Write Protection Mode Register](#).

Values in the Bus Matrix Protection Registers are product-dependent.

Bit	31	30	29	28	27	26	25	24
	DPSOA7	DPSOA6	DPSOA5	DPSOA4	DPSOA3	DPSOA2	DPSOA1	DPSOA0
Access	R/W	R/W	R/W	R/W	R/W	R/W	R/W	R/W
Reset	0	0	0	0	0	0	0	0
Bit	23	22	21	20	19	18	17	16
	WRUSERH7	WRUSERH6	WRUSERH5	WRUSERH4	WRUSERH3	WRUSERH2	WRUSERH1	WRUSERH0
Access	R/W	R/W	R/W	R/W	R/W	R/W	R/W	R/W
Reset	0	0	0	0	0	0	0	0
Bit	15	14	13	12	11	10	9	8
	RDUSERH7	RDUSERH6	RDUSERH5	RDUSERH4	RDUSERH3	RDUSERH2	RDUSERH1	RDUSERH0
Access	R/W	R/W	R/W	R/W	R/W	R/W	R/W	R/W
Reset	0	0	0	0	0	0	0	0
Bit	7	6	5	4	3	2	1	0
	LAUSERH7	LAUSERH6	LAUSERH5	LAUSERH4	LAUSERH3	LAUSERH2	LAUSERH1	LAUSERH0
Access	R/W	R/W	R/W	R/W	R/W	R/W	R/W	R/W
Reset	0	0	0	0	0	0	0	0

#### Bits 24, 25, 26, 27, 28, 29, 30, 31 – DPSOAx Downward Protection Split Address for HSELx Protected Region

Value	Description
0	For the HSELx AHB slave-protected region, the protected area split MATRIX_PASSR / PASPLITx defines the size of the slave-protected area starting from the base address of the slave protected region and up.
1	For the HSELx AHB slave-protected region, the protected area split MATRIX_PASSR / PASPLITx defines the size of the slave-protected area starting from the end address of the slave-protected region and down.

#### Bits 16, 17, 18, 19, 20, 21, 22, 23 – WRUSERHx Write USER for HSELx Protected Region

Privilege-eligible Area access rights:

WRUSERHx/RDUSERHx	User Access	Privileged Access
00	Denied	Write-Read
01	Read	Write-Read
10	Write	Write-Read
11	Write-Read	Write-Read

Value	Description
0	The HSELx AHB slave-protected region is split into one Write Privileged and one Write User area, according to LAUSERHx and MATRIX_PASSR / PASPLITx. That is, the so defined privilege-eligible high or low area is Privileged for Write access.
1	The HSELx AHB slave-protected region is User for Write access.

#### Bits 8, 9, 10, 11, 12, 13, 14, 15 – RDUSERHx Read USER for HSELx Protected Region

Value	Description
0	The HSELx AHB slave-protected region is split into one Read Privileged and one Read User area, according to LAUSERHx and MATRIX_PASSR / PASPLITx. That is, the so defined privilege-eligible high or low area is Privileged for Read access.
1	The HSELx AHB slave-protected region is User for Read access.

**Bits 0, 1, 2, 3, 4, 5, 6, 7 – LAUSERHx Low Area USER in HSELx Protected Region**

Value	Description
0	The protection of the HSELx AHB slave area laying below the corresponding MATRIX_PASSR / PASPLITx boundary is configured according to RDUSERHx and WRUSERHx. The whole remaining HSELx upper address space is configured as User access.
1	The HSELx AHB slave address area laying below the corresponding MATRIX_PASSR / PASPLITx boundary is configured as User access, and the whole remaining upper address space according to RDUSERHx and WRUSERHx.



### 17.11.44 Protection Slave Register 3

**Name:** MATRIX\_PSR3  
**Offset:** 0x020C  
**Reset:** 0x00010101  
**Property:** Read/Write

This register can only be written if the WPEN bit is cleared in the [Write Protection Mode Register](#).

Values in the Bus Matrix Protection Registers are product-dependent.

Bit	31	30	29	28	27	26	25	24
	DPSOA7	DPSOA6	DPSOA5	DPSOA4	DPSOA3	DPSOA2	DPSOA1	DPSOA0
Access	R/W	R/W	R/W	R/W	R/W	R/W	R/W	R/W
Reset	0	0	0	0	0	0	0	0
Bit	23	22	21	20	19	18	17	16
	WRUSERH7	WRUSERH6	WRUSERH5	WRUSERH4	WRUSERH3	WRUSERH2	WRUSERH1	WRUSERH0
Access	R/W	R/W	R/W	R/W	R/W	R/W	R/W	R/W
Reset	0	0	0	0	0	0	0	1
Bit	15	14	13	12	11	10	9	8
	RDUSERH7	RDUSERH6	RDUSERH5	RDUSERH4	RDUSERH3	RDUSERH2	RDUSERH1	RDUSERH0
Access	R/W	R/W	R/W	R/W	R/W	R/W	R/W	R/W
Reset	0	0	0	0	0	0	0	1
Bit	7	6	5	4	3	2	1	0
	LAUSERH7	LAUSERH6	LAUSERH5	LAUSERH4	LAUSERH3	LAUSERH2	LAUSERH1	LAUSERH0
Access	R/W	R/W	R/W	R/W	R/W	R/W	R/W	R/W
Reset	0	0	0	0	0	0	0	1

#### Bits 24, 25, 26, 27, 28, 29, 30, 31 – DPSOAx Downward Protection Split Address for HSELx Protected Region

Value	Description
0	For the HSELx AHB slave-protected region, the protected area split MATRIX_PASSR / PASPLITx defines the size of the slave-protected area starting from the base address of the slave protected region and up.
1	For the HSELx AHB slave-protected region, the protected area split MATRIX_PASSR / PASPLITx defines the size of the slave-protected area starting from the end address of the slave-protected region and down.

#### Bits 16, 17, 18, 19, 20, 21, 22, 23 – WRUSERHx Write USER for HSELx Protected Region

Privilege-eligible Area access rights:

WRUSERHx/RDUSERHx	User Access	Privileged Access
00	Denied	Write-Read
01	Read	Write-Read
10	Write	Write-Read
11	Write-Read	Write-Read

Value	Description
0	The HSELx AHB slave-protected region is split into one Write Privileged and one Write User area, according to LAUSERHx and MATRIX_PASSR / PASPLITx. That is, the so defined privilege-eligible high or low area is Privileged for Write access.
1	The HSELx AHB slave-protected region is User for Write access.

#### Bits 8, 9, 10, 11, 12, 13, 14, 15 – RDUSERHx Read USER for HSELx Protected Region

Value	Description
0	The HSELx AHB slave-protected region is split into one Read Privileged and one Read User area, according to LAUSERHx and MATRIX_PASSR / PASPLITx. That is, the so defined privilege-eligible high or low area is Privileged for Read access.
1	The HSELx AHB slave-protected region is User for Read access.

**Bits 0, 1, 2, 3, 4, 5, 6, 7 – LAUSERHx Low Area USER in HSELx Protected Region**

Value	Description
0	The protection of the HSELx AHB slave area laying below the corresponding MATRIX_PASSR / PASPLITx boundary is configured according to RDUUSERHx and WRUSERHx. The whole remaining HSELx upper address space is configured as User access.
1	The HSELx AHB slave address area laying below the corresponding MATRIX_PASSR / PASPLITx boundary is configured as User access, and the whole remaining upper address space according to RDUUSERHx and WRUSERHx.

### 17.11.45 Protection Slave Register 4

**Name:** MATRIX\_PSR4  
**Offset:** 0x0210  
**Reset:** 0x00000000  
**Property:** Read/Write

This register can only be written if the WPEN bit is cleared in the [Write Protection Mode Register](#).

Values in the Bus Matrix Protection Registers are product-dependent.

Bit	31	30	29	28	27	26	25	24
	DPSOA7	DPSOA6	DPSOA5	DPSOA4	DPSOA3	DPSOA2	DPSOA1	DPSOA0
Access	R/W	R/W	R/W	R/W	R/W	R/W	R/W	R/W
Reset	0	0	0	0	0	0	0	0
Bit	23	22	21	20	19	18	17	16
	WRUSERH7	WRUSERH6	WRUSERH5	WRUSERH4	WRUSERH3	WRUSERH2	WRUSERH1	WRUSERH0
Access	R/W	R/W	R/W	R/W	R/W	R/W	R/W	R/W
Reset	0	0	0	0	0	0	0	0
Bit	15	14	13	12	11	10	9	8
	RDUSERH7	RDUSERH6	RDUSERH5	RDUSERH4	RDUSERH3	RDUSERH2	RDUSERH1	RDUSERH0
Access	R/W	R/W	R/W	R/W	R/W	R/W	R/W	R/W
Reset	0	0	0	0	0	0	0	0
Bit	7	6	5	4	3	2	1	0
	LAUSERH7	LAUSERH6	LAUSERH5	LAUSERH4	LAUSERH3	LAUSERH2	LAUSERH1	LAUSERH0
Access	R/W	R/W	R/W	R/W	R/W	R/W	R/W	R/W
Reset	0	0	0	0	0	0	0	0

#### Bits 24, 25, 26, 27, 28, 29, 30, 31 – DPSOAx Downward Protection Split Address for HSELx Protected Region

Value	Description
0	For the HSELx AHB slave-protected region, the protected area split MATRIX_PASSR / PASPLITx defines the size of the slave-protected area starting from the base address of the slave protected region and up.
1	For the HSELx AHB slave-protected region, the protected area split MATRIX_PASSR / PASPLITx defines the size of the slave-protected area starting from the end address of the slave-protected region and down.

#### Bits 16, 17, 18, 19, 20, 21, 22, 23 – WRUSERHx Write USER for HSELx Protected Region

Privilege-eligible Area access rights:

WRUSERHx/RDUSERHx	User Access	Privileged Access
00	Denied	Write-Read
01	Read	Write-Read
10	Write	Write-Read
11	Write-Read	Write-Read

Value	Description
0	The HSELx AHB slave-protected region is split into one Write Privileged and one Write User area, according to LAUSERHx and MATRIX_PASSR / PASPLITx. That is, the so defined privilege-eligible high or low area is Privileged for Write access.
1	The HSELx AHB slave-protected region is User for Write access.

#### Bits 8, 9, 10, 11, 12, 13, 14, 15 – RDUSERHx Read USER for HSELx Protected Region

Value	Description
0	The HSELx AHB slave-protected region is split into one Read Privileged and one Read User area, according to LAUSERHx and MATRIX_PASSR / PASPLITx. That is, the so defined privilege-eligible high or low area is Privileged for Read access.
1	The HSELx AHB slave-protected region is User for Read access.

**Bits 0, 1, 2, 3, 4, 5, 6, 7 – LAUSERHx** Low Area USER in HSELx Protected Region

Value	Description
0	The protection of the HSELx AHB slave area laying below the corresponding MATRIX_PASSR / PASPLITx boundary is configured according to RDUUSERHx and WRUSERHx. The whole remaining HSELx upper address space is configured as User access.
1	The HSELx AHB slave address area laying below the corresponding MATRIX_PASSR / PASPLITx boundary is configured as User access, and the whole remaining upper address space according to RDUUSERHx and WRUSERHx.

### 17.11.46 Protection Slave Register 5

**Name:** MATRIX\_PSR5  
**Offset:** 0x0214  
**Reset:** 0x00010101  
**Property:** Read/Write

This register can only be written if the WPEN bit is cleared in the [Write Protection Mode Register](#).

Values in the Bus Matrix Protection Registers are product-dependent.

Bit	31	30	29	28	27	26	25	24
	DPSOA7	DPSOA6	DPSOA5	DPSOA4	DPSOA3	DPSOA2	DPSOA1	DPSOA0
Access	R/W	R/W	R/W	R/W	R/W	R/W	R/W	R/W
Reset	0	0	0	0	0	0	0	0
Bit	23	22	21	20	19	18	17	16
	WRUSERH7	WRUSERH6	WRUSERH5	WRUSERH4	WRUSERH3	WRUSERH2	WRUSERH1	WRUSERH0
Access	R/W	R/W	R/W	R/W	R/W	R/W	R/W	R/W
Reset	0	0	0	0	0	0	0	1
Bit	15	14	13	12	11	10	9	8
	RDUSERH7	RDUSERH6	RDUSERH5	RDUSERH4	RDUSERH3	RDUSERH2	RDUSERH1	RDUSERH0
Access	R/W	R/W	R/W	R/W	R/W	R/W	R/W	R/W
Reset	0	0	0	0	0	0	0	1
Bit	7	6	5	4	3	2	1	0
	LAUSERH7	LAUSERH6	LAUSERH5	LAUSERH4	LAUSERH3	LAUSERH2	LAUSERH1	LAUSERH0
Access	R/W	R/W	R/W	R/W	R/W	R/W	R/W	R/W
Reset	0	0	0	0	0	0	0	1

#### Bits 24, 25, 26, 27, 28, 29, 30, 31 – DPSOAx Downward Protection Split Address for HSELx Protected Region

Value	Description
0	For the HSELx AHB slave-protected region, the protected area split MATRIX_PASSR / PASPLITx defines the size of the slave-protected area starting from the base address of the slave protected region and up.
1	For the HSELx AHB slave-protected region, the protected area split MATRIX_PASSR / PASPLITx defines the size of the slave-protected area starting from the end address of the slave-protected region and down.

#### Bits 16, 17, 18, 19, 20, 21, 22, 23 – WRUSERHx Write USER for HSELx Protected Region

Privilege-eligible Area access rights:

WRUSERHx/RDUSERHx	User Access	Privileged Access
00	Denied	Write-Read
01	Read	Write-Read
10	Write	Write-Read
11	Write-Read	Write-Read

Value	Description
0	The HSELx AHB slave-protected region is split into one Write Privileged and one Write User area, according to LAUSERHx and MATRIX_PASSR / PASPLITx. That is, the so defined privilege-eligible high or low area is Privileged for Write access.
1	The HSELx AHB slave-protected region is User for Write access.

#### Bits 8, 9, 10, 11, 12, 13, 14, 15 – RDUSERHx Read USER for HSELx Protected Region

Value	Description
0	The HSELx AHB slave-protected region is split into one Read Privileged and one Read User area, according to LAUSERHx and MATRIX_PASSR / PASPLITx. That is, the so defined privilege-eligible high or low area is Privileged for Read access.
1	The HSELx AHB slave-protected region is User for Read access.

**Bits 0, 1, 2, 3, 4, 5, 6, 7 – LAUSERHx** Low Area USER in HSELx Protected Region

Value	Description
0	The protection of the HSELx AHB slave area laying below the corresponding MATRIX_PASSR / PASPLITx boundary is configured according to RDUUSERHx and WRUSERHx. The whole remaining HSELx upper address space is configured as User access.
1	The HSELx AHB slave address area laying below the corresponding MATRIX_PASSR / PASPLITx boundary is configured as User access, and the whole remaining upper address space according to RDUUSERHx and WRUSERHx.

### 17.11.47 Protection Slave Register x [x=6..7]

**Name:** MATRIX\_PSRx  
**Offset:** 0x0218 + (x-6)\*0x04 [x=6..7]  
**Reset:** 0x00000000  
**Property:** Read/Write

This register can only be written if the WPEN bit is cleared in the [Write Protection Mode Register](#).

Values in the Bus Matrix Protection Registers are product-dependent.

Bit	31	30	29	28	27	26	25	24
	DPSOA7	DPSOA6	DPSOA5	DPSOA4	DPSOA3	DPSOA2	DPSOA1	DPSOA0
Access	R/W	R/W	R/W	R/W	R/W	R/W	R/W	R/W
Reset	0	0	0	0	0	0	0	0
Bit	23	22	21	20	19	18	17	16
	WRUSERH7	WRUSERH6	WRUSERH5	WRUSERH4	WRUSERH3	WRUSERH2	WRUSERH1	WRUSERH0
Access	R/W	R/W	R/W	R/W	R/W	R/W	R/W	R/W
Reset	0	0	0	0	0	0	0	0
Bit	15	14	13	12	11	10	9	8
	RDUSERH7	RDUSERH6	RDUSERH5	RDUSERH4	RDUSERH3	RDUSERH2	RDUSERH1	RDUSERH0
Access	R/W	R/W	R/W	R/W	R/W	R/W	R/W	R/W
Reset	0	0	0	0	0	0	0	0
Bit	7	6	5	4	3	2	1	0
	LAUSERH7	LAUSERH6	LAUSERH5	LAUSERH4	LAUSERH3	LAUSERH2	LAUSERH1	LAUSERH0
Access	R/W	R/W	R/W	R/W	R/W	R/W	R/W	R/W
Reset	0	0	0	0	0	0	0	0

#### Bits 24, 25, 26, 27, 28, 29, 30, 31 – DPSOAx Downward Protection Split Address for HSELx Protected Region

Value	Description
0	For the HSELx AHB slave-protected region, the protected area split MATRIX_PASSR / PASPLITx defines the size of the slave-protected area starting from the base address of the slave protected region and up.
1	For the HSELx AHB slave-protected region, the protected area split MATRIX_PASSR / PASPLITx defines the size of the slave-protected area starting from the end address of the slave-protected region and down.

#### Bits 16, 17, 18, 19, 20, 21, 22, 23 – WRUSERHx Write USER for HSELx Protected Region

Privilege-eligible Area access rights:

WRUSERHx/RDUSERHx	User Access	Privileged Access
00	Denied	Write-Read
01	Read	Write-Read
10	Write	Write-Read
11	Write-Read	Write-Read

Value	Description
0	The HSELx AHB slave-protected region is split into one Write Privileged and one Write User area, according to LAUSERHx and MATRIX_PASSR / PASPLITx. That is, the so defined privilege-eligible high or low area is Privileged for Write access.
1	The HSELx AHB slave-protected region is User for Write access.

#### Bits 8, 9, 10, 11, 12, 13, 14, 15 – RDUSERHx Read USER for HSELx Protected Region

Value	Description
0	The HSELx AHB slave-protected region is split into one Read Privileged and one Read User area, according to LAUSERHx and MATRIX_PASSR / PASPLITx. That is, the so defined privilege-eligible high or low area is Privileged for Read access.
1	The HSELx AHB slave-protected region is User for Read access.

**Bits 0, 1, 2, 3, 4, 5, 6, 7 – LAUSERHx Low Area USER in HSELx Protected Region**

Value	Description
0	The protection of the HSELx AHB slave area laying below the corresponding MATRIX_PASSR / PASPLITx boundary is configured according to RDUSERHx and WRUSERHx. The whole remaining HSELx upper address space is configured as User access.
1	The HSELx AHB slave address area laying below the corresponding MATRIX_PASSR / PASPLITx boundary is configured as User access, and the whole remaining upper address space according to RDUSERHx and WRUSERHx.



### 17.11.48 Protection Slave Register 8

**Name:** MATRIX\_PSR8  
**Offset:** 0x0220  
**Reset:** 0x00010101  
**Property:** Read/Write

This register can only be written if the WPEN bit is cleared in the [Write Protection Mode Register](#).

Values in the Bus Matrix Protection Registers are product-dependent.

Bit	31	30	29	28	27	26	25	24
	DPSOA7	DPSOA6	DPSOA5	DPSOA4	DPSOA3	DPSOA2	DPSOA1	DPSOA0
Access	R/W	R/W	R/W	R/W	R/W	R/W	R/W	R/W
Reset	0	0	0	0	0	0	0	0
Bit	23	22	21	20	19	18	17	16
	WRUSERH7	WRUSERH6	WRUSERH5	WRUSERH4	WRUSERH3	WRUSERH2	WRUSERH1	WRUSERH0
Access	R/W	R/W	R/W	R/W	R/W	R/W	R/W	R/W
Reset	0	0	0	0	0	0	0	1
Bit	15	14	13	12	11	10	9	8
	RDUSERH7	RDUSERH6	RDUSERH5	RDUSERH4	RDUSERH3	RDUSERH2	RDUSERH1	RDUSERH0
Access	R/W	R/W	R/W	R/W	R/W	R/W	R/W	R/W
Reset	0	0	0	0	0	0	0	1
Bit	7	6	5	4	3	2	1	0
	LAUSERH7	LAUSERH6	LAUSERH5	LAUSERH4	LAUSERH3	LAUSERH2	LAUSERH1	LAUSERH0
Access	R/W	R/W	R/W	R/W	R/W	R/W	R/W	R/W
Reset	0	0	0	0	0	0	0	1

#### Bits 24, 25, 26, 27, 28, 29, 30, 31 – DPSOAx Downward Protection Split Address for HSELx Protected Region

Value	Description
0	For the HSELx AHB slave-protected region, the protected area split MATRIX_PASSR / PASPLITx defines the size of the slave-protected area starting from the base address of the slave protected region and up.
1	For the HSELx AHB slave-protected region, the protected area split MATRIX_PASSR / PASPLITx defines the size of the slave-protected area starting from the end address of the slave-protected region and down.

#### Bits 16, 17, 18, 19, 20, 21, 22, 23 – WRUSERHx Write USER for HSELx Protected Region

Privilege-eligible Area access rights:

WRUSERHx/RDUSERHx	User Access	Privileged Access
00	Denied	Write-Read
01	Read	Write-Read
10	Write	Write-Read
11	Write-Read	Write-Read

Value	Description
0	The HSELx AHB slave-protected region is split into one Write Privileged and one Write User area, according to LAUSERHx and MATRIX_PASSR / PASPLITx. That is, the so defined privilege-eligible high or low area is Privileged for Write access.
1	The HSELx AHB slave-protected region is User for Write access.

#### Bits 8, 9, 10, 11, 12, 13, 14, 15 – RDUSERHx Read USER for HSELx Protected Region

Value	Description
0	The HSELx AHB slave-protected region is split into one Read Privileged and one Read User area, according to LAUSERHx and MATRIX_PASSR / PASPLITx. That is, the so defined privilege-eligible high or low area is Privileged for Read access.
1	The HSELx AHB slave-protected region is User for Read access.

**Bits 0, 1, 2, 3, 4, 5, 6, 7 – LAUSERHx** Low Area USER in HSELx Protected Region

Value	Description
0	The protection of the HSELx AHB slave area laying below the corresponding MATRIX_PASSR / PASPLITx boundary is configured according to RDUUSERHx and WRUSERHx. The whole remaining HSELx upper address space is configured as User access.
1	The HSELx AHB slave address area laying below the corresponding MATRIX_PASSR / PASPLITx boundary is configured as User access, and the whole remaining upper address space according to RDUUSERHx and WRUSERHx.

### 17.11.49 Protection Slave Register x [x=9..15]

**Name:** MATRIX\_PSRx  
**Offset:** 0x0224 + (x-9)\*0x04 [x=9..15]  
**Reset:** 0x00000000  
**Property:** Read/Write

This register can only be written if the WPEN bit is cleared in the [Write Protection Mode Register](#).

Values in the Bus Matrix Protection Registers are product-dependent.

Bit	31	30	29	28	27	26	25	24
	DPSOA7	DPSOA6	DPSOA5	DPSOA4	DPSOA3	DPSOA2	DPSOA1	DPSOA0
Access	R/W	R/W	R/W	R/W	R/W	R/W	R/W	R/W
Reset	0	0	0	0	0	0	0	0
Bit	23	22	21	20	19	18	17	16
	WRUSERH7	WRUSERH6	WRUSERH5	WRUSERH4	WRUSERH3	WRUSERH2	WRUSERH1	WRUSERH0
Access	R/W	R/W	R/W	R/W	R/W	R/W	R/W	R/W
Reset	0	0	0	0	0	0	0	0
Bit	15	14	13	12	11	10	9	8
	RDUSERH7	RDUSERH6	RDUSERH5	RDUSERH4	RDUSERH3	RDUSERH2	RDUSERH1	RDUSERH0
Access	R/W	R/W	R/W	R/W	R/W	R/W	R/W	R/W
Reset	0	0	0	0	0	0	0	0
Bit	7	6	5	4	3	2	1	0
	LAUSERH7	LAUSERH6	LAUSERH5	LAUSERH4	LAUSERH3	LAUSERH2	LAUSERH1	LAUSERH0
Access	R/W	R/W	R/W	R/W	R/W	R/W	R/W	R/W
Reset	0	0	0	0	0	0	0	0

#### Bits 24, 25, 26, 27, 28, 29, 30, 31 – DPSOAx Downward Protection Split Address for HSELx Protected Region

Value	Description
0	For the HSELx AHB slave-protected region, the protected area split MATRIX_PASSR / PASPLITx defines the size of the slave-protected area starting from the base address of the slave protected region and up.
1	For the HSELx AHB slave-protected region, the protected area split MATRIX_PASSR / PASPLITx defines the size of the slave-protected area starting from the end address of the slave-protected region and down.

#### Bits 16, 17, 18, 19, 20, 21, 22, 23 – WRUSERHx Write USER for HSELx Protected Region

Privilege-eligible Area access rights:

WRUSERHx/RDUSERHx	User Access	Privileged Access
00	Denied	Write-Read
01	Read	Write-Read
10	Write	Write-Read
11	Write-Read	Write-Read

Value	Description
0	The HSELx AHB slave-protected region is split into one Write Privileged and one Write User area, according to LAUSERHx and MATRIX_PASSR / PASPLITx. That is, the so defined privilege-eligible high or low area is Privileged for Write access.
1	The HSELx AHB slave-protected region is User for Write access.

#### Bits 8, 9, 10, 11, 12, 13, 14, 15 – RDUSERHx Read USER for HSELx Protected Region

Value	Description
0	The HSELx AHB slave-protected region is split into one Read Privileged and one Read User area, according to LAUSERHx and MATRIX_PASSR / PASPLITx. That is, the so defined privilege-eligible high or low area is Privileged for Read access.
1	The HSELx AHB slave-protected region is User for Read access.

**Bits 0, 1, 2, 3, 4, 5, 6, 7 – LAUSERHx Low Area USER in HSELx Protected Region**

Value	Description
0	The protection of the HSELx AHB slave area laying below the corresponding MATRIX_PASSR / PASPLITx boundary is configured according to RDUUSERHx and WRUSERHx. The whole remaining HSELx upper address space is configured as User access.
1	The HSELx AHB slave address area laying below the corresponding MATRIX_PASSR / PASPLITx boundary is configured as User access, and the whole remaining upper address space according to RDUUSERHx and WRUSERHx.

### 17.11.50 Protected Areas Split Slave Register 0

**Name:** MATRIX\_PASSR0  
**Offset:** 0x0240  
**Reset:** 0x000000FF  
**Property:** Read/Write

This register can only be written if the WPEN bit is cleared in the [Write Protection Mode Register](#).

Values in the Bus Matrix Protection Registers are product-dependent.

Bit	31	30	29	28	27	26	25	24
	PASPLIT7[3:0]				PASPLIT6[3:0]			
Access	R/W	R/W	R/W	R/W	R/W	R/W	R/W	R/W
Reset	0	0	0	0	0	0	0	0
Bit	23	22	21	20	19	18	17	16
	PASPLIT5[3:0]				PASPLIT4[3:0]			
Access	R/W	R/W	R/W	R/W	R/W	R/W	R/W	R/W
Reset	0	0	0	0	0	0	0	0
Bit	15	14	13	12	11	10	9	8
	PASPLIT3[3:0]				PASPLIT2[3:0]			
Access	R/W	R/W	R/W	R/W	R/W	R/W	R/W	R/W
Reset	0	0	0	0	0	0	0	0
Bit	7	6	5	4	3	2	1	0
	PASPLIT1[3:0]				PASPLIT0[3:0]			
Access	R/W	R/W	R/W	R/W	R/W	R/W	R/W	R/W
Reset	1	1	1	1	1	1	1	1

#### Bits 0:3, 4:7, 8:11, 12:15, 16:19, 20:23, 24:27, 28:31 – PASPLITx Protected Areas Split for HSELx Protected Region

This field defines the boundary address offset where the HSELx AHB slave-protected region splits into two Protected Areas whose access is controlled according to the corresponding MATRIX\_PSR. If this size is set at or above the HSELx Region Size, then the MATRIX\_PSR register settings apply to the unique protected area then covering the whole HSELx Protected Region.

PASPLITx	Split Offset	Protected Low Area Size
0000	0x00001000	4 Kbytes
0001	0x00002000	8 Kbytes
0010	0x00004000	16 Kbytes
0011	0x00008000	32 Kbytes
0100	0x00010000	64 Kbytes
0101	0x00020000	128 Kbytes
0110	0x00040000	256 Kbytes
0111	0x00080000	512 Kbytes
1000	0x00100000	1 Mbyte
1001	0x00200000	2 Mbytes
1010	0x00400000	4 Mbytes
1011	0x00800000	8 Mbytes
1100	0x01000000	16 Mbytes
1101	0x02000000	32 Mbytes
1110	0x04000000	64 Mbytes
1111	0x08000000	128 Mbytes

### 17.11.51 Protected Areas Split Slave Register 1

**Name:** MATRIX\_PASSR1  
**Offset:** 0x0244  
**Reset:** 0x000000FF  
**Property:** Read/Write

This register can only be written if the WPEN bit is cleared in the [Write Protection Mode Register](#).

Values in the Bus Matrix Protection Registers are product-dependent.

Bit	31	30	29	28	27	26	25	24
	PASPLIT7[3:0]				PASPLIT6[3:0]			
Access	R/W	R/W	R/W	R/W	R/W	R/W	R/W	R/W
Reset	0	0	0	0	0	0	0	0
Bit	23	22	21	20	19	18	17	16
	PASPLIT5[3:0]				PASPLIT4[3:0]			
Access	R/W	R/W	R/W	R/W	R/W	R/W	R/W	R/W
Reset	0	0	0	0	0	0	0	0
Bit	15	14	13	12	11	10	9	8
	PASPLIT3[3:0]				PASPLIT2[3:0]			
Access	R/W	R/W	R/W	R/W	R/W	R/W	R/W	R/W
Reset	0	0	0	0	0	0	0	0
Bit	7	6	5	4	3	2	1	0
	PASPLIT1[3:0]				PASPLIT0[3:0]			
Access	R/W	R/W	R/W	R/W	R/W	R/W	R/W	R/W
Reset	1	1	1	1	1	1	1	1

#### Bits 0:3, 4:7, 8:11, 12:15, 16:19, 20:23, 24:27, 28:31 – PASPLITx Protected Areas Split for HSELx Protected Region

This field defines the boundary address offset where the HSELx AHB slave-protected region splits into two Protected Areas whose access is controlled according to the corresponding MATRIX\_PSR. If this size is set at or above the HSELx Region Size, then the MATRIX\_PSR register settings apply to the unique protected area then covering the whole HSELx Protected Region.

PASPLITx	Split Offset	Protected Low Area Size
0000	0x00001000	4 Kbytes
0001	0x00002000	8 Kbytes
0010	0x00004000	16 Kbytes
0011	0x00008000	32 Kbytes
0100	0x00010000	64 Kbytes
0101	0x00020000	128 Kbytes
0110	0x00040000	256 Kbytes
0111	0x00080000	512 Kbytes
1000	0x00100000	1 Mbyte
1001	0x00200000	2 Mbytes
1010	0x00400000	4 Mbytes
1011	0x00800000	8 Mbytes
1100	0x01000000	16 Mbytes
1101	0x02000000	32 Mbytes
1110	0x04000000	64 Mbytes
1111	0x08000000	128 Mbytes

## 17.11.52 Protected Areas Split Slave Register 2

**Name:** MATRIX\_PASSR2  
**Offset:** 0x0248  
**Reset:** 0x0000000F  
**Property:** Read/Write

This register can only be written if the WPEN bit is cleared in the [Write Protection Mode Register](#).

Values in the Bus Matrix Protection Registers are product-dependent.

Bit	31	30	29	28	27	26	25	24
	PASPLIT7[3:0]				PASPLIT6[3:0]			
Access	R/W	R/W	R/W	R/W	R/W	R/W	R/W	R/W
Reset	0	0	0	0	0	0	0	0
Bit	23	22	21	20	19	18	17	16
	PASPLIT5[3:0]				PASPLIT4[3:0]			
Access	R/W	R/W	R/W	R/W	R/W	R/W	R/W	R/W
Reset	0	0	0	0	0	0	0	0
Bit	15	14	13	12	11	10	9	8
	PASPLIT3[3:0]				PASPLIT2[3:0]			
Access	R/W	R/W	R/W	R/W	R/W	R/W	R/W	R/W
Reset	0	0	0	0	0	0	0	0
Bit	7	6	5	4	3	2	1	0
	PASPLIT1[3:0]				PASPLIT0[3:0]			
Access	R/W	R/W	R/W	R/W	R/W	R/W	R/W	R/W
Reset	0	0	0	0	1	1	1	1

### Bits 0:3, 4:7, 8:11, 12:15, 16:19, 20:23, 24:27, 28:31 – PASPLITx Protected Areas Split for HSELx Protected Region

This field defines the boundary address offset where the HSELx AHB slave-protected region splits into two Protected Areas whose access is controlled according to the corresponding MATRIX\_PSR. If this size is set at or above the HSELx Region Size, then the MATRIX\_PSR register settings apply to the unique protected area then covering the whole HSELx Protected Region.

PASPLITx	Split Offset	Protected Low Area Size
0000	0x00001000	4 Kbytes
0001	0x00002000	8 Kbytes
0010	0x00004000	16 Kbytes
0011	0x00008000	32 Kbytes
0100	0x00010000	64 Kbytes
0101	0x00020000	128 Kbytes
0110	0x00040000	256 Kbytes
0111	0x00080000	512 Kbytes
1000	0x00100000	1 Mbyte
1001	0x00200000	2 Mbytes
1010	0x00400000	4 Mbytes
1011	0x00800000	8 Mbytes
1100	0x01000000	16 Mbytes
1101	0x02000000	32 Mbytes
1110	0x04000000	64 Mbytes
1111	0x08000000	128 Mbytes

### 17.11.53 Protected Areas Split Slave Register 3

**Name:** MATRIX\_PASSR3  
**Offset:** 0x024C  
**Reset:** 0x0000000F  
**Property:** Read/Write

This register can only be written if the WPEN bit is cleared in the [Write Protection Mode Register](#).

Values in the Bus Matrix Protection Registers are product-dependent.

Bit	31	30	29	28	27	26	25	24
	PASPLIT7[3:0]				PASPLIT6[3:0]			
Access	R/W	R/W	R/W	R/W	R/W	R/W	R/W	R/W
Reset	0	0	0	0	0	0	0	0
Bit	23	22	21	20	19	18	17	16
	PASPLIT5[3:0]				PASPLIT4[3:0]			
Access	R/W	R/W	R/W	R/W	R/W	R/W	R/W	R/W
Reset	0	0	0	0	0	0	0	0
Bit	15	14	13	12	11	10	9	8
	PASPLIT3[3:0]				PASPLIT2[3:0]			
Access	R/W	R/W	R/W	R/W	R/W	R/W	R/W	R/W
Reset	0	0	0	0	0	0	0	0
Bit	7	6	5	4	3	2	1	0
	PASPLIT1[3:0]				PASPLIT0[3:0]			
Access	R/W	R/W	R/W	R/W	R/W	R/W	R/W	R/W
Reset	0	0	0	0	1	1	1	1

#### Bits 0:3, 4:7, 8:11, 12:15, 16:19, 20:23, 24:27, 28:31 – PASPLITx Protected Areas Split for HSELx Protected Region

This field defines the boundary address offset where the HSELx AHB slave-protected region splits into two Protected Areas whose access is controlled according to the corresponding MATRIX\_PSR. If this size is set at or above the HSELx Region Size, then the MATRIX\_PSR register settings apply to the unique protected area then covering the whole HSELx Protected Region.

PASPLITx	Split Offset	Protected Low Area Size
0000	0x00001000	4 Kbytes
0001	0x00002000	8 Kbytes
0010	0x00004000	16 Kbytes
0011	0x00008000	32 Kbytes
0100	0x00010000	64 Kbytes
0101	0x00020000	128 Kbytes
0110	0x00040000	256 Kbytes
0111	0x00080000	512 Kbytes
1000	0x00100000	1 Mbyte
1001	0x00200000	2 Mbytes
1010	0x00400000	4 Mbytes
1011	0x00800000	8 Mbytes
1100	0x01000000	16 Mbytes
1101	0x02000000	32 Mbytes
1110	0x04000000	64 Mbytes
1111	0x08000000	128 Mbytes



### 17.11.54 Protected Areas Split Slave Register 4

**Name:** MATRIX\_PASSR4  
**Offset:** 0x0250  
**Reset:** 0x0000000F  
**Property:** Read/Write

This register can only be written if the WPEN bit is cleared in the [Write Protection Mode Register](#).

Values in the Bus Matrix Protection Registers are product-dependent.

Bit	31	30	29	28	27	26	25	24
	PASPLIT7[3:0]				PASPLIT6[3:0]			
Access	R/W	R/W	R/W	R/W	R/W	R/W	R/W	R/W
Reset	0	0	0	0	0	0	0	0
Bit	23	22	21	20	19	18	17	16
	PASPLIT5[3:0]				PASPLIT4[3:0]			
Access	R/W	R/W	R/W	R/W	R/W	R/W	R/W	R/W
Reset	0	0	0	0	0	0	0	0
Bit	15	14	13	12	11	10	9	8
	PASPLIT3[3:0]				PASPLIT2[3:0]			
Access	R/W	R/W	R/W	R/W	R/W	R/W	R/W	R/W
Reset	0	0	0	0	0	0	0	0
Bit	7	6	5	4	3	2	1	0
	PASPLIT1[3:0]				PASPLIT0[3:0]			
Access	R/W	R/W	R/W	R/W	R/W	R/W	R/W	R/W
Reset	0	0	0	0	1	1	1	1

#### Bits 0:3, 4:7, 8:11, 12:15, 16:19, 20:23, 24:27, 28:31 – PASPLITx Protected Areas Split for HSELx Protected Region

This field defines the boundary address offset where the HSELx AHB slave-protected region splits into two Protected Areas whose access is controlled according to the corresponding MATRIX\_PSR. If this size is set at or above the HSELx Region Size, then the MATRIX\_PSR register settings apply to the unique protected area then covering the whole HSELx Protected Region.

PASPLITx	Split Offset	Protected Low Area Size
0000	0x00001000	4 Kbytes
0001	0x00002000	8 Kbytes
0010	0x00004000	16 Kbytes
0011	0x00008000	32 Kbytes
0100	0x00010000	64 Kbytes
0101	0x00020000	128 Kbytes
0110	0x00040000	256 Kbytes
0111	0x00080000	512 Kbytes
1000	0x00100000	1 Mbyte
1001	0x00200000	2 Mbytes
1010	0x00400000	4 Mbytes
1011	0x00800000	8 Mbytes
1100	0x01000000	16 Mbytes
1101	0x02000000	32 Mbytes
1110	0x04000000	64 Mbytes
1111	0x08000000	128 Mbytes

### 17.11.55 Protected Areas Split Slave Register 5

**Name:** MATRIX\_PASSR5  
**Offset:** 0x0254  
**Reset:** 0x0000000F  
**Property:** Read/Write

This register can only be written if the WPEN bit is cleared in the [Write Protection Mode Register](#).

Values in the Bus Matrix Protection Registers are product-dependent.

Bit	31	30	29	28	27	26	25	24
	PASPLIT7[3:0]				PASPLIT6[3:0]			
Access	R/W	R/W	R/W	R/W	R/W	R/W	R/W	R/W
Reset	0	0	0	0	0	0	0	0
Bit	23	22	21	20	19	18	17	16
	PASPLIT5[3:0]				PASPLIT4[3:0]			
Access	R/W	R/W	R/W	R/W	R/W	R/W	R/W	R/W
Reset	0	0	0	0	0	0	0	0
Bit	15	14	13	12	11	10	9	8
	PASPLIT3[3:0]				PASPLIT2[3:0]			
Access	R/W	R/W	R/W	R/W	R/W	R/W	R/W	R/W
Reset	0	0	0	0	0	0	0	0
Bit	7	6	5	4	3	2	1	0
	PASPLIT1[3:0]				PASPLIT0[3:0]			
Access	R/W	R/W	R/W	R/W	R/W	R/W	R/W	R/W
Reset	0	0	0	0	1	1	1	1

#### Bits 0:3, 4:7, 8:11, 12:15, 16:19, 20:23, 24:27, 28:31 – PASPLITx Protected Areas Split for HSELx Protected Region

This field defines the boundary address offset where the HSELx AHB slave-protected region splits into two Protected Areas whose access is controlled according to the corresponding MATRIX\_PSR. If this size is set at or above the HSELx Region Size, then the MATRIX\_PSR register settings apply to the unique protected area then covering the whole HSELx Protected Region.

PASPLITx	Split Offset	Protected Low Area Size
0000	0x00001000	4 Kbytes
0001	0x00002000	8 Kbytes
0010	0x00004000	16 Kbytes
0011	0x00008000	32 Kbytes
0100	0x00010000	64 Kbytes
0101	0x00020000	128 Kbytes
0110	0x00040000	256 Kbytes
0111	0x00080000	512 Kbytes
1000	0x00100000	1 Mbyte
1001	0x00200000	2 Mbytes
1010	0x00400000	4 Mbytes
1011	0x00800000	8 Mbytes
1100	0x01000000	16 Mbytes
1101	0x02000000	32 Mbytes
1110	0x04000000	64 Mbytes
1111	0x08000000	128 Mbytes

### 17.11.56 Protected Areas Split Slave Register 6

**Name:** MATRIX\_PASSR6  
**Offset:** 0x0258  
**Reset:** 0x00000FFF  
**Property:** Read/Write

This register can only be written if the WPEN bit is cleared in the [Write Protection Mode Register](#).

Values in the Bus Matrix Protection Registers are product-dependent.

Bit	31	30	29	28	27	26	25	24
	PASPLIT7[3:0]				PASPLIT6[3:0]			
Access	R/W	R/W	R/W	R/W	R/W	R/W	R/W	R/W
Reset	0	0	0	0	0	0	0	0
Bit	23	22	21	20	19	18	17	16
	PASPLIT5[3:0]				PASPLIT4[3:0]			
Access	R/W	R/W	R/W	R/W	R/W	R/W	R/W	R/W
Reset	0	0	0	0	0	0	0	0
Bit	15	14	13	12	11	10	9	8
	PASPLIT3[3:0]				PASPLIT2[3:0]			
Access	R/W	R/W	R/W	R/W	R/W	R/W	R/W	R/W
Reset	0	0	0	0	1	1	1	1
Bit	7	6	5	4	3	2	1	0
	PASPLIT1[3:0]				PASPLIT0[3:0]			
Access	R/W	R/W	R/W	R/W	R/W	R/W	R/W	R/W
Reset	1	1	1	1	1	1	1	1

#### Bits 0:3, 4:7, 8:11, 12:15, 16:19, 20:23, 24:27, 28:31 – PASPLITx Protected Areas Split for HSELx Protected Region

This field defines the boundary address offset where the HSELx AHB slave-protected region splits into two Protected Areas whose access is controlled according to the corresponding MATRIX\_PSR. If this size is set at or above the HSELx Region Size, then the MATRIX\_PSR register settings apply to the unique protected area then covering the whole HSELx Protected Region.

PASPLITx	Split Offset	Protected Low Area Size
0000	0x00001000	4 Kbytes
0001	0x00002000	8 Kbytes
0010	0x00004000	16 Kbytes
0011	0x00008000	32 Kbytes
0100	0x00010000	64 Kbytes
0101	0x00020000	128 Kbytes
0110	0x00040000	256 Kbytes
0111	0x00080000	512 Kbytes
1000	0x00100000	1 Mbyte
1001	0x00200000	2 Mbytes
1010	0x00400000	4 Mbytes
1011	0x00800000	8 Mbytes
1100	0x01000000	16 Mbytes
1101	0x02000000	32 Mbytes
1110	0x04000000	64 Mbytes
1111	0x08000000	128 Mbytes

### 17.11.57 Protected Areas Split Slave Register 7

**Name:** MATRIX\_PASSR7  
**Offset:** 0x025C  
**Reset:** 0x000000FF  
**Property:** Read/Write

This register can only be written if the WPEN bit is cleared in the [Write Protection Mode Register](#).

Values in the Bus Matrix Protection Registers are product-dependent.

Bit	31	30	29	28	27	26	25	24
	PASPLIT7[3:0]				PASPLIT6[3:0]			
Access	R/W	R/W	R/W	R/W	R/W	R/W	R/W	R/W
Reset	0	0	0	0	0	0	0	0
Bit	23	22	21	20	19	18	17	16
	PASPLIT5[3:0]				PASPLIT4[3:0]			
Access	R/W	R/W	R/W	R/W	R/W	R/W	R/W	R/W
Reset	0	0	0	0	0	0	0	0
Bit	15	14	13	12	11	10	9	8
	PASPLIT3[3:0]				PASPLIT2[3:0]			
Access	R/W	R/W	R/W	R/W	R/W	R/W	R/W	R/W
Reset	0	0	0	0	0	0	0	0
Bit	7	6	5	4	3	2	1	0
	PASPLIT1[3:0]				PASPLIT0[3:0]			
Access	R/W	R/W	R/W	R/W	R/W	R/W	R/W	R/W
Reset	1	1	1	1	1	1	1	1

#### Bits 0:3, 4:7, 8:11, 12:15, 16:19, 20:23, 24:27, 28:31 – PASPLITx Protected Areas Split for HSELx Protected Region

This field defines the boundary address offset where the HSELx AHB slave-protected region splits into two Protected Areas whose access is controlled according to the corresponding MATRIX\_PSR. If this size is set at or above the HSELx Region Size, then the MATRIX\_PSR register settings apply to the unique protected area then covering the whole HSELx Protected Region.

PASPLITx	Split Offset	Protected Low Area Size
0000	0x00001000	4 Kbytes
0001	0x00002000	8 Kbytes
0010	0x00004000	16 Kbytes
0011	0x00008000	32 Kbytes
0100	0x00010000	64 Kbytes
0101	0x00020000	128 Kbytes
0110	0x00040000	256 Kbytes
0111	0x00080000	512 Kbytes
1000	0x00100000	1 Mbyte
1001	0x00200000	2 Mbytes
1010	0x00400000	4 Mbytes
1011	0x00800000	8 Mbytes
1100	0x01000000	16 Mbytes
1101	0x02000000	32 Mbytes
1110	0x04000000	64 Mbytes
1111	0x08000000	128 Mbytes

### 17.11.58 Protected Areas Split Slave Register 8

**Name:** MATRIX\_PASSR8  
**Offset:** 0x260  
**Reset:** 0x0000000F  
**Property:** Read/Write

This register can only be written if the WPEN bit is cleared in the [Write Protection Mode Register](#).

Values in the Bus Matrix Protection Registers are product-dependent.

Bit	31	30	29	28	27	26	25	24
	PASPLIT7[3:0]				PASPLIT6[3:0]			
Access	R/W	R/W	R/W	R/W	R/W	R/W	R/W	R/W
Reset	0	0	0	0	0	0	0	0
Bit	23	22	21	20	19	18	17	16
	PASPLIT5[3:0]				PASPLIT4[3:0]			
Access	R/W	R/W	R/W	R/W	R/W	R/W	R/W	R/W
Reset	0	0	0	0	0	0	0	0
Bit	15	14	13	12	11	10	9	8
	PASPLIT3[3:0]				PASPLIT2[3:0]			
Access	R/W	R/W	R/W	R/W	R/W	R/W	R/W	R/W
Reset	0	0	0	0	0	0	0	0
Bit	7	6	5	4	3	2	1	0
	PASPLIT1[3:0]				PASPLIT0[3:0]			
Access	R/W	R/W	R/W	R/W	R/W	R/W	R/W	R/W
Reset	0	0	0	0	1	1	1	1

#### Bits 0:3, 4:7, 8:11, 12:15, 16:19, 20:23, 24:27, 28:31 – PASPLITx Protected Areas Split for HSELx Protected Region

This field defines the boundary address offset where the HSELx AHB slave-protected region splits into two Protected Areas whose access is controlled according to the corresponding MATRIX\_PSR. If this size is set at or above the HSELx Region Size, then the MATRIX\_PSR register settings apply to the unique protected area then covering the whole HSELx Protected Region.

PASPLITx	Split Offset	Protected Low Area Size
0000	0x00001000	4 Kbytes
0001	0x00002000	8 Kbytes
0010	0x00004000	16 Kbytes
0011	0x00008000	32 Kbytes
0100	0x00010000	64 Kbytes
0101	0x00020000	128 Kbytes
0110	0x00040000	256 Kbytes
0111	0x00080000	512 Kbytes
1000	0x00100000	1 Mbyte
1001	0x00200000	2 Mbytes
1010	0x00400000	4 Mbytes
1011	0x00800000	8 Mbytes
1100	0x01000000	16 Mbytes
1101	0x02000000	32 Mbytes
1110	0x04000000	64 Mbytes
1111	0x08000000	128 Mbytes

### 17.11.59 Protected Areas Split Slave Register x [x=9..15]

**Name:** MATRIX\_PASSRx  
**Offset:** 0x0264 + (x-9)\*0x04 [x=9..15]  
**Reset:** 0x00000000  
**Property:** Read/Write

This register can only be written if the WPEN bit is cleared in the [Write Protection Mode Register](#).

Values in the Bus Matrix Protection Registers are product-dependent.

Bit	31	30	29	28	27	26	25	24
	PASPLIT7[3:0]				PASPLIT6[3:0]			
Access	R/W	R/W	R/W	R/W	R/W	R/W	R/W	R/W
Reset	0	0	0	0	0	0	0	0
Bit	23	22	21	20	19	18	17	16
	PASPLIT5[3:0]				PASPLIT4[3:0]			
Access	R/W	R/W	R/W	R/W	R/W	R/W	R/W	R/W
Reset	0	0	0	0	0	0	0	0
Bit	15	14	13	12	11	10	9	8
	PASPLIT3[3:0]				PASPLIT2[3:0]			
Access	R/W	R/W	R/W	R/W	R/W	R/W	R/W	R/W
Reset	0	0	0	0	0	0	0	0
Bit	7	6	5	4	3	2	1	0
	PASPLIT1[3:0]				PASPLIT0[3:0]			
Access	R/W	R/W	R/W	R/W	R/W	R/W	R/W	R/W
Reset	0	0	0	0	0	0	0	0

#### Bits 0:3, 4:7, 8:11, 12:15, 16:19, 20:23, 24:27, 28:31 – PASPLITx Protected Areas Split for HSELx Protected Region

This field defines the boundary address offset where the HSELx AHB slave-protected region splits into two Protected Areas whose access is controlled according to the corresponding MATRIX\_PSR. If this size is set at or above the HSELx Region Size, then the MATRIX\_PSR register settings apply to the unique protected area then covering the whole HSELx Protected Region.

PASPLITx	Split Offset	Protected Low Area Size
0000	0x00001000	4 Kbytes
0001	0x00002000	8 Kbytes
0010	0x00004000	16 Kbytes
0011	0x00008000	32 Kbytes
0100	0x00010000	64 Kbytes
0101	0x00020000	128 Kbytes
0110	0x00040000	256 Kbytes
0111	0x00080000	512 Kbytes
1000	0x00100000	1 Mbyte
1001	0x00200000	2 Mbytes
1010	0x00400000	4 Mbytes
1011	0x00800000	8 Mbytes
1100	0x01000000	16 Mbytes
1101	0x02000000	32 Mbytes
1110	0x04000000	64 Mbytes
1111	0x08000000	128 Mbytes

### 17.11.60 MATRIX Protected Region Top Slave Register [x=0..15]

**Name:** MATRIX\_PRTSRx  
**Offset:** 0x0280 + x\*0x04 [x=0..15]  
**Reset:** 0x00000000  
**Property:** Read/Write

This register can only be written if the WPEN bit is cleared in the [Write Protection Mode Register](#).

Bit	31	30	29	28	27	26	25	24
	PRTOP7[3:0]				PRTOP6[3:0]			
Access	R/W	R/W	R/W	R/W	R/W	R/W	R/W	R/W
Reset	0	0	0	0	0	0	0	0
Bit	23	22	21	20	19	18	17	16
	PRTOP5[3:0]				PRTOP4[3:0]			
Access	R/W	R/W	R/W	R/W	R/W	R/W	R/W	R/W
Reset	0	0	0	0	0	0	0	0
Bit	15	14	13	12	11	10	9	8
	PRTOP3[3:0]				PRTOP2[3:0]			
Access	R/W	R/W	R/W	R/W	R/W	R/W	R/W	R/W
Reset	0	0	0	0	0	0	0	0
Bit	7	6	5	4	3	2	1	0
	PRTOP1[3:0]				PRTOP0[3:0]			
Access	R/W	R/W	R/W	R/W	R/W	R/W	R/W	R/W
Reset	0	0	0	0	0	0	0	0

#### Bits 0:3, 4:7, 8:11, 12:15, 16:19, 20:23, 24:27, 28:31 – PRTOPx HSELx Protected Region Top

This field defines the size of the HSELx protected region address space. Invalid sizes for the slave region must never be programmed. Valid sizes and number of protected regions are product, slave and slave configuration dependent.

**Note:** The slaves featuring multiple scalable contiguous protected regions have a single PRTOP0 field for all the protected regions.

If this HSELx protected region size is set at or below the MATRIX\_PASSR / PASPLITx Protected Areas Split size, then the MATRIX\_PSR register settings apply to the unique protected area then covering the whole HSELx protected region

PRTOPx	Top Offset	Protected Region Size
0000	0x00001000	4 Kbytes
0001	0x00002000	8 Kbytes
0010	0x00004000	16 Kbytes
0011	0x00008000	32 Kbytes
0100	0x00010000	64 Kbytes
0101	0x00020000	128 Kbytes
0110	0x00040000	256 Kbytes
0111	0x00080000	512 Kbytes
1000	0x00100000	1 Mbyte
1001	0x00200000	2 Mbytes
1010	0x00400000	4 Mbytes
1011	0x00800000	8 Mbytes
1100	0x01000000	16 Mbytes
1101	0x02000000	32 Mbytes

.....continued

PRTOPx	Top Offset	Protected Region Size
1110	0x04000000	64 Mbytes
1111	0x08000000	128 Mbytes



### 17.11.61 Protected Peripheral Select 0 Register

**Name:** MATRIX\_PPSELRO  
**Offset:** 0x02C0  
**Reset:** 0x00000000  
**Property:** Read/Write

This register can only be written if the WPEN bit is cleared in the [Write Protection Mode Register](#).

Values in the Bus Matrix Protection Registers are product-dependent.

Bit	31	30	29	28	27	26	25	24
	USERP31	USERP30	USERP29	USERP28	USERP27	USERP26	USERP25	USERP24
Access	R/W	R/W	R/W	R/W	R/W	R/W	R/W	R/W
Reset	0	0	0	0	0	0	0	0
Bit	23	22	21	20	19	18	17	16
	USERP23	USERP22	USERP21	USERP20	USERP19	USERP18	USERP17	USERP16
Access	R/W	R/W	R/W	R/W	R/W	R/W	R/W	R/W
Reset	0	0	0	0	0	0	0	0
Bit	15	14	13	12	11	10	9	8
	USERP15	USERP14	USERP13	USERP12	USERP11	USERP10	USERP9	USERP8
Access	R/W	R/W	R/W	R/W	R/W	R/W	R/W	R/W
Reset	0	0	0	0	0	0	0	0
Bit	7	6	5	4	3	2	1	0
	USERP7	USERP6	USERP5	USERP4	USERP3	USERP2	USERP1	USERP0
Access	R/W	R/W	R/W	R/W	R/W	R/W	R/W	R/W
Reset	0	0	0	0	0	0	0	0

**Bits 0, 1, 2, 3, 4, 5, 6, 7, 8, 9, 10, 11, 12, 13, 14, 15, 16, 17, 18, 19, 20, 21, 22, 23, 24, 25, 26, 27, 28, 29, 30, 31 – USERPy** User PSELy Peripheral

**Note:** See PSEL definition in the section [8.3. FlexProtect Configuration](#).

Value	Description
0	The PSELx[y] APB Peripheral address space is configured as Privileged access.
1	The PSELx[y] APB Peripheral address space is configured as User access.

### 17.11.62 Protected Peripheral Select 1 Register

**Name:** MATRIX\_PPSELR1  
**Offset:** 0x02C4  
**Reset:** 0x00000000  
**Property:** Read/Write

This register can only be written if the WPEN bit is cleared in the [Write Protection Mode Register](#).

Values in the Bus Matrix Protection Registers are product-dependent.

Bit	31	30	29	28	27	26	25	24
	USERP31	USERP30	USERP29	USERP28	USERP27	USERP26	USERP25	USERP24
Access	R/W	R/W	R/W	R/W	R/W	R/W	R/W	R/W
Reset	0	0	0	0	0	0	0	0
Bit	23	22	21	20	19	18	17	16
	USERP23	USERP22	USERP21	USERP20	USERP19	USERP18	USERP17	USERP16
Access	R/W	R/W	R/W	R/W	R/W	R/W	R/W	R/W
Reset	0	0	0	0	0	0	0	0
Bit	15	14	13	12	11	10	9	8
	USERP15	USERP14	USERP13	USERP12	USERP11	USERP10	USERP9	USERP8
Access	R/W	R/W	R/W	R/W	R/W	R/W	R/W	R/W
Reset	0	0	0	0	0	0	0	0
Bit	7	6	5	4	3	2	1	0
	USERP7	USERP6	USERP5	USERP4	USERP3	USERP2	USERP1	USERP0
Access	R/W	R/W	R/W	R/W	R/W	R/W	R/W	R/W
Reset	0	0	0	0	0	0	0	0

**Bits 0, 1, 2, 3, 4, 5, 6, 7, 8, 9, 10, 11, 12, 13, 14, 15, 16, 17, 18, 19, 20, 21, 22, 23, 24, 25, 26, 27, 28, 29, 30, 31 – USERPy** User PSELy Peripheral

Value	Description
0	The PSELx[y] APB Peripheral address space is configured as Privileged access.
1	The PSELx[y] APB Peripheral address space is configured as User access.

### 17.11.63 Protected Peripheral Select 2 Register

**Name:** MATRIX\_PPSELR2  
**Offset:** 0x02C8  
**Reset:** 0x00000040  
**Property:** Read/Write

This register can only be written if the WPEN bit is cleared in the [Write Protection Mode Register](#).

Values in the Bus Matrix Protection Registers are product-dependent.

Bit	31	30	29	28	27	26	25	24
	USERP31	USERP30	USERP29	USERP28	USERP27	USERP26	USERP25	USERP24
Access	R/W	R/W	R/W	R/W	R/W	R/W	R/W	R/W
Reset	0	0	0	0	0	0	0	0
Bit	23	22	21	20	19	18	17	16
	USERP23	USERP22	USERP21	USERP20	USERP19	USERP18	USERP17	USERP16
Access	R/W	R/W	R/W	R/W	R/W	R/W	R/W	R/W
Reset	0	0	0	0	0	0	0	0
Bit	15	14	13	12	11	10	9	8
	USERP15	USERP14	USERP13	USERP12	USERP11	USERP10	USERP9	USERP8
Access	R/W	R/W	R/W	R/W	R/W	R/W	R/W	R/W
Reset	0	0	0	0	0	0	0	0
Bit	7	6	5	4	3	2	1	0
	USERP7	USERP6	USERP5	USERP4	USERP3	USERP2	USERP1	USERP0
Access	R/W	R/W	R/W	R/W	R/W	R/W	R/W	R/W
Reset	0	1	0	0	0	0	0	0

**Bits 0, 1, 2, 3, 4, 5, 6, 7, 8, 9, 10, 11, 12, 13, 14, 15, 16, 17, 18, 19, 20, 21, 22, 23, 24, 25, 26, 27, 28, 29, 30, 31 – USERPy** User PSELy Peripheral

Value	Description
0	The PSELx[y] APB Peripheral address space is configured as Privileged access.
1	The PSELx[y] APB Peripheral address space is configured as User access.

## 18. Chip Identifier (CHIPID)

### 18.1 Description

Chip Identifier (CHIPID) registers are used to recognize the device and its revision. These registers provide the sizes and types of the on-chip memories, as well as the set of embedded peripherals.

Two CHIPID registers are embedded: Chip ID register (CHIPID\_CIDR) and Chip ID Extension register (CHIPID\_EXID). Both registers contain a hard-wired value that is read-only.

The CHIPID\_CIDR register contains the following fields:

- VERSION: Identifies the revision of the silicon
- EPROC: Indicates the embedded ARM processor
- NVPTYP and NVPSIZ: Identify the type of embedded non-volatile memory and the size
- SRAMSIZ: Indicates the size of the embedded SRAM
- ARCH: Identifies the set of embedded peripherals
- EXT: Shows the use of the extension identifier register

The CHIPID\_EXID register is device-dependent and reads '0' if CHIPID\_CIDR.EXT = 0.

### 18.2 Embedded Characteristics

- Chip ID Registers
  - Identification of the Device Revision, Sizes of the Embedded Memories, Set of Peripherals, Embedded Processor

## 18.3 Register Summary

Offset	Name	Bit Pos.	7	6	5	4	3	2	1	0
0x00	CHIPID_CIDR	7:0	EPROC[2:0]			VERSION[4:0]				
		15:8	NVPSIZ2[3:0]				NVPSIZ[3:0]			
		23:16	ARCH[3:0]				SRAMSIZ[3:0]			
		31:24	EXT	NVPTYP[2:0]			ARCH[7:4]			
0x04	CHIPID_EXID	7:0	EXID[7:0]							
		15:8	EXID[15:8]							
		23:16	EXID[23:16]							
		31:24	EXID[31:24]							

### 18.3.1 Chip ID Register

**Name:** CHIPID\_CIDR  
**Offset:** 0x0  
**Reset:** 0xB1770700  
**Property:** Read-only

Values not listed for bitfields must be considered as “reserved”

Bit	31	30	29	28	27	26	25	24
	EXT	NVPTYP[2:0]			ARCH[7:4]			
Access	R	R	R	R	R	R	R	R
Reset	1	0	1	1	0	0	0	1
Bit	23	22	21	20	19	18	17	16
	ARCH[3:0]				SRAMSIZ[3:0]			
Access	R	R	R	R	R	R	R	R
Reset	0	1	1	1	0	1	1	1
Bit	15	14	13	12	11	10	9	8
	NVPSIZ2[3:0]				NVPSIZ[3:0]			
Access	R	R	R	R	R	R	R	R
Reset	0	0	0	0	0	1	1	1
Bit	7	6	5	4	3	2	1	0
	EPROC[2:0]			VERSION[4:0]				
Access	R	R	R	R	R	R	R	R
Reset	0	0	0	0	0	0	0	0

#### Bit 31 – EXT Extension Flag

Value	Description
0	Chip ID has a single register definition without extension.
1	An extended Chip ID exists.

#### Bits 30:28 – NVPTYP[2:0] Non-volatile Program Memory Type

Value	Name	Description
3	FLASH_AND_ROM	Embedded Flash and ROM memory

#### Bits 27:20 – ARCH[7:0] Architecture Identifier

Value	Name	Description
23	SAMRH707	SAMRH707

#### Bits 19:16 – SRAMSIZ[3:0] Internal SRAM Size

Value	Name	Description
7	128K	128 Kbytes

#### Bits 15:12 – NVPSIZ2[3:0] Second Non-volatile Program Memory Size

Value	Name	Description
0	NONE	None

#### Bits 11:8 – NVPSIZ[3:0] Non-volatile Program Memory Size

Value	Name	Description
7	128K	128 Kbytes

#### Bits 7:5 – EPROC[2:0] Embedded Processor

Value	Name	Description
0	SAM x7	Cortex-M7

**Bits 4:0 – VERSION[4:0]** Version of the Device  
Current version of the device.

### 18.3.2 Chip ID Extension Register

**Name:** CHIPID\_EXID  
**Offset:** 0x4  
**Reset:** 0x00000000  
**Property:** Read-only

Bit	31	30	29	28	27	26	25	24
	EXID[31:24]							
Access	R	R	R	R	R	R	R	R
Reset	0	0	0	0	0	0	0	0
Bit	23	22	21	20	19	18	17	16
	EXID[23:16]							
Access	R	R	R	R	R	R	R	R
Reset	0	0	0	0	0	0	0	0
Bit	15	14	13	12	11	10	9	8
	EXID[15:8]							
Access	R	R	R	R	R	R	R	R
Reset	0	0	0	0	0	0	0	0
Bit	7	6	5	4	3	2	1	0
	EXID[7:0]							
Access	R	R	R	R	R	R	R	R
Reset	0	0	0	0	0	0	0	0

**Bits 31:0 – EXID[31:0]** Chip ID Extension  
This field is cleared if CHIPID\_CIDR.EXT = 0.  
0x0 = CFQP164 package



## 19. ROM Bootloader

### 19.1 Overview

The ROM bootloader includes a set of firmwares designed to set up the device, download and execute the Application Software (ASW) in different memories.

### 19.2 Embedded Characteristics

- Default boot program sets up the device in a known state
- Run phase, executed by default, includes a user program copied from an external SPI memory
- Maintenance phase includes the following:
  - Download/upload code in different internal memories (FlexRAM, I/DTCM, Flash) and external memories (SPI memory)
  - Update current boot configuration vector stored in volatile memory (FlexRAM)
  - Supports execution from different memories
    - External SPI memory, by using the FlexCOM0 peripheral
    - Internal FlexRAM
    - Internal ITCM
  - Supports inputs from several communication interfaces
    - FlexCOM1 – UART Mode
    - SpaceWire 0 (LVDS and TTL supported)

### 19.3 Referenced Documents

- Telemetry and Telecommand Packet Utilization, ECSS-E-70-41C (15/04/2016)
- ROM bootloader TCTM ASN1 Encoding, Icd.html (03/04/2020)

### 19.4 Hardware and Software Constraints

#### 19.4.1 TM/TC Links Definition and Selection

The ROM bootloader software requires 42 KBytes of internal FlexRAM and 56 KBytes of DTCM for variables, stacks, and buffer to copy and run the embedded code.

The Telemetry and Telecommand Link (TM/TC) can be established over either an UART interface or a SpaceWire interface:

- If the UART is selected, the FLEXCOM1 interface will be used, with the following configuration (9600 bauds, 8 bits, no parity bit, and no handshaking)
- If the SpaceWire is selected, the SpaceWire 0 is used, either in TTL or LVDS mode. For more information, see [36.5.1. I/O Lines](#).

**Table 19-1.** Pins Used by Peripherals

Peripheral	Pin	PIO line	Peripheral Selected
FlexCOM0—SPI Mode			
FLEXCOM0	FLEXCOM0_IO0	PA21	Peripheral A
FLEXCOM0	FLEXCOM0_IO1	PA22	Peripheral A
FLEXCOM0	FLEXCOM0_IO2	PA26	Peripheral A
FLEXCOM0	FLEXCOM0_IO3	PA28	Peripheral A
FlexCOM1—UART Mode			
FLEXCOM1	FLEXCOM1_IO0	PB4	Peripheral B

.....continued

Peripheral	Pin	PIO line	Peripheral Selected
FLEXCOM1	FLEXCOM1_IO1	PB5	Peripheral B
SpaceWire 0—(TTL mode)			
SPW0	SPWDINP0	PD10	Peripheral A
SPW0	SPWDOUTP0	PD12	Peripheral A
SPW0	SPWSOUTP0	PD14	Peripheral A
SPW0	SPWSINP0	PD16	Peripheral A
SpaceWire 0—(LVDS mode)			
SPW0	SPWDINP0	PD10	Peripheral A
SPW0	SPWDINNO	PD11	Peripheral A
SPW0	SPWDOUTP0	PD12	Peripheral A
SPW0	SPWDOUTNO	PD13	Peripheral A
SPW0	SPWSOUTP0	PD14	Peripheral A
SPW0	SPWSOUTNO	PD15	Peripheral A
SPW0	SPWSINP0	PD16	Peripheral A
SPW0	SPWSINNO	PD17	Peripheral A

## 19.4.2 ROM Bootloader Selection

The processor has several bootstrap options sensed during reset. Additional pins provide options for the selected Boot mode.

**Table 19-2.** Pins Used for Boot Mode Selection

Function	PIO	Description
BOOT_MODE0	PC30	Boot mode selection
BOOT_MODE1	PC29	Boot mode selection
CFG2	PA25	Additional options for selected Boot mode
CFG3	PA19	Additional options for selected Boot mode

The ROM bootloader is selected by setting BOOT\_MODE1='1' and BOOT\_MODE0='X' when the reset is released. Several options are available for the ROM bootloader:

- Mode selection: Run phase or Maintenance phase
- Telemetry/Telecommand (TM/TC) link selection: UART, SpaceWire (LVDS mode) or SpaceWire (TTL mode)

**Table 19-3.** Boot Mode Selection and Options

BOOT_MODE1	BOOT_MODE0	CFG2	CFG3 <sup>(1)</sup>	Bootloader phase selected, after run phase	TM/TC link selected
1	X	0	0	ROM-Run phase	FlexCOM1 UART mode
1	0	1	0	ROM-Run phase	SpaceWire 0 LVDS mode
1	1	1	0	ROM-Run phase	SpaceWire 0 TTL mode
1	X	0	1	ROM-Maintenance phase	FlexCOM1 UART mode
1	0	1	1	ROM-Maintenance phase	SpaceWire 0 LVDS mode
1	1	1	1	ROM-Maintenance phase	SpaceWire 0 TTL mode

**Note:**

1. Not sampled at reset but sampled once the boot phase is completed.

### 19.4.3 SPI Supported Commands List

Each SPI memory has specific operation instructions to erase/read/write into or from the memory. The following table lists the operation instructions supported by the ROM bootloader on the SPI memory:

**Table 19-4.** SPI Supported Commands List

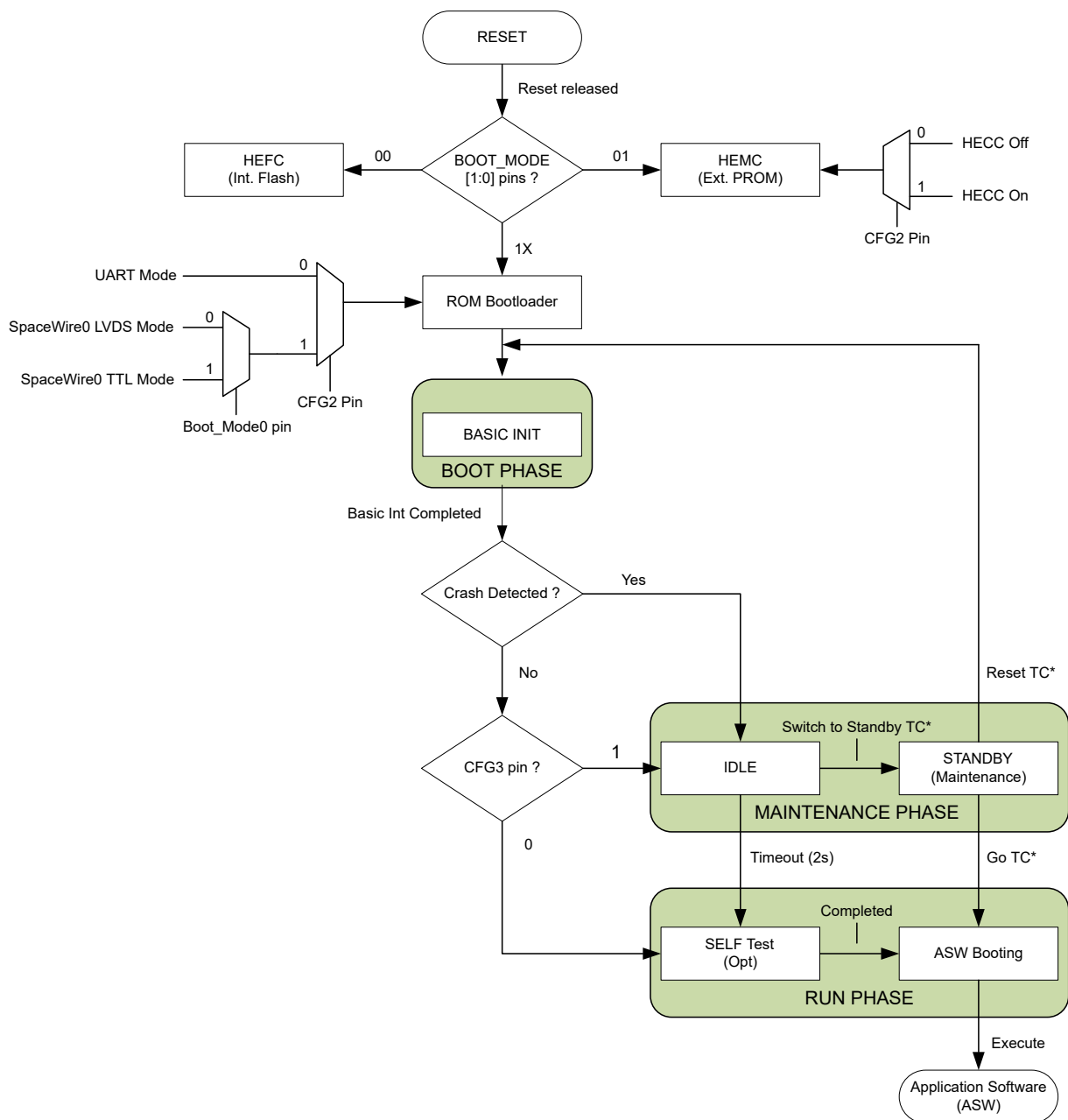
Description	Command Cycle
Read Memory	03H
Write Enable	06H
Erase 4 Kbytes of Memory Array	20H
Page Program	02H
Read Status Register	05H
Reset Enable	66H
Reset Memory	99H
Write Status Register	01H
Global Block Protection Unlock	98H

Examples of SPI Flash memory supported by Microchip are SST26 and SST25 families.

## 19.5 Flow Diagram

The ROM bootloader implements the algorithm as shown in the following flowchart.

Figure 19-1. ROM Bootloader Flowchart



ROM phases description:

- Boot phase: Basic device initialization
- Run phase: Execution of the Application Software (ASW) contained in the external SPI memory without end-user interaction. Before being executed, the ASW is copied to internal memory (ITCM/FlexRAM).
- Maintenance phase: A new ASW can be uploaded through the selected TM/TC link to internal or external memories and then executed. Additional features are also available in this phase: memory content check, bootloader integrity check and bootloader configuration.

More details about each phase are given in the following paragraphs.

## 19.6 Boot Phase

This is the device initialization phase. This phase starts as soon as the ROM bootloader Boot mode is selected.

The main actions are the following:

- Vector table is configured and enabled
- FPU is enabled
- Watchdog is configured at maximum value
- Internal RC clock source auto-calibration is launched
- Clocks configuration
  - The RC 10 MHz is selected as the MainCK clock source and the RC2 10 MHz as the SpaceWire clock source
  - The PLLA is configured to generate a 100 MHz PLLACK clock source
  - The PLLA/2 is selected as a clock source for HCLK and MCK
  - The PLLB is configured to generate a 100 MHz PLLBCK clock source
- MPU configuration
  - Each memory is configured in Normal mode
- I/D cache activation
- ITCM and DTCM initialization and ITCM activation.
- FlexRAM initialization
- Peripherals and PIO initialization
  - PA19: internal pull up deactivated.
  - FLEXCOM1: UART mode selected, the PIO are configured and its corresponding clock is enabled
  - FLEXCOM0: SPI mode selected. SPI configuration is set in master mode, mode 0 selected. The PIO are configured and its corresponding clock is enabled
  - SpaceWire 0: Autostart mode selected, RC2 then PLLB are selected as clock sources and clocks are enabled. SpaceWire PIO are configured depending the TM/TC link selected (LVDS or TTL)

Once the boot phase is completed, the boot report (see its definition in the section [19.10.1. Boot Report Structure](#)) is sent over the TM/TC link in-use.

The next phase is selected through CFG3 (PA19).

- If a high level is detected, the maintenance phase is selected.
- If a low level is detected, the run phase is selected.  
PA19 pull up is re-enabled after that.

## 19.7 Maintenance Phase

A new ASW can be loaded to external or internal memories during the maintenance phase through the selected TM/TC link. Memory checks, content verification, and updating the Configuration Vector (CV) can be performed.

The maintenance phase has two states:

- Idle
- Standby

### 19.7.1 Idle

The ROM bootloader is waiting for a signal to enter into Standby state. If the 2 seconds timeout is exceeded, it loads the image selected by Configuration Vector. The default selection loads an image contained in the external SPI memory.

### 19.7.2 Standby

The ROM bootloader has the ability to load, dump, and check internal memory areas accessible by the processor, including volatile memories, non-volatile memories and various peripheral registers mapped to the general address space. This functionality is accessible through the PUS6 telecommands over the TM/TC link. (see section [19.9.1. External Commands List](#)).

Therefore,

- The content of FlexRAM, I/DTCM, internal Flash and external SPI memory can be updated, by uploading a new ASW image over the TM/TC link
  - The content of memories can be checked
  - Configuration Vector can be updated, to configure the ROM bootloader options
- The following table lists the possible paths for downloading a new ASW:

**Table 19-5.** Possible Paths

Source/Destination	Internal-Flash	External SPI memory (via FlexCOM_SPI)	FlexRAM	ITCM	DTCM
TM/TC FlexCOM_UART	X	X	X	X	X
TM/TC SpaceWire	X	X	X	X	X

The ROM bootloader remains in Standby state until a specific telecommand is received (see section [19.9.1. External Commands List](#)).

## 19.8 Run phase

The Run phase involves executing the ASW image located in internal memory or relocated from an SPI external memory to the internal memory.

The following actions are performed:

- Self-Test: the ROM bootloader executes the hardware self-testing procedure
- AswBooting: the ROM bootloader performs an integrity check and copies the selected ASW image to the internal memory

### 19.8.1 Self-Test

The Self-Test checks the hardware peripheral integrity and the memory content.

The following elements are checked:

- ROM bootloader image integrity
- Internal RAM integrity
- FLEXCOM0 SPI by performing a loop back test
- FLEXCOM1 UART by performing a loop back test

SpaceWire 0, by performing a loop back test.

The boot report (see its structure definition in section [19.10.1. Boot Report Structure](#)), stored in FlexRAM, is updated after each self-test to clearly identify the status of different steps of the testing procedure. After the procedure is completed, a telemetry command sends its content over the TM/TC link.

## 19.8.2 AswBooting

The AswBooting copies the ASW image to a volatile memory. A checksum is computed before and after the copy.

### Notes:

- Coming from the Run phase, the ASW image is copied from SPI memory to the internal volatile memory (FlexRAM, I/DTCM)
- Coming from the Maintenance phase and if the ASW image with a special header has been uploaded in the Maintenance phase to an internal memory, it can be booted directly. The copying step is then skipped and only the ASW integrity check is performed.

A telemetry packet is sent via the TM/TC link to provide details about the checks performed.

## 19.9 External Commands

### 19.9.1 External Commands List

The ROM bootloader is managed via commands received over the TM/TC link, allowing the operator to perform the following actions:

- Load/Dump/Check raw data in memory
- Load/Store data in flash memory
- Load/Store data in external SPI memory
- Test the TM/TC link
- Send a bootloader-specific function

The ROM bootloader sends reports via the TM/TC link:

- Progress and results of a verification procedure
- TM/TC test link

Commands summary is given in the following table. For a complete description, see [icd.html \[ROM boot loader TCTM ASN1 Encoding, Icd.html\]](#).

**Table 19-6.** Available PUS C Capabilities Overview

Capability	Message type	Availability			
		Self-Test State	Idle State	Standby State	ASW Booting State
PUS 1 - Request Verification Service					
Acceptance and Reporting Subservice					
Report successful acceptance verification	TM[1,1]		X	X	
Report failed acceptance verification	TM[1,2]		X	X	
Execution Reporting Subservice					
Report successful start of execution verification	TM[1,3]		X	X	
Report failed start of execution verification	TM[1,4]		X	X	
Report successful progress of execution verification	TM[1,5]		X	X	
Report failed progress of execution verification	TM[1,6]		X	X	
Report successful completion of execution verification	TM[1,7]		X	X	
Report failed completion of execution verification	TM[1,8]		X	X	
PUS 5 - Event Reporting Service					
Event Reporting Subservice					

.....continued

Capability	Message type	Availability			
		Self-Test State	Idle State	Standby State	ASW Booting State
Report informative event	TM[5,1]	X	X		X
Report low severity anomaly	TM[5,2]	X			
Report high severity anomaly	TM[5,4]	X			X
PUS 6 - Memory Management Service					
Raw Data memory Management Subservice					
Load raw memory data areas	TC[6,2]			X	
Dump raw memory data	TC[6,5] TM[6,6]			X	
Check raw memory data	TC[6,9] TM[6,10]			X	
Flash Management Subservice					
Load Flash sector	TC[6,128]			X	
Store Flash sector	TC[6,129]			X	
Zero Flash buffer	TC[6,130]			X	
External SPI Memory Management Subservice					
Load Flash sector	TC[6,128]			X	
Store Flash sector	TC[6,129]			X	
PUS 8 - Function Management Service					
Function Management Subservice					
Perform a function	TC[8,1]		X	X	
PUS 17 - Test Service					
Test Subservice					
Perform an are-you-alive connection test	TC[17,1] TM[17,2]		X	X	

## 19.9.2 Telecommand and Telemetry over FlexCOM1 UART

### Description

Transmission over UART can be treated more as a stream of bytes and as such requires some type of packetization mechanism. The ROM bootloader applies two transformations to data packets sent and received over UART:

- When transmitting, it first escapes special characters and then adds start/stop markers to each packet.
- When receiving, these transformations are reversed: the markers are removed, and characters are de-escaped.

The following table lists special characters introduced and replaced in the packets.

**Table 19-7.** Special Characters in UART Transmission

Character	Meaning	Escaping
0xb0	Start marker	0xda 0xdb
0xc0	Stop marker	0xda 0xdc
0xda	Escaping marker	0xda 0xdd

### Example

The following sequence of bytes: 0xaf 0xb0 0xb1, after escaping, would look like: 0xb0 0xaf 0xda 0xdb 0xb1 0xc0.



Initial sequence of bytes		0xaf	0xb0	0xb1	
Sequence of bytes, after escaping	0xb0	0xaf	0xda	0xdb	0xc0

### 19.9.3 Telecommand and Telemetry over SpaceWire

The use of the Packet Utilization Standard to communicate with the ROM bootloader forces a packet structure on data transmitted to and from the bootloader. The SpaceWire interface is inherently packet-based and therefore does not require any special data manipulation.

### 19.9.4 Telecommand

The ROM bootloader shall only receive Telecommands, so this section describes the input expected by the ROM bootloader.

[Table 19-8](#) provides a general description of the CCSDS space packet structure used for Telecommands. [Table 19-9](#) provides the packet secondary header structure for Telecommands.

The Telecommand payload (if any) is contained in the user data field. These structures are provided only for a general layout overview, details for each Telecommand are available in [Table 19-6](#).

**Table 19-8.** Telecommand CCSDS Packet Structure Overview

	Packet primary header							Packet data field		
	Packet version number	Packet ID			Packet sequence control		Packet data length	Packet secondary header	User data field	
		Packet type	Secondary header flag	Application process ID	Sequence flags	Packet sequence count			Data	Packet error control
Value	000	1	1	configured	11	variable	variable	variable	variable	variable
Bits count	3	1	1	11	2	14	16	40	var.	16
	16				16		16	variable		

**Table 19-9.** Telecommand CCSDS Packet Secondary Header Structure

	TC Packet PUS version number	Acknowledgement flags	Message type ID		Source ID
			Service type ID	Message subtype ID	
Value	2	variable	variable	variable	0
Bits count	4	4	8	8	16

### 19.9.5 Telemetry

The ROM bootloader shall only generate Telemetry. This section describes the output format generated.

[Table 19-10](#) provides a general description of the used CCSDS Space packet structure for Telemetry.

[Table 19-11](#) provides the packet secondary header structure for Telemetry.

The Telemetry payload (if any) is contained in the user data field. These structures are provided only for a general layout overview, details for each Telemetry are available in the later sections.

A list of generated Telemetry is available in [Table 19-6](#).

**Table 19-10.** CCSDS Telemetry Packet Structure Overview

	Packet primary header							Packet data field		
	Packet version number	Packet ID			Packet sequence control		Packet data length	Packet secondary header	User data field	
		Packet type	Secondary header flag	Application process ID	Sequence flags	Packet sequence count			Data	Packet error control
Value	000	0	1	configured	11	variable	variable	variable	variable	variable

.....continued

	Packet primary header							Packet data field		
	Packet version number	Packet ID			Packet sequence control		Packet data length	Packet secondary header	User data field	
		Packet type	Secondary header flag	Application process ID	Sequence flags	Packet sequence count			Data	Packet error control
Bits	3	1	1	11	2	14	16	120	var.	16
count	16				16		16	variable		

**Table 19-11.** CCSDS Telemetry Packet Secondary Header Structure

	TC Packet PUS version number	Spacecraft time reference status	Message type ID		Message type counter	Destination ID	Time
			Service type ID	Message subtype ID			
Value	2	variable	variable	variable	variable	0	variable
Bits count	4	4	8	8	16	16	64

## 19.10 Reports Definition

Several reports are sent over the TM/TC link by the ROM bootloader to provide health statuses. The following sections provide structure of each report.

### 19.10.1 Boot Report Structure

The following table provides a general memory layout of the Boot Report data that is generated and stored in the internal FlexRAM memory. It can be downloaded in Standby state through PUS6 telecommands or through similar facilities in ASW.

**Table 19-12.** Boot Report Structure

Field	Size (bytes)	Offset
ROM bootloader X.Y.Z version	3	0
Boot Reason	1	3
Selected ASW image ( <a href="#">Table 19-15</a> )	140	4
ASW image validation flag	1	144
Self-Tests Results ( <a href="#">Table 19-13</a> )	24	145
ROM bootloader Death Report ( <a href="#">Table 19-14</a> )	640	169
ASW Death Report ( <a href="#">Table 19-14</a> )	640	809
Padding	1	1449
Boot Report CRC ( <a href="#">Telemetry and Telecommand Packet Utilization</a> )	2	1450

Boot Report contains the following fields:

- ROM bootloader X.Y.Z version—contains the current ROM bootloader version
- Boot Reason—reason for the current boot
- Selected ASW image—header of the ASW image selected for boot. This value is cleared after boot and written just before the image copy and verification
- ASW image validation flag—flag indicating whether the ASW image was validated or not
- Self-Tests Results—report from the last ran self-test
- ROM bootloader Death Report—report written in case of ROM bootloader crash handling
- ASW Death Report—report written in case of an ASW crash handling
- Boot Report CRC—boot report checksum

### 19.10.2 Self-Test Report Structure

The following table provides a description of the Self-Test result reports.

**Table 19-13.** Self-Tests Results Structure

Self-Tests Results	Size (bytes)	Offset	Description
Execution Status	1	0	Status (0 – Not Run, 1 – Started, 2 – Completed)
ROM bootloader image integrity	3	1 1	Status (0 – Not Run, 1 – Started, 2 – OK, 3 – Failed)
		2 2	Computed CRC
On-chip FlexRAM	13	1 4 4	Status (0 – Not Run, 1 – Started, 2 – OK, 3 – Failed)
		4 5	Failed address
		4 9	Read value
		4 13	Expected value
SPI	1	17	Status (0 – Not Run, 1 – Started, 2 – OK, 3 – Failed)
UART	1	18	Status (0 – Not Run, 1 – Started, 2 – OK, 3 – Failed)
SpaceWire	1	19	Status (0 – Not Run, 1 – Started, 2 – OK, 3 – Failed)
Checksum	2	20	Annex B.1 [ <a href="#">Telemetry and Telecommand Packet Utilization</a> ]

The Execution Status field contains the global execution flag, it indicates whether the Self-Tests were skipped, started but not completed, or started and completed. The remaining fields contain the status of each test.

### 19.10.3 Death Report Structure

The following table provides a general description of the Death Report (identical for the ROM bootloader and the ASW image). It contains the identifier of the exception, the value of all CPU registers, the part of the stack trace, the report from the last performed Self-Test and the checksum for the Death Report content verification.

**Table 19-14.** Death Report Structure

Death Report	Size (bytes)	Offset	Description
Exception Identifier	4	0	Value identifying exception handler that was called.
CPU Registers	88	4 4	General purpose registers (R0-R12)
		4 56	MSP
		4 60	PSP
		4 64	LR
		4 68	PC
		4 72	PSR
		4 76	PRIMASK
		4 80	FAULTMASK
		4 84	BASEPRI
		4 88	CONTROL
Stack Trace	520	4 92 92	Beginning of stack trace pointer
		4 96	Saved stack trace length
		512 100	Raw copy of the memory starting at stack trace pointer with size limit of 512 Bytes.
Self-Tests Results	22	612	Copy of self-test results from execution that ended in unrecoverable exception.
Checksum	2	634	Annex B.1 [ <a href="#">Telemetry and Telecommand Packet Utilization</a> ]

## 19.11 ASW Definition

### 19.11.1 ASW Image Header

Some metadata should be provided with the ASW image, in order to properly validate and copy the image to the target memory. A metadata structure shall precede each image, the layout is provided in [Table 19-15](#). When identifying an ASW image to load and boot, the address of the associated ASW Image Header is provided. The header is prepared and uploaded along with the image itself. It is required that the image and the header are placed at word (4-byte) boundary in the Flash memory.

**Table 19-15.** ASW Image Header Structure

ASW Image Header (140 Bytes)								
	Header version	Image version			Image entry address	Image section headers	Padding	Header CRC
		Major version	Minor version	Patch version				
Value	0x01	Variable	Variable	Variable	Variable	Variable	0x0000	Variable
Bits		8	8	8				
count	8	24			32	1024	16	16

ASW Image Header fields are as follows:

- Header version—version of the ASW Image Header structure, used to check if the current ROM bootloader version can use the provided ASW image
- Image version—X.Y.Z version of the ASW in image
- Image entry address—address within the memory boundaries which will be jumped to after the image is copied and validated
- Image section headers—image ELF header sections, validated and copied independently
- Header CRC—header error control (checksum of all header bytes, calculated according to Annex B.1 [[Telemetry and Telecommand Packet Utilization](#)])

**Table 19-16.** ASW Image Section Header structure

ASW Image Section Header (16 Bytes)					
	Section source address	Section target address	Section length	Padding	Section CRC
Value	Variable	Variable	Variable	0x0000	Variable
Bits count	32	32	32	16	16

ASW Image Section Header fields are as follows:

- Section source address—source data start address
- Section target address—destination data start address
- Section length—section size in bytes
- Section CRC—data section checksum

## 19.12 Configuration Vector Definition

Additional ROM bootloader features are accessible to the end user through the Configuration Vector.

The Configuration Vector stores the following parameters:

- Fast-path selectors (self-tests, memory self-tests and image validation enable flags)
- ASW image selector (memory identifier and base address of the image header)
- Data cache enable flag
- Instruction cache enable flag

The following table lists the Configuration Vector structure.

**Table 19-17.** Configuration Vector Structure

Item	Size (bytes)	Offset	Description	
ASW image selector	4	0	Base address of the selected image's header	
ASW image memory identifier	1	4	Memory identifier for ASW image address (0: internal memory, 1 External SPI memory)	
Data cache enable flag	1	5	Flag (0 - Disabled, 1 - Enabled)	
Instruction cache enable flag	1	6	Flag (0 - Disabled, 1 - Enabled)	
Fast-path selectors	Self-tests enable flag	1	7	Flag (0 - Disabled, 1 - Enabled)
	Memory test enable flag	1	8	Flag (0 - Disabled, 1 - Enabled)
	ASW image validation enable flag	1	9	Flag (0 - Disabled, 1 - Enabled)
CRC	2	10	CRC from bytes [0..10], calculated according to Annex B.1 of <a href="#">[Telemetry and Telecommand Packet Utilization]</a>	

**Note:** The Configuration Vector located in FlexRAM is initialized during the boot phase with default values.

## 19.13 Debug Log

The ROM bootloader logs a simple record in volatile memory upon reaching certain milestones or observing certain events. The structure of a log entry is described in the following table. Log entries are stored in a circular buffer, which is managed by the ROM bootloader through an internal descriptor.

**Table 19-18.** Structure of a Debug Log Entry

Item	Size (bytes)	Offset
Timestamp (microseconds from the initialization of the bootloader's time manager)	8	0
Identifier of the source of the entry	2	8
Identifier of the event causing the entry	2	10
Numerical parameter 1	4	12
Numerical parameter 2	4	16

The following table lists the source and event identifiers generated by the ROM bootloader.

**Table 19-19.** Source and Event Identifiers Saved in the Debug Log

Source	Event	Id
BswInIt (41)	Log Initialized	1
	Tic Initialized	2
	Uart Initialized	3
	Spw Initialized	4
	C&C Link Initialized	5
	Time Manager Started	6
	State Manager Configured	7
	PUS Services Initialized	8
StateManager (33)	Starting Execution	9
	Idle Entered	101
	Exiting Idle	102
	Standby Entered	201
	Self-Test Entered	301

.....continued

Source	Event	Id
	Exiting Self Test	302
	ROM bootloader Image OK	303
	ROM bootloader Image Validation Failed	304
	SPI OK	305
	SPI Validation Failed	306
	UART OK	307
	UART Validation Failed	308
	ASW Booting Entered	401
AswLoader (37)	ASW Header OK	1
	ASW Header Invalid	2
	Source Image OK	3
	Source Image Invalid	4
	Destination Image OK	5
	Destination Image Invalid	6
	Jumping to ASW	7
PusManager (34)	PUS8 Service - Software Reset Requested	801
	PUS8 Service - Function Requested In Idle	802
	PUS8 Service - Function Requested In Standby	803

## 19.14 Address Mapping

The FlexRAM and DTCM memories are used by the ROM bootloader as its operational memory and for the static buffers. It also contains Configuration Vector of the bootloader. The map of this memory is provided in the following table.

**Table 19-20.** Memory Map and Internal SRAM

Address range		Function
0x20000000	0x2000DFFF	BSW data and heap. (56 KBytes)
0x21000000	0x21007FFF	BSW static data and execution stack (32 KBytes)
0x2101DA20	0x2101FA1F	Flash Buffer (8 KBytes)
0x2101FA20	0x2101FFEF	Boot Report (1488 Bytes)
0x2101FFF0	0x2101FFFF	Configuration Vector (16 Bytes)

## 20. Hardened Embedded Flash Controller (HEFC)

### 20.1 Description

The Hardened Embedded Flash Controller (HEFC) provides a high-level interface between the internal Flash plane and the 32-bit internal bus.

Its 128-bit wide memory interface increases performance. It also manages the programming, erasing, locking and unlocking sequences of Flash memories using a full set of commands. One of the commands returns the embedded Flash descriptor definition that informs the system about the Flash organization, thus making the software generic.

This block embeds an ECC functionality to protect the embedded memory against cumulative radiation effects.

### 20.2 Embedded Characteristics

- Flash Plane Features Managed by HEFC
  - 32 NVM calibration bits
  - 128 end-user fuse bits (GPNVM) available
  - 32 lock bits, protecting each the 32 first pages against unwanted write or erase operations
  - 256 bytes of User Signature Area available
- Global HEFC Features
  - Commands protected by a keyword
  - Erases the entire Flash
  - Erases by group of pages (available group sizes in pages: 4, 8, 16, 32)
  - Erases by page
  - Supports erasing before programming
  - Register write protection
- HEFC Data Reliability
  - BCH ECC module and extra parity implemented
    - Detects up to 3 errors per 32-bit word
    - Corrects up to 2 errors per 32-bit word
- Error notification by interruption or flag
- HEFC Power Management
  - Memory plane power ON/OFF control
  - Memory plane insulation

### 20.3 Product Dependencies

#### 20.3.1 Power/Reset/Clock Management

The Hardened Embedded Flash Controller (HEFC) must be clocked by a 4 MHz clock at startup. Prior to any use (for boot, and so on), Flash modules driven by the HEFC must be properly powered-on and calibrated. The HEFC is responsible of this full power-up sequence based on the 4 MHz clock. Once this power-up sequence is done, the HEFC module notifies it.

Clocks provided to Flash modules must not exceed 20 MHz and are generated by the HEFC itself with a ratio of 3 ( $CLK_{Flash} = CLK_{HEFC}/3$ );  $CLK_{HEFC}$  must not exceed 60 MHz. Thus after the startup sequence, the 4 MHz clock may be changed but must not exceed 60 MHz.

Flash modules may be insulated and powered off during the application phase using the power management techniques embedded in the HEFC.

The write/erase clock is provided by the PMC. It must be configured at 2 MHz and enabled before using the erase/write feature on Flash memory.

### 20.3.2 Interrupt Sources

The HEFC interrupt lines are connected to the interrupt controller. Using the HEFC interrupts requires the interrupt controller to be programmed first. The HEFC interrupts are generated only if the corresponding value of Flash Mode register (HEFC\_FMR) is '1'. For Flash Ready Interrupt, HEFC\_FMR.FRDY must be set to '1' and for Flash Power Status Interrupt, HEFC\_FMR.FPSI must be set to '1'.

## 20.4 Functional Description

### 20.4.1 Aerospace Restrictions

The write and erase processes of the embedded Flash memories are not allowed during flights. Furthermore, for better data retention in a radiation environment, the HEFC offers the possibility for the end user to power-up or power-down (with automatic insulation process) the Flash memories.

### 20.4.2 Embedded Flash Organization

The embedded Flash interfaces directly with the internal bus. The embedded Flash is composed of the following:

- One memory plane organized in:
  - One write buffer (latch buffer) that manages page programming. The write buffer size is equal to the page size (256 bytes of data and 128 bytes of ECC). This buffer is write-only and accessible all along the 128-KByte address space, so that each word can be written to its final address.
  - One array of 512 pages (256 bytes of data and 128 bytes of ECC)
  - Two additional rows which contain:
    - Xrow[0]: 128 fuse bits (GPVNM), 32 lock bits and 32 NVM calibration bits (see [Flash Commands](#) for details on how they can be accessed)
    - Xrow[1] (User signature area): 1 page of 256 bytes and 128 bytes of ECC

**Note:** Each 32 data bits (except for Xrow[0]) can be protected using 16 extra bits. The HEFC uses 13 extra bits to protect the 32 data bits on-the-fly. The 3 extra bits that are unused are padded to '0' and erased to '1'.

- An ECC block to protect end user data against cumulative radiation events with a BCH code (32 bits of data protected by 13 bits of checksum). Per 32-databit word, one or two errors are corrected while three errors are detected. If a word contains 4 or more errors, the ECC block behaves unpredictably. All detected errors are monitored and notified.
- A Flash controller to interface the 128-Kbyte memory plane with the 32-bit interface AMBA bus. The memory plane responds natively to the different write/read AMBA commands:
  - When an AMBA READ command is received by the controller, a 128-bit READ operation is performed through the 128-Kbyte memory plane to collect the data. For more details, see [Read Operations](#).
  - When an AMBA WRITE command is received by the controller, a LOAD operation is performed into the latch buffer (equivalent to one page). In a second step, a write command pushes these latched data to the Flash memories. For more details, see [Write Commands](#).

The other commands to control the memory plane are sent by the end user through the dedicated Flash Command register (HEFC\_FCR). See [Flash Commands](#) for details.

Thus, this block:



- Manages high level requests from the end user
- Generates the appropriate sequences to Flash memories
- Routes the dataflow from end user to Flash memories and from Flash memories to end user
- Drives the insulation controller
- An insulation controller (driven by the Flash controller) to manage Flash memories' insulation and their power-up or power-down. For additional information, refer to [Flash Power Management](#).

**Figure 20-1.** Embedded Flash Overview

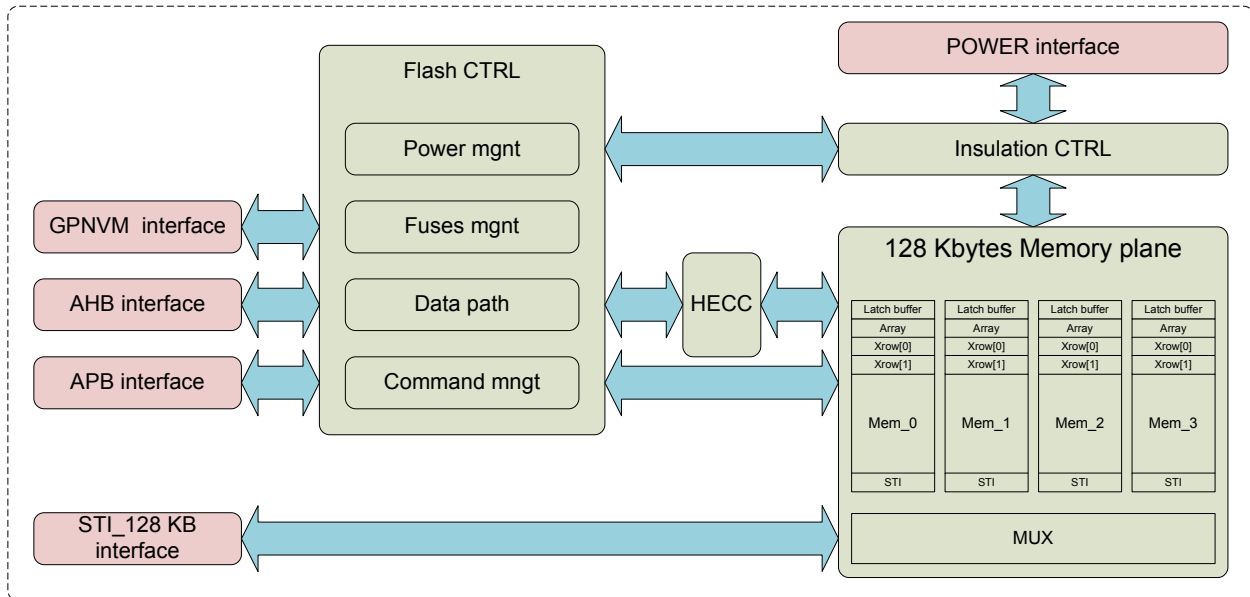
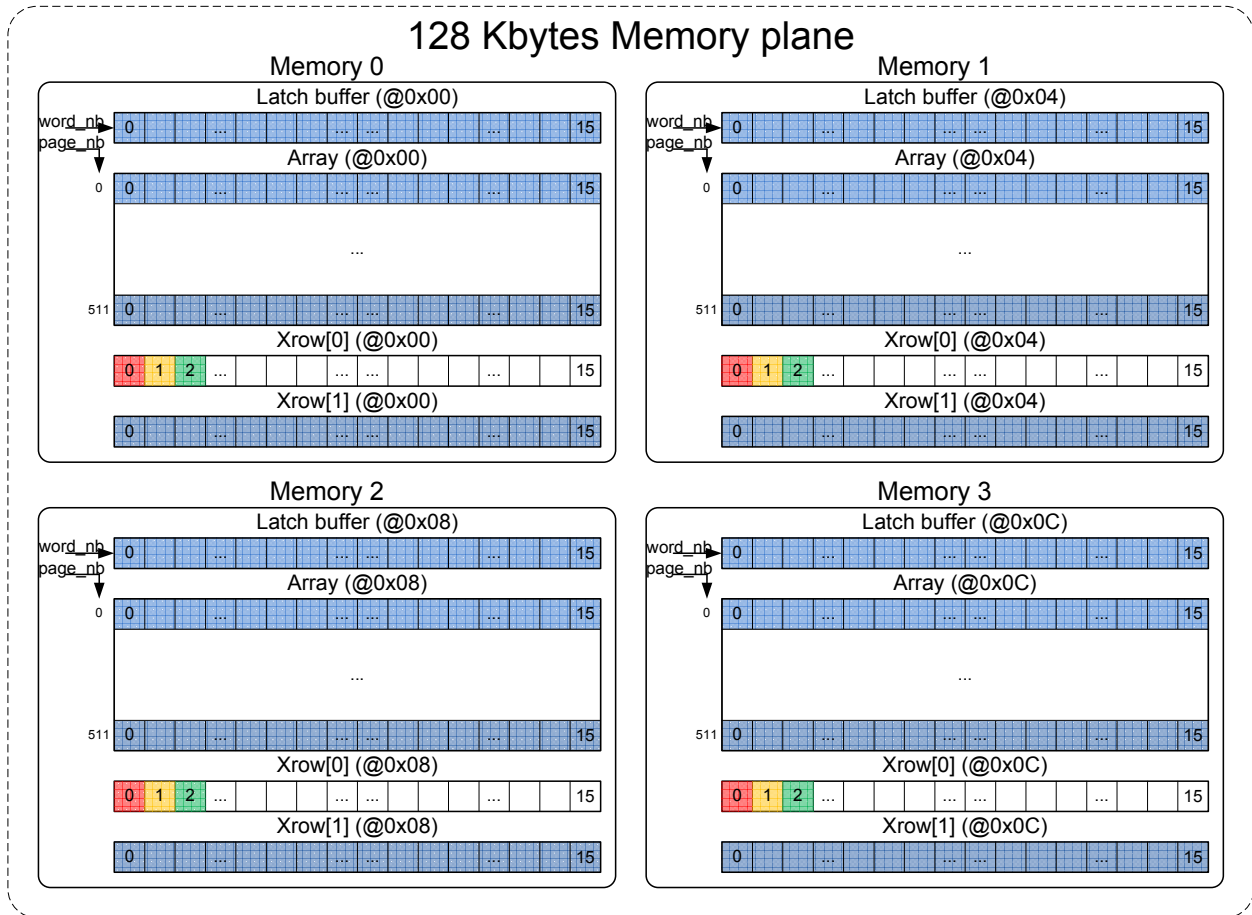


Figure 20-2. Flash Memory Plane Overview



- Calibration bits (32 bits \* 4) – each memory has its own calibration bits, thus 128 calibration bits are managed from memory plane's point of view
- General Purpose bits (32 bits \* 4) – each memory has 32 bits dedicated for general purpose (useful for storing chip configuration)
- Lock bits (32 bits) – each memory as 32 lock bits to lock the 32 first pages, but all memories are seen as a single memory from end-user point of view, thus the 32 lock bits are managed in the same way at a time for all memories, thus, only 32 effective lock bits are seen.
- User Data (48 bits) – each data (from array or Xrow[1]) are 48 bits wide in each memory, HEFC manages these 48 bits to protect 32-bits of data with 13-bits of ECC (BCH + Parity). This means that each data could be corrected on-the-fly if one or two errors are detected.

Figure 20-3. Flash Memory Plane Areas

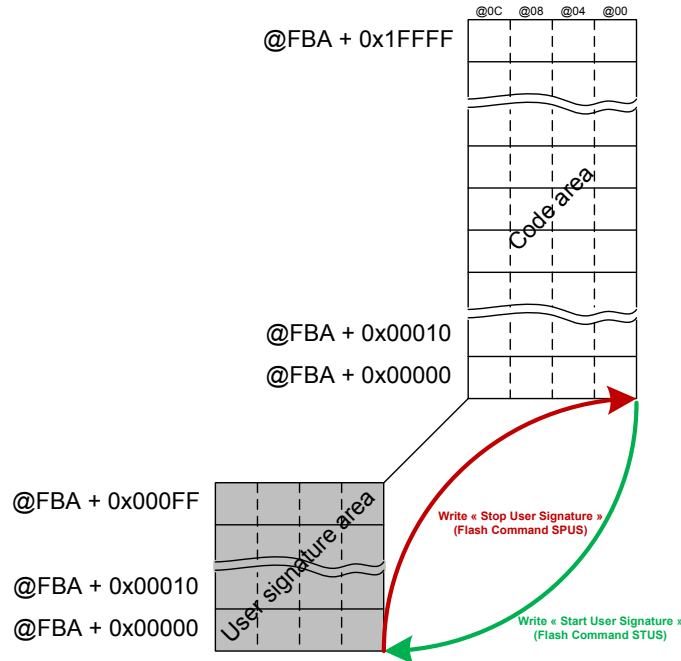
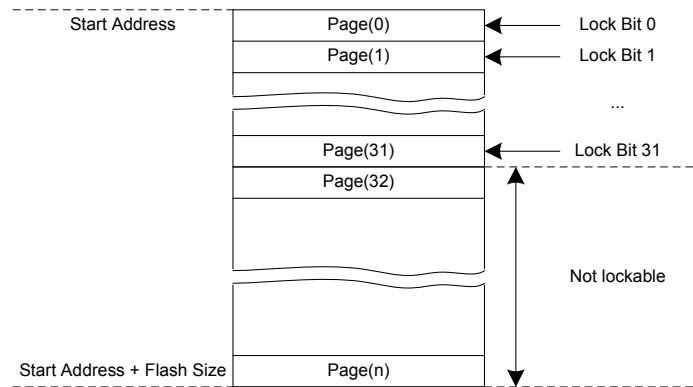


Figure 20-4. Flash Memory Plane Lockable Region



### 20.4.3 Read Operations

An optimized controller manages embedded Flash reads, thus increasing performance when the processor is running in Thumb2 mode by means of the 128-bit-wide memory interface.

The Flash memory is accessible through 8-, 16- and 32-bit reads.

As the Flash block size is smaller than the address space reserved for the internal memory area, the embedded Flash wraps around the address space and appears to be repeated within it.

### 20.4.4 Flash Commands

#### 20.4.4.1 Introduction

The HEFC offers a set of commands to manage programming of Flash memory plane, locking and unlocking lockable regions, consecutive programming, full Flash erasing, etc.

The commands are listed in the following table:

Command	Value	Mnemonic
Get Flash descriptor	0x00	GETD
Write page	0x01	WP
Write page and lock	0x02	WPL
Erase all	0x05	EA
Erase page	0x06	EP
Erase pages	0x07	EPA
Set lock bit	0x08	SLB
Clear lock bit	0x09	CLB
Get lock bit	0x0A	GLB
Set GPNVM bit	0x0B	SGPB
Clear GPNVM bit	0x0C	CGPB
Get GPNVM bit	0x0D	GGPB
Get CALIB bit	0x10	GALB
Write user signature	0x12	WUS
Erase user signature	0x13	EUS
Start read user signature	0x14	STUS
Stop read user signature	0x15	SPUS

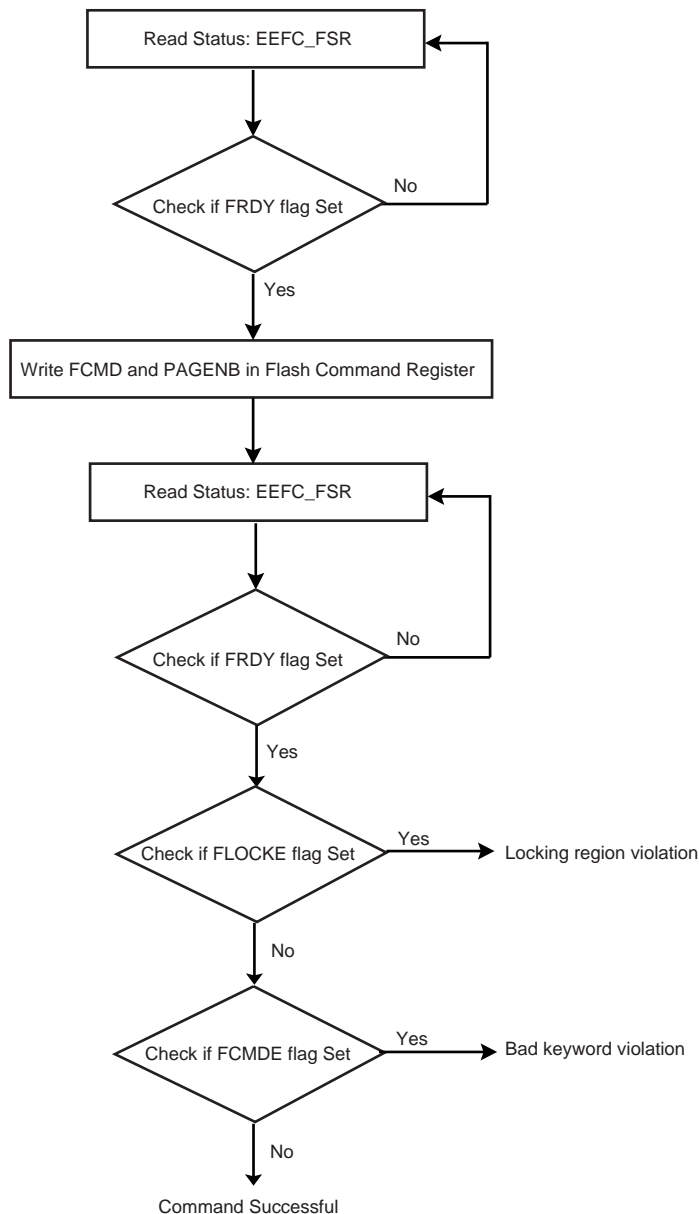
In order to execute one of these commands, select the required command using the FCMD field in the Flash Command register (HEFC\_FCR). As soon as HEFC\_FCR is written, the FRDY flag and the FVALUE field in the Flash Result register (HEFC\_FRR) are automatically cleared. Once the current command has completed, the FRDY flag is automatically set. If an interrupt has been enabled by setting the bit HEFC\_FMR.FRDY, the corresponding interrupt line of the interrupt controller is activated.

All the commands are protected by the same keyword, which must be written in the eight highest bits of HEFC\_FCR.

Writing HEFC\_FCR with data that does not contain the correct key and/or with an invalid command has no effect on the whole memory plane, but the FCMDE flag is set in the Flash Status register (HEFC\_FSR). This flag is automatically cleared by a read access to HEFC\_FSR.

When the current command writes or erases a page in a locked region, the command has no effect on the whole memory plane, but the FLOCKE flag is set in HEFC\_FSR. This flag is automatically cleared by a read access to HEFC\_FSR.

Figure 20-5. Command State Chart



#### 20.4.4.2 Get Flash Descriptor Commands

This command provides the system with information on the Flash organization. The system can take full advantage of this information. For instance, a device could be replaced by one with more Flash capacity, and so the software is able to adapt itself to the new configuration.

To get the embedded Flash descriptor, the application writes the GETD command in HEFC\_FCR. The first word of the descriptor can be read by the software application in HEFC\_FRR as soon as the FRDY flag in HEFC\_FSR rises. The next reads of HEFC\_FRR provide the following word of the descriptor. If extra read operations to HEFC\_FRR are done after the last word of the descriptor has been returned, the HEFC\_FRR value is 0 until the next valid command.

Table 20-1. Flash Descriptor Definition

Symbol	Word Index	Description
FL_ID	0	Flash interface description

.....continued		
Symbol	Word Index	Description
FL_SIZE	1	Flash size in bytes
FL_PAGE_SIZE	2	Page size in bytes
FL_NB_PLANE	3	Number of planes
FL_PLANE[0]	4	Number of bytes in the plane
FL_NB_LOCK	4 + FL_NB_PLANE	Number of lock bits. A bit is associated with a lock region. A lock bit is used to prevent write or erase operations in the lock region.
FL_LOCK[0]	4 + FL_NB_PLANE + 1	Number of bytes in the first lock region

### 20.4.4.3 Write Commands

DMA write accesses must be 32-bit aligned. If a single byte is to be written in a 32-bit word, the rest of the word must be written with ones.

Several commands are used to program the Flash:

- Write Page (WP): one page is entirely written
- Write Page then Lock (WPL): one page is entirely written, then locked

Only 0 values can be programmed using Flash technology; 1 is the erased value. In order to program words in a page, the page must first be erased. Commands are available to erase the full memory plane or a given number of pages. With the EWP command, a page erase is done automatically before a page programming.

After programming, the page (if it is one of the first 32) can be locked to prevent miscellaneous write or erase sequences. The lock bit can be automatically set after page programming using the WPL command.

Data to be programmed in the Flash must be written in an internal latch buffer before writing the programming command in HEFC\_FCR. Data can be written at their final destination address, as the latch buffer is mapped into the Flash memory address space and wraps around within this Flash address space.

Byte and half-word AHB accesses to the latch buffer are not allowed. Only 32-bit word accesses are supported.

32-bit words must be written continuously, in either ascending or descending order. Writing the latch buffer in a random order is not permitted. This prevents mapping a C-code structure to the latch buffer and accessing the data of the structure in any order. It is instead recommended to fill in a C-code structure in SRAM and copy it in the latch buffer in a continuous order.

The HEFC generates its own clock for Flash modules and ensures proper sequencing regarding clock ratio.

The latch buffer is automatically re-initialized, that is, written with logical 1, after execution of each programming command. The programming sequence is as follows:

1. Write the data to be programmed in the latch buffer.
2. Write the programming command in HEFC\_FCR. This automatically clears HEFC\_FSR.FRDY.
3. When Flash programming is completed, HEFC\_FSR.FRDY rises. If an interrupt has been enabled by setting HEFC\_FMR.FRDY, the interrupt line of the HEFC is activated.

The following two errors can be detected in HEFC\_FSR after a programming sequence:

- Command Error: A bad keyword has been written in HEFC\_FCR.
- Lock Error: The page to be programmed belongs to a locked region. A command must be run previously to unlock the corresponding region.

Only one page can be programmed at a time. It is only possible to program all the bits of a page (full page programming).

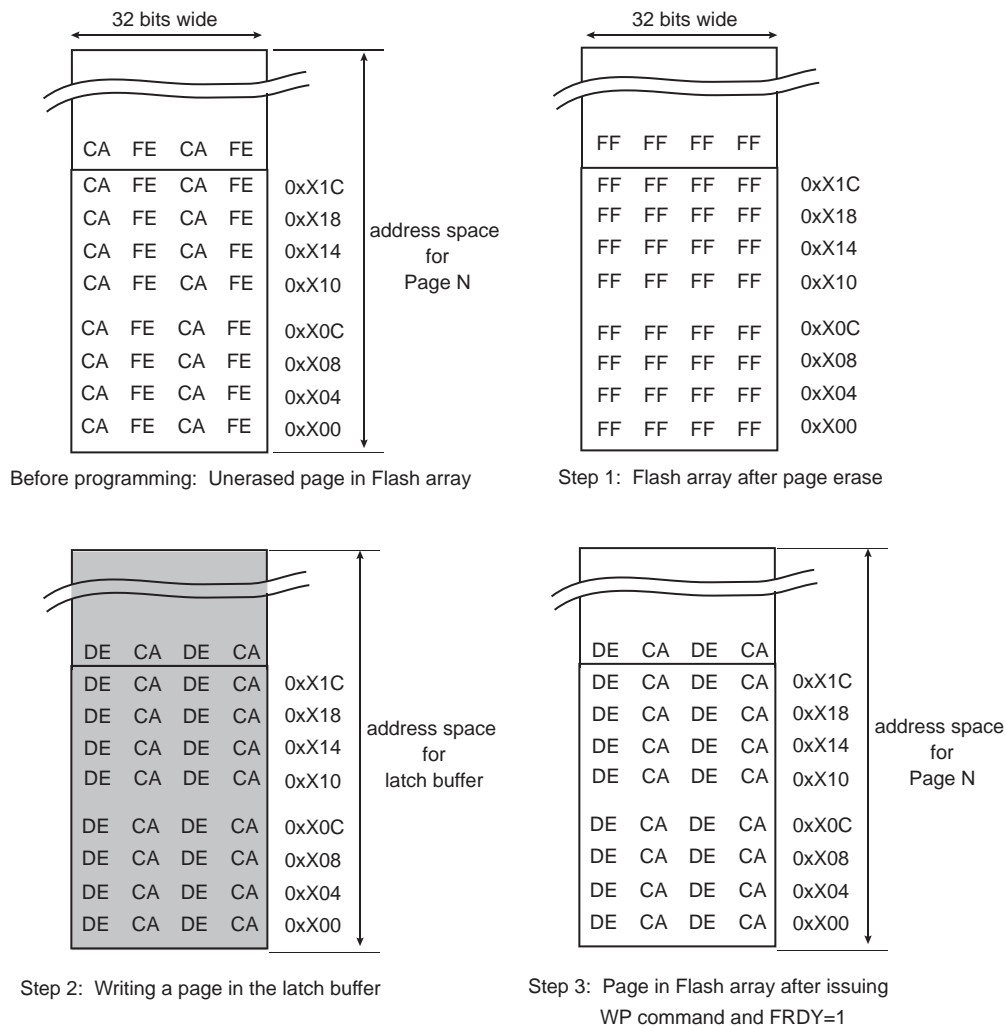
When a 'Write Page' (WP) command is issued, the HEFC starts the programming sequence and all the bits written at 0 in the latch buffer are cleared in the Flash memory array.

**Note:** During programming, that is, until HEFC\_FSR.FDRY rises, access to the Flash is not allowed.

#### 20.4.4.3.1 Full Page Programming

To program a full page, all the bits of the page must be erased before writing the latch buffer and issuing the WP command. The latch buffer must be written in ascending order, starting from the first address of the page.

**Figure 20-6.** Full Page Programming



#### 20.4.4.3.2 Data Write Access into Latch Buffer

All write accesses to the latch buffer must be performed in 32-bit mode. The latch buffer must be fully written contiguously from beginning to end, prior to issuing any write commands. If no data is required at a given address in the latch buffer, then it must be written with '1'.

Below are examples of writing one value to latch buffers:

- 8-bit data (0xA5) at address 0x0001 in latch buffer:
  - Latch buffer must be erased first (all '1')

- Latch buffer must be filled, with a 32-bit access at offset 0x0000, Data = 0xFFFFA5FF (bit not required for data must be filled with '1')
- 16-bit data (0xCAFE) at address 0x0002 in latch buffer:
  - Latch buffer must be erased first (all '1')
  - Latch buffer must be filled, with a 32-bit access at offset 0x0000, Data = 0xCAFEFFFF (bit not required for data must be filled with '1')
- 32-bit data (0xCAFEF00D) at address 0x0004 in latch buffer:
  - Latch buffer must be erased first (all '1')
  - Latch buffer must be filled, with a 32-bit access at offset 0x0004, Data = 0xCAFEF00D (all bits of the word are relevant)

Once all addresses of the latch buffer are loaded (with data or with '1'), a WP command must be launched with the page number argument to write it in Flash plane memories.

#### 20.4.4.4 Erase Commands

Erase commands are allowed only on unlocked regions. Depending on the Flash memory, several commands can be used to erase the Flash:

- Erase All Memory (EA): All memory is erased. The processor must not fetch code from the Flash memory.
- Erase Page (EP): 1 page is erased in the Flash memory plane. The page to be erased is specified by the FARG field of the HEFC\_FCR.
- Erase Pages (EPA): 4, 8, 16 or 32 pages are erased in the Flash memory plane. The first page to be erased is specified in the FARG[15:2] field of the HEFC\_FCR and must be a multiple of 4, 8, 16 or 32 depending on the number of pages to erase at the same time.

If the processor is fetching code from the Flash memory while the EPA command is being executed, the processor accesses are stalled until the EPA command is completed. To avoid stalling the processor, the code can be run out of internal SRAM.

The erase sequence is the following:

1. Erase starts as soon as one of the erase commands and the FARG field are written in HEFC\_FCR. For the EPA command, the two lowest bits of the FARG field define the number of pages to be erased (FARG[1:0]):

**Table 20-2.** HEFC\_FCR.FARG Field for EPA Command

FARG[1:0]	Number of pages to be erased with EPA command
0	4 pages
1	8 pages
2	16 pages
3	32 pages

2. When erasing is completed, the bit HEFC\_FSR.FRDY rises. If an interrupt has been enabled by setting the bit HEFC\_FMR.FRDY, the interrupt line of the interrupt controller is activated.

Two errors can be detected in HEFC\_FSR after an erasing sequence:

- Command Error: A bad keyword has been written in HEFC\_FCR.
- Lock Error: At least one page to be erased belongs to a locked region. The erase command has been refused, no page has been erased. A command must be run previously to unlock the corresponding region.



### 20.4.4.5 Lock Bit Protection

Each Lock bit is associated with one page in the embedded Flash memory plane. Only the 32 first pages are lockable by using the 32 available lock bits. Thus, one lock region is defined as one lock page in the embedded Flash memory plane. These regions prevent writing/erasing protected pages.

The following are lock bit commands:

- Set Lock Bit (SLB) – to lock a page
- Clear Lock Bit (CLB) – to unlock a page
- Get Lock Bit (CLB) – to get the status of a page

The following are lock sequence:

1. Execute the 'Set Lock Bit' command by writing HEFC\_FCR.FCMD with the SLB command and HEFC\_FCR.FARG with a page number to be protected.
2. When the locking completes, the bit HEFC\_FSR.FRDY rises. If an interrupt has been enabled by setting HEFC\_FMR.FRDY, the interrupt line of the interrupt controller is activated.
3. The result of the SLB command can be checked by running a 'Get Lock Bit' (GLB) command.

**Note:** The value of the FARG argument passed together with the SLB command must not exceed the higher lock bit index available in the product.

The following error may be detected in HEFC\_FSR after a programming sequence:

- Command Error: A bad keyword has been written in HEFC\_FCR.

It is possible to clear lock bits previously set. After the lock bits are cleared, the locked region can be erased or programmed. The unlock sequence is the following:

1. Execute the 'Clear Lock Bit' command by writing HEFC\_FCR.FCMD with the CLB command and HEFC\_FCR.FARG with a page number to be unprotected.
2. When the unlock operation completes, the bit HEFC\_FSR.FRDY rises. If an interrupt has been enabled by setting HEFC\_FMR.FRDY, the interrupt line of the interrupt controller is activated.

**Note:** The value of the FARG argument passed together with the CLB command must not exceed the higher lock bit index available in the product.

The following error may be detected in HEFC\_FSR after a programming sequence:

- Command Error: A bad keyword has been written in HEFC\_FCR.

The status of lock bits can be returned by the HEFC. The 'Get Lock Bit' sequence is the following:

1. Execute the 'Get Lock Bit' command by writing HEFC\_FCR.FCMD with the GLB command. HEFC\_FCR.FARG is meaningless.
2. Lock bits can be read by the software application in HEFC\_FRR. The word read corresponds to the 32 lock bits. Extra reads to HEFC\_FRR return 0.

For example, if the third bit of the first word read in HEFC\_FRR is set, the third lock region is locked.

The following error may be detected in HEFC\_FSR after a programming sequence:

- Command Error: A bad keyword has been written in HEFC\_FCR.

**Note:** Once locked, pages are no longer accessible even in read (0xFFFFFFFF is read) .

### 20.4.4.6 GPNVM Bits

GPNVM bits do not interfere with the embedded Flash memory plane.

The GPNVM bits commands are the following one:

- Set GPNVM Bit (SGPB) – used to set a GPNVM bit

- Clear GPNVM Bit (CGPB) – used to clear a GPNVM bit
- Get GPNVM Bit (GGPB) – used to get the status of a GPNVM bit

The 'Set GPNVM Bit' sequence is the following:

1. Execute the 'Set GPNVM Bit' command by writing HEFC\_FCR.FCMD with the SGPB command and HEFC\_FCR.FARG with the number of GPNVM bits to be set.
2. When the GPNVM bit is set, the bit HEFC\_FSR.FRDY rises. If an interrupt was enabled by setting the bit HEFC\_FMR.FRDY, the interrupt line of the interrupt controller is activated.
3. The result of the SGPB command can be checked by running a 'Get GPNVM Bit' (GGPB) command.

**Note:** The value of the FARG argument passed together with the SGPB command must not exceed the higher GPNVM index available in the product. Flash data content is not altered if FARG exceeds the limit. Command Error is detected only if FARG is greater than 128.

The following error may be detected in HEFC\_FSR after a programming sequence:

- Command Error: A bad keyword has been written in HEFC\_FCR.

It is possible to clear GPNVM bits previously set. The 'Clear GPNVM Bit' sequence is the following:

1. Execute the 'Clear GPNVM Bit' command by writing HEFC\_FCR.FCMD with the CGPB command and HEFC\_FCR.FARG with the number of GPNVM bits to be cleared.
2. When the clear completes, the bit HEFC\_FSR.FRDY rises. If an interrupt has been enabled by setting the bit HEFC\_FMR.FRDY, the interrupt line of the interrupt controller is activated.

**Note:** The value of the FARG argument passed together with the CGPB command must not exceed the higher GPNVM index available in the product. Flash data content is not altered if FARG exceeds the limit. Command Error is detected only if FARG is greater than 128.

The following error may be detected in HEFC\_FSR after a programming sequence:

- Command Error: A bad keyword has been written in HEFC\_FCR.

The status of GPNVM bits can be returned by the HEFC. The sequence is the following:

1. Execute the 'Get GPNVM Bit' command by writing HEFC\_FCR.FCMD with the GGPB command. Field HEFC\_FCR.FARG is meaningless.
2. GPNVM bits can be read by the software application in HEFC\_FRR. The first word read corresponds to the 32 first GPNVM bits; the reads that follow provide the next 32 GPNVM bits as long as it is meaningful. Extra reads to HEFC\_FRR return 0.

For example, if the third bit of the first word read in HEFC\_FRR is set, the third GPNVM bit is active.

The following error may be detected in HEFC\_FSR after a programming sequence:

- Command Error: A bad keyword has been written in HEFC\_FCR.

**Note:** Access to the Flash in read is permitted when a 'Set GPNVM Bit', 'Clear GPNVM Bit' or 'Get GPNVM Bit' command is executed.

#### 20.4.4.7 User Signature Area

Each product contains a user signature area of 256 bytes of data (and 128 bytes of ECC). It can be used for storage. See the [Figure 20-3](#).

Write, Erase and Read the user signature area is allowed using the following commands:

- Write User Signature (WUS)
- Erase User Signature (EUS)
- Start Read User Signature (STUS)

- Stop Read User Signature (SPUS)

The sequence to write the user signature area is the following:

- Fill the write latch buffer, within the internal memory area address space.
- Execute the 'Write User Signature' command by writing HEFC\_FCR.FCMD with the WUS command. Field HEFC\_FCR.FARG is meaningless.
- When programming is completed, HEFC\_FSR.FRDY rises. If an interrupt has been enabled by setting HEFC\_FMR.FRDY, the corresponding interrupt line of the interrupt controller is activated.

The following error may be detected in HEFC\_FSR after this sequence:

- Command Error: A bad keyword has been written in HEFC\_FCR.

The sequence to erase the user signature area is the following:

1. Execute the 'Erase User Signature' command by writing HEFC\_FCR.FCMD with the EUS command. Field HEFC\_FCR.FARG is meaningless.
2. When programming is completed, HEFC\_FSR.FRDY rises. If an interrupt has been enabled by setting HEFC\_FMR.FRDY, the corresponding interrupt line of the interrupt controller is activated.

The following error may be detected in HEFC\_FSR after this sequence:

- Command Error: A bad keyword has been written in HEFC\_FCR.

The sequence to read the user signature area is the following:

1. Execute the 'Start Read User Signature' command by writing HEFC\_FCR.FCMD with the STUS command. Field HEFC\_FCR.FARG is meaningless.
2. Wait until HEFC\_FSR.FRDY falls to read the user signature area. The user signature area is located in the first 256 bytes of the Flash memory mapping. The 'Start Read User Signature' command reuses some addresses of the memory plane but the user signature area is physically different from the memory plane.
3. To stop reading the user signature area, execute the 'Stop Read User Signature' command by writing HEFC\_FCR.FCMD with the SPUS command. Field HEFC\_FCR.FARG is meaningless.
4. When the SPUS command has been executed, HEFC\_FSR.FRDY rises. If an interrupt was enabled by setting HEFC\_FMR.FRDY, the interrupt line of the interrupt controller is activated.

Note that during the sequence, the software cannot be fetched from the Flash memory plane.

The following error may be detected in HEFC\_FSR after this sequence:

- Command Error: A bad keyword has been written in HEFC\_FCR.

## 20.4.5 Flash Power Management

The embedded Flash plane of 128 Kbytes is made of 4 Flash submodules of 32 Kbytes. The HEFC embeds a full power management mechanism that is partially configurable by the end user.

### 20.4.5.1 Initial Power-Up or Global Reset

To minimize the contribution of the power-up of Flash modules on the inrush current at initial power-up, the sequence described below is automatically applied:

Figure 20-7. Flash Modules Power-Up Sequence – [System]

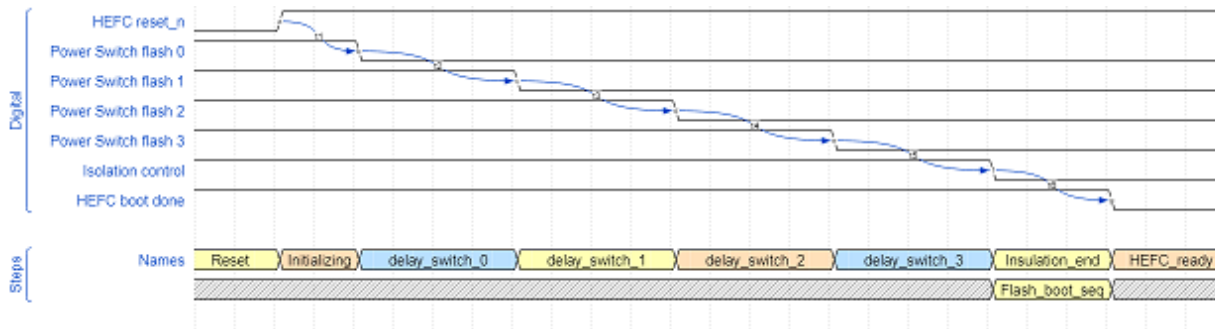


Table 20-3. Sequence Times (Flash Module Power-up Sequence Only)

Time	Duration	Description
t1	Some system clock periods	Once the HEFC global reset is released, logic starts to operate. After some initialization steps, the power switches sequence is launched.
t2	> 750 μs	Power switch 0 startup time.
t3	> 750 μs	Power switch 1 startup time.
t4	> 750 μs	Power switch 2 startup time.
t5	> 750 μs	Power switch 3 startup time.
t6	> 2100 μs	Once all Flash modules are started, the HEFC releases Flash signal insulation. A specific boot-up sequence is then applied on the Flash modules. At the end of this sequence, the HEFC and its Flash modules are ready to use.

**Note:** By default, the delay applied for power switch start-up phase is around 750 μs. The HEFC ensures this delay to be > 750 μs.

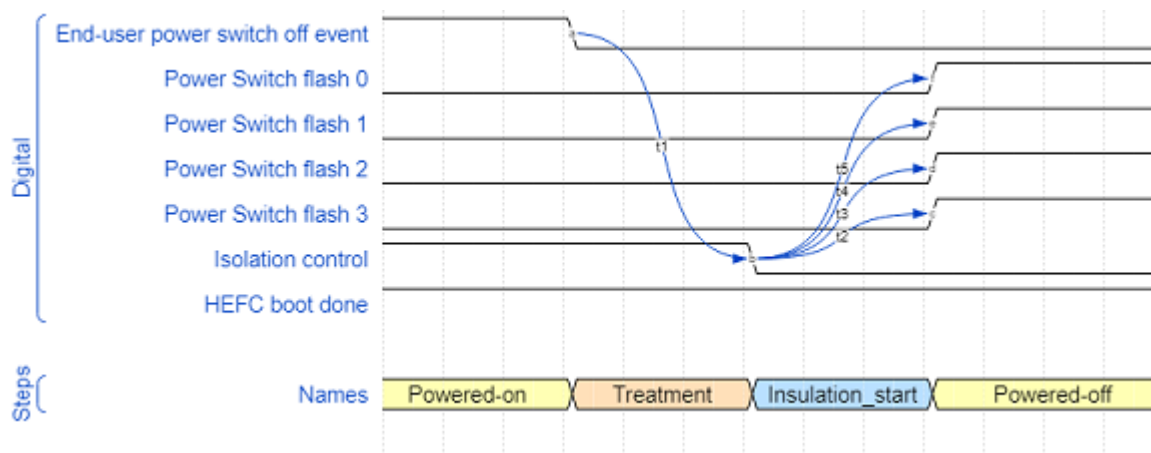
### 20.4.5.2 End User Power-Down

During the application run phase, the HEFC offers the possibility to the end user to power switched-off Flash modules when not used by clearing HEFC\_FPMR.PWS\_EN. Powering down Flash modules ensures a better data reliability in the context of space applications, as powered-down Flash modules are more immune to radiation effects.

Prior to being switched off and in order to not have any impact on the running system, Flash modules are insulated.

The timing diagram below shows the sequence applied on power-off request event.

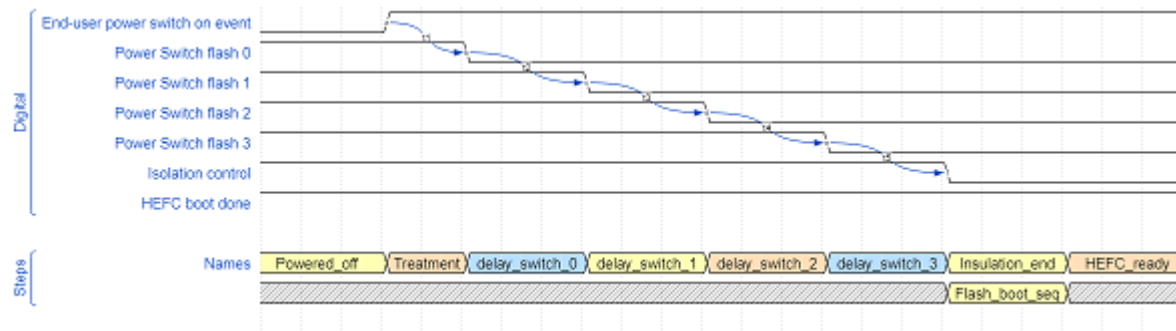
Figure 20-8. Flash Modules Power-Down Sequence – [End user]



### 20.4.5.3 End User Power-Up

Prior to powering up the Flash modules, the end user can configure the power switch delay applicable for each one. (See HEFC\_FPMR.PWS\_DLY for available values). Depending on this value, the end user must also properly set the value of HEFC\_FPMR.VAR\_FACTOR to handle the time required to set up the system clock. The end user power-up sequence is activated by setting HEFC\_FPMR.PWS\_EN.

**Figure 20-9.** Flash Modules Power-Up Sequence – [End user]



## 20.4.6 HECC Management

### 20.4.6.1 Overview

The Hardened Error Code Correction (HECC) is a module embedded to protect data against radiation effects. It is embedded next to the Hardened Flash Controller (HEFC).

### 20.4.6.2 Features

- BCH Code + Extra Parity Code Embedded
  - To correct up to 2 errors
  - To detect up to 3 errors
- Interrupt Capabilities
  - 1 interrupt for unfixable error
  - 1 interrupt for fixable error
- Error Counter Available and for Statistics Reporting
  - 1 counter dedicated to fixable errors,
  - 1 counter dedicated to unfixable errors.
- Embedded HECC Testing Mode

### 20.4.6.3 Product Dependencies

#### 20.4.6.3.1 Clocks Management

The Hardened Error Checker / Corrector (HECC) channels' encoders / decoders are fully asynchronous. Interface, control and status modules are system clock dependent. The HECC clock is provided by PMC module. Therefore, it shall be programmed first.

#### 20.4.6.3.2 Interrupt Sources

The Hardened Error Checker / Corrector (HECC) handles fixable and unfixable errors. These two kinds of errors can generate their own interrupt. Using the HECC interrupt requires the interrupt controller to be programmed first.

### 20.4.6.4 Functional Description

#### 20.4.6.4.1 Functional Block

The HECC block is made of:

- 1 encoder/decoder BCH + an extra parity bit
- An APB end user interface for configuration:
  - to enable/disable the HECC protection
  - to activate/deactivate the HECC test mode (independently in read or write mode),
  - to reset the HECC fixable and unfixable counters,
- An APB end user interface for errors status and reporting:
  - Indicate whether fixable error(s) has been detected and corrected on-the-fly, and quantifies them,
  - To indicate whether unfixable error(s) has been detected and quantifies them,
  - The indication can be done either by interruption or by polling,
  - To indicate the address and the status (type, size and origin) of the last HECC error detected.
- 4 channels to access the 4 Flash memories, which constitute the whole plane. (Only the channel 0 is relevant to set parameters, others channels (1 to 3) use the same parameters as channel 0).

#### 20.4.6.4.2 Operation

When enabled (HEFC\_HECC\_CRX.ENABLE='1' and HEFC\_HECC\_CRX.ECC12\_ENABLE='1'), the HECC operates on every access to the memories.

Nevertheless, the HECC detection and correction is performed only on read/fetch accesses, by comparing the HECC checksum stored in memory to the one locally computed from data read.

#### 20.4.6.4.3 BCH Code + Extra Parity Bit

The BCH code used is BCH(45,32,2) code. For each 32-bit word, a 13-bit (12bit of checksum + 1 extra parity bit ) is generated. With this correcting code, up to 2-bit error can be corrected (named fixable error later on). Up to 3-bit errors can be detected (named unfixable error later on).

#### 20.4.6.4.4 Write Access

When the processor performs a write access to an HECC protected memory, it also writes the 13-bit checksum on the HECC protected memory. Other bits are driven low unless HECC testing is enabled.

#### 20.4.6.4.5 Read Access

When the processor performs a read access to an HECC protected memory, it reads data and its associated checksum. The checksum read from HECC protected memory is compared against the checksum generated by the HECC from the same read data. Any discrepancy yields an error and a syndrome is computed to further qualify the error as fixable error or unfixable error.

#### 20.4.6.4.6 Fixable Error

The correction is performed on-the-fly inside the processor during the current access and no timing penalty is incurred.

The fixable error event is reported in the Fail Address register (HEFC\_HECC\_FAILAR) and in the Fail Status register (HEFC\_HECC\_SR). If previously enabled, a fixable interrupt (HEFC\_HECC\_ISR.FIX) is generated.

The fixable error remains in memory until a software-initiated rewrite is performed at the faulty memory location.



In the interrupt handler, reading the status will clear the interrupt. If a read to the fail address is performed in the handler after the status has been read, this will generate a new unexpected interrupt as the error has not been corrected yet.

To permit later statistical study, a fixable error counter is available. It is incremented each time a fixable error is detected and until a counter overflow is detected.

It is possible for the end-user to reset the fixable counter when it is needed.

#### 20.4.6.4.7 Unfixable Error

The unfixable error event is reported in the Fail Address register (HEFC\_HECC\_FAILAR) and in the Fail Status register (HEFC\_HECC\_SR). If previously enabled, an unfixable interrupt (HEFC\_HECC\_ISR.NOFIX) is generated.

To permit later statistical study, an unfixable error counter is available. It is incremented each time an unfixable error is detected and until a counter overflow is detected.

It is possible for the end-user to reset the unfixable counter when it is needed.

**Note:** If more than three errors are detected, the BCH decoder with its extra parity bit cannot handle them properly (either fixable or unfixable error will be unpredictively raised).

#### 20.4.6.4.8 Status Report

On error occurrences, following elements are stored in coordination with either **HEFC\_HECC\_SR.MEM\_FIX** or **HEFC\_HECC\_SR.MEM\_NOFIX** flags:

- **HEFC\_HECC\_FAILAR** stores the failed address,
- **HEFC\_HECC\_SR.MEM\_ID** stores the bank identification,
- **HEFC\_HECC\_SR.TYPE** stores the access type,
- **HEFC\_HECC\_SR.HES** store the access size.

While not read, **HEFC\_HECC\_SR** locks error flags and previous listed elements. Prior to reading **HEFC\_HECC\_SR**, it is required to read **HEFC\_HECC\_FAILAR** to get the failed address.

Reading the **HEFC\_HECC\_SR** results in clearing pending flags. **HEFC\_HECC\_SR** as well as previously listed elements' contents become irrelevant.

#### 20.4.6.4.9 HECC Testing

Operation of the HECC can be bypassed for testing purpose and is controlled in an HECC Configuration register (HEFC\_HECC\_SR).

#### 20.4.6.4.10 Write Test

When HECC write bypass is enabled (HEFC\_HECC\_CR.TEST\_MODE\_WR=1), the test checksum (HEFC\_HECC\_TESTCBx.TCB) replaces the HECC generated checksum during a data store.

#### 20.4.6.4.11 Read Test

When HECC read diagnostic is enabled (HEFC\_HECC\_CR.TEST\_MODE\_RD = 1), the test checksum (HEFC\_HECC\_TESTCBx.TCB) are updated with the read checksum during a data load or an instruction fetch.

**Note:** Parity is taken into account for error detection but only a 12-bit checksum is reported in HEFC\_HECC\_TESTCBx.TCB field.

### 20.4.7 Register Write Protection

To prevent any single software error from corrupting HEFC behavior, certain registers in the address space can be write-protected by setting the WPEN bit in the (HEFC\_WPMR).

The following registers can be write-protected:

- HEFC Flash Mode Register
- HEFC Flash Power Management Register

## 20.5 Register Summary

Offset	Name	Bit Pos.	7	6	5	4	3	2	1	0	
0x00	HEFC_FMR	7:0							FPSI	FRDY	
		15:8									
		23:16									ONE
		31:24									
0x04	HEFC_FCR	7:0				FCMD[7:0]					
		15:8				FARG[7:0]					
		23:16				FARG[15:8]					
		31:24				FKEY[7:0]					
0x08	HEFC_FSR	7:0				WREER		FLOCKE	FCMDE	FRDY	
		15:8									
		23:16									
		31:24									
0x0C	HEFC_FRR	7:0				FVALUE[7:0]					
		15:8				FVALUE[15:8]					
		23:16				FVALUE[23:16]					
		31:24				FVALUE[31:24]					
0x10 ... 0x3F	Reserved										
0x40	HEFC_FPMR	7:0					PWS_DLY[1:0]		PWS_STAT	PWS_EN	
		15:8				VAR_FACTOR[5:0]					
		23:16								FUNC_ISOL_C TRL_N	
		31:24									
0x44 ... 0xE3	Reserved										
0xE4	HEFC_WPMR	7:0				USER	ERASEWP	LOCKWP	GPNVMWP	WPEN	
		15:8				WPKEY[7:0]					
		23:16				WPKEY[15:8]					
		31:24				WPKEY[23:16]					
0xE8 ... 0xFF	Reserved										
0x0100	HEFC_HECC_CR0	7:0		ECC12_ENABL E	RST_NOFIX_C PT	RST_FIX_CPT		TEST_MODE_ WR	TEST_MODE_ RD	ENABLE	
		15:8									
		23:16									
		31:24									
0x0104	HEFC_HECC_CR1	7:0		ECC12_ENABL E	RST_NOFIX_C PT	RST_FIX_CPT		TEST_MODE_ WR	TEST_MODE_ RD	ENABLE	
		15:8									
		23:16									
		31:24									
0x0108	HEFC_HECC_CR2	7:0		ECC12_ENABL E	RST_NOFIX_C PT	RST_FIX_CPT		TEST_MODE_ WR	TEST_MODE_ RD	ENABLE	
		15:8									
		23:16									
		31:24									
0x010C	HEFC_HECC_CR3	7:0		ECC12_ENABL E	RST_NOFIX_C PT	RST_FIX_CPT		TEST_MODE_ WR	TEST_MODE_ RD	ENABLE	
		15:8									
		23:16									
		31:24									
0x0110 ... 0x013F	Reserved										



.....continued

Offset	Name	Bit Pos.	7	6	5	4	3	2	1	0	
0x0140	HEFC_HECC_TESTC B0	7:0	TCB[7:0]								
		15:8	TCB[15:8]								
		23:16									
		31:24									
0x0144	HEFC_HECC_TESTC B1	7:0	TCB[7:0]								
		15:8	TCB[15:8]								
		23:16									
		31:24									
0x0148	HEFC_HECC_TESTC B2	7:0	TCB[7:0]								
		15:8	TCB[15:8]								
		23:16									
		31:24									
0x014C	HEFC_HECC_TESTC B3	7:0	TCB[7:0]								
		15:8	TCB[15:8]								
		23:16									
		31:24									
0x0150 ... 0x017F	Reserved										
0x0180	HEFC_HECC_SR	7:0	OVER_FIX	CPT_FIX[4:0]							MEM_FIX
		15:8	OVER_NOFIX	CPT_NOFIX[4:0]							MEM_NOFIX
		23:16									
		31:24			MEM_ID[1:0]		TYPE	HES[2:0]			
0x0184	HEFC_HECC_IER	7:0							MEM_NOFIX	MEM_FIX	
		15:8									
		23:16									
		31:24									
0x0188	HEFC_HECC_IDR	7:0							MEM_NOFIX	MEM_FIX	
		15:8									
		23:16									
		31:24									
0x018C	HEFC_HECC_IMR	7:0							MEM_NOFIX	MEM_FIX	
		15:8									
		23:16									
		31:24									
0x0190	HEFC_HECC_FAILAR	7:0	ADDRESS[7:0]								
		15:8	ADDRESS[15:8]								
		23:16	ADDRESS[23:16]								
		31:24	ADDRESS[31:24]								
0x0194	HEFC_HECC_FAILDR	7:0	DATA[7:0]								
		15:8	DATA[15:8]								
		23:16	DATA[23:16]								
		31:24	DATA[31:24]								

## 20.5.1 HEFC Flash Mode Register

**Name:** HEFC\_FMR  
**Offset:** 0x00  
**Reset:** 0x00010400  
**Property:** Read/Write

This register can only be written if the WPEN bit is cleared in the “HEFC Write Protection Mode Register”.

Bit	31	30	29	28	27	26	25	24
Access								
Reset								
Bit	23	22	21	20	19	18	17	16
Access								ONE
Reset								R/W 1
Bit	15	14	13	12	11	10	9	8
Access								
Reset								
Bit	7	6	5	4	3	2	1	0
Access							FPSI	FRDY
Reset							R/W 0	R/W 0

**Bit 16 – ONE** Must be written to 1

**Bit 1 – FPSI** Flash Power Status Interrupt Enable

Value	Description
0	Flash Power Status Enable does not generate an interrupt.
1	Flash Power Status Enable generates an interrupt.

**Bit 0 – FRDY** Flash Ready Interrupt Enable

Value	Description
0	Flash ready does not generate an interrupt.
1	Flash ready (to accept a new command) generates an interrupt.

## 20.5.2 HEFC Flash Command Register

**Name:** HEFC\_FCR  
**Offset:** 0x04  
**Reset:** -  
**Property:** Write-only

Bit	31	30	29	28	27	26	25	24
	FKEY[7:0]							
Access	W	W	W	W	W	W	W	W
Reset	-	-	-	-	-	-	-	-
Bit	23	22	21	20	19	18	17	16
	FARG[15:8]							
Access	W	W	W	W	W	W	W	W
Reset	-	-	-	-	-	-	-	-
Bit	15	14	13	12	11	10	9	8
	FARG[7:0]							
Access	W	W	W	W	W	W	W	W
Reset	-	-	-	-	-	-	-	-
Bit	7	6	5	4	3	2	1	0
	FCMD[7:0]							
Access	W	W	W	W	W	W	W	W
Reset	-	-	-	-	-	-	-	-

### Bits 31:24 – FKEY[7:0] Flash Write Protection Key

Value	Name	Description
0x5A	PASSWD	The 0x5A value enables the command defined by the bits of the register. If the field is written with a different value, the write is not performed and no action is started.

### Bits 23:8 – FARG[15:0] Flash Command Argument

GETD, GLB, GGPB, GCALB, WUS, EUS, STUS, SPUS, EA	Commands requiring no argument, including Erase all command	FARG is meaningless, must be written with 0
EPA	Erase pages command	FARG[1:0] defines the number of pages to be erased The start page must be written in FARG[15:2]. FARG[1:0] = 0: Four pages to be erased. FARG[15:2] = Page_Number / 4 FARG[1:0] = 1: Eight pages to be erased. FARG[15:3] = Page_Number / 8, FARG[2]=0 FARG[1:0] = 2: Sixteen pages to be erased. FARG[15:4] = Page_Number / 16, FARG[3:2]=0 FARG[1:0] = 3: Thirty-two pages to be erased. FARG[15:5] = Page_Number / 32, FARG[4:2]=0 Refer to the table “HEFC_FCR.FARG Field for EPA Command”.
WP, WPL, EP	Programming commands	FARG must be written with the page number to be programmed
SLB, CLB	Lock bit commands	FARG defines the page number to be locked or unlocked
SGPB, CGPB	GPNVM commands	FARG defines the GPNVM number to be programmed

### Bits 7:0 – FCMD[7:0] Flash Command

Value	Name	Description
0x00	GETD	Get Flash descriptor
0x01	WP	Write page
0x02	WPL	Write page and lock
0x05	EA	Erase all
0x06	EP	Erase page
0x07	EPA	Erase pages
0x08	SLB	Set lock bit
0x09	CLB	Clear lock bit
0x0A	GLB	Get lock bit
0x0B	SGPB	Set GPNVM bit
0x0C	CGPB	Clear GPNVM bit
0x0D	GGPB	Get GPNVM bit
0x10	GALB	Get CALIB bit
0x12	WUS	Write user signature
0x13	EUS	Erase user signature
0x14	STUS	Start read user signature
0x15	SPUS	Stop read user signature

### 20.5.3 HEFC Flash Status Register

**Name:** HEFC\_FSR  
**Offset:** 0x08  
**Reset:** 0x00000001  
**Property:** Read-only

Bit	31	30	29	28	27	26	25	24
Access								
Reset								
Bit	23	22	21	20	19	18	17	16
Access								
Reset								
Bit	15	14	13	12	11	10	9	8
Access								
Reset								
Bit	7	6	5	4	3	2	1	0
Access				R		R	R	R
Reset				0		0	0	1

#### Bit 4 - WREER Write Register Error Status (cleared on read)

This flag is automatically cleared when HEFC\_FSR is read or HEFC\_FCR is written.

Value	Description
0	No register writing error has happened since the last read of HEFC_FSR.
1	Register writing error has happened since the last read of HEFC_FSR.

#### Bit 2 - FLOCKE Flash Lock Error Status (cleared on read)

This flag is automatically cleared when HEFC\_FSR is read or HEFC\_FCR is written.

Value	Description
0	No programming/erase of at least one locked region has happened since the last read of HEFC_FSR.
1	Programming/erase of at least one locked region has happened since the last read of HEFC_FSR.

#### Bit 1 - FCMDE Flash Command Error Status (cleared on read or by writing HEFC\_FCR)

Value	Description
0	No invalid commands and no bad keywords were written in HEFC_FMR.
1	An invalid command and/or a bad keyword was/were written in HEFC_FMR.

#### Bit 0 - FRDY Flash Ready Status (cleared when Flash is busy)

When set, this flag triggers an interrupt if the FRDY flag is set in HEFC\_FMR.

This flag is automatically cleared when the HEFC is busy.

Value	Description
0	The HEFC is busy.
1	The HEFC is ready to start a new command.

## 20.5.4 HEFC Flash Result Register

**Name:** HEFC\_FRR  
**Offset:** 0x0C  
**Reset:** 0x00000000  
**Property:** Read/Write

Bit	31	30	29	28	27	26	25	24
	FVALUE[31:24]							
Access	R/W	R/W	R/W	R/W	R/W	R/W	R/W	R/W
Reset	0	0	0	0	0	0	0	0
Bit	23	22	21	20	19	18	17	16
	FVALUE[23:16]							
Access	R/W	R/W	R/W	R/W	R/W	R/W	R/W	R/W
Reset	0	0	0	0	0	0	0	0
Bit	15	14	13	12	11	10	9	8
	FVALUE[15:8]							
Access	R/W	R/W	R/W	R/W	R/W	R/W	R/W	R/W
Reset	0	0	0	0	0	0	0	0
Bit	7	6	5	4	3	2	1	0
	FVALUE[7:0]							
Access	R/W	R/W	R/W	R/W	R/W	R/W	R/W	R/W
Reset	0	0	0	0	0	0	0	0

### Bits 31:0 – FVALUE[31:0] Flash Result Value

The result of a Flash command is returned in this register. If the size of the result is greater than 32 bits, the next resulting value is accessible at the next register read.

## 20.5.5 HEFC Flash Power Management Register

**Name:** HEFC\_FPMR  
**Offset:** 0x40  
**Reset:** 0x0001320B  
**Property:** Read/Write

This register can only be written if the WPEN bit is cleared in the [HEFC Write Protection Mode Register](#).

Bit	31	30	29	28	27	26	25	24
Access								
Reset								
Bit	23	22	21	20	19	18	17	16
Access								FUNC_ISOL_C
Reset								TRL_N
Access								R/W
Reset								1
Bit	15	14	13	12	11	10	9	8
Access			VAR_FACTOR[5:0]					
Reset			R/W	R/W	R/W	R/W	R/W	R/W
Access			1	1	0	0	1	0
Reset			1	1	0	0	1	0
Bit	7	6	5	4	3	2	1	0
Access					PWS_DLY[1:0]		PWS_STAT	PWS_EN
Reset					R/W	R/W	R/W	R/W
Access					1	0	1	1
Reset					1	0	1	1

### Bit 16 – FUNC\_ISOL\_CTRL\_N Flash Insulation Control Status

Value	Description
0	Flash memory is insulated from the whole product.
1	Flash memory is connected to the whole product.

### Bits 13:8 – VAR\_FACTOR[5:0] Variation Factor

This field is a ratio to adapt the power switch delay versus the end user frequency.

The allowable range is 0 to 63.

$VAR\_FACTOR = 10 * (Freq\_MCK / Freq\_10MHz)$

As a consequence, the delay between the two power switches is  $t(freq\_MCK, VAR\_FACTOR)$

$= t(PWS\_DELAY(10\ MHz, 10) * VAR\_FACTOR / freq\_MCK)$ .

### Bits 3:2 – PWS\_DLY[1:0] Power Switch Delay

This field specifies the delay to apply between each power switch (reference conditions RC=10 MHz, VAR\_FACTOR=10).

Value	Name	Description
0	75US	Delay is set to 75 $\mu$ s (RC=10 MHz, VAR_FACTOR=10)
1	150US	Delay is set to 150 $\mu$ s (RC=10 MHz, VAR_FACTOR=10)
2	300US	Delay is set to 300 $\mu$ s (RC=10 MHz, VAR_FACTOR=10)
3	600US	Delay is set to 600 $\mu$ s (RC=10 MHz, VAR_FACTOR=10)

### Bit 1 – PWS\_STAT Power Switch Status

Value	Description
0	Power switch is off or power-up sequence is ongoing.

Value	Description
1	Power-up sequence is done.

**Bit 0 - PWS\_EN** Power Switch Enable

Value	Description
0	Power switch is off.
1	Power switch is on.



## 20.5.6 HEFC Write Protection Mode Register

**Name:** HEFC\_WPMR  
**Offset:** 0xE4  
**Reset:** 0x00000000  
**Property:** Read/Write

Bit	31	30	29	28	27	26	25	24
	WPKEY[23:16]							
Access	W	W	W	W	W	W	W	W
Reset	0	0	0	0	0	0	0	0
Bit	23	22	21	20	19	18	17	16
	WPKEY[15:8]							
Access	W	W	W	W	W	W	W	W
Reset	0	0	0	0	0	0	0	0
Bit	15	14	13	12	11	10	9	8
	WPKEY[7:0]							
Access	W	W	W	W	W	W	W	W
Reset	0	0	0	0	0	0	0	0
Bit	7	6	5	4	3	2	1	0
				USER	ERASEWP	LOCKWP	GPNVMWP	WPEN
Access				R/W	R/W	R/W	R/W	R/W
Reset				0	0	0	0	0

### Bits 31:8 – WPKEY[23:0] Write Protection Key

Value	Name	Description
0x454643	PASSWD	Writing any other value in this field aborts the write operation. Always reads as 0.

### Bit 4 – USER User Signature Write Protection

Value	Description
0	Write and Erase User signature commands selected by HEFC_FCR.FCMD are enabled.
1	Write and Erase User signature commands selected by HEFC_FCR.FCMD are disabled.

### Bit 3 – ERASEWP Page, Sector and Plane Write Protection

Value	Description
0	Write and Erase Page commands selected by HEFC_FCR.FCMD are enabled.
1	Write and Erase Page commands selected by HEFC_FCR.FCMD are disabled.

### Bit 2 – LOCKWP Lock Bit Write Protection

Value	Description
0	Set and Clear lock bit commands selected by HEFC_FCR.FCMD are enabled.
1	Set and Clear lock bit commands selected by HEFC_FCR.FCMD are disabled.

### Bit 1 – GPNVMWP GPNVM Bit Write Protection

Value	Description
0	Set and Clear GPNVM commands selected by HEFC_FCR.FCMD are enabled.
1	Set and Clear GPNVM commands selected by HEFC_FCR.FCMD are disabled.

### Bit 0 – WPEN Write Protection Enable

See 20.4.7. [Register Write Protection](#) for the list of registers that can be protected.

Value	Description
0	Disables the write protection if WPKEY corresponds to 0x454643 (EFC in ASCII).
1	Enables the write protection if WPKEY corresponds to 0x454643 (EFC in ASCII).

## 20.5.7 HECC Control Register 0

**Name:** HEFC\_HECC\_CR0  
**Offset:** 0x100  
**Reset:** 0x00000041  
**Property:** Read/Write

The configuration of HEFC\_HECC\_CR0 is duplicated in all HEFC\_HECC\_CRx.

Bit	31	30	29	28	27	26	25	24
Access								
Reset								
Bit	23	22	21	20	19	18	17	16
Access								
Reset								
Bit	15	14	13	12	11	10	9	8
Access								
Reset								
Bit	7	6	5	4	3	2	1	0
Access		ECC12_ENAB	RST_NOFIX_C	RST_FIX_CPT		TEST_MODE_	TEST_MODE_	ENABLE
Reset		LE	PT			WR	RD	
Access		R/W	R/W	R/W		R/W	R/W	R/W
Reset		1	0	0		0	0	1

### Bit 6 - ECC12\_ENABLE BCH ECC Enable

Value	Description
0	Reserved
1	If register Bit0 ENABLE is also '1' then BCH 12-bit ECC is selected.

### Bit 5 - RST\_NOFIX\_CPT Reset the Unfixable Error Counter

Value	Description
0	No effect.
1	Resets the ECC unfixable error counter.

### Bit 4 - RST\_FIX\_CPT Reset the Fixable Error Counter

Value	Description
0	No effect.
1	Resets the ECC fixable error counter.

### Bit 2 - TEST\_MODE\_WR Test Mode of ECC Protection - Write Mode

The ENABLE bit must be enabled to use this bit.

Value	Description
0	Test mode is deactivated.
1	Test mode is activated.

### Bit 1 - TEST\_MODE\_RD Test Mode of ECC Protection - Read Mode

The ENABLE bit must be enabled to use this bit.

Value	Description
0	Test mode is deactivated.

Value	Description
1	Test mode is activated.

**Bit 0 - ENABLE** ECC Protection Enable

Value	Description
0	Protection is deactivated.
1	Protection is activated.

## 20.5.8 HECC Control Register x [x=1..3]

**Name:** HEFC\_HECC\_CRx  
**Offset:** 0x0104 + (x-1)\*0x04 [x=1..3]  
**Reset:** 0x00000000  
**Property:** Read/Write

Bit	31	30	29	28	27	26	25	24
Access								
Reset								
Bit	23	22	21	20	19	18	17	16
Access								
Reset								
Bit	15	14	13	12	11	10	9	8
Access								
Reset								
Bit	7	6	5	4	3	2	1	0
Access		ECC12_ENAB	RST_NOFIX_C	RST_FIX_CPT		TEST_MODE_	TEST_MODE_	ENABLE
Reset		LE	PT			WR	RD	
Access		R/W	R/W	R/W		R/W	R/W	R/W
Reset		0	0	0		0	0	0

### Bit 6 - ECC12\_ENABLE BCH ECC Enable

Value	Description
0	Reserved
1	If register Bit0 ENABLE is also '1' then BCH 12-bit ECC is selected.

### Bit 5 - RST\_NOFIX\_CPT Reset the Unfixable Error Counter

Value	Description
0	No effect.
1	Resets the ECC unfixable error counter.

### Bit 4 - RST\_FIX\_CPT Reset the Fixable Error Counter

Value	Description
0	No effect.
1	Resets the ECC fixable error counter.

### Bit 2 - TEST\_MODE\_WR Test Mode of ECC Protection - Write Mode

The ENABLE bit must be enabled to use this bit.

Value	Description
0	Test mode is deactivated.
1	Test mode is activated.

### Bit 1 - TEST\_MODE\_RD Test Mode of ECC Protection - Read Mode

The ENABLE bit must be enabled to use this bit.

Value	Description
0	Test mode is deactivated.
1	Test mode is activated.

**Bit 0 - ENABLE** ECC Protection Enable

Value	Description
0	Protection is deactivated.
1	Protection is activated.

## 20.5.9 HECC Test Mode Register x

**Name:** HEFC\_HECC\_TESTCBx  
**Offset:** 0x0140 + x\*0x04 [x=0..3]  
**Reset:** 0x00000000  
**Property:** Read/Write

The configuration of HEFC\_HECC\_CR0 is duplicated in the other HEFC\_HECC\_CRx.

Bit	31	30	29	28	27	26	25	24
Access								
Reset								
Bit	23	22	21	20	19	18	17	16
Access								
Reset								
Bit	15	14	13	12	11	10	9	8
Access	TCB[15:8]							
Reset	R/W	R/W	R/W	R/W	R/W	R/W	R/W	R/W
Reset	0	0	0	0	0	0	0	0
Bit	7	6	5	4	3	2	1	0
Access	TCB[7:0]							
Reset	R/W	R/W	R/W	R/W	R/W	R/W	R/W	R/W
Reset	0	0	0	0	0	0	0	0

### Bits 15:0 – TCB[15:0] Test Check Bit (16 bits)

Check bit for testing purposes.

For BCH code, the checksum is made of the parity bit, located at TCB[12], and checkbit data, located at TCB[11:0].

## 20.5.10 HECC STATUS Register

**Name:** HEFC\_HECC\_SR  
**Offset:** 0x180  
**Reset:** 0x00000000  
**Property:** Read-only

Bit	31	30	29	28	27	26	25	24
			MEM_ID[1:0]		TYPE	HES[2:0]		
Access			R	R	R	R	R	R
Reset			0	0	0	0	0	0
Bit	23	22	21	20	19	18	17	16
Access								
Reset								
Bit	15	14	13	12	11	10	9	8
	OVER_NOFIX	CPT_NOFIX[4:0]						MEM_NOFIX
Access	R	R	R	R	R	R		R
Reset	0	0	0	0	0	0		0
Bit	7	6	5	4	3	2	1	0
	OVER_FIX	CPT_FIX[4:0]						MEM_FIX
Access	R	R	R	R	R	R		R
Reset	0	0	0	0	0	0		0

**Bits 29:28 – MEM\_ID[1:0]** Memory Identification Number  
 Indicates to which memory the error refers.

Value	Description
0	Memory 0
1	Memory 1
2	Memory 2
3	Memory 3

**Bit 27 – TYPE** Write or Read Access

Value	Description
0	Write access.
1	Read access.

**Bits 26:24 – HES[2:0]** Hardware Error Size  
 Identifies the size of the failed access.

**Bit 15 – OVER\_NOFIX** Counter Overflow

Value	Description
0	No overflow has occurred since the last read.
1	One overflow has occurred since the last read.

**Bits 14:10 – CPT\_NOFIX[4:0]** 5-bit Counter  
 Counts the number of unfixable errors detected for one type of memory during the mission.

**Bit 8 – MEM\_NOFIX** Unfixable Error Status  
 An unfixable error has been detected.



**Bit 7 – OVER\_FIX** Counter Overflow

Value	Description
0	No overflow has occurred since the last read.
1	One overflow has occurred since the last read.

**Bits 6:2 – CPT\_FIX[4:0]** 5-bit Counter

Counts the number of fixable errors detected for one type of memory during the mission.

**Bit 0 – MEM\_FIX** Fixable Error Status

A fixable error has been detected.

## 20.5.11 HECC Interrupt Enable Register

**Name:** HEFC\_HECC\_IER

**Offset:** 0x184

**Reset:** -

**Property:** Write-only

The following configuration values are valid for all listed bit names of this register:

0: No effect.

1: Enables the corresponding interrupt.

Bit	31	30	29	28	27	26	25	24
Access								
Reset								
Bit	23	22	21	20	19	18	17	16
Access								
Reset								
Bit	15	14	13	12	11	10	9	8
Access								
Reset								
Bit	7	6	5	4	3	2	1	0
Access							MEM_NOFIX	MEM_FIX
Reset							W	W
							-	-

**Bit 1 - MEM\_NOFIX** Unfixable Error

**Bit 0 - MEM\_FIX** Fixable Error

## 20.5.12 HECC Interrupt Disable Register

**Name:** HEFC\_HECC\_IDR

**Offset:** 0x188

**Reset:** -

**Property:** Write-only

The following configuration values are valid for all listed bit names of this register:

0: No effect.

1: Disables the corresponding interrupt.

Bit	31	30	29	28	27	26	25	24
Access								
Reset								
Bit	23	22	21	20	19	18	17	16
Access								
Reset								
Bit	15	14	13	12	11	10	9	8
Access								
Reset								
Bit	7	6	5	4	3	2	1	0
Access							MEM_NOFIX	MEM_FIX
Reset							W	W
							-	-

**Bit 1 - MEM\_NOFIX** Unfixable Error

**Bit 0 - MEM\_FIX** Fixable Error

### 20.5.13 HECC Interrupt Mask Register

**Name:** HEFC\_HECC\_IMR  
**Offset:** 0x18C  
**Reset:** 0x00000000  
**Property:** Read-only

The following configuration values are valid for all listed bit names of this register:

0: The corresponding interrupt is disabled.

1: The corresponding interrupt is enabled.

Bit	31	30	29	28	27	26	25	24
Access								
Reset								
Bit	23	22	21	20	19	18	17	16
Access								
Reset								
Bit	15	14	13	12	11	10	9	8
Access								
Reset								
Bit	7	6	5	4	3	2	1	0
Access							MEM_NOFIX	MEM_FIX
Reset							R	R
							0	0

**Bit 1 - MEM\_NOFIX** Unfixable error

**Bit 0 - MEM\_FIX** Fixable error

## 20.5.14 HECC Fail Address register

**Name:** HEFC\_HECC\_FAILAR

**Offset:** 0x190

**Reset:** 0x00000000

**Property:** Read-only

Bit	31	30	29	28	27	26	25	24
	ADDRESS[31:24]							
Access	R	R	R	R	R	R	R	R
Reset	0	0	0	0	0	0	0	0
Bit	23	22	21	20	19	18	17	16
	ADDRESS[23:16]							
Access	R	R	R	R	R	R	R	R
Reset	0	0	0	0	0	0	0	0
Bit	15	14	13	12	11	10	9	8
	ADDRESS[15:8]							
Access	R	R	R	R	R	R	R	R
Reset	0	0	0	0	0	0	0	0
Bit	7	6	5	4	3	2	1	0
	ADDRESS[7:0]							
Access	R	R	R	R	R	R	R	R
Reset	0	0	0	0	0	0	0	0

### Bits 31:0 – ADDRESS[31:0] Address of the Error Detected

The address of the faulty data detected when a single or multiple error occurs.

## 20.5.15 HECC Fail Data Register

**Name:** HEFC\_HECC\_FAILDR  
**Offset:** 0x194  
**Reset:** 0x00000000  
**Property:** Read-only

Bit	31	30	29	28	27	26	25	24
	DATA[31:24]							
Access	R	R	R	R	R	R	R	R
Reset	0	0	0	0	0	0	0	0
Bit	23	22	21	20	19	18	17	16
	DATA[23:16]							
Access	R	R	R	R	R	R	R	R
Reset	0	0	0	0	0	0	0	0
Bit	15	14	13	12	11	10	9	8
	DATA[15:8]							
Access	R	R	R	R	R	R	R	R
Reset	0	0	0	0	0	0	0	0
Bit	7	6	5	4	3	2	1	0
	DATA[7:0]							
Access	R	R	R	R	R	R	R	R
Reset	0	0	0	0	0	0	0	0

### Bits 31:0 – DATA[31:0] Data Error

The faulty data is stored in this register when a fixable or unfixable error occurs.

## 21. Supply Controller (SUPC)

### 21.1 Description

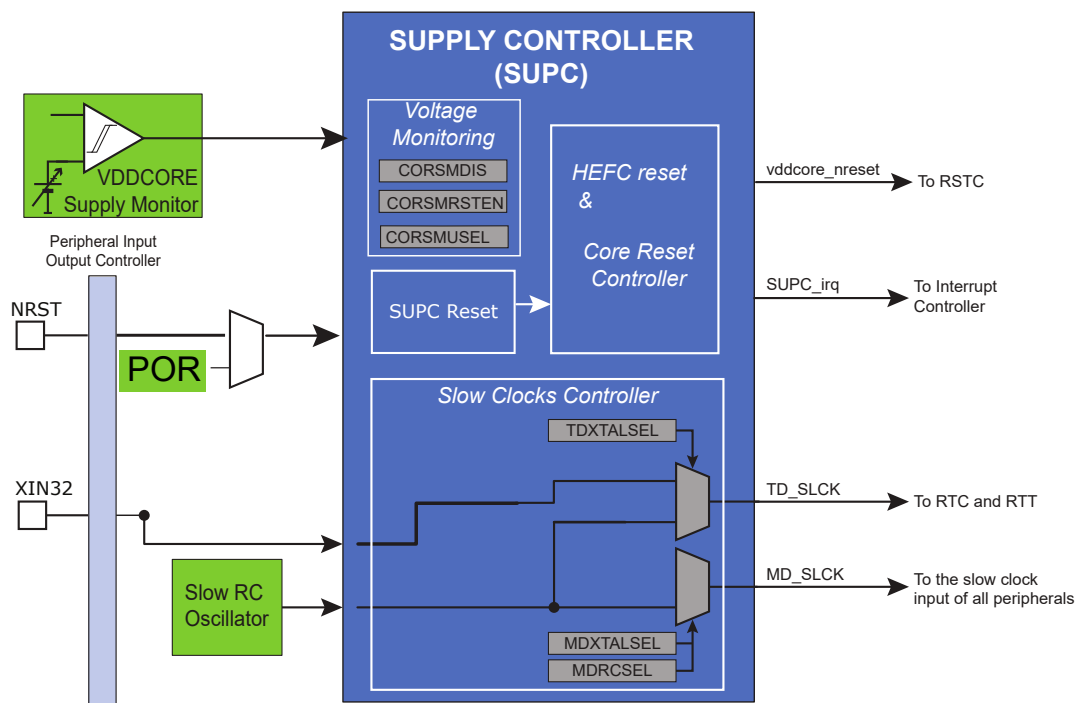
The Supply Controller (SUPC) is in charge of sequencing the internal circuits ( RC oscillators, etc.) at device power-up, generating the slow clocks (MD\_SLCK and TD\_SLCK) and managing the Supply Monitor.

### 21.2 Embedded Characteristics

- Supply Monitor Detection on VDDCORE to Trigger a Core Reset
- Slow Clock Generation:
  - MD\_SLCK — Monitoring domain slow clock
  - TD\_CLK — Timing domain slow clock

### 21.3 Block Diagram

Figure 21-1. Supply Controller Block Diagram



### 21.4 Functional Description

#### 21.4.1 Overview

From a power domain perspective, the device is classified as the following two digital power areas:

- VDDIO – Includes powered I/O pads and Flash memories
- VDDCORE – Powers the entire circuit, including logic and embedded memories

The SUPC includes the following functions:

- Internal circuits (RC oscillators and so on) sequencing at power-up
- Slow clock generation
- Power supply monitoring

At power-up (VDDIO and VDDCORE rise), the SUPC is maintained in reset until VDDCORE rises to its nominal value and the NRST pin is released. Once released from reset, the SUPC sequentially releases the reset of HEFC. Then, when the power-up sequence of the HEFC is completed, the release of the core logic reset signal (vddcore\_nreset) is performed.

The SUPC slow clock generator provides the system with:

- TD\_SLCK (Timing Domain Slow Clock) – This clock, generally sourced from the 32.768 kHz external slow clock, is routed to the RTC and RTT peripherals.
- MD\_SLCK (Monitoring Domain Slow Clock) – This clock, generally sourced from the Slow RC oscillator, feeds safety-critical functions of the device (WDT, RSTC, SUPC, frequency monitors and detectors, PMC start-up time counters).

TD\_SCLK can be sourced either from the 32.768 kHz external slow clock or from the slow RC oscillator. MD\_SCLK is sourced from slow RC oscillator. At power-up, they both default to the slow RC oscillator.

The Supply Monitoring section of the SUPC includes a fixed supply monitor on VDDCORE. The output can either generate a software interrupt or a reset of the core logic.

At power-down, as soon as VDDCORE falls below the Supply Monitor threshold, the SUPC is reset. This leads to a complete loss of the SUPC configuration (slow clock sources, supply monitoring functions, etc.). In Run mode, the vddcore\_nreset signal is immediately asserted.

#### 21.4.2 Slow Clock Generator

As soon as VDDIO is supplied, the slow RC oscillator is powered. The slow RC oscillator is always enabled. The slow RC oscillator provides a faster start-up time than the 32.768 kHz external slow clock.

The user can select the 32.768 kHz external slow clock to be the source of the TD\_SLCK, as it provides a more accurate frequency than the slow RC oscillator.

For TD\_SLCK, the 32.768 kHz external slow clock is selected by setting the TDXTALSEL bit in the SUPC Control register (SUPC\_CR).

For MD\_SLCK, the slow RC oscillator is the only available clock source.

The following sequences must be followed to switch from the slow RC oscillator to the 32.768 kHz external slow clock:

Case 1: The 32.768 external clock is selected as the source of TD\_SCLK.

1. Select the 32.768 external clock as a source of TD\_SLCK by setting the TDXTALSEL in SUPC\_CR.
2. The switching of TD\_SCLK is effective when TDOSCESEL is set in SUPC\_SR.

The switching time may vary depending on the slow RC oscillator output frequency. The switch of the slow clock source is glitch-free.

Reverting to the slow RC oscillator as the clock source of TD\_SLCK is only possible by resetting the SUPC.

If embedded RC is not used, the user has to provide the external clock signal on XIN32. The input characteristics of the XIN32 pin are given in the section Electrical Characteristics.

#### 21.4.3 Power-up, Power-down and SUPC Reset

The SUPC is powered by VDDCORE and is reset by the NRST pin or on the POR cell. During reset, the system is in the following state:

- The SUPC is in reset state, and consequently,
- The core reset signal vddcore\_nreset is asserted.
- The I/O pins default to their reset state as described in the section “Package and Pinout”.



The slow RC oscillator is the default oscillator of the SUPC at power-up.

As soon as voltages are valid, the SUPC exits its reset state and, after five slow RC oscillator cycles, enables the VDDCORE supply monitor. When the output signal of this supply monitor (SMcore\_out) indicates a valid VDDCORE voltage for at least one slow RC oscillator cycle, the core logic reset signal vddcore\_nreset is de-asserted to the Reset Controller input.

At power-down (i.e., as soon as VDDCORE falls below its SM VTH- threshold), the SUPC is reset and its configuration is immediately lost. Without any sequencing, the core reset signal (vddcore\_nreset) is asserted, the I/Os configuration is lost (they default to their reset state), the oscillators and PLLs are switched off.

#### 21.4.4 Core Reset

The Supply Controller manages the vddcore\_nreset signal to the Reset Controller, as described in [Power-up, Power-down and SUPC Reset](#). The vddcore\_nreset signal is normally asserted before shutting down the core power supply and released as soon as the core power supply is correctly regulated.

The VDDCORE supply monitor detection source can be programmed to activate vddcore\_nreset.

##### 21.4.4.1 VDDCORE Supply Monitor Reset

The VDDCORE supply monitor provides the SMcore\_out signal to the SUPC. This signal indicates that the digital VDDCORE voltage is in a nominal range. If this signal is lost for longer than 1 slow clock period, the SUPC asserts vddcore\_nreset if SUPC\_MR.CORSMRSTEN is written to '1'.

If CORSMRSTEN is set and the VDDCORE voltage is too low, the vddcore\_nreset signal is asserted for a minimum of one slow clock cycle and de-asserted as soon as SMcore\_out indicates a valid VDDCORE voltage.

#### 21.4.5 Register Write Protection

To prevent any single software error from corrupting SYSC behavior, certain registers in the address space can be write-protected by setting the WPEN bit in the [System Controller Write Protection Mode Register](#) (SYSC\_WPMR).

The following registers can be write-protected:

- RSTC Mode Register
- RTT Mode Register
- RTT Alarm Register
- RTC Control Register
- RTC Mode Register
- RTC Time Alarm Register
- RTC Calendar Alarm Register
- [Supply Controller Control Register](#)
- [Supply Controller Supply Monitor Mode Register](#)
- [Supply Controller Mode Register](#)
- [Supply Controller Status Register](#)

#### 21.4.6 System Controller (SYSC) User Interface

**Table 21-1.** System Controller Registers

Offset	System Controller Peripheral	Name
0x00–0x0C	Reset Controller	RSTC
0x10–0x2C	Supply Controller	SUPC

.....continued

Offset	System Controller Peripheral	Name
0x30-0x3C	Real Time Timer	RTT
0x50-0x5C	Watchdog Timer	WDT
0x60-0x8C	Real Time Clock	RTC
0x90-0xE0	Reserved	-
0xE4	Write Protection Mode Register	SYSC_WPMR
0xE8-0xF8	Reserved	-

## 21.5 Register Summary

Offset	Name	Bit Pos.	7	6	5	4	3	2	1	0	
0x00	SUPC_CR	7:0					TDXTALSEL	ZERO			
		15:8									
		23:16									
		31:24	KEY[7:0]								
0x04	SUPC_SMMR	7:0									
		15:8									
		23:16	CORESMUSEL								
		31:24									
0x08	SUPC_MR	7:0									
		15:8			CORSMDIS	CORSMRSTEN					
		23:16	FXTALSTUP			ZERO					
		31:24	KEY[7:0]								
0x0C ... 0x13	Reserved										
0x14	SUPC_SR	7:0	TDOSCESEL					CORSMRSTS			
		15:8									
		23:16									
		31:24									
0x18 ... 0x1B	Reserved										
0x1C	SUPC_PWR	7:0									
		15:8									
		23:16						ZERO			
		31:24									
0x20 ... 0xD3	Reserved										
0xD4	SYSC_WPMR	7:0								WPEN	
		15:8	WPKEY[7:0]								
		23:16	WPKEY[15:8]								
		31:24	WPKEY[23:16]								

## 21.5.1 Supply Controller Control Register

**Name:** SUPC\_CR  
**Offset:** 0x00  
**Reset:** -  
**Property:** Write-only

This register can only be written if the WPEN bit is cleared in the [System Controller Write Protection Mode Register](#).

Bit	31	30	29	28	27	26	25	24
	KEY[7:0]							
Access	W	W	W	W	W	W	W	W
Reset	-	-	-	-	-	-	-	-
Bit	23	22	21	20	19	18	17	16
Access								
Reset								
Bit	15	14	13	12	11	10	9	8
Access								
Reset								
Bit	7	6	5	4	3	2	1	0
Access					W	W		
Reset					-	-		

### Bits 31:24 – KEY[7:0] Password

Value	Name	Description
0xA5	PASSWD	Writing any other value in this field aborts the write operation.

### Bit 3 – TDXTALSEL Timing Domain Crystal Oscillator Select

0 (NO\_EFFECT): No effect.

1 (CRYSTAL\_SEL): If KEY is correct, the slow clock of the timing domain (TD\_SLCK) is connected to the 32.768 kHz crystal oscillator output.

### Bit 2 – ZERO ZERO

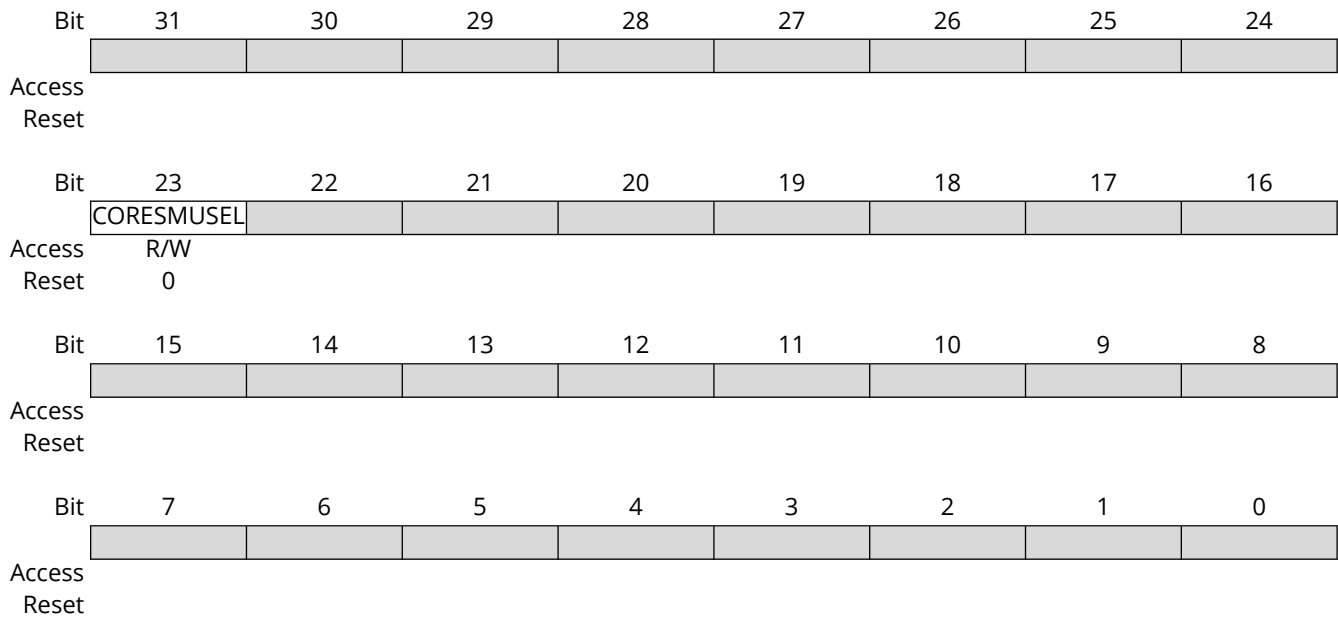
0 : if the KEY is correct, ZERO shall be always write at '0'.

1 : do not used, writing this value to '1' can leads to unsupported behaviour

## 21.5.2 Supply Controller Supply Monitor Mode Register

**Name:** SUPC\_SMMR  
**Offset:** 0x04  
**Reset:** 0x00000000  
**Property:** Read/Write

This register can only be written if the WPEN bit is cleared in the [System Controller Write Protection Mode Register](#).



### Bit 23 - CORESMUSEL Core Supply Monitor User Selection

Value	Description
0	The VDDCORE supply monitor threshold is set to its unique value. Refer to the section "Electrical Characteristics".
1	Reserved.

### 21.5.3 Supply Controller Mode Register

**Name:** SUPC\_MR  
**Offset:** 0x08  
**Reset:** 0x00004A00  
**Property:** Read/Write

This register can only be written if the WPEN bit is cleared in the [System Controller Write Protection Mode Register](#).

Bit	31	30	29	28	27	26	25	24
	KEY[7:0]							
Access	W	W	W	W	W	W	W	W
Reset	0	0	0	0	0	0	0	0
Bit	23	22	21	20	19	18	17	16
		FXTALSTUP		ZERO				
Access		R/W		R/W				
Reset		0		0				
Bit	15	14	13	12	11	10	9	8
			CORSMDIS	CORSMRSTE N				
Access			R/W	R/W				
Reset			0	0				
Bit	7	6	5	4	3	2	1	0
Access								
Reset								

#### Bits 31:24 – KEY[7:0] Password Key

Value	Name	Description
0xA5	PASSWD	Writing any other value in this field aborts the write operation.

#### Bit 22 – FXTALSTUP Fast Start-up 32.768 kHz external slow clock

Value	Description
0	External slow clock start-up time is 52800 slow RC periods.
1	External slow clock start-up time is 1 slow RC period.

#### Bit 20 – ZERO ZERO

0: ZERO .

#### Bit 13 – CORSMDIS VDDCORE Supply Monitor Disable

0 (ENABLE): The VDDCORE supply monitor is enabled.  
 1 (DISABLE): The VDDCORE supply monitor is disabled.

#### Bit 12 – CORSMRSTEN VDDCORE Supply Monitor Reset Enable

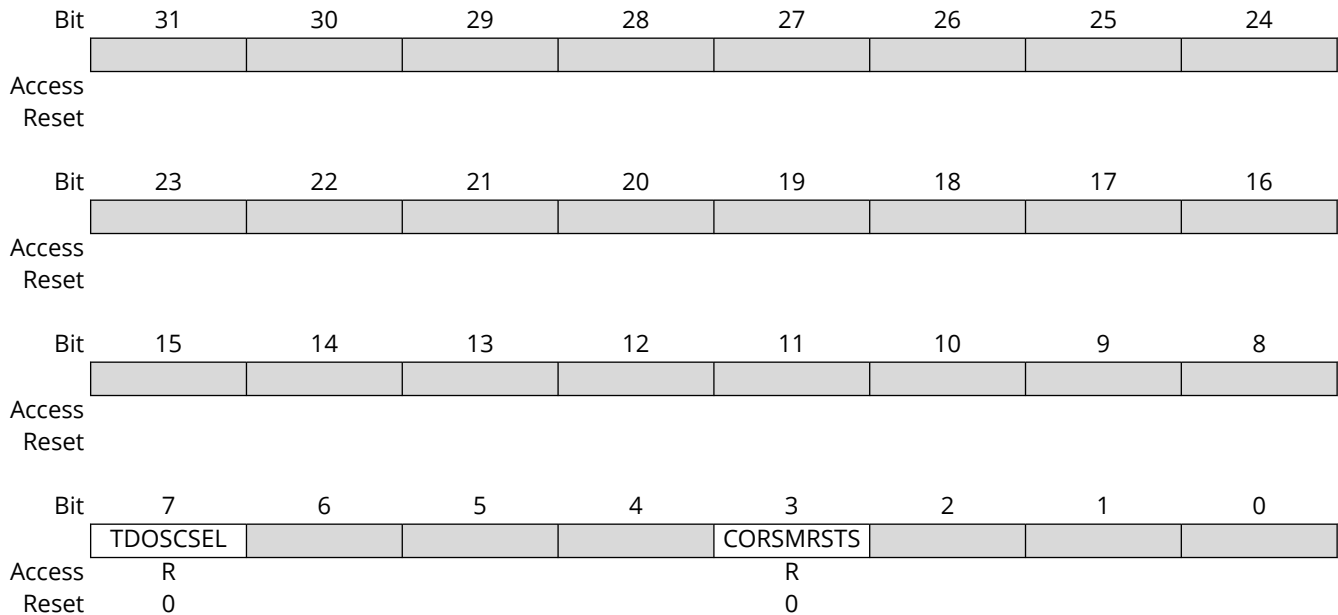
0 (NOT\_ENABLE): The core reset signal vddcore\_nreset is not affected when a VDDCORE supply monitor detection occurs.  
 1 (ENABLE): The core reset signal, vddcore\_nreset is asserted when a VDDCORE supply monitor detection occurs.

## 21.5.4 Supply Controller Status Register

**Name:** SUPC\_SR  
**Offset:** 0x14  
**Reset:** 0x00000000  
**Property:** Read-only

Because of the asynchronism between the Slow Clock (MD\_SLCK) and the System Clock (MCK), the status register flag reset is taken into account only 2 slow clock cycles after the read of the SUPC\_SR.

This register can only be written if the WPEN bit is cleared in the [System Controller Write Protection Mode Register](#).



### Bit 7 - TDOSCSEL 32 kHz Oscillator Selection Status

0 (RC): The timing domain slow clock, TD\_SLCK, is generated by the slow RC oscillator.

1 (CRYST): The timing domain slow clock, TD\_SLCK, is generated by the 32.768 kHz external slow clock.

### Bit 3 - CORSMRSTS VDDCORE Supply Monitor Reset Status (cleared on read)

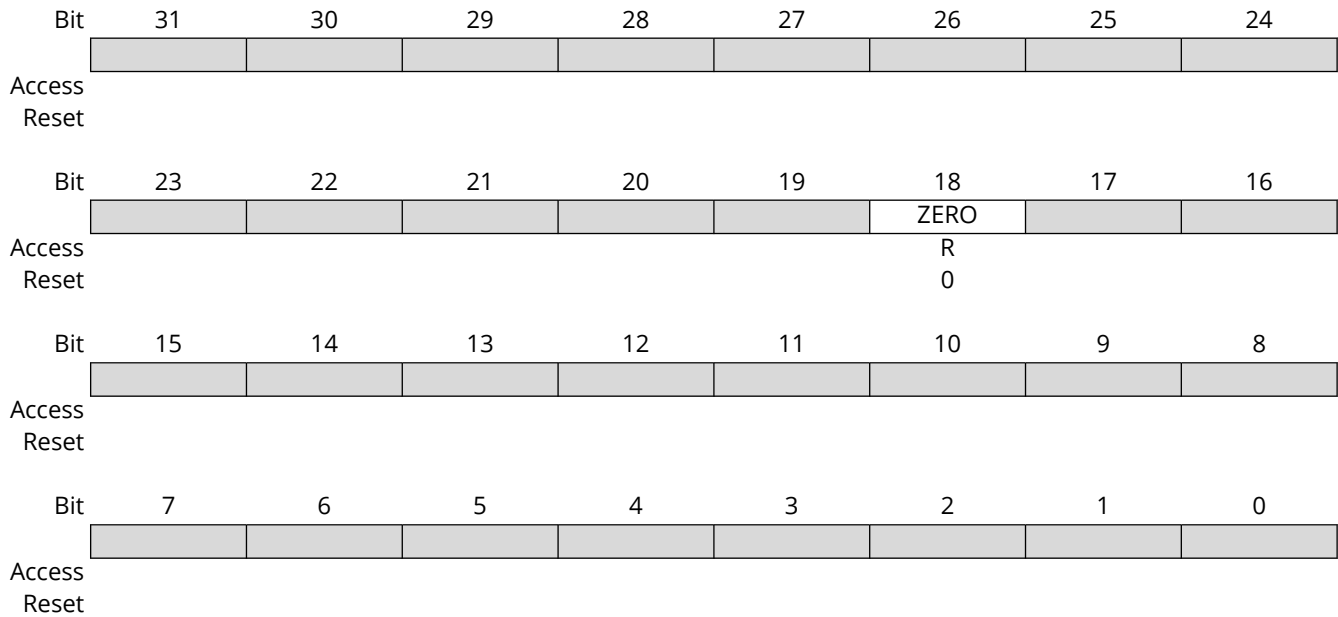
0 (NO): No VDDCORE Supply Monitor reset event has been detected since the last read of the SUPC\_SR.

1 (PRESENT): At least one VDDCORE Supply Monitor reset event has been detected since the last read of the SUPC\_SR.

When the voltage remains below the defined threshold, there is no VDDCORE Supply Monitor reset event at the output of the VDDCORE Supply Monitor detection cell. The VDDCORE Supply Monitor reset event occurs only when there is a voltage transition below the threshold.

### 21.5.5 Supply Controller Power Register

**Name:** SUPC\_PWR  
**Offset:** 0x1C  
**Reset:** 0x00000000  
**Property:** Read/Write



#### Bit 18 - ZERO ZERO

This bit is read-only.

0 : The monitoring domain slow clock, MD\_SLCK, is generated by the slow RC oscillator.

1: Reserved.



## 21.5.6 System Controller Write Protection Mode Register

**Name:** SYSC\_WPMR  
**Offset:** 0xD4  
**Reset:** 0x00000000  
**Property:** Read/Write

Bit	31	30	29	28	27	26	25	24
	WPKEY[23:16]							
Access	R	R	R	R	R	R	R	R
Reset	0	0	0	0	0	0	0	0
Bit	23	22	21	20	19	18	17	16
	WPKEY[15:8]							
Access	R	R	R	R	R	R	R	R
Reset	0	0	0	0	0	0	0	0
Bit	15	14	13	12	11	10	9	8
	WPKEY[7:0]							
Access	R	R	R	R	R	R	R	R
Reset	0	0	0	0	0	0	0	0
Bit	7	6	5	4	3	2	1	0
								WPEN
Access								R/W
Reset								0

### Bits 31:8 – WPKEY[23:0] Write Protection Key.

Value	Name	Description
0x525443	PASSWD	Writing any other value in this field aborts the write operation of the WPEN bit. Always reads as 0.

### Bit 0 – WPEN Write Protection Enable

See [Register Write Protection](#) for the list of registers that can be write-protected.

Value	Description
0	Disables the write protection if WPKEY corresponds to 0x525443 (“RTC” in ASCII).
1	Enables the write protection if WPKEY corresponds to 0x525443 (“RTC” in ASCII).



After a processor reset, the value of WDV is 0xFFF, corresponding to the maximum value of the counter with the external reset generation enabled (field WDRSTEN at 1 after a backup reset). This means that a default watchdog is running at reset, i.e., at power-up. The user can either disable the WDT by setting bit WDT\_MR.WDDIS or reprogram the WDT to meet the maximum watchdog period the application requires.

When setting the WDDIS bit, and while it is set, the fields WDV and WDD must not be modified.

If the watchdog is restarted by writing into the Control Register (WDT\_CR), WDT\_MR must not be programmed during a period of time of three slow clock periods following the WDT\_CR write access. In any case, programming a new value in WDT\_MR automatically initiates a restart instruction.

WDT\_MR can be written until a LOCKMR command is issued in WDT\_CR. Only a processor reset resets it. Writing WDT\_MR reloads the timer with the newly programmed mode parameters.

In normal operation, the user reloads the watchdog at regular intervals before the timer underflow occurs, by setting bit WDT\_CR.WDRSTT. The watchdog counter is then immediately reloaded from WDT\_MR and restarted, and the slow clock 128 divider is reset and restarted. WDT\_CR is write-protected. As a result, writing WDT\_CR without the correct hard-coded key has no effect. If an underflow does occur, the "wdt\_fault" signal to the Reset Controller is asserted if bit WDT\_MR.WDRSTEN is set. Moreover, the bit WDUNF is set in the Status Register (WDT\_SR).

The reload of the watchdog must occur while the watchdog counter is within a window between 0 and WDD. WDD is defined in WDT\_MR.

Any attempt to restart the watchdog while the watchdog counter is between WDV and WDD results in a watchdog error, even if the watchdog is disabled. The bit WDT\_SR.WDERR is updated and the "wdt\_fault" signal to the Reset Controller is asserted.

Note that this feature can be disabled by programming a WDD value greater than or equal to the WDV value. In such a configuration, restarting the Watchdog Timer is permitted in the whole range [0; WDV] and does not generate an error. This is the default configuration on reset (the WDD and WDV values are equal).

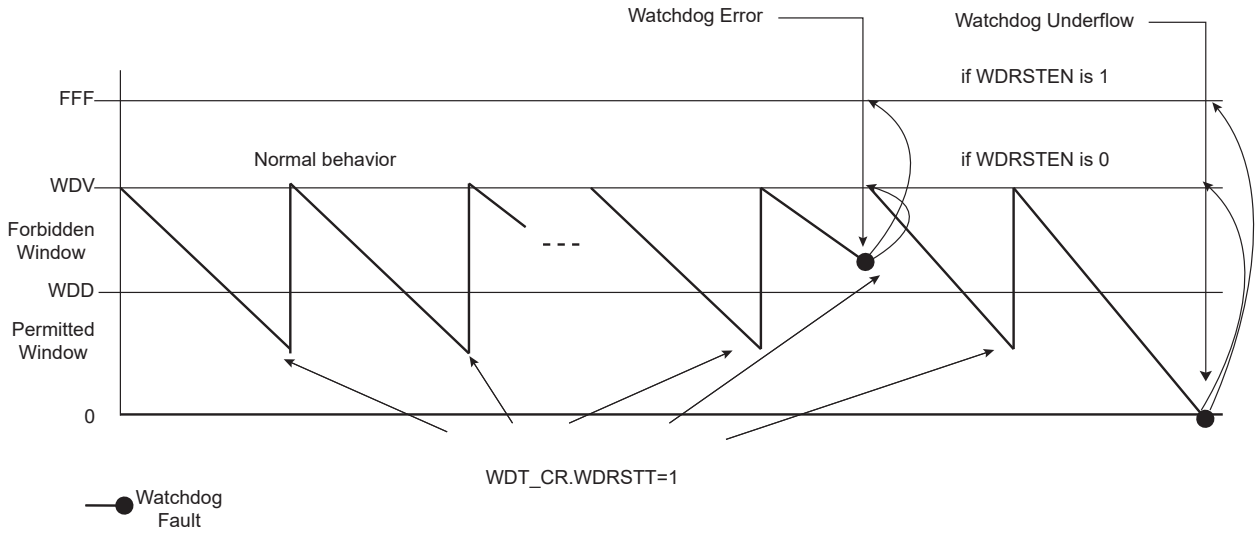
The status bits WDUNF (Watchdog Underflow) and WDERR (Watchdog Error) trigger an interrupt, provided the bit WDT\_MR.WDFIEN is set. The signal "wdt\_fault" to the Reset Controller causes a watchdog reset if the WDRSTEN bit is set as already explained in the Reset Controller documentation. In this case, the processor and the Watchdog Timer are reset, and the WDERR and WDUNF flags are reset.

If a reset is generated or if WDT\_SR is read, the status bits are reset, the interrupt is cleared, and the "wdt\_fault" signal to the reset controller is deasserted.

Writing WDT\_MR reloads and restarts the down counter.

While the processor is in debug state or in Sleep mode, the counter may be stopped depending on the value programmed for the bits WDIDLEHLT and WDDBGHLT in WDT\_MR.

Figure 22-2. Watchdog Behavior



## 22.5 Register Summary

Offset	Name	Bit Pos.	7	6	5	4	3	2	1	0	
0x00	WDT_CR	7:0				LOCKMR				WDRSTT	
		15:8									
		23:16									
		31:24	KEY[7:0]								
0x04	WDT_MR	7:0	WDV[7:0]								
		15:8	WDDIS	WDRPROC	WDRSTEN	WDFIEN	WDV[11:8]				
		23:16	WDD[7:0]								
		31:24			WDIDLEHLT	WDBGHLT	WDD[11:8]				
0x08	WDT_SR	7:0							WDERR	WDUNF	
		15:8									
		23:16									
		31:24									

## 22.5.1 Watchdog Timer Control Register

**Name:** WDT\_CR  
**Offset:** 0x00  
**Reset:** -  
**Property:** Write-only

The WDT\_CR register values must not be modified within three slow clock periods following a restart of the watchdog performed by a write access in WDT\_CR. Any modification will cause the watchdog to trigger an end of period earlier than expected.

Bit	31	30	29	28	27	26	25	24
	KEY[7:0]							
Access	W	W	W	W	W	W	W	W
Reset	0	0	0	0	0	0	0	-
Bit	23	22	21	20	19	18	17	16
Access								
Reset								
Bit	15	14	13	12	11	10	9	8
Access								
Reset								
Bit	7	6	5	4	3	2	1	0
				LOCKMR				WDRSTT
Access				W				W
Reset				-				-

### Bits 31:24 – KEY[7:0] Password

Value	Name	Description
0xA5	PASSWD	Writing any other value in this field aborts the write operation.

### Bit 4 – LOCKMR Lock Mode Register Write Access

Value	Description
0	No effect.
1	Locks the Mode Register (WDT_MR) if KEY is written to 0xA5, write access to WDT_MR has no effect.

### Bit 0 – WDRSTT Watchdog Restart

Value	Description
0	No effect.
1	Restarts the watchdog if KEY is written to 0xA5.

## 22.5.2 Watchdog Timer Mode Register

**Name:** WDT\_MR  
**Offset:** 0x04  
**Reset:** 0x3FFF2FFF  
**Property:** Read/Write

Write access to this register has no effect if the LOCKMR command is issued in WDT\_CR (unlocked on hardware reset).

The WDT\_MR register values must not be modified within three slow clock periods following a restart of the watchdog performed by a write access in WDT\_CR. Any modification will cause the watchdog to trigger an end of period earlier than expected.

Bit	31	30	29	28	27	26	25	24
			WDIDLEHLT	WDDBGHLT	WDD[11:8]			
Access			R/W	R/W	R/W	R/W	R/W	R/W
Reset			1	1	1	1	1	1
Bit	23	22	21	20	19	18	17	16
	WDD[7:0]							
Access	R/W	R/W	R/W	R/W	R/W	R/W	R/W	R/W
Reset	1	1	1	1	1	1	1	1
Bit	15	14	13	12	11	10	9	8
	WDDIS	WDRPROC	WDRSTEN	WDFIEN	WDV[11:8]			
Access	R/W	R/W	R/W	R/W	R/W	R/W	R/W	R/W
Reset	0	0	1	0	1	1	1	1
Bit	7	6	5	4	3	2	1	0
	WDV[7:0]							
Access	R/W	R/W	R/W	R/W	R/W	R/W	R/W	R/W
Reset	1	1	1	1	1	1	1	1

### Bit 29 - WDIDLEHLT Watchdog Idle Halt

Value	Description
0	The watchdog runs when the system is in idle state.
1	The watchdog stops when the system is in idle state.

### Bit 28 - WDDBGHLT Watchdog Debug Halt

Value	Description
0	The watchdog runs when the processor is in debug state.
1	The watchdog stops when the processor is in debug state.

### Bits 27:16 - WDD[11:0] Watchdog Delta Value

Defines the permitted range for reloading the Watchdog Timer.

If the Watchdog Timer value is less than or equal to WDD, setting bit WDT\_CR.WDRSTT restarts the timer.

If the Watchdog Timer value is greater than WDD, setting bit WDT\_CR.WDRSTT causes a watchdog error.

### Bit 15 - WDDIS Watchdog Disable

When setting the WDDIS bit, and while it is set, the fields WDV and WDD must not be modified.

Value	Description
0	Enables the Watchdog Timer.

Value	Description
1	Disables the Watchdog Timer.

**Bit 14 – WDRPROC** Watchdog Reset Processor

Value	Description
0	If WDRSTEN is 1, a watchdog fault (underflow or error) activates all resets.
1	If WDRSTEN is 1, a watchdog fault (underflow or error) activates the processor reset.

**Bit 13 – WDRSTEN** Watchdog Reset Enable

Value	Description
0	A watchdog fault (underflow or error) has no effect on the resets.
1	A watchdog fault (underflow or error) triggers a watchdog reset.

**Bit 12 – WDFIEN** Watchdog Fault Interrupt Enable

Value	Description
0	A watchdog fault (underflow or error) has no effect on interrupt.
1	A watchdog fault (underflow or error) asserts interrupt.

**Bits 11:0 – WDV[11:0]** Watchdog Counter Value

Defines the value loaded in the 12-bit watchdog counter.



### 22.5.3 Watchdog Timer Status Register

**Name:** WDT\_SR  
**Offset:** 0x08  
**Reset:** 0x00000000  
**Property:** Read-only

Bit	31	30	29	28	27	26	25	24
Access								
Reset								
Bit	23	22	21	20	19	18	17	16
Access								
Reset								
Bit	15	14	13	12	11	10	9	8
Access								
Reset								
Bit	7	6	5	4	3	2	1	0
Access							WDERR	WDUNF
Reset							R	R
							0	0

#### Bit 1 - WDERR Watchdog Error (cleared on read)

Value	Description
0	No watchdog error occurred since the last read of WDT_SR.
1	At least one watchdog error occurred since the last read of WDT_SR.

#### Bit 0 - WDUNF Watchdog Underflow (cleared on read)

Value	Description
0	No watchdog underflow occurred since the last read of WDT_SR.
1	At least one watchdog underflow occurred since the last read of WDT_SR.

## 23. Reinforced Safety Watchdog Timer (RSWDT)

### 23.1 Description

The Reinforced Safety Watchdog Timer (RSWDT) works in parallel with the Watchdog Timer (WDT) to reinforce safe watchdog operations.

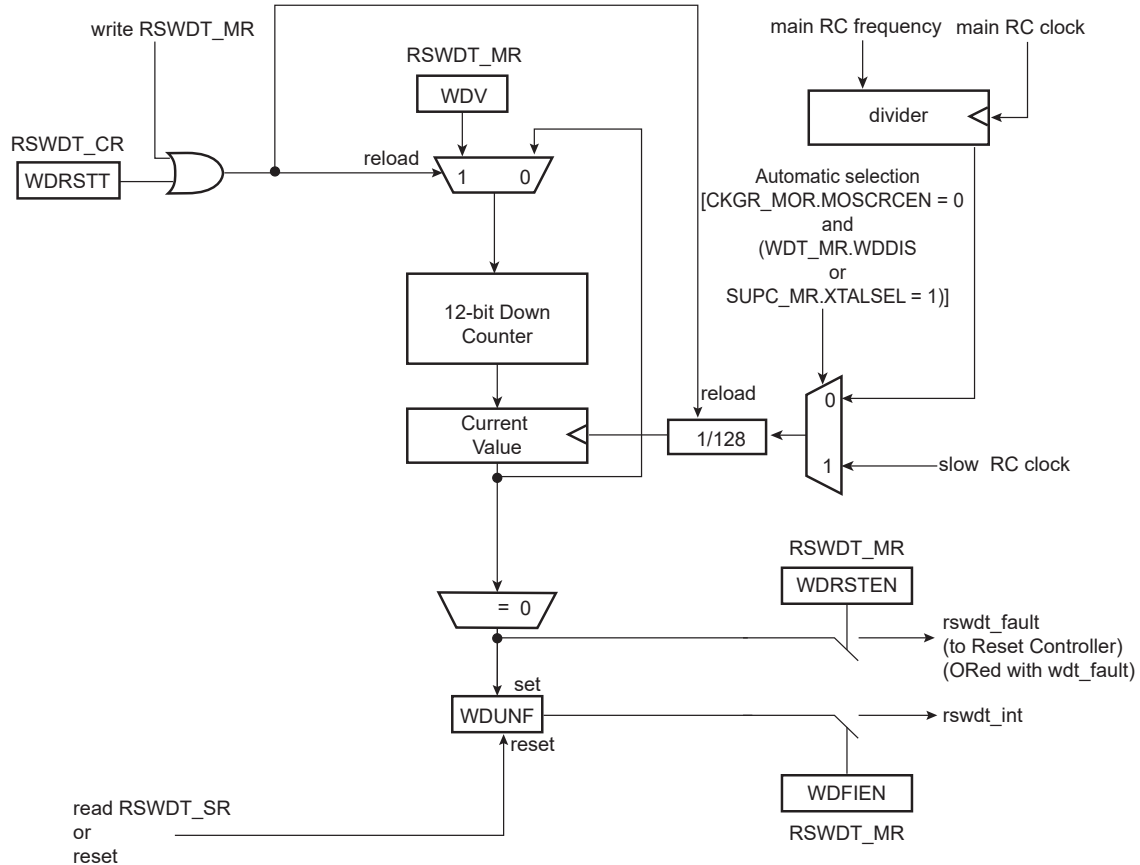
The RSWDT can be used to reinforce the safety level provided by the WDT in order to prevent system lock-up if the software becomes trapped in a deadlock. The RSWDT works in a fully operable mode, independent of the WDT. Its clock source is automatically selected from either the Slow RC oscillator clock, or from the Main RC oscillator divided clock to get an equivalent Slow RC oscillator clock. If the WDT clock source (for example, the 32 kHz crystal oscillator) fails, the system lock-up is no longer monitored by the WDT because the RSWDT performs the monitoring. Thus, there is no lack of safety regardless of the external operating conditions. The RSWDT shares the same features as the WDT (i.e., a 12-bit down counter that allows a watchdog period of up to 16 seconds with slow clock at 32.768 kHz). It can generate a general reset or a processor reset only. In addition, it can be stopped while the processor is in Debug mode or Idle mode.

### 23.2 Embedded Characteristics

- Automatically Selected Reliable RSWDT Clock Source (independent of WDT clock source)
- 12-bit Key-protected Programmable Counter
- Provides Reset or Interrupt Signals to the System
- Counter may be Stopped While Processor is in Debug State or Idle Mode

## 23.3 Block Diagram

Figure 23-1. Reinforced Safety Watchdog Timer Block Diagram



## 23.4 Functional Description

The RSWDT is supplied by VDDCORE. The RSWDT is initialized with default values on processor reset or on a power-on sequence and is disabled (its default mode) under such conditions.

The RSWDT must not be enabled if the WDT is disabled.

The Main RC oscillator divided clock is selected if the Main RC oscillator is already enabled by the application ( $CKGR\_MOR.MOSCRNEN = 1$ ) or if the WDT is driven by the Slow RC oscillator.

The RSWDT is built around a 12-bit down counter, which is loaded with a slow clock value other than that of the slow clock in the WDT, defined in the WDV (Watchdog Counter Value) field of the Mode Register (RSWDT\_MR). The RSWDT uses the slow clock divided by 128 to establish the maximum watchdog period to be 16 seconds (with a typical slow clock of 32.768 kHz).

After a processor reset, the value of RSWDT\_MR.WDV is 0xFF, corresponding to the maximum value of the counter with the external reset generation enabled (RSWDT\_MR.WDRSTEN = 1 after a backup reset). This means that a default watchdog is running at reset, i.e., at power-up.

If the watchdog is restarted by writing into the Control Register (RSWDT\_CR), the RSWDT\_MR must not be programmed during a period of time of three slow clock periods following the RSWDT\_CR write access. Programming a new value in the RSWDT\_MR automatically initiates a restart instruction.

RSWDT\_MR can be written only once. Only a processor reset resets it. Writing RSWDT\_MR reloads the timer with the newly programmed mode parameters.

In normal operation, the user reloads the watchdog at regular intervals before the timer underflow occurs, by setting bit RSWDT\_CR.WDRSTT. The watchdog counter is then immediately reloaded from the RSWDT\_MR and restarted, and the slow clock 128 divider is reset and restarted. The RSWDT\_CR is write-protected. As a result, writing RSWDT\_CR without the correct hard-coded key has no effect. If an underflow does occur, the “wdt\_fault” signal to the Reset Controller is asserted if RSWDT\_MR.WDRSTEN is set. Moreover, WDUNF (Watchdog Underflow) is set in the Status Register (RSWDT\_SR).

The status bits WDUNF and WDERR trigger an interrupt, provided the WDFIEN bit is set in the RSWDT\_MR. The signal “wdt\_fault” to the Reset Controller causes a Watchdog reset if the WDRSTEN bit. For details, refer to the section “Reset Controller (RSTC)”. In this case, the processor and the RSWDT are reset, and the WDUNF and WDERR flags are reset.

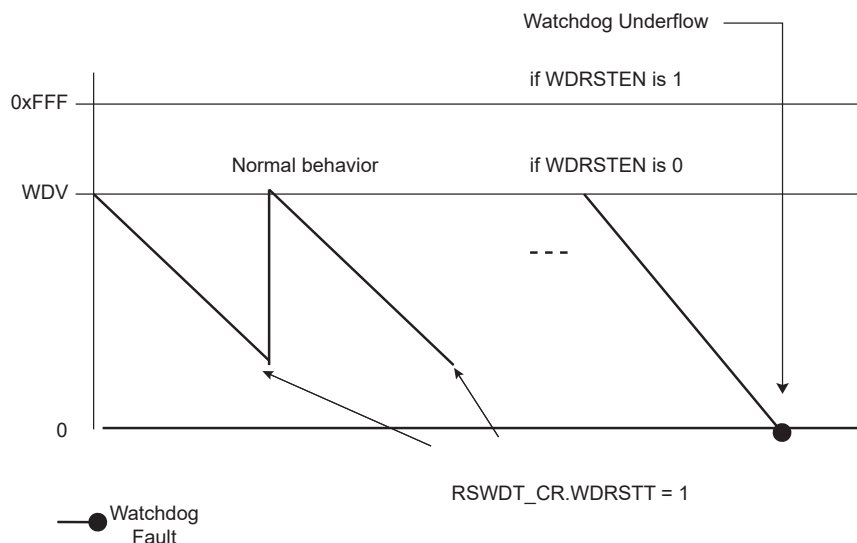
If a reset is generated, or if RSWDT\_SR is read, the status bits are reset, the interrupt is cleared, and the “wdt\_fault” signal to the reset controller is deasserted

Writing RSWDT\_MR reloads and restarts the down counter.

The RSWDT is disabled after any power-on sequence.

While the processor is in Debug state or in Idle mode, the counter may be stopped depending on the value programmed for the WDIDLEHLT and WDDBGHLT bits in the RSWDT\_MR.

**Figure 23-2.** Watchdog Behavior



## 23.5 Register Summary

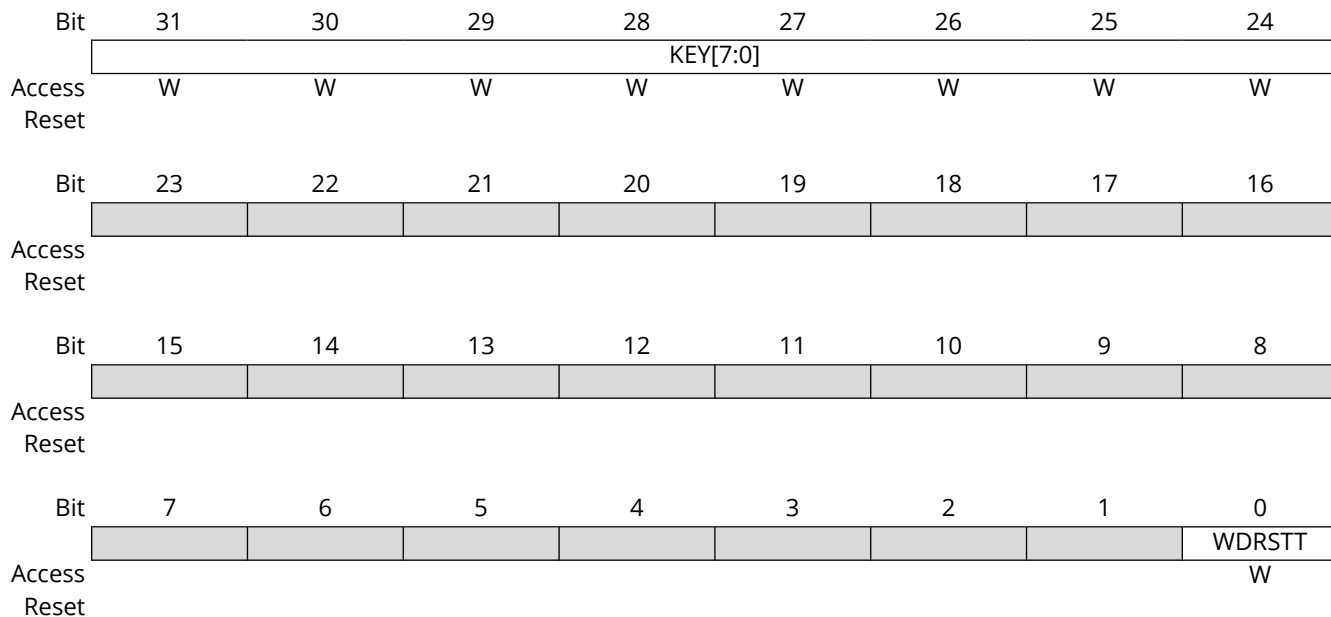
Offset	Name	Bit Pos.	7	6	5	4	3	2	1	0	
0x00	RSWDT_CR	7:0								WDRSTT	
		15:8									
		23:16									
		31:24	KEY[7:0]								
0x04	RSWDT_MR	7:0	WDV[7:0]								
		15:8	WDDIS		WDRSTEN	WDFIEN			WDV[11:8]		
		23:16	ALLONES[7:0]								
		31:24			WDIDLEHLT	WDDBGHLT			ALLONES[11:8]		
0x08	RSWDT_SR	7:0								WDUNF	
		15:8									
		23:16									
		31:24									

### 23.5.1 Reinforced Safety Watchdog Timer Control Register

**Name:** RSWDT\_CR

**Offset:** 0x00

**Property:** Write-only



#### Bits 31:24 – KEY[7:0] Password

Value	Name	Description
0xC4	PASSWD	Writing any other value in this field aborts the write operation.

#### Bit 0 – WDRSTT Watchdog Restart

Value	Description
0	No effect.
1	Restarts the watchdog.

## 23.5.2 Reinforced Safety Watchdog Timer Mode Register

**Name:** RSWDT\_MR  
**Offset:** 0x04  
**Reset:** 0x3FFFAFFF  
**Property:** Read/Write Once

**Note:** The first write access prevents any further modification of the value of this register; read accesses remain possible. The WDV value must not be modified within three slow clock periods following a restart of the watchdog performed by means of a write access in the RSWDT\_CR, else the watchdog may trigger an end of period earlier than expected.

Bit	31	30	29	28	27	26	25	24
			WDIDLEHLT	WDDBGHLT	ALLONES[11:8]			
Access								
Reset			1	1	1	1	1	1
Bit	23	22	21	20	19	18	17	16
	ALLONES[7:0]							
Access								
Reset	1	1	1	1	1	1	1	1
Bit	15	14	13	12	11	10	9	8
	WDDIS		WDRSTEN	WDFIEN	WDV[11:8]			
Access								
Reset	1		1	0	1	1	1	1
Bit	7	6	5	4	3	2	1	0
	WDV[7:0]							
Access								
Reset	1	1	1	1	1	1	1	1

### Bit 29 - WDIDLEHLT Watchdog Idle Halt

Value	Description
0	The RSWDT runs when the system is in idle mode.
1	The RSWDT stops when the system is in idle state.

### Bit 28 - WDDBGHLT Watchdog Debug Halt

Value	Description
0	The RSWDT runs when the processor is in debug state.
1	The RSWDT stops when the processor is in debug state.

**Bits 27:16 - ALLONES[11:0]** Must Always Be Written with 0xFFFF

### Bit 15 - WDDIS Watchdog Disable

Value	Description
0	Enables the RSWDT.
1	Disables the RSWDT.

### Bit 13 - WDRSTEN Watchdog Reset Enable

Value	Description
0	A Watchdog fault (underflow or error) has no effect on the resets.
1	A Watchdog fault (underflow or error) triggers a watchdog reset.

### Bit 12 - WDFIEN Watchdog Fault Interrupt Enable

Value	Description
0	A Watchdog fault (underflow or error) has no effect on interrupt.
1	A Watchdog fault (underflow or error) asserts interrupt.

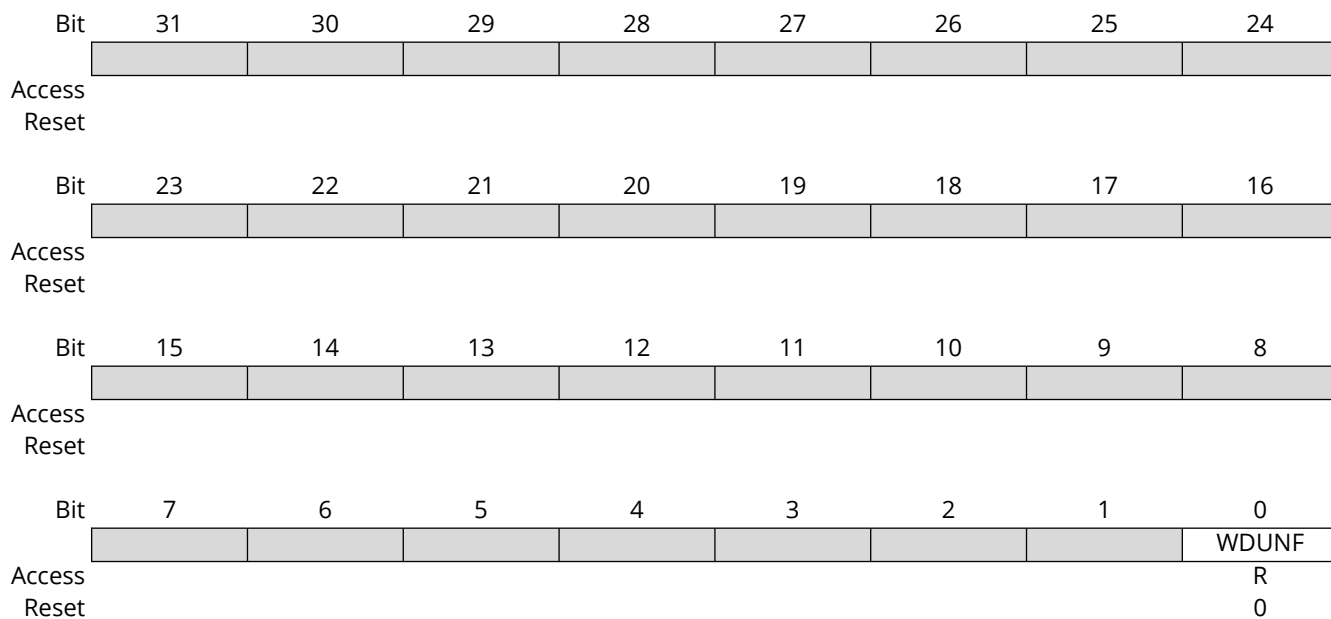
**Bits 11:0 – WDV[11:0]** Watchdog Counter Value

Defines the value loaded in the 12-bit watchdog counter.



### 23.5.3 Reinforced Safety Watchdog Timer Status Register

**Name:** RSWDT\_SR  
**Offset:** 0x08  
**Reset:** 0x00000000  
**Property:** Read-only



#### Bit 0 - WDUNF Watchdog Underflow

Value	Description
0	No watchdog underflow occurred since the last read of RSWDT_SR.
1	At least one watchdog underflow occurred since the last read of RSWDT_SR.

## 24. Reset Controller (RSTC)

### 24.1 Description

The Reset Controller (RSTC), driven by software, external reset pin and peripheral events, handles all the resets of the system without any external components. It reports which reset occurred last.

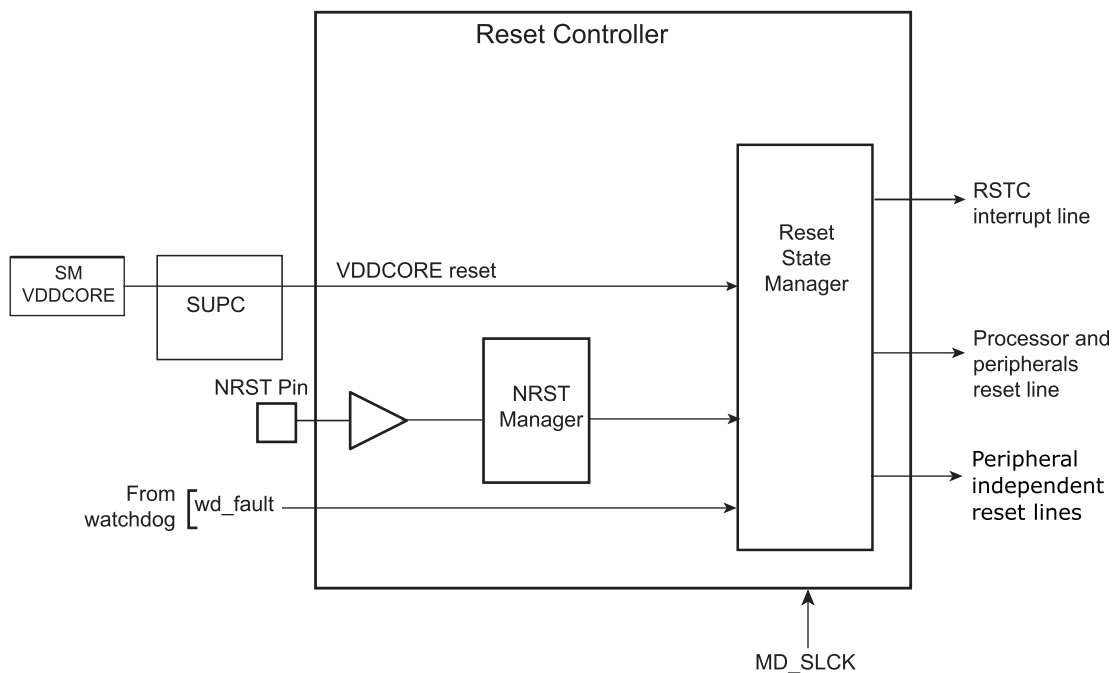
The RSTC also drives simultaneously the peripheral and processor resets. The peripheral resets can be controlled independently.

### 24.2 Embedded Characteristics

- Driven by Software, External Reset Pin and Peripheral Events
- Management of All System Resets, Including
  - Processor
  - Peripheral Set
- Reset Source Status
  - Status of the last reset
  - Either software reset, watchdog reset, 32.768 kHz external slow clock failure detection reset, CPU clock failure detection
- External Reset Signal Control and Shaping

### 24.3 Block Diagram

Figure 24-1. Reset Controller Block Diagram



## 24.4 Functional Description

### 24.4.1 Overview

The RSTC is made up of an NRST manager and a reset state manager. The RSTC clock is MD\_SLCK (monitoring SLCK domain). The RSTC generates the following reset signals:

- `proc_nreset`: Processor reset line (also resets the Watchdog Timer)
- `periph_nreset`: Affects the full set of embedded peripherals
- `periph_n_separate_reset[n]`: Affects the embedded peripheral separately

**Note:** `proc_nreset` and `periph_nreset` are driven in the same way.

These reset signals are asserted by the RSTC, either on events generated by peripherals, events on NRST pin, or on software action. The reset state manager controls the generation of reset signals.

The RSTC Mode register (`RSTC_MR`), used to configure the RSTC, is powered with `VDDCORE`, so that its configuration is saved as long as `VDDCORE` is on.

## 24.4.2 NRST Manager

NRST behaves as an input and the system is held in reset if NRST is tied to GND by an external signal.

The NRST manager samples the NRST input pin.

### 24.4.2.1 NRST Signal

The NRST manager samples the NRST pin at `MD_SLCK` speed.

The NRST pin must be asserted for at least 1 `MD_SLCK` clock cycle to ensure execution of a reset.

## 24.4.3 Reset States

The reset state manager handles the different reset sources and generates the internal reset signals. It reports the reset status in `RSTTYP` of the Status Register (`RSTC_SR`). The update of `RSTC_SR.RSTTYP` is performed when the processor reset is released.

### 24.4.3.1 General Reset

A general reset occurs:

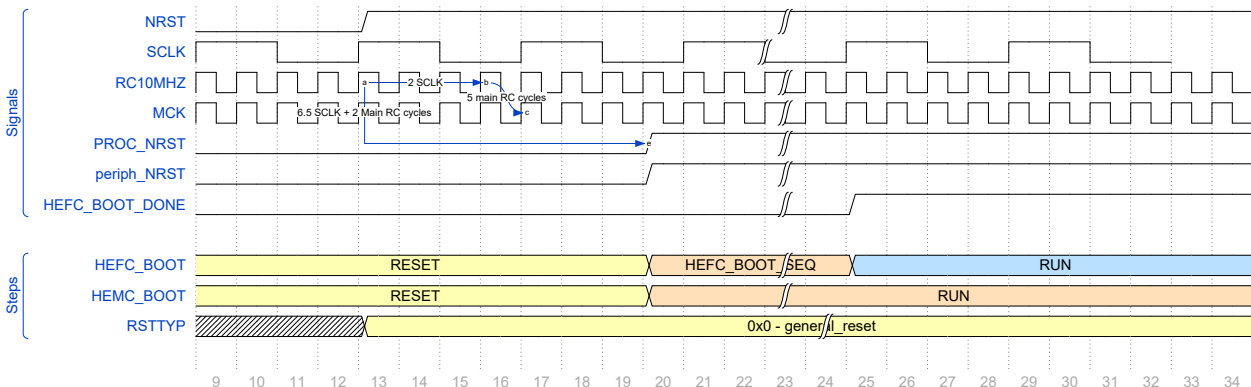
- when a `VDDCORE` fall is detected by the Supply Monitor (`VDDCORE` is not correctly powered externally)
- at an NRST pin request

The `vddcore_nreset` signal is asserted by the Supply Controller when a general reset occurs.

All the reset signals are released and `RSTC_SR.RSTTYP` reports a general reset. As the `RSTC_MR` is written to '0', the NRST line rises two cycles after the `vddcore_nreset`.

The figure below shows how the general reset affects the reset signals.

**Figure 24-2.** General Reset Timing Diagram



### 24.4.3.2 32.768 kHz External Slow Clock Failure Detection Reset

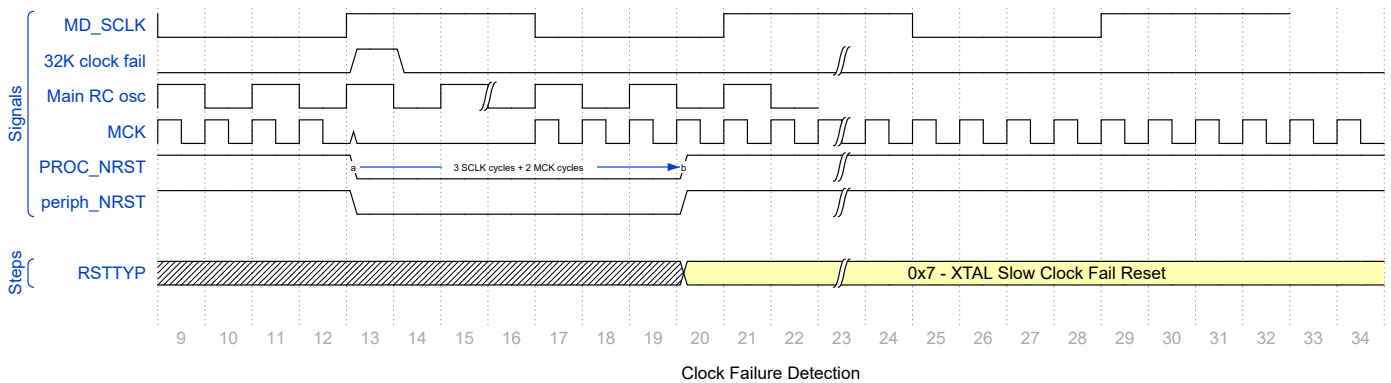
The 32.768 kHz external slow clock failure detection reset is done when the 32.768 kHz external slow clock frequency monitoring circuitry in the PMC detects a failure and RSTC\_MR.SCKSW is written to '1'. This reset lasts three slow clock cycles.

When RSTC\_MR.SCKSW is written to '0', the 32.768 kHz external slow clock fault has no impact on the RSTC.

During the 32.768 kHz external slow clock failure detection reset, the processor reset and the peripheral reset are asserted.

When the 32.768 kHz external slow clock failure generates a VDDCORE reset, PMC\_SR.XT32KERR is automatically cleared by the peripheral and core reset.

**Figure 24-3.** 32.768 kHz External Slow Clock Failure Detection Reset Timing Diagram



### 24.4.3.3 CPU Clock Failure Detection Reset

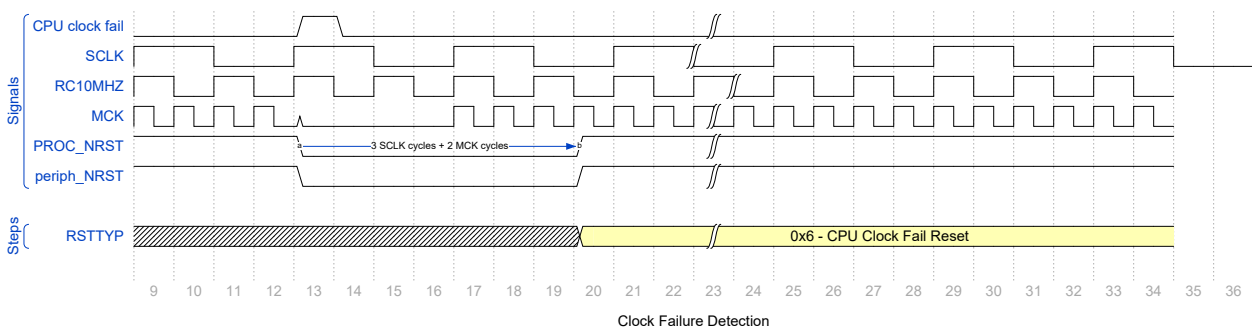
The CPU clock failure detection reset is done when the CPU frequency monitoring circuitry in the PMC detects a failure and RSTC\_MR.SCKSW is written to '1'. This reset lasts three MD\_SLCK cycles.

When RSTC\_MR.SCKSW is written to '0', the 32.768 external slow clock fault has no impact on the RSTC.

During a CPU clock failure detection reset, the processor reset and the peripheral reset are asserted.

When the CPU clock failure generates a VDDCORE reset, PMC\_SR.XT32KERR is automatically cleared by the peripheral and core reset.

**Figure 24-4.** CPU Clock Failure Detection Reset Timing Diagram



### 24.4.3.4 Watchdog Reset

The watchdog reset is entered when a watchdog fault occurs. This reset lasts three MD\_SLCK cycles.

When in watchdog reset, the processor reset and the peripheral reset are asserted.

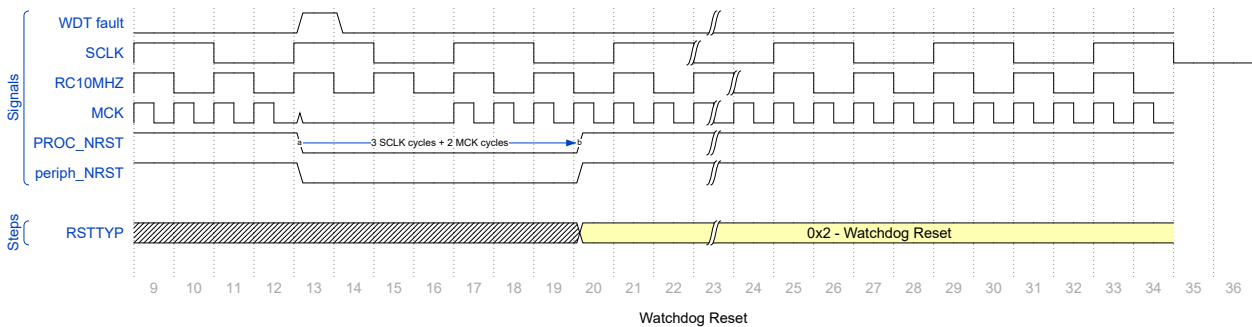
The NWDTx pin indicates if the Watchdog x has expired or not:

- If NWDTx is '1', the WDT expiration does not occur.
- If NWDTx is '0', the WDT expiration occurs.

The Watchdog Timer is reset by the proc\_nreset signal. As the watchdog fault always causes a processor reset if WDT\_MR.WDRSTEN is written to '1', the Watchdog Timer is always reset after a watchdog reset, and the Watchdog is enabled by default and with a period set to a maximum.

When WDT\_MR.WDRSTEN is written to '0', the watchdog fault has no impact on the RSTC.

**Figure 24-5.** Watchdog Reset Timing Diagram



### 24.4.3.5 Software Reset

The RSTC offers commands to assert the different reset signals. These commands are performed by writing the Control register (RSTC\_CR) with the following bits at '1':

- RSTC\_CR.PROCRST: Writing a '1' to PROCRST resets the processor and all the embedded peripherals, including the memory system and, in particular, the Remap Command.
- RSTC\_CR.PERIID and RSTC\_CR.PERIIDON: Writing a '1' to PERIIDON and setting the peripheral identifier in PERIID resets the corresponding peripheral. To reset a peripheral, follow the steps below:
  - a. Deactivate the different clocks of the peripheral to reset.
  - b. Write a '1' to RSTC\_CR.PERIIDON and set the peripheral identifier in RSTC\_CR.PERIID.

Then reactivate the clocks of the peripheral that has been reset.

**CAUTION** The SpaceWire (SpW) must have the clocks activated when the reset is launched.

**Note:** There is a list of peripherals that can be individually reset: SPACE\_WIRE<sub>x</sub>, 1553, CAN<sub>x</sub>, PIO<sub>x</sub>, FlexCOM<sub>x</sub>, PWM<sub>x</sub>, SHA, ICM, TRNG, HEMC, ADC, DAC, PCC, and CRCCU (where x implies several instances are embedded. Each instance can be individually reset).

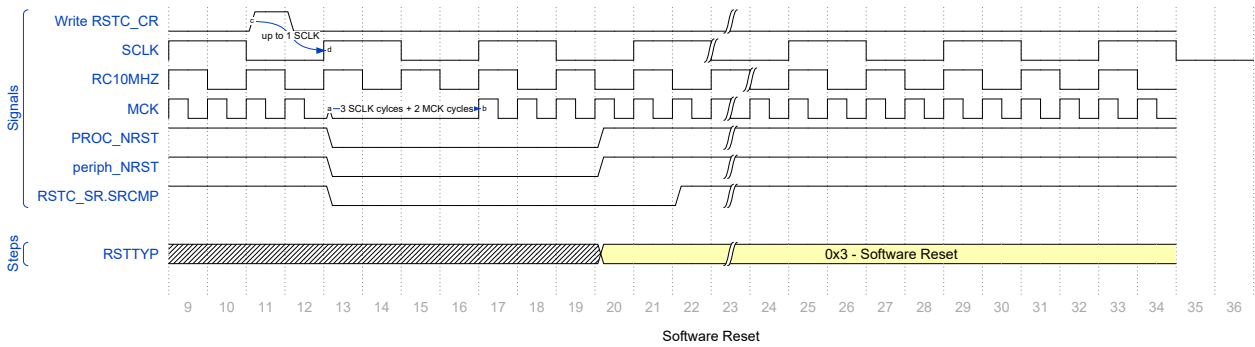
The software reset is entered if at least one of these bits is written to '1' by the software. All these commands can be performed independently or simultaneously. The software reset lasts three MD\_SLCK cycles.

The internal reset signals are asserted as soon as the register write is performed. This is detected on the Master Clock (MCK). They are released when the software reset has ended, i.e., synchronously to MD\_SLCK.

If and only if the RSTC\_CR.PROCRST is written to '1', the RSTC reports the software status in field RSTC\_SR.RSTTYP. Other software resets are not reported in RSTTYP.

As soon as a software operation is detected, RSTC\_SR.SRCMP is written to '1'. SRCMP is cleared at the end of the software reset. No other software reset can be performed while SRCMP is written to '1', and writing any value in the RSTC\_CR has no effect.

**Figure 24-6. Software Reset Timing Diagram**



#### 24.4.4 Reset State Priorities

The reset state manager manages the priorities among the different reset sources. The resets are listed in order of priority as follows:

1. General reset
2. 32.768 kHz External Slow Clock Detection reset
3. CPU Clock Failure Detection reset
4. Watchdog reset
5. Software reset

Specific cases are listed below:

- When in software reset:
  - A watchdog event has priority over the current state.
  - The NRST has no effect.
- When in watchdog reset:
  - The processor reset is active and so a software reset cannot be programmed.

## 24.5 Register Summary

Offset	Name	Bit Pos.	7	6	5	4	3	2	1	0	
0x00	RSTC_CR	7:0				PERIIDON	EXTRST			PROCRST	
		15:8	PERIID[7:0]								
		23:16									
		31:24	KEY[7:0]								
0x04	RSTC_SR	7:0									
		15:8							RSTTYP[2:0]		
		23:16							SRCMP	NRSTL	
		31:24									
0x08	RSTC_MR	7:0					CPUFEN		SCKSW		
		15:8									
		23:16									
		31:24	KEY[7:0]								

## 24.5.1 RSTC Control Register

**Name:** RSTC\_CR  
**Offset:** 0x00  
**Reset:** -  
**Property:** Write-only

Bit	31	30	29	28	27	26	25	24
	KEY[7:0]							
Access	W	W	W	W	W	W	W	W
Reset	-	-	-	-	-	-	-	-
Bit	23	22	21	20	19	18	17	16
Access								
Reset								
Bit	15	14	13	12	11	10	9	8
	PERIID[7:0]							
Access	W	W	W	W	W	W	W	W
Reset	-	-	-	-	-	-	-	-
Bit	7	6	5	4	3	2	1	0
				PERIIDON	EXTRST			PROCRST
Access				W	W			W
Reset				-	-			-

### Bits 31:24 – KEY[7:0] System Reset Key

Value	Name	Description
0xA5	PASSWD	Writing any other value in this field aborts the write operation.

### Bits 15:8 – PERIID[7:0] Peripheral Identifier

Configures the identifier of peripheral to be reset.

**Note:** There is a list of peripherals that can be individually reset: SPACE\_WIRE<sub>x</sub>, 1553, CAN<sub>x</sub>, PIO<sub>x</sub>, FlexCOM<sub>x</sub>, PWM<sub>x</sub>, SHA, ICM, TRNG, HEMC, ADC, DAC, PCC, and CRCCU (where x implies several instances are embedded). Each instance can be individually reset).

### Bit 4 – PERIIDON Peripheral Identifier Validation

Value	Description
0	No effect.
1	Validates the RSTC_CR.PERIID bit field value.

### Bit 3 – EXTRST External Reset

Value	Description
0	No effect.
1	If KEY = 0xA5, asserts the NRST pin.

### Bit 0 – PROCRST Processor Reset

Value	Description
0	No effect.
1	If KEY = 0xA5, resets the processor and all the embedded peripherals.



## 24.5.2 RSTC STATUS Register

**Name:** RSTC\_SR  
**Offset:** 0x04  
**Reset:** 0x00010301  
**Property:** Read-only

The reset value assumes that a general reset has been performed, subject to change if other types of reset are generated.

Bit	31	30	29	28	27	26	25	24
Access								
Reset								
Bit	23	22	21	20	19	18	17	16
Access							SRCMP	NRSTL
Reset							R	R
							0	1
Bit	15	14	13	12	11	10	9	8
Access							RSTTYP[2:0]	
Reset						R	R	R
						0	1	1
Bit	7	6	5	4	3	2	1	0
Access								
Reset								

### Bit 17 – SRCMP Software Reset Command in Progress

When set, this bit indicates that a software reset command is in progress and that no further software reset should be performed until the end of the current one. This bit is automatically cleared at the end of the current software reset.

Value	Description
0	No software command is being performed by the RSTC. The RSTC is ready for a software command.
1	A software reset command is being performed by the RSTC. The RSTC is busy.

### Bit 16 – NRSTL NRST Pin Level

Registers the NRST pin level sampled on each MCK rising edge.

### Bits 10:8 – RSTTYP[2:0] Reset Type

This field reports the cause of the last processor reset. Reading this RSTC\_SR does not reset this field.

Value	Name	Description
0	GENERAL_RST	First power-up reset
1	–	Reserved
2	WDT_RST	Watchdog fault occurred
3	SOFT_RST	Processor reset required by the software
4	–	Reserved
5	–	Reserved
6	CPU_FAIL_RST	CPU clock failure detection occurred
7	SLCK_EXTERN_RST	32.768 kHz external slow clock detection fault occurred

### 24.5.3 RSTC Mode Register

**Name:** RSTC\_MR  
**Offset:** 0x08  
**Reset:** 0x00000001  
**Property:** Read/Write

This register can only be written if the WPEN bit is cleared in the System Controller Write Protection Mode Register (SYSC\_WPMR).

Bit	31	30	29	28	27	26	25	24
	KEY[7:0]							
Access	R/W	R/W	R/W	R/W	R/W	R/W	R/W	R/W
Reset	0	0	0	0	0	0	0	0
Bit	23	22	21	20	19	18	17	16
Access								
Reset								
Bit	15	14	13	12	11	10	9	8
Access								
Reset								
Bit	7	6	5	4	3	2	1	0
Access					CPUFEN		SCKSW	
Reset					R/W 0		R/W 0	

#### Bits 31:24 – KEY[7:0] Write Access Password

Value	Name	Description
0xA5	PASSWD	Writing any other value in this field aborts the write operation. Always reads as 0.

#### Bit 3 – CPUFEN CPU Fail Enable

Value	Description
0	The detection of a CPU clock failure has no effect.
1	The detection of a CPU clock failure resets the logic supplied by VDDCORE.

#### Bit 1 – SCKSW Slow Clock Switching

Value	Description
0	The detection of a 32.768 kHz External Slow clock has no effect.
1	The detection of a 32.768 kHz External Slow clock resets the logic supplied by VDDCORE.

## 25. Real-time Clock (RTC)

### 25.1 Description

The Real-time Clock (RTC) peripheral is designed for very low power consumption. For optimal functionality, the RTC requires an accurate external 32.768 kHz clock, which can be provided by a crystal oscillator.

It combines a complete time-of-day clock with alarm and a Gregorian or Persian calendar, complemented by a programmable periodic interrupt. The alarm and calendar registers are accessed by a 32-bit data bus.

The time and calendar values are coded in binary-coded decimal (BCD) format. The time format can be 24-hour mode or 12-hour mode with an AM/PM indicator. The number of periods of 1/1024 seconds within 1 second is reported. This information allows a timestamping with an accuracy higher than 1 millisecond.

Updating time and calendar fields and configuring the alarm fields are performed by a parallel capture on the 32-bit data bus. An entry control is performed to avoid loading registers with incompatible BCD format data or with an incompatible date according to the current month/year/century.

A clock divider calibration circuitry can be used to compensate for crystal oscillator frequency variations.

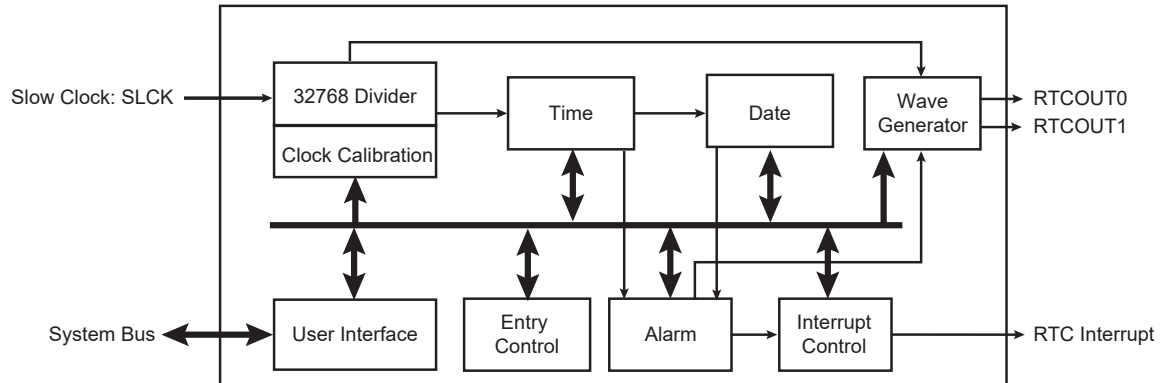
An RTC output can be programmed to generate several waveforms, including a prescaled clock derived from 32.768 kHz.

### 25.2 Embedded Characteristics

- Full Asynchronous Design for Ultra Low Power Consumption
- Gregorian and Persian Modes Supported
- Milliseconds Image Report
- Programmable Periodic Interrupt
- Safety/security Features:
  - Valid Time and Date Programming Check
  - On-The-Fly Time and Date Validity Check
- Counters Calibration Circuitry to Compensate for Crystal Oscillator Variations
- Waveform Generation
- Register Write Protection

## 25.3 Block Diagram

Figure 25-1. Real-time Clock Block Diagram



## 25.4 Product Dependencies

### 25.4.1 Power Management

The Real-time Clock is continuously clocked at 32.768 kHz. The Power Management Controller has no effect on RTC behavior.

### 25.4.2 Interrupt

Within the System Controller, the RTC interrupt is OR-wired with all the other module interrupts.

Only one System Controller interrupt line is connected on one of the internal sources of the interrupt controller.

RTC interrupt requires the interrupt controller to be programmed first.

When a System Controller interrupt occurs, the service routine must first determine the cause of the interrupt. This is done by reading each status register of the System Controller peripherals successively.

## 25.5 Functional Description

The RTC provides a full binary-coded decimal (BCD) clock that includes century (19/20), year (with leap years), month, date, day, hours, minutes and seconds reported in [RTC Time Register \(RTC\\_TIMR\)](#).

The MS field in the [RTC Milliseconds Register \(RTC\\_MSR\)](#) reports the number of periods of 1/1024 seconds elapsed within 1 second. The MS field is cleared at the beginning of each 1-second period.

The MS field can be used for timestamping with an accuracy higher than 1 ms. It can also be post-processed by software to provide the millisecond value. The data in milliseconds can be obtained by multiplying the value read in the MS field by 1000/1024 (for an optimal accuracy, the result must be rounded and not truncated).

The valid year range is up to 2099 in Gregorian mode (or 1300 to 1499 in Persian mode).

The RTC can operate in 24-hour mode or in 12-hour mode with an AM/PM indicator.

Corrections for leap years are included (all years divisible by 4 being leap years except 1900). This is correct up to the year 2099.

The RTC can generate configurable waveforms on RTCOUT0/1 outputs.

### 25.5.1 Reference Clock

The reference clock is the Slow Clock (SLCK) which can be driven internally or by an external 32.768 kHz crystal.

During low-power modes of the processor, the oscillator runs and power consumption is critical. The crystal selection must consider the current consumption for power saving and the frequency drift due to temperature effect on the circuit for time accuracy.

### 25.5.2 Timing

The RTC is updated in real time at one-second intervals in Normal mode for the counters of seconds, at one-minute intervals for the counter of minutes and so on.

Due to the asynchronous operation of the RTC with respect to the rest of the chip, to be certain that the value read in the RTC registers (century, year, month, date, day, hours, minutes, seconds) are valid and stable, it is necessary to read these registers twice. If the data is the same both times, then it is valid. Therefore, a minimum of two and a maximum of three accesses are required.

### 25.5.3 Alarm

The RTC has five programmable fields: month, date, hours, minutes and seconds.

Each of these fields can be enabled or disabled to match the alarm condition:

- If all the fields are enabled, an alarm flag is generated (the corresponding flag is asserted and an interrupt generated if enabled) at a given month, date, hour/minute/second.
- If only the “seconds” field is enabled, then an alarm is generated every minute.

Depending on the combination of fields enabled, a large number of possibilities are available to the user ranging from minutes to 365/366 days.

Hour, minute and second matching alarms (SECEN, MINEN, HOUREN) can be enabled independently of SEC, MIN, HOUR fields.

**Note:** To change one of the SEC, MIN, HOUR, DATE, MONTH fields, it is recommended to disable the field before changing the value and then re-enable it after the change has been made. This requires up to three accesses to the RTC\_TIMALR or RTC\_CALALR. The first access clears the enable corresponding to the field to change (SECEN, MINEN, HOUREN, DATEEN, MTHEN). If the field is already cleared, this access is not required. The second access performs the change of the value (SEC, MIN, HOUR, DATE, MONTH). The third access is required to re-enable the field by writing 1 in SECEN, MINEN, HOUREn, DATEEN, MTHEN fields.

### 25.5.4 Error Checking when Programming

Verification on user interface data is performed when accessing the century, year, month, date, day, hours, minutes, seconds and alarms. A check is performed on illegal BCD entries such as illegal date of the month with regard to the year and century configured.

If one of the time fields is not correct, the data is not loaded into the register/counter and a flag is set in the validity register. The user can not reset this flag. It is reset as soon as an acceptable value is programmed. This avoids any further side effects in the hardware. The same procedure is followed for the alarm.

The following checks are performed:

1. Century (check if it is in range 19–20 or 13–14 in Persian mode)
2. Year (BCD entry check)
3. Date (check range 01–31)
4. Month (check if it is in BCD range 01–12, check validity regarding “date”)
5. Day (check range 1–7)

6. Hour (BCD checks: in 24-hour mode, check range 00–23 and check that AM/PM flag is not set if RTC is set in 24-hour mode; in 12-hour mode check range 01–12)
7. Minute (check BCD and range 00–59)
8. Second (check BCD and range 00–59)

**Note:** If the 12-hour mode is selected by means of the RTC Mode Register (RTC\_MR), a 12-hour value can be programmed and the returned value on RTC\_TIMR will be the corresponding 24-hour value. The entry control checks the value of the AM/PM indicator (bit 22 of RTC\_TIMR) to determine the range to be checked.

### 25.5.5 RTC Internal Free Running Counter Error Checking

To improve the reliability and security of the RTC, a permanent check is performed on the internal free running counters to report non-BCD or invalid date/time values.

An error is reported by TDERR bit in the status register (RTC\_SR) if an incorrect value has been detected. The flag can be cleared by setting the TDERRCLR bit in the Status Clear Command Register (RTC\_SCCR).

The TDERR error flag will be set again if the source of the error has not been cleared before clearing the TDERR flag. The clearing of the source of such error can be done by reprogramming a correct value on RTC\_CALR and/or RTC\_TIMR.

The RTC internal free running counters may automatically clear the source of TDERR due to their roll-over (i.e., every 10 seconds for SECONDS[3:0] field in RTC\_TIMR). In this case the TDERR is held high until a clear command is asserted by TDERRCLR bit in RTC\_SCCR.

### 25.5.6 Updating Time/Calendar

#### 25.5.6.1 Description

The update of the time/calendar must be synchronized on a second periodic event by either polling the RTC\_SR.SEC status bit or by enabling the SECEN interrupt in the RTC\_IER register.

Once the second event occurs, the user must stop the RTC by setting the corresponding field in the Control Register (RTC\_CR). Bit UPDTIM must be set to update time fields (hour, minute, second) and bit UPDCAL must be set to update calendar fields (century, year, month, date, day).

The ACKUPD bit must then be read to 1 by either polling the RTC\_SR or by enabling the ACKUPD interrupt in the RTC\_IER. Once ACKUPD is read to 1, it is mandatory to clear this flag by writing the corresponding bit in the RTC\_SCCR, after which the user can write to the Time Register, the Calendar Register, or both.

Once the update is finished, the user must write UPDTIM and/or UPDCAL to 0 in the RTC\_CR.

The timing sequence of the time/calendar update is described in the figure below.

When entering the programming mode of the calendar fields, the time fields remain enabled and both the time and the calendar fields are stopped. This is due to the location of the calendar logical circuitry (downstream for low-power considerations). It is highly recommended to prepare all the fields to be updated before entering programming mode. In successive update operations, the user must wait for at least one second after resetting the UPDTIM/UPDCAL bit in the RTC\_CR before setting these bits again. This is done by waiting for the SEC flag in the RTC\_SR before setting the UPDTIM/UPDCAL bit. After resetting UPDTIM/UPDCAL, the SEC flag must also be cleared.

Figure 25-2. Time/Calendar Update Timing Diagram

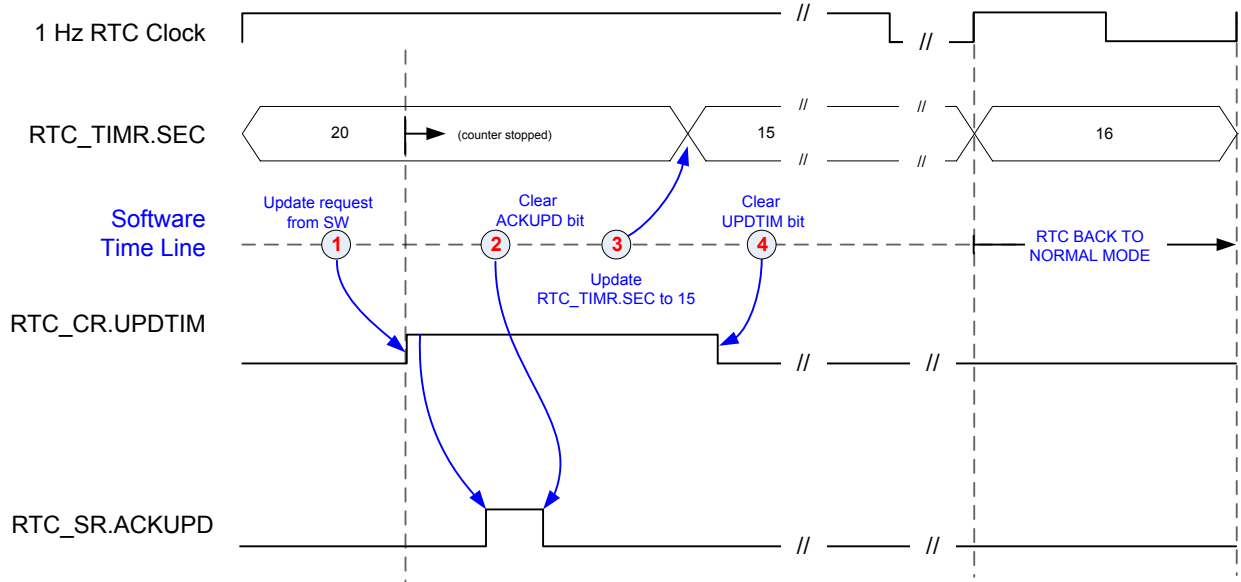
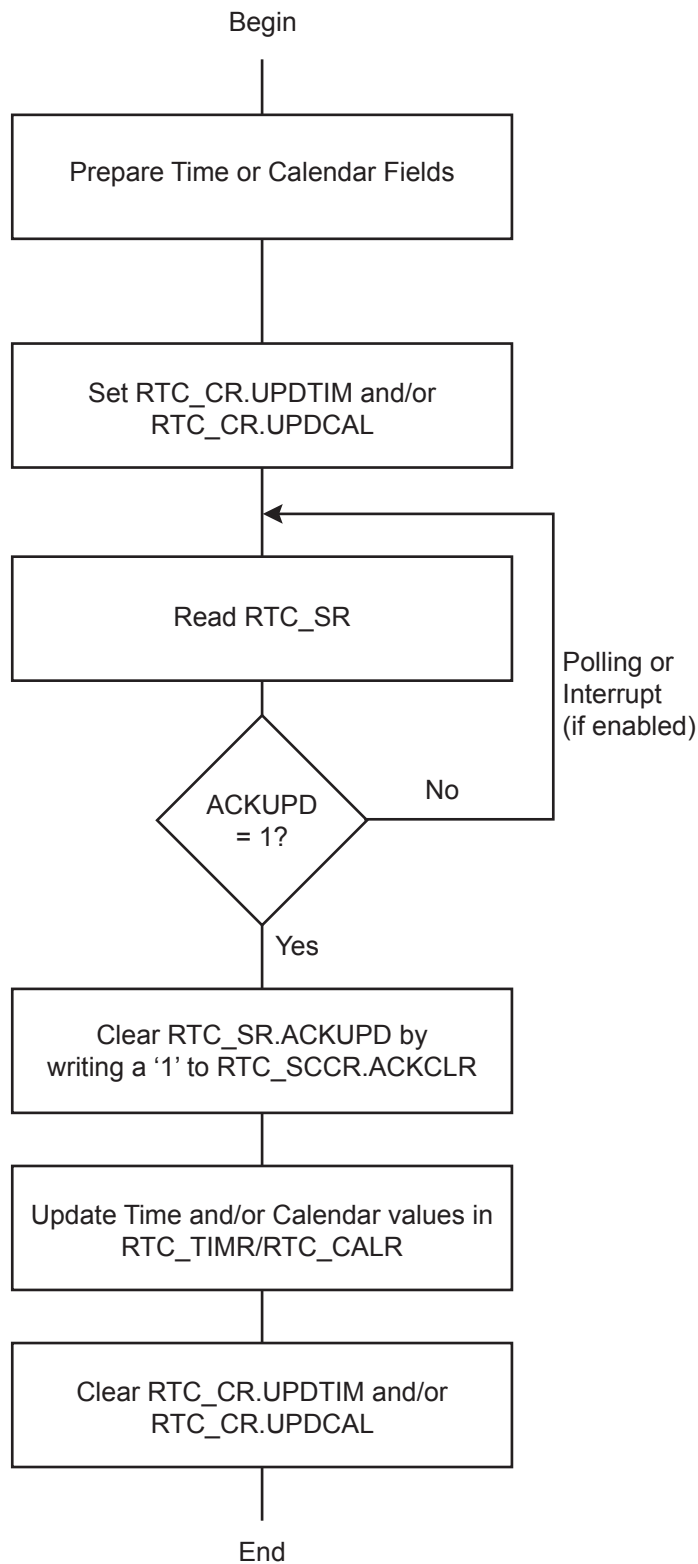


Figure 25-3. Gregorian and Persian Modes Update Sequence





## 25.5.7 RTC Accurate Clock Calibration

The crystal oscillator that drives the RTC may not be as accurate as expected mainly due to temperature variation. The RTC is equipped with circuitry able to correct slow clock crystal drift.

To compensate for possible temperature variations over time, this accurate clock calibration circuitry can be programmed on-the-fly and also programmed during application manufacturing, in order to correct the crystal frequency accuracy at room temperature (20–25°C). The typical clock drift range at room temperature is  $\pm 20$  ppm.

In the device operating temperature range, the 32.768 kHz crystal oscillator clock inaccuracy can be up to -200 ppm.

The RTC clock calibration circuitry allows positive or negative correction in a range of 1.5 ppm to 1950 ppm.

The calibration circuitry is fully digital. Thus, the configured correction is independent of temperature, voltage, process, etc., and no additional measurement is required to check that the correction is effective.

If the correction value configured in the calibration circuitry results from an accurate crystal frequency measure, the remaining accuracy is bounded by the values listed below:

- Below 1 ppm, for an initial crystal drift between 1.5 ppm up to 20 ppm, and from 30 ppm to 90 ppm
- Below 2 ppm, for an initial crystal drift between 20 ppm up to 30 ppm, and from 90 ppm to 130 ppm
- Below 5 ppm, for an initial crystal drift between 130 ppm up to 200 ppm

The calibration circuitry does not modify the 32.768 kHz crystal oscillator clock frequency but it acts by slightly modifying the 1 Hz clock period from time to time. The correction event occurs every  $1 + [(20 - (19 \times \text{HIGHPPM})) \times \text{CORRECTION}]$  seconds. When the period is modified, depending on the sign of the correction, the 1 Hz clock period increases or reduces by around 4 ms. Depending on the CORRECTION, NEGPPM and HIGHPPM values configured in RTC\_MR, the period interval between two correction events differs.

**Figure 25-4.** Calibration Circuitry

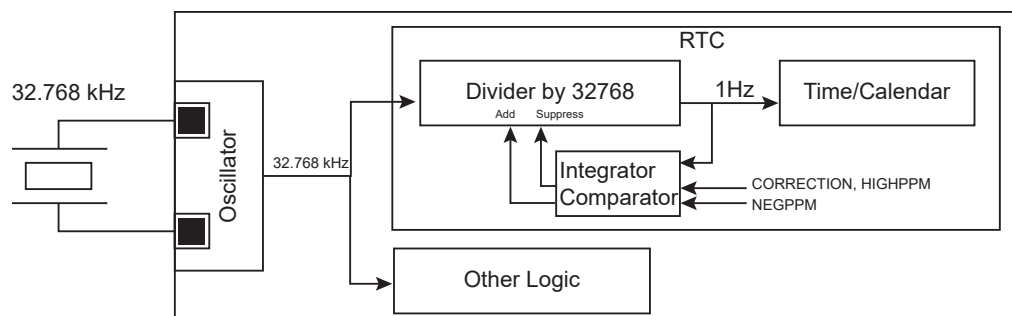
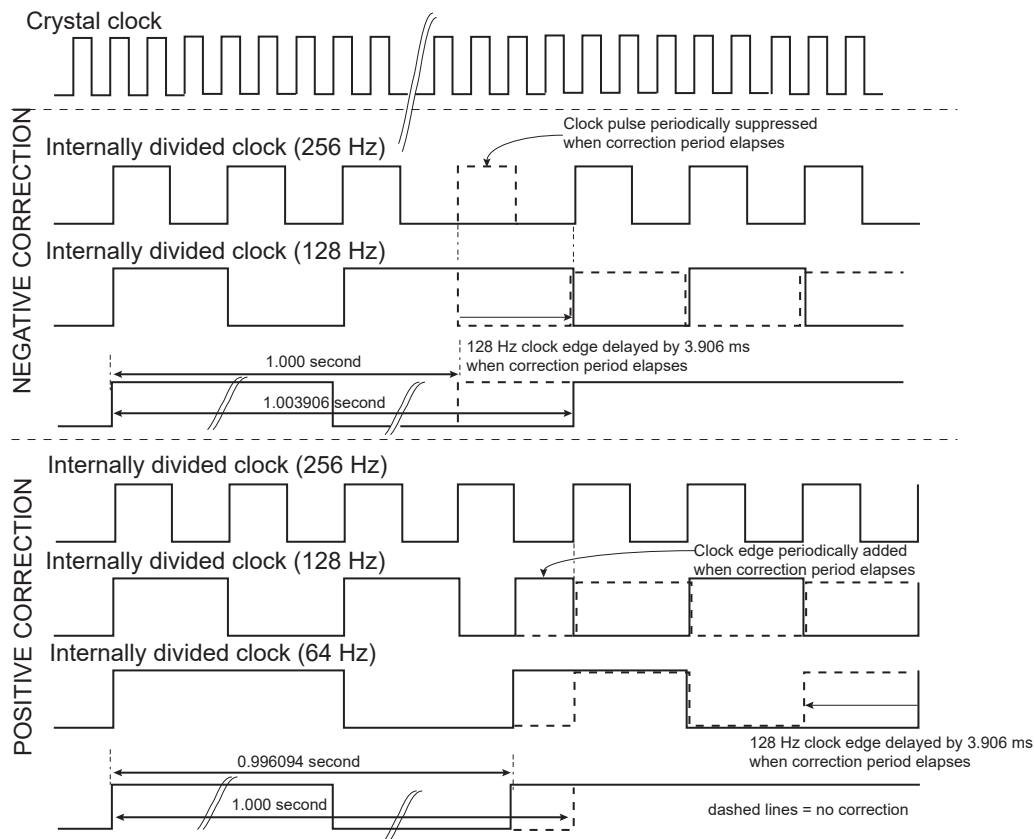
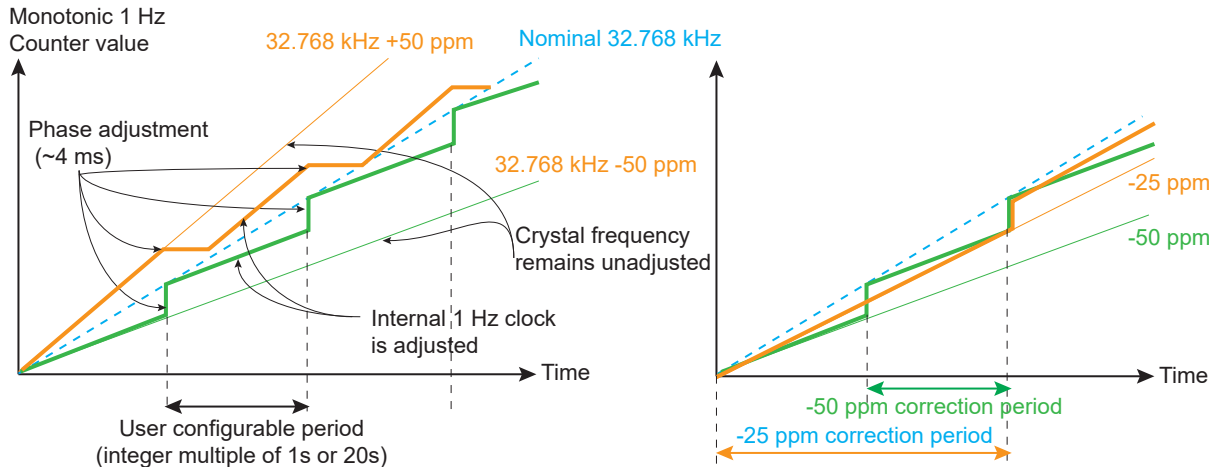


Figure 25-5. Calibration Circuitry Waveforms



The inaccuracy of a crystal oscillator at typical room temperature ( $\pm 20$  ppm at 20–25 °C) can be compensated if a reference clock/signal is used to measure such inaccuracy. This kind of calibration operation can be set up during the final product manufacturing by means of measurement equipment embedding such a reference clock. The correction of value must be programmed into the (RTC\_MR), and this value is kept as long as the circuitry is powered (backup area). Removing the backup power supply cancels this calibration. This room temperature calibration can be further processed by means of the networking capability of the target application.

To ease the comparison of the inherent crystal accuracy with the reference clock/signal during manufacturing, an internal prescaled 32.768 kHz clock derivative signal can be assigned to drive RTC

output. To accommodate the measure, several clock frequencies can be selected among 1 Hz, 32 Hz, 64 Hz, 512 Hz.

The clock calibration correction drives the internal RTC counters but can also be observed in the RTC output when one of the following three frequencies 1 Hz, 32 Hz or 64 Hz is configured. The correction is not visible in the RTC output if 512 Hz frequency is configured.

Note that this adjustment does not take into account the temperature variation.

The frequency drift (up to -200 ppm) due to temperature variation can be compensated using a reference time if the application can access such a reference. If a reference time cannot be used, a temperature sensor can be placed close to the crystal oscillator in order to get the operating temperature of the crystal oscillator. Once obtained, the temperature may be converted using a lookup table (describing the accuracy/temperature curve of the crystal oscillator used) and RTC\_MR configured accordingly. The calibration can be performed on-the-fly. This adjustment method is not based on a measurement of the crystal frequency/drift and therefore can be improved by means of the networking capability of the target application.

If no crystal frequency adjustment has been done during manufacturing, it is still possible to do it. In the case where a reference time of the day can be obtained through LAN/WAN network, it is possible to calculate the drift of the application crystal oscillator by comparing the values read on RTC Time Register (RTC\_TIMR) and programming the HIGHPPM and CORRECTION fields on RTC\_MR according to the difference measured between the reference time and those of RTC\_TIMR.

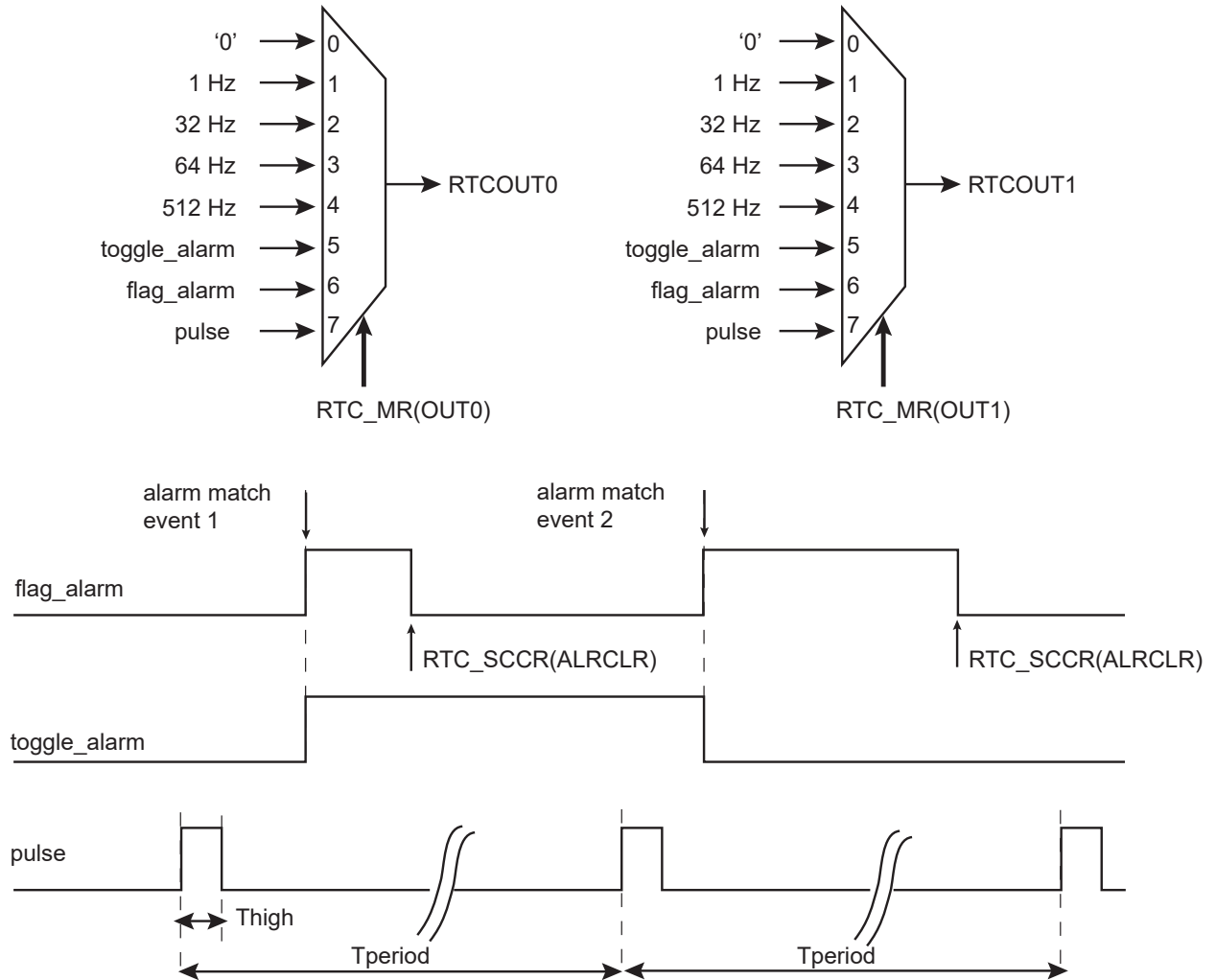
### 25.5.8 Waveform Generation

Waveforms can be generated in order to take advantage of the RTC inherent prescalers while the RTC is the only powered circuitry (Low-power mode of operation, Backup mode) or in any active mode. Entering Backup or Low-power operating modes does not affect the waveform generation outputs.

The outputs RTCOUT0 and RTCOUT1 can be configured to provide several types of waveforms. The figure below illustrates the different signals available to generate RTCOUT0 and RTCOUT1.

PIO lines associated to the RTC outputs automatically select these waveforms as soon as RTC\_MR.OUT0/OUT1 differ from 0 and if RTC\_MR.ENx has been written to 1.

Figure 25-6. Waveform Generation



## 25.6 Register Summary

Offset	Name	Bit Pos.	7	6	5	4	3	2	1	0	
0x00	RTC_CR	7:0							UPDCAL	UPDTIM	
		15:8							TIMEVSEL[1:0]		
		23:16							CALEVSEL[1:0]		
		31:24									
0x04	RTC_MR	7:0				NEGPPM			PERSIAN	HRMOD	
		15:8	HIGHPPM	CORRECTION[6:0]							
		23:16	EN1	OUT1[2:0]			ENO	OUT0[2:0]			
		31:24		TPERIOD[1:0]				THIGH[2:0]			
0x08	RTC_TIMR	7:0					SEC[6:0]				
		15:8					MIN[6:0]				
		23:16		AMPM	HOUR[5:0]						
		31:24									
0x0C	RTC_CALR	7:0		CENT[6:0]							
		15:8	YEAR[7:0]								
		23:16	DAY[2:0]			MONTH[4:0]					
		31:24		DATE[5:0]							
0x10	RTC_TIMALR	7:0	SECEN	SEC[6:0]							
		15:8	MINEN	MIN[6:0]							
		23:16	HOUREN	AMPM	HOUR[5:0]						
		31:24									
0x14	RTC_CALALR	7:0									
		15:8									
		23:16	MTHEN	MONTH[4:0]							
		31:24	DATEEN	DATE[5:0]							
0x18	RTC_SR	7:0			TDERR	CALEV	TIMEV	SEC	ALARM	ACKUPD	
		15:8									
		23:16									
		31:24									
0x1C	RTC_SCCR	7:0			TDERRCLR	CALCLR	TIMCLR	SECCLR	ALRCLR	ACKCLR	
		15:8									
		23:16									
		31:24									
0x20	RTC_IER	7:0			TDERRREN	CALEN	TIMEN	SECEN	ALREN	ACKEN	
		15:8									
		23:16									
		31:24									
0x24	RTC_IDR	7:0			TDERRDIS	CALDIS	TIMDIS	SECDIS	ALRDIS	ACKDIS	
		15:8									
		23:16									
		31:24									
0x28	RTC_IMR	7:0			TDERR	CAL	TIM	SEC	ALR	ACK	
		15:8									
		23:16									
		31:24									
0x2C	RTC_VER	7:0					NVCALALR	NVTIMALR	NVCAL	NVTIM	
		15:8									
		23:16									
		31:24									
0x30 ... 0xCF	Reserved										
0xD0	RTC_MSR	7:0	MS[7:0]								
		15:8							MS[9:8]		
		23:16									
		31:24									

### 25.6.1 RTC Control Register

**Name:** RTC\_CR  
**Offset:** 0x00  
**Reset:** 0x00000000  
**Property:** Read/Write

Bit	31	30	29	28	27	26	25	24
Access								
Reset								
Bit	23	22	21	20	19	18	17	16
Access							CALEVSEL[1:0]	
Reset							R/W	R/W
							0	0
Bit	15	14	13	12	11	10	9	8
Access							TIMEVSEL[1:0]	
Reset							R/W	R/W
							0	0
Bit	7	6	5	4	3	2	1	0
Access							UPDCAL	UPDTIM
Reset							R/W	R/W
							0	0

#### Bits 17:16 – CALEVSEL[1:0] Calendar Event Selection

The event that generates the flag CALEV in RTC\_SR depends on the value of CALEVSEL

Value	Name	Description
0	WEEK	Week change (every Monday at time 00:00:00)
1	MONTH	Month change (every 01 of each month at time 00:00:00)
2	YEAR	Year change (every January 1 at time 00:00:00)
3	YEAR	Reserved

#### Bits 9:8 – TIMEVSEL[1:0] Time Event Selection

The event that generates the flag TIMEV in RTC\_SR depends on the value of TIMEVSEL.

Value	Name	Description
0	MINUTE	Minute change
1	HOUR	Hour change
2	MIDNIGHT	Every day at midnight
3	NOON	Every day at noon

#### Bit 1 – UPDCAL Update Request Calendar Register

Calendar counting consists of day, date, month, year and century counters. Calendar counters can be programmed once this bit is set and acknowledged by the bit ACKUPD of the RTC\_SR.

Value	Description
0	No effect or, if UPDCAL has been previously written to 1, stops the update procedure.
1	Stops the RTC calendar counting.

#### Bit 0 – UPDTIM Update Request Time Register

Time counting consists of second, minute and hour counters. Time counters can be programmed once this bit is set and acknowledged by the bit ACKUPD of the RTC\_SR.

Value	Description
0	No effect or, if UPDTIM has been previously written to 1, stops the update procedure.
1	Stops the RTC time counting.

## 25.6.2 RTC Mode Register

**Name:** RTC\_MR  
**Offset:** 0x04  
**Reset:** 0x00000000  
**Property:** Read/Write

Bit	31	30	29	28	27	26	25	24
			TPERIOD[1:0]				THIGH[2:0]	
Access			R/W	R/W		R/W	R/W	R/W
Reset			0	0		0	0	0
Bit	23	22	21	20	19	18	17	16
	EN1	OUT1[2:0]			ENO	OUT0[2:0]		
Access	R/W	R/W	R/W	R/W	R/W	R/W	R/W	R/W
Reset	0	0	0	0	0	0	0	0
Bit	15	14	13	12	11	10	9	8
	HIGHPPM	CORRECTION[6:0]						
Access	R/W	R/W	R/W	R/W	R/W	R/W	R/W	R/W
Reset	0	0	0	0	0	0	0	0
Bit	7	6	5	4	3	2	1	0
			NEGPPM				PERSIAN	HRMOD
Access			R/W				R/W	R/W
Reset			0				0	0

### Bits 29:28 – TPERIOD[1:0] Period of the Output Pulse

Value	Name	Description
0	P_1S	1 second
1	P_500MS	500 ms
2	P_250MS	250 ms
3	P_125MS	125 ms

### Bits 26:24 – THIGH[2:0] High Duration of the Output Pulse

Value	Name	Description
0	H_31MS	31.2 ms
1	H_16MS	15.6 ms
2	H_4MS	3.91 ms
3	H_976US	976 $\mu$ s
4	H_488US	488 $\mu$ s
5	H_122US	122 $\mu$ s
6	H_30US	30.5 $\mu$ s
7	H_15US	15.2 $\mu$ s

### Bit 23 – EN1 PIO Line Enable

This bit is write-only.

Value	Description
0	The PIO line associated to RTCOUT1 is disabled.
1	The PIO line associated to RTCOUT1 is enabled.

### Bits 22:20 – OUT1[2:0] RTCOUT1 Output Source Selection

Value	Name	Description
0	NO_WAVE	No waveform, stuck at '0'



Value	Name	Description
1	FREQ1HZ	1 Hz square wave
2	FREQ32HZ	32 Hz square wave
3	FREQ64HZ	64 Hz square wave
4	FREQ512HZ	512 Hz square wave
5	ALARM_TOGGLE	Output toggles when alarm flag rises
6	ALARM_FLAG	Output is a copy of the alarm flag
7	PROG_PULSE	Duty cycle programmable pulse

**Bit 19 – EN0** PIO Line Enable  
This bit is write-only.

Value	Description
0	The PIO line associated to RTCOUT0 is disabled.
1	The PIO line associated to RTCOUT0 is enabled.

**Bits 18:16 – OUT0[2:0]** RTCOUT0 OutputSource Selection

Value	Name	Description
0	NO_WAVE	No waveform, stuck at '0'
1	FREQ1HZ	1 Hz square wave
2	FREQ32HZ	32 Hz square wave
3	FREQ64HZ	64 Hz square wave
4	FREQ512HZ	512 Hz square wave
5	ALARM_TOGGLE	Output toggles when alarm flag rises
6	ALARM_FLAG	Output is a copy of the alarm flag
7	PROG_PULSE	Duty cycle programmable pulse

**Bit 15 – HIGHPPM** HIGH PPM Correction

If the absolute value of the correction to be applied is lower than 30 ppm, it is recommended to clear HIGHPPM. HIGHPPM set to 1 is recommended for 30 ppm correction and above.

Formula:

If HIGHPPM = 0, then the clock frequency correction range is from 1.5 ppm up to 98 ppm. The RTC accuracy is less than 1 ppm for a range correction from 1.5 ppm up to 30 ppm.

The correction field must be programmed according to the required correction in ppm; the formula is as follows:

$$\text{CORRECTION} = \frac{3906}{20 \times \text{ppm}} - 1$$

The value obtained must be rounded to the nearest integer prior to being programmed into CORRECTION field.

If HIGHPPM = 1, then the clock frequency correction range is from 30.5 ppm up to 1950 ppm. The RTC accuracy is less than 1 ppm for a range correction from 30.5 ppm up to 90 ppm.

The correction field must be programmed according to the required correction in ppm; the formula is as follows:

$$\text{CORRECTION} = \frac{3906}{\text{ppm}} - 1$$

The value obtained must be rounded to the nearest integer prior to be programmed into CORRECTION field.

If NEGPPM is set to 1, the ppm correction is negative (used to correct crystals that are faster than the nominal 32.768 kHz).

Value	Description
0	Lower range ppm correction with accurate correction.
1	Higher range ppm correction with accurate correction.

**Bits 14:8 – CORRECTION[6:0]** Slow Clock Correction

Value	Description
0	No correction

Value	Description
1-127	The slow clock will be corrected according to the formula given in HIGHPPM description.

**Bit 4 - NEGPPM** Negative PPM Correction

See CORRECTION and HIGHPPM field descriptions.

NEGPPM must be cleared to correct a crystal slower than 32.768 kHz.

Value	Description
0	Positive correction (the divider will be slightly higher than 32768).
1	Negative correction (the divider will be slightly lower than 32768).

**Bit 1 - PERSIAN** PERSIAN Calendar

Value	Description
0	Gregorian calendar.
1	Persian calendar.

**Bit 0 - HRMOD** 12-/24-hour Mode

Value	Description
0	24-hour mode is selected.
1	12-hour mode is selected.

### 25.6.3 RTC Time Register

**Name:** RTC\_TIMR  
**Offset:** 0x08  
**Reset:** 0x00000008  
**Property:** Read/Write

Bit	31	30	29	28	27	26	25	24
Access								
Reset								
Bit	23	22	21	20	19	18	17	16
Access		AMPM	HOUR[5:0]					
Reset		0	0	0	0	0	0	0
Bit	15	14	13	12	11	10	9	8
Access		MIN[6:0]						
Reset		0	0	0	0	0	0	0
Bit	7	6	5	4	3	2	1	0
Access		SEC[6:0]						
Reset		0	0	0	1	0	0	0

#### Bit 22 – AMPM Ante Meridiem Post Meridiem Indicator

This bit is the AM/PM indicator in 12-hour mode.

Value	Description
0	AM.
1	PM.

#### Bits 21:16 – HOUR[5:0] Current Hour

The range that can be set is 1–12 (BCD) in 12-hour mode or 0–23 (BCD) in 24-hour mode.

#### Bits 14:8 – MIN[6:0] Current Minute

The range that can be set is 0–59 (BCD).

The lowest four bits encode the units. The higher bits encode the tens.

#### Bits 6:0 – SEC[6:0] Current Second

The range that can be set is 0–59 (BCD).

The lowest four bits encode the units. The higher bits encode the tens.

## 25.6.4 RTC Calendar Register

**Name:** RTC\_CALR  
**Offset:** 0x0C  
**Reset:** 0x01E11320  
**Property:** Read/Write

Bit	31	30	29	28	27	26	25	24
	DATE[5:0]							
Access			R/W	R/W	R/W	R/W	R/W	R/W
Reset			0	0	0	0	0	1
Bit	23	22	21	20	19	18	17	16
	DAY[2:0]			MONTH[4:0]				
Access	R/W	R/W	R/W	R/W	R/W	R/W	R/W	R/W
Reset	1	1	1	0	0	0	0	1
Bit	15	14	13	12	11	10	9	8
	YEAR[7:0]							
Access	R/W	R/W	R/W	R/W	R/W	R/W	R/W	R/W
Reset	0	0	0	1	0	0	1	1
Bit	7	6	5	4	3	2	1	0
	CENT[6:0]							
Access		R/W	R/W	R/W	R/W	R/W	R/W	R/W
Reset		0	1	0	0	0	0	0

### Bits 29:24 – DATE[5:0] Current Day in Current Month

The range that can be set is 01–31 (BCD).

The lowest four bits encode the units. The higher bits encode the tens.

### Bits 23:21 – DAY[2:0] Current Day in Current Week

The range that can be set is 1–7 (BCD).

The coding of the number (which number represents which day) is user-defined as it has no effect on the date counter.

### Bits 20:16 – MONTH[4:0] Current Month

The range that can be set is 01–12 (BCD).

The lowest four bits encode the units. The higher bits encode the tens.

### Bits 15:8 – YEAR[7:0] Current Year

The range that can be set is 00–99 (BCD).

The lowest four bits encode the units. The higher bits encode the tens.

### Bits 6:0 – CENT[6:0] Current Century

The range that can be set is 19–20 (Gregorian) or 13–14 (Persian) (BCD).

The lowest four bits encode the units. The higher bits encode the tens.

## 25.6.5 RTC Time Alarm Register

**Name:** RTC\_TIMALR  
**Offset:** 0x10  
**Reset:** 0x00000000  
**Property:** Read/Write

To change one of the SEC, MIN, HOUR fields, it is recommended to disable the field before changing the value and then re-enable it after the change has been made. This requires up to three accesses to the RTC\_TIMALR. The first access clears the enable corresponding to the field to change (SECEN, MINEN, HOUREN). If the field is already cleared, this access is not required. The second access performs the change of the value (SEC, MIN, HOUR). The third access is required to re-enable the field by writing 1 in SECEN, MINEN, HOUREN fields.

Bit	31	30	29	28	27	26	25	24
Access								
Reset								
Bit	23	22	21	20	19	18	17	16
Access	HOUREN	AMPM	HOUR[5:0]					
Reset	R/W	R/W	R/W	R/W	R/W	R/W	R/W	R/W
Reset	0	0	0	0	0	0	0	0
Bit	15	14	13	12	11	10	9	8
Access	MINEN	MIN[6:0]						
Reset	R/W	R/W	R/W	R/W	R/W	R/W	R/W	R/W
Reset	0	0	0	0	0	0	0	0
Bit	7	6	5	4	3	2	1	0
Access	SECEN	SEC[6:0]						
Reset	R/W	R/W	R/W	R/W	R/W	R/W	R/W	R/W
Reset	0	0	0	0	0	0	0	0

### Bit 23 – HOUREN Hour Alarm Enable

Value	Description
0	The hour-matching alarm is disabled.
1	The hour-matching alarm is enabled.

### Bit 22 – AMPM AM/PM Indicator

This field is the alarm field corresponding to the BCD-coded hour counter.

### Bits 21:16 – HOUR[5:0] Hour Alarm

This field is the alarm field corresponding to the BCD-coded hour counter.

### Bit 15 – MINEN Minute Alarm Enable

Value	Description
0	The minute-matching alarm is disabled.
1	The minute-matching alarm is enabled.

### Bits 14:8 – MIN[6:0] Minute Alarm

This field is the alarm field corresponding to the BCD-coded minute counter.

### Bit 7 – SECEN Second Alarm Enable

Value	Description
0	The second-matching alarm is disabled.
1	The second-matching alarm is enabled.

**Bits 6:0 – SEC[6:0] Second Alarm**

This field is the alarm field corresponding to the BCD-coded second counter.

## 25.6.6 RTC Calendar Alarm Register

**Name:** RTC\_CALALR  
**Offset:** 0x14  
**Reset:** 0x01010000  
**Property:** Read/Write

To change one of the DATE, MONTH fields, it is recommended to disable the field before changing the value and then re-enable it after the change has been made. This requires up to three accesses to the RTC\_CALALR. The first access clears the enable corresponding to the field to change (DATEEN, MTHEN). If the field is already cleared, this access is not required. The second access performs the change of the value (DATE, MONTH). The third access is required to re-enable the field by writing 1 in DATEEN, MTHEN fields.

Bit	31	30	29	28	27	26	25	24	
	DATEEN		DATE[5:0]						
Access	R/W		R/W	R/W	R/W	R/W	R/W	R/W	
Reset	0		0	0	0	0	0	1	
Bit	23	22	21	20	19	18	17	16	
	MTHEN			MONTH[4:0]					
Access	R/W			R/W	R/W	R/W	R/W	R/W	
Reset	0			0	0	0	0	1	
Bit	15	14	13	12	11	10	9	8	
Access									
Reset									
Bit	7	6	5	4	3	2	1	0	
Access									
Reset									

### Bit 31 – DATEEN Date Alarm Enable

Value	Description
0	The date-matching alarm is disabled.
1	The date-matching alarm is enabled.

### Bits 29:24 – DATE[5:0] Date Alarm

This field is the alarm field corresponding to the BCD-coded date counter.

### Bit 23 – MTHEN Month Alarm Enable

Value	Description
0	The month-matching alarm is disabled.
1	The month-matching alarm is enabled.

### Bits 20:16 – MONTH[4:0] Month Alarm

This field is the alarm field corresponding to the BCD-coded month counter.

## 25.6.7 RTC Status Register

**Name:** RTC\_SR  
**Offset:** 0x18  
**Reset:** 0x00000000  
**Property:** Read-only

Bit	31	30	29	28	27	26	25	24
Access								
Reset								
Bit	23	22	21	20	19	18	17	16
Access								
Reset								
Bit	15	14	13	12	11	10	9	8
Access								
Reset								
Bit	7	6	5	4	3	2	1	0
Access			TDERR	CALEV	TIMEV	SEC	ALARM	ACKUPD
Reset			R	R	R	R	R	R
			0	0	0	0	0	0

### Bit 5 – TDERR Time and/or Date Free Running Error

If the RTC is configured in UTC mode, the value returned by this field is not relevant.

Value	Name	Description
0	CORRECT	The internal free running counters are carrying valid values since the last read of the Status register (RTC_SR).
1	ERR_TIMEDATE	The internal free running counters have been corrupted (invalid date or time, non-BCD values) since the last read and/or they are still invalid.

### Bit 4 – CALEV Calendar Event

The calendar event is selected in RTC\_CR.TIMEVSEL and can be any one of the following events: week change, month change and year change. If the RTC is configured in UTC mode, the value returned by this field is not relevant.

Value	Name	Description
0	NO_CALEVENT	No calendar event has occurred since the last clear.
1	CALEVENT	At least one calendar event has occurred since the last clear.

### Bit 3 – TIMEV Time Event

The time event is selected in RTC\_CR.TIMEVSEL and can be any one of the following events: minute change, hour change, noon, midnight (day change). If the RTC is configured in UTC mode, the value returned by this field is not relevant.

Value	Name	Description
0	NO_TIMEEVENT	No time event has occurred since the last clear.
1	TIMEEVENT	At least one time event has occurred since the last clear.

### Bit 2 – SEC Second Event

Value	Name	Description
0	NO_SECEVENT	No second event has occurred since the last clear.



Value	Name	Description
1	SECEVENT	At least one second event has occurred since the last clear.

**Bit 1 - ALARM** Alarm Flag

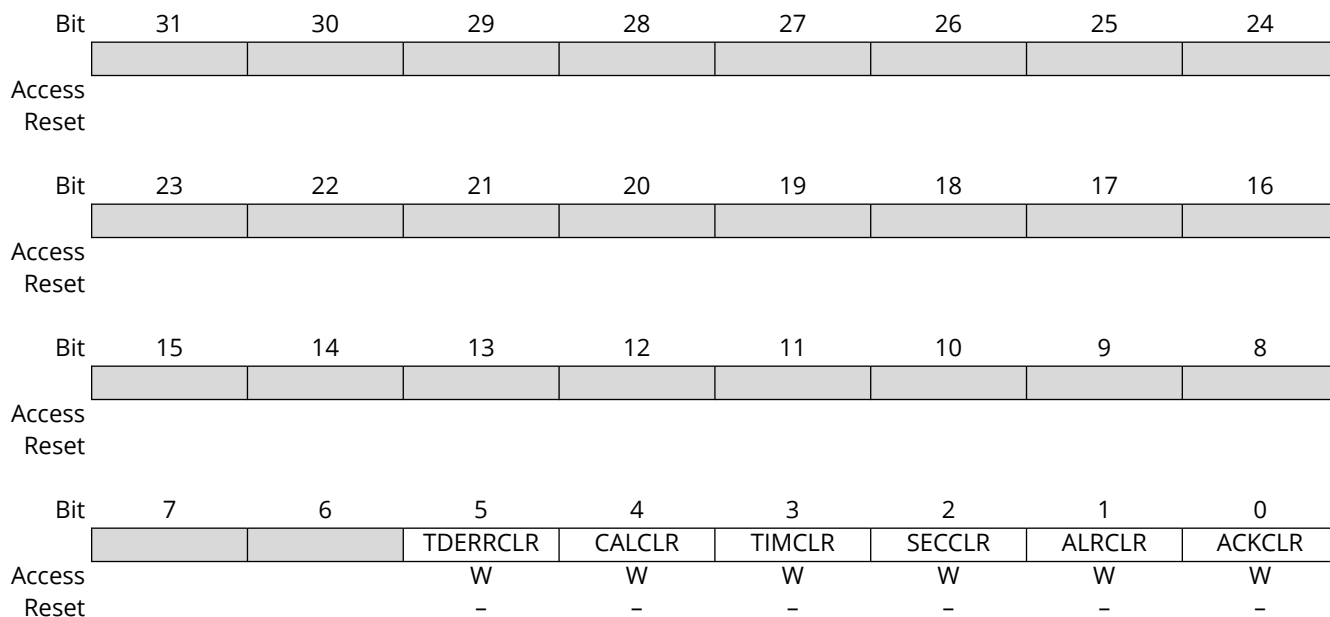
Value	Name	Description
0	NO_ALARMEVENT	No alarm matching condition occurred.
1	ALARMEVENT	An alarm matching condition has occurred.

**Bit 0 - ACKUPD** Acknowledge for Update

Value	Name	Description
0	FREERUN	Time and calendar registers cannot be updated.
1	UPDATE	Time and calendar registers can be updated.

## 25.6.8 RTC Status Clear Command Register

**Name:** RTC\_SCCR  
**Offset:** 0x1C  
**Reset:** -  
**Property:** Write-only



### Bit 5 - TDERRCLR Time and/or Date Free Running Error Clear

Value	Description
0	No effect.
1	Clears corresponding status flag in the Status Register (RTC_SR).

### Bit 4 - CALCLR Calendar Clear

Value	Description
0	No effect.
1	Clears corresponding status flag in the Status Register (RTC_SR).

### Bit 3 - TIMCLR Time Clear

Value	Description
0	No effect.
1	Clears corresponding status flag in the Status Register (RTC_SR).

### Bit 2 - SECCLR Second Clear

Value	Description
0	No effect.
1	Clears corresponding status flag in the Status Register (RTC_SR).

### Bit 1 - ALRCLR Alarm Clear

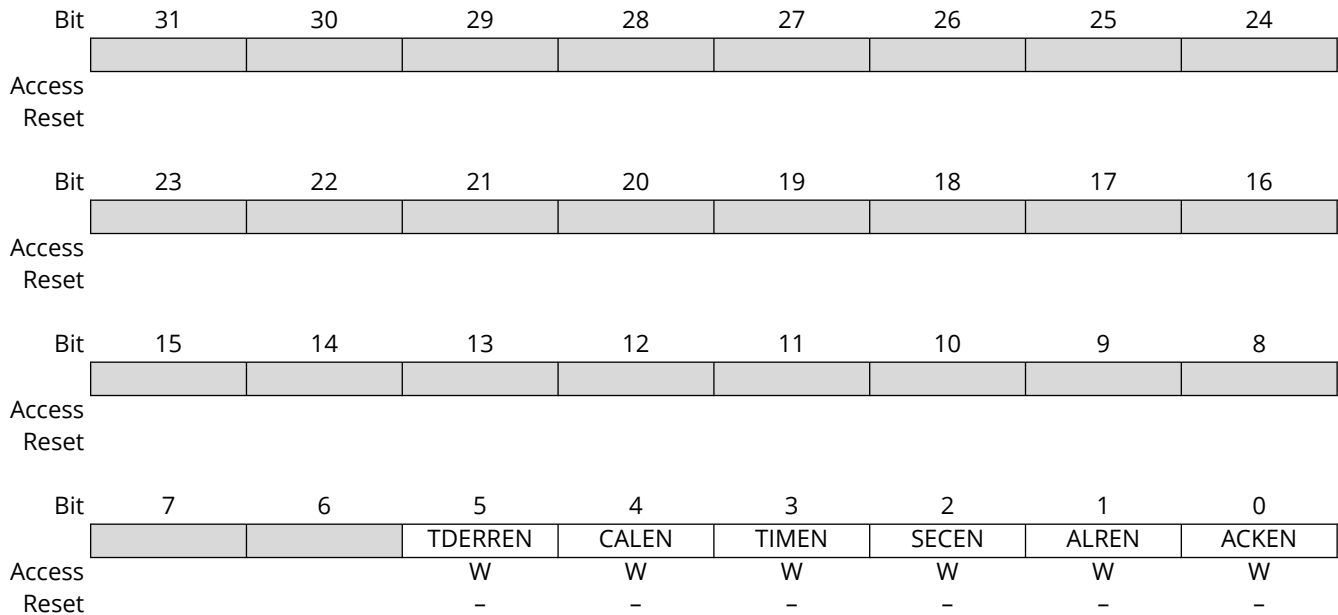
Value	Description
0	No effect.
1	Clears corresponding status flag in the Status Register (RTC_SR).

### Bit 0 - ACKCLR Acknowledge Clear

Value	Description
0	No effect.
1	Clears corresponding status flag in the Status Register (RTC_SR).

## 25.6.9 RTC Interrupt Enable Register

**Name:** RTC\_IER  
**Offset:** 0x20  
**Reset:** -  
**Property:** Write-only



### Bit 5 – TDERREN Time and/or Date Error Interrupt Enable

Value	Description
0	No effect.
1	The time and date error interrupt is enabled.

### Bit 4 – CALEN Calendar Event Interrupt Enable

Value	Description
0	No effect.
1	The selected calendar event interrupt is enabled.

### Bit 3 – TIMEN Time Event Interrupt Enable

Value	Description
0	No effect.
1	The selected time event interrupt is enabled.

### Bit 2 – SECEN Second Event Interrupt Enable

Value	Description
0	No effect.
1	The second periodic interrupt is enabled.

### Bit 1 – ALREN Alarm Interrupt Enable

Value	Description
0	No effect.
1	The alarm interrupt is enabled.

### Bit 0 – ACKEN Acknowledge Update Interrupt Enable

Value	Description
0	No effect.
1	The acknowledge for update interrupt is enabled.

## 25.6.10 RTC Interrupt Disable Register

**Name:** RTC\_IDR  
**Offset:** 0x24  
**Reset:** -  
**Property:** Write-only

Bit	31	30	29	28	27	26	25	24
Access								
Reset								
Bit	23	22	21	20	19	18	17	16
Access								
Reset								
Bit	15	14	13	12	11	10	9	8
Access								
Reset								
Bit	7	6	5	4	3	2	1	0
Access			TDERRDIS	CALDIS	TIMDIS	SECDIS	ALRDIS	ACKDIS
Reset			W	W	W	W	W	W
			-	-	-	-	-	-

### Bit 5 – TDERRDIS Time and/or Date Error Interrupt Disable

Value	Description
0	No effect.
1	The time and date error interrupt is disabled.

### Bit 4 – CALDIS Calendar Event Interrupt Disable

Value	Description
0	No effect.
1	The selected calendar event interrupt is disabled.

### Bit 3 – TIMDIS Time Event Interrupt Disable

Value	Description
0	No effect.
1	The selected time event interrupt is disabled.

### Bit 2 – SECDIS Second Event Interrupt Disable

Value	Description
0	No effect.
1	The second periodic interrupt is disabled.

### Bit 1 – ALRDIS Alarm Interrupt Disable

Value	Description
0	No effect.
1	The alarm interrupt is disabled.

### Bit 0 – ACKDIS Acknowledge Update Interrupt Disable

Value	Description
0	No effect.
1	The acknowledge for update interrupt is disabled.

## 25.6.11 RTC Interrupt Mask Register

**Name:** RTC\_IMR  
**Offset:** 0x28  
**Reset:** 0x00000000  
**Property:** Read-only

Bit	31	30	29	28	27	26	25	24
Access								
Reset								
Bit	23	22	21	20	19	18	17	16
Access								
Reset								
Bit	15	14	13	12	11	10	9	8
Access								
Reset								
Bit	7	6	5	4	3	2	1	0
Access			TDERR	CAL	TIM	SEC	ALR	ACK
Reset			R	R	R	R	R	R
			0	0	0	0	0	0

### Bit 5 – TDERR Time and/or Date Error Mask

Value	Description
0	The time and/or date error event is disabled.
1	The time and/or date error event is enabled.

### Bit 4 – CAL Calendar Event Interrupt Mask

Value	Description
0	The selected calendar event interrupt is disabled.
1	The selected calendar event interrupt is enabled.

### Bit 3 – TIM Time Event Interrupt Mask

Value	Description
0	The selected time event interrupt is disabled.
1	The selected time event interrupt is enabled.

### Bit 2 – SEC Second Event Interrupt Mask

Value	Description
0	The second periodic interrupt is disabled.
1	The second periodic interrupt is enabled.

### Bit 1 – ALR Alarm Interrupt Mask

Value	Description
0	The alarm interrupt is disabled.
1	The alarm interrupt is enabled.

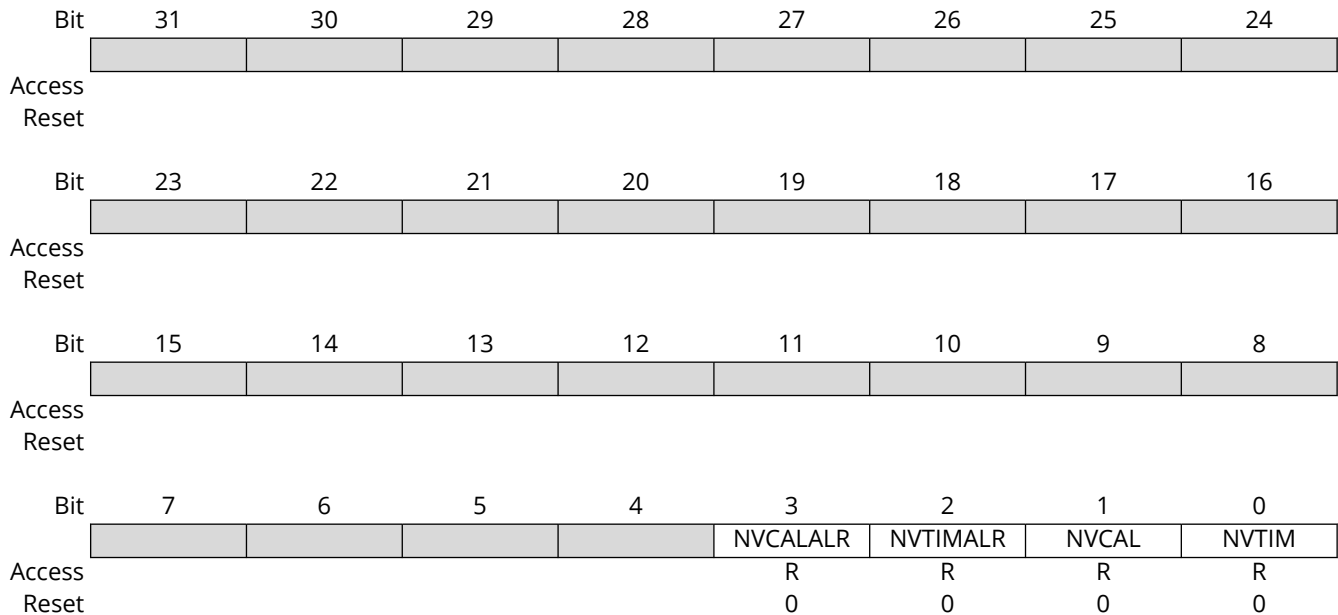
### Bit 0 – ACK Acknowledge Update Interrupt Mask



Value	Description
0	The acknowledge for update interrupt is disabled.
1	The acknowledge for update interrupt is enabled.

## 25.6.12 RTC Valid Entry Register

**Name:** RTC\_VER  
**Offset:** 0x2C  
**Reset:** 0x00000000  
**Property:** Read-only



### Bit 3 - NVCALALR Non-valid Calendar Alarm

Value	Description
0	No invalid data has been detected in RTC_CALALR (Calendar Alarm Register).
1	RTC_CALALR has contained invalid data since it was last programmed.

### Bit 2 - NVTIMALR Non-valid Time Alarm

Value	Description
0	No invalid data has been detected in RTC_TIMALR (Time Alarm Register).
1	RTC_TIMALR has contained invalid data since it was last programmed.

### Bit 1 - NVCAL Non-valid Calendar

Value	Description
0	No invalid data has been detected in RTC_CALR (Calendar Register).
1	RTC_CALR has contained invalid data since it was last programmed.

### Bit 0 - NVTIM Non-valid Time

Value	Description
0	No invalid data has been detected in RTC_TIMR (Time Register).
1	RTC_TIMR has contained invalid data since it was last programmed.

### 25.6.13 RTC Milliseconds Register

**Name:** RTC\_MSR  
**Offset:** 0xD0  
**Reset:** 0x00000000  
**Property:** Read-only

Bit	31	30	29	28	27	26	25	24
Access								
Reset								
Bit	23	22	21	20	19	18	17	16
Access								
Reset								
Bit	15	14	13	12	11	10	9	8
Access							MS[9:8]	
Reset							R	R
							0	0
Bit	7	6	5	4	3	2	1	0
Access	MS[7:0]							
Reset	R	R	R	R	R	R	R	R
	0	0	0	0	0	0	0	0

**Bits 9:0 – MS[9:0]** Number of 1/1024 seconds elapsed within 1 second

This field reports a multiple of 1/1024 seconds. The field is synchronized with the fields reported in RTC\_TIMR. Thus the MS field is cleared after each elapsed second. This field is incremented monotonically over a period of 1 second and can be used for timestamping with an accuracy better than 1 millisecond.

## 26. Real-time Timer (RTT)

### 26.1 Description

The Real-time Timer (RTT) is built around a 32-bit counter used to count roll-over events of the programmable 16-bit prescaler driven from the 32-kHz slow clock source. It generates a periodic interrupt and/or triggers an alarm on a programmed value.

The RTT can also be configured to be driven by the 1Hz RTC signal, thus taking advantage of a calibrated 1Hz clock.

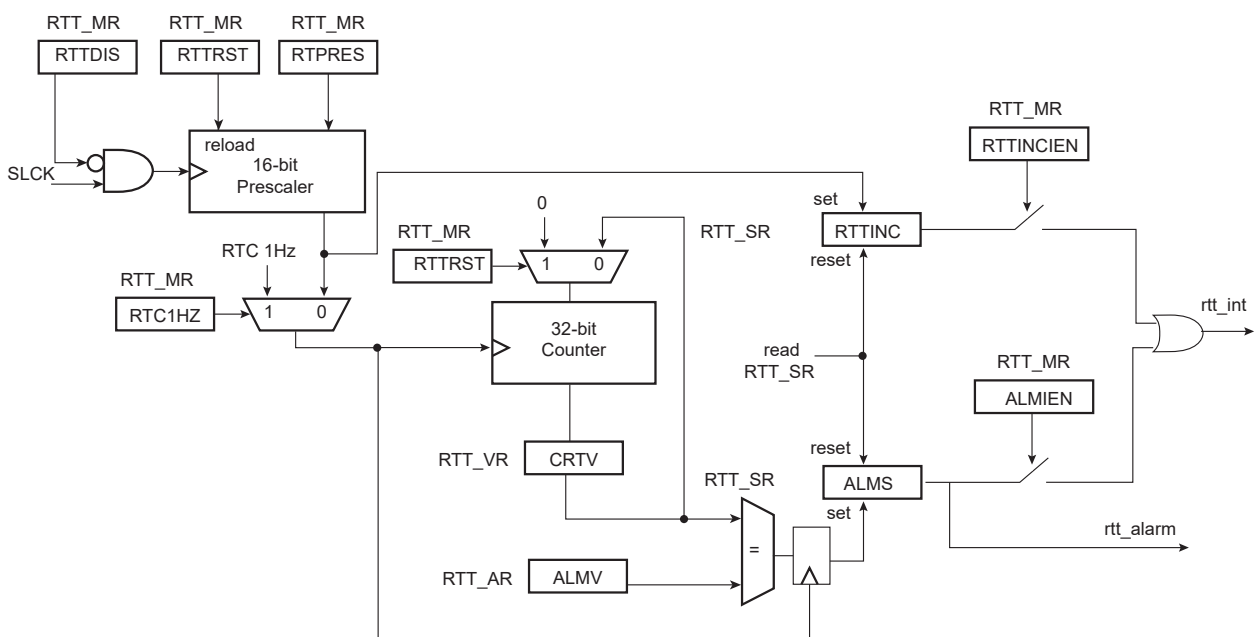
The slow clock source can be fully disabled to reduce power consumption when only an elapsed seconds count is required.

### 26.2 Embedded Characteristics

- 32-bit Free-running Counter on prescaled slow clock or RTC calibrated 1Hz clock
- 16-bit Configurable Prescaler
- Interrupt on Alarm or Counter Increment

### 26.3 Block Diagram

Figure 26-1. Real-time Timer Block Diagram



### 26.4 Functional Description

The programmable 16-bit prescaler value can be configured through the RTPRES field in the RTT Mode register (RTT\_MR).

Configuring the RTPRES field value to 0x8000 (default value) corresponds to feeding the real-time counter with a 1Hz signal (if the slow clock is 32.768 kHz). The 32-bit counter can count up to  $2^{32}$  seconds, corresponding to more than 136 years, then roll over to 0. Bit RTTINC in the RTT Status Register (RTT\_SR) is set each time there is a prescaler roll-over.

The real-time 32-bit counter can also be supplied by the 1Hz RTC clock. This mode is interesting when the RTC 1Hz is calibrated (CORRECTION field  $\neq 0$  in RTC\_MR) in order to guaranty the synchronism between RTC and RTT counters.

Setting the RTC1HZ bit in the RTT\_MR drives the 32-bit RTT counter from the 1Hz RTC clock. In this mode, the RTPRES field has no effect on the 32-bit counter.

The prescaler roll-over generates an increment of the real-time timer counter if RTC1HZ = 0. Otherwise, if RTC1HZ = 1, the RTT counter is incremented every second. The RTTINC bit is set independently from the 32-bit counter increment.

The RTT can also be used as a free-running timer with a lower time-base. The best accuracy is achieved by writing RTPRES to 3 in RTT\_MR.

Programming RTPRES to 1 or 2 is forbidden.

If the RTT is configured to trigger an interrupt, the interrupt occurs two slow clock cycles after reading the RTT\_SR. To prevent several executions of the interrupt handler, the interrupt must be disabled in the interrupt handler and re-enabled when the RTT\_SR is cleared.

The CRTV field can be read at any time in the RTT Value register (RTT\_VR). As this value can be updated asynchronously with the Master Clock, the CRTV field must be read twice at the same value to read a correct value.

The current value of the counter is compared with the value written in the RTT Alarm register (RTT\_AR). If the counter value matches the alarm, the ALMS bit in the RTT\_SR is set. The RTT\_AR is set to its maximum value (0xFFFFFFFF) after a reset.

The ALMS flag is always a source of the RTT alarm signal that may be used to exit the system from low power modes (see the Real-time Timer Block Diagram above).

The alarm interrupt must be disabled (ALMIEN must be cleared in RTT\_MR) when writing a new ALMV value in the RTT\_AR.

The RTTINC bit can be used to start a periodic interrupt, the period being one second when the RTPRES field value = 0x8000 and the slow clock = 32.768 kHz.

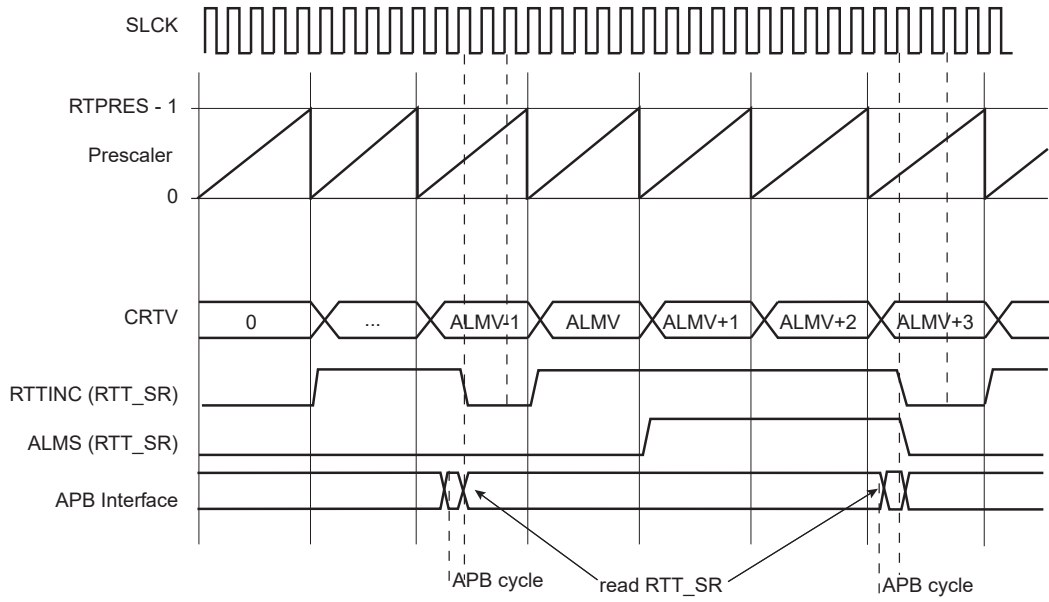
The RTTINCIEN bit must be cleared prior to writing a new RTPRES value in the RTT\_MR.

Reading the RTT\_SR automatically clears the RTTINC and ALMS bits.

Writing the RTTRST bit in the RTT\_MR immediately reloads and restarts the clock divider with the new programmed value. This also resets the 32-bit counter.

When not used, the RTT can be disabled in order to suppress dynamic power consumption in this module. This can be achieved by setting the RTTDIS bit in the RTT\_MR.

Figure 26-2. RTT Counting



## 26.5 Register Summary

Offset	Name	Bit Pos.	7	6	5	4	3	2	1	0
0x00	RTT_MR	7:0	RTPRES[7:0]							
		15:8	RTPRES[15:8]							
		23:16				RTTDIS		RTRRST	RTTINCIEN	ALMIEN
		31:24								RTC1HZ
0x04	RTT_AR	7:0	ALMV[7:0]							
		15:8	ALMV[15:8]							
		23:16	ALMV[23:16]							
		31:24	ALMV[31:24]							
0x08	RTT_VR	7:0	CRTV[7:0]							
		15:8	CRTV[15:8]							
		23:16	CRTV[23:16]							
		31:24	CRTV[31:24]							
0x0C	RTT_SR	7:0							RTTINC	ALMS
		15:8								
		23:16								
		31:24								

## 26.5.1 Real-time Timer Mode Register

**Name:** RTT\_MR  
**Offset:** 0x00  
**Reset:** 0x00008000  
**Property:** Read/Write

This register can only be written if the WPEN bit is cleared in the System Controller Write Protection Mode Register (SYSC\_WPMR).

Bit	31	30	29	28	27	26	25	24	
								RTC1HZ	
Access								R/W	
Reset								0	
Bit	23	22	21	20	19	18	17	16	
			RTTDIS				RTTRST	RTTINCIEN	ALMIEN
Access			R/W				R/W	R/W	R/W
Reset			0				0	0	0
Bit	15	14	13	12	11	10	9	8	
	RTPRES[15:8]								
Access	R/W	R/W	R/W	R/W	R/W	R/W	R/W	R/W	
Reset	1	0	0	0	0	0	0	0	
Bit	7	6	5	4	3	2	1	0	
	RTPRES[7:0]								
Access	R/W	R/W	R/W	R/W	R/W	R/W	R/W	R/W	
Reset	0	0	0	0	0	0	0	0	

### Bit 24 – RTC1HZ Real-Time Clock 1Hz Clock Selection

Value	Description
0	The RTT 32-bit counter is driven by the 16-bit prescaler roll-over events.
1	The RTT 32-bit counter is driven by the 1Hz RTC clock.

### Bit 20 – RTTDIS Real-time Timer Disable

Value	Description
0	The RTT is enabled.
1	The RTT is disabled (no dynamic power consumption).

### Bit 18 – RTTRST Real-time Timer Restart

Value	Description
0	No effect.
1	Reloads and restarts the clock divider with the new programmed value. This also resets the 32-bit counter.

### Bit 17 – RTTINCIEN Real-time Timer Increment Interrupt Enable

Value	Description
0	The bit RTTINC in RTT_SR has no effect on interrupt.
1	The bit RTTINC in RTT_SR asserts interrupt.

### Bit 16 – ALMIEN Alarm Interrupt Enable

Value	Description
0	The bit ALMS in RTT_SR has no effect on interrupt.
1	The bit ALMS in RTT_SR asserts interrupt.



**Bits 15:0 – RTPRES[15:0]** Real-time Timer Prescaler Value

Defines the number of SLCK periods required to increment the RTT. The RTTINCIEN bit must be cleared prior to writing a new RTPRES value.

RTPRES is defined as follows:

- RTPRES = 0: The prescaler period is equal to  $2^{16} * \text{SLCK}$  periods.
- RTPRES = 1 or 2: forbidden.
- RTPRES  $\neq$  0,1 or 2: The prescaler period is equal to RTPRES \* SLCK periods.

## 26.5.2 Real-time Timer Alarm Register

**Name:** RTT\_AR  
**Offset:** 0x04  
**Reset:** 0xFFFFFFFF  
**Property:** Read/Write

This register can only be written if the WPEN bit is cleared in the System Controller Write Protection Mode Register (SYSC\_WPMR).

The alarm interrupt must be disabled (ALMIEN must be cleared in RTT\_MR) when writing a new ALMV value.

Bit	31	30	29	28	27	26	25	24
	ALMV[31:24]							
Access	R/W	R/W	R/W	R/W	R/W	R/W	R/W	R/W
Reset	1	1	1	1	1	1	1	1
Bit	23	22	21	20	19	18	17	16
	ALMV[23:16]							
Access	R/W	R/W	R/W	R/W	R/W	R/W	R/W	R/W
Reset	1	1	1	1	1	1	1	1
Bit	15	14	13	12	11	10	9	8
	ALMV[15:8]							
Access	R/W	R/W	R/W	R/W	R/W	R/W	R/W	R/W
Reset	1	1	1	1	1	1	1	1
Bit	7	6	5	4	3	2	1	0
	ALMV[7:0]							
Access	R/W	R/W	R/W	R/W	R/W	R/W	R/W	R/W
Reset	1	1	1	1	1	1	1	1

### Bits 31:0 – ALMV[31:0] Alarm Value

When the CRTV value in RTT\_VR equals the ALMV field, the ALMS flag is set in RTT\_SR. As soon as the ALMS flag rises, the CRTV value equals ALMV+1 (refer to the figure *RTT Counting* above).

### 26.5.3 Real-time Timer Value Register

**Name:** RTT\_VR  
**Offset:** 0x08  
**Reset:** 0x00000000  
**Property:** Read-only

Bit	31	30	29	28	27	26	25	24
	CRTV[31:24]							
Access	R	R	R	R	R	R	R	R
Reset	0	0	0	0	0	0	0	0
Bit	23	22	21	20	19	18	17	16
	CRTV[23:16]							
Access	R	R	R	R	R	R	R	R
Reset	0	0	0	0	0	0	0	0
Bit	15	14	13	12	11	10	9	8
	CRTV[15:8]							
Access	R	R	R	R	R	R	R	R
Reset	0	0	0	0	0	0	0	0
Bit	7	6	5	4	3	2	1	0
	CRTV[7:0]							
Access	R	R	R	R	R	R	R	R
Reset	0	0	0	0	0	0	0	0

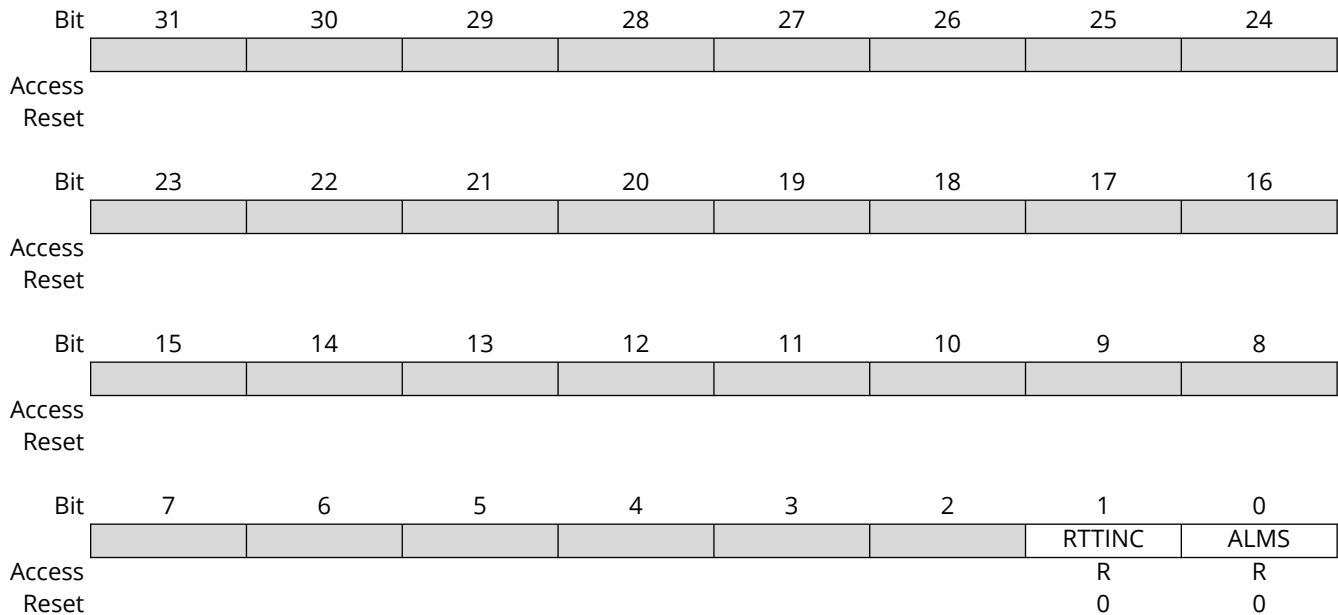
**Bits 31:0 – CRTV[31:0]** Current Real-time Value

Returns the current value of the RTT.

As CRTV can be updated asynchronously, it must be read twice at the same value.

## 26.5.4 Real-time Timer Status Register

**Name:** RTT\_SR  
**Offset:** 0x0C  
**Reset:** 0x00000000  
**Property:** Read-only



### Bit 1 - RTTINC Prescaler Roll-over Status (cleared on read)

Value	Description
0	No prescaler roll-over occurred since the last read of the RTT_SR.
1	Prescaler roll-over occurred since the last read of the RTT_SR.

### Bit 0 - ALMS Real-time Alarm Status (cleared on read)

Value	Description
0	The Real-time Alarm has not occurred since the last read of RTT_SR.
1	The Real-time Alarm occurred since the last read of RTT_SR.

## 27. Clock Generator

### 27.1 Description

The Clock Generator user interface is embedded within the Power Management Controller and is described in the Register Summary. However, the Clock Generator registers are named CKGR\_.

### 27.2 Embedded Characteristics

The Clock Generator is made up of:

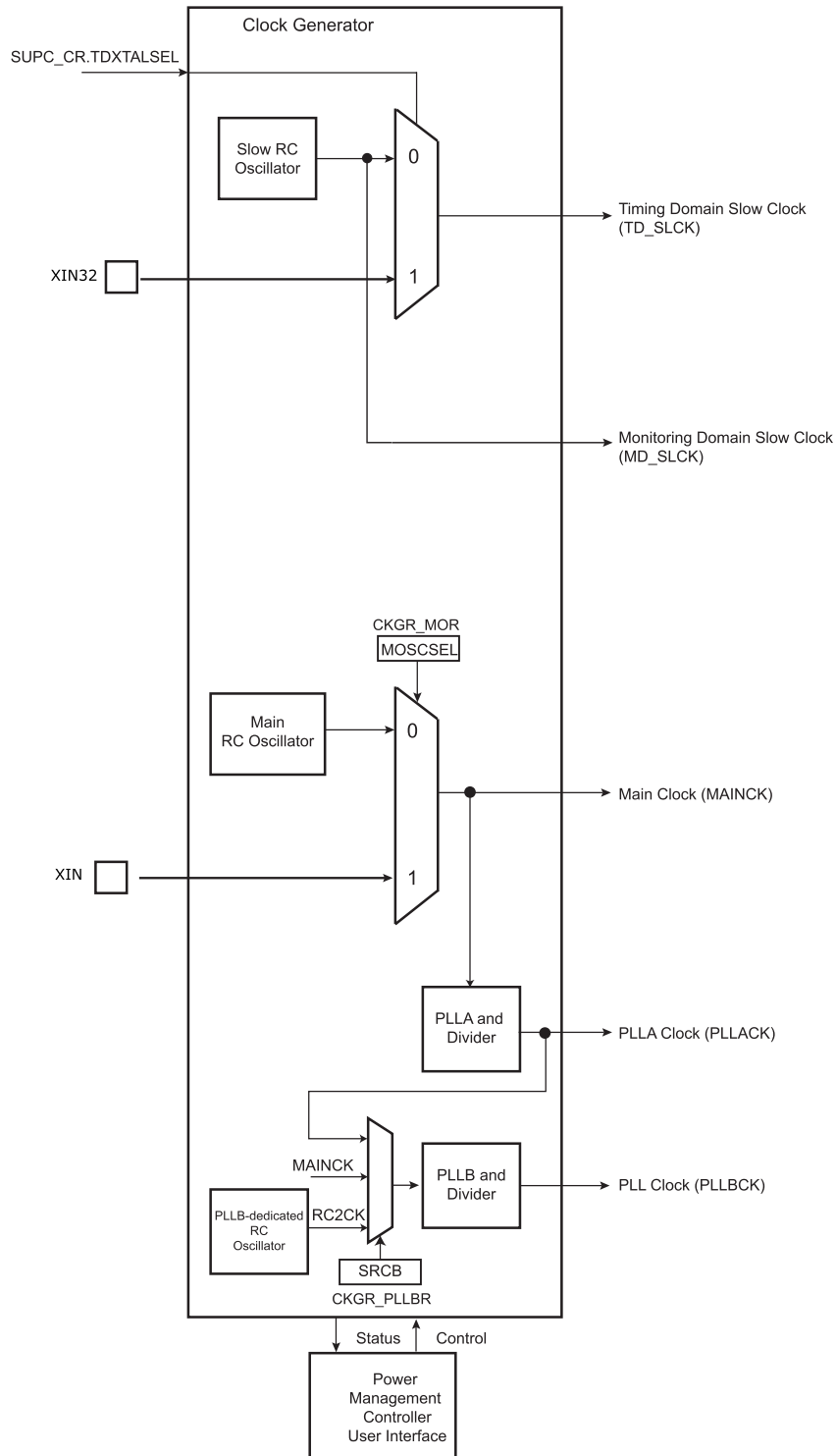
- An external slow clock (32.768 kHz) Input
- A low-power Slow RC Oscillator (32 kHz typical)
- A external Main clock (3 – 20 MHz) Input
- A Main RC Oscillator and a PLLB-dedicated RC Oscillator, each with Four Selectable Output Frequencies: 4/8/12/10 MHz. By default 4 MHz is selected.
- A 40 MHz to 200 MHz Programmable PLL (input from 8 MHz to 20 MHz)
- A 40 MHz to 200 MHz Programmable PLL (input from 8 MHz to 20 MHz)

It provides the following clocks:

- MD\_SLCK— Monitoring Domain Slow clock. This clock, generally sourced from the Slow RC oscillator, feeds safety-critical functions of the device (WDT, RSTC, SUPC, frequency monitors and detectors, PMC start-up time counters).
- TD\_CLK—Timing Domain Slow clock. This clock, generally sourced from the 32.768 kHz external slow clock, is routed to the RTC and RTT peripherals.
- MAINCK— Output of the Main clock oscillator selection: either the external Main clock or Main RC oscillator
- PLLACK— Output of the divider and the 40 MHz to 200 MHz programmable PLL (PLLA)
- PLLBCK— Output of the divider and the 40 MHz to 200 MHz programmable PLL (PLLB)

## 27.3 Block Diagram

Figure 27-1. Clock Generator Block Diagram



## 27.4 Slow Clock

The Supply Controller embeds a slow clock generator that is supplied with the VDDIO power supply. As soon as VDDIO is supplied, the slow RC oscillator is powered and enabled.. This allows the monitoring Slow clock (MD\_SLCK) to be valid in a short time (about 100  $\mu$ s).

MD\_SLCK is generated only by the Slow RC oscillator. TD\_SLCK is generated either by the 32.768 kHz external slow clock or by the Slow RC oscillator.

To select the clock source, the selection is made via the TDXTALSEL bit in the Supply Controller Control register (SUPC\_CR).

### 27.4.1 Slow RC Oscillator (32 kHz typical)

By default, the Slow RC oscillator is enabled and selected as a source of MD\_SLCK and TD\_SLCK. It is the only available source for MD\_SCLK.

This oscillator is disabled by clearing the SUPC\_CR.TDXTALSEL.

### 27.4.2 External Slow Clock

An external slow clock (32.768 kHz) could be applied on XIN32 pin. To select the external slow clock as a source of TD\_SCLK, the SUPC\_CR.TDXTALSEL must be set.

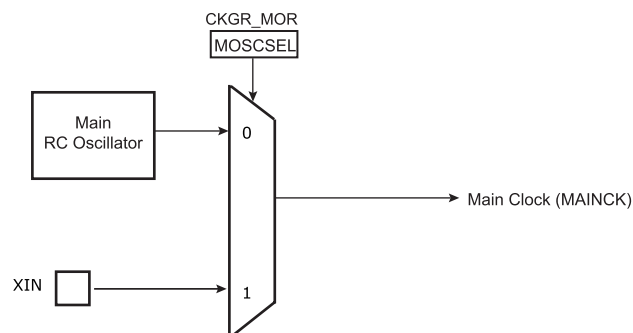
For input characteristics of the XIN32 pin, refer to the section “Electrical Characteristics”.

## 27.5 Main Clock

The Main clock (MAINCK) has two sources:

- A Main RC oscillator (4/8/12/10 MHz) with a fast start-up time and that is selected by default to start the system. Its default frequency is 4 MHz.
- A external Main clock input (3-20 MHz)

Figure 27-2. Main Clock (MAINCK) Block Diagram



### 27.5.1 Main RC Oscillator

After reset, the Main RC oscillator is enabled with the 4 MHz frequency selected. This oscillator is selected as the source of MAINCK. MAINCK is the default clock selected to start the system.

The software can disable or enable the Main RC oscillator with the MOSRCEN bit in the Clock Generator Main Oscillator register (CKGR\_MOR).

The output frequency of the Main RC oscillator can be selected among 4/8/12/10 MHz. Selection is done by configuring MOSRCF in CKGR\_MOR. When changing the frequency selection, the MOSRCF bit in the Status register (PMC\_SR) is automatically cleared and MAINCK is stopped until the oscillator is stabilized. Once the oscillator is stabilized, MAINCK restarts and PMC\_SR.MOSRCF is set. Note that enabling the Main RC oscillator (MOSRCEN = 1) and changing its frequency (MOSRCF) at the same time is not allowed.

This oscillator must be enabled first and its frequency changed in a second step.

When disabling the Main RC oscillator by clearing CKGR\_MOR.MOSCRGEN, the PMC\_SR.MOSCRCS bit is automatically cleared, indicating that the oscillator is OFF.

Setting the MOSCRCS bit in the Interrupt Enable register (PMC\_IER) triggers an interrupt to the processor.

### 27.5.2 PLLB-dedicated RC Oscillator

The system embeds a second RC oscillator that is dedicated to driving the PLLB reference clock. It is enabled by setting the EN bit in the PMC\_OSC2 register.

The output frequency of the PLLB-dedicated RC oscillator can be selected among 4/8/12/10 MHz. Selection is done by configuring the field OSCRCF in PMC\_OSC2 register. The RC oscillator is enabled by default.

The frequency selection must not be performed while the PLLB is operating with this RC oscillator as reference clock. The PLLB must first be disabled to change this RC oscillator frequency.

### 27.5.3 Main RC Oscillator Frequency Adjustment

The 4/8/12/10 MHz frequencies are factory-centered to the typical values by using Flash calibration bits (refer to the section "Electrical Characteristics"). The Flash calibration bits setting stored for the Main RC oscillator frequencies (4, 8, 12 and 10 MHz) vary from device to device.

To get a starting point when changing the CAL4, CAL8, CAL12 or CAL10 fields, it is recommended to first read their corresponding Flash calibration bits in the Flash controller..

The user can adjust the value of the Main RC oscillator frequency by modifying the trimming values on 4, 8, 12 and 10 MHz. This may be used to compensate frequency drifts due to temperature or voltage. Values written by the user application in the Oscillator Calibration register (PMC\_OCR1) are reset after each power-up or software reset. By default, SEL4/SEL8/ SEL12/SEL10 are cleared, so the Main RC oscillator is driven with the factory-programmed Flash calibration bits which are programmed during chip production. In order to calibrate the oscillator lower frequency, SEL4 must be set to `1' and a valid trim value must be configured in CAL4. Likewise, SEL8/12/10 must be set to `1' and a trim value must be configured in CAL8/12/10 in order to adjust the other frequencies of the oscillator. It is not possible to adjust the oscillator frequency while operating from this oscillator.

When trimming one frequency, the selected frequency should not be the same as the one selected in CKGR\_MOR.MOSCRCF. For instance, when writing SEL4 and CAL4 bits, the selected frequency in CKGR\_MOR.MOSCRCF must be 8/12/10 MHz.

Prior to write the new trim value in CAL4, CAL8/ CAL12/ CAL10 fields in PMC\_OCR1 register, the bit EN\_WR\_CALIB in PMC\_OSC2 must be set to '1' in order to enable write operation in calibration register.

At any time, the user can measure the main RC oscillator output frequency by means of the Main Frequency Counter (refer to Section [27.5.6. Main Frequency Counter](#)). Once the frequency measurement is done, the main RC oscillator calibration fields (CALRC\_FREQx) can be adjusted accordingly to correct this oscillator output frequency.

Trim values in the CALn bitfields are composed of two trim parameters: temperature and frequency. CALn[1:0] are used for RC temperature trim, while CALn[4:2] are used for frequency trim. CALn[6:5] are not used

### 27.5.4 Second RC Oscillator Frequency Adjustment

The Second RC oscillator frequencies of 4, 8, 12 and 10 MHz are factory-centered to the typical values by using Flash calibration bits (refer to the section "Electrical Characteristics"). The Flash calibration bit settings stored for the Second RC oscillator frequencies vary from device to device.



To get a starting point when changing the CAL4, CAL8, CAL10 or CAL12 fields, it is recommended to first read their corresponding Flash calibration bits in the Flash controller.

The user can adjust the value of the Second RC oscillator frequency by modifying the trimming values set in production for the Second RC Oscillator frequencies. This may be used to compensate frequency drifts due to temperature or voltage. Values written by the user application in the Oscillator Calibration register (PMC\_OCR2) are reset after each power-up or software reset. By default, the SELn bits are cleared, so the Main RC oscillator is driven with the factory-programmed Flash calibration bits which are programmed during chip production.

In order to calibrate the oscillator lower frequency of 4MHz, SEL4 must be set to `1' and a valid trim value must be configured in CAL4. Likewise, SEL8, SEL10 or SEL12 must be set to `1' and a trim value must be configured in CAL8, CAL10 or CAL12 in order to adjust the other frequencies of the oscillator.

It is not possible to adjust the oscillator frequency while operating from this oscillator.

When trimming one frequency, the selected frequency should not be the same as the one selected in PMC\_OSC2.OSCRCF. For instance, when writing SEL4 and CAL4 bits to modify the 4 MHz clock option, the selected frequency in PMC\_OSC2.OSCRCF must be either 8, 12 or 10 MHz

Prior to write the new trim value in CALn fields in PMC\_OCR2 register, the bit EN\_WR\_CALIB in PMC\_OSC2 must be set to '1' in order to enable write operation in calibration register.

Trim values in the CALn bitfields are composed of two trim parameters: temperature and frequency. CALn[1:0] are used for RC temperature trim, while CALn[4:2] are used for frequency trim. CALn[6:5] are not used.

### 27.5.5 Main Clock Source Selection

The source of MAINCK can be selected from the following:

- The Main RC oscillator
- An external Main clock signal provided on the XIN input

The advantage of the Main RC oscillator is its fast start-up time. By default, this oscillator is selected to start the system and it must be selected prior to entering Wait mode.

The advantage of the external Main clock is its high level of accuracy.

The selection of the input is made with bit CKGR\_MOR.MOSCSEL. The switchover of the MAINCK source is glitch-free, so there is no need to run MCK out of MD\_SLCK, PLLACK or PLLBCK in order to change the selection. PMC\_SR.MOSCSELS indicates when the switch sequence is done.

If a PLL is selected as the source of MCK, the system automatically switches the MCK source to MAINCK during the switching operation, then sets the MCK source back to the selected PLL after the switch is complete. This sequence happens under any one of the following cases:

- switching from the Main RC oscillator to the Main Crystal oscillator;
- switching from the Main Crystal oscillator to the Main RC oscillator;
- changing the output frequency of the Main RC oscillator.

Setting PMC\_IMR.MOSCSELS triggers an interrupt to the processor.

### 27.5.6 Main Frequency Counter

The Main frequency counter measures the Main RC oscillator and the external Main clock against the MD\_SLCK and is managed by CKGR\_MCFR.

During the measurement period, the Main frequency counter increments at the speed of the clock defined by the bit CKGR\_MCFR.CCSS.

A measurement is started in the following cases:

- When CKGR\_MCFR.RCMEAS is written to '1'.
- When the Main RC oscillator is selected as the source of MAINCK and when this oscillator is stable (when the MOSCRCS bit is set)
- When the external Main clock is selected as the source of MAINCK and when this clock is stable (when the MOSCXTS bit is set)
- When MAINCK source selection is modified

The measurement period ends at the 16th falling edge of MD\_SLCK, the MAINFRDY bit in CKGR\_MCFR is set and the counter stops counting. Its value can be read in the MAINF field of CKGR\_MCFR and gives the number of clock cycles during 16 periods of MD\_SLCK, so that the frequency of the Main RC oscillator or external Main clock can be determined.

If switching the source of MAINCK to the external Main clock from the Main RC oscillator, follow the programming sequence below to ensure that the oscillator is present and that its frequency is valid:

1. Configure the CKGR\_MOR. MOSCXTST field with the external Main clock start-up time as defined in the section "Electrical Characteristics".
2. Wait for PMC\_SR.MOSCXTS flag to rise, indicating the end of a start-up period of the external Main clock.
3. Select the external Main clock as the source clock of the Main frequency counter by setting CKGR\_MCFR.CCSS.
4. Initiate a frequency measurement by setting CKGR\_MCFR.RCMEAS.
5. Read CKGR\_MCFR.MAINFRDY until its value equals 1.
6. Read CKGR\_MCFR.MAINF and compute the value of the external Main clock.

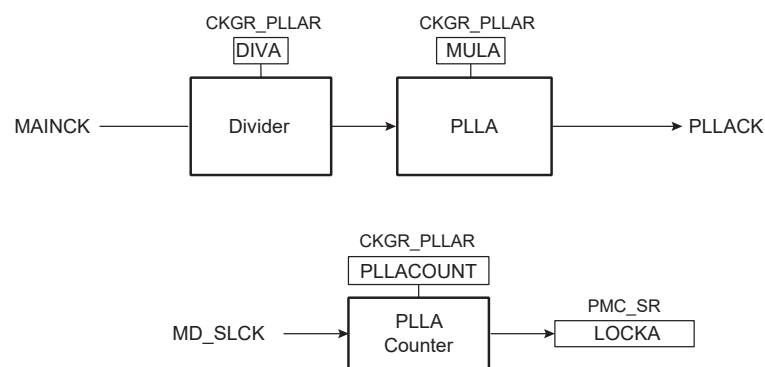
If the MAINF value is valid, software can switch MAINCK to the external Main clock. Refer to [Main Clock Source Selection](#).

## 27.6 PLLA Clock

The PLLA clock (PLLACK) is generated from MAINCK by the PLLA and a predivider. This combination allows a wide range of frequencies.

The figure below shows the block diagram of the dividers and PLLA blocks.

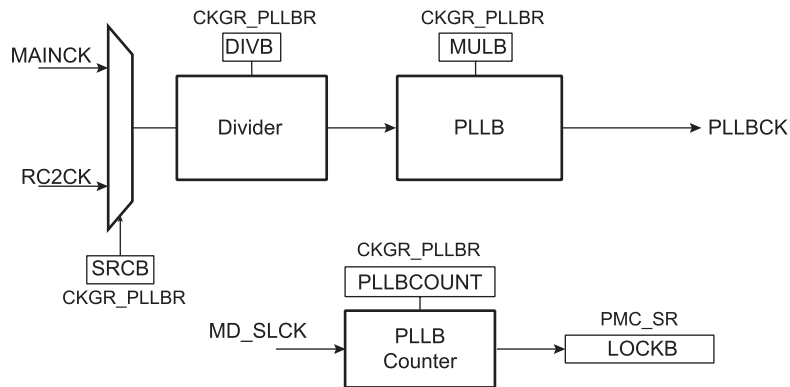
**Figure 27-3.** Divider and PLLA Block Diagram



## 27.7 PLLB Clock

The PLLB clock (PLLBACK) is generated by the PLLB from MAINCK, or RC2CK and a predivider. This combination allows a wide range of frequencies.

The figure below shows the block diagram of the dividers and PLLB blocks.

**Figure 27-4.** Divider and PLLB Block Diagram

## 27.8 Divider and Phase Lock Loop Programming

The valid input frequency range of the PLLA is 8 MHz to 20 MHz and the valid output frequency range of the PLLA is 40 MHz to 200 MHz. The multiplier factor (MULA ratio) between the output and the input can be set in the range 1 to 25 in steps of 1.

The valid input frequency range of the PLLB is 8 MHz to 20 MHz and the valid output frequency range of the PLLA is 40 MHz to 200 MHz. The multiplier factor (MULB ratio) between the output and the input can be set in the range 1 to 25 in steps of 1.

The PLL (PLLA or PLLB) must first be correctly configured:

- Select the correct VCO frequency range depending on the output frequency requested (CKGR\_PLLAR.FREQVCO and CKGR\_PLLBR.FREQVCO)
- Select the correct value of current of the charge pump of PLL (PMC\_PLL\_CFG.OUTCUR\_PLLA and PMC\_PLL\_CFG.OUTCUR\_PLLB),
- Select the correct resistors and capacitors values embedded inside the PLL to guarantee its stability (PMC\_PLL\_CFG.FLT\_PLLA and PMC\_PLL\_CFG.FLT\_PLLB),

When a divider field (DIV) is cleared, the output of the corresponding divider and the PLL output is a continuous signal at level 0. On reset, each DIV field is cleared, thus the corresponding PLL input clock is stuck at '0'.

The PLL (PLLA or PLLB) allows multiplication of the divider's outputs. The PLL clock signal has a frequency that depends on the respective source signal frequency and on the parameters DIV (DIVA or DIVB) and MUL (MULA or MULB, in the range of 1 to 25). The factor applied to the source signal frequency is  $(MUL + 1)/DIV$ . When MUL is written to '0' or  $DIV = 0$ , the PLL is disabled and its power consumption is saved. Note that there is a delay of two MD\_SLCK clock cycles between the disable command and the real disable of the PLL. Re-enabling the PLL can be performed by writing a value higher than '0' in the MUL field and DIV higher than '0'.

Whenever the PLL is re-enabled or one of its parameters is changed, the LOCK (LOCKA or LOCKB) bit in PMC\_SR is automatically cleared. The values written in the PLLCOUNT field (PLLACOUNT or PLLBCOUNT) in CKGR\_PLLR (CKGR\_PLLAR or CKGR\_PLLBR) are loaded in the PLL counter. The PLL counter then decrements at the speed of MD\_SLCK until it reaches '0'. At this time, PMC\_SR.LOCKA or PMC\_SR.LOCKB is set and can trigger an interrupt to the processor. The user has to load the number of MD\_SLCK cycles required to cover the PLL transient time into the PLLCOUNT field.

To avoid programming the PLL with a multiplication factor that is too high, the user can saturate the multiplication factor value sent to the PLL by setting the PLLA\_MMAX and PLLB\_MMAX field in the PLL Maximum Multiplier Value register (PMC\_PMMR).

It is forbidden to change the MAINCK characteristics (oscillator selection, frequency adjustment of the Main RC oscillator) when:

- MAINCK is selected as the PLLA or PLLB clock source, and
- MCK is sourced from PLLA.

To change the MAINCK characteristics, the user must:

1. Switch the MCK source to MAINCK by writing a '1' to PMC\_MCKR.CSS.
2. Change the Main RC oscillator frequency (MOSCRCF) or oscillator selection (MOSCSEL) in CKGR\_MOR.
3. Wait for MOSCRCS (if frequency changes) or MOSCSELS (if oscillator selection changes) in PMC\_SR.
4. Disable and then enable the PLL.
5. Wait for the LOCK flag in PMC\_SR.
6. Switch back MCK to the PLLA by writing the appropriate value to PMC\_MCKR.CSS.

The following table lists some typical PLL configurations:

**Table 27-1.** Typical PLL Configurations

Fin (MHz)	Fout (MHz)	PMC_PLL_CFG			CKGR_PLLxR		
		SRx[1:0]	SCx[1:0]	OUTCUR_PLLx[3:0]	MULx	FREQ_VCO[1:0]	DIVx[7:0]
8	200	0	3	3	24	2	1
10	180	0	3	3	17	2	1
12	180	0	3	3	14	2	1
12	120	0	3	3	9	1	1
10	120	0	3	3	11	1	1
10	100	0	3	3	9	1	1
10	90	0	3	2	8	1	1

**Note:** x = A or B depending on the PLL selected.

## 28. Power Management Controller (PMC)

### 28.1 Description

The Power Management Controller (PMC) optimizes power consumption by controlling user peripheral clocks. The PMC enables/disables the clock inputs to many of the peripherals.

The Supply Controller selects the source of TD\_SLCK of the real-time part (RTT/RTC) and the MD\_SLCK of the rest of the System Controller (watchdog, etc.) separately. If the two sections are fed by the same clock, the unused oscillator is disabled automatically so that power consumption is optimized.

By default, at start-up, the chip runs out of MCK using the Main RC oscillator running at 4 MHz.

### 28.2 Embedded Characteristics

The Power Management Controller provides the following clocks:

- Master Clock (MCK), programmable from a few hundred Hz to the maximum operating frequency of the device. It is available to the modules running permanently.
- Processor Clock (HCLK)
- Free-running processor Clock (FCLK)
- Cortex-M7 SysTick external clock
- Peripheral Clocks with independent ON/OFF control, provided to the peripherals
- Programmable Clock Outputs (PCKx), selected from the clock generator outputs to drive the device PCK pins
- Generic Clock (GCLK) with controllable division and ON/OFF control, dependent or not on MCK and HCLK, and provided to selected peripherals.

The Power Management Controller also provides the following features on clocks:

- A external Main clock failure detector
- A 32.768 kHz external slow clock frequency monitor
- A frequency counter on external Main clock or Main RC oscillator
- Two embedded RC oscillators with on-the-fly adjustable frequencies



## 28.6 Core and Bus Independent Clocks for Peripherals

Some peripherals can operate while the core, bus and peripheral clock frequencies are modified, thus providing communications at a bit rate which is independent for the core/bus/peripheral clock. This mode of operation is possible by using the internally-generated independent clock sources. See [Peripheral and Generic Clock Controller](#). For a list of peripherals supporting the independent clock (GCLK), refer to table “Peripheral Identifiers”, in section “Peripherals”.

## 28.7 Peripheral and Generic Clock Controller

The PMC controls the clocks of the embedded peripherals by means of the Peripheral Control register (PMC\_PCR). With this register, the user can enable and disable the different clocks used by the peripherals:

- Peripheral clocks (periph\_clk[PID]), routed to every peripheral and derived from the master clock (MCK)
- Generic clocks (GCLK[PID]), routed to selected peripherals only (refer to the Peripheral Identifiers table in section Peripherals). These clocks could be independent of the core and bus clocks (HCLK, MCK and periph\_clk[PID]). They are generated by selection and division of the following sources: RC2CK, MD\_SLCK, MAINCK, PLLBCK, PLLACK and MCK. Refer to the description of each peripheral for the limitation to be applied to GCLK[PID] compared to periph\_clk[PID].

To configure a peripheral's clocks, PMC\_PCR.CMD must be written to '1' and PMC\_PCR.PID must be written with the index of the corresponding peripheral. All other configuration fields must be correctly set.

To read the current clock configuration of a peripheral, PMC\_PCR.CMD must be written to '0' and PMC\_PCR.PID must be written with the index of the corresponding peripheral regardless of the values of other fields. This write does not modify the configuration of the peripheral. The PMC\_PCR can then be read to know the configuration status of the corresponding PID.

The status of the peripheral clock activity can be read in the Peripheral Clock Status registers (PMC\_CSRx).

When a periph\_clk or a GCLK is disabled, it is immediately stopped.

It is forbidden to modify the source or the division ratio of a GCLK when it is in use. It must first be disabled.

To stop a peripheral clock, it is recommended that the system software wait until the peripheral has executed its last programmed operation before disabling the clock. This is to avoid data corruption or erroneous behavior of the system.

The bit number in PMC\_CSRx is the Peripheral Identifier defined at the product level. The bit number corresponds to the interrupt source number assigned to the peripheral.

## 28.8 Free-running Processor Clock

The free-running Processor clock (FCLK) is used for sampling interrupts and clocking debug blocks.

## 28.9 Programmable Clock Output Controller

The PMC controls four signals to be output on the external pins PCKx. Each signal can be independently programmed via the Programmable Clock registers (PMC\_PCKx).

PCKx can be independently selected between MD\_SLCK, MAINCK, PLLACK, PLLBCK and MCK by configuring PMC\_PCKx.CSS. Each output signal can also be divided by 1 to 256 by configuring PMC\_PCKx.PRES.

Each output signal can be enabled and disabled by writing a '1' to the corresponding bits PMC\_SCER.PCKx and PMC\_SCDR.PCKx, respectively. The status of the active programmable output clocks is given in PMC\_SCSR.PCKx.

The status flag `PMC_SR.PCKRDYx` indicates that `PCKx` is actually what has been programmed in registers `PMC_PCKx`.

As the Programmable Clock Controller does not manage with glitch prevention when switching clocks, it is strongly recommended to disable `PCKx` before any configuration change and to re-enable it after the change is performed.

## 28.10 External Main Clock Failure Detection

The external Main clock failure detector monitors the external Main clock against the Slow RC oscillator and provides an automatic switchover of the `MAINCK` source to the Main RC oscillator in case of failure detection.

The failure detector can be enabled or disabled by configuring `CKGR_MOR.CFDEN`. It is also disabled in either of the following cases:

- After a `VDDCORE` reset
- When the external Main clock is disabled

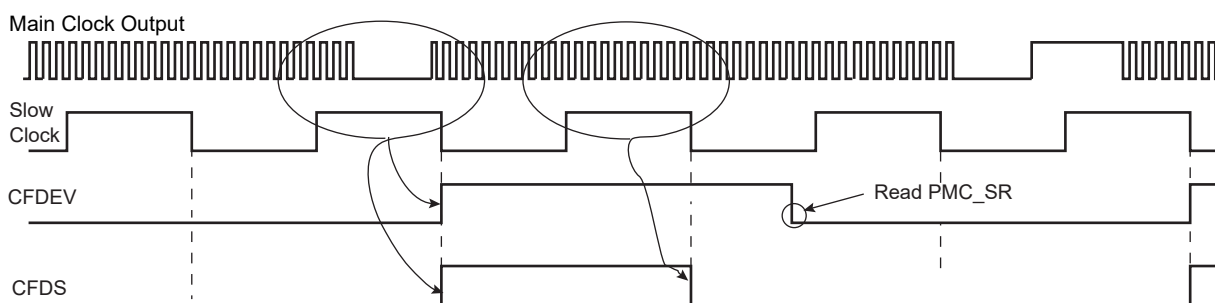
A failure is detected by means of a counter incrementing on the external Main clock output and detection logic is triggered by the Slow RC oscillator which is automatically enabled when `CFDEN = 1`.

The counter is cleared when the Slow RC oscillator clock signal is low and enabled when the signal is high. Thus, the failure detection time is one Slow RC oscillator period. If, during the high level period of the Slow RC oscillator clock signal, less than eight external Main clock clock periods have been counted, then a failure is reported. Note that when enabling the failure detector, up to two cycles of the Slow RC oscillator are needed to detect a failure of the external Main clock.

If a failure of external Main clock is detected, `PMC_SR.CFDEV` and `PMC_SR.FOS` both indicate a failure event. `PMC_SR.CFDEV` is cleared on read of `PMC_SR`, and `PMC_SR.FOS` is cleared by writing a '1' to the `FOCLR` bit in the Fault Output Clear register (`PMC_FOCR`).

Only `PMC_SR.CFDEV` can generate an interrupt if the corresponding interrupt source is enabled in `PMC_IER`. The current status of the clock failure detection can be read at any time from `PMC_SR.CFDS`.

**Figure 28-2.** Clock Failure Detection Example



Note: Ratio of clock periods is for illustration purposes only.

If the external Main clock is selected as the source clock of `MAINCK` (`CKGR_MOR.MOSCSEL = 1`), and if the `MCK` source is `PLLACK` (`CSS = 2`), a clock failure detection automatically forces `MAINCK` to be the source clock for `MCK`. Then, regardless of the PMC configuration, a clock failure detection automatically forces the Main RC oscillator to be the source clock for `MAINCK`. If the Main RC oscillator is disabled when a clock failure detection occurs, it is automatically re-enabled by the clock failure detection mechanism.

Two Slow RC oscillator clock cycles are necessary to detect and switch from the external Main clock to the Main RC oscillator if the source of `MCK` is `MAINCK`, or three Slow RC oscillator clock cycles if the source of `MCK` is `PLLACK`.



A clock failure detection activates a fault output that is connected to the Pulse Width Modulator (PWM) Controller. With this connection, the PWM controller is able to force its outputs and to protect the driven device, if a clock failure is detected.

### 28.11 32.768 kHz External Slow Clock Frequency Monitor

The frequency of the 32.768 kHz external slow clock can be monitored by means of logic driven by the Main RC oscillator known as a reliable clock source. This function is enabled by configuring the EXT32KFME bit of CKGR\_MOR. Prior to enabling this frequency monitor, the 32.768 kHz external slow clock must be started and its start-up time be elapsed. Refer to details on the Slow clock generator in the section “Supply Controller (SUPC)”.

An error flag (EXT32KERR in PMC\_SR) is asserted when the 32.768 kHz external slow clock frequency is out of the  $\pm 20\%$  nominal frequency value (i.e., 32.768 kHz). The error flag can be cleared only if the frequency monitor is disabled.

The monitored clock frequency is declared invalid if at least 4 consecutive clock period measurement results are over the nominal period  $\pm 20\%$ . Note that modifying the trimming values of the Main RC oscillator (PMC\_OCR1) may impact the monitor accuracy and lead to inappropriate failure detection.

Due to the possible frequency variation of the Main RC oscillator acting as reference clock for the monitor logic, any 32.768 kHz external slow clock deviation over  $\pm 20\%$  of the nominal frequency is systematically reported as an error by means of PMC\_SR.EXT32KERR. Between -1% and -20% and +1% and -20%, the error is not systematically reported.

Thus only a external clock running at 32.768 kHz frequency ensures that the error flag will not be asserted. The permitted drift of the crystal is 10000 ppm (1%).

If the Main RC oscillator frequency range needs to be changed while the frequency monitor is operating, the monitoring must be stopped prior to change the Main RC oscillator frequency. Then it can be re-enabled as soon as PMC\_SR.MOSCRCS is set.

The error flag can be defined as an interrupt source of the PMC by setting PMC\_IER.EXT32KERR. This flag is also routed to the RSTC and may generate a reset of the device.

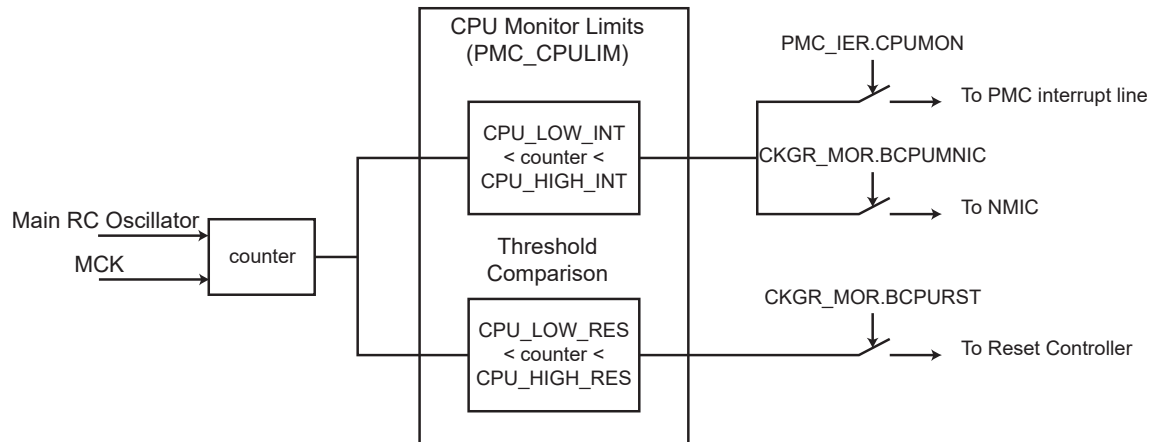
### 28.12 CPU Frequency Monitor

The frequency of the processor clock (HCLK) can be monitored through MCK with the Main RC oscillator. This monitoring can only be performed if the MCK frequency is at least 3 times faster than the embedded Main RC oscillator. This function is enabled by writing a '1' to CKGR\_MOR.BCPUNMIC, CKGR\_MOR.BCPURST, or PMC\_IER.CPUMON.

An error on the CPU frequency can lead to a PMC interrupt, an NMIC interrupt or a reset of the system (refer to sections “Non-Maskable Interrupt Controller (NMIC)” and/or “Reset Controller (RSTC)”).

When the corresponding PMC interrupt is enabled, the status of the CPU monitoring can be read on the PMC\_SR.CPUMON. This status is cleared on read.

Once enabled, the monitor continuously counts the number of MCK cycles within 15 cycles of the embedded Main RC oscillator. The result is then compared to threshold values defined in the PMC\_CPULIM register. Two levels of thresholds can be defined: a first couple of values defines thresholds to generate an interrupt and a second couple of values defines thresholds to generate a reset of the system.

**Figure 28-3.** CPU Frequency Monitor Block Diagram

## 28.13 Recommended Programming Sequence

Follow the steps below to program the PMC:

1. If the external Main clock is not required, the PLLA and divider can be directly configured ([Step 6.](#)).
2. The user can define a start-up time. This can be done by configuring CKGR\_MOR.MOSCXTST. Once this register has been correctly configured, the user must wait for PMC\_SR.MOSCXTS to be set. This can be done either by polling PMC\_SR.MOSCXTS, or by waiting for the interrupt line to be raised if the associated interrupt source (MOSCXTS) has been enabled in PMC\_IER.
3. Switch MAINCK to the external Main clock by setting CKGR\_MOR.MOSCSEL.
4. Wait for PMC\_SR.MOSCSELS to be set to ensure the switch is complete.
5. Check MAINCK frequency:  
This frequency can be measured via CKGR\_MCFR.  
Read CKGR\_MCFR until the MAINFRDY field is set, after which the user can read CKGR\_MCFR.MAINF by performing an additional read. This provides the number of Main clock cycles that have been counted during a period of 16 MD\_SLCK cycles.  
If MAINF = 0, switch MAINCK to the Main RC Oscillator by clearing CKGR\_MOR.MOSCSEL. If MAINF ≠ 0, proceed to [Step 6.](#)
6. Set PLLA and Divider (if not required, proceed to [Step 7.](#)):  
All parameters needed to configure PLLA and the divider are located in CKGR\_PLLAR.  
CKGR\_PLLAR.DIVA is used to control the divider. This parameter can be programmed between 0 and 25. The divider output is divider input divided by DIVA. By default, DIVA is cleared, meaning that the divider and PLLA are turned off. The internal RC filter and the output current are located in PMC\_PLL\_CFG. They are configured depending on the required PLL frequency input and the frequency output to ensure PLL stability.  
CKGR\_PLLAR.MULA is the PLLA multiplier factor. This parameter can be programmed between 0 and 25. If MULA is cleared, PLLA will be turned off, otherwise the PLLA output frequency is PLLA input frequency multiplied by (MULA + 1).  
CKGR\_PLLAR.PLLACOUNT specifies the number of MD\_SLCK cycles before PMC\_SR.LOCKA is set after CKGR\_PLLAR has been written.  
Once CKGR\_PLLAR has been written, the user must wait for PMC\_SR.LOCKA to be set. This can be done either by polling PMC\_SR.LOCKA or by waiting for the interrupt line to be raised if the associated interrupt source (LOCKA) has been enabled in PMC\_IER. All fields in CKGR\_PLLAR can be programmed in a single write operation. If MULA or DIVA is modified, the LOCKA bit goes low

to indicate that PLLA is not yet ready. When PLLA is locked, LOCKA is set again. The user must wait for the LOCKA bit to be set before using the PLLA output clock.

7. Select MCK and HCLK:

MCK and HCLK are configurable via PMC\_MCKR.

CSS is used to select the clock source of MCK and HCLK. By default, the selected clock source is MAINCK.

PRES is used to define the HCLK and MCK prescalers. The user can choose between 1, 2, 3, 4, 8, 16, 32, 64 division factors. Prescaler output is the selected clock source frequency divided by the PRES value.

MDIV is used to define the MCK divider. It is possible to choose between different values (0 or 1). MCK output is the HCLK frequency divided by 1 or 2, depending on the value programmed in MDIV.

By default, MDIV is cleared, which indicates that the HCLK is equal to MCK.

Once the PMC\_MCKR has been written, the user must wait for PMC\_SR.MCKRDY to be set. This can be done either by polling PMC\_SR.MCKRDY or by waiting for the interrupt line to be raised if the associated interrupt source (MCKRDY) has been enabled in PMC\_IER. PMC\_MCKR must not be programmed in a single write operation. The programming sequence for PMC\_MCKR is as follows:

If a new value for PMC\_MCKR.CSS corresponds to any of the available PLL clocks:

- a. Program PMC\_MCKR.PRES.
- b. Wait for PMC\_SR.MCKRDY to be set.
- c. Program PMC\_MCKR.MDIV.
- d. Wait for PMC\_SR.MCKRDY to be set.
- e. Program PMC\_MCKR.CSS.
- f. Wait for PMC\_SR.MCKRDY to be set.

If a new value for PMC\_MCKR.CSS corresponds to MAINCK or MD\_SLCK:

- a. Program PMC\_MCKR.CSS.
- b. Wait for PMC\_SR.MCKRDY to be set.
- c. Program PMC\_MCKR.PRES.
- d. Wait for PMC\_SR.MCKRDY to be set.

If CSS, MDIV or PRES are modified at any stage, the MCKRDY bit goes low to indicate that MCK and HCLK are not yet ready. The user must wait for MCKRDY bit to be set again before using MCK and HCLK.

**Note:** If PLLA clock was selected as MCK and the user decides to modify it by writing a new value into CKGR\_PLLAR, the MCKRDY flag will go low while PLLA is unlocked. Once PLLA is locked again, LOCKA goes high and MCKRDY is set.

While PLLA is unlocked, MCK selection is automatically changed to MD\_SLCK for PLLA. For further information, see [Clock Switching Waveforms](#).

8. Select the Programmable clocks (PCKx):

PCKx are controlled via registers PMC\_SCER, PMC\_SCDR and PMC\_SCSR.

PCKx can be enabled and/or disabled via PMC\_SCER and PMC\_SCDR. Three PCKx can be used. PMC\_SCSR indicates which PCKx is enabled. By default all PCKx are disabled.

PMC\_PCKx registers are used to configure PCKx.

PMC\_PCKx.CSS is used to select the PCKx divider source. Several clock options are available:

- MAINCK
- MD\_SLCK
- MCK

- PLLACK
- PLLBCK

MD\_SLCK is the default clock source.

PMC\_PCKx.PRES is used to control the PCKx prescaler. It is possible to choose between different values (1 to 256). PCKx output is prescaler input divided by PRES. By default, the PRES value is cleared which means that PCKx is equal to Slow clock.

Once PMC\_PCKx has been configured, the corresponding PCKx must be enabled and the user must wait for PMC\_SR.PCKRDYx to be set. This can be done either by polling PMC\_SR.PCKRDYx or by waiting for the interrupt line to be raised if the associated interrupt source (PCKRDYx) has been enabled in PMC\_IER. All parameters in PMC\_PCKx can be programmed in a single write operation.

If the PMC\_PCKx.CSS and PMC\_PCKx.PRES parameters are to be modified, the corresponding PCKx must be disabled first. The parameters can then be modified. Once this has been done, the user must re-enable PCKx and wait for the PCKRDYx bit to be set.

#### 9. Enable the peripheral clocks

Once all of the previous steps have been completed, the peripheral clocks can be enabled and/or disabled via register PMC\_PCR.

## 28.14 Clock Switching Details

### 28.14.1 Master Clock Switching Timings

The tables below give the worst case timings required for MCK to switch from one selected clock to another one. This is in the event that the prescaler is deactivated. When the prescaler is activated, an additional time of 64 clock cycles of the newly selected clock has to be added.

**Table 28-1.** Clock Switching Timings (Worst Case)

From	MAINCK	MD_SLCK	PLL Clock
To			
MAINCK	-	4 x MD_SLCK + 2.5 x MAINCK	3 x PLL Clock + 4 x MD_SLCK + 1 x MAINCK
MD_SLCK	0.5 x MAINCK + 4.5 x MD_SLCK	-	3 x PLL Clock + 5 x MD_SLCK
PLL Clock	0.5 x MAINCK + 4 x MD_SLCK + PLLCOUNT x MD_SLCK + 2.5 x PLL Clock	2.5 x PLL Clock + 5 x MD_SLCK + PLLCOUNT x MD_SLCK	See table below (Clock Switching Timings between Two PLLs (Worst Case))

#### Notes:

1. PLL designates any available PLL of the Clock Generator.
2. PLLCOUNT designates either PLLACOUNT or PLLBCOUNT.

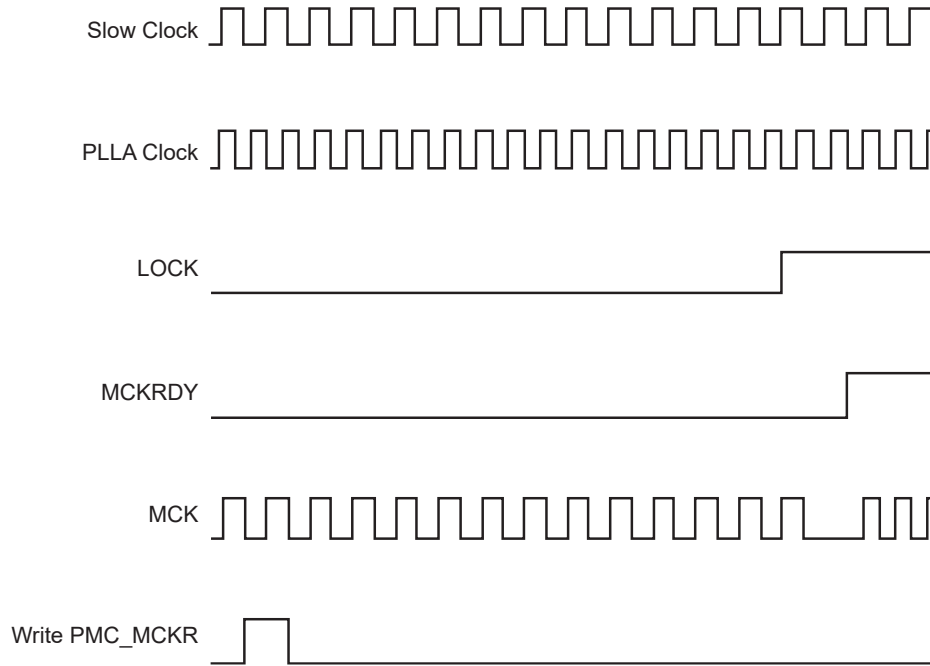
**Table 28-2.** Clock Switching Timings between Two PLLs (Worst Case)

From	PLLACK	PLLBCK
To		
PLLACK	-	3 x PLLACK + 4 x MD_SLCK + 1.5 x PLLACK
PLLBCK	3 x PLLBCK + 4 x MD_SLCK + 1.5 x PLLBCK	-

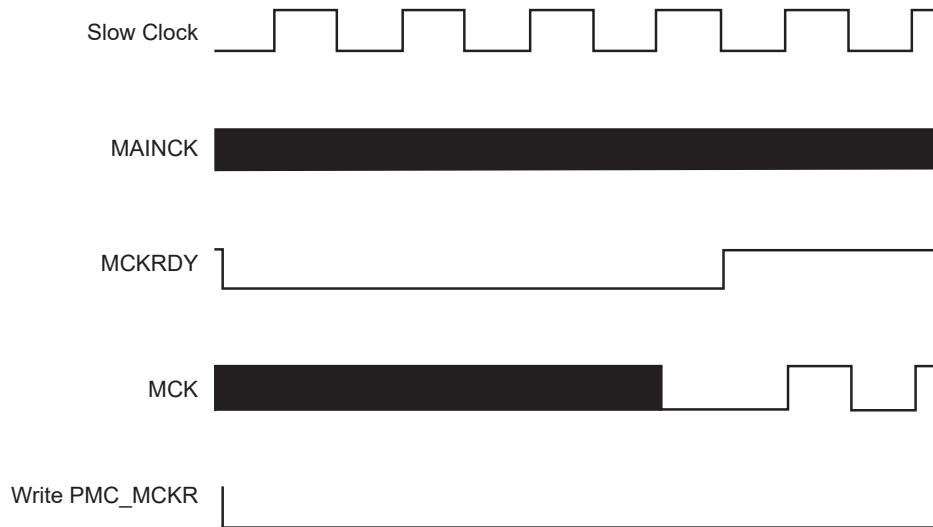
### 28.14.2 Clock Switching Waveforms

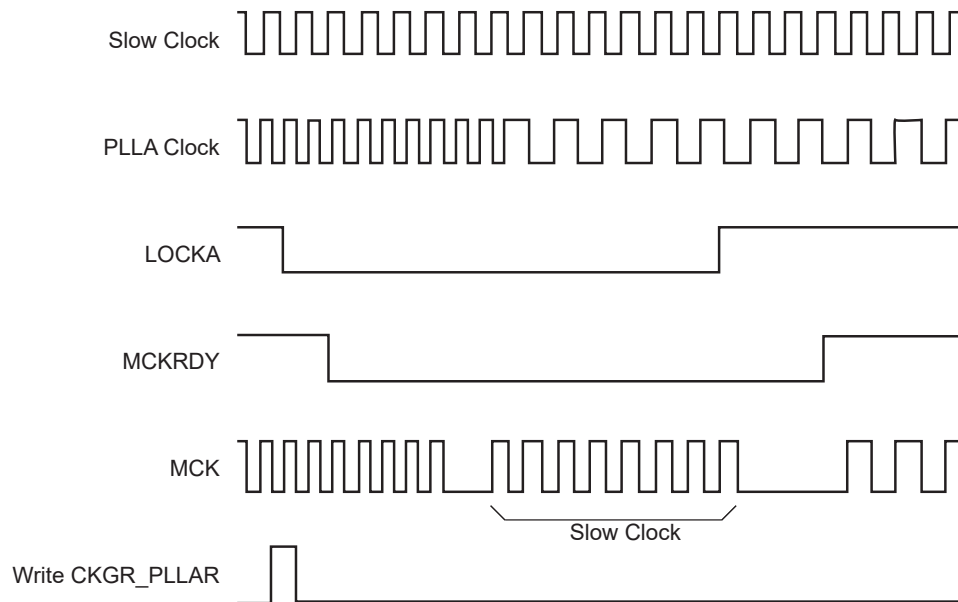
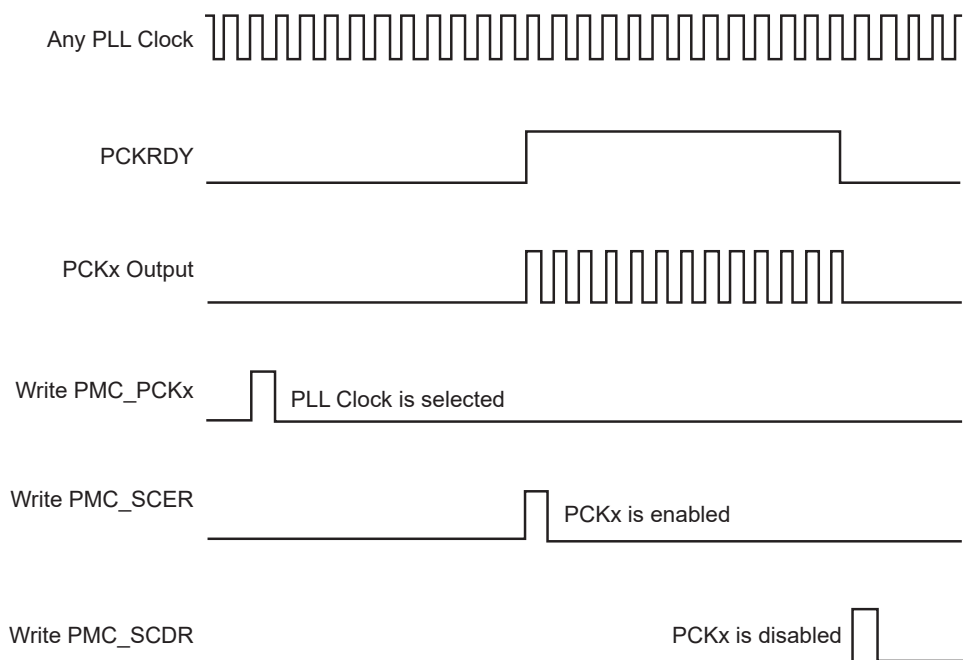
In the following figures, Slow Clock designates MD\_SLCK.

**Figure 28-4.** Switch Master Clock (MCK) from Slow Clock to PLLA Clock



**Figure 28-5.** Switch Master Clock (MCK) from Main Clock (MAINCK) to Slow Clock



**Figure 28-6.** Change PLLA Programming**Figure 28-7.** Programmable Clock Output Programming

## 28.15 Register Write Protection

To prevent any single software error from corrupting PMC behavior, certain registers in the address space can be write-protected by setting the WPEN bit or the WPITEN bit in the [PMC Write Protection Mode Register](#) (PMC\_WPMR).

If a write access to a write-protected register is detected, the WPVS flag in the [PMC Write Protection Status Register](#) (PMC\_WPSR) is set and the field WPVSRC indicates the register in which the write access has been attempted.

The WPVS bit is automatically cleared after reading the PMC\_WPSR.

The following registers are write-protected when the WPEN bit is set in PMC\_WPMR:

- [PMC System Clock Enable Register](#)
- [PMC System Clock Disable Register](#)
- [PMC Clock Generator Main Oscillator Register](#)
- [PMC Clock Generator Main Clock Frequency Register](#)
- [PMC Clock Generator PLLA Register](#)
- [PMC Clock Generator PLLB Register](#)
- [PMC Master Clock Register](#)
- [PMC Programmable Clock Register](#)
- [PMC PLL Configuration Register](#)
- [PMC Oscillator Calibration Register](#)
- [PLL Maximum Multiplier Value Register](#)
- [PMC Oscillator Calibration Register 2](#)

The following interrupt registers are write-protected when the WPITEN bit is set in PMC\_WPMR:

- [PMC Interrupt Enable Register](#)
- [PMC Interrupt Disable Register](#)

## 28.16 Register Summary

Offset	Name	Bit Pos.	7	6	5	4	3	2	1	0		
0x00	PMC_SCER	7:0										
		15:8					PCK3	PCK2	PCK1	PCK0		
		23:16										
		31:24										
0x04	PMC_SCDR	7:0										
		15:8					PCK3	PCK2	PCK1	PCK0		
		23:16										
		31:24										
0x08	PMC_SCSR	7:0										
		15:8					PCK3	PCK2	PCK1	PCK0		
		23:16										
		31:24										
0x0C ... 0x1F	Reserved											
0x20	CKGR_MOR	7:0		MOSCRCF[2:0]			MOSRCREN		ZERO		MOSCXTEN	
		15:8	MOSCXTST[7:0]									
		23:16	KEY[7:0]									
		31:24				BCPUNMIC	BCPURST	EXT32KFME	CFDEN	MOSCSEL		
0x24	CKGR_MCFR	7:0	MAINF[7:0]									
		15:8	MAINF[15:8]									
		23:16				RCMEAS				MAINFRDY		
		31:24								CCSS		
0x28	CKGR_PLLAR	7:0	DIVA[7:0]									
		15:8	FREQ_VCO[1:0]			PLLACOUNT[5:0]						
		23:16	MULA[7:0]									
		31:24		ONE			MULA[10:8]					
0x2C	CKGR_PLLBR	7:0	DIVB[7:0]									
		15:8	FREQ_VCO[1:0]			PLLBCOUNT[5:0]						
		23:16	MULB[7:0]									
		31:24		SRCB[1:0]			MULB[10:8]					
0x30	PMC_MCKR	7:0	PRES[2:0]						CSS[1:0]			
		15:8	ZERO						MDIV			
		23:16										
		31:24										
0x34 ... 0x3F	Reserved											
0x40	PMC_PCK0	7:0	PRES[3:0]						CSS[2:0]			
		15:8							PRES[7:4]			
		23:16										
		31:24										
0x44	PMC_PCK1	7:0	PRES[3:0]						CSS[2:0]			
		15:8							PRES[7:4]			
		23:16										
		31:24										
0x48	PMC_PCK2	7:0	PRES[3:0]						CSS[2:0]			
		15:8							PRES[7:4]			
		23:16										
		31:24										
0x4C	PMC_PCK3	7:0	PRES[3:0]						CSS[2:0]			
		15:8							PRES[7:4]			
		23:16										
		31:24										
0x50 ... 0x5F	Reserved											



.....continued

Offset	Name	Bit Pos.	7	6	5	4	3	2	1	0
0x60	PMC_IER	7:0					MCKRDY	LOCKB	LOCKA	MOSCXTS
		15:8					PCKRDY3	PCKRDY2	PCKRDY1	PCKRDY0
		23:16	CPUMON		EXT32KERR			CFDEV	MOSCRCS	MOSCELS
		31:24								
0x64	PMC_IDR	7:0					MCKRDY	LOCKB	LOCKA	MOSCXTS
		15:8					PCKRDY3	PCKRDY2	PCKRDY1	PCKRDY0
		23:16	CPUMON		EXT32KERR			CFDEV	MOSCRCS	MOSCELS
		31:24								
0x68	PMC_SR	7:0	OSCELS				MCKRDY	LOCKB	LOCKA	MOSCXTS
		15:8					PCKRDY3	PCKRDY2	PCKRDY1	PCKRDY0
		23:16	CPUMON		EXT32KERR	FOS	CFDS	CFDEV	MOSCRCS	MOSCELS
		31:24								
0x6C	PMC_IMR	7:0					MCKRDY	LOCKB	LOCKA	MOSCXTS
		15:8					PCKRDY3	PCKRDY2	PCKRDY1	PCKRDY0
		23:16	CPUMON		EXT32KERR			CFDEV	MOSCRCS	MOSCELS
		31:24								
0x70 ... 0x77	Reserved									
0x78	PMC_FOCR	7:0								FOCLR
		15:8								
		23:16								
		31:24								
0x7C ... 0x7F	Reserved									
0x80	PMC_PLL_CFG	7:0						OUTCUR_PLLA[3:0]		
		15:8	SRA[1:0]		SCA[1:0]					
		23:16						OUTCUR_PLLB[3:0]		
		31:24	SRB[1:0]		SCB[1:0]					
0x84 ... 0xE3	Reserved									
0xE4	PMC_WPMR	7:0							WPITEN	WPEN
		15:8				WPKEY[7:0]				
		23:16				WPKEY[15:8]				
		31:24				WPKEY[23:16]				
0xE8	PMC_WPSR	7:0								WPVS
		15:8				WPVSR[7:0]				
		23:16				WPVSR[15:8]				
		31:24								
0xEC ... 0x010B	Reserved									
0x010C	PMC_PCR	7:0					PID[6:0]			
		15:8				CMD		GCLKCSS[3:0]		
		23:16			GCLKDIV[3:0]					
		31:24			GCLKEN	EN			GCLKDIV[7:4]	
0x0110	PMC_OCR1	7:0	SEL4				CAL4[6:0]			
		15:8	SEL8				CAL8[6:0]			
		23:16	SEL10				CAL12[6:0]			
		31:24	SEL12				CAL10[6:0]			
0x0114 ... 0x012F	Reserved									
0x0130	PMC_PMMR	7:0					PLLA_MMAX[7:0]			
		15:8						PLLA_MMAX[10:8]		
		23:16					PLLB_MMAX[7:0]			
		31:24							PLLB_MMAX[10:8]	

.....continued

Offset	Name	Bit Pos.	7	6	5	4	3	2	1	0	
0x0134 ... 0x015F	Reserved										
0x0160	PMC_CPULIM	7:0	CPU_LOW_IT[7:0]								
		15:8	CPU_HIGH_IT[7:0]								
		23:16	CPU_LOW_RES[7:0]								
		31:24	CPU_HIGH_RES[7:0]								
0x0164 ... 0x016F	Reserved										
0x0170	PMC_CSR0	7:0	PID7	PID6	PID5	PID4	PID3	PID2	PID1	PID0	
		15:8	PID15	PID14	PID13	PID12	PID11	PID10	PID9	PID8	
		23:16	PID23	PID22	PID21	PID20	PID19	PID18	PID17	PID16	
		31:24	PID31	PID30	PID29	PID28	PID27	PID26	PID25	PID24	
0x0174	PMC_CSR1	7:0	PID39	PID38	PID37	PID36	PID35	PID34	PID33	PID32	
		15:8	PID47	PID46	PID45	PID44	PID43	PID42	PID41	PID40	
		23:16	PID55	PID54	PID53	PID52	PID51	PID50	PID49	PID48	
		31:24	PID63	PID62	PID61	PID60	PID59	PID58	PID57	PID56	
0x0178	PMC_CSR2	7:0	PID71	PID70	PID69	PID68	PID67	PID66	PID65	PID64	
		15:8	PID79	PID78	PID77	PID76	PID75	PID74	PID73	PID72	
		23:16	PID87	PID86	PID85	PID84	PID83	PID82	PID81	PID80	
		31:24	PID95	PID94	PID93	PID92	PID91	PID90	PID89	PID88	
0x017C	PMC_CSR3	7:0	PID103	PID102	PID101	PID100	PID99	PID98	PID97	PID96	
		15:8	PID111	PID110	PID109	PID108	PID107	PID106	PID105	PID104	
		23:16	PID119	PID118	PID117	PID116	PID115	PID114	PID113	PID112	
		31:24	PID127	PID126	PID125	PID124	PID123	PID122	PID121	PID120	
0x0180 ... 0x018F	Reserved										
0x0190	PMC_GCSR0	7:0	GPID7	GPID6	GPID5	GPID4	GPID3	GPID2	GPID1	GPID0	
		15:8	GPID15	GPID14	GPID13	GPID12	GPID11	GPID10	GPID9	GPID8	
		23:16	GPID23	GPID22	GPID21	GPID20	GPID19	GPID18	GPID17	GPID16	
		31:24	GPID31	GPID30	GPID29	GPID28	GPID27	GPID26	GPID25	GPID24	
0x0194	PMC_GCSR1	7:0	GPID39	GPID38	GPID37	GPID36	GPID35	GPID34	GPID33	GPID32	
		15:8	GPID47	GPID46	GPID45	GPID44	GPID43	GPID42	GPID41	GPID40	
		23:16	GPID55	GPID54	GPID53	GPID52	GPID51	GPID50	GPID49	GPID48	
		31:24	GPID63	GPID62	GPID61	GPID60	GPID59	GPID58	GPID57	GPID56	
0x0198	PMC_GCSR2	7:0	GPID71	GPID70	GPID69	GPID68	GPID67	GPID66	GPID65	GPID64	
		15:8	GPID79	GPID78	GPID77	GPID76	GPID75	GPID74	GPID73	GPID72	
		23:16	GPID87	GPID86	GPID85	GPID84	GPID83	GPID82	GPID81	GPID80	
		31:24	GPID95	GPID94	GPID93	GPID92	GPID91	GPID90	GPID89	GPID88	
0x019C	PMC_GCSR3	7:0	GPID103	GPID102	GPID101	GPID100	GPID99	GPID98	GPID97	GPID96	
		15:8	GPID111	GPID110	GPID109	GPID108	GPID107	GPID106	GPID105	GPID104	
		23:16	GPID119	GPID118	GPID117	GPID116	GPID115	GPID114	GPID113	GPID112	
		31:24	GPID127	GPID126	GPID125	GPID124	GPID123	GPID122	GPID121	GPID120	
0x01A0 ... 0x01AF	Reserved										
0x01B0	PMC_OSC2	7:0	OSCRCF[1:0]							EN	
		15:8								EN_WR_CALIB	
		23:16	KEY[7:0]								
		31:24									
0x01B4	PMC_OCR2	7:0	SEL4	CAL4[6:0]							
		15:8	SEL8	CAL8[6:0]							
		23:16	SEL12	CAL12[6:0]							
		31:24	SEL10	CAL10[6:0]							

### 28.16.1 PMC System Clock Enable Register

**Name:** PMC\_SCER  
**Offset:** 0x0000  
**Reset:** -  
**Property:** Write-only

This register can only be written if the WPEN bit is cleared in the [PMC Write Protection Mode Register](#).

Bit	31	30	29	28	27	26	25	24
Access								
Reset								
Bit	23	22	21	20	19	18	17	16
Access								
Reset								
Bit	15	14	13	12	11	10	9	8
Access					PCK3	PCK2	PCK1	PCK0
Reset					W	W	W	W
					-	-	-	-
Bit	7	6	5	4	3	2	1	0
Access								
Reset								

#### Bits 8, 9, 10, 11 – PCKx Programmable Clock x Output Enable

Value	Description
0	No effect.
1	Enables the corresponding Programmable Clock output.

## 28.16.2 PMC System Clock Disable Register

**Name:** PMC\_SCDR  
**Offset:** 0x0004  
**Reset:** -  
**Property:** Write-only

This register can only be written if the WPEN bit is cleared in the [PMC Write Protection Mode Register](#).

Bit	31	30	29	28	27	26	25	24
Access								
Reset								
Bit	23	22	21	20	19	18	17	16
Access								
Reset								
Bit	15	14	13	12	11	10	9	8
Access					PCK3	PCK2	PCK1	PCK0
Reset					W	W	W	W
					-	-	-	-
Bit	7	6	5	4	3	2	1	0
Access								
Reset								

### Bits 8, 9, 10, 11 – PCKx Programmable Clock x Output Disable

Value	Description
0	No effect.
1	Disables the corresponding Programmable Clock output.

### 28.16.3 PMC System Clock Status Register

**Name:** PMC\_SCSR  
**Offset:** 0x0008  
**Reset:** 0x00000001  
**Property:** Read-only

Bit	31	30	29	28	27	26	25	24
Access								
Reset								
Bit	23	22	21	20	19	18	17	16
Access								
Reset								
Bit	15	14	13	12	11	10	9	8
Access					PCK3	PCK2	PCK1	PCK0
Reset					W	W	W	W
					0	0	0	0
Bit	7	6	5	4	3	2	1	0
Access								
Reset								

#### Bits 8, 9, 10, 11 – PCKx Programmable Clock x Output Status

Value	Description
0	The corresponding Programmable Clock output is disabled.
1	The corresponding Programmable Clock output is enabled.

## 28.16.4 PMC Clock Generator Main Oscillator Register

**Name:** CKGR\_MOR  
**Offset:** 0x0020  
**Reset:** 0x00000008  
**Property:** Read/Write

This register can only be written if the WPEN bit is cleared in the [PMC Write Protection Mode Register](#).

Bit	31	30	29	28	27	26	25	24
				BCPUNMIC	BCPURST	EXT32KFME	CFDEN	MOSCSEL
Access				R/W	R/W	R/W	R/W	R/W
Reset				0	0	0	0	0
Bit	23	22	21	20	19	18	17	16
	KEY[7:0]							
Access	W	W	W	W	W	W	W	W
Reset	0	0	0	0	0	0	0	0
Bit	15	14	13	12	11	10	9	8
	MOSCXTST[7:0]							
Access	R/W	R/W	R/W	R/W	R/W	R/W	R/W	R/W
Reset	0	0	0	0	0	0	0	0
Bit	7	6	5	4	3	2	1	0
		MOSCRCF[2:0]			MOSCRGEN		ZERO	MOSCXTEN
Access		R/W	R/W	R/W	R/W		R/W	R/W
Reset		0	0	0	1		0	0

### Bit 28 – BCPUNMIC Bad CPU Clock Interrupt to NMIC Enable

Value	Description
0	A CPU clock failure has no effect on the Non Maskable Interrupt Controller (NMIC).
1	A CPU clock failure detection sends an interrupt signal to the NMIC.

### Bit 27 – BCPURST Bad CPU Clock Reset Enable

Value	Description
0	A CPU clock failure detection cannot reset the system.
1	A CPU clock failure detection can reset the system if the reset controller is configured accordingly.

### Bit 26 – EXT32KFME 32.768 kHz External Slow Clock Frequency Monitoring Enable

Value	Description
0	The 32.768 kHz external slow clock frequency monitoring is disabled.
1	The 32.768 kHz external slow clock frequency monitoring is enabled.

### Bit 25 – CFDEN Clock Failure Detector Enable

Value	Description
0	The clock failure detector is disabled.
1	The clock failure detector is enabled.

### Bit 24 – MOSCSEL Main Clock Oscillator Selection

Value	Description
0	The Main RC oscillator is selected.
1	The external Main clock is selected.

**Bits 23:16 – KEY[7:0] Write Access Password**

Value	Name	Description
0x37	PASSWD	Writing any other value in this field aborts the write operation. Always reads as 0.

**Bits 15:8 – MOSCXTST[7:0] External Main Clock Start-up Time**

Specifies the number of MD\_SLCK cycles multiplied by 8 for the external Main clock start-up time.

**Bits 6:4 – MOSCRCF[2:0] Main RC Oscillator Frequency Selection**

At start-up, the Main RC oscillator frequency is 4 MHz.

MOSCRCF must be changed only if MOSCRCS is set in the PMC\_SR. Therefore MOSCRCF and MOSRCEN cannot be changed at the same time.

Value	Name	Description
0	4_MHz	The Main RC oscillator frequency is at 4 MHz.
1	8_MHz	The Main RC oscillator frequency is at 8 MHz.
2	10_MHz	The Main RC oscillator frequency is at 10 MHz.
3	12_MHz	The Main RC oscillator frequency is at 12 MHz.

**Bit 3 – MOSRCEN Main RC Oscillator Enable**

When MOSRCEN is set, the MOSCRCS flag is set once the Main RC oscillator start-up time is achieved.

Value	Description
0	The Main RC oscillator is disabled.
1	The Main RC oscillator is enabled.

**Bit 1 – ZERO ZERO****Bit 0 – MOSCXTEN Main External Clock Enable**

A external clock must be connected to XIN.

When MOSCXTEN is set, the MOSCXTS flag is set once the Main crystal oscillator start-up time is achieved.

Value	Description
0	The external main clock is disabled.
1	The external main clock is enabled.

## 28.16.5 PMC Clock Generator Main Clock Frequency Register

**Name:** CKGR\_MCFR  
**Offset:** 0x0024  
**Reset:** 0x0001088F  
**Property:** Read/Write

This register can only be written if the WPEN bit is cleared in the [PMC Write Protection Mode Register](#).

Bit	31	30	29	28	27	26	25	24
								CCSS
Access								R/W
Reset								0
Bit	23	22	21	20	19	18	17	16
				RCMEAS				MAINFRDY
Access				R/W				R/W
Reset				0				1
Bit	15	14	13	12	11	10	9	8
	MAINF[15:8]							
Access	R/W	R/W	R/W	R/W	R/W	R/W	R/W	R/W
Reset	0	0	0	0	1	0	0	0
Bit	7	6	5	4	3	2	1	0
	MAINF[7:0]							
Access	R/W	R/W	R/W	R/W	R/W	R/W	R/W	R/W
Reset	1	0	0	0	1	1	1	1

### Bit 24 – CCSS Counter Clock Source Selection

Value	Description
0	The measured clock of the MAINF counter is the Main RC oscillator.
1	The measured clock of the MAINF counter is the external Main clock.

### Bit 20 – RCMEAS RC Oscillator Frequency Measure (write-only)

The measurement is performed on the main frequency (i.e., not limited to the Main RC oscillator only). If the source of MAINCK is the external Main clock, the restart of measurement may not be required because of the stability of external clocks.

Value	Description
0	No effect.
1	Restarts measuring of the frequency of MAINCK. MAINF carries the new frequency as soon as a low-to-high transition occurs on the MAINFRDY flag.

### Bit 16 – MAINFRDY Main Clock Frequency Measure Ready

To ensure that a correct value is read on the MAINF field, the MAINFRDY flag must be read at '1' then another read access must be performed on the register to get a stable value on the MAINF field.

Value	Description
0	MAINF value is not valid or the measured oscillator is disabled or a measure has just been started by means of RCMEAS.
1	The measured oscillator has been enabled previously and MAINF value is available.

### Bits 15:0 – MAINF[15:0] Main Clock Frequency

Gives the number of cycles of the clock selected by the bit CCSS within 16 MD\_SLCK periods. To calculate the frequency of the measured clock:



$f_{SELCLK} = (MAINF \times f_{MD\_SLCK})/16$   
where frequency is in MHz.

## 28.16.6 PMC Clock Generator PLLA Register

**Name:** CKGR\_PLLAR  
**Offset:** 0x0028  
**Reset:** 0x00003F00  
**Property:** Read/Write

Possible limitations on PLLA input frequencies and multiplier factors should be checked before using the PMC.

This register can only be written if the WPEN bit is cleared in the [PMC Write Protection Mode Register](#).



Bit 29 must always be set to '1' when programming the CKGR\_PLLAR.

Bit	31	30	29	28	27	26	25	24
			ONE			MULA[10:8]		
Access			R/W			R/W	R/W	R/W
Reset			0			0	0	0
Bit	23	22	21	20	19	18	17	16
	MULA[7:0]							
Access	R/W	R/W	R/W	R/W	R/W	R/W	R/W	R/W
Reset	0	0	0	0	0	0	0	0
Bit	15	14	13	12	11	10	9	8
	FREQ_VCO[1:0]		PLLACOUNT[5:0]					
Access	R/W	R/W	R/W	R/W	R/W	R/W	R/W	R/W
Reset	0	0	1	1	1	1	1	1
Bit	7	6	5	4	3	2	1	0
	DIVA[7:0]							
Access	R/W	R/W	R/W	R/W	R/W	R/W	R/W	R/W
Reset	0	0	0	0	0	0	0	0

### Bit 29 - ONE Must Be Set to 1

Bit 29 must always be set to '1' when programming CKGR\_PLLAR.

### Bits 26:16 - MULA[10:0] PLLA Multiplier

Unlisted values are forbidden.

Value	Description
0	The PLLA is disabled (PLLA also disabled if DIVA = 0).
1 up to 25	PLLCK frequency is the PLLA input frequency multiplied by MULA + 1.
26 to 56	Reserved.

### Bits 15:14 - FREQ\_VCO[1:0] VCO Frequency Configuratio

Value	Name	Description
0	VCO0	Frequency range: 40 – 80 MHz
1	VCO1	Frequency range: 70 – 150 MHz
2	VCO2	Frequency range: 125 – 275 MHz
3	VCO3	Frequency range: 250 – 450 MHz

**Bits 13:8 – PLLACOUNT[5:0]** PLLA Counter

Specifies the number of MD\_SLCK cycles before the LOCKA bit is set in PMC\_SR after CKGR\_PLLAR is written.

**Bits 7:0 – DIVA[7:0]** PLLA Front End Divider

Value	Name	Description
0	0	PLLA is disabled.
1	BYPASS	Divider is bypassed (divide by 1) and PLLA is enabled.
2–64	DIV	Divider output is the selected clock divided by DIVA.
65–255	–	Reserved

## 28.16.7 PMC Clock Generator PLLB Register

**Name:** CKGR\_PLLBR  
**Offset:** 0x002C  
**Reset:** 0x00003F00  
**Property:** Read/Write

Possible limitations on PLLB input frequencies and multiplier factors should be checked before using the PMC.

This register can only be written if the WPEN bit is cleared in the [PMC Write Protection Mode Register](#).

Bit	31	30	29	28	27	26	25	24
	SRCB[1:0]					MULB[10:8]		
Access		R/W	R/W			R/W	R/W	R/W
Reset		0	0			0	0	0
Bit	23	22	21	20	19	18	17	16
	MULB[7:0]							
Access	R/W	R/W	R/W	R/W	R/W	R/W	R/W	R/W
Reset	0	0	0	0	0	0	0	0
Bit	15	14	13	12	11	10	9	8
	FREQ_VCO[1:0]			PLLBCOUNT[5:0]				
Access	R/W	R/W	R/W	R/W	R/W	R/W	R/W	R/W
Reset	0	0	1	1	1	1	1	1
Bit	7	6	5	4	3	2	1	0
	DIVB[7:0]							
Access	R/W	R/W	R/W	R/W	R/W	R/W	R/W	R/W
Reset	0	0	0	0	0	0	0	0

### Bits 30:29 – SRCB[1:0] PLLB Source Clock Selection

Value	Name	Description
0	MAINCK	MAINCK is the source clock of PLLB.
1	RC2CK	RC2CK is the source clock of PLLB.
2	RC2CK	RC2CK is the source clock of PLLB.
3	RC2CK	RC2CK is the source clock of PLLB.

### Bits 26:16 – MULB[10:0] PLLB Multiplier

Unlisted values are forbidden.

Value	Description
0	The PLLB is disabled (PLLB also disabled if DIVB = 0).
1 up to 25	PLLCK frequency is the PLLB input frequency multiplied by MULB + 1.
26 to 56	Reserved.

### Bits 15:14 – FREQ\_VCO[1:0] VCO Frequency Configuration

Value	Name	Description
0	VCO0	Frequency range: 40 – 80 MHz
1	VCO1	Frequency range: 70 – 150 MHz
2	VCO2	Frequency range: 125 – 275 MHz
3	VCO3	Frequency range: 250 – 450 MHz

**Bits 13:8 – PLLBCOUNT[5:0]** PLLB Counter

Specifies the number of MD\_SLCK cycles before the LOCKB bit is set in PMC\_SR after CKGR\_PLLBR is written.

**Bits 7:0 – DIVB[7:0]** PLLB Front End Divider

Value	Name	Description
0	0	PLLB is disabled.
1	BYPASS	Divider is bypassed (divide by 1) and PLLB is enabled.
2–64	DIV	Divider output is the selected clock divided by DIVB.
65–255	–	Reserved

## 28.16.8 PMC Master Clock Register

**Name:** PMC\_MCKR  
**Offset:** 0x0030  
**Reset:** 0x00000001  
**Property:** Read/Write

This register can only be written if the WPEN bit is cleared in the [PMC Write Protection Mode Register](#).

Bit	31	30	29	28	27	26	25	24
Access								
Reset								
Bit	23	22	21	20	19	18	17	16
Access								
Reset								
Bit	15	14	13	12	11	10	9	8
Access			ZERO					MDIV
Reset			R/W					R/W
			0					0
Bit	7	6	5	4	3	2	1	0
Access		PRES[2:0]					CSS[1:0]	
Reset		R/W	R/W	R/W			R/W	R/W
		0	0	0			0	1

**Bit 13 – ZERO** Must be set to zero.

Bit 13 must always be set to '0' when programming PMC\_MCKR.

**Bit 8 – MDIV** Master Clock Division

Value	Name	Description
0	EQ_PCK	MCK is FCLK divided by 1.
1	PCK_DIV2	MCK is FCLK divided by 2.

**Bits 6:4 – PRES[2:0]** Processor Clock Prescaler

Selected clock divided by PRES + 1.

Value	Name	Description
0	CLK_1	Selected clock
1	CLK_2	Selected clock divided by 2
2	CLK_4	Selected clock divided by 4
3	CLK_8	Selected clock divided by 8
4	CLK_16	Selected clock divided by 16
5	CLK_32	Selected clock divided by 32
6	CLK_64	Selected clock divided by 64
7	–	Reserved

**Bits 1:0 – CSS[1:0]** Master Clock Source Selection

Value	Name	Description
0	SLOW_CLK	MD_SLCK is selected
1	MAIN_CLK	MAINCK is selected
2	PLLA_CLK	PLLACK is selected

Value	Name	Description
3	-	Reserved

## 28.16.9 PMC Programmable Clock Register

**Name:** PMC\_PCKx  
**Offset:** 0x40 + x\*0x04 [x=0..3]  
**Reset:** 0x00000000  
**Property:** Read/Write

This register can only be written if the WPEN bit is cleared in the [PMC Write Protection Mode Register](#).

Bit	31	30	29	28	27	26	25	24
Access								
Reset								
Bit	23	22	21	20	19	18	17	16
Access								
Reset								
Bit	15	14	13	12	11	10	9	8
Access					R/W	R/W	R/W	R/W
Reset					0	0	0	0
Bit	7	6	5	4	3	2	1	0
Access	R/W	R/W	R/W	R/W		R/W	R/W	R/W
Reset	0	0	0	0		0	0	0

### Bits 11:4 – PRES[7:0] Programmable Clock Prescaler

Value	Description
0–255	Selected clock is divided by PRES+1.

### Bits 2:0 – CSS[2:0] Programmable Clock Source Selection

Value	Name	Description
0	SLOW_CLK	MD_SLCK is selected
1	MAIN_CLK	MAINCK is selected
2	PLLA_CLK	PLLACK is selected
3	PLLB_CLK	PLLBCK is selected
4	MCK	MCK is selected



### 28.16.10 PMC Interrupt Enable Register

**Name:** PMC\_IER  
**Offset:** 0x0060  
**Reset:** -  
**Property:** Write-only

This register can only be written if the WPITEN bit is cleared in the [PMC Write Protection Mode Register](#).

The following configuration values are valid for all listed bit names of this register:

0: No effect.

1: Enables the corresponding interrupt.

Bit	31	30	29	28	27	26	25	24
Access								
Reset								
Bit	23	22	21	20	19	18	17	16
Access	W		W			W	W	W
Reset	-		-			-	-	-
Bit	15	14	13	12	11	10	9	8
Access					W	W	W	W
Reset					-	-	-	-
Bit	7	6	5	4	3	2	1	0
Access					W	W	W	W
Reset					-	-	-	-

**Bit 23 – CPUMON** CPU Clock Monitor Interrupt Enable

**Bit 21 – EXT32KERR** 32.768 kHz External Slow Clock Error Interrupt Enable

**Bit 18 – CFDEV** Clock Failure Detector Event Interrupt Enable

**Bit 17 – MOSCRCS** Main RC Oscillator Status Interrupt Enable

**Bit 16 – MOSCSELS** Main Clock Source Oscillator Selection Status Interrupt Enable

**Bits 8, 9, 10, 11 – PCKRDYx** Programmable Clock Ready x Interrupt Enable

**Bit 3 – MCKRDY** Master Clock Ready Interrupt Enable

**Bit 2 – LOCKB** PLLB Lock Interrupt Enable

**Bit 1 – LOCKA** PLLA Lock Interrupt Enable

**Bit 0 – MOSCXTS** External Main Clock Status Interrupt Enable

### 28.16.11 PMC Interrupt Disable Register

**Name:** PMC\_IDR  
**Offset:** 0x0064  
**Reset:** -  
**Property:** Write-only

This register can only be written if the WPITEN bit is cleared in the [PMC Write Protection Mode Register](#).

The following configuration values are valid for all listed bit names of this register:

0: No effect.

1: Disables the corresponding interrupt.

Bit	31	30	29	28	27	26	25	24
Access								
Reset								
Bit	23	22	21	20	19	18	17	16
Access	W		W			W	W	W
Reset	-		-			-	-	-
Bit	15	14	13	12	11	10	9	8
Access					W	W	W	W
Reset					-	-	-	-
Bit	7	6	5	4	3	2	1	0
Access					W	W	W	W
Reset					-	-	-	-

**Bit 23 – CPUMON** CPU Clock Monitor Interrupt Disable

**Bit 21 – EXT32KERR** 32.768 kHz External Slow Clock Error Interrupt Disable

**Bit 18 – CFDEV** Clock Failure Detector Event Interrupt Disable

**Bit 17 – MOSCRCS** Main RC Status Interrupt Disable

**Bit 16 – MOSCSELS** Main Clock Source Oscillator Selection Status Interrupt Disable

**Bits 8, 9, 10, 11 – PCKRDYx** Programmable Clock Ready x Interrupt Disable

**Bit 3 – MCKRDY** Master Clock Ready Interrupt Disable

**Bit 2 – LOCKB** PLLB Lock Interrupt Disable

**Bit 1 – LOCKA** PLLA Lock Interrupt Disable

**Bit 0 – MOSCXTS** External Main Clock Status Interrupt Disable

## 28.16.12 PMC Status Register

**Name:** PMC\_SR  
**Offset:** 0x0068  
**Reset:** 0x01030F08  
**Property:** Read-only

Bit	31	30	29	28	27	26	25	24
Access								
Reset								
Bit	23	22	21	20	19	18	17	16
Access	R		R	R	R	R	R	R
Reset	0		0	0	0	0	1	1
Bit	15	14	13	12	11	10	9	8
Access					W	W	W	W
Reset					1	1	1	1
Bit	7	6	5	4	3	2	1	0
Access	R				R	R	R	R
Reset	0				1	0	0	0

### Bit 23 – CPUMON CPU Clock Monitor Error

This status is cleared on read.

Value	Description
0	The CPU clock is correct or the CPU clock monitor is disabled.
1	The CPU clock is incorrect or has been incorrect for an elapsed period of time since the monitoring has been enabled.

### Bit 21 – EXT32KERR External Slow Clock Error

Value	Description
0	The frequency of the 32.768 kHz external slow clock is correct (32.768 kHz±1%) or the monitoring is disabled.
1	The frequency of the 32.768 kHz external Main clock is incorrect or has been incorrect for an elapsed period of time since the monitoring has been enabled.

### Bit 20 – FOS Clock Failure Detector Fault Output Status

Value	Description
0	The fault output of the clock failure detector is inactive.
1	The fault output of the clock failure detector is active. This status is cleared by writing a '1' to FOCLR in PMC_FOCR.

### Bit 19 – CFDS Clock Failure Detector Status

Value	Description
0	A clock failure of the external Main clock is not detected.
1	A clock failure of the external Main clock is detected.

### Bit 18 – CFDEV Clock Failure Detector Event

Value	Description
0	No clock failure detection of the external Main clock has occurred since the last read of PMC_SR.
1	At least one clock failure detection of the external Main clock has occurred since the last read of PMC_SR.

**Bit 17 – MOSCRCS** Main RC Oscillator Status

Value	Description
0	Main RC oscillator is not stabilized.
1	Main RC oscillator is stabilized.

**Bit 16 – MOSCSELS** Main Clock Source Oscillator Selection Status

Value	Description
0	Selection is in progress.
1	Selection is done.

**Bits 8, 9, 10, 11 – PCKRDYx** Programmable Clock Ready Status

Value	Description
0	Programmable Clock x is not ready.
1	Programmable Clock x is ready.

**Bit 7 – OSCSELS** Monitoring Domain Slow Clock Source Oscillator Selection

Value	Description
0	Slow RC oscillator is selected.
1	32.768 kHz external slow clock is selected.

**Bit 3 – MCKRDY** Master Clock Status

Value	Description
0	Master Clock is not ready.
1	Master Clock is ready.

**Bit 2 – LOCKB** PLLB Lock Status

Value	Description
0	PLLB is not locked
1	PLLB is locked.

**Bit 1 – LOCKA** PLLA Lock Status

Value	Description
0	PLLA is not locked
1	PLLA is locked.

**Bit 0 – MOSCXTS** External Main Clock Status

Value	Description
0	External Main clock is not stabilized.
1	External Main clock is stabilized.

### 28.16.13 PMC Interrupt Mask Register

**Name:** PMC\_IMR  
**Offset:** 0x006C  
**Reset:** 0x00000000  
**Property:** Read-only

The following configuration values are valid for all listed bit names of this register:

0: No effect.

1: Enables the corresponding interrupt.

Bit	31	30	29	28	27	26	25	24
Access								
Reset								
Bit	23	22	21	20	19	18	17	16
Access	R		R			R	R	R
Reset	0		0			0	0	0
Bit	15	14	13	12	11	10	9	8
Access					W	W	W	W
Reset					0	0	0	0
Bit	7	6	5	4	3	2	1	0
Access					R	R	R	R
Reset					0	0	0	0

**Bit 23 – CPUMON** CPU Clock Monitor Error Interrupt Mask

**Bit 21 – EXT32KERR** 32.768 kHz External Slow Clock Error Interrupt Mask

**Bit 18 – CFDEV** Clock Failure Detector Event Interrupt Mask

**Bit 17 – MOSCRCS** Main RC Status Interrupt Mask

**Bit 16 – MOSCSELS** Main Clock Source Oscillator Selection Status Interrupt Mask

**Bits 8, 9, 10, 11 – PCKRDYx** Programmable Clock Ready x Interrupt Mask

**Bit 3 – MCKRDY** Master Clock Ready Interrupt Mask

**Bit 2 – LOCKB** PLLB Lock Interrupt Mask

**Bit 1 – LOCKA** PLLA Lock Interrupt Mask

**Bit 0 – MOSCXTS** External Main Clock Status Interrupt Mask

### 28.16.14 PMC Fault Output Clear Register

**Name:** PMC\_FOCR  
**Offset:** 0x0078  
**Reset:** -  
**Property:** Write-only

Bit	31	30	29	28	27	26	25	24
Access								
Reset								
Bit	23	22	21	20	19	18	17	16
Access								
Reset								
Bit	15	14	13	12	11	10	9	8
Access								
Reset								
Bit	7	6	5	4	3	2	1	0
Access								FOCLR
Reset								W -

**Bit 0 - FOCLR** Fault Output Clear  
 Clears the clock failure detector fault output.

## 28.16.15 PMC PLL Configuration Register

**Name:** PMC\_PLL\_CFG  
**Offset:** 0x0080  
**Reset:** 0x00000010  
**Property:** Read/Write

This register can only be written if the WPEN bit is cleared in the [PMC Write Protection Mode Register](#).

Bit	31	30	29	28	27	26	25	24
	SRB[1:0]		SCB[1:0]					
Access	R/W	R/W	R/W	R/W				
Reset	0	0	0	0				
Bit	23	22	21	20	19	18	17	16
					OUTCUR_PLLB[3:0]			
Access					R/W	R/W	R/W	R/W
Reset					0	0	0	0
Bit	15	14	13	12	11	10	9	8
	SRA[1:0]		SCA[1:0]					
Access	R/W	R/W	R/W	R/W				
Reset	0	0	0	0				
Bit	7	6	5	4	3	2	1	0
					OUTCUR_PLLA[3:0]			
Access					R/W	R/W	R/W	R/W
Reset					0	0	0	0

### Bits 31:30 – SRB[1:0] Internal Filter PLL – Select Internal Resistor Value

Value	Name	Description
0	SR_VAL_24K	24 Ohms
1	SR_VAL_6K	6 Ohms
2	SR_VAL_3K	3 Ohms
3	SR_VAL_12K	12 Ohms

### Bits 29:28 – SCB[1:0] Internal Filter PLL – Select Internal Capacitance Value

Value	Name	Description
0	SC_VAL_20p	20 pF
1	SC_VAL_40p	40 pF
2	SC_VAL_30p	30 pF
3	SC_VAL_60p	60 pF

### Bits 19:16 – OUTCUR\_PLLB[3:0] PLLB Output Current

Value	Name	Description
0	ICP0	0.5 mA
1	ICP1	0.75 mA
2	ICP2	1 mA
3	ICP3	1.25 mA

### Bits 15:14 – SRA[1:0] Internal Filter PLL – Select Internal Resistor Value

Value	Name	Description
0	SR_VAL_24K	24 Ohms
1	SR_VAL_6K	6 Ohms

Value	Name	Description
2	SR_VAL_3K	3 Ohms
3	SR_VAL_12K	12 Ohms

**Bits 13:12 – SCA[1:0] Internal Filter PLL – Select Internal Capacitance Value**

Value	Name	Description
0	SC_VAL_20p	20 pF
1	SC_VAL_40p	40 pF
2	SC_VAL_30p	30 pF
3	SC_VAL_60p	60 pF

**Bits 3:0 – OUTCUR\_PLLA[3:0] PLLA Output Current**

Value	Name	Description
0	ICP0	0.5 mA
1	ICP1	0.75 mA
2	ICP2	1 mA
3	ICP3	1.25 mA



**28.16.16 PMC Write Protection Mode Register**

**Name:** PMC\_WPMR  
**Offset:** 0x00E4  
**Reset:** 0x00000000  
**Property:** Read/Write

Bit	31	30	29	28	27	26	25	24
	WPKEY[23:16]							
Access	W	W	W	W	W	W	W	W
Reset	0	0	0	0	0	0	0	0
Bit	23	22	21	20	19	18	17	16
	WPKEY[15:8]							
Access	W	W	W	W	W	W	W	W
Reset	0	0	0	0	0	0	0	0
Bit	15	14	13	12	11	10	9	8
	WPKEY[7:0]							
Access	W	W	W	W	W	W	W	W
Reset	0	0	0	0	0	0	0	0
Bit	7	6	5	4	3	2	1	0
							WPITEN	WPEN
Access							R/W	R/W
Reset							0	0

**Bits 31:8 – WPKEY[23:0] Write Protection Key**

Value	Name	Description
0x504D43	PASSWD	Writing any other value in this field aborts the write operation of the WPEN bit. Always reads as 0.

**Bit 1 – WPITEN Write Protection Interrupt Enable**

See [Register Write Protection](#) for the list of registers that can be write-protected.

Value	Description
0	Disables the write protection on interrupt registers if WPKEY corresponds to 0x504D43 ("PMC" in ASCII).
1	Enables the write protection on interrupt registers if WPKEY corresponds to 0x504D43 ("PMC" in ASCII).

**Bit 0 – WPEN Write Protection Enable**

See [Register Write Protection](#) for the list of registers that can be write-protected.

Value	Description
0	Disables the write protection if WPKEY corresponds to 0x504D43 ("PMC" in ASCII).
1	Enables the write protection if WPKEY corresponds to 0x504D43 ("PMC" in ASCII).

**28.16.17 PMC Write Protection Status Register**

**Name:** PMC\_WPSR  
**Offset:** 0x00E8  
**Reset:** 0x00000000  
**Property:** Read-only

Bit	31	30	29	28	27	26	25	24
Access								
Reset								
Bit	23	22	21	20	19	18	17	16
	WPVSRC[15:8]							
Access	R	R	R	R	R	R	R	R
Reset	0	0	0	0	0	0	0	0
Bit	15	14	13	12	11	10	9	8
	WPVSRC[7:0]							
Access	R	R	R	R	R	R	R	R
Reset	0	0	0	0	0	0	0	0
Bit	7	6	5	4	3	2	1	0
								WPVS
Access								R
Reset								0

**Bits 23:8 – WPVSRC[15:0]** Write Protection Violation Source

When WPVS = 1, WPVSRC indicates the register address offset at which a write access has been attempted.

**Bit 0 – WPVS** Write Protection Violation Status

Value	Description
0	No write protection violation has occurred since the last read of the PMC_WPSR.
1	A write protection violation has occurred since the last read of the PMC_WPSR. If this violation is an unauthorized attempt to write a protected register, the associated violation is reported into field WPVSRC.

## 28.16.18 PMC Peripheral Control Register

**Name:** PMC\_PCR  
**Offset:** 0x010C  
**Reset:** 0x00000000  
**Property:** Read/Write

Bit	31	30	29	28	27	26	25	24
			GCLKEN	EN	GCLKDIV[7:4]			
Access			R/W	R/W	R/W	R/W	R/W	R/W
Reset			0	0	0	0	0	0
Bit	23	22	21	20	19	18	17	16
	GCLKDIV[3:0]							
Access	R/W	R/W	R/W	R/W				
Reset	0	0	0	0				
Bit	15	14	13	12	11	10	9	8
				CMD	GCLKCSS[3:0]			
Access				R/W	R/W	R/W	R/W	R/W
Reset				0	0	0	0	0
Bit	7	6	5	4	3	2	1	0
			PID[6:0]					
Access			R/W	R/W	R/W	R/W	R/W	R/W
Reset			0	0	0	0	0	0

**Bit 29 – GCLKEN** Generic Clock Enable

Value	Description
0	The selected Generic clock is disabled.
1	The selected Generic clock is enabled.

**Bit 28 – EN** Enable

Value	Description
0	Selected Peripheral clock is disabled.
1	Selected Peripheral clock is enabled.

**Bits 27:20 – GCLKDIV[7:0]** Generic Clock Division Ratio

Generic clock is the selected clock period divided by GCLKDIV + 1.

GCLKDIV must not be changed while the peripheral selects GCLKx (e.g., bit rate, etc.).

**Bit 12 – CMD** Command

Value	Description
0	Read mode.
1	Write mode.

**Bits 11:8 – GCLKCSS[3:0]** Generic Clock Source Selection

Value	Name	Description
0	SLOW_CLK	MD_SLCK is selected
1	MAIN_CLK	MAINCK is selected
2	PLLA_CLK	PLLACK is selected
3	PLLB_CLK	PLLBACK is selected
4	MCK_CLK	MCK is selected
5	RC2CK	RC2CK is selected

**Bits 6:0 – PID[6:0] Peripheral ID**

Peripheral ID selection from PID2 to PID127.

“PID2 to PID127” refers to identifiers as defined in section “Peripheral Identifiers”.

### 28.16.19 PMC Oscillator Calibration Register

**Name:** PMC\_OCR1  
**Offset:** 0x0110  
**Reset:** 0x12121212  
**Property:** Read/Write

This register can only be written if the WPEN bit is cleared in the [PMC Write Protection Mode Register](#).

Bit	31	30	29	28	27	26	25	24
	SEL12		CAL10[6:0]					
Access	R/W	R/W	R/W	R/W	R/W	R/W	R/W	R/W
Reset	0	0	0	1	0	0	1	0
Bit	23	22	21	20	19	18	17	16
	SEL10		CAL12[6:0]					
Access	R/W	R/W	R/W	R/W	R/W	R/W	R/W	R/W
Reset	0	0	0	1	0	0	1	0
Bit	15	14	13	12	11	10	9	8
	SEL8		CAL8[6:0]					
Access	R/W	R/W	R/W	R/W	R/W	R/W	R/W	R/W
Reset	0	0	0	1	0	0	1	0
Bit	7	6	5	4	3	2	1	0
	SEL4		CAL4[6:0]					
Access	R/W	R/W	R/W	R/W	R/W	R/W	R/W	R/W
Reset	0	0	0	1	0	0	1	0

#### Bit 31 – SEL12 Selection of Main RC Oscillator Calibration Bits for 12 MHz

Value	Description
0	Factory-determined value stored in Flash memory.
1	Value written by user in CAL12 field of this register.

#### Bits 30:24 – CAL10[6:0] Main RC Oscillator Calibration Bits for 10 MHz

Calibration bits applied to the RC Oscillator when SEL10 is set.

The value read in this register depends on the value of SEL10:

If SEL10 is set to one, the calibration value stored in the Flash memory is read back

If SEL10 is set to zero, the last calibration value written in this field is read back

ftrim[2:0] is placed on CAL10[4:2]

ttrim[1:0] is placed on CAL10[1:0]

#### Bit 23 – SEL10 Selection of Main RC Oscillator Calibration Bits for 10 MHz

Value	Description
0	Factory-determined value stored in Flash memory.
1	Value written by user in CAL10 field of this register.

#### Bits 22:16 – CAL12[6:0] Main RC Oscillator Calibration Bits for 12 MHz

Calibration bits applied to the RC Oscillator when SEL12 is set.

The value read in this register depends on the value of SEL12:

If SEL12 is set to one, the calibration value stored in the Flash memory is read back

If SEL12 is set to zero, the last calibration value written in this field is read back

ftrim[2:0] is placed on CAL12[4:2]

ttrim[1:0] is placed on CAL12[1:0]

**Bit 15 – SEL8** Selection of Main RC Oscillator Calibration Bits for 8 MHz

Value	Description
0	Factory-determined value stored in Flash memory.
1	Value written by user in CAL8 field of this register.

**Bits 14:8 – CAL8[6:0]** Main RC Oscillator Calibration Bits for 8 MHz

Calibration bits applied to the RC Oscillator when SEL8 is set to one.

The value read in this register depends on the value of SEL8:

If SEL8 is set to one, the calibration value stored in the Flash memory is read back

If SEL8 is set to zero, the last calibration value written in this field is read back

ftrim[2:0] is placed on CAL8[4:2]

ttrim[1:0] is placed on CAL8[1:0]

**Bit 7 – SEL4** Selection of Main RC Oscillator Calibration Bits for 4 MHz

ftrim4MHZ[2:0] is placed on CAL4[4:2]

ttrim[1:0] is placed on CAL4[1:0]

Value	Description
0	Default value stored in Flash memory.
1	Value written by user in CAL4 field of this register.

**Bits 6:0 – CAL4[6:0]** Main RC Oscillator Calibration Bits for 4 MHz

Calibration bits applied to the RC Oscillator when SEL4 is set to one.

The value read in this register depends on the value of SEL4:

If SEL4 is set to one, the calibration value stored in the Flash memory is read back

If SEL4 is set to zero, the last calibration value written in this field is read back

ftrim[2:0] is placed on CAL4[4:2]

ttrim[1:0] is placed on CAL4[1:0]

## 28.16.20 PLL Maximum Multiplier Value Register

**Name:** PMC\_PMMR  
**Offset:** 0x0130  
**Reset:** 0x1FFF1FFF  
**Property:** Read/Write

This register can only be written if the WPEN bit is cleared in the [PMC Write Protection Mode Register](#).

Bit	31	30	29	28	27	26	25	24	
							PLLB_MMAX[10:8]		
Access						R/W	R/W	R/W	
Reset						1	1	1	
Bit	23	22	21	20	19	18	17	16	
	PLLB_MMAX[7:0]								
Access	R/W	R/W	R/W	R/W	R/W	R/W	R/W	R/W	
Reset	1	1	1	1	1	1	1	1	
Bit	15	14	13	12	11	10	9	8	
							PLLA_MMAX[10:8]		
Access						R/W	R/W	R/W	
Reset						1	1	1	
Bit	7	6	5	4	3	2	1	0	
	PLLA_MMAX[7:0]								
Access	R/W	R/W	R/W	R/W	R/W	R/W	R/W	R/W	
Reset	1	1	1	1	1	1	1	1	

### Bits 26:16 – PLLB\_MMAX[10:0] PLLB Maximum Allowed Multiplier Value

Defines the maximum value of multiplication factor that can be sent to PLLB. Any value of the MULB field (see [PMC Clock Generator PLLB Register](#)) above PLLB\_MMAX is saturated to PLLB\_MMAX. PLLB\_MMAX write operation is cancelled in the following cases:

- The value of MULB is currently saturated by PLLB\_MMAX.
- The user is trying to write a value of PLLB\_MMAX that is smaller than the current value of MULB.

### Bits 10:0 – PLLA\_MMAX[10:0] PLLA Maximum Allowed Multiplier Value

Defines the maximum value of multiplication factor that can be sent to PLLA. Any value of the MULA field (see [PMC Clock Generator PLLA Register](#)) above PLLA\_MMAX is saturated to PLLA\_MMAX. PLLA\_MMAX write operation is cancelled in the following cases:

- The value of MULA is currently saturated by PLLA\_MMAX.
- The user is trying to write a value of PLLA\_MMAX that is smaller than the current value of MULA.

## 28.16.21 PMC CPU Monitor Limits Register

**Name:** PMC\_CPULIM  
**Offset:** 0x0160  
**Reset:** 0x00000000  
**Property:** Read/Write

Bit	31	30	29	28	27	26	25	24
	CPU_HIGH_RES[7:0]							
Access	R/W	R/W	R/W	R/W	R/W	R/W	R/W	R/W
Reset	0	0	0	0	0	0	0	0
Bit	23	22	21	20	19	18	17	16
	CPU_LOW_RES[7:0]							
Access	R/W	R/W	R/W	R/W	R/W	R/W	R/W	R/W
Reset	0	0	0	0	0	0	0	0
Bit	15	14	13	12	11	10	9	8
	CPU_HIGH_IT[7:0]							
Access	R/W	R/W	R/W	R/W	R/W	R/W	R/W	R/W
Reset	0	0	0	0	0	0	0	0
Bit	7	6	5	4	3	2	1	0
	CPU_LOW_IT[7:0]							
Access	R/W	R/W	R/W	R/W	R/W	R/W	R/W	R/W
Reset	0	0	0	0	0	0	0	0

**Bits 31:24 – CPU\_HIGH\_RES[7:0]** CPU Monitoring High Reset Limit  
 Beyond this limit, the CPU frequency monitor generates a reset.

**Bits 23:16 – CPU\_LOW\_RES[7:0]** CPU Monitoring Low RESET Limit  
 Below this limit, the CPU frequency monitor generates a reset.

**Bits 15:8 – CPU\_HIGH\_IT[7:0]** CPU Monitoring High IT Limit  
 Beyond this limit, the CPU frequency monitor generates an interrupt.

**Bits 7:0 – CPU\_LOW\_IT[7:0]** CPU Monitoring Low IT Limit  
 Below this limit, the CPU frequency monitor generates an interrupt.



**28.16.22 PMC Peripheral Clock Status Register 0**

**Name:** PMC\_CSRO  
**Offset:** 0x0170  
**Reset:** 0x00000200  
**Property:** Read-only

Depending on the product, not all PIDx may be implemented. For details, refer to the section "Peripheral Identifiers".

Bit	31	30	29	28	27	26	25	24
	PID31	PID30	PID29	PID28	PID27	PID26	PID25	PID24
Access	R	R	R	R	R	R	R	R
Reset	0	0	0	0	0	0	0	0
Bit	23	22	21	20	19	18	17	16
	PID23	PID22	PID21	PID20	PID19	PID18	PID17	PID16
Access	R	R	R	R	R	R	R	R
Reset	0	0	0	0	0	0	0	0
Bit	15	14	13	12	11	10	9	8
	PID15	PID14	PID13	PID12	PID11	PID10	PID9	PID8
Access	R	R	R	R	R	R	R	R
Reset	0	0	0	0	0	0	1	0
Bit	7	6	5	4	3	2	1	0
	PID7	PID6	PID5	PID4	PID3	PID2	PID1	PID0
Access	R	R	R	R	R	R	R	R
Reset	0	0	0	0	0	0	0	0

**Bits 0, 1, 2, 3, 4, 5, 6, 7, 8, 9, 10, 11, 12, 13, 14, 15, 16, 17, 18, 19, 20, 21, 22, 23, 24, 25, 26, 27, 28, 29, 30, 31 – PIDx Peripheral Clock x Status**

Value	Description
0	The corresponding peripheral clock is disabled.
1	The corresponding peripheral clock is enabled.

### 28.16.23 PMC Peripheral Clock Status Register 1

**Name:** PMC\_CSR1  
**Offset:** 0x0174  
**Reset:** 0x08040000  
**Property:** Read-only

Depending on the product, not all PIDx may be implemented. For details, refer to the section "Peripheral Identifiers".

Bit	31	30	29	28	27	26	25	24
	PID63	PID62	PID61	PID60	PID59	PID58	PID57	PID56
Access	R	R	R	R	R	R	R	R
Reset	0	0	0	0	1	0	0	0
Bit	23	22	21	20	19	18	17	16
	PID55	PID54	PID53	PID52	PID51	PID50	PID49	PID48
Access	R	R	R	R	R	R	R	R
Reset	0	0	0	0	0	1	0	0
Bit	15	14	13	12	11	10	9	8
	PID47	PID46	PID45	PID44	PID43	PID42	PID41	PID40
Access	R	R	R	R	R	R	R	R
Reset	0	0	0	0	0	0	0	0
Bit	7	6	5	4	3	2	1	0
	PID39	PID38	PID37	PID36	PID35	PID34	PID33	PID32
Access	R	R	R	R	R	R	R	R
Reset	0	0	0	0	0	0	0	0

**Bits 0, 1, 2, 3, 4, 5, 6, 7, 8, 9, 10, 11, 12, 13, 14, 15, 16, 17, 18, 19, 20, 21, 22, 23, 24, 25, 26, 27, 28, 29, 30, 31 – PIDx Peripheral Clock x Status**

Value	Description
0	The corresponding peripheral clock is disabled.
1	The corresponding peripheral clock is enabled.

**28.16.24 PMC Peripheral Clock Status Register 2**

**Name:** PMC\_CSR2  
**Offset:** 0x0178  
**Reset:** 0x00000002  
**Property:** Read-only

Depending on the product, not all PIDx may be implemented. For details, refer to the section "Peripheral Identifiers".

Bit	31	30	29	28	27	26	25	24
	PID95	PID94	PID93	PID92	PID91	PID90	PID89	PID88
Access	R	R	R	R	R	R	R	R
Reset	0	0	0	0	0	0	0	0
Bit	23	22	21	20	19	18	17	16
	PID87	PID86	PID85	PID84	PID83	PID82	PID81	PID80
Access	R	R	R	R	R	R	R	R
Reset	0	0	0	0	0	0	0	0
Bit	15	14	13	12	11	10	9	8
	PID79	PID78	PID77	PID76	PID75	PID74	PID73	PID72
Access	R	R	R	R	R	R	R	R
Reset	0	0	0	0	0	0	0	0
Bit	7	6	5	4	3	2	1	0
	PID71	PID70	PID69	PID68	PID67	PID66	PID65	PID64
Access	R	R	R	R	R	R	R	R
Reset	0	0	0	0	0	0	1	0

**Bits 0, 1, 2, 3, 4, 5, 6, 7, 8, 9, 10, 11, 12, 13, 14, 15, 16, 17, 18, 19, 20, 21, 22, 23, 24, 25, 26, 27, 28, 29, 30, 31 – PIDx Peripheral Clock x Status**

Value	Description
0	The corresponding peripheral clock is disabled.
1	The corresponding peripheral clock is enabled.

**28.16.25 PMC Peripheral Clock Status Register 3**

**Name:** PMC\_CSR3  
**Offset:** 0x017C  
**Reset:** 0x00000000  
**Property:** Read-only

Depending on the product, not all PIDx may be implemented. For details, refer to the section "Peripheral Identifiers".

Bit	31	30	29	28	27	26	25	24
	PID127	PID126	PID125	PID124	PID123	PID122	PID121	PID120
Access	R	R	R	R	R	R	R	R
Reset	0	0	0	0	0	0	0	0
Bit	23	22	21	20	19	18	17	16
	PID119	PID118	PID117	PID116	PID115	PID114	PID113	PID112
Access	R	R	R	R	R	R	R	R
Reset	0	0	0	0	0	0	0	0
Bit	15	14	13	12	11	10	9	8
	PID111	PID110	PID109	PID108	PID107	PID106	PID105	PID104
Access	R	R	R	R	R	R	R	R
Reset	0	0	0	0	0	0	0	0
Bit	7	6	5	4	3	2	1	0
	PID103	PID102	PID101	PID100	PID99	PID98	PID97	PID96
Access	R	R	R	R	R	R	R	R
Reset	0	0	0	0	0	0	0	0

**Bits 0, 1, 2, 3, 4, 5, 6, 7, 8, 9, 10, 11, 12, 13, 14, 15, 16, 17, 18, 19, 20, 21, 22, 23, 24, 25, 26, 27, 28, 29, 30, 31 – PIDx Peripheral Clock x Status**

Value	Description
0	The corresponding peripheral clock is disabled.
1	The corresponding peripheral clock is enabled.

**28.16.26 PMC Generic Clock Status Register 0**

**Name:** PMC\_GCSR0  
**Offset:** 0x0190  
**Reset:** 0x00000000  
**Property:** Read-only

Depending on the product, not all GPIDx may be implemented. For details, refer to the section "Peripheral Identifiers".

Bit	31	30	29	28	27	26	25	24
	GPID31	GPID30	GPID29	GPID28	GPID27	GPID26	GPID25	GPID24
Access	R	R	R	R	R	R	R	R
Reset	0	0	0	0	0	0	0	0
Bit	23	22	21	20	19	18	17	16
	GPID23	GPID22	GPID21	GPID20	GPID19	GPID18	GPID17	GPID16
Access	R	R	R	R	R	R	R	R
Reset	0	0	0	0	0	0	0	0
Bit	15	14	13	12	11	10	9	8
	GPID15	GPID14	GPID13	GPID12	GPID11	GPID10	GPID9	GPID8
Access	R	R	R	R	R	R	R	R
Reset	0	0	0	0	0	0	0	0
Bit	7	6	5	4	3	2	1	0
	GPID7	GPID6	GPID5	GPID4	GPID3	GPID2	GPID1	GPID0
Access	R	R	R	R	R	R	R	R
Reset	0	0	0	0	0	0	0	0

**Bits 0, 1, 2, 3, 4, 5, 6, 7, 8, 9, 10, 11, 12, 13, 14, 15, 16, 17, 18, 19, 20, 21, 22, 23, 24, 25, 26, 27, 28, 29, 30, 31 – GPIDx Generic Clock x Status**

Value	Description
0	The corresponding Generic clock is disabled.
1	The corresponding Generic clock is enabled.

**28.16.27 PMC Generic Clock Status Register 1**

**Name:** PMC\_GCSR1  
**Offset:** 0x0194  
**Reset:** 0x00000000  
**Property:** Read-only

Depending on the product, not all GPIDx may be implemented. For details, refer to the section "Peripheral Identifiers".

Bit	31	30	29	28	27	26	25	24
	GPID63	GPID62	GPID61	GPID60	GPID59	GPID58	GPID57	GPID56
Access	R	R	R	R	R	R	R	R
Reset	0	0	0	0	0	0	0	0
Bit	23	22	21	20	19	18	17	16
	GPID55	GPID54	GPID53	GPID52	GPID51	GPID50	GPID49	GPID48
Access	R	R	R	R	R	R	R	R
Reset	0	0	0	0	0	0	0	0
Bit	15	14	13	12	11	10	9	8
	GPID47	GPID46	GPID45	GPID44	GPID43	GPID42	GPID41	GPID40
Access	R	R	R	R	R	R	R	R
Reset	0	0	0	0	0	0	0	0
Bit	7	6	5	4	3	2	1	0
	GPID39	GPID38	GPID37	GPID36	GPID35	GPID34	GPID33	GPID32
Access	R	R	R	R	R	R	R	R
Reset	0	0	0	0	0	0	0	0

**Bits 0, 1, 2, 3, 4, 5, 6, 7, 8, 9, 10, 11, 12, 13, 14, 15, 16, 17, 18, 19, 20, 21, 22, 23, 24, 25, 26, 27, 28, 29, 30, 31 – GPIDx Generic Clock x Status**

Value	Description
0	The corresponding Generic clock is disabled.
1	The corresponding Generic clock is enabled.

**28.16.28 PMC Generic Clock Status Register 2**

**Name:** PMC\_GCSR2  
**Offset:** 0x0198  
**Reset:** 0x00000000  
**Property:** Read-only

Depending on the product, not all GPIDx may be implemented. For details, refer to the section "Peripheral Identifiers".

Bit	31	30	29	28	27	26	25	24
	GPID95	GPID94	GPID93	GPID92	GPID91	GPID90	GPID89	GPID88
Access	R	R	R	R	R	R	R	R
Reset	0	0	0	0	0	0	0	0
Bit	23	22	21	20	19	18	17	16
	GPID87	GPID86	GPID85	GPID84	GPID83	GPID82	GPID81	GPID80
Access	R	R	R	R	R	R	R	R
Reset	0	0	0	0	0	0	0	0
Bit	15	14	13	12	11	10	9	8
	GPID79	GPID78	GPID77	GPID76	GPID75	GPID74	GPID73	GPID72
Access	R	R	R	R	R	R	R	R
Reset	0	0	0	0	0	0	0	0
Bit	7	6	5	4	3	2	1	0
	GPID71	GPID70	GPID69	GPID68	GPID67	GPID66	GPID65	GPID64
Access	R	R	R	R	R	R	R	R
Reset	0	0	0	0	0	0	0	0

**Bits 0, 1, 2, 3, 4, 5, 6, 7, 8, 9, 10, 11, 12, 13, 14, 15, 16, 17, 18, 19, 20, 21, 22, 23, 24, 25, 26, 27, 28, 29, 30, 31 – GPIDx Generic Clock x Status**

Value	Description
0	The corresponding Generic clock is disabled.
1	The corresponding Generic clock is enabled.

**28.16.29 PMC Generic Clock Status Register 3**

**Name:** PMC\_GCSR3  
**Offset:** 0x019C  
**Reset:** 0x00000000  
**Property:** Read-only

Depending on the product, not all GPIDx may be implemented. For details, refer to the section "Peripheral Identifiers".

Bit	31	30	29	28	27	26	25	24
	GPID127	GPID126	GPID125	GPID124	GPID123	GPID122	GPID121	GPID120
Access	R	R	R	R	R	R	R	R
Reset	0	0	0	0	0	0	0	0
Bit	23	22	21	20	19	18	17	16
	GPID119	GPID118	GPID117	GPID116	GPID115	GPID114	GPID113	GPID112
Access	R	R	R	R	R	R	R	R
Reset	0	0	0	0	0	0	0	0
Bit	15	14	13	12	11	10	9	8
	GPID111	GPID110	GPID109	GPID108	GPID107	GPID106	GPID105	GPID104
Access	R	R	R	R	R	R	R	R
Reset	0	0	0	0	0	0	0	0
Bit	7	6	5	4	3	2	1	0
	GPID103	GPID102	GPID101	GPID100	GPID99	GPID98	GPID97	GPID96
Access	R	R	R	R	R	R	R	R
Reset	0	0	0	0	0	0	0	0

**Bits 0, 1, 2, 3, 4, 5, 6, 7, 8, 9, 10, 11, 12, 13, 14, 15, 16, 17, 18, 19, 20, 21, 22, 23, 24, 25, 26, 27, 28, 29, 30, 31 – GPIDx Generic Clock x Status**

Value	Description
0	The corresponding Generic clock is disabled.
1	The corresponding Generic clock is enabled.



### 28.16.30 PMC Oscillator Control Register 2

**Name:** PMC\_OSC2  
**Offset:** 0x01B0  
**Reset:** 0x00000021  
**Property:** Read/Write

Bit	31	30	29	28	27	26	25	24
Access								
Reset								
Bit	23	22	21	20	19	18	17	16
Access	KEY[7:0]							
Reset	R/W	R/W	R/W	R/W	R/W	R/W	R/W	R/W
Reset	0	0	0	0	0	0	0	0
Bit	15	14	13	12	11	10	9	8
Access								EN_WR_CALI
Reset								B
Reset								R/W
Reset								0
Bit	7	6	5	4	3	2	1	0
Access			OSCRCF[1:0]					EN
Reset			R/W	R/W				R/W
Reset			1	0				1

#### Bits 23:16 – KEY[7:0] Calibration Register Write Key

Always reads as '0'.

Value	Name	Description
0x37	PASSWD	Unlock key to enable writes to calibration registers. Writing any other value to KEY will abort the Write operation.

#### Bit 8 – EN\_WR\_CALIB Enable Calibration Register Write

Value	Description
0	Disable write of the calibration register for the active frequency.
1	Enable write of the calibration register for the active frequency.

#### Bits 5:4 – OSCRCF[1:0] Second Oscillator Frequency Selection

At start-up, the second RC oscillator frequency is 4 MHz.

Value	Name	Description
0	4_MHz	The second RC oscillator frequency is at 4 MHz.
1	8_MHz	The second RC oscillator frequency is at 8 MHz.
2	10_MHz	The second RC oscillator frequency is at 10 MHz.
3	12_MHz	The second RC oscillator frequency is at 12 MHz.

#### Bit 0 – EN Enable

Value	Description
0	The 2nd fast oscillator is disabled.
1	The 2nd fast oscillator is enabled.

## 28.16.31 PMC Oscillator Calibration Register 2

**Name:** PMC\_OCR2  
**Offset:** 0x01B4  
**Reset:** 0x12121212  
**Property:** Read/Write

This register can only be written if the WPEN bit is cleared in the [PMC Write Protection Mode Register](#).

Bit	31	30	29	28	27	26	25	24
	SEL10		CAL10[6:0]					
Access	R/W	R/W	R/W	R/W	R/W	R/W	R/W	R/W
Reset	0	0	0	1	0	0	1	0
Bit	23	22	21	20	19	18	17	16
	SEL12		CAL12[6:0]					
Access	R/W	R/W	R/W	R/W	R/W	R/W	R/W	R/W
Reset	0	0	0	1	0	0	1	0
Bit	15	14	13	12	11	10	9	8
	SEL8		CAL8[6:0]					
Access	R/W	R/W	R/W	R/W	R/W	R/W	R/W	R/W
Reset	0	0	0	1	0	0	1	0
Bit	7	6	5	4	3	2	1	0
	SEL4		CAL4[6:0]					
Access	R/W	R/W	R/W	R/W	R/W	R/W	R/W	R/W
Reset	0	0	0	1	0	0	1	0

### Bit 31 – SEL10 Selection of Second RC Oscillator Calibration Bits for 10 MHz

Value	Description
0	Factory-determined value stored in Flash memory.
1	Value written by user in CAL10 field of this register.

### Bits 30:24 – CAL10[6:0] Second RC Oscillator Calibration Bits for 10 MHz

Calibration bits applied to the second RC Oscillator when SEL10 is set.

The value read in this register depends on the value of SEL10:

If SEL10 is set to one, the calibration value stored in the Flash memory is read back

If SEL10 is set to zero, the last calibration value written in this field is read back

ftrim[2:0] is placed on CAL10[4:2]

ttrim[1:0] is placed on CAL10[1:0]

### Bit 23 – SEL12 Selection of Second RC Oscillator Calibration Bits for 12 MHz

Value	Description
0	Factory-determined value stored in Flash memory.
1	Value written by user in CAL12 field of this register.

### Bits 22:16 – CAL12[6:0] Second RC Oscillator Calibration Bits for 12 MHz

Calibration bits applied to the second RC Oscillator when SEL12 is set.

The value read in this register depends on the value of SEL12:

If SEL12 is set to one, the calibration value stored in the Flash memory is read back

If SEL12 is set to zero, the last calibration value written in this field is read back

ftrim[2:0] is placed on CAL12[4:2]

ttrim[1:0] is placed on CAL12[1:0]

**Bit 15 – SEL8** Selection of Second RC Oscillator Calibration Bits for 8 MHz

Value	Description
0	Factory-determined value stored in Flash memory.
1	Value written by user in CAL8 field of this register.

**Bits 14:8 – CAL8[6:0]** Second RC Oscillator Calibration Bits for 8 MHz

Calibration bits applied to the second RC Oscillator when SEL8 is set to one.

The value read in this register depends on the value of SEL8:

If SEL8 is set to one, the calibration value stored in the Flash memory is read back

If SEL8 is set to zero, the last calibration value written in this field is read back

ftrim[2:0] is placed on CAL8[4:2]

ttrim[1:0] is placed on CAL8[1:0]

**Bit 7 – SEL4** Selection of Second RC Oscillator Calibration Bits for 4 MHz

Value	Description
0	Default value stored in Flash memory.
1	Value written by user in CAL4 field of this register.

**Bits 6:0 – CAL4[6:0]** Second RC Oscillator Calibration Bits for 4 MHz

Calibration bits applied to the second RC Oscillator when SEL4 is set to one.

The value read in this register depends on the value of SEL4:

If SEL4 is set to one, the calibration value stored in the Flash memory is read back

If SEL4 is set to zero, the last calibration value written in this field is read back

ftrim[2:0] is placed on CAL4[4:2]

ttrim[1:0] is placed on CAL4[1:0]

## 29. Parallel Input/Output Controller (PIO)

### 29.1 Description

The Parallel Input/Output Controller (PIO) manages up to 122 fully programmable input/output lines. Each I/O line may be dedicated as a general-purpose I/O or be assigned to a function of an embedded peripheral. This ensures effective optimization of the pins of the product.

Each I/O line of the PIO Controller features are as follows:

- An input change interrupt enabling level change detection on any I/O line
- Rising edge, falling edge, both edge, low-level or high-level detection on any I/O line
- Multi-Output Drive Capability
- Control of the pull-up and pull-down of the I/O line
- Input visibility and output control

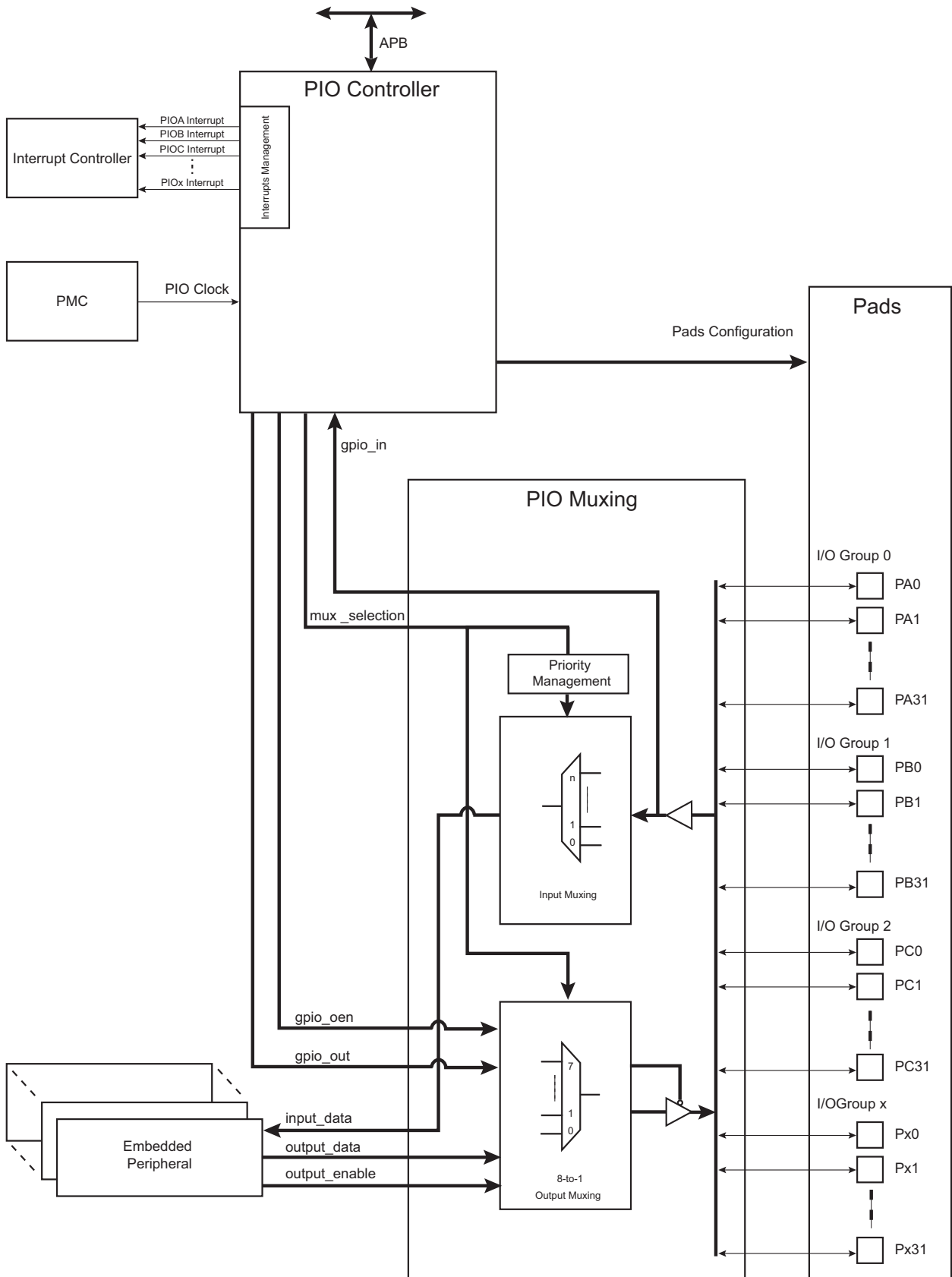
The PIO Controller also features a synchronous output providing up to 32 bits of data output in a single write operation.

### 29.2 Embedded Characteristics

- Up to 122 Programmable I/O Lines
- Multiplexing of 5 Peripheral Functions per I/O Line
- For Each I/O Line, Whether Assigned to a Peripheral or Used as General-purpose I/O
  - Input change interrupt
  - Multi-drive option
  - Programmable pull-up/pull-down on each I/O line
  - Pin data status register, supplies visibility of the level on the pin at any time
  - Programmable event: rising edge, falling edge, both edge, low-level or high-level
  - Configuration lock by the connected peripheral
  - Programmable configuration lock (active until next  $V_{DDCORE}$  reset) to protect against further software modifications (intentional or unintentional)
- Register Write Protection Against Unintentional Software Modifications:
  - One configuration bit to enable or disable protection of I/O line settings
  - One configuration bit to enable or disable protection of interrupt settings
- Synchronous Output, Possibility to Set or Clear Simultaneously up to 32 I/O Lines in a Single Write
- Programmable Schmitt Trigger Inputs
- Programmable I/O Drive

### 29.3 Block Diagram

Figure 29-1. Block Diagram



**Notes:**

1.  $x = 3$  (the number of I/O group is 4).
2.  $n$  depends on the number of I/O lines affected to the peripheral input.

## 29.4 Product Dependencies

### 29.4.1 Pin Multiplexing

Each pin is configurable, depending on the product, as either a general-purpose I/O line only, or as an I/O line multiplexed with up to 5 peripheral I/Os. As the multiplexing is hardware defined and thus product-dependent, the hardware designer and programmer must carefully determine the configuration of the PIO Controllers required by their application. When an I/O line is general-purpose only, i.e., not multiplexed with any peripheral I/O, programming of the PIO Controller regarding the assignment to a peripheral has no effect and only the PIO Controller can control how the pin is driven by the product.

### 29.4.2 Power Management

The Power Management Controller (PMC) controls the PIO Controller clock in order to save power. Writing any of the registers of the user interface does not require the PIO Controller clock to be enabled. This means that the configuration of the I/O lines does not require the PIO Controller clock to be enabled.

However, when the clock is disabled, not all of the features of the PIO Controller are available, including glitch filtering. Note that the input change interrupt, the interrupt modes on a programmable event and the read of the pin level require the clock to be validated.

After a hardware reset, the PIO clock is disabled by default.

The user must configure the PMC before any access to the input line information.

### 29.4.3 Interrupt Generation

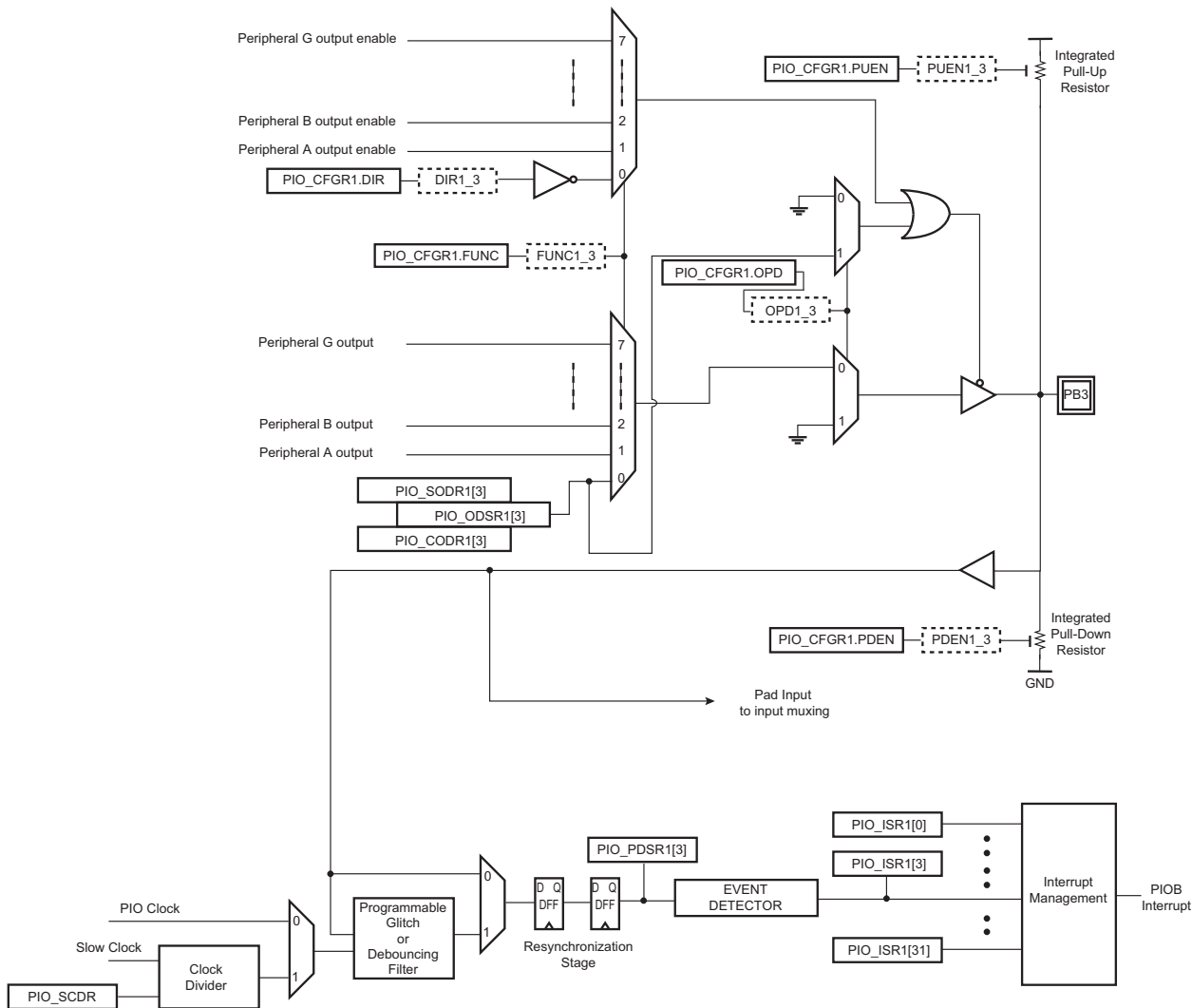
For interrupt handling, the PIO Controllers are considered as user peripherals. This means that the PIO Controller interrupt lines are connected among the interrupt sources. The PIO Controller supply one interrupt signal per I/O group. Refer to the PIO Controller peripheral identifier in the product description to identify the interrupt sources dedicated to the PIO Controller. Using the PIO Controller requires the Interrupt Controller to be programmed first.

The PIO Controller interrupt can be generated only if the PIO Controller clock is enabled.

## 29.5 Functional Description

The PIO Controller features up to 122 fully-programmable I/O lines. Most of the control logic associated to each I/O is represented in the figure below, where the I/O line 3 of the PIOB (PB3) is described as an example. In this description each signal shown represents one of up to 122 possible indexes.

Figure 29-2. I/O Line Control Logic



### 29.5.1 I/O Line Configuration Method

The user interface of the PIO Controller provides several sets of registers. Each set of registers interfaces with one I/O group.

Table 29-1. I/O Group List

I/O Group Number	PIO
0	PIOA
1	PIOB
...	...
3	PIOD

#### 29.5.1.1 Programming I/O Line Configuration

The user must first define which I/O line in the group will be targeted by writing a 1 to the corresponding bit in the Mask register (PIO\_MSKRx). Several I/O lines in an I/O group can be configured at the same time by setting the corresponding bits in PIO\_MSKRx. Then, write the Configuration register (PIO\_CFGRx) to apply the configuration to the I/O line(s) defined in PIO\_MSKRx.

### 29.5.1.2 Reading I/O Line Configuration

Reading configuration requires the user to first define which I/O line in the group x will be targeted by writing a 1 to the corresponding bit in PIO\_MSKRx. The value of the targeted I/O line is read in PIO\_CFGRx.

If several bits are set in PIO\_MSKRx, then the read configuration in PIO\_CFGRx is the configuration of the I/O line with the lowest index.

### 29.5.2 Pull-up and Pull-down Resistor Control

Each I/O line is designed with an embedded pull-up resistor and an embedded pull-down resistor.

The pull-up resistor on the I/O line(s) defined in PIO\_MSKRx can be enabled by setting the PUEN bit in PIO\_CFGRx. Clearing the PUEN bit in PIO\_CFGRx disables the pull-up resistor of I/O lines defined in PIO\_MSKRx.

The pull-down resistor on the I/O line(s) defined in PIO\_MSKRx can be enabled by setting the PDEN bit in PIO\_CFGRx. Clearing the PDEN bit in PIO\_CFGRx disables the pull-down resistor of I/O lines defined in PIO\_MSKRx.

If both PUEN and PDEN bit are set in PIO\_CFGRx, only the pull-up resistor is enabled for I/O line(s) defined in PIO\_MSKRx and the PDEN bit is discarded.

Control of the pull-up resistor is possible regardless of the configuration of the I/O line (Input, Output, Open-drain).

For more details concerning pull-up and pull-down configuration, see [29.7.2. PIO\\_CFGRx](#).

The reset value of PUEN and PDEN bits of each I/O line is defined at the product level and depends on the multiplexing of the device.

### 29.5.3 General-Purpose or Peripheral Function Selection

The PIO Controller provides multiplexing of up to 5 peripheral functions on a single pin. The selection is performed by writing the FUNC field in PIO\_CFGRx. The selected function is applied to the I/O line(s) defined in PIO\_MSKRx.

When FUNC is 0, no peripheral is selected and the General-Purpose PIO (GPIO) mode is selected (in this mode, the I/O line is controlled by the PIO Controller).

When FUNC is not 0, the peripheral selected to control the I/O line depends on the FUNC value.

For more details, see [29.7.2. PIO\\_CFGRx](#).

Note that multiplexing of peripheral lines affects both input and output peripheral lines. When a peripheral is not selected on any I/O line, its inputs are assigned with constant default values defined at the product level. The user must ensure that only one I/O line is affected to a peripheral input at a time.

The reset value of the FUNC field of each I/O line is defined at the product level and depends on the multiplexing of the device.

### 29.5.4 Output Control

When the I/O line is assigned to a peripheral function, i.e., the corresponding FUNC field of the line configuration is not 0, the drive of the I/O line is controlled by the peripheral. According to the FUNC value, the selected peripheral determines whether the pin is driven or not.

When the FUNC field of a I/O line is 0, then the I/O line is set in General-Purpose mode and the I/O line can be configured to be driven by the PIO Controller instead of the peripheral.

If the DIR bit of the I/O line configuration (PIO\_CFGRx) is set (OUTPUT) then the I/O line can be driven by the PIO Controller. The level driven on an I/O line can be determined by writing in the Set Output Data register (PIO\_SODRx) and the Clear Output Data register (PIO\_CODRx). These write operations,



respectively, set and clear the Output Data Status register (PIO\_ODSRx), which represents the data driven on the I/O lines. Writing PIO\_ODSRx directly is possible and only affects the I/O line set to 1 in PIO\_MSKRx (see [Synchronous Data Output](#)).

When the DIR bit of the I/O line configuration is at zero, the corresponding I/O line is used as an input only.

The DIR bit has no effect if the corresponding line is assigned to a peripheral function, but writing the DIR bit is managed whether the pin is configured to be controlled by the PIO Controller or assigned to a peripheral function. This enables configuration of the I/O line prior to setting it to be managed by the PIO Controller.

Similarly, writing in PIO\_SODRx and PIO\_CODRx affects PIO\_ODSRx. This is important as it defines the first level driven on the I/O line.

### 29.5.5 Synchronous Data Output

Clearing one or more PIO line(s) and setting another one or more PIO line(s) synchronously cannot be done by using PIO\_SODRx and PIO\_CODRx. It requires two successive write operations into two different registers. To overcome this, the PIO Controller offers a direct control of PIO outputs by single write access to PIO\_ODSRx. Only I/O lines set to 1 in PIO\_MSKRx are written.

### 29.5.6 Open-Drain Mode

Each I/O can be independently programmed in Open-Drain mode. This feature permits several drivers to be connected on the I/O line which is driven low only by each device. An external pull-up resistor (or enabling of the internal one) is generally required to guarantee a high level on the line.

The Open-Drain mode is controlled by the OPD bit in the I/O line configuration (PIO\_CFGRx). An I/O line is switched in Open-Drain mode by setting PIO\_CFGRx.OPD. The Open-Drain mode can be selected if the I/O line is not controlled by a peripheral (the FUNC field must be cleared in PIO\_CFGRx).

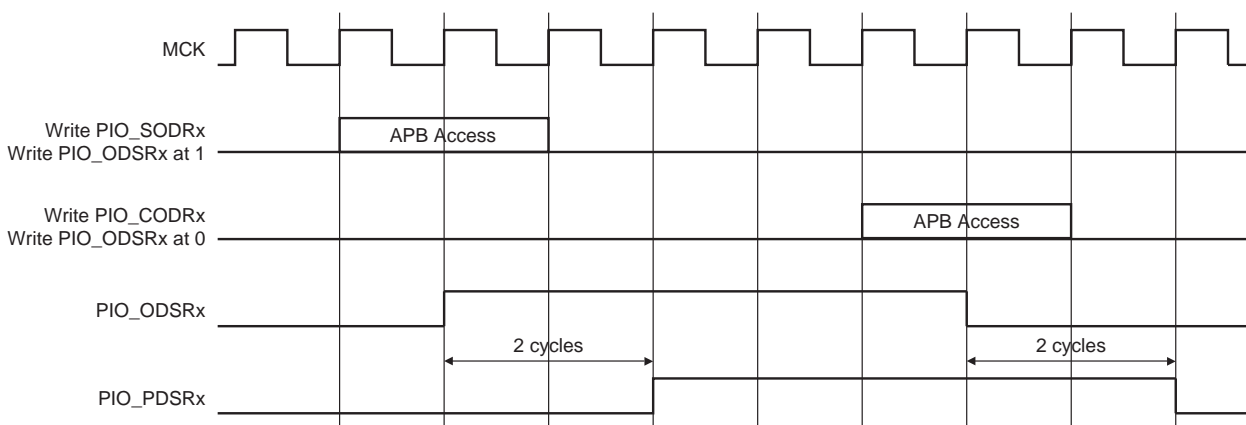
For more details on the Open-Drain mode, see [29.7.2. PIO\\_CFGRx](#).

After reset, the OPD bit of each I/O line is defined at the product level and depends on the multiplexing of the device.

### 29.5.7 Output Line Timings

The figure below shows how the outputs are driven either by writing PIO\_SODRx or PIO\_CODRx, or by directly writing PIO\_ODSRx. This last case is valid only if the corresponding bit in PIO\_MSKRx is set. The figure below also shows when the feedback in the Pin Data Status Register (PIO\_PDSRx) is available.

**Figure 29-3.** Output Line Timings



## 29.5.8 Inputs

The level on each I/O line of the I/O group x can be read through PIO\_PDSRx. This register indicates the level of the I/O lines regardless of their configuration, whether uniquely as an input, or driven by the PIO Controller, or driven by a peripheral.

Reading the I/O line levels requires the clock of the PIO Controller to be enabled, otherwise PIO\_PDSRx reads the levels present on the I/O line at the time the clock was disabled.

## 29.5.9 Input Glitch and Debouncing Filters

Optional input glitch and debouncing filters are independently programmable on each I/O line.

The glitch filter can filter a glitch with a duration of less than 1/2 master clock (MCK) and the debouncing filter can filter a pulse of less than 1/2 period of a programmable divided slow clock.

The selection between glitch filtering or debounce filtering is done by writing the bit IFSCEN in 29.7.2. PIO\_CFGRx. The selected filtering mode is applied to the I/O line(s) defined in 29.7.1. PIO\_MSKRx.

- If IFSCEN = 0: The glitch filter can filter a glitch with a duration of less than 1/2 master clock period.
- If IFSCEN = 1: The debouncing filter can filter a pulse with a duration of less than 1/2 programmable divided slow clock period.

For the debouncing filter, the period of the divided slow clock is performed by writing in the DIV field of the 29.7.13. PIO\_SCDR:  $t_{div\_slck} = ((DIV + 1) \times 2) \times t_{slck}$ .

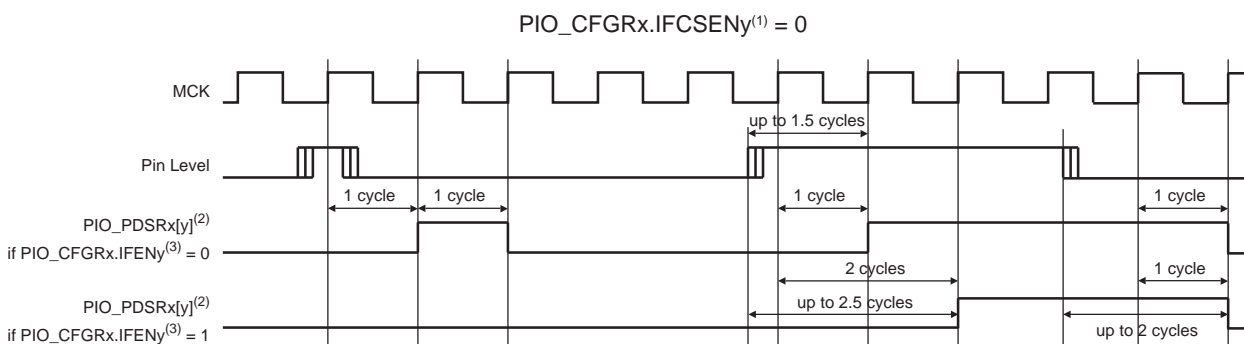
When the glitch or debouncing filter is enabled, a glitch or pulse with a duration of less than 1/2 selected clock cycle (selected clock represents MCK or divided slow clock depending on IFSCEN bit programming) is automatically rejected, while a pulse with a duration of one selected clock (MCK or divided slow clock) cycle or more is accepted. For pulse durations between 1/2 selected clock cycle and one selected clock cycle, the pulse may or may not be taken into account, depending on the precise timing of its occurrence. Thus for a pulse to be visible, it must exceed one selected clock cycle, whereas for a glitch to be reliably filtered out, its duration must not exceed 1/2 selected clock cycle.

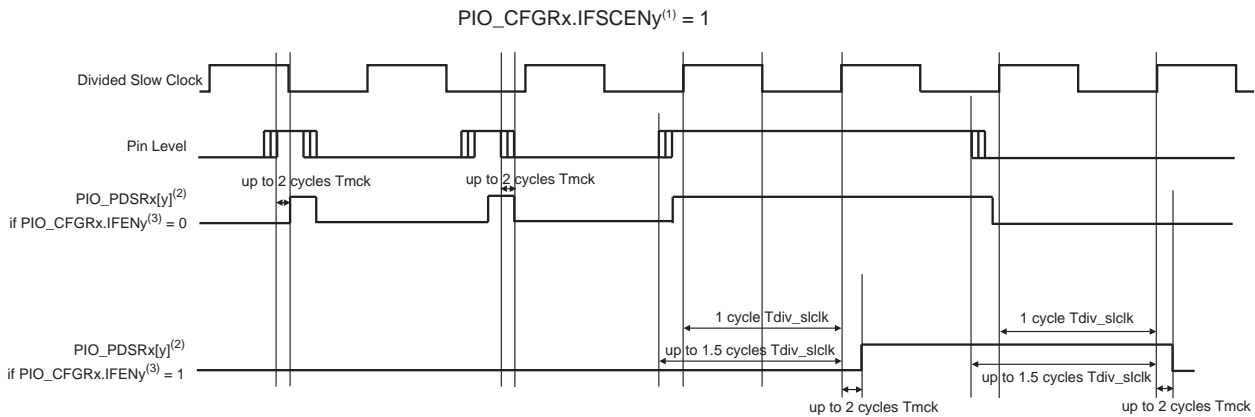
The filters also introduce some latencies, illustrated in the following figures.

The glitch filter of each I/O lines is controlled by the IFEN bit of the 29.7.2. PIO\_CFGRx. Setting the PIO\_CFGRx.IFEN bit enables the glitch filter of the I/O line(s) defined in 29.7.1. PIO\_MSKRx.

When the glitch and/or debouncing filter is enabled, it does not modify the behavior of the inputs on the peripherals. It acts only on the value read in 29.7.3. PIO\_PDSRx and on the input change interrupt detection. The glitch and debouncing filters require that the PIO Controller clock is enabled.

**Figure 29-4.** Input Glitch Filter Timing



**Figure 29-5.** Input Debouncing Filter Timing**Note:**

1. Means IFSCEN bit of the I/O line y of the I/O group x.
2. Means PIO Data Status value of the I/O line y of the I/O group x.
3. Means IFEN bit of the I/O line y of the I/O group x.

**29.5.10 Input Edge/Level Interrupt**

Each I/O group can be programmed to generate an interrupt when it detects an edge or a level on an I/O line. The Input Edge/Level interrupts are controlled by writing the Interrupt Enable register (29.7.8. [PIO\\_IERx](#)) and the Interrupt Disable register (29.7.9. [PIO\\_IDRx](#)), which enable and disable the input change interrupt respectively by setting and clearing the corresponding bit in the Interrupt Mask register (29.7.10. [PIO\\_IMRx](#)). As input change detection is possible only by comparing two successive samplings of the input of the I/O line, the PIO Controller clock must be enabled. The Input Change interrupt is available regardless of the configuration of the I/O line, that is, configured as an input-only, controlled by the PIO Controller or assigned to a peripheral function.

Each I/O group can generate an interrupt.

According to the EVTSEL field value in 29.7.2. [PIO\\_CFGRx](#), the interrupt signal of the I/O group x can be generated on the following occurrence:

- [PIO\\_CFGRx.EVTSELy](#) = 0: The interrupt signal of the I/O group x is generated on the I/O line y falling edge detection (assuming that [PIO\\_IMRx\[y\]](#) = 1).
- [PIO\\_CFGRx.EVTSELy](#) = 1: The interrupt signal of the I/O group x is generated on the I/O line y rising edge detection (assuming that [PIO\\_IMRx\[y\]](#) = 1).
- [PIO\\_CFGRx.EVTSELy](#) = 2: The interrupt signal of the I/O group x is generated on the I/O line y both rising and falling edge detection (assuming that [PIO\\_IMRx\[y\]](#) = 1).
- [PIO\\_CFGRx.EVTSELy](#) = 3: The interrupt signal of the I/O group x is generated on the I/O line y low level detection (assuming that [PIO\\_IMRx\[y\]](#) = 1).
- [PIO\\_CFGRx.EVTSELy](#) = 4: The interrupt signal of the I/O group x is generated on the I/O line y high level detection (assuming that [PIO\\_IMRx\[y\]](#) = 1).

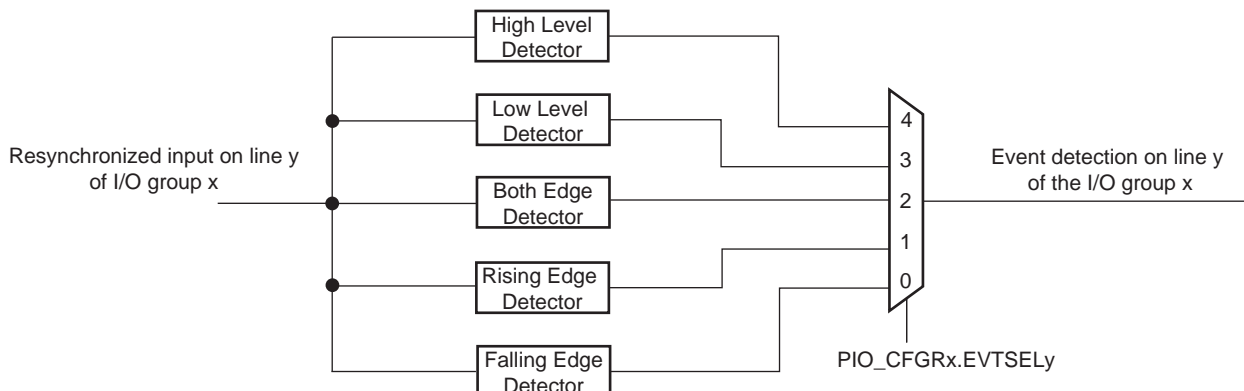
By default, the interrupt can be generated at any time a falling edge is detected on the input.

When an input edge or level is detected on an I/O line, the corresponding bit in the Interrupt STATUS Register (29.7.11. [PIO\\_ISRx](#)) is set. If the corresponding bit in 29.7.10. [PIO\\_IMRx](#) is set, the PIO Controller interrupt line of the I/O group x is asserted.

When the software reads [PIO\\_ISRx](#), all the interrupts of the I/O group x are automatically cleared. This signifies that all the interrupts that are pending when [PIO\\_ISRx](#) is read must be handled. When

an Interrupt is enabled on a “level”, the interrupt is generated as long as the interrupt source is not cleared, even if some read accesses in `PIO_ISRx` are performed.

**Figure 29-6.** Event Detector on Input Lines



Example of interrupt generation on following lines:

- Rising edge on the PIO line 0 of the I/O group 0 (PIOA)
- Low-level edge on the PIO line 1 of the I/O group 0 (PIOA)
- Rising edge on the PIO line 2 of the I/O group 0 (PIOA)
- High-level on the PIO line 3 of the I/O group 0 (PIOA)
- Low-level on the PIO line 4 of the I/O group 0 (PIOA)
- High-level on the PIO line 0 of the I/O group 1 (PIOB)
- Falling edge on the PIO line 1 of the I/O group 1 (PIOB)
- Rising edge on the PIO line 2 of the I/O group 1 (PIOB)
- Any edge on the other lines of the I/O group 1 (PIOB)

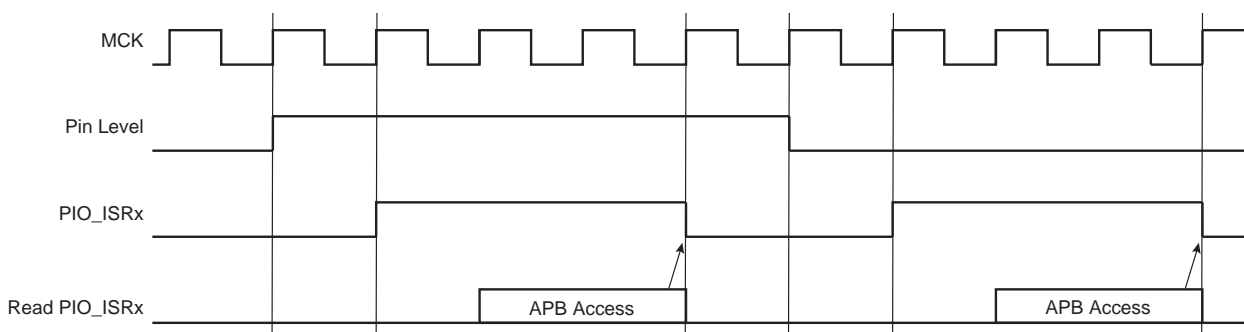
The table below details the required configuration for this example.

**Table 29-2.** Configuration for Example Interrupt Generation

Configuration	Name
PIOA: Interrupt Mode	Enable interrupt sources for lines 0 to 4 of PIOA by writing 32'h0000_001F in <code>PIO_IER0</code> (offset 0x20)
PIOA: Event Selection	Configure Rising Edge detection for lines 0 and 2: Write 32'h0000_0005 in <code>PIO_MSKR0</code> (offset 0x0) Write 32'h0100_0000 in <code>PIO_CFGR0</code> (offset 0x4)
	Configure Low Level detection for lines 1 and 4: Write 32'h0000_0012 in <code>PIO_MSKR0</code> (offset 0x0) Write 32'h0300_0000 in <code>PIO_CFGR0</code> (offset 0x4)
	Configure High Level detection for line 3: Write 32'h0000_0008 in <code>PIO_MSKR0</code> (offset 0x0) Write 32'h0400_0000 in <code>PIO_CFGR0</code> (offset 0x4)
PIOB: Interrupt Mode	Enable interrupt sources for all lines of PIOB by writing 32'hFFFF_FFFF in <code>PIO_IER1</code> (offset 0x60)

.....continued	
Configuration	Name
PIOB: Event Selection	Configure High Level detection for line 0: Write 32'h0000_0001 in PIO_MSKR1 (offset 0x40) Write 32'h0400_0000 in PIO_CFGR1 (offset 0x44)
	Configure Falling Edge detection for line 1: Write 32'h0000_0002 in PIO_MSKR1 (offset 0x40) Write 32'h0000_0000 in PIO_CFGR1 (offset 0x44)
	Configure Rising Edge detection for line 2: Write 32'h0000_0004 in PIO_MSKR1 (offset 0x40) Write 32'h0100_000 in PIO_CFGR1 (offset 0x44)
	Configure Low Level detection for other lines: Write 32'hFFFF_FFF8 in PIO_MSKR1 (offset 0x40) Write 32'h0200_000 in PIO_CFGR1 (offset 0x44)

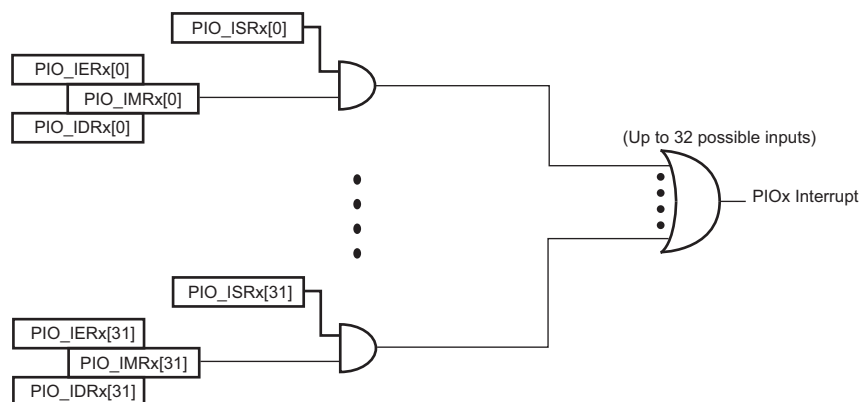
Figure 29-7. Input Change Interrupt Timings When No Additional Interrupt Modes



### 29.5.11 Interrupt Management

The PIO Controller can drive one interrupt signal per I/O group (see the figure below). Interrupt signals are connected to the interrupt controller of the system.

Figure 29-8. PIO Interrupt Management



### 29.5.12 I/O Lines Lock

When an I/O line is controlled by a peripheral (particularly the Pulse Width Modulation Controller (PWM)), it can become locked by the action of this peripheral via an input of the PIO Controller. When an I/O line is locked, the following fields in PIO\_CFGRx are locked and cannot be modified:

- FUNC: Peripheral selection cannot be changed when the corresponding I/O line is locked.

- PUEN: Pull-Up configuration cannot be changed when the corresponding I/O line is locked.
- PDEN: Pull-Down configuration cannot be changed when the corresponding I/O line is locked.
- OPD: Open-Drain configuration cannot be changed when the corresponding I/O line is locked.

Writing to one of these fields while the corresponding I/O line is locked will have no effect.

The user can know at anytime which I/O line is locked by reading the Lock Status register (PIO\_LOCKSR). Once an I/O line is locked, the only way to unlock it is to apply a hardware reset to the PIO Controller.

### 29.5.13 Programmable I/O Drive

It is possible to configure the I/O drive for pads PA0 to PD31. The I/O drive of the pad can be programmed by writing PIO\_CFGRxDRVSTR. For details, refer to the section Electrical Characteristics.

### 29.5.14 Programmable Schmitt Trigger

It is possible to configure each input for the Schmitt trigger. The Schmitt trigger can be enabled by setting PIO\_CFGRx.SCHMITT. By default the Schmitt trigger is active.

### 29.5.15 I/O Line Configuration Freeze

#### 29.5.15.1 Software Freeze

Once the I/O line configuration is done, it can be frozen by using the I/O Freeze Configuration register (PIO\_IOFRx) of the corresponding group.

#### 29.5.15.1.1 Physical Freeze

Setting PIO\_IOFRx.FPHY freezes the following fields of the I/O lines defined in PIO\_MSKRx:

- FUNC: I/O Line Function
- DIR: Direction
- PUEN: Pull-Up Enable
- PDEN: Pull-Down Enable
- OPD: Open-Drain
- SCHMITT: Schmitt Trigger
- DRVSTR: Drive Strength

When the physical freeze is currently active on an I/O line, the PCFS flag is set when reading the PIO\_CFGRx of the I/O line .

Only a hardware reset can release fields listed above.

#### 29.5.15.1.2 Interrupt Freeze

Setting PIO\_IOFRx.FINT freezes the EVTSEL field of the I/O lines defined in the PIO\_MSKRx:

When the "Interrupt Freeze" is currently active on an I/O line, the ICFS flag is set when reading the PIO\_CFGRx of the I/O line .

Only a hardware reset can release fields listed above.

### 29.5.16 Register Write Protection

To prevent any single software error from corrupting PIO behavior, certain registers in the address space can be write-protected by setting bits WPEN and WPITEN in the PIO Write Protection Mode Register (PIO\_WPMR).

If a write access to a write-protected register is detected, the WPVS flag in the PIO Write Protection Status Register (PIO\_WPSR) is set and the field WPVSR indicates the register in which the write access has been attempted.

The WPVS bit is automatically cleared after reading the PIO\_WPSR.

The following registers are write-protected when WPEN is set in PIO\_WPMR:

- PIO Mask Register
- PIO Configuration Register
- PIO Slow Clock Divider Debouncing Register

The following registers are write-protected when WPITEN is set in PIO\_WPMR:

- PIO Interrupt Enable Register
- PIO Interrupt Disable Register

## 29.6 I/O Lines Programming Example

The programming example shown in the table below is used to obtain the following configurations:

- PIOA Configuration:
  - 4-bit output port on I/O lines 0 to 3, open-drain, with pull-up resistor
  - Four output signals on I/O lines 4 to 7 (to drive LEDs for example), driven high and low, no pull-up resistor, no pull-down resistor
  - I/O lines 16 to 19 assigned to peripheral A functions with pull-up resistor
  - I/O lines 20 to 23 assigned to peripheral B functions with pull-down resistor
- PIOB Configuration:
  - Four input signals on I/O lines 0 to 3 (to read push-button states for example), with pull-up resistors, glitch filters and input change interrupts
  - Four input signals on I/O lines 12 to 15 to read an external device status (polled, thus no input change interrupt), no pull-up resistor, no glitch filter
  - I/O lines 16 to 23 assigned to peripheral B functions with pull-down resistor
  - I/O lines 24 to 27 assigned to peripheral D with Input Change Interrupt, no pull-up resistor and no pull-down resistor

**Table 29-3.** Programming Example

Action	Register	Value to be Written
PIOA: 4-bit output port on I/O lines 0 to 3, open-drain, with pull-up resistor	PIO_MSKR0 (offset 0x0)	0x0000000F
	PIO_CFGR0 (offset 0x4)	0x00004300
PIOA: Four output signals on I/O lines 4 to 7 (to drive LEDs for example), driven high and low, no pull-up resistor, no pull-down resistor	PIO_MSKR0 (offset 0x0)	0x000000F0
	PIO_CFGR0 (offset 0x4)	0x00000100
PIOA: I/O lines 16 to 19 assigned to peripheral A functions with pull-up resistor	PIO_MSKR0 (offset 0x0)	0x000F0000
	PIO_CFGR0 (offset 0x4)	0x00000201
PIOA: I/O lines 20 to 23 assigned to peripheral B functions with pull-down resistor	PIO_MSKR0 (offset 0x0)	0x00F00000
	PIO_CFGR0 (offset 0x4)	0x00000402

.....continued

Action	Register	Value to be Written
PIOB: Four input signals on I/O lines 0 to 3 (to read push-button states for example), with pull-up resistors, glitch filters and interrupts on rising edge	PIO_MSKR1 (offset 0x40)	0x0000000F
	PIO_CFGR1 (offset 0x44)	0x01001200
PIOB: Four input signals on I/O line 12 to 15 to read an external device status (polled, thus no input change interrupt), no pull-up resistor, no glitch filter	PIO_MSKR1 (offset 0x40)	0x0000F000
	PIO_CFGR1 (offset 0x44)	0x01001200
PIOB: I/O lines 16 to 23 assigned to peripheral B functions with pull-down resistor	PIO_MSKR1 (offset 0x40)	0x0000000F
	PIO_CFGR1 (offset 0x44)	0x01001200
PIOB: I/O line 24 to 27 assigned to peripheral D with Input Interrupt on both edges, no pull-up resistor and no pull-down resistor	PIO_MSKR1 (offset 0x40)	0x0F000000
	PIO_CFGR1 (offset 0x44)	0x02000004
PIOB: Enable interrupt	PIO_IER1 (offset 0x60)	0x0F00000F



## 29.7 Register Summary

Each I/O line controlled by the PIO Controller is associated with a bit in each of the PIO Controller registers. Each register is 32 bits wide. If a parallel I/O line is not defined, writing to the corresponding bits has no effect. Undefined bits read zero.

Offset	Name	Bit Pos.	7	6	5	4	3	2	1	0	
0x00	PIO_MSKR0	7:0	MSK7	MSK6	MSK5	MSK4	MSK3	MSK2	MSK1	MSK0	
		15:8	MSK15	MSK14	MSK13	MSK12	MSK11	MSK10	MSK9	MSK8	
		23:16	MSK23	MSK22	MSK21	MSK20	MSK19	MSK18	MSK17	MSK16	
		31:24	MSK31	MSK30	MSK29	MSK28	MSK27	MSK26	MSK25	MSK24	
0x04	PIO_CFGR0	7:0							FUNC[2:0]		
		15:8	SCHMITT	OPD	IFSCEN	IFEN		PDEN	PUEN	DIR	
		23:16							DRVSTR[2:0]		
		31:24		ICFS	PCFS				EVTSEL[2:0]		
0x08	PIO_PDSR0	7:0	P7	P6	P5	P4	P3	P2	P1	P0	
		15:8	P15	P14	P13	P12	P11	P10	P9	P8	
		23:16	P23	P22	P21	P20	P19	P18	P17	P16	
		31:24	P31	P30	P29	P28	P27	P26	P25	P24	
0x0C	PIO_LOCKSR0	7:0	P7	P6	P5	P4	P3	P2	P1	P0	
		15:8	P15	P14	P13	P12	P11	P10	P9	P8	
		23:16	P23	P22	P21	P20	P19	P18	P17	P16	
		31:24	P31	P30	P29	P28	P27	P26	P25	P24	
0x10	PIO_SODR0	7:0	P7	P6	P5	P4	P3	P2	P1	P0	
		15:8	P15	P14	P13	P12	P11	P10	P9	P8	
		23:16	P23	P22	P21	P20	P19	P18	P17	P16	
		31:24	P31	P30	P29	P28	P27	P26	P25	P24	
0x14	PIO_CODR0	7:0	P7	P6	P5	P4	P3	P2	P1	P0	
		15:8	P15	P14	P13	P12	P11	P10	P9	P8	
		23:16	P23	P22	P21	P20	P19	P18	P17	P16	
		31:24	P31	P30	P29	P28	P27	P26	P25	P24	
0x18	PIO_ODSR0	7:0	P7	P6	P5	P4	P3	P2	P1	P0	
		15:8	P15	P14	P13	P12	P11	P10	P9	P8	
		23:16	P23	P22	P21	P20	P19	P18	P17	P16	
		31:24	P31	P30	P29	P28	P27	P26	P25	P24	
0x1C ... 0x1F	Reserved										
0x20	PIO_IER0	7:0	P7	P6	P5	P4	P3	P2	P1	P0	
		15:8	P15	P14	P13	P12	P11	P10	P9	P8	
		23:16	P23	P22	P21	P20	P19	P18	P17	P16	
		31:24	P31	P30	P29	P28	P27	P26	P25	P24	
0x24	PIO_IDR0	7:0	P7	P6	P5	P4	P3	P2	P1	P0	
		15:8	P15	P14	P13	P12	P11	P10	P9	P8	
		23:16	P23	P22	P21	P20	P19	P18	P17	P16	
		31:24	P31	P30	P29	P28	P27	P26	P25	P24	
0x28	PIO_IMR0	7:0	P7	P6	P5	P4	P3	P2	P1	P0	
		15:8	P15	P14	P13	P12	P11	P10	P9	P8	
		23:16	P23	P22	P21	P20	P19	P18	P17	P16	
		31:24	P31	P30	P29	P28	P27	P26	P25	P24	
0x2C	PIO_ISR0	7:0	P7	P6	P5	P4	P3	P2	P1	P0	
		15:8	P15	P14	P13	P12	P11	P10	P9	P8	
		23:16	P23	P22	P21	P20	P19	P18	P17	P16	
		31:24	P31	P30	P29	P28	P27	P26	P25	P24	
0x30 ... 0x3B	Reserved										
0x3C	PIO_IOFRO	7:0							FINT	FPHY	
		15:8	FRZKEY[7:0]								
		23:16	FRZKEY[15:8]								
		31:24	FRZKEY[23:16]								

.....continued

Offset	Name	Bit Pos.	7	6	5	4	3	2	1	0
0x40	PIO_MSKR1	7:0	MSK7	MSK6	MSK5	MSK4	MSK3	MSK2	MSK1	MSK0
		15:8	MSK15	MSK14	MSK13	MSK12	MSK11	MSK10	MSK9	MSK8
		23:16	MSK23	MSK22	MSK21	MSK20	MSK19	MSK18	MSK17	MSK16
		31:24	MSK31	MSK30	MSK29	MSK28	MSK27	MSK26	MSK25	MSK24
0x44	PIO_CFGR1	7:0						FUNC[2:0]		
		15:8	SCHMITT	OPD	IFSCEN	IFEN		PDEN	PUEN	DIR
		23:16						DRVSTR[2:0]		
		31:24		ICFS	PCFS			EVTSEL[2:0]		
0x48	PIO_PDSR1	7:0	P7	P6	P5	P4	P3	P2	P1	P0
		15:8	P15	P14	P13	P12	P11	P10	P9	P8
		23:16	P23	P22	P21	P20	P19	P18	P17	P16
		31:24	P31	P30	P29	P28	P27	P26	P25	P24
0x4C	PIO_LOCKSR1	7:0	P7	P6	P5	P4	P3	P2	P1	P0
		15:8	P15	P14	P13	P12	P11	P10	P9	P8
		23:16	P23	P22	P21	P20	P19	P18	P17	P16
		31:24	P31	P30	P29	P28	P27	P26	P25	P24
0x50	PIO_SODR1	7:0	P7	P6	P5	P4	P3	P2	P1	P0
		15:8	P15	P14	P13	P12	P11	P10	P9	P8
		23:16	P23	P22	P21	P20	P19	P18	P17	P16
		31:24	P31	P30	P29	P28	P27	P26	P25	P24
0x54	PIO_CODR1	7:0	P7	P6	P5	P4	P3	P2	P1	P0
		15:8	P15	P14	P13	P12	P11	P10	P9	P8
		23:16	P23	P22	P21	P20	P19	P18	P17	P16
		31:24	P31	P30	P29	P28	P27	P26	P25	P24
0x58	PIO_ODSR1	7:0	P7	P6	P5	P4	P3	P2	P1	P0
		15:8	P15	P14	P13	P12	P11	P10	P9	P8
		23:16	P23	P22	P21	P20	P19	P18	P17	P16
		31:24	P31	P30	P29	P28	P27	P26	P25	P24
0x5C ... 0x5F	Reserved									
0x60	PIO_IER1	7:0	P7	P6	P5	P4	P3	P2	P1	P0
		15:8	P15	P14	P13	P12	P11	P10	P9	P8
		23:16	P23	P22	P21	P20	P19	P18	P17	P16
		31:24	P31	P30	P29	P28	P27	P26	P25	P24
0x64	PIO_IDR1	7:0	P7	P6	P5	P4	P3	P2	P1	P0
		15:8	P15	P14	P13	P12	P11	P10	P9	P8
		23:16	P23	P22	P21	P20	P19	P18	P17	P16
		31:24	P31	P30	P29	P28	P27	P26	P25	P24
0x68	PIO_IMR1	7:0	P7	P6	P5	P4	P3	P2	P1	P0
		15:8	P15	P14	P13	P12	P11	P10	P9	P8
		23:16	P23	P22	P21	P20	P19	P18	P17	P16
		31:24	P31	P30	P29	P28	P27	P26	P25	P24
0x6C	PIO_ISR1	7:0	P7	P6	P5	P4	P3	P2	P1	P0
		15:8	P15	P14	P13	P12	P11	P10	P9	P8
		23:16	P23	P22	P21	P20	P19	P18	P17	P16
		31:24	P31	P30	P29	P28	P27	P26	P25	P24
0x70 ... 0x7B	Reserved									
0x7C	PIO_IOFR1	7:0							FINT	FPHY
		15:8	FRZKEY[7:0]							
		23:16	FRZKEY[15:8]							
		31:24	FRZKEY[23:16]							
0x80	PIO_MSKR2	7:0	MSK7	MSK6	MSK5	MSK4	MSK3	MSK2	MSK1	MSK0
		15:8	MSK15	MSK14	MSK13	MSK12	MSK11	MSK10	MSK9	MSK8
		23:16	MSK23	MSK22	MSK21	MSK20	MSK19	MSK18	MSK17	MSK16
		31:24	MSK31	MSK30	MSK29	MSK28	MSK27	MSK26	MSK25	MSK24

.....continued

Offset	Name	Bit Pos.	7	6	5	4	3	2	1	0	
0x84	PIO_CFGR2	7:0							FUNC[2:0]		
		15:8	SCHMITT	OPD	IFSCEN	IFEN		PDEN	PUEN	DIR	
		23:16							DRVSTR[2:0]		
		31:24		ICFS	PCFS				EVTSEL[2:0]		
0x88	PIO_PDSR2	7:0	P7	P6	P5	P4	P3	P2	P1	P0	
		15:8	P15	P14	P13	P12	P11	P10	P9	P8	
		23:16	P23	P22	P21	P20	P19	P18	P17	P16	
		31:24	P31	P30	P29	P28	P27	P26	P25	P24	
0x8C	PIO_LOCKSR2	7:0	P7	P6	P5	P4	P3	P2	P1	P0	
		15:8	P15	P14	P13	P12	P11	P10	P9	P8	
		23:16	P23	P22	P21	P20	P19	P18	P17	P16	
		31:24	P31	P30	P29	P28	P27	P26	P25	P24	
0x90	PIO_SODR2	7:0	P7	P6	P5	P4	P3	P2	P1	P0	
		15:8	P15	P14	P13	P12	P11	P10	P9	P8	
		23:16	P23	P22	P21	P20	P19	P18	P17	P16	
		31:24	P31	P30	P29	P28	P27	P26	P25	P24	
0x94	PIO_CODR2	7:0	P7	P6	P5	P4	P3	P2	P1	P0	
		15:8	P15	P14	P13	P12	P11	P10	P9	P8	
		23:16	P23	P22	P21	P20	P19	P18	P17	P16	
		31:24	P31	P30	P29	P28	P27	P26	P25	P24	
0x98	PIO_ODSR2	7:0	P7	P6	P5	P4	P3	P2	P1	P0	
		15:8	P15	P14	P13	P12	P11	P10	P9	P8	
		23:16	P23	P22	P21	P20	P19	P18	P17	P16	
		31:24	P31	P30	P29	P28	P27	P26	P25	P24	
0x9C ... 0x9F	Reserved										
0xA0	PIO_IER2	7:0	P7	P6	P5	P4	P3	P2	P1	P0	
		15:8	P15	P14	P13	P12	P11	P10	P9	P8	
		23:16	P23	P22	P21	P20	P19	P18	P17	P16	
		31:24	P31	P30	P29	P28	P27	P26	P25	P24	
0xA4	PIO_IDR2	7:0	P7	P6	P5	P4	P3	P2	P1	P0	
		15:8	P15	P14	P13	P12	P11	P10	P9	P8	
		23:16	P23	P22	P21	P20	P19	P18	P17	P16	
		31:24	P31	P30	P29	P28	P27	P26	P25	P24	
0xA8	PIO_IMR2	7:0	P7	P6	P5	P4	P3	P2	P1	P0	
		15:8	P15	P14	P13	P12	P11	P10	P9	P8	
		23:16	P23	P22	P21	P20	P19	P18	P17	P16	
		31:24	P31	P30	P29	P28	P27	P26	P25	P24	
0xAC	PIO_ISR2	7:0	P7	P6	P5	P4	P3	P2	P1	P0	
		15:8	P15	P14	P13	P12	P11	P10	P9	P8	
		23:16	P23	P22	P21	P20	P19	P18	P17	P16	
		31:24	P31	P30	P29	P28	P27	P26	P25	P24	
0xB0 ... 0xBB	Reserved										
0xBC	PIO_IOFR2	7:0							FINT	FPHY	
		15:8	FRZKEY[7:0]								
		23:16	FRZKEY[15:8]								
		31:24	FRZKEY[23:16]								
0xC0	PIO_MSKR3	7:0	MSK7	MSK6	MSK5	MSK4	MSK3	MSK2	MSK1	MSK0	
		15:8	MSK15	MSK14	MSK13	MSK12	MSK11	MSK10	MSK9	MSK8	
		23:16	MSK23	MSK22	MSK21	MSK20	MSK19	MSK18	MSK17	MSK16	
		31:24	MSK31	MSK30	MSK29	MSK28	MSK27	MSK26	MSK25	MSK24	
0xC4	PIO_CFGR3	7:0							FUNC[2:0]		
		15:8	SCHMITT	OPD	IFSCEN	IFEN		PDEN	PUEN	DIR	
		23:16							DRVSTR[2:0]		
		31:24		ICFS	PCFS				EVTSEL[2:0]		

.....continued

Offset	Name	Bit Pos.	7	6	5	4	3	2	1	0
0xC8	PIO_PDSR3	7:0	P7	P6	P5	P4	P3	P2	P1	P0
		15:8	P15	P14	P13	P12	P11	P10	P9	P8
		23:16	P23	P22	P21	P20	P19	P18	P17	P16
		31:24	P31	P30	P29	P28	P27	P26	P25	P24
0xCC	PIO_LOCKSR3	7:0	P7	P6	P5	P4	P3	P2	P1	P0
		15:8	P15	P14	P13	P12	P11	P10	P9	P8
		23:16	P23	P22	P21	P20	P19	P18	P17	P16
		31:24	P31	P30	P29	P28	P27	P26	P25	P24
0xD0	PIO_SODR3	7:0	P7	P6	P5	P4	P3	P2	P1	P0
		15:8	P15	P14	P13	P12	P11	P10	P9	P8
		23:16	P23	P22	P21	P20	P19	P18	P17	P16
		31:24	P31	P30	P29	P28	P27	P26	P25	P24
0xD4	PIO_CODR3	7:0	P7	P6	P5	P4	P3	P2	P1	P0
		15:8	P15	P14	P13	P12	P11	P10	P9	P8
		23:16	P23	P22	P21	P20	P19	P18	P17	P16
		31:24	P31	P30	P29	P28	P27	P26	P25	P24
0xD8	PIO_ODSR3	7:0	P7	P6	P5	P4	P3	P2	P1	P0
		15:8	P15	P14	P13	P12	P11	P10	P9	P8
		23:16	P23	P22	P21	P20	P19	P18	P17	P16
		31:24	P31	P30	P29	P28	P27	P26	P25	P24
0xDC ... 0xDF	Reserved									
0xE0	PIO_IER3	7:0	P7	P6	P5	P4	P3	P2	P1	P0
		15:8	P15	P14	P13	P12	P11	P10	P9	P8
		23:16	P23	P22	P21	P20	P19	P18	P17	P16
		31:24	P31	P30	P29	P28	P27	P26	P25	P24
0xE4	PIO_IDR3	7:0	P7	P6	P5	P4	P3	P2	P1	P0
		15:8	P15	P14	P13	P12	P11	P10	P9	P8
		23:16	P23	P22	P21	P20	P19	P18	P17	P16
		31:24	P31	P30	P29	P28	P27	P26	P25	P24
0xE8	PIO_IMR3	7:0	P7	P6	P5	P4	P3	P2	P1	P0
		15:8	P15	P14	P13	P12	P11	P10	P9	P8
		23:16	P23	P22	P21	P20	P19	P18	P17	P16
		31:24	P31	P30	P29	P28	P27	P26	P25	P24
0xEC	PIO_ISR3	7:0	P7	P6	P5	P4	P3	P2	P1	P0
		15:8	P15	P14	P13	P12	P11	P10	P9	P8
		23:16	P23	P22	P21	P20	P19	P18	P17	P16
		31:24	P31	P30	P29	P28	P27	P26	P25	P24
0xF0 ... 0xFB	Reserved									
0xFC	PIO_IOFR3	7:0							FINT	FPHY
		15:8	FRZKEY[7:0]							
		23:16	FRZKEY[15:8]							
		31:24	FRZKEY[23:16]							
0x0100 ... 0x04FF	Reserved									
0x0500	PIO_SCDR	7:0	DIV[7:0]							
		15:8	DIV[13:8]							
		23:16								
		31:24								
0x0504 ... 0x05DF	Reserved									
0x05E0	PIO_WPMR	7:0							WPITEN	WPEN
		15:8	WPKEY[7:0]							
		23:16	WPKEY[15:8]							
		31:24	WPKEY[23:16]							

.....continued

Offset	Name	Bit Pos.	7	6	5	4	3	2	1	0	
0x05E4	PIO_WPSR	7:0								WPVS	
		15:8	WPVSR[7:0]								
		23:16	WPVSR[15:8]								
		31:24									

### 29.7.1 PIO Mask Register

**Name:** PIO\_MSKRx  
**Offset:** 0x00 + x\*0x40 [x=0..3]  
**Reset:** 0x00000000  
**Property:** Read/Write

This register can only be written if the WPEN bit is cleared in the [PIO Write Protection Mode Register](#).

Bit	31	30	29	28	27	26	25	24
	MSK31	MSK30	MSK29	MSK28	MSK27	MSK26	MSK25	MSK24
Access	R/W	R/W	R/W	R/W	R/W	R/W	R/W	R/W
Reset	0	0	0	0	0	0	0	0
Bit	23	22	21	20	19	18	17	16
	MSK23	MSK22	MSK21	MSK20	MSK19	MSK18	MSK17	MSK16
Access	R/W	R/W	R/W	R/W	R/W	R/W	R/W	R/W
Reset	0	0	0	0	0	0	0	0
Bit	15	14	13	12	11	10	9	8
	MSK15	MSK14	MSK13	MSK12	MSK11	MSK10	MSK9	MSK8
Access	R/W	R/W	R/W	R/W	R/W	R/W	R/W	R/W
Reset	0	0	0	0	0	0	0	0
Bit	7	6	5	4	3	2	1	0
	MSK7	MSK6	MSK5	MSK4	MSK3	MSK2	MSK1	MSK0
Access	R/W	R/W	R/W	R/W	R/W	R/W	R/W	R/W
Reset	0	0	0	0	0	0	0	0

#### Bits 0, 1, 2, 3, 4, 5, 6, 7, 8, 9, 10, 11, 12, 13, 14, 15, 16, 17, 18, 19, 20, 21, 22, 23, 24, 25, 26, 27, 28, 29, 30, 31 – MSKy PIO Line y Mask

These bits define the I/O lines to be configured when writing the [PIO Configuration Register](#).

0 (DISABLED): Writing the PIO\_CFGRx, PIO\_ODSRx or PIO\_IOFRx does not affect the corresponding I/O line configuration.

1 (ENABLED): Writing the PIO\_CFGRx, PIO\_ODSRx or PIO\_IOFRx updates the corresponding I/O line configuration.

## 29.7.2 PIO Configuration Register

**Name:** PIO\_CFGRx  
**Offset:** 0x04 + x\*0x40 [x=0..3]  
**Reset:** 0x00000000  
**Property:** Read/Write

This register can only be written if the WPEN bit is cleared in the [PIO Write Protection Mode Register](#).

Writing this register will only affect I/O lines enabled in the PIO\_MSKRx.

Bit	31	30	29	28	27	26	25	24
		ICFS	PCFS			EVTSEL[2:0]		
Access		R	R			R/W	R/W	R/W
Reset		0	0			0	0	0
Bit	23	22	21	20	19	18	17	16
						DRVSTR[2:0]		
Access						R/W	R/W	R/W
Reset						0	0	0
Bit	15	14	13	12	11	10	9	8
	SCHMITT	OPD	IFSCEN	IFEN		PDEN	PUEN	DIR
Access	R/W	R/W	R/W	R/W		R/W	R/W	R/W
Reset	0	0	0	0		0	0	0
Bit	7	6	5	4	3	2	1	0
						FUNC[2:0]		
Access						R/W	R/W	R/W
Reset						0	0	0

### Bit 30 – ICFS Interrupt Configuration Freeze Status (read-only)

This bit gives information about the freeze state of the field EVTSEL of the read I/O line configuration.

0 (NOT\_FROZEN): The field is not frozen and can be written for this I/O line.

1 (FROZEN): The field is frozen and cannot be written for this I/O line. Only a hardware reset can release the field.

### Bit 29 – PCFS Physical Configuration Freeze Status (read-only)

This bit gives information about the freeze state of the following fields of the read I/O line configuration:

- FUNC: I/O Line Function
- DIR: Direction
- PUEN: Pull-Up Enable
- PDEN: Pull-Down Enable
- OPD: Open-Drain
- SCHMITT: Schmitt Trigger
- DRVSTR: Drive Strength

0 (NOT\_FROZEN): The fields are not frozen and can be written for this I/O line.

1 (FROZEN): The fields are frozen and cannot be written for this I/O line. Only a hardware reset can release these fields.

**Bits 26:24 – EVTSEL[2:0]** Event Selection

This field defines the type of event to detect on the I/O lines of the I/O group x according to the [PIO Mask Register](#).

Value	Name	Description
0	FALLING	Event detection on input falling edge
1	RISING	Event detection on input rising edge
2	BOTH	Event detection on input both edge
3	LOW	Event detection on low level input
4	HIGH	Event detection on high level input
5	–	Reserved
6	–	Reserved
7	–	Reserved

**Bits 18:16 – DRVSTR[2:0]** Drive Strength

This field defines the drive strength of the I/O lines of the I/O group x according to the [PIO Mask Register](#).

Value	Name	Description
0	OUT_2m	Output drive is 2 mA.
1	OUT_4m	Output drive is 4 mA.
2	OUT_8m	Output drive is 8 mA.
3	OUT_16m	Output drive is 16 mA.
4	OUT_24m	Output drive is 24 mA.
5	OUT_32m	Output drive is 32 mA.
6	OUT_40m	Output drive is 40 mA.
7	OUT_48m	Output drive is 48 mA.

**Bit 15 – SCHMITT** Schmitt Trigger

This bit defines the Schmitt Trigger configuration of the I/O lines of the I/O group x according to the [PIO Mask Register](#).

0 (ENABLED): Schmitt Trigger is enabled for the selected I/O lines.

1 (DISABLED): Schmitt Trigger is disabled for the selected I/O lines.

**Bit 14 – OPD** Open Drain

This bit defines the open-drain configuration of the I/O lines of the I/O group x according to the [PIO Mask Register](#).

0 (DISABLED): The open-drain is disabled for the selected I/O lines. I/O lines are driven at high- and low-level.

1 (ENABLED): The open-drain is enabled for the selected I/O lines. I/O lines are driven at low-level only.

**Bit 13 – IFSCEN** Input Filter Slow Clock Enable

This bit defines the clock source of the glitch filtering for the I/O lines of the I/O group x according to the [PIO Mask Register](#).

**Bit 12 – IFEN** Input Filter Enable

This bit defines if the glitch filtering is used for the I/O lines of the I/O group x according to the [PIO Mask Register](#).

0 (DISABLED): The input filter is disabled for selected I/O lines.

1 (ENABLED): The input filter is enabled for selected I/O lines.

**Bit 10 – PDEN** Pull-Down Enable

This bit defines the pull-down configuration of the I/O lines of the I/O group x according to the [PIO Mask Register](#).

PDEN can be written to 1 only if PUEN is written to 0.

0 (DISABLED): Pull-down is disabled for the selected I/O lines.



1 (ENABLED): Pull-down is enabled for the selected I/O lines only if PUEN is 0.

#### Bit 9 – PUEN Pull-Up Enable

This bit defines the pull-up configuration of the I/O lines of the I/O group x according to the [PIO Mask Register](#).

0 (DISABLED): Pull-up is disabled for the selected I/O lines.

1 (ENABLED): Pull-up is enabled for the selected I/O lines.

#### Bit 8 – DIR Direction

This bit defines the direction of the I/O lines of the I/O group x according to the [PIO Mask Register](#).

0 (INPUT): The selected I/O lines are pure inputs.

1 (OUTPUT): The selected I/O lines are enabled in output.

#### Bits 2:0 – FUNC[2:0] I/O Line Function

This field defines the function for I/O lines of the I/O group x according to the [PIO Mask Register](#).

Value	Name	Description
0	GPIO	Selects the PIO mode for the selected I/O lines.
1	PERIPH_A	Selects peripheral A for the selected I/O lines.
2	PERIPH_B	Selects peripheral B for the selected I/O lines.
3	PERIPH_C	Selects peripheral C for the selected I/O lines.
4	PERIPH_D	Selects peripheral D for the selected I/O lines.
5	PERIPH_E	Selects peripheral E for the selected I/O lines.
6	Reserved	-
7	Reserved	-

### 29.7.3 PIO Pin Data Status Register

**Name:** PIO\_PDSRx  
**Offset:** 0x08 + x\*0x40 [x=0..3]  
**Reset:** 0x00000000  
**Property:** Read-only

Reset value of PIO\_PDSR depends on the level of the I/O lines. Reading the I/O line levels requires the clock of the PIO Controller to be enabled, otherwise PIO\_PDSR reads the levels present on the I/O line at the time the clock was disabled.

Bit	31	30	29	28	27	26	25	24
	P31	P30	P29	P28	P27	P26	P25	P24
Access	R	R	R	R	R	R	R	R
Reset	0	0	0	0	0	0	0	0
Bit	23	22	21	20	19	18	17	16
	P23	P22	P21	P20	P19	P18	P17	P16
Access	R	R	R	R	R	R	R	R
Reset	0	0	0	0	0	0	0	0
Bit	15	14	13	12	11	10	9	8
	P15	P14	P13	P12	P11	P10	P9	P8
Access	R	R	R	R	R	R	R	R
Reset	0	0	0	0	0	0	0	0
Bit	7	6	5	4	3	2	1	0
	P7	P6	P5	P4	P3	P2	P1	P0
Access	R	R	R	R	R	R	R	R
Reset	0	0	0	0	0	0	0	0

#### Bits 0, 1, 2, 3, 4, 5, 6, 7, 8, 9, 10, 11, 12, 13, 14, 15, 16, 17, 18, 19, 20, 21, 22, 23, 24, 25, 26, 27, 28, 29, 30, 31 - Px Input Data Status

Value	Description
0	The I/O line of the I/O group x is at level 0.
1	The I/O line of the I/O group x is at level 1.

## 29.7.4 PIO Lock Status Register

**Name:** PIO\_LOCKSRx  
**Offset:** 0x0C + x\*0x40 [x=0..3]  
**Reset:** 0x00000000  
**Property:** Read-only

Bit	31	30	29	28	27	26	25	24
	P31	P30	P29	P28	P27	P26	P25	P24
Access	R	R	R	R	R	R	R	R
Reset	0	0	0	0	0	0	0	0
Bit	23	22	21	20	19	18	17	16
	P23	P22	P21	P20	P19	P18	P17	P16
Access	R	R	R	R	R	R	R	R
Reset	0	0	0	0	0	0	0	0
Bit	15	14	13	12	11	10	9	8
	P15	P14	P13	P12	P11	P10	P9	P8
Access	R	R	R	R	R	R	R	R
Reset	0	0	0	0	0	0	0	0
Bit	7	6	5	4	3	2	1	0
	P7	P6	P5	P4	P3	P2	P1	P0
Access	R	R	R	R	R	R	R	R
Reset	0	0	0	0	0	0	0	0

**Bits 0, 1, 2, 3, 4, 5, 6, 7, 8, 9, 10, 11, 12, 13, 14, 15, 16, 17, 18, 19, 20, 21, 22, 23, 24, 25, 26, 27, 28, 29, 30, 31 - Px Lock Status**

Value	Description
0	The I/O line of the I/O group x is not locked.
1	The I/O line of the I/O group x is locked.

### 29.7.5 PIO Set Output Data Register

**Name:** PIO\_SODRx  
**Offset:** 0x10 + x\*0x40 [x=0..3]  
**Reset:** -  
**Property:** Write-only

Bit	31	30	29	28	27	26	25	24
	P31	P30	P29	P28	P27	P26	P25	P24
Access	W	W	W	W	W	W	W	W
Reset	-	-	-	-	-	-	-	-
Bit	23	22	21	20	19	18	17	16
	P23	P22	P21	P20	P19	P18	P17	P16
Access	W	W	W	W	W	W	W	W
Reset	-	-	-	-	-	-	-	-
Bit	15	14	13	12	11	10	9	8
	P15	P14	P13	P12	P11	P10	P9	P8
Access	W	W	W	W	W	W	W	W
Reset	-	-	-	-	-	-	-	-
Bit	7	6	5	4	3	2	1	0
	P7	P6	P5	P4	P3	P2	P1	P0
Access	W	W	W	W	W	W	W	W
Reset	-	-	-	-	-	-	-	-

**Bits 0, 1, 2, 3, 4, 5, 6, 7, 8, 9, 10, 11, 12, 13, 14, 15, 16, 17, 18, 19, 20, 21, 22, 23, 24, 25, 26, 27, 28, 29, 30, 31 - Px Set Output Data**

Value	Description
0	No effect.
1	Sets the data to be driven on the I/O line of I/O group x.

## 29.7.6 PIO Clear Output Data Register

**Name:** PIO\_CODRx  
**Offset:** 0x14 + x\*0x40 [x=0..3]  
**Reset:** -  
**Property:** Write-only

Bit	31	30	29	28	27	26	25	24
	P31	P30	P29	P28	P27	P26	P25	P24
Access	W	W	W	W	W	W	W	W
Reset	-	-	-	-	-	-	-	-
Bit	23	22	21	20	19	18	17	16
	P23	P22	P21	P20	P19	P18	P17	P16
Access	W	W	W	W	W	W	W	W
Reset	-	-	-	-	-	-	-	-
Bit	15	14	13	12	11	10	9	8
	P15	P14	P13	P12	P11	P10	P9	P8
Access	W	W	W	W	W	W	W	W
Reset	-	-	-	-	-	-	-	-
Bit	7	6	5	4	3	2	1	0
	P7	P6	P5	P4	P3	P2	P1	P0
Access	W	W	W	W	W	W	W	W
Reset	-	-	-	-	-	-	-	-

**Bits 0, 1, 2, 3, 4, 5, 6, 7, 8, 9, 10, 11, 12, 13, 14, 15, 16, 17, 18, 19, 20, 21, 22, 23, 24, 25, 26, 27, 28, 29, 30, 31 - Px Clear Output Data**

Value	Description
0	No effect.
1	Clears the data to be driven on the I/O line of the I/O group x.

## 29.7.7 PIO Output Data Status Register

**Name:** PIO\_ODSRx  
**Offset:** 0x18 + x\*0x40 [x=0..3]  
**Reset:** 0x00000000  
**Property:** Read/Write

Writing this register will only affect I/O lines enabled in the PIO\_MSKRx.

Bit	31	30	29	28	27	26	25	24
	P31	P30	P29	P28	P27	P26	P25	P24
Access	R/W	R/W	R/W	R/W	R/W	R/W	R/W	R/W
Reset	0	0	0	0	0	0	0	0
Bit	23	22	21	20	19	18	17	16
	P23	P22	P21	P20	P19	P18	P17	P16
Access	R/W	R/W	R/W	R/W	R/W	R/W	R/W	R/W
Reset	0	0	0	0	0	0	0	0
Bit	15	14	13	12	11	10	9	8
	P15	P14	P13	P12	P11	P10	P9	P8
Access	R/W	R/W	R/W	R/W	R/W	R/W	R/W	R/W
Reset	0	0	0	0	0	0	0	0
Bit	7	6	5	4	3	2	1	0
	P7	P6	P5	P4	P3	P2	P1	P0
Access	R/W	R/W	R/W	R/W	R/W	R/W	R/W	R/W
Reset	0	0	0	0	0	0	0	0

**Bits 0, 1, 2, 3, 4, 5, 6, 7, 8, 9, 10, 11, 12, 13, 14, 15, 16, 17, 18, 19, 20, 21, 22, 23, 24, 25, 26, 27, 28, 29, 30, 31 - Px Output Data Status**

Value	Description
0	The data to be driven on the I/O line of the I/O group x is 0.
1	The data to be driven on the I/O line of the I/O group x is 1.

## 29.7.8 PIO Interrupt Enable Register

**Name:** PIO\_IERx  
**Offset:** 0x20 + x\*0x40 [x=0..3]  
**Reset:** -  
**Property:** Write-only

This register can only be written if the WPITEN bit is cleared in the [PIO Write Protection Mode Register](#).

Bit	31	30	29	28	27	26	25	24
	P31	P30	P29	P28	P27	P26	P25	P24
Access	W	W	W	W	W	W	W	W
Reset	-	-	-	-	-	-	-	-
Bit	23	22	21	20	19	18	17	16
	P23	P22	P21	P20	P19	P18	P17	P16
Access	W	W	W	W	W	W	W	W
Reset	-	-	-	-	-	-	-	-
Bit	15	14	13	12	11	10	9	8
	P15	P14	P13	P12	P11	P10	P9	P8
Access	W	W	W	W	W	W	W	W
Reset	-	-	-	-	-	-	-	-
Bit	7	6	5	4	3	2	1	0
	P7	P6	P5	P4	P3	P2	P1	P0
Access	W	W	W	W	W	W	W	W
Reset	-	-	-	-	-	-	-	-

**Bits 0, 1, 2, 3, 4, 5, 6, 7, 8, 9, 10, 11, 12, 13, 14, 15, 16, 17, 18, 19, 20, 21, 22, 23, 24, 25, 26, 27, 28, 29, 30, 31 - Px Input Change Interrupt Enable**

Value	Description
0	No effect.
1	Enables the Input Change interrupt on the I/O line of the I/O group x.

## 29.7.9 PIO Interrupt Disable Register

**Name:** PIO\_IDRx  
**Offset:** 0x24 + x\*0x40 [x=0..3]  
**Reset:** -  
**Property:** Write-only

This register can only be written if the WPITEN bit is cleared in the [PIO Write Protection Mode Register](#).

Bit	31	30	29	28	27	26	25	24
	P31	P30	P29	P28	P27	P26	P25	P24
Access	W	W	W	W	W	W	W	W
Reset	-	-	-	-	-	-	-	-
Bit	23	22	21	20	19	18	17	16
	P23	P22	P21	P20	P19	P18	P17	P16
Access	W	W	W	W	W	W	W	W
Reset	-	-	-	-	-	-	-	-
Bit	15	14	13	12	11	10	9	8
	P15	P14	P13	P12	P11	P10	P9	P8
Access	W	W	W	W	W	W	W	W
Reset	-	-	-	-	-	-	-	-
Bit	7	6	5	4	3	2	1	0
	P7	P6	P5	P4	P3	P2	P1	P0
Access	W	W	W	W	W	W	W	W
Reset	-	-	-	-	-	-	-	-

**Bits 0, 1, 2, 3, 4, 5, 6, 7, 8, 9, 10, 11, 12, 13, 14, 15, 16, 17, 18, 19, 20, 21, 22, 23, 24, 25, 26, 27, 28, 29, 30, 31 - Px Input Change Interrupt Disable**

Value	Description
0	No effect.
1	Disables the Input Change interrupt on the I/O line of the I/O group x.



### 29.7.10 PIO Interrupt Mask Register

**Name:** PIO\_IMRx  
**Offset:** 0x28 + x\*0x40 [x=0..3]  
**Reset:** 0x00000000  
**Property:** Read-only

Bit	31	30	29	28	27	26	25	24
	P31	P30	P29	P28	P27	P26	P25	P24
Access	R	R	R	R	R	R	R	R
Reset	0	0	0	0	0	0	0	0
Bit	23	22	21	20	19	18	17	16
	P23	P22	P21	P20	P19	P18	P17	P16
Access	R	R	R	R	R	R	R	R
Reset	0	0	0	0	0	0	0	0
Bit	15	14	13	12	11	10	9	8
	P15	P14	P13	P12	P11	P10	P9	P8
Access	R	R	R	R	R	R	R	R
Reset	0	0	0	0	0	0	0	0
Bit	7	6	5	4	3	2	1	0
	P7	P6	P5	P4	P3	P2	P1	P0
Access	R	R	R	R	R	R	R	R
Reset	0	0	0	0	0	0	0	0

**Bits 0, 1, 2, 3, 4, 5, 6, 7, 8, 9, 10, 11, 12, 13, 14, 15, 16, 17, 18, 19, 20, 21, 22, 23, 24, 25, 26, 27, 28, 29, 30, 31 - Px Input Change Interrupt Mask**

Value	Description
0	Input Change interrupt is disabled on the I/O line of the I/O group x.
1	Input Change interrupt is enabled on the I/O line of the I/O group x.

### 29.7.11 PIO Interrupt Status Register

**Name:** PIO\_ISRx  
**Offset:** 0x2C + x\*0x40 [x=0..3]  
**Reset:** 0x00000000  
**Property:** Read-only

PIO\_ISR is reset at 0x00000000. However, the first read of the register may read a different value as input changes may have occurred.

Bit	31	30	29	28	27	26	25	24
	P31	P30	P29	P28	P27	P26	P25	P24
Access	R	R	R	R	R	R	R	R
Reset	0	0	0	0	0	0	0	0
Bit	23	22	21	20	19	18	17	16
	P23	P22	P21	P20	P19	P18	P17	P16
Access	R	R	R	R	R	R	R	R
Reset	0	0	0	0	0	0	0	0
Bit	15	14	13	12	11	10	9	8
	P15	P14	P13	P12	P11	P10	P9	P8
Access	R	R	R	R	R	R	R	R
Reset	0	0	0	0	0	0	0	0
Bit	7	6	5	4	3	2	1	0
	P7	P6	P5	P4	P3	P2	P1	P0
Access	R	R	R	R	R	R	R	R
Reset	0	0	0	0	0	0	0	0

#### Bits 0, 1, 2, 3, 4, 5, 6, 7, 8, 9, 10, 11, 12, 13, 14, 15, 16, 17, 18, 19, 20, 21, 22, 23, 24, 25, 26, 27, 28, 29, 30, 31 - Px Input Change Interrupt Status

Value	Description
0	No Input Change has been detected on the I/O line of the I/O group x since PIO_ISRx was last read or since reset.
1	At least one Input Change has been detected on the I/O line of the I/O group since PIO_ISRx was last read or since reset.

## 29.7.12 PIO I/O Freeze Configuration Register

**Name:** PIO\_IofRx  
**Offset:** 0x3C + x\*0x40 [x=0..3]  
**Reset:** -  
**Property:** Write-only

Writing this register will only affect I/O lines enabled in the PIO\_MSKRx.

Bit	31	30	29	28	27	26	25	24
	FRZKEY[23:16]							
Access	W	W	W	W	W	W	W	W
Reset	-	-	-	-	-	-	-	-
Bit	23	22	21	20	19	18	17	16
	FRZKEY[15:8]							
Access	W	W	W	W	W	W	W	W
Reset	-	-	-	-	-	-	-	-
Bit	15	14	13	12	11	10	9	8
	FRZKEY[7:0]							
Access	W	W	W	W	W	W	W	W
Reset	-	-	-	-	-	-	-	-
Bit	7	6	5	4	3	2	1	0
							FINT	FPHY
Access							W	W
Reset							-	-

### Bits 31:8 – FRZKEY[23:0] Freeze Key

Value	Name	Description
0x494F46	PASSWD	Writing any other value in this field aborts the write operation of the WPEN bit.

### Bit 1 – FINT Freeze Interrupt Configuration

Only a hardware reset can reset the FINT bit.

Value	Description
0	No effect.
1	Freezes the EVTSEL field if FRZKEY corresponds to 0x494F46 ("IOF" in ASCII):

### Bit 0 – FPHY Freeze Physical Configuration

Only a hardware reset can reset the FPHY bit.

Value	Description
0	No effect.
1	Freezes the following configuration fields if FRZKEY corresponds to 0x494F46 ("IOF" in ASCII): <ul style="list-style-type: none"> <li>• FUNC: I/O Line Function</li> <li>• DIR: Direction</li> <li>• PUEN: Pull-Up Enable</li> <li>• PDEN: Pull-Down Enable</li> <li>• OPD: Open-Drain</li> <li>• SCHMITT: Schmitt Trigger</li> <li>• DRVSTR: Drive Strength</li> </ul>

### 29.7.13 PIO Slow Clock Divider Debouncing Register

**Name:** PIO\_SCDR  
**Offset:** 0x500  
**Reset:** 0x00000000  
**Property:** Read/Write

This register can only be written if the WPEN bit is cleared in the [PIO Write Protection Mode Register](#).

Bit	31	30	29	28	27	26	25	24	
Access									
Reset									
Bit	23	22	21	20	19	18	17	16	
Access									
Reset									
Bit	15	14	13	12	11	10	9	8	
Access			DIV[13:8]						
Reset			R/W	R/W	R/W	R/W	R/W	R/W	
			0	0	0	0	0	0	
Bit	7	6	5	4	3	2	1	0	
Access	DIV[7:0]								
Reset	R/W	R/W	R/W	R/W	R/W	R/W	R/W	R/W	
	0	0	0	0	0	0	0	0	

#### Bits 13:0 – DIV[13:0] Slow Clock Divider Selection for Debouncing

$$t_{div\_slck} = ((DIV + 1) \times 2) \times t_{slck}$$

## 29.7.14 PIO Write Protection Mode Register

**Name:** PIO\_WPMR  
**Offset:** 0x5E0  
**Reset:** 0x00000000  
**Property:** Read/Write

Bit	31	30	29	28	27	26	25	24
	WPKEY[23:16]							
Access	W	W	W	W	W	W	W	W
Reset	0	0	0	0	0	0	0	0
Bit	23	22	21	20	19	18	17	16
	WPKEY[15:8]							
Access	W	W	W	W	W	W	W	W
Reset	0	0	0	0	0	0	0	0
Bit	15	14	13	12	11	10	9	8
	WPKEY[7:0]							
Access	W	W	W	W	W	W	W	W
Reset	0	0	0	0	0	0	0	0
Bit	7	6	5	4	3	2	1	0
							WPITEN	WPEN
Access							R/W	R/W
Reset							0	0

### Bits 31:8 – WPKEY[23:0] Write Protection Key

Value	Name	Description
0x50494F	PASSWD	Writing any other value in this field aborts the write operation of the WPEN bit. Always reads as 0.

### Bit 1 – WPITEN Write Protection Interrupt Enable

See [29.5.16. Register Write Protection](#) for the list of registers that can be protected.

Value	Description
0	Disables the write protection on interrupt registers if WPKEY corresponds to 0x50494F (“PIO” in ASCII).
1	Enables the write protection on interrupt registers if WPKEY corresponds to 0x50494F (“PIO” in ASCII).

### Bit 0 – WPEN Write Protection Enable

See [29.5.16. Register Write Protection](#) for the list of registers that can be protected.

Value	Description
0	Disables the write protection if WPKEY corresponds to 0x50494F (“PIO” in ASCII).
1	Enables the write protection if WPKEY corresponds to 0x50494F (“PIO” in ASCII).

### 29.7.15 PIO Write Protection Status Register

**Name:** PIO\_WPSR  
**Offset:** 0x5E4  
**Reset:** 0x00000000  
**Property:** Read-only

Bit	31	30	29	28	27	26	25	24
Access								
Reset								
Bit	23	22	21	20	19	18	17	16
	WPVSRC[15:8]							
Access	R	R	R	R	R	R	R	R
Reset	0	0	0	0	0	0	0	0
Bit	15	14	13	12	11	10	9	8
	WPVSRC[7:0]							
Access	R	R	R	R	R	R	R	R
Reset	0	0	0	0	0	0	0	0
Bit	7	6	5	4	3	2	1	0
								WPVS
Access								R
Reset								0

#### Bits 23:8 – WPVSRC[15:0] Write Protection Violation Source

When WPVS = 1, WPVSRC indicates the register address offset at which a write access has been attempted.

#### Bit 0 – WPVS Write Protection Violation Status

Value	Description
0	No write protection violation has occurred since the last read of the PIO_WPSR.
1	A write protection violation has occurred since the last read of the PIO_WPSR. If this violation is an unauthorized attempt to write a protected register, the associated violation is reported into field WPVSRC.

## 30. Hardened External Memory Controller (HEMC)

### 30.1 Description

The Hardened External Memory Controller (HEMC) is designed to ensure the successful data transfer between several external devices and the embedded Memory Controller of an ARM-based device dedicated to aerospace applications.

The HEMC features one external memory controller, a Hardened Static Memory Controller (HSMC). This external memory controller is capable of handling several types of external memory and peripheral devices, such as SRAM, PROM, Flash memories. The HEMC also supports an Hardened Error Correction Code (HECC) to manage data integrity on the external memories.

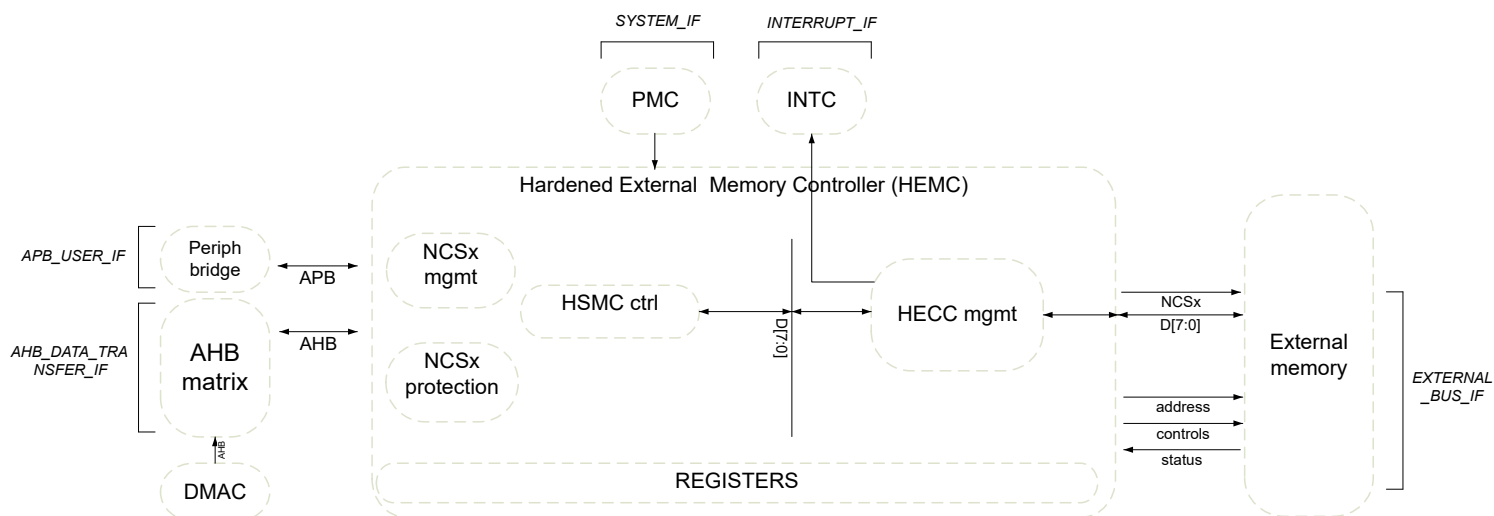
The HEMC handles data transfers with up to 2 external devices, each assigned to one of the 2 customizable address spaces. Data transfers are performed through a data bus, an external address bus of up to 21 bits, up to 2 chip select lines and several control pins.

### 30.2 Embedded Characteristics

- HSMC Controller
  - 8-bit PROM and Flash memories
  - 8-bit SRAM memories
- Memory Size
  - PROM, SRAM up to 2 Mbytes
- AMBA Compliant
- Read-Modify-Write (RMW)
- Word Burst, Word, Halfword and Byte Transfers
- Embedded Access Protection
  - AMBA read/write and user/superuser access can be accepted or denied by HEMC
- Interrupt Capabilities
- 2 Independent Chip Selects (NCSx [x=0 to 1])
  - NCSx supports any type of memory
  - Configurable NCSx start address
  - NCSx configurable memory sizes
- On-the-fly Hardened Error Correction Code (HECC)

## 30.3 Block Diagram

Figure 30-1. Organization of the HEMC



## 30.4 I/O Lines

The HEMC has interfaces to perform communication between external memories and the internal AMBA 32-bit bus. The signals are detailed in the table below.

Table 30-1. HEMC I/O Lines Description

Signal Name	Signal Direction	Signal Width	Signal Polarity	Signal Description
A[20:0]	Output	21	-	Address bit
D[7:0]	Input/Output	8	-	Data bits
NCS[1:0]	Output	6	Low	Chip select line signals
NRD	Output	1	Low	HSMC read signal
NWE	Output	1	Low	HSMC write enable signal
NWAIT	Input	1	Low	HSMC external wait signal

## 30.5 Typical Applications

### 30.5.1 Hardware Interface

The HEMC supports PROM, Flash, SRAM memories, with or without ECC.

Table 30-2. Typical Applications Supported – HSMC – 8-bit Modes

HEMC Signal Name	8-bit Mode HECC ON or OFF
	1 x 8-bit static devices
A[20:0]	A[20:0]
D[7:0]	D[7:0]
NCS[0]	CS <sup>(1)</sup>
NCS[1]	
NRD	OE
NWE	WE <sup>(2)</sup>



**Notes:**

1. CS can be connected to one of the NCS[1:0].
2. WE can be connected either to the global write enable NWE or to the byte write enable signal (NWR[0]).

## 30.6 Functional Description

The HEMC transfers data between the internal AMBA AHB Bus handled by the Bus Matrix and the external memories. It is composed of the following elements:

- HEMC NCSx management, to configure dynamically each NCSx memory area
- HEMC NCSx protection, to accept or reject internal AMBA AHB data transactions
- HSMC controller, to access external PROM/SRAM memories
- A chip select assignment feature that assigns an AHB address space to the external devices
- HECC management, to increase the reliability and to protect the data against radiation issues

All these elements are accessible via end user registers.

**Notes:** For details, refer to the sections:

- Hardened Static Memory Controller (HSMC)
- Hardened Error Correction Code (HECC) Controller

### 30.6.1 HEMC NCSx Management

#### 30.6.1.1 Overview

The HEMC embeds 2 independent chip selects (NCS) that can be used for static memories. The goal of the NCS management block is to configure each NCS memory area depending on the end user application needs.

#### 30.6.1.2 Memory Type Selection

Each NCSx can support static (SRAM, PROM, Flash) memories. The configuration of the memory to support is performed through the HEMC\_CR\_NCSx register:

- To select static memories, clear the HEMC\_CR\_NCSx.TYPE.

#### 30.6.1.3 NCSx Bank Size Configuration

Each NCSx can support wide ranging configurable memories, see [Table 30-3](#).

The bank size configuration is performed via HEMC\_CR\_NCSx.BANKSIZE.

The table below presents allowable bank size configurations and their associated code.

**Table 30-3.** Allowable Bank Size Values

Code	Size	Comments
0b00000	8 Kbytes	-
0b00001	16 Kbytes	-
0b00010	32 Kbytes	-
0b00011	64 Kbytes	-
0b00100	128 Kbytes	-
0b00101	256 Kbytes	-
0b00110	512 Kbytes	-
0b00111	1 MBytes	-
0b01000	2 MBytes	-
0b01001	4 Mbytes	Value not used
0b01010	8 Mbytes	Value not used

.....continued		
Code	Size	Comments
0b01011	16 Mbytes	Value not used
0b01100	32 Mbytes	Value not used
0b01101	64 Mbytes	Value not used
0b01110	128 Mbytes	Value not used
0b01111	256 Mbytes	Value not used
0b10000	512 Mbytes	Value not used
0b11111	NOT_USED	Configuration for a disabled chip select
Other values	RESERVED	-

**Note:** For the unused NCSx memory area, the corresponding HEMC\_CR\_NCSx.BANKSIZE must be set to 0x1F and HEMC\_CR\_NCSx.ADDBASE must be set to 0x3\_FFFF.

### 30.6.1.4 NCSx Start Address

Each NCSx memory may be located anywhere inside the “Memories” section of the product memory mapping. To set up the location of the memory of an NCSx, the AHB relative<sup>(1)</sup> start address must be configured. This is done using the HEMC\_CR\_NCSx.ADDBASE register field<sup>(2)</sup>.

#### Notes:

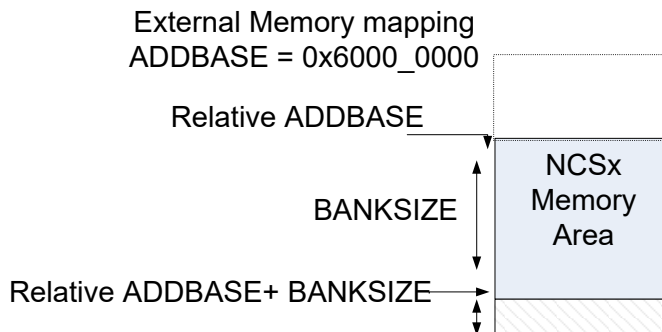
1. Because the authorized areas are inside the “Memories” section, all the AHB start address information is relative to the beginning of the “Memories” section of the product memory mapping. In our case, all the AHB start addresses are relative to 0x6000\_0000.
2. Because the smallest allowable bank size is equal to 8 Kbytes, only the 18 MSB of the AHB relative start address are significant.
3. For the unused NCSx memory area, the corresponding HEMC\_CR\_NCSx.BANKSIZE must be set to 0x1F and HEMC\_CR\_NCSx.ADDBASE must be set to 0x3\_FFFF.

### 30.6.1.5 NCSx Memory Area Definition

The NCSx memory area definition is performed by setting up the previous parameters described in the three previous sections.

The figure below illustrates the NCSx memory area definition, for the relative start address and bank size parameters.

**Figure 30-2.** NCSx Memory Area Definition



### 30.6.1.6 Restrictions

Each NCSx memory area definition must be strictly in the range of the “Memories” section of the product mapping.

Moreover, if several NCSx memory areas are defined, they must not overlap each other. Otherwise, behavior is unpredictable.

The MPLAB Harmony configurator has a dedicated interface to help the user to set up the HEMC peripheral.

### 30.6.1.7 Example

The following example illustrates how to set up the HEMC\_CR\_NCSx register.

**Example:** NCS[1] shall cover the area 0x6000\_0000 to 0x6010\_0000 -1, with an SRAM.

1. The relative start address is 0x0000\_0000. The 18-bit MSB are equal to 0x0\_0000: HEMC\_CR\_NCS1.ADDBASE= 0x0\_0000.
2. The bank size is 0x6010\_0000 - 0x6000\_0000=1 Mbytes. Hence, HEMC\_CR\_NCS1.BANKSIZE=0x07.
3. The memory type is HSMC: HEMC\_CR\_NCS1.TYPE= 0.

### 30.6.1.8 Boot Memory

If the application needs to boot on an external static PROM memory, the following constraints must be respected:

- Only the NCS0 has a boot capability. Therefore, the BOOT PROM memory must be connected on this chip select.
- In order to boot with the requested configuration, the NCS0 memory area is automatically configured from the values read on the following functions, when product reset is released:
  - CFG2=('1') activate HECC, =( '0') NO HECC
  - The CFG3 is internally driven to '0' to select Hamming code.

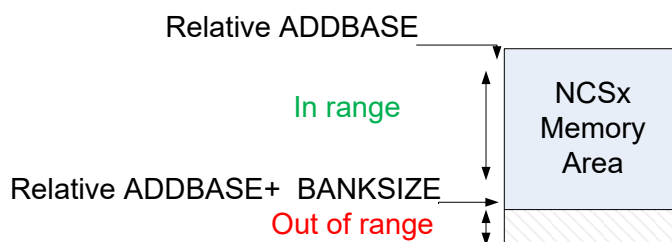
**Note:** Refer to the PIO multiplexing section to know on which PIO each CFGx function is connected to.

### 30.6.1.9 In Range/Out of Range Definition

When AHB data transfer occurs, the HEMC verifies whether the AHB address requested is in one of the NCSx memory areas previously defined (in range) or not (out of range).

The following figure presents the "in range" and "out of range" definition on an NCSx memory area.

**Figure 30-3.** Out of Range Definition



If the AHB address requested is in range, the current AHB transaction occurs normally.

If the AHB address requested is out of range:

- A flag Out\_of\_Range is raised automatically (HEMC\_SR.OUTOFRANGE='1').
- An interrupt can also be raised (HEMC\_ISR. OUTOFRANGE = '1'), if it is previously enabled (HEMC\_IER. OUTOFRANGE = '1').
- The current AHB transaction is aborted.

## 30.6.2 HEMC NCSx Protection

### 30.6.2.1 Overview

The HEMC embeds a protection feature with the following characteristics:

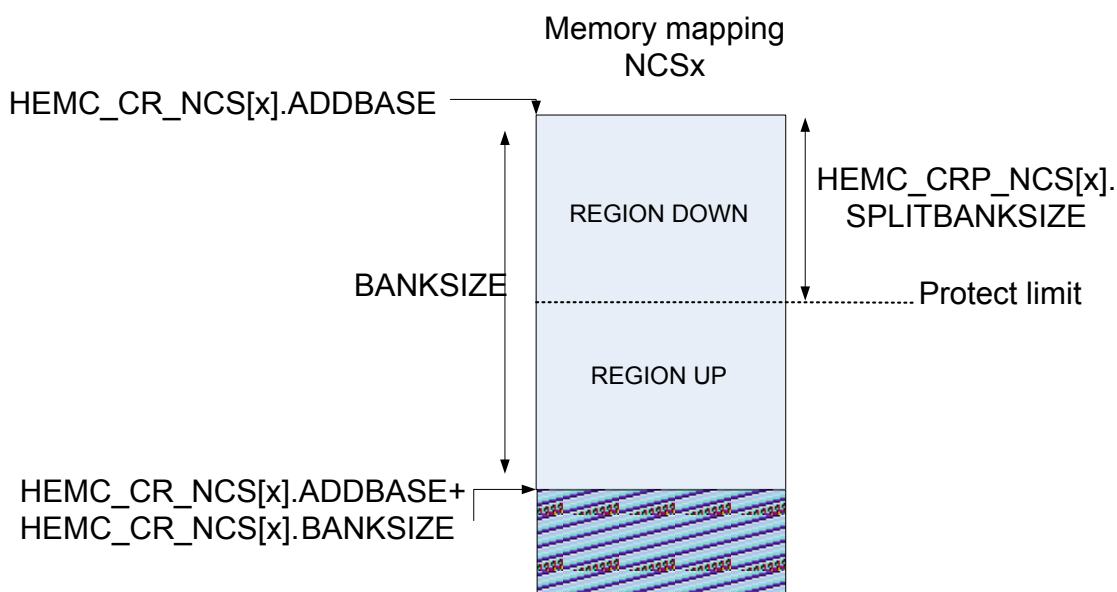
- Read (RD) or/and Write (WR) accesses are allowed or rejected on a part of each NCSx memory area depending on the HEMC NCSx protection applied on this area.
- User access can be allowed or rejected on a part of each NCSx memory area depending on the HEMC NCSx protection applied on this area.

**Note:** This protection mechanism does not affect Superuser (or privilege) access which is always allowed.

### 30.6.2.2 Memory Area Region Definition

A region is a part of an NCSx memory area. Two regions, named UP and DOWN in this document, make up one NCSx memory area and these regions are separated by the protect limit, as presented below:

**Figure 30-4.** Region in NCSx Memory Area Definition



The protect limit is defined by configuring the SPLITBANKSIZE field in the HEMC\_CRP\_NCSx register. This limit can vary from 8 Kbytes to HEMC\_CR\_NCSx.BANKSIZE.

**Note:** If HEMC\_CRP\_NCSx.SPLITBANKSIZE is equal to HEMC\_CR\_NCSx.BANKSIZE, the region DOWN covers the entire NCS memory area.

### 30.6.2.3 Enabling/Disabling Protection

The protection can be enabled/disabled on each NCSx memory area by setting/clearing PROTECTON bit in the HEMC\_CRP\_NCSx register.

#### 30.6.2.3.1 Access Types

The types of access are:

- Read (RD) access is allowed or rejected in a region if the HEMC\_CRP\_NCSx.RD is set or cleared, respectively.
- Write (WR) access is allowed or rejected in a region if the HEMC\_CRP\_NCSx.WR is set or cleared, respectively.
- User access is allowed or rejected in a region if the HEMC\_CRP\_NCSx.SUPERUSER is cleared or set, respectively.

**Note:** Superuser (Privilege) access is always allowed in a region.

**Note:** HEMC\_CRP\_NCSx.PROTECTON must be set to enable protection.

### 30.6.2.3.2 Master Protection

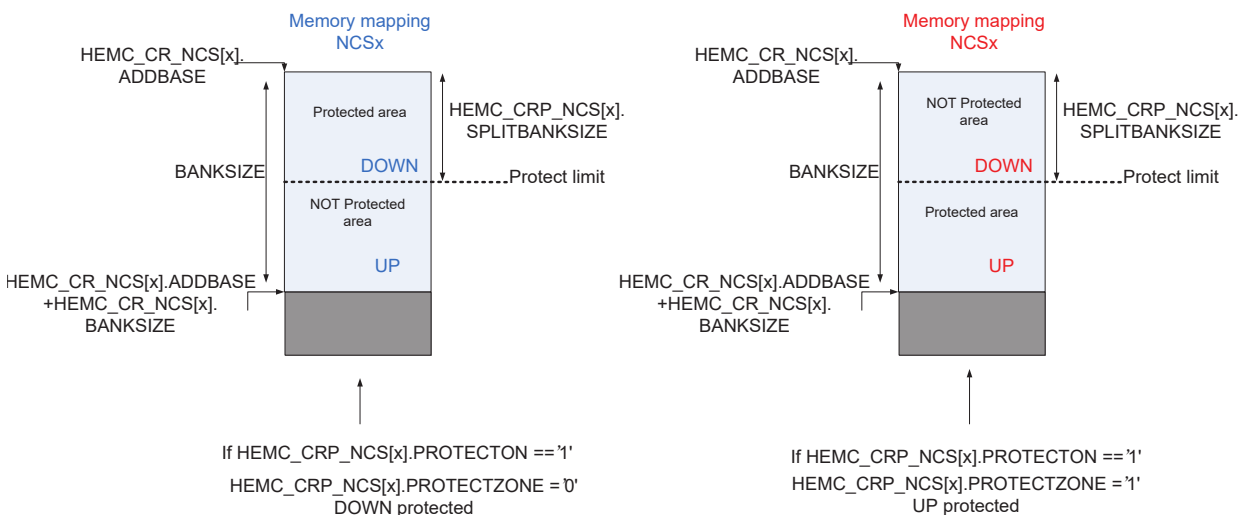
The protection rules described above can be applied to data coming from specific masters. By configuring HEMC\_CRP\_NCSx.MASTERNUMBER, data coming from masters can be submitted or not to the previous rules.

For the list of masters and their definitions, refer to the section “Bus Matrix”.

### 30.6.2.4 Region Protection

The protection can be applied on the REGION\_DOWN or on the REGION\_UP depending on the configuration of HEMC\_CRP\_NCSx.PROTECTZONE. Refer to the figures below.

**Figure 30-5.** Protection Region Applicability



### 30.6.2.5 Error Flags

When an unwanted AHB access from a specific master is done on an NCSx memory-protected region, (previously configured and enabled), the corresponding error flags are raised automatically.

- A flag RDERRORACCESS raises automatically (HEMC\_SR. RDERRORACCESS = '1') in a case of unwanted Read access.
- A flag WRERRORACCESS raises automatically (HEMC\_SR. WRERRORACCESS = '1') in a case of unwanted Write access.
- A flag USERERRORACCESS raises automatically (HEMC\_SR. USERERRORACCESS = '1') in a case of unwanted User access.

**Note:** Several flags can be raised in case of multiple violations on a protected area (unwanted Read and User access or unwanted Write and User access).

The corresponding interrupt (HEMC\_ISR.RDERRORACCESS) is also raised if this interrupt is previously enabled (HEMC\_IER. RDERRORACCESS).

The corresponding interrupt (HEMC\_ISR. WRERRORACCESS) is also raised if this interrupt is previously enabled (HEMC\_IER. WRERRORACCESS).

The corresponding interrupt (HEMC\_ISR. USERERRORACCESS) is also raised if this interrupt is previously enabled (HEMC\_IER. USERERRORACCESS).

**Note:** Several interrupts are raised if there are multiple violations on a protected area; for example, in the case of unwanted Read and User access or unwanted Write and User access.

## 30.7 Register Summary

Offset	Name	Bit Pos.	7	6	5	4	3	2	1	0
0x00	HEMC_CR_NCS0	7:0	ADDBASE[0]	TYPE	BANKSIZE[4:0]				ZERO	
		15:8	ADDBASE[8:1]							
		23:16	ADDBASE[16:9]							
		31:24	ECC_ENABLE	WRITE_ECC_CONF						
0x04	HEMC_CR_NCS1	7:0	ADDBASE[0]	TYPE	BANKSIZE[4:0]				ZERO	
		15:8	ADDBASE[8:1]							
		23:16	ADDBASE[16:9]							
		31:24	ECC_ENABLE							ADDBASE[17]
0x08 ... 0x1F	Reserved									
0x20	HEMC_CRP_NCS0	7:0	MASTERNUMBER[7:0]							
		15:8	MASTERNUMBER[15:8]							
		23:16	SPLITBANKSIZE[4:0]				RD	WR	SUPERUSER	
		31:24							PROTECTON	PROTECTZONE
0x24	HEMC_CRP_NCS1	7:0	MASTERNUMBER[7:0]							
		15:8	MASTERNUMBER[15:8]							
		23:16	SPLITBANKSIZE[4:0]				RD	WR	SUPERUSER	
		31:24							PROTECTON	PROTECTZONE
0x28 ... 0x37	Reserved									
0x38	HEMC_IER	7:0			USERERRORACCESS	WRERRORACCESS	RDERRORACCESS	OUTOFRANGE		
		15:8								
		23:16								
		31:24								
0x3C	HEMC_IDR	7:0			USERERRORACCESS	WRERRORACCESS	RDERRORACCESS	OUTOFRANGE		
		15:8								
		23:16								
		31:24								
0x40	HEMC_IMR	7:0			USERERRORACCESS	WRERRORACCESS	RDERRORACCESS	OUTOFRANGE		
		15:8								
		23:16								
		31:24								
0x44	HEMC_ISR	7:0			USERERRORACCESS	WRERRORACCESS	RDERRORACCESS	OUTOFRANGE		
		15:8								
		23:16								
		31:24								
0x48	HEMC_SR	7:0			USERERRORACCESS	WRERRORACCESS	RDERRORACCESS	OUTOFRANGE		
		15:8								
		23:16								
		31:24								

### 30.7.1 HEMC Control Register Chip Select 0

**Name:** HEMC\_CR\_NCS0

**Offset:** 0x00

**Reset:** 0x0000001E

**Property:** Read/Write

Bit	31	30	29	28	27	26	25	24
		ECC_ENABLE	WRITE_ECC_CONF					ADDBASE[17]
Access		R/W	R/W					R/W
Reset		x	0					0
Bit	23	22	21	20	19	18	17	16
	ADDBASE[16:9]							
Access	R/W	R/W	R/W	R/W	R/W	R/W	R/W	R/W
Reset	0	0	0	0	0	0	0	0
Bit	15	14	13	12	11	10	9	8
	ADDBASE[8:1]							
Access	R/W	R/W	R/W	R/W	R/W	R/W	R/W	R/W
Reset	0	0	0	0	0	0	0	0
Bit	7	6	5	4	3	2	1	0
	ADDBASE[0]	TYPE	BANKSIZE[4:0]				ZERO	
Access	R/W	R/W	R/W	R/W	R/W	R/W	R/W	R/W
Reset	0	0	0	1	1	1	1	0

#### Bit 30 – ECC\_ENABLE ECC Protection Enable

Value	Description
0	ECC is deactivated.
1	ECC is activated.

#### Bit 29 – WRITE\_ECC\_CONF ECC Configuration Protection Enable

Value	Description
0	Modifying the ECC configuration through this register is not permitted; it can only be done by sampling the states of CFG[2] when Reset is released.
1	Modifying the ECC configuration through the register is permitted.

#### Bits 24:7 – ADDBASE[17:0] Relative Base Address of NCS Area

18-bit MSB address to define the relative base address of the corresponding chip select. (all '1' is the default value, i.e 3\_FFFF, meaning that the current area is not configured).

#### Bit 6 – TYPE Type of Memory Connected

Value	Name	Description
0	SMC	SMC (PROM or SRAM) is connected.
1	ONE	ONE

#### Bits 5:1 – BANKSIZE[4:0] Bank Size

Bank size by chip select, from 8 Kbytes to 512 Mbytes. Default is 256 Mbytes.

Value	Name	Description
00000	8KB	8 Kbytes
00001	16KB	16 Kbytes
00010	32KB	32 Kbytes

Value	Name	Description
00011	64KB	64 Kbytes
00100	128KB	128 Kbytes
00101	256KB	256 Kbytes
00110	512KB	512 Kbytes
00111	1MB	1 Mbytes
01000	2MB	2 Mbytes
01001	4MB	4 Mbytes
01010	8MB	8 Mbytes
01011	16MB	16 Mbytes
01100	32MB	32 Mbytes
01101	64MB	64 Mbytes
01110	128MB	128 Mbytes
01111	256MB	256 Mbytes (Default)
10000	512MB	512 Mbytes
11111	NOT_USED	NCS not configured

**Note:** This feature is product dependent, refer to the [30.6.1.3. NCSx Bank Size Configuration](#) section to know which value is supported.

#### Bit 0 – ZERO Fixed to 0

Value	Description
0	ZERO



### 30.7.2 HEMC Control Register Chip Select 1

**Name:** HEMC\_CR\_NCS1

**Offset:** 0x04

**Reset:** 0x01FFFFBE

**Property:** Read/Write

Bit	31	30	29	28	27	26	25	24
		ECC_ENABLE						ADDBASE[17]
Access		R/W						R/W
Reset		x						1
Bit	23	22	21	20	19	18	17	16
	ADDBASE[16:9]							
Access	R/W	R/W	R/W	R/W	R/W	R/W	R/W	R/W
Reset	1	1	1	1	1	1	1	1
Bit	15	14	13	12	11	10	9	8
	ADDBASE[8:1]							
Access	R/W	R/W	R/W	R/W	R/W	R/W	R/W	R/W
Reset	1	1	1	1	1	1	1	1
Bit	7	6	5	4	3	2	1	0
	ADDBASE[0]	TYPE	BANKSIZE[4:0]					ZERO
Access	R/W	R/W	R/W	R/W	R/W	R/W	R/W	R/W
Reset	1	0	1	1	1	1	1	0

#### Bit 30 – ECC\_ENABLE ECC Protection Enable

Value	Description
0	ECC is deactivated.
1	ECC is activated.

#### Bits 24:7 – ADDBASE[17:0] Relative Base Address of NCS Area

18-bit MSB address to define the relative base address of the corresponding chip select. (all '1' is the default value, that is, 3\_FFFF, meaning that the current area is not configured).

#### Bit 6 – TYPE Type of Memory Connected

Value	Name	Description
0	SMC	SMC (PROM or SRAM) is connected.
1	ONE	ONE

#### Bits 5:1 – BANKSIZE[4:0] Bank Size

Bank size by chip select, from 8 Kbytes to 512 Mbytes. Default is 256 Mbytes.

Value	Name	Description
00000	8KB	8 Kbytes
00001	16KB	16 Kbytes
00010	32KB	32 Kbytes
00011	64KB	64 Kbytes
00100	128KB	128 Kbytes
00101	256KB	256 Kbytes
00110	512KB	512 Kbytes
00111	1MB	1 Mbytes
01000	2MB	2 Mbytes
01001	4MB	4 Mbytes

Value	Name	Description
01010	8MB	8 Mbytes
01011	16MB	16 Mbytes
01100	32MB	32 Mbytes
01101	64MB	64 Mbytes
01110	128MB	128 Mbytes
01111	256MB	256 Mbytes (Default)
10000	512MB	512 Mbytes
11111	NOT_USED	NCS not configured

**Note:** This feature is product dependent, refer to the [30.6.1.3. NCSx Bank Size Configuration](#) section to know which value is supported.

**Bit 0 – ZERO** Fixed to 0

Value	Description
0	ZERO

### 30.7.3 HEMC Control Register Protection Chip Select x

**Name:** HEMC\_CRP\_NCSx  
**Offset:** 0x20 + x\*0x04 [x=0..1]  
**Reset:** 0x00000000  
**Property:** Read/Write

**Note:** This register is cleared on read.

Bit	31	30	29	28	27	26	25	24	
							PROTECTON	PROTECTZONE	
Access							R/W	R/W	
Reset							0	0	
Bit	23	22	21	20	19	18	17	16	
	SPLITBANKSIZE[4:0]						RD	WR	SUPERUSER
Access	R/W	R/W	R/W	R/W	R/W	R/W	R/W	R/W	
Reset	0	0	0	0	0	0	0	0	
Bit	15	14	13	12	11	10	9	8	
	MASTERNUMBER[15:8]								
Access	R/W	R/W	R/W	R/W	R/W	R/W	R/W	R/W	
Reset	0	0	0	0	0	0	0	0	
Bit	7	6	5	4	3	2	1	0	
	MASTERNUMBER[7:0]								
Access	R/W	R/W	R/W	R/W	R/W	R/W	R/W	R/W	
Reset	0	0	0	0	0	0	0	0	

#### Bit 25 – PROTECTON Protection Activation

Value	Description
0	Protection is OFF.
1	Protection is ON.

#### Bit 24 – PROTECTZONE Select Area Protected

Value	Description
0	DOWN is protected, UP is not protected.
1	DOWN is not protected, UP is protected.

#### Bits 23:19 – SPLITBANKSIZE[4:0] Bank Size Internal Separation

0b00000 to 0b10000: from 8 KBytes to 512 Mbytes with the constraint that SPLITBANKSIZE ≤ CR\_NCS[x].BANKSIZE and CR\_NCS[x].ADDBASE is valid.

#### Bit 18 – RD Read Access

Value	Description
0	Read access not allowed.
1	Read access allowed.

#### Bit 17 – WR Write Access

Value	Description
0	Write access not allowed.
1	Write access allowed.

#### Bit 16 – SUPERUSER User or Superuser Access

Value	Description
0	User and Superuser access allowed.
1	Only Superuser access allowed.

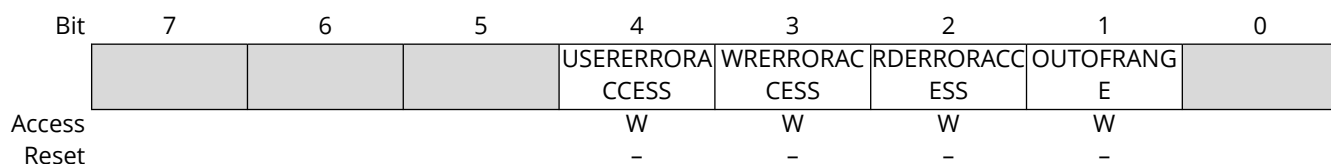
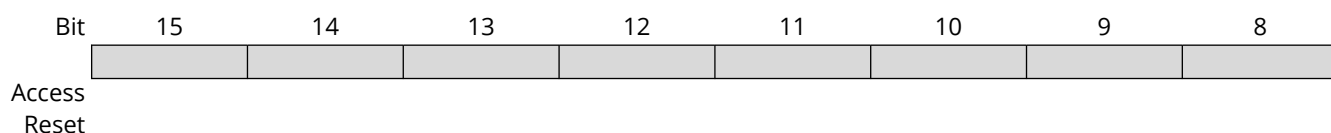
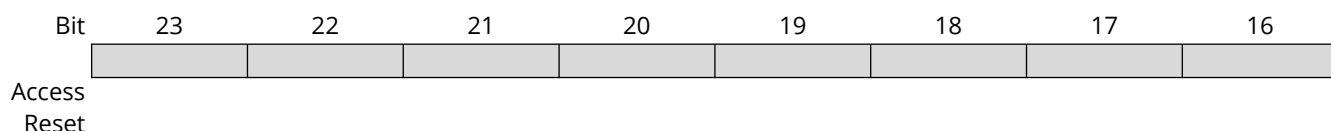
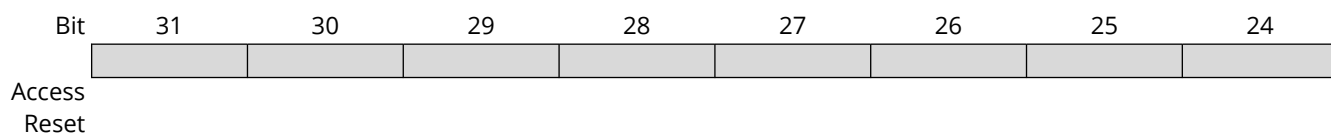
**Bits 15:0 – MASTERNUMBER[15:0]** Master Number ID

For each master on the AHB (from M0 to M15) (bit0 = M0...bit15 = M15)

Value	Description
0	Memory not protected against the master (no restriction).
1	Memory protected against the master (restriction).

### 30.7.4 HEMC Interrupt Enable Register

**Name:** HEMC\_IER  
**Offset:** 0x38  
**Reset:** -  
**Property:** Write-only



#### Bit 4 - USERERRORACCESS User Access Interrupt Enable

Value	Description
0	No effect.
1	User error access interrupt enabled.

#### Bit 3 - WRERRORACCESS Write Access Interrupt Enable

Value	Description
0	No effect.
1	Write error access interrupt enabled.

#### Bit 2 - RDERRORACCESS Read Access Interrupt Enable

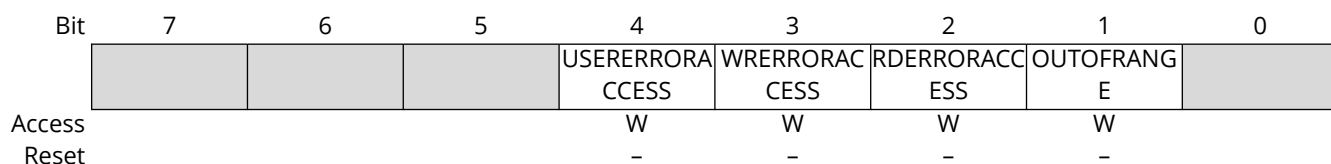
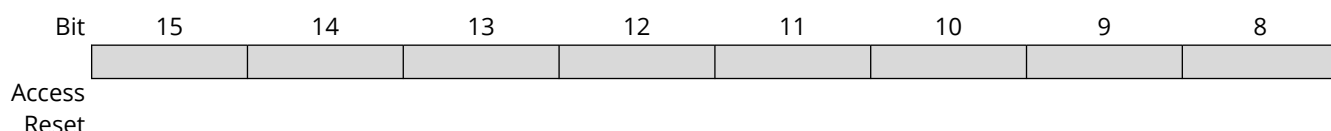
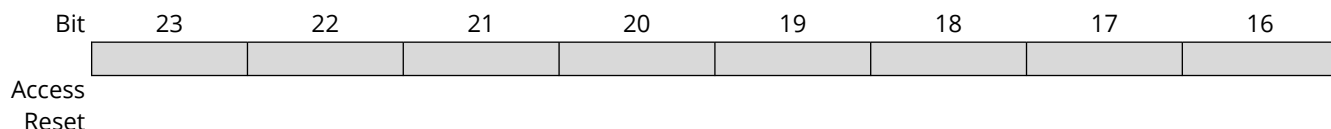
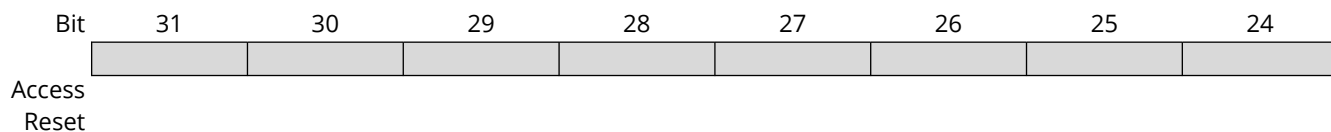
Value	Description
0	No effect.
1	Read error access interrupt enabled.

#### Bit 1 - OUTOFRANGE Out of Range Interrupt Enable

Value	Description
0	No effect.
1	Out of range interrupt enabled.

### 30.7.5 HEMC Interrupt Disable Register

**Name:** HEMC\_IDR  
**Offset:** 0x3C  
**Reset:** -  
**Property:** Write-only



#### Bit 4 - USERERRORACCESS User Access Interrupt Disable

Value	Description
0	No effect.
1	User error access interrupt disabled.

#### Bit 3 - WRERRORACCESS Write Access Interrupt Disable

Value	Description
0	No effect.
1	Write error access interrupt disabled.

#### Bit 2 - RDERRORACCESS Read Access Interrupt Disable

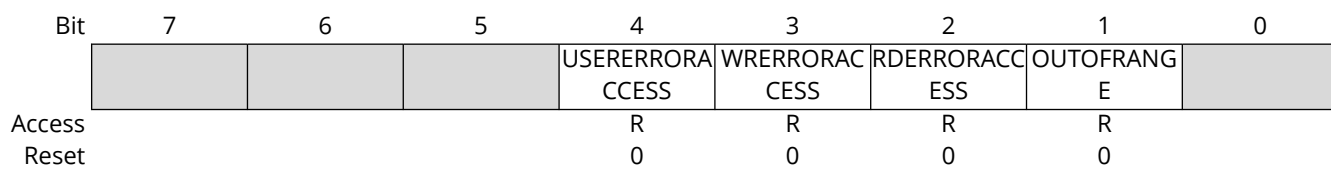
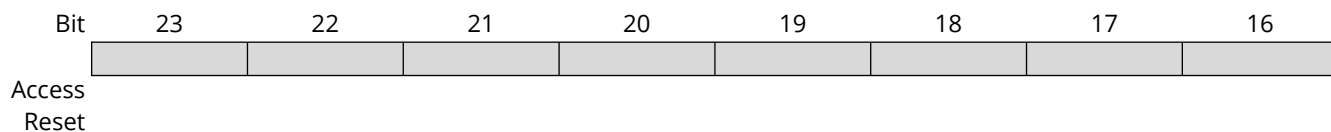
Value	Description
0	No effect.
1	Read error access interrupt disabled.

#### Bit 1 - OUTOFRANGE Out of Range Interrupt Disable

Value	Description
0	No effect.
1	Out of range interrupt disabled.

### 30.7.6 HEMC Interrupt Mask Register

**Name:** HEMC\_IMR  
**Offset:** 0x40  
**Reset:** 0x00000000  
**Property:** Read-only



#### Bit 4 - USERERRORACCESS User Access Mask Interrupt

Value	Description
0	User error access interrupt disabled.
1	User error access interrupt enabled.

#### Bit 3 - WRERRORACCESS Write Access Error Mask Interrupt

Value	Description
0	Write error access interrupt disabled.
1	Write error access interrupt enabled.

#### Bit 2 - RDERRORACCESS Read Access Error Mask Interrupt

Value	Description
0	Read error access interrupt disabled.
1	Read error access interrupt enabled.

#### Bit 1 - OUTOFRANGE Out of Range Mask Interrupt

Value	Description
0	Out of range interrupt disabled.
1	Out of range interrupt enabled.

### 30.7.7 HEMC Interrupt Status Register

**Name:** HEMC\_ISR  
**Offset:** 0x44  
**Reset:** 0x00000000  
**Property:** Read-only

**Note:** This register is cleared on read

Bit	31	30	29	28	27	26	25	24
Access								
Reset								
Bit	23	22	21	20	19	18	17	16
Access								
Reset								
Bit	15	14	13	12	11	10	9	8
Access								
Reset								
Bit	7	6	5	4	3	2	1	0
Access				R	R	R	R	
Reset				0	0	0	0	

#### Bit 4 - USERERRORACCESS User Interrupt Pending

Value	Description
0	User error access interrupt not pending.
1	User error access interrupt pending.

#### Bit 3 - WRERRORACCESS Write Access Interrupt Pending

Value	Description
0	Write error access interrupt not pending.
1	Write error access interrupt pending.

#### Bit 2 - RDERRORACCESS Read Access Interrupt Pending

Value	Description
0	Read error access interrupt not pending.
1	Read error access interrupt pending.

#### Bit 1 - OUTOFRANGE Out of Range Interrupt Pending

Value	Description
0	Out of range interrupt not pending.
1	Out of range interrupt pending.



### 30.7.8 HEMC Status Register

**Name:** HEMC\_SR  
**Offset:** 0x48  
**Reset:** 0x00000000  
**Property:** Read-only

**Note:** This register is cleared on read.

Bit	31	30	29	28	27	26	25	24
Access								
Reset								
Bit	23	22	21	20	19	18	17	16
Access								
Reset								
Bit	15	14	13	12	11	10	9	8
Access								
Reset								
Bit	7	6	5	4	3	2	1	0
Access				USERERRORA CESS	WRERRORAC CESS	RDERRORACC ESS	OUTOFRANG E	
Reset				R 0	R 0	R 0	R 0	

#### Bit 4 - USERERRORACCESS User or Supersuser Error Access

Value	Description
0	User error access not detected.
1	User error access detected.

#### Bit 3 - WRERRORACCESS Write Access Error

Value	Description
0	Write error access not detected.
1	Write error access detected.

#### Bit 2 - RDERRORACCESS Read Access Error

Value	Description
0	Read error access not detected.
1	Read error access detected.

#### Bit 1 - OUTOFRANGE Out of Range

Value	Description
0	Out of range not detected.
1	Out of range detected.

## 31. Hardened Error Correction Code (HECC) Controller

### 31.1 Description

The Hardened Error Correction Code (HECC) Controller protects data against the effects of radiation. It is embedded in the Hardened External Memory Controller (HEMC).

### 31.2 Embedded Characteristics

- 1 Channel Depending on the Memory Type and the Access Used
- Embedded Hamming Code to Correct One Error and Detect up to Two Errors
- Interrupt Capabilities
  - One interrupt dedicated to fixable errors
  - One interrupt dedicated to unfixable errors
- Error Counter Available for Statistical Reporting
  - One counter dedicated to fixable errors
  - One counter dedicated to unfixable errors
- Embedded HECC Testing Mode

### 31.3 Block Diagram

Refer to the [30.3. Block Diagram](#) of the HEMC peripheral.

### 31.4 Functional Description

#### 31.4.1 Overview

The HECC comprises:

- Hamming encoder/decoder
- An APB end user interface used to configure:
  - the HECC protection
  - the encoder/decoder type used: (Hamming )
  - the HECC test mode (independently in read or write mode)
  - the reset of the HECC fixable and unfixable counters
- An APB end user interface for errors status and reporting:
  - Indicates whether fixable errors have been detected and corrected on-the-fly, and quantifies them
  - Indicates whether unfixable errors have been detected and quantifies them
  - The indication can be done either by interruption or by polling
  - Indicates the address and the status (type, size and origin) of the last HECC error detected

#### 31.4.2 Operation

1 channel is implemented in the HECC module.

ECC protection is individually enabled or disabled for each Chip Select by setting or clearing the HEMC\_CR\_NCSx.ECC\_ENABLE bit ( $0 \leq x \leq 1$ ). When enabled, the HECC operates at each access to the memories. However, the HECC detection and correction is performed only on read/fetch accesses, by comparing the HECC checksum stored in memory to the one locally computed from data read.

**Note:**

Upon reset, ECC protection performed on the NCS0 memory area is configured from the value read on external pin CFG2. By driving CFG2 high (resp. low) during Reset, it is possible to enable (resp. disable) the HECC protection.

The default reset configuration can be modified through the HEMC\_CR\_NCS0 register by setting the HEMC\_CR\_NCS0.ECC\_ENABLE bits. However, the modification is possible if HEMC\_CR\_NCS0.WRITE\_ECC\_CONF is firstly set.

ECC protection performed on the other memory areas (NCSx,  $1 \leq x \leq 1$ ) is configured with the HEMC\_CR\_NCSx.ECC\_ENABLE bits in the corresponding HEMC\_CR\_NCSx registers.

**Note:** When the HECC is enabled on the HEMC area, the corresponding read modify write RMW enable bits in the Mode registers (HSMC\_MODE) must also be enabled so that the integrity of the HECC checkbits is preserved on sub-word writes.

**31.4.3 Interrupt Sources**

Using the HECC interrupt requires the interrupt controller to be programmed first.

**31.5 Hamming Code**

The Hamming code used is Hamming(39,32). For each 32-bit word, a 7-bit checksum is generated. With this correction code, errors of one bit can be corrected (fixable error) and errors of up to two bits (unfixable errors) can be detected.

**31.5.1 Write Access**

When the processor performs a write access to an HECC protected memory, it also writes the 7-bit HECC checksum on the HECC protected memory.

**Note:** CB[7] is always driven low unless HECC testing is enabled.

**31.5.2 Read Access**

When the processor performs a read access to an HECC protected memory, it reads data and the associated checksum. The checksum read from the HECC protected memory is compared against the checksum generated by the HECC from the same read data. Any discrepancy yields an error and a syndrome is computed to further qualify the error as a fixable error or unfixable error.

**31.5.3 Fixable Error**

The correction of a fixable error is performed on-the-fly inside the processor during the current access and no timing penalty is incurred.

The fixable error event is reported in the Status register (HEMC\_HECC\_SR) and the address of the corresponding error is reported in the Fail Address register (HEMC\_HECC\_FAILAR). The Fail Data is reported in the Fail Data register (HEMC\_HECC\_FAILDR). If previously enabled, a fixable interrupt is generated.

The fixable error remains in memory until a software-initiated rewrite is performed at the faulty memory location.

To track the number of fixable errors, a fixable error counter is available. It is incremented each time a fixable error is detected and until a counter overflow is detected.

It is possible for the end user to reset the fixable counter using RST\_FIX\_CPT in [31.7.1. HEMC\\_HECC\\_CR](#).

**31.5.4 Unfixable Error**

The unfixable error event is reported in the Status register (HEMC\_HECC\_SR) and the address of the corresponding error is reported in the Fail Address register (HEMC\_HECC\_FAILAR). The Fail Data is reported in the Fail Data register (HEMC\_HECC\_FAILDR). If previously enabled, an unfixable interrupt is generated.

To track the number of unfixable errors, an unfixable error counter is available. It is incremented each time an unfixable error is detected and until a counter overflow is detected.

It is possible for the end user to reset the unfixable counter using RST\_NOFIX\_CPT in [31.7.1. HEMC\\_HECC\\_CR](#).

### 31.5.5 Hamming on 8-bit Memories

When Hamming is used, protection is performed as follows on 8-bit memories:

- D[7:0] is used to store/load 32-bit data or fetch instruction in a burst of four accesses.
- D[7:0] is used to store/load checksum with an additional access.

#### 31.5.5.1 Memory Repartition

The protected memory bank is partitioned as follows:

- 80% of the memory bank is available as program or data memory
- 20% of the memory bank is allocated to the HECC checksum

#### 31.5.5.2 HECC Checkbits Address Calculation

The HECC checksum address is defined by the following equation:

$$@ecc = @bottom\_memory - [ @data - @top\_memory ] / 4$$

where

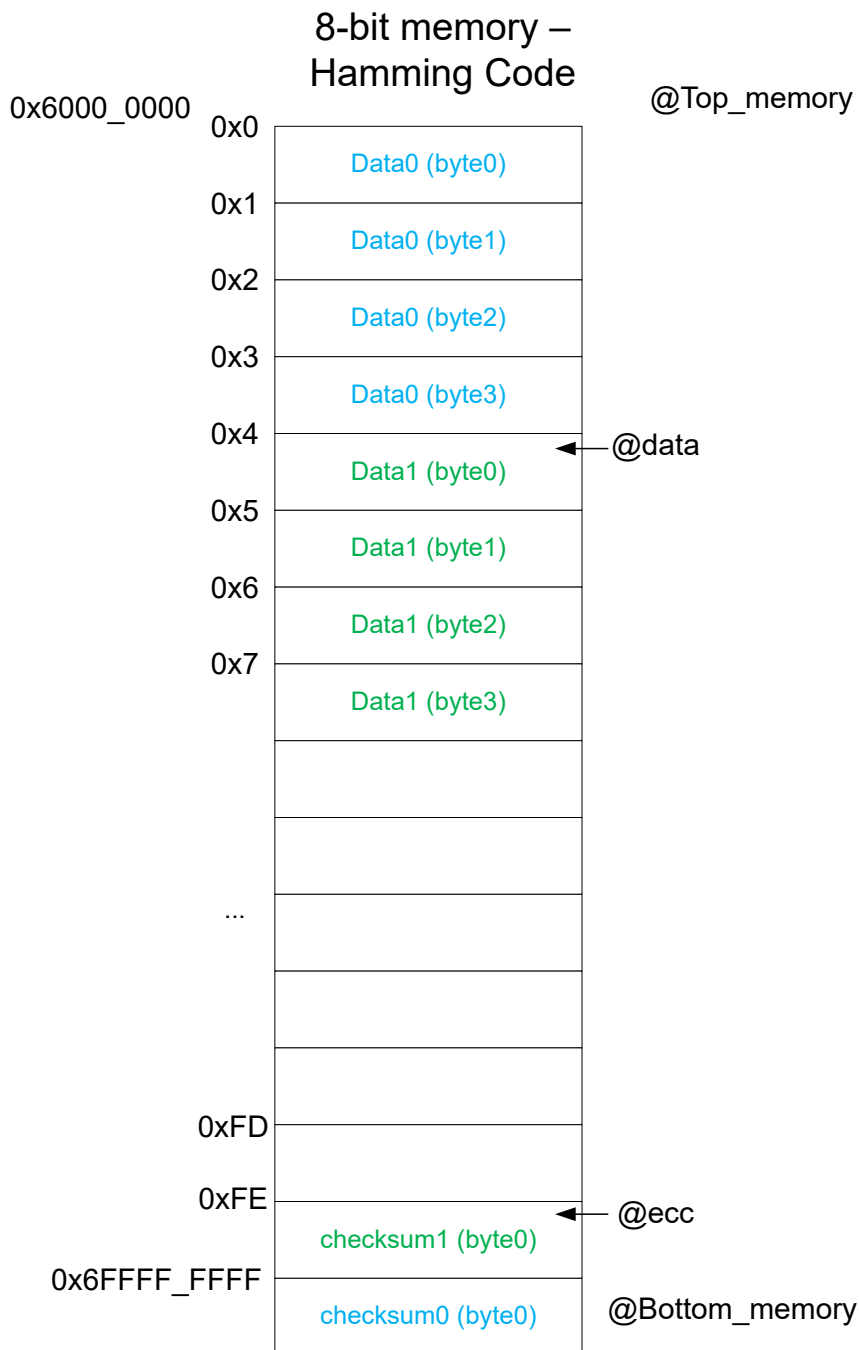
*@ecc = address of HECC checksum*

*@bottom\_memory = higher address cover by the memory range*

*@top\_memory = lower address cover by the memory range*

*@data = address of data written*

Figure 31-1. Hamming Protection on 8-bit Memory Organization (example with a memory of 256 MBytes)



## 31.6 HECC Testing

Operation of the HECC can be bypassed for testing purposes and is controlled in the Control register (31.7.1. [HEMC\\_HECC\\_CR](#)).

### 31.6.1 Write Test

When HECC write bypass is enabled (31.7.1. [HEMC\\_HECC\\_CR.TEST\\_MODE\\_WR](#)), the test checksum (31.7.2. [HEMC\\_HECC\\_TESTCB.TCB1](#)) replaces the HECC generated checksum during a data store.

### 31.6.2 Read Test

When the HECC read diagnostic is enabled (31.7.1. [HEMC\\_HECC\\_CR.TEST\\_MODE\\_RD=1](#)), the test checksum (31.7.2. [HEMC\\_HECC\\_TESTCB.TCB1](#)) is updated with the read checksum during a data load or an instruction fetch.

**Note:** The HECC test routine must be executed entirely from the instruction cache (when activated) or from an area without the HECC activated and different from the one being accessed. Otherwise, the checksum read during instruction fetch will overwrite those from the area to be tested.

## 31.7 Register Summary

Offset	Name	Bit Pos.	7	6	5	4	3	2	1	0	
0x00 ... 0xFF	Reserved										
0x0100	HEMC_HECC_CR	7:0			RST_NOFIX_C PT	RST_FIX_CPT		TEST_MODE_ WR	TEST_MODE_ RD		
		15:8									
		23:16									
		31:24									
0x0104 ... 0x013F	Reserved										
0x0140	HEMC_HECC_TESTC B	7:0	TCB1[7:0]								
		15:8	TCB1[15:8]								
		23:16									
		31:24									
0x0144 ... 0x017F	Reserved										
0x0180	HEMC_HECC_SR	7:0	OVER_FIX	CPT_FIX[4:0]							MEM_FIX
		15:8	OVER_NOFIX	CPT_NOFIX[4:0]							MEM_NOFIX
		23:16									
		31:24					TYPE	HES[2:0]			
0x0184	HEMC_HECC_IER	7:0							MEM_NOFIX	MEM_FIX	
		15:8									
		23:16									
		31:24									
0x0188	HEMC_HECC_IDR	7:0							MEM_NOFIX	MEM_FIX	
		15:8									
		23:16									
		31:24									
0x018C	HEMC_HECC_IMR	7:0							MEM_NOFIX	MEM_FIX	
		15:8									
		23:16									
		31:24									
0x0190	HEMC_HECC_FAILA R	7:0	ADDRESS[7:0]								
		15:8	ADDRESS[15:8]								
		23:16	ADDRESS[23:16]								
		31:24	ADDRESS[31:24]								
0x0194	HEMC_HECC_FAILD R	7:0	DATA[7:0]								
		15:8	DATA[15:8]								
		23:16	DATA[23:16]								
		31:24	DATA[31:24]								

### 31.7.1 HECC Control Register

**Name:** HEMC\_HECC\_CR  
**Offset:** 0x0100  
**Reset:** 0x00000000  
**Property:** Read/Write

Bit	31	30	29	28	27	26	25	24
Access								
Reset								
Bit	23	22	21	20	19	18	17	16
Access								
Reset								
Bit	15	14	13	12	11	10	9	8
Access								
Reset								
Bit	7	6	5	4	3	2	1	0
Access			R/W	R/W		R/W	R/W	
Reset			0	0		0	0	
			RST_NOFIX_C PT	RST_FIX_CPT		TEST_MODE_ WR	TEST_MODE_ RD	

#### Bit 5 – RST\_NOFIX\_CPT Reset the Unfixable Error Counter

This bit automatically returns to '0' once the operation is done.

Value	Description
0	No effect.
1	Resets the ECC unfixable error counter.

#### Bit 4 – RST\_FIX\_CPT Reset the Fixable Error Counter

This bit automatically returns to '0' once the operation is done.

Value	Description
0	No effect.
1	Resets the ECC fixable error counter.

#### Bit 2 – TEST\_MODE\_WR Test Mode of ECC Protection - Write Mode

The ENABLE bit must be enabled to use TEST\_MODE\_WR.

Value	Description
0	Write test mode is deactivated.
1	Write test mode is activated.

#### Bit 1 – TEST\_MODE\_RD Test Mode of ECC Protection - Read Mode

The ENABLE bit must be enabled to use TEST\_MODE\_RD.

Value	Description
0	Read test mode is deactivated.
1	Read test mode is activated.



### 31.7.2 HECC Test Mode Register

**Name:** HEMC\_HECC\_TESTCB  
**Offset:** 0x0140  
**Reset:** 0x00000000  
**Property:** Read/Write

Bit	31	30	29	28	27	26	25	24
Access								
Reset								
Bit	23	22	21	20	19	18	17	16
Access								
Reset								
Bit	15	14	13	12	11	10	9	8
Access	TCB1[15:8]							
Reset	R/W	R/W	R/W	R/W	R/W	R/W	R/W	R/W
Reset	0	0	0	0	0	0	0	0
Bit	7	6	5	4	3	2	1	0
Access	TCB1[7:0]							
Reset	R/W	R/W	R/W	R/W	R/W	R/W	R/W	R/W
Reset	0	0	0	0	0	0	0	0

#### Bits 15:0 – TCB1[15:0] Test Check Bit (8- or 16-bit)

Check bit for test purposes.

When Hamming is selected, only TCB1[7:0] is used.

### 31.7.3 HECC Status Register

**Name:** HEMC\_HECC\_SR  
**Offset:** 0x180  
**Reset:** 0x00000000  
**Property:** Read-only

**Note:** The register is clear on read.

Bit	31	30	29	28	27	26	25	24
					TYPE	HES[2:0]		
Access					R	R	R	R
Reset					0	0	0	0
Bit	23	22	21	20	19	18	17	16
Access								
Reset								
Bit	15	14	13	12	11	10	9	8
	OVER_NOFIX	CPT_NOFIX[4:0]						MEM_NOFIX
Access	R	R	R	R	R	R		R
Reset	0	0	0	0	0	0		0
Bit	7	6	5	4	3	2	1	0
	OVER_FIX	CPT_FIX[4:0]						MEM_FIX
Access	R	R	R	R	R	R		R
Reset	0	0	0	0	0	0		0

#### Bit 27 – TYPE Write or Read Access

Value	Description
0	Write access.
1	Read/fetch access.

#### Bits 26:24 – HES[2:0] Hardware Error Size

Identifies the size of the failed access.  
 000=8-bit, 001=16-bit, 010=32-bit access failure.

#### Bit 15 – OVER\_NOFIX Counter Overflow

Value	Description
0	No overflow has occurred since the last read on unfixable counter.
1	An overflow has occurred since the last read on unfixable counter.

#### Bits 14:10 – CPT\_NOFIX[4:0] 5-bit Counter

Counts the total number of unfixable errors detected on all channels since the counter was last reset through RST\_NOFIX\_CPT.

#### Bit 8 – MEM\_NOFIX Unfixable Error Status

Value	Description
0	No unfixable error detected.
1	An unfixable error has been detected.

#### Bit 7 – OVER\_FIX Counter Overflow

Value	Description
0	No overflow has occurred since the last read.

Value	Description
1	An overflow has occurred since the last read.

**Bits 6:2 – CPT\_FIX[4:0]** 5-bit Counter

Counts the total number of fixable errors detected on all channels since the counter was last reset  
RST\_FIX\_CPT

**Bit 0 – MEM\_FIX** Fixable Error Status

A fixable error has been detected.

Value	Description
0	No fixable error detected.
1	A fixable error has been detected.

### 31.7.4 HECC Interrupt Enable Register

**Name:** HEMC\_HECC\_IER

**Offset:** 0x184

**Reset:** -

**Property:** Write-only

The following configuration values are valid for all listed bit names of this register:

0: No effect.

1: Enables the corresponding interrupt.

Bit	31	30	29	28	27	26	25	24
Access								
Reset								
Bit	23	22	21	20	19	18	17	16
Access								
Reset								
Bit	15	14	13	12	11	10	9	8
Access								
Reset								
Bit	7	6	5	4	3	2	1	0
Access							MEM_NOFIX	MEM_FIX
Reset							W	W
							-	-

**Bit 1 - MEM\_NOFIX** Unfixable Error

**Bit 0 - MEM\_FIX** Fixable Error

### 31.7.5 HECC Interrupt Disable Register

**Name:** HEMC\_HECC\_IDR

**Offset:** 0x188

**Reset:** -

**Property:** Write-only

The following configuration values are valid for all listed bit names of this register:

0: No effect.

1: Disables the corresponding interrupt.

Bit	31	30	29	28	27	26	25	24
Access								
Reset								
Bit	23	22	21	20	19	18	17	16
Access								
Reset								
Bit	15	14	13	12	11	10	9	8
Access								
Reset								
Bit	7	6	5	4	3	2	1	0
Access							MEM_NOFIX	MEM_FIX
Reset							W	W
							-	-

**Bit 1 - MEM\_NOFIX** Unfixable Error

**Bit 0 - MEM\_FIX** Fixable Error

### 31.7.6 HECC Interrupt Mask Register

**Name:** HEMC\_HECC\_IMR

**Offset:** 0x18C

**Reset:** 0x00000000

**Property:** Read-only

The following configuration values are valid for all listed bit names of this register:

0: The corresponding interrupt is disabled.

1: The corresponding interrupt is enabled.

Bit	31	30	29	28	27	26	25	24
Access								
Reset								
Bit	23	22	21	20	19	18	17	16
Access								
Reset								
Bit	15	14	13	12	11	10	9	8
Access								
Reset								
Bit	7	6	5	4	3	2	1	0
Access							MEM_NOFIX	MEM_FIX
Reset							R	R
							0	0

**Bit 1 - MEM\_NOFIX** Unfixable Error

**Bit 0 - MEM\_FIX** Fixable Error

### 31.7.7 HECC Fail Address Register

**Name:** HEMC\_HECC\_FAILAR

**Offset:** 0x190

**Reset:** 0x00000000

**Property:** Read-only

Bit	31	30	29	28	27	26	25	24
	ADDRESS[31:24]							
Access	R	R	R	R	R	R	R	R
Reset	0	0	0	0	0	0	0	0
Bit	23	22	21	20	19	18	17	16
	ADDRESS[23:16]							
Access	R	R	R	R	R	R	R	R
Reset	0	0	0	0	0	0	0	0
Bit	15	14	13	12	11	10	9	8
	ADDRESS[15:8]							
Access	R	R	R	R	R	R	R	R
Reset	0	0	0	0	0	0	0	0
Bit	7	6	5	4	3	2	1	0
	ADDRESS[7:0]							
Access	R	R	R	R	R	R	R	R
Reset	0	0	0	0	0	0	0	0

#### Bits 31:0 – ADDRESS[31:0] Address of the Error Detected

The address of the faulty data detected when a fixable or unfixable error occurs.

### 31.7.8 HECC Fail Data Register

**Name:** HEMC\_HECC\_FAILDR  
**Offset:** 0x194  
**Reset:** 0x00000000  
**Property:** Read-only

Bit	31	30	29	28	27	26	25	24
	DATA[31:24]							
Access	R	R	R	R	R	R	R	R
Reset	0	0	0	0	0	0	0	0
Bit	23	22	21	20	19	18	17	16
	DATA[23:16]							
Access	R	R	R	R	R	R	R	R
Reset	0	0	0	0	0	0	0	0
Bit	15	14	13	12	11	10	9	8
	DATA[15:8]							
Access	R	R	R	R	R	R	R	R
Reset	0	0	0	0	0	0	0	0
Bit	7	6	5	4	3	2	1	0
	DATA[7:0]							
Access	R	R	R	R	R	R	R	R
Reset	0	0	0	0	0	0	0	0

#### Bits 31:0 – DATA[31:0] Data Error

The faulty data is stored in this register when a fixable or unfixable error occurs.



## 32. Hardened Static Memory Controller (HSMC)

### 32.1 Description

The Hardened External Memory Controller (HEMC) is designed to ensure the successful data transfer between several external devices and the ARM-based microcontroller. The Hardened Static Memory Controller (HSMC) is part of the HEMC.

The HSMC handles several types of external memory and peripheral devices, such as SRAM, PROM, EEPROM, LCD Module, NOR Flash.

The HSMC generates the signals that control the access to the external memory devices or peripheral devices. It has 2 chip selects, a 21-bit address bus and a configurable 8-bit data bus. Separate read and write control signals allow for direct memory and peripheral interfacing. Read and write signal waveforms are fully adjustable.

The HSMC can manage wait requests from external devices to extend the current access.

### 32.2 Embedded Characteristics

- Customizable Address Space per Chip Select
- 8 bit Data Bus
- Word, Halfword, Byte Transfers
- Byte Write Lines
- Programmable Setup, Pulse And Hold Time for Read Signals per Chip Select
- Programmable Setup, Pulse And Hold Time for Write Signals per Chip Select
- External Wait Request

### 32.3 I/O Lines Description

The I/O line definition is presented in the [30. Hardened External Memory Controller \(HEMC\)](#) section.

### 32.4 Product Dependencies

#### 32.4.1 I/O Lines

The pins used for interfacing the HSMC are multiplexed with the PIO lines. The programmer must first program the PIO controller to assign the HSMC pins to their peripheral function. If I/O lines of the HSMC are not used by the application, they can be used for other purposes by the PIO Controller.

#### 32.4.2 Power Management

The HSMC is clocked through the Power Management Controller (PMC), thus the programmer must first configure the PMC to enable the HSMC clock via the HEMC clock.

### 32.5 Connection to External Devices

#### 32.5.1 Data Bus Width

A data bus width of 8 bits is available for each chip select. This option is controlled by the bit DBW in the Mode register (HSMC\_MODE) for the corresponding chip select.

### 32.6 Read, Write and Read-Modify-Write Single Access

In the following sections:

- NWE represents either the NWE signal or one of the byte write lines (NWR0 to NWR4), if these are applicable to this product. NWR0 to NWR4 have the same timings and protocol as NWE.

- D[X:0] represents D[7:0] . They all have the same timings.
- A[W:0] represents A[20:0]

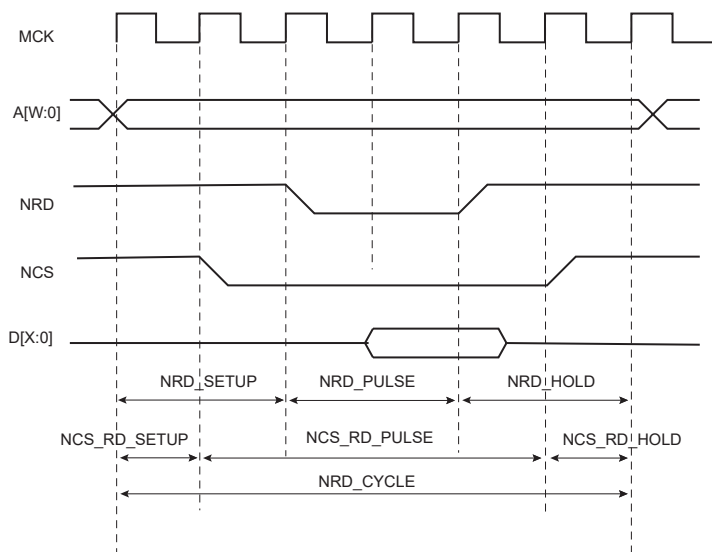
Similarly, NCSx represents one of the NCS[0..1] chip select lines.

### 32.6.1 Read Waveforms

The read cycle is shown in the following figure.

The read cycle starts with the address being driven on the memory address bus.

**Figure 32-1.** Standard Read Cycle



#### 32.6.1.1 NRD Waveform

The NRD signal is characterized by a setup timing, pulse width, and hold timing.

- **nrd\_setup**—NRD setup time is defined as the setup of address before the NRD falling edge
- **nrd\_pulse**—NRD pulse length is the time between NRD falling edge and NRD rising edge
- **nrd\_hold**—NRD hold time is defined as the hold time of address after the NRD rising edge

#### 32.6.1.2 NCS Waveform

The NCS signal can be divided into a setup time, pulse length, and hold time:

- **ncs\_rd\_setup**—NCS setup time is defined as the setup time of address before the NCS falling edge
- **ncs\_rd\_pulse**—NCS pulse length is the time between NCS falling edge and NCS rising edge
- **ncs\_rd\_hold**—NCS hold time is defined as the hold time of address after the NCS rising edge

### 32.6.2 Read Cycle

The **NRD\_CYCLE** time is defined as the total duration of the read cycle, i.e., from the time where address is set on the address bus to the point where address may change. The total read cycle time is defined as:

$$\text{NRD\_CYCLE} = \text{NRD\_SETUP} + \text{NRD\_PULSE} + \text{NRD\_HOLD},$$

as well as

$$\text{NRD\_CYCLE} = \text{NCS\_RD\_SETUP} + \text{NCS\_RD\_PULSE} + \text{NCS\_RD\_HOLD}$$

All NRD and NCS timings are defined separately for each chip select as an integer number of Master Clock cycles. The NRD\_CYCLE field is common to both the NRD and NCS signals, thus the timing period is of the same duration.

NRD\_CYCLE, NRD\_SETUP, and NRD\_PULSE implicitly define the NRD\_HOLD value as:

$$\text{NRD\_HOLD} = \text{NRD\_CYCLE} - \text{NRD\_SETUP} - \text{NRD\_PULSE}$$

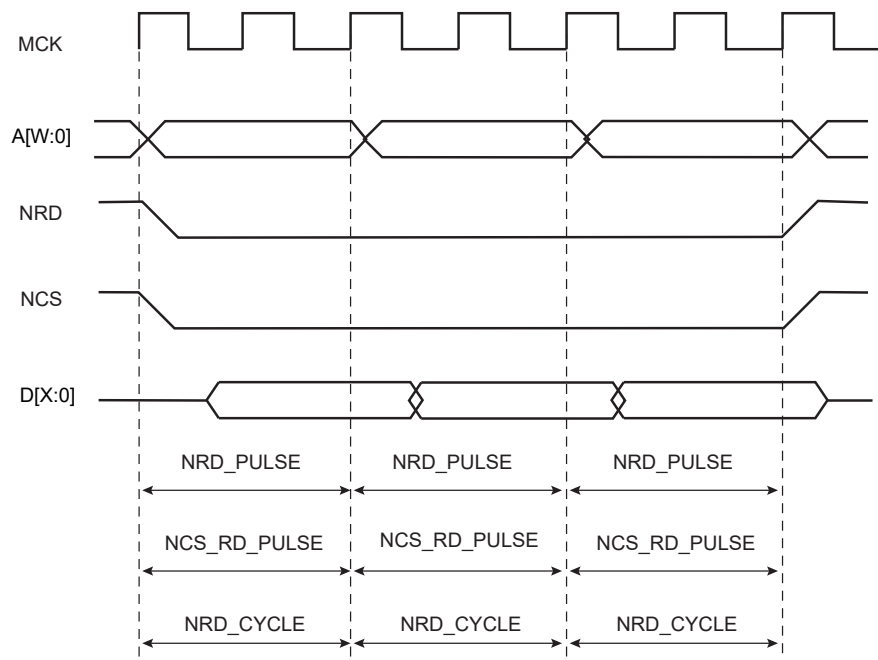
NRD\_CYCLE, NCS\_RD\_SETUP, and NCS\_RD\_PULSE implicitly define the NCS\_RD\_HOLD value as:

$$\text{NCS\_RD\_HOLD} = \text{NRD\_CYCLE} - \text{NCS\_RD\_SETUP} - \text{NCS\_RD\_PULSE}$$

### 32.6.3 Null Delay Setup and Hold

If null setup and hold parameters are programmed for NRD and/or NCS, NRD and NCS remain active continuously in case of consecutive read cycles in the same memory. See the following figure.

**Figure 32-2.** No Setup, No Hold on NRD and NCS Read Signals



### 32.6.4 Null Pulse

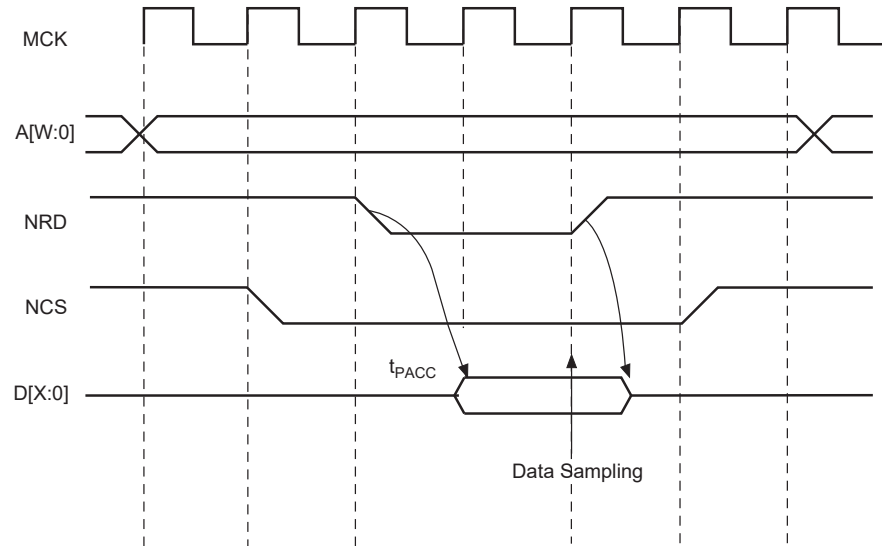
Programming a null pulse is not permitted. The pulse must be at least set to 1. A null value leads to unpredictable behavior.

### 32.6.5 Read Mode

As NCS and NRD waveforms are defined independently of one other, the HSMC needs to know when the read data is available on the data bus. The HSMC does not compare NCS and NRD timings to know which signal rises first. The READ\_MODE bit in the HSMC\_MODE register of the corresponding chip select indicates which signal of NRD and NCS controls the read operation.

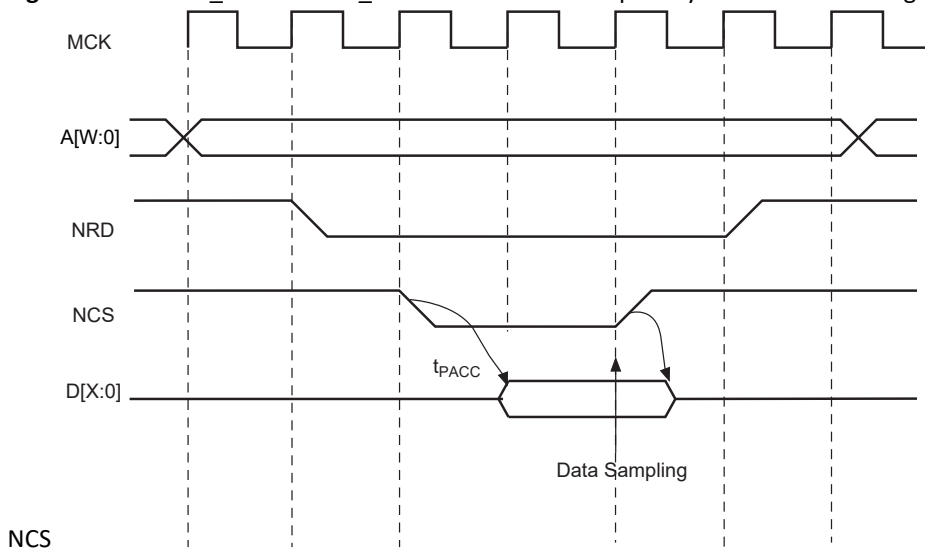
#### 32.6.5.1 Read is Controlled by NRD (HSMC\_MODE.READ\_MODE = 1):

The following figure shows the waveforms of a read operation of a typical asynchronous RAM. The read data is available  $t_{PACC}$  after the falling edge of NRD, and turns to 'Z' after the rising edge of NRD. In this case, HSMC\_MODE.READ\_MODE must be set to 1 (read is controlled by NRD), to indicate that data is available with the rising edge of NRD. The HSMC samples the read data internally on the rising edge of Master Clock that generates the rising edge of NRD, whatever the programmed waveform of NCS may be.

**Figure 32-3.** HSMC\_MODE.READ\_MODE = 1: Data is sampled by HSMC before the rising edge of NRD

### 32.6.5.2 Read is Controlled by NCS (HSMC\_MODE.READ\_MODE = 0)

The following figure shows the typical read cycle of an LCD module. The read data is valid  $t_{PACC}$  after the falling edge of the NCS signal and remains valid until the rising edge of NCS. Data must be sampled on the rising edge of NCS. In this case, the HSMC\_MODE.READ\_MODE must be set to 0 (read is controlled by NCS); the HSMC internally samples the data on the rising edge of Master Clock that generates the rising edge of NCS, whatever the programmed waveform of NRD may be.

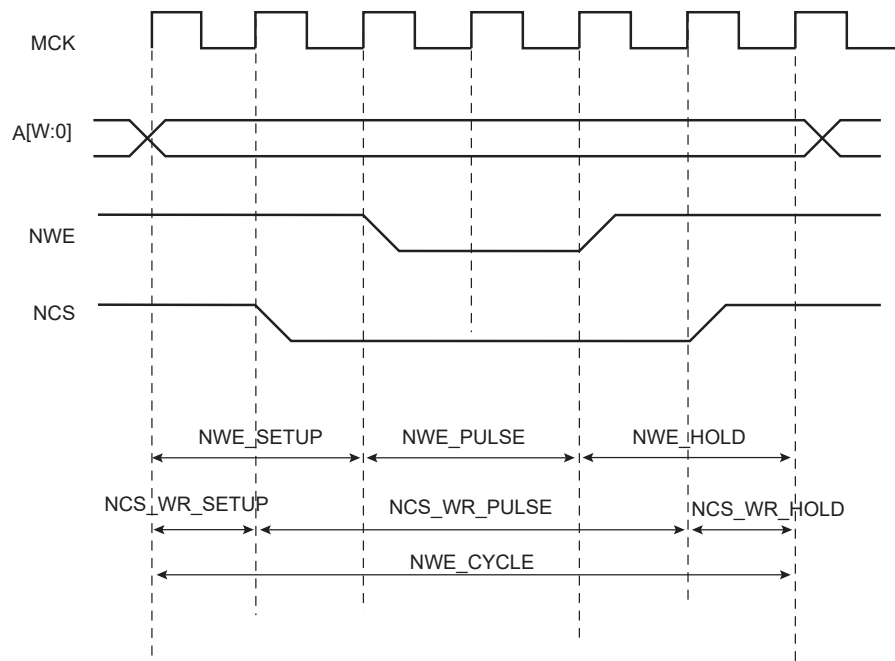
**Figure 32-4.** HSMC\_MODE.READ\_MODE = 0: Data is Sampled by HSMC on the Rising Edge of

### 32.6.6 Write Waveforms

The write protocol is similar to the read protocol. It is depicted in the figure that follows. The write cycle starts with the address being driven on the memory address bus.

- In 8-bit mode, the single access presented below is referenced '1 x WR 8 bits' in this document.

Figure 32-5. Write Cycle



### 32.6.6.1 NWE Waveforms

The NWE signal is characterized by a setup timing, a pulse width and a hold timing.

- **NWE\_SETUP**—the NWE setup time is defined as the setup of address and data before the NWE falling edge;
- **NWE\_PULSE**—the NWE pulse length is the time between NWE falling edge and NWE rising edge;
- **NWE\_HOLD**—the NWE hold time is defined as the hold time of address and data after the NWE rising edge.

### 32.6.6.2 NCS Waveforms

The NCS signal waveforms in write operation are not the same as those applied in read operations, but are separately defined:

- **ncs\_wr\_setup**—The NCS setup time is defined as the setup time of address before the NCS falling edge
- **ncs\_wr\_pulse**—The NCS pulse length is the time between NCS falling edge and NCS rising edge
- **ncs\_wr\_hold**—The NCS hold time is defined as the hold time of address after the NCS rising edge

### 32.6.7 Write Cycle

The write\_cycle time is defined as the total duration of the write cycle; that is, from the time where address is driven on the address bus to the point where address may change. The total write cycle time is defined as:

$$\text{NWE\_CYCLE} = \text{NWE\_SETUP} + \text{NWE\_PULSE} + \text{NWE\_HOLD},$$

as well as

$$\text{NWE\_CYCLE} = \text{NCS\_WR\_SETUP} + \text{NCS\_WR\_PULSE} + \text{NCS\_WR\_HOLD}$$

All NWE and NCS (write) timings are defined separately for each chip select as an integer number of Master Clock cycles. The NWE\_CYCLE field is common to both the NWE and NCS signals, thus the timing period is of the same duration.

NWE\_CYCLE, NWE\_SETUP, and NWE\_PULSE implicitly define the NWE\_HOLD value as:

$$\text{NWE\_HOLD} = \text{NWE\_CYCLE} - \text{NWE\_SETUP} - \text{NWE\_PULSE}$$

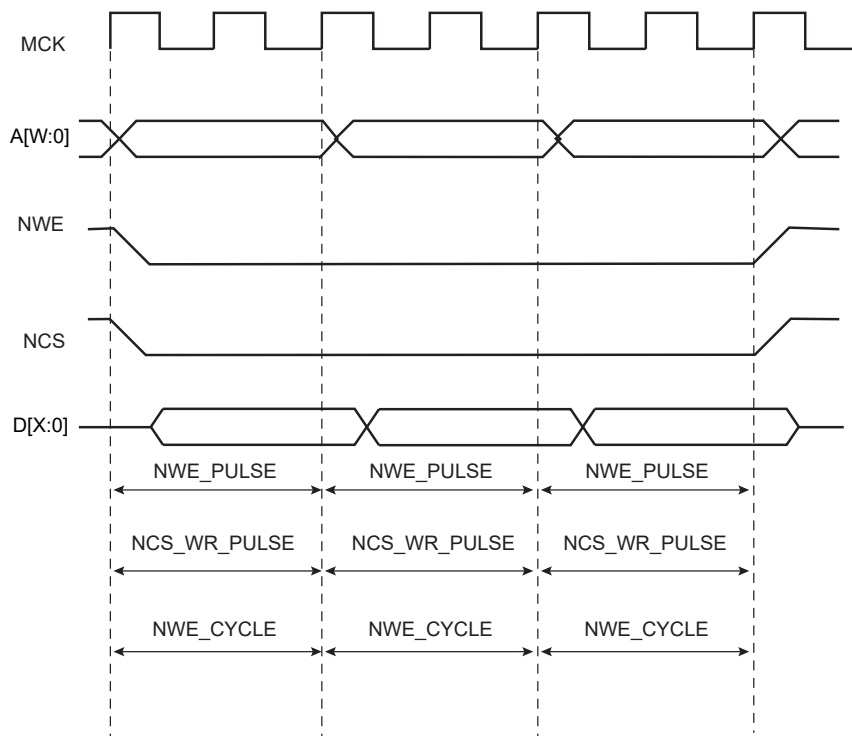
NWE\_CYCLE, NCS\_WR\_SETUP, and NCS\_WR\_PULSE implicitly define the NCS\_WR\_HOLD value as:

$$\text{NCS\_WR\_HOLD} = \text{NWE\_CYCLE} - \text{NCS\_WR\_SETUP} - \text{NCS\_WR\_PULSE}$$

### 32.6.8 Null Delay Setup and Hold

If null setup parameters are programmed for NWE and/or NCS, NWE and/or NCS remain active continuously in case of consecutive write cycles in the same memory (see the following figure). However, for devices that perform write operations on the rising edge of NWE or NCS, either a setup or a hold must be programmed.

**Figure 32-6.** Null Setup and Hold Values of NCS and NWE in Write Cycle



### 32.6.9 Null Pulse

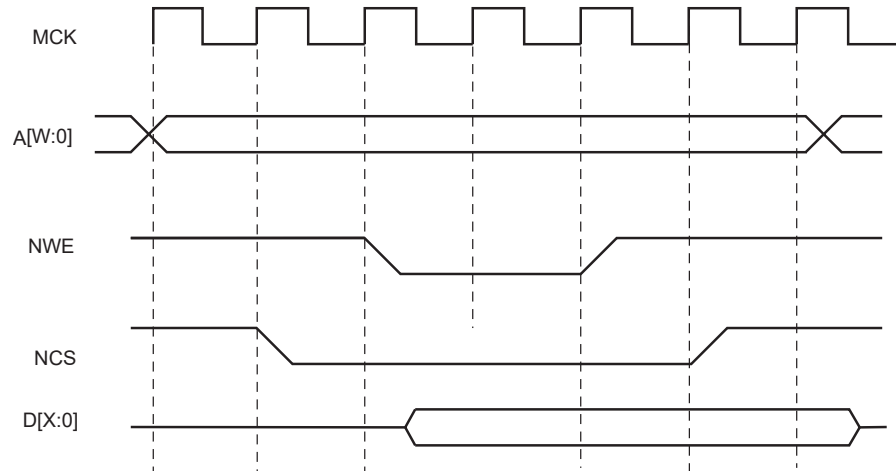
Programming null pulse is not permitted. Pulse must be at least set to 1. A null value leads to unpredictable behavior.

### 32.6.10 Write Mode

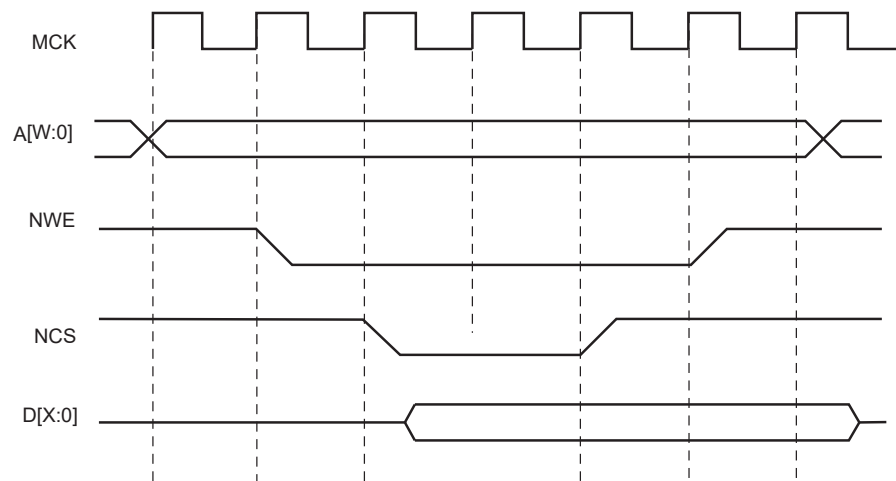
The bit WRITE\_MODE in the HSMC\_MODE register of the corresponding chip select indicates which signal controls the write operation.

#### 32.6.10.1 Write is Controlled by NWE (HSMC.MODE.WRITE\_MODE = 1):

The following figure shows the waveforms of a write operation with HSMC\_MODE.WRITE\_MODE set. The data is put on the bus during the pulse and hold steps of the NWE signal. The internal data buffers are switched to Output mode after the NWE\_SETUP time, and until the end of the write cycle, regardless of the programmed waveform on NCS.

**Figure 32-7.** HSMC\_MODE.WRITE\_MODE = 1. Write Operation is Controlled by NWE**32.6.10.2 Write is Controlled by NCS (HSMC.MODE.WRITE\_MODE = 0)**

The following figure shows the waveforms of a write operation with HSMC\_MODE.WRITE\_MODE cleared. The data is put on the bus during the pulse and hold steps of the NCS signal. The internal data buffers are switched to Output mode after the NCS\_WR\_SETUP time, and until the end of the write cycle, regardless of the programmed waveform on NWE.

**Figure 32-8.** WRITE\_MODE = 0. Write Operation is Controlled by NCS**32.6.11 Read Modify Write (RMW) Waveform**

Instead of writing a specific byte of a word, the user can send request to the processor to perform a Read Modify Write access. It reads the whole 32-bit word, then modifies it, then writes back the whole 32-bit word.

**Note:** RMW (HSMC\_MODE.RMW\_ENABLE) is activated to ensure data integrity when HECC (HECC\_CR.ECC\_ENABLE) is activated.

Therefore, the waveform observed for such an access is the concatenation of [Figure 32-1](#) and [Figure 32-5](#), depending on the bus width and the HECC activation:

- In 8-bit mode, HECC OFF: 4 x RD 8 bits followed by 4 x WR 8 bits.
- In 8-bit mode, HECC ON, Hamming code selected: 4 x RD 8 bits + 1 x RD 8 bits followed by 4 x WR 8 bits + 1 x WR 8 bits.

For more information, see the following, in the [31. Hardened Error Correction Code \(HECC\) Controller](#) section:

- Hamming code, write access
- Hamming code, read access
- BCH code, write access
- BCH code, read access

### 32.7 Register Write Protection

To prevent any single software error that may corrupt HSMC behavior, the registers listed below can be write-protected by setting the WPEN bit in the HSMC Write Protection Mode register (HSMC\_WPMR).

If a write access in a write-protected register is detected, the WPVS flag in the HSMC Write Protection Status register (HSMC\_WPSR) is set and the field WPVSR indicates in which register the write access has been attempted.

The WPVS flag is automatically cleared after reading the HSMC\_WPSR.

The following registers can be write-protected:

- HSMC Setup Register
- HSMC Pulse Register
- HSMC Cycle Register
- HSMC Mode Register

### 32.8 Coding Timing Parameters

All timing parameters are defined for one chip select and are grouped together in one register according to their type.

The HSMC\_SETUP register groups the definition of all setup parameters:

- NRD\_SETUP
- NCS\_RD\_SETUP
- NWE\_SETUP
- NCS\_WR\_SETUP

The HSMC\_PULSE register groups the definition of all pulse parameters:

- NRD\_PULSE
- NCS\_RD\_PULSE
- NWE\_PULSE
- NCS\_WR\_PULSE

The HSMC\_CYCLE register groups the definition of all cycle parameters:

- NRD\_CYCLE
- NWE\_CYCLE

The following table shows how the timing parameters are coded and their permitted range.

**Table 32-1.** Coding and Range of Timing Parameters

Coded Value	Number of Bits	Effective Value	Permitted Range	
			Coded Value	Effective Value
setup [5:0]	6	$128 \times \text{setup}[5] + \text{setup}[4:0]$	$0 \leq 31$	$0 \leq 128+31$
pulse [6:0]	7	$256 \times \text{pulse}[6] + \text{pulse}[5:0]$	$0 \leq 63$	$0 \leq 256+63$



.....continued				
Coded Value	Number of Bits	Effective Value	Permitted Range	
			Coded Value	Effective Value
cycle [8:0]	9	$256 \times \text{cycle}[8:7] + \text{cycle}[6:0]$	$0 \leq 127$	$0 \leq 256+127$ $0 \leq 512+127$ $0 \leq 768+127$

## 32.9 Usage Restriction

**Note:** The HSMC does not check the validity of the user-programmed parameters. If the sum of SETUP and PULSE parameters is larger than the corresponding CYCLE parameter, this leads to unpredictable behavior of the HSMC.

- For read operations:  
Note that the NRD and NCS signals remain subject to naturally device varying I/O propagation delays. In order to ensure that the order of the appearance of the signals on the bus is that desired, non-null SETUP and CYCLE values should be programmed into the corresponding registers. Null values can result in unwanted skew between NRD and NCS signals. At least one set up and one hold shall be programmed.
- For write operations:  
If a null hold value is programmed on NWE, the HSMC can guarantee a positive hold of address and NCS signal after the rising edge of NWE. This is true for HSMC\_MODE.WRITE\_MODE = 1 only.
- For read and write operations:  
A null value for pulse parameters is forbidden and may lead to unpredictable behavior.  
In read and write cycles, the setup and hold time parameters are defined in reference to the address bus. For external devices that require setup and hold time between NCS and NRD signals (read), or between NCS and NWE signals (write), these setup and hold times must be converted into setup and hold times in reference to the address bus.

## 32.10 Read/Write Accesses Use Cases

The HSMC can be configured in 8-bit mode, in order to access different widths of memories, with or without ECC. It is a 32-bit processor, so the following AMBA requests can be received by HSMC that are listed here:

- Write 8-bit (WR\_byte), Write 16-bit (WR\_half\_word), Write 32-bit (WR\_word), Write n x 32-bit (WR\_n\_word)
- Read 8-bit (RD\_byte), Read 16-bit (RD\_half\_word), Read 32-bit (RD\_word), Read n x 32-bit (RD\_n\_word)

Therefore, this implies that different memory accesses are visible on the external memory interface, depending on the AMBA requests and the following options:

- Memory width
- HECC ON/OFF
- RMW ON/OFF

**Note:** HECC ON implies the activation of RMW, to ensure data integrity.

In the following sections, (//) means that the data are sent in parallel synchronously whereas (+) means that checksum are sent after data with additional cycles.

### 32.10.1 8-bit Mode

#### 32.10.1.1 HECC Protection Deactivated

The table below sums up the different accesses on external memory interface, depending on the AMBA requests received, when the 8-bit mode is selected and HECC protection is deactivated.

**Table 32-2.** Memory Access – 8-bit mode – HECC OFF

AMBA request	HSMC[8-bit] [HECC OFF] [RMW OFF]	HSMC[8-bit] [HECC OFF] [RMW ON]
RD_byte	1 x RD 8 bits	1 x RD 8 bits
WR_byte	1 x WR 8 bits	RMW <sup>(1)</sup>
RD_half_word	2 x RD 8 bits	2 x RD 8 bits
WR_half_word	2 x WR 8 bits <sup>(1)</sup>	RMW <sup>(1)</sup>
RD_word	4 x RD 8 bits	4 x RD 8 bits
WR_word	4 x WR 8 bits	4 x WR 8 bits
RD_n_word	n x [4 x RD 8 bits]	n x [4 x RD 8 bits]
WR_n_word	n x [4 x WR 8 bits]	n x [4 x WR 8 bits]

**Note:**

- (RMW)=(4x RD 8 bits) then (4x WR 8 bits).

**32.10.1.2 HECC Protection Activated**

The following table sums up the different accesses on external memory interface, depending on the AMBA requests received, when 8-bit mode is selected and the HECC protection is activated.

The following table presents different ECC codes, but refer to the [31. Hardened Error Correction Code \(HECC\) Controller](#) section to verify which ECC codes are applied on the product.

**Table 32-3.** Memory Access – 8-bit mode – HECC ON

AMBA request	HSMC[8-bit] [HECC ON – Hamming] [RMW ON] [data][sequence][checksum]	HSMC[8-bit] [HECC ON – BCH] [RMW ON] [data][sequence][checksum]
RD_byte	(4 x RD 8 bits) (+) (1x RD 8 bits) <sup>(1)</sup>	(4 x RD 8 bits) (+) (2x RD 8 bits) <sup>(1)</sup>
RD_half_word		
WR_byte	RMW_ECCON8 <sup>(2)</sup>	RMW_ECCON16 <sup>(3)</sup>
WR_half_word		
RD_word	(4 x RD 8 bits) (+) (1x RD 8 bits) <sup>(1)</sup>	(4 x RD 8 bits) (+) (2x RD 8 bits) <sup>(1)</sup>
WR_word	(4 x WR 8 bits) (+) (1x WR 8 bits) <sup>(1)</sup>	(4 x WR 8 bits) (+) (2x WR 8 bits) <sup>(1)</sup>
RD_n_word	n x [(4 x RD 8 bits) (+) (1 x RD 8 bits)] <sup>(1)</sup>	n x [(4 x RD 8 bits) (+) (2 x RD 8 bits)] <sup>(1)</sup>
WR_n_word	n x [(4 x WR 8 bits) (+) (1 x WR 8 bits)] <sup>(1)</sup>	n x [(4 x WR 8 bits) (+) (2 x WR 8 bits)] <sup>(1)</sup>

**Notes:**

- The NCS and the control signals are not rising between the consecutive RD 8 bits (or WR 8 bits) access.
- (RMW\_HECCON8)= [(4 x RD 8 bits) (+) (1x RD 8 bits) then [(4 x WR 8 bits) (+) (1 x WR 8 bits)].
- (RMW\_HECCON16)= [(4 x RD 8 bits) (+) (2 x RD 8 bits) then [(4 x WR 8 bits) (+) (2 x WR 8 bits)].

**32.11 Automatic Wait States**

Under certain circumstances, the HSMC automatically inserts idle cycles between accesses to avoid bus contention or operation conflict.

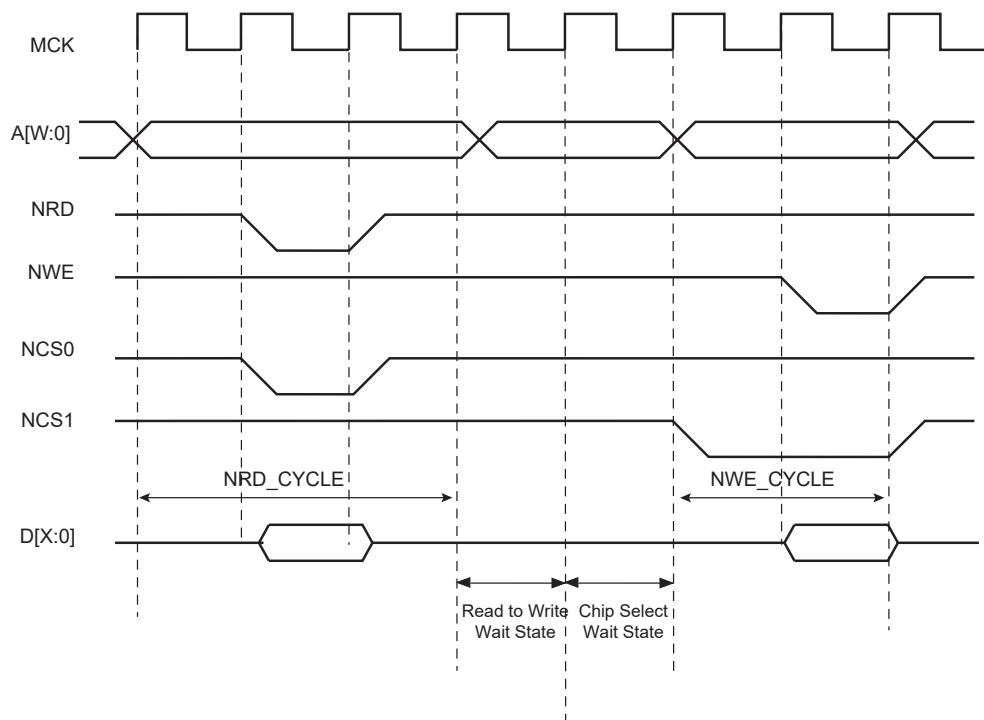
### 32.11.1 Chip Select Wait States

The HSMC always inserts an idle cycle between two transfers on separate Chip Selects. This idle cycle ensures that there is no bus contention between the deactivation of one device and the activation of the next one.

During Chip Select Wait state, all control lines are turned inactive: NWR, NCSx, NRD lines are all set to 1.

The following figure illustrates a Chip Select Wait state between access on Chip Select 0 and Chip Select 1.

**Figure 32-9.** Chip Select Wait State between a Read Access on NCS0 and a Write Access on NCS1



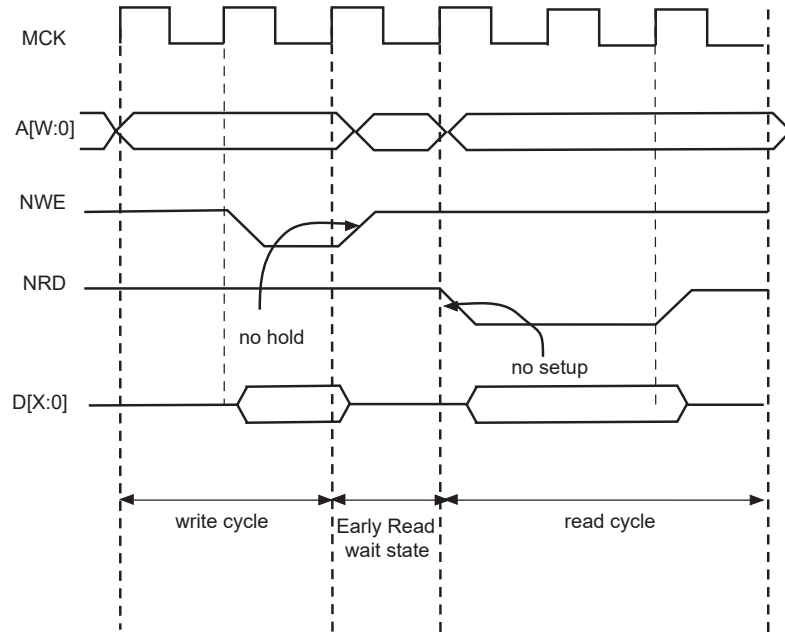
### 32.11.2 Early Read Wait State

In some cases, the HSMC inserts a wait state cycle between a write access and a read access to allow time for the write cycle to end before the subsequent read cycle begins. This wait state is not generated in addition to a chip select wait state. The early read cycle thus only occurs between a write and read access to the same memory device (same chip select).

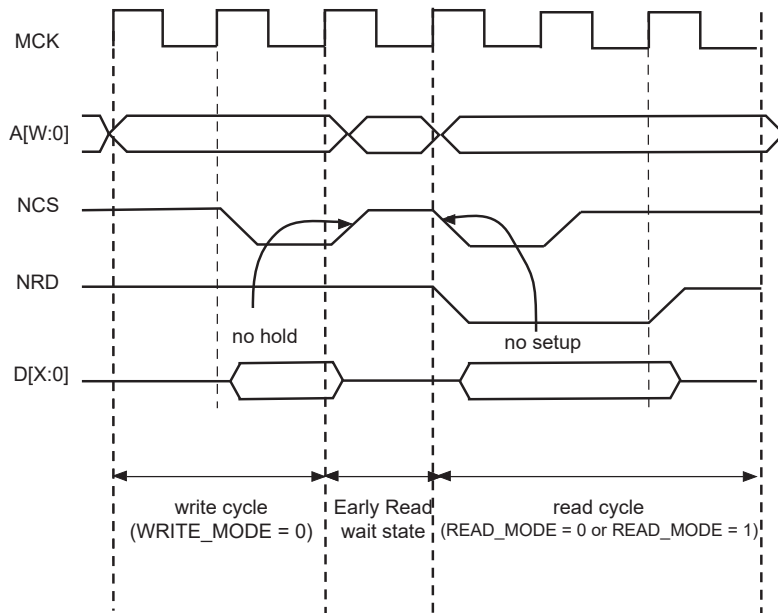
An early read wait state is automatically inserted if at least one of the following conditions is valid:

- if the write controlling signal has no hold time and the read controlling signal has no setup time (Figure 32-10).
- in NCS Write controlled mode (HSMC\_MODE.WRITE\_MODE = 0), if there is no hold timing on the NCS signal and the NCS\_RD\_SETUP parameter is set to 0, regardless of the Read mode (Figure 32-11). The write operation must end with a NCS rising edge. Without an Early Read Wait State, the write operation could not complete properly.
- in NWE controlled mode (HSMC\_MODE.WRITE\_MODE = 1) and if there is no hold timing (NWE\_HOLD = 0), the feedback of the write control signal is used to control address, data, and chip select lines. If the external write control signal is not inactivated as expected due to load capacitances, an Early Read Wait State is inserted and address, data and control signals are maintained one more cycle. See Figure 32-12.

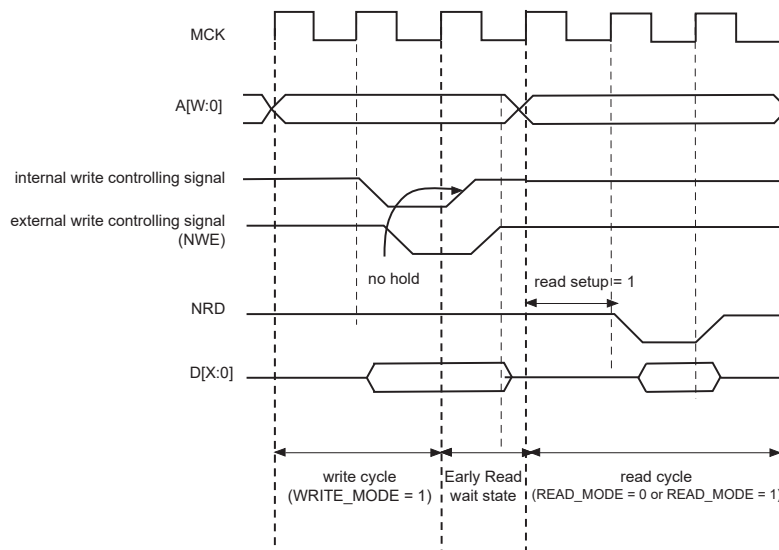
**Figure 32-10.** Early Read Wait State: Write with No Hold Followed by Read with No Setup



**Figure 32-11.** Early Read Wait State: NCS-controlled write with no hold followed by a read with no NCS setup



**Figure 32-12.** Early Read Wait State: NWE-controlled write with no hold followed by a read with one set-up cycle



### 32.11.3 Reload User Configuration Wait State

The user may change any of the configuration parameters by writing the HSMC user interface.

When detecting that a new user configuration has been written in the user interface, the HSMC inserts a wait state before starting the next access. This “reload user configuration wait state” is used by the HSMC to load the new set of parameters to apply to next accesses.

The reload configuration wait state is not applied in addition to the chip select wait state. If accesses before and after re-programming the user interface are made to different devices (chip selects), then one single chip select wait state is applied.

On the other hand, if accesses before and after writing the user interface are made to the same device, a reload configuration wait state is inserted, even if the change does not concern the current chip select.

#### 32.11.3.1 User Procedure

To insert a reload configuration wait state, the HSMC detects a write access to any HSMC\_MODE register of the user interface. If the user only modifies timing registers (HSMC\_SETUP, HSMC\_PULSE, HSMC\_CYCLE registers) in the user interface, he must validate the modification by writing the HSMC\_MODE, even if no change was made on the mode parameters.

The user must not change the configuration parameters of an HSMC chip select (Setup, Pulse, Cycle, Mode) if accesses are performed on this CS during the modification. Any change of the chip select parameters, while fetching the code from a memory connected on this CS, may lead to unpredictable behavior. The instructions used to modify the parameters of an HSMC chip select can be executed from the internal RAM or from a memory connected to another CS.

### 32.11.4 Read to Write Wait State

Due to an internal mechanism, a wait cycle is always inserted between consecutive read and write HSMC accesses.

This wait cycle is referred to as a read to write wait state in this document.

This wait cycle is applied in addition to chip select and reload user configuration wait states when they are to be inserted. See [Figure 32-9](#).

## 32.12 External Wait

Any access can be extended by an external device using the NWAIT input signal of the HSMC. The HSMC\_MODE.EXNW\_MODE field on the corresponding chip select must be set to either “10” (Frozen mode) or “11” (Ready mode). When HSMC\_MODE.EXNW\_MODE is set to “00” (disabled), the NWAIT signal is simply ignored on the corresponding chip select. The NWAIT signal delays the read or write operation in regards to the read or write controlling signal, depending on the Read and Write modes of the corresponding chip select.

### 32.12.1 Restriction

**Important:**

When HSMC\_MODE.EXNW\_MODE is enabled, it is mandatory to program at least one hold cycle for the read/write controlling signal.

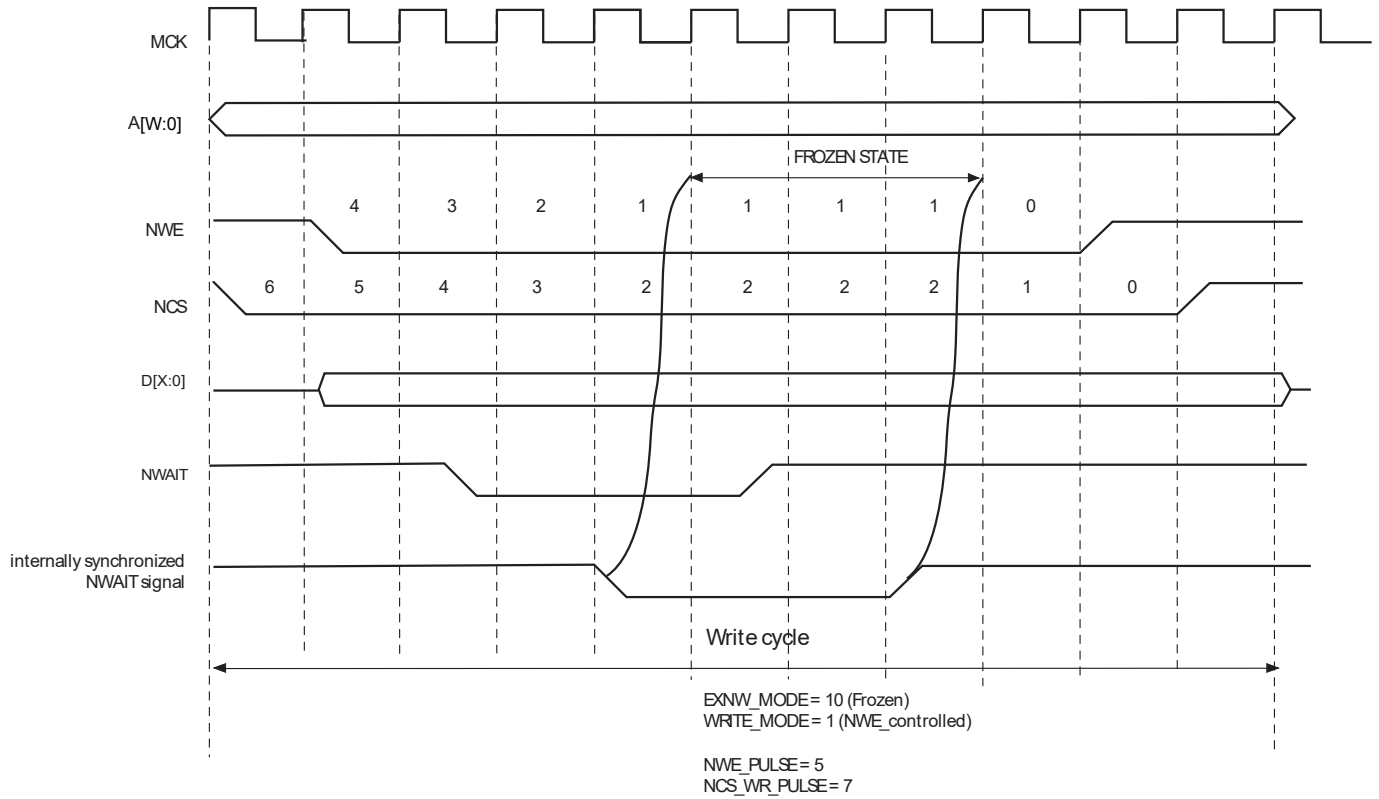
The NWAIT signal is assumed to be a response of the external device to the read/write request of the HSMC. Then NWAIT is examined by the HSMC only in the pulse state of the read or write controlling signal. The assertion of the NWAIT signal outside the expected period has no impact on HSMC behavior.

### 32.12.2 Frozen Mode

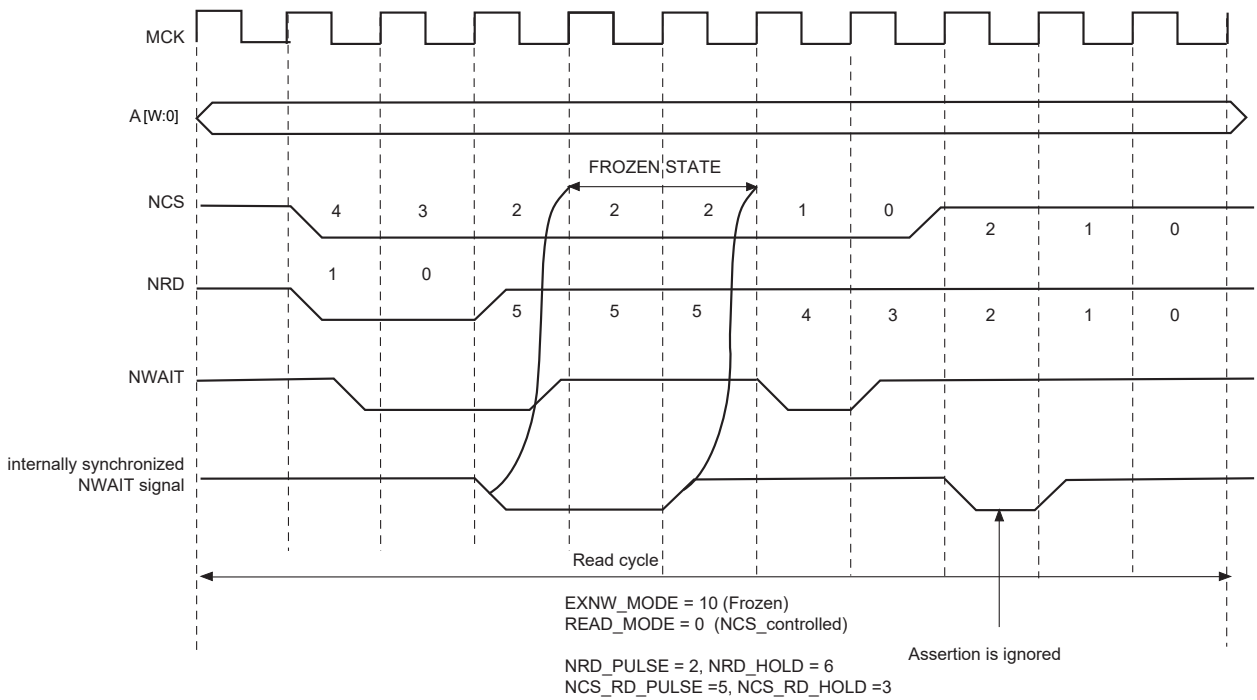
When the external device asserts the NWAIT signal (active low), and after internal synchronization of this signal, the HSMC state is frozen, i.e., HSMC internal counters are frozen, and all control signals remain unchanged. When the resynchronized NWAIT signal is deasserted, the HSMC completes the access, resuming the access from the point where it was stopped. See [Figure 32-13](#). This mode must be selected when the external device uses the NWAIT signal to delay the access and to freeze the HSMC.

The assertion of the NWAIT signal outside the expected period is ignored as illustrated in [Figure 32-14](#).

**Figure 32-13.** Write Access with NWAIT Assertion in Frozen Mode (HSMC\_MODE.EXNW\_MODE = 10)



**Figure 32-14.** Read Access with NWAIT Assertion in Frozen Mode (HSMC\_MODE.EXNW\_MODE = 10)



### 32.12.3 Ready Mode

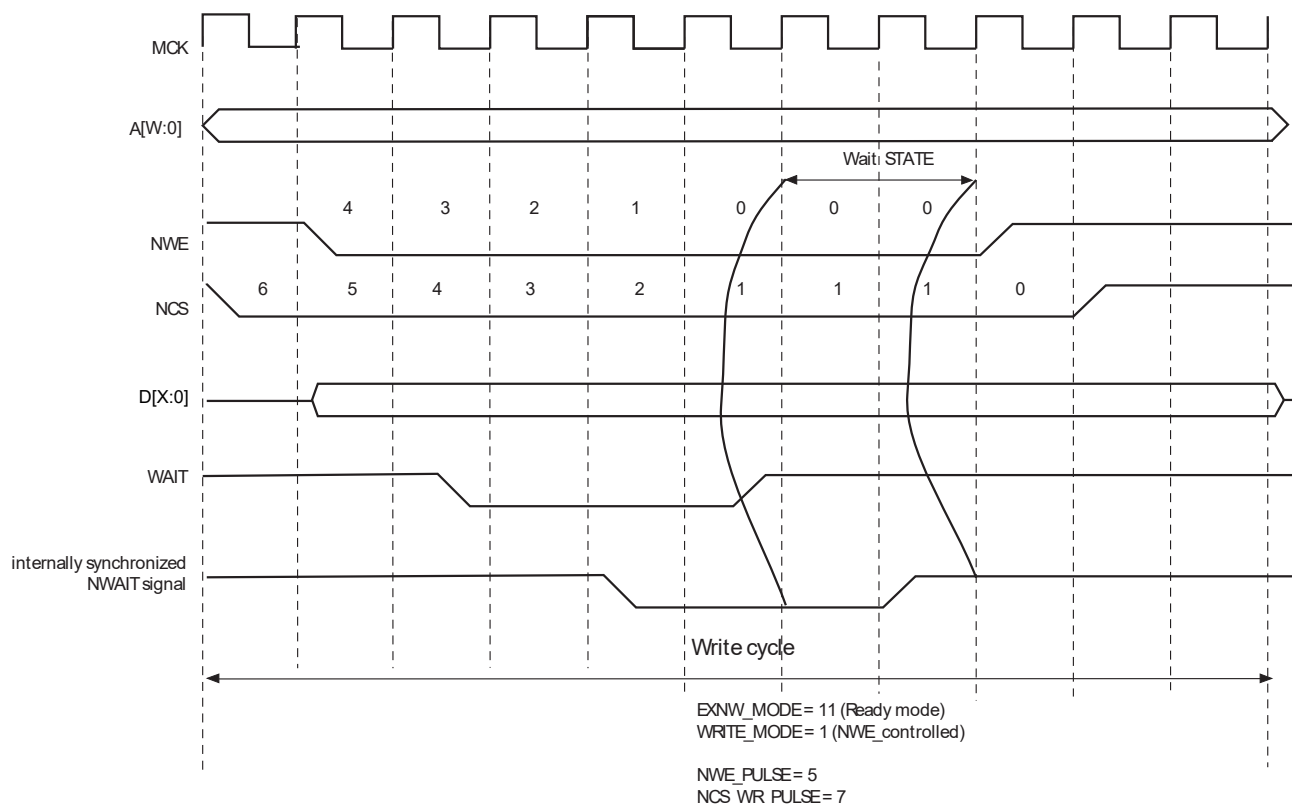
In Ready mode (HSMC\_MODE.EXNW\_MODE = 11), the HSMC behaves as follows. Normally, the HSMC begins the access by down counting the setup and pulse counters of the read/write controlling signal. In the last cycle of the pulse phase, the resynchronized NWAIT signal is examined.

If asserted, the HSMC suspends the access as shown in the figures below. After deassertion, the access is completed: the hold step of the access is performed.

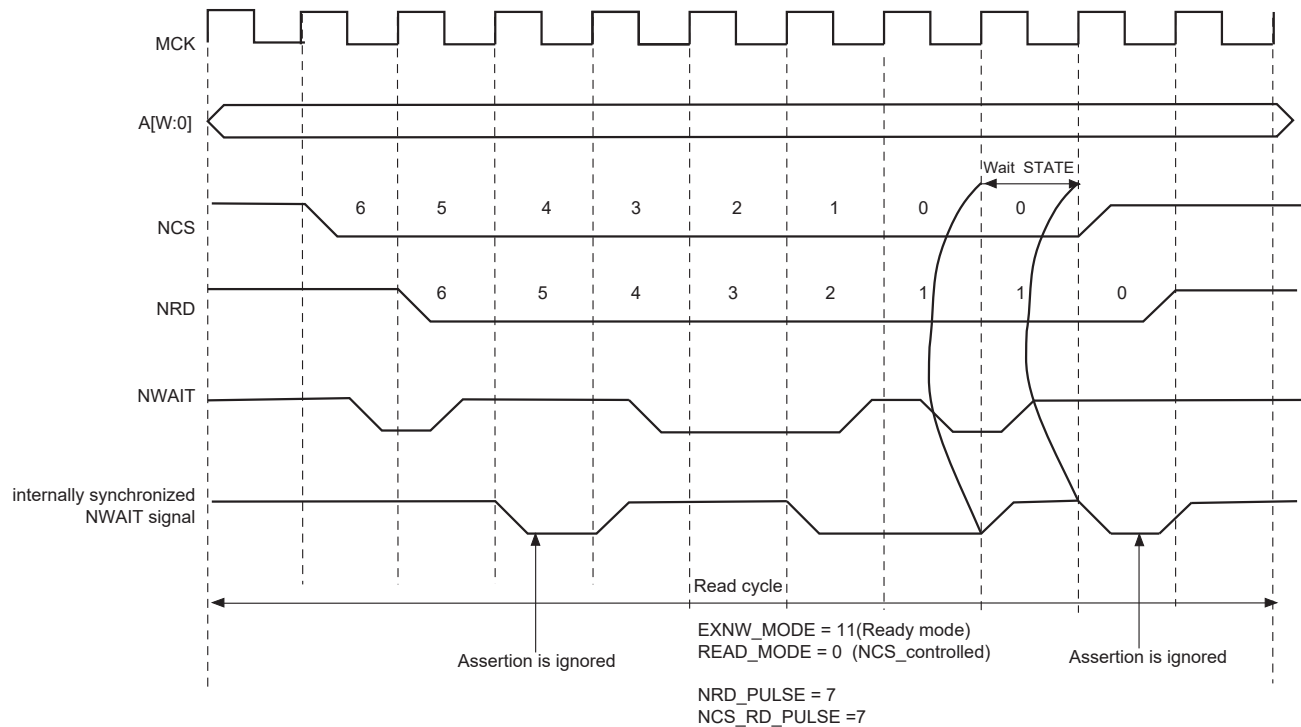
This mode must be selected when the external device uses deassertion of the NWAIT signal to indicate its ability to complete the read or write operation.

If the NWAIT signal is deasserted before the end of the pulse, or asserted after the end of the pulse of the controlling read/write signal, it has no impact on the access length as shown in [Figure 32-16](#).

**Figure 32-15.** NWAIT Assertion in Write Access: Ready Mode (HSMC\_MODE.EXNW\_MODE = 11)





**Figure 32-16.** NWAIT Assertion in Read Access: Ready Mode (HSMC\_MODE.EXNW\_MODE = 11)

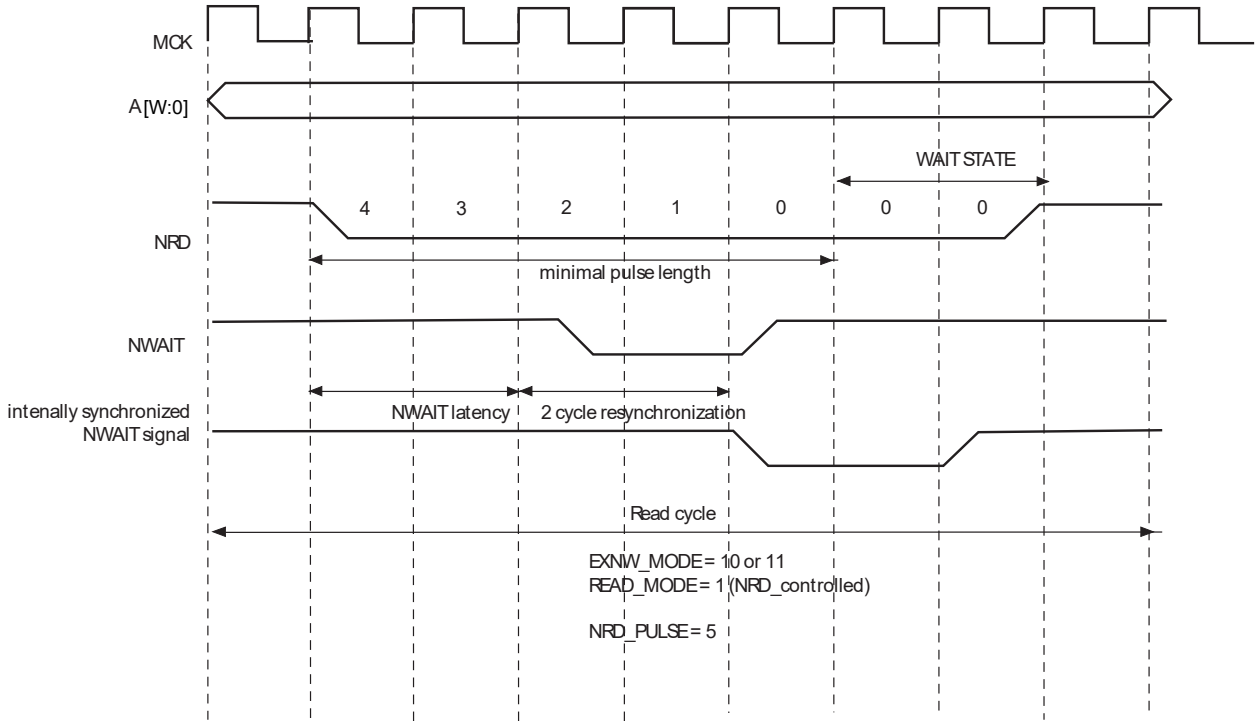
#### 32.12.4 NWAIT Latency and Read/Write Timings

There may be a latency between the assertion of the read/write controlling signal and the assertion of the NWAIT signal by the device. The programmed pulse length of the read/write controlling signal must be at least equal to this latency plus the 2 cycles of resynchronization + one cycle. Otherwise, the HSMC may enter the hold state of the access without detecting the NWAIT signal assertion. This is true in Frozen mode as well as in Ready mode. This is illustrated in the following figure.

When HSMC\_MODE.EXNW\_MODE is enabled (ready or frozen), the user must program a pulse length of the read and write controlling signal of at least:

Minimal pulse length = NWAIT latency + 2 resynchronization cycles + 1 cycle

Figure 32-17. NWAIT Latency



## 32.13 Register Summary

Offset	Name	Bit Pos.	7	6	5	4	3	2	1	0
0x00	HSMC_SETUP0	7:0			NWE_SETUP[5:0]					
		15:8			NCS_WR_SETUP[5:0]					
		23:16			NRD_SETUP[5:0]					
		31:24			NCS_RD_SETUP[5:0]					
0x04	HSMC_PULSE0	7:0			NWE_PULSE[6:0]					
		15:8			NCS_WR_PULSE[6:0]					
		23:16			NRD_PULSE[6:0]					
		31:24			NCS_RD_PULSE[6:0]					
0x08	HSMC_CYCLE0	7:0			NWE_CYCLE[7:0]					
		15:8			NWE_CYCLE[8]					
		23:16			NRD_CYCLE[7:0]					
		31:24			NRD_CYCLE[8]					
0x0C	HSMC_MODE0	7:0			EXNW_MODE[1:0]			RMW_ENABLE	WRITE_MODE	READ_MODE
		15:8			DBW[1:0]					
		23:16								
		31:24								
0x10	HSMC_SETUP1	7:0			NWE_SETUP[5:0]					
		15:8			NCS_WR_SETUP[5:0]					
		23:16			NRD_SETUP[5:0]					
		31:24			NCS_RD_SETUP[5:0]					
0x14	HSMC_PULSE1	7:0			NWE_PULSE[6:0]					
		15:8			NCS_WR_PULSE[6:0]					
		23:16			NRD_PULSE[6:0]					
		31:24			NCS_RD_PULSE[6:0]					
0x18	HSMC_CYCLE1	7:0			NWE_CYCLE[7:0]					
		15:8			NWE_CYCLE[8]					
		23:16			NRD_CYCLE[7:0]					
		31:24			NRD_CYCLE[8]					
0x1C	HSMC_MODE1	7:0			EXNW_MODE[1:0]			RMW_ENABLE	WRITE_MODE	READ_MODE
		15:8			DBW[1:0]					
		23:16								
		31:24								
0x20 ... 0x6F	Reserved									
0x70	HSMC_WPMR	7:0			WPEN					
		15:8			WPKEY[7:0]					
		23:16			WPKEY[15:8]					
		31:24			WPKEY[23:16]					
0x74	HSMC_WPSR	7:0			WPVS					
		15:8			WPVSR[7:0]					
		23:16			WPVSR[15:8]					
		31:24								

### 32.13.1 HSMC Setup Register n

**Name:** HSMC\_SETUPn  
**Offset:** 0x00 + n\*0x10 [n=0..1]  
**Reset:** 0x02010102  
**Property:** Read/Write

This register can only be written if the WPEN bit is cleared in the [32.13.5. HSMC\\_WPMR](#).

Bit	31	30	29	28	27	26	25	24
			NCS_RD_SETUP[5:0]					
Access			R/W	R/W	R/W	R/W	R/W	R/W
Reset			0	0	0	0	1	0
Bit	23	22	21	20	19	18	17	16
			NRD_SETUP[5:0]					
Access			R/W	R/W	R/W	R/W	R/W	R/W
Reset			0	0	0	0	0	1
Bit	15	14	13	12	11	10	9	8
			NCS_WR_SETUP[5:0]					
Access			R/W	R/W	R/W	R/W	R/W	R/W
Reset			0	0	0	0	0	1
Bit	7	6	5	4	3	2	1	0
			NWE_SETUP[5:0]					
Access			R/W	R/W	R/W	R/W	R/W	R/W
Reset			0	0	0	0	1	0

#### Bits 29:24 – NCS\_RD\_SETUP[5:0] NCS Setup Length in READ Access

In read access, the NCS signal setup length is defined as:

$$\text{NCS setup length} = (128 * \text{NCS\_RD\_SETUP}[5] + \text{NCS\_RD\_SETUP}[4:0]) \text{ clock cycles}$$

#### Bits 21:16 – NRD\_SETUP[5:0] NRD Setup Length

The NRD signal setup length is defined in clock cycles as:

$$\text{NRD setup length} = (128 * \text{NRD\_SETUP}[5] + \text{NRD\_SETUP}[4:0]) \text{ clock cycles}$$

#### Bits 13:8 – NCS\_WR\_SETUP[5:0] NCS Setup Length in WRITE Access

In write access, the NCS signal setup length is defined as:

$$\text{NCS setup length} = (128 * \text{NCS\_WR\_SETUP}[5] + \text{NCS\_WR\_SETUP}[4:0]) \text{ clock cycles}$$

#### Bits 5:0 – NWE\_SETUP[5:0] NWE Setup Length

The NWE signal setup length is defined as:

$$\text{NWE setup length} = (128 * \text{NWE\_SETUP}[5] + \text{NWE\_SETUP}[4:0]) \text{ clock cycles}$$

### 32.13.2 HSMC Pulse Register n

**Name:** HSMC\_PULSEn  
**Offset:** 0x04 + n\*0x10 [n=0..1]  
**Reset:** 0x2C2E2E2C  
**Property:** Read/Write

This register can only be written if the WPEN bit is cleared in the [32.13.5. HSMC\\_WPMR](#).

Bit	31	30	29	28	27	26	25	24
	NCS_RD_PULSE[6:0]							
Access		R/W	R/W	R/W	R/W	R/W	R/W	R/W
Reset		0	1	0	1	1	0	0
Bit	23	22	21	20	19	18	17	16
	NRD_PULSE[6:0]							
Access		R/W	R/W	R/W	R/W	R/W	R/W	R/W
Reset		0	1	0	1	1	1	0
Bit	15	14	13	12	11	10	9	8
	NCS_WR_PULSE[6:0]							
Access		R/W	R/W	R/W	R/W	R/W	R/W	R/W
Reset		0	1	0	1	1	1	0
Bit	7	6	5	4	3	2	1	0
	NWE_PULSE[6:0]							
Access		R/W	R/W	R/W	R/W	R/W	R/W	R/W
Reset		0	1	0	1	1	0	0

#### Bits 30:24 – NCS\_RD\_PULSE[6:0] NCS Pulse Length in READ Access

In standard read access, the NCS signal pulse length is defined as:

$$\text{NCS pulse length} = (256 * \text{NCS\_RD\_PULSE}[6] + \text{NCS\_RD\_PULSE}[5:0]) \text{ clock cycles}$$

The NCS pulse length must be at least 1 clock cycle.

In Page mode read access, the NCS\_RD\_PULSE parameter defines the duration of the first access to one page.

#### Bits 22:16 – NRD\_PULSE[6:0] NRD Pulse Length

In standard read access, the NRD signal pulse length is defined in clock cycles as:

$$\text{NRD pulse length} = (256 * \text{NRD\_PULSE}[6] + \text{NRD\_PULSE}[5:0]) \text{ clock cycles}$$

The NRD pulse length must be at least 1 clock cycle.

In Page mode read access, the NRD\_PULSE parameter defines the duration of the subsequent accesses in the page.

#### Bits 14:8 – NCS\_WR\_PULSE[6:0] NCS Pulse Length in WRITE Access

In write access, the NCS signal pulse length is defined as:

$$\text{NCS pulse length} = (256 * \text{NCS\_WR\_PULSE}[6] + \text{NCS\_WR\_PULSE}[5:0]) \text{ clock cycles}$$

The NCS pulse length must be at least 1 clock cycle.

#### Bits 6:0 – NWE\_PULSE[6:0] NWE Pulse Length

The NWE signal pulse length is defined as:

$$\text{NWE pulse length} = (256 * \text{NWE\_PULSE}[6] + \text{NWE\_PULSE}[5:0]) \text{ clock cycles}$$

The NWE pulse length must be at least 1 clock cycle.

### 32.13.3 HSMC Cycle Register n

**Name:** HSMC\_CYCLEn  
**Offset:** 0x08 + n\*0x10 [n=0..1]  
**Reset:** 0x00300030  
**Property:** Read/Write

This register can only be written if the WPEN bit is cleared in the [32.13.5. HSMC\\_WPMR](#).

Bit	31	30	29	28	27	26	25	24
								NRD_CYCLE[8]
Access								R/W
Reset								0
Bit	23	22	21	20	19	18	17	16
	NRD_CYCLE[7:0]							
Access	R/W	R/W	R/W	R/W	R/W	R/W	R/W	R/W
Reset	0	0	1	1	0	0	0	0
Bit	15	14	13	12	11	10	9	8
								NWE_CYCLE[8]
Access								R/W
Reset								0
Bit	7	6	5	4	3	2	1	0
	NWE_CYCLE[7:0]							
Access	R/W	R/W	R/W	R/W	R/W	R/W	R/W	R/W
Reset	0	0	1	1	0	0	0	0

#### Bits 24:16 – NRD\_CYCLE[8:0] Total Read Cycle Length

The total read cycle length is the total duration in clock cycles of the read cycle. It is equal to the sum of the setup, pulse and hold steps of the NRD and NCS signals. It is defined as:

Read cycle length = (NRD\_CYCLE[8:7]\*256 + NRD\_CYCLE[6:0]) clock cycles

#### Bits 8:0 – NWE\_CYCLE[8:0] Total Write Cycle Length

The total write cycle length is the total duration in clock cycles of the write cycle. It is equal to the sum of the setup, pulse and hold steps of the NWE and NCS signals. It is defined as:

Write cycle length = (NWE\_CYCLE[8:7]\*256 + NWE\_CYCLE[6:0]) clock cycles

### 32.13.4 HSMC Mode Register n

**Name:** HSMC\_MODEn  
**Offset:** 0x0C + n\*0x10 [n=0..1]  
**Reset:** 0x00000002  
**Property:** Read/Write

This register can only be written if the WPEN bit is cleared in the [32.13.5. HSMC\\_WPMR](#).

The user must confirm the HSMC configuration by writing any one of the HSMC\_MODE registers.

Bit	31	30	29	28	27	26	25	24
Access								
Reset								
Bit	23	22	21	20	19	18	17	16
Access								
Reset								
Bit	15	14	13	12	11	10	9	8
Access							DBW[1:0]	
Reset							R/W	R/W
							0	0
Bit	7	6	5	4	3	2	1	0
Access			EXNW_MODE[1:0]			RMW_ENABL	WRITE_MODE	READ_MODE
Reset			R/W	R/W		R/W	R/W	R/W
			0	0		0	1	0

#### Bits 9:8 – DBW[1:0] Data Bus Width

Value	Name	Description
0	8_BIT	8-bit data bus
1	Reserved	Reserved
2	Reserved	Reserved
3	Reserved	Reserved

#### Bits 5:4 – EXNW\_MODE[1:0] NWAIT Mode

The NWAIT signal is used to extend the current read or write signal. It is only taken into account during the pulse phase of the read and write controlling signal. When the use of NWAIT is enabled, at least one cycle hold duration must be programmed for the read and write controlling signal.

Value	Name	Description
0	DISABLED	Disabled–The NWAIT input signal is ignored on the corresponding chip select.
1	–	Reserved
2	FROZEN	Frozen Mode–If asserted, the NWAIT signal freezes the current read or write cycle. After deassertion, the read/write cycle is resumed from the point where it was stopped.
3	READY	Ready Mode–The NWAIT signal indicates the availability of the external device at the end of the pulse of the controlling read or write signal, to complete the access. If high, the access normally completes. If low, the access is extended until NWAIT returns high.

#### Bit 2 – RMW\_ENABLE Read Modify Write Enable

**Note:** RMW must be enabled when the HECC is enabled.

Value	Description
0	Read Modify Write is disabled.
1	Read Modify Write is enabled.

**Bit 1 - WRITE\_MODE** Write Mode

Value	Description
0	The write operation is controlled by the NCS signal.
1	The write operation is controlled by the NWE signal.

**Bit 0 - READ\_MODE** Read Mode

Value	Description
0	The read operation is controlled by the NCS signal.
1	The read operation is controlled by the NRD signal.



### 32.13.5 HSMC Write Protection Mode Register

**Name:** HSMC\_WPMR  
**Offset:** 0x70  
**Reset:** 0x00000000  
**Property:** Read/Write

Bit	31	30	29	28	27	26	25	24
	WPKEY[23:16]							
Access	W	W	W	W	W	W	W	W
Reset	0	0	0	0	0	0	0	0
Bit	23	22	21	20	19	18	17	16
	WPKEY[15:8]							
Access	W	W	W	W	W	W	W	W
Reset	0	0	0	0	0	0	0	0
Bit	15	14	13	12	11	10	9	8
	WPKEY[7:0]							
Access	W	W	W	W	W	W	W	W
Reset	0	0	0	0	0	0	0	0
Bit	7	6	5	4	3	2	1	0
								WPEN
Access								R/W
Reset								0

#### Bits 31:8 – WPKEY[23:0] Write Protection Key

Value	Name	Description
0x534D43	PASSWD	Writing any other value in this field aborts the write operation of the WPEN bit. Always reads as 0.

#### Bit 0 – WPEN Write Protect Enable

See [32.7. Register Write Protection](#) for the list of registers that can be write-protected.

Value	Description
0	Disables the write protection if WPKEY corresponds to 0x534D43 ("SMC" in ASCII).
1	Enables the write protection if WPKEY corresponds to 0x534D43 ("SMC" in ASCII).

### 32.13.6 HSMC Write Protection Status Register

**Name:** HSMC\_WPSR  
**Offset:** 0x74  
**Reset:** 0x00000000  
**Property:** Read-only

**Note:** This register is cleared on read.

Bit	31	30	29	28	27	26	25	24
Access								
Reset								
Bit	23	22	21	20	19	18	17	16
Access	WPVSR[15:8]							
Reset	0	0	0	0	0	0	0	0
Bit	15	14	13	12	11	10	9	8
Access	WPVSR[7:0]							
Reset	0	0	0	0	0	0	0	0
Bit	7	6	5	4	3	2	1	0
Access								WPVS
Reset								0

#### Bits 23:8 – WPVSR[15:0] Write Protection Violation Source

When WPVS = 1, WPVSR indicates the register address offset at which a write access has been attempted.

#### Bit 0 – WPVS Write Protection Violation Status

Value	Description
0	No write protection violation has occurred since the last read of the HSMC_WPSR register.
1	A write protection violation has occurred since the last read of the HSMC_WPSR register. If this violation is an unauthorized attempt to write a protected register, the associated violation is reported into field WPVSR.

## **33. Special Function Registers (SFR)**

### **33.1 Description**

Special Function Registers (SFR) manage specific aspects of the functionality not controlled elsewhere.

### **33.2 Embedded Characteristics**

- 32-bit Special Function Registers control specific behavior of the product

### 33.3 Register Summary

Offset	Name	Bit Pos.	7	6	5	4	3	2	1	0	
0x00	SFR_ROMCODE_DBG0	7:0					ROM_CODE_DEBUG[7:0]				
		15:8					ROM_CODE_DEBUG[15:8]				
		23:16					ROM_CODE_DEBUG[23:16]				
		31:24					ROM_CODE_DEBUG[31:24]				
...											
0x9C	SFR_ROMCODE_DBG39	7:0					ROM_CODE_DEBUG[7:0]				
		15:8					ROM_CODE_DEBUG[15:8]				
		23:16					ROM_CODE_DEBUG[23:16]				
		31:24					ROM_CODE_DEBUG[31:24]				
0xA0	SFR_CAN0	7:0									
		15:8									
		23:16					EXT_MEM_ADDR[7:0]				
		31:24					EXT_MEM_ADDR[15:8]				
0xA4	SFR_CAN1	7:0									
		15:8									
		23:16					EXT_MEM_ADDR[7:0]				
		31:24					EXT_MEM_ADDR[15:8]				
0xA8	Reserved										
...											
0xAF											
0xB0	SFR_BOOT_CFG	7:0									
		15:8									
		23:16									
		31:24									
0xB4	Reserved										
...											
0xE3											
0xE4	SFR_WPMR	7:0									
		15:8					WPKEY[7:0]				
		23:16					WPKEY[15:8]				
		31:24					WPKEY[23:16]				
										WPEN	

### 33.3.1 ROM CODE DEBUG Register

**Name:** SFR\_ROMCODE\_DBGx  
**Offset:** 0x00 + x\*0x04 [x=0..39]  
**Reset:** 0x00000000  
**Property:** Read/Write

Bit	31	30	29	28	27	26	25	24
	ROM_CODE_DEBUG[31:24]							
Access	R/W	R/W	R/W	R/W	R/W	R/W	R/W	R/W
Reset	0	0	0	0	0	0	0	0
Bit	23	22	21	20	19	18	17	16
	ROM_CODE_DEBUG[23:16]							
Access	R/W	R/W	R/W	R/W	R/W	R/W	R/W	R/W
Reset	0	0	0	0	0	0	0	0
Bit	15	14	13	12	11	10	9	8
	ROM_CODE_DEBUG[15:8]							
Access	R/W	R/W	R/W	R/W	R/W	R/W	R/W	R/W
Reset	0	0	0	0	0	0	0	0
Bit	7	6	5	4	3	2	1	0
	ROM_CODE_DEBUG[7:0]							
Access	R/W	R/W	R/W	R/W	R/W	R/W	R/W	R/W
Reset	0	0	0	0	0	0	0	0

**Bits 31:0 – ROM\_CODE\_DEBUG[31:0]** Rom code debug step  
 Indicate the current step of the ROM debug bootloader.

### 33.3.2 CAN0 MSB Address Register

**Name:** SFR\_CAN0  
**Offset:** 0xA0  
**Reset:** 0x21000000  
**Property:** Read/Write

Bit	31	30	29	28	27	26	25	24
	EXT_MEM_ADDR[15:8]							
Access	R/W	R/W	R/W	R/W	R/W	R/W	R/W	R/W
Reset	0	0	1	0	0	0	0	1
Bit	23	22	21	20	19	18	17	16
	EXT_MEM_ADDR[7:0]							
Access	R/W	R/W	R/W	R/W	R/W	R/W	R/W	R/W
Reset	0	0	0	0	0	0	0	0
Bit	15	14	13	12	11	10	9	8
Access								
Reset								
Bit	7	6	5	4	3	2	1	0
Access								
Reset								

#### Bits 31:16 – EXT\_MEM\_ADDR[15:0] MSB Base Address

Gives the 16-bit MSB of the CAN0 MSB base address. The 16-bit LSB must be programmed in the CAN0 user interface.

### 33.3.3 CAN1 MSB Address Register

**Name:** SFR\_CAN1  
**Offset:** 0xA4  
**Reset:** 0x21000000  
**Property:** Read/Write

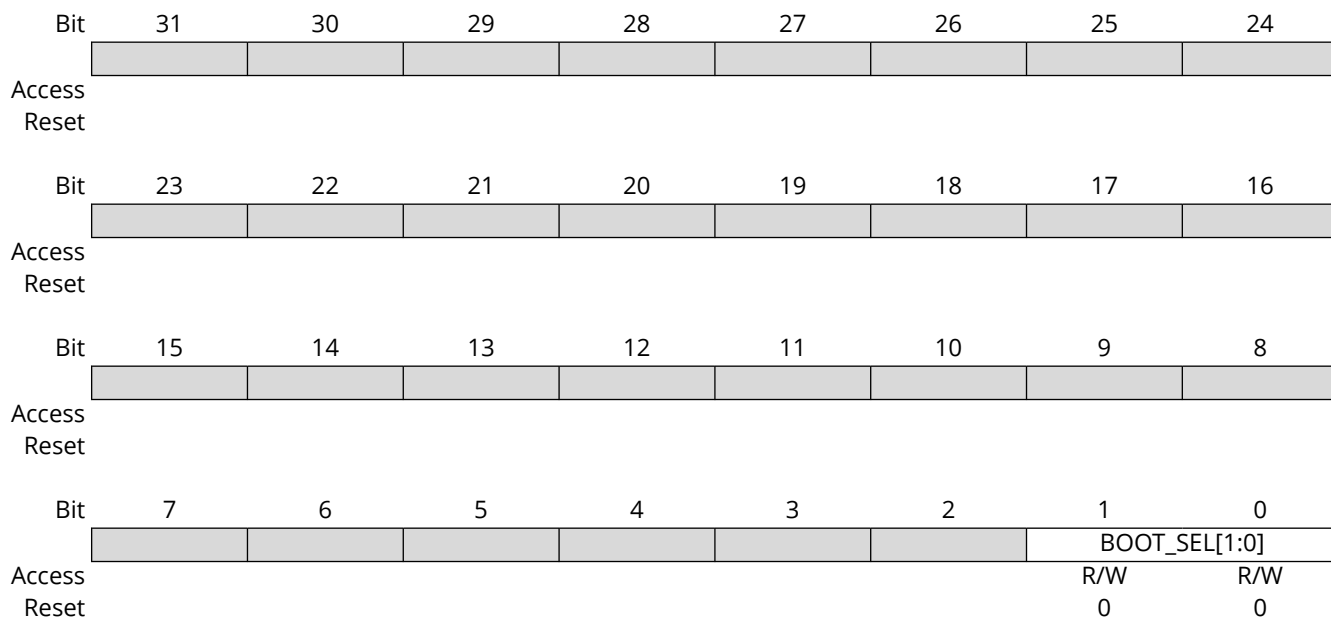
Bit	31	30	29	28	27	26	25	24
	EXT_MEM_ADDR[15:8]							
Access	R/W	R/W	R/W	R/W	R/W	R/W	R/W	R/W
Reset	0	0	1	0	0	0	0	1
Bit	23	22	21	20	19	18	17	16
	EXT_MEM_ADDR[7:0]							
Access	R/W	R/W	R/W	R/W	R/W	R/W	R/W	R/W
Reset	0	0	0	0	0	0	0	0
Bit	15	14	13	12	11	10	9	8
Access								
Reset								
Bit	7	6	5	4	3	2	1	0
Access								
Reset								

#### Bits 31:16 – EXT\_MEM\_ADDR[15:0] MSB Base Address

Gives the 16-bit MSB of the CAN1 MSB base address. The 16-bit LSB must be programmed in the CAN1 user interface.

### 33.3.4 BOOT Configuration Register

**Name:** SFR\_BOOT\_CFG  
**Offset:** 0xB0  
**Reset:** 0x00000000  
**Property:** Read/Write



**Bits 1:0 – BOOT\_SEL[1:0]** BOOT\_MODE selected  
 The register is a mirroring of the BOOT\_MODE[1:0] pins.

**Note:**  
 HEFC = 0b'00'  
 HEMC=0b'10'  
 ROM\_BOOT\_LOADER=0b'11'



### 33.3.5 SFR Write Protection Mode Register

**Name:** SFR\_WPMR  
**Offset:** 0xE4  
**Reset:** 0x00000001  
**Property:** Read/Write

Bit	31	30	29	28	27	26	25	24
	WPKEY[23:16]							
Access	R/W	R/W	R/W	R/W	R/W	R/W	R/W	R/W
Reset	0	0	0	0	0	0	0	0
Bit	23	22	21	20	19	18	17	16
	WPKEY[15:8]							
Access	R/W	R/W	R/W	R/W	R/W	R/W	R/W	R/W
Reset	0	0	0	0	0	0	0	0
Bit	15	14	13	12	11	10	9	8
	WPKEY[7:0]							
Access	R/W	R/W	R/W	R/W	R/W	R/W	R/W	R/W
Reset	0	0	0	0	0	0	0	0
Bit	7	6	5	4	3	2	1	0
								WPEN
Access								R/W
Reset								1

#### Bits 31:8 – WPKEY[23:0] Write Protection Key

Value	Name	Description
0x534652	PASSWD	Writing any other value in this field aborts the write operation of the WPEN bit. Always reads as 0.

#### Bit 0 – WPEN Write Protection Enable

Value	Description
0	Disables the write protection if WPKEY value corresponds to 0x534652 (“SFR” in ASCII).
1	Enables the write protection if WPKEY value corresponds to 0x534652 (“SFR” in ASCII). Note: All registers are write-protected.

## 34. DMA Controller (XDMAC)

### 34.1 Description

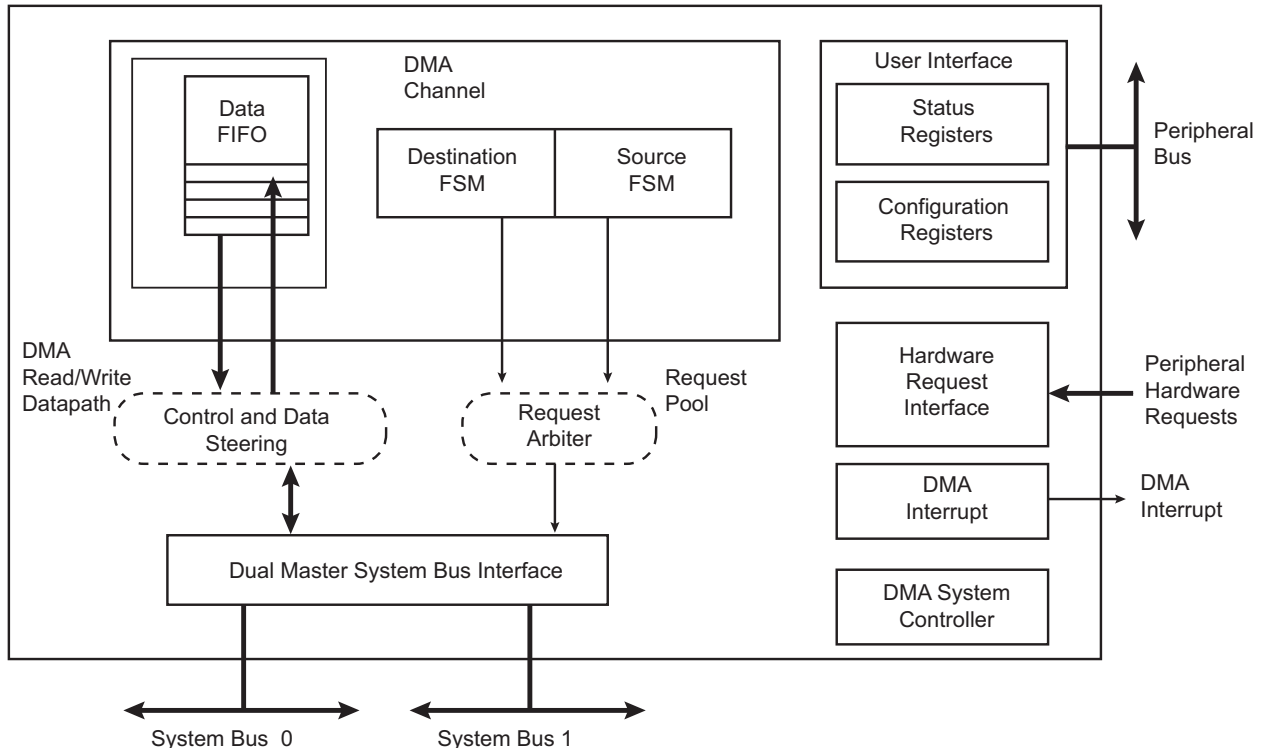
The DMA Controller (XDMAC) is a AHB-protocol central direct memory access controller. It performs peripheral data transfer and memory move operations over one or two bus ports through the unidirectional communication channel. Each channel is fully programmable and provides both peripheral or memory-to-memory transfers. The channel features are configurable at implementation.

### 34.2 Embedded Characteristics

- 2 System Bus Master Interfaces
- 32 DMA Channels
- 44 Hardware Requests
- 4.125 Kbytes Embedded FIFO
- Supports Peripheral-to-Memory, Memory-to-Peripheral, or Memory-to-Memory Transfer Operations
- Peripheral DMA Operation Runs on Bytes (8-bit), Half-Word (16-bit) and Word (32-bit)
- Memory DMA Operation Runs on Bytes (8 bit), Half-Word (16-bit) and Word (32 -bit)
- Supports Hardware and Software Initiated Transfers
- Supports Linked List Operations
- Supports Incrementing or Fixed Addressing Mode
- Supports Programmable Independent Data Striding for Source and Destination
- Supports Programmable Independent Microblock Striding for Source and Destination
- Configurable Priority Group and Arbitration Policy
- Programmable AHB Burst Length
- Configuration Interface on Peripheral Bus
- XDMAC Architecture Includes Multiport FIFO
- Supports Multiple View Channel Descriptor
- Automatic Flush of Channel Trailing Bytes
- Automatic Coarse-Grain and Fine-Grain Clock Gating
- Hardware Acceleration of Memset Pattern

## 34.3 Block Diagram

Figure 34-1. XDMAC Block Diagram



## 34.4 Functional Description

### 34.4.1 Basic Definitions

**Source Peripheral:** Slave device, memory mapped on the interconnection network, from where the XDMAC reads data. The source peripheral teams up with a destination peripheral to form a channel. A data read operation is scheduled when the peripheral transfer request is asserted.

**Destination Peripheral:** Slave device, memory mapped on the interconnection network, to which the XDMAC writes. A write data operation is scheduled when the peripheral transfer request is asserted.

**Channel:** The data movement between source and destination creates a logical channel.

**Stride:** Number of address locations between successive elements/data measured in bytes.

**Transfer Type:** The transfer is hardware-synchronized when it is paced by the peripheral hardware request, otherwise the transfer is self-triggered (memory to memory transfer).

### 34.4.2 Transfer Hierarchy Diagram

**XDMAC Master Transfer:** The Master Transfer is composed of a linked list of blocks. The channel address, control and configuration registers can be modified at the inter block boundary. The descriptor structure modifies the channel registers conditionally. Interrupts can be generated on a per block basis or when the end of linked list event occurs.

**XDMAC Block:** An XDMAC block is composed of a programmable number of microblocks. The channel configuration registers remain unchanged at the inter microblock boundary. The source and destination addresses are conditionally updated with a programmable signed number.

**XDMAC Microblock:** The microblock is composed of a programmable number of data. The channel configuration registers remain unchanged at the data boundary. The data address may be fixed (a FIFO location, a peripheral transmit or receive register), incrementing (a memory-mapped area) by a programmable signed number.

**XDMAC Burst and Incomplete Burst:** In order to improve the overall performance when accessing dynamic external memory, burst access is mandatory. Each data of the microblock is considered as a part of a memory burst. The programmable burst value indicates the largest memory burst allowed on a per channel basis. When the microblock length is not an integral multiple of the burst size, an incomplete burst is performed to read or write the last trailing bytes.

**XDMAC Chunk and Incomplete Chunk:** When a peripheral synchronized transfer is activated, the microblock splits into a number of data chunks. The chunk size is programmable. The larger the chunk is, the better the performance is. When the transfer size is not a multiple of the chunk size, the last chunk may be incomplete.

Figure 34-2. XDMAC Memory Transfer Hierarchy

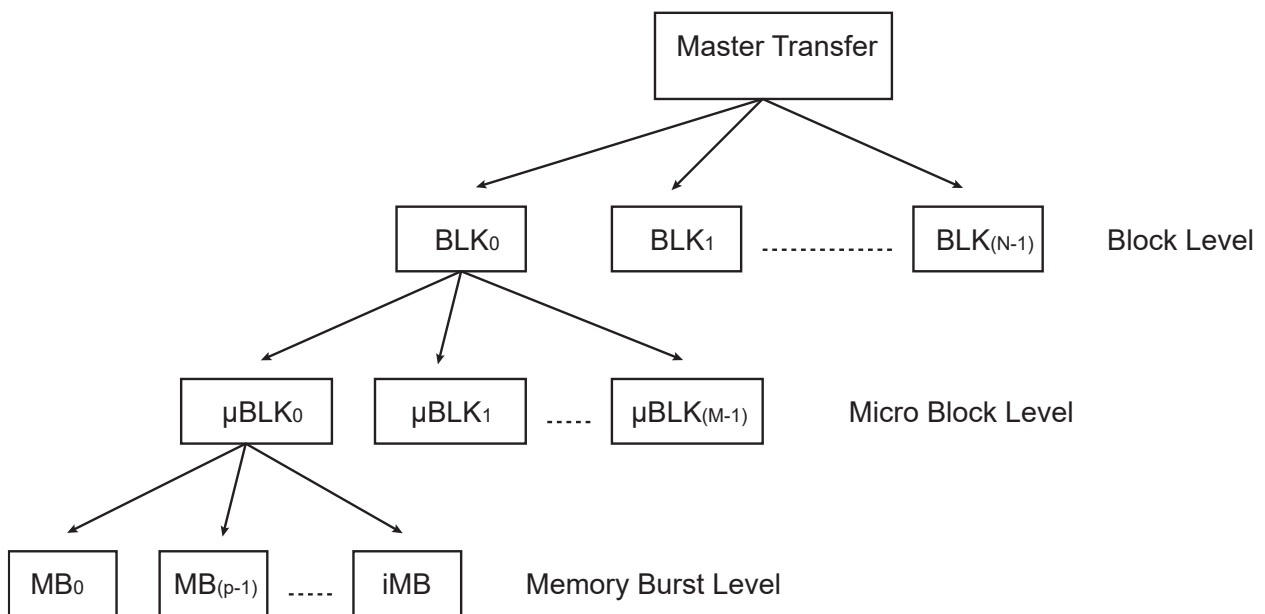
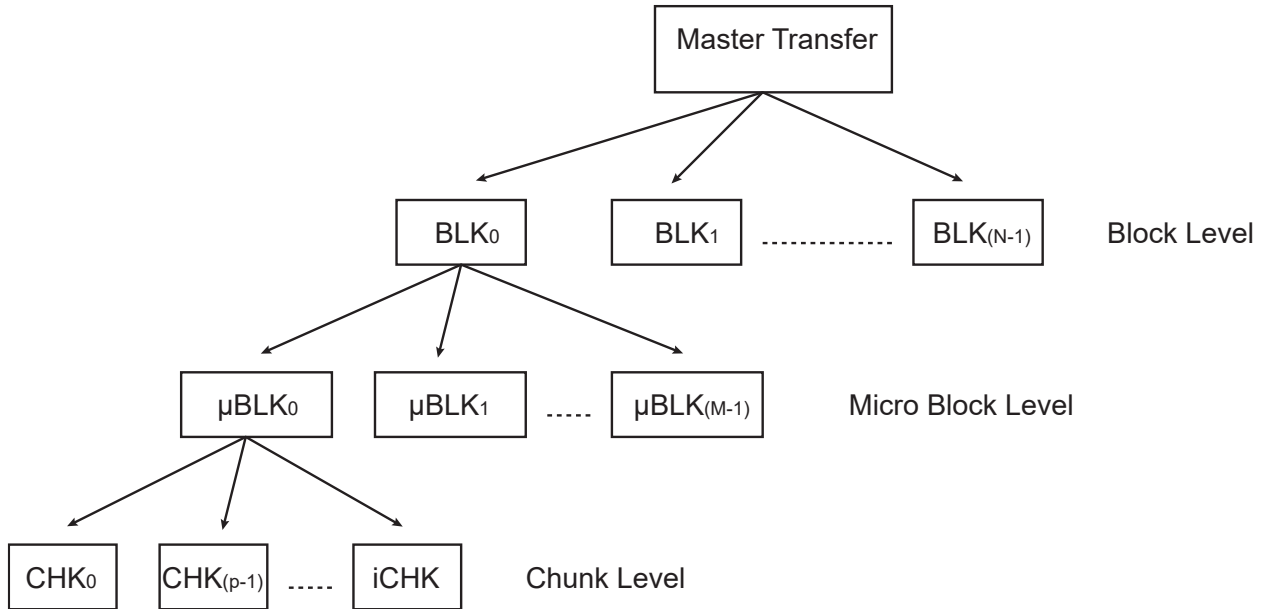


Figure 34-3. XDAMC Peripheral Transfer Hierarchy



### 34.4.3 Peripheral Synchronized Transfer

A peripheral hardware request interface is used to control the pace of the chunk transfer. When a peripheral is ready to transmit or receive a chunk of data, it asserts its request line and the DMA Controller transfers a data to or from the memory to the peripheral.

#### 34.4.3.1 Software Triggered Synchronized Transfer

The Peripheral hardware request can be software controlled using the SWREQ field of the XDAMC Global Channel Software Request Register (XDAMC\_GSWR). The peripheral synchronized transfer is paced using a processor write access in the XDAMC\_GSWR. Each bit of that register triggers a transfer request. The XDAMC Global Channel Software Request Status Register (XDAMC\_GSWS) indicates the status of the request; when set, the request is still pending.

### 34.4.4 XDAMC Transfer Software Operation

#### Note:

When a memory-to-memory transfer is performed, configure the field XDAMC\_CCx.PERID (where 'x' is the index of the channel used for transfer) to an unused peripheral ID (refer to table "Peripheral Identifiers").

#### 34.4.4.1 Single Block Transfer With Single Microblock

1. Read the XDAMC Global Channel Status Register (XDAMC\_GS) to select a free channel.
2. Clear the pending Interrupt Status bit(s) by reading the selected XDAMC Channel x Interrupt Status Register (XDAMC\_CISx).
3. Write the XDAMC Channel x Source Address Register (XDAMC\_CSx) for channel x.
4. Write the XDAMC Channel x Destination Address Register (XDAMC\_CDx) for channel x.
5. Program field UBLLEN in the XDAMC Channel x Microblock Control Register (XDAMC\_CUBCx) with the number of data.
6. Program the XDAMC Channel x Configuration Register (XDAMC\_CCx):
  - a. Clear XDAMC\_CCx.TYPE for a memory-to-memory transfer, otherwise set this bit.
  - b. Configure XDAMC\_CCx.MBSIZE to the memory burst size used.
  - c. Configure XDAMC\_CCx.SAM and DAM to Memory Addressing mode.

- d. Configure XDMAC\_CCx.DSYNC to select the peripheral transfer direction.
  - e. Set XDMAC\_CCx.PROT to activate a privileged channel.
  - f. Configure XDMAC\_CCx.CSIZE to configure the channel chunk size (only relevant for peripheral synchronized transfer).
  - g. Configure XDMAC\_CCx.DWIDTH to configure the transfer data width.
  - h. Configure XDMAC\_CCx.SIF, XDMAC\_CCx.DIF to configure the master interface used to read data and write data, respectively.
  - i. Configure XDMAC\_CCx.PERID to select the active hardware request line (only relevant for a peripheral synchronized transfer).
  - j. Set XDMAC\_CCx.SWREQ to use a software request (only relevant for a peripheral synchronized transfer).
7. Clear the following five registers:
    - XDMAC Channel x Next Descriptor Control Register (XDMAC\_CNDCx)
    - XDMAC Channel x Block Control Register (XDMAC\_CBCx)
    - XDMAC Channel x Data Stride Memory Set Pattern Register (XDMAC\_CDS\_MSPx)
    - XDMAC Channel x Source Microblock Stride Register (XDMAC\_CSUSx)
    - XDMAC Channel x Destination Microblock Stride Register (XDMAC\_CDUSx)

This indicates that the linked list is disabled, there is only one block and striding is disabled.
  8. Enable the Microblock interrupt by writing a '1' to bit BIE in the XDMAC Channel x Interrupt Enable Register (XDMAC\_CIEx). Enable the Channel x Interrupt Enable bit by writing a '1' to bit IEx in the XDMAC Global Interrupt Enable Register (XDMAC\_GIE).
  9. Enable channel x by writing a '1' to bit ENx in the XDMAC Global Channel Enable Register (XDMAC\_GE). XDMAC\_GS.STx (XDMAC Channel x Status bit) is set by hardware.
  10. Once completed, the DMA channel sets XDMAC\_CISx.BIS (End of Block Interrupt Status bit) and generates an interrupt. XDMAC\_GS.STx is cleared by hardware. The software can either wait for an interrupt or poll the channel status bit.

#### 34.4.4.2 Single Block Transfer With Multiple Microblock

1. Read the XDMAC\_GS register to choose a free channel.
2. Clear the pending Interrupt Status bit by reading the chosen XDMAC\_CISx register.
3. Write the XDMAC\_CSAx register for channel x.
4. Write the XDMAC\_CDAx register for channel x.
5. Program XDMAC\_CUBCx.UBLEN with the number of data.
6. Program XDMAC\_CCx register (see ["Single Block Transfer With Single Microblock"](#)).
7. Program XDMAC\_CBCx.BLEN with the number of microblocks of data.
8. Clear the following registers:
  - XDMAC\_CNDCx
  - XDMAC\_CDS\_MSPx
  - XDMAC\_CSUSx XDMAC\_CDUSx

This indicates that the linked list is disabled and striding is disabled.
9. Enable the Block interrupt by writing a '1' to XDMAC\_CIEx.BIE, enable the Channel x Interrupt Enable bit by writing a '1' to XDMAC\_GIEx.IEx.
10. Enable channel x by writing a '1' to the XDMAC\_GE.ENx. XDMAC\_GS.STx is set by hardware.

- Once completed, the DMA channel sets XDMAC\_CISx.BIS (End of Block Interrupt Status bit) and generates an interrupt. XDMAC\_GS.STx is cleared by hardware. The software can either wait for an interrupt or poll the channel status bit.

#### 34.4.4.3 Master Transfer

- Read the XDMAC\_GS register to choose a free channel.
- Clear the pending Interrupt Status bit by reading the chosen XDMAC\_CISx register.
- Build a linked list of transfer descriptors in memory. The descriptor view is programmable on a per descriptor basis. The linked list items structure must be word aligned. MBR\_UBC.NDE must be configured to 0 in the last descriptor to terminate the list.
- Configure field NDA in the XDMAC Channel x Next Descriptor Address Register (XDMAC\_CNDAx) with the first descriptor address and bit XDMAC\_CNDAx.NDAIF with the master interface identifier.
- Configure the XDMAC\_CNDCx register:
  - Set XDMAC\_CNDCx.NDE to enable the descriptor fetch.
  - Set XDMAC\_CNDCx.NDSUP to update the source address at the descriptor fetch time, otherwise clear this bit.
  - Set XDMAC\_CNDCx.NDDUP to update the destination address at the descriptor fetch time, otherwise clear this bit.
  - Configure XDMAC\_CNDCx.NDVIEW to define the length of the first descriptor.
- Enable the End of Linked List interrupt by writing a '1' to XDMAC\_CIEx.LIE.
- Enable channel x by writing a '1' to XDMAC\_GE.ENx. XDMAC\_GS.STx is set by hardware.
- Once completed, the DMA channel sets XDMAC\_CISx.BIS (End of Block Interrupt Status bit) and generates an interrupt. XDMAC\_GS.STx is cleared by hardware. The software can either wait for an interrupt or poll the channel status bit.

#### 34.4.4.4 Disabling A Channel Before Transfer Completion

Under normal operation, the software enables a channel by writing a '1' to XDMAC\_GE.ENx, then the hardware disables a channel on transfer completion by clearing bit XDMAC\_GS.STx. To disable a channel, write a '1' to bit XDMAC\_GD.DIx and poll the XDMAC\_GS register.

### 34.5 Linked List Descriptor Operation

#### 34.5.1 Linked List Descriptor View

##### 34.5.1.1 Channel Next Descriptor View 0–3 Structures

**Table 34-1.** Channel Next Descriptor View 0–3 Structures

Channel Next Descriptor	Offset	Structure member	Name
View 0 Structure	DSCR_ADDR+0x00	Next Descriptor Address Member	MBR_NDA
	DSCR_ADDR+0x04	Microblock Control Member	MBR_UBC
	DSCR_ADDR+0x08	Transfer Address Member	MBR_TA
View 1 Structure	DSCR_ADDR+0x00	Next Descriptor Address Member	MBR_NDA
	DSCR_ADDR+0x04	Microblock Control Member	MBR_UBC
	DSCR_ADDR+0x08	Source Address Member	MBR_SA
	DSCR_ADDR+0x0C	Destination Address Member	MBR_DA

.....continued

Channel Next Descriptor	Offset	Structure member	Name
View 2 Structure	DSCR_ADDR+0x00	Next Descriptor Address Member	MBR_NDA
	DSCR_ADDR+0x04	Microblock Control Member	MBR_UBC
	DSCR_ADDR+0x08	Source Address Member	MBR_SA
	DSCR_ADDR+0x0C	Destination Address Member	MBR_DA
	DSCR_ADDR+0x10	Configuration Register	MBR_CFG
View 3 Structure	DSCR_ADDR+0x00	Next Descriptor Address Member	MBR_NDA
	DSCR_ADDR+0x04	Microblock Control Member	MBR_UBC
	DSCR_ADDR+0x08	Source Address Member	MBR_SA
	DSCR_ADDR+0x0C	Destination Address Member	MBR_DA
	DSCR_ADDR+0x10	Configuration Member	MBR_CFG
	DSCR_ADDR+0x14	Block Control Member	MBR_BC
	DSCR_ADDR+0x18	Data Stride Member	MBR_DS
	DSCR_ADDR+0x1C	Source Microblock Stride Member	MBR_SUS
	DSCR_ADDR+0x20	Destination Microblock Stride Member	MBR_DUS

### 34.5.2 Descriptor Structure Members Description



### 34.5.2.1 Descriptor Structure Microblock Control Member

**Name:** MBR\_UBC  
**Property:** Read-only

Bit	31	30	29	28	27	26	25	24
				NVIEW[1:0]		NDEN	NSEN	NDE
Access				R	R	R	R	R
Reset								
Bit	23	22	21	20	19	18	17	16
	UBLEN[23:16]							
Access	R	R	R	R	R	R	R	R
Reset								
Bit	15	14	13	12	11	10	9	8
	UBLEN[15:8]							
Access	R	R	R	R	R	R	R	R
Reset								
Bit	7	6	5	4	3	2	1	0
	UBLEN[7:0]							
Access	R	R	R	R	R	R	R	R
Reset								

#### Bits 28:27 – NVIEW[1:0] Next Descriptor View

Value	Name	Description
0	NDV0	Next Descriptor View 0
1	NDV1	Next Descriptor View 1
2	NDV2	Next Descriptor View 2
3	NDV3	Next Descriptor View 3

#### Bit 26 – NDEN Next Descriptor Destination Update

Value	Description
0	Destination parameters remain unchanged.
1	Destination parameters are updated when the descriptor is retrieved.

#### Bit 25 – NSEN Next Descriptor Source Update

Value	Description
0	Source parameters remain unchanged.
1	Source parameters are updated when the descriptor is retrieved.

#### Bit 24 – NDE Next Descriptor Enable

Value	Description
0	Descriptor fetch is disabled.
1	Descriptor fetch is enabled.

#### Bits 23:0 – UBLEN[23:0] Microblock Length

This field indicates the number of data in the microblock. The microblock contains UBLEN data.

## 34.6 XDMAC Maintenance Software Operations

### 34.6.1 Disabling a Channel

A disable channel request occurs when a write operation is performed in the XDMAC\_GD register. If the channel is source peripheral synchronized (bit XDMAC\_CCx.TYPE is set and bit XDMAC\_CCx.DSYNC is cleared), then pending bytes (bytes located in the FIFO) are written to memory and bit XDMAC\_CISx.DIS is set. If the channel is not source peripheral synchronized, the current channel transaction (read or write) is terminated and XDMAC\_CISx.DIS is set. XDMAC\_GS.STx is cleared by hardware when the current transfer is completed. The channel is no longer active and can be reused.

### 34.6.2 Suspending a Channel

A disable channel request occurs when a write operation is performed in the XDMAC\_GD register. If the channel is source peripheral synchronized (bit XDMAC\_CCx.TYPE is set and bit XDMAC\_CCx.DSYNC is cleared), then pending bytes (bytes located in the FIFO) are written to memory and bit XDMAC\_CISx.DIS is set. If the channel is not source peripheral synchronized, the current channel transaction (read or write) is terminated and XDMAC\_CISx.DIS is set. XDMAC\_GS.STx is cleared by hardware when the current transfer is completed. The channel is no longer active and can be reused.

### 34.6.3 Flushing a Channel

A FIFO flush command is issued by writing to the XDMAC\_SWF register. The content of the FIFO is written to memory. XDMAC\_CISx.FIS (End of Flush Interrupt Status bit) is set when the last byte is successfully transferred to memory. The channel is not disabled. The flush operation is not blocking, meaning that read operation can be scheduled during the flush write operation. The flush operation is only relevant for peripheral to memory transfer where pending peripheral bytes are buffered into the channel FIFO.

### 34.6.4 Maintenance Operation Priority

#### 34.6.4.1 Disable Operation Priority

- When a disable request occurs on a suspended channel, the XDMAC\_GWS.WSx (Channel x Write Suspend bit) is cleared. If the transfer is source peripheral synchronized, the pending bytes are drained to memory. The bit XDMAC\_CISx.DIS is set.
- When a disable request follows a flush request, if the flush last transaction is not yet scheduled, the flush request is discarded and the disable procedure is applied. Bit XDMAC\_CISx.FIS is not set. Bit XDMAC\_CISx.DIS is set when the disable request is completed. If the flush request transaction is already scheduled, the XDMAC\_CISx.FIS is set. XDMAC\_CISx.DIS is also set when the disable request is completed.

#### 34.6.4.2 Flush Operation Priority

- When a flush request occurs on a suspended channel, if there are pending bytes in the FIFO, they are written out to memory, XDMAC\_CISx.FIS is set. If the FIFO is empty, XDMAC\_CISx.FIS is also set.
- If the flush operation is performed after a disable request, the flush command is ignored. XDMAC\_CISx.FIS is not set.

#### 34.6.4.3 Suspend Operation Priority

If the suspend operation is performed after a disable request, the write suspend operation is ignored.

### 34.7 XDMAC Software Requirements

- Write operations to channel registers are not be performed in an active channel after the channel is enabled. If any channel parameters must be reprogrammed, this can only be done after disabling the XDMAC channel.
- XDMAC\_CSx and XDMAC\_CDx channel registers must be programmed with a byte, half-word or word aligned address depending on the Channel x Data Width field (DWIDTH) of the XDMAC Channel x Configuration Register. When a memory-to-peripheral transfer is performed, the XDMAC\_CSx address register has no alignment requirement.
- When a memory-to-memory transfer is performed, configure the field XDMAC\_CCx.PERID (where 'x' is the index of the channel used for the transfer) to an unused peripheral ID (refer to table "Peripheral Identifiers").
- When XDMAC\_CC.INITD is set to 0, XDMAC\_CUBC.UBLEN and XDMAC\_CNDA.NDA field values are unreliable when the descriptor is being updated. The following procedure applies to get the buffer descriptor identifier and the residual bytes:

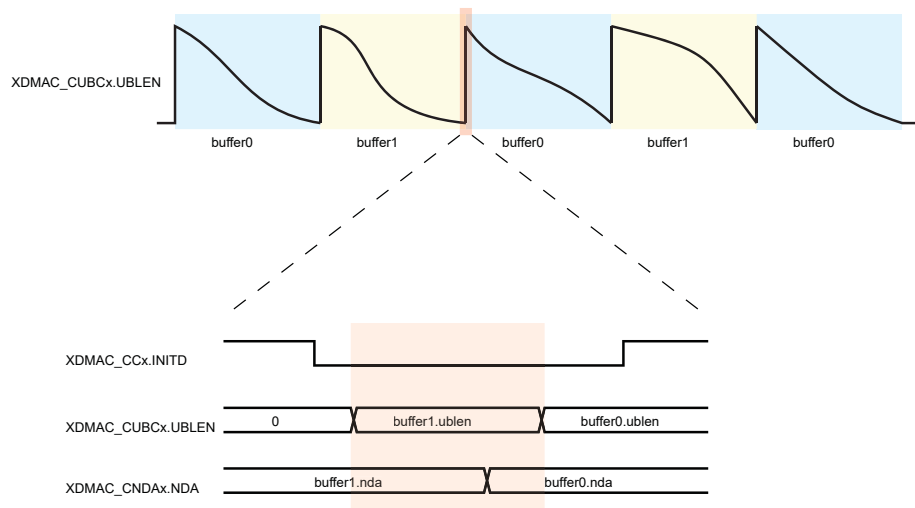
```

Read XDMAC_CNDAx.NDA (nda0)
Read XDMAC_CCx.INITD (initd0)
Read XDMAC_CCx.INITD (initd1)
Read XDMAC_CUBCx.UBLEN (ublen)
Read XDMAC_CCx.INITD (initd1)
Read XDMAC_CNDAx.NDA (nda1)
If (nda0 == nda1 && initd0 == 1 && initd1 == 1).
Then the ublen is correct, the buffer id is nda.
Else retry
    
```

See the figure below.

- Each DMA channel can be configured in either Privileged or User mode independently. When a DMA channel is secure, its configuration registers cannot be modified by user software. The configuration registers of a privileged channel are read as zero by user software and the read-only registers are also read as zero.

Figure 34-4. INITD Timing Diagram



## 34.8 Register Summary

Offset	Name	Bit Pos.	7	6	5	4	3	2	1	0	
0x00	XDMAC_GTYPE	7:0	FIFO_SZ[2:0]			NB_CH[4:0]					
		15:8	FIFO_SZ[10:3]								
		23:16	NB_REQ[6:0]								
		31:24									
0x04	XDMAC_GCFG	7:0				CGDISIF		CGDISFIFO	CGDISPIPE	CGDISREG	
		15:8	BXXBEN								
		23:16									
		31:24									
0x08	XDMAC_GWAC	7:0	PW1[3:0]			PW0[3:0]					
		15:8	PW3[3:0]			PW2[3:0]					
		23:16									
		31:24									
0x0C	XDMAC_GIE	7:0	IE7	IE6	IE5	IE4	IE3	IE2	IE1	IE0	
		15:8	IE15	IE14	IE13	IE12	IE11	IE10	IE9	IE8	
		23:16	IE23	IE22	IE21	IE20	IE19	IE18	IE17	IE16	
		31:24	IE31	IE30	IE29	IE28	IE27	IE26	IE25	IE24	
0x10	XDMAC_GID	7:0	ID7	ID6	ID5	ID4	ID3	ID2	ID1	ID0	
		15:8	ID15	ID14	ID13	ID12	ID11	ID10	ID9	ID8	
		23:16	ID23	ID22	ID21	ID20	ID19	ID18	ID17	ID16	
		31:24	ID31	ID30	ID29	ID28	ID27	ID26	ID25	ID24	
0x14	XDMAC_GIM	7:0	IM7	IM6	IM5	IM4	IM3	IM2	IM1	IM0	
		15:8	IM15	IM14	IM13	IM12	IM11	IM10	IM9	IM8	
		23:16	IM23	IM22	IM21	IM20	IM19	IM18	IM17	IM16	
		31:24	IM31	IM30	IM29	IM28	IM27	IM26	IM25	IM24	
0x18	XDMAC_GIS	7:0	IS7	IS6	IS5	IS4	IS3	IS2	IS1	IS0	
		15:8	IS15	IS14	IS13	IS12	IS11	IS10	IS9	IS8	
		23:16	IS23	IS22	IS21	IS20	IS19	IS18	IS17	IS16	
		31:24	IS31	IS30	IS29	IS28	IS27	IS26	IS25	IS24	
0x1C	XDMAC_GE	7:0	EN7	EN6	EN5	EN4	EN3	EN2	EN1	EN0	
		15:8	EN15	EN14	EN13	EN12	EN11	EN10	EN9	EN8	
		23:16	EN23	EN22	EN21	EN20	EN19	EN18	EN17	EN16	
		31:24	EN31	EN30	EN29	EN28	EN27	EN26	EN25	EN24	
0x20	XDMAC_GD	7:0	DI7	DI6	DI5	DI4	DI3	DI2	DI1	DI0	
		15:8	DI15	DI14	DI13	DI12	DI11	DI10	DI9	DI8	
		23:16	DI23	DI22	DI21	DI20	DI19	DI18	DI17	DI16	
		31:24	DI31	DI30	DI29	DI28	DI27	DI26	DI25	DI24	
0x24	XDMAC_GS	7:0	ST7	ST6	ST5	ST4	ST3	ST2	ST1	ST0	
		15:8	ST15	ST14	ST13	ST12	ST11	ST10	ST9	ST8	
		23:16	ST23	ST22	ST21	ST20	ST19	ST18	ST17	ST16	
		31:24	ST31	ST30	ST29	ST28	ST27	ST26	ST25	ST24	
0x28	XDMAC_GRS	7:0	RS7	RS6	RS5	RS4	RS3	RS2	RS1	RS0	
		15:8	RS15	RS14	RS13	RS12	RS11	RS10	RS9	RS8	
		23:16	RS23	RS22	RS21	RS20	RS19	RS18	RS17	RS16	
		31:24	RS31	RS30	RS29	RS28	RS27	RS26	RS25	RS24	
0x2C	XDMAC_GWS	7:0	WS7	WS6	WS5	WS4	WS3	WS2	WS1	WS0	
		15:8	WS15	WS14	WS13	WS12	WS11	WS10	WS9	WS8	
		23:16	WS23	WS22	WS21	WS20	WS19	WS18	WS17	WS16	
		31:24	WS31	WS30	WS29	WS28	WS27	WS26	WS25	WS24	
0x30	XDMAC_GRWS	7:0	RWS7	RWS6	RWS5	RWS4	RWS3	RWS2	RWS1	RWS0	
		15:8	RWS15	RWS14	RWS13	RWS12	RWS11	RWS10	RWS9	RWS8	
		23:16	RWS23	RWS22	RWS21	RWS20	RWS19	RWS18	RWS17	RWS16	
		31:24	RWS31	RWS30	RWS29	RWS28	RWS27	RWS26	RWS25	RWS24	
0x34	XDMAC_GRWR	7:0	RWR7	RWR6	RWR5	RWR4	RWR3	RWR2	RWR1	RWR0	
		15:8	RWR15	RWR14	RWR13	RWR12	RWR11	RWR10	RWR9	RWR8	
		23:16	RWR23	RWR22	RWR21	RWR20	RWR19	RWR18	RWR17	RWR16	
		31:24	RWR31	RWR30	RWR29	RWR28	RWR27	RWR26	RWR25	RWR24	

.....continued

Offset	Name	Bit Pos.	7	6	5	4	3	2	1	0	
0x38	XDMAC_GSWR	7:0	SWREQ7	SWREQ6	SWREQ5	SWREQ4	SWREQ3	SWREQ2	SWREQ1	SWREQ0	
		15:8	SWREQ15	SWREQ14	SWREQ13	SWREQ12	SWREQ11	SWREQ10	SWREQ9	SWREQ8	
		23:16	SWREQ23	SWREQ22	SWREQ21	SWREQ20	SWREQ19	SWREQ18	SWREQ17	SWREQ16	
		31:24	SWREQ31	SWREQ30	SWREQ29	SWREQ28	SWREQ27	SWREQ26	SWREQ25	SWREQ24	
0x3C	XDMAC_GSW5	7:0	SWRS7	SWRS6	SWRS5	SWRS4	SWRS3	SWRS2	SWRS1	SWRS0	
		15:8	SWRS15	SWRS14	SWRS13	SWRS12	SWRS11	SWRS10	SWRS9	SWRS8	
		23:16	SWRS23	SWRS22	SWRS21	SWRS20	SWRS19	SWRS18	SWRS17	SWRS16	
		31:24	SWRS31	SWRS30	SWRS29	SWRS28	SWRS27	SWRS26	SWRS25	SWRS24	
0x40	XDMAC_GSWF	7:0	SWF7	SWF6	SWF5	SWF4	SWF3	SWF2	SWF1	SWF0	
		15:8	SWF15	SWF14	SWF13	SWF12	SWF11	SWF10	SWF9	SWF8	
		23:16	SWF23	SWF22	SWF21	SWF20	SWF19	SWF18	SWF17	SWF16	
		31:24	SWF31	SWF30	SWF29	SWF28	SWF27	SWF26	SWF25	SWF24	
0x44 ... 0x4F	Reserved										
0x50	XDMAC_CIE0	7:0		ROIE	WBIE	RBIE	FIE	DIE	LIE	BIE	
		15:8									
		23:16									
		31:24									
0x54	XDMAC_CID0	7:0		ROID	WBEID	RBEID	FID	DID	LID	BID	
		15:8									
		23:16									
		31:24									
0x58	XDMAC_CIM0	7:0		ROIM	WBEIM	RBEIM	FIM	DIM	LIM	BIM	
		15:8									
		23:16									
		31:24									
0x5C	XDMAC_CIS0	7:0		ROIS	WBEIS	RBEIS	FIS	DIS	LIS	BIS	
		15:8									
		23:16									
		31:24									
0x60	XDMAC_CSA0	7:0	SA[7:0]								
		15:8	SA[15:8]								
		23:16	SA[23:16]								
		31:24	SA[31:24]								
0x64	XDMAC_CDA0	7:0	DA[7:0]								
		15:8	DA[15:8]								
		23:16	DA[23:16]								
		31:24	DA[31:24]								
0x68	XDMAC_CNDA0	7:0	NDA[5:0]								NDAIF
		15:8	NDA[13:6]								
		23:16	NDA[21:14]								
		31:24	NDA[29:22]								
0x6C	XDMAC_CNDC0	7:0				NDVIEW[1:0]		NDDUP	NDSUP	NDE	
		15:8									
		23:16									
		31:24									
0x70	XDMAC_CUBC0	7:0	UBLEN[7:0]								
		15:8	UBLEN[15:8]								
		23:16	UBLEN[23:16]								
		31:24									
0x74	XDMAC_CBC0	7:0	BLEN[7:0]								
		15:8				BLEN[11:8]					
		23:16									
		31:24									
0x78	XDMAC_CC0	7:0	MEMSET	SWREQ	PROT	DSYNC		MBSIZE[1:0]		TYPE	
		15:8		DIF	SIF	DWIDTH[1:0]		CSIZE[2:0]			
		23:16	WRIP	RDIP	INITD		DAM[1:0]		SAM[1:0]		
		31:24		PERID[6:0]							

.....continued

Offset	Name	Bit Pos.	7	6	5	4	3	2	1	0	
0x7C	XDMAC_CDS_MSP0	7:0	SDS_MSP[7:0]								
		15:8	SDS_MSP[15:8]								
		23:16	DDS_MSP[7:0]								
		31:24	DDS_MSP[15:8]								
0x80	XDMAC_CSUS0	7:0	SUBS[7:0]								
		15:8	SUBS[15:8]								
		23:16	SUBS[23:16]								
		31:24									
0x84	XDMAC_CDU0	7:0	DUBS[7:0]								
		15:8	DUBS[15:8]								
		23:16	DUBS[23:16]								
		31:24									
0x88 ... 0x8F	Reserved										
0x90	XDMAC_CIE1	7:0		ROIE	WBIE	RBIE	FIE	DIE	LIE	BIE	
		15:8									
		23:16									
		31:24									
0x94	XDMAC_CID1	7:0		ROID	WBEID	RBEID	FID	DID	LID	BID	
		15:8									
		23:16									
		31:24									
0x98	XDMAC_CIM1	7:0		ROIM	WBEIM	RBEIM	FIM	DIM	LIM	BIM	
		15:8									
		23:16									
		31:24									
0x9C	XDMAC_CIS1	7:0		ROIS	WBEIS	RBEIS	FIS	DIS	LIS	BIS	
		15:8									
		23:16									
		31:24									
0xA0	XDMAC_CSA1	7:0	SA[7:0]								
		15:8	SA[15:8]								
		23:16	SA[23:16]								
		31:24	SA[31:24]								
0xA4	XDMAC_CDA1	7:0	DA[7:0]								
		15:8	DA[15:8]								
		23:16	DA[23:16]								
		31:24	DA[31:24]								
0xA8	XDMAC_CNDA1	7:0	NDA[5:0]								NDAIF
		15:8	NDA[13:6]								
		23:16	NDA[21:14]								
		31:24	NDA[29:22]								
0xAC	XDMAC_CNDC1	7:0					NDVIEW[1:0]		NDDUP	NDSUP	NDE
		15:8									
		23:16									
		31:24									
0xB0	XDMAC_CUBC1	7:0	UBLEN[7:0]								
		15:8	UBLEN[15:8]								
		23:16	UBLEN[23:16]								
		31:24									
0xB4	XDMAC_CBC1	7:0	BLEN[7:0]								
		15:8					BLEN[11:8]				
		23:16									
		31:24									
0xB8	XDMAC_CC1	7:0	MEMSET	SWREQ	PROT	DSYNC	MBSIZE[1:0]			TYPE	
		15:8		DIF	SIF	DWIDTH[1:0]			CSIZE[2:0]		
		23:16	WRIP	RDIP	INITD				DAM[1:0]	SAM[1:0]	
		31:24	PERID[6:0]								

.....continued

Offset	Name	Bit Pos.	7	6	5	4	3	2	1	0	
0xBC	XDMAC_CDS_MSP1	7:0	SDS_MSP[7:0]								
		15:8	SDS_MSP[15:8]								
		23:16	DDS_MSP[7:0]								
		31:24	DDS_MSP[15:8]								
0xC0	XDMAC_CSUS1	7:0	SUBS[7:0]								
		15:8	SUBS[15:8]								
		23:16	SUBS[23:16]								
		31:24									
0xC4	XDMAC_CDUS1	7:0	DUBS[7:0]								
		15:8	DUBS[15:8]								
		23:16	DUBS[23:16]								
		31:24									
0xC8 ... 0xCF	Reserved										
0xD0	XDMAC_CIE2	7:0		ROIE	WBIE	RBIE	FIE	DIE	LIE	BIE	
		15:8									
		23:16									
		31:24									
0xD4	XDMAC_CID2	7:0		ROID	WBEID	RBEID	FID	DID	LID	BID	
		15:8									
		23:16									
		31:24									
0xD8	XDMAC_CIM2	7:0		ROIM	WBEIM	RBEIM	FIM	DIM	LIM	BIM	
		15:8									
		23:16									
		31:24									
0xDC	XDMAC_CIS2	7:0		ROIS	WBEIS	RBEIS	FIS	DIS	LIS	BIS	
		15:8									
		23:16									
		31:24									
0xE0	XDMAC_CSA2	7:0	SA[7:0]								
		15:8	SA[15:8]								
		23:16	SA[23:16]								
		31:24	SA[31:24]								
0xE4	XDMAC_CDA2	7:0	DA[7:0]								
		15:8	DA[15:8]								
		23:16	DA[23:16]								
		31:24	DA[31:24]								
0xE8	XDMAC_CNDA2	7:0	NDA[5:0]								NDAIF
		15:8	NDA[13:6]								
		23:16	NDA[21:14]								
		31:24	NDA[29:22]								
0xEC	XDMAC_CNDC2	7:0				NDVIEW[1:0]		NDDUP	NDSUP	NDE	
		15:8									
		23:16									
		31:24									
0xF0	XDMAC_CUBC2	7:0	UBLEN[7:0]								
		15:8	UBLEN[15:8]								
		23:16	UBLEN[23:16]								
		31:24									
0xF4	XDMAC_CBC2	7:0	BLEN[7:0]								
		15:8				BLEN[11:8]					
		23:16									
		31:24									
0xF8	XDMAC_CC2	7:0	MEMSET	SWREQ	PROT	DSYNC	MBSIZE[1:0]		TYPE		
		15:8		DIF	SIF	DWIDTH[1:0]		CSIZE[2:0]			
		23:16	WRIP	RDIP	INITD	DAM[1:0]			SAM[1:0]		
		31:24	PERID[6:0]								

.....continued

Offset	Name	Bit Pos.	7	6	5	4	3	2	1	0	
0xFC	XDMAC_CDS_MSP2	7:0	SDS_MSP[7:0]								
		15:8	SDS_MSP[15:8]								
		23:16	DDS_MSP[7:0]								
		31:24	DDS_MSP[15:8]								
0x0100	XDMAC_CSUS2	7:0	SUBS[7:0]								
		15:8	SUBS[15:8]								
		23:16	SUBS[23:16]								
		31:24									
0x0104	XDMAC_CDU2	7:0	DUBS[7:0]								
		15:8	DUBS[15:8]								
		23:16	DUBS[23:16]								
		31:24									
0x0108 ... 0x010F	Reserved										
0x0110	XDMAC_CIE3	7:0		ROIE	WBIE	RBIE	FIE	DIE	LIE	BIE	
		15:8									
		23:16									
		31:24									
0x0114	XDMAC_CID3	7:0		ROID	WBEID	RBEID	FID	DID	LID	BID	
		15:8									
		23:16									
		31:24									
0x0118	XDMAC_CIM3	7:0		ROIM	WBEIM	RBEIM	FIM	DIM	LIM	BIM	
		15:8									
		23:16									
		31:24									
0x011C	XDMAC_CIS3	7:0		ROIS	WBEIS	RBEIS	FIS	DIS	LIS	BIS	
		15:8									
		23:16									
		31:24									
0x0120	XDMAC_CSA3	7:0	SA[7:0]								
		15:8	SA[15:8]								
		23:16	SA[23:16]								
		31:24	SA[31:24]								
0x0124	XDMAC_CDA3	7:0	DA[7:0]								
		15:8	DA[15:8]								
		23:16	DA[23:16]								
		31:24	DA[31:24]								
0x0128	XDMAC_CNDA3	7:0	NDA[5:0]						NDAIF		
		15:8	NDA[13:6]								
		23:16	NDA[21:14]								
		31:24	NDA[29:22]								
0x012C	XDMAC_CND3	7:0				NDVIEW[1:0]		NDDUP	NDSUP	NDE	
		15:8									
		23:16									
		31:24									
0x0130	XDMAC_CUB3	7:0	UBLEN[7:0]								
		15:8	UBLEN[15:8]								
		23:16	UBLEN[23:16]								
		31:24									
0x0134	XDMAC_CBC3	7:0	BLEN[7:0]								
		15:8				BLEN[11:8]					
		23:16									
		31:24									
0x0138	XDMAC_CC3	7:0	MEMSET	SWREQ	PROT	DSYNC	MBSIZE[1:0]			TYPE	
		15:8		DIF	SIF	DWIDTH[1:0]			CSIZE[2:0]		
		23:16	WRIP	RDIP	INITD				DAM[1:0]	SAM[1:0]	
		31:24	PERID[6:0]								



.....continued											
Offset	Name	Bit Pos.	7	6	5	4	3	2	1	0	
0x013C	XDMAC_CDS_MSP3	7:0	SDS_MSP[7:0]								
		15:8	SDS_MSP[15:8]								
		23:16	DDS_MSP[7:0]								
		31:24	DDS_MSP[15:8]								
0x0140	XDMAC_CSUS3	7:0	SUBS[7:0]								
		15:8	SUBS[15:8]								
		23:16	SUBS[23:16]								
		31:24									
0x0144	XDMAC_CDU3	7:0	DUBS[7:0]								
		15:8	DUBS[15:8]								
		23:16	DUBS[23:16]								
		31:24									
0x0148 ... 0x014F	Reserved										
0x0150	XDMAC_CIE4	7:0		ROIE	WBIE	RBIE	FIE	DIE	LIE	BIE	
		15:8									
		23:16									
		31:24									
0x0154	XDMAC_CID4	7:0		ROID	WBEID	RBEID	FID	DID	LID	BID	
		15:8									
		23:16									
		31:24									
0x0158	XDMAC_CIM4	7:0		ROIM	WBEIM	RBEIM	FIM	DIM	LIM	BIM	
		15:8									
		23:16									
		31:24									
0x015C	XDMAC_CIS4	7:0		ROIS	WBEIS	RBEIS	FIS	DIS	LIS	BIS	
		15:8									
		23:16									
		31:24									
0x0160	XDMAC_CSA4	7:0	SA[7:0]								
		15:8	SA[15:8]								
		23:16	SA[23:16]								
		31:24	SA[31:24]								
0x0164	XDMAC_CDA4	7:0	DA[7:0]								
		15:8	DA[15:8]								
		23:16	DA[23:16]								
		31:24	DA[31:24]								
0x0168	XDMAC_CNDA4	7:0	NDA[5:0]								NDAIF
		15:8	NDA[13:6]								
		23:16	NDA[21:14]								
		31:24	NDA[29:22]								
0x016C	XDMAC_CND4	7:0				NDVIEW[1:0]		NDDUP	NDSUP	NDE	
		15:8									
		23:16									
		31:24									
0x0170	XDMAC_CUBC4	7:0	UBLEN[7:0]								
		15:8	UBLEN[15:8]								
		23:16	UBLEN[23:16]								
		31:24									
0x0174	XDMAC_CBC4	7:0	BLEN[7:0]								
		15:8					BLEN[11:8]				
		23:16									
		31:24									
0x0178	XDMAC_CC4	7:0	MEMSET	SWREQ	PROT	DSYNC		MBSIZE[1:0]		TYPE	
		15:8		DIF	SIF	DWIDTH[1:0]		CSIZE[2:0]			
		23:16	WRIP	RDIP	INITD		DAM[1:0]		SAM[1:0]		
		31:24		PERID[6:0]							

.....continued

Offset	Name	Bit Pos.	7	6	5	4	3	2	1	0	
0x017C	XDMAC_CDS_MSP4	7:0	SDS_MSP[7:0]								
		15:8	SDS_MSP[15:8]								
		23:16	DDS_MSP[7:0]								
		31:24	DDS_MSP[15:8]								
0x0180	XDMAC_CSUS4	7:0	SUBS[7:0]								
		15:8	SUBS[15:8]								
		23:16	SUBS[23:16]								
		31:24									
0x0184	XDMAC_CDUS4	7:0	DUBS[7:0]								
		15:8	DUBS[15:8]								
		23:16	DUBS[23:16]								
		31:24									
0x0188 ... 0x018F	Reserved										
0x0190	XDMAC_CIE5	7:0		ROIE	WBIE	RBIE	FIE	DIE	LIE	BIE	
		15:8									
		23:16									
		31:24									
0x0194	XDMAC_CID5	7:0		ROID	WBEID	RBEID	FID	DID	LID	BID	
		15:8									
		23:16									
		31:24									
0x0198	XDMAC_CIM5	7:0		ROIM	WBEIM	RBEIM	FIM	DIM	LIM	BIM	
		15:8									
		23:16									
		31:24									
0x019C	XDMAC_CIS5	7:0		ROIS	WBEIS	RBEIS	FIS	DIS	LIS	BIS	
		15:8									
		23:16									
		31:24									
0x01A0	XDMAC_CSA5	7:0	SA[7:0]								
		15:8	SA[15:8]								
		23:16	SA[23:16]								
		31:24	SA[31:24]								
0x01A4	XDMAC_CDA5	7:0	DA[7:0]								
		15:8	DA[15:8]								
		23:16	DA[23:16]								
		31:24	DA[31:24]								
0x01A8	XDMAC_CNDA5	7:0	NDA[5:0]								NDAIF
		15:8	NDA[13:6]								
		23:16	NDA[21:14]								
		31:24	NDA[29:22]								
0x01AC	XDMAC_CND5	7:0				NDVIEW[1:0]		NDDUP	NDSUP	NDE	
		15:8									
		23:16									
		31:24									
0x01B0	XDMAC_CUBC5	7:0	UBLEN[7:0]								
		15:8	UBLEN[15:8]								
		23:16	UBLEN[23:16]								
		31:24									
0x01B4	XDMAC_CBC5	7:0	BLEN[7:0]								
		15:8				BLEN[11:8]					
		23:16									
		31:24									
0x01B8	XDMAC_CC5	7:0	MEMSET	SWREQ	PROT	DSYNC			MBSIZE[1:0]	TYPE	
		15:8		DIF	SIF	DWIDTH[1:0]		CSIZE[2:0]			
		23:16	WRIP	RDIP	INITD				DAM[1:0]	SAM[1:0]	
		31:24	PERID[6:0]								

.....continued											
Offset	Name	Bit Pos.	7	6	5	4	3	2	1	0	
0x01BC	XDMAC_CDS_MSP5	7:0	SDS_MSP[7:0]								
		15:8	SDS_MSP[15:8]								
		23:16	DDS_MSP[7:0]								
		31:24	DDS_MSP[15:8]								
0x01C0	XDMAC_CSUS5	7:0	SUBS[7:0]								
		15:8	SUBS[15:8]								
		23:16	SUBS[23:16]								
		31:24									
0x01C4	XDMAC_CDU55	7:0	DUBS[7:0]								
		15:8	DUBS[15:8]								
		23:16	DUBS[23:16]								
		31:24									
0x01C8 ... 0x01CF	Reserved										
0x01D0	XDMAC_CIE6	7:0		ROIE	WBIE	RBIE	FIE	DIE	LIE	BIE	
		15:8									
		23:16									
		31:24									
0x01D4	XDMAC_CID6	7:0		ROID	WBEID	RBEID	FID	DID	LID	BID	
		15:8									
		23:16									
		31:24									
0x01D8	XDMAC_CIM6	7:0		ROIM	WBEIM	RBEIM	FIM	DIM	LIM	BIM	
		15:8									
		23:16									
		31:24									
0x01DC	XDMAC_CIS6	7:0		ROIS	WBEIS	RBEIS	FIS	DIS	LIS	BIS	
		15:8									
		23:16									
		31:24									
0x01E0	XDMAC_CSA6	7:0	SA[7:0]								
		15:8	SA[15:8]								
		23:16	SA[23:16]								
		31:24	SA[31:24]								
0x01E4	XDMAC_CDA6	7:0	DA[7:0]								
		15:8	DA[15:8]								
		23:16	DA[23:16]								
		31:24	DA[31:24]								
0x01E8	XDMAC_CNDA6	7:0	NDA[5:0]								NDAIF
		15:8	NDA[13:6]								
		23:16	NDA[21:14]								
		31:24	NDA[29:22]								
0x01EC	XDMAC_CNDC6	7:0				NDVIEW[1:0]		NDDUP	NDSUP	NDE	
		15:8									
		23:16									
		31:24									
0x01F0	XDMAC_CUBC6	7:0	UBLEN[7:0]								
		15:8	UBLEN[15:8]								
		23:16	UBLEN[23:16]								
		31:24									
0x01F4	XDMAC_CBC6	7:0	BLEN[7:0]								
		15:8	BLEN[11:8]								
		23:16									
		31:24									
0x01F8	XDMAC_CC6	7:0	MEMSET	SWREQ	PROT	DSYNC		MBSIZE[1:0]		TYPE	
		15:8		DIF	SIF	DWIDTH[1:0]		CSIZE[2:0]			
		23:16	WRIP	RDIP	INITD		DAM[1:0]		SAM[1:0]		
		31:24	PERID[6:0]								

.....continued											
Offset	Name	Bit Pos.	7	6	5	4	3	2	1	0	
0x01FC	XDMAC_CDS_MSP6	7:0	SDS_MSP[7:0]								
		15:8	SDS_MSP[15:8]								
		23:16	DDS_MSP[7:0]								
		31:24	DDS_MSP[15:8]								
0x0200	XDMAC_CSUS6	7:0	SUBS[7:0]								
		15:8	SUBS[15:8]								
		23:16	SUBS[23:16]								
		31:24									
0x0204	XDMAC_CDU56	7:0	DUBS[7:0]								
		15:8	DUBS[15:8]								
		23:16	DUBS[23:16]								
		31:24									
0x0208 ... 0x020F	Reserved										
0x0210	XDMAC_CIE7	7:0		ROIE	WBIE	RBIE	FIE	DIE	LIE	BIE	
		15:8									
		23:16									
		31:24									
0x0214	XDMAC_CID7	7:0		ROID	WBEID	RBEID	FID	DID	LID	BID	
		15:8									
		23:16									
		31:24									
0x0218	XDMAC_CIM7	7:0		ROIM	WBEIM	RBEIM	FIM	DIM	LIM	BIM	
		15:8									
		23:16									
		31:24									
0x021C	XDMAC_CIS7	7:0		ROIS	WBEIS	RBEIS	FIS	DIS	LIS	BIS	
		15:8									
		23:16									
		31:24									
0x0220	XDMAC_CSA7	7:0	SA[7:0]								
		15:8	SA[15:8]								
		23:16	SA[23:16]								
		31:24	SA[31:24]								
0x0224	XDMAC_CDA7	7:0	DA[7:0]								
		15:8	DA[15:8]								
		23:16	DA[23:16]								
		31:24	DA[31:24]								
0x0228	XDMAC_CNDA7	7:0	NDA[5:0]								NDAIF
		15:8	NDA[13:6]								
		23:16	NDA[21:14]								
		31:24	NDA[29:22]								
0x022C	XDMAC_CNDC7	7:0				NDVIEW[1:0]		NDDUP	NDSUP	NDE	
		15:8									
		23:16									
		31:24									
0x0230	XDMAC_CUBC7	7:0	UBLEN[7:0]								
		15:8	UBLEN[15:8]								
		23:16	UBLEN[23:16]								
		31:24									
0x0234	XDMAC_CBC7	7:0	BLEN[7:0]								
		15:8	BLEN[11:8]								
		23:16									
		31:24									
0x0238	XDMAC_CC7	7:0	MEMSET	SWREQ	PROT	DSYNC		MBSIZE[1:0]		TYPE	
		15:8		DIF	SIF	DWIDTH[1:0]		CSIZE[2:0]			
		23:16	WRIP	RDIP	INITD		DAM[1:0]		SAM[1:0]		
		31:24	PERID[6:0]								

.....continued											
Offset	Name	Bit Pos.	7	6	5	4	3	2	1	0	
0x023C	XDMAC_CDS_MSP7	7:0	SDS_MSP[7:0]								
		15:8	SDS_MSP[15:8]								
		23:16	DDS_MSP[7:0]								
		31:24	DDS_MSP[15:8]								
0x0240	XDMAC_CSUS7	7:0	SUBS[7:0]								
		15:8	SUBS[15:8]								
		23:16	SUBS[23:16]								
		31:24									
0x0244	XDMAC_CDU57	7:0	DUBS[7:0]								
		15:8	DUBS[15:8]								
		23:16	DUBS[23:16]								
		31:24									
0x0248 ... 0x024F	Reserved										
0x0250	XDMAC_CIE8	7:0		ROIE	WBIE	RBIE	FIE	DIE	LIE	BIE	
		15:8									
		23:16									
		31:24									
0x0254	XDMAC_CID8	7:0		ROID	WBEID	RBEID	FID	DID	LID	BID	
		15:8									
		23:16									
		31:24									
0x0258	XDMAC_CIM8	7:0		ROIM	WBEIM	RBEIM	FIM	DIM	LIM	BIM	
		15:8									
		23:16									
		31:24									
0x025C	XDMAC_CIS8	7:0		ROIS	WBEIS	RBEIS	FIS	DIS	LIS	BIS	
		15:8									
		23:16									
		31:24									
0x0260	XDMAC_CSA8	7:0	SA[7:0]								
		15:8	SA[15:8]								
		23:16	SA[23:16]								
		31:24	SA[31:24]								
0x0264	XDMAC_CDA8	7:0	DA[7:0]								
		15:8	DA[15:8]								
		23:16	DA[23:16]								
		31:24	DA[31:24]								
0x0268	XDMAC_CNDA8	7:0	NDA[5:0]						NDAIF		
		15:8	NDA[13:6]								
		23:16	NDA[21:14]								
		31:24	NDA[29:22]								
0x026C	XDMAC_CNDC8	7:0				NDVIEW[1:0]		NDDUP	NDSUP	NDE	
		15:8									
		23:16									
		31:24									
0x0270	XDMAC_CUBC8	7:0	UBLEN[7:0]								
		15:8	UBLEN[15:8]								
		23:16	UBLEN[23:16]								
		31:24									
0x0274	XDMAC_CBC8	7:0	BLEN[7:0]								
		15:8				BLEN[11:8]					
		23:16									
		31:24									
0x0278	XDMAC_CC8	7:0	MEMSET	SWREQ	PROT	DSYNC	MBSIZE[1:0]		TYPE		
		15:8		DIF	SIF	DWIDTH[1:0]		CSIZE[2:0]			
		23:16	WRIP	RDIP	INITD	DAM[1:0]			SAM[1:0]		
		31:24	PERID[6:0]								

.....continued											
Offset	Name	Bit Pos.	7	6	5	4	3	2	1	0	
0x027C	XDMAC_CDS_MSP8	7:0	SDS_MSP[7:0]								
		15:8	SDS_MSP[15:8]								
		23:16	DDS_MSP[7:0]								
		31:24	DDS_MSP[15:8]								
0x0280	XDMAC_CSUS8	7:0	SUBS[7:0]								
		15:8	SUBS[15:8]								
		23:16	SUBS[23:16]								
		31:24									
0x0284	XDMAC_CDU8	7:0	DUBS[7:0]								
		15:8	DUBS[15:8]								
		23:16	DUBS[23:16]								
		31:24									
0x0288 ... 0x028F	Reserved										
0x0290	XDMAC_CIE9	7:0		ROIE	WBIE	RBIE	FIE	DIE	LIE	BIE	
		15:8									
		23:16									
		31:24									
0x0294	XDMAC_CID9	7:0		ROID	WBEID	RBEID	FID	DID	LID	BID	
		15:8									
		23:16									
		31:24									
0x0298	XDMAC_CIM9	7:0		ROIM	WBEIM	RBEIM	FIM	DIM	LIM	BIM	
		15:8									
		23:16									
		31:24									
0x029C	XDMAC_CIS9	7:0		ROIS	WBEIS	RBEIS	FIS	DIS	LIS	BIS	
		15:8									
		23:16									
		31:24									
0x02A0	XDMAC_CSA9	7:0	SA[7:0]								
		15:8	SA[15:8]								
		23:16	SA[23:16]								
		31:24	SA[31:24]								
0x02A4	XDMAC_CDA9	7:0	DA[7:0]								
		15:8	DA[15:8]								
		23:16	DA[23:16]								
		31:24	DA[31:24]								
0x02A8	XDMAC_CNDA9	7:0	NDA[5:0]								NDAIF
		15:8	NDA[13:6]								
		23:16	NDA[21:14]								
		31:24	NDA[29:22]								
0x02AC	XDMAC_CNDC9	7:0				NDVIEW[1:0]		NDDUP	NDSUP	NDE	
		15:8									
		23:16									
		31:24									
0x02B0	XDMAC_CUBC9	7:0	UBLEN[7:0]								
		15:8	UBLEN[15:8]								
		23:16	UBLEN[23:16]								
		31:24									
0x02B4	XDMAC_CBC9	7:0	BLEN[7:0]								
		15:8					BLEN[11:8]				
		23:16									
		31:24									
0x02B8	XDMAC_CC9	7:0	MEMSET	SWREQ	PROT	DSYNC		MBSIZE[1:0]		TYPE	
		15:8		DIF	SIF	DWIDTH[1:0]		CSIZE[2:0]			
		23:16	WRIP	RDIP	INITD		DAM[1:0]		SAM[1:0]		
		31:24		PERID[6:0]							

.....continued											
Offset	Name	Bit Pos.	7	6	5	4	3	2	1	0	
0x02BC	XDMAC_CDS_MSP9	7:0	SDS_MSP[7:0]								
		15:8	SDS_MSP[15:8]								
		23:16	DDS_MSP[7:0]								
		31:24	DDS_MSP[15:8]								
0x02C0	XDMAC_CSUS9	7:0	SUBS[7:0]								
		15:8	SUBS[15:8]								
		23:16	SUBS[23:16]								
		31:24									
0x02C4	XDMAC_CDU9	7:0	DUBS[7:0]								
		15:8	DUBS[15:8]								
		23:16	DUBS[23:16]								
		31:24									
0x02C8 ... 0x02CF	Reserved										
0x02D0	XDMAC_CIE10	7:0		ROIE	WBIE	RBIE	FIE	DIE	LIE	BIE	
		15:8									
		23:16									
		31:24									
0x02D4	XDMAC_CID10	7:0		ROID	WBEID	RBEID	FID	DID	LID	BID	
		15:8									
		23:16									
		31:24									
0x02D8	XDMAC_CIM10	7:0		ROIM	WBEIM	RBEIM	FIM	DIM	LIM	BIM	
		15:8									
		23:16									
		31:24									
0x02DC	XDMAC_CIS10	7:0		ROIS	WBEIS	RBEIS	FIS	DIS	LIS	BIS	
		15:8									
		23:16									
		31:24									
0x02E0	XDMAC_CSA10	7:0	SA[7:0]								
		15:8	SA[15:8]								
		23:16	SA[23:16]								
		31:24	SA[31:24]								
0x02E4	XDMAC_CDA10	7:0	DA[7:0]								
		15:8	DA[15:8]								
		23:16	DA[23:16]								
		31:24	DA[31:24]								
0x02E8	XDMAC_CNDA10	7:0	NDA[5:0]						NDAIF		
		15:8	NDA[13:6]								
		23:16	NDA[21:14]								
		31:24	NDA[29:22]								
0x02EC	XDMAC_CNDC10	7:0				NDVIEW[1:0]		NDDUP	NDSUP	NDE	
		15:8									
		23:16									
		31:24									
0x02F0	XDMAC_CUBC10	7:0	UBLEN[7:0]								
		15:8	UBLEN[15:8]								
		23:16	UBLEN[23:16]								
		31:24									
0x02F4	XDMAC_CBC10	7:0	BLEN[7:0]								
		15:8				BLEN[11:8]					
		23:16									
		31:24									
0x02F8	XDMAC_CC10	7:0	MEMSET	SWREQ	PROT	DSYNC	MBSIZE[1:0]		TYPE		
		15:8		DIF	SIF	DWIDTH[1:0]		CSIZE[2:0]			
		23:16	WRIP	RDIP	INITD	DAM[1:0]			SAM[1:0]		
		31:24	PERID[6:0]								

.....continued

Offset	Name	Bit Pos.	7	6	5	4	3	2	1	0		
0x02FC	XDMAC_CDS_MSP10	7:0	SDS_MSP[7:0]									
		15:8	SDS_MSP[15:8]									
		23:16	DDS_MSP[7:0]									
		31:24	DDS_MSP[15:8]									
0x0300	XDMAC_CSUS10	7:0	SUBS[7:0]									
		15:8	SUBS[15:8]									
		23:16	SUBS[23:16]									
		31:24										
0x0304	XDMAC_CDUS10	7:0	DUBS[7:0]									
		15:8	DUBS[15:8]									
		23:16	DUBS[23:16]									
		31:24										
0x0308 ... 0x030F	Reserved											
0x0310	XDMAC_CIE11	7:0		ROIE	WBIE	RBIE	FIE	DIE	LIE	BIE		
		15:8										
		23:16										
		31:24										
0x0314	XDMAC_CID11	7:0		ROID	WBEID	RBEID	FID	DID	LID	BID		
		15:8										
		23:16										
		31:24										
0x0318	XDMAC_CIM11	7:0		ROIM	WBEIM	RBEIM	FIM	DIM	LIM	BIM		
		15:8										
		23:16										
		31:24										
0x031C	XDMAC_CIS11	7:0		ROIS	WBEIS	RBEIS	FIS	DIS	LIS	BIS		
		15:8										
		23:16										
		31:24										
0x0320	XDMAC_CSA11	7:0	SA[7:0]									
		15:8	SA[15:8]									
		23:16	SA[23:16]									
		31:24	SA[31:24]									
0x0324	XDMAC_CDA11	7:0	DA[7:0]									
		15:8	DA[15:8]									
		23:16	DA[23:16]									
		31:24	DA[31:24]									
0x0328	XDMAC_CNDA11	7:0	NDA[5:0]								NDAIF	
		15:8	NDA[13:6]									
		23:16	NDA[21:14]									
		31:24	NDA[29:22]									
0x032C	XDMAC_CNDC11	7:0				NDVIEW[1:0]		NDDUP	NDSUP	NDE		
		15:8										
		23:16										
		31:24										
0x0330	XDMAC_CUBC11	7:0	UBLEN[7:0]									
		15:8	UBLEN[15:8]									
		23:16	UBLEN[23:16]									
		31:24										
0x0334	XDMAC_CBC11	7:0	BLEN[7:0]									
		15:8					BLEN[11:8]					
		23:16										
		31:24										
0x0338	XDMAC_CC11	7:0	MEMSET	SWREQ	PROT	DSYNC			MBSIZE[1:0]	TYPE		
		15:8		DIF	SIF	DWIDTH[1:0]		CSIZE[2:0]				
		23:16	WRIP	RDIP	INITD			DAM[1:0]		SAM[1:0]		
		31:24	PERID[6:0]									



.....continued

Offset	Name	Bit Pos.	7	6	5	4	3	2	1	0	
0x033C	XDMAC_CDS_MSP1 1	7:0	SDS_MSP[7:0]								
		15:8	SDS_MSP[15:8]								
		23:16	DDS_MSP[7:0]								
		31:24	DDS_MSP[15:8]								
0x0340	XDMAC_CSUS11	7:0	SUBS[7:0]								
		15:8	SUBS[15:8]								
		23:16	SUBS[23:16]								
		31:24									
0x0344	XDMAC_CDUS11	7:0	DUBS[7:0]								
		15:8	DUBS[15:8]								
		23:16	DUBS[23:16]								
		31:24									
0x0348 ... 0x034F	Reserved										
0x0350	XDMAC_CIE12	7:0		ROIE	WBIE	RBIE	FIE	DIE	LIE	BIE	
		15:8									
		23:16									
		31:24									
0x0354	XDMAC_CID12	7:0		ROID	WBEID	RBEID	FID	DID	LID	BID	
		15:8									
		23:16									
		31:24									
0x0358	XDMAC_CIM12	7:0		ROIM	WBEIM	RBEIM	FIM	DIM	LIM	BIM	
		15:8									
		23:16									
		31:24									
0x035C	XDMAC_CIS12	7:0		ROIS	WBEIS	RBEIS	FIS	DIS	LIS	BIS	
		15:8									
		23:16									
		31:24									
0x0360	XDMAC_CSA12	7:0	SA[7:0]								
		15:8	SA[15:8]								
		23:16	SA[23:16]								
		31:24	SA[31:24]								
0x0364	XDMAC_CDA12	7:0	DA[7:0]								
		15:8	DA[15:8]								
		23:16	DA[23:16]								
		31:24	DA[31:24]								
0x0368	XDMAC_CNDA12	7:0	NDA[5:0]								NDAIF
		15:8	NDA[13:6]								
		23:16	NDA[21:14]								
		31:24	NDA[29:22]								
0x036C	XDMAC_CNDC12	7:0				NDVIEW[1:0]		NDDUP	NDSUP	NDE	
		15:8									
		23:16									
		31:24									
0x0370	XDMAC_CUBC12	7:0	UBLEN[7:0]								
		15:8	UBLEN[15:8]								
		23:16	UBLEN[23:16]								
		31:24									
0x0374	XDMAC_CBC12	7:0	BLEN[7:0]								
		15:8				BLEN[11:8]					
		23:16									
		31:24									
0x0378	XDMAC_CC12	7:0	MEMSET	SWREQ	PROT	DSYNC			MBSIZE[1:0]	TYPE	
		15:8		DIF	SIF	DWIDTH[1:0]		CSIZE[2:0]			
		23:16	WRIP	RDIP	INITD				DAM[1:0]	SAM[1:0]	
		31:24	PERID[6:0]								

.....continued											
Offset	Name	Bit Pos.	7	6	5	4	3	2	1	0	
0x037C	XDMAC_CDS_MSP1 2	7:0	SDS_MSP[7:0]								
		15:8	SDS_MSP[15:8]								
		23:16	DDS_MSP[7:0]								
		31:24	DDS_MSP[15:8]								
0x0380	XDMAC_CSUS12	7:0	SUBS[7:0]								
		15:8	SUBS[15:8]								
		23:16	SUBS[23:16]								
		31:24									
0x0384	XDMAC_CDUS12	7:0	DUBS[7:0]								
		15:8	DUBS[15:8]								
		23:16	DUBS[23:16]								
		31:24									
0x0388 ... 0x038F	Reserved										
0x0390	XDMAC_CIE13	7:0		ROIE	WBIE	RBIE	FIE	DIE	LIE	BIE	
		15:8									
		23:16									
		31:24									
0x0394	XDMAC_CID13	7:0		ROID	WBEID	RBEID	FID	DID	LID	BID	
		15:8									
		23:16									
		31:24									
0x0398	XDMAC_CIM13	7:0		ROIM	WBEIM	RBEIM	FIM	DIM	LIM	BIM	
		15:8									
		23:16									
		31:24									
0x039C	XDMAC_CIS13	7:0		ROIS	WBEIS	RBEIS	FIS	DIS	LIS	BIS	
		15:8									
		23:16									
		31:24									
0x03A0	XDMAC_CSA13	7:0	SA[7:0]								
		15:8	SA[15:8]								
		23:16	SA[23:16]								
		31:24	SA[31:24]								
0x03A4	XDMAC_CDA13	7:0	DA[7:0]								
		15:8	DA[15:8]								
		23:16	DA[23:16]								
		31:24	DA[31:24]								
0x03A8	XDMAC_CNDA13	7:0	NDA[5:0]								NDAIF
		15:8	NDA[13:6]								
		23:16	NDA[21:14]								
		31:24	NDA[29:22]								
0x03AC	XDMAC_CNDC13	7:0				NDVIEW[1:0]		NDDUP	NDSUP	NDE	
		15:8									
		23:16									
		31:24									
0x03B0	XDMAC_CUBC13	7:0	UBLEN[7:0]								
		15:8	UBLEN[15:8]								
		23:16	UBLEN[23:16]								
		31:24									
0x03B4	XDMAC_CBC13	7:0	BLEN[7:0]								
		15:8					BLEN[11:8]				
		23:16									
		31:24									
0x03B8	XDMAC_CC13	7:0	MEMSET	SWREQ	PROT	DSYNC		MBSIZE[1:0]		TYPE	
		15:8		DIF	SIF	DWIDTH[1:0]		CSIZE[2:0]			
		23:16	WRIP	RDIP	INITD		DAM[1:0]		SAM[1:0]		
		31:24		PERID[6:0]							

.....continued

Offset	Name	Bit Pos.	7	6	5	4	3	2	1	0		
0x03BC	XDMAC_CDS_MSP1 3	7:0	SDS_MSP[7:0]									
		15:8	SDS_MSP[15:8]									
		23:16	DDS_MSP[7:0]									
		31:24	DDS_MSP[15:8]									
0x03C0	XDMAC_CSUS13	7:0	SUBS[7:0]									
		15:8	SUBS[15:8]									
		23:16	SUBS[23:16]									
		31:24										
0x03C4	XDMAC_CDUS13	7:0	DUBS[7:0]									
		15:8	DUBS[15:8]									
		23:16	DUBS[23:16]									
		31:24										
0x03C8 ... 0x03CF	Reserved											
0x03D0	XDMAC_CIE14	7:0		ROIE	WBIE	RBIE	FIE	DIE	LIE	BIE		
		15:8										
		23:16										
		31:24										
0x03D4	XDMAC_CID14	7:0		ROID	WBEID	RBEID	FID	DID	LID	BID		
		15:8										
		23:16										
		31:24										
0x03D8	XDMAC_CIM14	7:0		ROIM	WBEIM	RBEIM	FIM	DIM	LIM	BIM		
		15:8										
		23:16										
		31:24										
0x03DC	XDMAC_CIS14	7:0		ROIS	WBEIS	RBEIS	FIS	DIS	LIS	BIS		
		15:8										
		23:16										
		31:24										
0x03E0	XDMAC_CSA14	7:0	SA[7:0]									
		15:8	SA[15:8]									
		23:16	SA[23:16]									
		31:24	SA[31:24]									
0x03E4	XDMAC_CDA14	7:0	DA[7:0]									
		15:8	DA[15:8]									
		23:16	DA[23:16]									
		31:24	DA[31:24]									
0x03E8	XDMAC_CNDA14	7:0	NDA[5:0]								NDAIF	
		15:8	NDA[13:6]									
		23:16	NDA[21:14]									
		31:24	NDA[29:22]									
0x03EC	XDMAC_CNDC14	7:0				NDVIEW[1:0]		NDDUP	NDSUP	NDE		
		15:8										
		23:16										
		31:24										
0x03F0	XDMAC_CUBC14	7:0	UBLEN[7:0]									
		15:8	UBLEN[15:8]									
		23:16	UBLEN[23:16]									
		31:24										
0x03F4	XDMAC_CBC14	7:0	BLEN[7:0]									
		15:8					BLEN[11:8]					
		23:16										
		31:24										
0x03F8	XDMAC_CC14	7:0	MEMSET	SWREQ	PROT	DSYNC			MBSIZE[1:0]	TYPE		
		15:8		DIF	SIF	DWIDTH[1:0]		CSIZE[2:0]				
		23:16	WRIP	RDIP	INITD			DAM[1:0]		SAM[1:0]		
		31:24	PERID[6:0]									

.....continued

Offset	Name	Bit Pos.	7	6	5	4	3	2	1	0	
0x03FC	XDMAC_CDS_MSP14	7:0	SDS_MSP[7:0]								
		15:8	SDS_MSP[15:8]								
		23:16	DDS_MSP[7:0]								
		31:24	DDS_MSP[15:8]								
0x0400	XDMAC_CSUS14	7:0	SUBS[7:0]								
		15:8	SUBS[15:8]								
		23:16	SUBS[23:16]								
		31:24									
0x0404	XDMAC_CDUS14	7:0	DUBS[7:0]								
		15:8	DUBS[15:8]								
		23:16	DUBS[23:16]								
		31:24									
0x0408 ... 0x040F	Reserved										
0x0410	XDMAC_CIE15	7:0		ROIE	WBIE	RBIE	FIE	DIE	LIE	BIE	
		15:8									
		23:16									
		31:24									
0x0414	XDMAC_CID15	7:0		ROID	WBEID	RBEID	FID	DID	LID	BID	
		15:8									
		23:16									
		31:24									
0x0418	XDMAC_CIM15	7:0		ROIM	WBEIM	RBEIM	FIM	DIM	LIM	BIM	
		15:8									
		23:16									
		31:24									
0x041C	XDMAC_CIS15	7:0		ROIS	WBEIS	RBEIS	FIS	DIS	LIS	BIS	
		15:8									
		23:16									
		31:24									
0x0420	XDMAC_CSA15	7:0	SA[7:0]								
		15:8	SA[15:8]								
		23:16	SA[23:16]								
		31:24	SA[31:24]								
0x0424	XDMAC_CDA15	7:0	DA[7:0]								
		15:8	DA[15:8]								
		23:16	DA[23:16]								
		31:24	DA[31:24]								
0x0428	XDMAC_CNDA15	7:0	NDA[5:0]						NDAIF		
		15:8	NDA[13:6]								
		23:16	NDA[21:14]								
		31:24	NDA[29:22]								
0x042C	XDMAC_CNDC15	7:0				NDVIEW[1:0]		NDDUP	NDSUP	NDE	
		15:8									
		23:16									
		31:24									
0x0430	XDMAC_CUBC15	7:0	UBLEN[7:0]								
		15:8	UBLEN[15:8]								
		23:16	UBLEN[23:16]								
		31:24									
0x0434	XDMAC_CBC15	7:0	BLEN[7:0]								
		15:8				BLEN[11:8]					
		23:16									
		31:24									
0x0438	XDMAC_CC15	7:0	MEMSET	SWREQ	PROT	DSYNC	MBSIZE[1:0]			TYPE	
		15:8		DIF	SIF	DWIDTH[1:0]		CSIZE[2:0]			
		23:16	WRIP	RDIP	INITD	DAM[1:0]			SAM[1:0]		
		31:24	PERID[6:0]								

.....continued											
Offset	Name	Bit Pos.	7	6	5	4	3	2	1	0	
0x043C	XDMAC_CDS_MSP15	7:0	SDS_MSP[7:0]								
		15:8	SDS_MSP[15:8]								
		23:16	DDS_MSP[7:0]								
		31:24	DDS_MSP[15:8]								
0x0440	XDMAC_CSUS15	7:0	SUBS[7:0]								
		15:8	SUBS[15:8]								
		23:16	SUBS[23:16]								
		31:24									
0x0444	XDMAC_CDUS15	7:0	DUBS[7:0]								
		15:8	DUBS[15:8]								
		23:16	DUBS[23:16]								
		31:24									
0x0448 ... 0x044F	Reserved										
0x0450	XDMAC_CIE16	7:0		ROIE	WBIE	RBIE	FIE	DIE	LIE	BIE	
		15:8									
		23:16									
		31:24									
0x0454	XDMAC_CID16	7:0		ROID	WBEID	RBEID	FID	DID	LID	BID	
		15:8									
		23:16									
		31:24									
0x0458	XDMAC_CIM16	7:0		ROIM	WBEIM	RBEIM	FIM	DIM	LIM	BIM	
		15:8									
		23:16									
		31:24									
0x045C	XDMAC_CIS16	7:0		ROIS	WBEIS	RBEIS	FIS	DIS	LIS	BIS	
		15:8									
		23:16									
		31:24									
0x0460	XDMAC_CSA16	7:0	SA[7:0]								
		15:8	SA[15:8]								
		23:16	SA[23:16]								
		31:24	SA[31:24]								
0x0464	XDMAC_CDA16	7:0	DA[7:0]								
		15:8	DA[15:8]								
		23:16	DA[23:16]								
		31:24	DA[31:24]								
0x0468	XDMAC_CNDA16	7:0	NDA[5:0]								NDAIF
		15:8	NDA[13:6]								
		23:16	NDA[21:14]								
		31:24	NDA[29:22]								
0x046C	XDMAC_CNDC16	7:0					NDVIEW[1:0]		NDDUP	NDSUP	NDE
		15:8									
		23:16									
		31:24									
0x0470	XDMAC_CUBC16	7:0	UBLEN[7:0]								
		15:8	UBLEN[15:8]								
		23:16	UBLEN[23:16]								
		31:24									
0x0474	XDMAC_CBC16	7:0	BLEN[7:0]								
		15:8					BLEN[11:8]				
		23:16									
		31:24									
0x0478	XDMAC_CC16	7:0	MEMSET	SWREQ	PROT	DSYNC	MBSIZE[1:0]			TYPE	
		15:8		DIF	SIF	DWIDTH[1:0]		CSIZE[2:0]			
		23:16	WRIP	RDIP	INITD	DAM[1:0]			SAM[1:0]		
		31:24	PERID[6:0]								

.....continued

Offset	Name	Bit Pos.	7	6	5	4	3	2	1	0	
0x047C	XDMAC_CDS_MSP16	7:0	SDS_MSP[7:0]								
		15:8	SDS_MSP[15:8]								
		23:16	DDS_MSP[7:0]								
		31:24	DDS_MSP[15:8]								
0x0480	XDMAC_CSUS16	7:0	SUBS[7:0]								
		15:8	SUBS[15:8]								
		23:16	SUBS[23:16]								
		31:24									
0x0484	XDMAC_CDUS16	7:0	DUBS[7:0]								
		15:8	DUBS[15:8]								
		23:16	DUBS[23:16]								
		31:24									
0x0488 ... 0x048F	Reserved										
0x0490	XDMAC_CIE17	7:0		ROIE	WBIE	RBIE	FIE	DIE	LIE	BIE	
		15:8									
		23:16									
		31:24									
0x0494	XDMAC_CID17	7:0		ROID	WBEID	RBEID	FID	DID	LID	BID	
		15:8									
		23:16									
		31:24									
0x0498	XDMAC_CIM17	7:0		ROIM	WBEIM	RBEIM	FIM	DIM	LIM	BIM	
		15:8									
		23:16									
		31:24									
0x049C	XDMAC_CIS17	7:0		ROIS	WBEIS	RBEIS	FIS	DIS	LIS	BIS	
		15:8									
		23:16									
		31:24									
0x04A0	XDMAC_CSA17	7:0	SA[7:0]								
		15:8	SA[15:8]								
		23:16	SA[23:16]								
		31:24	SA[31:24]								
0x04A4	XDMAC_CDA17	7:0	DA[7:0]								
		15:8	DA[15:8]								
		23:16	DA[23:16]								
		31:24	DA[31:24]								
0x04A8	XDMAC_CNDA17	7:0	NDA[5:0]								NDAIF
		15:8	NDA[13:6]								
		23:16	NDA[21:14]								
		31:24	NDA[29:22]								
0x04AC	XDMAC_CNDC17	7:0				NDVIEW[1:0]		NDDUP	NDSUP	NDE	
		15:8									
		23:16									
		31:24									
0x04B0	XDMAC_CUBC17	7:0	UBLEN[7:0]								
		15:8	UBLEN[15:8]								
		23:16	UBLEN[23:16]								
		31:24									
0x04B4	XDMAC_CBC17	7:0	BLEN[7:0]								
		15:8					BLEN[11:8]				
		23:16									
		31:24									
0x04B8	XDMAC_CC17	7:0	MEMSET	SWREQ	PROT	DSYNC		MBSIZE[1:0]		TYPE	
		15:8		DIF	SIF	DWIDTH[1:0]		CSIZE[2:0]			
		23:16	WRIP	RDIP	INITD		DAM[1:0]		SAM[1:0]		
		31:24		PERID[6:0]							

.....continued											
Offset	Name	Bit Pos.	7	6	5	4	3	2	1	0	
0x04BC	XDMAC_CDS_MSP1 7	7:0	SDS_MSP[7:0]								
		15:8	SDS_MSP[15:8]								
		23:16	DDS_MSP[7:0]								
		31:24	DDS_MSP[15:8]								
0x04C0	XDMAC_CSUS17	7:0	SUBS[7:0]								
		15:8	SUBS[15:8]								
		23:16	SUBS[23:16]								
		31:24									
0x04C4	XDMAC_CDUS17	7:0	DUBS[7:0]								
		15:8	DUBS[15:8]								
		23:16	DUBS[23:16]								
		31:24									
0x04C8 ... 0x04CF	Reserved										
0x04D0	XDMAC_CIE18	7:0		ROIE	WBIE	RBIE	FIE	DIE	LIE	BIE	
		15:8									
		23:16									
		31:24									
0x04D4	XDMAC_CID18	7:0		ROID	WBEID	RBEID	FID	DID	LID	BID	
		15:8									
		23:16									
		31:24									
0x04D8	XDMAC_CIM18	7:0		ROIM	WBEIM	RBEIM	FIM	DIM	LIM	BIM	
		15:8									
		23:16									
		31:24									
0x04DC	XDMAC_CIS18	7:0		ROIS	WBEIS	RBEIS	FIS	DIS	LIS	BIS	
		15:8									
		23:16									
		31:24									
0x04E0	XDMAC_CSA18	7:0	SA[7:0]								
		15:8	SA[15:8]								
		23:16	SA[23:16]								
		31:24	SA[31:24]								
0x04E4	XDMAC_CDA18	7:0	DA[7:0]								
		15:8	DA[15:8]								
		23:16	DA[23:16]								
		31:24	DA[31:24]								
0x04E8	XDMAC_CNDA18	7:0	NDA[5:0]								NDAIF
		15:8	NDA[13:6]								
		23:16	NDA[21:14]								
		31:24	NDA[29:22]								
0x04EC	XDMAC_CNDC18	7:0				NDVIEW[1:0]		NDDUP	NDSUP	NDE	
		15:8									
		23:16									
		31:24									
0x04F0	XDMAC_CUBC18	7:0	UBLEN[7:0]								
		15:8	UBLEN[15:8]								
		23:16	UBLEN[23:16]								
		31:24									
0x04F4	XDMAC_CBC18	7:0	BLEN[7:0]								
		15:8					BLEN[11:8]				
		23:16									
		31:24									
0x04F8	XDMAC_CC18	7:0	MEMSET	SWREQ	PROT	DSYNC			MBSIZE[1:0]	TYPE	
		15:8		DIF	SIF	DWIDTH[1:0]		CSIZE[2:0]			
		23:16	WRIP	RDIP	INITD			DAM[1:0]	SAM[1:0]		
		31:24	PERID[6:0]								

.....continued

Offset	Name	Bit Pos.	7	6	5	4	3	2	1	0		
0x04FC	XDMAC_CDS_MSP18	7:0	SDS_MSP[7:0]									
		15:8	SDS_MSP[15:8]									
		23:16	DDS_MSP[7:0]									
		31:24	DDS_MSP[15:8]									
0x0500	XDMAC_CSUS18	7:0	SUBS[7:0]									
		15:8	SUBS[15:8]									
		23:16	SUBS[23:16]									
		31:24										
0x0504	XDMAC_CDUS18	7:0	DUBS[7:0]									
		15:8	DUBS[15:8]									
		23:16	DUBS[23:16]									
		31:24										
0x0508 ... 0x050F	Reserved											
0x0510	XDMAC_CIE19	7:0		ROIE	WBIE	RBIE	FIE	DIE	LIE	BIE		
		15:8										
		23:16										
		31:24										
0x0514	XDMAC_CID19	7:0		ROID	WBEID	RBEID	FID	DID	LID	BID		
		15:8										
		23:16										
		31:24										
0x0518	XDMAC_CIM19	7:0		ROIM	WBEIM	RBEIM	FIM	DIM	LIM	BIM		
		15:8										
		23:16										
		31:24										
0x051C	XDMAC_CIS19	7:0		ROIS	WBEIS	RBEIS	FIS	DIS	LIS	BIS		
		15:8										
		23:16										
		31:24										
0x0520	XDMAC_CSA19	7:0	SA[7:0]									
		15:8	SA[15:8]									
		23:16	SA[23:16]									
		31:24	SA[31:24]									
0x0524	XDMAC_CDA19	7:0	DA[7:0]									
		15:8	DA[15:8]									
		23:16	DA[23:16]									
		31:24	DA[31:24]									
0x0528	XDMAC_CNDA19	7:0	NDA[5:0]								NDAIF	
		15:8	NDA[13:6]									
		23:16	NDA[21:14]									
		31:24	NDA[29:22]									
0x052C	XDMAC_CNDC19	7:0				NDVIEW[1:0]		NDDUP	NDSUP	NDE		
		15:8										
		23:16										
		31:24										
0x0530	XDMAC_CUBC19	7:0	UBLEN[7:0]									
		15:8	UBLEN[15:8]									
		23:16	UBLEN[23:16]									
		31:24										
0x0534	XDMAC_CBC19	7:0	BLEN[7:0]									
		15:8					BLEN[11:8]					
		23:16										
		31:24										
0x0538	XDMAC_CC19	7:0	MEMSET	SWREQ	PROT	DSYNC			MBSIZE[1:0]	TYPE		
		15:8		DIF	SIF	DWIDTH[1:0]		CSIZE[2:0]				
		23:16	WRIP	RDIP	INITD			DAM[1:0]		SAM[1:0]		
		31:24	PERID[6:0]									



.....continued											
Offset	Name	Bit Pos.	7	6	5	4	3	2	1	0	
0x053C	XDMAC_CDS_MSP19	7:0	SDS_MSP[7:0]								
		15:8	SDS_MSP[15:8]								
		23:16	DDS_MSP[7:0]								
		31:24	DDS_MSP[15:8]								
0x0540	XDMAC_CSUS19	7:0	SUBS[7:0]								
		15:8	SUBS[15:8]								
		23:16	SUBS[23:16]								
		31:24									
0x0544	XDMAC_CDUS19	7:0	DUBS[7:0]								
		15:8	DUBS[15:8]								
		23:16	DUBS[23:16]								
		31:24									
0x0548 ... 0x054F	Reserved										
0x0550	XDMAC_CIE20	7:0		ROIE	WBIE	RBIE	FIE	DIE	LIE	BIE	
		15:8									
		23:16									
		31:24									
0x0554	XDMAC_CID20	7:0		ROID	WBEID	RBEID	FID	DID	LID	BID	
		15:8									
		23:16									
		31:24									
0x0558	XDMAC_CIM20	7:0		ROIM	WBEIM	RBEIM	FIM	DIM	LIM	BIM	
		15:8									
		23:16									
		31:24									
0x055C	XDMAC_CIS20	7:0		ROIS	WBEIS	RBEIS	FIS	DIS	LIS	BIS	
		15:8									
		23:16									
		31:24									
0x0560	XDMAC_CSA20	7:0	SA[7:0]								
		15:8	SA[15:8]								
		23:16	SA[23:16]								
		31:24	SA[31:24]								
0x0564	XDMAC_CDA20	7:0	DA[7:0]								
		15:8	DA[15:8]								
		23:16	DA[23:16]								
		31:24	DA[31:24]								
0x0568	XDMAC_CNDA20	7:0	NDA[5:0]								NDAIF
		15:8	NDA[13:6]								
		23:16	NDA[21:14]								
		31:24	NDA[29:22]								
0x056C	XDMAC_CNDC20	7:0				NDVIEW[1:0]		NDDUP	NDSUP	NDE	
		15:8									
		23:16									
		31:24									
0x0570	XDMAC_CUBC20	7:0	UBLEN[7:0]								
		15:8	UBLEN[15:8]								
		23:16	UBLEN[23:16]								
		31:24									
0x0574	XDMAC_CBC20	7:0	BLEN[7:0]								
		15:8	BLEN[11:8]								
		23:16									
		31:24									
0x0578	XDMAC_CC20	7:0	MEMSET	SWREQ	PROT	DSYNC	MBSIZE[1:0]		TYPE		
		15:8		DIF	SIF	DWIDTH[1:0]		CSIZE[2:0]			
		23:16	WRIP	RDIP	INITD			DAM[1:0]	SAM[1:0]		
		31:24	PERID[6:0]								

.....continued											
Offset	Name	Bit Pos.	7	6	5	4	3	2	1	0	
0x057C	XDMAC_CDS_MSP2 0	7:0	SDS_MSP[7:0]								
		15:8	SDS_MSP[15:8]								
		23:16	DDS_MSP[7:0]								
		31:24	DDS_MSP[15:8]								
0x0580	XDMAC_CSUS20	7:0	SUBS[7:0]								
		15:8	SUBS[15:8]								
		23:16	SUBS[23:16]								
		31:24									
0x0584	XDMAC_CDUS20	7:0	DUBS[7:0]								
		15:8	DUBS[15:8]								
		23:16	DUBS[23:16]								
		31:24									
0x0588 ... 0x058F	Reserved										
0x0590	XDMAC_CIE21	7:0		ROIE	WBIE	RBIE	FIE	DIE	LIE	BIE	
		15:8									
		23:16									
		31:24									
0x0594	XDMAC_CID21	7:0		ROID	WBEID	RBEID	FID	DID	LID	BID	
		15:8									
		23:16									
		31:24									
0x0598	XDMAC_CIM21	7:0		ROIM	WBEIM	RBEIM	FIM	DIM	LIM	BIM	
		15:8									
		23:16									
		31:24									
0x059C	XDMAC_CIS21	7:0		ROIS	WBEIS	RBEIS	FIS	DIS	LIS	BIS	
		15:8									
		23:16									
		31:24									
0x05A0	XDMAC_CSA21	7:0	SA[7:0]								
		15:8	SA[15:8]								
		23:16	SA[23:16]								
		31:24	SA[31:24]								
0x05A4	XDMAC_CDA21	7:0	DA[7:0]								
		15:8	DA[15:8]								
		23:16	DA[23:16]								
		31:24	DA[31:24]								
0x05A8	XDMAC_CNDA21	7:0	NDA[5:0]								NDAIF
		15:8	NDA[13:6]								
		23:16	NDA[21:14]								
		31:24	NDA[29:22]								
0x05AC	XDMAC_CNDC21	7:0				NDVIEW[1:0]		NDDUP	NDSUP	NDE	
		15:8									
		23:16									
		31:24									
0x05B0	XDMAC_CUBC21	7:0	UBLEN[7:0]								
		15:8	UBLEN[15:8]								
		23:16	UBLEN[23:16]								
		31:24									
0x05B4	XDMAC_CBC21	7:0	BLEN[7:0]								
		15:8				BLEN[11:8]					
		23:16									
		31:24									
0x05B8	XDMAC_CC21	7:0	MEMSET	SWREQ	PROT	DSYNC	MBSIZE[1:0]		TYPE		
		15:8		DIF	SIF	DWIDTH[1:0]		CSIZE[2:0]			
		23:16	WRIP	RDIP	INITD	DAM[1:0]			SAM[1:0]		
		31:24	PERID[6:0]								

.....continued

Offset	Name	Bit Pos.	7	6	5	4	3	2	1	0		
0x05BC	XDMAC_CDS_MSP2 1	7:0	SDS_MSP[7:0]									
		15:8	SDS_MSP[15:8]									
		23:16	DDS_MSP[7:0]									
		31:24	DDS_MSP[15:8]									
0x05C0	XDMAC_CSUS21	7:0	SUBS[7:0]									
		15:8	SUBS[15:8]									
		23:16	SUBS[23:16]									
		31:24										
0x05C4	XDMAC_CDUS21	7:0	DUBS[7:0]									
		15:8	DUBS[15:8]									
		23:16	DUBS[23:16]									
		31:24										
0x05C8 ... 0x05CF	Reserved											
0x05D0	XDMAC_CIE22	7:0		ROIE	WBIE	RBIE	FIE	DIE	LIE	BIE		
		15:8										
		23:16										
		31:24										
0x05D4	XDMAC_CID22	7:0		ROID	WBEID	RBEID	FID	DID	LID	BID		
		15:8										
		23:16										
		31:24										
0x05D8	XDMAC_CIM22	7:0		ROIM	WBEIM	RBEIM	FIM	DIM	LIM	BIM		
		15:8										
		23:16										
		31:24										
0x05DC	XDMAC_CIS22	7:0		ROIS	WBEIS	RBEIS	FIS	DIS	LIS	BIS		
		15:8										
		23:16										
		31:24										
0x05E0	XDMAC_CSA22	7:0	SA[7:0]									
		15:8	SA[15:8]									
		23:16	SA[23:16]									
		31:24	SA[31:24]									
0x05E4	XDMAC_CDA22	7:0	DA[7:0]									
		15:8	DA[15:8]									
		23:16	DA[23:16]									
		31:24	DA[31:24]									
0x05E8	XDMAC_CNDA22	7:0	NDA[5:0]								NDAIF	
		15:8	NDA[13:6]									
		23:16	NDA[21:14]									
		31:24	NDA[29:22]									
0x05EC	XDMAC_CNDC22	7:0				NDVIEW[1:0]		NDDUP	NDSUP	NDE		
		15:8										
		23:16										
		31:24										
0x05F0	XDMAC_CUBC22	7:0	UBLEN[7:0]									
		15:8	UBLEN[15:8]									
		23:16	UBLEN[23:16]									
		31:24										
0x05F4	XDMAC_CBC22	7:0	BLEN[7:0]									
		15:8					BLEN[11:8]					
		23:16										
		31:24										
0x05F8	XDMAC_CC22	7:0	MEMSET	SWREQ	PROT	DSYNC			MBSIZE[1:0]	TYPE		
		15:8		DIF	SIF	DWIDTH[1:0]		CSIZE[2:0]				
		23:16	WRIP	RDIP	INITD			DAM[1:0]		SAM[1:0]		
		31:24	PERID[6:0]									

.....continued

Offset	Name	Bit Pos.	7	6	5	4	3	2	1	0		
0x05FC	XDMAC_CDS_MSP2 2	7:0	SDS_MSP[7:0]									
		15:8	SDS_MSP[15:8]									
		23:16	DDS_MSP[7:0]									
		31:24	DDS_MSP[15:8]									
0x0600	XDMAC_CSUS22	7:0	SUBS[7:0]									
		15:8	SUBS[15:8]									
		23:16	SUBS[23:16]									
		31:24										
0x0604	XDMAC_CDUS22	7:0	DUBS[7:0]									
		15:8	DUBS[15:8]									
		23:16	DUBS[23:16]									
		31:24										
0x0608 ... 0x060F	Reserved											
0x0610	XDMAC_CIE23	7:0		ROIE	WBIE	RBIE	FIE	DIE	LIE	BIE		
		15:8										
		23:16										
		31:24										
0x0614	XDMAC_CID23	7:0		ROID	WBEID	RBEID	FID	DID	LID	BID		
		15:8										
		23:16										
		31:24										
0x0618	XDMAC_CIM23	7:0		ROIM	WBEIM	RBEIM	FIM	DIM	LIM	BIM		
		15:8										
		23:16										
		31:24										
0x061C	XDMAC_CIS23	7:0		ROIS	WBEIS	RBEIS	FIS	DIS	LIS	BIS		
		15:8										
		23:16										
		31:24										
0x0620	XDMAC_CSA23	7:0	SA[7:0]									
		15:8	SA[15:8]									
		23:16	SA[23:16]									
		31:24	SA[31:24]									
0x0624	XDMAC_CDA23	7:0	DA[7:0]									
		15:8	DA[15:8]									
		23:16	DA[23:16]									
		31:24	DA[31:24]									
0x0628	XDMAC_CNDA23	7:0	NDA[5:0]								NDAIF	
		15:8	NDA[13:6]									
		23:16	NDA[21:14]									
		31:24	NDA[29:22]									
0x062C	XDMAC_CNDC23	7:0				NDVIEW[1:0]		NDDUP	NDSUP	NDE		
		15:8										
		23:16										
		31:24										
0x0630	XDMAC_CUBC23	7:0	UBLEN[7:0]									
		15:8	UBLEN[15:8]									
		23:16	UBLEN[23:16]									
		31:24										
0x0634	XDMAC_CBC23	7:0	BLEN[7:0]									
		15:8					BLEN[11:8]					
		23:16										
		31:24										
0x0638	XDMAC_CC23	7:0	MEMSET	SWREQ	PROT	DSYNC			MBSIZE[1:0]	TYPE		
		15:8		DIF	SIF	DWIDTH[1:0]		CSIZE[2:0]				
		23:16	WRIP	RDIP	INITD			DAM[1:0]		SAM[1:0]		
		31:24	PERID[6:0]									

.....continued											
Offset	Name	Bit Pos.	7	6	5	4	3	2	1	0	
0x063C	XDMAC_CDS_MSP2 3	7:0	SDS_MSP[7:0]								
		15:8	SDS_MSP[15:8]								
		23:16	DDS_MSP[7:0]								
		31:24	DDS_MSP[15:8]								
0x0640	XDMAC_CSUS23	7:0	SUBS[7:0]								
		15:8	SUBS[15:8]								
		23:16	SUBS[23:16]								
		31:24									
0x0644	XDMAC_CDUS23	7:0	DUBS[7:0]								
		15:8	DUBS[15:8]								
		23:16	DUBS[23:16]								
		31:24									
0x0648 ... 0x064F	Reserved										
0x0650	XDMAC_CIE24	7:0		ROIE	WBIE	RBIE	FIE	DIE	LIE	BIE	
		15:8									
		23:16									
		31:24									
0x0654	XDMAC_CID24	7:0		ROID	WBEID	RBEID	FID	DID	LID	BID	
		15:8									
		23:16									
		31:24									
0x0658	XDMAC_CIM24	7:0		ROIM	WBEIM	RBEIM	FIM	DIM	LIM	BIM	
		15:8									
		23:16									
		31:24									
0x065C	XDMAC_CIS24	7:0		ROIS	WBEIS	RBEIS	FIS	DIS	LIS	BIS	
		15:8									
		23:16									
		31:24									
0x0660	XDMAC_CSA24	7:0	SA[7:0]								
		15:8	SA[15:8]								
		23:16	SA[23:16]								
		31:24	SA[31:24]								
0x0664	XDMAC_CDA24	7:0	DA[7:0]								
		15:8	DA[15:8]								
		23:16	DA[23:16]								
		31:24	DA[31:24]								
0x0668	XDMAC_CNDA24	7:0	NDA[5:0]								NDAIF
		15:8	NDA[13:6]								
		23:16	NDA[21:14]								
		31:24	NDA[29:22]								
0x066C	XDMAC_CNDC24	7:0				NDVIEW[1:0]		NDDUP	NDSUP	NDE	
		15:8									
		23:16									
		31:24									
0x0670	XDMAC_CUBC24	7:0	UBLEN[7:0]								
		15:8	UBLEN[15:8]								
		23:16	UBLEN[23:16]								
		31:24									
0x0674	XDMAC_CBC24	7:0	BLEN[7:0]								
		15:8					BLEN[11:8]				
		23:16									
		31:24									
0x0678	XDMAC_CC24	7:0	MEMSET	SWREQ	PROT	DSYNC	MBSIZE[1:0]		TYPE		
		15:8		DIF	SIF	DWIDTH[1:0]		CSIZE[2:0]			
		23:16	WRIP	RDIP	INITD	DAM[1:0]			SAM[1:0]		
		31:24	PERID[6:0]								

.....continued

Offset	Name	Bit Pos.	7	6	5	4	3	2	1	0		
0x067C	XDMAC_CDS_MSP2 4	7:0	SDS_MSP[7:0]									
		15:8	SDS_MSP[15:8]									
		23:16	DDS_MSP[7:0]									
		31:24	DDS_MSP[15:8]									
0x0680	XDMAC_CSUS24	7:0	SUBS[7:0]									
		15:8	SUBS[15:8]									
		23:16	SUBS[23:16]									
		31:24										
0x0684	XDMAC_CDUS24	7:0	DUBS[7:0]									
		15:8	DUBS[15:8]									
		23:16	DUBS[23:16]									
		31:24										
0x0688 ... 0x068F	Reserved											
0x0690	XDMAC_CIE25	7:0		ROIE	WBIE	RBIE	FIE	DIE	LIE	BIE		
		15:8										
		23:16										
		31:24										
0x0694	XDMAC_CID25	7:0		ROID	WBEID	RBEID	FID	DID	LID	BID		
		15:8										
		23:16										
		31:24										
0x0698	XDMAC_CIM25	7:0		ROIM	WBEIM	RBEIM	FIM	DIM	LIM	BIM		
		15:8										
		23:16										
		31:24										
0x069C	XDMAC_CIS25	7:0		ROIS	WBEIS	RBEIS	FIS	DIS	LIS	BIS		
		15:8										
		23:16										
		31:24										
0x06A0	XDMAC_CSA25	7:0	SA[7:0]									
		15:8	SA[15:8]									
		23:16	SA[23:16]									
		31:24	SA[31:24]									
0x06A4	XDMAC_CDA25	7:0	DA[7:0]									
		15:8	DA[15:8]									
		23:16	DA[23:16]									
		31:24	DA[31:24]									
0x06A8	XDMAC_CNDA25	7:0	NDA[5:0]								NDAIF	
		15:8	NDA[13:6]									
		23:16	NDA[21:14]									
		31:24	NDA[29:22]									
0x06AC	XDMAC_CNDC25	7:0				NDVIEW[1:0]		NDDUP	NDSUP	NDE		
		15:8										
		23:16										
		31:24										
0x06B0	XDMAC_CUBC25	7:0	UBLEN[7:0]									
		15:8	UBLEN[15:8]									
		23:16	UBLEN[23:16]									
		31:24										
0x06B4	XDMAC_CBC25	7:0	BLEN[7:0]									
		15:8					BLEN[11:8]					
		23:16										
		31:24										
0x06B8	XDMAC_CC25	7:0	MEMSET	SWREQ	PROT	DSYNC			MBSIZE[1:0]	TYPE		
		15:8		DIF	SIF	DWIDTH[1:0]		CSIZE[2:0]				
		23:16	WRIP	RDIP	INITD			DAM[1:0]		SAM[1:0]		
		31:24	PERID[6:0]									

.....continued											
Offset	Name	Bit Pos.	7	6	5	4	3	2	1	0	
0x06BC	XDMAC_CDS_MSP25	7:0	SDS_MSP[7:0]								
		15:8	SDS_MSP[15:8]								
		23:16	DDS_MSP[7:0]								
		31:24	DDS_MSP[15:8]								
0x06C0	XDMAC_CSUS25	7:0	SUBS[7:0]								
		15:8	SUBS[15:8]								
		23:16	SUBS[23:16]								
		31:24									
0x06C4	XDMAC_CDUS25	7:0	DUBS[7:0]								
		15:8	DUBS[15:8]								
		23:16	DUBS[23:16]								
		31:24									
0x06C8 ... 0x06CF	Reserved										
0x06D0	XDMAC_CIE26	7:0		ROIE	WBIE	RBIE	FIE	DIE	LIE	BIE	
		15:8									
		23:16									
		31:24									
0x06D4	XDMAC_CID26	7:0		ROID	WBEID	RBEID	FID	DID	LID	BID	
		15:8									
		23:16									
		31:24									
0x06D8	XDMAC_CIM26	7:0		ROIM	WBEIM	RBEIM	FIM	DIM	LIM	BIM	
		15:8									
		23:16									
		31:24									
0x06DC	XDMAC_CIS26	7:0		ROIS	WBEIS	RBEIS	FIS	DIS	LIS	BIS	
		15:8									
		23:16									
		31:24									
0x06E0	XDMAC_CSA26	7:0	SA[7:0]								
		15:8	SA[15:8]								
		23:16	SA[23:16]								
		31:24	SA[31:24]								
0x06E4	XDMAC_CDA26	7:0	DA[7:0]								
		15:8	DA[15:8]								
		23:16	DA[23:16]								
		31:24	DA[31:24]								
0x06E8	XDMAC_CNDA26	7:0	NDA[5:0]								NDAIF
		15:8	NDA[13:6]								
		23:16	NDA[21:14]								
		31:24	NDA[29:22]								
0x06EC	XDMAC_CNDC26	7:0				NDVIEW[1:0]		NDDUP	NDSUP	NDE	
		15:8									
		23:16									
		31:24									
0x06F0	XDMAC_CUBC26	7:0	UBLEN[7:0]								
		15:8	UBLEN[15:8]								
		23:16	UBLEN[23:16]								
		31:24									
0x06F4	XDMAC_CBC26	7:0	BLEN[7:0]								
		15:8	BLEN[11:8]								
		23:16									
		31:24									
0x06F8	XDMAC_CC26	7:0	MEMSET	SWREQ	PROT	DSYNC		MBSIZE[1:0]		TYPE	
		15:8		DIF	SIF	DWIDTH[1:0]		CSIZE[2:0]			
		23:16	WRIP	RDIP	INITD		DAM[1:0]		SAM[1:0]		
		31:24		PERID[6:0]							

.....continued

Offset	Name	Bit Pos.	7	6	5	4	3	2	1	0		
0x06FC	XDMAC_CDS_MSP26	7:0	SDS_MSP[7:0]									
		15:8	SDS_MSP[15:8]									
		23:16	DDS_MSP[7:0]									
		31:24	DDS_MSP[15:8]									
0x0700	XDMAC_CSUS26	7:0	SUBS[7:0]									
		15:8	SUBS[15:8]									
		23:16	SUBS[23:16]									
		31:24										
0x0704	XDMAC_CDUS26	7:0	DUBS[7:0]									
		15:8	DUBS[15:8]									
		23:16	DUBS[23:16]									
		31:24										
0x0708 ... 0x070F	Reserved											
0x0710	XDMAC_CIE27	7:0		ROIE	WBIE	RBIE	FIE	DIE	LIE	BIE		
		15:8										
		23:16										
		31:24										
0x0714	XDMAC_CID27	7:0		ROID	WBEID	RBEID	FID	DID	LID	BID		
		15:8										
		23:16										
		31:24										
0x0718	XDMAC_CIM27	7:0		ROIM	WBEIM	RBEIM	FIM	DIM	LIM	BIM		
		15:8										
		23:16										
		31:24										
0x071C	XDMAC_CIS27	7:0		ROIS	WBEIS	RBEIS	FIS	DIS	LIS	BIS		
		15:8										
		23:16										
		31:24										
0x0720	XDMAC_CSA27	7:0	SA[7:0]									
		15:8	SA[15:8]									
		23:16	SA[23:16]									
		31:24	SA[31:24]									
0x0724	XDMAC_CDA27	7:0	DA[7:0]									
		15:8	DA[15:8]									
		23:16	DA[23:16]									
		31:24	DA[31:24]									
0x0728	XDMAC_CNDA27	7:0	NDA[5:0]						NDAIF			
		15:8	NDA[13:6]									
		23:16	NDA[21:14]									
		31:24	NDA[29:22]									
0x072C	XDMAC_CNDC27	7:0				NDVIEW[1:0]		NDDUP	NDSUP	NDE		
		15:8										
		23:16										
		31:24										
0x0730	XDMAC_CUBC27	7:0	UBLEN[7:0]									
		15:8	UBLEN[15:8]									
		23:16	UBLEN[23:16]									
		31:24										
0x0734	XDMAC_CBC27	7:0	BLEN[7:0]									
		15:8					BLEN[11:8]					
		23:16										
		31:24										
0x0738	XDMAC_CC27	7:0	MEMSET	SWREQ	PROT	DSYNC	MBSIZE[1:0]			TYPE		
		15:8		DIF	SIF	DWIDTH[1:0]			CSIZE[2:0]			
		23:16	WRIP	RDIP	INITD				DAM[1:0]		SAM[1:0]	
		31:24	PERID[6:0]									



.....continued											
Offset	Name	Bit Pos.	7	6	5	4	3	2	1	0	
0x073C	XDMAC_CDS_MSP2 7	7:0	SDS_MSP[7:0]								
		15:8	SDS_MSP[15:8]								
		23:16	DDS_MSP[7:0]								
		31:24	DDS_MSP[15:8]								
0x0740	XDMAC_CSUS27	7:0	SUBS[7:0]								
		15:8	SUBS[15:8]								
		23:16	SUBS[23:16]								
		31:24									
0x0744	XDMAC_CDUS27	7:0	DUBS[7:0]								
		15:8	DUBS[15:8]								
		23:16	DUBS[23:16]								
		31:24									
0x0748 ... 0x074F	Reserved										
0x0750	XDMAC_CIE28	7:0		ROIE	WBIE	RBIE	FIE	DIE	LIE	BIE	
		15:8									
		23:16									
		31:24									
0x0754	XDMAC_CID28	7:0		ROID	WBEID	RBEID	FID	DID	LID	BID	
		15:8									
		23:16									
		31:24									
0x0758	XDMAC_CIM28	7:0		ROIM	WBEIM	RBEIM	FIM	DIM	LIM	BIM	
		15:8									
		23:16									
		31:24									
0x075C	XDMAC_CIS28	7:0		ROIS	WBEIS	RBEIS	FIS	DIS	LIS	BIS	
		15:8									
		23:16									
		31:24									
0x0760	XDMAC_CSA28	7:0	SA[7:0]								
		15:8	SA[15:8]								
		23:16	SA[23:16]								
		31:24	SA[31:24]								
0x0764	XDMAC_CDA28	7:0	DA[7:0]								
		15:8	DA[15:8]								
		23:16	DA[23:16]								
		31:24	DA[31:24]								
0x0768	XDMAC_CNDA28	7:0	NDA[5:0]						NDAIF		
		15:8	NDA[13:6]								
		23:16	NDA[21:14]								
		31:24	NDA[29:22]								
0x076C	XDMAC_CNDC28	7:0				NDVIEW[1:0]		NDDUP	NDSUP	NDE	
		15:8									
		23:16									
		31:24									
0x0770	XDMAC_CUBC28	7:0	UBLEN[7:0]								
		15:8	UBLEN[15:8]								
		23:16	UBLEN[23:16]								
		31:24									
0x0774	XDMAC_CBC28	7:0	BLEN[7:0]								
		15:8				BLEN[11:8]					
		23:16									
		31:24									
0x0778	XDMAC_CC28	7:0	MEMSET	SWREQ	PROT	DSYNC	MBSIZE[1:0]			TYPE	
		15:8		DIF	SIF	DWIDTH[1:0]		CSIZE[2:0]			
		23:16	WRIP	RDIP	INITD	DAM[1:0]			SAM[1:0]		
		31:24	PERID[6:0]								

.....continued

Offset	Name	Bit Pos.	7	6	5	4	3	2	1	0	
0x077C	XDMAC_CDS_MSP28	7:0	SDS_MSP[7:0]								
		15:8	SDS_MSP[15:8]								
		23:16	DDS_MSP[7:0]								
		31:24	DDS_MSP[15:8]								
0x0780	XDMAC_CSUS28	7:0	SUBS[7:0]								
		15:8	SUBS[15:8]								
		23:16	SUBS[23:16]								
		31:24									
0x0784	XDMAC_CDUS28	7:0	DUBS[7:0]								
		15:8	DUBS[15:8]								
		23:16	DUBS[23:16]								
		31:24									
0x0788 ... 0x078F	Reserved										
0x0790	XDMAC_CIE29	7:0		ROIE	WBIE	RBIE	FIE	DIE	LIE	BIE	
		15:8									
		23:16									
		31:24									
0x0794	XDMAC_CID29	7:0		ROID	WBEID	RBEID	FID	DID	LID	BID	
		15:8									
		23:16									
		31:24									
0x0798	XDMAC_CIM29	7:0		ROIM	WBEIM	RBEIM	FIM	DIM	LIM	BIM	
		15:8									
		23:16									
		31:24									
0x079C	XDMAC_CIS29	7:0		ROIS	WBEIS	RBEIS	FIS	DIS	LIS	BIS	
		15:8									
		23:16									
		31:24									
0x07A0	XDMAC_CSA29	7:0	SA[7:0]								
		15:8	SA[15:8]								
		23:16	SA[23:16]								
		31:24	SA[31:24]								
0x07A4	XDMAC_CDA29	7:0	DA[7:0]								
		15:8	DA[15:8]								
		23:16	DA[23:16]								
		31:24	DA[31:24]								
0x07A8	XDMAC_CNDA29	7:0	NDA[5:0]								NDAIF
		15:8	NDA[13:6]								
		23:16	NDA[21:14]								
		31:24	NDA[29:22]								
0x07AC	XDMAC_CNDC29	7:0				NDVIEW[1:0]		NDDUP	NDSUP	NDE	
		15:8									
		23:16									
		31:24									
0x07B0	XDMAC_CUBC29	7:0	UBLEN[7:0]								
		15:8	UBLEN[15:8]								
		23:16	UBLEN[23:16]								
		31:24									
0x07B4	XDMAC_CBC29	7:0	BLEN[7:0]								
		15:8				BLEN[11:8]					
		23:16									
		31:24									
0x07B8	XDMAC_CC29	7:0	MEMSET	SWREQ	PROT	DSYNC			MBSIZE[1:0]	TYPE	
		15:8			DIF	SIF	DWIDTH[1:0]		CSIZE[2:0]		
		23:16	WRIP	RDIP	INITD				DAM[1:0]	SAM[1:0]	
		31:24	PERID[6:0]								

.....continued

Offset	Name	Bit Pos.	7	6	5	4	3	2	1	0		
0x07BC	XDMAC_CDS_MSP29	7:0	SDS_MSP[7:0]									
		15:8	SDS_MSP[15:8]									
		23:16	DDS_MSP[7:0]									
		31:24	DDS_MSP[15:8]									
0x07C0	XDMAC_CSUS29	7:0	SUBS[7:0]									
		15:8	SUBS[15:8]									
		23:16	SUBS[23:16]									
		31:24										
0x07C4	XDMAC_CDUS29	7:0	DUBS[7:0]									
		15:8	DUBS[15:8]									
		23:16	DUBS[23:16]									
		31:24										
0x07C8 ... 0x07CF	Reserved											
0x07D0	XDMAC_CIE30	7:0		ROIE	WBIE	RBIE	FIE	DIE	LIE	BIE		
		15:8										
		23:16										
		31:24										
0x07D4	XDMAC_CID30	7:0		ROID	WBEID	RBEID	FID	DID	LID	BID		
		15:8										
		23:16										
		31:24										
0x07D8	XDMAC_CIM30	7:0		ROIM	WBEIM	RBEIM	FIM	DIM	LIM	BIM		
		15:8										
		23:16										
		31:24										
0x07DC	XDMAC_CIS30	7:0		ROIS	WBEIS	RBEIS	FIS	DIS	LIS	BIS		
		15:8										
		23:16										
		31:24										
0x07E0	XDMAC_CSA30	7:0	SA[7:0]									
		15:8	SA[15:8]									
		23:16	SA[23:16]									
		31:24	SA[31:24]									
0x07E4	XDMAC_CDA30	7:0	DA[7:0]									
		15:8	DA[15:8]									
		23:16	DA[23:16]									
		31:24	DA[31:24]									
0x07E8	XDMAC_CNDA30	7:0	NDA[5:0]								NDAIF	
		15:8	NDA[13:6]									
		23:16	NDA[21:14]									
		31:24	NDA[29:22]									
0x07EC	XDMAC_CNDC30	7:0				NDVIEW[1:0]		NDDUP	NDSUP	NDE		
		15:8										
		23:16										
		31:24										
0x07F0	XDMAC_CUBC30	7:0	UBLEN[7:0]									
		15:8	UBLEN[15:8]									
		23:16	UBLEN[23:16]									
		31:24										
0x07F4	XDMAC_CBC30	7:0	BLEN[7:0]									
		15:8					BLEN[11:8]					
		23:16										
		31:24										
0x07F8	XDMAC_CC30	7:0	MEMSET	SWREQ	PROT	DSYNC			MBSIZE[1:0]	TYPE		
		15:8		DIF	SIF	DWIDTH[1:0]		CSIZE[2:0]				
		23:16	WRIP	RDIP	INITD				DAM[1:0]	SAM[1:0]		
		31:24	PERID[6:0]									

.....continued											
Offset	Name	Bit Pos.	7	6	5	4	3	2	1	0	
0x07FC	XDMAC_CDS_MSP3 0	7:0	SDS_MSP[7:0]								
		15:8	SDS_MSP[15:8]								
		23:16	DDS_MSP[7:0]								
		31:24	DDS_MSP[15:8]								
0x0800	XDMAC_CSUS30	7:0	SUBS[7:0]								
		15:8	SUBS[15:8]								
		23:16	SUBS[23:16]								
		31:24									
0x0804	XDMAC_CDUS30	7:0	DUBS[7:0]								
		15:8	DUBS[15:8]								
		23:16	DUBS[23:16]								
		31:24									
0x0808 ... 0x080F	Reserved										
0x0810	XDMAC_CIE31	7:0		ROIE	WBIE	RBIE	FIE	DIE	LIE	BIE	
		15:8									
		23:16									
		31:24									
0x0814	XDMAC_CID31	7:0		ROID	WBEID	RBEID	FID	DID	LID	BID	
		15:8									
		23:16									
		31:24									
0x0818	XDMAC_CIM31	7:0		ROIM	WBEIM	RBEIM	FIM	DIM	LIM	BIM	
		15:8									
		23:16									
		31:24									
0x081C	XDMAC_CIS31	7:0		ROIS	WBEIS	RBEIS	FIS	DIS	LIS	BIS	
		15:8									
		23:16									
		31:24									
0x0820	XDMAC_CSA31	7:0	SA[7:0]								
		15:8	SA[15:8]								
		23:16	SA[23:16]								
		31:24	SA[31:24]								
0x0824	XDMAC_CDA31	7:0	DA[7:0]								
		15:8	DA[15:8]								
		23:16	DA[23:16]								
		31:24	DA[31:24]								
0x0828	XDMAC_CNDA31	7:0	NDA[5:0]								NDAIF
		15:8	NDA[13:6]								
		23:16	NDA[21:14]								
		31:24	NDA[29:22]								
0x082C	XDMAC_CNDC31	7:0				NDVIEW[1:0]		NDDUP	NDSUP	NDE	
		15:8									
		23:16									
		31:24									
0x0830	XDMAC_CUBC31	7:0	UBLEN[7:0]								
		15:8	UBLEN[15:8]								
		23:16	UBLEN[23:16]								
		31:24									
0x0834	XDMAC_CBC31	7:0	BLEN[7:0]								
		15:8				BLEN[11:8]					
		23:16									
		31:24									
0x0838	XDMAC_CC31	7:0	MEMSET	SWREQ	PROT	DSYNC	MBSIZE[1:0]		TYPE		
		15:8		DIF	SIF	DWIDTH[1:0]		CSIZE[2:0]			
		23:16	WRIP	RDIP	INITD	DAM[1:0]			SAM[1:0]		
		31:24	PERID[6:0]								

.....continued

Offset	Name	Bit Pos.	7	6	5	4	3	2	1	0	
0x083C	XDMAC_CDS_MSP3 1	7:0	SDS_MSP[7:0]								
		15:8	SDS_MSP[15:8]								
		23:16	DDS_MSP[7:0]								
		31:24	DDS_MSP[15:8]								
0x0840	XDMAC_CSUS31	7:0	SUBS[7:0]								
		15:8	SUBS[15:8]								
		23:16	SUBS[23:16]								
		31:24									
0x0844	XDMAC_CDUS31	7:0	DUBS[7:0]								
		15:8	DUBS[15:8]								
		23:16	DUBS[23:16]								
		31:24									

### 34.8.1 XDMAC Global Type Register

**Name:** XDMAC\_GTYPE  
**Offset:** 0x00  
**Reset:** 0x001C101F  
**Property:** Read-only

Bit	31	30	29	28	27	26	25	24
Access								
Reset								
Bit	23	22	21	20	19	18	17	16
Access		NB_REQ[6:0]						
Reset		R	R	R	R	R	R	R
Reset		0	0	1	1	1	0	0
Bit	15	14	13	12	11	10	9	8
Access	FIFO_SZ[10:3]							
Reset	R	R	R	R	R	R	R	R
Reset	0	0	0	1	0	0	0	0
Bit	7	6	5	4	3	2	1	0
Access	FIFO_SZ[2:0]			NB_CH[4:0]				
Reset	R	R	R	R	R	R	R	R
Reset	0	0	0	1	1	1	1	1

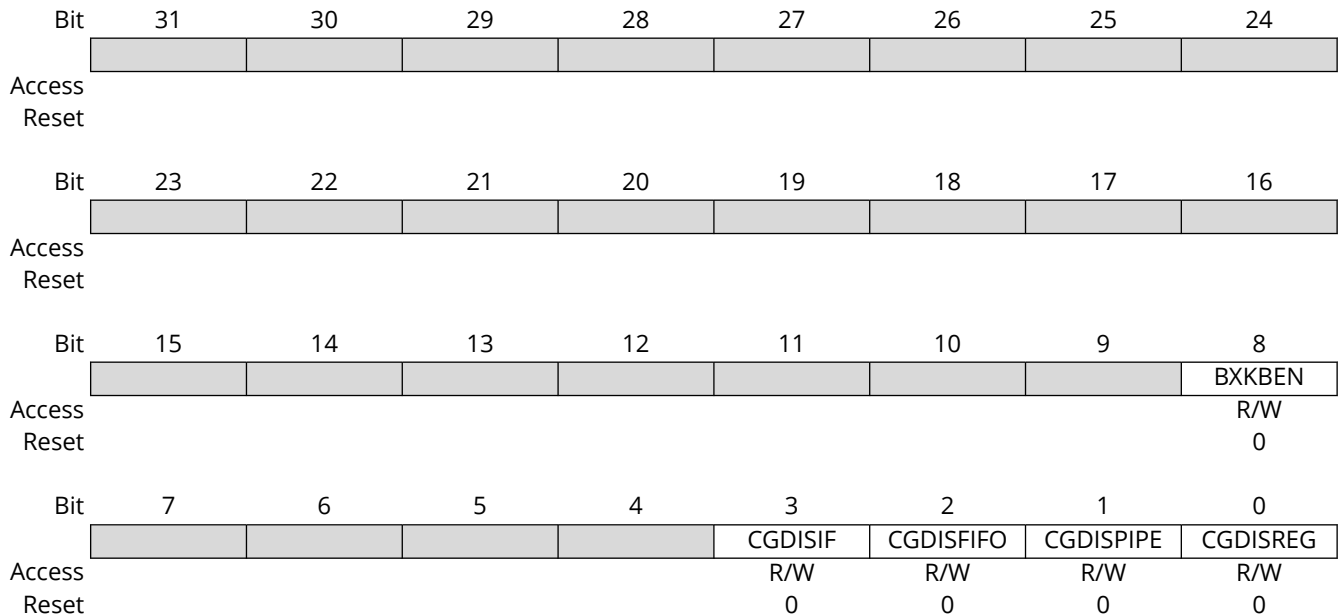
**Bits 22:16 – NB\_REQ[6:0]** Number of Peripheral Requests Minus One

**Bits 15:5 – FIFO\_SZ[10:0]** Number of Bytes

**Bits 4:0 – NB\_CH[4:0]** Number of Channels Minus One

### 34.8.2 XDMAC Global Configuration Register

**Name:** XDMAC\_GCFCG  
**Offset:** 0x04  
**Reset:** 0x00000000  
**Property:** Read/Write



#### Bit 8 – BXKBEN Boundary X Kilobyte Enable

Value	Description
0	XDMAC generates a non-sequential attribute on the system bus when address crosses the 1-Kilobyte boundary with a burst access.
1	XDMAC does not generate a non-sequential attribute on the system bus when address crosses the 1-Kilobyte boundary with a burst access.

#### Bit 3 – CGDISIF Bus Interface Clock Gating Disable

Value	Description
0	The automatic clock gating is enabled for the system bus interface.
1	The automatic clock gating is disabled for the system bus interface.

#### Bit 2 – CGDISFIFO FIFO Clock Gating Disable

Value	Description
0	The automatic clock gating is enabled for the main FIFO.
1	The automatic clock gating is disabled for the main FIFO.

#### Bit 1 – CGDISPIPE Pipeline Clock Gating Disable

Value	Description
0	The automatic clock gating is enabled for the main pipeline.
1	The automatic clock gating is disabled for the main pipeline.

#### Bit 0 – CGDISREG Configuration Registers Clock Gating Disable

Value	Description
0	The automatic clock gating is enabled for the configuration registers.
1	The automatic clock gating is disabled for the configuration registers.

### 34.8.3 XDMAC Global Weighted Arbiter Configuration Register

**Name:** XDMAC\_GWAC  
**Offset:** 0x08  
**Reset:** 0x00000000  
**Property:** Read/Write

Bit	31	30	29	28	27	26	25	24
Access								
Reset								
Bit	23	22	21	20	19	18	17	16
Access								
Reset								
Bit	15	14	13	12	11	10	9	8
	PW3[3:0]				PW2[3:0]			
Access	R/W	R/W	R/W	R/W	R/W	R/W	R/W	R/W
Reset	0	0	0	0	0	0	0	0
Bit	7	6	5	4	3	2	1	0
	PW1[3:0]				PW0[3:0]			
Access	R/W	R/W	R/W	R/W	R/W	R/W	R/W	R/W
Reset	0	0	0	0	0	0	0	0

**Bits 15:12 – PW3[3:0]** Pool Weight 3

This field indicates the weight of pool 3 in the arbitration scheme of the DMA scheduler.

**Bits 11:8 – PW2[3:0]** Pool Weight 2

This field indicates the weight of pool 2 in the arbitration scheme of the DMA scheduler.

**Bits 7:4 – PW1[3:0]** Pool Weight 1

This field indicates the weight of pool 1 in the arbitration scheme of the DMA scheduler.

**Bits 3:0 – PW0[3:0]** Pool Weight 0

This field indicates the weight of pool 0 in the arbitration scheme of the DMA scheduler.



### 34.8.4 XDMAC Global Interrupt Enable Register

**Name:** XDMAC\_GIE  
**Offset:** 0x0C  
**Reset:** -  
**Property:** Write-only

Bit	31	30	29	28	27	26	25	24
	IE31	IE30	IE29	IE28	IE27	IE26	IE25	IE24
Access	W	W	W	W	W	W	W	W
Reset	-	-	-	-	-	-	-	-
Bit	23	22	21	20	19	18	17	16
	IE23	IE22	IE21	IE20	IE19	IE18	IE17	IE16
Access	W	W	W	W	W	W	W	W
Reset	-	-	-	-	-	-	-	-
Bit	15	14	13	12	11	10	9	8
	IE15	IE14	IE13	IE12	IE11	IE10	IE9	IE8
Access	W	W	W	W	W	W	W	W
Reset	-	-	-	-	-	-	-	-
Bit	7	6	5	4	3	2	1	0
	IE7	IE6	IE5	IE4	IE3	IE2	IE1	IE0
Access	W	W	W	W	W	W	W	W
Reset	-	-	-	-	-	-	-	-

**Bits 0, 1, 2, 3, 4, 5, 6, 7, 8, 9, 10, 11, 12, 13, 14, 15, 16, 17, 18, 19, 20, 21, 22, 23, 24, 25, 26, 27, 28, 29, 30, 31 - IEx XDMAC Channel x Interrupt Enable**

Value	Description
0	This bit has no effect. The Channel x Interrupt Mask bit (XDMAC_GIM.IMx) is not modified.
1	The corresponding mask bit is set. The XDMAC Channel x Interrupt Status register (XDMAC_GIS) can generate an interrupt.

### 34.8.5 XDMAC Global Interrupt Disable Register

**Name:** XDMAC\_GID  
**Offset:** 0x10  
**Reset:** -  
**Property:** Write-only

Bit	31	30	29	28	27	26	25	24
	ID31	ID30	ID29	ID28	ID27	ID26	ID25	ID24
Access	W	W	W	W	W	W	W	W
Reset	-	-	-	-	-	-	-	-
Bit	23	22	21	20	19	18	17	16
	ID23	ID22	ID21	ID20	ID19	ID18	ID17	ID16
Access	W	W	W	W	W	W	W	W
Reset	-	-	-	-	-	-	-	-
Bit	15	14	13	12	11	10	9	8
	ID15	ID14	ID13	ID12	ID11	ID10	ID9	ID8
Access	W	W	W	W	W	W	W	W
Reset	-	-	-	-	-	-	-	-
Bit	7	6	5	4	3	2	1	0
	ID7	ID6	ID5	ID4	ID3	ID2	ID1	ID0
Access	W	W	W	W	W	W	W	W
Reset	-	-	-	-	-	-	-	-

**Bits 0, 1, 2, 3, 4, 5, 6, 7, 8, 9, 10, 11, 12, 13, 14, 15, 16, 17, 18, 19, 20, 21, 22, 23, 24, 25, 26, 27, 28, 29, 30, 31 - IDx** XDMAC Channel x Interrupt Disable

Value	Description
0	This bit has no effect. The Channel x Interrupt Mask bit (XDMAC_GIM.IMx) is not modified.
1	The corresponding mask bit is reset. The Channel x Interrupt Status register interrupt (XDMAC_GIS) is masked.

### 34.8.6 XDMAC Global Interrupt Mask Register

**Name:** XDMAC\_GIM  
**Offset:** 0x14  
**Reset:** 0x00000000  
**Property:** Read-only

Bit	31	30	29	28	27	26	25	24
	IM31	IM30	IM29	IM28	IM27	IM26	IM25	IM24
Access	R	R	R	R	R	R	R	R
Reset	0	0	0	0	0	0	0	0
Bit	23	22	21	20	19	18	17	16
	IM23	IM22	IM21	IM20	IM19	IM18	IM17	IM16
Access	R	R	R	R	R	R	R	R
Reset	0	0	0	0	0	0	0	0
Bit	15	14	13	12	11	10	9	8
	IM15	IM14	IM13	IM12	IM11	IM10	IM9	IM8
Access	R	R	R	R	R	R	R	R
Reset	0	0	0	0	0	0	0	0
Bit	7	6	5	4	3	2	1	0
	IM7	IM6	IM5	IM4	IM3	IM2	IM1	IM0
Access	R	R	R	R	R	R	R	R
Reset	0	0	0	0	0	0	0	0

**Bits 0, 1, 2, 3, 4, 5, 6, 7, 8, 9, 10, 11, 12, 13, 14, 15, 16, 17, 18, 19, 20, 21, 22, 23, 24, 25, 26, 27, 28, 29, 30, 31 – IMx** XDMAC Channel x Interrupt Mask

Value	Description
0	This bit indicates that the channel x interrupt source is masked. The interrupt line is not raised.
1	This bit indicates that the channel x interrupt source is unmasked.

### 34.8.7 XDMAC Global Interrupt Status Register

**Name:** XDMAC\_GIS  
**Offset:** 0x18  
**Reset:** 0x00000000  
**Property:** Read-only

Bit	31	30	29	28	27	26	25	24
	IS31	IS30	IS29	IS28	IS27	IS26	IS25	IS24
Access	R	R	R	R	R	R	R	R
Reset	0	0	0	0	0	0	0	0
Bit	23	22	21	20	19	18	17	16
	IS23	IS22	IS21	IS20	IS19	IS18	IS17	IS16
Access	R	R	R	R	R	R	R	R
Reset	0	0	0	0	0	0	0	0
Bit	15	14	13	12	11	10	9	8
	IS15	IS14	IS13	IS12	IS11	IS10	IS9	IS8
Access	R	R	R	R	R	R	R	R
Reset	0	0	0	0	0	0	0	0
Bit	7	6	5	4	3	2	1	0
	IS7	IS6	IS5	IS4	IS3	IS2	IS1	IS0
Access	R	R	R	R	R	R	R	R
Reset	0	0	0	0	0	0	0	0

**Bits 0, 1, 2, 3, 4, 5, 6, 7, 8, 9, 10, 11, 12, 13, 14, 15, 16, 17, 18, 19, 20, 21, 22, 23, 24, 25, 26, 27, 28, 29, 30, 31 - ISx XDMAC Channel x Interrupt Status**

Value	Description
0	This bit indicates that either the interrupt source is masked at the channel level or no interrupt is pending for channel x.
1	This bit indicates that an interrupt is pending for the channel x.

### 34.8.8 XDMAC Global Channel Enable Register

**Name:** XDMAC\_GE  
**Offset:** 0x1C  
**Reset:** -  
**Property:** Write-only

Bit	31	30	29	28	27	26	25	24
	EN31	EN30	EN29	EN28	EN27	EN26	EN25	EN24
Access	W	W	W	W	W	W	W	W
Reset	-	-	-	-	-	-	-	-
Bit	23	22	21	20	19	18	17	16
	EN23	EN22	EN21	EN20	EN19	EN18	EN17	EN16
Access	W	W	W	W	W	W	W	W
Reset	-	-	-	-	-	-	-	-
Bit	15	14	13	12	11	10	9	8
	EN15	EN14	EN13	EN12	EN11	EN10	EN9	EN8
Access	W	W	W	W	W	W	W	W
Reset	-	-	-	-	-	-	-	-
Bit	7	6	5	4	3	2	1	0
	EN7	EN6	EN5	EN4	EN3	EN2	EN1	EN0
Access	W	W	W	W	W	W	W	W
Reset	-	-	-	-	-	-	-	-

**Bits 0, 1, 2, 3, 4, 5, 6, 7, 8, 9, 10, 11, 12, 13, 14, 15, 16, 17, 18, 19, 20, 21, 22, 23, 24, 25, 26, 27, 28, 29, 30, 31 - ENx XDMAC Channel x Enable**

Value	Description
0	This bit has no effect.
1	Enables channel n. This operation is permitted if the Channel x Status bit (XDMAC_GS.STx) was read as '0'.

### 34.8.9 XDMAC Global Channel Disable Register

**Name:** XDMAC\_GD  
**Offset:** 0x20  
**Reset:** -  
**Property:** Write-only

Bit	31	30	29	28	27	26	25	24
	DI31	DI30	DI29	DI28	DI27	DI26	DI25	DI24
Access	W	W	W	W	W	W	W	W
Reset	-	-	-	-	-	-	-	-
Bit	23	22	21	20	19	18	17	16
	DI23	DI22	DI21	DI20	DI19	DI18	DI17	DI16
Access	W	W	W	W	W	W	W	W
Reset	-	-	-	-	-	-	-	-
Bit	15	14	13	12	11	10	9	8
	DI15	DI14	DI13	DI12	DI11	DI10	DI9	DI8
Access	W	W	W	W	W	W	W	W
Reset	-	-	-	-	-	-	-	-
Bit	7	6	5	4	3	2	1	0
	DI7	DI6	DI5	DI4	DI3	DI2	DI1	DI0
Access	W	W	W	W	W	W	W	W
Reset	-	-	-	-	-	-	-	-

**Bits 0, 1, 2, 3, 4, 5, 6, 7, 8, 9, 10, 11, 12, 13, 14, 15, 16, 17, 18, 19, 20, 21, 22, 23, 24, 25, 26, 27, 28, 29, 30, 31 - DI XDMAC Channel x Disable**

Value	Description
0	This bit has no effect.
1	Disables channel x.

### 34.8.10 XDMAC Global Channel Status Register

**Name:** XDMAC\_GS  
**Offset:** 0x24  
**Reset:** 0x00000000  
**Property:** Read-only

Bit	31	30	29	28	27	26	25	24
	ST31	ST30	ST29	ST28	ST27	ST26	ST25	ST24
Access	R	R	R	R	R	R	R	R
Reset	0	0	0	0	0	0	0	0
Bit	23	22	21	20	19	18	17	16
	ST23	ST22	ST21	ST20	ST19	ST18	ST17	ST16
Access	R	R	R	R	R	R	R	R
Reset	0	0	0	0	0	0	0	0
Bit	15	14	13	12	11	10	9	8
	ST15	ST14	ST13	ST12	ST11	ST10	ST9	ST8
Access	R	R	R	R	R	R	R	R
Reset	0	0	0	0	0	0	0	0
Bit	7	6	5	4	3	2	1	0
	ST7	ST6	ST5	ST4	ST3	ST2	ST1	ST0
Access	R	R	R	R	R	R	R	R
Reset	0	0	0	0	0	0	0	0

**Bits 0, 1, 2, 3, 4, 5, 6, 7, 8, 9, 10, 11, 12, 13, 14, 15, 16, 17, 18, 19, 20, 21, 22, 23, 24, 25, 26, 27, 28, 29, 30, 31 – ST XDMAC Channel x Status**

Value	Description
0	This bit indicates that the channel x is disabled.
1	This bit indicates that the channel x is enabled. If a channel disable request is issued, this bit remains asserted until pending transaction is completed.

### 34.8.11 XDMAC Global Channel Read Suspend Register

**Name:** XDMAC\_GRS  
**Offset:** 0x28  
**Reset:** 0x00000000  
**Property:** Read/Write

Bit	31	30	29	28	27	26	25	24
	RS31	RS30	RS29	RS28	RS27	RS26	RS25	RS24
Access	R/W	R/W	R/W	R/W	R/W	R/W	R/W	R/W
Reset	0	0	0	0	0	0	0	0
Bit	23	22	21	20	19	18	17	16
	RS23	RS22	RS21	RS20	RS19	RS18	RS17	RS16
Access	R/W	R/W	R/W	R/W	R/W	R/W	R/W	R/W
Reset	0	0	0	0	0	0	0	0
Bit	15	14	13	12	11	10	9	8
	RS15	RS14	RS13	RS12	RS11	RS10	RS9	RS8
Access	R/W	R/W	R/W	R/W	R/W	R/W	R/W	R/W
Reset	0	0	0	0	0	0	0	0
Bit	7	6	5	4	3	2	1	0
	RS7	RS6	RS5	RS4	RS3	RS2	RS1	RS0
Access	R/W	R/W	R/W	R/W	R/W	R/W	R/W	R/W
Reset	0	0	0	0	0	0	0	0

**Bits 0, 1, 2, 3, 4, 5, 6, 7, 8, 9, 10, 11, 12, 13, 14, 15, 16, 17, 18, 19, 20, 21, 22, 23, 24, 25, 26, 27, 28, 29, 30, 31 - RSx** XDMAC Channel x Read Suspend

Value	Description
0	The read channel is not suspended.
1	The source requests for channel n are no longer serviced by the system scheduler.



### 34.8.12 XDMAC Global Channel Write Suspend Register

**Name:** XDMAC\_GWS  
**Offset:** 0x2C  
**Reset:** 0x00000000  
**Property:** Read/Write

Bit	31	30	29	28	27	26	25	24
	WS31	WS30	WS29	WS28	WS27	WS26	WS25	WS24
Access	R/W	R/W	R/W	R/W	R/W	R/W	R/W	R/W
Reset	0	0	0	0	0	0	0	0
Bit	23	22	21	20	19	18	17	16
	WS23	WS22	WS21	WS20	WS19	WS18	WS17	WS16
Access	R/W	R/W	R/W	R/W	R/W	R/W	R/W	R/W
Reset	0	0	0	0	0	0	0	0
Bit	15	14	13	12	11	10	9	8
	WS15	WS14	WS13	WS12	WS11	WS10	WS9	WS8
Access	R/W	R/W	R/W	R/W	R/W	R/W	R/W	R/W
Reset	0	0	0	0	0	0	0	0
Bit	7	6	5	4	3	2	1	0
	WS7	WS6	WS5	WS4	WS3	WS2	WS1	WS0
Access	R/W	R/W	R/W	R/W	R/W	R/W	R/W	R/W
Reset	0	0	0	0	0	0	0	0

**Bits 0, 1, 2, 3, 4, 5, 6, 7, 8, 9, 10, 11, 12, 13, 14, 15, 16, 17, 18, 19, 20, 21, 22, 23, 24, 25, 26, 27, 28, 29, 30, 31 - WSx** XDMAC Channel x Write Suspend

Value	Description
0	The write channel is not suspended.
1	Destination requests are no longer routed to the scheduler.

### 34.8.13 XDMAC Global Channel Read Write Suspend Register

**Name:** XDMAC\_GRWS  
**Offset:** 0x30  
**Reset:** -  
**Property:** Write-only

Bit	31	30	29	28	27	26	25	24
	RWS31	RWS30	RWS29	RWS28	RWS27	RWS26	RWS25	RWS24
Access	W	W	W	W	W	W	W	W
Reset	-	-	-	-	-	-	-	-
Bit	23	22	21	20	19	18	17	16
	RWS23	RWS22	RWS21	RWS20	RWS19	RWS18	RWS17	RWS16
Access	W	W	W	W	W	W	W	W
Reset	-	-	-	-	-	-	-	-
Bit	15	14	13	12	11	10	9	8
	RWS15	RWS14	RWS13	RWS12	RWS11	RWS10	RWS9	RWS8
Access	W	W	W	W	W	W	W	W
Reset	-	-	-	-	-	-	-	-
Bit	7	6	5	4	3	2	1	0
	RWS7	RWS6	RWS5	RWS4	RWS3	RWS2	RWS1	RWS0
Access	W	W	W	W	W	W	W	W
Reset	-	-	-	-	-	-	-	-

**Bits 0, 1, 2, 3, 4, 5, 6, 7, 8, 9, 10, 11, 12, 13, 14, 15, 16, 17, 18, 19, 20, 21, 22, 23, 24, 25, 26, 27, 28, 29, 30, 31 - RWSx** XDMAC Channel x Read Write Suspend

Value	Description
0	No effect.
1	Read and write requests are suspended.

### 34.8.14 XDMAC Global Channel Read Write Resume Register

**Name:** XDMAC\_GRWR  
**Offset:** 0x34  
**Reset:** -  
**Property:** Write-only

Bit	31	30	29	28	27	26	25	24
	RWR31	RWR30	RWR29	RWR28	RWR27	RWR26	RWR25	RWR24
Access	W	W	W	W	W	W	W	W
Reset	-	-	-	-	-	-	-	-
Bit	23	22	21	20	19	18	17	16
	RWR23	RWR22	RWR21	RWR20	RWR19	RWR18	RWR17	RWR16
Access	W	W	W	W	W	W	W	W
Reset	-	-	-	-	-	-	-	-
Bit	15	14	13	12	11	10	9	8
	RWR15	RWR14	RWR13	RWR12	RWR11	RWR10	RWR9	RWR8
Access	W	W	W	W	W	W	W	W
Reset	-	-	-	-	-	-	-	-
Bit	7	6	5	4	3	2	1	0
	RWR7	RWR6	RWR5	RWR4	RWR3	RWR2	RWR1	RWR0
Access	W	W	W	W	W	W	W	W
Reset	-	-	-	-	-	-	-	-

**Bits 0, 1, 2, 3, 4, 5, 6, 7, 8, 9, 10, 11, 12, 13, 14, 15, 16, 17, 18, 19, 20, 21, 22, 23, 24, 25, 26, 27, 28, 29, 30, 31 - RWRx** XDMAC Channel x Read Write Resume

Value	Description
0	No effect.
1	Read and write requests are serviced.

### 34.8.15 XDMAC Global Channel Software Request Register

**Name:** XDMAC\_GSWR  
**Offset:** 0x38  
**Reset:** -  
**Property:** Write-only

Bit	31	30	29	28	27	26	25	24
	SWREQ31	SWREQ30	SWREQ29	SWREQ28	SWREQ27	SWREQ26	SWREQ25	SWREQ24
Access	W	W	W	W	W	W	W	W
Reset	-	-	-	-	-	-	-	-
Bit	23	22	21	20	19	18	17	16
	SWREQ23	SWREQ22	SWREQ21	SWREQ20	SWREQ19	SWREQ18	SWREQ17	SWREQ16
Access	W	W	W	W	W	W	W	W
Reset	-	-	-	-	-	-	-	-
Bit	15	14	13	12	11	10	9	8
	SWREQ15	SWREQ14	SWREQ13	SWREQ12	SWREQ11	SWREQ10	SWREQ9	SWREQ8
Access	W	W	W	W	W	W	W	W
Reset	-	-	-	-	-	-	-	-
Bit	7	6	5	4	3	2	1	0
	SWREQ7	SWREQ6	SWREQ5	SWREQ4	SWREQ3	SWREQ2	SWREQ1	SWREQ0
Access	W	W	W	W	W	W	W	W
Reset	-	-	-	-	-	-	-	-

**Bits 0, 1, 2, 3, 4, 5, 6, 7, 8, 9, 10, 11, 12, 13, 14, 15, 16, 17, 18, 19, 20, 21, 22, 23, 24, 25, 26, 27, 28, 29, 30, 31 - SWREQx** XDMAC Channel x Software Request

Value	Description
0	No effect.
1	Requests a DMA transfer for channel x.

### 34.8.16 XDMAC Global Channel Software Request Status Register

**Name:** XDMAC\_GSWS  
**Offset:** 0x3C  
**Reset:** 0x00000000  
**Property:** Read-only

Bit	31	30	29	28	27	26	25	24
	SWRS31	SWRS30	SWRS29	SWRS28	SWRS27	SWRS26	SWRS25	SWRS24
Access	R	R	R	R	R	R	R	R
Reset	0	0	0	0	0	0	0	0
Bit	23	22	21	20	19	18	17	16
	SWRS23	SWRS22	SWRS21	SWRS20	SWRS19	SWRS18	SWRS17	SWRS16
Access	R	R	R	R	R	R	R	R
Reset	0	0	0	0	0	0	0	0
Bit	15	14	13	12	11	10	9	8
	SWRS15	SWRS14	SWRS13	SWRS12	SWRS11	SWRS10	SWRS9	SWRS8
Access	R	R	R	R	R	R	R	R
Reset	0	0	0	0	0	0	0	0
Bit	7	6	5	4	3	2	1	0
	SWRS7	SWRS6	SWRS5	SWRS4	SWRS3	SWRS2	SWRS1	SWRS0
Access	R	R	R	R	R	R	R	R
Reset	0	0	0	0	0	0	0	0

**Bits 0, 1, 2, 3, 4, 5, 6, 7, 8, 9, 10, 11, 12, 13, 14, 15, 16, 17, 18, 19, 20, 21, 22, 23, 24, 25, 26, 27, 28, 29, 30, 31 - SWRSx** XDMAC Channel x Software Request Status

Value	Description
0	Channel x source request is serviced.
1	Channel x source request is pending.

### 34.8.17 XDMAC Global Channel Software Flush Request Register

**Name:** XDMAC\_GSWF  
**Offset:** 0x40  
**Reset:** -  
**Property:** Write-only

Bit	31	30	29	28	27	26	25	24
	SWF31	SWF30	SWF29	SWF28	SWF27	SWF26	SWF25	SWF24
Access	W	W	W	W	W	W	W	W
Reset	-	-	-	-	-	-	-	-
Bit	23	22	21	20	19	18	17	16
	SWF23	SWF22	SWF21	SWF20	SWF19	SWF18	SWF17	SWF16
Access	W	W	W	W	W	W	W	W
Reset	-	-	-	-	-	-	-	-
Bit	15	14	13	12	11	10	9	8
	SWF15	SWF14	SWF13	SWF12	SWF11	SWF10	SWF9	SWF8
Access	W	W	W	W	W	W	W	W
Reset	-	-	-	-	-	-	-	-
Bit	7	6	5	4	3	2	1	0
	SWF7	SWF6	SWF5	SWF4	SWF3	SWF2	SWF1	SWF0
Access	W	W	W	W	W	W	W	W
Reset	-	-	-	-	-	-	-	-

**Bits 0, 1, 2, 3, 4, 5, 6, 7, 8, 9, 10, 11, 12, 13, 14, 15, 16, 17, 18, 19, 20, 21, 22, 23, 24, 25, 26, 27, 28, 29, 30, 31 - SWFx** XDMAC Channel x Software Flush Request

Value	Description
0	No effect.
1	Requests a DMA transfer flush for channel x. This bit is only relevant when the transfer is source peripheral synchronized.

### 34.8.18 XDMAC Channel x Interrupt Enable Register [x=0..31]

**Name:** XDMAC\_CIE  
**Offset:** 0x50 + n\*0x40 [n=0..31]  
**Reset:** -  
**Property:** Write-only

Bit	31	30	29	28	27	26	25	24
Access								
Reset								
Bit	23	22	21	20	19	18	17	16
Access								
Reset								
Bit	15	14	13	12	11	10	9	8
Access								
Reset								
Bit	7	6	5	4	3	2	1	0
Access		ROIE	WBIE	RBIE	FIE	DIE	LIE	BIE
Reset		W	W	W	W	W	W	W
		-	-	-	-	-	-	-

#### Bit 6 – ROIE Request Overflow Error Interrupt Enable

Value	Description
0	No effect.
1	Enables request overflow error interrupt.

#### Bit 5 – WBIE Write Bus Error Interrupt Enable

Value	Description
0	No effect.
1	Enables write bus error interrupt.

#### Bit 4 – RBIE Read Bus Error Interrupt Enable

Value	Description
0	No effect.
1	Enables read bus error interrupt.

#### Bit 3 – FIE End of Flush Interrupt Enable

Value	Description
0	No effect.
1	Enables end of flush interrupt.

#### Bit 2 – DIE End of Disable Interrupt Enable

Value	Description
0	No effect.
1	Enables end of disable interrupt.

#### Bit 1 – LIE End of Linked List Interrupt Enable

Value	Description
0	No effect.
1	Enables end of linked list interrupt.

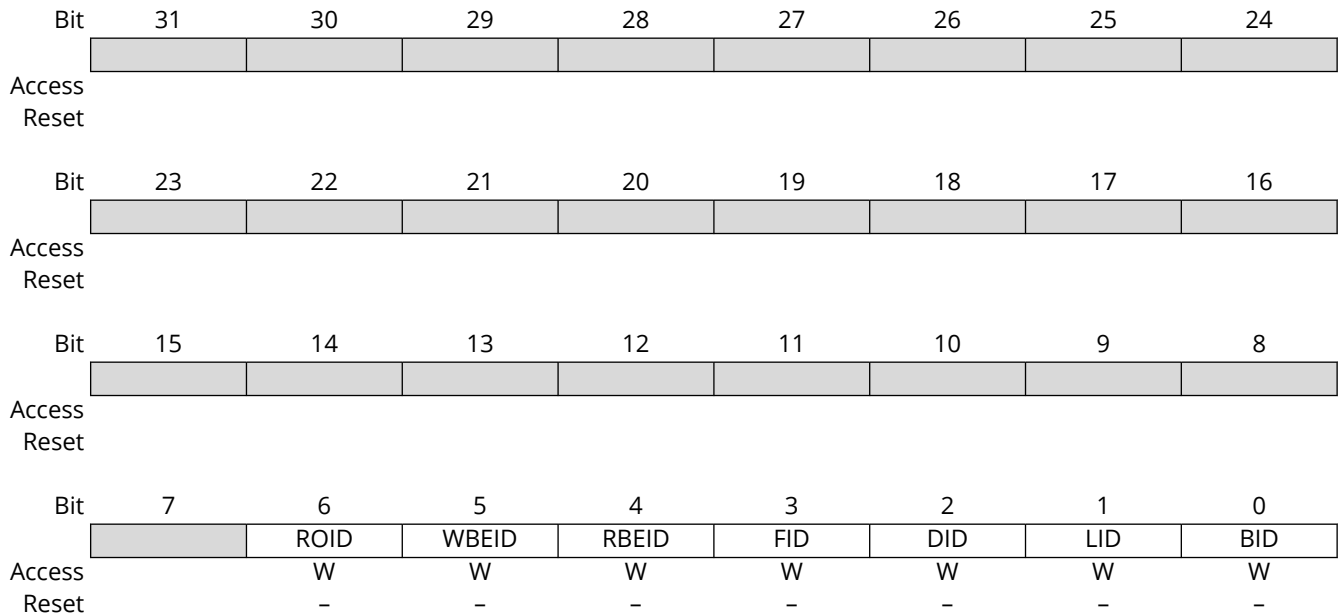
**Bit 0 – BIE** End of Block Interrupt Enable

Value	Description
0	No effect.
1	Enables end of block interrupt.



### 34.8.19 XDMAC Channel x Interrupt Disable Register [x = 0..31]

**Name:** XDMAC\_CID  
**Offset:** 0x54 + n\*0x40 [n=0..31]  
**Reset:** -  
**Property:** Write-only



#### Bit 6 – ROID Request Overflow Error Interrupt Disable

Value	Description
0	No effect.
1	Disables request overflow error interrupt.

#### Bit 5 – WBEID Write Bus Error Interrupt Disable

Value	Description
0	No effect.
1	Disables bus error interrupt.

#### Bit 4 – RBEID Read Bus Error Interrupt Disable

Value	Description
0	No effect.
1	Disables bus error interrupt.

#### Bit 3 – FID End of Flush Interrupt Disable

Value	Description
0	No effect.
1	Disables end of flush interrupt.

#### Bit 2 – DID End of Disable Interrupt Disable

Value	Description
0	No effect.
1	Disables end of disable interrupt.

#### Bit 1 – LID End of Linked List Interrupt Disable

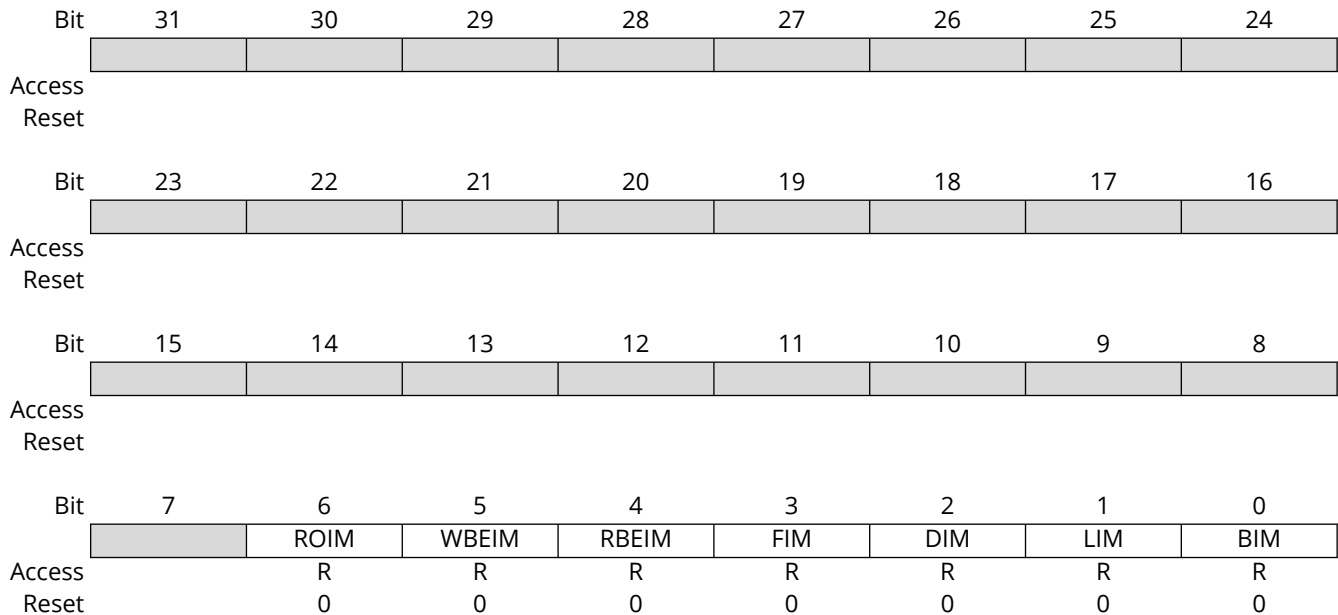
Value	Description
0	No effect.
1	Disables end of linked list interrupt.

**Bit 0 – BID** End of Block Interrupt Disable

Value	Description
0	No effect.
1	Disables end of block interrupt.

### 34.8.20 XDMAC Channel x Interrupt Mask Register [x = 0..31]

**Name:** XDMAC\_CIM  
**Offset:** 0x58 + n\*0x40 [n=0..31]  
**Reset:** 0x00000000  
**Property:** Read-only



#### Bit 6 – ROIM Request Overflow Error Interrupt Mask

Value	Description
0	Request overflow interrupt is masked.
1	Request overflow interrupt is activated.

#### Bit 5 – WBEIM Write Bus Error Interrupt Mask

Value	Description
0	Bus error interrupt is masked.
1	Bus error interrupt is activated.

#### Bit 4 – RBEIM Read Bus Error Interrupt Mask

Value	Description
0	Bus error interrupt is masked.
1	Bus error interrupt is activated.

#### Bit 3 – FIM End of Flush Interrupt Mask

Value	Description
0	End of flush interrupt is masked.
1	End of flush interrupt is activated.

#### Bit 2 – DIM End of Disable Interrupt Mask

Value	Description
0	End of disable interrupt is masked.
1	End of disable interrupt is activated.

#### Bit 1 – LIM End of Linked List Interrupt Mask

Value	Description
0	End of linked list interrupt is masked.
1	End of linked list interrupt is activated.

**Bit 0 – BIM** End of Block Interrupt Mask

Value	Description
0	Block interrupt is masked.
1	Block interrupt is activated.

### 34.8.21 XDMAC Channel x Interrupt Status Register [x = 0..31]

**Name:** XDMAC\_CIS  
**Offset:** 0x5C + n\*0x40 [n=0..31]  
**Reset:** 0x00000000  
**Property:** Read-only

Bit	31	30	29	28	27	26	25	24
Access								
Reset								
Bit	23	22	21	20	19	18	17	16
Access								
Reset								
Bit	15	14	13	12	11	10	9	8
Access								
Reset								
Bit	7	6	5	4	3	2	1	0
Access		R	R	R	R	R	R	R
Reset		0	0	0	0	0	0	0
		ROIS	WBEIS	RBEIS	FIS	DIS	LIS	BIS

#### Bit 6 – ROIS Request Overflow Error Interrupt Status

Value	Description
0	Overflow condition has not occurred.
1	Overflow condition has occurred at least once. (This information is only relevant for peripheral synchronized transfers.)

#### Bit 5 – WBEIS Write Bus Error Interrupt Status

Value	Description
0	Write bus error condition has not occurred.
1	At least one bus error has been detected in a write access since the last read of the Status register.

#### Bit 4 – RBEIS Read Bus Error Interrupt Status

Value	Description
0	Read bus error condition has not occurred.
1	At least one bus error has been detected in a read access since the last read of the Status register.

#### Bit 3 – FIS End of Flush Interrupt Status

Value	Description
0	End of flush condition has not occurred.
1	End of flush condition has occurred since the last read of the Status register.

#### Bit 2 – DIS End of Disable Interrupt Status

Value	Description
0	End of disable condition has not occurred.
1	End of disable condition has occurred since the last read of the Status register.

#### Bit 1 – LIS End of Linked List Interrupt Status

Value	Description
0	End of linked list condition has not occurred.
1	End of linked list condition has occurred since the last read of the Status register.

**Bit 0 – BIS** End of Block Interrupt Status

Value	Description
0	End of block interrupt has not occurred.
1	End of block interrupt has occurred since the last read of the Status register.

### 34.8.22 XDMAC Channel x Source Address Register [x = 0..31]

**Name:** XDMAC\_CSA  
**Offset:** 0x60 + n\*0x40 [n=0..31]  
**Reset:** 0x00000000  
**Property:** Read/Write

Bit	31	30	29	28	27	26	25	24
	SA[31:24]							
Access	R/W	R/W	R/W	R/W	R/W	R/W	R/W	R/W
Reset	0	0	0	0	0	0	0	0
Bit	23	22	21	20	19	18	17	16
	SA[23:16]							
Access	R/W	R/W	R/W	R/W	R/W	R/W	R/W	R/W
Reset	0	0	0	0	0	0	0	0
Bit	15	14	13	12	11	10	9	8
	SA[15:8]							
Access	R/W	R/W	R/W	R/W	R/W	R/W	R/W	R/W
Reset	0	0	0	0	0	0	0	0
Bit	7	6	5	4	3	2	1	0
	SA[7:0]							
Access	R/W	R/W	R/W	R/W	R/W	R/W	R/W	R/W
Reset	0	0	0	0	0	0	0	0

**Bits 31:0 – SA[31:0]** Channel x Source Address  
 Program this register with the source address of the DMA transfer.

### 34.8.23 XDMAC Channel x Destination Address Register [x = 0..31]

**Name:** XDMAC\_CDA  
**Offset:** 0x64 + n\*0x40 [n=0..31]  
**Reset:** 0x00000000  
**Property:** Read/Write

Bit	31	30	29	28	27	26	25	24
	DA[31:24]							
Access	R/W	R/W	R/W	R/W	R/W	R/W	R/W	R/W
Reset	0	0	0	0	0	0	0	0
Bit	23	22	21	20	19	18	17	16
	DA[23:16]							
Access	R/W	R/W	R/W	R/W	R/W	R/W	R/W	R/W
Reset	0	0	0	0	0	0	0	0
Bit	15	14	13	12	11	10	9	8
	DA[15:8]							
Access	R/W	R/W	R/W	R/W	R/W	R/W	R/W	R/W
Reset	0	0	0	0	0	0	0	0
Bit	7	6	5	4	3	2	1	0
	DA[7:0]							
Access	R/W	R/W	R/W	R/W	R/W	R/W	R/W	R/W
Reset	0	0	0	0	0	0	0	0

**Bits 31:0 – DA[31:0]** Channel x Destination Address  
 Program this register with the destination address of the DMA transfer.



### 34.8.24 XDMAC Channel x Next Descriptor Address Register [x = 0..31]

**Name:** XDMAC\_CNDA  
**Offset:** 0x68 + n\*0x40 [n=0..31]  
**Reset:** 0x00000000  
**Property:** Read/Write

Bit	31	30	29	28	27	26	25	24
	NDA[29:22]							
Access	R/W	R/W	R/W	R/W	R/W	R/W	R/W	R/W
Reset	0	0	0	0	0	0	0	0
Bit	23	22	21	20	19	18	17	16
	NDA[21:14]							
Access	R/W	R/W	R/W	R/W	R/W	R/W	R/W	R/W
Reset	0	0	0	0	0	0	0	0
Bit	15	14	13	12	11	10	9	8
	NDA[13:6]							
Access	R/W	R/W	R/W	R/W	R/W	R/W	R/W	R/W
Reset	0	0	0	0	0	0	0	0
Bit	7	6	5	4	3	2	1	0
	NDA[5:0]							NDAIF
Access	R/W	R/W	R/W	R/W	R/W	R/W		R/W
Reset	0	0	0	0	0	0		0

#### Bits 31:2 – NDA[29:0] Channel x Next Descriptor Address

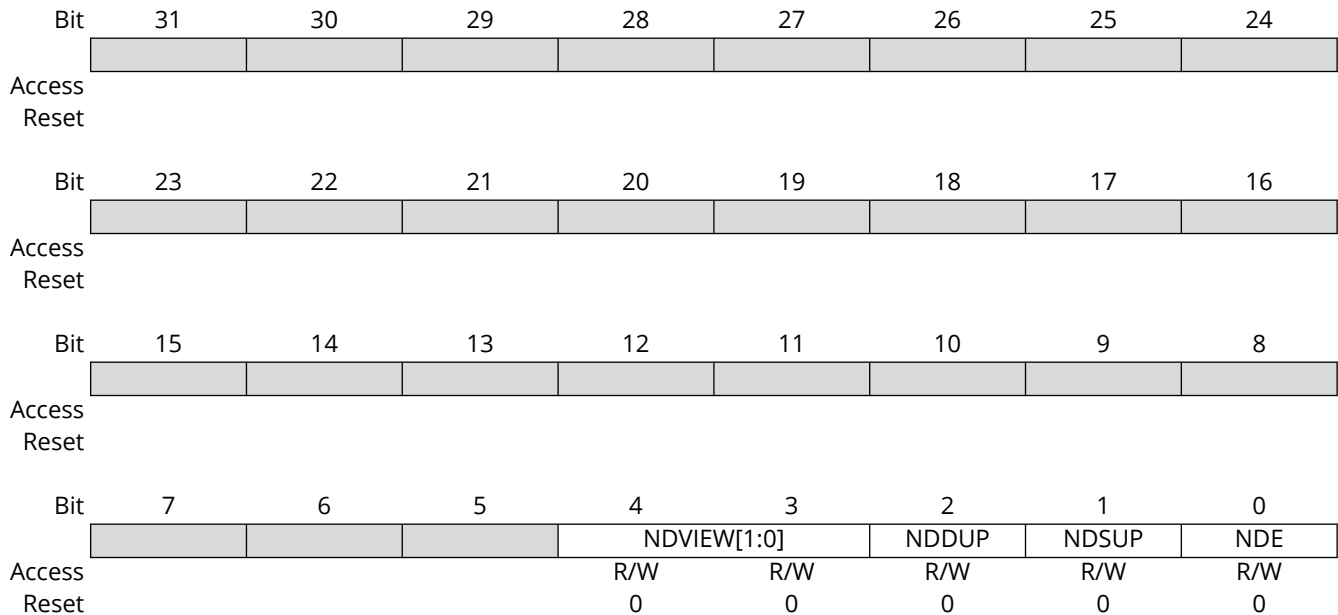
The 30-bit width of the NDA field represents the next descriptor address range 31:2. The descriptor is word-aligned and the two least significant register bits 1:0 are ignored.

#### Bit 0 – NDAIF Channel x Next Descriptor Interface

Value	Description
0	The channel descriptor is retrieved through system interface 0.
1	The channel descriptor is retrieved through system interface 1.

### 34.8.25 XDMAC Channel x Next Descriptor Control Register [x = 0..31]

**Name:** XDMAC\_CNDC  
**Offset:** 0x6C + n\*0x40 [n=0..31]  
**Reset:** 0x00000000  
**Property:** Read/Write



#### Bits 4:3 – NDVIEW[1:0] Channel x Next Descriptor View

Value	Name	Description
0	NDV0	Next Descriptor View 0
1	NDV1	Next Descriptor View 1
2	NDV2	Next Descriptor View 2
3	NDV3	Next Descriptor View 3

#### Bit 2 – NDDUP Channel x Next Descriptor Destination Update

Value	Name	Description
0	DST_PARAMS_UNCHANGED	Destination parameters remain unchanged.
1	DST_PARAMS_UPDATED	Destination parameters are updated when the descriptor is retrieved.

#### Bit 1 – NDSUP Channel x Next Descriptor Source Update

Value	Name	Description
0	SRC_PARAMS_UNCHANGED	Source parameters remain unchanged.
1	SRC_PARAMS_UPDATED	Source parameters are updated when the descriptor is retrieved.

#### Bit 0 – NDE Channel x Next Descriptor Enable

Value	Name	Description
0	DSCR_FETCH_DIS	Descriptor fetch is disabled.
1	DSCR_FETCH_EN	Descriptor fetch is enabled.

### 34.8.26 XDMAC Channel x Microblock Control Register [x = 0..31]

**Name:** XDMAC\_CUBC  
**Offset:** 0x70 + n\*0x40 [n=0..31]  
**Reset:** 0x00000000  
**Property:** Read/Write

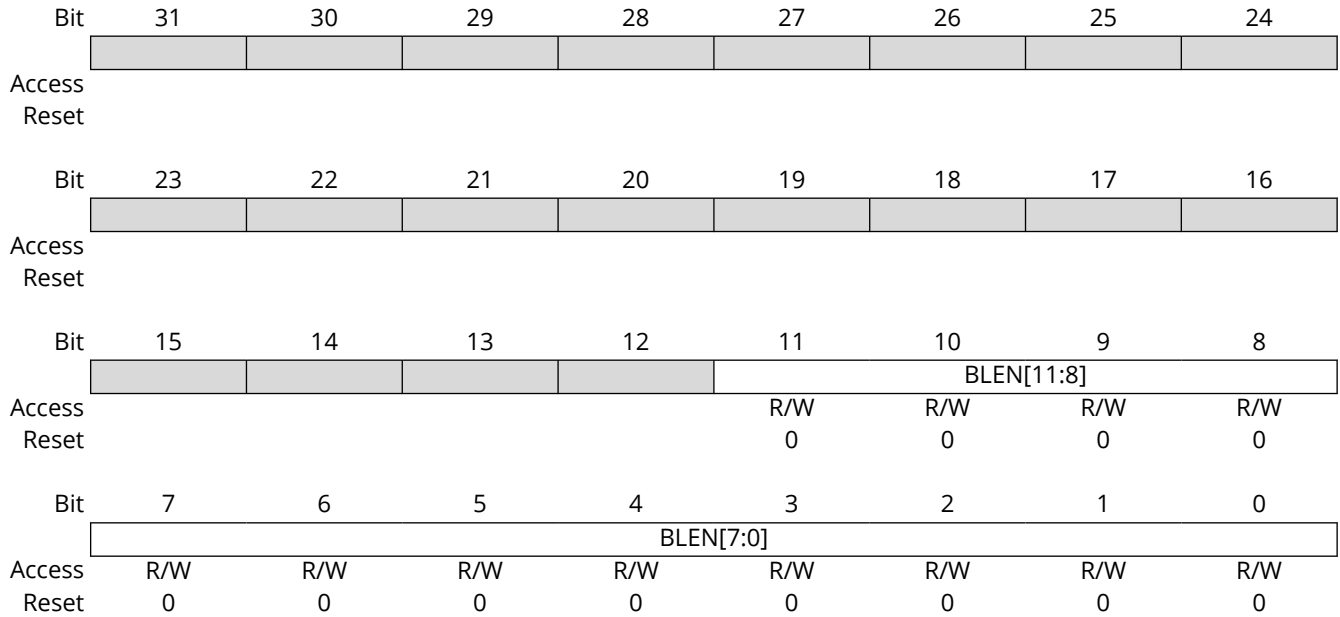
Bit	31	30	29	28	27	26	25	24
Access								
Reset								
Bit	23	22	21	20	19	18	17	16
	UBLEN[23:16]							
Access	R/W	R/W	R/W	R/W	R/W	R/W	R/W	R/W
Reset	0	0	0	0	0	0	0	0
Bit	15	14	13	12	11	10	9	8
	UBLEN[15:8]							
Access	R/W	R/W	R/W	R/W	R/W	R/W	R/W	R/W
Reset	0	0	0	0	0	0	0	0
Bit	7	6	5	4	3	2	1	0
	UBLEN[7:0]							
Access	R/W	R/W	R/W	R/W	R/W	R/W	R/W	R/W
Reset	0	0	0	0	0	0	0	0

#### Bits 23:0 – UBLEN[23:0] Channel x Microblock Length

This field indicates the number of data in the microblock. The microblock contains UBLEN data.

### 34.8.27 XDMAC Channel x Block Control Register [x = 0..31]

**Name:** XDMAC\_CBC  
**Offset:** 0x74 + n\*0x40 [n=0..31]  
**Reset:** 0x00000000  
**Property:** Read/Write



**Bits 11:0 – BLEN[11:0]** Channel x Block Length  
 The length of the block is (BLEN+1) microblocks.

### 34.8.28 XDMAC Channel x Configuration Register [x = 0..31]

**Name:** XDMAC\_CC  
**Offset:** 0x78 + n\*0x40 [n=0..31]  
**Reset:** 0x00000000  
**Property:** Read/Write

Bit	31	30	29	28	27	26	25	24
	PERID[6:0]							
Access		R/W	R/W	R/W	R/W	R/W	R/W	R/W
Reset		0	0	0	0	0	0	0
Bit	23	22	21	20	19	18	17	16
	WRIP	RDIP	INITD		DAM[1:0]		SAM[1:0]	
Access	R	R	R		R/W	R/W	R/W	R/W
Reset	0	0	0		0	0	0	0
Bit	15	14	13	12	11	10	9	8
		DIF	SIF	DWIDTH[1:0]		CSIZE[2:0]		
Access		R/W	R/W	R/W	R/W	R/W	R/W	R/W
Reset		0	0	0	0	0	0	0
Bit	7	6	5	4	3	2	1	0
	MEMSET	SWREQ	PROT	DSYNC		MBSIZE[1:0]		TYPE
Access	R/W	R/W	R/W	R/W		R/W	R/W	R/W
Reset	0	0	0	0		0	0	0

#### Bits 30:24 – PERID[6:0] Channel x Peripheral Hardware Request Line Identifier

This field contains the peripheral hardware request line identifier. PERID refers to identifiers defined in [12.2. XDMAC Peripheral Connections](#).

**Note:** When a memory-to-memory transfer is performed, configure PERID to an unused peripheral ID (refer to table “Peripheral Identifiers”).

#### Bit 23 – WRIP Write in Progress

Value	Name	Description
0	DONE	No active write transaction on the bus.
1	IN_PROGRESS	A write transaction is in progress.

#### Bit 22 – RDIP Read in Progress

Value	Name	Description
0	DONE	No active read transaction on the bus.
1	IN_PROGRESS	A read transaction is in progress.

#### Bit 21 – INITD Channel Initialization Done

When set to 0, XDMAC\_CUBC.UBLEN and XDMAC\_CNDA.NDA field values are unreliable each time a descriptor is being updated. See [34.7. XDMAC Software Requirements](#).

Value	Name	Description
0	IN_PROGRESS	Channel initialization is in progress.
1	TERMINATED	Channel initialization is completed.

#### Bits 19:18 – DAM[1:0] Channel x Destination Addressing Mode

Value	Name	Description
0	FIXED_AM	The address remains unchanged.
1	INCREMENTED_AM	The addressing mode is incremented (the increment size is set to the data size).

Value	Name	Description
2	UBS_AM	The microblock stride is added at the microblock boundary.
3	UBS_DS_AM	The microblock stride is added at the microblock boundary; the data stride is added at the data boundary.

**Bits 17:16 – SAM[1:0]** Channel x Source Addressing Mode

Value	Name	Description
0	FIXED_AM	The address remains unchanged.
1	INCREMENTED_AM	The addressing mode is incremented (the increment size is set to the data size).
2	UBS_AM	The microblock stride is added at the microblock boundary.
3	UBS_DS_AM	The microblock stride is added at the microblock boundary, the data stride is added at the data boundary.

**Bit 14 – DIF** Channel x Destination Interface Identifier

Value	Name	Description
0	AHB_IF0	The data is written through system bus interface 0.
1	AHB_IF1	The data is written through system bus interface 1.

**Bit 13 – SIF** Channel x Source Interface Identifier

Value	Name	Description
0	AHB_IF0	The data is read through system bus interface 0.
1	AHB_IF1	The data is read through system bus interface 1.

**Bits 12:11 – DWIDTH[1:0]** Channel x Data Width

Value	Name	Description
0	BYTE	The data size is set to 8 bits
1	HALFWORD	The data size is set to 16 bits
2	WORD	The data size is set to 32 bits

**Bits 10:8 – CSIZE[2:0]** Channel x Chunk Size

Value	Name	Description
0	CHK_1	1 data transferred
1	CHK_2	2 data transferred
2	CHK_4	4 data transferred
3	CHK_8	8 data transferred
4	CHK_16	16 data transferred

**Bit 7 – MEMSET** Channel x Fill Block of Memory

Value	Name	Description
0	NORMAL_MODE	Memset is not activated.
1	HW_MODE	Sets the block of memory pointed by DA field to the specified value. This operation is performed on 8-, 16- or 32-bit basis.

**Bit 6 – SWREQ** Channel x Software Request Trigger

Value	Name	Description
0	HWR_CONNECTED	Hardware request line is connected to the peripheral request line.
1	SWR_CONNECTED	Software request is connected to the peripheral request line.

**Bit 5 – PROT** Channel x Protection

When a descriptor is loaded, the PROT bit cannot be modified. If PROT=0 for a channel, the configuration and status registers of this channel cannot be modified by non-privileged software.

Value	Name	Description
0	PRIVILEGED	Channel uses Privileged mode. Access to slaves is granted independently of the Matrix configuration.
1	USER	Channel uses User mode. Access to slaves depends on the following Matrix configuration: <ul style="list-style-type: none"> <li>If Matrix uses Privileged mode: access is not granted.</li> <li>If Matrix uses User mode: access is granted.</li> </ul>

**Bit 4 – DSYNC** Channel x Synchronization

Value	Name	Description
0	PER2MEM	Peripheral-to-memory transfer
1	MEM2PER	Memory-to-peripheral transfer

**Bits 2:1 – MBSIZE[1:0]** Channel x Memory Burst Size

Value	Name	Description
0	SINGLE	The memory burst size is set to one.
1	FOUR	The memory burst size is set to four.
2	EIGHT	The memory burst size is set to eight.
3	SIXTEEN	The memory burst size is set to sixteen.

**Bit 0 – TYPE** Channel x Transfer Type

Value	Name	Description
0	MEM_TRAN	Self-triggered mode (memory-to-memory transfer)
1	PER_TRAN	Synchronized mode (peripheral-to-memory or memory-to-peripheral transfer)

### 34.8.29 XDMAC Channel x Data Stride Memory Set Pattern Register [x = 0..31]

**Name:** XDMAC\_CDS\_MSP  
**Offset:** 0x7C + n\*0x40 [n=0..31]  
**Reset:** 0x00000000  
**Property:** Read/Write

Bit	31	30	29	28	27	26	25	24
	DDS_MSP[15:8]							
Access	R/W	R/W	R/W	R/W	R/W	R/W	R/W	R/W
Reset	0	0	0	0	0	0	0	0
Bit	23	22	21	20	19	18	17	16
	DDS_MSP[7:0]							
Access	R/W	R/W	R/W	R/W	R/W	R/W	R/W	R/W
Reset	0	0	0	0	0	0	0	0
Bit	15	14	13	12	11	10	9	8
	SDS_MSP[15:8]							
Access	R/W	R/W	R/W	R/W	R/W	R/W	R/W	R/W
Reset	0	0	0	0	0	0	0	0
Bit	7	6	5	4	3	2	1	0
	SDS_MSP[7:0]							
Access	R/W	R/W	R/W	R/W	R/W	R/W	R/W	R/W
Reset	0	0	0	0	0	0	0	0

**Bits 31:16 – DDS\_MSP[15:0]** Channel x Destination Data Stride or Memory Set Pattern  
 When XDMAC\_CCx.MEMSET = 0, this field indicates the destination data stride.  
 Number of bytes for the data stride of channel x (two's complement). If the field is set to zero the data is contiguous.  
 The DDS\_MSP field is only relevant when XDMAC\_CCx.SAM=UBS\_DS\_AM.  
 When XDMAC\_CCx.MEMSET = 1, this field indicates the memory set pattern.

**Bits 15:0 – SDS\_MSP[15:0]** Channel x Source Data Stride or Memory Set Pattern  
 When XDMAC\_CCx.MEMSET = 0, this field indicates the source data stride.  
 Number of bytes for the data stride of channel x (two's complement). If the field is set to zero the data is contiguous.  
 The SDS\_MSP field is only relevant when XDMAC\_CCx.SAM=UBS\_DS\_AM.  
 When XDMAC\_CCx.MEMSET = 1, this field indicates the memory set pattern.



### 34.8.30 XDMAC Channel x Source Microblock Stride Register [x = 0..31]

**Name:** XDMAC\_CSUS  
**Offset:** 0x80 + n\*0x40 [n=0..31]  
**Reset:** 0x00000000  
**Property:** Read/Write

Bit	31	30	29	28	27	26	25	24
Access								
Reset								
Bit	23	22	21	20	19	18	17	16
	SUBS[23:16]							
Access	R/W	R/W	R/W	R/W	R/W	R/W	R/W	R/W
Reset	0	0	0	0	0	0	0	0
Bit	15	14	13	12	11	10	9	8
	SUBS[15:8]							
Access	R/W	R/W	R/W	R/W	R/W	R/W	R/W	R/W
Reset	0	0	0	0	0	0	0	0
Bit	7	6	5	4	3	2	1	0
	SUBS[7:0]							
Access	R/W	R/W	R/W	R/W	R/W	R/W	R/W	R/W
Reset	0	0	0	0	0	0	0	0

#### Bits 23:0 – SUBS[23:0] Channel x Source Microblock Stride

Number of bytes for the microblock stride for channel x (two's complement). If the field is set to zero the data is contiguous.

The SUBS field is only relevant when XDMAC\_CCx.SAM=UBS\_AM or XDMAC\_CCx.SAM=UBS\_DS\_AM.

### 34.8.31 XDMAC Channel x Destination Microblock Stride Register [x = 0..31]

**Name:** XDMAC\_CDUS  
**Offset:** 0x84 + n\*0x40 [n=0..31]  
**Reset:** 0x00000000  
**Property:** Read/Write

Bit	31	30	29	28	27	26	25	24
Access								
Reset								
Bit	23	22	21	20	19	18	17	16
	DUBS[23:16]							
Access	R/W	R/W	R/W	R/W	R/W	R/W	R/W	R/W
Reset	0	0	0	0	0	0	0	0
Bit	15	14	13	12	11	10	9	8
	DUBS[15:8]							
Access	R/W	R/W	R/W	R/W	R/W	R/W	R/W	R/W
Reset	0	0	0	0	0	0	0	0
Bit	7	6	5	4	3	2	1	0
	DUBS[7:0]							
Access	R/W	R/W	R/W	R/W	R/W	R/W	R/W	R/W
Reset	0	0	0	0	0	0	0	0

**Bits 23:0 – DUBS[23:0]** Channel x Destination Microblock Stride

Number of bytes for the microblock stride for channel x (two's complement). If the field is set to zero the data is contiguous.

The DUBS field is only relevant when XDMAC\_CCx.SAM=UBS\_AM or XDMAC\_CCx.SAM=UBS\_DS\_AM.

## 35. 1553 Interface (1553)

### 35.1 Description

The 1553 link is an interface commonly used in space applications. It features one nominal bus and one redundant bus to obtain reliable transfers and it is capable of carrying out data transfers at a bit rate of 1 Mbits/sec. A typical network is made of a Bus Controller (BC), a Bus Monitor (BM) and up to 31 Remote Terminals (RT).

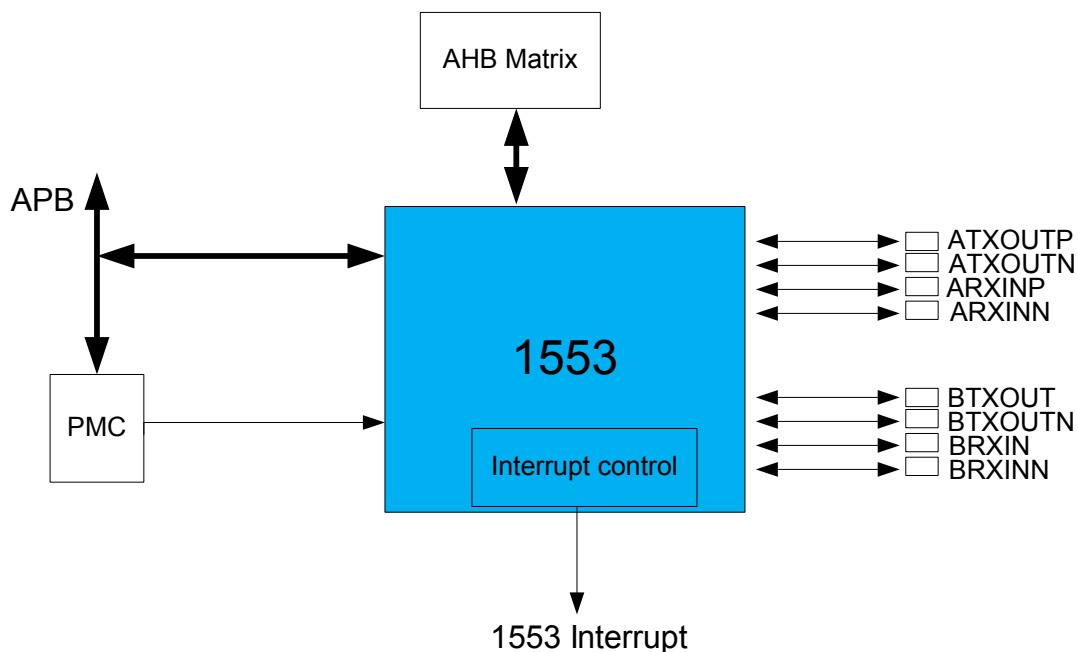
The 1553 interface embeds two of the three configurations of the Bus Controller and Remote Terminal as defined in the MIL-STD-1553B standard.

### 35.2 Embedded Characteristics

- Compliant to MIL-STD-1553B Standard
- Bus Controller and Remote Terminal Configurations Available
- 1553 Data Rate: 1 Mbits/sec
- Command and Data Transactions Available
- Data Transaction: BC to RT, RT to BC, and RT to RT
- Secure Link with a Redundant Interface
- Smiths transceiver compliant

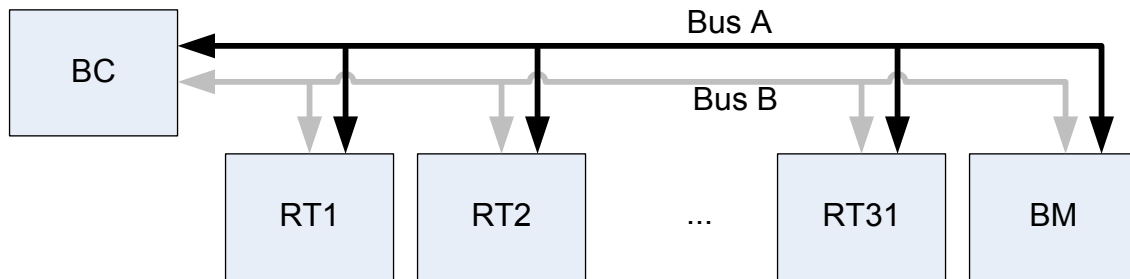
### 35.3 Block Diagram

Figure 35-1. Block Diagram



A typical 1553 network topology is presented in the figure below.

Figure 35-2. Network Diagram



## 35.4 Pin List

Table 35-1. Pin List

Pin Name	Description	Type
ARXINP	Nominal reception line (from transceiver)	Input
ARXINN	Complemented nominal reception line (from transceiver)	Input
BRXINP	Redundant reception line (from transceiver)	Input
BRXIXN	Complemented redundant reception line (from transceiver)	Input
ATXOUTP	Nominal transmission line (to transceiver)	Output
ATXOUTN	Complemented nominal transmission line (to transceiver)	Output
BTXOUTP	Redundant transmission line (to transceiver)	Output
BTXOUTN	Complemented redundant transmission line (to transceiver)	Output

## 35.5 IP1553 Dependencies

### 35.5.1 I/O Lines

There are dependencies regarding PIO muxing. Configure it before using 1553 interface.

### 35.5.2 Power Management

The 1553 is clocked through the Power Management Controller (PMC), thus the programmer must first configure the PMC to enable the 1553 clock.

The 1553 peripheral must have a 12 MHz input frequency on peripheral GCLK to comply with 1553 protocol (1Mbit/s baud rate).

The MCK clock frequency should be at least twice the GCLK frequency.

### 35.5.3 Interrupt Sources

The 1553 has an interrupt line connected to the interrupt controller. Handling the 1553 interrupt requires programming the interrupt controller before configuring the 1553.

## 35.6 Functional Description

### 35.6.1 Modes of Operation

The 1553 device can be used as either of the following:

- Bus Controller (BC)
- Remote Terminal (RT)

Three types of transactions can be performed on the 1553 network at a data rate of 1 Mbits/s:

- Command frames (from BC to RT)

- Status frames (from RT to BC)
- Data frames (from BC to RT, RT to BC, or RT to RT)

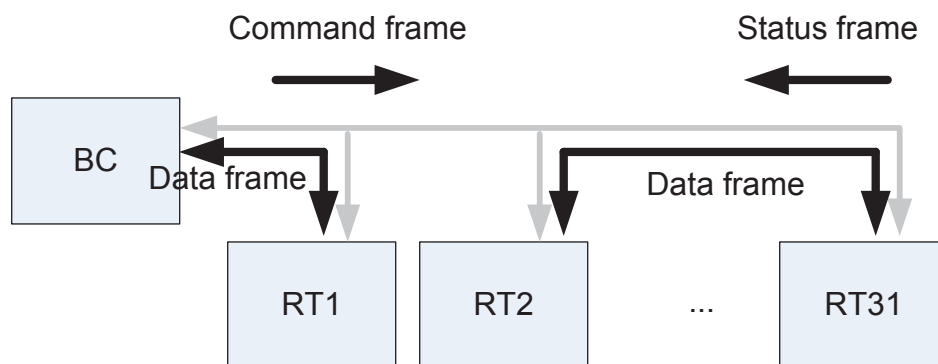
The BC always initiates transactions on the 1553 network by sending command frames. It also performs data frames.

The RT acknowledges the command frames by sending back a status frame. It also performs data frames.

The BC can be part of the transfer (BC to RT, RT to BC) or can only arbitrate the data transfer (RT to RT).

The different 1553 transactions are summarized in the following figure.

**Figure 35-3.** 1553 Frames



## 35.6.2 Memory Interface

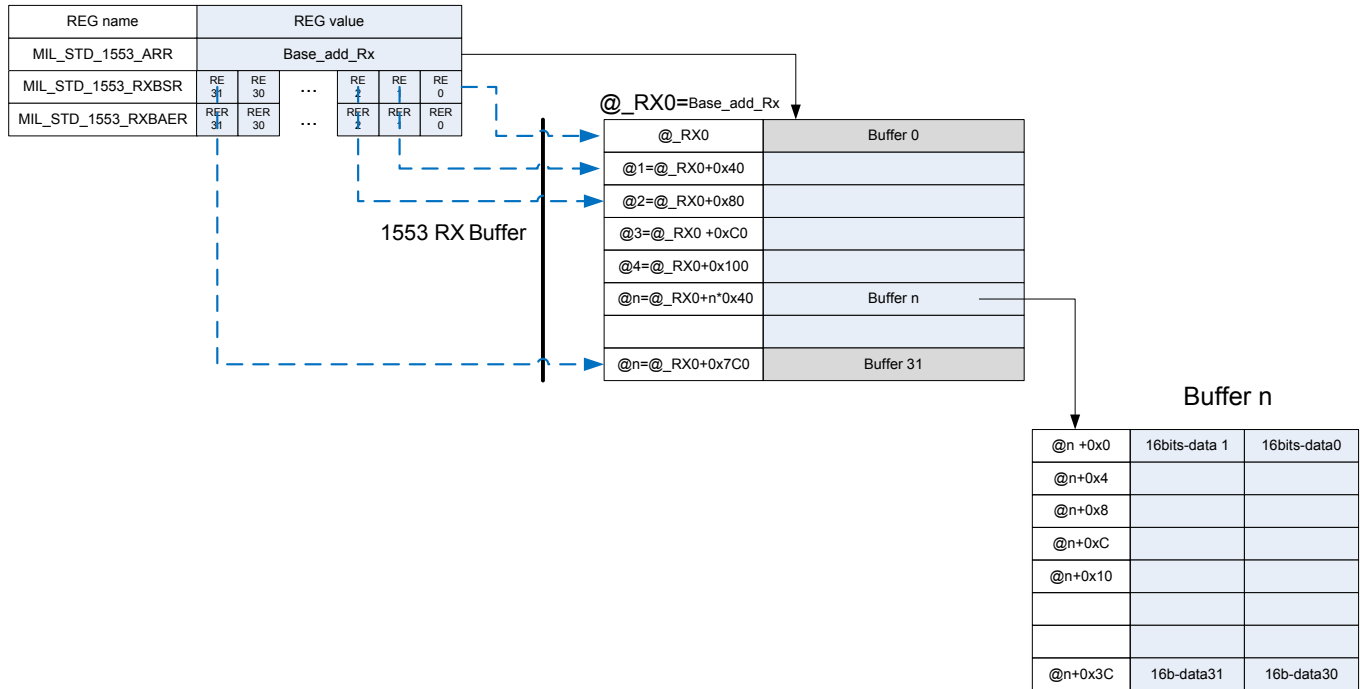
Each device has dedicated buffers to receive or transmit data.

Data, which are transferred from and to the 1553 link by packets, are stored in a 2-Kbyte 1553 RX buffer and an 2-Kbyte 1553 TX buffer. These buffers are located either in internal or external memory.

### 35.6.2.1 1553 RX Buffer Structure

The following figure describes the 1553 RX buffer and its management.

Figure 35-4. 1553 Rx Buffer



**Note:** Buffers 0 and 31 are never used for data purposes (see the 1553 protocol for details).

The 1553 RX buffer consists of 32 buffers. Each buffer can store up to 64 bytes of data (32 \*16 bits data), which is the maximum amount of data transferred during a 1553 transaction.

### 35.6.2.2 1553 RX Buffer Management

Three registers are used to control the 1553 RX buffer:

- IP1553\_ARR—used to set the base address of the 1553 RX buffer.
- IP1553\_RXBSR—used to indicate the state of the buffer ('1': empty, '0': full)
- IP1553\_RXBAER—used to notify if errors are detected in the buffer ('1': errors, '0': no error). See [35.6.5. Error Detection](#) for details.

### 35.6.2.3 1553 RX Buffer Setup

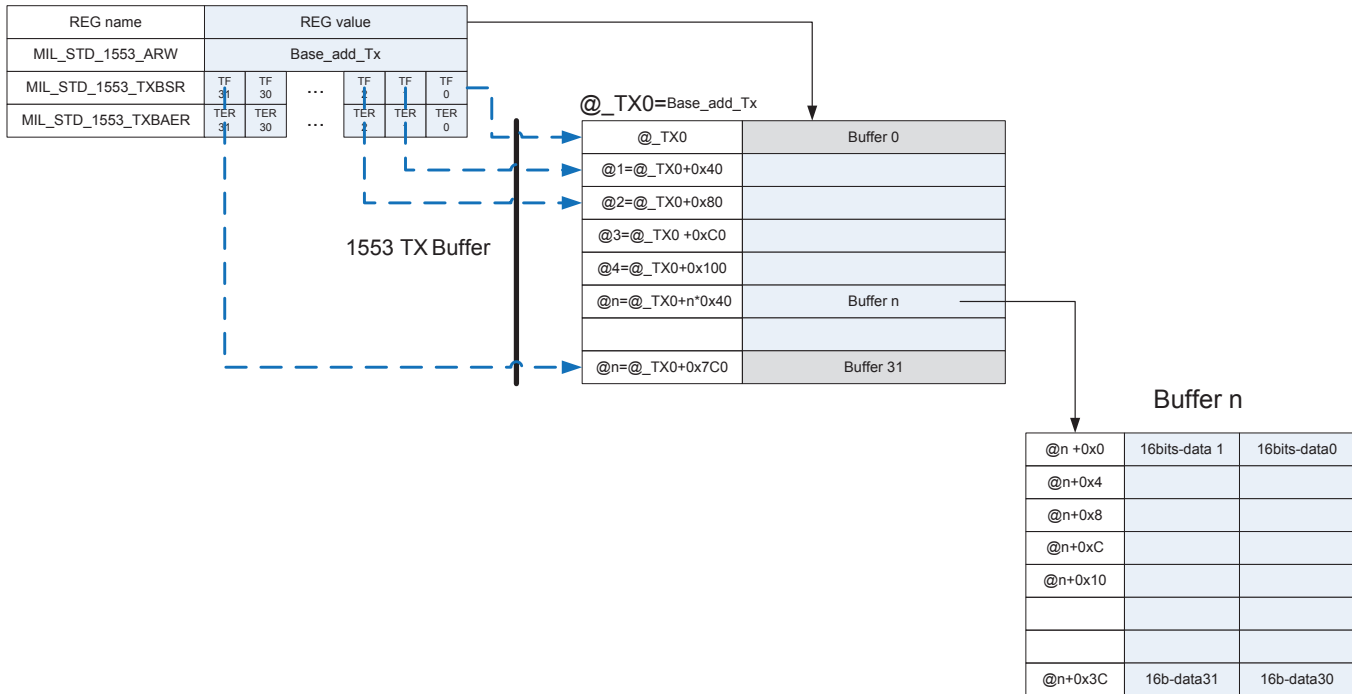
To set up the 1553 RX buffer, follow the steps below:

1. Specify the base address register of the 1553 RX buffer in the IP1553\_ARR register.
2. Reset the content of the 32 buffers.
3. Clear the error register in reception: IP1553\_RXBAER.
4. Set the status of each buffer in the IP1553\_RXBSR register to '1' to indicate that it is ready to receive data.
5. Enable the 1553 transfer.

### 35.6.2.4 1553 TX Buffer Structure

The following figure describes the 1553 TX buffer and its management.

Figure 35-5. 1553 Tx Buffer



**Note:** Buffers 0 and 31 are never used (see 1553 protocol for details).

The 1553 TX buffer consists of 32 buffers. Each buffer can store up to 64 bytes of data (32 \*16 bits data), which is the maximum amount of data transferred during a 1553 single transfer.

### 35.6.2.5 1553 TX Buffer Management

Three registers are used to control the 1553 TX buffer:

- IP1553\_ARW—used to set the base address of the 1553 TX buffer.
- IP1553\_TXBSR—used to indicate the state of the buffer ('0': empty, '1'; data ready to send)
- IP1553\_TXBAER— used to notify if errors are detected in the buffer ('1': errors, '0': no error). See the section "Error Detection" for details.

### 35.6.2.6 1553 TX Buffer Setup

To set up the 1553 TX buffer, follow the steps below:

1. Specify the base address register of the 1553 TX buffer in the IP1553\_ARW register.
2. Clear the error register in transmission: IP1553\_TXBAER.
3. Set the status of each buffer in the IP1553\_TXBSR register to '0' to indicate that it is free.
4. Fill the buffer with the data to send.
5. Set the IP1553\_TXBSR register to '1' for the corresponding buffer to indicate that data are ready to send.
6. Enable the 1553 transfer.

### 35.6.3 Bus Controller (BC) Mode

Two registers are used to generate the command frames:

- IP1553\_CMDR1—relative to the receiver device.
- IP1553\_CMDR2—relative to the transmitter device.

The register IP1553\_CMDR3 is used to configure the 1553 transaction:

- IP1553\_CMDR3.BUS—defines the bus used
- IP1553\_CMDR3.BCE—defines if the product is the emitter of data or not
- IP1553\_CMDR3.BCR—defines if the product is the receiver of data or not
- IP1553\_CMDR3.ER—defines if the transfer initiated is a command transfer or a data transfer. It shall be the last to be written

**Note:** The IP1553 can be configured as neither emitter nor receiver. In this case, an RT to RT transfer is performed.

One register is used to store the status frames:

- IP1553\_CTRL1—stores the value of the first status word received during the 1553 transaction. The register stores also the value of the second status word received during the 1553 transaction.

### 35.6.3.1 Data Frame Transfer

Three configurations are possible for a data frame transfer:

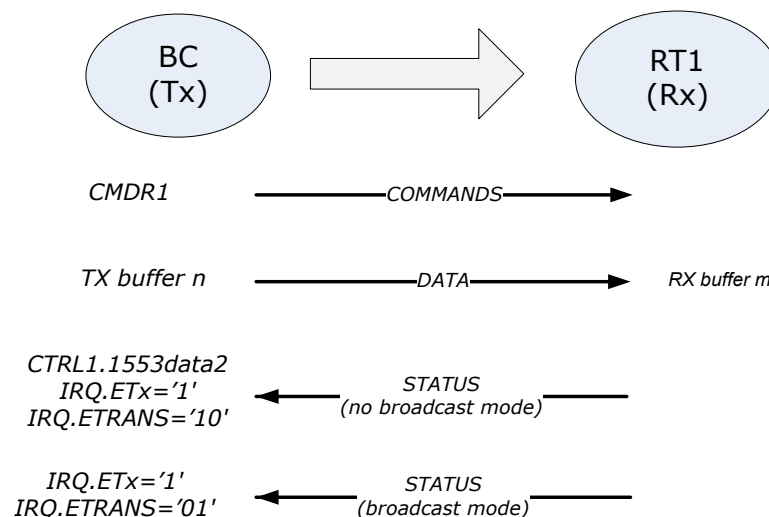
#### **BC is considered as transmitter and RT1 as receiver**

Commands are sent from BC to RT1 via BC IP1553\_CMDR1 register.

Data are sent from BC to RT1 from TX buffer n to RX buffer m.

Once all data have been transmitted, the status is updated in return depending whether Broadcast mode is enabled or not.

**Figure 35-6.** Data Frame Transfer: BC as Transmitter and RT1 as Receiver



#### **RT1 is considered as transmitter and BC as receiver**

Commands are sent from RT1 to BC via the register IP1553\_CMDR2.

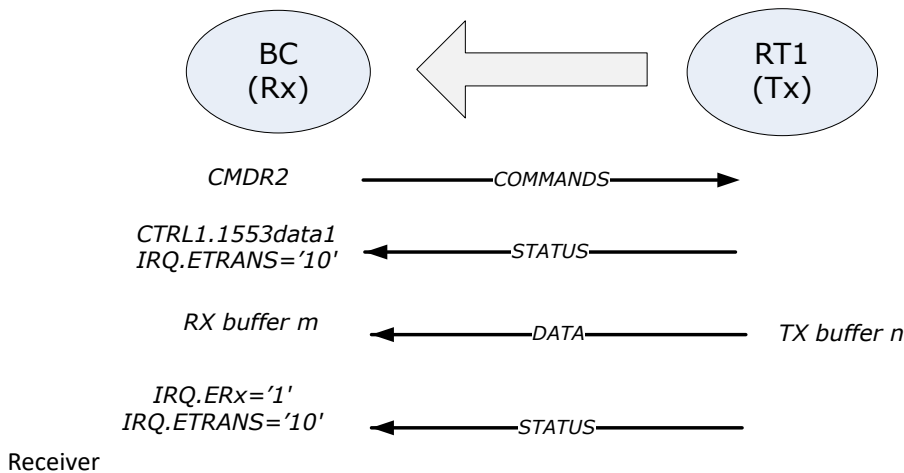
Status is sent to from RT1 to BC in returns and stored in IP1553\_CTRL1.IP1553DATA1.

Data are sent from RT1 to BC from TX buffer n to RX buffer m.

Once all data have been transmitted, the status is updated in return.



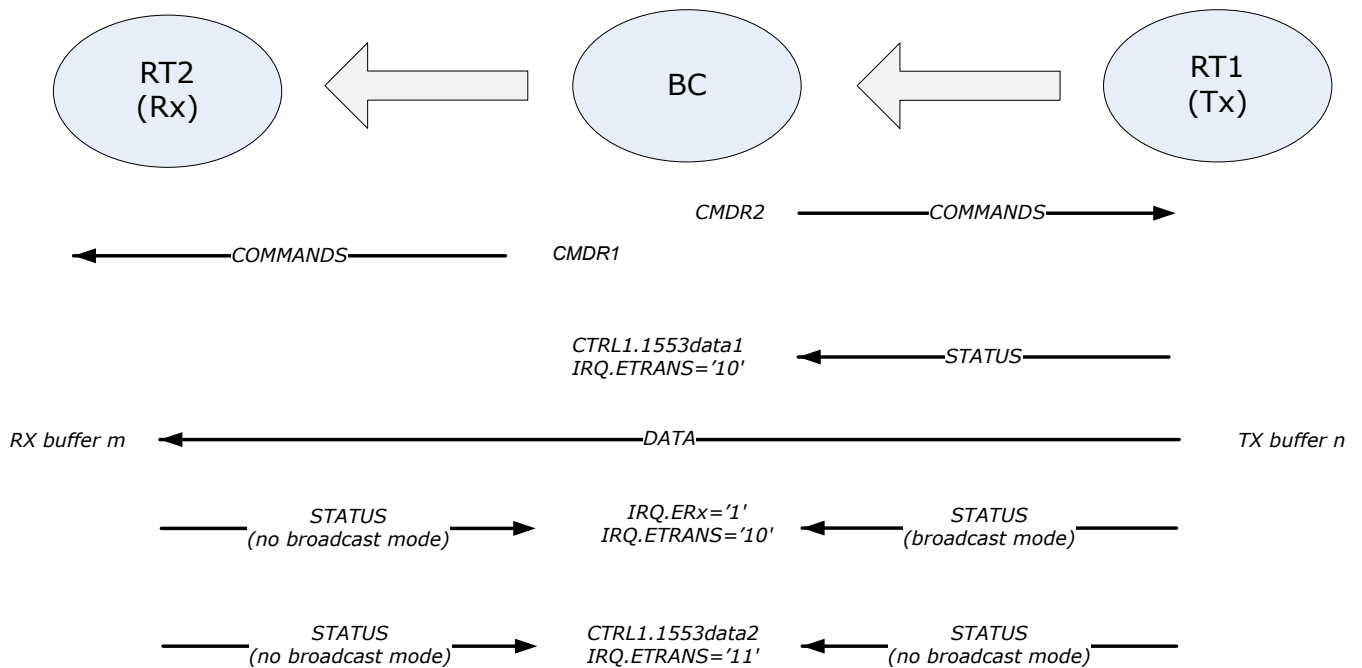
**Figure 35-7.** Data Frame Transfer: RT1 as transmitter and BC as



**RT1 is considered as transmitter and RT2 as receiver**

Commands are sent to RT2 via IP1553\_CMDR1 register and to RT1 via the register IP1553\_CMDR2. Status is sent to from RT1 to BC in returns and stored in IP1553\_CTRL1.1553DATA1. Data are sent from RT1 to RT2 from TX buffer n to RX buffer m. Status is sent to from RT1 and RT2 to BC in return and stored in IP1553\_CTRL1.1553DATA2 if Broadcast mode is not enabled.

**Figure 35-8.** Data Frame Transfer: RT1 as transmitter and RT2 as Receiver



**35.6.3.2 Command Frame Transfer**

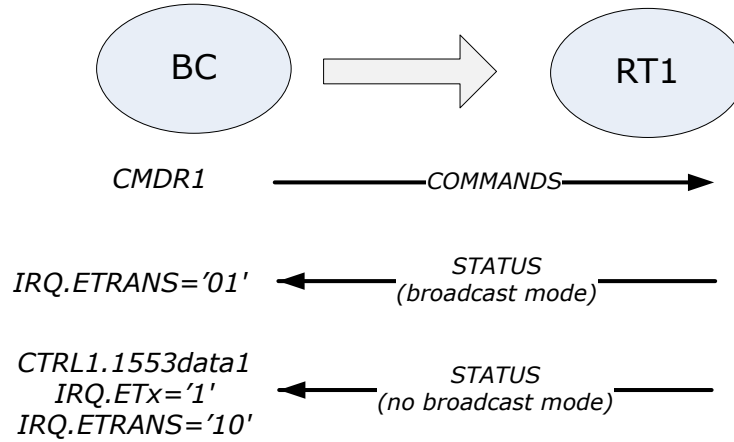
Three configurations are possible for a command frame transfer:

**Command mode does not include data**

The command is sent via the register IP1553\_CMDR1.

Status is collected via IP1553\_CRTL1.1553DATA1, if Broadcast mode is not enabled.

**Figure 35-9.** Command Frame Transfer



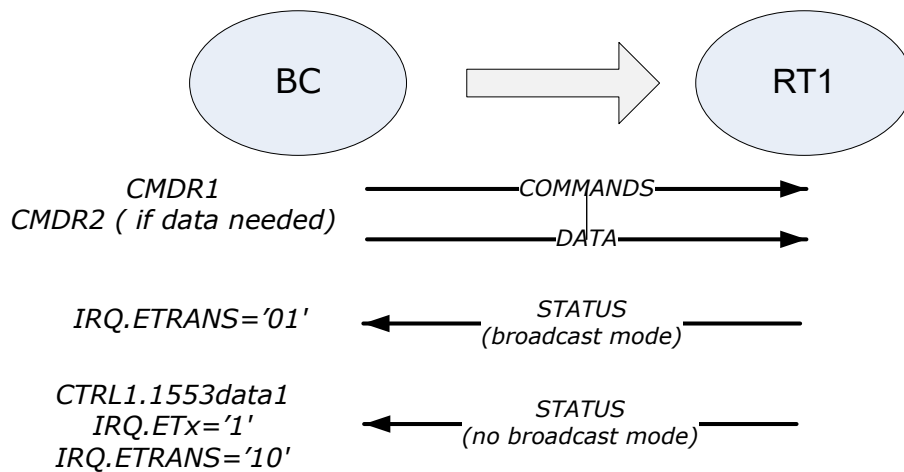
**Command mode includes data to be sent to the receiver**

The command is sent via the register IP1553\_CMDR1.

Data is sent via the register IP1553\_CMDR2.

Status is collected via IP1553\_CRTL1.1553DATA1, if Broadcast mode is not enabled.

**Figure 35-10.** Command Frame Transfer: Data sent to Receiver



**Command mode includes data to be sent by the receiver**

The command is sent via the register IP1553\_CMDR1.

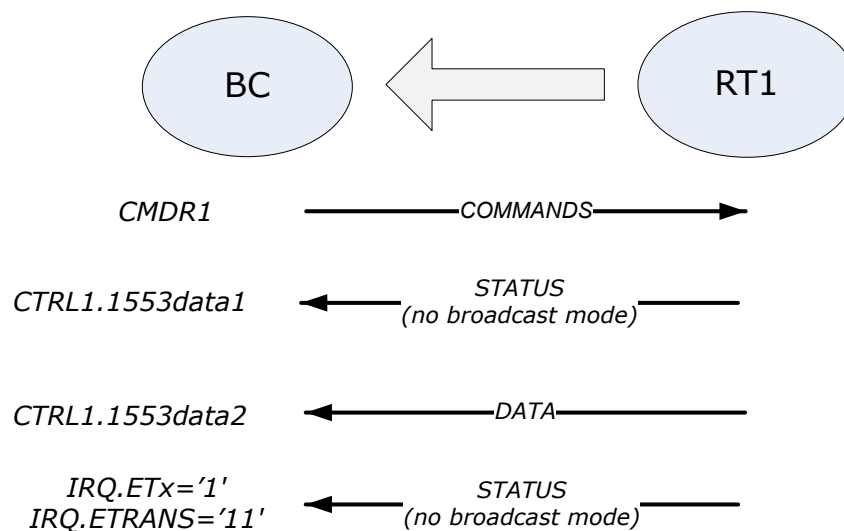
Status is collected via IP1553\_CRTL1.1553DATA1.

Data is sent via the register IP1553\_CMDR2.

Status is collected via IP1553\_CTRL1.1553DATA1 if Broadcast mode is not enabled.

Data is collected via IP1553\_CTRL1.1553DATA2 and the IRQ register is updated accordingly.

**Figure 35-11.** Command Frame Transfer: Data sent by Receiver



## 35.6.4 Remote Terminal (RT) Mode

### 35.6.4.1 Status Transfer

When configured in RT mode, the 1553 features a specific behavior depending on the command received from the 1553 network. In any case, it sends a status word in return for the command word previously sent.

After 4 µsec, the 1553 status word is automatically sent to the 1553 Bus Controller.

**Table 35-2.** 1553 Commands List

1553 Command Name	Consequence	1553 Status Word
Dynamic Bus control	IP1553_ISR.DBR=1 <sup>(1)</sup>	Dynamic Bus control acceptance OK
	IP1553_ISR.DBR=0 <sup>(2)</sup>	Dynamic Bus control acceptance KO
Synchronize without data word	IP1553_ISR.SWD=1	Status=OK
Synchronize with data word	IP1553_ISR.SDR=1	
	IP1553_CTRL1. IP1553DATA1=Data	Status=OK
Transmit status word	NA	Status= response to the last command previously sent (except for transmit status word or transmit last status word)
Initiate self test	IP1553_ISR.STR=1	Status=OK
Transmit built in test	NA	Status=OK+ BIT register content
Transmitter shutdown	Inhibits the Bus A if cmd is received on bus B	Status = OK
	Inhibits the Bus B if cmd is received on bus A IP1553_ISR.TSR=1	
Override transmitter shutdown	Inhibits the Bus A if cmd is received on bus B Inhibits the Bus B if cmd is received on bus A IP1553_ISR.OSR=1	Status = OK

.....continued

1553 Command Name	Consequence	1553 Status Word
Inhibit terminal flag bit	Resets the terminal flag bit in the Status frame. IP1553_ISR.ITF=1 IP1553_CR.TC is not relevant.	Status = OK
Override inhibit terminal flag bit	Activates the terminal flag bit in the Status frame. IP1553_ISR.OTF=1 IP1553_CR.TC is relevant	Status = OK
Reset remote terminal	IP1553_ISR.RRT=1	Status = OK
Transmit vector word	IP1553_ISR.TVR=1	Status + IP1553_VWR content
Transmit last command word	—	Status + last received command word.
Transmit command <sup>(1)</sup>	Once all data are transferred: IP1553_ISR.ETX=1 IP1553_TXBSR.TFn=0	Status + data coming from the 1553 TX buffer n.
	If buffer is not prepared: IP1553_ISR.TE=1 IP1553_TXBAER.TERn=1	Status only
Receive command <sup>(2)</sup>	After the reception of all data: IP1553_ISR.EMT=1 IP1553_RXBSR.REn=0	Status OK
	If an error appears: Buffer busy: IP1553_ISR.MTE=1 IP1553_RXBSR.RERn=1 During the reception of data: IP1553_ISR.TE=1	Status KO + send an invalid command

**Notes:**

1. IP1553\_CR.BEC shall be equal to 1.
2. IP1553\_CR.BEC shall be equal to 0.

In both cases, an interrupt is generated if it has been previously enabled.

### 35.6.4.2 Broadcast Commands

A command received with a remote terminal address field equal to 0b11111 is considered as a broadcast command. The same operations are realized as described in the section “[Status Transfer](#)”. The differences are listed in the following table.

**Table 35-3.** 1553 Commands List – Broadcast Mode

1553 Command Name	Specificity of Broadcast Command	Status Word	
		Broadcast Bit	Message Error Bit
Dynamic Bus control	Not allowed	0b'1'	0b'1'
Transmit status word	Command discards/No status sent	Same	Same
Initiate self test	No status sent	0b'1'	0b'0'
Transmitter shutdown	No status sent	0b'1'	0b'0'
Override transmitter shutdown	No status sent	0b'1'	0b'0'
Inhibit terminal flag bit	No status sent	0b'1'	0b'0'
Override inhibit terminal flag bit	No status sent	0b'1'	0b'0'
Reset remote terminal	No status sent	0b'0'	0b'0'
Transmit vector word	Not allowed	0b'1'	0b'1'
Synchronize without/with data word	No status sent	0b'1'	0b'0'
Transmit last command	Command discards/No status sent	Same	Same

.....continued

1553 Command Name	Specificity of Broadcast Command	Status Word	
		Broadcast Bit	Message Error Bit
Transmit BIT word	Not allowed	0b'1'	0b'1'
Transmitter shutdown	Command discards/No status sent	Same	Same
Override transmitter shutdown	Command discards/No status sent	Same	Same
Transmit command	Not allowed	0b'1'	0b'1'
Receive command	No status sent	0b'1'	0b'0'

### 35.6.5 Error Detection

The 1553 in RT or BC mode can detect different errors at different levels (physical and frame). In each case, a specific bit is set and an interrupt is generated when the corresponding interruption is previously enabled.

**Table 35-4.** Error List

Error Type	BC/RT	Behavior
Manchester code error	All	IP1553_ISR.TE='1'
		IP1553_ISR.TCE='1'
Parity error	All	IP1553_ISR.TE='1'
		IP1553_ISR.TPE='1'
Type of data error	All	IP1553_ISR.TE='1'
		IP1553_ISR.TDE='1'
Time out error	All	IP1553_ISR.TE='1'
		IP1553_ISR.TTE='1'
Error in number of word detected (not a time out error)	All	IP1553_ISR.TE='1'
		IP1553_ISR.TWE='1'
Illegal command	RT	IP1553_ISR.TE='1'
		Status frame has the message bit error set to '1'. (in broadcast mode, no status is sent back)
Invalid command <sup>(1)</sup>	RT	IP1553_ISR.TE='1'. Status frame has the message bit error set to '1'.
Illegal request <sup>(2)</sup>	BC	IP1553_ISR.TE='1' or IP1553_ISR.ITR='1'

**Notes:**

1. An invalid command is a command with a valid command word but for which one or more data words are not compliant with parity, Manchester encoding, bit number, and sync field, or word number test.
2. A mode command transfer request is illegal when mode command word is not defined or defined as reserved in the 1553 standard.  
A data transfer request is illegal in any of the following cases:
  - IP1553\_CMDR1.TR = '0'
  - The terminal address is set to '11111'
  - IP1553\_CMDR2.TR='1'

### 35.6.6 1553 Interface Setup

To configure the 1553 network, the user must select the bus A or B for transfer:

- IP1553\_CMDR3.BUS='0' for bus A
- IP1553\_CMDR3.BUS='1' for bus B

The interruptions must be enabled to see the status of the various transactions.

### 35.6.6.1 Configuration in BC Mode

To configure the 1553 interface in BC mode, perform the steps:

1. Set IP1553\_CR.PT='1' to configure the terminal as a Bus Controller
2. Define the command frame to be sent:
  - IP1553\_CMDR1 relative to data receiver device
  - IP1553\_CMDR2 relative to data transmitter device
3. If data are to be sent:
  - Specify the base address of the 1553 TX buffer in the register IP1553\_ARW
  - Place the data to send in the 1553 TX buffer n
  - Set the 1553 TX buffer n status (IP1553\_TXBSR) to data ready to send  
**Note:** To send 32 word count, datawordcount shall be equal to 0.
4. If data are to be received:
  - Specify the base address of the 1553 RX buffer in the register IP1553\_ARR
  - Set the 1553 RX buffer n status (IP1553\_RXBSR) to free to receive data  
**Note:** To receive 32 word count, datawordcount shall be equal to 0.
5. Specify that the BC device is a data emitter, a data transmitter or none:
  - IP1553\_CMDR3.BCE='1' is a data emitter
  - IP1553\_CMDR3.BCR='1' is a data transmitter
  - IP1553\_CMDR3.BCE='0' and IP1553\_CMDR3.BCR='0' for none
6. Specify that the BC device is a data emitter, a data transmitter or none:
  - IP1553\_CMDR3.BCE='1' is a data emitter
  - IP1553\_CMDR3.BCR='1' is a data transmitter
  - IP1553\_CMDR3.BCE='0' and IP1553\_CMDR3.BCR='0' for none
7. Enable the transfer by specifying whether it is a data transfer or a command transfer:
  - IP1553\_CMDR3.ER='0' for a data transfer
  - IP1553\_CMDR3.ER='1' for a command transfer  
**Note:** The register shall be written one time.

### 35.6.6.2 Configuration in RT Mode

To configure the device in RT mode, follow the steps below:

1. Set IP1553\_CR.PT='0' to configure the terminal as a Remote Terminal.
2. Specify the address of the remote device by configuring IP1553\_CR.TA=0b'xxxxx'. (A soft reset shall be performed to update the change of BC or RT mode.)
3. If data are to be sent:
  - Specify the base address of the 1553 TX buffer in the register IP1553\_ARW.
  - Place the data to send in the 1553 TX buffer n.
  - Set the 1553 TX buffer n status (IP1553\_TXBSR) to data ready to send.
4. If data are to be received:
  - Specify the base address of the 1553 RX buffer in the register IP1553\_ARR.
  - Set the 1553 RX buffer n status (IP1553\_RXBSR) to free to receive data.  
It should then receive the frame from the 1553 network.

## 35.7 Register Summary

Offset	Name	Bit Pos.	7	6	5	4	3	2	1	0	
0x00	IP1553_CR	7:0	SC	TC	TA[4:0]						PT
		15:8					RST	BEC	SRC	BC	
		23:16									
		31:24									
0x04 ... 0x0B	Reserved										
0x0C	IP1553_CMDR1	7:0	RTSUBADDRESS[2:0]			DATAWORDCOUNT[4:0]					
		15:8	RTADDRESS[4:0]				T_R	RTSUBADDRESS[4:3]			
		23:16									
		31:24									
0x10	IP1553_CMDR2	7:0	RTSUBADDRESS[2:0]			DATAWORDCOUNT[4:0]					
		15:8	RTADDRESS[4:0]				T_R	RTSUBADDRESS[4:3]			
		23:16									
		31:24									
0x14	IP1553_CMDR3	7:0					ER	BCR	BCE	BUS	
		15:8									
		23:16									
		31:24									
0x18	IP1553_BITR	7:0	TOBITWORD[7:0]								
		15:8	TOBITWORD[15:8]								
		23:16									
		31:24									
0x1C	IP1553_VWR	7:0	TOVECTORWORD[7:0]								
		15:8	TOVECTORWORD[15:8]								
		23:16									
		31:24									
0x20	IP1553_IER	7:0	TCE	TE	ETRANS[1:0]		ETX	ERX	MTE	EMT	
		15:8	DBR	TVR	ITR	BE	TWE	TTE	TDE	TPE	
		23:16	OTF	ITF	RRT	SWD	SDR	OSR	TSR	STR	
		31:24								IPB	
0x24	IP1553_IDR	7:0	TCE	TE	ETRANS[1:0]		ETX	ERX	MTE	EMT	
		15:8	DBR	TVR	ITR	BE	TWE	TTE	TDE	TPE	
		23:16	OTF	ITF	RRT	SWD	SDR	OSR	TSR	STR	
		31:24								IPB	
0x28	IP1553_IMR	7:0	TCE	TE	ETRANS[1:0]		ETX	ERX	MTE	EMT	
		15:8	DBR	TVR	ITR	BE	TWE	TTE	TDE	TPE	
		23:16	OTF	ITF	RRT	SWD	SDR	OSR	TSR	STR	
		31:24								IPB	
0x2C	IP1553_ISR	7:0	TCE	TE	ETRANS[1:0]		ETX	ERX	MTE	EMT	
		15:8	DBR	TVR	ITR	BE	TWE	TTE	TDE	TPE	
		23:16	OTF	ITF	RRT	SWD	SDR	OSR	TSR	STR	
		31:24							BUS	IPB	
0x30	IP1553_CTRL1	7:0	IP1553DATA1[7:0]								
		15:8	IP1553DATA1[15:8]								
		23:16	IP1553DATA2[7:0]								
		31:24	IP1553DATA2[15:8]								
0x34	IP1553_CTRL2	7:0	FROMVECTORWORD[3:0]					FROMCOMMANDREG[3:0]			
		15:8	FROMVECTORWORD[11:4]								
		23:16	FROMVECTORWORD[15:12]								
		31:24									
0x38	IP1553_CTRL3	7:0	FROMSTATUSWORD [7:0]								
		15:8	FROMSTATUSWORD [15:8]								
		23:16	FROMBITWORD [7:0]								
		31:24	FROMBITWORD [15:8]								
0x3C	IP1553_ARW	7:0	REG_ADDR_APB_W[7:0]								
		15:8	REG_ADDR_APB_W[15:8]								
		23:16	REG_ADDR_APB_W[23:16]								
		31:24	REG_ADDR_APB_W[31:24]								

.....continued

Offset	Name	Bit Pos.	7	6	5	4	3	2	1	0
0x40	IP1553_ARR	7:0	REG_ADDR_APB_R[7:0]							
		15:8	REG_ADDR_APB_R[15:8]							
		23:16	REG_ADDR_APB_R[23:16]							
		31:24	REG_ADDR_APB_R[31:24]							
0x44	IP1553_RXBSR	7:0	RE7	RE6	RE5	RE4	RE3	RE2	RE1	RE0
		15:8	RE15	RE14	RE13	RE12	RE11	RE10	RE9	RE8
		23:16	RE23	RE22	RE21	RE20	RE19	RE18	RE17	RE16
		31:24	RE31	RE30	RE29	RE28	RE27	RE26	RE25	RE24
0x48	IP1553_RXBAER	7:0	RER7	RER6	RER5	RER4	RER3	RER2	RER1	RER0
		15:8	RER15	RER14	RER13	RER12	RER11	RER10	RER9	RER8
		23:16	RER23	RER22	RER21	RER20	RER19	RER18	RER17	RER16
		31:24	RER31	RER30	RER29	RER28	RER27	RER26	RER25	RER24
0x4C	IP1553_TXBSR	7:0	TF7	TF6	TF5	TF4	TF3	TF2	TF1	TF0
		15:8	TF15	TF14	TF13	TF12	TF11	TF10	TF9	TF8
		23:16	TF23	TF22	TF21	TF20	TF19	TF18	TF17	TF16
		31:24	TF31	TF30	TF29	TF28	TF27	TF26	TF25	TF24
0x50	IP1553_TXBAER	7:0	TER7	TER6	TER5	TER4	TER3	TER2	TER1	TER0
		15:8	TER15	TER14	TER13	TER12	TER11	TER10	TER9	TER8
		23:16	TER23	TER22	TER21	TER20	TER19	TER18	TER17	TER16
		31:24	TER31	TER30	TER29	TER28	TER27	TER26	TER25	TER24



### 35.7.1 Configuration Register

**Name:** IP1553\_CR  
**Offset:** 0x00  
**Reset:** 0x00000401  
**Property:** Read/Write

Bit	31	30	29	28	27	26	25	24
Access								
Reset								
Bit	23	22	21	20	19	18	17	16
Access								
Reset								
Bit	15	14	13	12	11	10	9	8
Access					R/W	R/W	R/W	R/W
Reset					0	1	0	0
Bit	7	6	5	4	3	2	1	0
Access	R/W	R/W	R/W	R/W	R/W			R/W
Reset	0	0	0	0	0			1

#### Bit 11 – RST Soft Reset

RST is used when changing the functioning mode from BC to RT, or from RT to BC, or any time a reset is needed.

Value	Description
1	Resets the 1553.

#### Bit 10 – BEC BCEnableCmd

When the terminal receives a valid Dynamic Bus Control mode command, it checks the BCEnableCmd and accepts/rejects the control. The acceptance/rejection is indicated in the Dynamic Bus Control bit of the status word which is sent in response to the mode command.

Value	Description
0	The terminal rejects the bus control.
1	The terminal accepts the bus control.

#### Bit 9 – SRC SREQBitCmd

Indicates the value of the Service Request bit to be returned in status word transfers.

#### Bit 8 – BC BusyBitCmd

Indicates the value of the busy bit to be returned in status word transfers.

Value	Description
1	Inhibits the transmission of the data words in response to a transmit command and its corresponding interrupt.

#### Bit 7 – SC SSBitCmd

Indicates the value of the Subsystem Flag bit to be returned in status word transfers.

**Bit 6 – TC** TRBitCmd

Indicates the value of the T/F bit to be returned in status word transfers.

**Note:** This bit is used by the terminal to claim that it is the default terminal (value '1'). It should be equal to '0' otherwise.

After reception of a valid 'Inhibit T/F Bit' command:

- the TRBitCmd is masked
- the T/F bit is maintained at logic level '0'

After reception of a valid 'Override Inhibit T/F bit':

- the TRBitCmd is unmasked
- the content of the T/F bit is application dependent and is not defined by the standard

**Bits 5:1 – TA[4:0]** TermAddressConf

Address of the remote terminal on the 1553 bus.

'00000' and '11111' are reserved by the protocol and shall never be used

**Bit 0 – PT** POTermConf

Configuration of the terminal after a hardware reset of the 1553.

Value	Description
0	Configures the terminal as a Remote Terminal.
1	Configures the terminal as a Bus Controller. (default state)

### 35.7.2 Command Register 1

**Name:** IP1553\_CMDR1  
**Offset:** 0xC  
**Reset:** 0x00000000  
**Property:** Write-only

Command Register 1 is only used in BC mode. It is used with Command Register 2 and Command Register 3 in order to initiate a transfer on the 1553 bus.

These commands are relative to the receiver terminal.

Bit	31	30	29	28	27	26	25	24
Access								
Reset								
Bit	23	22	21	20	19	18	17	16
Access								
Reset								
Bit	15	14	13	12	11	10	9	8
Access	RTADDRESS[4:0]					T_R	RTSUBADDRESS[4:3]	
Reset	W	W	W	W	W	W	W	W
Reset	0	0	0	0	0	0	0	0
Bit	7	6	5	4	3	2	1	0
Access	RTSUBADDRESS[2:0]			DATAWORDCOUNT[4:0]				
Reset	W	W	W	W	W	W	W	W
Reset	0	0	0	0	0	0	0	0

#### Bits 15:11 – RTADDRESS[4:0] RT Address

RTADDRESS is the command if it is relevant.  
RTADDRESS is the address of the receiver of the data.

#### Bit 10 – T\_R T/R

Data transfer: Field T\_R is equal to '0'.  
Command mode: Relies on the command itself.

#### Bits 9:5 – RTSUBADDRESS[4:0] RT SUBADDRESS

When RTSUBADDRESS=0x0 or 0x1F: Data word count is a mode code.  
Other cases: RTSUBADDRESS is the sub-address inside the receiver of the data

#### Bits 4:0 – DATAWORDCOUNT[4:0] Data Word Count

When RTSUBADDRESS equals 0x'0' or 0x'1F': DATAWORDCOUNT is the mode code.

**Note:** Command word relative to the receiver terminal.

Other cases: DATAWORDCOUNT is the amount of data to be transferred.

### 35.7.3 Command Register 2

**Name:** IP1553\_CMDR2  
**Offset:** 0x10  
**Reset:** 0x00000000  
**Property:** Write-only

Command Register 2 is only used in BC mode. It is used with Command Register 1 and Command Register 3 in order to initiate a transfer on the 1553 bus Command word.

These commands are relative to the transmitter terminal.

Bit	31	30	29	28	27	26	25	24	
Access									
Reset									
Bit	23	22	21	20	19	18	17	16	
Access									
Reset									
Bit	15	14	13	12	11	10	9	8	
Access	W					W	W		
Reset	0					0	0		
Bit	7	6	5	4	3	2	1	0	
Access	W			W					
Reset	0			0					

#### Bits 15:11 – RTADDRESS[4:0] RT Address

RTADDRESS is the command parameter (bits 15 to 11) if relevant.  
RTADDRESS is the address of the sender of the data.

#### Bit 10 – T\_R R/T

Data transfer is RT to RT: Field T\_R is equal to '1'.  
Command mode: Relies on the command itself (bit 10).

#### Bits 9:5 – RTSUBADDRESS[4:0] RT SUBADDRESS

RTSUBADDRESS is the command parameter (bits 9 to 5) if relevant.  
RTSUBADDRESS is the sub-address inside the sender of the data.

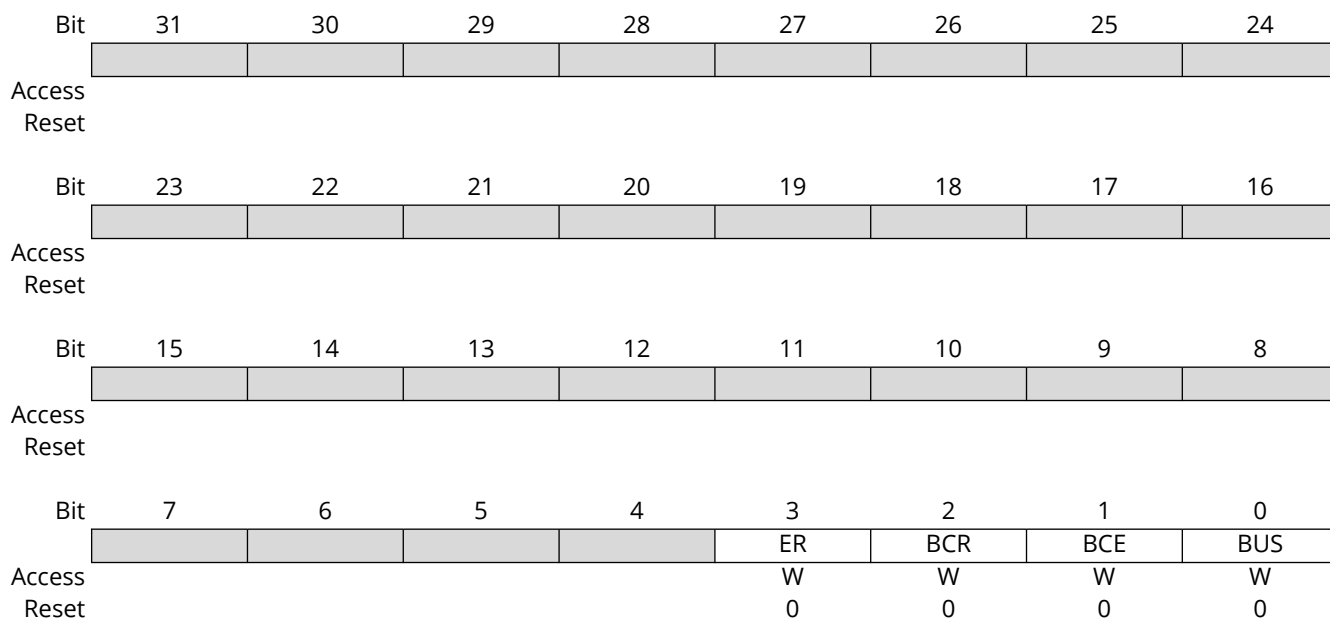
#### Bits 4:0 – DATAWORDCOUNT[4:0] Data Word Count

DATAWORDCOUNT is the amount of data to be transferred, or the command parameter (bits 4 to 0) if relevant.

### 35.7.4 Command Register 3

**Name:** IP1553\_CMDR3  
**Offset:** 0x14  
**Reset:** 0x00000000  
**Property:** Write-only

Command Register 3 is only used in BC mode. It is used with Command Register 1 and Command Register 2 in order to initiate a transfer on the 1553 bus



#### Bit 3 – ER Data Or Command Transfer

It is permitted to have both BCR and BCE set to '0'. This corresponds to an RT-to-RT transfer, where the bus controller is neither transmitter nor receiver.

It is illegal to have both BCR and BCE set to '1' since a BC cannot be emitter and receiver at the same time.

Value	Description
0	Initiates a data transfer on the bus.
1	Initiates a mode command transfer on the bus.

#### Bit 2 – BCR 1553 Receiver

Value	Description
0	Indicates that the product is not the receiver of the data.
1	Indicates that the product is the receiver of the data.

#### Bit 1 – BCE 1553 Emitter

Value	Description
0	Indicates that the product is not the emitter of the data.
1	Indicates that the product is the emitter of the data.

#### Bit 0 – BUS Bus Used

Value	Description
0	Indicates that the transfer uses BUS A.
1	Indicates that the transfer uses BUS B.

### 35.7.5 BIT Register

**Name:** IP1553\_BITR  
**Offset:** 0x18  
**Reset:** 0x00000000  
**Property:** Write-only

This register is only used in RT mode. The BIT register is used to store the built-in self test results. It contains the value to be sent by the terminal in response to a 'Transmit Built-In Test' command

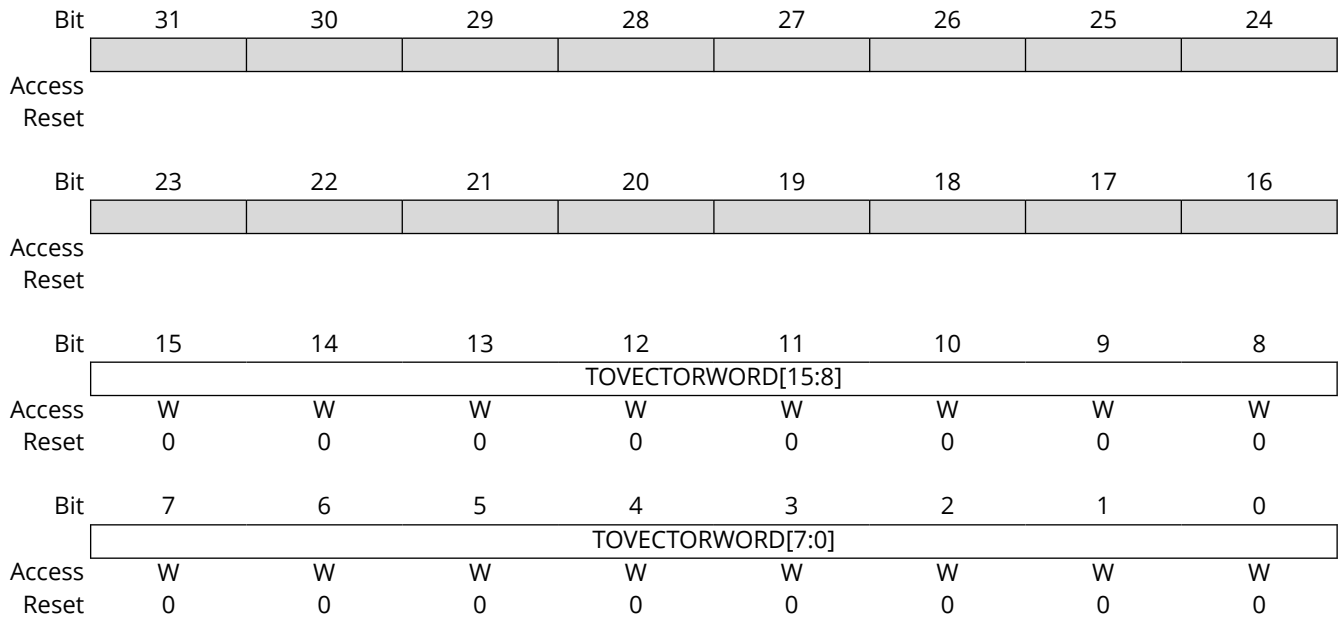
Bit	31	30	29	28	27	26	25	24
Access								
Reset								
Bit	23	22	21	20	19	18	17	16
Access								
Reset								
Bit	15	14	13	12	11	10	9	8
Access	TOBITWORD[15:8]							
Reset	W	W	W	W	W	W	W	W
Reset	0	0	0	0	0	0	0	0
Bit	7	6	5	4	3	2	1	0
Access	TOBITWORD[7:0]							
Reset	W	W	W	W	W	W	W	W
Reset	0	0	0	0	0	0	0	0

**Bits 15:0 – TOBITWORD[15:0] To Bit Word**  
The register stores the data used in Built-In Test mode.

### 35.7.6 Vector Word Register

**Name:** IP1553\_VWR  
**Offset:** 0x1C  
**Reset:** 0x00000000  
**Property:** Write-only

This register is only used in RT mode. The Vector Word register stores the value to be sent by the terminal in response to a 'Transmit Vector Word' command. Refer to the section "Broadcast Commands".



**Bits 15:0 – TOVECTORWORD[15:0]** To Vector Word  
 The register stores the data used in Vector Word mode.

### 35.7.7 IRQ Mask Enable Register

**Name:** IP1553\_IER  
**Offset:** 0x20  
**Reset:** 0x00000000  
**Property:** Write-only

The bits can be set individually by writing a '1' in the corresponding position of the IRQ Mask Enable register. See [35.7.10. IP1553\\_ISR](#) for more details.

Bit	31	30	29	28	27	26	25	24
								IPB
Access								W
Reset								0
Bit	23	22	21	20	19	18	17	16
	OTF	ITF	RRT	SWD	SDR	OSR	TSR	STR
Access	W	W	W	W	W	W	W	W
Reset	0	0	0	0	0	0	0	0
Bit	15	14	13	12	11	10	9	8
	DBR	TVR	ITR	BE	TWE	TTE	TDE	TPE
Access	W	W	W	W	W	W	W	W
Reset	0	0	0	0	0	0	0	0
Bit	7	6	5	4	3	2	1	0
	TCE	TE	ETTRANS[1:0]		ETX	ERX	MTE	EMT
Access	W	W	W	W	W	W	W	W
Reset	0	0	0	0	0	0	0	0

**Bit 24 – IPB** IPBusy

**Bit 23 – OTF** OvInhibitTermFlagReq

**Bit 22 – ITF** InhibitTermFlagReq

**Bit 21 – RRT** ResetRTReq

**Bit 20 – SWD** SyncWithoutDataReq

**Bit 19 – SDR** SyncWithDataReq

**Bit 18 – OSR** OvTranShutdownReq

**Bit 17 – TSR** TranShutdownReq

**Bit 16 – STR** InitSelfTestReq

**Bit 15 – DBR** DynamicBusContReq

**Bit 14 – TVR** TransVecWordReq

**Bit 13 – ITR** IllegalTransferReq



**Bit 12 - BE** BufIFErr

**Bit 11 - TWE** TransWordCounterErr

**Bit 10 - TTE** TransTimeOutErr

**Bit 9 - TDE** TransDataTypeErr

**Bit 8 - TPE** TransParityErr

**Bit 7 - TCE** TransCodingErr

**Bit 6 - TE** TransErr

**Bits 5:4 - ETRANS[1:0]** EndTransfer

**Bit 3 - ETX** EndTransmission

**Bit 2 - ERX** End reception

**Bit 1 - MTE** MemTransferErr

**Bit 0 - EMT** EndMemTransfer

### 35.7.8 IRQ Mask Disable Register

**Name:** IP1553\_IDR  
**Offset:** 0x24  
**Reset:** 0x00000000  
**Property:** Write-only

The bits can be reset individually by writing a '1' in the corresponding position of the IRQ Mask Disable Register. See [35.7.10. IP1553\\_ISR](#) for more details.

Bit	31	30	29	28	27	26	25	24
								IPB
Access								W
Reset								0
Bit	23	22	21	20	19	18	17	16
	OTF	ITF	RRT	SWD	SDR	OSR	TSR	STR
Access	W	W	W	W	W	W	W	W
Reset	0	0	0	0	0	0	0	0
Bit	15	14	13	12	11	10	9	8
	DBR	TVR	ITR	BE	TWE	TTE	TDE	TPE
Access	W	W	W	W	W	W	W	W
Reset	0	0	0	0	0	0	0	0
Bit	7	6	5	4	3	2	1	0
	TCE	TE	ETTRANS[1:0]		ETX	ERX	MTE	EMT
Access	W	W	W	W	W	W	W	W
Reset	0	0	0	0	0	0	0	0

**Bit 24 – IPB** IPBusy

**Bit 23 – OTF** OvInhibitTermFlagReq

**Bit 22 – ITF** InhibitTermFlagReq

**Bit 21 – RRT** ResetRTReq

**Bit 20 – SWD** SyncWithoutDataReq

**Bit 19 – SDR** SyncWithDataReq

**Bit 18 – OSR** OvTranShutdownReq

**Bit 17 – TSR** TranShutdownReq

**Bit 16 – STR** InitSelfTestReq

**Bit 15 – DBR** DynamicBusContReq

**Bit 14 – TVR** TransVecWordReq

**Bit 13 – ITR** IllegalTransferReq

**Bit 12 - BE** BufIFErr

**Bit 11 - TWE** TransWordCounterErr

**Bit 10 - TTE** TransTimeOutErr

**Bit 9 - TDE** TransDataTypeErr

**Bit 8 - TPE** TransParityErr

**Bit 7 - TCE** TransCodingErr

**Bit 6 - TE** TransErr

**Bits 5:4 - ETRANS[1:0]** EndTransfer

**Bit 3 - ETX** EndTransmission

**Bit 2 - ERX** End reception

**Bit 1 - MTE** MemTransferErr

**Bit 0 - EMT** EndMemTransfer

### 35.7.9 IRQ Mask register

**Name:** IP1553\_IMR  
**Offset:** 0x28  
**Reset:** 0x00000000  
**Property:** Read-only

The IRQ Mask Register content can be read at address 0x0028. Each bit corresponds to an interrupt source. See [35.7.10. IP1553\\_ISR](#) for more details.

Bit	31	30	29	28	27	26	25	24
								IPB
Access								R
Reset								0
Bit	23	22	21	20	19	18	17	16
	OTF	ITF	RRT	SWD	SDR	OSR	TSR	STR
Access	R	R	R	R	R	R	R	R
Reset	0	0	0	0	0	0	0	0
Bit	15	14	13	12	11	10	9	8
	DBR	TVR	ITR	BE	TWE	TTE	TDE	TPE
Access	R	R	R	R	R	R	R	R
Reset	0	0	0	0	0	0	0	0
Bit	7	6	5	4	3	2	1	0
	TCE	TE	ETTRANS[1:0]		ETX	ERX	MTE	EMT
Access	R	R	R	R	R	R	R	R
Reset	0	0	0	0	0	0	0	0

**Bit 24 – IPB** IPBusy

**Bit 23 – OTF** OvInhibitTermFlagReq

**Bit 22 – ITF** InhibitTermFlagReq

**Bit 21 – RRT** ResetRTReq

**Bit 20 – SWD** SyncWithoutDataReq

**Bit 19 – SDR** SyncWithDataReq

**Bit 18 – OSR** OvTranShutdownReq

**Bit 17 – TSR** TranShutdownReq

**Bit 16 – STR** InitSelfTestReq

**Bit 15 – DBR** DynamicBusContReq

**Bit 14 – TVR** TransVecWordReq

**Bit 13 – ITR** IllegalTransferReq

**Bit 12 - BE** BufIFErr

**Bit 11 - TWE** TransWordCounterErr

**Bit 10 - TTE** TransTimeOutErr

**Bit 9 - TDE** TransDataTypeErr

**Bit 8 - TPE** TransParityErr

**Bit 7 - TCE** TransCodingErr

**Bit 6 - TE** TransErr

**Bits 5:4 - ETRANS[1:0]** EndTransfer

**Bit 3 - ETX** EndTransmission

**Bit 2 - ERX** End reception

**Bit 1 - MTE** MemTransferErr

**Bit 0 - EMT** EndMemTransfer

### 35.7.10 IRQ Status Register

**Name:** IP1553\_ISR  
**Offset:** 0x2C  
**Reset:** 0x00000000  
**Property:** Read Only

The IRQ Status register is used to report the end of transfers and errors that are detected on the bus during operation. The use of the different bits of this register are presented in detail in the functional description of the block. All of the interrupts are active high.

**Note:** The register is clear on read.

Bit	31	30	29	28	27	26	25	24
							BUS	IPB
Access							COR	COR
Reset							0	0
Bit	23	22	21	20	19	18	17	16
	OTF	ITF	RRT	SWD	SDR	OSR	TSR	STR
Access	COR	COR	COR	COR	COR	COR	COR	COR
Reset	0	0	0	0	0	0	0	0
Bit	15	14	13	12	11	10	9	8
	DBR	TVR	ITR	BE	TWE	TTE	TDE	TPE
Access	COR	COR	COR	COR	COR	COR	COR	COR
Reset	0	0	0	0	0	0	0	0
Bit	7	6	5	4	3	2	1	0
	TCE	TE	ETTRANS[1:0]		ETX	ERX	MTE	EMT
Access	COR	COR	COR	COR	COR	COR	COR	COR
Reset	0	0	0	0	0	0	0	0

#### Bit 25 – BUS Bus selected on last transfer.

Value	Description
0	BUS A selected
1	BUS B selected

**Note:** This field does not generate interruption.

#### Bit 24 – IPB IPBusy

This signal is only useful in BC mode.

**Note:** The register is clear on read.

Value	Description
1	Indicates that the macrocell does not accept a new command.

#### Bit 23 – OTF OvInhibitTermFlagReq

Value	Description
1	Indicates that a valid 'Override Inhibit Terminal Flag bit' has been received.

#### Bit 22 – ITF InhibitTermFlagReq

Value	Description
1	Indicates that a valid 'Inhibit Terminal Flag bit' has been received.

#### Bit 21 – RRT ResetRTReq

Value	Description
1	Indicates that a valid 'Reset Remote Terminal' has been received.

**Bit 20 – SWD SyncWithoutDataReq**

Value	Description
1	Indicates that a valid 'Synchronize Without Data Word' has been received.

**Bit 19 – SDR SyncWithDataReq**

Value	Description
1	Indicates that a valid 'Synchronize With Data Word' has been received. The data is then available on the IP1553Data1 bus.

**Bit 18 – OSR OvTranShutdownReq**

Value	Description
1	Indicates that a valid 'Override Selected Transmitter Shutdown' has been received.

**Bit 17 – TSR TranShutdownReq**

Value	Description
1	Indicates that a valid 'Selected Transmitter Shutdown' has been received.

**Bit 16 – STR InitSelfTestReq**

Value	Description
1	Indicates that a valid 'Initiate Self-Test' has been received.

**Bit 15 – DBR DynamicBusContReq**

Value	Description
1	Indicates that a valid 'Dynamic Bus Control' has been received. The level of the BCEnableCmd signal has no effect on this signal.

**Bit 14 – TVR TransVecWordReq**

Value	Description
1	Indicates that a valid 'Transmit Vector Word' has been received.

**Bit 13 – ITR IllegalTransferReq**

Value	Description
1	Indicates that the transfer which has been commanded via the command IF is not legal and will not be performed.

**Bit 12 – BE BufIFErr**

Value	Description
1	Indicates that a data word transmission has been stopped because data have not been provided in time on the Buffer interface.

**Bit 11 – TWE TransWordCounterErr**

Value	Description
1	Indicates that the number of words received does not correspond to the number of words expected.

**Bit 10 – TTE TransTimeOutErr**

Value	Description
1	Indicates the response time of the addressed terminal is greater than expected or that the response is missing.

**Bit 9 – TDE TransDataTypeErr**

Value	Description
1	Indicates that a data word has been received when a command word was expected and vice-versa.

**Bit 8 – TPE TransParityErr**

Value	Description
1	Indicates that a parity error has been detected on a received word.

**Bit 7 – TCE** TransCodingErr

Value	Description
1	Indicates that a Manchester code error has been detected on a word that has been received.

**Bit 6 – TE** TransErr

Value	Description
1	Indicates that an error has occurred during processing of the reception, transmission, or transfer.

**Bits 5:4 – ETRANS[1:0]** EndTransfer

When set to 0b'01', 0b'10' or 0b'11', this signal indicates that the data or mode command transfer has ended:

- 0b'00': Not used.
- 0b'01': No status word has been received.
- 0b'10': Indicates that one status word has been received and is available in IP1553\_CTRL1.IP1553DATA1.
- 0b'11': Indicates that two status words have been received and are available in IP1553\_CTRL1.IP1553DATA1 and IP1553\_CTRL1.IP1553DATA2

**Bit 3 – ETX** EndTransmission

Value	Description
1	Indicates that a data transmission has ended.

**Bit 2 – ERX** End reception

Value	Description
1	Indicates that a data reception is ended.

**Bit 1 – MTE** MemTransferErr

Value	Description
1	Indicates that a R/W memory transfer error has occurred.

**Bit 0 – EMT** EndMemTransfer

Value	Description
1	Indicates that a R/W memory transfer has succeeded.



### 35.7.11 Control Register 1

**Name:** IP1553\_CTRL1  
**Offset:** 0x30  
**Reset:** 0x00000000  
**Property:** Read-only

Bit	31	30	29	28	27	26	25	24
	IP1553DATA2[15:8]							
Access	R	R	R	R	R	R	R	R
Reset	0	0	0	0	0	0	0	0
Bit	23	22	21	20	19	18	17	16
	IP1553DATA2[7:0]							
Access	R	R	R	R	R	R	R	R
Reset	0	0	0	0	0	0	0	0
Bit	15	14	13	12	11	10	9	8
	IP1553DATA1[15:8]							
Access	R	R	R	R	R	R	R	R
Reset	0	0	0	0	0	0	0	0
Bit	7	6	5	4	3	2	1	0
	IP1553DATA1[7:0]							
Access	R	R	R	R	R	R	R	R
Reset	0	0	0	0	0	0	0	0

#### Bits 31:16 – IP1553DATA2[15:0] IP1553 Data Value 2

In BC mode, this bus gives the value of the second status word received during the exchange of data words.

#### Bits 15:0 – IP1553DATA1[15:0] IP1553 Data Value 1

In RT mode, this bus gives the value of the data word received in a 'Synchronize with Data Word' mode command.

In BC mode, this bus gives the value of the first status word received during the exchange of a mode command or of data words.

### 35.7.12 Control Register 2

**Name:** IP1553\_CTRL2  
**Offset:** 0x34  
**Reset:** 0x00000000  
**Property:** Read-only

Bit	31	30	29	28	27	26	25	24
Access								
Reset								
Bit	23	22	21	20	19	18	17	16
Access					FROMVECTORWORD[15:12]			
Reset					R	R	R	R
Access					0	0	0	0
Reset					0	0	0	0
Bit	15	14	13	12	11	10	9	8
Access	FROMVECTORWORD[11:4]							
Reset	R	R	R	R	R	R	R	R
Access	0	0	0	0	0	0	0	0
Reset	0	0	0	0	0	0	0	0
Bit	7	6	5	4	3	2	1	0
Access	FROMVECTORWORD[3:0]				FROMCOMMANDREG[3:0]			
Reset	R	R	R	R	R	R	R	R
Access	0	0	0	0	0	0	0	0
Reset	0	0	0	0	0	0	0	0

**Bits 19:4 – FROMVECTORWORD[15:0]** From Vector Word Register  
Provides the content of the Vector Word register.

**Bits 3:0 – FROMCOMMANDREG[3:0]** From Command Register 3  
Provides the content of the Command register 3.

### 35.7.13 Control Register 3

**Name:** IP1553\_CTRL3  
**Offset:** 0x38  
**Reset:** 0x00000000  
**Property:** Read-only

Bit	31	30	29	28	27	26	25	24
	FROMBITWORD [15:8]							
Access	R	R	R	R	R	R	R	R
Reset	0	0	0	0	0	0	0	0
Bit	23	22	21	20	19	18	17	16
	FROMBITWORD [7:0]							
Access	R	R	R	R	R	R	R	R
Reset	0	0	0	0	0	0	0	0
Bit	15	14	13	12	11	10	9	8
	FROMSTATUSWORD [15:8]							
Access	R	R	R	R	R	R	R	R
Reset	0	0	0	0	0	0	0	0
Bit	7	6	5	4	3	2	1	0
	FROMSTATUSWORD [7:0]							
Access	R	R	R	R	R	R	R	R
Reset	0	0	0	0	0	0	0	0

**Bits 31:16 – FROMBITWORD [15:0]** Content of BIT Register  
Provides the content of the BIT register.

**Bits 15:0 – FROMSTATUSWORD [15:0]** Content of Status Word Register  
Provides the content of the Status Word register. The Status Word register contains the value of the status command if it is transmitted.

### 35.7.14 Address Register Write Register

**Name:** IP1553\_ARW  
**Offset:** 0x3C  
**Reset:** 0x00000000  
**Property:** Read/Write

Bit	31	30	29	28	27	26	25	24
	REG_ADDR_APB_W[31:24]							
Access	R/W	R/W	R/W	R/W	R/W	R/W	R/W	R/W
Reset	0	0	0	0	0	0	0	0
Bit	23	22	21	20	19	18	17	16
	REG_ADDR_APB_W[23:16]							
Access	R/W	R/W	R/W	R/W	R/W	R/W	R/W	R/W
Reset	0	0	0	0	0	0	0	0
Bit	15	14	13	12	11	10	9	8
	REG_ADDR_APB_W[15:8]							
Access	R/W	R/W	R/W	R/W	R/W	R/W	R/W	R/W
Reset	0	0	0	0	0	0	0	0
Bit	7	6	5	4	3	2	1	0
	REG_ADDR_APB_W[7:0]							
Access	R/W	R/W	R/W	R/W	R/W	R/W	R/W	R/W
Reset	0	0	0	0	0	0	0	0

**Bits 31:0 – REG\_ADDR\_APB\_W[31:0]** TX Base Address  
Stores the memory base address for TX.

### 35.7.15 Address Register Read Register

**Name:** IP1553\_ARR  
**Offset:** 0x40  
**Reset:** 0x00000000  
**Property:** Read/Write

Bit	31	30	29	28	27	26	25	24
	REG_ADDR_APB_R[31:24]							
Access	R/W	R/W	R/W	R/W	R/W	R/W	R/W	R/W
Reset	0	0	0	0	0	0	0	0
Bit	23	22	21	20	19	18	17	16
	REG_ADDR_APB_R[23:16]							
Access	R/W	R/W	R/W	R/W	R/W	R/W	R/W	R/W
Reset	0	0	0	0	0	0	0	0
Bit	15	14	13	12	11	10	9	8
	REG_ADDR_APB_R[15:8]							
Access	R/W	R/W	R/W	R/W	R/W	R/W	R/W	R/W
Reset	0	0	0	0	0	0	0	0
Bit	7	6	5	4	3	2	1	0
	REG_ADDR_APB_R[7:0]							
Access	R/W	R/W	R/W	R/W	R/W	R/W	R/W	R/W
Reset	0	0	0	0	0	0	0	0

**Bits 31:0 – REG\_ADDR\_APB\_R[31:0]** RX Base Address  
Stores the memory base address for RX.

### 35.7.16 Rx Buffer Status Register

**Name:** IP1553\_RXBSR  
**Offset:** 0x44  
**Reset:** 0x00000000  
**Property:** Read/Write

This 32-bit register indicates for each of the 32 Rx Buffers whether they are free to receive data or not.

Bit	31	30	29	28	27	26	25	24
	RE31	RE30	RE29	RE28	RE27	RE26	RE25	RE24
Access	R/W	R/W	R/W	R/W	R/W	R/W	R/W	R/W
Reset	0	0	0	0	0	0	0	0
Bit	23	22	21	20	19	18	17	16
	RE23	RE22	RE21	RE20	RE19	RE18	RE17	RE16
Access	R/W	R/W	R/W	R/W	R/W	R/W	R/W	R/W
Reset	0	0	0	0	0	0	0	0
Bit	15	14	13	12	11	10	9	8
	RE15	RE14	RE13	RE12	RE11	RE10	RE9	RE8
Access	R/W	R/W	R/W	R/W	R/W	R/W	R/W	R/W
Reset	0	0	0	0	0	0	0	0
Bit	7	6	5	4	3	2	1	0
	RE7	RE6	RE5	RE4	RE3	RE2	RE1	RE0
Access	R/W	R/W	R/W	R/W	R/W	R/W	R/W	R/W
Reset	0	0	0	0	0	0	0	0

**Bits 0, 1, 2, 3, 4, 5, 6, 7, 8, 9, 10, 11, 12, 13, 14, 15, 16, 17, 18, 19, 20, 21, 22, 23, 24, 25, 26, 27, 28, 29, 30, 31 – REx Receive Buffer x**

Value	Description
0	Receive Buffer X is full. Writing a '0' is has no effect.
1	Receive Buffer X is empty. Writing a '1' to REx sets the bit to '1'.

### 35.7.17 Rx Buffer Access Error Register

**Name:** IP1553\_RXBAER  
**Offset:** 0x48  
**Reset:** 0x00000000  
**Property:** Read/Write

This 32-bit register indicates for each of the 32 Rx Buffers whether an access has failed because the buffer was busy.

Bit	31	30	29	28	27	26	25	24
	RER31	RER30	RER29	RER28	RER27	RER26	RER25	RER24
Access	R/W	R/W	R/W	R/W	R/W	R/W	R/W	R/W
Reset	0	0	0	0	0	0	0	0
Bit	23	22	21	20	19	18	17	16
	RER23	RER22	RER21	RER20	RER19	RER18	RER17	RER16
Access	R/W	R/W	R/W	R/W	R/W	R/W	R/W	R/W
Reset	0	0	0	0	0	0	0	0
Bit	15	14	13	12	11	10	9	8
	RER15	RER14	RER13	RER12	RER11	RER10	RER9	RER8
Access	R/W	R/W	R/W	R/W	R/W	R/W	R/W	R/W
Reset	0	0	0	0	0	0	0	0
Bit	7	6	5	4	3	2	1	0
	RER7	RER6	RER5	RER4	RER3	RER2	RER1	RER0
Access	R/W	R/W	R/W	R/W	R/W	R/W	R/W	R/W
Reset	0	0	0	0	0	0	0	0

**Bits 0, 1, 2, 3, 4, 5, 6, 7, 8, 9, 10, 11, 12, 13, 14, 15, 16, 17, 18, 19, 20, 21, 22, 23, 24, 25, 26, 27, 28, 29, 30, 31 – RERx Receive Error x**

Value	Description
0	No receive error detected for Buffer X. Writing a '0' has no effect.
1	Receive error detected for Buffer X. Writing a '1' to RERx resets the bit to '0'.

### 35.7.18 Tx Buffer Status Register

**Name:** IP1553\_TXBSR  
**Offset:** 0x4C  
**Reset:** 0x00000000  
**Property:** Read/Write

This 32-bit register indicates for each of the 32 Tx Buffers whether they are free to transmit data or not.

Bit	31	30	29	28	27	26	25	24
	TF31	TF30	TF29	TF28	TF27	TF26	TF25	TF24
Access	R/W	R/W	R/W	R/W	R/W	R/W	R/W	R/W
Reset	0	0	0	0	0	0	0	0
Bit	23	22	21	20	19	18	17	16
	TF23	TF22	TF21	TF20	TF19	TF18	TF17	TF16
Access	R/W	R/W	R/W	R/W	R/W	R/W	R/W	R/W
Reset	0	0	0	0	0	0	0	0
Bit	15	14	13	12	11	10	9	8
	TF15	TF14	TF13	TF12	TF11	TF10	TF9	TF8
Access	R/W	R/W	R/W	R/W	R/W	R/W	R/W	R/W
Reset	0	0	0	0	0	0	0	0
Bit	7	6	5	4	3	2	1	0
	TF7	TF6	TF5	TF4	TF3	TF2	TF1	TF0
Access	R/W	R/W	R/W	R/W	R/W	R/W	R/W	R/W
Reset	0	0	0	0	0	0	0	0

**Bits 0, 1, 2, 3, 4, 5, 6, 7, 8, 9, 10, 11, 12, 13, 14, 15, 16, 17, 18, 19, 20, 21, 22, 23, 24, 25, 26, 27, 28, 29, 30, 31 - TFX Transmit Buffer x**

Value	Description
0	Transmit Buffer X is empty. Writing a '0' has no effect.
1	Transmit Buffer X is ready to be sent. Writing a '1' to TFX sets the bit to '1'.



### 35.7.19 Tx Buffer Access Error Register

**Name:** IP1553\_TXBAER  
**Offset:** 0x50  
**Reset:** 0x00000000  
**Property:** Read/Write

This 32-bit register indicates for each of the 32 Tx Buffers whether an access has failed because the corresponding buffer was empty.

Bit	31	30	29	28	27	26	25	24
	TER31	TER30	TER29	TER28	TER27	TER26	TER25	TER24
Access	R/W	R/W	R/W	R/W	R/W	R/W	R/W	R/W
Reset	0	0	0	0	0	0	0	0
Bit	23	22	21	20	19	18	17	16
	TER23	TER22	TER21	TER20	TER19	TER18	TER17	TER16
Access	R/W	R/W	R/W	R/W	R/W	R/W	R/W	R/W
Reset	0	0	0	0	0	0	0	0
Bit	15	14	13	12	11	10	9	8
	TER15	TER14	TER13	TER12	TER11	TER10	TER9	TER8
Access	R/W	R/W	R/W	R/W	R/W	R/W	R/W	R/W
Reset	0	0	0	0	0	0	0	0
Bit	7	6	5	4	3	2	1	0
	TER7	TER6	TER5	TER4	TER3	TER2	TER1	TER0
Access	R/W	R/W	R/W	R/W	R/W	R/W	R/W	R/W
Reset	0	0	0	0	0	0	0	0

**Bits 0, 1, 2, 3, 4, 5, 6, 7, 8, 9, 10, 11, 12, 13, 14, 15, 16, 17, 18, 19, 20, 21, 22, 23, 24, 25, 26, 27, 28, 29, 30, 31 – TERx Transmit Error x**

Value	Description
0	No buffer access error detected for Buffer X. Writing a '0' has no effect.
1	Buffer access error detected for Buffer X. Writing a '1' to TERx resets the bit to '0'.

## 36. SpaceWire (SpW)

### 36.1 Description

The SpaceWire (SpW) module is used in aerospace applications as a means of communication. The SpW module performs the interface between the SpaceWire network and AHB transactions. An embedded router is included in the SpW module to perform the mapping between the two SpaceWire links connected to the SpaceWire network and one transmitter packet (Tx), one receiver packet (Rx) and one Remote Memory Access Protocol (RMAP) block connected to the internal AHB network.

The SpW module provides support for transmission of any type of protocol or data structure using SpaceWire packets. It has hardware support for logical addressing to different receivers, for execution of incoming RMAP commands, and for reception/generation of Escape Characters (Broadcast Codes) and Time Codes.

### 36.2 Embedded Characteristics

- Compliant with ECSS standards ECSS-E-ST-50, 51, 52, 53C
- SpaceWire Links: Digital Input/Output and LVDS supported
- Two SpaceWire Interfaces up to 200 Mbits/s each
- One Packet Receive block (Rx), one Packet Transmit block (Tx) and one RMAP Block connected to the AHB Interface
- One SpaceWire Router to Transmit/Receive the SpaceWire Packets from Rx, Tx and RMAP blocks to SpaceWire Link
- Fallback Scheme implemented
- Support for RMAP Protocol (ECSS-E-ST-52)
- Support for CCSDS Packet Transfer Protocol (ECSS-E-ST-53)
- SpaceWire D capabilities
- Support for Reception/Generation of Escape Characters (Broadcast Codes) and Time Codes

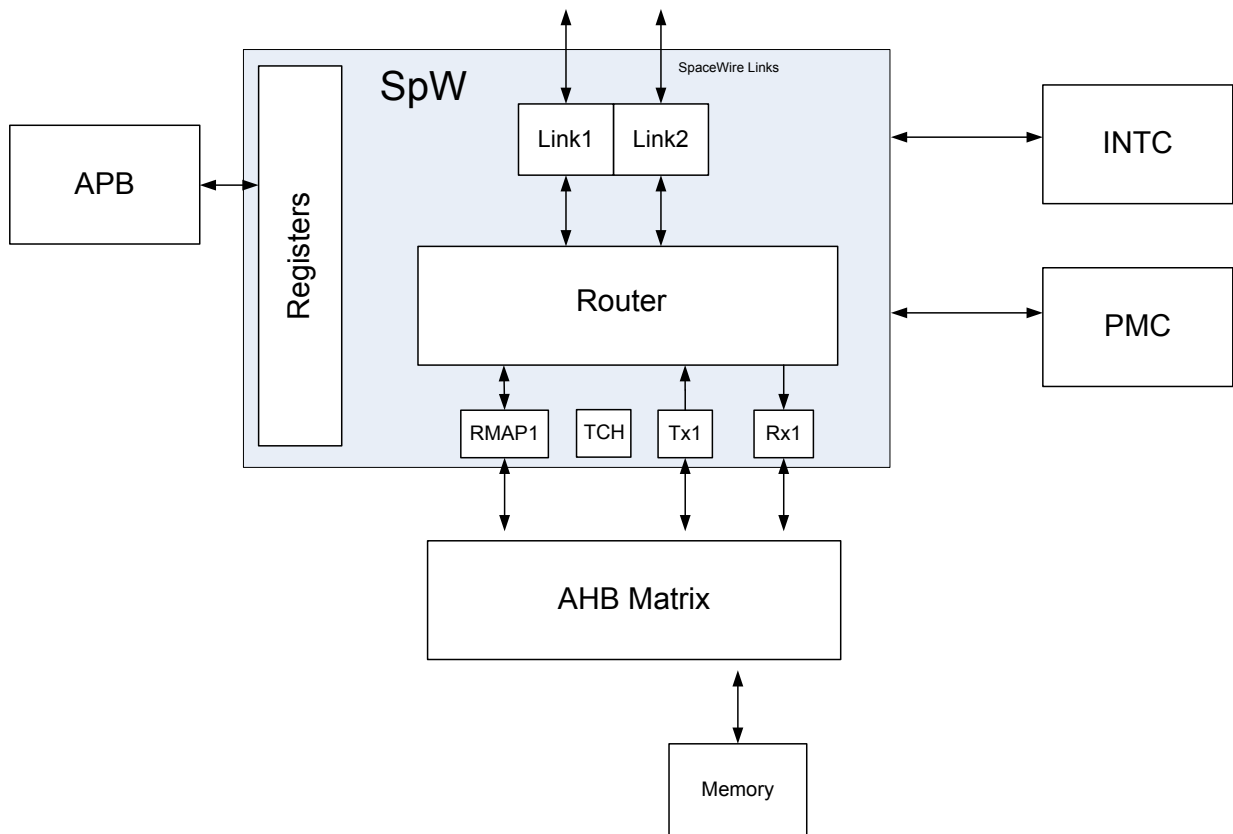
### 36.3 Reference Documents

The SpaceWire (SpW) standard is described in the following documents:

- ECSS-E-ST-50-12C describes the links, nodes, routers and networks
- ECSS-E-ST-50-51C describes the SpW protocol identification
- ECSS-E-ST-50-52C describes the RMAP protocol
- ECSS-E-ST-50-53C describes the CCSDS protocol

## 36.4 Block Diagram

Figure 36-1. Block Diagram



## 36.5 Product Dependencies

### 36.5.1 I/O Lines

The SpaceWire pins can be multiplexed with other peripheral pins, for that, the user must first program the PIO controller to assign the pins to the given peripheral. Two modes are available for the SpaceWire I/O lines LVDS or digital I/O.

- If all the SpaceWire lines are selected on the Peripheral A (default) the mode is automatically set to LVDS.
- If one or more SpaceWire lines are selected on another peripheral (B, C or D), then the SpaceWire mode automatically switches to digital I/O.

**Note:** Pull-ups and pull-downs are automatically disabled on the SpaceWire lines in LVDS mode.

The following are the signal description for SpaceWire peripherals:

**Table 36-1.** Signal Description

SpaceWire Link Name	Signals Name	Signals Definition
SpaceWire Link 0	SPWDINP0	SpaceWire Data Input 0 ( LVDS Positive or TTL)
	SPWDINN0	SpaceWire Data Input 0 ( LVDS Negative)
	SPWSINP0	SpaceWire Strobe Input 0 ( LVDS Positive or TTL)
	SPWSINN0	SpaceWire Strobe Input 0 ( LVDS Negative)
	SPWDOUTP0	SpaceWire Data Output 0 ( LVDS Positive or TTL )
	SPWDOUTN0	SpaceWire Data Output 0 ( LVDS Negative)
	SPWSOUTP0	SpaceWire Strobe Output 0 ( LVDS Positive or TTL)
	SPWSOUTN0	SpaceWire Strobe Output 0 ( LVDS Negative)
	SPWREF0	SpaceWire Reference 0
SpaceWire Link 1	SPWDINP1	SpaceWire Data Input 1 ( LVDS Positive or TTL)
	SPWDINN1	SpaceWire Data Input 1 ( LVDS Negative)
	SPWSINP1	SpaceWire Strobe Input 1 ( LVDS Positive or TTL)
	SPWSINN1	SpaceWire Strobe Input 1 ( LVDS Negative)
	SPWDOUTP1	SpaceWire Data Output 1 ( LVDS Positive or TTL)
	SPWDOUTN1	SpaceWire Data Output 1 ( LVDS Negative)
	SPWSOUTP1	SpaceWire Strobe Output 1 ( LVDS Positive or TTL)
	SPWSOUTN1	SpaceWire Strobe Output 1 ( LVDS Negative)
	SPWREF1	SpaceWire Reference 1

### 36.5.2 Power Management

The SpW is clocked through the Power Management Controller (PMC), thus the programmer must first configure the PMC to enable the SpW clock and the timetick clock if required.

On transmission, the SpaceWire bitrate is defined from the GCLK clock frequency (see the [Speed Link](#) section for more details). The GLCK frequency must be less than or equal to twice the MCK clock frequency; that is,  $GCLK \leq 2 * MCK$

On reception, the SpaceWire bitrate is linked to the MCK clock frequency. The bit rate must be less than or equal to four times MCK; that is,  $RX\_SpaceWire\_bitrate \leq 4 * MCK$ .

### 36.5.3 Interrupt Sources

The SpW interrupt lines are connected to the interrupt controller. Using the SpW interrupts requires the interrupt controller to be programmed first. The SpW interrupts are generated only if the corresponding bit has been enabled in the SPW\_PKTRX1, SPW\_PKTTX1, SPW\_TCH or SPW\_LINKx interrupt mask registers. For more information, refer to the [36.7.7. Interrupts](#) section.

### 36.5.4 Synchronization Inputs from RTC

The SpaceWire and the RTC are internally connected to:

- Control SpaceWire transmission/reception on specific event
- Have a Pulse Per Second (PPS) clock for the Time Code Handler block

The events (Event[5:0]) are connected to all PktTx, PktRx and TCH blocks. They can be used to trigger the following actions:

- Start of send lists in PktTx
- Activate receive buffer in PktRx
- Time-code transmission in Time Code Handler

The Event [0] is connected to RTCOUT0.

The Event [1] is connected to RTCOUT1.

**Note:** Event [2], Event [3], Event [4], Event [5] are not used.

The PPS signal is used by Time Code Handler and is internally connected to RTCOUT1. PPS is an input pulse that is expected to be a system Pulse Per Second (PPS). RTCOUT1 must be configured in Pulse mode when PPS is used.

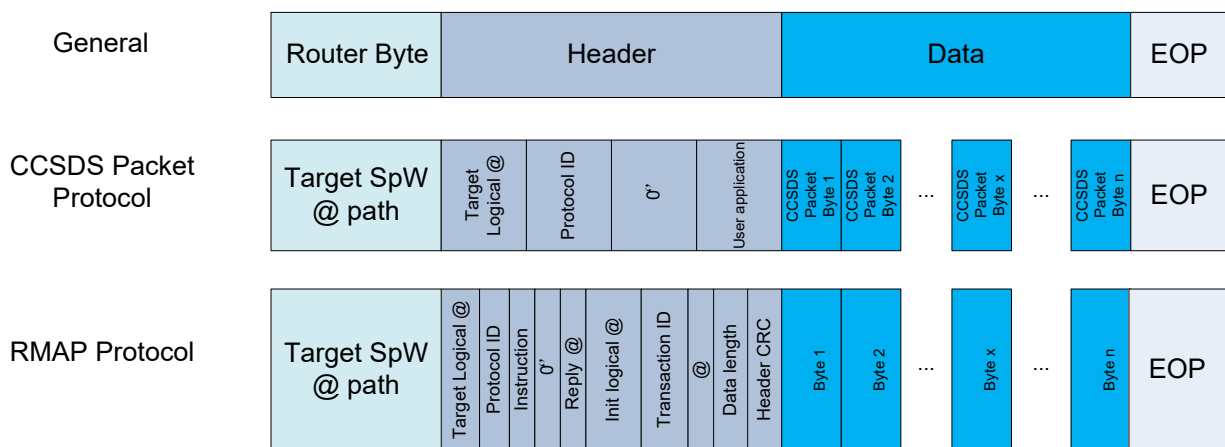
## 36.6 SpaceWire Protocol

The reference documents listed above detail the different protocols supported over SpaceWire links.

The figure below presents the SpaceWire protocol, split into four categories:

- Router byte
- Header
- Data
- End Of Packet (EOP)

**Figure 36-2.** SpaceWire Packet: Protocol Format Supported



Each part has the following function:

- Router bytes describe the path of a space wire packet
- Headers describes the protocol to used, the logical address targeted, etc.
- Data contains effective data to transmit/receive over SpaceWire
- EOP indicates the End Of Packet

## 36.7 Functional Description

The SpW module comprises:

- Two SpaceWire links
- A packet transmit (TX1)
- A packet receive (RX1)
- A router block to redirect SpaceWire packets from a source (SpaceWire link, RMAP, transmitter) to a destination (SpaceWire link, RMAP, receiver)
- An RMAP block to support the SpaceWire RMAP protocol
- A TCH block to support SpaceWire time-coded frames

## 36.7.1 SpaceWire Link

### 36.7.1.1 Speed Link

To be compliant with the SpaceWire standard, the initial bit rate of a SpaceWire link is 10 Mbits/s. Hence, the SpaceWire peripheral clock (SpWCLK), coming from the PMC, must be internally adapted to respect this constraint, by adjusting the ratio in SPW\_LINKx\_CLKDIV.TXINITDIV.

As soon as the SpaceWire connection link is established, the SpaceWire speed link can be increased up to 200 Mbits/s. To do so, the SpaceWire peripheral clock (SpWCLK) must be adjusted by adapting the ratio in SPW\_LINKx\_CLKDIV.TXOPERDIV.

The SpaceWire bit rates (initial and operational) are calculated from the following formulas:

$$\text{SpWInitbitrate} = (\text{SpWCLK}) / (0.5 (\text{TXINITDIV} + 1))$$

$$\text{SpWOperbitrate} = (\text{SpWCLK}) / (0.5 (\text{TXOPERDIV} + 1))$$

### 36.7.1.2 SpaceWire Link Configuration

After reset, the SpaceWire link is configured in Autostart mode. The SpaceWire link is configured using the register SPW\_LINKx\_CFG.

- If link disable is set, the link goes from run state to errorstate state.
- If autostart is set, the link remains in ready state until NULL are received.
- If link start is set, the link proceeds to started state.

Refer to the figure *State diagram for SpaceWire link interface*, available in ECSS-E-ST-50-12C (31 July 2008), for more details.

### 36.7.1.3 Link Status

The status of the SpaceWire CODEC link state is visible via SPWLINK\_STATUS register.

### 36.7.1.4 Link Error Interrupts

The SpaceWire link block has three sets of interrupt registers:

- SpaceWire Link Pending Interrupt registers (SPW\_LINKx\_PI\_RM, SPW\_LINKx\_PI\_R, SPW\_LINKx\_PI\_C, SPW\_LINKx\_PI\_RCS and ) contain interrupts for the SpaceWire CODEC errors, configurable escape character, EEP transmitted/received and if a packet was aborted before fully transmitted.
- SpaceWire Distributed Interrupt Pending Interrupt registers (SPW\_LINKx\_DISTINTPI\_RM, SPW\_LINKx\_DISTINTPI\_RCM, SPW\_LINKx\_DISTINTPI\_R, SPW\_LINKx\_DISTINTPI\_C, SPW\_LINKx\_DISTINTPI\_RCS) contain interrupts for SpaceWire distributed interrupts. An incoming escape character with the three MSB set to "100" is interpreted as a distributed interrupt. The remaining five bits represent the interrupt number.
- SpaceWire Distributed Interrupt Acknowledge Pending Interrupt registers (SPW\_LINKx\_DISTACKPI\_RM, SPW\_LINKx\_DISTACKPI\_RCM, SPW\_LINKx\_DISTACKPI\_R, SPW\_LINKx\_DISTACKPI\_C, SPW\_LINKx\_DISTACKPI\_RCS) contain interrupts for SpaceWire distributed interrupt acknowledge. An incoming escape character with the three MSB set to "101" is interpreted as a distributed interrupt acknowledge. The remaining five bits represent the interrupt acknowledge number.

For details on set-up and use, refer to the [36.8. Register Summary](#).

## 36.7.2 Embedded SpaceWire Router

The embedded SpaceWire router has the following functionalities:

- directs the SpaceWire packet from source to destination
- maps the logical address to physical one, in the case of SpaceWire packets using logical address

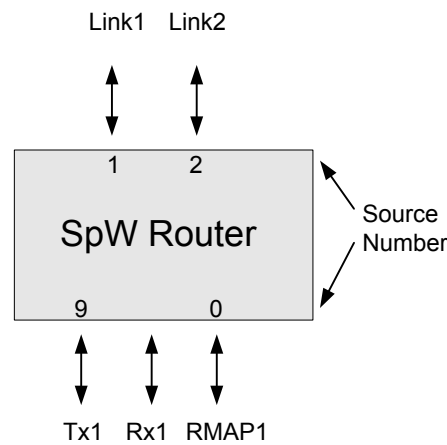
### 36.7.2.1 Sources

The different sources available, and their associated numbers, are listed below.

**Table 36-2.** Source Available and Associated Number

Address	Type of Address
0	RMAP 1
1	SpW Link 1
2	SpW Link 2
3-8	Reserved
9	Pkt Transmitter 1
10-17	Reserved

**Figure 36-3.** Source and Physical Address



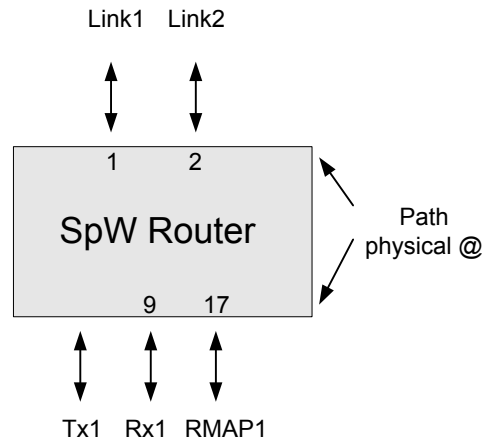
### 36.7.2.2 Destinations

The different destinations available, and their associated physical addresses, are listed below.

**Table 36-3.** Destination Number and Associated Physical Addresses

Path/Physical Address	Destination
0	Unused
1	SpW Link 1
2	SpW Link 2
3-8	Reserved
9	Pkt Receiver 1
10-16	Reserved
17	RMAP 1
18-31	Unused

**Figure 36-4.** Destination and Physical Address



### 36.7.2.3 Logical to Physical Addressing Mapping

Logical and physical address ranges are defined as follows:

**Table 36-4.** Address Repartition

Address	Type of Address
0	Disable logical address
1-30	Physical address or path (only 1-2, 9,17 used in this case)
31	Loopback for SpW link 1-2
32-255	Logical address

SpaceWire packets can contain logical addresses instead of physical paths. To correctly direct such a SpaceWire packet, a logical to physical mapping must be defined first.

This is done by configuring `SPW_ROUTER_TABLE[logicaladdnb]`.

- `SPW_ROUTER_TABLE[logicaladdnb].ADDR` maps the logical address “logicaladdnb” to the physical one.
- `SPW_ROUTER_TABLE[logicaladdnb].DELHEAD` defines if router bytes are kept or deleted when the SpaceWire packet is passed on.

Then, the logical address must be authorized. For that, `SPW_ROUTER_CFG.LAENA` must be set.

**Notes:**

1. logicaladdnb is in the range from 32 to 255.
2. It is recommended to write the table with all zeroes before configuring the router in order to obtain a correct initialization.

### 36.7.2.4 Fallback Routing

If `SPW_ROUTER_CFG.FALLBACK` is set, an alternative destination can be picked if the addressed destination is unavailable. If the physical port N is unavailable (SpW link not running), the fallback is selected as follows:

- for an odd port, select N+1
- for an even port, select N-1

If the fallback port is unavailable, it is treated and reported as an illegal address.

Fallback is only applicable when using logical addressing. Path addressing is unaffected by fallback.



### 36.7.2.5 Timeout

If a timeout event is detected, the SpaceWire router destination is automatically flushed. The physical address is visible in the SPW\_ROUTER\_TIMEOUT register. The register is locked until it has been read by the user.

The timeout is enabled by default. To disable it, SPW\_ROUTER\_CFG.DISTIMEOUT must be set.

### 36.7.2.6 Error Router Information

If a routed packet has an illegal destination, the packet is discarded.

Error routing information is visible in the dedicated register SPW\_ROUTER\_STS.

When errors occur, it is possible to visualize in the SPW\_ROUTER\_STS register:

- the number of packets dropped in SPW\_ROUTER\_STS.COUNT
- the source of the first dropped packet in SPW\_ROUTER\_STS.SOURCE
- the router byte of the first packet dropped in SPW\_ROUTER\_STS.BYTE
- the destination of the first packet dropped in SPW\_ROUTER\_STS.DEST

## 36.7.3 Packet Transmit

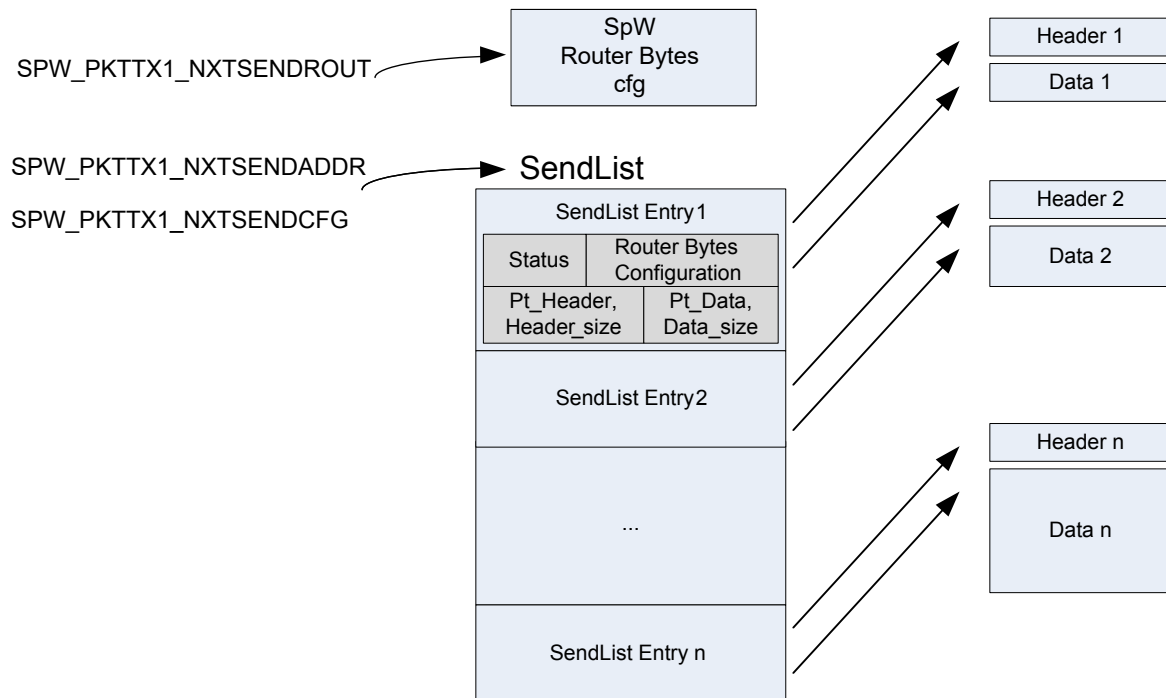
### 36.7.3.1 Overview

SpaceWire packets are transmitted by the packet transmitter and the router blocks to the SpaceWire network.

### 36.7.3.2 Transmit (TX) Packet

SpaceWire packets are sent over send list, which are made of send list entries.

Figure 36-5. Send List Overview



Each send list entry has a status field, a routing field, a header, and a data field:

- Status field indicates:
  - If the entry has to be taken into account or not (Skip bitfield)
  - The type of packet to be transferred (Entry bitfield)
  - On which event, the send list starts to transfer packets (start bitfield)
  - the CRC attached to the data (DCRC bitfield)
  - The timeout value for this entry. (timeout bitfield)
- Routing field indicates the path to use for all the packets contained in the send list. (RB1-RB8 bitfields)
- Header and data fields indicate the following:
  - The start address where the header information is stored and its corresponding size (HSize and HAddr bitfields)
  - The start address where the data are stored and their corresponding size (DSize and DAddr)

A send list entry has the following overview and definition:

Table 36-5. Send List Entry Definition

32-bit Word	Bit Number															
	31	30	29	27	24	23		18	16	15				8	7	0
0	Skip	Entry	-	RSize		-								Start		

1	RB1	RB2	RB3	RB4		
2	RB5	RB6	RB7	RB8		
3	-	EscMask	EscChar	-	HCrc	HSize
4	HAddr					
5	-	DCRC	DSize			
6	DAddr					
7	Timeout					

**Table 36-6.** Send List Entry: Field Description

Field	Definition	Size	Value	Description
Skip	Skip	1	0	Use this entry.
			1	Skip this entry. All other fields are ignored.
Entry	Entry Type	2	0	Packet Data
			1	Escape Character
			others	Invalid
RSize	Router Byte Size	4	0-8	Number of Router Bytes to prepend to packet.
			others	Invalid
Start	Start Time	19	Any	Delay from send list start. Time Unit is environment dependent.
RB1	Router Byte 1	8	Any	Byte 1 to prepend, if used.
RB2	Router Byte 2	8	Any	Byte 2 to prepend, if used.
RB3	Router Byte 3	8	Any	Byte 3 to prepend, if used.
RB4	Router Byte 4	8	Any	Byte 4 to prepend, if used.
RB5	Router Byte 5	8	Any	Byte 5 to prepend, if used.
RB6	Router Byte 6	8	Any	Byte 6 to prepend, if used.
RB7	Router Byte 7	8	Any	Byte 7 to prepend, if used.
RB8	Router Byte 8	8	Any	Byte 8 to prepend, if used.
EscMask	Escape Char Mask	4	Any	Defines where to send Escape Character.
EscChar	Escape Char	8	Any	Escape Character to send if Entry Type is Escape Char.
HCrc	Header Crc	1	0	Send as is.
			1	Calculate CRC and attach at end.
HSize	Header Size	8	Any	Header Size, in bytes
HAddr	Header Addr	32	Any	Header Start Address
DCrc	Data Crc	1	0	Send as is
			1	Calculate CRC and attach at end
DSize	Data Size	24	Any	Data Size, in bytes
DAddr	Data Addr	32	Any	Data Start Address
Timeout	Timeout	19	0	No Timeout
			others	Abort send list if time from send list start exceeds this value.

Each transmit Packet is able to transmit escape characters on up to two links. The table below shows how the EscMask bits in a Send List Entry map to links for each transmit packet.

**Table 36-7.** EscMask Bit-link Definition

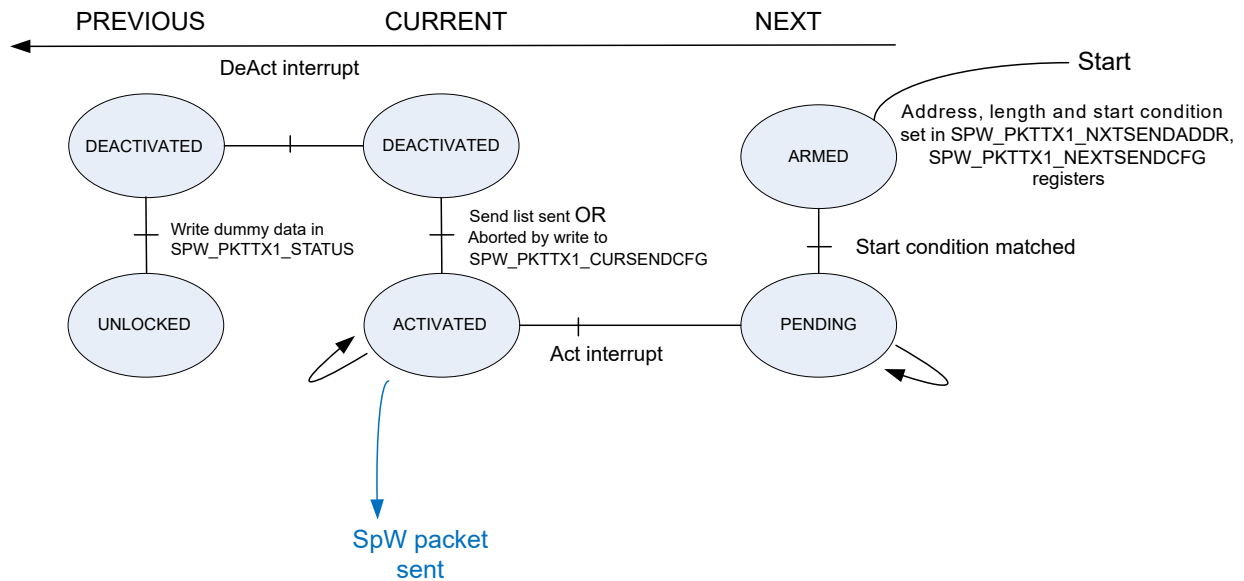
PktTx	EscMask(3)	EscMask(2)	EscMask(1)	EscMask(0)
Tx1	Link 1	Link 2	Not used	Not used

### 36.7.3.3 Send List State

Send lists go through the three states—NEXT, CURRENT and PREVIOUS—during its life cycle:

The following flowchart illustrates the life cycle of a send list.

Figure 36-6. Send List Life Cycle



### 36.7.3.3.1 NEXT Send List State

The NEXT send list state is divided in two:

- **ARMED:** Definition of the packet to transfer is performed in this state. For configuration details, refer to [36.7.3.3.4. Send List Initialization](#). Once the start condition has been detected, the send list proceeds to PENDING.
- **PENDING:** Waiting phase  
This transition and waiting phase is terminated when the configured start condition is fulfilled. In this case, the CURRENT send list state is reached.  
The possible START conditions are the follows:
  - Event (code 0): start if any bit in value matches with incoming event. For event definition, refer to [36.5.4. Synchronization Inputs from RTC](#)
  - Immediately (code 1): start immediately.
  - Time Code 1 (code 2): start if current time code in Time Code Handler 1 is equal to value.
  - Time Code 2 (code 3): not used.

### 36.7.3.3.2 CURRENT Send List State

The CURRENT send list state is divided in two:

- **ACTIVATED :** The CURRENT send list is effectively sent over the SpaceWire network. When the CURRENT list is completely sent or interrupted, DEACTIVATED is reached.
- **DEACTIVATED:** The data transfer to the router block is finished or interrupted. When a de-Act interrupt is detected, the CURRENT send list state is changed to PREVIOUS send list state.

### 36.7.3.3.3 PREVIOUS Send List State

The PREVIOUS send list state is divided in two:

- **DEACTIVATED:** Until SPW\_PKTXX1\_STATUS is written, the status is locked and any following send lists cannot be deactivated. SPW\_PKTXX1\_STATUS must be written with any dummy data to unlock the send list.
- **UNLOCKED:** the status is unlocked, the NEXT send list could reach the CURRENT. DEACTIVATED state.

### 36.7.3.3.4 Send List Initialization

Send list initialization is performed during the NEXT send list state.

To initialize a send list:

1. The start address of the send list must be indicated in the SPW\_PKTTX1\_NXTSENDADDR register.
2. The number of send list entries contained in the sendlist must be indicated in the SPW\_PKTTX1\_NXTSENDCFG register.
3. The destination path must be indicated either in the SPW\_PKTTX1\_NXTSENDROUT register or in the send list entry (R1 -R8). If the router byte is indicated: In the SPW\_PKTTX1\_NXTSENDROUT register, the router bytes are the same for all send list entries. Directly in the send list entry (R1 -R8), the router bytes are specific to the send list entry.
4. The number of send list entries contained in the send list must be indicated in the SPW\_PKTTX1\_NXTSENDCFG register.
5. The starting condition to transmit the send list must be written in the SPW\_PKTTX1\_NXTSENDCFG register.

Each send list entry must be filled as follows:

- **Status and configuration**

- Skip bit: If one, the send list entry is ignored.
- Entry: Indicates if dat or specific character are sent.
- Start: Delay before sending the send list; this is defined by the START bitfield of the [SPW\\_PKTTX1\\_NXTSENDCFG](#) register.
- EscChar and EscMask : Specific if escape characters are sent. EscChar defines which escape character to send, and the EscMask: defines which interface should receive it.
- Timeout: Timeout to abort the send list transfer after a certain period.

- **Router bytes configuration**

- Rsize and RB1-8: Number of router bytes used in the send list and the router bytes (i.e., path of the SpaceWire packet to send).

**Note:** Up to four router bytes can be specified in the SPW\_PKTTX1\_NXTSENDROUT register. These bytes are the start of each packet in the send list.

**Note:** Up to eight router bytes can be specified directly in the Send List Entry. These bytes are the next part of the packet.

- **Header**

- HCRC: Add or not a CRC at the end of the header part for reliability
- Hsize: Size in bytes of the header part
- Haddr: Starting address of the header part, stored in memory

- **Data**

- DCRC: Add or not a CRC at the end of the data part for reliability
- Dsize: Size in bytes of the data part
- Ddaddr: Starting address of the data part, stored in memory

The header and data parts are set up with an address and a length defining a buffer in memory. These parts also may add the CRC byte after each block. Note that an added CRC is not included in Hsize or Dsize. The CRC is to support RMAP.

### 36.7.3.4 CURRENT Send List Parameters

The router bytes of the current send list are visible in the SPW\_PKTTX1\_CURSENDROUT register.

The starting address of the current send list is visible in the SPW\_PKTTX1\_CURSENDADDR register

The number of the current send list entry is visible in the SPW\_PKTTX1\_CURSENDCFG register.  
It is possible to abort any on-going transfer by setting the bit SPW\_PKTTX1\_CURSENDCFG.ABORT.

#### 36.7.3.4.1 CURRENT Send List Status

The status of the CURRENT send list is visible in the SPW\_PKTTX1\_STATUS register.  
The origin of the PREVIOUS send list deactivated is also visible in this register.

#### 36.7.3.4.2 Abort a Send List

There are two ways to abort a send list transfer:

- To stop the transfer immediately: Set the bit SPW\_PKTTX1\_CURSENDCFG.ABORT.
- To stop the transfer at the next packet boundary: Write all zeroes in the field SPW\_PKTTX1\_CURSENDCFG.LEN.

#### 36.7.3.5 Transmitter Interruptions

If previously enabled (SPW\_PKTTX1\_IM register), interruptions can be launched when a send list is activated or deactivated, and when EEP or EOP are sent. All the interruptions are pending on the SPW\_PKTTX1\_PI register.

#### 36.7.3.6 Reset Transmitter

The packet transmitter is reset by software by writing the correct pattern in SPW\_PKTTX1\_SWRESET.

### 36.7.4 Packet Received

#### 36.7.4.1 Overview

Each receiver can receive SpaceWire packets if the routing mechanism is set up to reach them, that is, if the logical address or logical path is correctly set.

Packets received are stored in the Receive buffers, and can be divided over buffers if necessary.

#### 36.7.4.2 Received Packet

The received packets are divided into two fields:

- The first field is for packet data, where incoming data is stored.
- The second field is for packet information such as length, receive time and status.

For details, refer to the following tables.

**Table 36-8.** Packet Receive Structure Definition

32-bit Word	Bit number																		
	31															3	2	1	0
0	-															Split	Cont	Eep	Eop
1	DAddr																		
2	-																		
3	Etime																		

**Table 36-9.** Packet Receive Field Definition

Field	Definition	Size	Value	Description
Crc	Crc	8	Any	8 bit CRC calculated over all packet bytes
Split	Split	1	Any	Packet is split, and continues in next entry/buffer
Cont	Continued	1	Any	Packet is continued from previous
EEP	Eep	1	Any	Error End of Packet
EOP	Eop	1	Any	End of Packet
DAddr	Data Addr	32	Any	Start Address of received packet. Will always be word aligned.
DSize	Data Size	24	Any	Length of received packet, in bytes

.....continued

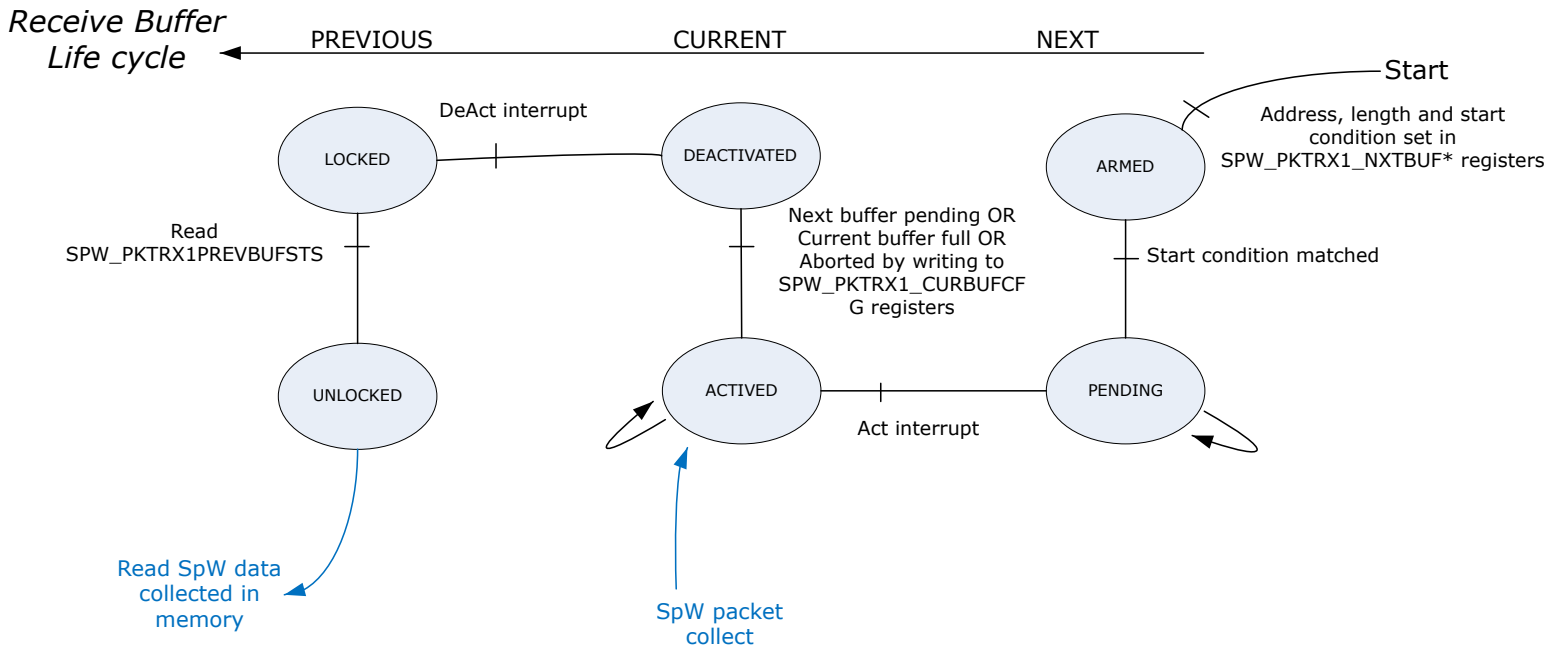
Field	Definition	Size	Value	Description
Etime	End Time	19	Any	Time at end of packet, from receive buffer start. Time Unit is environment dependent.

### 36.7.4.3 Receive Buffers State

The packet receiver handles three independent storage areas for received packets, called receive buffers. The three states are called NEXT, CURRENT and PREVIOUS.

The following flowchart presents the receive buffer states during its life cycle.

Figure 36-7. Receive Buffers Life Cycle



#### 36.7.4.3.1 NEXT Buffer State

The NEXT buffer state is divided in two:

- **ARMED:** The registers are initialized with buffer information (starting address, length and starting condition). For more details, refer to the section 36.7.4.4. [Receive Buffers Setup](#). Once the start condition has been detected, the receive buffer goes to PENDING.
- **PENDING:** Waiting phase. This transition and waiting phase is terminated when the start condition is fulfilled. In this case, the CURRENT state is reached.

#### 36.7.4.3.2 CURRENT Buffer State

The CURRENT buffer state is divided in two:

- **ACTIVATED:** The Receive buffer collects space packets received from the SpaceWire network. It will stay in this mode unless:
  - The CURRENT receive buffer (information) is full and the previous one is not locked
  - the CURRENT receive buffer (data) is full and the previous one is not locked. In this case, the on-going packet is split.
  - a split request is received and the PREVIOUS one is not locked

- the starting condition of the next buffer is matched and the PREVIOUS receive buffer is not locked
- the user requests an abort of the current reception (SPW\_PKTRX1\_CURBUF\_CFG registers)

**Notes:**

- When a packet is split, the first one is marked as 'split' and the second one is marked as 'continue'.
- All the information is passing through the NEXT register to the CURRENT one.
- DEACTIVATED: This transition and waiting phase is terminated when PREVIOUS receive buffer is free.

Depending on the SPW\_PKTRX1\_CFG register, the incoming data could be stalled or discarded.

### 36.7.4.3.3 PREVIOUS Buffer State

The PREVIOUS buffer state is divided in two:

- LOCKED: The data collected can be read. For that, the SPW\_PKTRX1\_PREVBUFSTS.CNT indicates how many received packet info entries have been written in memory. It will remain here until SPW\_PKTRX1\_PREVBUFSTS is read.
- UNLOCKED: When the PREVIOUS receive buffer is UNLOCKED, the next CURRENT receive buffer could reaches the PREVIOUS state.

**Note:** All the information contains in CURRENT buffer registers is transferred to the PREVIOUS buffer registers.

### 36.7.4.3.4 Status Buffer

The status and the number of packets received of a CURRENT receive buffer are read in the SPW\_PKTRX1\_STATUS register.

The status and the number of packets received of a PREVIOUS receive buffer are read in the SPW\_PKTRX1\_PREVBUFSTS register.

### 36.7.4.4 Receive Buffers Setup

To correctly initialize the receive buffer, while it is in NEXT buffer state, the following steps must be performed:

- The starting address of the buffer which contains the received data is written in the SPW\_PKTRX1\_NXTBUFDATAADDR register. Starting address must be word-aligned.
- The length of the buffer which contains the received data is written in the SPW\_PKTRX1\_NXTBUFDATALEN register. When setting the data buffer length, each expected packet size should be rounded up to word size.
- The starting address of the buffer which contains the received packet information is written in the SPW\_PKTRX1\_NXTBUFPKTADDR register. Starting address must be word-aligned.
- The number of received packet information is written in the SPW\_PKTRX1\_NXTBUF\_CFG register.
- The starting condition of the buffer is written in the SPW\_PKTRX1\_NXTBUF\_CFG register.
- The split condition activation of the buffer is written in the SPW\_PKTRX1\_NXTBUF\_CFG register.

**Note:** All receive buffers must be word-aligned.

The table below indicates the possible conditions to start the receive buffer, that is, become NEXT to CURRENT receive buffer state.

**Table 36-10.** Possible Starting Modes

Start	Mode	Description
0	Event	Start if any bit in Value matches an incoming event. For event definition, refer to <a href="#">36.5.4. Synchronization Inputs from RTC</a> .



.....continued

Start	Mode	Description
1	Immediately	Start immediately
2	Time Code 1	Start if current time code in Time Code Handler 1 is equal to Value
3	Time Code 2	Not used
4	Later	Start if Current Buffer is deactivated, e.g. by becoming full

**Note:** When the NEXT receive buffer is activated (becomes the CURRENT receive buffer), all starting conditions in the NEXT receive buffer are cleared).

### 36.7.4.5 Packet CRC

For each packet received, a CRC is calculated over the incoming bytes and stored in the Receive Packet Info structure for the packet. The CRC uses the same algorithm as RMAP. When calculating CRC over a complete RMAP packet (header, header CRC, data and data CRC), the result must be '0' if no errors have been detected.

If a packet is split, the first entry will show the CRC up to that point. The CRC in the continued entry will be over the entire packet.

### 36.7.4.6 Receiver Interruptions

Interruptions can be pending on SPW\_PKTRX1\_PI registers if they are previously enabled (SPW\_PKTRX1\_IM registers):

- to have an overview of the receive buffer state (ACTIVATED or DEACTIVATED)
- to detect the EEP or EOP character
- to detect if an incoming packet is discarded

### 36.7.4.7 Reset Receiver

The packet receiver can be reset by software by writing the correct pattern in SPW\_PKTRX1\_SWRESET.

## 36.7.5 RMAP

### 36.7.5.1 Overview

The RMAP Handler services incoming RMAP commands in hardware.

SpaceWire packets addressed to RMAP are interpreted according to the packet's Protocol ID.

RMAP packets are handled according to the RMAP standard. The table below lists the supported RMAP features.

**Table 36-11.** Supported RMAP Features

Feature	Command
Command Codes supported	3, 9, 11
Target Logical Address	Must be 0xFE or RMAP's configured LA
Key field value	Defined by SPW_RMAPx_CONFIG.DESTKEY
Single Address commands	Not supported, only sequential is supported. (Increment bit must be 1)
Read and Write commands	Supported
Read-Modify-Write command	Not supported
Write with reply	Supported
Verified write	Not supported (Verify data bit must be 0)
Reply address	Supported up to 12 bytes.

If a RMAP Handler is accessed from a SpW Link in the same group, it will automatically add a path router byte to route the reply back to the same link.

### 36.7.5.2 RMAP Setup

To correctly activate the RMAP protocol and accept the RMAP frames, the user must:

- enable the RMAP access by setting SPW\_RMAP\_CFG.RMAPENA.
- configure the target logical address in SPW\_RMAP\_CFG.TLA to accept the RMAP frame with this logical address.
- configure the destination key in SPW\_RMAP\_CFG.DESTKEY to accept the RMAP command which contains this value.

### 36.7.5.3 RMAP Status

The error information from RMAP is visible in the SPW\_RMAP\_STS register.

If valid but set, the corresponding error (incoherent CRC, non-matching TLA, Destination key error, etc.) can be retrieved.

## 36.7.6 Time Code

### 36.7.6.1 Overview

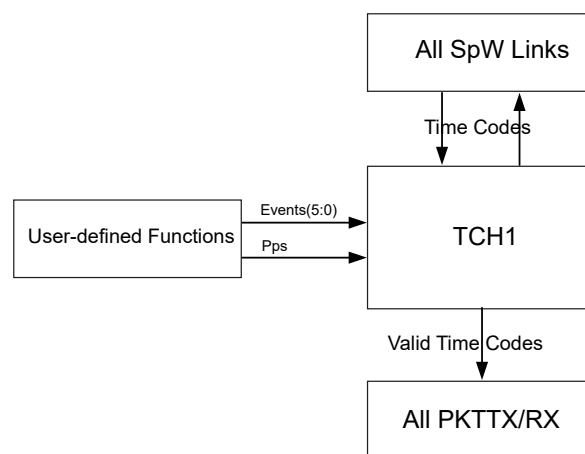
The time code handler (TCH1) receives and transmits time codes over multiple SpaceWire interfaces. It operates either in Master mode where it is the source of time codes, or in Slave mode where it is driven by incoming time codes. In Slave mode it can also act as a repeater and redistribute the time codes over other interfaces.

Time codes range from 0–63, are auto-incrementing and wrap around. A valid time code is defined as being equal to SPW\_TCH\_LASTTIMECODE.VALUE + 1 modulo 64. Since any incoming time code updates the register, only the first of multiple equal incoming time codes will be valid.

Note that the hardware does not differentiate between Master and Slave modes. In some special cases, they can be mixed by configuring sources in both SPW\_TCH\_CFGLISTEN and SPW\_TCH\_CFG.EVENT.

The TCH1 is connected to all SpW Link Handlers, and thus can drive or listen to any subset of links.

**Figure 36-8.** Time Code Handler Block



The TCH1 sends Time Synchronization events with the current time code to all Packet Transmitters and Packet Receivers to be used for transmission start.

The time code sources used are RTCOUT0/1 signals. They are internally connected to the SpaceWire block.

The table below shows the mapping between SpW links and the bits in SPW\_TCH\_CFGLISTEN and SPW\_TCH\_CFGSEND registers.

**Table 36-12.** Mapping between SpaceWire Link and TCH1 Configuration

Register Bit	1	0
Link	2	1

### 36.7.6.2 Operation/Usage

#### 36.7.6.2.1 Master Mode

To run in Master mode, the following set-up must be done:

- Clear SPW\_TCH\_CFGLISTEN.
- Configure SPW\_TCH\_CFGSEND so that all interfaces where time codes should be transmitted are selected.
- Configure SPW\_TCH\_CFG.EVENT to select the event source (RTCOUT0/1 signals) that drives the time codes.

It is possible to run Master mode manually from software without an event source by setting SPW\_TCH\_LASTTIMECODE.SEND each time a time code should be sent.

#### Selecting Time Code

Each configured event SPW\_TCH\_LASTTIMECODE.VALUE will be increased by 1 (modulo 64) and then transmitted.

To select Time Code N to be transmitted, write N-1 to SPW\_TCH\_LASTTIMECODE.VALUE before the configured event.

#### Synchronized Time Code Loop

To keep the full time code loop synchronized to an event (RTCOUT0/1), the SPW\_TCH\_CFGRESTART register can be set up to regularly set the time code value.

The events that can be used to trigger this are the same events as in the SPW\_TCH\_CFG.EVENT field. The SPW\_TCH\_CFGRESTART register also has an additional RTCOUT0/1 event which a system can connect to some source not shared by the Event sources.

When the configure event triggers, there is a delay of 2–3 SpWclk pulses, after which SPW\_TCH\_CFGRESTART.VALUE is copied to SPW\_TCH\_LASTTIMECODE.VALUE. This delay is to ensure that the Master mode trigger occurs before the Restart trigger if both have the same source or sources close in time.

If SPW\_TCH\_CFGRESTART.ONESHOT is set, this will only occur once. This can be used to prepare a change to SPW\_TCH\_LASTTIMECODE.VALUE with fewer timing constraints.

#### 36.7.6.2.2 Slave Mode

To run in Slave mode, set up the following:

- The SPW\_TCH\_CFGLISTEN register must enable all SpW links where time codes may come from.
- The SPW\_TCH\_CFG register must be cleared.

If this is a pure slave node in a system, the SPW\_TCH\_CFGSEND register should be cleared. If this is used as a router/repeater, the SPW\_TCH\_CFGSEND register should select all interfaces where time codes should be retransmitted.

#### 36.7.6.2.3 Watchdog

A watchdog notification can be set up to detect whether a time code arrives in the expected time window. This is typically only used in Slave mode.

To be notified about a time code coming too early, set up the SPW\_TCH\_CFGWD.EARLY register. If a time code arrives before that, the EARLYWD interrupt is set.

To be notified about a time code coming too late, set up the SPW\_TCH\_CFGWD.LATE register. If no time code has arrived by then, the LATEWD interrupt is set.

The watchdogs are reset when a valid time code is received, and only valid time codes are considered by the watchdog.

### 36.7.6.2.4 Notifications

To react on any valid time code, the TIMECODE interrupt can be used. This is used for both Master and Slave modes.

Use the SPW\_TCH\_CFGTCEVENT register to setup a trigger on specific timecode(s). For any bit set in SPW\_TCH\_CFGTCEVENT.MASK the corresponding bit in the time code and SPW\_TCH\_CFGTCEVENT.VALUE must be equal. When this triggers it gives the TCEVENT interrupt.

### 36.7.7 Interrupts

Interrupts are available to indicate the following events:

On the packet receiver side:

- the activation/deactivation of receive buffer
- an incoming character (EOP/EEP) detected
- an incoming packet discarded.

On the packet transmitter side:

- the activation/deactivation of a send list
- an incoming character (EOP/EEP) sent

On the TCH block:

- an early/late watchdog event triggered,
- a time code arrived,
- time synchronization event detected,
- a tc event detected

On each SpW link:

- incoming escape character which matches with ESCEVENT1 or 2
- a transmit packet discarded
- EEP received
- EEP transmitted
- the link state status
- link interface errors (credit error, ESC error, parity error, disconnection error)

#### 36.7.7.1 Interrupt Register Access Definition

Each Pending Interrupt register has multiple access types to affect it in different ways. Each access type is set at a specific address.

Each Mask Interrupt register has multiple access types to affect it on different ways. Each access type is set at a specific address.

The following table describes the access types possible and the effect of reading and writing on them.

**Table 36-13.** Access Types

Register Name	Access Type	Read	Write
Pending Interrupt	RM	Read Pending Interrupt register Read Mask Interrupt register	-
	RCM	Read Pending Interrupt register and clear Pending Interrupt register	-
	R	Read Pending Interrupt register	-
	RCS	Read and clear Interrupt register	Set Pending Interrupt register
	C	-	Clear Pending Interrupt register
Mask Interrupt	R/W	Read Mask Interrupt register	Write Mask Interrupt register
	S	-	Set Mask Interrupt
	C	-	Clear Mask Interrupt

**Note:** The pending interrupt can be forced for testing purposes by writing the Pending Interrupt register to '1'.

### 36.7.7.2 Interrupt Usage

The interrupts must be configured before using them.

To do so, the corresponding bit must be set in the SPW\_PKTRX1, SPW\_PKTTX1, SPW\_TCH or SPW\_LINKx Interrupt Mask registers.

When an interrupt is detected:

- The block origin of the interruption is found by reading the SpaceWire group Irq status 1 or 2 registers (SPW\_GROUP\_IRQSTS1 and SPW\_GROUP\_IRQSTS2).
- More detail of the origin is then available by reading the SPW\_PKTRX1, SPW\_PKTTX1, SPW\_TCH or SPW\_LINKx Pending Interrupt registers where the corresponding bit is pending.

There are several ways to clear a pending interrupt:

- Read and clear the Pending Interrupt register (access type RCM).
- Write to '0' (Clear) the corresponding Pending Interrupt register. (access type C).

## 36.8 Register Summary

Offset	Name	Bit Pos.	7	6	5	4	3	2	1	0	
0x00	SPW_ROUTER_STS	7:0						DEST[4:0]			
		15:8						SOURCE[4:0]			
		23:16	BYTE[7:0]								
		31:24	COUNT[7:0]								
0x04	SPW_ROUTER_CFG	7:0						DISTIMEOUT	FALLBACK	LAENA	
		15:8									
		23:16									
		31:24									
0x08	SPW_ROUTER_TIME OUT	7:0	ADDR[4:0]								
		15:8									
		23:16									
		31:24	LOCKED								
0x0C ... 0x7F	Reserved										
0x80	SPW_ROUTER_TABL E 32	7:0	ADDR[4:0]								
		15:8								DELHEAD	
		23:16									
		31:24									
...											
0x03FC	SPW_ROUTER_TABL E255	7:0	ADDR[4:0]								
		15:8								DELHEAD	
		23:16									
		31:24									
0x0400	SPW_LINK1_PI_RM	7:0	DISCARD	EEPREC	EEPTRANS	LINKABORT	CRERR	ESCERR	PARERR	DISERR	
		15:8							ESCEVENT1	ESCEVENT2	
		23:16									
		31:24									
0x0404 ... 0x0407	Reserved										
0x0408	SPW_LINK1_PI_R	7:0	DISCARD	EEPREC	EEPTRANS	LINKABORT	CRERR	ESCERR	PARERR	DISERR	
		15:8							ESCEVENT1	ESCEVENT2	
		23:16									
		31:24									
0x040C	SPW_LINK1_PI_RCS	7:0	DISCARD	EEPREC	EEPTRANS	LINKABORT	CRERR	ESCERR	PARERR	DISERR	
		15:8							ESCEVENT1	ESCEVENT2	
		23:16									
		31:24									
0x0410	SPW_LINK1_IM	7:0	DISCARD	EEPREC	EEPTRANS	LINKABORT	CRERR	ESCERR	PARERR	DISERR	
		15:8							ESCEVENT1	ESCEVENT2	
		23:16									
		31:24									
0x0414	SPW_LINK1_PI_C	7:0	DISCARD	EEPREC	EEPTRANS	LINKABORT	CRERR	ESCERR	PARERR	DISERR	
		15:8							ESCEVENT1	ESCEVENT2	
		23:16									
		31:24									
0x0418	SPW_LINK1_IM_S	7:0	DISCARD	EEPREC	EEPTRANS	LINKABORT	CRERR	ESCERR	PARERR	DISERR	
		15:8							ESCEVENT1	ESCEVENT2	
		23:16									
		31:24									
0x041C	SPW_LINK1_IM_C	7:0	DISCARD	EEPREC	EEPTRANS	LINKABORT	CRERR	ESCERR	PARERR	DISERR	
		15:8							ESCEVENT1	ESCEVENT2	
		23:16									
		31:24									
0x0420	SPW_LINK1_CFG	7:0							COMMAND[1:0]		
		15:8									
		23:16									
		31:24									

.....continued												
Offset	Name	Bit Pos.	7	6	5	4	3	2	1	0		
0x0424	SPW_LINK1_CLKDIV	7:0						TXOPERDIV[4:0]				
		15:8										
		23:16							TXINITDIV[4:0]			
		31:24										
0x0428	SPW_LINK1_STATUS	7:0	TXDEFDIV[3:0]						LINKSTATE[2:0]			
		15:8									TXDEFDIV[4]	
		23:16	SEEN3	SEEN2	SEEN1	SEEN0	GOTNCHAR	GOTFCT	GOTNULL	TXEMPTY		
		31:24								SEEN5	SEEN4	
0x042C	SPW_LINK1_SWRES ET	7:0	PATTERN[7:0]									
		15:8	PATTERN[15:8]									
		23:16	PATTERN[23:16]									
		31:24	PATTERN[31:24]									
0x0430	SPW_LINK1_ESCCH AREVENT1	7:0	VALUE[7:0]									
		15:8	MASK[7:0]									
		23:16								HWEVENT	ACTIVE	
		31:24										
0x0434	SPW_LINK1_ESCCH AREVENT2	7:0	VALUE[7:0]									
		15:8	MASK[7:0]									
		23:16								HWEVENT	ACTIVE	
		31:24										
0x0438	SPW_LINK1_ESCCH ARSTS	7:0	CHAR1[7:0]									
		15:8	CHAR2[7:0]									
		23:16										
		31:24										
0x043C	SPW_LINK1_TRANS ESC	7:0	CHAR[7:0]									
		15:8										
		23:16										
		31:24										
0x0440	SPW_LINK1_DISTIN TPI_RM	7:0	DI7	DI6	DI5	DI4	DI3	DI2	DI1	DI0		
		15:8	DI15	DI14	DI13	DI12	DI11	DI10	DI9	DI8		
		23:16	DI23	DI22	DI21	DI20	DI19	DI18	DI17	DI16		
		31:24	DI31	DI30	DI29	DI28	DI27	DI26	DI25	DI24		
0x0444	SPW_LINK1_DISTIN TPI_RCM	7:0	DI7	DI6	DI5	DI4	DI3	DI2	DI1	DI0		
		15:8	DI15	DI14	DI13	DI12	DI11	DI10	DI9	DI8		
		23:16	DI23	DI22	DI21	DI20	DI19	DI18	DI17	DI16		
		31:24	DI31	DI30	DI29	DI28	DI27	DI26	DI25	DI24		
0x0448	SPW_LINK1_DISTIN TPI_R	7:0	DI7	DI6	DI5	DI4	DI3	DI2	DI1	DI0		
		15:8	DI15	DI14	DI13	DI12	DI11	DI10	DI9	DI8		
		23:16	DI23	DI22	DI21	DI20	DI19	DI18	DI17	DI16		
		31:24	DI31	DI30	DI29	DI28	DI27	DI26	DI25	DI24		
0x044C	SPW_LINK1_DISTIN TPI_RCS	7:0	DI7	DI6	DI5	DI4	DI3	DI2	DI1	DI0		
		15:8	DI15	DI14	DI13	DI12	DI11	DI10	DI9	DI8		
		23:16	DI23	DI22	DI21	DI20	DI19	DI18	DI17	DI16		
		31:24	DI31	DI30	DI29	DI28	DI27	DI26	DI25	DI24		
0x0450	SPW_LINK1_DISTIN TIM	7:0	DI7	DI6	DI5	DI4	DI3	DI2	DI1	DI0		
		15:8	DI15	DI14	DI13	DI12	DI11	DI10	DI9	DI8		
		23:16	DI23	DI22	DI21	DI20	DI19	DI18	DI17	DI16		
		31:24	DI31	DI30	DI29	DI28	DI27	DI26	DI25	DI24		
0x0454	SPW_LINK1_DISTIN TPI_C	7:0	DI7	DI6	DI5	DI4	DI3	DI2	DI1	DI0		
		15:8	DI15	DI14	DI13	DI12	DI11	DI10	DI9	DI8		
		23:16	DI23	DI22	DI21	DI20	DI19	DI18	DI17	DI16		
		31:24	DI31	DI30	DI29	DI28	DI27	DI26	DI25	DI24		
0x0458	SPW_LINK1_DISTIN TIM_S	7:0	DI7	DI6	DI5	DI4	DI3	DI2	DI1	DI0		
		15:8	DI15	DI14	DI13	DI12	DI11	DI10	DI9	DI8		
		23:16	DI23	DI22	DI21	DI20	DI19	DI18	DI17	DI16		
		31:24	DI31	DI30	DI29	DI28	DI27	DI26	DI25	DI24		
0x045C	SPW_LINK1_DISTIN TIM_C	7:0	DI7	DI6	DI5	DI4	DI3	DI2	DI1	DI0		
		15:8	DI15	DI14	DI13	DI12	DI11	DI10	DI9	DI8		
		23:16	DI23	DI22	DI21	DI20	DI19	DI18	DI17	DI16		
		31:24	DI31	DI30	DI29	DI28	DI27	DI26	DI25	DI24		

.....continued										
Offset	Name	Bit Pos.	7	6	5	4	3	2	1	0
0x0460	SPW_LINK1_DISTAC KPI_RM	7:0	DA7	DA6	DA5	DA4	DA3	DA2	DA1	DA0
		15:8	DA15	DA14	DA13	DA12	DA11	DA10	DA9	DA8
		23:16	DA23	DA22	DA21	DA20	DA19	DA18	DA17	DA16
		31:24	DA31	DA30	DA29	DA28	DA27	DA26	DA25	DA24
0x0464	SPW_LINK1_DISTAC KPI_RCM	7:0	DA7	DA6	DA5	DA4	DA3	DA2	DA1	DA0
		15:8	DA15	DA14	DA13	DA12	DA11	DA10	DA9	DA8
		23:16	DA23	DA22	DA21	DA20	DA19	DA18	DA17	DA16
		31:24	DA31	DA30	DA29	DA28	DA27	DA26	DA25	DA24
0x0468	SPW_LINK1_DISTAC KPI_R	7:0	DA7	DA6	DA5	DA4	DA3	DA2	DA1	DA0
		15:8	DA15	DA14	DA13	DA12	DA11	DA10	DA9	DA8
		23:16	DA23	DA22	DA21	DA20	DA19	DA18	DA17	DA16
		31:24	DA31	DA30	DA29	DA28	DA27	DA26	DA25	DA24
0x046C	SPW_LINK1_DISTAC KPI_RCS	7:0	DA7	DA6	DA5	DA4	DA3	DA2	DA1	DA0
		15:8	DA15	DA14	DA13	DA12	DA11	DA10	DA9	DA8
		23:16	DA23	DA22	DA21	DA20	DA19	DA18	DA17	DA16
		31:24	DA31	DA30	DA29	DA28	DA27	DA26	DA25	DA24
0x0470	SPW_LINK1_DISTAC KIM	7:0	DA7	DA6	DA5	DA4	DA3	DA2	DA1	DA0
		15:8	DA15	DA14	DA13	DA12	DA11	DA10	DA9	DA8
		23:16	DA23	DA22	DA21	DA20	DA19	DA18	DA17	DA16
		31:24	DA31	DA30	DA29	DA28	DA27	DA26	DA25	DA24
0x0474	SPW_LINK1_DISTAC KPI_C	7:0	DA7	DA6	DA5	DA4	DA3	DA2	DA1	DA0
		15:8	DA15	DA14	DA13	DA12	DA11	DA10	DA9	DA8
		23:16	DA23	DA22	DA21	DA20	DA19	DA18	DA17	DA16
		31:24	DA31	DA30	DA29	DA28	DA27	DA26	DA25	DA24
0x0478	SPW_LINK1_DISTAC KIM_S	7:0	DA7	DA6	DA5	DA4	DA3	DA2	DA1	DA0
		15:8	DA15	DA14	DA13	DA12	DA11	DA10	DA9	DA8
		23:16	DA23	DA22	DA21	DA20	DA19	DA18	DA17	DA16
		31:24	DA31	DA30	DA29	DA28	DA27	DA26	DA25	DA24
0x047C	SPW_LINK1_DISTAC KIM_C	7:0	DA7	DA6	DA5	DA4	DA3	DA2	DA1	DA0
		15:8	DA15	DA14	DA13	DA12	DA11	DA10	DA9	DA8
		23:16	DA23	DA22	DA21	DA20	DA19	DA18	DA17	DA16
		31:24	DA31	DA30	DA29	DA28	DA27	DA26	DA25	DA24
0x0480	SPW_LINK2_PI_RM	7:0	DISCARD	EEPREC	EEPTRANS	LINKABORT	CRERR	ESCERR	PARERR	DISERR
		15:8							ESCEVENT1	ESCEVENT2
		23:16								
		31:24								
0x0484 ... 0x0487	Reserved									
0x0488	SPW_LINK2_PL_R	7:0	DISCARD	EEPREC	EEPTRANS	LINKABORT	CRERR	ESCERR	PARERR	DISERR
		15:8							ESCEVENT1	ESCEVENT2
		23:16								
		31:24								
0x048C	SPW_LINK2_PI_RCS	7:0	DISCARD	EEPREC	EEPTRANS	LINKABORT	CRERR	ESCERR	PARERR	DISERR
		15:8							ESCEVENT1	ESCEVENT2
		23:16								
		31:24								
0x0490	SPW_LINK2_IM	7:0	DISCARD	EEPREC	EEPTRANS	LINKABORT	CRERR	ESCERR	PARERR	DISERR
		15:8							ESCEVENT1	ESCEVENT2
		23:16								
		31:24								
0x0494	SPW_LINK2_PL_C	7:0	DISCARD	EEPREC	EEPTRANS	LINKABORT	CRERR	ESCERR	PARERR	DISERR
		15:8							ESCEVENT1	ESCEVENT2
		23:16								
		31:24								
0x0498	SPW_LINK2_IM_S	7:0	DISCARD	EEPREC	EEPTRANS	LINKABORT	CRERR	ESCERR	PARERR	DISERR
		15:8							ESCEVENT1	ESCEVENT2
		23:16								
		31:24								



.....continued										
Offset	Name	Bit Pos.	7	6	5	4	3	2	1	0
0x049C	SPW_LINK2_IM_C	7:0	DISCARD	EEPREC	EEPTRANS	LINKABORT	CRERR	ESCERR	PARERR	DISERR
		15:8							ESCEVENT1	ESCEVENT2
		23:16								
		31:24								
0x04A0	SPW_LINK2_CFG	7:0							COMMAND[1:0]	
		15:8								
		23:16								
		31:24								
0x04A4	SPW_LINK2_CLKDIV	7:0				TXOPERDIV[4:0]				
		15:8								
		23:16				TXINITDIV[4:0]				
		31:24								
0x04A8	SPW_LINK2_STATUS	7:0	TXDEFDIV[3:0]						LINKSTATE[2:0]	
		15:8								TXDEFDIV[4]
		23:16	SEEN3	SEEN2	SEEN1	SEEN0	GOTNCHAR	GOTFCT	GOTNULL	TXEMPTY
		31:24							SEEN5	SEEN4
0x04AC	SPW_LINK2_SWRES ET	7:0	PATTERN[7:0]							
		15:8	PATTERN[15:8]							
		23:16	PATTERN[23:16]							
		31:24	PATTERN[31:24]							
0x04B0	SPW_LINK2_ESCCH AREVENT1	7:0	VALUE[7:0]							
		15:8	MASK[7:0]							
		23:16							HWEVENT	ACTIVE
		31:24								
0x04B4	SPW_LINK2_ESCCH AREVENT2	7:0	VALUE[7:0]							
		15:8	MASK[7:0]							
		23:16							HWEVENT	ACTIVE
		31:24								
0x04B8	SPW_LINK2_ESCCH ARSTS	7:0	CHAR1[7:0]							
		15:8	CHAR2[7:0]							
		23:16								
		31:24								
0x04BC	SPW_LINK2_TRANS ESC	7:0	CHAR[7:0]							
		15:8								
		23:16								
		31:24								
0x04C0	SPW_LINK2_DISTIN TPI_RM	7:0	DI7	DI6	DI5	DI4	DI3	DI2	DI1	DI0
		15:8	DI15	DI14	DI13	DI12	DI11	DI10	DI9	DI8
		23:16	DI23	DI22	DI21	DI20	DI19	DI18	DI17	DI16
		31:24	DI31	DI30	DI29	DI28	DI27	DI26	DI25	DI24
0x04C4	SPW_LINK2_DISTIN TPI_RCM	7:0	DI7	DI6	DI5	DI4	DI3	DI2	DI1	DI0
		15:8	DI15	DI14	DI13	DI12	DI11	DI10	DI9	DI8
		23:16	DI23	DI22	DI21	DI20	DI19	DI18	DI17	DI16
		31:24	DI31	DI30	DI29	DI28	DI27	DI26	DI25	DI24
0x04C8	SPW_LINK2_DISTIN TPI_R	7:0	DI7	DI6	DI5	DI4	DI3	DI2	DI1	DI0
		15:8	DI15	DI14	DI13	DI12	DI11	DI10	DI9	DI8
		23:16	DI23	DI22	DI21	DI20	DI19	DI18	DI17	DI16
		31:24	DI31	DI30	DI29	DI28	DI27	DI26	DI25	DI24
0x04CC	SPW_LINK2_DISTIN TPI_RCS	7:0	DI7	DI6	DI5	DI4	DI3	DI2	DI1	DI0
		15:8	DI15	DI14	DI13	DI12	DI11	DI10	DI9	DI8
		23:16	DI23	DI22	DI21	DI20	DI19	DI18	DI17	DI16
		31:24	DI31	DI30	DI29	DI28	DI27	DI26	DI25	DI24
0x04D0	SPW_LINK2_DISTIN TIM	7:0	DI7	DI6	DI5	DI4	DI3	DI2	DI1	DI0
		15:8	DI15	DI14	DI13	DI12	DI11	DI10	DI9	DI8
		23:16	DI23	DI22	DI21	DI20	DI19	DI18	DI17	DI16
		31:24	DI31	DI30	DI29	DI28	DI27	DI26	DI25	DI24
0x04D4	SPW_LINK2_DISTIN TPI_C	7:0	DI7	DI6	DI5	DI4	DI3	DI2	DI1	DI0
		15:8	DI15	DI14	DI13	DI12	DI11	DI10	DI9	DI8
		23:16	DI23	DI22	DI21	DI20	DI19	DI18	DI17	DI16
		31:24	DI31	DI30	DI29	DI28	DI27	DI26	DI25	DI24

.....continued

Offset	Name	Bit Pos.	7	6	5	4	3	2	1	0
0x04D8	SPW_LINK2_DISTIN TIM_S	7:0	DI7	DI6	DI5	DI4	DI3	DI2	DI1	DI0
		15:8	DI15	DI14	DI13	DI12	DI11	DI10	DI9	DI8
		23:16	DI23	DI22	DI21	DI20	DI19	DI18	DI17	DI16
		31:24	DI31	DI30	DI29	DI28	DI27	DI26	DI25	DI24
0x04DC	SPW_LINK2_DISTIN TIM_C	7:0	DI7	DI6	DI5	DI4	DI3	DI2	DI1	DI0
		15:8	DI15	DI14	DI13	DI12	DI11	DI10	DI9	DI8
		23:16	DI23	DI22	DI21	DI20	DI19	DI18	DI17	DI16
		31:24	DI31	DI30	DI29	DI28	DI27	DI26	DI25	DI24
0x04E0	SPW_LINK2_DISTAC KPI_RM	7:0	DA7	DA6	DA5	DA4	DA3	DA2	DA1	DA0
		15:8	DA15	DA14	DA13	DA12	DA11	DA10	DA9	DA8
		23:16	DA23	DA22	DA21	DA20	DA19	DA18	DA17	DA16
		31:24	DA31	DA30	DA29	DA28	DA27	DA26	DA25	DA24
0x04E4	SPW_LINK2_DISTAC KPI_RCM	7:0	DA7	DA6	DA5	DA4	DA3	DA2	DA1	DA0
		15:8	DA15	DA14	DA13	DA12	DA11	DA10	DA9	DA8
		23:16	DA23	DA22	DA21	DA20	DA19	DA18	DA17	DA16
		31:24	DA31	DA30	DA29	DA28	DA27	DA26	DA25	DA24
0x04E8	SPW_LINK2_DISTAC KPI_R	7:0	DA7	DA6	DA5	DA4	DA3	DA2	DA1	DA0
		15:8	DA15	DA14	DA13	DA12	DA11	DA10	DA9	DA8
		23:16	DA23	DA22	DA21	DA20	DA19	DA18	DA17	DA16
		31:24	DA31	DA30	DA29	DA28	DA27	DA26	DA25	DA24
0x04EC	SPW_LINK2_DISTAC KPI_RCS	7:0	DA7	DA6	DA5	DA4	DA3	DA2	DA1	DA0
		15:8	DA15	DA14	DA13	DA12	DA11	DA10	DA9	DA8
		23:16	DA23	DA22	DA21	DA20	DA19	DA18	DA17	DA16
		31:24	DA31	DA30	DA29	DA28	DA27	DA26	DA25	DA24
0x04F0	SPW_LINK2_DISTAC KIM	7:0	DA7	DA6	DA5	DA4	DA3	DA2	DA1	DA0
		15:8	DA15	DA14	DA13	DA12	DA11	DA10	DA9	DA8
		23:16	DA23	DA22	DA21	DA20	DA19	DA18	DA17	DA16
		31:24	DA31	DA30	DA29	DA28	DA27	DA26	DA25	DA24
0x04F4	SPW_LINK2_DISTAC KPI_C	7:0	DA7	DA6	DA5	DA4	DA3	DA2	DA1	DA0
		15:8	DA15	DA14	DA13	DA12	DA11	DA10	DA9	DA8
		23:16	DA23	DA22	DA21	DA20	DA19	DA18	DA17	DA16
		31:24	DA31	DA30	DA29	DA28	DA27	DA26	DA25	DA24
0x04F8	SPW_LINK2_DISTAC KIM_S	7:0	DA7	DA6	DA5	DA4	DA3	DA2	DA1	DA0
		15:8	DA15	DA14	DA13	DA12	DA11	DA10	DA9	DA8
		23:16	DA23	DA22	DA21	DA20	DA19	DA18	DA17	DA16
		31:24	DA31	DA30	DA29	DA28	DA27	DA26	DA25	DA24
0x04FC	SPW_LINK2_DISTAC KIM_C	7:0	DA7	DA6	DA5	DA4	DA3	DA2	DA1	DA0
		15:8	DA15	DA14	DA13	DA12	DA11	DA10	DA9	DA8
		23:16	DA23	DA22	DA21	DA20	DA19	DA18	DA17	DA16
		31:24	DA31	DA30	DA29	DA28	DA27	DA26	DA25	DA24
0x0500 ... 0x07FF	Reserved									
0x0800	SPW_PKTRX1_PLR M	7:0				ACT	DISCARD	EEP	EOP	DEACT
		15:8								
		23:16								
		31:24								
0x0804 ... 0x0807	Reserved									
0x0808	SPW_PKTRX1_PLR	7:0				ACT	DISCARD	EEP	EOP	DEACT
		15:8								
		23:16								
		31:24								
0x080C	SPW_PKTRX1_PLR S	7:0				ACT	DISCARD	EEP	EOP	DEACT
		15:8								
		23:16								
		31:24								

.....continued

Offset	Name	Bit Pos.	7	6	5	4	3	2	1	0
0x0810	SPW_PKTRX1_IM	7:0				ACT	DISCARD	EEP	EOP	DEACT
		15:8								
		23:16								
		31:24								
0x0814	SPW_PKTRX1_PL_C	7:0				ACT	DISCARD	EEP	EOP	DEACT
		15:8								
		23:16								
		31:24								
0x0818	SPW_PKTRX1_IM_S	7:0				ACT	DISCARD	EEP	EOP	DEACT
		15:8								
		23:16								
		31:24								
0x081C	SPW_PKTRX1_IM_C	7:0				ACT	DISCARD	EEP	EOP	DEACT
		15:8								
		23:16								
		31:24								
0x0820	SPW_PKTRX1_CFG	7:0								DISCARD
		15:8								
		23:16								
		31:24								
0x0824	SPW_PKTRX1_STAT US	7:0	COUNT[7:0]							
		15:8	COUNT[15:8]							
		23:16			DEACT	PENDING	ACT	ARM	LOCKED	PACKET
		31:24								
0x0828 ... 0x082F	Reserved									
0x0830	SPW_PKTRX1_NXTB UFDATAADDR	7:0	ADDR[7:0]							
		15:8	ADDR[15:8]							
		23:16	ADDR[23:16]							
		31:24	ADDR[31:24]							
0x0834	SPW_PKTRX1_NXTB UFDATALEN	7:0	LEN[7:0]							
		15:8	LEN[15:8]							
		23:16	LEN[23:16]							
		31:24								
0x0838	SPW_PKTRX1_NXTB UFPKTADDR	7:0	ADDR[7:0]							
		15:8	ADDR[15:8]							
		23:16	ADDR[23:16]							
		31:24	ADDR[31:24]							
0x083C	SPW_PKTRX1_NXTB UF CFG	7:0	MAXCNT[7:0]							
		15:8	MAXCNT[15:8]							
		23:16	START[2:0]		VALUE[5:0]					
		31:24		SPLIT						START[2:0]
0x0840	SPW_PKTRX1_CURB UFDATAADDR	7:0	ADDR[7:0]							
		15:8	ADDR[15:8]							
		23:16	ADDR[23:16]							
		31:24	ADDR[31:24]							
0x0844	SPW_PKTRX1_CURB UFDATALEN	7:0	LEN[7:0]							
		15:8	LEN[15:8]							
		23:16	LEN[23:16]							
		31:24								
0x0848	SPW_PKTRX1_CURB UFPKTADDR	7:0	ADDR[7:0]							
		15:8	ADDR[15:8]							
		23:16	ADDR[23:16]							
		31:24	ADDR[31:24]							
0x084C	SPW_PKTRX1_CURB UF CFG	7:0	MAXCNT[7:0]							
		15:8	MAXCNT[15:8]							
		23:16								
		31:24	ABORT	SPLIT						

.....continued											
Offset	Name	Bit Pos.	7	6	5	4	3	2	1	0	
0x0850	SPW_PKTRX1_PREV BUFDATALEN	7:0	LEN[7:0]								
		15:8	LEN[15:8]								
		23:16	LEN[23:16]								
		31:24									
0x0854	SPW_PKTRX1_PREV BUFSTS	7:0	CNT[7:0]								
		15:8	CNT[15:8]								
		23:16						DMAERR	FULLD	FULLI	EEP
		31:24	LOCKED								
0x0858 ... 0x087B	Reserved										
0x087C	SPW_PKTRX1_SWRE SET	7:0	PATTERN[7:0]								
		15:8	PATTERN[15:8]								
		23:16	PATTERN[23:16]								
		31:24	PATTERN[31:24]								
0x0880 ... 0x0BFF	Reserved										
0x0C00	SPW_PKTTX1_PL_R M	7:0					EEP	EOP	ACT	DEACT	
		15:8									
		23:16									
		31:24									
0x0C04 ... 0x0C07	Reserved										
0x0C08	SPW_PKTTX1_PL_R	7:0					EEP	EOP	ACT	DEACT	
		15:8									
		23:16									
		31:24									
0x0C0C	SPW_PKTTX1_PL_RC S	7:0					EEP	EOP	ACT	DEACT	
		15:8									
		23:16									
		31:24									
0x0C10	SPW_PKTTX1_IM	7:0					EEP	EOP	ACT	DEACT	
		15:8									
		23:16									
		31:24									
0x0C14	SPW_PKTTX1_PL_C	7:0					EEP	EOP	ACT	DEACT	
		15:8									
		23:16									
		31:24									
0x0C18	SPW_PKTTX1_IM_S	7:0					EEP	EOP	ACT	DEACT	
		15:8									
		23:16									
		31:24									
0x0C1C	SPW_PKTTX1_IM_C	7:0					EEP	EOP	ACT	DEACT	
		15:8									
		23:16									
		31:24									
0x0C20	SPW_PKTTX1_STAT US	7:0					DEACT	PENDING	ACT	ARM	
		15:8									
		23:16							PREV[2:0]		
		31:24									
0x0C24	SPW_PKTTX1_NXTS ENDROUT	7:0	BYTE4[7:0]								
		15:8	BYTE3[7:0]								
		23:16	BYTE2[7:0]								
		31:24	BYTE1[7:0]								
0x0C28	SPW_PKTTX1_NXTS ENDADDR	7:0	ADDR[7:0]								
		15:8	ADDR[15:8]								
		23:16	ADDR[23:16]								
		31:24	ADDR[31:24]								

.....continued												
Offset	Name	Bit Pos.	7	6	5	4	3	2	1	0		
0x0C2C	SPW_PKTTX1_NXTS ENDCFG	7:0	LEN[7:0]									
		15:8	LEN[15:8]									
		23:16	START[1:0]				VALUE[5:0]					
		31:24	ABORT									
0x0C30	SPW_PKTTX1_CURS ENDROUT	7:0	BYTE4[7:0]									
		15:8	BYTE3[7:0]									
		23:16	BYTE2[7:0]									
		31:24	BYTE1[7:0]									
0x0C34	SPW_PKTTX1_CURS ENDADDR	7:0	ADDR[7:0]									
		15:8	ADDR[15:8]									
		23:16	ADDR[23:16]									
		31:24	ADDR[31:24]									
0x0C38	SPW_PKTTX1_CURS ENDCFG	7:0	LEN[7:0]									
		15:8	LEN[15:8]									
		23:16										
		31:24	ABORT									
0x0C3C	SPW_PKTTX1_SWRE SET	7:0	PATTERN[7:0]									
		15:8	PATTERN[15:8]									
		23:16	PATTERN[23:16]									
		31:24	PATTERN[31:24]									
0x0C40 ... 0x0DFF	Reserved											
0x0E00	SPW_RMAP1_CFG	7:0	DESTKEY[7:0]									
		15:8	TLA[7:0]									
		23:16										
		31:24	RMAPENA									
0x0E04	SPW_RMAP1_STS_R C	7:0	ERRCODE[7:0]									
		15:8										
		23:16										
		31:24	VALID									
0x0E08	SPW_RMAP1_STS	7:0	ERRCODE[7:0]									
		15:8										
		23:16										
		31:24	VALID									
0x0E0C ... 0x0E7F	Reserved											
0x0E80	SPW_TCH_PI_RM	7:0				EARLYWD	LATEWD	ANYTIMECOD E	TIMECODE	TCEVENT		
		15:8										
		23:16										
		31:24										
0x0E84 ... 0x0E87	Reserved											
0x0E88	SPW_TCH_PI_R	7:0				EARLYWD	LATEWD	ANYTIMECOD E	TIMECODE	TCEVENT		
		15:8										
		23:16										
		31:24										
0x0E8C	SPW_TCH_PI_RCS	7:0				EARLYWD	LATEWD	ANYTIMECOD E	TIMECODE	TCEVENT		
		15:8										
		23:16										
		31:24										
0x0E90	SPW_TCH_IM	7:0				EARLYWD	LATEWD	ANYTIMECOD E	TIMECODE	TCEVENT		
		15:8										
		23:16										
		31:24										

.....continued

Offset	Name	Bit Pos.	7	6	5	4	3	2	1	0
0x0E94	SPW_TCH_PL_C	7:0				EARLYWD	LATEWD	ANYTIMECODE	TIMECODE	TCEVENT
		15:8								
		23:16								
		31:24								
0x0E98	SPW_TCH_IM_S	7:0				EARLYWD	LATEWD	ANYTIMECODE	TIMECODE	TCEVENT
		15:8								
		23:16								
		31:24								
0x0E9C	SPW_TCH_IM_C	7:0				EARLYWD	LATEWD	ANYTIMECODE	TIMECODE	TCEVENT
		15:8								
		23:16								
		31:24								
0x0EA0	SPW_TCH_CFGLIST EN	7:0							L1	L0
		15:8								
		23:16								
		31:24								
0x0EA4	SPW_TCH_CFGSEN D	7:0							S1	S0
		15:8								
		23:16								
		31:24								
0x0EA8	SPW_TCH_CFG	7:0			EVENT[5:0]					
		15:8								
		23:16								
		31:24								
0x0EAC	SPW_TCH_CFGGREST ART	7:0			VALUE[5:0]					
		15:8	ONESHOT	PPS	EVENT[5:0]					
		23:16								
		31:24								
0x0EB0	SPW_TCH_CFGTCEV ENT	7:0			VALUE[5:0]					
		15:8			MASK[5:0]					
		23:16								
		31:24								
0x0EB4	SPW_TCH_CFGWD	7:0			LATE[7:0]					
		15:8			LATE[15:8]					
		23:16			EARLY[7:0]					
		31:24			EARLY[15:8]					
0x0EB8	SPW_TCH_LASTTIM ECODE	7:0			VALUE[5:0]					
		15:8								SEND
		23:16								
		31:24								
0x0EBC	SPW_TCH_SWRESET	7:0			PATTERN[7:0]					
		15:8			PATTERN[15:8]					
		23:16			PATTERN[23:16]					
		31:24			PATTERN[31:24]					
0x0ECO ... 0x0EFF	Reserved									
0x0F00	SPW_GROUP_IRQS TS1	7:0	TX1							
		15:8	RX1							
		23:16								
		31:24								TCH
0x0F04	SPW_GROUP_IRQS TS2	7:0								
		15:8								
		23:16	Di1	Dia1	Link1	Di2	Dia2	Link2		
		31:24								
0x0F08 ... 0x0F0B	Reserved									

.....continued

Offset	Name	Bit Pos.	7	6	5	4	3	2	1	0	
0x0F0C	SPW_GROUP_EDAC STS	7:0	CORR[7:0]								
		15:8	UNCORR[7:0]								
		23:16									
		31:24									

### 36.8.1 SpW Router Status

**Name:** SPW\_ROUTER\_STS  
**Offset:** 0x00  
**Reset:** 0x00000000  
**Property:** Read-only

**Note:** This register is cleared on read.

Bit	31	30	29	28	27	26	25	24
	COUNT[7:0]							
Access	R	R	R	R	R	R	R	R
Reset	0	0	0	0	0	0	0	0
Bit	23	22	21	20	19	18	17	16
	BYTE[7:0]							
Access	R	R	R	R	R	R	R	R
Reset	0	0	0	0	0	0	0	0
Bit	15	14	13	12	11	10	9	8
					SOURCE[4:0]			
Access				R	R	R	R	R
Reset				0	0	0	0	0
Bit	7	6	5	4	3	2	1	0
				DEST[4:0]				
Access				R	R	R	R	R
Reset				0	0	0	0	0

**Bits 31:24 – COUNT[7:0]** Packet Count  
Number of dropped packets. Saturates at max.

**Bits 23:16 – BYTE[7:0]** Router byte  
Router byte of first dropped packet.

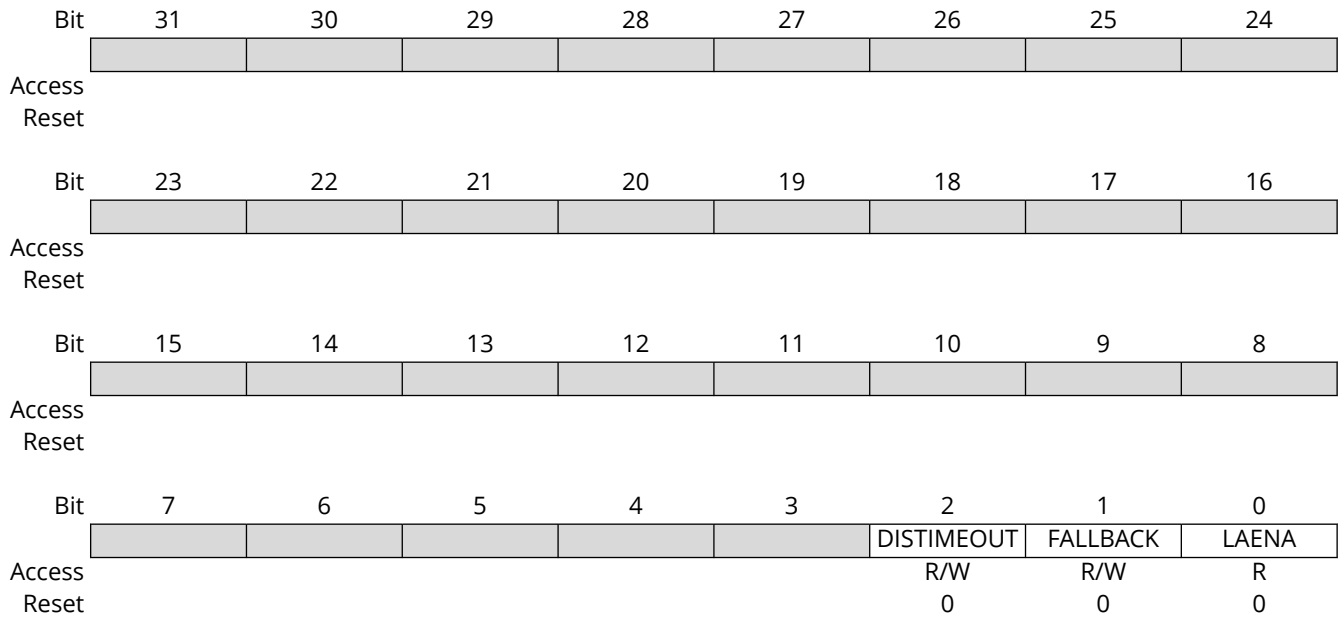
**Bits 12:8 – SOURCE[4:0]** Source Address  
Source of first dropped packet.

**Bits 4:0 – DEST[4:0]** Destination Address  
Destination from table of first dropped packet.



### 36.8.2 SpW Router Config

**Name:** SPW\_ROUTER\_CFG  
**Offset:** 0x04  
**Reset:** 0x00000000  
**Property:** Read/Write



#### Bit 2 - DISTIMEOUT Disable Timeout

Value	Description
1	Disable timeout.

#### Bit 1 - FALLBACK Fallback Routing

Value	Description
1	Enable fallback routing.

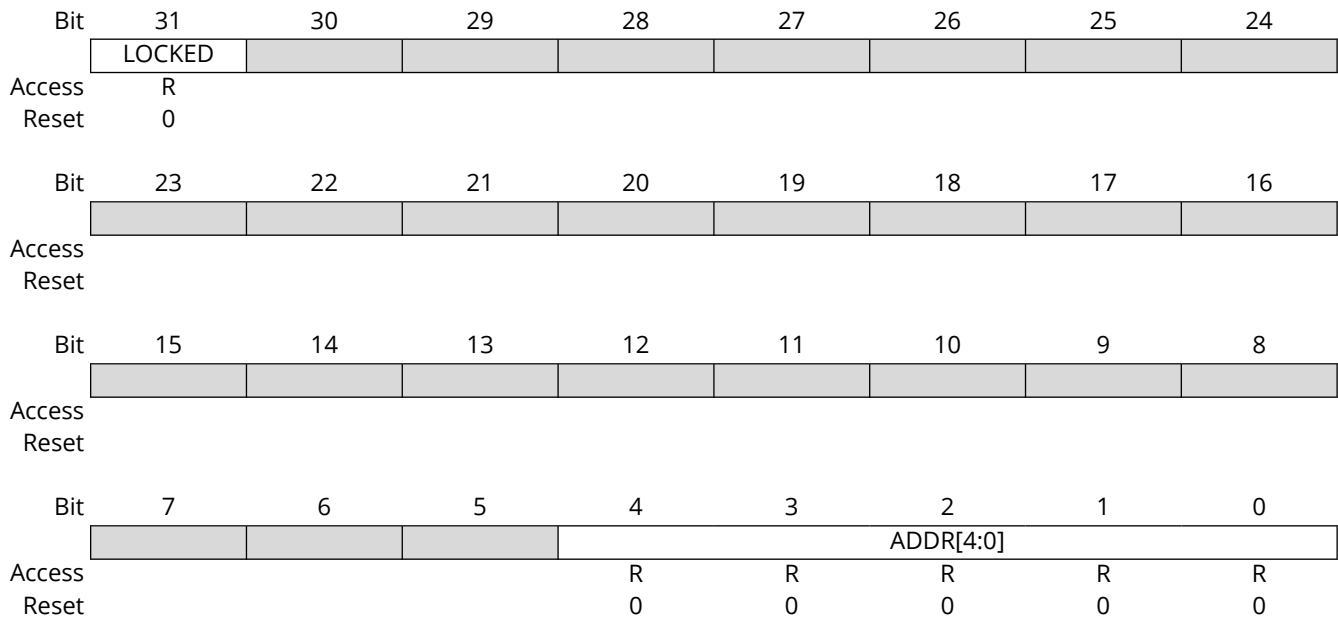
#### Bit 0 - LAENA LA Routing Enable

Value	Description
1	Enable logical address routing.

### 36.8.3 SpW Router Timeout

**Name:** SPW\_ROUTER\_TIMEOUT  
**Offset:** 0x08  
**Reset:** 0x00000000  
**Property:** Read-only

**Note:** This register is cleared on read.



#### Bit 31 – LOCKED Locked

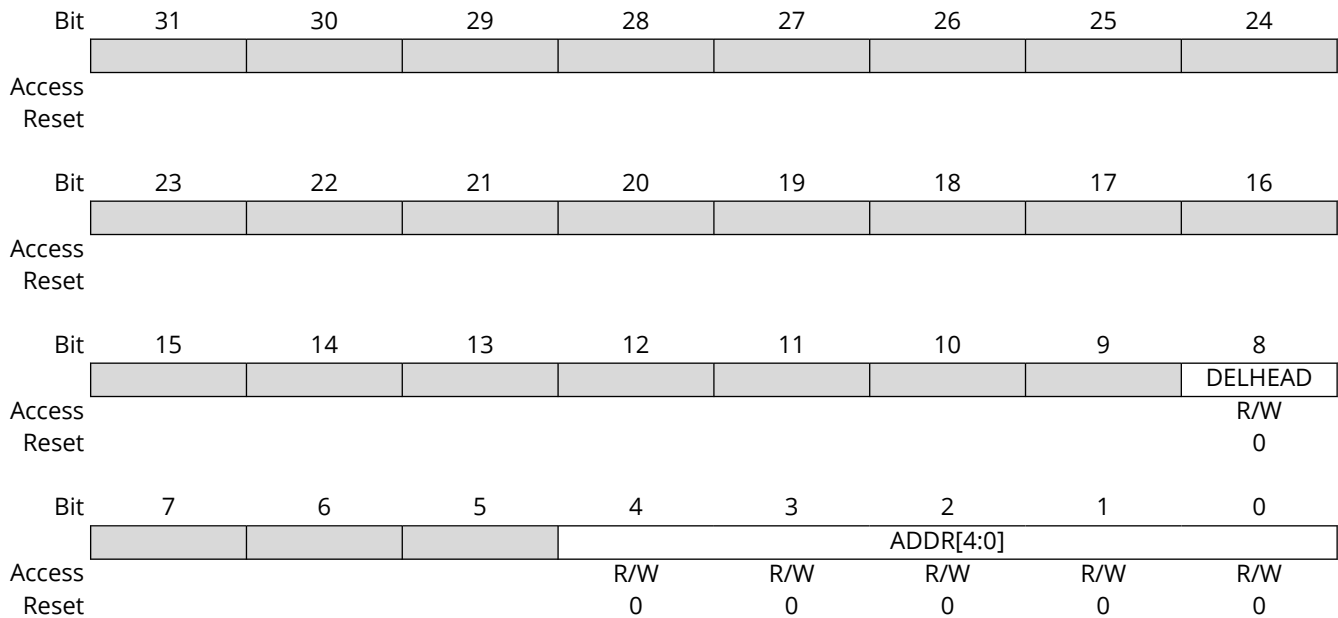
Value	Description
1	A timeout has occurred.

#### Bits 4:0 – ADDR[4:0] Physical Address Identifies destination that stalled.

### 36.8.4 SpW Router Table x

**Name:** SPW\_ROUTER\_TABLEx  
**Offset:** 0x80 + (x- 32)\*0x04 [x= 32..255]  
**Reset:** 0x00000000  
**Property:** Read/Write

**Note:** There are 224 instances of this register in the user interface.



#### Bit 8 – DELHEAD Delete Header Byte

Value	Description
1	Discard router byte for this logical address.

#### Bits 4:0 – ADDR[4:0] Address

Value	Description
0	Logical address is unused.
1-18	Physical address.
Others	Invalid

### 36.8.5 SpW Link x Pending Read Masked Interrupt

**Name:** SPW\_LINKx\_PI\_RM  
**Offset:** 0x0400 + (x-1)\*0x80 [x=1..2]  
**Reset:** 0x00000000  
**Property:** Read-only

Bit	31	30	29	28	27	26	25	24
Access								
Reset								
Bit	23	22	21	20	19	18	17	16
Access								
Reset								
Bit	15	14	13	12	11	10	9	8
Access							ESCEVENT1	ESCEVENT2
Reset							R/W	R/W
							0	0
Bit	7	6	5	4	3	2	1	0
Access	DISCARD	EEPREC	EEPTRANS	LINKABORT	CRERR	ESCERR	PARERR	DISERR
Reset	R/W	R/W	R/W	R/W	R/W	R/W	R/W	R
	0	0	0	0	0	0	0	0

#### Bit 9 - ESCEVENT1 Escape Event 1

Value	Description
1	Incoming Escape Character matched SPW_LINKx_EscCharEvent1.

#### Bit 8 - ESCEVENT2 Escape Event 2

Value	Description
1	Incoming Escape Character matched SPW_LINKx_EscCharEvent2.

#### Bit 7 - DISCARD Discard

Value	Description
1	Transmit packet discarded.

#### Bit 6 - EEPREC EEP Received

Value	Description
1	EEP received.

#### Bit 5 - EEPTRANS EEP Transmitted

Value	Description
1	EEP transmitted. If the link is not running it might not have been transmitted on the link, just passed the interface to the codec.

#### Bit 4 - LINKABORT LinkAbort

Value	Description
1	SpW Link x Status.LinkState has made a transition from Run to Error Reset.

#### Bit 3 - CRERR CrErr

Value	Description
1	Link interface credit error detected.

**Bit 2 - ESCERR** ESCErr

Value	Description
1	Link interface ESC error detected.

**Bit 1 - PARERR** ParErr

Value	Description
1	Link interface parity error detected.

**Bit 0 - DISERR** DisErr

Value	Description
1	Link interface disconnection error detected.

### 36.8.6 SpW Link x Pending Read Interrupt

**Name:** SPW\_LINKx\_PI\_R  
**Offset:** 0x0408 + (x-1)\*0x80 [x=1..2]  
**Reset:** 0x00000000  
**Property:** Read-only

Bit	31	30	29	28	27	26	25	24
Access								
Reset								
Bit	23	22	21	20	19	18	17	16
Access								
Reset								
Bit	15	14	13	12	11	10	9	8
Access							ESCEVENT1	ESCEVENT2
Reset							R	R
							0	0
Bit	7	6	5	4	3	2	1	0
Access	DISCARD	EEPREC	EEPTRANS	LINKABORT	CRERR	ESCERR	PARERR	DISERR
Reset	R	R	R	R	R	R	R	R
	0	0	0	0	0	0	0	0

#### Bit 9 - ESCEVENT1 Escape Event 1

Value	Description
1	Incoming Escape Character matched SPW_LINKx_ESCCHAREVENT1.

#### Bit 8 - ESCEVENT2 Escape Event 2

Value	Description
1	Incoming Escape Character matched SPW_LINKx_ESCCHAREVENT2.

#### Bit 7 - DISCARD Discard

Value	Description
1	Transmit packet discarded.

#### Bit 6 - EEPREC EEP Received

Value	Description
1	EEP received.

#### Bit 5 - EEPTRANS EEP Transmitted

Value	Description
1	EEP transmitted. If the link is not running it might not have been transmitted on the link, just passed the interface to the codec.

#### Bit 4 - LINKABORT LinkAbort

Value	Description
1	SPW_LINKx_STATUS.LINKSTATE has made a transition from Run to Error Reset.

#### Bit 3 - CRERR CrErr

Value	Description
1	Link interface credit error detected.

**Bit 2 - ESCERR** ESCErr

Value	Description
1	Link interface ESC error detected.

**Bit 1 - PARERR** ParErr

Value	Description
1	Link interface parity error detected.

**Bit 0 - DISERR** DisErr

Value	Description
1	Link interface disconnection error detected.

### 36.8.7 SpW Link x Pending Read and Clear Interrupt

**Name:** SPW\_LINKx\_PI\_RCS  
**Offset:** 0x040C + (x-1)\*0x80 [x=1..2]  
**Reset:** 0x00000000  
**Property:** Read/Write

Bit	31	30	29	28	27	26	25	24
Access								
Reset								
Bit	23	22	21	20	19	18	17	16
Access								
Reset								
Bit	15	14	13	12	11	10	9	8
Access							ESCEVENT1	ESCEVENT2
Reset							R/W 0	R/W 0
Bit	7	6	5	4	3	2	1	0
Access	DISCARD	EEPREC	EEPTRANS	LINKABORT	CRERR	ESCERR	PARERR	DISERR
Reset	R/W 0	R/W 0	R/W 0	R/W 0	R/W 0	R/W 0	R/W 0	R/W 0

#### Bit 9 - ESCEVENT1 Escape Event 1

Value	Description
1	Incoming Escape Character matched SPW_LINKx_ESCCHAREVENT1.

#### Bit 8 - ESCEVENT2 Escape Event 2

Value	Description
1	Incoming Escape Character matched SPW_LINKx_ESCCHAREVENT2.

#### Bit 7 - DISCARD Discard

Value	Description
1	Transmit packet discarded.

#### Bit 6 - EEPREC EEP Received

Value	Description
1	EEP received.

#### Bit 5 - EEPTRANS EEP Transmitted

Value	Description
1	EEP transmitted. If the link is not running it might not have been transmitted on the link, just passed the interface to the codec.

#### Bit 4 - LINKABORT LinkAbort

Value	Description
1	SPW_LINKx_STATUS.LINKSTATE has made a transition from Run to Error Reset.

#### Bit 3 - CRERR CrErr

Value	Description
1	Link interface credit error detected.



**Bit 2 - ESCERR** ESCErr

Value	Description
1	Link interface ESC error detected.

**Bit 1 - PARERR** ParErr

Value	Description
1	Link interface parity error detected.

**Bit 0 - DISERR** DisErr

Value	Description
1	Link interface disconnection error detected.

### 36.8.8 SpW Link x Interrupt Mask

**Name:** SPW\_LINKx\_IM  
**Offset:** 0x0410 + (x-1)\*0x80 [x=1..2]  
**Reset:** 0x00000000  
**Property:** Read/Write

Bit	31	30	29	28	27	26	25	24
Access								
Reset								
Bit	23	22	21	20	19	18	17	16
Access								
Reset								
Bit	15	14	13	12	11	10	9	8
Access							ESCEVENT1	ESCEVENT2
Reset							R/W 0	R/W 0
Bit	7	6	5	4	3	2	1	0
Access	DISCARD	EEPREC	EEPTRANS	LINKABORT	CRERR	ESCERR	PARERR	DISERR
Reset	R/W 0	R/W 0	R/W 0	R/W 0	R/W 0	R/W 0	R/W 0	R/W 0

#### Bit 9 - ESCEVENT1 Escape Event 1

Value	Description
1	Incoming Escape Character matched SPW_LINKx_ESCCHAREVENT1.

#### Bit 8 - ESCEVENT2 Escape Event 2

Value	Description
1	Incoming Escape Character matched SPW_LINKx_ESCCHAREVENT2.

#### Bit 7 - DISCARD Discard

Value	Description
1	Transmit packet discarded.

#### Bit 6 - EEPREC EEP Received

Value	Description
1	EEP received

#### Bit 5 - EEPTRANS EEP Transmitted

Value	Description
1	EEP transmitted. If the link is not running it might not have been transmitted on the link, just passed the interface to the codec.

#### Bit 4 - LINKABORT LinkAbort

Value	Description
1	SPW_LINKx_STATUS.LINKSTATE has made a transition from Run to Error Reset.

#### Bit 3 - CRERR CrErr

Value	Description
1	Link interface credit error detected.

**Bit 2 - ESCERR** ESCErr

Value	Description
1	Link interface ESC error detected.

**Bit 1 - PARERR** ParErr

Value	Description
1	Link interface parity error detected.

**Bit 0 - DISERR** DisErr

Value	Description
1	Link interface disconnection error detected.

### 36.8.9 SpW Link x Clear Pending Interrupt

**Name:** SPW\_LINKx\_PI\_C  
**Offset:** 0x0414 + (x-1)\*0x80 [x=1..2]  
**Reset:** 0x00000000  
**Property:** Write-only

Bit	31	30	29	28	27	26	25	24
Access								
Reset								
Bit	23	22	21	20	19	18	17	16
Access								
Reset								
Bit	15	14	13	12	11	10	9	8
Access							ESCEVENT1	ESCEVENT2
Reset							W	W
							0	0
Bit	7	6	5	4	3	2	1	0
Access	DISCARD	EEPREC	EEPTRANS	LINKABORT	CRERR	ESCERR	PARERR	DISERR
Reset	W	W	W	W	W	W	W	W
	0	0	0	0	0	0	0	0

#### Bit 9 - ESCEVENT1 Escape Event 1

Value	Description
1	Incoming Escape Character matched SPW_LINKx_ESCCHAREVENT1.

#### Bit 8 - ESCEVENT2 Escape Event 2

Value	Description
1	Incoming Escape Character matched SPW_LINKx_ESCCHAREVENT2.

#### Bit 7 - DISCARD Discard

Value	Description
1	Transmit packet discarded.

#### Bit 6 - EEPREC EEP Received

Value	Description
1	EEP received.

#### Bit 5 - EEPTRANS EEP Transmitted

Value	Description
1	EEP transmitted. If the link is not running it might not have been transmitted on the link, just passed the interface to the codec.

#### Bit 4 - LINKABORT LinkAbort

Value	Description
1	SPW_LINKx_STATUS.LINKSTATE has made a transition from Run to Error Reset.

#### Bit 3 - CRERR CrErr

Value	Description
1	Link interface credit error detected.

**Bit 2 - ESCERR** ESCErr

Value	Description
1	Link interface ESC error detected.

**Bit 1 - PARERR** ParErr

Value	Description
1	Link interface parity error detected.

**Bit 0 - DISERR** DisErr

Value	Description
1	Link interface disconnection error detected.

### 36.8.10 SpW Link x Interrupt Set Mask

**Name:** SPW\_LINKx\_IM\_S  
**Offset:** 0x0418 + (x-1)\*0x80 [x=1..2]  
**Reset:** 0x00000000  
**Property:** Write-only

Bit	31	30	29	28	27	26	25	24
Access								
Reset								
Bit	23	22	21	20	19	18	17	16
Access								
Reset								
Bit	15	14	13	12	11	10	9	8
Access							ESCEVENT1	ESCEVENT2
Reset							W	W
							0	0
Bit	7	6	5	4	3	2	1	0
Access	DISCARD	EEPREC	EEPTRANS	LINKABORT	CRERR	ESCERR	PARERR	DISERR
Reset	W	W	W	W	W	W	W	W
	0	0	0	0	0	0	0	0

#### Bit 9 - ESCEVENT1 Escape Event 1

Value	Description
1	Incoming Escape Character matched SPW_LINKx_ESCCHAREVENT1.

#### Bit 8 - ESCEVENT2 Escape Event 2

Value	Description
1	Incoming Escape Character matched SPW_LINKx_ESCCHAREVENT2.

#### Bit 7 - DISCARD Discard

Value	Description
1	Transmit packet discarded.

#### Bit 6 - EEPREC EEP Received

Value	Description
1	EEP received.

#### Bit 5 - EEPTRANS EEP Transmitted

Value	Description
1	EEP transmitted. If the link is not running it might not have been transmitted on the link, just passed the interface to the codec.

#### Bit 4 - LINKABORT LinkAbort

Value	Description
1	SPW_LINKx_STATUS.LINKSTATE has made a transition from Run to Error Reset.

#### Bit 3 - CRERR CrErr

Value	Description
1	Link interface credit error detected.

**Bit 2 - ESCERR** ESCErr

Value	Description
1	Link interface ESC error detected.

**Bit 1 - PARERR** ParErr

Value	Description
1	Link interface parity error detected.

**Bit 0 - DISERR** DisErr

Value	Description
1	Link interface disconnection error detected.

### 36.8.11 SpW Link x Interrupt Clear Mask

**Name:** SPW\_LINKx\_IM\_C  
**Offset:** 0x041C + (x-1)\*0x80 [x=1..2]  
**Reset:** 0x00000000  
**Property:** Write-only

Bit	31	30	29	28	27	26	25	24
Access								
Reset								
Bit	23	22	21	20	19	18	17	16
Access								
Reset								
Bit	15	14	13	12	11	10	9	8
Access							ESCEVENT1	ESCEVENT2
Reset							W	W
							0	0
Bit	7	6	5	4	3	2	1	0
Access	DISCARD	EEPREC	EEPTRANS	LINKABORT	CRERR	ESCERR	PARERR	DISERR
Reset	W	W	W	W	W	W	W	W
	0	0	0	0	0	0	0	0

#### Bit 9 - ESCEVENT1 Escape Event 1

Value	Description
1	Incoming Escape Character matched SPW_LINKx_ESCCHAREVENT1.

#### Bit 8 - ESCEVENT2 Escape Event 2

Value	Description
1	Incoming Escape Character matched SPW_LINKx_ESCCHAREVENT2.

#### Bit 7 - DISCARD Discard

Value	Description
1	Transmit packet discarded.

#### Bit 6 - EEPREC EEP Received

Value	Description
1	EEP received.

#### Bit 5 - EEPTRANS EEP Transmitted

Value	Description
1	EEP transmitted. If the link is not running it might not have been transmitted on the link, just passed the interface to the codec.

#### Bit 4 - LINKABORT LinkAbort

Value	Description
1	SPW_LINKx_STATUS.LINKSTATE has made a transition from Run to Error Reset.

#### Bit 3 - CRERR CrErr

Value	Description
1	Link interface credit error detected.



**Bit 2 - ESCERR** ESCErr

Value	Description
1	Link interface ESC error detected.

**Bit 1 - PARERR** ParErr

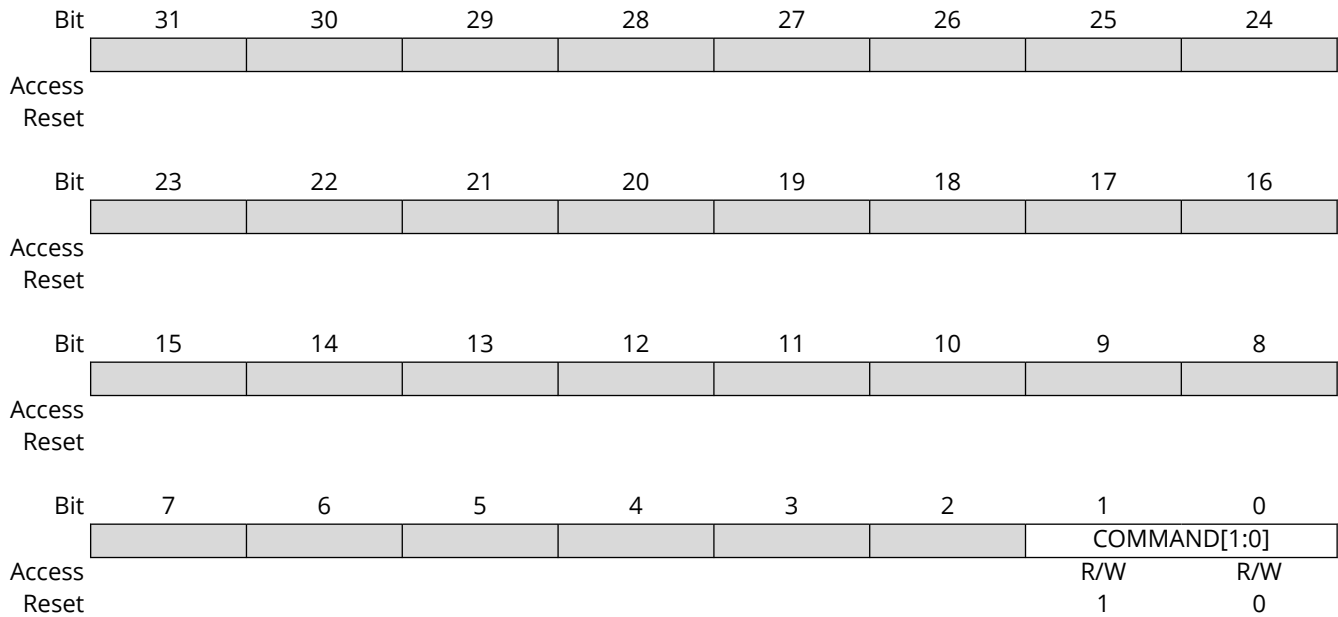
Value	Description
1	Link interface parity error detected.

**Bit 0 - DISERR** DisErr

Value	Description
1	Link interface disconnection error detected.

### 36.8.12 SpW Link x Config

**Name:** SPW\_LINKx\_CFG  
**Offset:** 0x0420 + (x-1)\*0x80 [x=1..2]  
**Reset:** 0x00000002  
**Property:** Read/Write

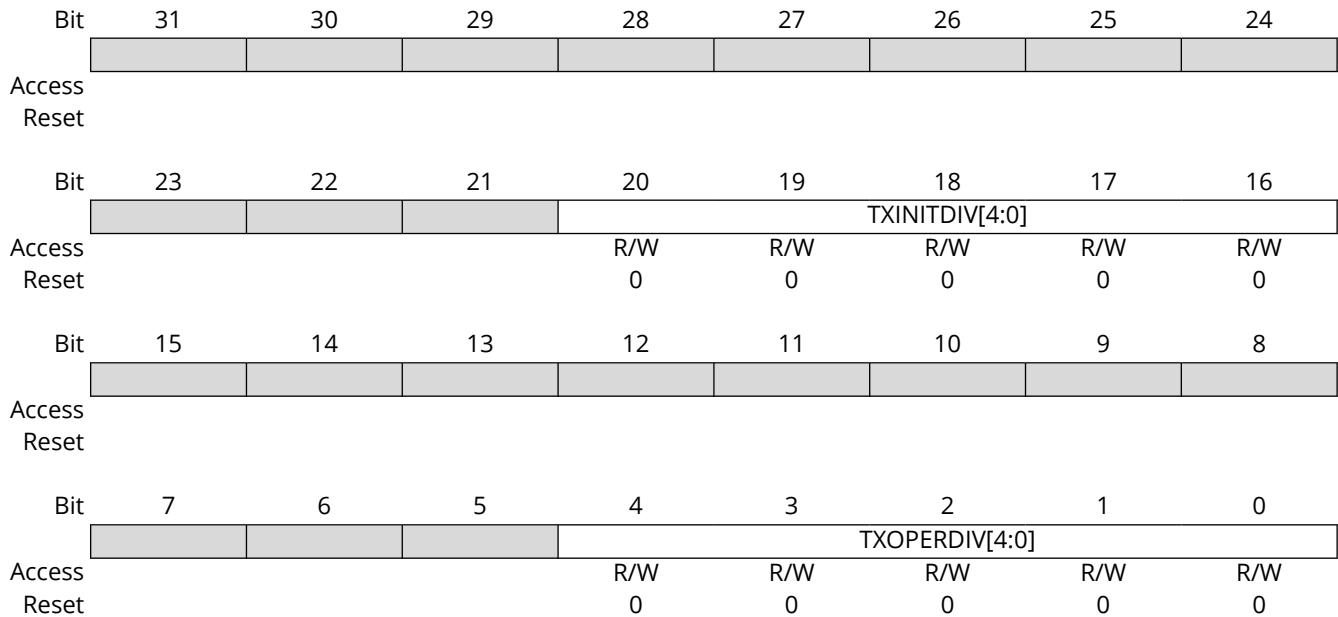


#### Bits 1:0 – COMMAND[1:0] Command

Value	Name	Description
0	Link Disable	The link proceeds directly to the ErrorReset state when reaching the Run state.
1	No command	State is not actively changed.
2	Auto Start	The Codec waits in state Ready until the first NULL character is received.
3	Link Start	SpaceWire link can proceed to Started state.

### 36.8.13 SpW Link x Clock Division

**Name:** SPW\_LINKx\_CLKDIV  
**Offset:** 0x0424 + (x-1)\*0x80 [x=1..2]  
**Reset:** 0x00000000  
**Property:** Read/Write



**Bits 20:16 – TXINITDIV[4:0]** TxInitDiv

The initial transmitter signalling bitrate is  $SpwClk / (0.5 \times (TxInitDiv + 1))$ .

**Bits 4:0 – TXOPERDIV[4:0]** TxOperDiv

The operating transmitter signalling bitrate is  $SpwClk / (0.5 \times (TxOperDiv + 1))$   
(Double Data Rate).

### 36.8.14 SpW Link x Status

**Name:** SPW\_LINKx\_STATUS  
**Offset:** 0x0428 + (x-1)\*0x80 [x=1..2]  
**Reset:** 0x00110000  
**Property:** Read-only

Bit	31	30	29	28	27	26	25	24
							SEEN5	SEEN4
Access							R	R
Reset							0	0
Bit	23	22	21	20	19	18	17	16
	SEEN3	SEEN2	SEEN1	SEEN0	GOTNCHAR	GOTFCT	GOTNULL	TXEMPTY
Access	R	R	R	R	R	R	R	R
Reset	0	0	0	1	0	0	0	1
Bit	15	14	13	12	11	10	9	8
								TXDEFDIV[4]
Access								R
Reset								0
Bit	7	6	5	4	3	2	1	0
	TXDEFDIV[3:0]					LINKSTATE[2:0]		
Access	R	R	R	R		R	R	R
Reset	0	0	0	0		0	0	0

#### Bit 25 – SEEN5 SEEN5

Value	Description
1	State Run seen.

#### Bit 24 – SEEN4 SEEN4

Value	Description
1	State Connecting seen.

#### Bit 23 – SEEN3 SEEN3

Value	Description
1	State Started seen.

#### Bit 22 – SEEN2 SEEN2

Value	Description
1	State Ready seen.

#### Bit 21 – SEEN1 SEEN1

Value	Description
1	State ErrorWait seen.

#### Bit 20 – SEEN0 SEEN0

Value	Description
1	State ErrorReset seen.

#### Bit 19 – GOTNCHAR GotNChar

Value	Description
1	Receiver got N-chars.

**Bit 18 – GOTFCT** GotFCT

Value	Description
1	Receiver got FCT.

**Bit 17 – GOTNULL** GotNull

Value	Description
1	Receiver got NULL.

**Bit 16 – TXEMPTY** TxEmpty

Value	Description
0	The transmit buffer is not empty.
1	The transmit buffer is empty.

**Bits 8:4 – TXDEFDIV[4:0]** TxDefDiv

The strapped reset value for transmitter bitrates.

**Bits 2:0 – LINKSTATE[2:0]** LinkState

Value	Name	Description
0	ERRORRESET	CODEC link state machine in ErrorReset state
1	ERRORWAIT	CODEC link state machine in ErrorWait state
2	READY	CODEC link state machine in Ready state
3	STARTED	CODEC link state machine in Started state
4	CONNECTING	CODEC link state machine in Connecting state
5	RUN	CODEC link state machine in Run state

### 36.8.15 SpW Link x Software Reset

**Name:** SPW\_LINKx\_SWRESET  
**Offset:** 0x042C + (x-1)\*0x80 [x=1..2]  
**Reset:** 0x00000000  
**Property:** Read/Write

Bit	31	30	29	28	27	26	25	24
	PATTERN[31:24]							
Access	R/W	R/W	R/W	R/W	R/W	R/W	R/W	R/W
Reset	0	0	0	0	0	0	0	0
Bit	23	22	21	20	19	18	17	16
	PATTERN[23:16]							
Access	R/W	R/W	R/W	R/W	R/W	R/W	R/W	R/W
Reset	0	0	0	0	0	0	0	0
Bit	15	14	13	12	11	10	9	8
	PATTERN[15:8]							
Access	R/W	R/W	R/W	R/W	R/W	R/W	R/W	R/W
Reset	0	0	0	0	0	0	0	0
Bit	7	6	5	4	3	2	1	0
	PATTERN[7:0]							
Access	R/W	R/W	R/W	R/W	R/W	R/W	R/W	R/W
Reset	0	0	0	0	0	0	0	0

#### Bits 31:0 – PATTERN[31:0] Pattern

Value	Description
4D61_6A6F	Arm reset
7254_6F6D	Trigger reset, if armed.
Others	Clear Arm

### 36.8.16 SpW Link x Escape Character Event 1

**Name:** SPW\_LINKx\_ESCCHAREVENT1  
**Offset:** 0x0430 + (x-1)\*0x80 [x=1..2]  
**Reset:** 0x00000000  
**Property:** Read/Write

Bit	31	30	29	28	27	26	25	24
Access								
Reset								
Bit	23	22	21	20	19	18	17	16
Access							HWEVENT	ACTIVE
Reset							0	0
Bit	15	14	13	12	11	10	9	8
Access	MASK[7:0]							
Reset	0	0	0	0	0	0	0	0
Bit	7	6	5	4	3	2	1	0
Access	VALUE[7:0]							
Reset	0	0	0	0	0	0	0	0

**Bit 17 – HWEVENT** HwEvent  
Not used

**Bit 16 – ACTIVE** Active

Value	Description
1	Event is active.

**Bits 15:8 – MASK[7:0]** Mask  
Bits of new Time Code to check.

**Bits 7:0 – VALUE[7:0]** Value  
Value used to check the incoming Esc Char.

### 36.8.17 SpW Link x Escape Character Event 2

**Name:** SPW\_LINKx\_ESCCHAREVENT2  
**Offset:** 0x0434 + (x-1)\*0x80 [x=1..2]  
**Reset:** 0x00000000  
**Property:** Read/Write

Bit	31	30	29	28	27	26	25	24
Access								
Reset								
Bit	23	22	21	20	19	18	17	16
Access							HWEVENT	ACTIVE
Reset							0	0
Bit	15	14	13	12	11	10	9	8
Access	MASK[7:0]							
Reset	0	0	0	0	0	0	0	0
Bit	7	6	5	4	3	2	1	0
Access	VALUE[7:0]							
Reset	0	0	0	0	0	0	0	0

**Bit 17 – HWEVENT** HwEvent  
Not used

**Bit 16 – ACTIVE** Active

Value	Description
1	Event is active.

**Bits 15:8 – MASK[7:0]** Mask  
Bits of new Time Code to check.

**Bits 7:0 – VALUE[7:0]** Value  
Value used to check incoming Esc Char.



### 36.8.18 SpW Link x Escape Character Status

**Name:** SPW\_LINKx\_ESCCHARSTS  
**Offset:** 0x0438 + (x-1)\*0x80 [x=1..2]  
**Reset:** 0x00000000  
**Property:** Read-only

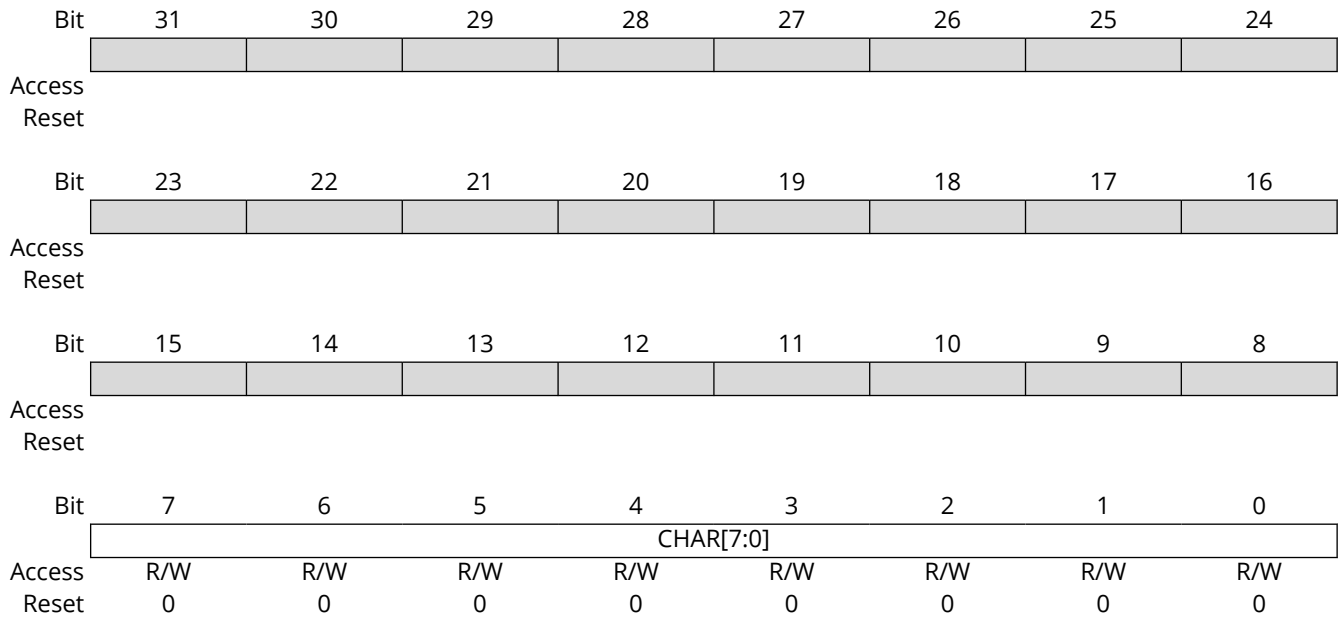
Bit	31	30	29	28	27	26	25	24
Access								
Reset								
Bit	23	22	21	20	19	18	17	16
Access								
Reset								
Bit	15	14	13	12	11	10	9	8
Access	CHAR2[7:0]							
Reset	R	R	R	R	R	R	R	R
Reset	0	0	0	0	0	0	0	0
Bit	7	6	5	4	3	2	1	0
Access	CHAR1[7:0]							
Reset	R	R	R	R	R	R	R	R
Reset	0	0	0	0	0	0	0	0

**Bits 15:8 - CHAR2[7:0]** Esc Char 2  
 Latest Received Escape Character matching Event 2.

**Bits 7:0 - CHAR1[7:0]** Esc Char 1  
 Latest Received Escape Character matching Event 1.

### 36.8.19 SpW Link x Transmit Escape Character

**Name:** SPW\_LINKx\_TRANSESC  
**Offset:** 0x043C + (x-1)\*0x80 [x=1..2]  
**Reset:** 0x00000000  
**Property:** Read/Write



**Bits 7:0 - CHAR[7:0]** Character  
Escape Character to transmit.

### 36.8.20 SpW Link x Distributed Interrupt Pending Read Masked Interrupt

**Name:** SPW\_LINKx\_DISTINTPI\_RM  
**Offset:** 0x0440 + (x-1)\*0x80 [x=1..2]  
**Reset:** 0x00000000  
**Property:** Read-only

Bit	31	30	29	28	27	26	25	24
	DI31	DI30	DI29	DI28	DI27	DI26	DI25	DI24
Access	R	R	R	R	R	R	R	R
Reset	0	0	0	0	0	0	0	0
Bit	23	22	21	20	19	18	17	16
	DI23	DI22	DI21	DI20	DI19	DI18	DI17	DI16
Access	R	R	R	R	R	R	R	R
Reset	0	0	0	0	0	0	0	0
Bit	15	14	13	12	11	10	9	8
	DI15	DI14	DI13	DI12	DI11	DI10	DI9	DI8
Access	R	R	R	R	R	R	R	R
Reset	0	0	0	0	0	0	0	0
Bit	7	6	5	4	3	2	1	0
	DI7	DI6	DI5	DI4	DI3	DI2	DI1	DI0
Access	R	R	R	R	R	R	R	R
Reset	0	0	0	0	0	0	0	0

**Bits 0, 1, 2, 3, 4, 5, 6, 7, 8, 9, 10, 11, 12, 13, 14, 15, 16, 17, 18, 19, 20, 21, 22, 23, 24, 25, 26, 27, 28, 29, 30, 31 - DIx Distributed Interrupt x**

Value	Description
1	Distributed Interrupt received.

### 36.8.21 SpW Link x Distributed Interrupt Pending Read and Clear Masked Interrupt

**Name:** SPW\_LINKx\_DISTINTPI\_RCM  
**Offset:** 0x0444 + (x-1)\*0x80 [x=1..2]  
**Reset:** 0x00000000  
**Property:** Read-only

Bit	31	30	29	28	27	26	25	24
	DI31	DI30	DI29	DI28	DI27	DI26	DI25	DI24
Access	R	R	R	R	R	R	R	R
Reset	0	0	0	0	0	0	0	0
Bit	23	22	21	20	19	18	17	16
	DI23	DI22	DI21	DI20	DI19	DI18	DI17	DI16
Access	R	R	R	R	R	R	R	R
Reset	0	0	0	0	0	0	0	0
Bit	15	14	13	12	11	10	9	8
	DI15	DI14	DI13	DI12	DI11	DI10	DI9	DI8
Access	R	R	R	R	R	R	R	R
Reset	0	0	0	0	0	0	0	0
Bit	7	6	5	4	3	2	1	0
	DI7	DI6	DI5	DI4	DI3	DI2	DI1	DI0
Access	R	R	R	R	R	R	R	R
Reset	0	0	0	0	0	0	0	0

**Bits 0, 1, 2, 3, 4, 5, 6, 7, 8, 9, 10, 11, 12, 13, 14, 15, 16, 17, 18, 19, 20, 21, 22, 23, 24, 25, 26, 27, 28, 29, 30, 31 - DIx Distributed Interrupt x**

Value	Description
1	Distributed Interrupt received

### 36.8.22 SpW Link x Distributed Interrupt Pending Read Interrupt

**Name:** SPW\_LINKx\_DISTINTPI\_R  
**Offset:** 0x0448 + (x-1)\*0x80 [x=1..2]  
**Reset:** 0x00000000  
**Property:** Read-only

Bit	31	30	29	28	27	26	25	24
	DI31	DI30	DI29	DI28	DI27	DI26	DI25	DI24
Access	R	R	R	R	R	R	R	R
Reset	0	0	0	0	0	0	0	0
Bit	23	22	21	20	19	18	17	16
	DI23	DI22	DI21	DI20	DI19	DI18	DI17	DI16
Access	R	R	R	R	R	R	R	R
Reset	0	0	0	0	0	0	0	0
Bit	15	14	13	12	11	10	9	8
	DI15	DI14	DI13	DI12	DI11	DI10	DI9	DI8
Access	R	R	R	R	R	R	R	R
Reset	0	0	0	0	0	0	0	0
Bit	7	6	5	4	3	2	1	0
	DI7	DI6	DI5	DI4	DI3	DI2	DI1	DI0
Access	R	R	R	R	R	R	R	R
Reset	0	0	0	0	0	0	0	0

**Bits 0, 1, 2, 3, 4, 5, 6, 7, 8, 9, 10, 11, 12, 13, 14, 15, 16, 17, 18, 19, 20, 21, 22, 23, 24, 25, 26, 27, 28, 29, 30, 31 - DIx Distributed Interrupt x**

Value	Description
1	Distributed Interrupt received

### 36.8.23 SpW Link x Distributed Interrupt Pending Read and Clear Interrupt

**Name:** SPW\_LINKx\_DISTINTPI\_RCS  
**Offset:** 0x044C + (x-1)\*0x80 [x=1..2]  
**Reset:** 0x00000000  
**Property:** Read/Write

Bit	31	30	29	28	27	26	25	24
	DI31	DI30	DI29	DI28	DI27	DI26	DI25	DI24
Access	R/W	R/W	R/W	R/W	R/W	R/W	R/W	R/W
Reset	0	0	0	0	0	0	0	0
Bit	23	22	21	20	19	18	17	16
	DI23	DI22	DI21	DI20	DI19	DI18	DI17	DI16
Access	R/W	R/W	R/W	R/W	R/W	R/W	R/W	R/W
Reset	0	0	0	0	0	0	0	0
Bit	15	14	13	12	11	10	9	8
	DI15	DI14	DI13	DI12	DI11	DI10	DI9	DI8
Access	R/W	R/W	R/W	R/W	R/W	R/W	R/W	R/W
Reset	0	0	0	0	0	0	0	0
Bit	7	6	5	4	3	2	1	0
	DI7	DI6	DI5	DI4	DI3	DI2	DI1	DI0
Access	R/W	R/W	R/W	R/W	R/W	R/W	R/W	R/W
Reset	0	0	0	0	0	0	0	0

**Bits 0, 1, 2, 3, 4, 5, 6, 7, 8, 9, 10, 11, 12, 13, 14, 15, 16, 17, 18, 19, 20, 21, 22, 23, 24, 25, 26, 27, 28, 29, 30, 31 - DIx Distributed Interrupt x**

Value	Description
1	Distributed Interrupt received

### 36.8.24 SpW Link x Distributed Interrupt Mask

**Name:** SPW\_LINKx\_DISTINTIM  
**Offset:** 0x0450 + (x-1)\*0x80 [x=1..2]  
**Reset:** 0x00000000  
**Property:** Read/Write

Bit	31	30	29	28	27	26	25	24
	DI31	DI30	DI29	DI28	DI27	DI26	DI25	DI24
Access	R/W	R/W	R/W	R/W	R/W	R/W	R/W	R/W
Reset	0	0	0	0	0	0	0	0
Bit	23	22	21	20	19	18	17	16
	DI23	DI22	DI21	DI20	DI19	DI18	DI17	DI16
Access	R/W	R/W	R/W	R/W	R/W	R/W	R/W	R/W
Reset	0	0	0	0	0	0	0	0
Bit	15	14	13	12	11	10	9	8
	DI15	DI14	DI13	DI12	DI11	DI10	DI9	DI8
Access	R/W	R/W	R/W	R/W	R/W	R/W	R/W	R/W
Reset	0	0	0	0	0	0	0	0
Bit	7	6	5	4	3	2	1	0
	DI7	DI6	DI5	DI4	DI3	DI2	DI1	DI0
Access	R/W	R/W	R/W	R/W	R/W	R/W	R/W	R/W
Reset	0	0	0	0	0	0	0	0

**Bits 0, 1, 2, 3, 4, 5, 6, 7, 8, 9, 10, 11, 12, 13, 14, 15, 16, 17, 18, 19, 20, 21, 22, 23, 24, 25, 26, 27, 28, 29, 30, 31 - DIx Distributed Interrupt Mask x**

Value	Description
1	Distributed Interrupt received mask

### 36.8.25 SpW Link x Distributed Interrupt Clear Pending Interrupt

**Name:** SPW\_LINKx\_DISTINTPI\_C  
**Offset:** 0x0454 + (x-1)\*0x80 [x=1..2]  
**Reset:** 0x00000000  
**Property:** Write-only

Bit	31	30	29	28	27	26	25	24
	DI31	DI30	DI29	DI28	DI27	DI26	DI25	DI24
Access	W	W	W	W	W	W	W	W
Reset	0	0	0	0	0	0	0	0
Bit	23	22	21	20	19	18	17	16
	DI23	DI22	DI21	DI20	DI19	DI18	DI17	DI16
Access	W	W	W	W	W	W	W	W
Reset	0	0	0	0	0	0	0	0
Bit	15	14	13	12	11	10	9	8
	DI15	DI14	DI13	DI12	DI11	DI10	DI9	DI8
Access	W	W	W	W	W	W	W	W
Reset	0	0	0	0	0	0	0	0
Bit	7	6	5	4	3	2	1	0
	DI7	DI6	DI5	DI4	DI3	DI2	DI1	DI0
Access	W	W	W	W	W	W	W	W
Reset	0	0	0	0	0	0	0	0

**Bits 0, 1, 2, 3, 4, 5, 6, 7, 8, 9, 10, 11, 12, 13, 14, 15, 16, 17, 18, 19, 20, 21, 22, 23, 24, 25, 26, 27, 28, 29, 30, 31 - DIx Distributed Interrupt x**

Value	Description
1	Distributed Interrupt received



### 36.8.26 SpW Link x Distributed Set Interrupt Mask

**Name:** SPW\_LINKx\_DISTINTIM\_S  
**Offset:** 0x0458 + (x-1)\*0x80 [x=1..2]  
**Reset:** 0x00000000  
**Property:** Write-only

Bit	31	30	29	28	27	26	25	24
	DI31	DI30	DI29	DI28	DI27	DI26	DI25	DI24
Access	W	W	W	W	W	W	W	W
Reset	0	0	0	0	0	0	0	0
Bit	23	22	21	20	19	18	17	16
	DI23	DI22	DI21	DI20	DI19	DI18	DI17	DI16
Access	W	W	W	W	W	W	W	W
Reset	0	0	0	0	0	0	0	0
Bit	15	14	13	12	11	10	9	8
	DI15	DI14	DI13	DI12	DI11	DI10	DI9	DI8
Access	W	W	W	W	W	W	W	W
Reset	0	0	0	0	0	0	0	0
Bit	7	6	5	4	3	2	1	0
	DI7	DI6	DI5	DI4	DI3	DI2	DI1	DI0
Access	W	W	W	W	W	W	W	W
Reset	0	0	0	0	0	0	0	0

**Bits 0, 1, 2, 3, 4, 5, 6, 7, 8, 9, 10, 11, 12, 13, 14, 15, 16, 17, 18, 19, 20, 21, 22, 23, 24, 25, 26, 27, 28, 29, 30, 31 - DIx Distributed Interrupt x**

Value	Description
1	Distributed Interrupt received mask.

### 36.8.27 SpW Link x Distributed Clear Interrupt Mask

**Name:** SPW\_LINKx\_DISTINTIM\_C  
**Offset:** 0x045C + (x-1)\*0x80 [x=1..2]  
**Reset:** 0x00000000  
**Property:** Write-only

Bit	31	30	29	28	27	26	25	24
	DI31	DI30	DI29	DI28	DI27	DI26	DI25	DI24
Access	W	W	W	W	W	W	W	W
Reset	0	0	0	0	0	0	0	0
Bit	23	22	21	20	19	18	17	16
	DI23	DI22	DI21	DI20	DI19	DI18	DI17	DI16
Access	W	W	W	W	W	W	W	W
Reset	0	0	0	0	0	0	0	0
Bit	15	14	13	12	11	10	9	8
	DI15	DI14	DI13	DI12	DI11	DI10	DI9	DI8
Access	W	W	W	W	W	W	W	W
Reset	0	0	0	0	0	0	0	0
Bit	7	6	5	4	3	2	1	0
	DI7	DI6	DI5	DI4	DI3	DI2	DI1	DI0
Access	W	W	W	W	W	W	W	W
Reset	0	0	0	0	0	0	0	0

**Bits 0, 1, 2, 3, 4, 5, 6, 7, 8, 9, 10, 11, 12, 13, 14, 15, 16, 17, 18, 19, 20, 21, 22, 23, 24, 25, 26, 27, 28, 29, 30, 31 - DIx Distributed Interrupt Mask x**

Value	Description
1	Distributed Interrupt received mask.

### 36.8.28 SpW Link x Distributed Interrupt Acknowledge Pending Read Masked Interrupt

**Name:** SPW\_LINKx\_DISTACKPI\_RM  
**Offset:** 0x0460 + (x-1)\*0x80 [x=1..2]  
**Reset:** 0x00000000  
**Property:** Read-only

Bit	31	30	29	28	27	26	25	24
	DA31	DA30	DA29	DA28	DA27	DA26	DA25	DA24
Access	R	R	R	R	R	R	R	R
Reset	0	0	0	0	0	0	0	0
Bit	23	22	21	20	19	18	17	16
	DA23	DA22	DA21	DA20	DA19	DA18	DA17	DA16
Access	R	R	R	R	R	R	R	R
Reset	0	0	0	0	0	0	0	0
Bit	15	14	13	12	11	10	9	8
	DA15	DA14	DA13	DA12	DA11	DA10	DA9	DA8
Access	R	R	R	R	R	R	R	R
Reset	0	0	0	0	0	0	0	0
Bit	7	6	5	4	3	2	1	0
	DA7	DA6	DA5	DA4	DA3	DA2	DA1	DA0
Access	R	R	R	R	R	R	R	R
Reset	0	0	0	0	0	0	0	0

**Bits 0, 1, 2, 3, 4, 5, 6, 7, 8, 9, 10, 11, 12, 13, 14, 15, 16, 17, 18, 19, 20, 21, 22, 23, 24, 25, 26, 27, 28, 29, 30, 31 - DAx Distributed Acknowledge x**

Value	Description
1	Distributed Acknowledge received.

### 36.8.29 SpW Link x Distributed Interrupt Acknowledge Pending Read and Clear Masked Interrupt

**Name:** SPW\_LINKx\_DISTACKPI\_RCM  
**Offset:** 0x0464 + (x-1)\*0x80 [x=1..2]  
**Reset:** 0x00000000  
**Property:** Read-only

Bit	31	30	29	28	27	26	25	24
	DA31	DA30	DA29	DA28	DA27	DA26	DA25	DA24
Access	R	R	R	R	R	R	R	R
Reset	0	0	0	0	0	0	0	0
Bit	23	22	21	20	19	18	17	16
	DA23	DA22	DA21	DA20	DA19	DA18	DA17	DA16
Access	R	R	R	R	R	R	R	R
Reset	0	0	0	0	0	0	0	0
Bit	15	14	13	12	11	10	9	8
	DA15	DA14	DA13	DA12	DA11	DA10	DA9	DA8
Access	R	R	R	R	R	R	R	R
Reset	0	0	0	0	0	0	0	0
Bit	7	6	5	4	3	2	1	0
	DA7	DA6	DA5	DA4	DA3	DA2	DA1	DA0
Access	R	R	R	R	R	R	R	R
Reset	0	0	0	0	0	0	0	0

**Bits 0, 1, 2, 3, 4, 5, 6, 7, 8, 9, 10, 11, 12, 13, 14, 15, 16, 17, 18, 19, 20, 21, 22, 23, 24, 25, 26, 27, 28, 29, 30, 31 - DAx Distributed Acknowledge x**

Value	Description
1	Distributed Acknowledge received.

### 36.8.30 SpW Link x Distributed Interrupt Acknowledge Pending Read Interrupt

**Name:** SPW\_LINKx\_DISTACKPI\_R  
**Offset:** 0x0468 + (x-1)\*0x80 [x=1..2]  
**Reset:** 0x00000000  
**Property:** Read-only

Bit	31	30	29	28	27	26	25	24
	DA31	DA30	DA29	DA28	DA27	DA26	DA25	DA24
Access	R	R	R	R	R	R	R	R
Reset	0	0	0	0	0	0	0	0
Bit	23	22	21	20	19	18	17	16
	DA23	DA22	DA21	DA20	DA19	DA18	DA17	DA16
Access	R	R	R	R	R	R	R	R
Reset	0	0	0	0	0	0	0	0
Bit	15	14	13	12	11	10	9	8
	DA15	DA14	DA13	DA12	DA11	DA10	DA9	DA8
Access	R	R	R	R	R	R	R	R
Reset	0	0	0	0	0	0	0	0
Bit	7	6	5	4	3	2	1	0
	DA7	DA6	DA5	DA4	DA3	DA2	DA1	DA0
Access	R	R	R	R	R	R	R	R
Reset	0	0	0	0	0	0	0	0

**Bits 0, 1, 2, 3, 4, 5, 6, 7, 8, 9, 10, 11, 12, 13, 14, 15, 16, 17, 18, 19, 20, 21, 22, 23, 24, 25, 26, 27, 28, 29, 30, 31 - DAx Distributed Acknowledge x**

Value	Description
1	Distributed Acknowledge received.

### 36.8.31 SpW Link x Distributed Interrupt Acknowledge Pending Read and Clear Interrupt

**Name:** SPW\_LINKx\_DISTACKPI\_RCS  
**Offset:** 0x046C + (x-1)\*0x80 [x=1..2]  
**Reset:** 0x00000000  
**Property:** Read/Write

Bit	31	30	29	28	27	26	25	24
	DA31	DA30	DA29	DA28	DA27	DA26	DA25	DA24
Access	R/W	R/W	R/W	R/W	R/W	R/W	R/W	R/W
Reset	0	0	0	0	0	0	0	0
Bit	23	22	21	20	19	18	17	16
	DA23	DA22	DA21	DA20	DA19	DA18	DA17	DA16
Access	R/W	R/W	R/W	R/W	R/W	R/W	R/W	R/W
Reset	0	0	0	0	0	0	0	0
Bit	15	14	13	12	11	10	9	8
	DA15	DA14	DA13	DA12	DA11	DA10	DA9	DA8
Access	R/W	R/W	R/W	R/W	R/W	R/W	R/W	R/W
Reset	0	0	0	0	0	0	0	0
Bit	7	6	5	4	3	2	1	0
	DA7	DA6	DA5	DA4	DA3	DA2	DA1	DA0
Access	R/W	R/W	R/W	R/W	R/W	R/W	R/W	R/W
Reset	0	0	0	0	0	0	0	0

**Bits 0, 1, 2, 3, 4, 5, 6, 7, 8, 9, 10, 11, 12, 13, 14, 15, 16, 17, 18, 19, 20, 21, 22, 23, 24, 25, 26, 27, 28, 29, 30, 31 - DAx Distributed Acknowledge x**

Value	Description
1	Distributed Acknowledge received.

### 36.8.32 SpW Link x Distributed Interrupt Acknowledge Mask

**Name:** SPW\_LINKx\_DISTACKIM  
**Offset:** 0x0470 + (x-1)\*0x80 [x=1..2]  
**Reset:** 0x00000000  
**Property:** Read/Write

Bit	31	30	29	28	27	26	25	24
	DA31	DA30	DA29	DA28	DA27	DA26	DA25	DA24
Access	R/W	R/W	R/W	R/W	R/W	R/W	R/W	R/W
Reset	0	0	0	0	0	0	0	0
Bit	23	22	21	20	19	18	17	16
	DA23	DA22	DA21	DA20	DA19	DA18	DA17	DA16
Access	R/W	R/W	R/W	R/W	R/W	R/W	R/W	R/W
Reset	0	0	0	0	0	0	0	0
Bit	15	14	13	12	11	10	9	8
	DA15	DA14	DA13	DA12	DA11	DA10	DA9	DA8
Access	R/W	R/W	R/W	R/W	R/W	R/W	R/W	R/W
Reset	0	0	0	0	0	0	0	0
Bit	7	6	5	4	3	2	1	0
	DA7	DA6	DA5	DA4	DA3	DA2	DA1	DA0
Access	R/W	R/W	R/W	R/W	R/W	R/W	R/W	R/W
Reset	0	0	0	0	0	0	0	0

**Bits 0, 1, 2, 3, 4, 5, 6, 7, 8, 9, 10, 11, 12, 13, 14, 15, 16, 17, 18, 19, 20, 21, 22, 23, 24, 25, 26, 27, 28, 29, 30, 31 - DAx Distributed Acknowledge Mask x**

Value	Description
1	Distributed Acknowledge received mask.

### 36.8.33 SpW Link x Distributed Interrupt Acknowledge Clear Pending Interrupt

**Name:** SPW\_LINKx\_DISTACKPI\_C  
**Offset:** 0x0474 + (x-1)\*0x80 [x=1..2]  
**Reset:** 0x00000000  
**Property:** Write-only

Bit	31	30	29	28	27	26	25	24
	DA31	DA30	DA29	DA28	DA27	DA26	DA25	DA24
Access	W	W	W	W	W	W	W	W
Reset	0	0	0	0	0	0	0	0
Bit	23	22	21	20	19	18	17	16
	DA23	DA22	DA21	DA20	DA19	DA18	DA17	DA16
Access	W	W	W	W	W	W	W	W
Reset	0	0	0	0	0	0	0	0
Bit	15	14	13	12	11	10	9	8
	DA15	DA14	DA13	DA12	DA11	DA10	DA9	DA8
Access	W	W	W	W	W	W	W	W
Reset	0	0	0	0	0	0	0	0
Bit	7	6	5	4	3	2	1	0
	DA7	DA6	DA5	DA4	DA3	DA2	DA1	DA0
Access	W	W	W	W	W	W	W	W
Reset	0	0	0	0	0	0	0	0

**Bits 0, 1, 2, 3, 4, 5, 6, 7, 8, 9, 10, 11, 12, 13, 14, 15, 16, 17, 18, 19, 20, 21, 22, 23, 24, 25, 26, 27, 28, 29, 30, 31 - DAx Distributed Acknowledge x**

Value	Description
1	Distributed Acknowledge received.



### 36.8.34 SpW Link x Distributed Interrupt Acknowledge Set Mask

**Name:** SPW\_LINKx\_DISTACKIM\_S  
**Offset:** 0x0478 + (x-1)\*0x80 [x=1..2]  
**Reset:** 0x00000000  
**Property:** Write-only

Bit	31	30	29	28	27	26	25	24
	DA31	DA30	DA29	DA28	DA27	DA26	DA25	DA24
Access	W	W	W	W	W	W	W	W
Reset	0	0	0	0	0	0	0	0
Bit	23	22	21	20	19	18	17	16
	DA23	DA22	DA21	DA20	DA19	DA18	DA17	DA16
Access	W	W	W	W	W	W	W	W
Reset	0	0	0	0	0	0	0	0
Bit	15	14	13	12	11	10	9	8
	DA15	DA14	DA13	DA12	DA11	DA10	DA9	DA8
Access	W	W	W	W	W	W	W	W
Reset	0	0	0	0	0	0	0	0
Bit	7	6	5	4	3	2	1	0
	DA7	DA6	DA5	DA4	DA3	DA2	DA1	DA0
Access	W	W	W	W	W	W	W	W
Reset	0	0	0	0	0	0	0	0

**Bits 0, 1, 2, 3, 4, 5, 6, 7, 8, 9, 10, 11, 12, 13, 14, 15, 16, 17, 18, 19, 20, 21, 22, 23, 24, 25, 26, 27, 28, 29, 30, 31 - DAx Distributed Acknowledge Mask x**

Value	Description
1	Distributed Acknowledge received mask.

### 36.8.35 SpW Link x Distributed Interrupt Acknowledge Clear Mask

**Name:** SPW\_LINKx\_DISTACKIM\_C  
**Offset:** 0x047C + (x-1)\*0x80 [x=1..2]  
**Reset:** 0x00000000  
**Property:** Write-only

Bit	31	30	29	28	27	26	25	24
	DA31	DA30	DA29	DA28	DA27	DA26	DA25	DA24
Access	W	W	W	W	W	W	W	W
Reset	0	0	0	0	0	0	0	0
Bit	23	22	21	20	19	18	17	16
	DA23	DA22	DA21	DA20	DA19	DA18	DA17	DA16
Access	W	W	W	W	W	W	W	W
Reset	0	0	0	0	0	0	0	0
Bit	15	14	13	12	11	10	9	8
	DA15	DA14	DA13	DA12	DA11	DA10	DA9	DA8
Access	W	W	W	W	W	W	W	W
Reset	0	0	0	0	0	0	0	0
Bit	7	6	5	4	3	2	1	0
	DA7	DA6	DA5	DA4	DA3	DA2	DA1	DA0
Access	W	W	W	W	W	W	W	W
Reset	0	0	0	0	0	0	0	0

**Bits 0, 1, 2, 3, 4, 5, 6, 7, 8, 9, 10, 11, 12, 13, 14, 15, 16, 17, 18, 19, 20, 21, 22, 23, 24, 25, 26, 27, 28, 29, 30, 31 - DAx Distributed Acknowledge Mask x**

Value	Description
1	Distributed Acknowledge received mask.

### 36.8.36 SpW PktRx 1 Pending Read Masked Interrupt

**Name:** SPW\_PKTRX1\_PI\_RM  
**Offset:** 0x0800  
**Reset:** 0x00000000  
**Property:** Read-only

Bit	31	30	29	28	27	26	25	24
Access								
Reset								
Bit	23	22	21	20	19	18	17	16
Access								
Reset								
Bit	15	14	13	12	11	10	9	8
Access								
Reset								
Bit	7	6	5	4	3	2	1	0
Access				ACT	DISCARD	EEP	EOP	DEACT
Reset				R	R	R	R	R
				0	0	0	0	0

#### Bit 4 - ACT Activated

**Note:** The content of the register is automatically ANDed with the corresponding masked register to obtain the masked information directly.

Value	Description
1	Received buffer activated.

#### Bit 3 - DISCARD Packet Discard

Value	Description
1	An incoming packet was discarded.

#### Bit 2 - EEP EEP Seen

Value	Description
1	An incoming EEP detected.

#### Bit 1 - EOP EOP Seen

Value	Description
1	An incoming EOP detected.

#### Bit 0 - DEACT Deactivated

Value	Description
1	Received buffer deactivated.

### 36.8.37 SpW PktRx 1 Pending Read Interrupt

**Name:** SPW\_PKTRX1\_PI\_R  
**Offset:** 0x0808  
**Reset:** 0x00000000  
**Property:** Read-only

Bit	31	30	29	28	27	26	25	24
Access								
Reset								
Bit	23	22	21	20	19	18	17	16
Access								
Reset								
Bit	15	14	13	12	11	10	9	8
Access								
Reset								
Bit	7	6	5	4	3	2	1	0
Access				ACT	DISCARD	EEP	EOP	DEACT
Reset				R/W	R/W	R/W	R/W	R/W
				0	0	0	0	0

#### Bit 4 - ACT Activated

Value	Description
1	Received buffer activated.

#### Bit 3 - DISCARD Packet Discard

Value	Description
1	An incoming packet was discarded.

#### Bit 2 - EEP EEP seen

Value	Description
1	An incoming EEP detected.

#### Bit 1 - EOP EOP seen

Value	Description
1	An incoming EOP detected.

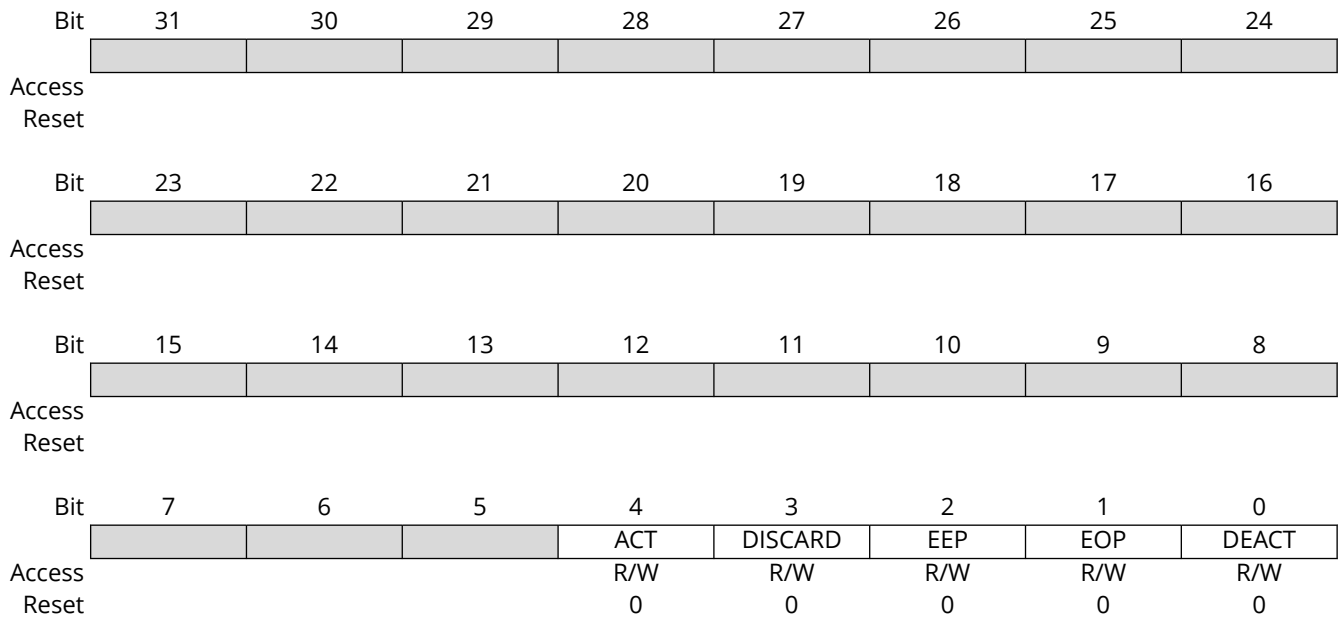
#### Bit 0 - DEACT Deactivated

Value	Description
1	Received buffer deactivated.

### 36.8.38 SpW PkTRx 1 Pending Read and Clear Interrupt

**Name:** SPW\_PKTRX1\_PI\_RCS  
**Offset:** 0x080C  
**Reset:** 0x00000000  
**Property:** Read/Write

**Note:** This register is cleared on read.



#### Bit 4 - ACT Activated

Value	Description
1	Received buffer activated.

#### Bit 3 - DISCARD Packet Discard

Value	Description
1	An incoming packet was discarded.

#### Bit 2 - EEP EEP seen

Value	Description
1	An incoming EEP detected.

#### Bit 1 - EOP EOP seen

Value	Description
1	An incoming EOP detected.

#### Bit 0 - DEACT Deactivated

Value	Description
1	Received buffer deactivated.

### 36.8.39 SpW PktRx 1 Interrupt Mask

**Name:** SPW\_PKTRX1\_IM  
**Offset:** 0x0810  
**Reset:** 0x00000000  
**Property:** Read/Write

Bit	31	30	29	28	27	26	25	24
Access								
Reset								
Bit	23	22	21	20	19	18	17	16
Access								
Reset								
Bit	15	14	13	12	11	10	9	8
Access								
Reset								
Bit	7	6	5	4	3	2	1	0
Access				ACT	DISCARD	EEP	EOP	DEACT
Reset				R/W	R/W	R/W	R/W	R/W
				0	0	0	0	0

#### Bit 4 - ACT Activated

Value	Description
1	Received buffer activated.

#### Bit 3 - DISCARD Packet Discard

Value	Description
1	An incoming packet was discarded.

#### Bit 2 - EEP EEP seen

Value	Description
1	An incoming EEP detected.

#### Bit 1 - EOP EOP seen

Value	Description
1	An incoming EOP detected.

#### Bit 0 - DEACT Deactivated

Value	Description
1	Received buffer deactivated.

### 36.8.40 SpW PktRx 1 Clear Pending Interrupt

**Name:** SPW\_PKTRX1\_PI\_C  
**Offset:** 0x0814  
**Reset:** 0x00000000  
**Property:** Write-only

Bit	31	30	29	28	27	26	25	24
Access								
Reset								
Bit	23	22	21	20	19	18	17	16
Access								
Reset								
Bit	15	14	13	12	11	10	9	8
Access								
Reset								
Bit	7	6	5	4	3	2	1	0
Access				ACT	DISCARD	EEP	EOP	DEACT
Reset				W	W	W	W	W
				0	0	0	0	0

#### Bit 4 - ACT Activated

Value	Description
1	Received buffer activated.

#### Bit 3 - DISCARD Packet Discard

Value	Description
1	An incoming packet was discarded.

#### Bit 2 - EEP EEP seen

Value	Description
1	An incoming EEP detected.

#### Bit 1 - EOP EOP seen

Value	Description
1	An incoming EOP detected.

#### Bit 0 - DEACT Deactivated

Value	Description
1	Received buffer deactivated.

### 36.8.41 SpW PktRx 1 Interrupt Set Mask

**Name:** SPW\_PKTRX1\_IM\_S  
**Offset:** 0x0818  
**Reset:** 0x00000000  
**Property:** Write-only

Bit	31	30	29	28	27	26	25	24
Access								
Reset								
Bit	23	22	21	20	19	18	17	16
Access								
Reset								
Bit	15	14	13	12	11	10	9	8
Access								
Reset								
Bit	7	6	5	4	3	2	1	0
Access				ACT	DISCARD	EEP	EOP	DEACT
Reset				W	W	W	W	W
				0	0	0	0	0

#### Bit 4 - ACT Activated

Value	Description
1	Received buffer activated.

#### Bit 3 - DISCARD Packet Discard

Value	Description
1	An incoming packet was discarded.

#### Bit 2 - EEP EEP seen

Value	Description
1	An incoming EEP detected.

#### Bit 1 - EOP EOP seen

Value	Description
1	An incoming EOP detected.

#### Bit 0 - DEACT Deactivated

Value	Description
1	Received buffer deactivated



### 36.8.42 SpW PktRx 1 Interrupt Clear Mask

**Name:** SPW\_PKTRX1\_IM\_C  
**Offset:** 0x081C  
**Reset:** 0x00000000  
**Property:** Write-only

Bit	31	30	29	28	27	26	25	24
Access								
Reset								
Bit	23	22	21	20	19	18	17	16
Access								
Reset								
Bit	15	14	13	12	11	10	9	8
Access								
Reset								
Bit	7	6	5	4	3	2	1	0
Access				ACT	DISCARD	EEP	EOP	DEACT
Reset				W	W	W	W	W
				0	0	0	0	0

#### Bit 4 - ACT Activated

Value	Description
1	Received buffer activated.

#### Bit 3 - DISCARD Packet Discard

Value	Description
1	An incoming packet was discarded.

#### Bit 2 - EEP EEP seen

Value	Description
1	An incoming EEP detected

#### Bit 1 - EOP EOP seen

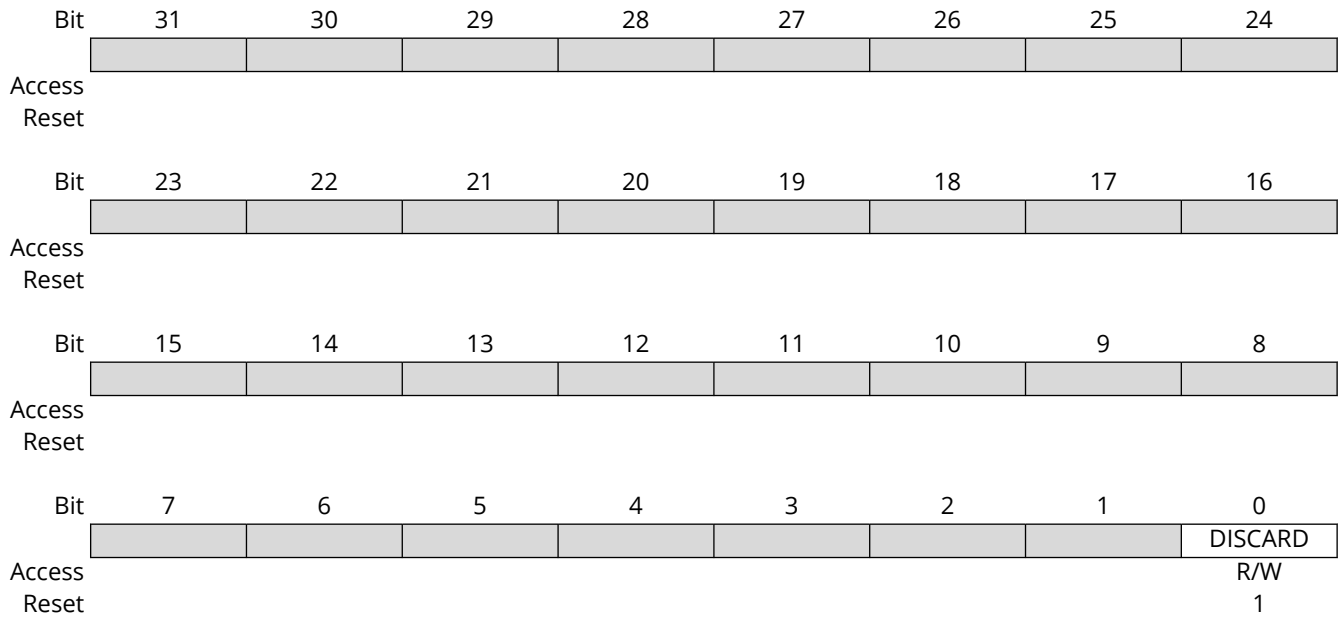
Value	Description
1	An incoming EOP detected.

#### Bit 0 - DEACT Deactivated

Value	Description
1	Received buffer deactivated.

### 36.8.43 SpW PktRx 1 Config

**Name:** SPW\_PKTRX1\_CFG  
**Offset:** 0x0820  
**Reset:** 0x00000001  
**Property:** Read/Write



#### Bit 0 - DISCARD Discard

Value	Description
0	Stall incoming if inactive.
1	Discard incoming if inactive.

### 36.8.44 SpW PktRx 1 Status

**Name:** SPW\_PKTRX1\_STATUS  
**Offset:** 0x0824  
**Reset:** 0x00000000  
**Property:** Read-only

Bit	31	30	29	28	27	26	25	24
Access								
Reset								
Bit	23	22	21	20	19	18	17	16
Access			DEACT	PENDING	ACT	ARM	LOCKED	PACKET
Reset			R	R	R	R	R	R
Reset			0	0	0	0	0	0
Bit	15	14	13	12	11	10	9	8
Access	COUNT[15:8]							
Reset	R	R	R	R	R	R	R	R
Reset	0	0	0	0	0	0	0	0
Bit	7	6	5	4	3	2	1	0
Access	COUNT[7:0]							
Reset	R	R	R	R	R	R	R	R
Reset	0	0	0	0	0	0	0	0

#### Bit 21 - DEACT Deactivating

Value	Description
1	Current Receive Buffer is ready to deactivate.

#### Bit 20 - PENDING Pending

Value	Description
1	Next Receive Buffer is pending.

#### Bit 19 - ACT Active

Value	Description
1	Current receive buffer active.

#### Bit 18 - ARM Armed

Value	Description
1	Next buffer is armed.

#### Bit 17 - LOCKED Locked

Value	Description
1	Previous buffer is locked.

#### Bit 16 - PACKET Packet

Value	Description
1	Incoming Packet ongoing.

**Bits 15:0 - COUNT[15:0] Packet Count**  
 Number of packets in active buffer.

### 36.8.45 SpW PktRx 1 Next Buffer Data Address

**Name:** SPW\_PKTRX1\_NXTBUFDATAADDR  
**Offset:** 0x0830  
**Reset:** 0x00000000  
**Property:** Read/Write

Bit	31	30	29	28	27	26	25	24
	ADDR[31:24]							
Access	R/W	R/W	R/W	R/W	R/W	R/W	R/W	R/W
Reset	0	0	0	0	0	0	0	0
Bit	23	22	21	20	19	18	17	16
	ADDR[23:16]							
Access	R/W	R/W	R/W	R/W	R/W	R/W	R/W	R/W
Reset	0	0	0	0	0	0	0	0
Bit	15	14	13	12	11	10	9	8
	ADDR[15:8]							
Access	R/W	R/W	R/W	R/W	R/W	R/W	R/W	R/W
Reset	0	0	0	0	0	0	0	0
Bit	7	6	5	4	3	2	1	0
	ADDR[7:0]							
Access	R/W	R/W	R/W	R/W	R/W	R/W	R/W	R/W
Reset	0	0	0	0	0	0	0	0

**Bits 31:0 – ADDR[31:0]** Address  
Next Buffer data address.

### 36.8.46 SpW PktRx 1 Next Buffer Data Length

**Name:** SPW\_PKTRX1\_NXTBUFDATALEN  
**Offset:** 0x0834  
**Reset:** 0x00000000  
**Property:** Read/Write

Bit	31	30	29	28	27	26	25	24
Access								
Reset								
Bit	23	22	21	20	19	18	17	16
Access	LEN[23:16]							
Reset	0	0	0	0	0	0	0	0
Bit	15	14	13	12	11	10	9	8
Access	LEN[15:8]							
Reset	0	0	0	0	0	0	0	0
Bit	7	6	5	4	3	2	1	0
Access	LEN[7:0]							
Reset	0	0	0	0	0	0	0	0

**Bits 23:0 - LEN[23:0]** Length  
Next Buffer Data Length, in bytes.

### 36.8.47 SpW PktRx 1 Next Buffer Packet Address

**Name:** SPW\_PKTRX1\_NXTBUFPKTADDR  
**Offset:** 0x0838  
**Reset:** 0x00000000  
**Property:** Read/Write

Bit	31	30	29	28	27	26	25	24
	ADDR[31:24]							
Access	R/W	R/W	R/W	R/W	R/W	R/W	R/W	R/W
Reset	0	0	0	0	0	0	0	0
Bit	23	22	21	20	19	18	17	16
	ADDR[23:16]							
Access	R/W	R/W	R/W	R/W	R/W	R/W	R/W	R/W
Reset	0	0	0	0	0	0	0	0
Bit	15	14	13	12	11	10	9	8
	ADDR[15:8]							
Access	R/W	R/W	R/W	R/W	R/W	R/W	R/W	R/W
Reset	0	0	0	0	0	0	0	0
Bit	7	6	5	4	3	2	1	0
	ADDR[7:0]							
Access	R/W	R/W	R/W	R/W	R/W	R/W	R/W	R/W
Reset	0	0	0	0	0	0	0	0

**Bits 31:0 – ADDR[31:0]** Address  
Next Buffer Packet address.

### 36.8.48 SpW PktRx 1 Next Buffer Config

**Name:** SPW\_PKTRX1\_NXTBUFCFG  
**Offset:** 0x083C  
**Reset:** 0x00000000  
**Property:** Read/Write

Bit	31	30	29	28	27	26	25	24
	SPLIT							START[2:0]
Access	R/W							R/W
Reset	0							0
Bit	23	22	21	20	19	18	17	16
	START[2:0]		VALUE[5:0]					
Access	R/W	R/W	R/W	R/W	R/W	R/W	R/W	R/W
Reset	0	0	0	0	0	0	0	0
Bit	15	14	13	12	11	10	9	8
	MAXCNT[15:8]							
Access	R/W	R/W	R/W	R/W	R/W	R/W	R/W	R/W
Reset	0	0	0	0	0	0	0	0
Bit	7	6	5	4	3	2	1	0
	MAXCNT[7:0]							
Access	R/W	R/W	R/W	R/W	R/W	R/W	R/W	R/W
Reset	0	0	0	0	0	0	0	0

#### Bit 30 – SPLIT Split Pkt

Select how Start may switch buffers.

Value	Description
0	No effect.
1	If a start condition is met, split any ongoing packet and deactivate.

#### Bits 24:22 – START[2:0] Start Mode

Value	Name	Description
0	STARTEVENT	Start if any bit in Start Value matches an incoming event
1	STARTNOW	Start immediately. Request a deactivation on next packet boundary.
2	STARTTCH1	Start if Start Value matches an incoming Time Code from Time Code Handler 1
3	Reserved	Reserved
4	STARTLATER	Start when current buffer is deactivated (e.g., by buffer becoming full).

#### Bits 21:16 – VALUE[5:0] Start Value

Activate on matching Start Value. The interpretation depends on the START field.

#### Bits 15:0 – MAXCNT[15:0] Max Count

Next Buffer Packet Length, measured in number of packets, i.e. entries of 16 bytes. If MaxCnt is zero, the entire register is cleared.

### 36.8.49 SpW PktRx 1 Current Buffer Data Address

**Name:** SPW\_PKTRX1\_CURBUFDATAADDR  
**Offset:** 0x0840  
**Reset:** 0x00000000  
**Property:** Read-only

Bit	31	30	29	28	27	26	25	24
	ADDR[31:24]							
Access	R	R	R	R	R	R	R	R
Reset	0	0	0	0	0	0	0	0
Bit	23	22	21	20	19	18	17	16
	ADDR[23:16]							
Access	R	R	R	R	R	R	R	R
Reset	0	0	0	0	0	0	0	0
Bit	15	14	13	12	11	10	9	8
	ADDR[15:8]							
Access	R	R	R	R	R	R	R	R
Reset	0	0	0	0	0	0	0	0
Bit	7	6	5	4	3	2	1	0
	ADDR[7:0]							
Access	R	R	R	R	R	R	R	R
Reset	0	0	0	0	0	0	0	0

**Bits 31:0 – ADDR[31:0]** Address  
 Current start address to buffer for received packet data.



### 36.8.50 SpW PktRx 1 Current Buffer Data Length

**Name:** SPW\_PKTRX1\_CURBUFDATALEN  
**Offset:** 0x0844  
**Reset:** 0x00000000  
**Property:** Read-only

Bit	31	30	29	28	27	26	25	24
Access								
Reset								
Bit	23	22	21	20	19	18	17	16
	LEN[23:16]							
Access	R	R	R	R	R	R	R	R
Reset	0	0	0	0	0	0	0	0
Bit	15	14	13	12	11	10	9	8
	LEN[15:8]							
Access	R	R	R	R	R	R	R	R
Reset	0	0	0	0	0	0	0	0
Bit	7	6	5	4	3	2	1	0
	LEN[7:0]							
Access	R	R	R	R	R	R	R	R
Reset	0	0	0	0	0	0	0	0

**Bits 23:0 - LEN[23:0] Length**  
 Current buffer data length, in bytes.

### 36.8.51 SpW PktRx 1 Current Buffer Packet Address

**Name:** SPW\_PKTRX1\_CURBUFPKTADDR  
**Offset:** 0x0848  
**Reset:** 0x00000000  
**Property:** Read-only

Bit	31	30	29	28	27	26	25	24
	ADDR[31:24]							
Access	R	R	R	R	R	R	R	R
Reset	0	0	0	0	0	0	0	0
Bit	23	22	21	20	19	18	17	16
	ADDR[23:16]							
Access	R	R	R	R	R	R	R	R
Reset	0	0	0	0	0	0	0	0
Bit	15	14	13	12	11	10	9	8
	ADDR[15:8]							
Access	R	R	R	R	R	R	R	R
Reset	0	0	0	0	0	0	0	0
Bit	7	6	5	4	3	2	1	0
	ADDR[7:0]							
Access	R	R	R	R	R	R	R	R
Reset	0	0	0	0	0	0	0	0

**Bits 31:0 – ADDR[31:0]** Address  
 Current buffer packet start address.

### 36.8.52 SpW PktRx 1 Current Buffer Config

**Name:** SPW\_PKTRX1\_CURBUFCFG  
**Offset:** 0x084C  
**Reset:** 0x00000000  
**Property:** Read/Write

Bit	31	30	29	28	27	26	25	24
	ABORT	SPLIT						
Access	R/W	R/W						
Reset	0	0						
Bit	23	22	21	20	19	18	17	16
Access								
Reset								
Bit	15	14	13	12	11	10	9	8
	MAXCNT[15:8]							
Access	R/W	R/W	R/W	R/W	R/W	R/W	R/W	R/W
Reset	0	0	0	0	0	0	0	0
Bit	7	6	5	4	3	2	1	0
	MAXCNT[7:0]							
Access	R/W	R/W	R/W	R/W	R/W	R/W	R/W	R/W
Reset	0	0	0	0	0	0	0	0

#### Bit 31 – ABORT Abort

Value	Description
0	No abort.
1	Immediately abort and discard any ongoing packet.

#### Bit 30 – SPLIT Split

Value	Description
0	No split.
1	Immediately split any ongoing packet.

#### Bits 15:0 – MAXCNT[15:0] Max Count

Current buffer packet length, measured in number of packets, i.e., entries of 16 bytes.

### 36.8.53 SpW PktRx 1 Previous Buffer Data Length

**Name:** SPW\_PKTRX1\_PREVBUFDATALEN  
**Offset:** 0x0850  
**Reset:** 0x00000000  
**Property:** Read-only

Bit	31	30	29	28	27	26	25	24
Access								
Reset								
Bit	23	22	21	20	19	18	17	16
	LEN[23:16]							
Access	R	R	R	R	R	R	R	R
Reset	0	0	0	0	0	0	0	0
Bit	15	14	13	12	11	10	9	8
	LEN[15:8]							
Access	R	R	R	R	R	R	R	R
Reset	0	0	0	0	0	0	0	0
Bit	7	6	5	4	3	2	1	0
	LEN[7:0]							
Access	R	R	R	R	R	R	R	R
Reset	0	0	0	0	0	0	0	0

**Bits 23:0 - LEN[23:0] Length**  
 Previous buffer data length, in bytes.

### 36.8.54 SpW PktRx 1 Previous Buffer Status

**Name:** SPW\_PKTRX1\_PREVBUFSTS  
**Offset:** 0x0854  
**Reset:** 0x00000000  
**Property:** Read-only

Bit	31	30	29	28	27	26	25	24
	LOCKED							
Access	R/W							
Reset	0							
Bit	23	22	21	20	19	18	17	16
					DMAERR	FULLD	FULLI	EEP
Access					R/W	R/W	R/W	R/W
Reset					0	0	0	0
Bit	15	14	13	12	11	10	9	8
	CNT[15:8]							
Access	R/W	R/W	R/W	R/W	R/W	R/W	R/W	R/W
Reset	0	0	0	0	0	0	0	0
Bit	7	6	5	4	3	2	1	0
	CNT[7:0]							
Access	R/W	R/W	R/W	R/W	R/W	R/W	R/W	R/W
Reset	0	0	0	0	0	0	0	0

#### Bit 31 - LOCKED Locked

Value	Description
1	Previous buffer is locked. This bit is cleared when read.

#### Bit 19 - DMAERR DMA Error

Value	Description
1	DMA Error during packet write.

#### Bit 18 - FULLD Buffer Data Full

Value	Description
1	Receive Buffer data has become full.

#### Bit 17 - FULLI Buffer Info Full

Value	Description
1	Receive Buffer information has become full.

#### Bit 16 - EEP EEP seen

Value	Description
1	An incoming EEP detected in this buffer.

#### Bits 15:0 - CNT[15:0] Count

Number of packets received in previous buffer, i.e. number of Receive Packet Info entries stored.

### 36.8.55 SpW PktRx 1 Software Reset

**Name:** SPW\_PKTRX1\_SWRESET  
**Offset:** 0x087C  
**Reset:** 0x00000000  
**Property:** Read/Write

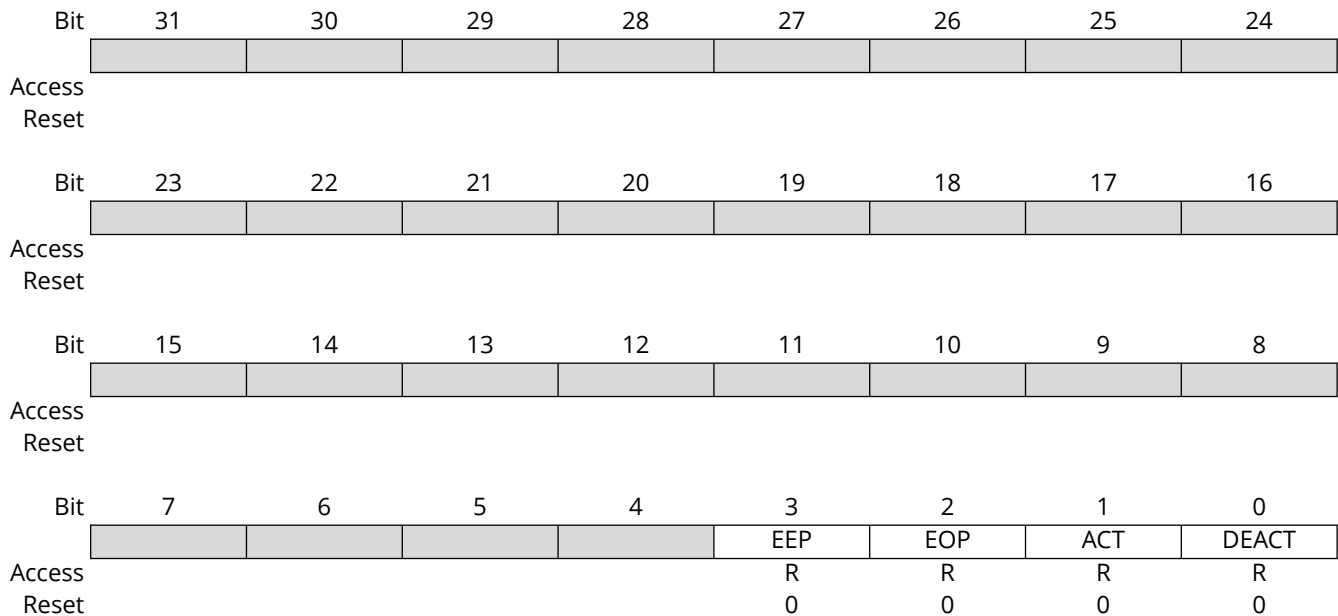
Bit	31	30	29	28	27	26	25	24
	PATTERN[31:24]							
Access	R/W	R/W	R/W	R/W	R/W	R/W	R/W	R/W
Reset	0	0	0	0	0	0	0	0
Bit	23	22	21	20	19	18	17	16
	PATTERN[23:16]							
Access	R/W	R/W	R/W	R/W	R/W	R/W	R/W	R/W
Reset	0	0	0	0	0	0	0	0
Bit	15	14	13	12	11	10	9	8
	PATTERN[15:8]							
Access	R/W	R/W	R/W	R/W	R/W	R/W	R/W	R/W
Reset	0	0	0	0	0	0	0	0
Bit	7	6	5	4	3	2	1	0
	PATTERN[7:0]							
Access	R/W	R/W	R/W	R/W	R/W	R/W	R/W	R/W
Reset	0	0	0	0	0	0	0	0

**Bits 31:0 – PATTERN[31:0]** Pattern  
 4D61\_6A6F: Arm reset.  
 7254\_6F6D: Trigger reset, if armed.  
 Others: Clear Arm

### 36.8.56 SpW PktTx 1 Pending Read Masked Interrupt

**Name:** SPW\_PKTTX1\_PI\_RM  
**Offset:** 0x0C00  
**Reset:** 0x00000000  
**Property:** Read-only

**Note:** The register contents are automatically ANDed with the corresponding masked register to obtain the masked information directly.



#### Bit 3 – EEP EEP Sent

Note: the content of the register is automatically ANDed with the corresponding masked register to obtain directly the masked information

Value	Description
1	An EEP was sent, i.e., an outgoing packet was discarded.

#### Bit 2 – EOP EOP Sent

Value	Description
1	An EOP was sent.

#### Bit 1 – ACT Activated

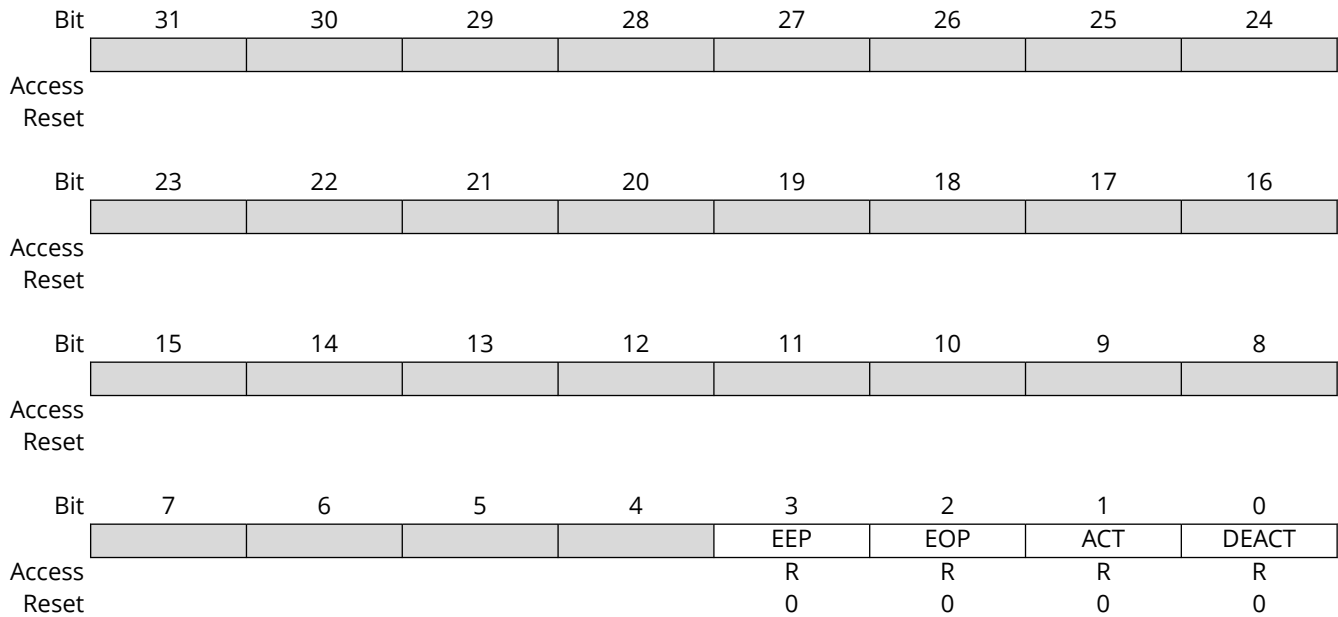
Value	Description
1	Send List activated.

#### Bit 0 – DEACT Deactivated

Value	Description
1	Send List deactivated.

### 36.8.57 SpW PktTx 1 Pending Read Interrupt

**Name:** SPW\_PKTTX1\_PI\_R  
**Offset:** 0x0C08  
**Reset:** 0x00000000  
**Property:** Read-only



#### Bit 3 - EEP EEP Sent

Value	Description
1	An EEP was sent, i.e., an outgoing packet was discarded.

#### Bit 2 - EOP EOP Sent

Value	Description
1	An EOP was sent.

#### Bit 1 - ACT Activated

Value	Description
1	Send List activated.

#### Bit 0 - DEACT Deactivated

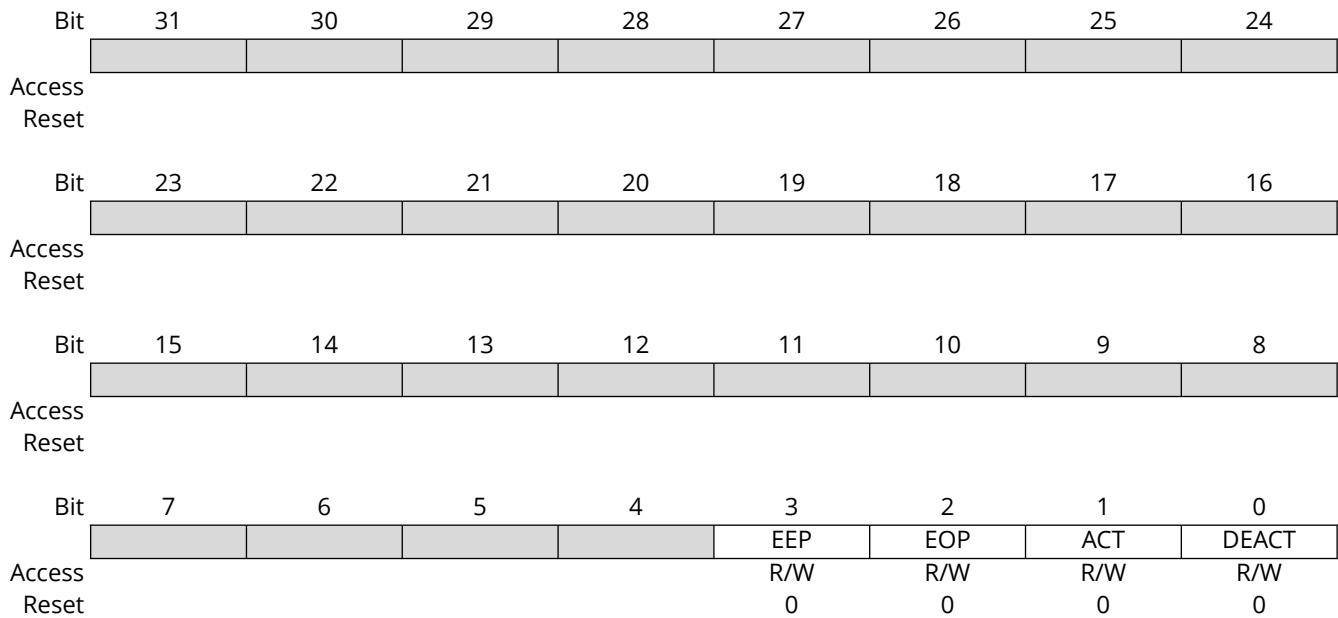
Value	Description
1	Send List deactivated.



### 36.8.58 SpW PktTx 1 Pending Read and Clear Interrupt

**Name:** SPW\_PKTTX1\_PI\_RCS  
**Offset:** 0x0C0C  
**Reset:** 0x00000000  
**Property:** Read/Write

**Note:** This register is cleared on read.



#### Bit 3 - EEP EEP Sent

Value	Description
1	An EEP was sent, i.e., an outgoing packet was discarded.

#### Bit 2 - EOP EOP Sent

Value	Description
1	An EOP was sent.

#### Bit 1 - ACT Activated

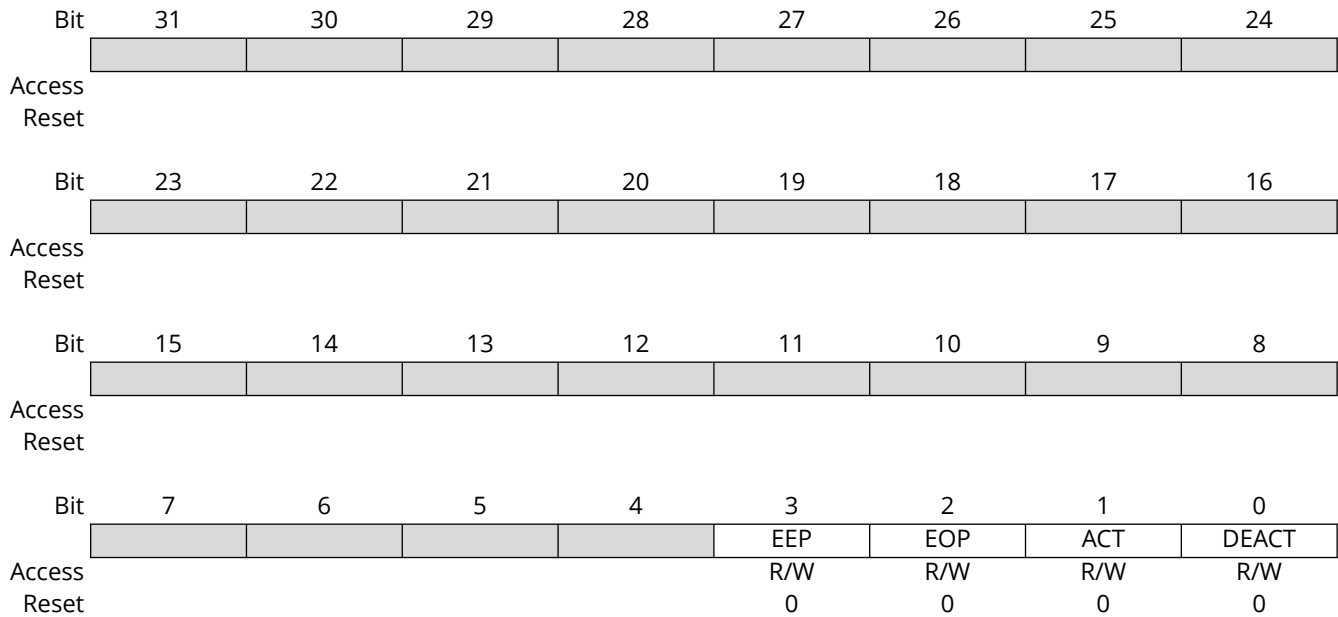
Value	Description
1	Send List activated.

#### Bit 0 - DEACT Deactivated

Value	Description
1	Send List deactivated.

### 36.8.59 SpW PktTx 1 Interrupt Mask

**Name:** SPW\_PKTTX1\_IM  
**Offset:** 0x0C10  
**Reset:** 0x00000000  
**Property:** Read/Write



#### Bit 3 - EEP EEP Sent

Value	Description
1	An EEP was sent, i.e., an outgoing packet was discarded.

#### Bit 2 - EOP EOP Sent

Value	Description
1	An EOP was sent.

#### Bit 1 - ACT Activated

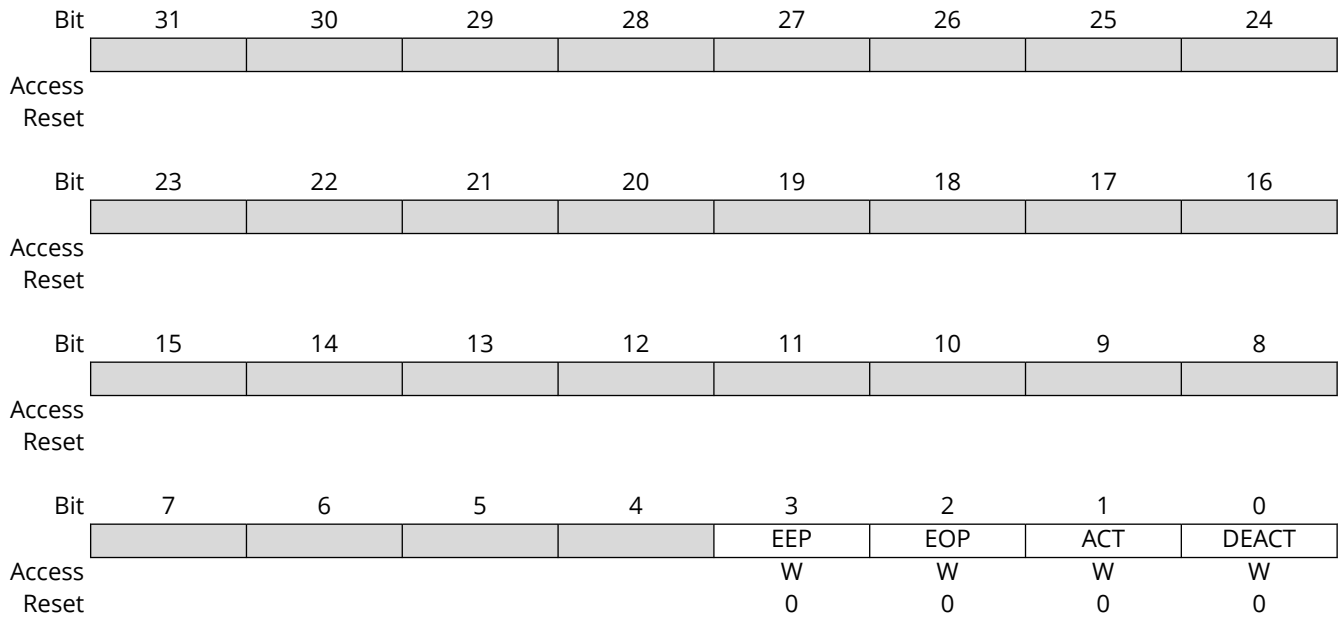
Value	Description
1	Send List activated.

#### Bit 0 - DEACT Deactivated

Value	Description
1	Send List deactivated.

### 36.8.60 SpW PktTx 1 Clear Pending Interrupt

**Name:** SPW\_PKTTX1\_PI\_C  
**Offset:** 0x0C14  
**Reset:** 0x00000000  
**Property:** Write-only



#### Bit 3 - EEP EEP Sent

Value	Description
1	An EEP was sent, i.e., an outgoing packet was discarded.

#### Bit 2 - EOP EOP Sent

Value	Description
1	An EOP was sent.

#### Bit 1 - ACT Activated

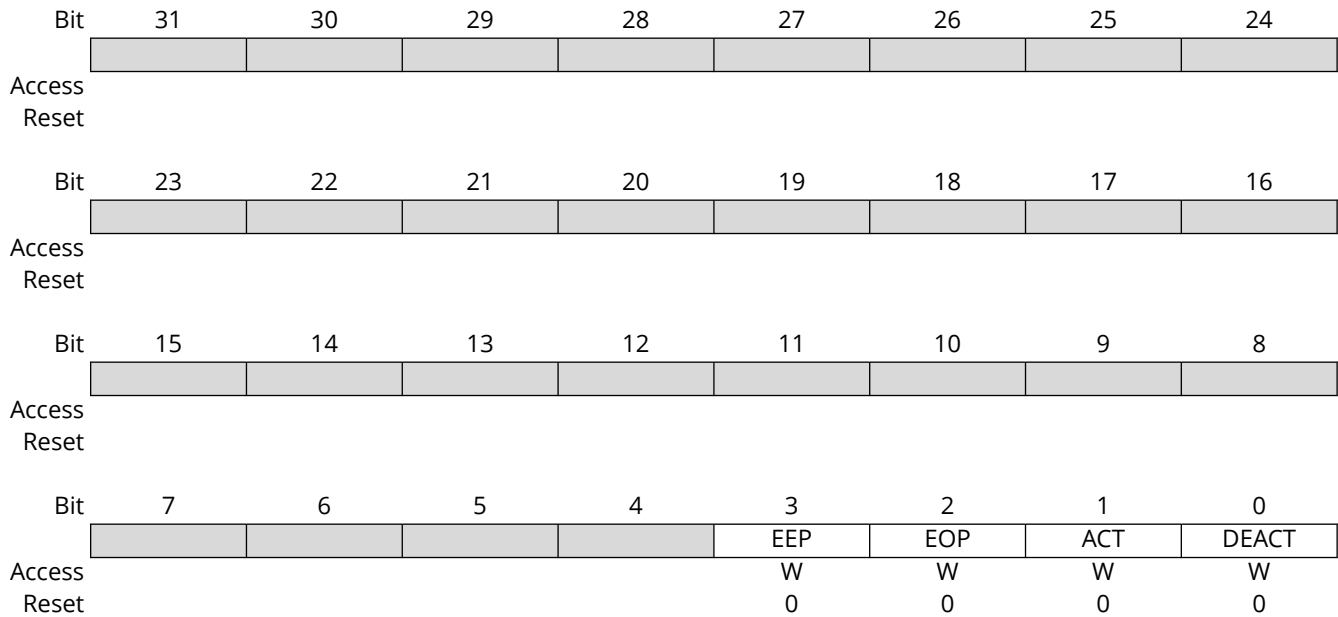
Value	Description
1	Send List activated.

#### Bit 0 - DEACT Deactivated

Value	Description
1	Send List deactivated.

### 36.8.61 SpW PktTx 1 Interrupt Set Mask

**Name:** SPW\_PKTTX1\_IM\_S  
**Offset:** 0x0C18  
**Reset:** 0x00000000  
**Property:** Write-only



#### Bit 3 - EEP EEP Sent

Value	Description
1	An EEP was sent, i.e., an outgoing packet was discarded.

#### Bit 2 - EOP EOP sent

Value	Description
1	An EOP was sent.

#### Bit 1 - ACT Activated

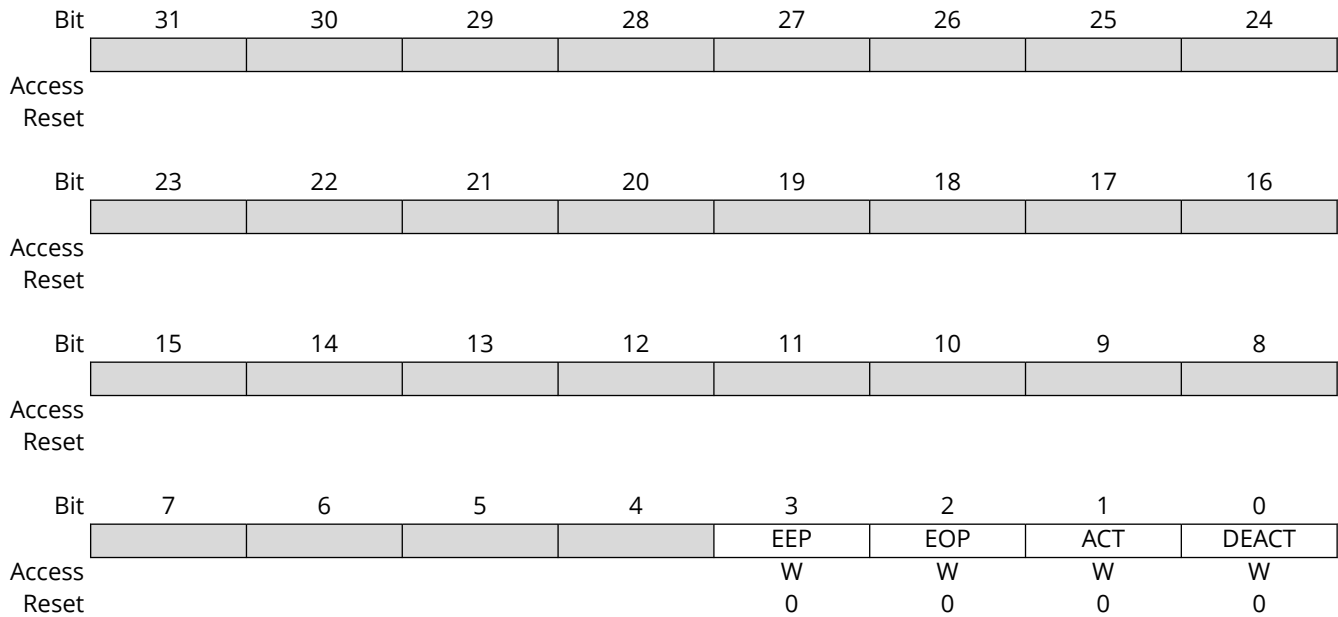
Value	Description
1	Send List activated.

#### Bit 0 - DEACT Deactivated

Value	Description
1	Send List deactivated.

### 36.8.62 SpW PktTx 1 Interrupt Clear Mask

**Name:** SPW\_PKTTX1\_IM\_C  
**Offset:** 0x0C1C  
**Reset:** 0x00000000  
**Property:** Write-only



#### Bit 3 - EEP EEP Sent

Value	Description
1	An EEP was sent, i.e., an outgoing packet was discarded.

#### Bit 2 - EOP EOP Sent

Value	Description
1	An EOP was sent.

#### Bit 1 - ACT Activated

Value	Description
1	Send List activated.

#### Bit 0 - DEACT Deactivated

Value	Description
1	Send List deactivated.

### 36.8.63 SpW PktTx 1 Status

**Name:** SPW\_PKTTX1\_STATUS  
**Offset:** 0x0C20  
**Reset:** 0x00000000  
**Property:** Read/Write

Bit	31	30	29	28	27	26	25	24
Access								
Reset								
Bit	23	22	21	20	19	18	17	16
Access						PREV[2:0]		
Reset						R/W	R/W	R/W
						0	0	0
Bit	15	14	13	12	11	10	9	8
Access								
Reset								
Bit	7	6	5	4	3	2	1	0
Access					DEACT	PENDING	ACT	ARM
Reset					R/W	R/W	R/W	R/W
					0	0	0	0

#### Bits 18:16 – PREV[2:0] Previous

Describes status of last deactivated send list. This is set simultaneously with the Deact interrupt. The field is locked when non-zero, and any active send list will not be able to deactivate. Writing any value to this register clears the PREV field.

Value	Name	Description
0	NOINFO	No information. Field not locked.
1	LASTSENDLISTOK	Last send list fully done
2	ABORTEDMEMERR	Aborted due to memory access error.
3	ABORTEDNEWSD	Aborted by new send list.
4	ABORTEDUSERCMD	Aborted by direct user command.
5	ABORTEDTIMEOUT	Aborted by timeout.
others	OTHERS	INVALID

#### Bit 3 – DEACT Deactivating

Value	Description
1	Current Send list is ready to deactivate.

#### Bit 2 – PENDING Pending

Value	Description
1	Next Send list is pending.

#### Bit 1 – ACT Active

Value	Description
1	Current Send list active.

#### Bit 0 – ARM Armed

Value	Description
1	Next Send list armed.

### 36.8.64 SpW PktTx 1 Next Send List Router Bytes

**Name:** SPW\_PKTTX1\_NXTSENDROUT  
**Offset:** 0x0C24  
**Reset:** 0x00000000  
**Property:** Read/Write

Bit	31	30	29	28	27	26	25	24
	BYTE1[7:0]							
Access	R/W	R/W	R/W	R/W	R/W	R/W	R/W	R/W
Reset	0	0	0	0	0	0	0	0
Bit	23	22	21	20	19	18	17	16
	BYTE2[7:0]							
Access	R/W	R/W	R/W	R/W	R/W	R/W	R/W	R/W
Reset	0	0	0	0	0	0	0	0
Bit	15	14	13	12	11	10	9	8
	BYTE3[7:0]							
Access	R/W	R/W	R/W	R/W	R/W	R/W	R/W	R/W
Reset	0	0	0	0	0	0	0	0
Bit	7	6	5	4	3	2	1	0
	BYTE4[7:0]							
Access	R/W	R/W	R/W	R/W	R/W	R/W	R/W	R/W
Reset	0	0	0	0	0	0	0	0

**Bits 31:24 - BYTE1[7:0]** Byte1  
First byte to prepend, if non-zero.

**Bits 23:16 - BYTE2[7:0]** Byte2  
Second byte to prepend, if non-zero.

**Bits 15:8 - BYTE3[7:0]** Byte3  
Third byte to prepend, if non-zero.

**Bits 7:0 - BYTE4[7:0]** Byte4  
Fourth byte to prepend, if non-zero.



### 36.8.65 SpW PktTx 1 Next Send List Address

**Name:** SPW\_PKTTX1\_NXTSENDADDR  
**Offset:** 0x0C28  
**Reset:** 0x00000000  
**Property:** Read/Write

Bit	31	30	29	28	27	26	25	24
	ADDR[31:24]							
Access	R/W	R/W	R/W	R/W	R/W	R/W	R/W	R/W
Reset	0	0	0	0	0	0	0	0
Bit	23	22	21	20	19	18	17	16
	ADDR[23:16]							
Access	R/W	R/W	R/W	R/W	R/W	R/W	R/W	R/W
Reset	0	0	0	0	0	0	0	0
Bit	15	14	13	12	11	10	9	8
	ADDR[15:8]							
Access	R/W	R/W	R/W	R/W	R/W	R/W	R/W	R/W
Reset	0	0	0	0	0	0	0	0
Bit	7	6	5	4	3	2	1	0
	ADDR[7:0]							
Access	R/W	R/W	R/W	R/W	R/W	R/W	R/W	R/W
Reset	0	0	0	0	0	0	0	0

**Bits 31:0 – ADDR[31:0]** Address  
Next Send list address.

### 36.8.66 SpW PktTx 1 Next Send List Config

**Name:** SPW\_PKTTX1\_NXTSENDCFG  
**Offset:** 0x0C2C  
**Reset:** 0x00000000  
**Property:** Read/Write

Bit	31	30	29	28	27	26	25	24
			ABORT					
Access			R/W					
Reset			0					
Bit	23	22	21	20	19	18	17	16
	START[1:0]		VALUE[5:0]					
Access	R/W	R/W	R/W	R/W	R/W	R/W	R/W	R/W
Reset	0	0	0	0	0	0	0	0
Bit	15	14	13	12	11	10	9	8
	LEN[15:8]							
Access	R/W	R/W	R/W	R/W	R/W	R/W	R/W	R/W
Reset	0	0	0	0	0	0	0	0
Bit	7	6	5	4	3	2	1	0
	LEN[7:0]							
Access	R/W	R/W	R/W	R/W	R/W	R/W	R/W	R/W
Reset	0	0	0	0	0	0	0	0

#### Bit 29 – ABORT Abort

Value	Description
1	Abort ongoing Send list when this Send list wants to start.

#### Bits 23:22 – START[1:0] Start Mode

Value	Name	Description
0	STARTEVENT	Start if any bit in Start Value matches an incoming event
1	STARTNOW	Start immediately, if possible
2	STARTTCH1	Start if Start Value matches an incoming Time Code from Time Code Handler 1
3	Reserved	Reserved

#### Bits 21:16 – VALUE[5:0] Start Value

Activate on matching Start value. The interpretation depends on the START field.

#### Bits 15:0 – LEN[15:0] Length

Number of entries in Send list.

### 36.8.67 SpW PktTx 1 Current Send List Router Bytes

**Name:** SPW\_PKTTX1\_CURSENDROUT  
**Offset:** 0x0C30  
**Reset:** 0x00000000  
**Property:** Read-only

Bit	31	30	29	28	27	26	25	24
	BYTE1[7:0]							
Access	R	R	R	R	R	R	R	R
Reset	0	0	0	0	0	0	0	0
Bit	23	22	21	20	19	18	17	16
	BYTE2[7:0]							
Access	R	R	R	R	R	R	R	R
Reset	0	0	0	0	0	0	0	0
Bit	15	14	13	12	11	10	9	8
	BYTE3[7:0]							
Access	R	R	R	R	R	R	R	R
Reset	0	0	0	0	0	0	0	0
Bit	7	6	5	4	3	2	1	0
	BYTE4[7:0]							
Access	R	R	R	R	R	R	R	R
Reset	0	0	0	0	0	0	0	0

**Bits 31:24 - BYTE1[7:0]** Byte1  
First byte to prepend, if non-zero.

**Bits 23:16 - BYTE2[7:0]** Byte2  
Second byte to prepend, if non-zero.

**Bits 15:8 - BYTE3[7:0]** Byte3  
Third byte to prepend, if non-zero.

**Bits 7:0 - BYTE4[7:0]** Byte4  
Fourth byte to prepend, if non-zero.

### 36.8.68 SpW PktTx 1 Current Send List Address

**Name:** SPW\_PKTTX1\_CURSENDADDR  
**Offset:** 0x0C34  
**Reset:** 0x00000000  
**Property:** Read-only

Bit	31	30	29	28	27	26	25	24
	ADDR[31:24]							
Access	R	R	R	R	R	R	R	R
Reset	0	0	0	0	0	0	0	0
Bit	23	22	21	20	19	18	17	16
	ADDR[23:16]							
Access	R	R	R	R	R	R	R	R
Reset	0	0	0	0	0	0	0	0
Bit	15	14	13	12	11	10	9	8
	ADDR[15:8]							
Access	R	R	R	R	R	R	R	R
Reset	0	0	0	0	0	0	0	0
Bit	7	6	5	4	3	2	1	0
	ADDR[7:0]							
Access	R	R	R	R	R	R	R	R
Reset	0	0	0	0	0	0	0	0

**Bits 31:0 – ADDR[31:0]** Address  
Current Send list address.

### 36.8.69 SpW PktTx 1 Current Send List Config

**Name:** SPW\_PKTTX1\_CURSEND CFG  
**Offset:** 0x0C38  
**Reset:** 0x00000000  
**Property:** Read/Write

Bit	31	30	29	28	27	26	25	24
	ABORT							
Access	R/W							
Reset	0							
Bit	23	22	21	20	19	18	17	16
Access								
Reset								
Bit	15	14	13	12	11	10	9	8
	LEN[15:8]							
Access	R/W	R/W	R/W	R/W	R/W	R/W	R/W	R/W
Reset	0	0	0	0	0	0	0	0
Bit	7	6	5	4	3	2	1	0
	LEN[7:0]							
Access	R/W	R/W	R/W	R/W	R/W	R/W	R/W	R/W
Reset	0	0	0	0	0	0	0	0

#### Bit 31 – ABORT Abort

Value	Description
0	No immediate Abort.
1	Immediately Abort any ongoing packet.

#### Bits 15:0 – LEN[15:0] Length

Number of entries in Send list.

### 36.8.70 SpW PktTx 1 Software Reset

**Name:** SPW\_PKTTX1\_SWRESET  
**Offset:** 0x0C3C  
**Reset:** 0x00000000  
**Property:** Read/Write

Bit	31	30	29	28	27	26	25	24
	PATTERN[31:24]							
Access	R/W	R/W	R/W	R/W	R/W	R/W	R/W	R/W
Reset	0	0	0	0	0	0	0	0
Bit	23	22	21	20	19	18	17	16
	PATTERN[23:16]							
Access	R/W	R/W	R/W	R/W	R/W	R/W	R/W	R/W
Reset	0	0	0	0	0	0	0	0
Bit	15	14	13	12	11	10	9	8
	PATTERN[15:8]							
Access	R/W	R/W	R/W	R/W	R/W	R/W	R/W	R/W
Reset	0	0	0	0	0	0	0	0
Bit	7	6	5	4	3	2	1	0
	PATTERN[7:0]							
Access	R/W	R/W	R/W	R/W	R/W	R/W	R/W	R/W
Reset	0	0	0	0	0	0	0	0

**Bits 31:0 – PATTERN[31:0]** Pattern  
 4D61\_6A6F: Arm reset.  
 7254\_6F6D: Trigger reset, if armed.  
 Others: Clear Arm

### 36.8.71 Spw RMAP 1 Config

**Name:** SPW\_RMAP1\_CFG  
**Offset:** 0x00000E00  
**Reset:** 0x00010000  
**Property:** Read/Write

Bit	31	30	29	28	27	26	25	24
Access								
Reset								
Bit	23	22	21	20	19	18	17	16
Access								RMAPENA
Reset								1
Bit	15	14	13	12	11	10	9	8
Access	TLA[7:0]							
Reset	0	0	0	0	0	0	0	0
Bit	7	6	5	4	3	2	1	0
Access	DESTKEY[7:0]							
Reset	0	0	0	0	0	0	0	0

#### Bit 16 – RMAPENA RMAP Enable

Value	Description
0	Disable Access to this RMAP.
1	Enable Access to this RMAP.

#### Bits 15:8 – TLA[7:0] Address

Target Logical Address. Any incoming RMAP command must have a TLA matching this value, or TLA = 0xFE, in order to be accepted.

#### Bits 7:0 – DESTKEY[7:0] DestKey

RMAP Destination Key. Any incoming RMAP command must have a matching Destination Key in order to be accepted. If not, the complete packet is rejected during header check.

### 36.8.72 Spw RMAP 1 Read and Clear Status

**Name:** SPW\_RMAP1\_STS\_RC  
**Offset:** 0x0E04  
**Reset:** 0x00000000  
**Property:** Read-only

**Note:** This register is cleared on read.

Bit	31	30	29	28	27	26	25	24
Access								
Reset								
Bit	23	22	21	20	19	18	17	16
Access								
Reset								
Bit	15	14	13	12	11	10	9	8
Access								VALID
Reset								R 0
Bit	7	6	5	4	3	2	1	0
Access				ERRCODE[7:0]				
Reset	R 0	R 0	R 0	R 0	R 0	R 0	R 0	R 0

#### Bit 8 - VALID Valid

Value	Description
0	No new error detected.
1	New error detected.

#### Bits 7:0 - ERRCODE[7:0] Error Code

Value	Name	Description
0	NOERROR	No error detected.
1	DMAERROR	Error while DMA accessing the internal bus, e.g., illegal address.
2	RMAPERROR	Unused RMAP command according to [RMAP].
3	DESTKEYERROR	Destination key error.
4	DATAERCERROR	Data CRC error.
5	EOPERROR	Early EOP in header or data, i.e., EOP has been received with less data than expected from the RMAP command header.
6	CARGOERROR	Cargo too large. Late EOP or EEP in data, i.e., EOP/EEP has been received with more data than expected from the RMAP command header.
7	EEPERROR	Early EEP in data for RMAP commands. EEP has been received with less data or exactly as much as expected from the RMAP command header.
10	CMDERROR	Authorization error: Invalid or unsupported command.
12	TLAERROR	Non-matching Target Logical Address.
16	HEADERCRCERROR	Incorrect header CRC.
17	PROTOCOLIDERROR	Protocol Identifier not supported.
18	REPLYADDERROR	Unsupported reply address length.



### 36.8.73 Spw RMAP 1 Read Status

**Name:** SPW\_RMAP1\_STS  
**Offset:** 0x0E08  
**Reset:** 0x00000000  
**Property:** Read-only

Bit	31	30	29	28	27	26	25	24
Access								
Reset								
Bit	23	22	21	20	19	18	17	16
Access								
Reset								
Bit	15	14	13	12	11	10	9	8
Access								VALID
Reset								R 0
Bit	7	6	5	4	3	2	1	0
Access	R	R	R	R	R	R	R	R
Reset	0	0	0	0	0	0	0	0

#### Bit 8 - VALID Valid

Value	Description
0	No new error detected.
1	New error detected.

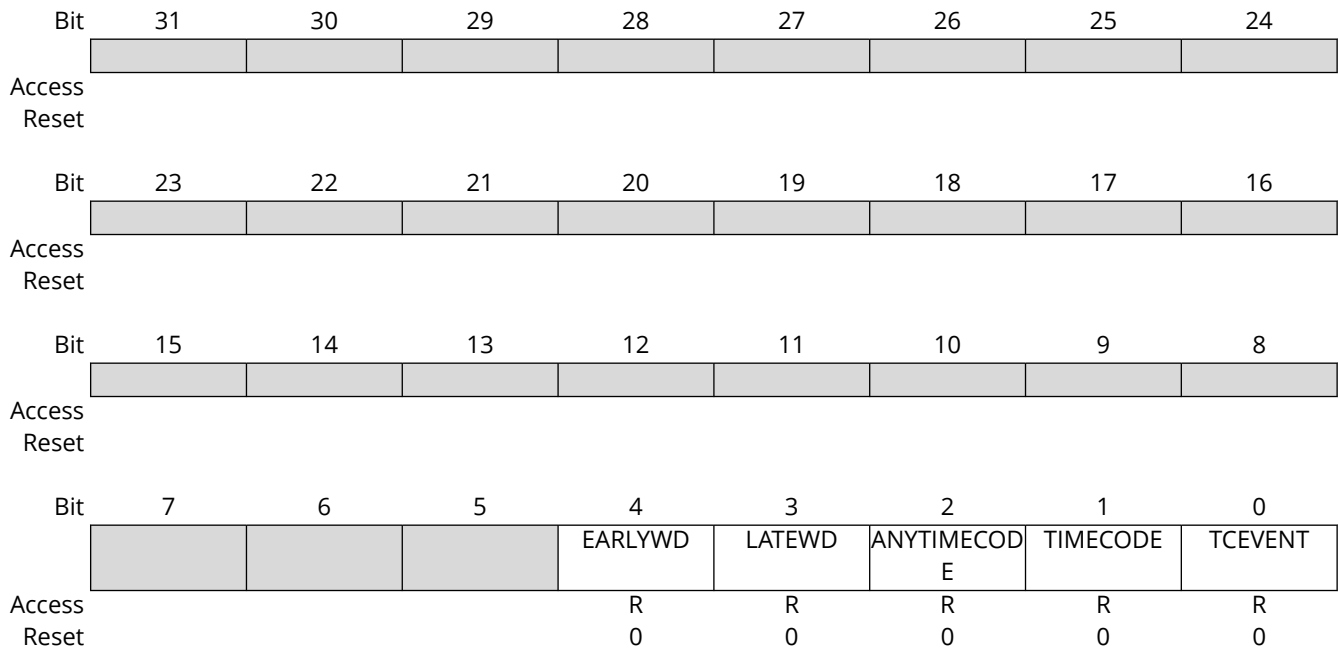
#### Bits 7:0 - ERRCODE[7:0] Error Code

Value	Name	Description
0	NOERROR	No error detected.
1	DMAERROR	Error while DMA accessing the internal bus, e.g., illegal address.
2	RMAPERROR	Unused RMAP command according to [RMAP].
3	DESTKEYERROR	Destination key error.
4	DATAERCERROR	Data CRC error.
5	EOPERROR	Early EOP in header or data, i.e., EOP has been received with less data than expected from the RMAP command header.
6	CARGOERROR	Cargo too large. Late EOP or EEP in data, i.e., EOP/EEP has been received with more data than expected from the RMAP command header.
7	EEPERROR	Early EEP in data for RMAP commands. EEP has been received with less data or exactly as much as expected from the RMAP command header.
10	CMDERROR	Authorization error: Invalid or unsupported command.
12	TLAERROR	Non-matching Target Logical Address.
16	HEADERCRCERROR	Incorrect header CRC.
17	PROTOCOLIDERROR	Protocol Identifier not supported.
18	REPLYADDRERROR	Unsupported reply address length.

### 36.8.74 Spw Tch Pending Read Masked Interrupt

**Name:** SPW\_TCH\_PI\_RM  
**Offset:** 0x0E80  
**Reset:** 0x00010000  
**Property:** Read-only

**Note:** The register contents are automatically ANDed with the corresponding masked register to obtain the masked information directly.



#### Bit 4 - EARLYWD Early Watchdog

Value	Description
1	Early Watchdog triggered.

#### Bit 3 - LATEWD Late Watchdog

Value	Description
1	Late Watchdog triggered.

#### Bit 2 - ANYTIMECODE Any Time Code

Value	Description
1	Any Time Code arrived.

#### Bit 1 - TIMECODE Time Code

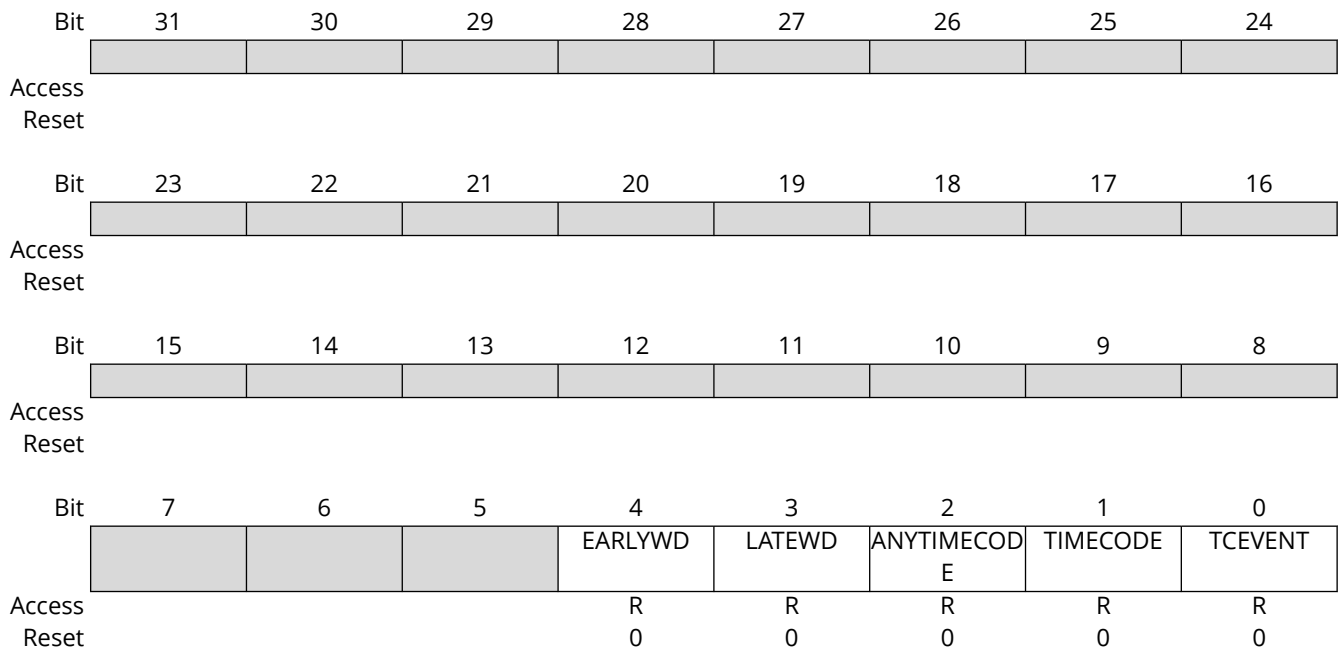
Value	Description
1	Time synchronization event, i.e., valid Time Code received or internal event triggered time code to send.

#### Bit 0 - TCEVENT TcEvent

Value	Description
1	Tc Event triggered.

### 36.8.75 Spw Tch Pending Read Interrupt

**Name:** SPW\_TCH\_PI\_R  
**Offset:** 0x0E88  
**Reset:** 0x00000000  
**Property:** Read-only



#### Bit 4 - EARLYWD Early Watchdog

Value	Description
1	Early Watchdog triggered.

#### Bit 3 - LATEWD Late Watchdog

Value	Description
1	Late Watchdog triggered.

#### Bit 2 - ANYTIMECODE Any Time Code

Value	Description
1	Any Time Code arrived.

#### Bit 1 - TIMECODE Time Code

Value	Description
1	Time synchronization event, i.e., valid Time Code received or internal event triggered time code to send.

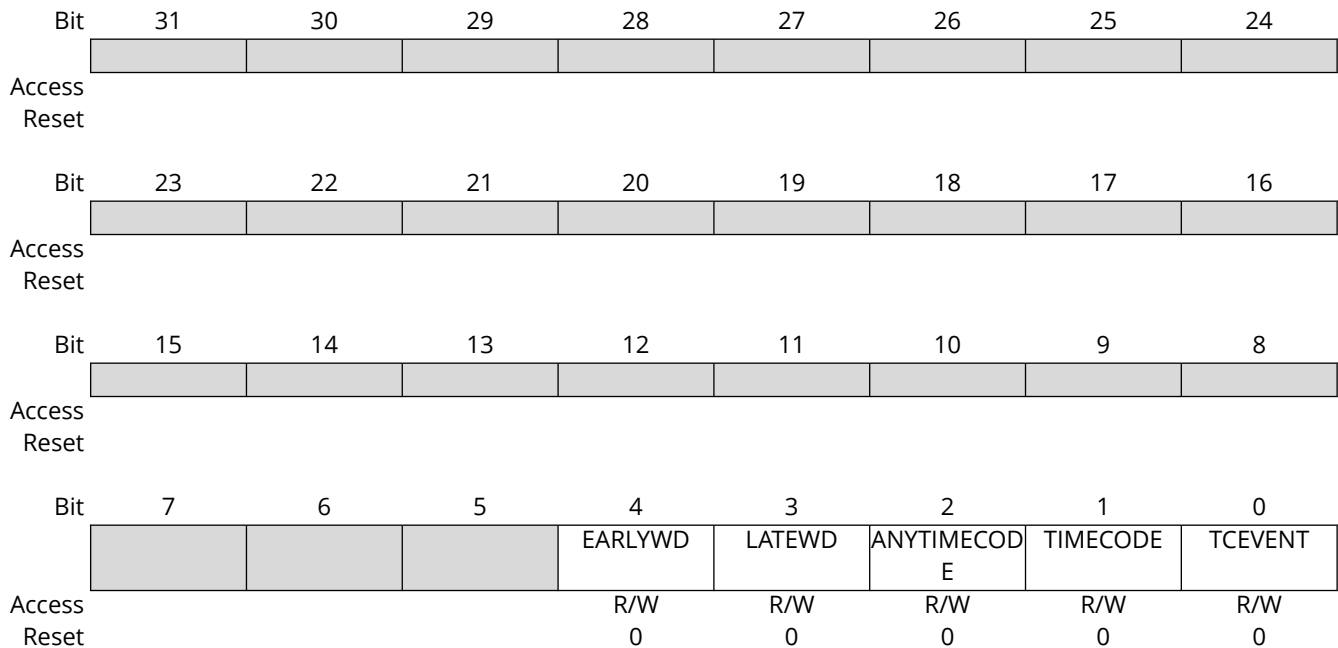
#### Bit 0 - TCEVENT TcEvent

Value	Description
1	Tc Event triggered.

### 36.8.76 Spw Tch Pending Read and Clear Interrupt

**Name:** SPW\_TCH\_PI\_RCS  
**Offset:** 0x0E8C  
**Reset:** 0x00000000  
**Property:** Read/Write

**Note:** This register is cleared on read.



#### Bit 4 - EARLYWD Early Watchdog

Value	Description
1	Early Watchdog triggered.

#### Bit 3 - LATEWD Late Watchdog

Value	Description
1	Late Watchdog triggered.

#### Bit 2 - ANYTIMECODE Any Time Code

Value	Description
1	Any Time Code arrived.

#### Bit 1 - TIMECODE Time Code

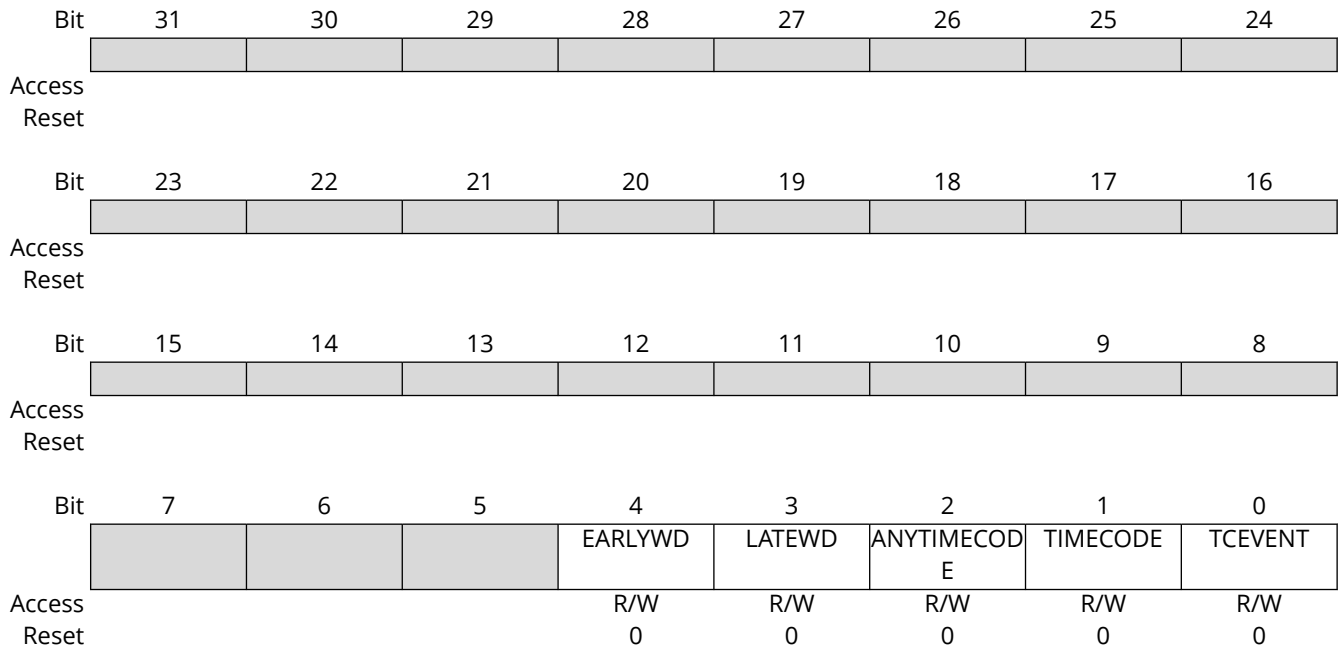
Value	Description
1	Time synchronization event, i.e., valid Time Code received or internal event triggered time code to send.

#### Bit 0 - TCEVENT TcEvent

Value	Description
1	Tc Event triggered.

### 36.8.77 Spw Tch Interrupt Mask

**Name:** SPW\_TCH\_IM  
**Offset:** 0x0E90  
**Reset:** 0x00000000  
**Property:** Read/Write



#### Bit 4 - EARLYWD Early Watchdog

Value	Description
1	Early Watchdog triggered.

#### Bit 3 - LATEWD Late Watchdog

Value	Description
1	Late Watchdog triggered.

#### Bit 2 - ANYTIMECODE Any Time Code

Value	Description
1	Any Time Code arrived.

#### Bit 1 - TIMECODE Time Code

Value	Description
1	Time synchronization event, i.e., valid Time Code received or internal event triggered time code to send.

#### Bit 0 - TCEVENT TcEvent

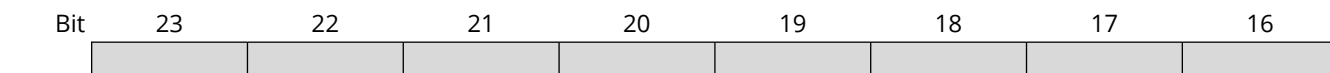
Value	Description
1	Tc Event triggered.

### 36.8.78 Spw Tch Clear Pending Interrupt

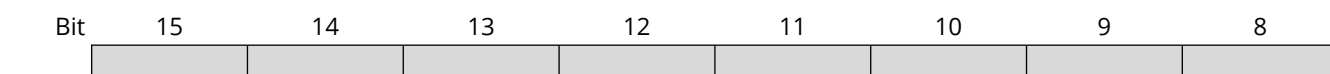
**Name:** SPW\_TCH\_PI\_C  
**Offset:** 0x0E94  
**Reset:** 0x00000000  
**Property:** Write-only



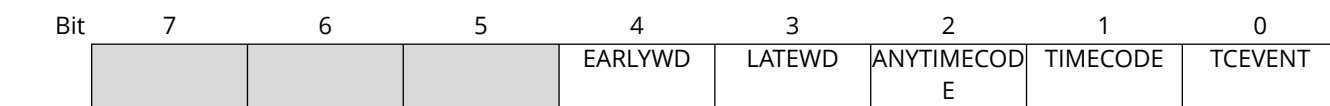
Access  
Reset



Access  
Reset



Access  
Reset



Access  
Reset

W	W	W	W	W
0	0	0	0	0

#### Bit 4 - EARLYWD Early Watchdog

Value	Description
1	Early Watchdog triggered.

#### Bit 3 - LATEWD Late Watchdog

Value	Description
1	Late Watchdog triggered.

#### Bit 2 - ANYTIMECODE Any Time Code

Value	Description
1	Any Time Code arrived.

#### Bit 1 - TIMECODE Time Code

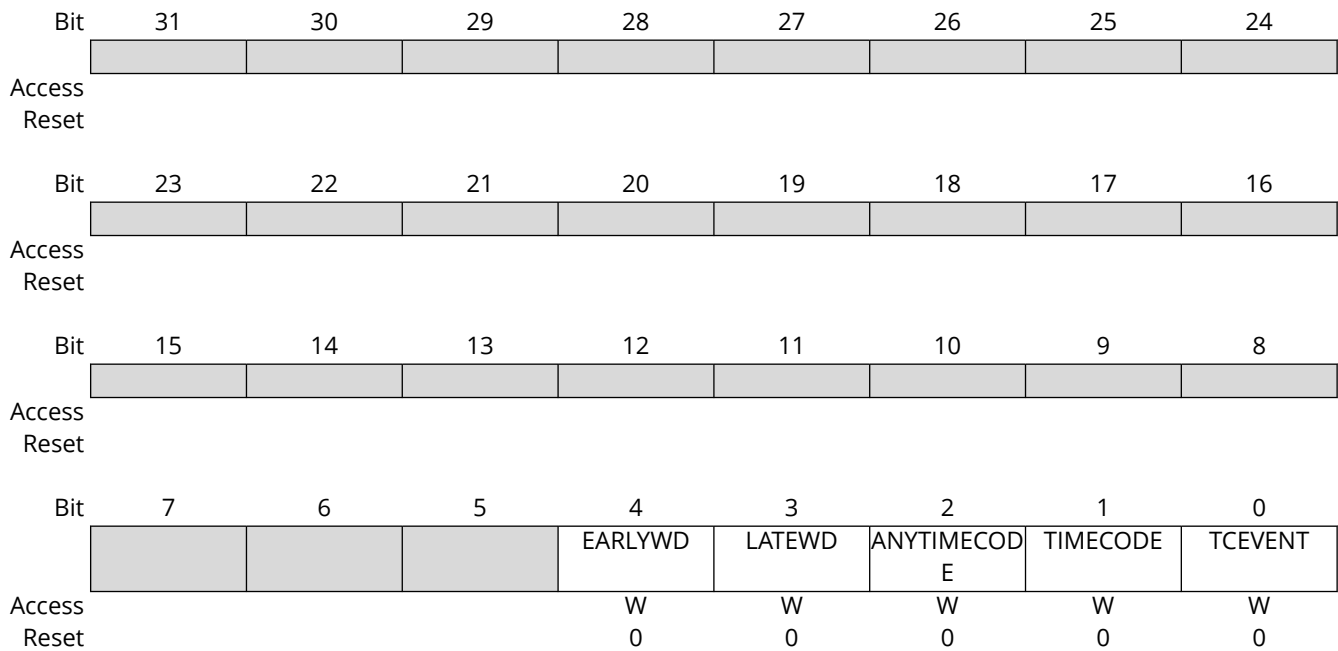
Value	Description
1	Time synchronization event, i.e., valid Time Code received or internal event triggered time code to send.

#### Bit 0 - TCEVENT TcEvent

Value	Description
1	Tc Event triggered.

### 36.8.79 Spw Tch Interrupt Set Mask

**Name:** SPW\_TCH\_IM\_S  
**Offset:** 0x0E98  
**Reset:** 0x00000000  
**Property:** Write-only



#### Bit 4 - EARLYWD Early Watchdog

Value	Description
1	Early Watchdog triggered.

#### Bit 3 - LATEWD Late Watchdog

Value	Description
1	Late Watchdog triggered.

#### Bit 2 - ANYTIMECODE Any Time Code

Value	Description
1	Any Time Code arrived.

#### Bit 1 - TIMECODE Time Code

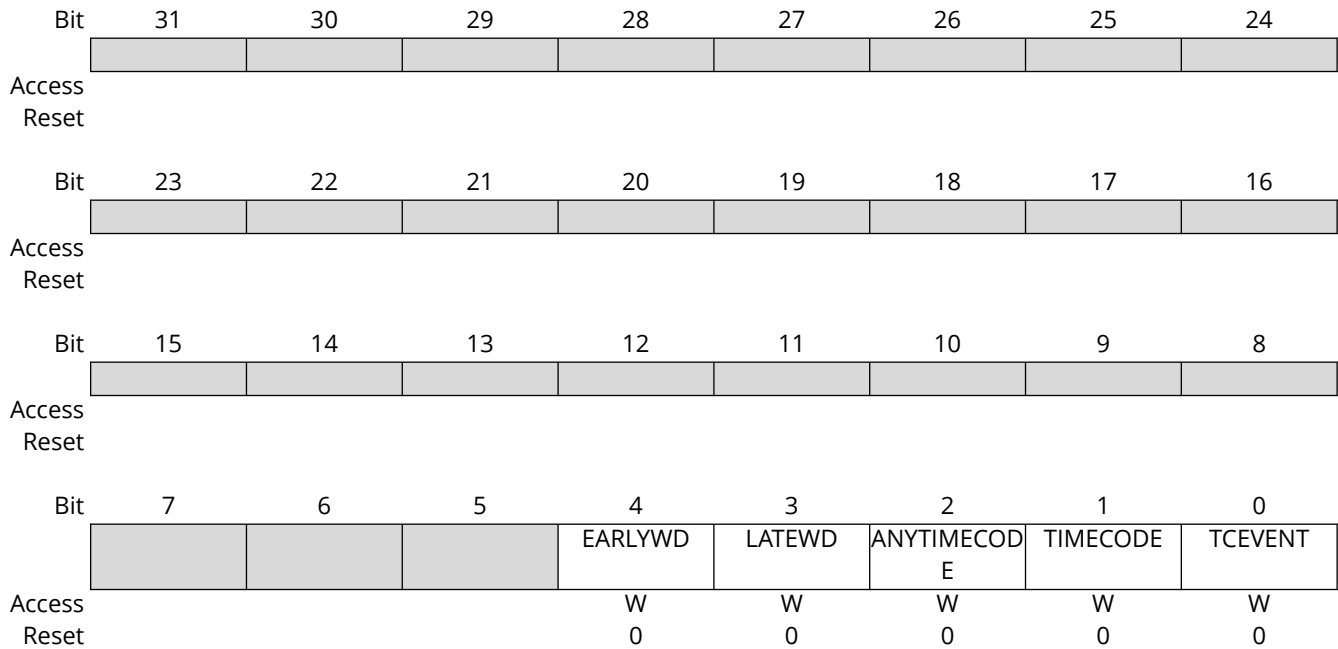
Value	Description
1	Time synchronization event, i.e., valid Time Code received or internal event triggered time code to send.

#### Bit 0 - TCEVENT TcEvent

Value	Description
1	Tc Event triggered.

### 36.8.80 Spw Tch Interrupt Clear Mask

**Name:** SPW\_TCH\_IM\_C  
**Offset:** 0x0E9C  
**Reset:** 0x00000000  
**Property:** Write-only



#### Bit 4 - EARLYWD Early Watchdog

Value	Description
1	Early Watchdog triggered.

#### Bit 3 - LATEWD Late Watchdog

Value	Description
1	Late Watchdog triggered.

#### Bit 2 - ANYTIMECODE Any Time Code

Value	Description
1	Any Time Code arrived.

#### Bit 1 - TIMECODE Time Code

Value	Description
1	Time synchronization event, i.e., valid Time Code received or internal event triggered time code to send.

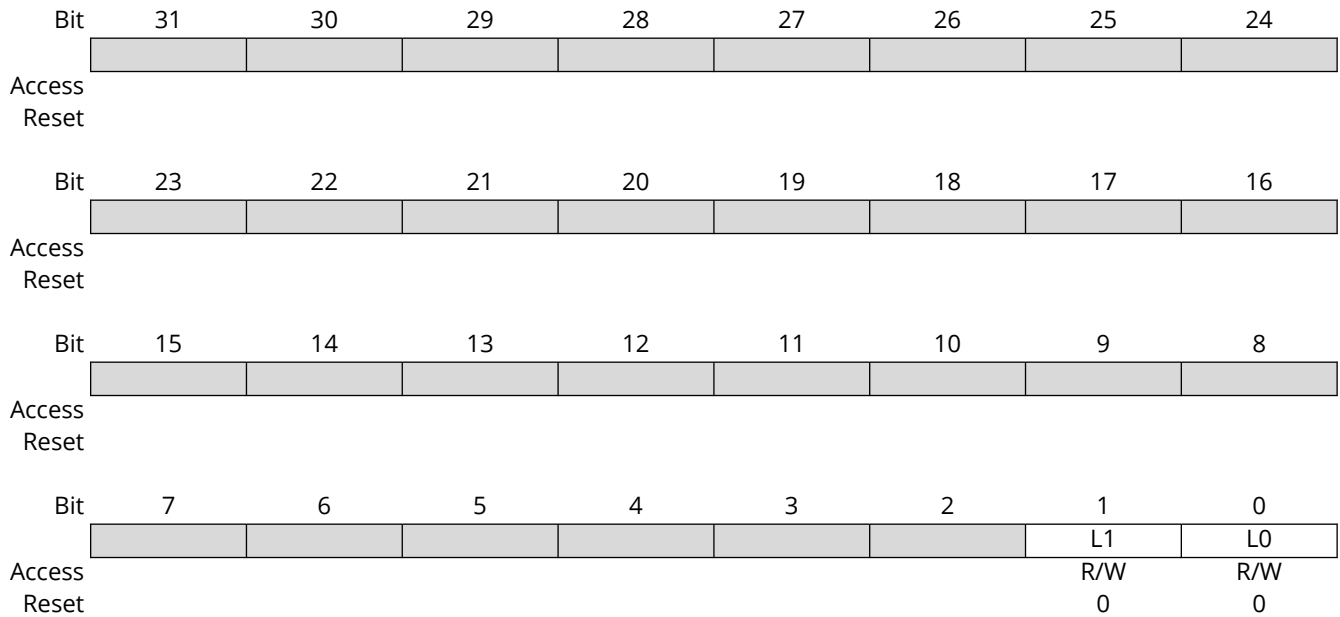
#### Bit 0 - TCEVENT TcEvent

Value	Description
1	Tc Event triggered.



### 36.8.81 Spw Tch Config Listener

**Name:** SPW\_TCH\_CFGLISTEN  
**Offset:** 0x0EA0  
**Reset:** 0x00000000  
**Property:** Read/Write

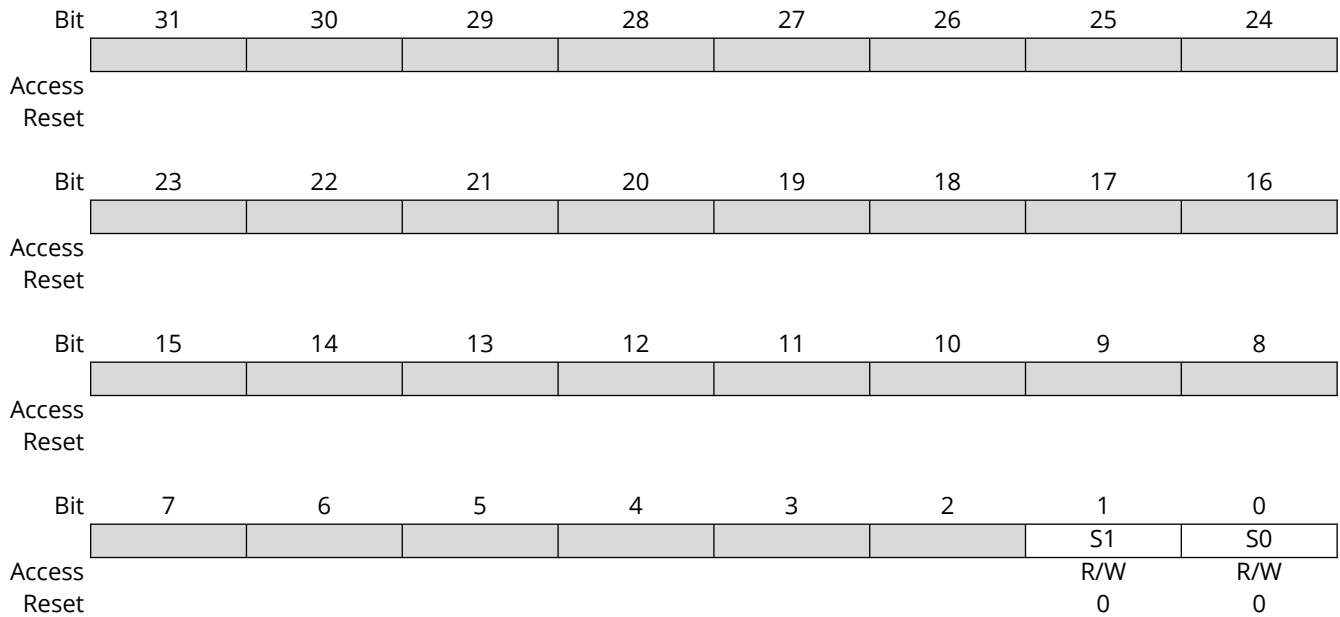


#### Bits 0, 1 – Lx Listen x

Value	Description
1	Listen to corresponding link.

### 36.8.82 Spw Tch Config Sender

**Name:** SPW\_TCH\_CFGSEND  
**Offset:** 0x0EA4  
**Reset:** 0x00000000  
**Property:** Read/Write

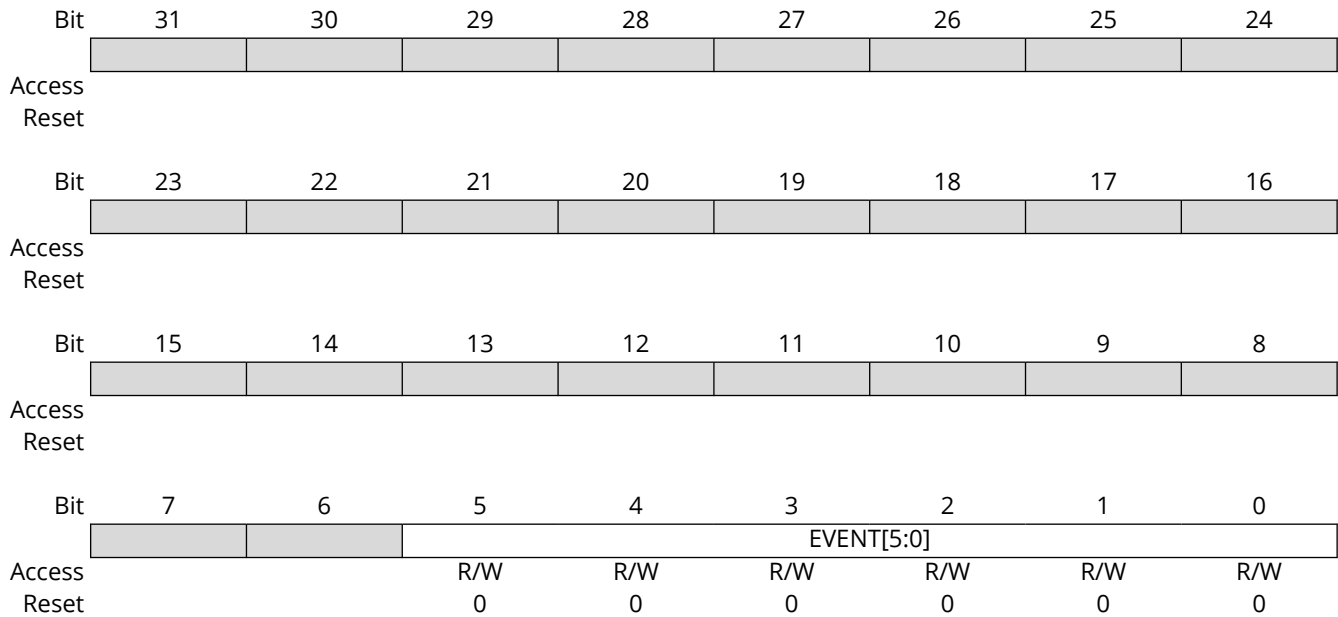


#### Bits 0, 1 – Sx Send x

Value	Description
1	Send to corresponding link.

### 36.8.83 Spw Tch Config

**Name:** SPW\_TCH\_CFG  
**Offset:** 0x0EA8  
**Reset:** 0x00000000  
**Property:** Read/Write



#### Bits 5:0 – EVENT[5:0] Event

Event source for Master mode.

Description	
Event [5:0]	Internal Signal Event
Bit 0	RTCOUT0
Bit 1	RTCOUT1
Bit 2	Reserved
Bit 3	Reserved
Bit 4	Reserved

### 36.8.84 Spw Tch Config Restart

**Name:** SPW\_TCH\_CFGRESTART  
**Offset:** 0x0EAC  
**Reset:** 0x00000000  
**Property:** Read/Write

Bit	31	30	29	28	27	26	25	24
Access								
Reset								
Bit	23	22	21	20	19	18	17	16
Access								
Reset								
Bit	15	14	13	12	11	10	9	8
Access	ONESHOT	PPS	EVENT[5:0]					
Reset	R/W	R/W	R/W	R/W	R/W	R/W	R/W	R/W
Reset	0	0	0	0	0	0	0	0
Bit	7	6	5	4	3	2	1	0
Access			VALUE[5:0]					
Reset			R/W	R/W	R/W	R/W	R/W	R/W
Reset			0	0	0	0	0	0

#### Bit 15 - ONESHOT One Shot

Value	Description
1	Clears this register after restart event.

#### Bit 14 - PPS Pps

Value	Description
1	Uses Pps input as event source for restart.

#### Bits 13:8 - EVENT[5:0] Event

Uses Event input as event source for restart.

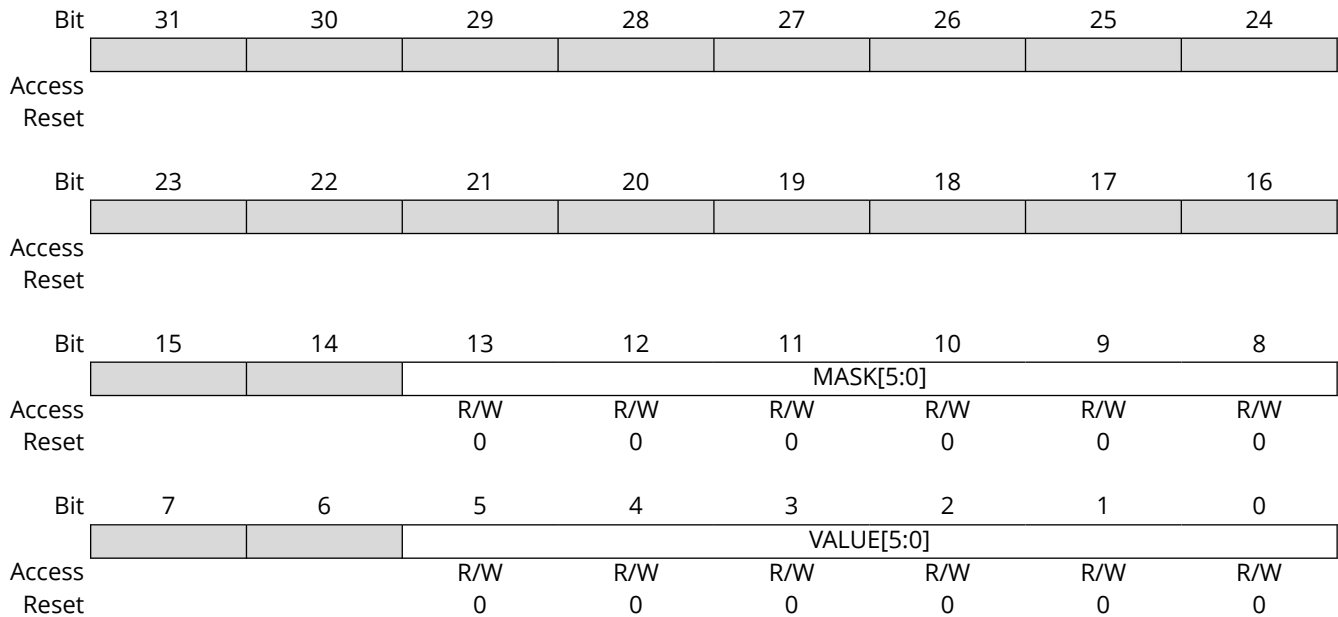
Description	
Event [5:0]	Internal Signal Event
Bit 0	RTCOUT0
Bit 1	RTCOUT1
Bit 2	Reserved
Bit 3	Reserved
Bit 4	Reserved

#### Bits 5:0 - VALUE[5:0] Value

Time Code value to set at restart event.

### 36.8.85 Spw Tch Config Tc Event

**Name:** SPW\_TCH\_CFGTCEVENT  
**Offset:** 0x0EB0  
**Reset:** 0x00000000  
**Property:** Read/Write



**Bits 13:8 – MASK[5:0]** Mask  
Bits of new Time Code to check.

**Bits 5:0 – VALUE[5:0]** Value  
Value used to check the new Time Code.

### 36.8.86 Spw Tch Config Watchdog

**Name:** SPW\_TCH\_CFGWD  
**Offset:** 0x0EB4  
**Reset:** 0x00000000  
**Property:** Read/Write

Bit	31	30	29	28	27	26	25	24
	EARLY[15:8]							
Access	R/W	R/W	R/W	R/W	R/W	R/W	R/W	R/W
Reset	0	0	0	0	0	0	0	0
Bit	23	22	21	20	19	18	17	16
	EARLY[7:0]							
Access	R/W	R/W	R/W	R/W	R/W	R/W	R/W	R/W
Reset	0	0	0	0	0	0	0	0
Bit	15	14	13	12	11	10	9	8
	LATE[15:8]							
Access	R/W	R/W	R/W	R/W	R/W	R/W	R/W	R/W
Reset	0	0	0	0	0	0	0	0
Bit	7	6	5	4	3	2	1	0
	LATE[7:0]							
Access	R/W	R/W	R/W	R/W	R/W	R/W	R/W	R/W
Reset	0	0	0	0	0	0	0	0

#### Bits 31:16 – EARLY[15:0] Early

N: Time code before N ticks triggers watchdog.

Value	Description
0	Early watchdog disabled.

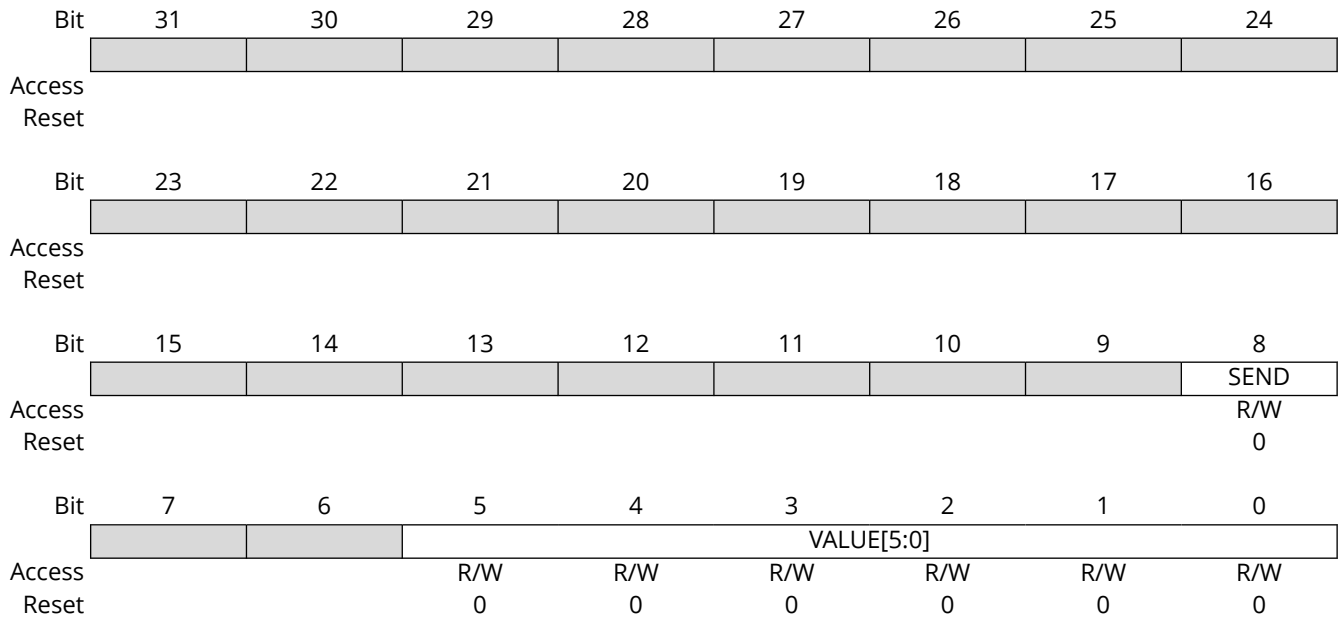
#### Bits 15:0 – LATE[15:0] Late

N: No Time code before N ticks triggers watchdog.

Value	Description
0	Late watchdog disabled.

### 36.8.87 Spw Tch Last Time Code

**Name:** SPW\_TCH\_LASTTIMECODE  
**Offset:** 0x0EB8  
**Reset:** 0x00000000  
**Property:** Read/Write



#### Bit 8 – SEND Send Now

Value	Description
0	Just change value when written.
1	Send Time Code value when written.

#### Bits 5:0 – VALUE[5:0] Value

Last Time Code distributed.

### 36.8.88 Spw Tch Software Reset

**Name:** SPW\_TCH\_SWRESET  
**Offset:** 0x0EBC  
**Reset:** 0x00000000  
**Property:** Read/Write

Bit	31	30	29	28	27	26	25	24
	PATTERN[31:24]							
Access	R/W	R/W	R/W	R/W	R/W	R/W	R/W	R/W
Reset	0	0	0	0	0	0	0	0
Bit	23	22	21	20	19	18	17	16
	PATTERN[23:16]							
Access	R/W	R/W	R/W	R/W	R/W	R/W	R/W	R/W
Reset	0	0	0	0	0	0	0	0
Bit	15	14	13	12	11	10	9	8
	PATTERN[15:8]							
Access	R/W	R/W	R/W	R/W	R/W	R/W	R/W	R/W
Reset	0	0	0	0	0	0	0	0
Bit	7	6	5	4	3	2	1	0
	PATTERN[7:0]							
Access	R/W	R/W	R/W	R/W	R/W	R/W	R/W	R/W
Reset	0	0	0	0	0	0	0	0

**Bits 31:0 – PATTERN[31:0]** Pattern  
 4D61\_6A6F: Arm reset.  
 7254\_6F6D: Trigger reset, if armed.  
 Others: Clear Arm



### 36.8.89 SpW Group Interrupt Status 1

**Name:** SPW\_GROUP\_IRQSTS1  
**Offset:** 0x0F00  
**Reset:** 0x00000000  
**Property:** Read-only

Bit	31	30	29	28	27	26	25	24
Access								
Reset								
Bit	23	22	21	20	19	18	17	16
Access								TCH
Reset								R 0
Bit	15	14	13	12	11	10	9	8
Access	RX1							
Reset	R 0							
Bit	7	6	5	4	3	2	1	0
Access	TX1							
Reset	R 0							

#### Bit 16 - TCH Time Code Handler

Value	Description
1	Time Code Handler

#### Bit 15 - RX1

Value	Description
1	RX1

#### Bit 7 - TX1

Value	Description
1	TX1

### 36.8.90 SpW Group Interrupt Status 2

**Name:** SPW\_GROUP\_IRQSTS2  
**Offset:** 0x0F04  
**Reset:** 0x00000000  
**Property:** Read-only

Bit	31	30	29	28	27	26	25	24
Access								
Reset								
Bit	23	22	21	20	19	18	17	16
Access	Di1	Dia1	Link1	Di2	Dia2	Link2		
Reset	R	R	R	R	R	R		
Reset	0	0	0	0	0	0		
Bit	15	14	13	12	11	10	9	8
Access								
Reset								
Bit	7	6	5	4	3	2	1	0
Access								
Reset								

#### Bit 23 – Di1 Distributed Interrupt 1

Value	Description
1	Distributed Interrupt, Link 1.

#### Bit 22 – Dia1 Distributed Interrupt Acknowledge, Link 1

Value	Description
1	Distributed Interrupt Acknowledge, Link 1.

#### Bit 21 – Link1 Link 1

Value	Description
1	Link handler, Link 1

#### Bit 20 – Di2 Distributed Interrupt 2

Value	Description
1	Distributed Interrupt, Link 2.

#### Bit 19 – Dia2 Distributed Interrupt Acknowledge, Link 2

Value	Description
1	Distributed Interrupt Acknowledge, Link 2.

#### Bit 18 – Link2 Link 2

Value	Description
1	Link handler, Link 2.

### 36.8.91 SpW Group EDAC Status

**Name:** SPW\_GROUP\_EDACSTS  
**Offset:** 0x0F0C  
**Reset:** 0x00000000  
**Property:** Read-only

**Note:** This register is cleared on read.

Bit	31	30	29	28	27	26	25	24
Access								
Reset								
Bit	23	22	21	20	19	18	17	16
Access								
Reset								
Bit	15	14	13	12	11	10	9	8
	UNCORR[7:0]							
Access	R	R	R	R	R	R	R	R
Reset	0	0	0	0	0	0	0	0
Bit	7	6	5	4	3	2	1	0
	CORR[7:0]							
Access	R	R	R	R	R	R	R	R
Reset	0	0	0	0	0	0	0	0

**Bits 15:8 - UNCORR[7:0]** Uncorrectable Error  
 An uncorrectable error has been detected.

**Bits 7:0 - CORR[7:0]** Correction Count  
 Number of EDAC corrections made. Saturates at max.

## 37. Flexible Serial Communication Controller (FLEXCOM)

### 37.1 Description

The Flexible Serial Communication Controller (FLEXCOM) offers several serial communication protocols that are managed by the three submodules USART, SPI, and TWI.

The Universal Synchronous Asynchronous Receiver Transceiver (USART) provides one full-duplex universal synchronous asynchronous serial link. Data frame format is widely programmable (data length, parity, number of stop bits) to support a maximum of standards. The receiver implements parity error, framing error and overrun error detection. The receiver timeout enables handling variable-length frames and the transmitter timeguard facilitates communications with slow remote devices. Multidrop communications are also supported through address bit handling in reception and transmission.

The USART features three test modes: Remote Loopback, Local Loopback and Automatic Echo.

The USART supports specific operating modes providing interfaces on RS485. The hardware handshaking feature enables an out-of-band flow control by automatic management of the pins RTS and CTS.

The USART supports the connection to the DMA Controller, which enables data transfers to the transmitter and from the receiver. The DMAC provides chained buffer management without any intervention of the processor.

The Serial Peripheral Interface (SPI) circuit is a synchronous serial data link that provides communication with external devices in Master or Slave mode. It also enables communication between processors if an external processor is connected to the system.

The Serial Peripheral Interface is essentially a shift register that serially transmits data bits to other SPIs. During a data transfer, one SPI system acts as the “master” which controls the data flow, while the other devices act as “slaves” which have data shifted into and out by the master. Different CPUs can take turn being masters (multiple master protocol, contrary to single master protocol where one CPU is always the master while all of the others are always slaves). One master can simultaneously shift data into multiple slaves. However, only one slave can drive its output to write data back to the master at any given time.

A slave device is selected when the master asserts its NSS signal. If multiple slave devices exist, the master generates a separate slave select signal for each slave (NPCS).

The SPI system consists of two data lines and two control lines:

- Master Out Slave In (MOSI)—This data line supplies the output data from the master shifted into the input(s) of the slave(s).
- Master In Slave Out (MISO)—This data line supplies the output data from a slave to the input of the master. There may be no more than one slave transmitting data during any particular transfer.
- Serial Clock (SPCK)—This control line is driven by the master and regulates the flow of the data bits. The master can transmit data at a variety of baud rates; there is one SPCK pulse for each bit that is transmitted.
- Slave Select (NSS)—This control line allows slaves to be turned on and off by hardware.

The Two-wire Interface (TWI) interconnects components on a unique two-wire bus, made up of one clock line and one data line based on a byte-oriented transfer format. It can be used with any Two-wire Interface bus Serial EEPROM and I<sup>2</sup>C-compatible devices, such as a Real-Time Clock (RTC), Dot Matrix/Graphic LCD Controller and temperature sensor. The TWI is programmable as a master or a slave with sequential or single-byte access. Multiple master capability is supported.

Arbitration of the bus is performed internally and puts the TWI in Slave mode automatically if the bus arbitration is lost.

A configurable baud rate generator permits the output data rate to be adapted to a wide range of core clock frequencies.

The following table lists the compatibility level of any TWI in Master mode and a full I<sup>2</sup>C compatible device.

**Table 37-1.** TWI Compatibility with I<sup>2</sup>C Standard

I <sup>2</sup> C Standard	TWI
Standard mode speed (100 kHz)	Master, Multi-Master, Slave supported
Fast mode speed (400 kHz)	Master, Multi-Master, Slave supported
Fast mode Plus speed (1 MHz)	Master, Multi-Master, Slave supported
High-speed mode (3.4 MHz)	Slave supported
7- or 10-bit <sup>(1)</sup> Slave addressing	Supported
Repeated Start (Sr) condition	Supported
ACK and NACK management	Supported
Input filtering	Supported
Slope control	Not supported
Clock stretching	Supported

**Note:**

1. 10-bit support in Master mode only.

## 37.2 Embedded Characteristics

### 37.2.1 USART/UART Characteristics

- 16-data Transmit and Receive FIFOs
- Programmable Baud Rate Generator
- Baud Rate can be Independent of the Processor/Peripheral Clock
- Comparison Function on Received Character
- 5-bit to 9-bit Full-duplex Synchronous or Asynchronous Serial Communications
  - 1, 1.5 or 2 stop bits in Asynchronous mode or 1 or 2 stop bits in Synchronous mode
  - Parity generation and error detection
  - Framing error detection, overrun error detection
  - Digital filter on receive line
  - MSB- or LSB-first
  - Optional break generation and detection
  - By 8 or by 16 oversampling receiver frequency
  - Optional hardware handshaking RTS-CTS
  - Receiver timeout and transmitter timeguard
  - Optional Multidrop mode with address generation and detection
- RS485 with Driver Control Signal
- Test Modes
  - Remote loopback, local loopback, automatic echo
- Supports Connection of:
  - Two DMA Controller (DMAC) channels

- Offers buffer transfer without processor intervention
- Register Write Protection

### 37.2.2 SPI Characteristics

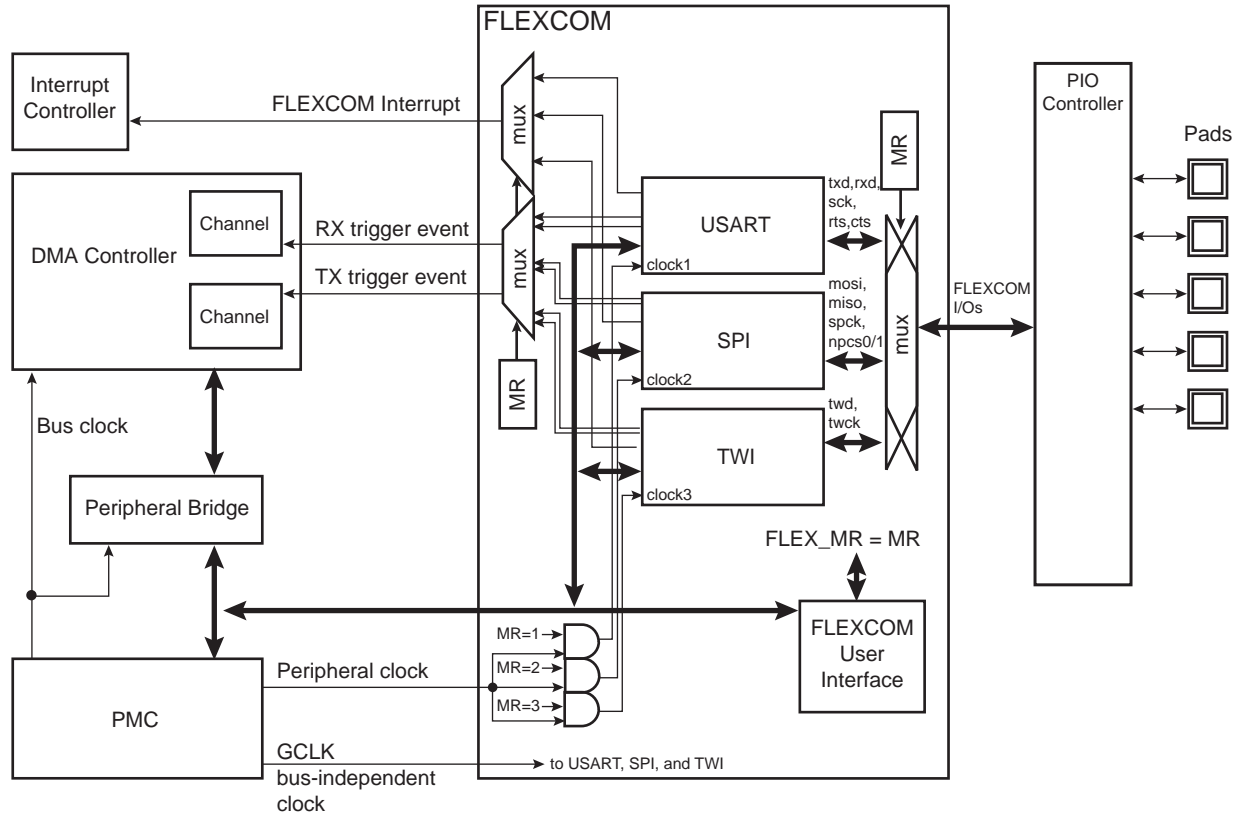
- 8-byte Transmit and Receive FIFOs
- Master or Slave Serial Peripheral Bus Interface
  - 8-bit to 16-bit programmable data length per chip select
  - Programmable phase and polarity per chip select
  - Programmable transfer delay between consecutive transfers and delay before SPI clock per chip select
  - Programmable delay between chip selects
- Selectable Mode Fault Detection
- Master Mode Can Drive SPCK up to Peripheral Clock
- Master Mode Bit Rate Can Be Independent of the Processor/Peripheral Clock
- Slave Mode Operates on SPCK, Asynchronously with Core and Bus Clock
- Four Chip Selects with External Decoder Support Allow Communication with up to 15Peripherals
- Communication with Serial External Devices Supported
  - Serial memories, such as DataFlash and 3-wire EEPROMs
  - Serial peripherals, such as ADCs, DACs, LCD controllers, CAN controllers and sensors
  - External coprocessors
- Connection to DMA Channel Capabilities, Optimizing Data Transfers
  - One channel for the receiver
  - One channel for the transmitter
- Register Write Protection

### 37.2.3 TWI/SMBus Characteristics

- 8-byte Transmit and Receive FIFOs
  - Bit Rate: Up to 400 kbit/s in Fast Mode and 3.4 Mbit/s in High-Speed Mode (Slave Only)
  - Bit Rate can be Independent of the Processor/Peripheral Clock
  - SMBus Support
  - Compatible with Two-wire Interface Serial Memory and I<sup>2</sup>C Compatible Devices<sup>(1)</sup>
  - Master and Multi-Master Operation (Standard and Fast Mode Only)
  - Slave Mode Operation (Standard, Fast and High-Speed Mode)
  - One, Two or Three Bytes for Slave Address
  - Sequential Read/Write Operations
  - General Call Supported in Slave Mode
  - Connection to DMA Controller Channels Optimizes Data Transfers
    - One Channel for the Receiver
    - One Channel for the Transmitter
  - Register Write Protection
- Note: 1. See table [TWI Compatibility with I<sup>2</sup>C Standard](#) for further details.

## 37.3 Block Diagram

Figure 37-1. FLEXCOM Block Diagram



## 37.4 I/O Lines Description

Table 37-2. I/O Lines Description

Name	Description			Type
	USART/JUART	SPI	TWI	
FLEXCOM_IO0	TXD	MOSI	TWD	I/O
FLEXCOM_IO1	RXD	MISO	TWCK	I/O
FLEXCOM_IO2	SCK	SPCK	-	I/O
FLEXCOM_IO3	CTS	NPCS0/NSS	-	I/O
FLEXCOM_IO4	RTS	NPCS1	-	O
FLEXCOM_IO5	-	NPCS2	-	O
FLEXCOM_IO6	-	NPCS3	-	O

## 37.5 Product Dependencies

### 37.5.1 I/O Lines

The pins used for interfacing the FLEXCOM are multiplexed with the PIO lines. The programmer must first program the PIO controller to assign the desired FLEXCOM pins to their peripheral function. If I/O lines of the FLEXCOM are not used by the application, they can be used for other purposes by the PIO Controller.

### 37.5.2 Power Management

The peripheral clock is not continuously provided to the FLEXCOM. The programmer must first enable the FLEXCOM Clock in the Power Management Controller (PMC) before using the USART or SPI or TWI.

### 37.5.3 Interrupt Sources

The FLEXCOM interrupt line is connected on one of the internal sources of the Interrupt Controller. Using the FLEXCOM interrupt requires the Interrupt Controller to be programmed first.

## 37.6 Register Accesses

Register accesses support 8-bit, 16-bit and 32-bit accesses, which means that only an 8-bit part of a 32-bit register can be written in one access, for instance. For this the access must be done with the right size at the right address.

8-bit, 16-bit and 32-bit accesses are supported for register accesses. However, a field in a register cannot be partially written (e.g., if a field is bigger than 8 bits, the whole field must be written).

This feature helps avoiding a read-modify-write process if only a small part of the register is to be modified.

## 37.7 USART Functional Description

### 37.7.1 Baud Rate Generator

The baud rate generator provides the bit period clock named “baud rate clock” to both the receiver and the transmitter.

Configuring the USCLKS field in FLEX\_US\_MR selects the baud rate generator clock from one of the following sources:

- the peripheral clock
- a division of the peripheral clock, the divider being product dependent, but generally set to 8
- a fully programmable generic clock (GCLK) provided by PMC and independent of processor/peripheral clock
- the external clock, available on the SCK pin

The baud rate generator is based upon a 16-bit divider, which is programmed with the CD field of the Baud Rate Generator Register (FLEX\_US\_BRGR). If a zero is written to CD, the baud rate generator does not generate any clock. If a one is written to CD, the divider is bypassed and becomes inactive.

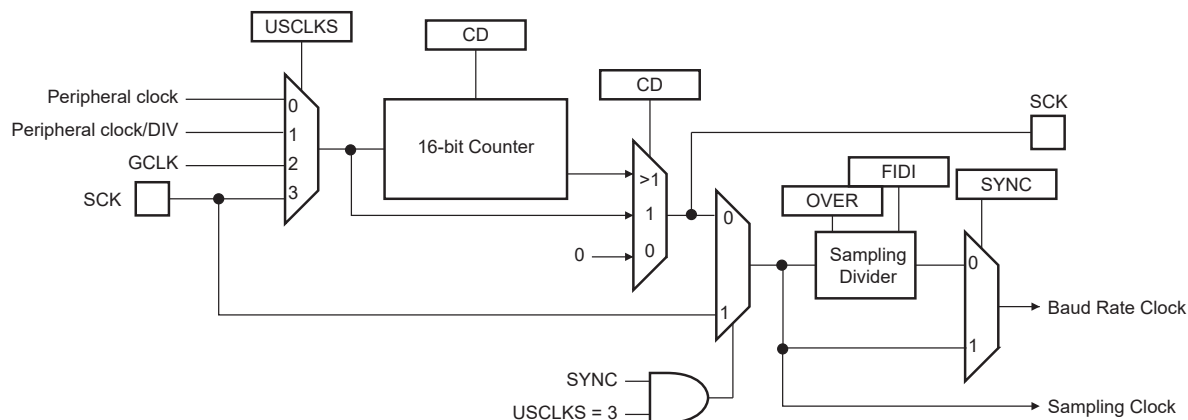
If the external SCK clock is selected, the duration of the low and high levels of the signal provided on the SCK pin must be longer than a peripheral clock period. The frequency of the signal provided on SCK must be at least three times lower than peripheral clock.

If GCLK is selected, the baud rate is independent of the processor/peripheral clock and thus processor/peripheral clock frequency can be changed without affecting the USART transfer. The GCLK frequency must be at least three times lower than peripheral clock frequency.

If GCLK is selected (USCLKS = 2) and the SCK pin is driven (CLKO = 1), the CD field must be greater than 1.



Figure 37-2. Baud Rate Generator



### 37.7.1.1 Baud Rate in Asynchronous Mode

If the USART is programmed to operate in Asynchronous mode, the selected clock is first divided by CD, which is field-programmed in FLEX\_US\_BRGR. The resulting clock is provided to the receiver as a sampling clock and then divided by 16 or 8, depending on the programming of FLEX\_US\_MR.OVER.

If OVER is set, the receiver sampling is eight times higher than the baud rate clock. If OVER is cleared, the sampling is performed at 16 times the baud rate clock.

The baud rate is calculated as per the following formula:

$$\text{Baud rate} = \frac{\text{Selected Clock}}{(8(2 - \text{OVER})\text{CD})}$$

This gives a maximum baud rate of peripheral clock divided by 8, assuming that peripheral clock is the highest possible clock and that the OVER bit is set.

#### 37.7.1.1.1 Baud Rate Calculation Example

The following table shows calculations of CD to obtain a baud rate at 38,400 bit/s for different source clock frequencies. It also shows the actual resulting baud rate and the error.

Table 37-3. Baud Rate Example (OVER = 0)

Source Clock (MHz)	Expected Baud Rate (bit/s)	Calculation Result	CD	Actual Baud Rate (bit/s)	Error
3,686,400	38,400	6.00	6	38,400.00	0.00%
4,915,200	38,400	8.00	8	38,400.00	0.00%
5,000,000	38,400	8.14	8	39,062.50	1.70%
7,372,800	38,400	12.00	12	38,400.00	0.00%
8,000,000	38,400	13.02	13	38,461.54	0.16%
12,000,000	38,400	19.53	20	37,500.00	2.40%
12,288,000	38,400	20.00	20	38,400.00	0.00%
14,318,180	38,400	23.30	23	38,908.10	1.31%
14,745,600	38,400	24.00	24	38,400.00	0.00%
18,432,000	38,400	30.00	30	38,400.00	0.00%
24,000,000	38,400	39.06	39	38,461.54	0.16%
24,576,000	38,400	40.00	40	38,400.00	0.00%
25,000,000	38,400	40.69	40	38,109.76	0.76%
32,000,000	38,400	52.08	52	38,461.54	0.16%
32,768,000	38,400	53.33	53	38,641.51	0.63%

.....continued

Source Clock (MHz)	Expected Baud Rate (bit/s)	Calculation Result	CD	Actual Baud Rate (bit/s)	Error
33,000,000	38,400	53.71	54	38,194.44	0.54%
40,000,000	38,400	65.10	65	38,461.54	0.16%
50,000,000	38,400	81.38	81	38,580.25	0.47%

The baud rate is calculated with the following formula:

$$\text{Baud rate} = \text{MCK} / \text{CD} \times 16$$

The baud rate error is calculated with the following formula. It is not recommended to work with an error higher than 5%.

$$\text{Error} = 1 - \left( \frac{\text{Expected Baud Rate}}{\text{Actual Baud Rate}} \right)$$

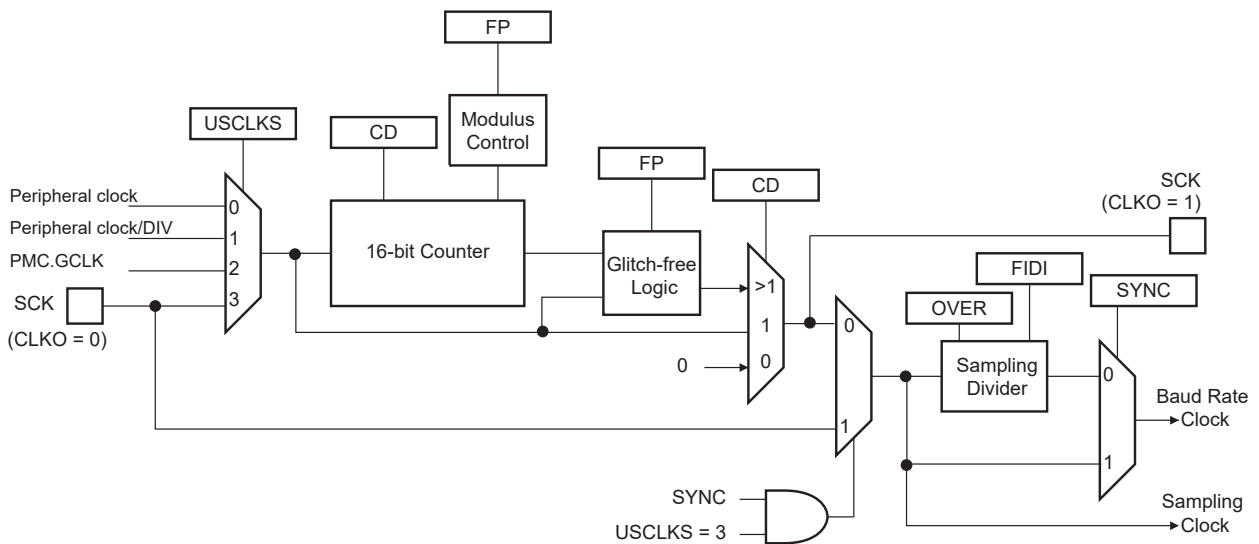
### 37.7.1.2 Fractional Baud Rate in Asynchronous Mode

The baud rate generator previously defined is subject to the following limitation: the output frequency changes by only integer multiples of the reference frequency. An approach to this problem is to integrate a fractional N clock generator that has a high resolution. The generator architecture is modified to obtain baud rate changes by a fraction of the reference source clock. This fractional part is programmed with the FP field in FLEX\_US\_BRGR. If FP is not 0, the fractional part is activated. The resolution is one eighth of the clock divider. The fractional baud rate is calculated using the following formula:

$$\text{Baud rate} = \frac{\text{Selected Clock}}{\left( 8(2 - \text{OVER}) \left( \text{CD} + \frac{\text{FP}}{8} \right) \right)}$$

The modified architecture is presented in the following figure.

**Figure 37-3.** Fractional Baud Rate Generator



When the value of field FP is greater than 0, the SCK (oversampling clock) generates nonconstant duty cycles. The SCK high duration is increased by “selected clock” period from time to time. The duty cycle depends on the value of the CD field.

### 37.7.1.3 Baud Rate in Synchronous Mode

If the USART is programmed to operate in Synchronous mode, the selected clock is simply divided by the CD field in FLEX\_US\_BRGR:

$$\text{Baud rate} = \frac{\text{Selected Clock}}{\text{CD}}$$

In Synchronous mode, if the external clock is selected (USCLKS = 3) and CLKO = 0 (Slave mode), the clock is provided directly by the signal on the USART SCK pin. No division is active. The value written in FLEX\_US\_BRGR has no effect. The external clock frequency must be at least three times lower than the system clock. In Synchronous mode master (USCLKS = 0 or 1, CLKO = 1), the receive part limits the SCK maximum frequency to  $f_{\text{peripheral clock}}/3$ .

When either the external clock SCK or the internal clock divided (peripheral clock/DIV or GCLK) is selected, the value programmed in CD must be even if the user has to ensure a 50:50 mark/space ratio on the SCK pin. If the peripheral clock is selected, the baud rate generator ensures a 50:50 duty cycle on the SCK pin, even if the value programmed in CD is odd.

### 37.7.2 Receiver and Transmitter Control

After reset, the receiver is disabled. The user must enable the receiver by setting the RXEN bit in the USART Control Register (FLEX\_US\_CR). However, the receiver registers can be programmed before the receiver clock is enabled.

After reset, the transmitter is disabled. The user must enable it by setting the TXEN bit in FLEX\_US\_CR. However, the transmitter registers can be programmed before being enabled.

The receiver and the transmitter can be enabled together or independently.

At any time, the software can perform a reset on the receiver or the transmitter of the USART by setting the corresponding bit, RSTRX and RSTTX respectively, in FLEX\_US\_CR. The software resets clear the status flag and reset internal state machines but the user interface configuration registers hold the value configured prior to software reset. Regardless of what the receiver or the transmitter is performing, the communication is immediately stopped.

The user can also independently disable the receiver or the transmitter by setting RXDIS and TXDIS respectively in FLEX\_US\_CR. If the receiver is disabled during a character reception, the USART waits until the end of reception of the current character, then the reception is stopped. If the transmitter is disabled while it is operating, the USART waits the end of transmission of both the current character and character being stored in the USART Transmit Holding Register (FLEX\_US\_THR). If a timeguard is programmed, it is handled normally.

### 37.7.3 Synchronous and Asynchronous Modes

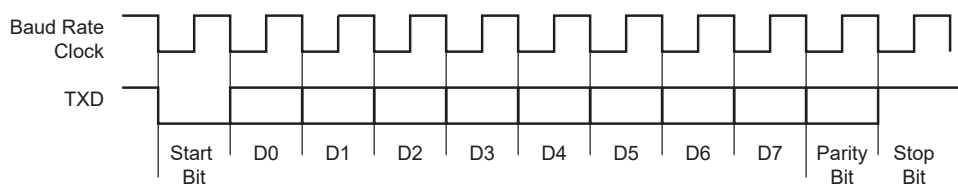
#### 37.7.3.1 Transmitter Operations

The transmitter performs the same in both Synchronous and Asynchronous operating modes (SYNC = 0 or SYNC = 1). One start bit, up to 9 data bits, 1 optional parity bit and up to 2 stop bits are successively shifted out on the TXD pin at each falling edge of the programmed serial clock.

The number of data bits is selected by the CHRL field and the MODE9 bit in FLEX\_US\_MR. Nine bits are selected by setting the MODE9 bit regardless of the CHRL field. The parity bit is set according to the PAR field in FLEX\_US\_MR. The even, odd, space, marked or none parity bit can be configured. The MSBF bit in FLEX\_US\_MR configures which data bit is sent first. If written to 1, the most significant bit is sent first. If written to 0, the less significant bit is sent first. The number of stop bits is selected by the NBSTOP field in FLEX\_US\_MR. The 1.5 stop bit is supported in Asynchronous mode only.

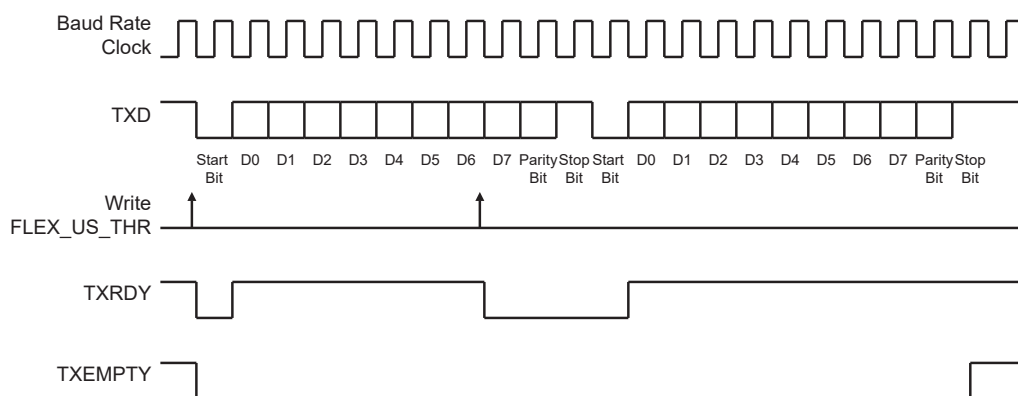
**Figure 37-4. Character Transmit**

Example: 8-bit, Parity Enabled One Stop



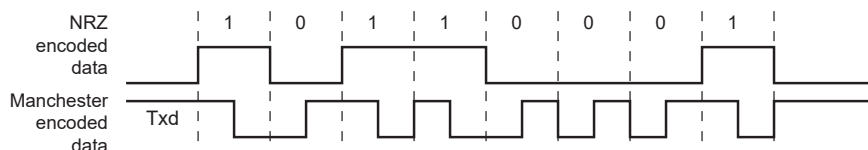
The characters are sent by writing in FLEX\_US\_THR. The transmitter reports two status bits in the USART Channel Status Register (FLEX\_US\_CSR): TXRDY (Transmitter Ready), which indicates that FLEX\_US\_THR is empty and TXEMPTY, which indicates that all the characters written in FLEX\_US\_THR have been processed. When the current character processing is completed, the last character written in FLEX\_US\_THR is transferred into the shift register of the transmitter and FLEX\_US\_THR is emptied, thus TXRDY rises.

Both TXRDY and TXEMPTY bits are low when the transmitter is disabled. Writing a character in FLEX\_US\_THR while TXRDY is low has no effect and the written character is lost.

**Figure 37-5. Transmitter Status**

### 37.7.3.2 Manchester Encoder

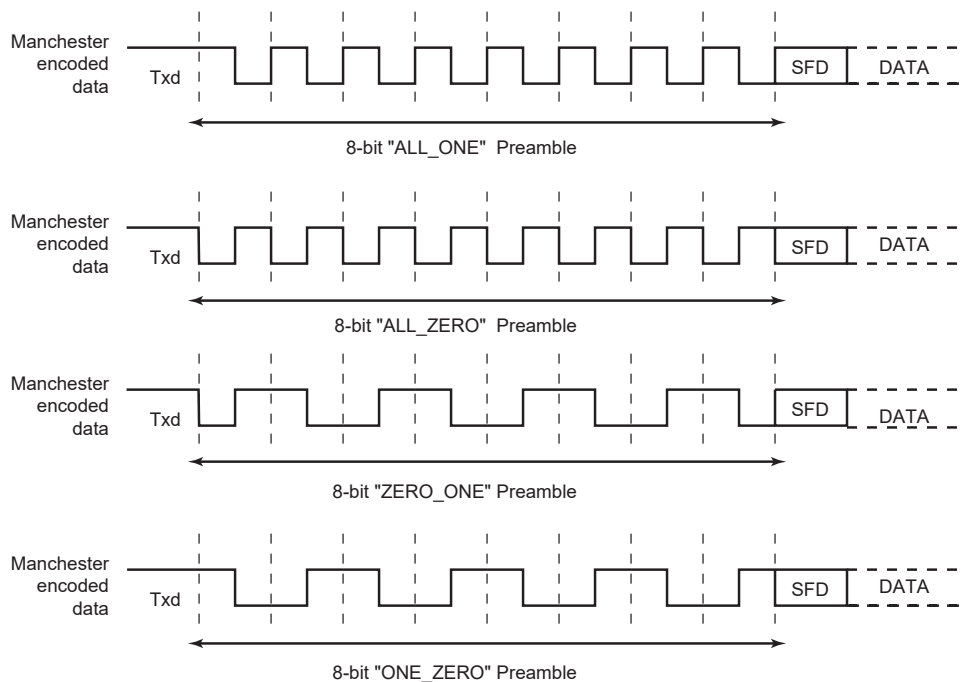
When the Manchester encoder is in use, characters transmitted through the USART are encoded based on biphase Manchester II format. To enable this mode, set the FLEX\_US\_MR.MAN bit to 1. Depending on polarity configuration, a logic level (zero or one), is transmitted as a coded signal one-to-zero or zero-to-one. Thus, a transition always occurs at the midpoint of each bit time. It consumes more bandwidth than the original NRZ signal (2x) but the receiver has more error control since the expected input must show a change at the center of a bit cell. An example of Manchester encoded sequence is: the byte 0xB1 or 10110001 encodes to 10 01 10 10 01 01 01 10, assuming the default polarity of the encoder. The following figure illustrates this coding scheme.

**Figure 37-6. NRZ to Manchester Encoding**

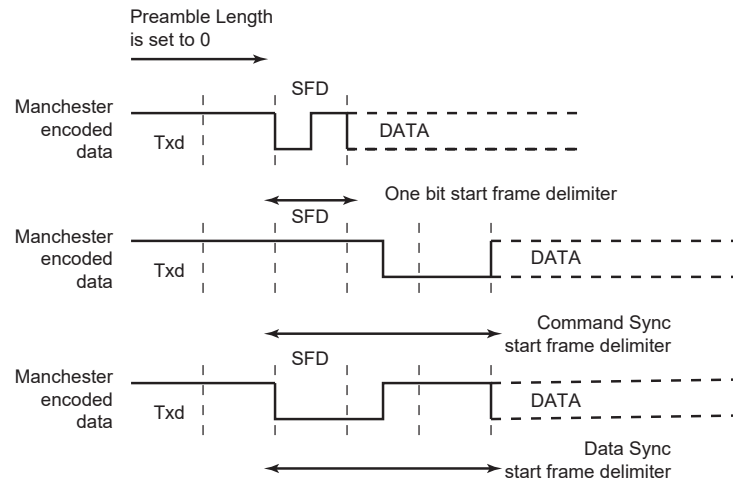
The Manchester encoded character can also be encapsulated by adding both a configurable preamble and a start frame delimiter pattern. Depending on the configuration, the preamble is a training sequence, composed of a predefined pattern with a programmable length from 1 to 15 bit times. If the preamble length is set to 0, the preamble waveform is not generated prior to any

character. The preamble pattern is chosen among the following sequences: ALL\_ONE, ALL\_ZERO, ONE\_ZERO or ZERO\_ONE, writing the FLEX\_US\_MAN.TX\_PP field. The TX\_PL field is used to configure the preamble length. The following figure illustrates and defines the valid patterns. To improve flexibility, the encoding scheme can be configured using the FLEX\_US\_MAN.TX\_MPOL bit. If the TX\_MPOL bit is set to zero (default), a logic zero is encoded with a zero-to-one transition and a logic one is encoded with a one-to-zero transition. If the TX\_MPOL bit is set to one, a logic one is encoded with a one-to-zero transition and a logic zero is encoded with a zero-to-one transition.

**Figure 37-7. Preamble Patterns, Default Polarity Assumed**

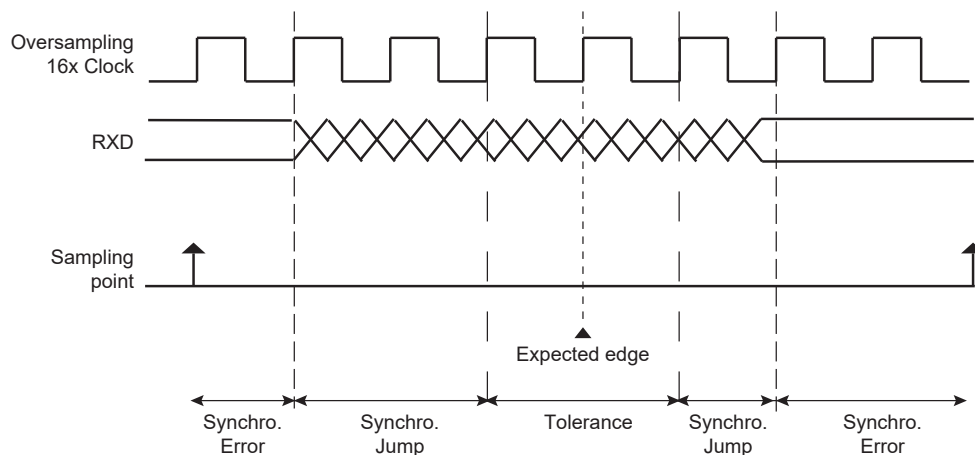


A start frame delimiter is to be configured using the FLEX\_US\_MR.ONEBIT bit. It consists of a user-defined pattern that indicates the beginning of a valid data. The following figure illustrates these patterns. If the start frame delimiter, also known as the start bit, is one bit, (ONEBIT = 1), a logic zero is Manchester encoded and indicates that a new character is being sent serially on the line. If the start frame delimiter is a synchronization pattern also referred to as sync (ONEBIT = 0), a sequence of three bit times is sent serially on the line to indicate the start of a new character. The sync waveform is in itself an invalid Manchester waveform as the transition occurs at the middle of the second bit time. Two distinct sync patterns are used: the command sync and the data sync. The command sync has a logic one level for one and a half bit times, then a transition to logic zero for the second one and a half bit times. If the FLEX\_US\_MR.MODSYNC bit is set to 1, the next character is a command. If it is set to 0, the next character is a data. When direct memory access is used, the MODSYNC bit can be immediately updated with a modified character located in memory. To enable this mode, the FLEX\_US\_MR.VAR\_SYNC bit must be set. In this case, the FLEX\_US\_MR.MODSYNC bit is bypassed and the sync configuration is held in the FLEX\_US\_THR.TXSYNH bit. The USART character format is modified and includes sync information.

**Figure 37-8. Start Frame Delimiter**

### 37.7.3.2.1 Drift Compensation

Drift compensation is available only in 16X Oversampling mode. An hardware recovery system allows a larger clock drift. To enable the hardware system, the bit in the FLEX\_US\_MAN register must be set. If the RXD edge is one 16X clock cycle from the expected edge, this is considered as normal jitter and no corrective actions is taken. If the RXD event is between 4 and 2 clock cycles before the expected edge, then the current period is shortened by one clock cycle. If the RXD event is between 2 and 3 clock cycles after the expected edge, then the current period is lengthened by one clock cycle. These intervals are considered to be drift and so corrective actions are automatically taken.

**Figure 37-9. Bit Resynchronization**

### 37.7.3.3 Asynchronous Receiver

If the USART is programmed in Asynchronous operating mode (SYNC = 0), the receiver oversamples the RXD input line. The oversampling is either 16 or 8 times the baud rate clock, depending on the FLEX\_US\_MR.OVER bit.

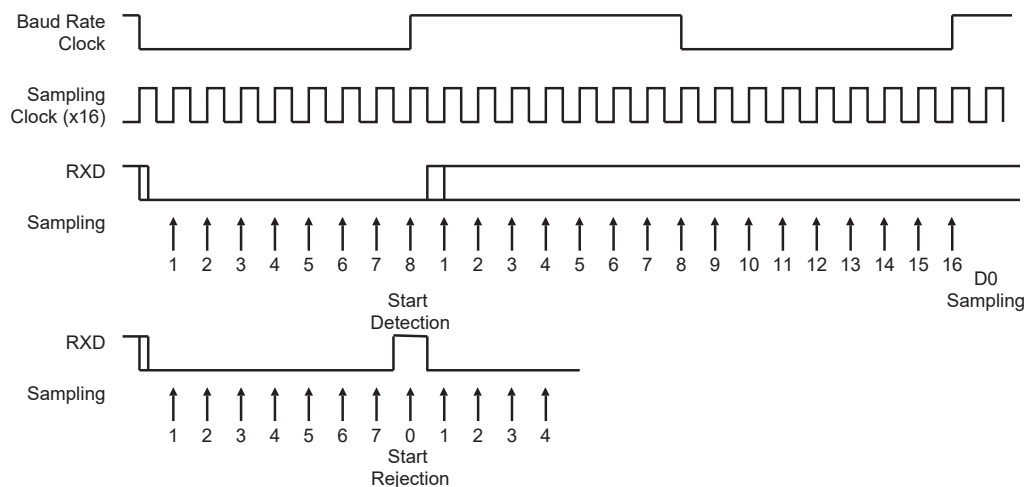
The receiver samples the RXD line. If the line is sampled during one half of a bit time to 0, a start bit is detected and data, parity and stop bits are successively sampled on the bit rate clock.

If the oversampling is 16 (OVER = 0), a start is detected at the eighth sample to 0. Data bits, parity bit and stop bit are assumed to have a duration corresponding to 16 oversampling clock cycles. If the oversampling is 8 (OVER = 1), a start bit is detected at the fourth sample to 0. Data bits, parity bit and stop bit are assumed to have a duration corresponding to 8 oversampling clock cycles.

The number of data bits, first bit sent and Parity mode are selected by the same fields and bits as the transmitter, i.e., respectively CHRL, MODE9, MSBF and PAR. For the synchronization mechanism only, the number of stop bits has no effect on the receiver as it considers only one stop bit, regardless of the NBSTOP field, so that resynchronization between the receiver and the transmitter can occur. Moreover, as soon as the stop bit is sampled, the receiver starts looking for a new start bit so that resynchronization can also be accomplished when the transmitter is operating with one stop bit.

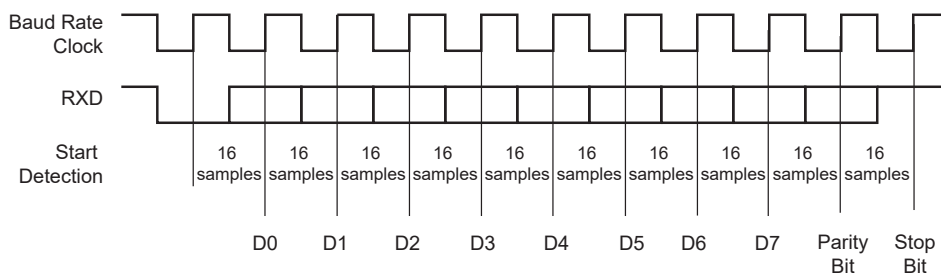
The following figures illustrate start detection and character reception when USART operates in Asynchronous mode.

**Figure 37-10.** Asynchronous Start Detection



**Figure 37-11.** Asynchronous Character Reception

Example: 8-bit, Parity Enabled



### 37.7.3.4 Manchester Decoder

When the FLEX\_US\_MR.MAN bit is set, the Manchester decoder is enabled. The decoder performs both preamble and start frame delimiter detection. One input line is dedicated to Manchester encoded input data.

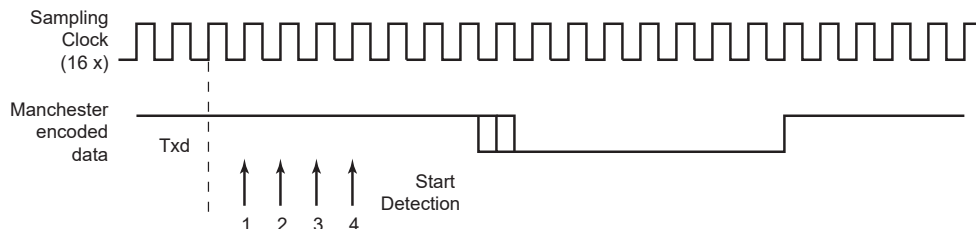
An optional preamble sequence can be defined. Its length is user-defined and totally independent of the transmitter side. Use the FLEX\_US\_MAN.RX\_PL field to configure the length of the preamble sequence. If the length is set to 0, no preamble is detected and the function is disabled. In addition, the polarity of the input stream is programmable with the FLEX\_US\_MAN.RX\_MPOL bit. Depending on the desired application, the preamble pattern matching is to be defined via the FLEX\_US\_MAN.RX\_PP field. See figure [Preamble Patterns, Default Polarity Assumed](#) for available preamble patterns.

Unlike preamble, the start frame delimiter is shared between Manchester Encoder and Decoder. So, if ONEBIT bit = 1, only a zero encoded Manchester can be detected as a valid start frame delimiter.

If ONEBIT = 0, only a sync pattern is detected as a valid start frame delimiter. Decoder operates by detecting transition on incoming stream. If RXD is sampled during one quarter of a bit time to zero, a start bit is detected. See the following figure. The sample pulse rejection mechanism applies.

The FLEX\_US\_MAN.RXIDLEV bit informs the USART of the receiver line idle state value (receiver line inactive). The user must define RXIDLEV to ensure reliable synchronization. By default, RXIDLEV is set to one (receiver line is at level 1 when there is no activity).

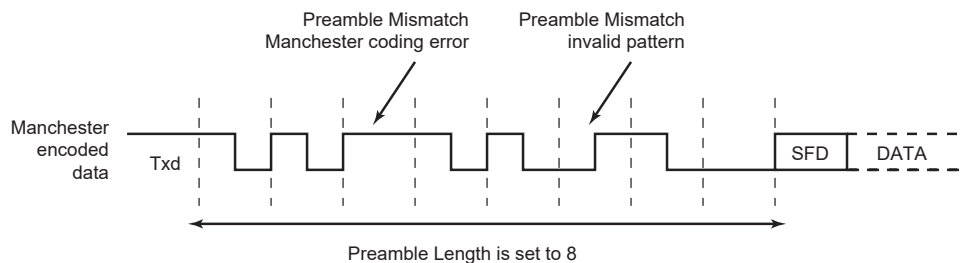
**Figure 37-12.** Asynchronous Start Bit Detection



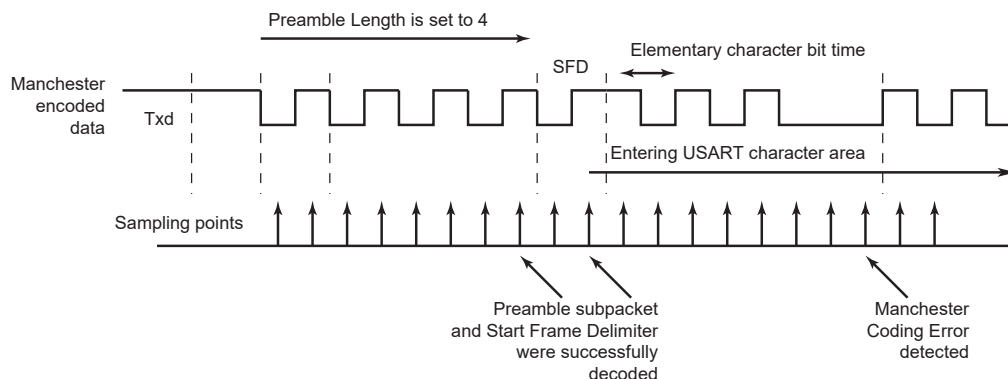
The receiver is activated and starts preamble and frame delimiter detection, sampling the data at one quarter and then three quarters. If a valid preamble pattern or start frame delimiter is detected, the receiver continues decoding with the same synchronization. If the stream does not match a valid pattern or a valid start frame delimiter, the receiver resynchronizes on the next valid edge. The minimum time threshold to estimate the bit value is three quarters of a bit time.

If a valid preamble (if used) followed with a valid start frame delimiter is detected, the incoming stream is decoded into NRZ data and passed to USART for processing. The following figure illustrates Manchester pattern mismatch. When incoming data stream is passed to the USART, the receiver is also able to detect Manchester code violation. A code violation is a lack of transition in the middle of a bit cell. In this case, the MANE flag in FLEX\_US\_CSR is raised. It is cleared by writing a one to FLEX\_US\_CR.RSTSTA. See figure "Manchester Error Flag" below for an example of Manchester error detection during the data phase.

**Figure 37-13.** Preamble Pattern Mismatch



**Figure 37-14.** Manchester Error Flag





When the start frame delimiter is a sync pattern (ONEBIT = 0), both command and data delimiter are supported. If a valid sync is detected, the received character is written as RXCHR field in the Receive Holding Register (FLEX\_US\_RHR) and the RXSYNH is updated. RXCHR is set to 1 when the received character is a command, and it is set to 0 if the received character is a data. This mechanism alleviates and simplifies the direct memory access as the character contains its own sync field in the same register.

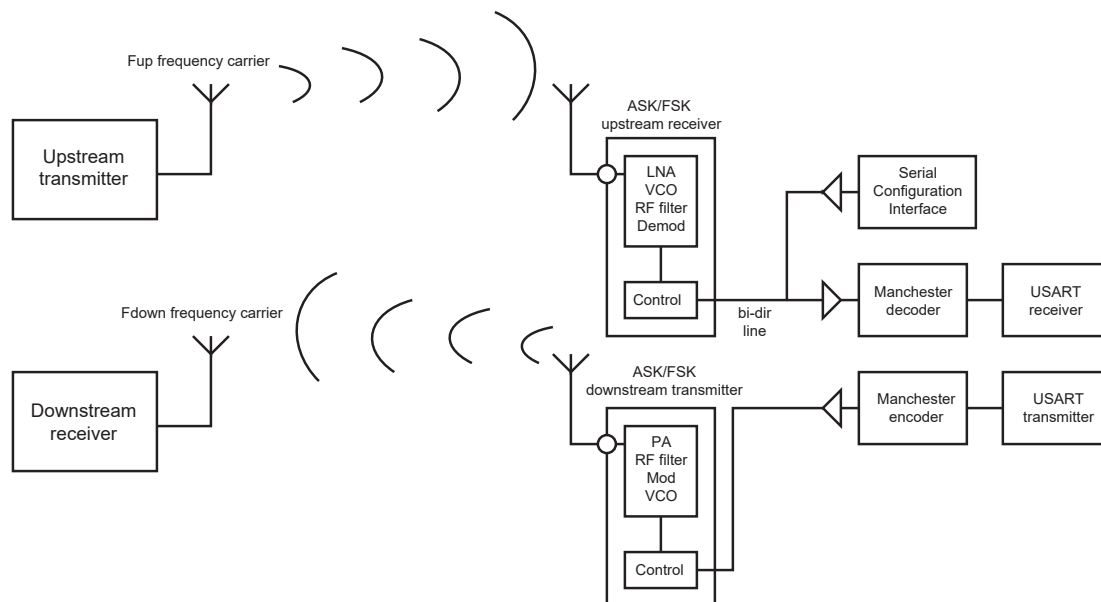
As the decoder is setup to be used in Unipolar mode, the first bit of the frame has to be a zero-to-one transition.

### 37.7.3.5 Radio Interface: Manchester Encoded USART Application

This section describes low data rate RF transmission systems and their integration with a Manchester encoded USART. These systems are based on transmitter and receiver ICs that support ASK and FSK modulation schemes.

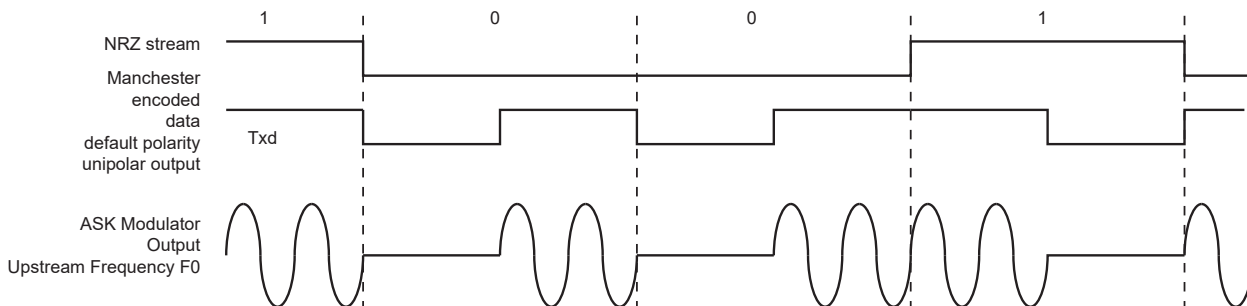
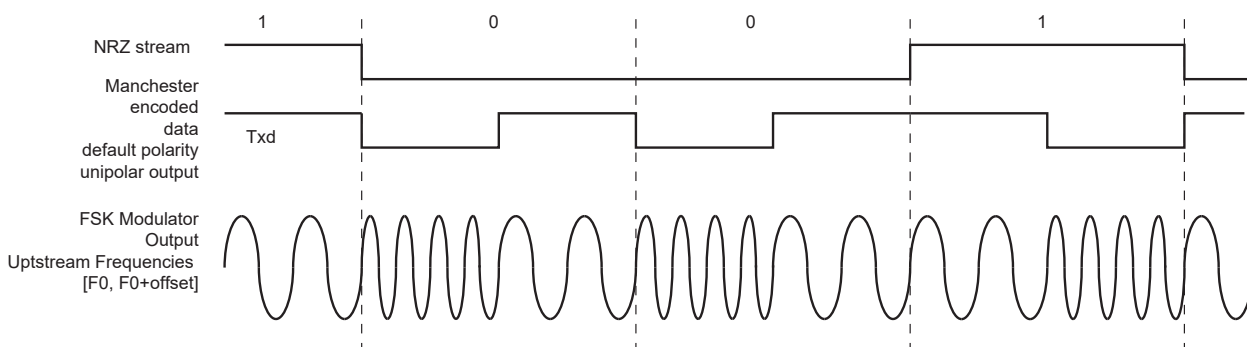
The goal is to perform full-duplex radio transmission of characters using two different frequency carriers. See configuration in the following figure.

**Figure 37-15.** Manchester Encoded Characters RF Transmission



The USART peripheral is configured as a Manchester encoder/decoder. Looking at the downstream communication channel, Manchester encoded characters are serially sent to the RF transmitter. This may also include a user defined preamble and a start frame delimiter. Mostly, preamble is used in the RF receiver to distinguish between a valid data from a transmitter and signals due to noise. The Manchester stream is then modulated. See the following figure for an example of ASK modulation scheme. When a logic one is sent to the ASK modulator, the power amplifier, referred to as PA, is enabled and transmits an RF signal at downstream frequency. When a logic zero is transmitted, the RF signal is turned off. If the FSK modulator is activated, two different frequencies are used to transmit data. When a logic 1 is sent, the modulator outputs an RF signal at frequency F0 and switches to F1 if the data sent is a 0. See figure "FSK Modulator Output" below.

From the receiver side, another carrier frequency is used. The RF receiver performs a bit check operation examining demodulated data stream. If a valid pattern is detected, the receiver switches to Receiving mode. The demodulated stream is sent to the Manchester decoder. Because of bit checking inside RF IC, the data transferred to the microcontroller is reduced by a user-defined number of bits. The Manchester preamble length is to be defined in accordance with the RF IC configuration.

**Figure 37-16. ASK Modulator Output****Figure 37-17. FSK Modulator Output**

### 37.7.3.6 Synchronous Receiver

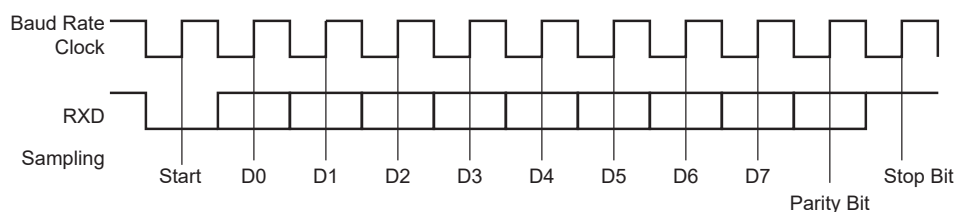
In Synchronous mode (SYNC = 1), the receiver samples the RXD signal on each rising edge of the baud rate clock. If a low level is detected, it is considered as a start. All data bits, the parity bit and the stop bits are sampled and the receiver waits for the next start bit. Synchronous mode operations provide a high-speed transfer capability.

Configuration fields and bits are the same as in Asynchronous mode.

The following figure illustrates a character reception in Synchronous mode.

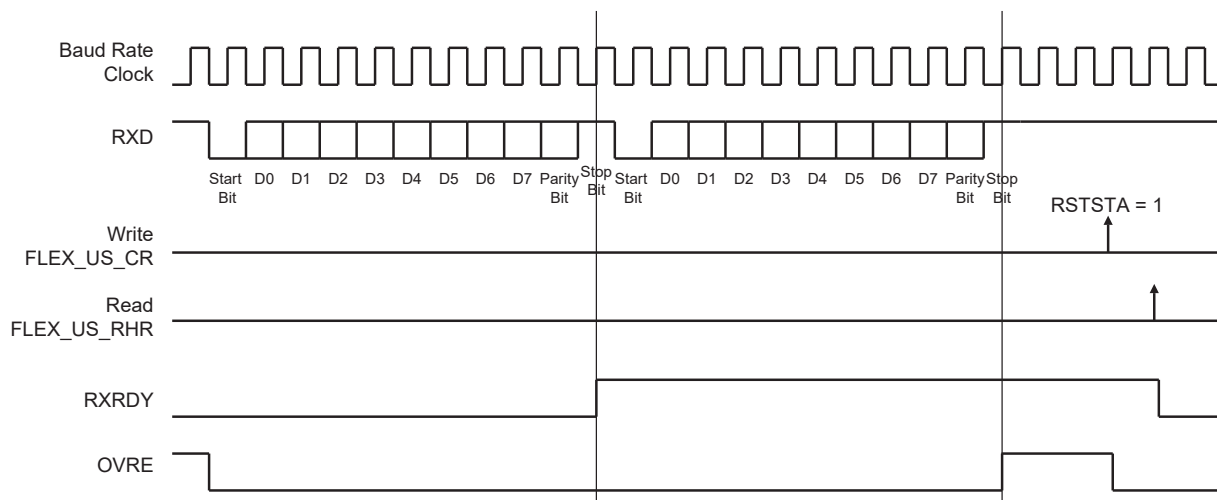
**Figure 37-18. Synchronous Mode Character Reception**

Example: 8-bit, Parity Enabled 1 Stop



### 37.7.3.7 Receiver Operations

When a character reception is completed, it is transferred to the Receive Holding Register (FLEX\_US\_RHR) and the FLEX\_US\_CSR.RXRDY bit is raised. If a character is completed while the RXRDY is set, the Overrun Error (OVRE) bit is set. The last character is transferred into FLEX\_US\_RHR and overwrites the previous one. The OVRE bit is cleared by writing a one to Reset Status bit FLEX\_US\_CR.RSTSTA.

**Figure 37-19.** Receiver Status

### 37.7.3.8 Parity

The USART supports five parity modes that are selected by writing to the FLEX\_US\_MR.PAR field. The PAR field also enables the Multidrop mode (see section [Multidrop Mode](#)). Even and odd parity bit generation and error detection are supported.

If even parity is selected, the parity generator of the transmitter drives the parity bit to 0 if a number of 1s in the character data bit is even, and to 1 if the number of 1s is odd. Accordingly, the receiver parity checker counts the number of received 1s and reports a parity error if the sampled parity bit does not correspond. If odd parity is selected, the parity generator of the transmitter drives the parity bit to 1 if a number of 1s in the character data bit is even, and to 0 if the number of 1s is odd. Accordingly, the receiver parity checker counts the number of received 1s and reports a parity error if the sampled parity bit does not correspond. If the mark parity is used, the parity generator of the transmitter drives the parity bit to 1 for all characters. The receiver parity checker reports an error if the parity bit is sampled to 0. If the space parity is used, the parity generator of the transmitter drives the parity bit to 0 for all characters. The receiver parity checker reports an error if the parity bit is sampled to 1. If parity is disabled, the transmitter does not generate any parity bit and the receiver does not report any parity error.

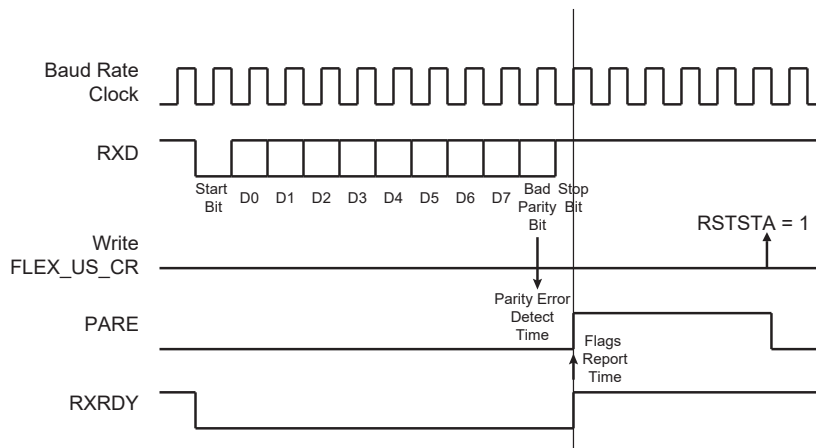
The following table shows an example of the parity bit for the character 0x41 (character ASCII "A") depending on the configuration of the USART. Because there are two bits set to 1 in the character value, the parity bit is set to 1 when the parity is odd, or configured to 0 when the parity is even.

**Table 37-4.** Parity Bit Examples

Character	Hexadecimal	Binary	Parity Bit	Parity Mode
A	0x41	0100 0001	1	Odd
A	0x41	0100 0001	0	Even
A	0x41	0100 0001	1	Mark
A	0x41	0100 0001	0	Space
A	0x41	0100 0001	None	None

When the receiver detects a parity error, it sets the Parity Error bit FLEX\_US\_CSR.PARE. The PARE bit can be cleared by writing a one to the FLEX\_US\_CR.RSTSTA bit. The following figure illustrates the parity bit status setting and clearing.

Figure 37-20. Parity Error



### 37.7.3.9 Multidrop Mode

If the value 0x6 or 0x07 is written to the FLEX\_US\_MR.PAR field, the USART runs in Multidrop mode. This mode differentiates the data characters and the address characters. Data are transmitted with the parity bit to 0 and addresses are transmitted with the parity bit to 1.

If the USART is configured in Multidrop mode, the receiver sets the PARE parity error bit when the parity bit is high and the transmitter is able to send a character with the parity bit high when a one is written to the FLEX\_US\_CR.SENDA bit.

To handle parity error, the PARE bit is cleared by writing a one to the FLEX\_US\_CR.RSTSTA bit.

The transmitter sends an address byte (parity bit set) when the FLEX\_US\_CR.SENDA bit is written to 1. In this case, the next byte written to FLEX\_US\_THR is transmitted as an address. Any character written in FLEX\_US\_THR when the SENDA command is not written is transmitted normally with parity to 0.

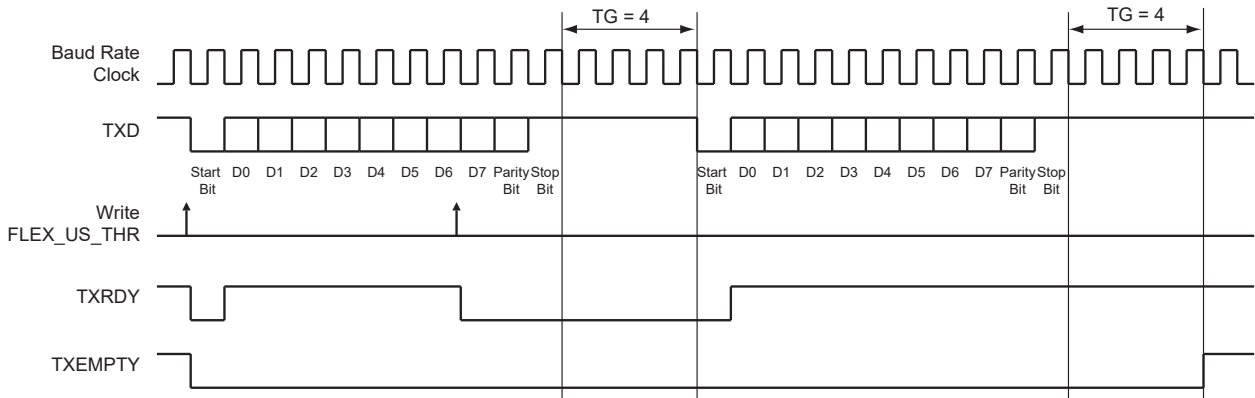
### 37.7.3.10 Transmitter Timeguard

The timeguard feature enables the USART interface with slow remote devices.

The timeguard function enables the transmitter to insert an idle state on the TXD line between two characters. This idle state actually acts as a long stop bit.

The duration of the idle state is programmed in the TG field of the Transmitter Timeguard Register (FLEX\_US\_TTGR). When this field is written to zero, no timeguard is generated. Otherwise, the transmitter holds a high level on TXD after each transmitted byte during the number of bit periods programmed in TG in addition to the number of stop bits.

As illustrated in the following figure, the behavior of the TXRDY and TXEMPTY status bits is modified by the programming of a timeguard. TXRDY rises only when the start bit of the next character is sent, and thus remains to 0 during the timeguard transmission if a character has been written in FLEX\_US\_THR. TXEMPTY remains low until the timeguard transmission is completed as the timeguard is part of the current character being transmitted.

**Figure 37-21.** Timeguard Operations

The following table indicates the maximum length of a timeguard period that the transmitter can handle in relation to the function of the baud rate.

**Table 37-5.** Maximum Timeguard Length Depending on Baud Rate

Baud Rate (bit/s)	Bit Time ( $\mu$ s)	Timeguard (ms)
1,200	833	212.50
9,600	104	26.56
14,400	69.4	17.71
19,200	52.1	13.28
28,800	34.7	8.85
38,400	26	6.63
56,000	17.9	4.55
57,600	17.4	4.43
115,200	8.7	2.21

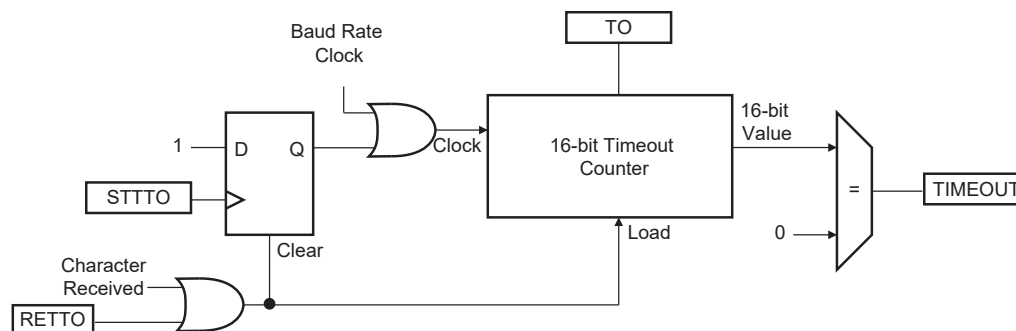
### 37.7.3.11 Receiver Timeout

The Receiver Timeout provides support in handling variable-length frames. This feature detects an idle condition on the RXD line. When a timeout is detected, the FLEX\_US\_CSR.TIMEOUT bit rises and can generate an interrupt, thus indicating to the driver an end of frame.

The timeout delay period (during which the receiver waits for a new character) is programmed in the TO field of the Receiver Timeout Register (FLEX\_US\_RTOR). If the TO field is written to 0, the Receiver Timeout is disabled and no timeout is detected. The FLEX\_US\_CSR.TIMEOUT bit remains at 0. Otherwise, the receiver loads a 16-bit counter with the value programmed in TO. This counter is decremented at each bit period and reloaded each time a new character is received. If the counter reaches 0, the FLEX\_US\_CSR.TIMEOUT bit rises. Then, the user can either:

- Stop the counter clock until a new character is received. This is performed by writing a '1' to FLEX\_US\_CR.STTTO. In this case, the idle state on RXD before a new character is received does not provide a timeout. This prevents having to handle an interrupt before a character is received and enables waiting for the next idle state on RXD after a frame is received.
- Obtain an interrupt while no character is received. This is performed by writing a '1' to FLEX\_US\_CR.RETTO. In this case, the counter starts counting down immediately from the value TO. This generates a periodic interrupt so that a user timeout can be handled, for example when no key is pressed on a keyboard.

The following figure shows the block diagram of the Receiver Timeout feature.

**Figure 37-22.** Receiver Timeout Block Diagram

The following table gives the maximum timeout period for some standard baud rates.

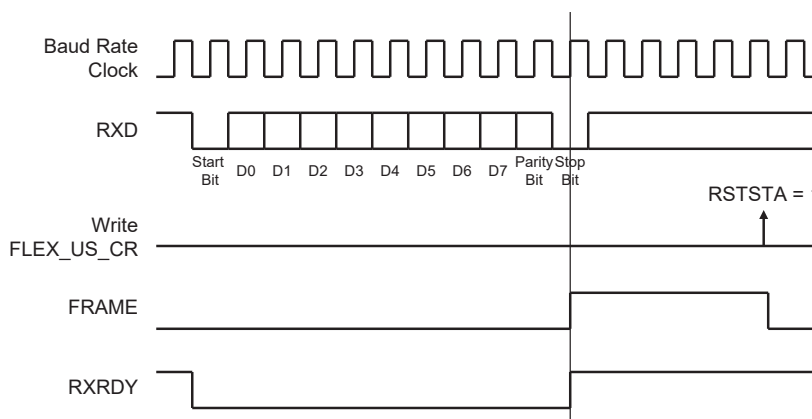
**Table 37-6.** Maximum Timeout Period

Baud Rate (bit/s)	Bit Time ( $\mu\text{s}$ )	Timeout (ms)
600	1,667	109,225
1,200	833	54,613
2,400	417	27,306
4,800	208	13,653
9,600	104	6,827
14,400	69	4,551
19,200	52	3,413
28,800	35	2,276
38,400	26	1,704
56,000	18	1,170
57,600	17	1,138
200,000	5	328

### 37.7.3.12 Framing Error

The receiver is capable of detecting framing errors. A framing error happens when the stop bit of a received character is detected at level 0. This can occur if the receiver and the transmitter are fully desynchronized.

A framing error is reported on the FLEX\_US\_CSR.FRAME bit. The FRAME bit is asserted in the middle of the stop bit as soon as the framing error is detected. It is cleared by writing a one to the FLEX\_US\_CR.RSTSTA bit.

**Figure 37-23.** Framing Error Status

### 37.7.3.13 Transmit Break

The user can request the transmitter to generate a break condition on the TXD line. A break condition drives the TXD line low during at least one complete character. It appears the same as a 0x00 character sent with the parity and the stop bits to 0. However, the transmitter holds the TXD line at least during one character until the user requests the break condition to be removed.

A break is transmitted by setting the FLEX\_US\_CR.STTBK bit. This can be done at any time, either while the transmitter is empty (no character in either the shift register or in FLEX\_US\_THR) or when a character is being transmitted. If a break is requested while a character is being shifted out, the character is first completed before the TXD line is held low.

Once the Start Break command is requested, further Start Break commands are ignored until the end of the break is completed.

The break condition is removed by setting the FLEX\_US\_CR.STPBK bit. If the Stop Break command is requested before the end of the minimum break duration (one character, including start, data, parity and stop bits), the transmitter ensures that the break condition completes.

The transmitter considers the break as though it is a character, i.e., the Start Break and Stop Break commands are processed only if the FLEX\_US\_CSR.TXRDY bit = 1 and the start of the break condition clears the TXRDY and TXEMPTY bits as if a character was processed.

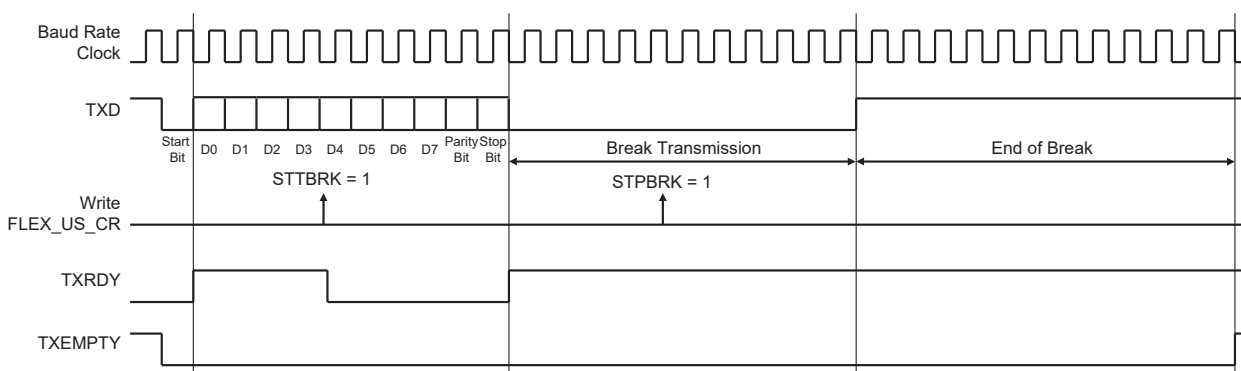
Setting both the FLEX\_US\_CR.STTBK and FLEX\_US\_CR.STPBK bits can lead to an unpredictable result. All Stop Break commands requested without a previous Start Break command are ignored. A byte written into the Transmit Holding register while a break is pending, but not started, is ignored.

After the break condition, the transmitter returns the TXD line to 1 for a minimum of 12 bit times. Thus, the transmitter ensures that the remote receiver detects correctly the end of break and the start of the next character. If the timeguard is programmed with a value higher than 12, the TXD line is held high for the timeguard period.

After holding the TXD line for this period, the transmitter resumes normal operations.

The following figure illustrates the effect of both the Start Break (STTBK) and Stop Break (STPBK) commands on the TXD line.

**Figure 37-24. Break Transmission**



### 37.7.3.14 Receive Break

The receiver detects a break condition when all data, parity and stop bits are low. This corresponds to detecting a framing error with data to 0x00, but FRAME remains low.

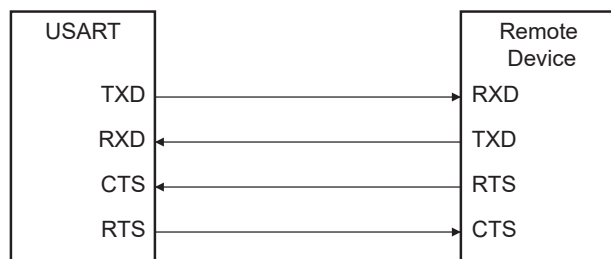
When the low stop bit is detected, the receiver asserts the FLEX\_US\_CSR.RXBRK bit. FLEX\_US\_CSR.RXBRK may be cleared by setting the FLEX\_US\_CR.RSTSTA bit.

An end of receive break is detected by a high level for at least 2/16ths of a bit period in Asynchronous operating mode or one sample at high level in Synchronous operating mode. The end of break detection also asserts the RXBRK bit.

### 37.7.3.15 Hardware Handshaking

The USART features a hardware handshaking out-of-band flow control. The RTS and CTS pins are used to connect with the remote device, as shown in the following figure.

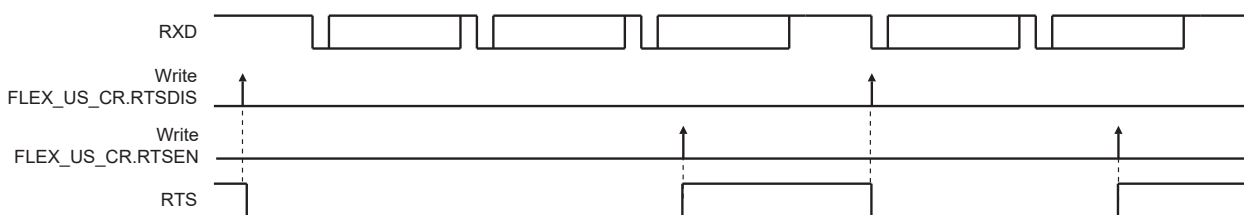
**Figure 37-25.** Connection with a Remote Device for Hardware Handshaking



Setting the USART to operate with hardware handshaking is performed by writing the FLEX\_US\_MR.USART\_MODE field to the value 0x2.

The USART behavior when hardware handshaking is enabled is the same as the behavior in standard Synchronous or Asynchronous mode, except that the receiver drives the RTS pin as described below and the level on the CTS pin modifies the behavior of the transmitter as described below. Using this mode requires using the DMAC channel for reception. The transmitter can handle hardware handshaking in any case.

**Figure 37-26.** RTS Line Software Control when FLEX\_US\_MR.USART\_MODE = 2



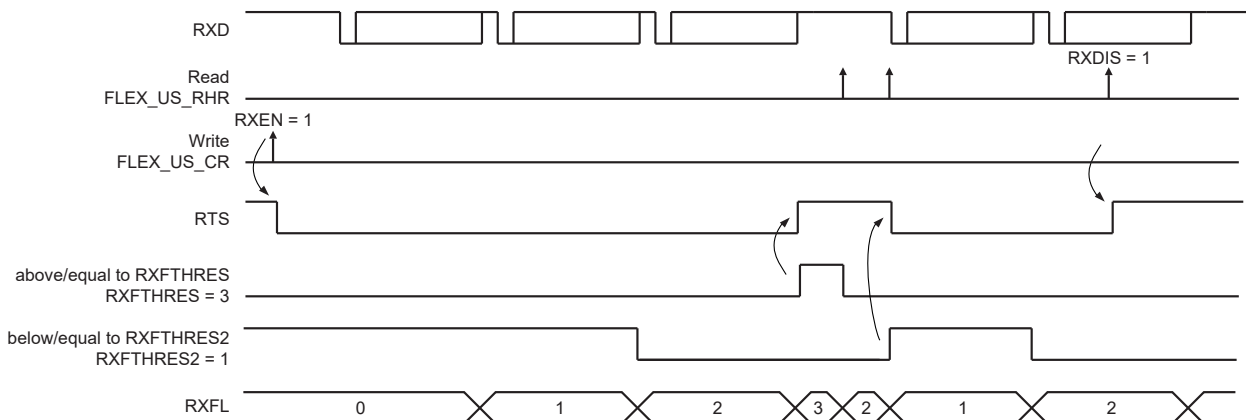
The following figure shows how the transmitter operates if hardware handshaking is enabled. The CTS pin disables the transmitter. If a character is being processed, the transmitter is disabled only after the completion of the current character and transmission of the next character happens as soon as the pin CTS falls.

**Figure 37-27.** Transmitter Behavior when Operating with Hardware Handshaking



If USART FIFOs are enabled (bit FLEX\_US\_CR.FIFOEN), the RTS pin can be controlled by the USART Receive FIFO thresholds. The RTS pin control through Receive FIFO thresholds can be activated with the FLEX\_US\_FMR.FRTSC bit. Once activated, the RTS pin will be controlled by Receive FIFO thresholds, set to level 1 each time RXFTHRES is reached and set to level '0' each time RXFTHRES2 is reached (and RXFTHRES is not reached).

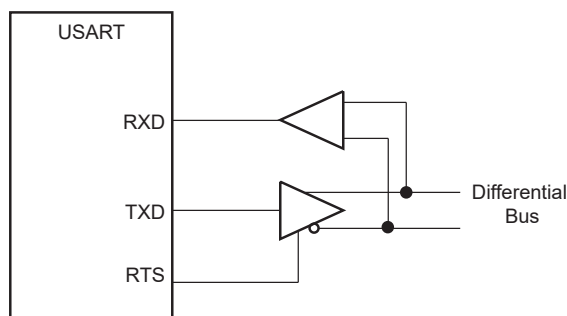


**Figure 37-28.** Receiver Behavior When FIFO Enabled and FRTSC Set to '1'

**Note:** In this mode, RXFTHRES must be  $>$  RXFTHRES2.

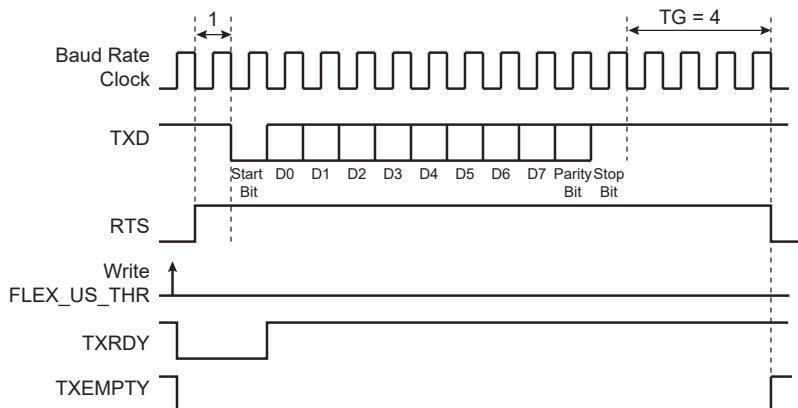
### 37.7.4 RS485 Mode

The USART features the RS485 mode to enable line driver control. While operating in RS485 mode, the USART behaves as though in Asynchronous or Synchronous mode and configuration of all the parameters is possible. The difference is that the RTS pin is driven high when the transmitter is operating. The behavior of the RTS pin is controlled by the TXEMPTY bit. A typical connection of the USART to an RS485 bus is shown in the following figure.

**Figure 37-29.** Typical Connection to an RS485 Bus

The USART is set in RS485 mode by writing the value 0x1 to the FLEX\_US\_MR.USART\_MODE field.

The RTS pin is at a level inverse to the TXEMPTY bit. Significantly, the RTS pin remains high when a timeguard is programmed, so that the line can remain driven after the last character completion. The following figure gives an example of the RTS waveform during a character transmission when the timeguard is enabled.

**Figure 37-30.** Example of RTS Drive with Timeguard

### 37.7.5 USART Comparison Function on Received Character

The CMP flag in FLEX\_US\_CSR is set when the received character matches the conditions programmed in FLEX\_US\_CMPR. The CMP flag is set as soon as FLEX\_US\_RHR is loaded with the new received character. The CMP flag is cleared by writing a one to FLEX\_US\_CR.RSTSTA.

FLEX\_US\_CMPR can be programmed to provide different comparison methods:

- If VAL1 equals VAL2, then the comparison is performed on a single value and the flag is set to 1 if the received character equals VAL1.
- If VAL1 is strictly lower than VAL2, then any value between VAL1 and VAL2 sets the CMP flag.
- If VAL1 is strictly higher than VAL2, then the flag CMP is set to 1 if any received character equals VAL1 or VAL2.

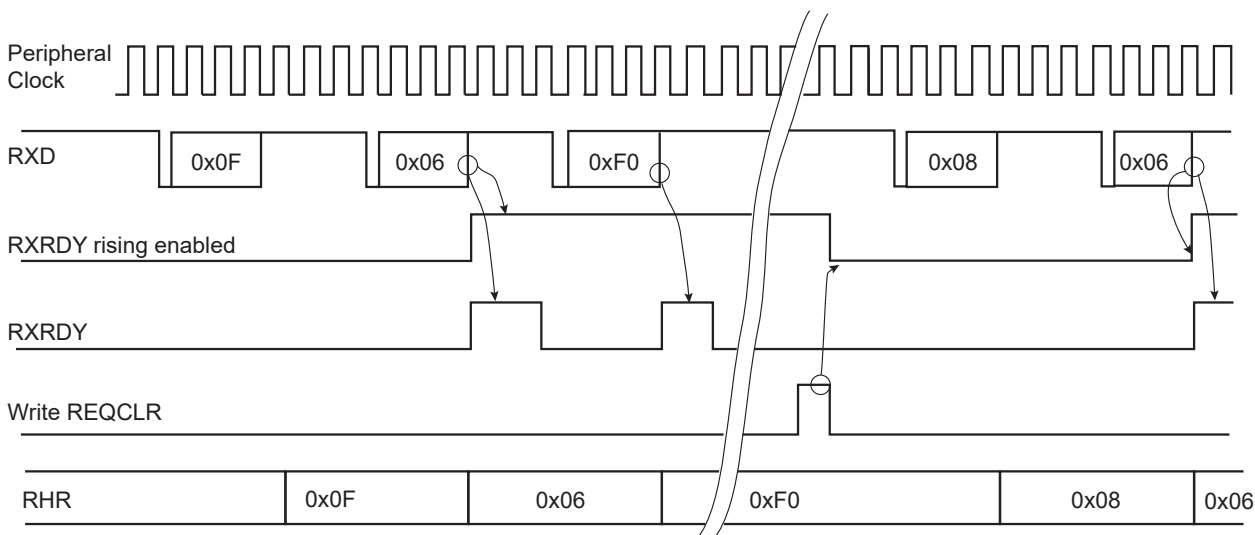
When the FLEX\_US\_CMPR.CMPMODE bit is set to FLAG\_ONLY (value 0), all received data are loaded in FLEX\_US\_RHR and the CMP flag provides the status of the comparison result.

By programming the START\_CONDITION.CMPMODE bit (value 1), the comparison function result triggers the start of the loading of FLEX\_US\_RHR (see the following figure). The trigger condition exists as soon as the received character value matches the condition defined by the programming of VAL1, VAL2 and CMPPAR in FLEX\_US\_CMPR. The comparison trigger event is restarted by writing a 1 to the FLEX\_US\_CR.REQCLR bit.

The value programmed in the VAL1 and VAL2 fields must not exceed the maximum value of the received character (see CHRL field in register [37.10.5. FLEX\\_US\\_MR](#)).

**Figure 37-31.** Receive Holding Register Management

CMPMODE = 1, VAL1 = VAL2 = 0x06

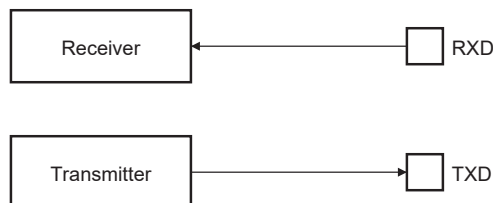


### 37.7.6 Test Modes

The USART can be programmed to operate in three different test modes. The internal loopback capability allows on-board diagnostics. In Loopback mode, the USART interface pins are disconnected or not and reconfigured for loopback internally or externally.

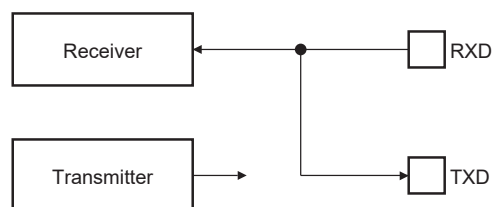
#### 37.7.6.1 Normal Mode

Normal mode connects the RXD pin on the receiver input and the transmitter output on the TXD pin.

**Figure 37-32.** Normal Mode Configuration

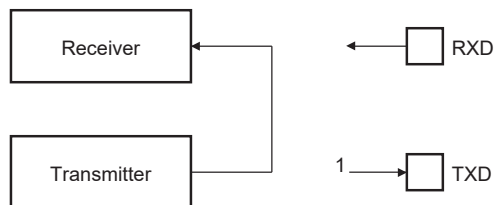
#### 37.7.6.2 Automatic Echo Mode

Automatic Echo mode allows bit-by-bit retransmission. When a bit is received on the RXD pin, it is sent to the TXD pin, as shown in the following figure. Programming the transmitter has no effect on the TXD pin. The RXD pin is still connected to the receiver input, thus the receiver remains active.

**Figure 37-33.** Automatic Echo Mode Configuration

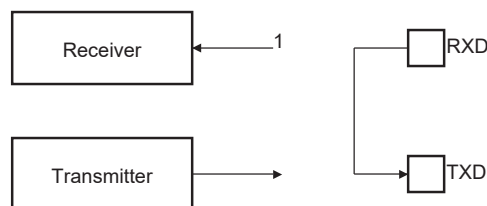
#### 37.7.6.3 Local Loopback Mode

Local Loopback mode connects the output of the transmitter directly to the input of the receiver, as shown in the following figure. The TXD and RXD pins are not used. The RXD pin has no effect on the receiver and the TXD pin is continuously driven high, as in idle state.

**Figure 37-34.** Local Loopback Mode Configuration

### 37.7.6.4 Remote Loopback Mode

Remote Loopback mode directly connects the RXD pin to the TXD pin, as shown in the following figure. The transmitter and the receiver are disabled and have no effect. This mode allows bit-by-bit retransmission.

**Figure 37-35.** Remote Loopback Mode Configuration

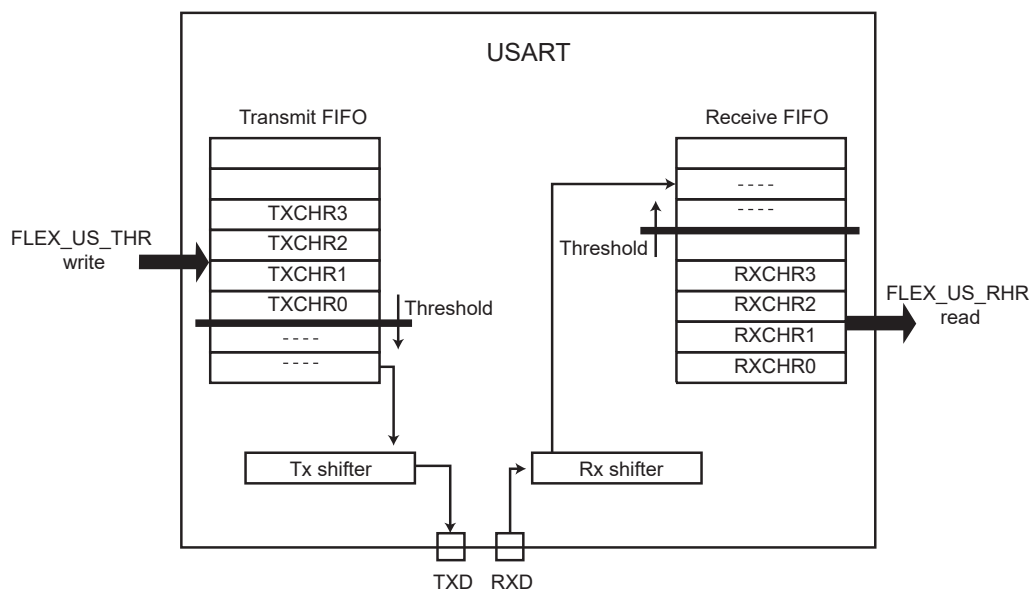
## 37.7.7 USART FIFOs

### 37.7.7.1 Overview

The USART includes two FIFOs which can be enabled/disabled using FLEX\_US\_CR.FIFOEN/FIFODIS. Both the transmitter and the receiver must be disabled before enabling or disabling the FIFOs, using the FLEX\_US\_CR.TXDIS/RXDIS bits.

Writing FLEX\_US\_CR.FIFOEN to '1' enables a 16-data Transmit FIFO and a 16-data Receive FIFO.

It is possible to write or to read single or multiple data in the same access to FLEX\_US\_THR/RHR. See sections [USART Single Data Mode](#) and [USART Multiple Data Mode](#).

**Figure 37-36.** FIFOs Block Diagram

### 37.7.7.2 Sending Data with FIFO Enabled

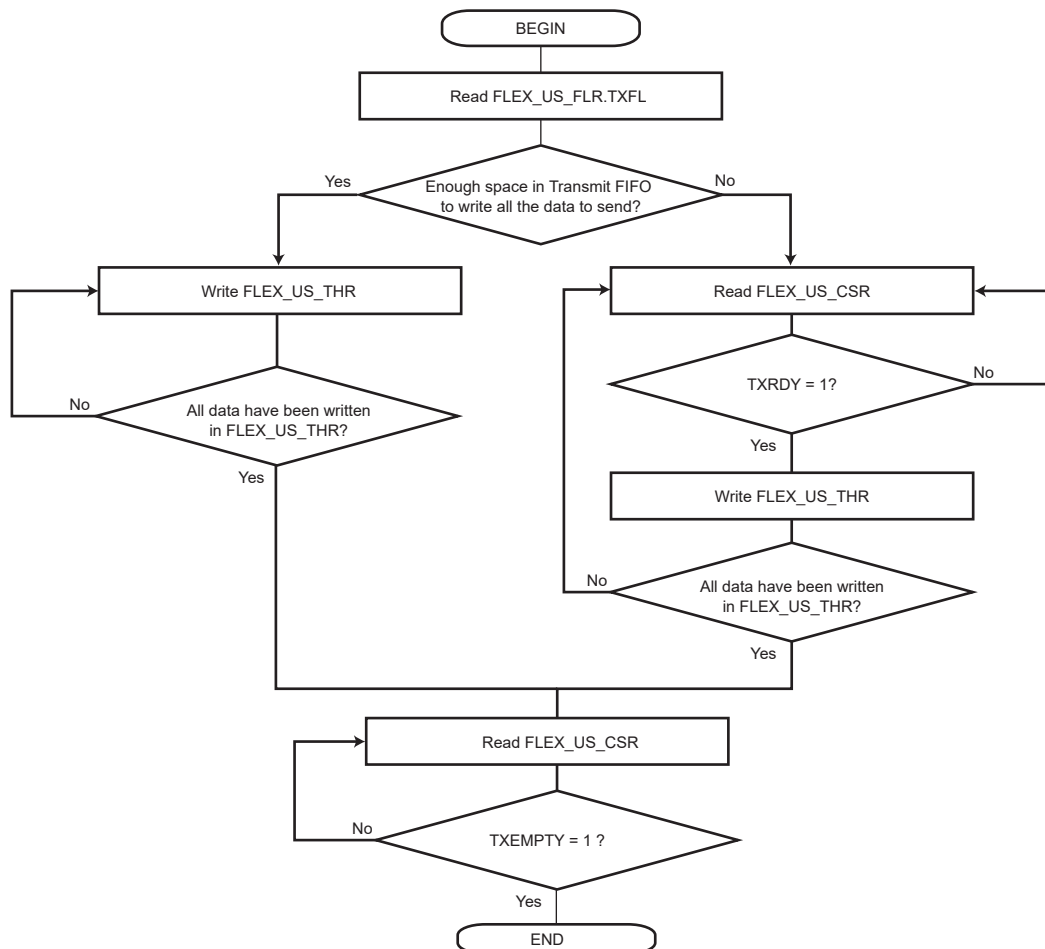
When the Transmit FIFO is enabled, write access to FLEX\_US\_THR loads the Transmit FIFO.

The FIFO level is provided in FLEX\_US\_FLR.TXFL. If the FIFO can accept the number of data to be transmitted, there is no need to monitor FLEX\_US\_CSR.TXRDY and the data can be successively written in FLEX\_US\_THR.

If the FIFO cannot accept the data due to insufficient space, wait for the TXRDY flag to be set before writing the data in FLEX\_US\_THR.

When the space in the FIFO allows only a portion of the data to be written, the TXRDY flag must be monitored before writing the remaining data.

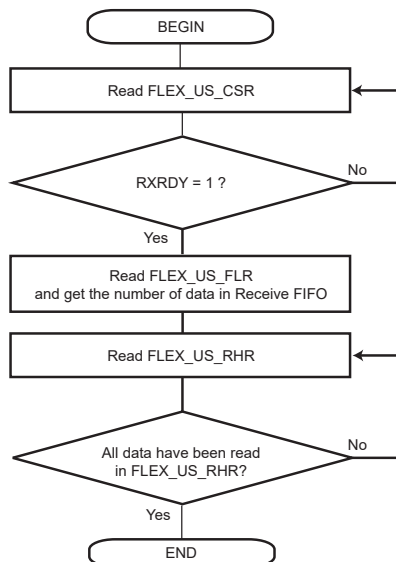
**Figure 37-37.** Sending Data with FIFO Enabled



### 37.7.7.3 Receiving Data with FIFO Enabled

When the Receive FIFO is enabled, FLEX\_US\_RHR access reads the FIFO.

When data are present in the Receive FIFO (RXRDY flag set to '1'), the exact number of data can be checked with FLEX\_US\_FLR.RXFL. All the data can be read successively in FLEX\_US\_RHR without checking the RXRDY flag between each access.

**Figure 37-38.** Receiving Data with FIFO Enabled

#### 37.7.7.4 Clearing/Flushing FIFOs

Each FIFO can be cleared/flushed using FLEX\_US\_CR.TXFCLR/RXFCLR.

#### 37.7.7.5 TXEMPTY, TXRDY and RXRDY Behavior

FLEX\_US\_CSR.TXEMPTY, FLEX\_US\_CSR.TXRDY and FLEX\_US\_CSR.RXRDY flags display a specific behavior when FIFOs are enabled.

The TXEMPTY flag is cleared as long as there are characters in the Transmit FIFO or in the internal shift register. TXEMPTY is set when there are no characters in the Transmit FIFO and in the internal shift register.

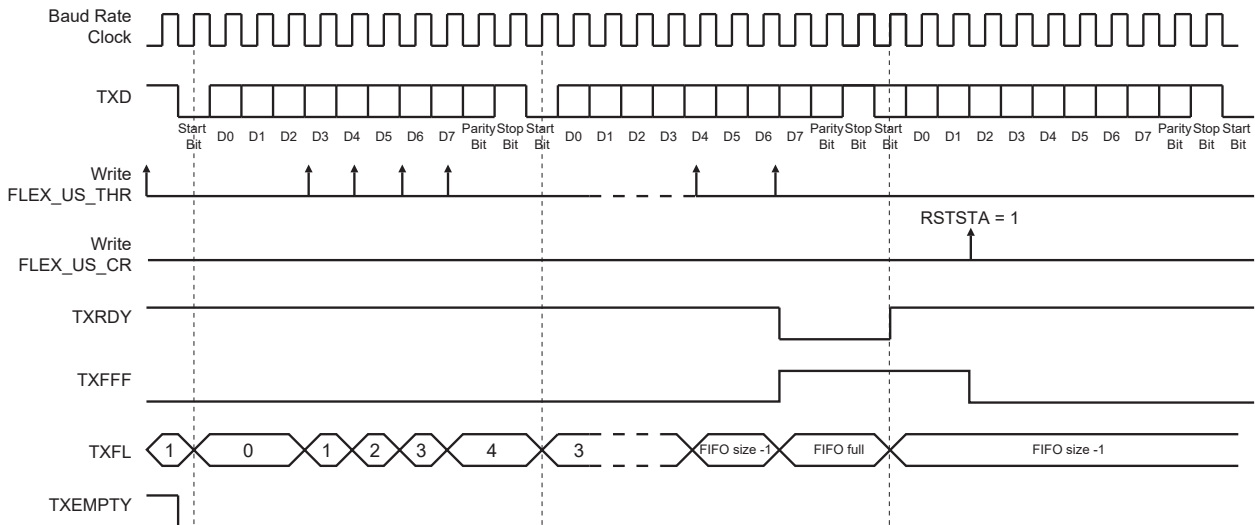
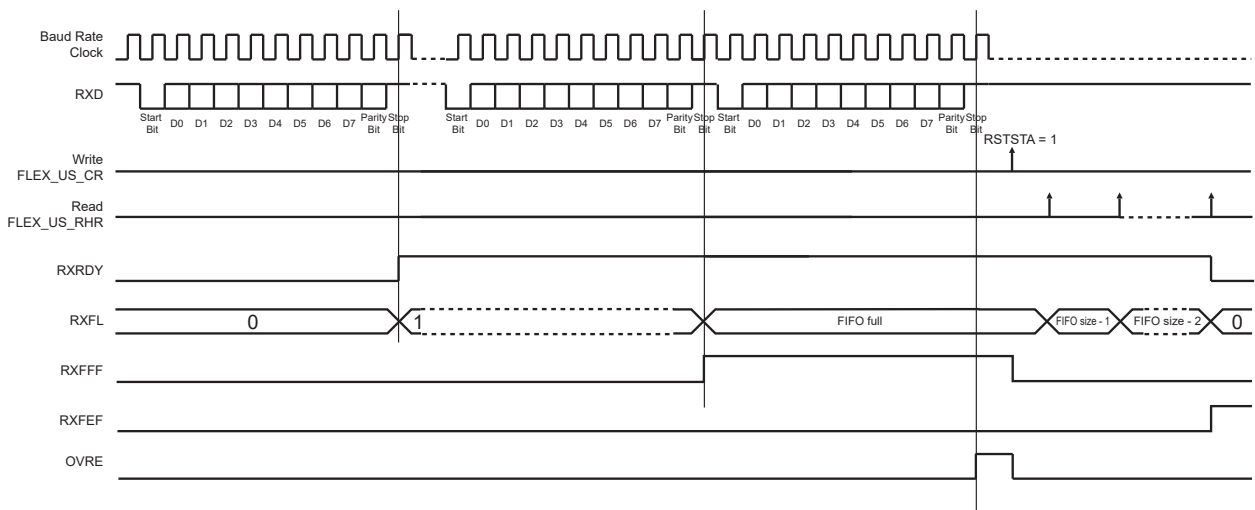
TXRDY indicates if a data can be written in the Transmit FIFO. Thus the TXRDY flag is set as long as the Transmit FIFO can accept new data. See figure [TXRDY in Single Data Mode and TXRDYM = 0](#).

RXRDY indicates if an unread data is present in the Receive FIFO. Thus the RXRDY flag is set as soon as one unread data is in the Receive FIFO. See figure [RXRDY in Single Data Mode and RXRDYM = 0](#) below.

TXRDY and RXRDY behavior can be modified using the TXRDYM and RXRDYM fields in the USART FIFO Mode Register (FLEX\_US\_FMR) to reduce the number of accesses to FLEX\_US\_RHR/THR. However, for some configurations, the following constraints apply:

- If FLEX\_US\_MR.MODE9 is set, FLEX\_US\_FMR.TXRDYM/RXRDYM must be cleared.

See USART FIFO Mode Register for the FIFO configuration.

**Figure 37-39.** TXRDY in Single Data Mode and TXRDYM = 0**Figure 37-40.** RXRDY in Single Data Mode and RXRDYM = 0

### 37.7.7.6 USART Single Data Mode

In Single Data mode, only one data is written every time FLEX\_US\_THR is accessed, and only one data is read every time FLEX\_US\_RHR is accessed.

When FLEX\_US\_FMR.TXRDYM = 0, the Transmit FIFO operates in Single Data mode.

When FLEX\_US\_FMR.RXRDYM = 0, the Receive FIFO operates in Single Data mode.

If FLEX\_US\_MR.MODE9 is set, the FIFOs must operate in Single Data mode.

See [USART Receive Holding Register \(FLEX\\_US\\_RHR\)](#) and [USART Transmit Holding Register \(FLEX\\_US\\_THR\)](#).

#### 37.7.7.6.1 DMAC

The DMAC transfer type must be configured in bytes or halfwords when FIFOs operate in Single Data mode (the same applies when FIFOs are disabled).

### 37.7.7.7 USART Multiple Data Mode

Multiple Data mode minimizes the number of accesses by concatenating the data to send/read in one access.

When `FLEX_US_FMR.TXRDYM > 0`, the Transmit FIFO operates in Multiple Data mode.

When `FLEX_US_FMR.RXRDYM > 0`, the Receive FIFO operates in Multiple Data mode.

However, Multiple Data mode cannot be used for the following configurations:

- If `FLEX_US_MR.MODE9` is set

In Multiple Data mode, it is possible to write/read up to four data in one `FLEX_US_THR/FLEX_US_RHR` access.

The number of data to write/read is defined by the size of the register access. If the access is a byte-size register access, only one data is written/read, if the access is a halfword size register access, then two data are written/read and, finally, if the access is a word-size register access, four data are written/read.

Written/read data are always right-aligned, as described in sections [USART Receive Holding Register \(FIFO Multi Data\)](#) and [USART Transmit Holding Register \(FIFO Multi Data\)](#).

As an example, if the Transmit FIFO is empty and there are six data to send, either of the following write accesses may be performed:

- six `FLEX_US_THR`-byte write accesses
- three `FLEX_US_THR`-halfword write accesses
- one `FLEX_US_THR` word write access and one `FLEX_US_THR` halfword write access

With a Receive FIFO containing six data, any of the following read accesses may be performed:

- six `FLEX_US_RHR`-byte read accesses
- three `FLEX_US_RHR`-halfword read accesses
- one `FLEX_US_RHR`-word read access and one `FLEX_US_RHR`-halfword read access

#### 37.7.7.7.1 TXRDY and RXRDY Configuration

In Multiple Data mode, it is possible to write one or more data in the same `FLEX_US_THR/FLEX_US_RHR` access. The `TXRDY` flag indicates if one or more data can be written in the FIFO depending on the configuration of `FLEX_US_FMR.TXRDYM/RXRDYM`.

As an example, if four data are written each time in `FLEX_US_THR`, it is useful to configure the `TXRDYM` field to the value '2' so that the `TXRDY` flag is at '1' only when at least four data can be written in the Transmit FIFO.

In the same way, if four data are read each time in `FLEX_US_RHR`, it is useful to configure the `RXRDYM` field to the value '2' so that the `RXRDY` flag is at '1' only when at least four unread data are in the Receive FIFO.

#### 37.7.7.7.2 DMAC

When FIFOs operate in Multiple Data mode, the DMAC transfer type must be configured in byte, halfword or word depending on the `FLEX_US_FMR.TXRDYM/RXRDYM` settings.

#### 37.7.7.8 FIFO Pointer Error

A FIFO overflow is reported in `FLEX_US_FESR`.

If the Transmit FIFO is full and a write access is performed on `FLEX_US_THR`, it generates a Transmit FIFO pointer error and sets `FLEX_US_FESR.TXFPTEF`.

In Multiple Data mode, if the number of data written in `FLEX_US_THR` (according to the register access size) is greater than the free space in the Transmit FIFO, a Transmit FIFO pointer error is generated and `FLEX_US_FESR.TXFPTEF` is set.

A FIFO underflow is reported in `FLEX_US_FESR`.



In Multiple Data mode, if the number of data read in FLEX\_US\_RHR (according to the register access size) is greater than the number of unread data in the Receive FIFO, a Receive FIFO pointer error is generated and FLEX\_US\_FESR.RXFPTEF is set.

No pointer error occurs if the FIFO state/level is checked before writing/reading in FLEX\_US\_THR/FLEX\_US\_RHR. The FIFO state/level can be checked either with TXRDY, RXRDY, TXFL or RXFL. When a pointer error occurs, other FIFO flags may not behave as expected; their states should be ignored.

If a Transmit pointer error occurs, a transmitter reset must be performed using FLEX\_US\_CR.RSTTX. If a Receive pointer error occurs, a receiver reset must be performed using FLEX\_US\_CR.RSTRX.

### 37.7.7.9 FIFO Thresholds

Each Transmit and Receive FIFO includes a threshold feature used to set a flag and an interrupt when a FIFO threshold is crossed. Thresholds are defined as a number of data in the FIFO, and the FIFO state (TXFL or RXFL) represents the number of data currently in the FIFO.

The Transmit FIFO threshold can be set using the field FLEX\_US\_FMR.TXFTHRES. Each time the Transmit FIFO level goes from 'above threshold' to 'equal to or below threshold', the flag FLEX\_US\_FESR.TXFTHF is set. The application is warned that the Transmit FIFO has reached the defined threshold and that it can be reloaded.

The Receive FIFO threshold can be set using the field FLEX\_US\_FMR.RXFTHRES. Each time the Receive FIFO level goes from 'below threshold' to 'equal to or above threshold', the flag FLEX\_US\_FESR.RXFTHF is set. The application is warned that the Receive FIFO has reached the defined threshold and that it can be read to prevent an underflow.

The Receive FIFO threshold 2 can be set using the field FLEX\_US\_FMR.RXFTHRES2. Each time the Receive FIFO level goes from 'above threshold 2' to 'equal to or below threshold 2', the flag FLEX\_US\_FESR.RXFTHF2 is set. The application is warned that the Receive FIFO has reached the defined threshold and that it can be read to prevent an underflow.

The TXFTHF, RXFTHF and RXTHF2 flags can be configured to generate an interrupt using FLEX\_US\_FIER and FLEX\_US\_FIDR.

### 37.7.7.10 FIFO Flags

FIFOs come with a set of flags which can be configured to generate interrupts through FLEX\_US\_FIER and FLEX\_US\_FIDR.

FIFO flags state can be read in FLEX\_US\_FESR. They are cleared by writing FLEX\_US\_CR.RSTSTA to '1'.

### 37.7.8 USART Register Write Protection

The FLEXCOM operating mode (FLEX\_MR.OPMODE) must be set to FLEX\_MR.OPMODE\_USART to enable access to the write protection registers.

To prevent any single software error from corrupting USART behavior, certain registers in the address space can be write-protected by setting the WPEN (Write Protection Enable) bit in the [USART Write Protection Mode Register \(FLEX\\_US\\_WPMR\)](#).

If a write access to a write-protected register is detected, the Write Protection Violation Status (WPVS) flag in the [USART Write Protection Status Register \(FLEX\\_US\\_WPSR\)](#) is set and the Write Protection Violation Source (WPVSR) field indicates the register in which the write access has been attempted.

The WPVS bit is automatically cleared after reading FLEX\_US\_WPSR.

The following registers can be write-protected when WPEN is set:

- USART Mode Register
- USART Baud Rate Generator Register
- USART Receiver Timeout Register

- USART Transmitter Timeguard Register
- USART IrDA FILTER Register
- USART Manchester Configuration Register
- USART Comparison Register

## 37.8 SPI Functional Description

### 37.8.1 Modes of Operation

The SPI operates in Master mode or in Slave mode.

- The SPI operates in Master mode by writing a 1 to the MSTR bit in the SPI Mode Register (FLEX\_SPI\_MR):
  - The pins NPCS0 to NPCS3 are all configured as outputs.
  - The SPCK pin is driven.
  - The MISO line is wired on the receiver input.
  - The MOSI line is driven as an output by the transmitter.
- The SPI operates in Slave mode if the MSTR bit in FLEX\_SPI\_MR is written to 0:
  - The MISO line is driven by the transmitter output.
  - The MOSI line is wired on the receiver input.
  - The SPCK pin is driven by the transmitter to synchronize the receiver.
  - The NPCS0 pin becomes an input, and is used as a slave select signal (NSS).
  - Pins NPCS1 to NPCS3 are not driven and can be used for other purposes.

The data transfers are identically programmable for both modes of operation. The bit rate generator is activated only in Master mode.

### 37.8.2 Data Transfer

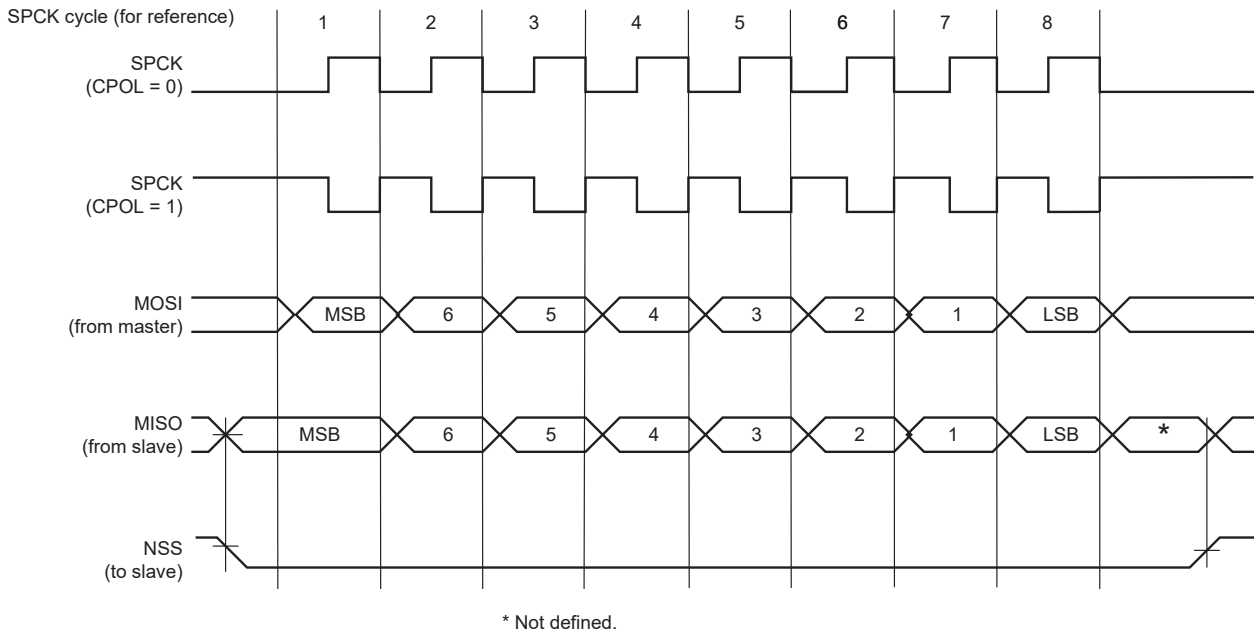
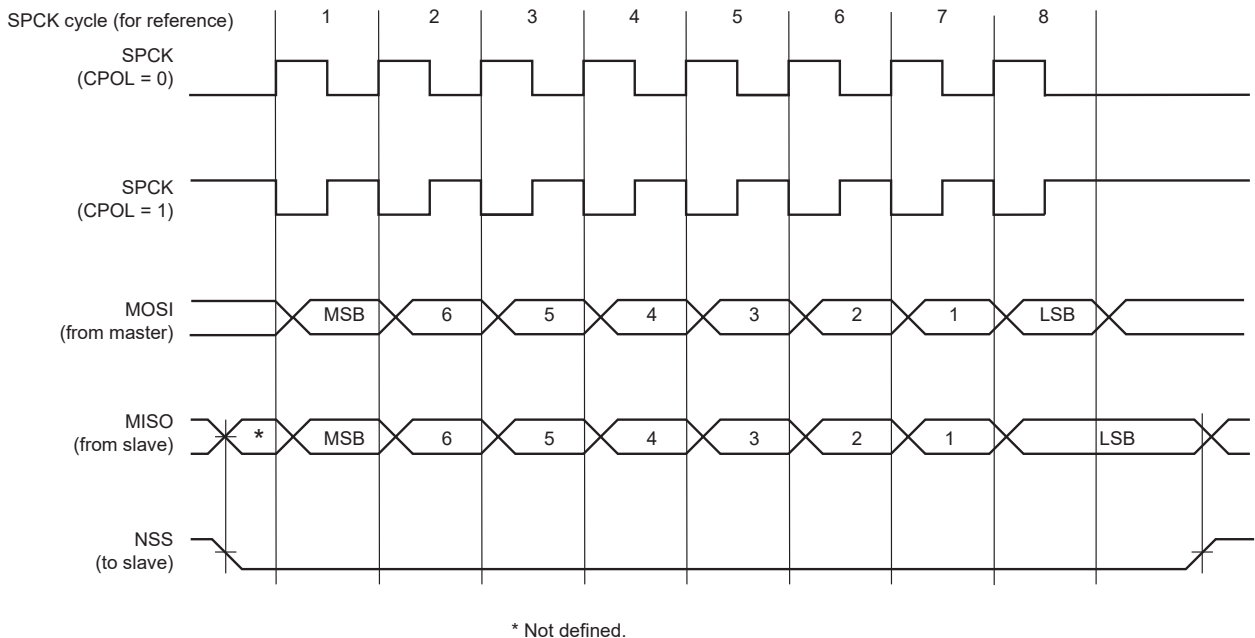
Four combinations of polarity and phase are available for data transfers. The clock polarity is programmed with the CPOL bit in the SPI Chip Select Register (FLEX\_SPI\_CSR). The clock phase is programmed with the NCPHA bit. These two parameters determine the edges of the clock signal on which data are driven and sampled. Each of the two parameters has two possible states, resulting in four possible combinations that are incompatible with one another. Consequently, a master/slave pair must use the same parameter pair values to communicate. If multiple slaves are connected and require different configurations, the master must reconfigure itself each time it needs to communicate with a different slave.

The following table shows the four modes and corresponding parameter settings.

**Table 37-7.** SPI Bus Protocol Mode

SPI Mode	CPOL	NCPHA	Shift SPCK Edge	Capture SPCK Edge	SPCK Inactive Level
0	0	1	Falling	Rising	Low
1	0	0	Rising	Falling	Low
2	1	1	Rising	Falling	High
3	1	0	Falling	Rising	High

The following figures show examples of data transfers.

**Figure 37-41. SPI Transfer Format (NCPHA = 1, 8 bits per transfer)****Figure 37-42. SPI Transfer Format (NCPHA = 0, 8 bits per transfer)**

### 37.8.3 Master Mode Operations

When configured in Master mode, the SPI operates on the clock generated by the internal programmable bit rate generator. It fully controls the data transfers to and from the slave(s) connected to the SPI bus. The SPI drives the chip select line to the slave and the serial clock signal (SPCK).

The SPI features two holding registers, the Transmit Data Register (FLEX\_SPI\_TDR) and the Receive Data Register (FLEX\_SPI\_RDR), and a single shift register. The holding registers maintain the data flow at a constant rate.

After enabling the SPI, a data transfer starts when the processor writes to FLEX\_SPI\_TDR. The written data are immediately transferred in the shift register and the transfer on the SPI bus starts. While the data in the shift register is shifted on the MOSI line, the MISO line is sampled and shifted in the shift register. Data cannot be loaded in FLEX\_SPI\_RDR without transmitting data. If there is no data to transmit, a dummy data can be used (FLEX\_SPI\_TDR filled with ones). When the WDRBT bit is set, a new data cannot be transmitted if FLEX\_SPI\_RDR has not been read. If Receiving mode is not required, for example when communicating with a slave receiver only (such as an LCD), the receive status flags in the SPI Status Register (FLEX\_SPI\_SR) can be discarded.

Before writing the TDR, the FLEX\_SPI\_MR.PCS field must be set in order to select a slave.

If new data are written in FLEX\_SPI\_TDR during the transfer, it is kept in FLEX\_SPI\_TDR until the current transfer is completed. Then, the received data are transferred from the shift register to FLEX\_SPI\_RDR, the data in FLEX\_SPI\_TDR is loaded in the shift register and a new transfer starts.

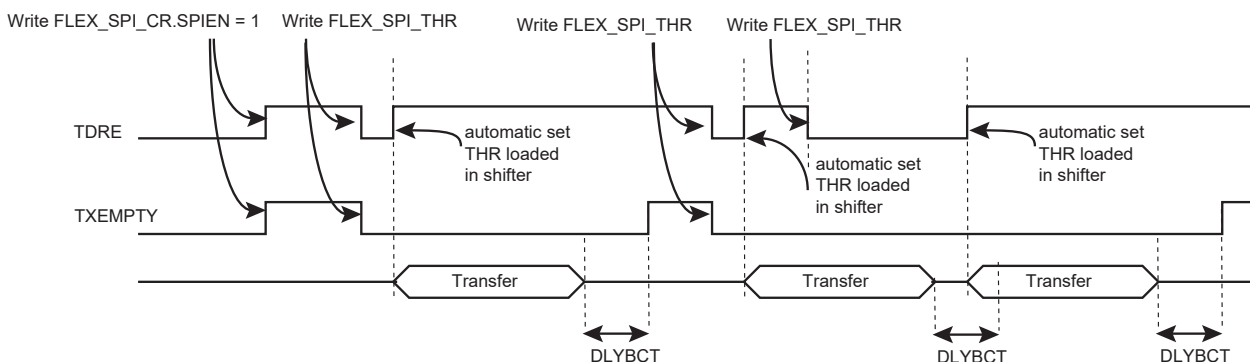
As soon as the FLEX\_SPI\_TDR is written, the Transmit Data Register Empty (TDRE) flag in FLEX\_SPI\_SR is cleared. When the data written in FLEX\_SPI\_TDR is loaded into the shift register, the FLEX\_SPI\_SR.TDRE flag is set. The TDRE bit is used to trigger the Transmit DMA channel (see figure below).

The end of transfer is indicated by FLEX\_SPI\_SR.TXEMPTY. If a transfer delay (DLYBCT) is greater than 0 for the last transfer, TXEMPTY is set after the completion of this delay. The peripheral clock can be switched off at this time.

#### Notes:

1. When the SPI is enabled, the TDRE and TXEMPTY flags are set.
2. The TXEMPTY flag alone cannot be used to detect the end of the buffer DMA transfer.

**Figure 37-43. TDRE and TXEMPTY Flag Behavior**



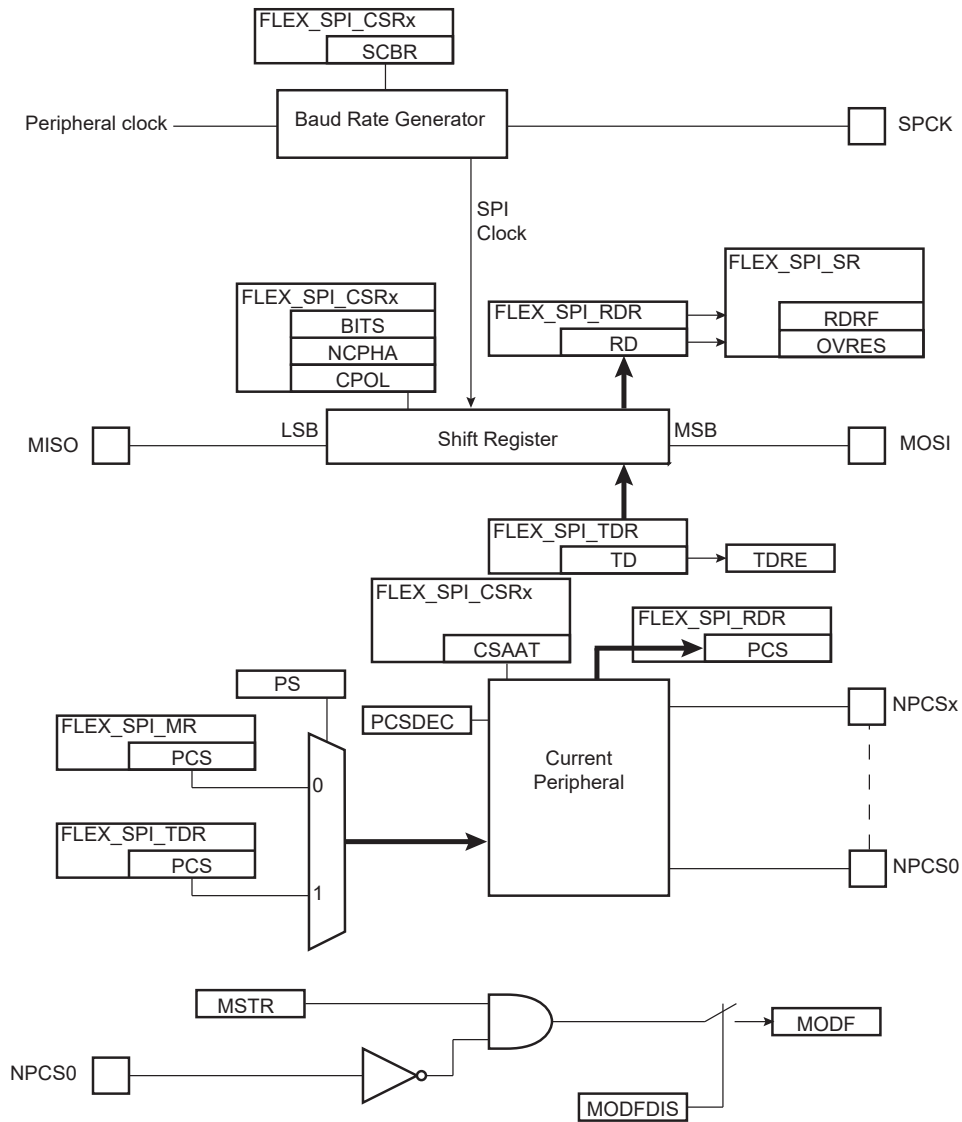
The transfer of received data from the shift register to FLEX\_SPI\_RDR is indicated by the Receive Data Register Full (RDRF) bit in FLEX\_SPI\_SR. When the received data are read, the RDRF bit is cleared.

If FLEX\_SPI\_RDR has not been read before new data are received, the Overrun Error bit (OVRES) in FLEX\_SPI\_SR is set. As long as this flag is set, data are loaded in FLEX\_SPI\_RDR. The user has to read the status register to clear the OVRES bit.

The following figures show, respectively, a block diagram of the SPI when operating in Master mode and a flow chart describing how transfers are handled.

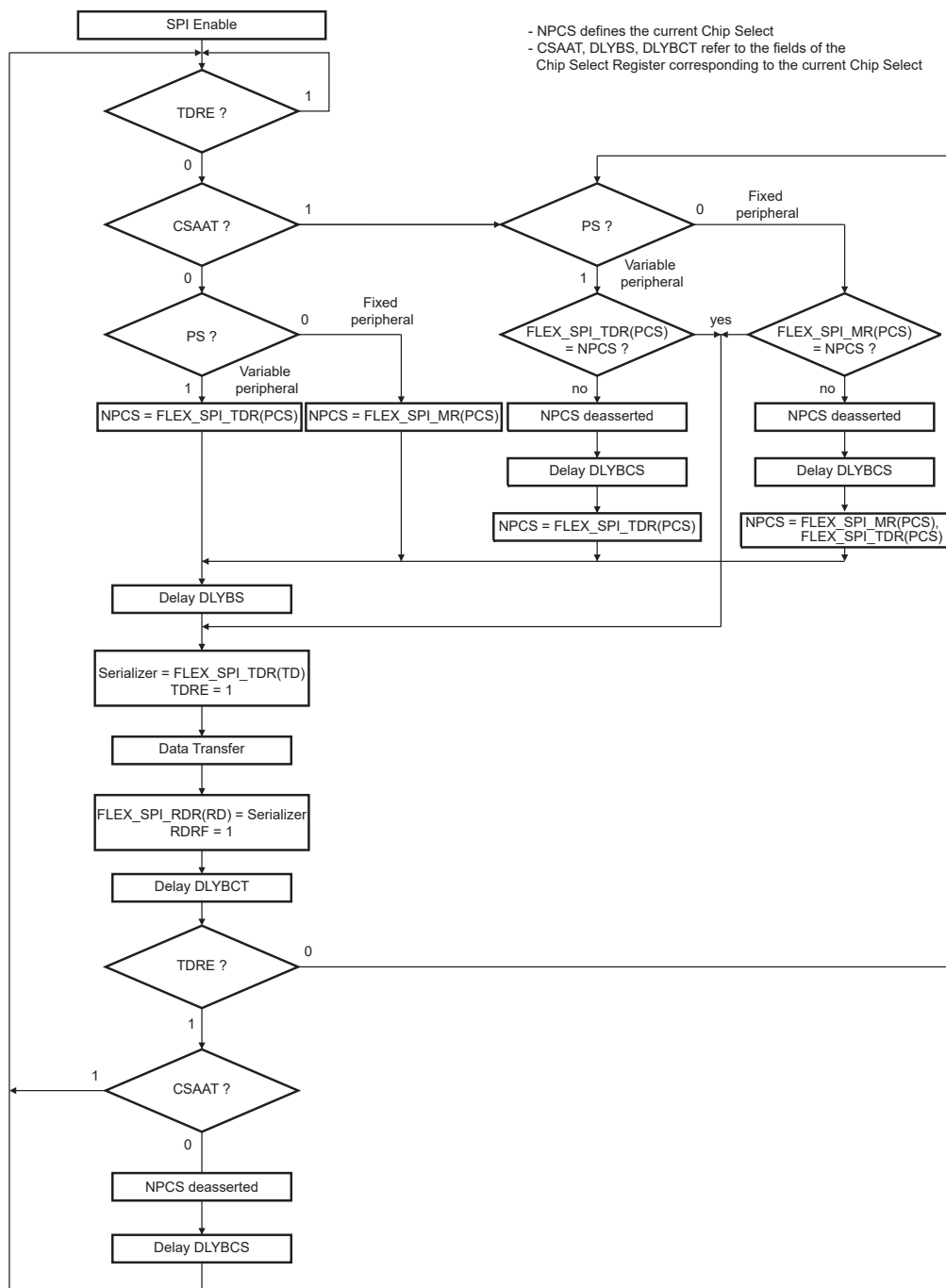
### 37.8.3.1 Master Mode Block Diagram

Figure 37-44. Master Mode Block Diagram

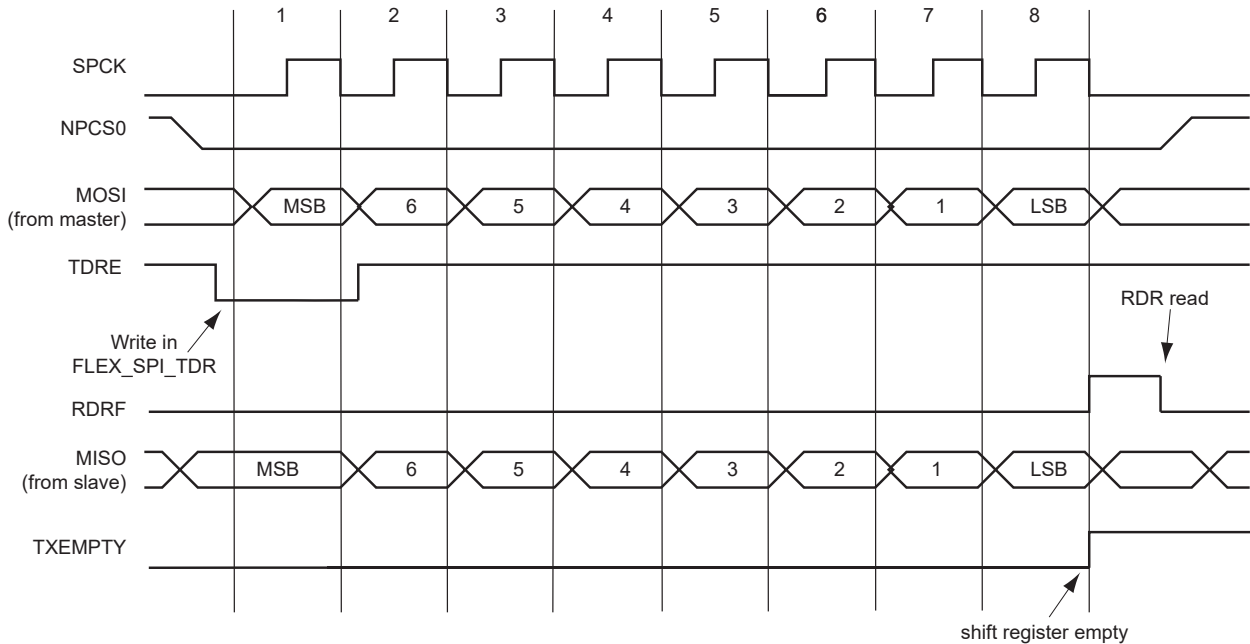


### 37.8.3.2 Master Mode Flowchart

Figure 37-45. Master Mode



The following figure shows the behavior of Transmit Data Register Empty (TDRE), Receive Data Register (RDRF) and Transmission Register Empty (TXEMPTY) status flags within FLEX\_SPI\_SR during an 8-bit data transfer in Fixed mode without the DMAC involved.

**Figure 37-46. Status Register Flags Behavior**

### 37.8.3.3 Clock Generation

The SPI bit rate clock is generated by dividing a source clock which can be the peripheral clock or a programmable clock from the GCLK. The divider can be a value between 1 and 255.

If the SCBR field is programmed to 1 and the clock source is GCLK, the operating bit rate is peripheral clock (refer to the section “Electrical Characteristics” for the SPCK maximum frequency). Triggering a transfer while SCBR is at 0 can lead to unpredictable results.

At reset, SCBR is 0 and the user has to program it to a valid value before performing the first transfer.

The divisor can be defined independently for each chip select, as it has to be programmed in the FLEX\_SPI\_CSR.SCBR field. This allows the SPI to automatically adapt the bit rate for each interfaced peripheral without reprogramming.

If GCLK is selected as source clock (FLEX\_SPI\_MR.BRSRCCLK = 1), the bit rate is independent of the processor/bus clock. Thus, the processor clock can be changed while SPI is enabled. The processor clock frequency changes must be performed only by programming the PMC\_MCKR.PRES field (refer to the section “Power Management Controller” (PMC)). Any other method to modify the processor/bus clock frequency (PLL multiplier, etc.) is forbidden when SPI is enabled.

The peripheral clock frequency must be at least three times higher than GCLK.

### 37.8.3.4 Transfer Delays

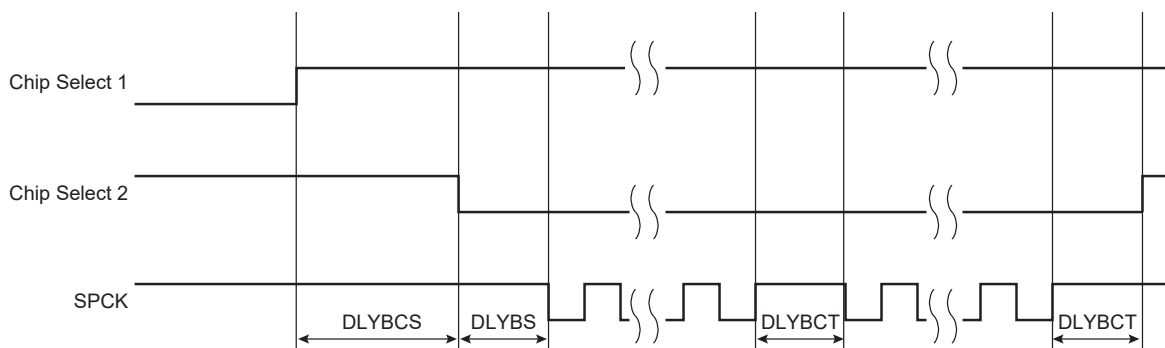
The figure below shows a chip select transfer change and consecutive transfers on the same chip select. Three delays can be programmed to modify the transfer waveforms:

- The delay between the chip selects. It is programmable only once for all chip selects by writing the FLEX\_SPI\_MR.DLYBCS field. The SPI slave device deactivation delay is managed through DLYBCS. If there is only one SPI slave device connected to the master, the DLYBCS field does not need to be configured. If several slave devices are connected to a master, DLYBCS must be configured depending on the highest deactivation delay. Refer to the SPI slave device electrical characteristics.

- The delay before SPCK, independently programmable for each chip select by writing the DLYBS field. The SPI slave device activation delay is managed through DLYBS. Refer to the SPI slave device electrical characteristics to define DLYBS.
- The delay between consecutive transfers, independently programmable for each chip select by writing the DLYBCT field. The time required by the SPI slave device to process received data is managed through DLYBCT. This time depends on the SPI slave system activity.

These delays allow the SPI to be adapted to the interfaced peripherals and their speed and bus release time.

**Figure 37-47.** Programmable Delays



### 37.8.3.5 Peripheral Selection

The serial peripherals are selected through the assertion of the NPCS0 to NPCS3 signals. By default, all NPCS signals are high before and after each transfer.

- Fixed Peripheral Select Mode: SPI exchanges data with only one peripheral. Fixed Peripheral Select mode is enabled by writing the FLEX\_SPI\_MR.PS bit to zero. In this case, the current peripheral is defined by the FLEX\_SPI\_MR.PCS field, and the FLEX\_SPI\_TDR.PCS field has no effect.
- Variable Peripheral Select Mode: Data can be exchanged with more than one peripheral without having to reprogram FLEX\_SPI\_MR.PCS. Variable Peripheral Select Mode is enabled by setting the FLEX\_SPI\_MR.PS bit to one. The FLEX\_SPI\_TDR.PCS field is used to select the current peripheral. This means that the peripheral selection can be defined for each new data. The value must be written in a single access to FLEX\_SPI\_TDR in the following format:

[xxxxxxx(7-bit) + LASTXFER(1-bit)<sup>(1)</sup> + xxxx(4-bit) + PCS (4-bit) + TD (8 to 16-bit data)]

with LASTXFER at 0 or 1 depending on the CSAAT bit, and PCS equal to the chip select to assert, as defined in section [SPI Transmit Data Register \(FLEX\\_SPI\\_TDR\)](#).

Note: 1. Optional

The CSAAT, LASTXFER and CSNAAT bits are discussed in section [Peripheral Deselection with DMA](#).

If LASTXFER is used, the command must be issued after writing the last character. Instead of LASTXFER, the user can use the SPIDIS command. After the end of the DMA transfer, it is necessary to wait for the TXEMPTY flag and then write SPIDIS into the SPI Control Register (FLEX\_SPI\_CR). This does not change the configuration register values. The NPCS is disabled after the last character transfer. Then, another DMA transfer can be started if the FLEX\_SPI\_CR.SPIEN bit has previously been written.

### 37.8.3.6 SPI Direct Access Memory Controller (DMAC)

In both Fixed and Variable modes, the Direct Memory Access Controller (DMAC) can be used to reduce processor overhead.



The fixed peripheral selection allows buffer transfers with a single peripheral. Using the DMAC is an optimal means, as the size of the data transfer between the memory and the SPI is either 8 bits or 16 bits. However, if the peripheral selection is modified, FLEX\_SPI\_MR must be reprogrammed.

The variable peripheral selection allows buffer transfers with multiple peripherals without reprogramming FLEX\_SPI\_MR. Data written in FLEX\_SPI\_TDR is 32 bits wide and defines the real data to be transmitted and the destination peripheral. Using the DMAC in this mode requires 32-bit wide buffers, with the data in the LSBs and the PCS and LASTXFER fields in the MSBs. However, the SPI still controls the number of bits (8 to 16) to be transferred through MISO and MOSI lines with the chip select configuration registers. This is not the optimal means in terms of memory size for the buffers, but it provides a very effective means to exchange data with several peripherals without any intervention of the processor.

### 37.8.3.7 Peripheral Chip Select Decoding

The user can program the SPI to operate with up to 15 slave peripherals by decoding the four chip select lines, NPCS0 to NPCS3 with an external decoder/demultiplexer (see the following figure). This can be enabled by setting the FLEX\_SPI\_MR.PCSDEC bit.

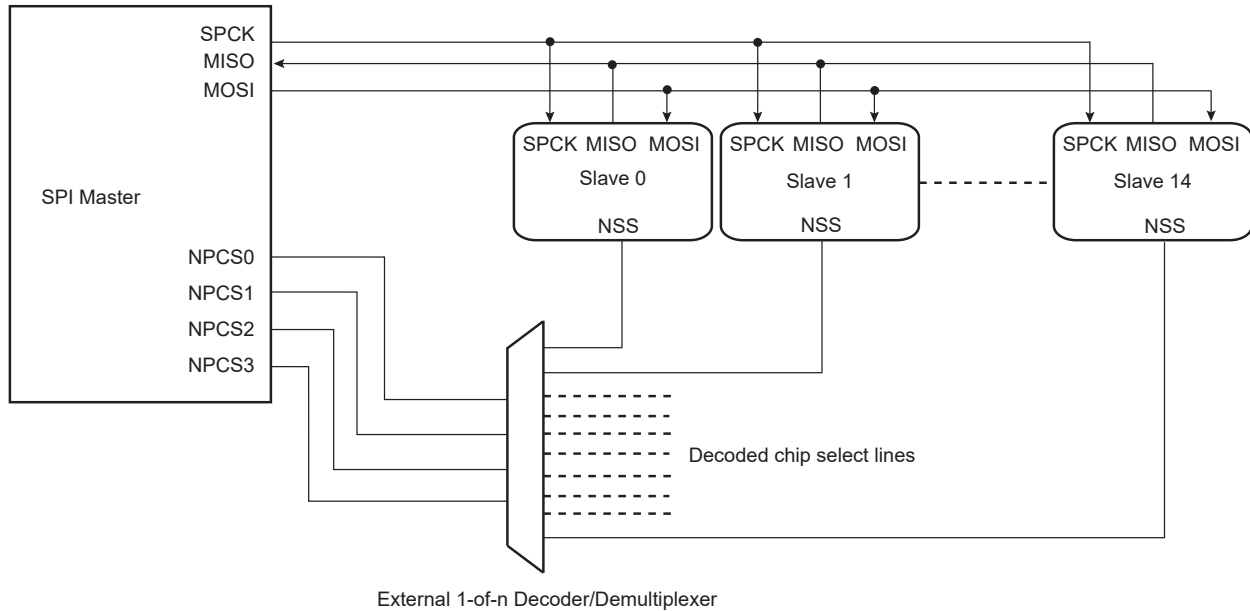
When operating without decoding, the SPI makes sure that in any case only one chip select line is activated, i.e., one NPCS line driven low at a time. If two bits are defined low in a PCS field, only the lowest numbered chip select is driven low.

When operating with decoding, the SPI directly outputs the value defined by the PCS field on the NPCS lines of either FLEX\_SPI\_MR or FLEX\_SPI\_TDR (depending on PS).

As the SPI sets a default value of 0xF on the chip select lines (i.e., all chip select lines at 1) when not processing any transfer, only 15 peripherals can be decoded.

The SPI has only four Chip Select registers. As a result, when external decoding is activated, each NPCS chip select defines the characteristics of up to four peripherals. As an example, FLEX\_SPI\_CRSD0 defines the characteristics of the externally decoded peripherals 0 to 3, corresponding to the PCS values 0x0 to 0x3. Consequently, the user has to make sure to connect compatible peripherals on the decoded chip select lines 0 to 3, 4 to 7, 8 to 11 and 12 to 14. The following figure shows this type of implementation.

If the CSAAT bit is used, with or without the DMAC, the mode fault detection for NPCS0 line must be disabled. This is not needed for all other chip select lines since mode fault detection is only on NPCS0.

**Figure 37-48.** Chip Select Decoding Application Block Diagram: Single Master/Multiple Slave Implementation

### 37.8.3.8 Peripheral Deselection without DMA

During a transfer of more than one data on a Chip Select without the DMA, FLEX\_SPI\_TDR is loaded by the processor, the TDRE flag rises as soon as the content of FLEX\_SPI\_TDR is transferred into the internal shift register. When this flag is detected high, FLEX\_SPI\_TDR can be reloaded. If this reload by the processor occurs before the end of the current transfer, and if the next transfer is performed on the same chip select as the current transfer, the Chip Select is not deasserted between the two transfers. But depending on the application software handling the SPI status register flags (by interrupt or polling method) or servicing other interrupts or other tasks, the processor may not reload FLEX\_SPI\_TDR in time to keep the chip select active (low). A null DLYBCT value (delay between consecutive transfers) in FLEX\_SPI\_CSR, gives even less time for the processor to reload FLEX\_SPI\_TDR. With some SPI slave peripherals, if the chip select line must remain active (low) during a full set of transfers, communication errors can occur.

To facilitate interfacing with such devices, the Chip Select registers [CSR0...CSR3] can be programmed with the Chip Select Active After Transfer (CSAAT) bit to 1. This allows the chip select lines to remain in their current state (low = active) until a transfer to another chip select is required. Even if FLEX\_SPI\_TDR is not reloaded, the chip select remains active. To de-assert the chip select line at the end of the transfer, the Last Transfer (LASTXFER) bit in FLEX\_SPI\_CR must be set after writing the last data to transmit into FLEX\_SPI\_TDR.

### 37.8.3.9 Peripheral Deselection with DMA

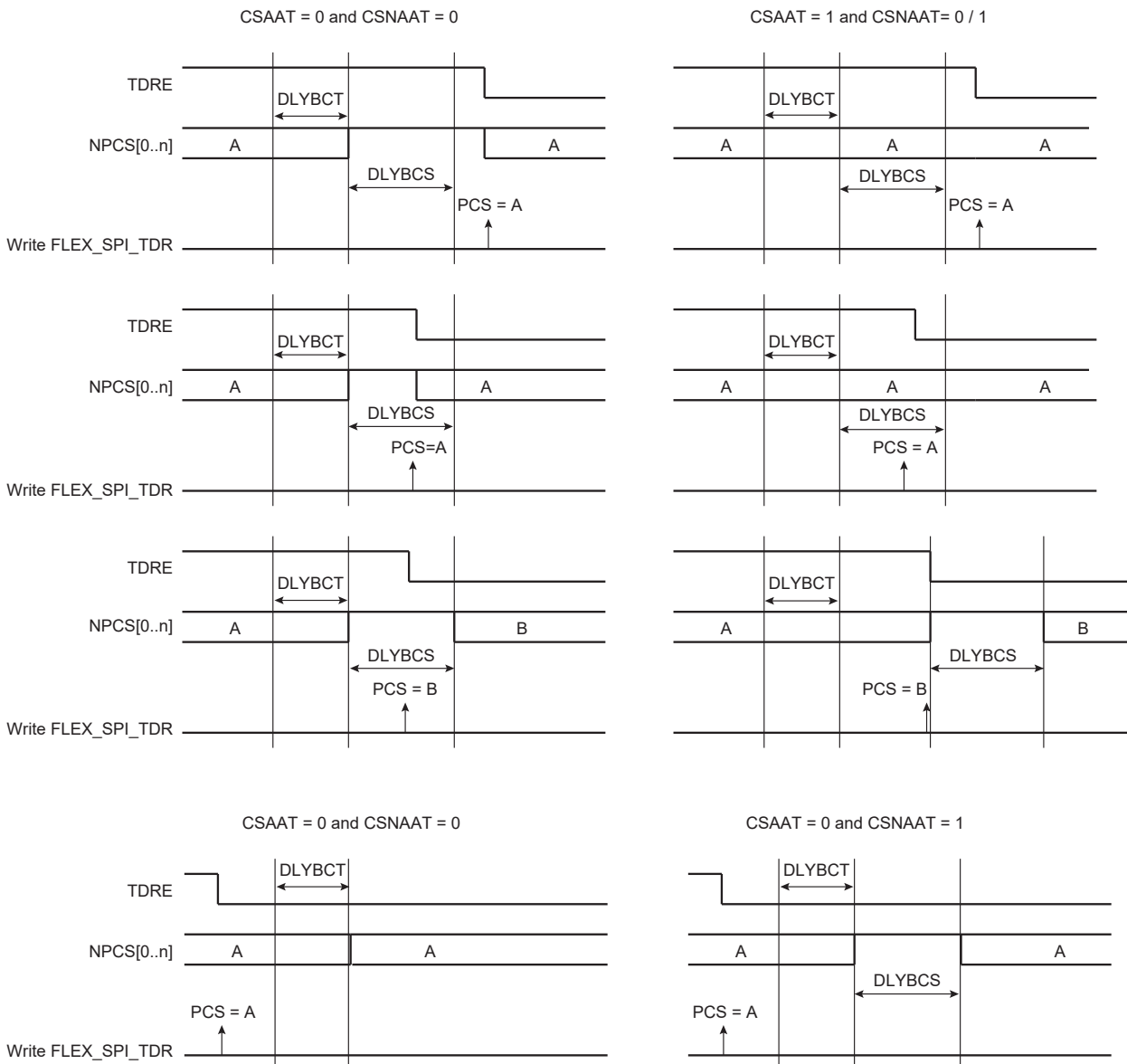
DMA provides faster reloads of FLEX\_SPI\_TDR compared to software. However, depending on the system activity, it is not guaranteed that FLEX\_SPI\_TDR is written with the next data before the end of the current transfer. Consequently, a data can be lost by the deassertion of the NPCS line for SPI slave peripherals requiring the chip select line to remain active between two transfers. The only way to guarantee a safe transfer in this case is the use of the CSAAT and LASTXFER bits.

When the CSAAT bit is cleared, the NPCS does not rise in all cases between two transfers on the same peripheral. During a transfer on a Chip Select, the TDRE flag rises as soon as the content of FLEX\_SPI\_TDR is transferred into the internal shift register. When this flag is detected, FLEX\_SPI\_TDR can be reloaded. If this reload occurs before the end of the current transfer and if the next transfer is performed on the same chip select as the current transfer, the Chip Select is not deasserted between the two transfers. This can lead to difficulties to interface with some serial peripherals requiring the chip select to be deasserted after each transfer. To facilitate interfacing with such devices, FLEX\_SPI\_CSR can be programmed with the Chip Select Not Active After Transfer (CSNAAT)

bit to 1. This allows the chip select lines to be deasserted systematically during a time “DLYBCS” (the value of the CSNAAT bit is processed only if the CSAAT bit is cleared for the same chip select).

The following figure shows different peripheral deselection cases and the effect of the CSAAT and CSNAAT bits.

**Figure 37-49.** Peripheral Deselection



### 37.8.3.10 Mode Fault Detection

The SPI has the capability to operate in multi-master environment. Consequently, the NPCS0/NSS line must be monitored. If one of the masters on the SPI bus is currently transmitting, the NPCS0/NSS line is low and the SPI must not transmit a data. A mode fault is detected when the SPI is programmed in Master mode and a low level is driven by an external master on the NPCS0/NSS signal. In multi-master environment, NPCS0, MOSI, MISO and SPCK pins must be configured in open drain (through the PIO controller). When a mode fault is detected, the FLEX\_SPI\_SR.MODF bit is set until FLEX\_SPI\_SR is read and the SPI is automatically disabled until it is re-enabled by writing the FLEX\_SPI\_CR.SPIEN bit to 1.

By default, the mode fault detection is enabled. The user can disable it by setting the FLEX\_SPI\_MR.MODFDIS bit.

#### 37.8.4 SPI Slave Mode

When operating in Slave mode, the SPI processes data bits on the clock provided on the SPI clock pin (SPCK).

The SPI waits until NSS goes active before receiving the serial clock from an external master. When NSS falls, the clock is validated and the data are loaded in FLEX\_SPI\_RDR according to the configuration value of the FLEX\_SPI\_CSR0.BITS field. These bits are processed following a phase and a polarity defined respectively by the FLEX\_SPI\_CSR0.NCPHA and FLEX\_SPI\_CSR0.CPOL bits. Note that the BITS field, CPOL bit and NCPHA bit of the other Chip Select registers have no effect when the SPI is programmed in Slave mode.

The bits are shifted out on the MISO line and sampled on the MOSI line.

**Note:** For more information on the BITS field, see also the note below the FLEX\_SPI\_CSRx register bitmap in section [SPI Chip Select Register](#)

When all bits are processed, the received data are transferred in FLEX\_SPI\_RDR and the RDRF bit rises. If FLEX\_SPI\_RDR has not been read before new data are received, the Overrun Error bit (OVRES) in FLEX\_SPI\_SR is set. As long as this flag is set, data are loaded in FLEX\_SPI\_RDR. The user must read FLEX\_SPI\_SR to clear the OVRES bit.

When a transfer starts, the data shifted out is the data present in the shift register. If no data has been written in FLEX\_SPI\_TDR, the last data received is transferred. If no data has been received since the last reset, all bits are transmitted low, as the shift register resets to 0.

When a first data is written in FLEX\_SPI\_TDR, it is transferred immediately in the shift register and the TDRE flag rises. If new data is written, it remains in FLEX\_SPI\_TDR until a transfer occurs, i.e., NSS falls and there is a valid clock on the SPCK pin. When the transfer occurs, the last data written in FLEX\_SPI\_TDR is transferred in the shift register and the TDRE flag rises. This enables frequent updates of critical variables with single transfers.

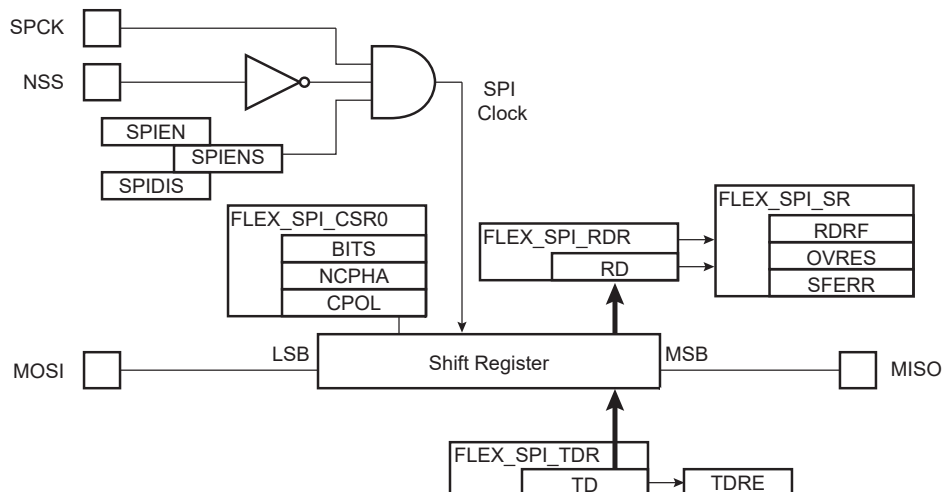
Then, a new data is loaded in the shift register from FLEX\_SPI\_TDR. If no character is ready to be transmitted, i.e., no character has been written in FLEX\_SPI\_TDR since the last load from FLEX\_SPI\_TDR to the shift register, FLEX\_SPI\_TDR is retransmitted. In this case the Underrun Error Status Flag (UNDES) is set in FLEX\_SPI\_SR.

If NSS rises between two characters, it must be kept high for two MCK clock periods or more and the next SPCK capture edge must not occur less than four MCK periods after NSS rise.

In slave mode, if the NSS line rises and the received character length does not match the configuration defined in FLEX\_SPI\_CSR0.BITS, the flag SFERR is set in FLEX\_SPI\_SR.

The following figure shows a block diagram of the SPI when operating in Slave mode.

Figure 37-50. Slave Mode Functional Block Diagram



### 37.8.5 SPI Comparison Function on Received Character

The comparison is only relevant for SPI Slave mode (MSTR = 0 in FLEX\_US\_MR).

In Active mode, the CMP flag in FLEX\_SPI\_SR is raised. It is set when the received character matches the conditions programmed in the SPI Comparison Register (FLEX\_SPI\_CMPR). The CMP flag is set as soon as FLEX\_SPI\_RDR is loaded with the new received character. The CMP flag is cleared by reading FLEX\_SPI\_SR.

The SPI Comparison Register (FLEX\_SPI\_CMPR) can be programmed to provide different comparison methods. These are listed below:

- If VAL1 equals VAL2, then the comparison is performed on a single value and the flag is set to 1 if the received character equals VAL1.
- If VAL1 is strictly lower than VAL2, then any value between VAL1 and VAL2 sets the CMP flag.
- If VAL1 is strictly higher than VAL2, then the flag CMP is set to 1 if any received character equals VAL1 or VAL2.

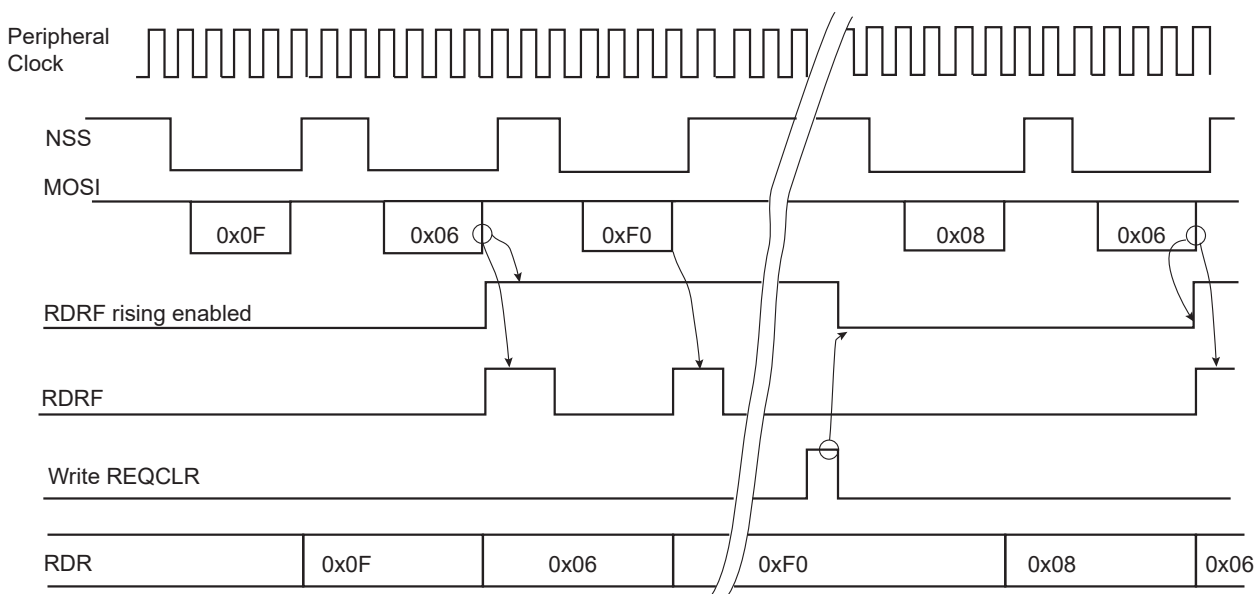
When FLEX\_SPI\_MR.CMPMODE is cleared, all received data is loaded in FLEX\_SPI\_RDR and the CMP flag provides the status of the comparison result.

By setting the CMPMODE bit, the comparison result triggers the start of FLEX\_SPI\_RDR loading (see figure below). The trigger condition exists as soon as the received character value matches the conditions defined by VAL1 and VAL2 in FLEX\_SPI\_CMPR. The comparison trigger event is restarted by writing a 1 to the FLEX\_SPI\_CR.REQCLR bit.

The value programmed in VAL1 and VAL2 fields must not exceed the maximum value of the received character (see BITS field in SPI Chip Select Register (FLEX\_SPI\_CSR)).

**Figure 37-51.** Receive Data Register Management

CMPMODE = 1, VAL1 = VAL2 = 0x06



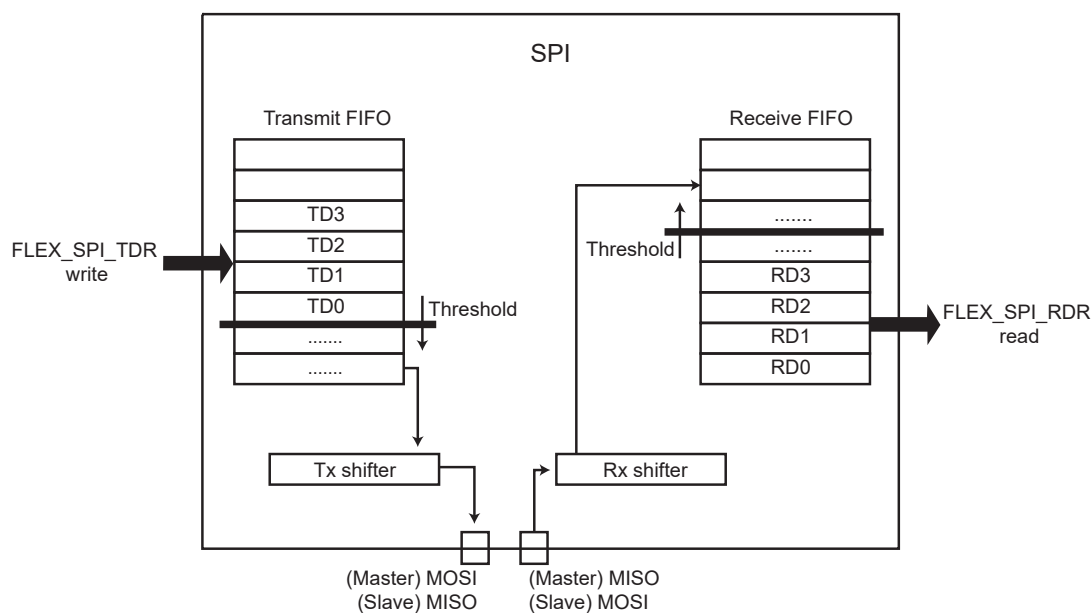
## 37.8.6 SPI FIFOs

### 37.8.6.1 Overview

The SPI includes two FIFOs which can be enabled/disabled using the FLEX\_SPI\_CR.FIFOEN/FIFODIS. The SPI module must be disabled before enabling or disabling the SPI FIFOs (FLEX\_SPI\_CR.SPIDIS).

Writing FLEX\_SPI\_CR.FIFOEN to '1' enables a FIFO\_DEPTH-data Transmit FIFO and a FIFO\_DEPTH-data Receive FIFO.

It is possible to write or to read single or multiple data in the same access to FLEX\_SPI\_TDR/RDR. See sections [SPI Single Data Mode](#) and [SPI Multiple Data Mode](#).

**Figure 37-52.** FIFOs Block Diagram

### 37.8.6.2 Sending Data with FIFO Enabled

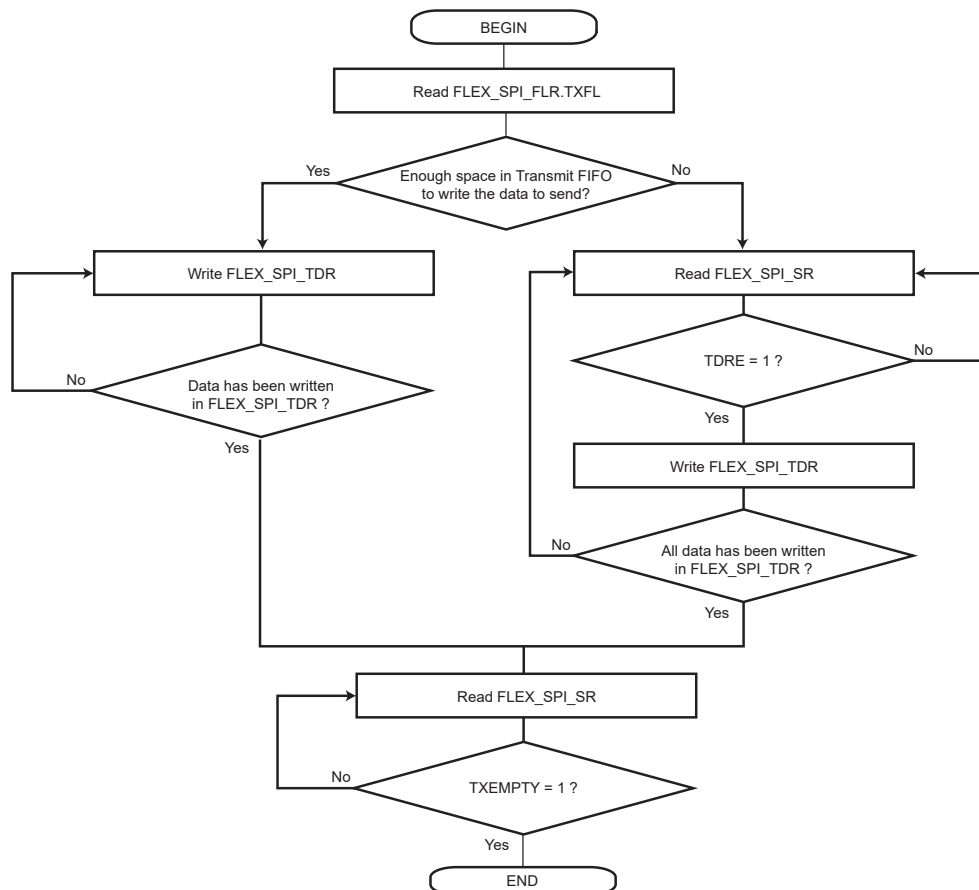
When the Transmit FIFO is enabled, write access to FLEX\_SPI\_TDR loads the Transmit FIFO.

The FIFO level is provided in FLEX\_SPI\_FLR.TXFL. If the FIFO can accept the number of data to be transmitted, there is no need to monitor FLEX\_SPI\_SR.TDRE and the data can be successively written in FLEX\_SPI\_TDR.

If the FIFO cannot accept the data due to insufficient space, wait for the TDRE flag to be set before writing the data in FLEX\_SPI\_TDR.

When the space in the FIFO allows only a portion of the data to be written, the TDRE flag must be monitored before writing the remaining data.

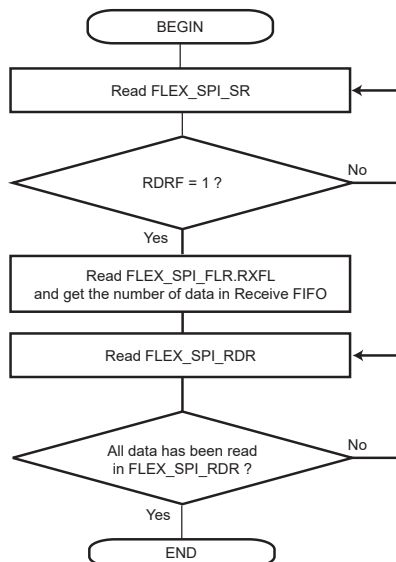
**Figure 37-53.** Sending Data with FIFO Enabled



### 37.8.6.3 Receiving Data with FIFO Enabled

When the Receive FIFO is enabled, FLEX\_SPI\_RDR access reads the FIFO.

When data are present in the Receive FIFO (RDRF flag set to '1'), the exact number of data can be checked with FLEX\_SPI\_FLR.RXFL. All the data can be read successively in FLEX\_SPI\_RDR without checking the RDRF flag between each access.

**Figure 37-54.** Receiving Data with FIFO Enabled

#### 37.8.6.4 Clearing/Flushing FIFOs

Each FIFO can be cleared/flushed using FLEX\_SPI\_CR.TXFCLR/RXFCLR.

#### 37.8.6.5 TXEMPTY, TDRE and RDRF Behavior

FLEX\_SPI\_SR.TXEMPTY, FLEX\_SPI\_SR.TDRE and FLEX\_SPI\_SR.RDRF flags display a specific behavior when FIFOs are enabled.

The TXEMPTY flag is cleared as long as there are characters in the Transmit FIFO or in the internal shift register. TXEMPTY is set when there are no characters in the Transmit FIFO and in the internal shift register.

TDRE indicates if a data can be written in the Transmit FIFO. Thus the TDRE flag is set as long as the Transmit FIFO can accept new data. See figure [TDRE in Single Data Mode and TXRDYM = 0](#).

RDRF indicates if an unread data is present in the Receive FIFO. Thus the RDRF flag is set as soon as one unread data is in the Receive FIFO. See figure [RDRF in Single Data Mode and RXRDYM = 0](#).

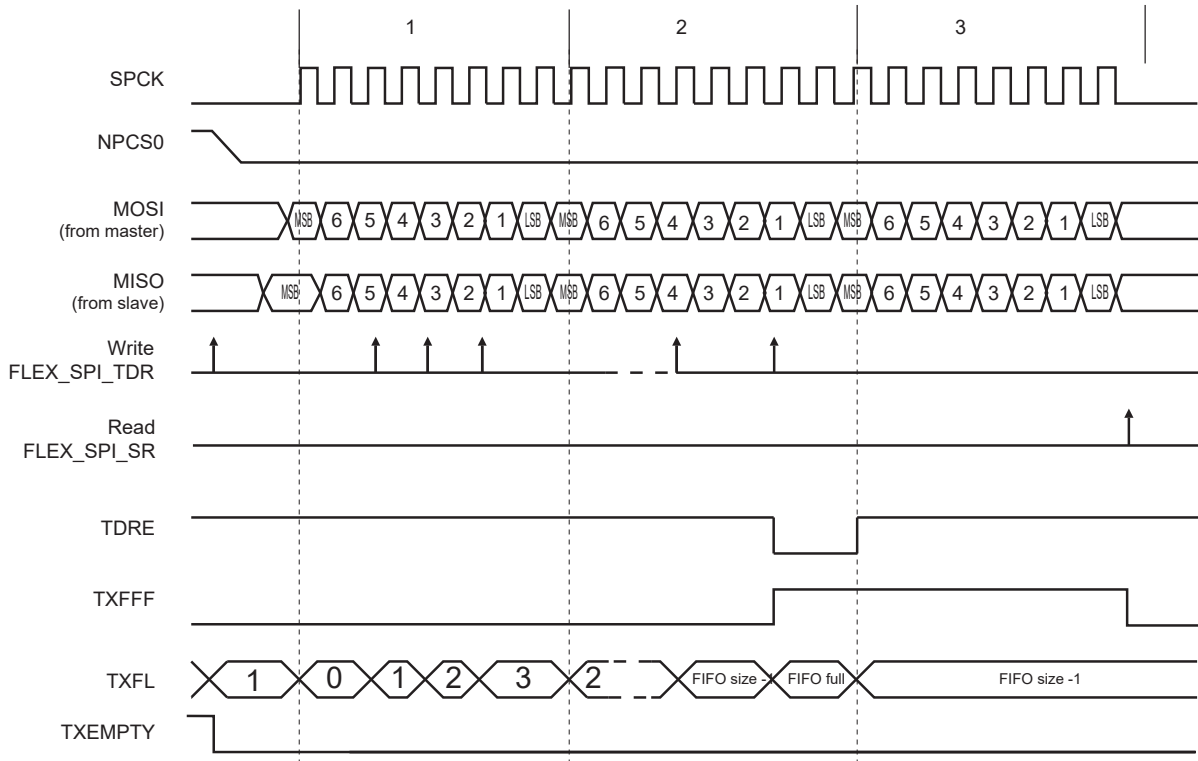
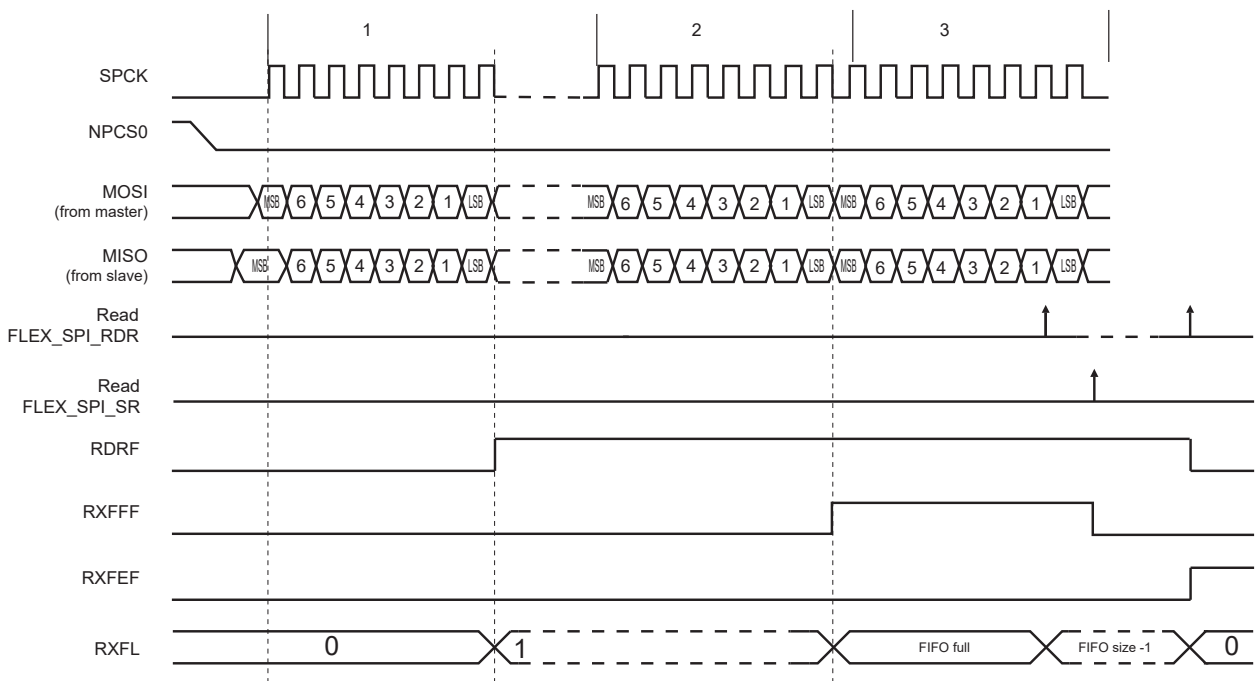
TDRE and RDRF behavior can be modified using the TXRDYM and RXRDYM fields in the SPI FIFO Mode Register (FLEX\_SPI\_FMR) to reduce the number of accesses to FLEX\_SPI\_TDR/RDR. However, for some configurations, the following constraints apply:

- When the Variable Peripheral Select mode is used (FLEX\_SPI\_MR.PS=1), TXRDYM/RXRDYM must be cleared.
- In Master mode (FLEX\_SPI\_MR.MSTR=1), RXRDYM must be cleared.

As an example, in Master mode, the Transmit FIFO can be loaded with multiple data in the same access by configuring TXRDYM>0.

See SPI FIFO Mode Register ([FLEX\\_SPI\\_FMR](#)) for the FIFO configuration.



**Figure 37-55.** TDRE in Single Data Mode and TXRDYM = 0**Figure 37-56.** RDRF in Single Data Mode and RXRDYM = 0

### 37.8.6.6 SPI Single Data Mode

In Single Data mode, only one data is written every time FLEX\_SPI\_TDR is accessed, and only one data is read every time FLEX\_SPI\_RDR is accessed.

When FLEX\_SPI\_FMR.TXRDYM = 0, the Transmit FIFO operates in Single Data mode.

When FLEX\_SPI\_FMR.RXRDYM = 0, the Receive FIFO operates in Single Data mode.

If Master mode is used (FLEX\_SPI\_MR.MSTR=1), the Receive FIFO must operate in Single Data mode.

If Variable Peripheral Select mode is used (FLEX\_SPI\_MR.PS=1), the Transmit FIFO must operate in Single Data mode.

See sections [SPI Transmit Data Register](#) and [SPI Receive Data Register](#).

### 37.8.6.6.1 DMAC

When FIFOs operate in Single Data mode, the DMAC transfer type must be configured either in bytes, halfwords or words depending on FLEX\_SPI\_MR.PS bit value and FLEX\_SPI\_CSRx.BITS field value.

The same applies when FIFOs are disabled.

### 37.8.6.7 SPI Multiple Data Mode

Multiple Data mode minimizes the number of accesses by concatenating the data to send/read in one access.

When FLEX\_SPI\_FMR.TXRDYM > 0, the Transmit FIFO operates in Multiple Data mode.

When FLEX\_SPI\_FMR.RXRDYM > 0, the Receive FIFO operates in Multiple Data mode.

Multiple data can be read from the Receive FIFO only in Slave mode (FLEX\_SPI\_MR.MSTR=0).

The Transmit FIFO can be loaded with multiple data in the same access by configuring TXRDYM>0 and when FLEX\_SPI\_MR.PS=0.

In Multiple Data mode, up to two data can be written in one FLEX\_SPI\_TDR write access. It is also possible to read up to four data in one FLEX\_SPI\_RDR access if FLEX\_SPI\_CSRx.BITS is configured to '0' (8-bit data size) and up to two data if FLEX\_SPI\_CSRx.BITS is configured to a value other than '0' (more than 8-bit data size).

The number of data to write/read is defined by the size of the register access. If the access is a byte-size register access, only one data is written/read. If the access is a halfword size register access, then up to two data are read and only one data is written. Lastly, if the access is a word-size register access, then up to four data are read and up to two data are written.

Written/read data are always right-aligned, as described in sections [SPI Receive Data Register \(FIFO Multiple Data, 8-bit\)](#), [SPI Receive Data Register \(FIFO Multiple Data, 16-bit\)](#) and [SPI Transmit Data Register \(FIFO Multiple Data, 8- to 16-bit\)](#).

As an example, if the Transmit FIFO is empty and there are six data to send, either of the following write accesses may be performed:

- six FLEX\_SPI\_TDR-byte write accesses
- three FLEX\_SPI\_TDR-halfword write accesses

With a Receive FIFO containing six data, any of the following read accesses may be performed:

- six FLEX\_SPI\_RDR-byte read accesses
- three FLEX\_SPI\_RDR-halfword read accesses
- one FLEX\_SPI\_RDR-word read access and one FLEX\_SPI\_RDR-halfword read access

#### 37.8.6.7.1 TDRE and RDRF Configuration

In Multiple Data mode, it is possible to write one or more data in the same FLEX\_SPI\_TDR/RDR access. The TDRE flag indicates if one or more data can be written in the FIFO depending on the configuration of FLEX\_SPI\_FMR.TXRDYM/RXRDYM.

As an example, if two data are written each time in FLEX\_SPI\_TDR, it is useful to configure the TXRDYM field to the value '1' so that the TDRE flag is at '1' only when at least two data can be written in the Transmit FIFO.

Similarly, if four data are read each time in FLEX\_SPI\_RDR, it is useful to configure the RXRDYM field to the value '2' so that the RDRF flag is at '1' only when at least four unread data are in the Receive FIFO.

### 37.8.6.7.2 DMAC

It is mandatory to configure DMAC channel size (byte, halfword or word) according to FLEX\_SPI\_FMR.TXRDYM/RXRDYM configuration. See section [SPI Multiple Data Mode](#) for constraints.

### 37.8.6.8 FIFO Pointer Error

A FIFO overflow is reported in FLEX\_SPI\_SR.

If the Transmit FIFO is full and a write access is performed on FLEX\_SPI\_TDR, it generates a Transmit FIFO pointer error and sets FLEX\_SPI\_SR.TXFPTEF.

In Multiple Data mode, if the number of data written in FLEX\_SPI\_TDR (according to the register access size) is greater than the free space in the Transmit FIFO, a Transmit FIFO pointer error is generated and FLEX\_SPI\_SR.TXFPTEF is set.

A FIFO underflow is reported in FLEX\_SPI\_SR.

In Multiple Data mode, if the number of data read in FLEX\_SPI\_RDR (according to the register access size) is greater than the number of unread data in the Receive FIFO, a Receive FIFO pointer error is generated and FLEX\_SPI\_SR.RXFPTEF is set.

No pointer error occurs if the FIFO state/level is checked before writing/reading in FLEX\_SPI\_TDR/SPI\_RDR. The FIFO state/level can be checked either with TXRDY, RXRDY, TXFL or RXFL. When a pointer error occurs, other FIFO flags may not behave as expected; their states should be ignored.

If a pointer error occurs, a software reset must be performed using FLEX\_SPI\_CR.SWRST (configuration will be lost).

### 37.8.6.9 FIFO Thresholds

Each Transmit and Receive FIFO includes a threshold feature used to set a flag and an interrupt when a FIFO threshold is crossed. Thresholds are defined as a number of data in the FIFO, and the FIFO state (TXFL or RXFL) represents the number of data currently in the FIFO.

The Transmit FIFO threshold can be set using the field FLEX\_SPI\_FMR.TXFTHRES. Each time the Transmit FIFO level goes from 'above threshold' to 'equal to or below threshold', the flag FLEX\_SPI\_SR.TXFTHF is set. The application is warned that the Transmit FIFO has reached the defined threshold and that it can be reloaded.

The Receive FIFO threshold can be set using the field FLEX\_SPI\_FMR.RXFTHRES. Each time the Receive FIFO level goes from 'below threshold' to 'equal to or above threshold', the flag FLEX\_SPI\_SR.RXFTHF is set. The application is warned that the Receive FIFO has reached the defined threshold and that it can be read to prevent an underflow.

The TXFTHF and RXFTHF flags can be configured to generate an interrupt using FLEX\_SPI\_IER and FLEX\_SPI\_IDR.

### 37.8.6.10 FIFO Flags

FIFOs come with a set of flags which can be configured to generate interrupts through FLEX\_SPI\_IER and FLEX\_SPI\_IDR.

FIFO flags state can be read in FLEX\_SPI\_SR. They are cleared when FLEX\_SPI\_SR is read.

## 37.8.7 SPI Register Write Protection

The FLEXCOM operating mode (FLEX\_MR.OPMODE) must be set to FLEX\_MR.OPMODE\_SPI to enable access to the write protection registers.

To prevent any single software error from corrupting SPI behavior, certain registers in the address space can be write-protected by setting the WPEN (Write Protection Enable), WPITEN (Write

Protection Interrupt Enable), and/or WPCREN (Write Protection Control Enable) bits in the SPI Write Protection Mode Register (FLEX\_SPI\_WPMR).

If a write access to a write-protected register is detected, the Write Protection Violation Status (WPVS) flag in the SPI Write Protection Status Register (FLEX\_SPI\_WPSR) is set and the Write Protection Violation Source (WPVSR) field indicates the register in which the write access has been attempted.

The WPVS bit is automatically cleared after reading FLEX\_SPI\_WPSR.

The following registers can be write-protected when WPEN is set:

- SPI Mode Register
- SPI Chip Select Register
- SPI Comparison Register

The following registers can be write-protected when WPITEN is set:

- SPI Interrupt Enable Register
- SPI Interrupt Disable Register

The following register can be write-protected when WPCREN is set:

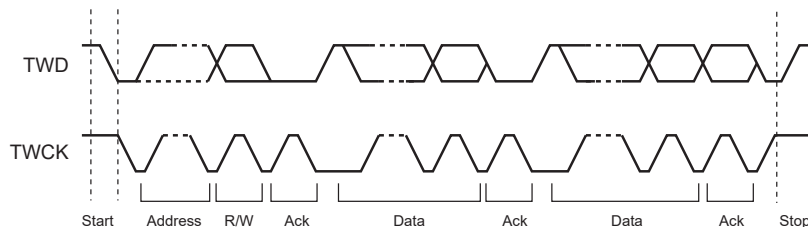
- SPI Control Register

## 37.9 TWI Functional Description

### 37.9.1 Transfer Format

The data put on the TWD line must be 8 bits long. Data are transferred MSB first; each byte must be followed by an acknowledgement. The number of bytes per transfer is unlimited (see figure below).

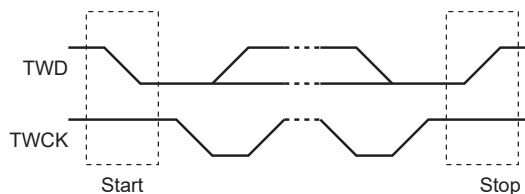
Figure 37-57. Transfer Format



Each transfer begins with a START condition and terminates with a STOP condition (see figure below).

- A high-to-low transition on the TWD line while TWCK is high defines the START condition.
- A low-to-high transition on the TWD line while TWCK is high defines a STOP condition.

Figure 37-58. START and STOP Conditions



### 37.9.2 Modes of Operation

The TWI has different modes of operation:

- Master Transmitter mode (Standard and Fast modes only)
- Master Receiver mode (Standard and Fast modes only)
- Multi-master Transmitter mode (Standard and Fast modes only)
- Multi-master Receiver mode (Standard and Fast modes only)
- Slave Transmitter mode (Standard, Fast and High-speed modes)
- Slave Receiver mode (Standard, Fast and High-speed modes)

These modes are described in the following sections.

### 37.9.3 Master Mode

#### 37.9.3.1 Definition

The master is the device that starts a transfer, generates a clock and stops it.

#### 37.9.3.2 Programming Master Mode

The following fields must be programmed before entering Master mode:

1. DADR (+ IADRSZ + IADR if a 10-bit device is addressed): The device address is used to access slave devices in Read or Write mode.
2. CWGR + CKDIV + CHDIV + CLDIV: Clock waveform.
3. SVDIS: Disables Slave mode.
4. MSEN: Enables Master mode.

**Note:** If the TWI is already in Master mode, the device address (DADR) can be configured without disabling the Master mode.

#### 37.9.3.3 Transfer Speed/Bit Rate

The TWI speed is defined in FLEX\_TWI\_CWGR. The TWI bit rate can be based either on the peripheral clock if the BRSRCCLK bit value is 0 or on a programmable clock source provided by the GCLK if the BRSRCCLK bit value is 1.

If BRSRCCLK = 1, the bit rate is independent of the processor/peripheral clock and thus processor/peripheral clock frequency can be changed without affecting the TWI transfer rate.

The GCLK frequency must be at least three times lower than the peripheral clock frequency.

#### 37.9.3.4 Master Transmitter Mode

After the master initiates a START condition when writing into the Transmit Holding register FLEX\_TWI\_THR, it sends a 7-bit slave address, configured in the Master Mode Register (DADR in FLEX\_TWI\_MMR), to notify the slave device. The bit following the slave address indicates the transfer direction, 0 in this case (FLEX\_TWI\_MMR.MREAD = 0).

The TWI transfers require the slave to acknowledge each received byte. During the acknowledge clock pulse (ninth pulse), the master releases the data line (HIGH), enabling the slave to pull it down in order to generate the acknowledge. If the slave does not acknowledge the byte, then the Not Acknowledge flag (NACK) is set in the TWI Status Register (FLEX\_TWI\_SR) of the master and a STOP condition is sent. Alternatively, if the FLEX\_TWI\_MMR.NOAP bit is set, no stop condition will be sent and a START or STOP condition must be triggered manually through the FLEX\_TWI\_CR.START or FLEX\_TWI\_CR.STOP bit once the software is ready for the transmission of the condition. The NACK flag must be cleared by reading the TWI Status Register (FLEX\_TWI\_SR) before the next write into the TWI Transmit Holding Register (FLEX\_TWI\_THR). As with the other status bits, an interrupt can be generated if enabled in the interrupt enable Register (FLEX\_TWI\_IER). If the slave acknowledges the byte, the data written in FLEX\_TWI\_THR is then shifted in the internal shifter and transferred. When an acknowledge is detected, the TXRDY bit is set until a new write in FLEX\_TWI\_THR.

TXRDY is used as transmit ready for the DMA transmit channel.

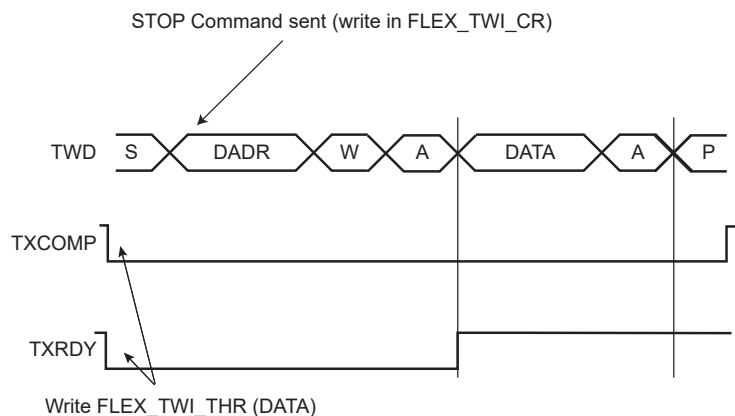
**Note:** To clear the TXRDY flag in Master mode, write the FLEX\_TWI\_CR.MSDIS bit to 1, then write the FLEX\_TWI\_CR.MSEN bit to 1.

While no new data is written in FLEX\_TWI\_THR, the serial clock line is tied low. When new data is written in FLEX\_TWI\_THR, the SCL is released and the data is sent. To generate a STOP event, the STOP command must be performed by writing in the STOP field of the TWI Control Register (FLEX\_TWI\_CR).

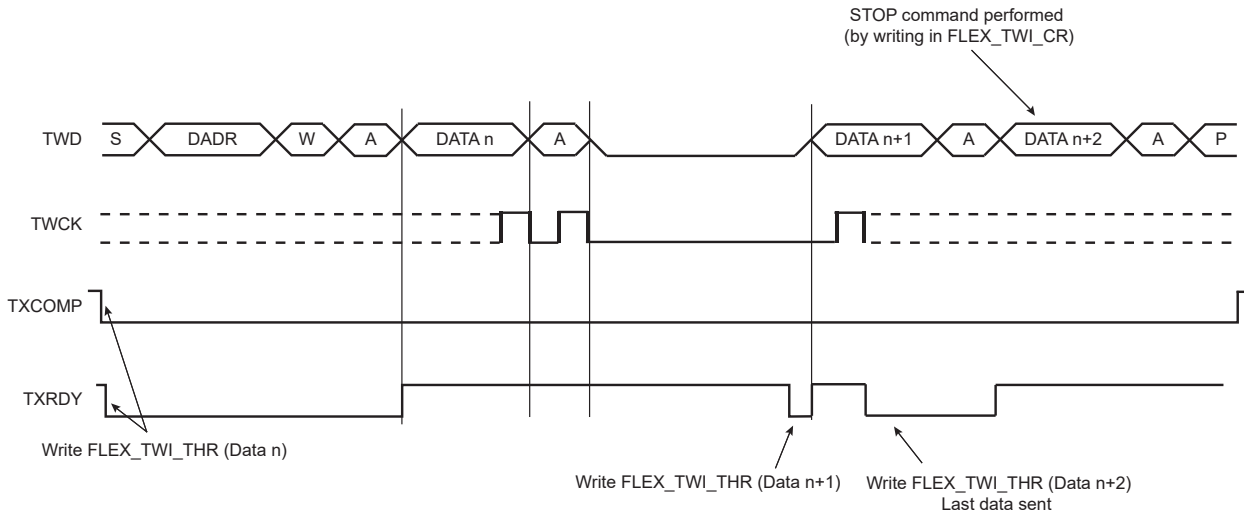
After a master write transfer, the Serial Clock line is stretched (tied low) while no new data is written in FLEX\_TWI\_THR or until a STOP command is performed.

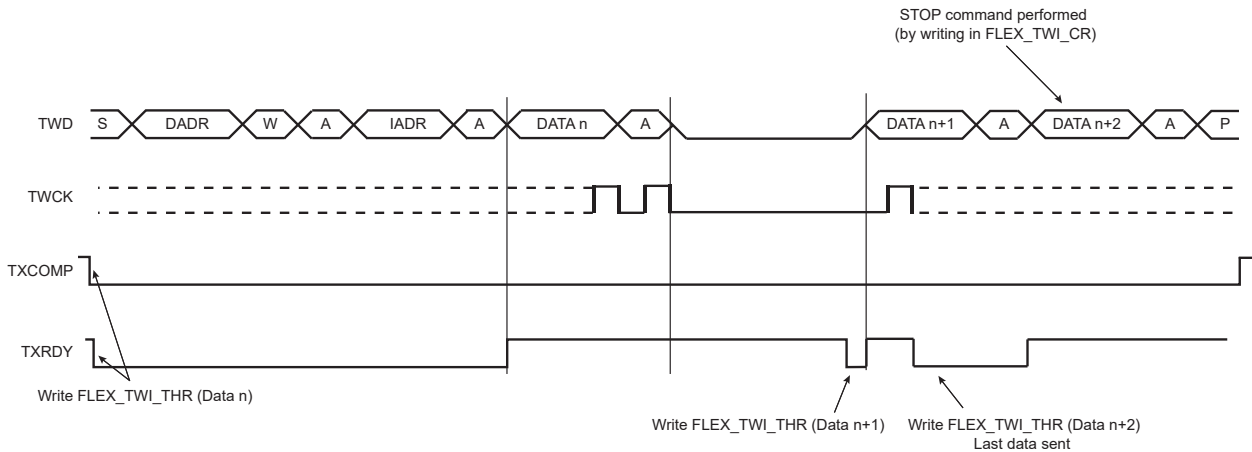
See the following figures.

**Figure 37-59. Master Write with One Data Byte**



**Figure 37-60. Master Write with Multiple Data Bytes**



**Figure 37-61. Master Write with One Byte Internal Address and Multiple Data Bytes**

### 37.9.3.5 Master Receiver Mode

Master Receiver mode is not available if High-speed mode is selected.

The read sequence begins by setting the START bit. After the start condition has been sent, the master sends a 7-bit slave address to notify the slave device. The bit following the slave address indicates the transfer direction, 1 in this case (`FLEX_TWI_MMR.MREAD = 1`). During the acknowledge clock pulse (9th pulse), the master releases the data line (HIGH), enabling the slave to pull it down in order to generate the acknowledge. The master polls the data line during this clock pulse and sets the `FLEX_TWI_SR.NACK` bit if the slave does not acknowledge the byte.

If an acknowledge is received, the master is then ready to receive data from the slave. After data has been received, the master sends an acknowledge condition to notify the slave that the data has been received except for the last data (see figure "Master Read with One Data Byte" below). When the `FLEX_TWI_SR.RXRDY` bit is set, a character has been received in the Receive Holding Register (`FLEX_TWI_RHR`). The `RXRDY` bit is reset when reading `FLEX_TWI_RHR`.

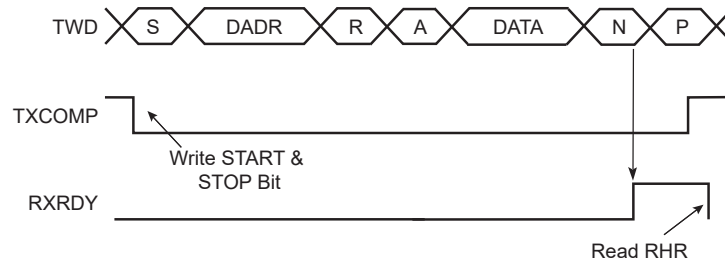
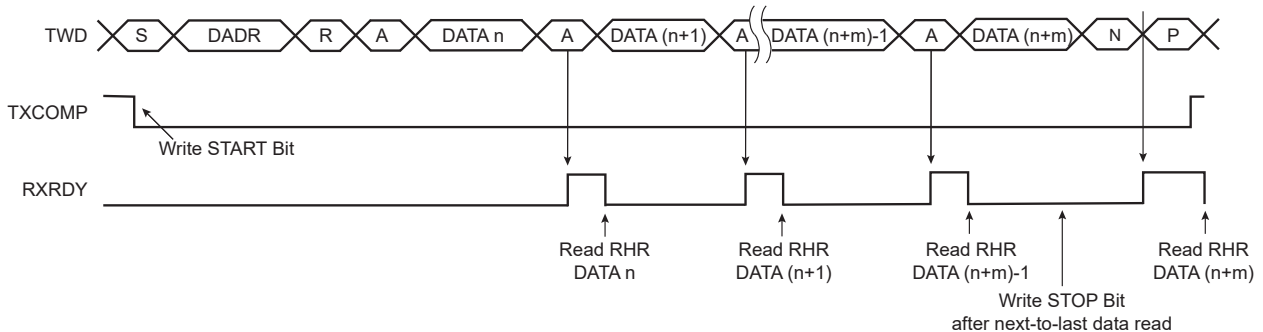
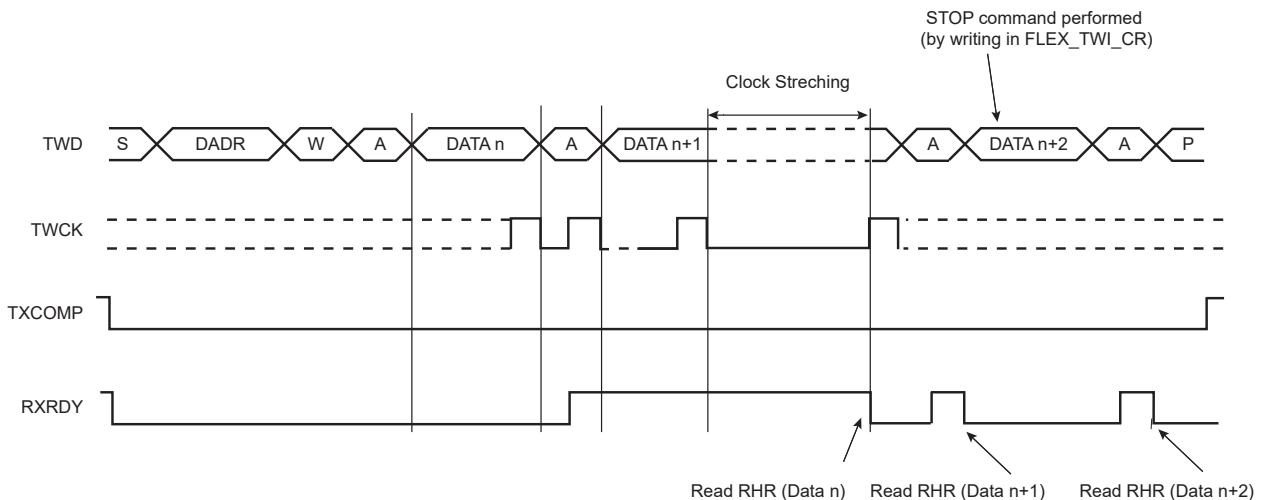
When a single data byte read is performed, with or without internal address (IADR), the START and STOP bits must be set at the same time. See figure "Master Read with One Data Byte" below. When a multiple data byte read is performed, with or without internal address (IADR), the STOP bit must be set after the next-to-last data received (same condition applies for START bit to generate a repeated start). See figure "Master Read with Multiple Data Bytes" below. For internal address usage, see section [Internal Address](#).

If `FLEX_TWI_RHR` is full (`RXRDY` high) and the master is receiving data, the serial clock line will be tied low before receiving the last bit of the data and until `FLEX_TWI_RHR` is read. Once `FLEX_TWI_RHR` is read, the master will stop stretching the serial clock line and end the data reception. See figure "Master Read Clock Stretching with Multiple Data Bytes" below.



**WARNING** When receiving multiple bytes in Master Read mode, if the next-to-last access is not read (the `RXRDY` flag remains high), the last access will not be completed until `FLEX_TWI_RHR` is read. The last access stops on the next-to-last bit (clock stretching). When `FLEX_TWI_RHR` is read there is only half a bit period to send the STOP bit (or START bit) command, else another read access might occur (spurious access).

A possible workaround is to set the STOP bit (or START bit) before reading `FLEX_TWI_RHR` on the next-to-last access (within IT handler).

**Figure 37-62. Master Read with One Data Byte****Figure 37-63. Master Read with Multiple Data Bytes****Figure 37-64. Master Read Clock Stretching with Multiple Data Bytes**

RXRDY is used as receive ready trigger event for the DMA receive channel.

### 37.9.3.6 Internal Address

The TWI interface can perform transfers with 7-bit slave address devices and with 10-bit slave address devices.

#### 37.9.3.6.1 7-bit Slave Addressing

When addressing 7-bit slave devices, the internal address bytes are used to perform random address (read or write) accesses to reach one or more data bytes, e.g., within a memory page location in a serial memory. When performing read operations with an internal address, the TWI performs a write operation to set the internal address into the slave device, and then switch to Master Receiver mode. Note that the second start condition (after sending the IADR) is sometimes called “repeated start” (Sr) in I<sup>2</sup>C fully-compatible devices. See figure [Master Read with One, Two or Three Bytes Internal Address and One Data Byte](#).



See figures [Master Write with One, Two or Three Bytes Internal Address and One Data Byte](#) and [Internal Address Usage](#) for the master write operation with internal address.

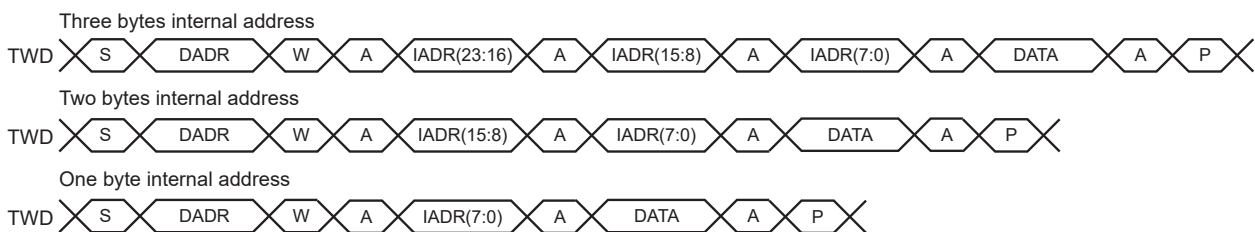
The three internal address bytes are configurable through the Master Mode Register (FLEX\_TWI\_MMR).

If the slave device supports only a 7-bit address, i.e., no internal address, IADRSZ must be configured to 0.

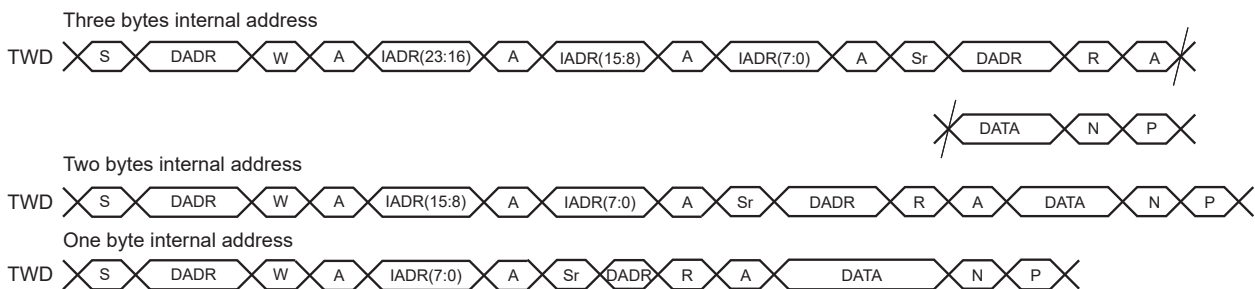
The abbreviations listed below are used in the following figures:

S	Start
Sr	Repeated Start
P	Stop
W	Write
R	Read
A	Acknowledge
N	Not Acknowledge
DADR	Device Address
IADR	Internal Address

**Figure 37-65. Master Write with One, Two or Three Bytes Internal Address and One Data Byte**



**Figure 37-66. Master Read with One, Two or Three Bytes Internal Address and One Data Byte**



### 37.9.3.6.2 10-bit Slave Addressing

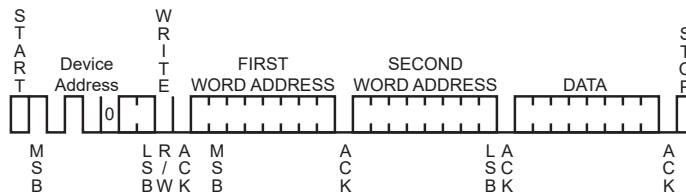
For a slave address higher than seven bits, the user must configure the address size (IADRSZ) and set the other slave address bits in the Internal Address Register (FLEX\_TWI\_IADR). The two remaining internal address bytes, IADR[15:8] and IADR[23:16], can be used the same way as in 7-bit slave addressing.

Example: Address a 10-bit device (10-bit device address is b1 b2 b3 b4 b5 b6 b7 b8 b9 b10)

1. Program IADRSZ = 1
2. Program DADR with 1 1 1 1 0 b1 b2 (b1 is the MSB of the 10-bit address, b2, etc.)
3. Program FLEX\_TWI\_IADR with b3 b4 b5 b6 b7 b8 b9 b10 (b10 is the LSB of the 10-bit address)

The following figure shows a byte write to a TWI EEPROM. This demonstrates the use of internal addresses to access the device.

Figure 37-67. Internal Address Usage



### 37.9.3.7 Repeated Start

In addition to Internal Address mode, repeated start (Sr) can be generated manually by writing the START bit at the end of a transfer instead of the STOP bit. In such case the parameters of the next transfer (direction, SADR, etc.) will need to be set before writing the START bit at the end of the previous transfer.

See section [Read/Write Flowcharts](#).

### 37.9.3.8 Bus Clear Command

The TWI interface can perform a Bus Clear Command:

1. Configure the Master mode (DADR, CKDIV, etc).
2. Start the transfer by setting the FLEX\_TWI\_CR.CLEAR bit.

**Note:** If an alternative command is used (ACMEN bit = 1), the DATAL field must be cleared.

### 37.9.3.9 SMBus Mode

SMBus mode is enabled when the FLEX\_TWI\_CR.SMBEN bit is written to one. SMBus mode operation is similar to I<sup>2</sup>C operation with the following exceptions:

1. Only 7-bit addressing can be used.
2. The SMBus standard describes a set of timeout values to ensure progress and throughput on the bus. These timeout values must be programmed into FLEX\_TWI\_SMBTR.
3. Transmissions can optionally include a CRC byte, called Packet Error Check (PEC).
4. A set of addresses has been reserved for protocol handling, such as alert response address (ARA) and host header (HH) address. Address matching on these addresses can be enabled by configuring FLEX\_TWI\_CR appropriately.

#### 37.9.3.9.1 Packet Error Checking

Each SMBus transfer can optionally end with a CRC byte, called the PEC byte. Writing the FLEX\_TWI\_CR.PECEN bit to one enables automatic PEC handling in the current transfer. Transfers with and without PEC can freely be intermixed in the same system, since some slaves may not support PEC. The PEC LFSR is always updated on every bit transmitted or received, so that PEC handling on combined transfers will be correct.

In Master Transmitter mode, the master calculates a PEC value and transmits it to the slave after all data bytes have been transmitted. Upon reception of this PEC byte, the slave will compare it to the PEC value it has computed itself. If the values match, the data was received correctly, and the slave will return an ACK to the master. If the PEC values differ, data was corrupted, and the slave will return a NACK value. Some slaves may not be able to check the received PEC in time to return a NACK if an error occurred. In this case, the slave should always return an ACK after the PEC byte, and some other mechanism must be implemented to verify that the transmission was received correctly.

In Master Receiver mode, the slave calculates a PEC value and transmits it to the master after all data bytes have been transmitted. Upon reception of this PEC byte, the master will compare it to the PEC value it has computed itself. If the values match, the data was received correctly. If the PEC values differ, data was corrupted, and the FLEX\_TWI\_SR.PECERR bit is set. In Master Receiver mode, the PEC byte is always followed by a NACK transmitted by the master, since it is the last byte in the transfer.

In combined transfers, the PECRQ bit should only be set in the last of the combined transfers. If Alternative Command mode is enabled, only the NPEC bit should be set.

Consider the following transfer:

S, ADR+W, COMMAND\_BYTE, ACK, SR, ADR+R, DATA\_BYTE, ACK, PEC\_BYTE, NACK, P

See section [Read/Write Flowcharts](#) for detailed flowcharts.

### 37.9.3.9.2 Timeouts

The FLEX\_TWI\_SMBTR.TLOWS/TLOWM fields configure the SMBus timeout values. If a timeout occurs, the master transmits a STOP condition and leaves the bus. Furthermore, the FLEX\_TWI\_SR.TOUT bit is set.

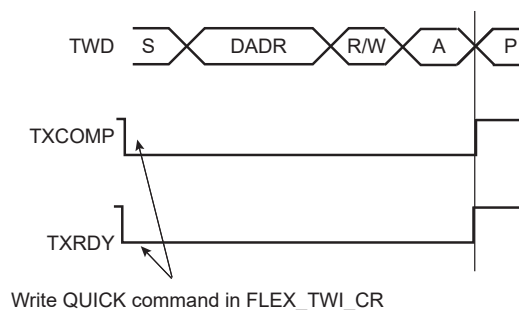
### 37.9.3.10 SMBus Quick Command (Master Mode Only)

The TWI interface can perform a quick command:

1. Configure the Master mode (DADR, CKDIV, etc).
2. Write the FLEX\_TWI\_MMR.MREAD bit at the value of the one-bit command to be sent.
3. Start the transfer by setting the FLEX\_TWI\_CR.QUICK bit.

**Note:** If an alternative command is used (ACMEN bit = 1), the DATAL field must be cleared.

**Figure 37-68.** SMBus Quick Command



### 37.9.3.11 Alternative Command

Another way to configure the transfer is to enable the Alternative Command mode with the ACMEN bit of the TWI Control Register.

In this mode, the transfer is configured through the TWI Alternative Command Register. It is possible to define a simple read or write transfer or a combined transfer with a repeated start.

In order to set a simple transfer, the DATAL field and the DIR field of the TWI Alternative Command Register must be filled accordingly and the NDATAL field must be cleared. To begin the transfer, either set the START bit in the TWI Control Register in case of a read transfer, or write the TWI Transmit Holding Register in case of a write transfer.

For a combined transfer linked by a repeated start, the NDATAL field must be filled with the length of the second transfer and NDIR with the corresponding direction.

The PEC and NPEC bits are used to set a PEC field. In the case of a single transfer with PEC, the PEC bit must be set. In the case of a combined transfer, the NPEC bit must be set.

**Note:** If the Alternative Command mode is used, the TWIHS\_MMR.IADRSZ field must be set to 0.

See [Read/Write Flowcharts](#) for detailed flowcharts.

### 37.9.3.12 Handling Errors in Alternative Command

In case of NACK generated by a slave device or SMBus timeout error, the TWI stops immediately the frame, but the DMA transfer may still be active. To prevent a new frame to be restarted with the

remaining DMA data (transmit), the TWI prevents any start of frame until the FLEX\_TWI\_SR.LOCK flag is cleared.

The FLEX\_TWI\_SR.LOCK bit indicates the state of the TWI (locked or not locked).

When the TWI is locked, no transfer can begin until the LOCK is cleared using the FLEX\_TWI\_CR.LOCKCLR bit and until the error flags are cleared reading FLEX\_TWI\_SR.

In case of error, FLEX\_TWI\_THR may have been loaded with a new data. The FLEX\_TWI\_CR.THRCLR bit can be used to flush FLEX\_TWI\_THR. If the THRCLR bit is set, the TXRDY and TXCOMP flags are set.

### 37.9.3.13 Read/Write Flowcharts

The flowcharts shown in this section provide examples for read and write operations. A polling or interrupt method can be used to check the status bits. The interrupt method requires that the Interrupt Enable Register (FLEX\_TWI\_IER) be configured first.

Figure 37-69. TWI Write Operation with Single Data Byte without Internal Address

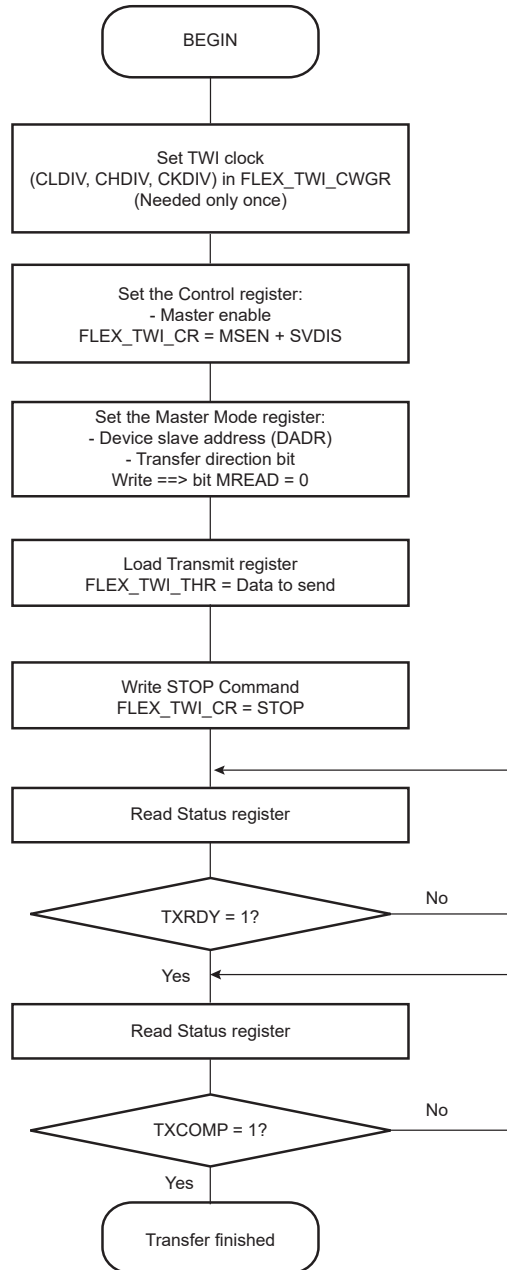


Figure 37-70. TWI Write Operation with Single Data Byte and Internal Address

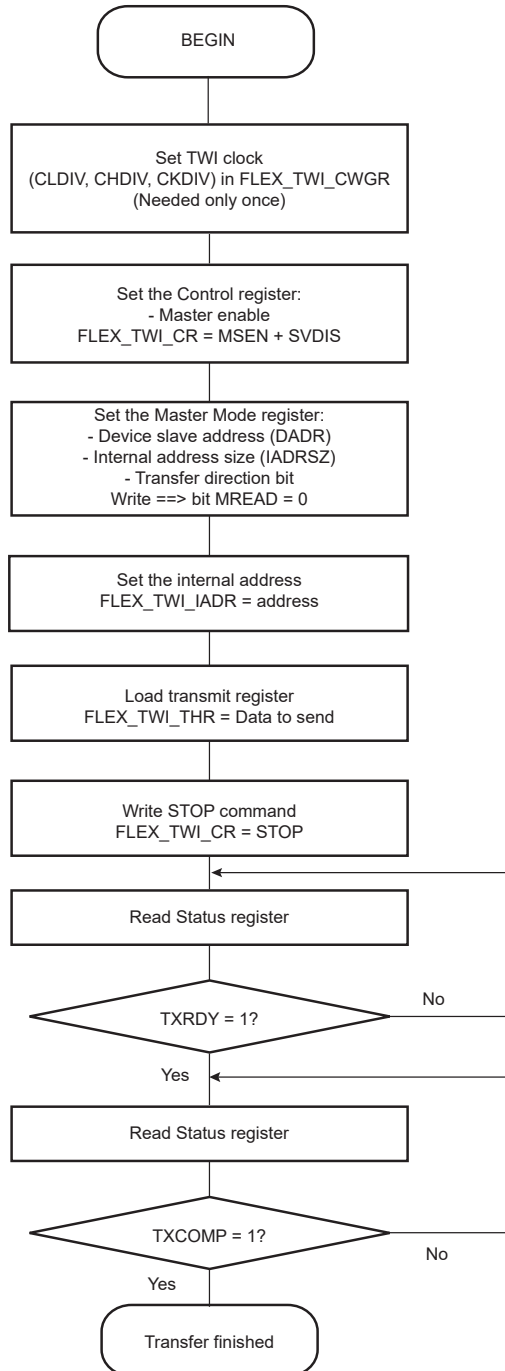


Figure 37-71. TWI Write Operation with Multiple Data Bytes with or without Internal Address

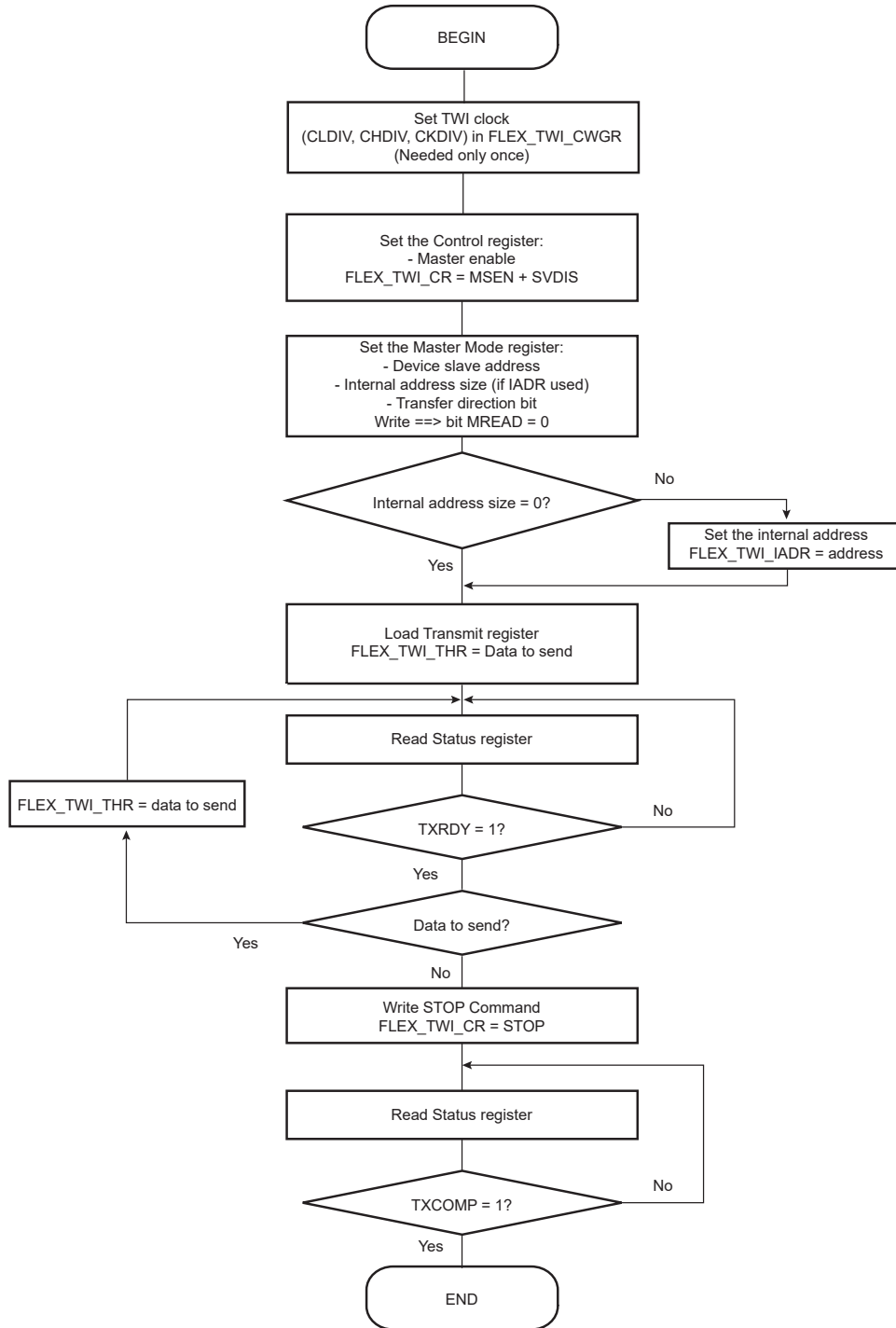


Figure 37-72. SMBus Write Operation with Multiple Data Bytes with or without Internal Address and PEC Sending

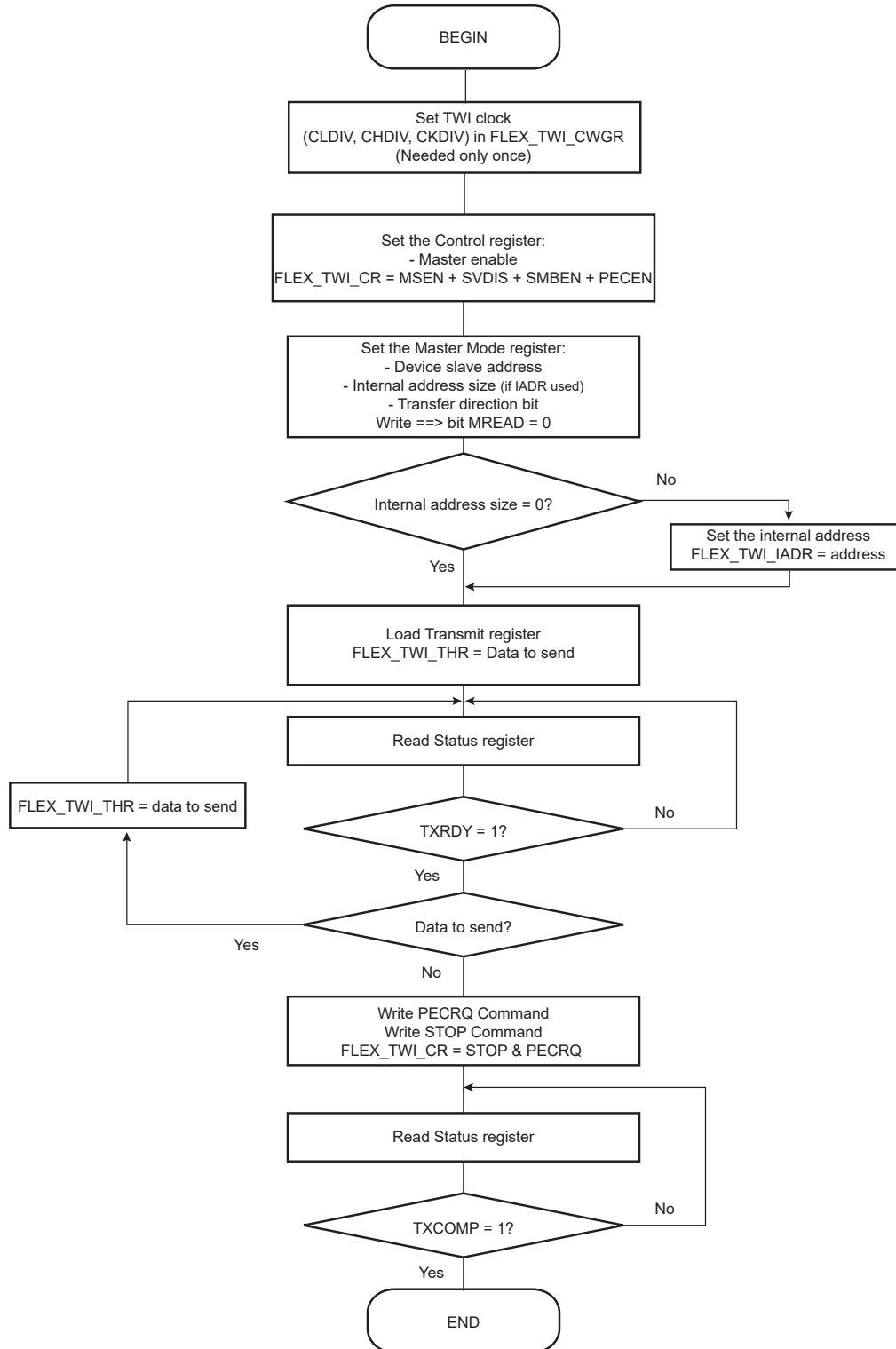




Figure 37-73. SMBus Write Operation with Multiple Data Bytes with PEC and Alternative Command Mode

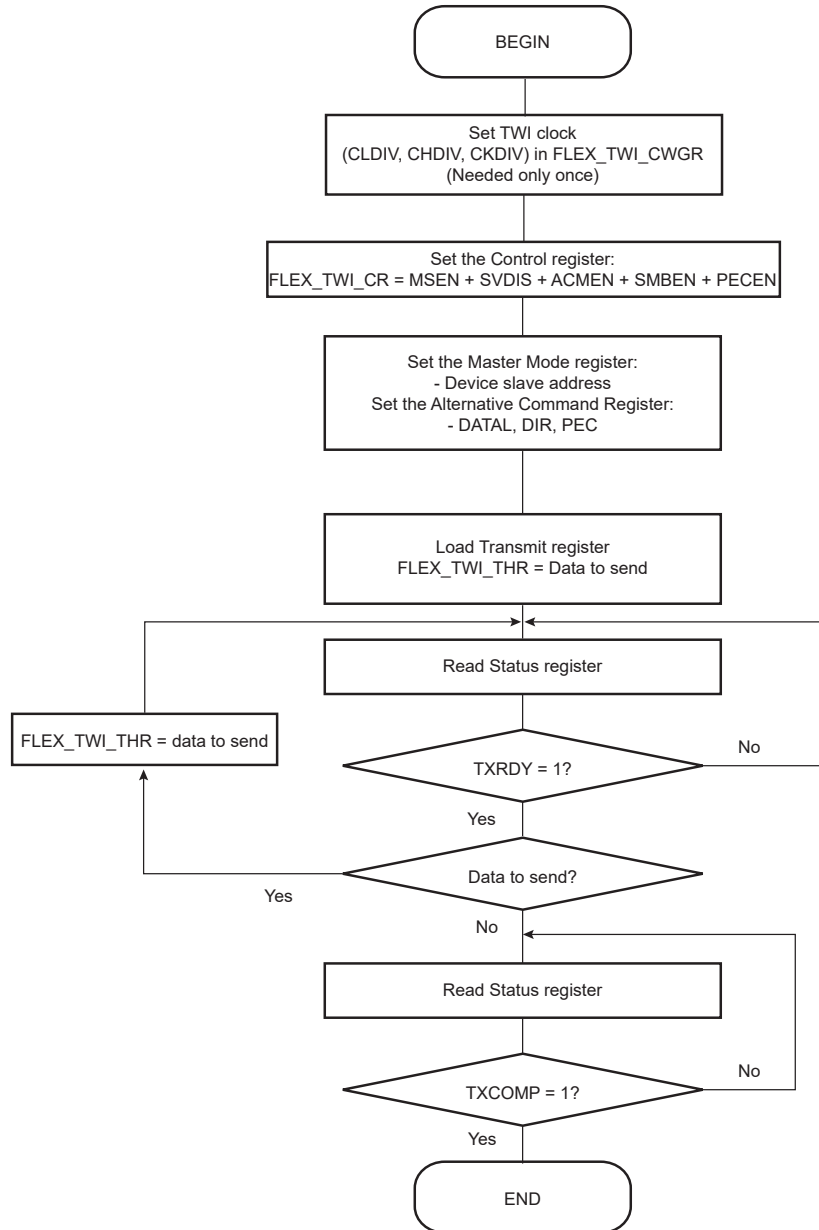
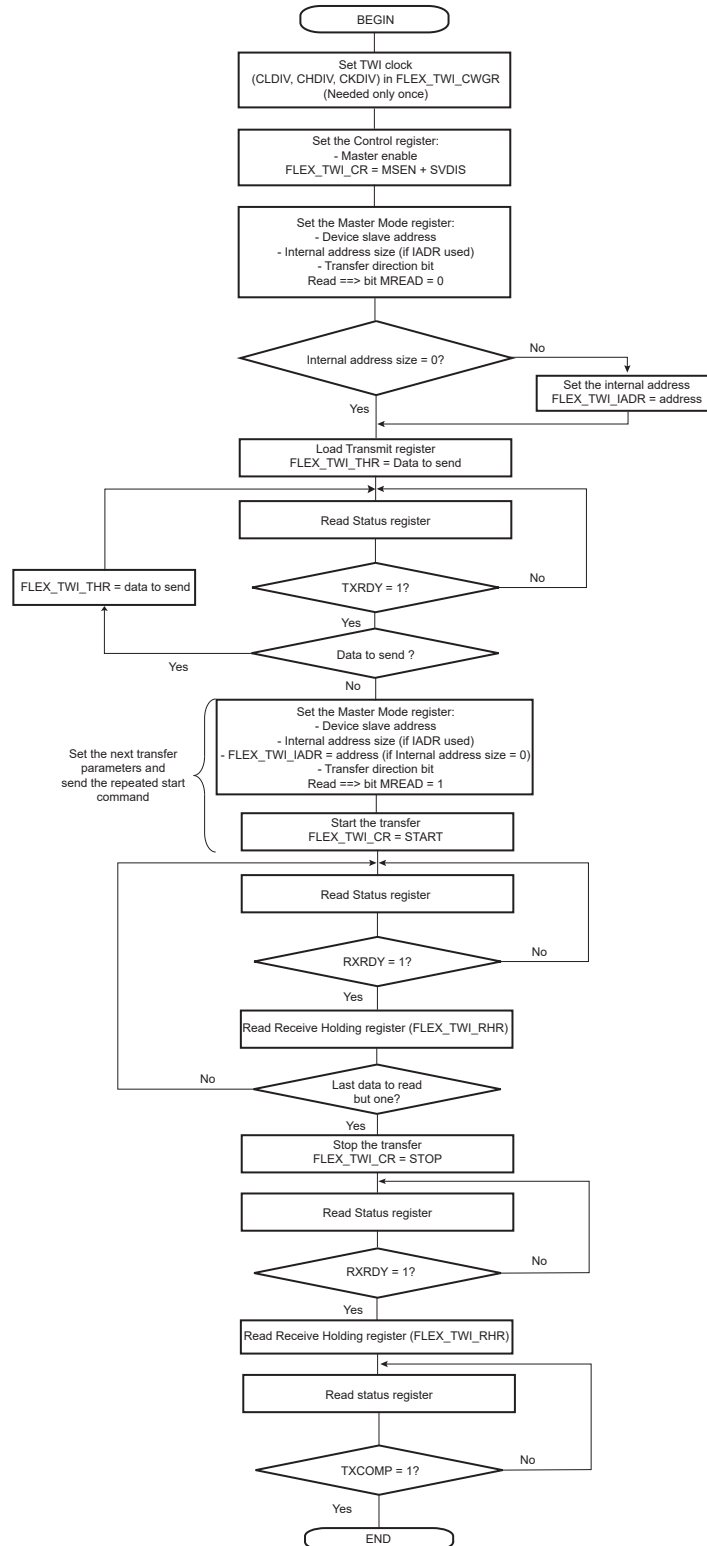


Figure 37-74. TWI Write Operation with Multiple Data Bytes and Read Operation with Multiple Data Bytes (Sr)



**Figure 37-75.** TWI Write Operation with Multiple Data Bytes + Read Operation and Alternative Command Mode + PEC

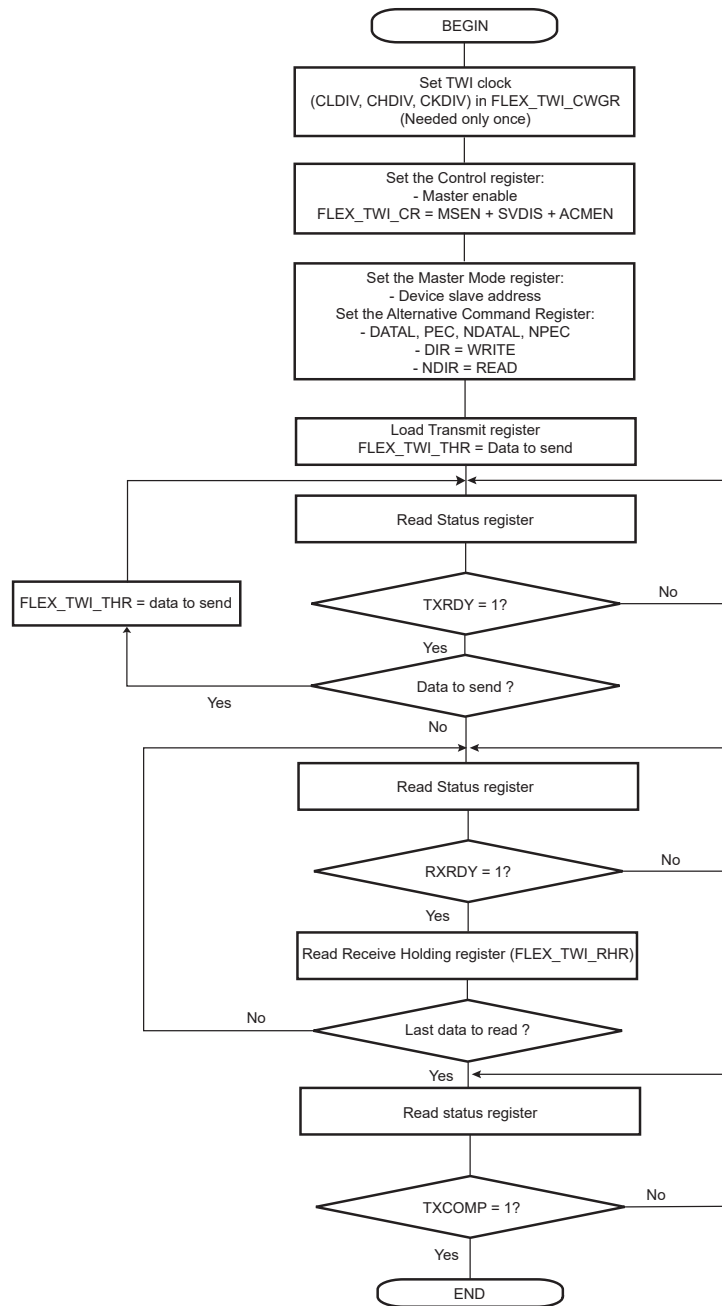


Figure 37-76. TWI Read Operation with Single Data Byte without Internal Address

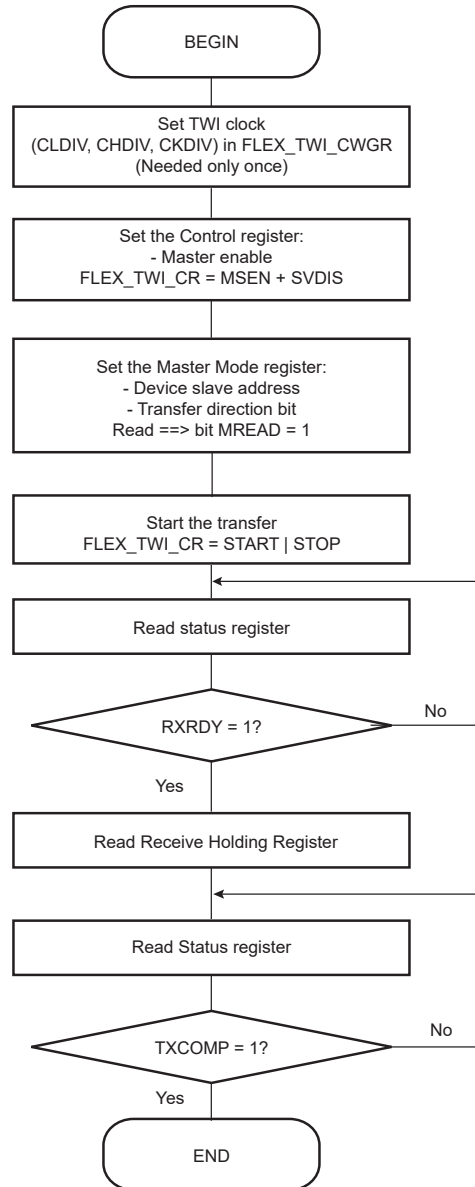


Figure 37-77. TWI Read Operation with Single Data Byte and Internal Address

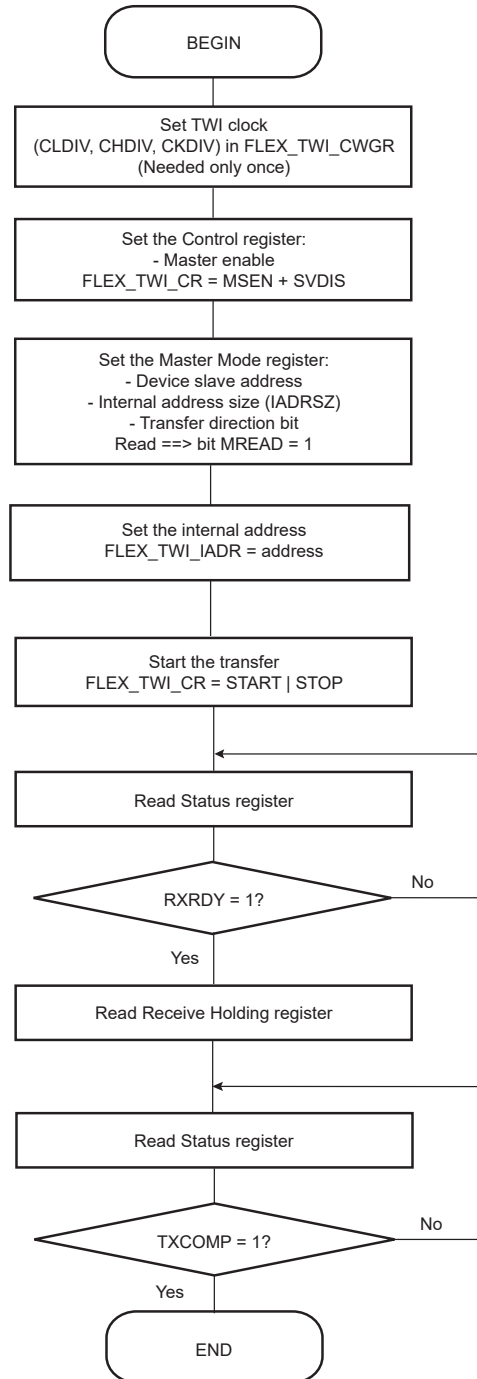


Figure 37-78. TWI Read Operation with Multiple Data Bytes with or without Internal Address

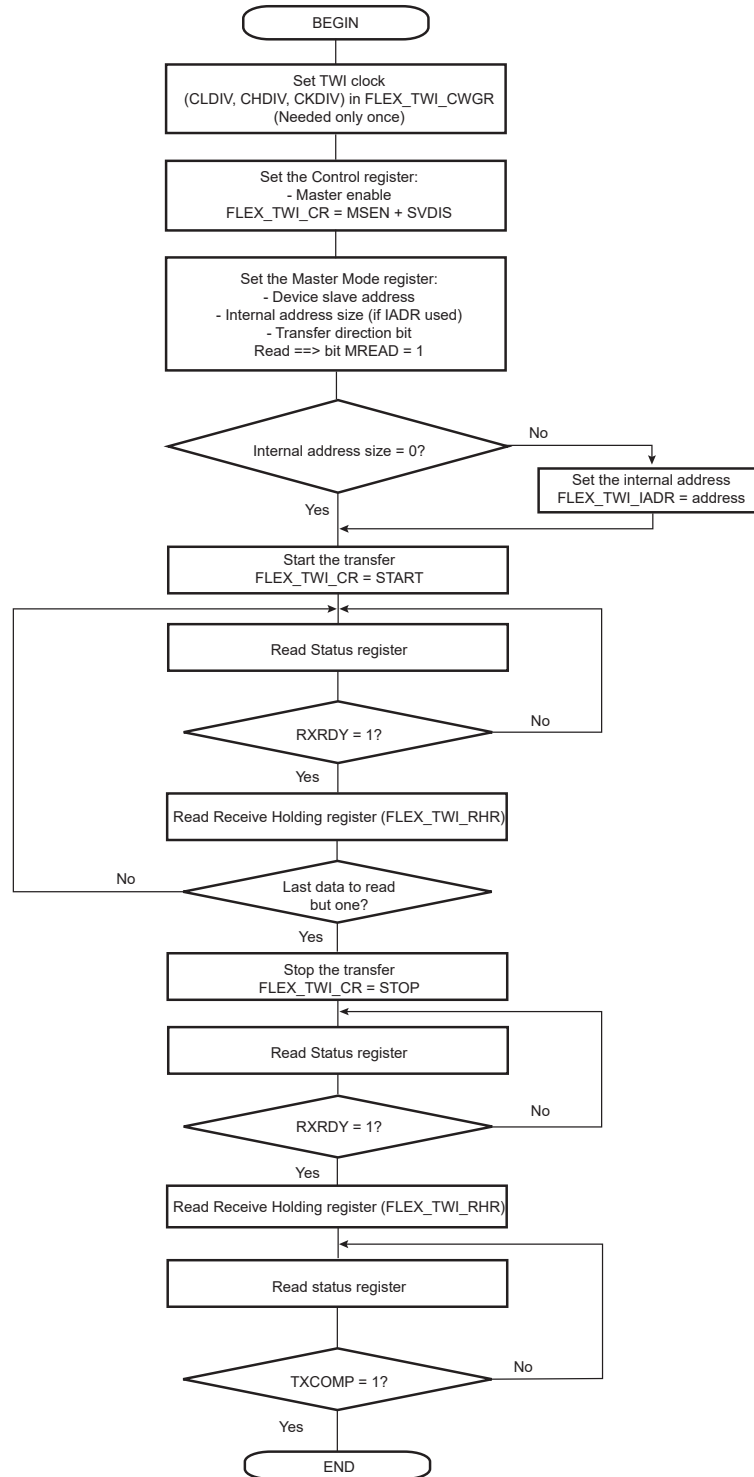


Figure 37-79. TWI Read Operation with Multiple Data Bytes with or without Internal Address with PEC

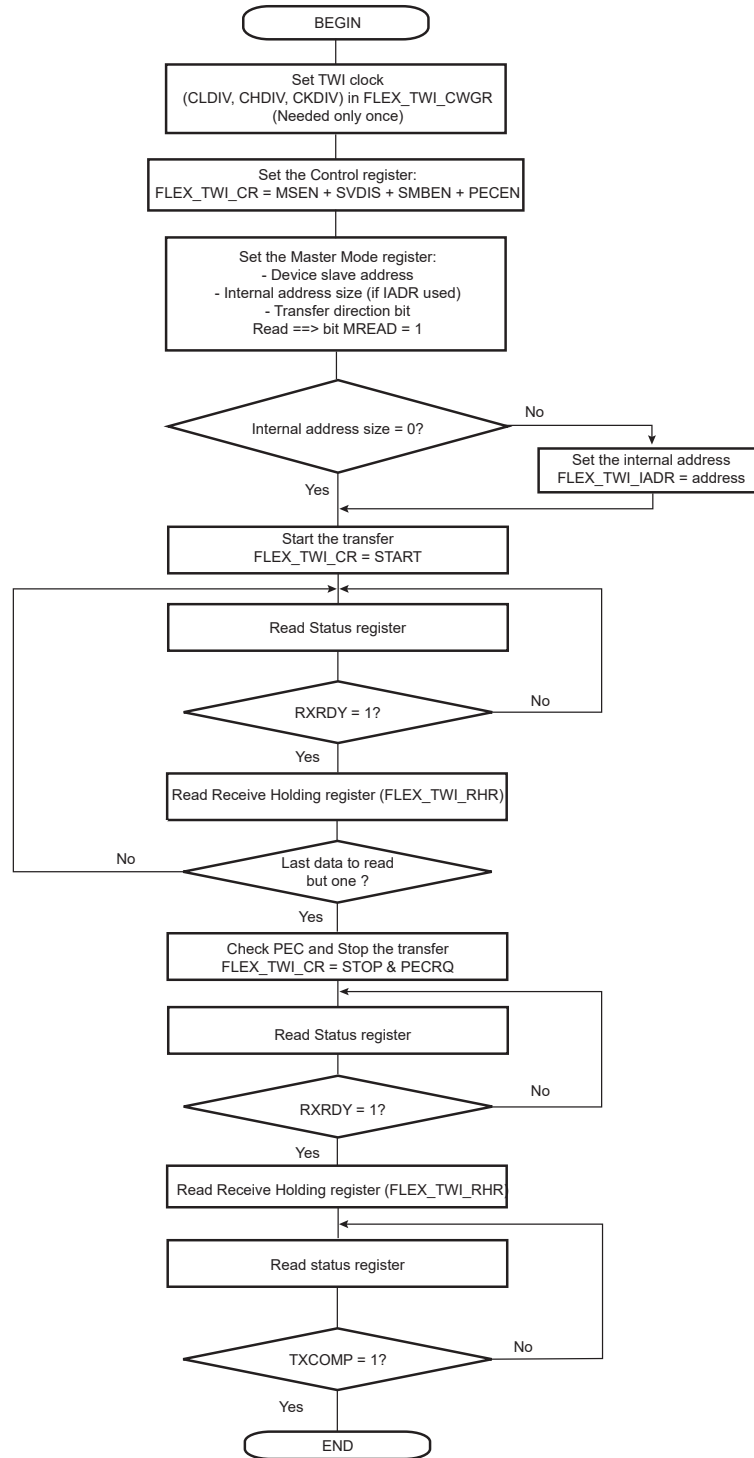


Figure 37-80. TWI Read Operation with Multiple Data Bytes with Alternative Command Mode with PEC

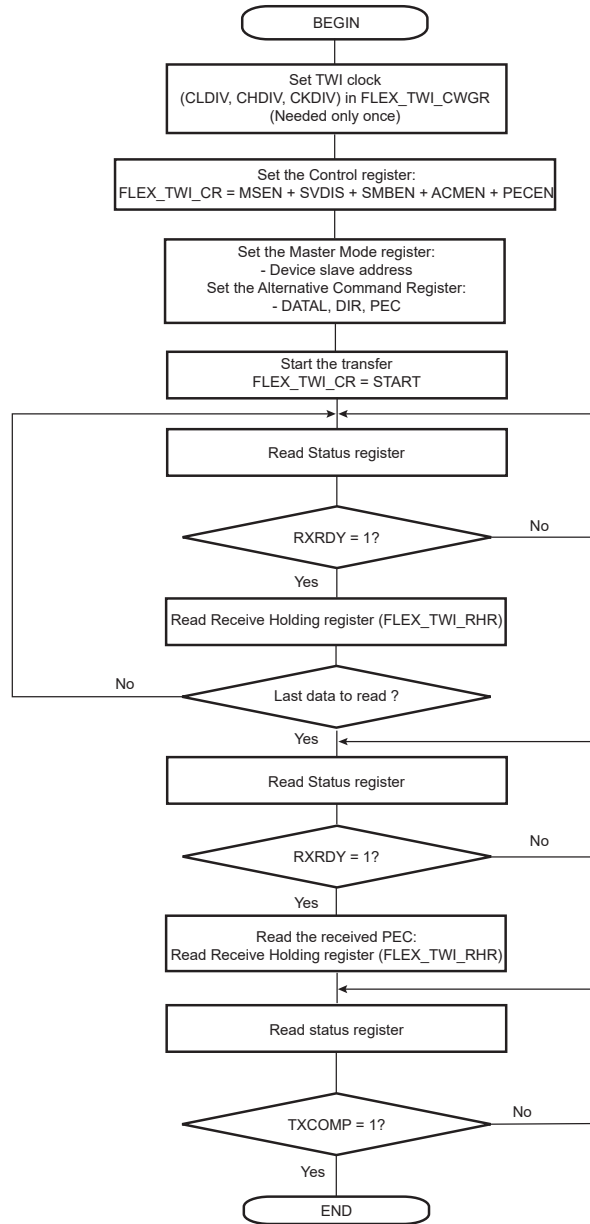




Figure 37-81. TWI Read Operation with Multiple Data Bytes + Write Operation with Multiple Data Bytes (Sr)

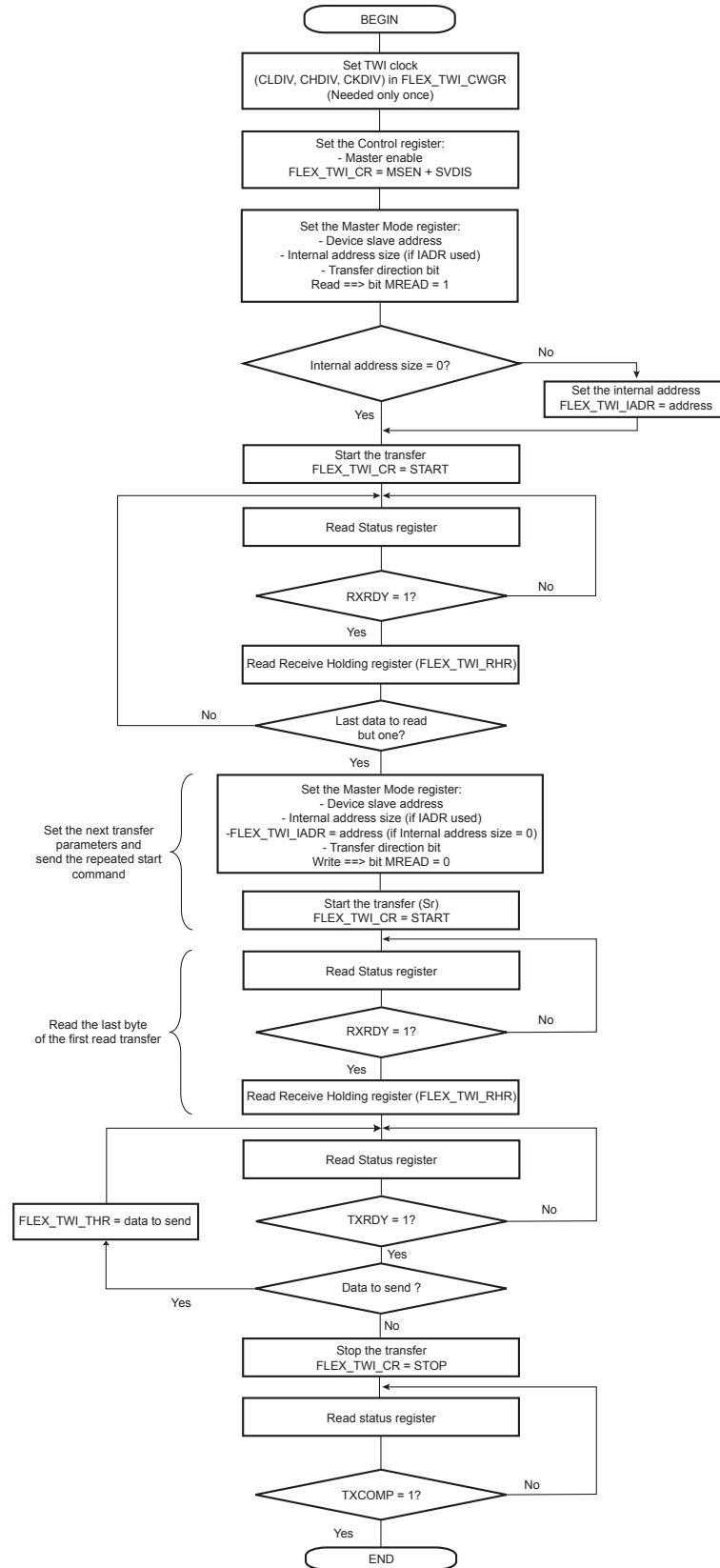
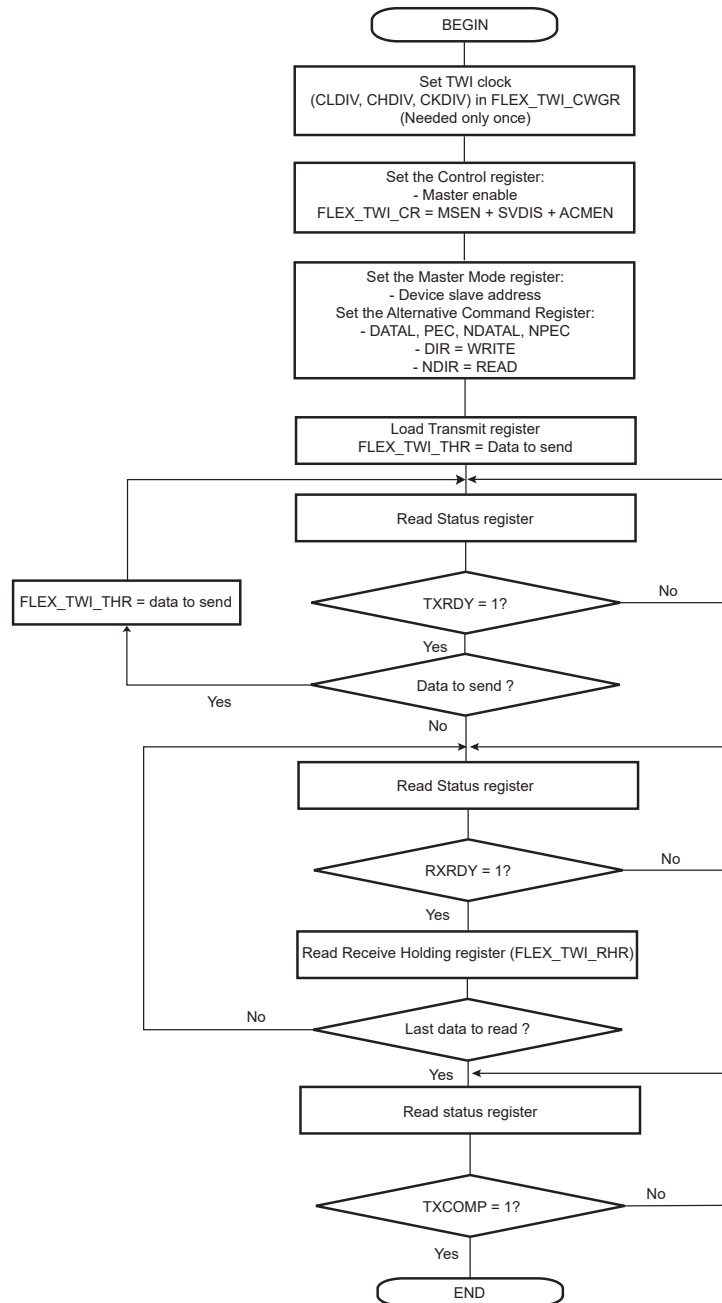


Figure 37-82. TWI Read Operation with Multiple Data Bytes + Write with Alternative Command Mode with PEC



## 37.9.4 Multi-Master Mode

### 37.9.4.1 Definition

In Multi-Master mode, more than one master may handle the bus at the same time without data corruption by using arbitration.

Arbitration starts as soon as two or more masters place information on the bus at the same time, and stops (arbitration is lost) for the master that intends to send a logical one while the other master sends a logical zero.

As soon as arbitration is lost by a master, it stops sending data and listens to the bus in order to detect a STOP. When the STOP is detected, the master that has lost arbitration may put its data on the bus by respecting arbitration.

Arbitration is illustrated in figure "Arbitration Cases" below.

### 37.9.4.2 Different Multi-Master Modes

Two Multi-Master modes may be distinguished:

- TWI as Master Only—TWI is considered as a master only and will never be addressed.
- TWI as Master or Slave—TWI may be either a master or a slave and may be addressed.

**Note:** Arbitration is supported in both Multi-Master modes.

#### 37.9.4.2.1 TWI as Master Only

In this mode, the TWI is considered as a master only (MSEN is always at one) and must be driven like a master with the ARBLST (ARBitration Lost) flag in addition.

If arbitration is lost (ARBLST = 1), the user must reinitiate the data transfer.

If the user starts a transfer (ex.: DADR + START + W + Write in THR) and if the bus is busy, the TWI automatically waits for a STOP condition on the bus to initiate the transfer (see figure "User Sends Data While the Bus is Busy" below).

**Note:** The state of the bus (busy or free) is not indicated in the user interface.

#### 37.9.4.2.2 TWI as Master or Slave

The automatic reversal from master to slave is not supported in case of a lost arbitration.

Then, in the case where TWI may be either a master or a slave, the user must manage the pseudo Multi-Master mode described in the steps below:

1. Program the TWI in Slave mode (SADR + MSDIS + SVEN) and perform a slave access (if TWI is addressed).
2. If the TWI has to be set in Master mode, wait until TXCOMP flag is at 1.
3. Program the Master mode (DADR + SVDIS + MSEN) and start the transfer (ex: START + Write in THR).
4. As soon as the Master mode is enabled, the TWI scans the bus in order to detect if it is busy or free. When the bus is considered as free, the TWI initiates the transfer.
5. As soon as the transfer is initiated and until a STOP condition is sent, the arbitration becomes relevant and the user must monitor the ARBLST flag.
6. If the arbitration is lost (ARBLST is = 1), the user must program the TWI in Slave mode in case the master that won the arbitration needs to access the TWI.
7. If the TWI has to be set in Slave mode, wait until TXCOMP flag is at 1 and then program the Slave mode.

**Note:** In case the arbitration is lost and the TWI is addressed, the TWI will not acknowledge even if it is programmed in Slave mode as soon as ARBLST = 1. Then the master must repeat SADR.

**Figure 37-83.** User Sends Data While the Bus is Busy

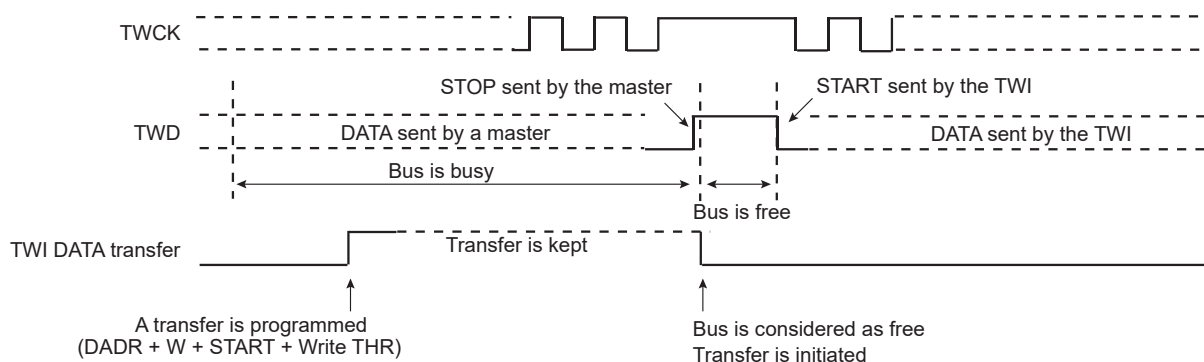
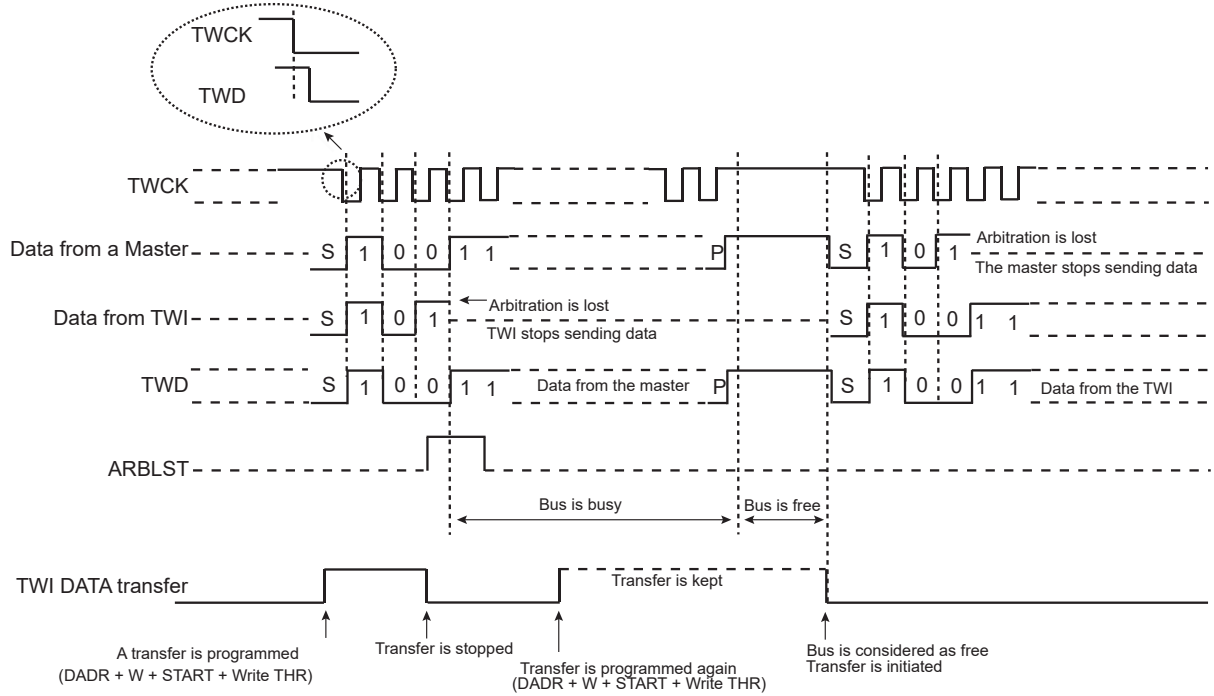
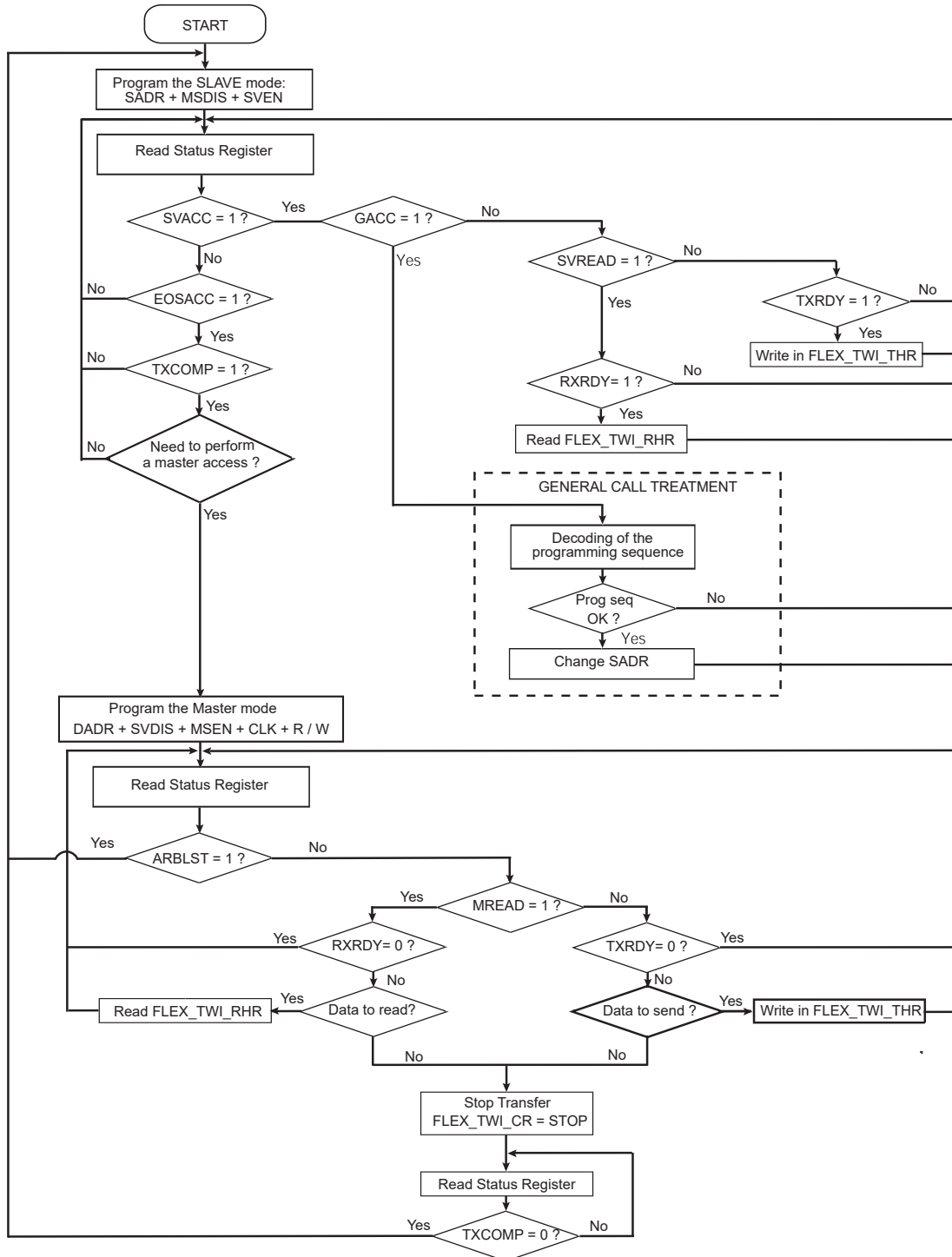


Figure 37-84. Arbitration Cases



The flowchart shown in the following figure gives an example of read and write operations in Multi-Master mode.

Figure 37-85. Multi-Master Mode



## 37.9.5 Slave Mode

### 37.9.5.1 Definition

Slave mode is defined as a mode where the device receives the clock and the address from another device called the master.

In this mode, the device never initiates and never completes the transmission (START, REPEATED\_START and STOP conditions are always provided by the master).

### 37.9.5.2 Programming Slave Mode

The following fields must be programmed before entering Slave mode:

1. FLEX\_TWI\_SMR.SADR: The slave device address is used in order to be accessed by master devices in Read or Write mode.
2. (Optional) FLEX\_TWI\_SMR.MASK can be set to mask some SADR address bits and thus allow multiple address matching.
3. FLEX\_TWI\_CR.MSDIS: Disables the Master mode.
4. FLEX\_TWI\_CR.SVEN: Enables the Slave mode.

As the device receives the clock, values written in FLEX\_TWI\_CWGR are not processed.

### 37.9.5.3 Receiving Data

After a START or repeated START condition is detected, and if the address sent by the master matches the slave address programmed in the SADR (Slave Address) field, the SVACC (Slave Access) flag is set and SVREAD (Slave Read) indicates the direction of the transfer.

SVACC remains high until a STOP condition or a repeated START is detected. When such a condition is detected, EOSACC (End Of Slave Access) flag is set.

#### 37.9.5.3.1 Read Sequence

In the case of a read sequence (SVREAD is high), the TWI transfers data written in FLEX\_TWI\_THR (TWI Transmit Holding Register) until a STOP condition or a REPEATED\_START + an address different from SADR is detected. Note that at the end of the read sequence TXCOMP (Transmission Complete) flag is set and SVACC is reset.

As soon as data is written in FLEX\_TWI\_THR, the TXRDY (Transmit Holding Register Ready) flag is reset, and it is set when the internal shifter is empty and the sent data acknowledged or not. If the data is not acknowledged, the NACK flag is set.

Note that a STOP or a repeated START always follows a NACK.

See figure "Read Access Ordered by a Master" below.

**Note:** To clear the TXRDY flag in Slave mode, write the FLEX\_TWI\_CR.SVDIS bit to 1, then write the FLEX\_TWI\_CR.SVEN bit to 1.

#### 37.9.5.3.2 Write Sequence

In the case of a write sequence (SVREAD is low), the RXRDY (Receive Holding Register Ready) flag is set as soon as a character has been received in FLEX\_TWI\_RHR (TWI Receive Holding Register). RXRDY is reset when reading FLEX\_TWI\_RHR.

TWI continues receiving data until a STOP condition or a REPEATED\_START + an address different from SADR is detected. Note that at the end of the write sequence TXCOMP flag is set and SVACC reset.

See figure "Write Access Ordered by a Master" below.

#### 37.9.5.3.3 Clock Stretching Sequence

If FLEX\_TWI\_THR or FLEX\_TWI\_RHR is not written/read in time, the TWI performs a clock stretching.

Clock stretching information is given by the SCLWS (Clock Wait State) bit.

See figures "Clock Stretching in Read Mode" and "Clock Stretching in Write Mode" below.

**Note:** Clock stretching can be disabled by configuring the FLEX\_TWI\_SMR.SCLWSDIS bit. In that case, UNRE and OVRE flags will indicate underrun (when FLEX\_TWI\_THR is not filled on time) or overrun (when FLEX\_TWI\_RHR is not read on time).

#### 37.9.5.3.4 General Call

In the case where a GENERAL CALL is performed, the GACC (General Call Access) flag is set.

After GACC is set, it is up to the user to interpret the meaning of the GENERAL CALL and to decode the new address programming sequence.

See figure "Master Performs a General Call" below.

### 37.9.5.4 Data Transfer

#### 37.9.5.4.1 Read Operation

The Read mode is defined as a data requirement from the master.

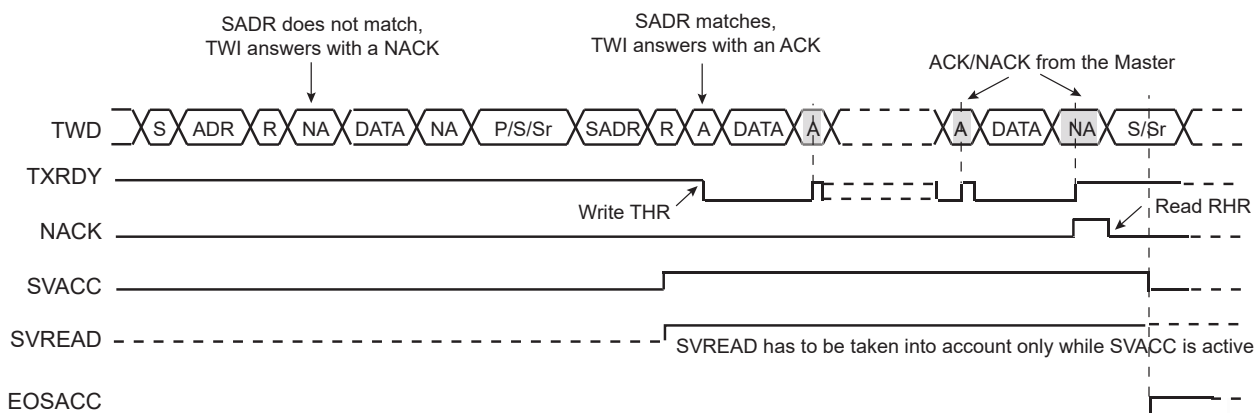
After a START or a REPEATED START condition is detected, the decoding of the address starts. If the slave address (SADR) is decoded, SVACC is set and SVREAD indicates the direction of the transfer.

Until a STOP or REPEATED START condition is detected, TWI continues sending data loaded in FLEX\_TWI\_THR.

If a STOP condition or a REPEATED START + an address different from SADR is detected, SVACC is reset.

The following figure describes the read operation.

**Figure 37-86.** Read Access Ordered by a Master



#### Notes:

1. When SVACC is low, the state of SVREAD becomes irrelevant.
2. TXRDY is reset when data has been transmitted from FLEX\_TWI\_THR to the internal shifter and set when this data has been acknowledged or non acknowledged.

#### 37.9.5.4.2 Write Operation

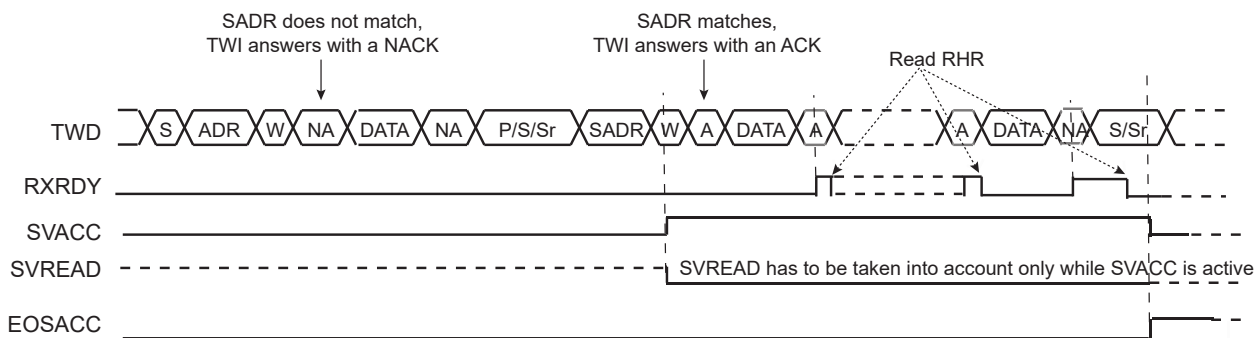
The Write mode is defined as a data transmission from the master.

After a START or a REPEATED START, the decoding of the address starts. If the slave address is decoded, SVACC is set and SVREAD indicates the direction of the transfer (SVREAD is low in this case).

Until a STOP or REPEATED START condition is detected, TWI stores the received data in FLEX\_TWI\_RHR.

If a STOP condition or a REPEATED START + an address different from SADR is detected, SVACC is reset.

The following figure describes the write operation.

**Figure 37-87.** Write Access Ordered by a Master**Notes:**

1. When SVACC is low, the state of SVREAD becomes irrelevant.
2. RXRDY is set when data has been transmitted from the internal shifter to FLEX\_TWI\_RHR, and reset when this data is read.

**37.9.5.4.3 General Call**

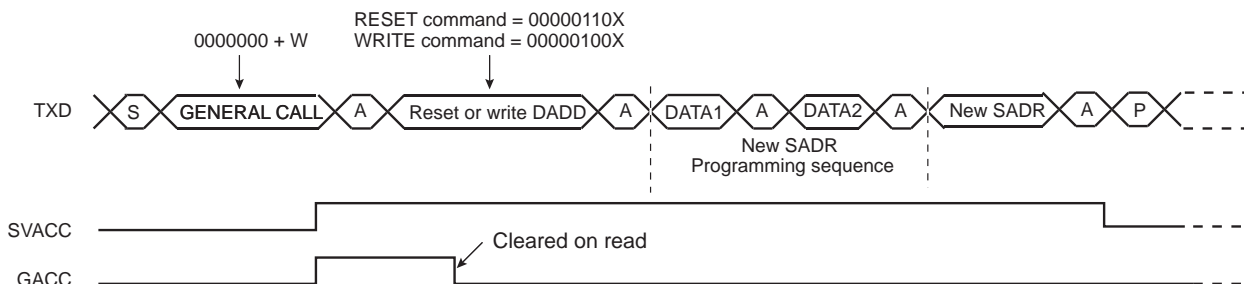
The general call is performed in order to change the address of the slave.

If a GENERAL CALL is detected, GACC is set.

After the detection of general call, it is up to the user to decode the commands which follow.

In case of a WRITE command, the user has to decode the programming sequence and program a new SADR if the programming sequence matches.

The following figure describes the general call access.

**Figure 37-88.** Master Performs a General Call

**Note:** This method enables to create a user-specific programming sequence by choosing the number of programming bytes. The programming sequence has to be provided to the master.

**37.9.5.4.4 Clock Stretching**

In both Read and Write modes, it may happen that the FLEX\_TWI\_THR/FLEX\_TWI\_RHR buffer is not filled/emptied before the transmission/reception of a new character. In this case, to avoid sending/receiving undesired data, a clock stretching mechanism is implemented.

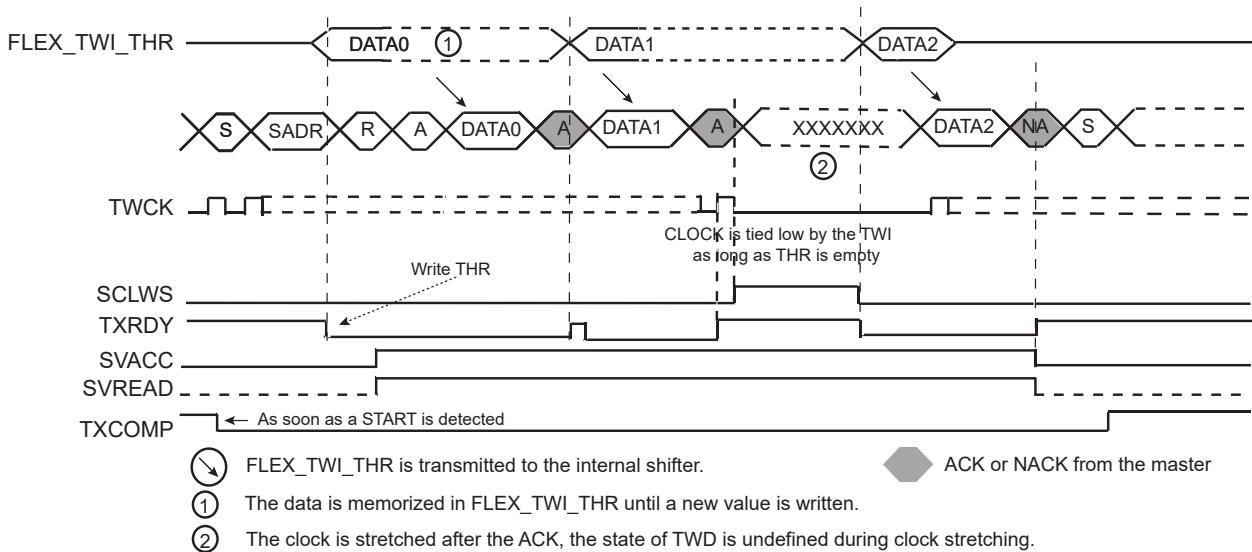
**Note:** Clock stretching can be disabled by setting the FLEX\_TWI\_SMR.SCLWSDIS bit. In that case, the UNRE and OVRE flags indicate an underrun (when FLEX\_TWI\_THR is not filled on time) or an overrun (when FLEX\_TWI\_RHR is not read on time).

**— Clock Stretching in Read Mode**

The clock is tied low if the internal shifter is empty and if a STOP or REPEATED START condition was not detected. It is tied low until the internal shifter is loaded.

The following figure describes clock stretching in Read mode.



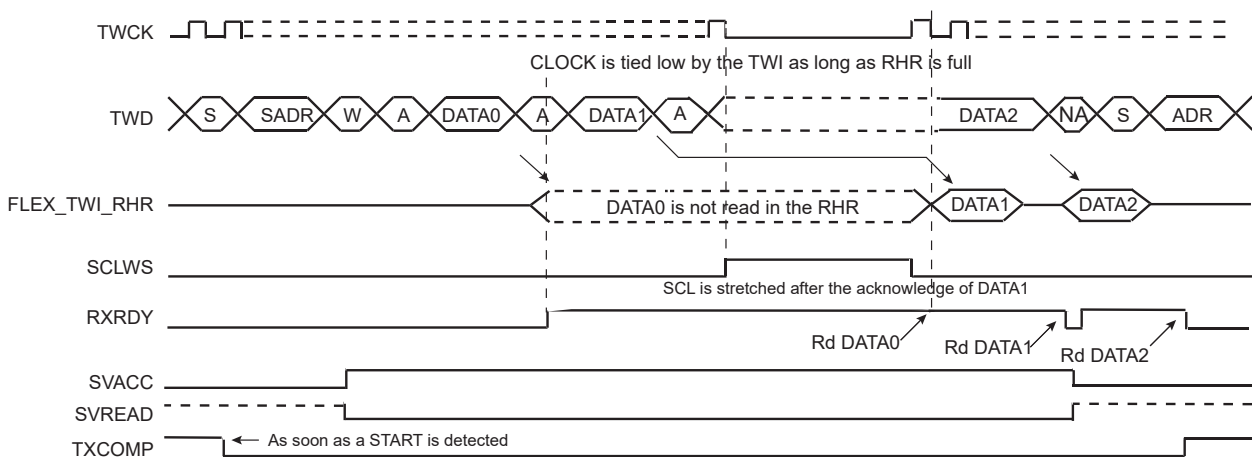
**Figure 37-89.** Clock Stretching in Read Mode**Notes:**

1. TXRDY is reset when data has been written in FLEX\_TWI\_THR to the internal shifter, and set when this data has been acknowledged or non acknowledged.
2. At the end of the read sequence, TXCOMP is set after a STOP or after a REPEATED\_START + an address different from SADR.
3. SCLWS is automatically set when the clock stretching mechanism is started.

**— Clock Stretching in Write Mode**

The clock is tied low if the internal shifter and FLEX\_TWI\_RHR are full. If a STOP or REPEATED\_START condition was not detected, it is tied low until FLEX\_TWI\_RHR is read.

The following figure describes the clock stretching in Write mode.

**Figure 37-90.** Clock Stretching in Write Mode**Notes:**

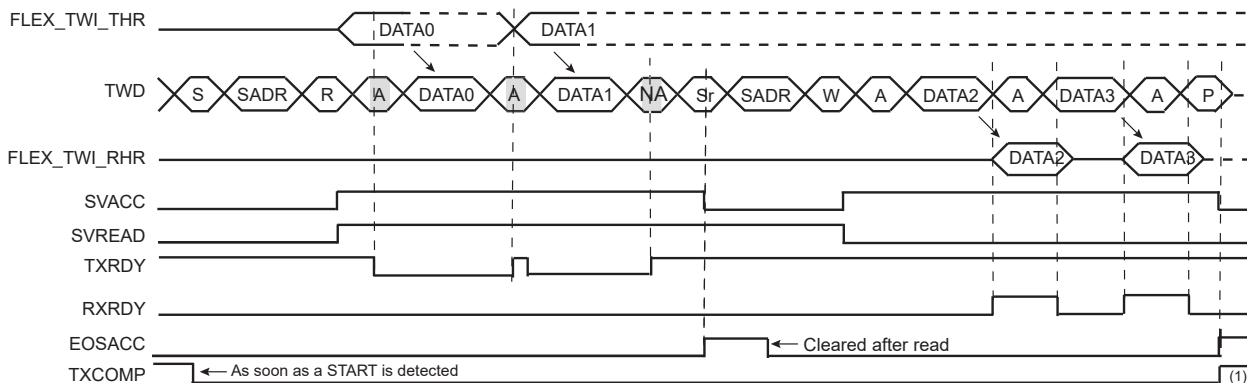
1. At the end of the read sequence, TXCOMP is set after a STOP or after a REPEATED\_START + an address different from SADR.
2. SCLWS is automatically set when the clock stretching mechanism is started and automatically reset when the mechanism is finished.

### 37.9.5.4.5 Reversal after a Repeated Start

#### — Reversal of Read to Write

The master initiates the communication by a read command and finishes it by a write command. The following figure describes the repeated start and the reversal from Read mode to Write mode.

**Figure 37-91.** Repeated Start and Reversal from Read Mode to Write Mode



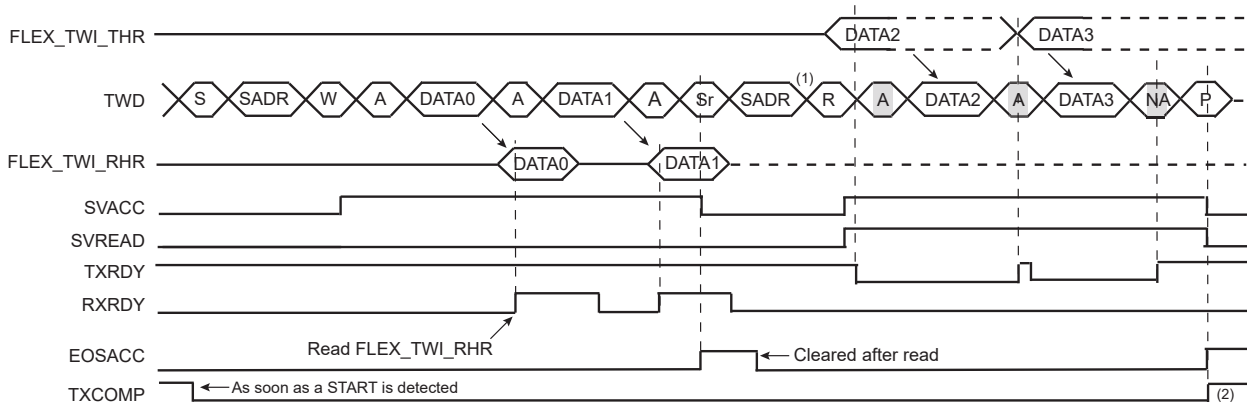
Note:

1. TXCOMP is only set at the end of the transmission because after the repeated start, SADR is detected again.

#### — Reversal of Write to Read

The master initiates the communication by a write command and finishes it by a read command. The following figure describes the repeated start and the reversal from Write mode to Read mode.

**Figure 37-92.** Repeated Start and Reversal from Write Mode to Read Mode



Notes:

1. In this case, if FLEX\_TWI\_THR has not been written at the end of the read command, the clock is automatically stretched before the ACK.  
2. TXCOMP is only set at the end of the transmission because after the repeated start, SADR is detected again.

### 37.9.5.4.6 SMBus Mode

SMBus mode is enabled when the FLEX\_TWI\_CR.SMEN bit is written to one. SMBus mode operation is similar to I<sup>2</sup>C operation with the following exceptions:

1. Only 7-bit addressing can be used.
2. The SMBus standard describes a set of timeout values to ensure progress and throughput on the bus. These timeout values must be programmed into FLEX\_TWI\_SMBTR.
3. Transmissions can optionally include a CRC byte, called Packet Error Check (PEC).

4. A set of addresses have been reserved for protocol handling, such as alert response address (ARA) and host header (HH) address. Address matching on these addresses can be enabled by configuring FLEX\_TWI\_CR appropriately.

#### — Packet Error Checking

Each SMBus transfer can optionally end with a CRC byte, called the PEC byte. Writing the FLEX\_TWI\_CR.PECEN bit to one will send/check the FLEX\_TWI\_ACR.PEC field in the current transfer. The PEC generator is always updated on every bit transmitted or received, so that PEC handling on following linked transfers will be correct.

In Slave Receiver mode, the master calculates a PEC value and transmits it to the slave after all data bytes have been transmitted. Upon reception of this PEC byte, the slave will compare it to the PEC value it has computed itself. If the values match, the data was received correctly, and the slave will return an ACK to the master. If the PEC values differ, data was corrupted, and the slave will return a NACK value. The FLEX\_TWI\_SR.PECERR bit is set automatically if a PEC error occurred.

In Slave Transmitter mode, the slave calculates a PEC value and transmits it to the master after all data bytes have been transmitted. Upon reception of this PEC byte, the master will compare it to the PEC value it has computed itself. If the values match, the data was received correctly. If the PEC values differ, data was corrupted, and the master must take appropriate action.

See section [Slave Read/Write Flowcharts](#) for detailed flowcharts.

#### — Timeouts

The TWI SMBus Timing Register (FLEX\_TWI\_SMBTR) configures the SMBus timeout values. If a timeout occurs, the slave will leave the bus. Furthermore, the FLEX\_TWI\_SR.TOUT bit is set.

### 37.9.5.5 High-Speed Slave Mode

High-speed mode is enabled when the FLEX\_TWI\_CR.HSEN bit is written to one. Furthermore, the analog pad filter must be enabled, the FLEX\_TWI\_FILTR.PADFEN bit must be written to one and the FLEX\_TWI\_FILTR.FILT bit must be cleared. TWI High-speed mode operation is similar to TWI operation with the following exceptions:

1. A master code is received first at normal speed before entering High-speed mode period.
2. When TWI High-speed mode is active, clock stretching is only allowed after acknowledge (ACK), not-acknowledge (NACK), START (S) or repeated START (Sr) (asa consequence, OVF may happen).

TWI High-speed mode allows transfers of up to 3.4 Mbit/s.

The TWI slave in High-speed mode requires that the peripheral clock runs at a minimum of 14 MHz if slave clock stretching is enabled (SCLWSDIS bit at '0'). If slave clock stretching is disabled (SCLWSDIS bit at '1'), the peripheral clock must run at a minimum of 11 MHz (assuming the system has no latency).

#### Notes:

1. When slave clock stretching is disabled, FLEX\_TWI\_RHR must always be read before receiving the next data (MASTER write frame). It is strongly recommended to use either the polling method on the FLEX\_TWI\_SR.RXRDY flag, or the DMA. If the receive is managed by an interrupt, the TWI interrupt priority must be set to the right level and its latency minimized to avoid receive overrun.
2. When slave clock stretching is disabled, FLEX\_TWI\_THR must be filled with the first data to send before the beginning of the frame (MASTER read frame). It is strongly recommended to use either the polling method on the FLEX\_TWI\_SR.TXRDY flag, or the DMA. If the transmit is managed by an interrupt, the TWI interrupt priority must be set to the right level and its latency minimized to avoid transmit underrun.

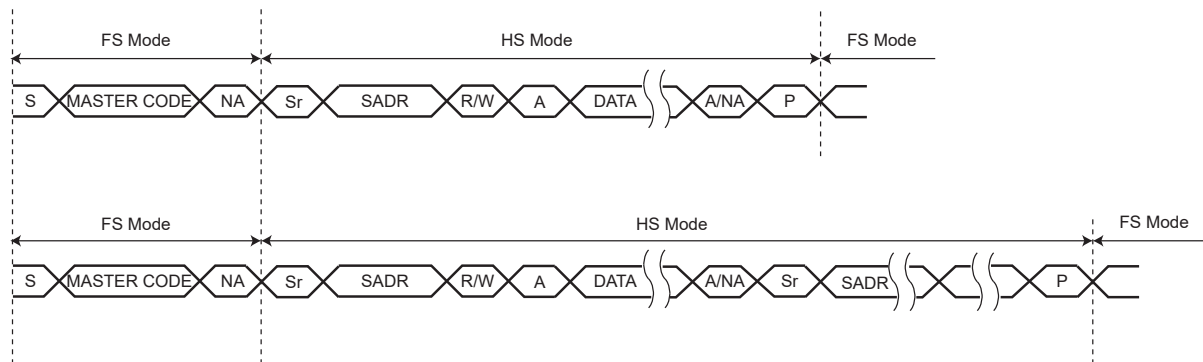
#### 37.9.5.5.1 Read/Write Operation

A TWI high-speed frame always begins with the following sequence:

1. START condition (S)
2. Master Code (0000 1XXX)
3. Not-acknowledge (NACK)

When the TWI is programmed in Slave mode and TWI High-speed mode is activated, master code matching is activated and internal timings are set to match the TWI High-speed mode requirements.

**Figure 37-93.** High-Speed Mode Read/Write



### 37.9.5.5.2 Usage

TWI High-speed mode usage is the same as the standard TWI (see section [Read/Write Flowcharts](#)).

### 37.9.5.6 Alternative Command

In Slave mode, the Alternative Command mode is used when the SMBus mode is enabled to send or check the PEC byte.

The Alternative Command mode is enabled by setting the ACMEN bit of the TWIHS Control Register, and the transfer is configured in TWIHS\_ACR.

For a combined transfer with PEC, only the NPEC bit in TWIHS\_ACR must be set as the PEC byte is sent once at the end of the frame.

See section [Slave Read/Write Flowcharts](#) for detailed flowcharts.

### 37.9.5.7 Slave Read/Write Flowcharts

The flowchart shown in the following figure gives an example of read and write operations in Slave mode. A polling or interrupt method can be used to check the status bits. The interrupt method requires that the Interrupt Enable Register (FLEX\_TWI\_IER) be configured first.

Figure 37-94. Read/Write in Slave Mode

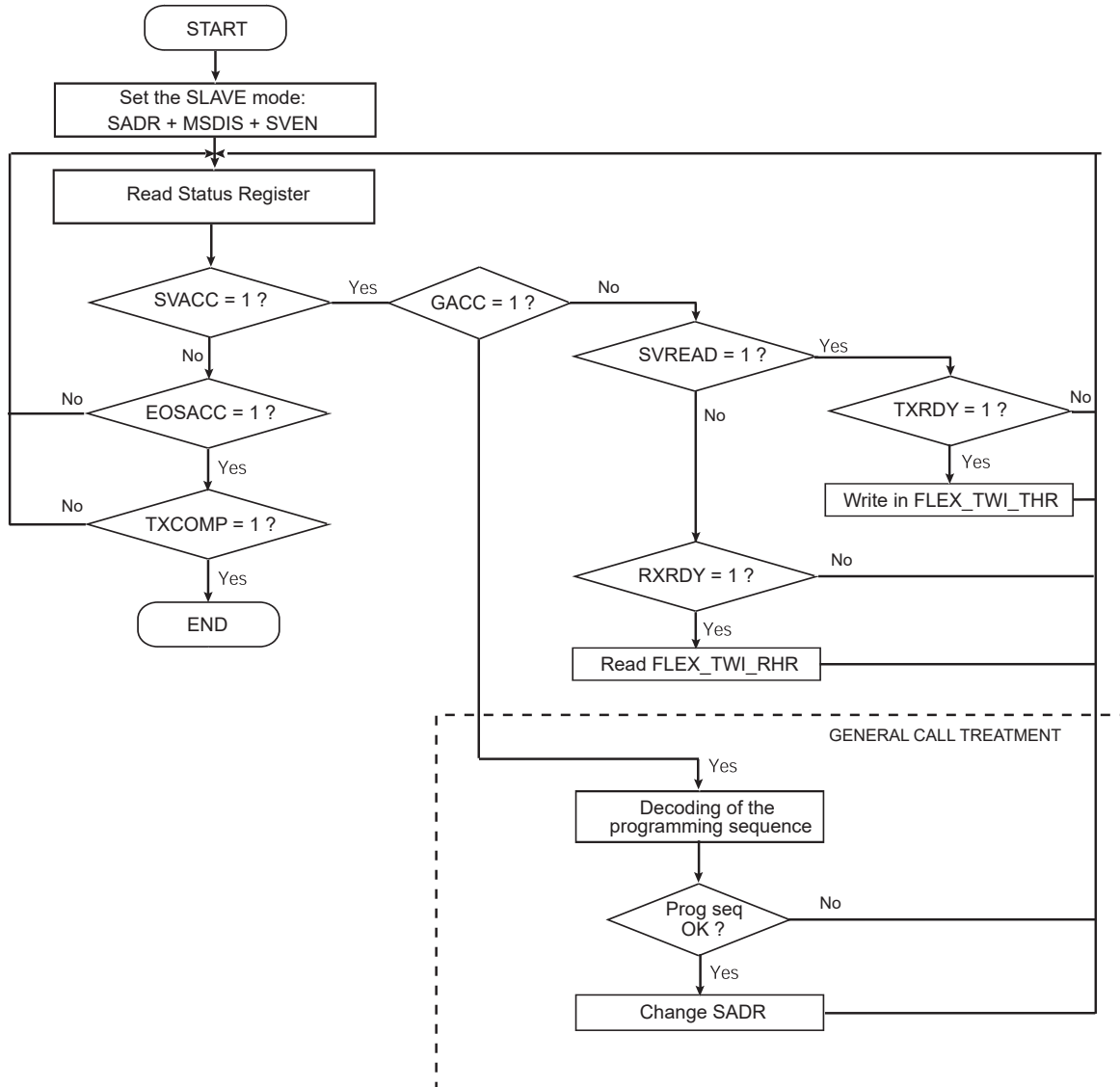
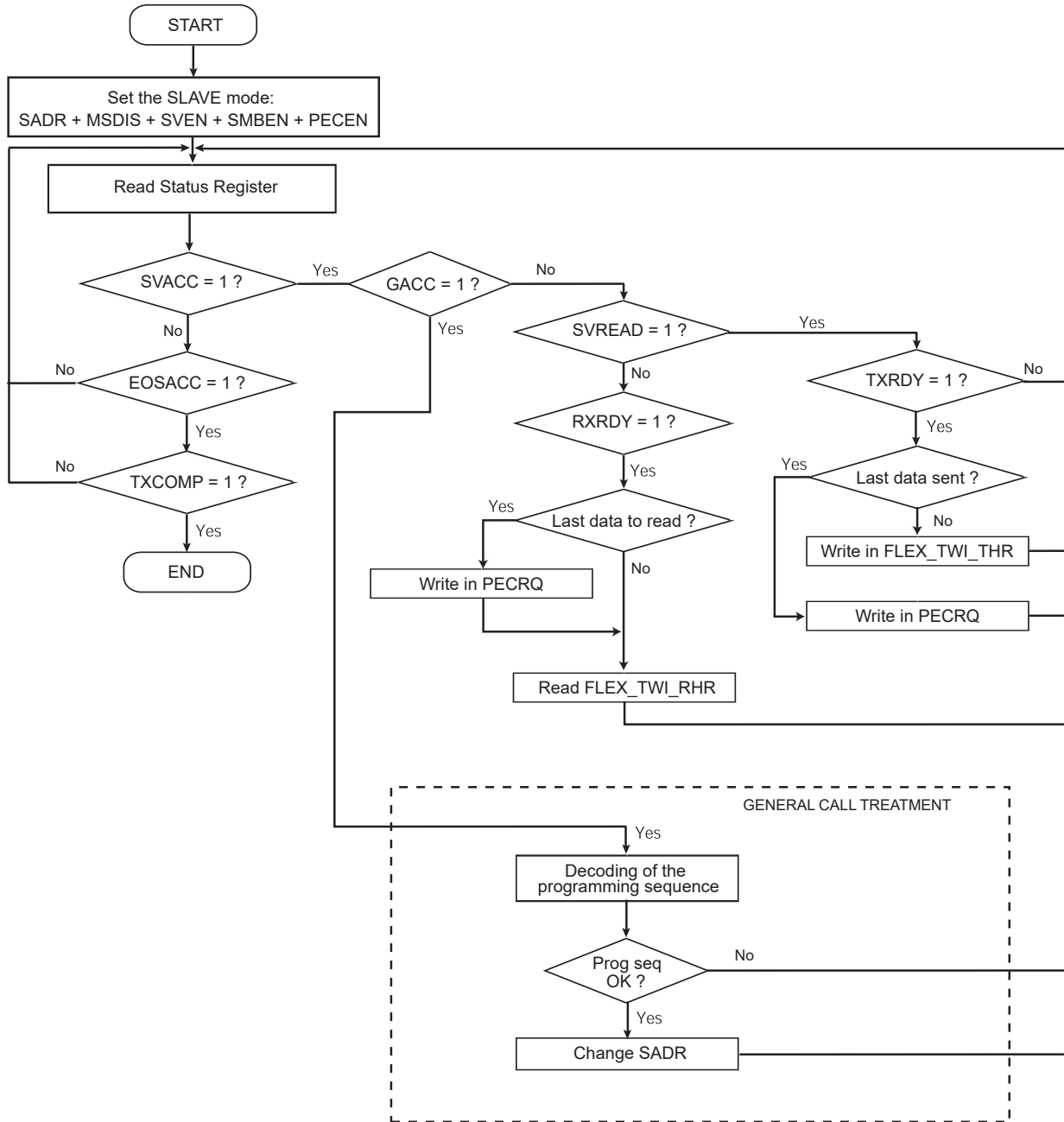
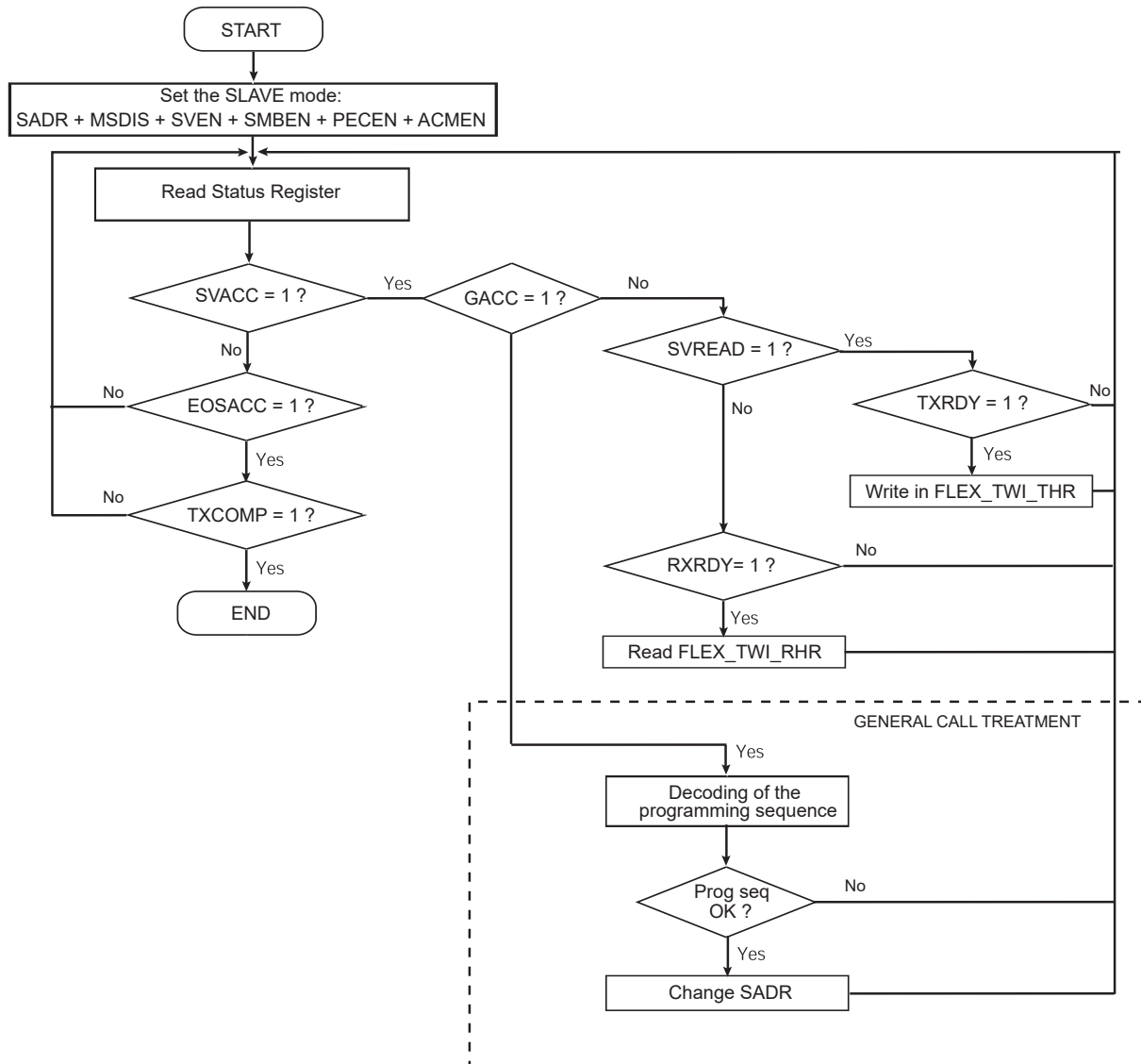


Figure 37-95. Read/Write in Slave Mode with SMBus PEC



**Figure 37-96.** Read/Write in Slave Mode with SMBus PEC and Alternative Command Mode

## 37.9.6 TWI FIFOs

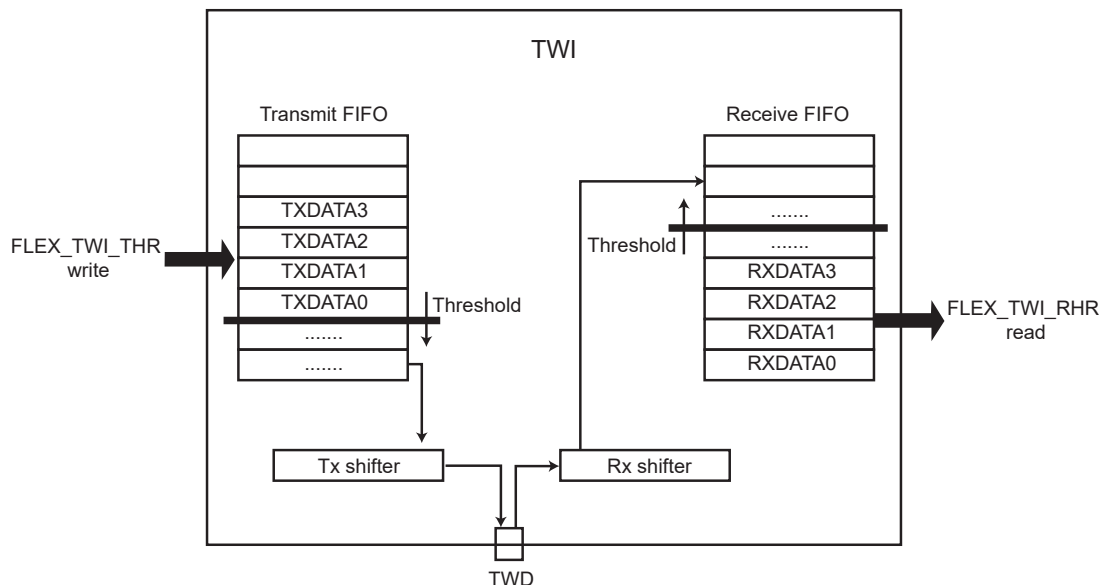
### 37.9.6.1 Overview

The TWI includes two FIFOs which can be enabled/disabled using FLEX\_TWI\_CR.FIFOEN/FIFODIS. Both Master and Slave modes must be disabled before enabling or disabling the FIFOs (FLEX\_TWI\_CR.MSDIS/SVDIS).

Writing FLEX\_TWI\_CR.FIFOEN to '1' enables a 8-data Transmit FIFO and a 8-data Receive FIFO.

It is possible to write or to read single or multiple data in the same access to FLEX\_TWI\_THR/RHR, depending on FLEX\_TWI\_FMR.TXRDYM/RXRDYM settings.

Figure 37-97. TWI FIFOs Block Diagram



### 37.9.6.2 Sending Data with FIFO Enabled

When the Transmit FIFO is enabled, write access to FLEX\_TWI\_THR loads the Transmit FIFO.

The Transmit FIFO level is provided in FLEX\_TWI\_FLR.TXFL. If the FIFO can accept the number of data to be transmitted, there is no need to monitor FLEX\_TWI\_SR.TXRDY and the data can be successively written in FLEX\_TWI\_THR.

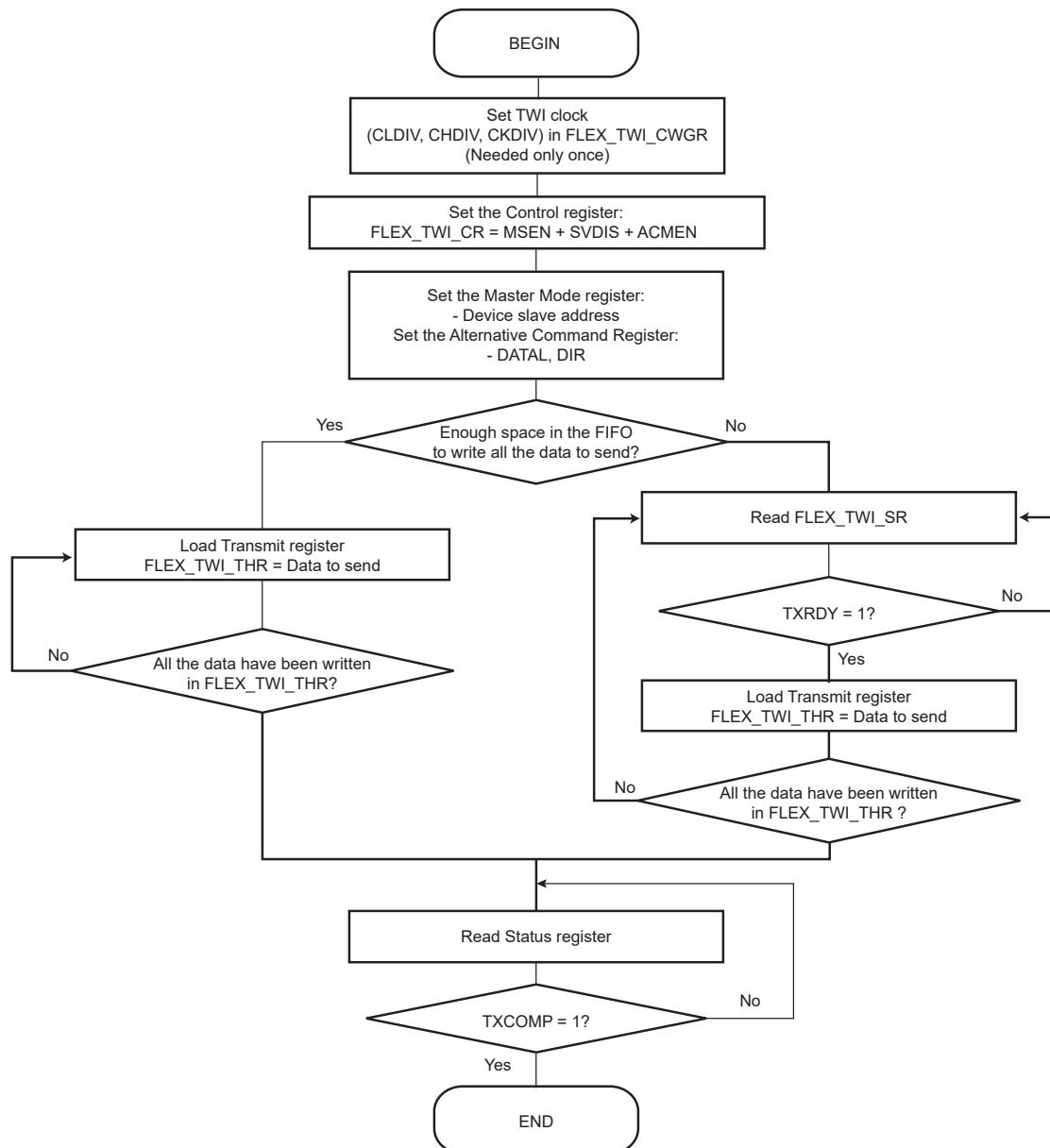
If the FIFO cannot accept the data due to insufficient space, wait for the TXRDY flag to be set before writing the data in FLEX\_TWI\_THR.

When the space in the FIFO allows only a portion of the data to be written, the TXRDY flag must be monitored before writing the remaining data.

See figures [Sending Data with FIFO Enabled in Master Mode](#) and [Sending/Receiving Data with FIFO Enabled in Slave Mode](#).



Figure 37-98. Sending Data with FIFO Enabled in Master Mode

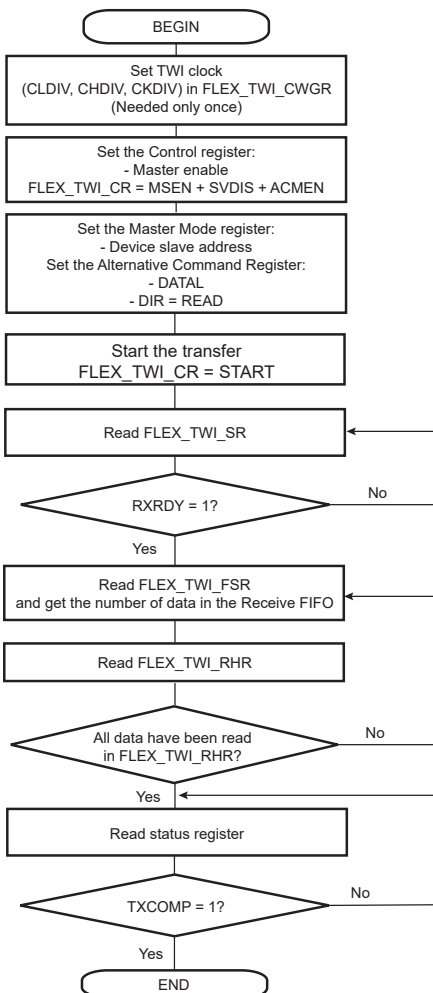


### 37.9.6.3 Receiving Data with FIFO Enabled

When the Receive FIFO is enabled, FLEX\_TWI\_RHR access reads the FIFO.

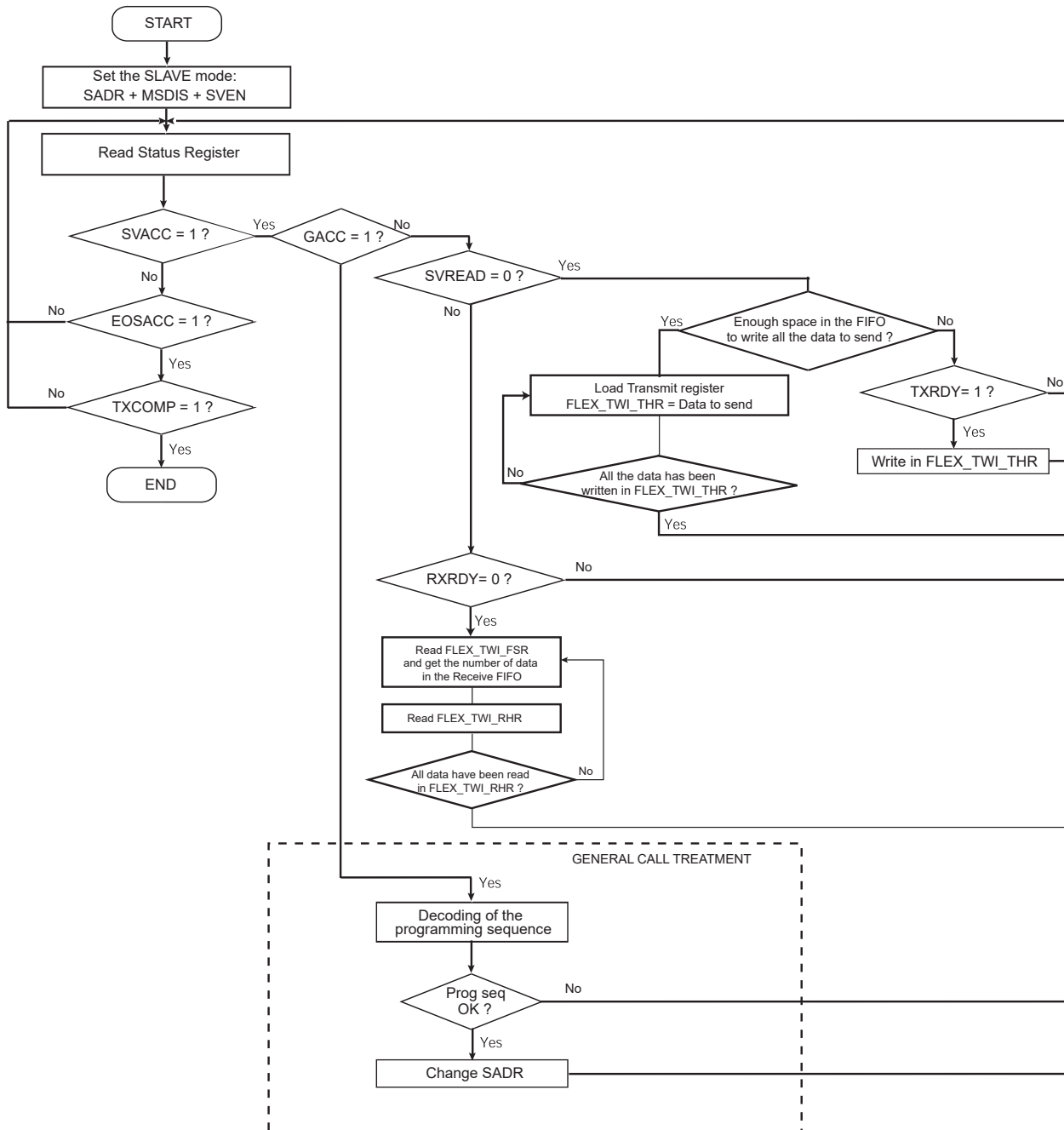
When data are present in the Receive FIFO (RXRDY flag set to '1'), the exact number of data can be checked with FLEX\_TWI\_FLR.RXFL. All the data can be read successively in FLEX\_TWI\_RHR without checking the FLEX\_TWI\_SR.RXRDY flag between each access.

See figures [Receiving Data with FIFO Enabled in Master Mode](#) and [Sending/Receiving Data with FIFO Enabled in Slave Mode](#).

**Figure 37-99. Receiving Data with FIFO Enabled in Master Mode****37.9.6.4 Sending/Receiving with FIFO Enabled in Slave Mode**

See sections [Sending Data with FIFO Enabled](#) and [Receiving Data with FIFO Enabled](#) for details.

Figure 37-100. Sending/Receiving Data with FIFO Enabled in Slave Mode



### 37.9.6.5 Clearing/Flushing FIFOs

Each FIFO can be cleared/flushed using FLEX\_TWI\_CR.TXFCLR/RXFCLR.

### 37.9.6.6 TXRDY and RXRDY Behavior

FLEX\_TWI\_SR.TXRDY/RXRDY flags display a specific behavior when FIFOs are enabled.

TXRDY indicates if a data can be written in the Transmit FIFO. Thus the TXRDY flag is set as long as the Transmit FIFO can accept new data. See figure [TXRDY Behavior when TXRDYM = 0 in Master mode](#).

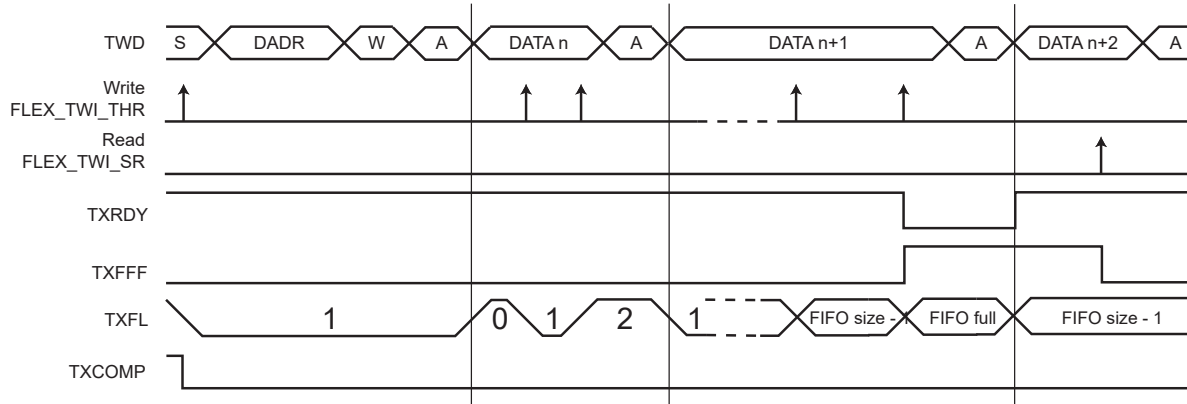
RXRDY indicates if an unread data is present in the Receive FIFO. Thus the RXRDY flag is set as soon as one unread data is in the Receive FIFO. Refer to figure [RXRDY Behavior when RXRDYM = 0 in Master and Slave modes](#).

TXRDY and RXRDY behavior can be modified using the TXRDYM and RXRDYM fields in the TWI FIFO Mode Register (FLEX\_TWI\_FMR) to reduce the number of accesses to FLEX\_TWI\_THR/RHR.

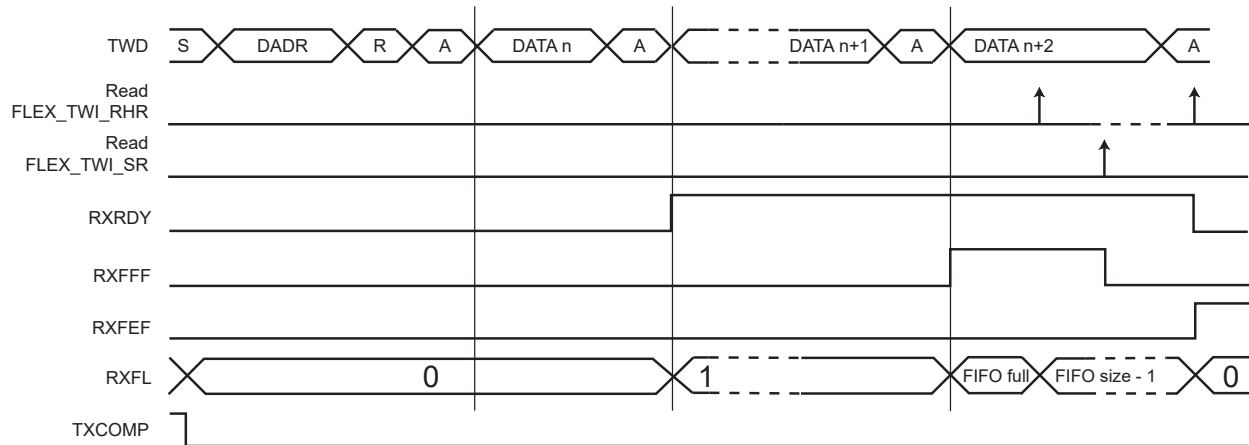
As an example, in Master mode, the Transmit FIFO can be loaded with multiple data in the same access by configuring TXRDYM>0.

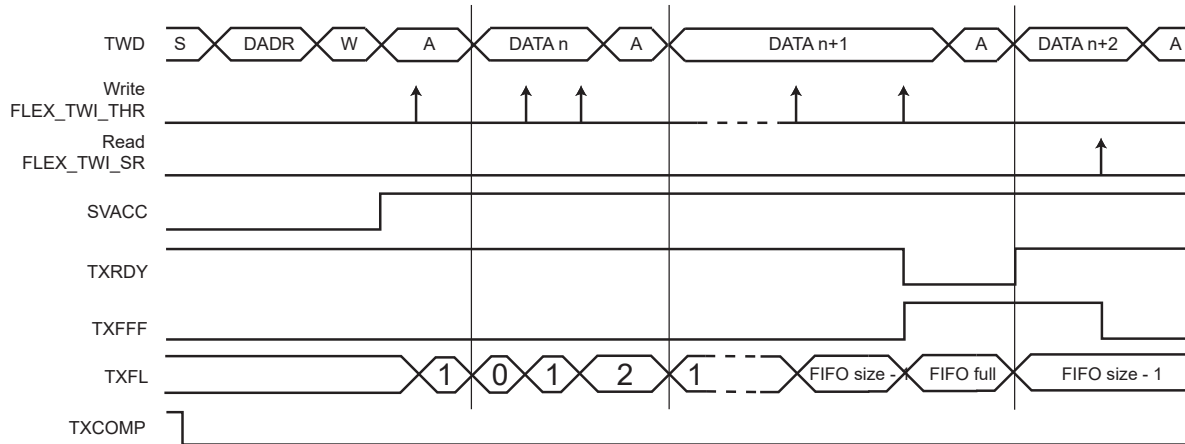
See TWI FIFO Mode Register for the FIFO configuration.

**Figure 37-101.** TXRDY Behavior when TXRDYM = 0 in Master Mode



**Figure 37-102.** RXRDY Behavior when RXRDYM = 0 in Master and Slave Modes



**Figure 37-103. TXRDY Behavior when TXRDYM = 0 in Slave Mode**

### 37.9.6.7 TWI Single Data Mode

In Single Data mode, only one data is written every time FLEX\_TWI\_THR is accessed, and only one data is read every time FLEX\_TWI\_RHR is accessed.

When FLEX\_TWI\_FMR.TXRDYM = 0, the Transmit FIFO operates in Single Data mode.

When FLEX\_TWI\_FMR.RXRDYM = 0, the Receive FIFO operates in Single Data mode.

See sections [TWI Transmit Holding Register](#) and [TWI Receive Holding Register](#).

### 37.9.6.8 TWI Multiple Data Mode

Multiple Data mode minimizes the number of accesses by concatenating the data to send/read in one access.

When FLEX\_TWI\_FMR.TXRDYM > 0, the Transmit FIFO operates in Multiple Data mode.

When FLEX\_TWI\_FMR.RXRDYM > 0, the Receive FIFO operates in Multiple Data mode.

In Multiple Data mode, it is possible to write/read up to four data in one FLEX\_TWI\_THR/ FLEX\_TWI\_RHR register access.

The number of data to write/read is defined by the size of the register access. If the access is a byte-size register access, only one data is written/read. If the access is a halfword size register access, then up to two data are read and only one data is written. Lastly, if the access is a wordsize register access, then up to four data are read and up to two data are written.

Written/Read data are always right-aligned, as described in sections [TWI Receive Holding Register \(FIFO Enabled\)](#) and [TWI Transmit Holding Register \(FIFO Enabled\)](#).

As an example, if the Transmit FIFO is empty and there are six data to send, either of the following write accesses may be performed:

- six FLEX\_TWI\_THR-byte write accesses
- three FLEX\_TWI\_THR-halfword write accesses
- one FLEX\_TWI\_THR-word write access and one FLEX\_TWI\_THR halfword write access

With a Receive FIFO containing six data, any of the following read accesses may be performed:

- six FLEX\_TWI\_RHR-byte read accesses
- three FLEX\_TWI\_RHR-halfword read accesses
- one FLEX\_TWI\_RHR-word read access and one FLEX\_TWI\_RHR-halfword read access

### 37.9.6.8.1 TXRDY and RXRDY Configuration

In Multiple Data mode, it is possible to write one or more data in the same FLEX\_TWI\_THR/FLEX\_TWI\_RHR access. The TXRDY flag indicates if one or more data can be written in the FIFO depending on the configuration of FLEX\_TWI\_FMR.TXRDYM/RXRDYM.

As an example, if two data are written each time in FLEX\_TWI\_THR, it is useful to configure the TXRDYM field to the value '1' so that the TXRDY flag is at '1' only when at least two data can be written in the Transmit FIFO.

In the same way, if four data are read each time in FLEX\_TWI\_RHR, it is useful to configure the RXRDYM field to the value '2' so that the RXRDY flag is at '1' only when at least four unread data are in the Receive FIFO.

### 37.9.6.8.2 DMAC

When FIFOs operate in Multiple Data mode, the DMAC transfer type must be configured in byte, halfword or word depending on the FLEX\_TWI\_FMR.TXRDYM/RXRDYM settings.

### 37.9.6.9 Transmit FIFO Lock

If a frame is terminated early due to a not-acknowledge error (NACK flag), SMBus timeout error (TOUT flag) or master code acknowledge error (MACK flag), a lock is set on the Transmit FIFO preventing any new frame from being sent until it is cleared. This allows clearing the FIFO if needed, resetting DMAC channels, etc., without any risk.

FLEX\_TWI\_SR.LOCK is used to check the state of the Transmit FIFO lock.

The Transmit FIFO lock can be cleared by setting FLEX\_TWI\_CR.TXFLCLR to '1'.

### 37.9.6.10 FIFO Pointer Error

A FIFO overflow is reported in FLEX\_TWI\_FSR.

If the Transmit FIFO is full and a write access is performed on FLEX\_TWI\_THR, it generates a Transmit FIFO pointer error and sets FLEX\_TWI\_FSR.TXFPTEF.

In Multiple Data mode, if the number of data written in FLEX\_TWI\_THR (according to the register access size) is greater than the free space in the Transmit FIFO, a Transmit FIFO pointer error is generated and FLEX\_TWI\_FSR.TXFPTEF is set.

A FIFO underflow is reported in FLEX\_TWI\_FSR.

In Multiple Data mode, if the number of data read in FLEX\_TWI\_RHR (according to the register access size) is greater than the number of unread data in the Receive FIFO, a Receive FIFO pointer error is generated and FLEX\_TWI\_FSR.RXFPTEF is set.

No pointer error occurs if the FIFO state/level is checked before writing/reading in FLEX\_TWI\_THR/FLEX\_TWI\_RHR. The FIFO state/level can be checked either with TXRDY, RXRDY, TXFL or RXFL. When a pointer error occurs, other FIFO flags may not behave as expected; their states should be ignored.

If a Transmit or Receive pointer error occurs, a software reset must be performed using FLEX\_TWI\_CR.SWRST. Note that issuing a software while transmitting might leave a slave in an unknown state holding the TWD line. In such case, a Bus Clear Command will allow to make the slave release the TWD line (the first frame sent afterwards might not be received properly by the slave).

### 37.9.6.11 FIFO Thresholds

Each Transmit and Receive FIFO includes a threshold feature used to set a flag and an interrupt when a FIFO threshold is crossed. Thresholds are defined as a number of data in the FIFO, and the FIFO state (TXFL or RXFL) represents the number of data currently in the FIFO.

The Transmit FIFO threshold can be set using the field FLEX\_TWI\_FMR.TXFTHRES. Each time the Transmit FIFO level goes from 'above threshold' to 'equal to or below threshold', the flag FLEX\_TWI\_FSR.TXFTHF is set. The application is warned that the Transmit FIFO has reached the defined threshold and that it can be reloaded.

The Receive FIFO threshold can be set using the field FLEX\_TWI\_FMR.RXFTHRES. Each time the Receive FIFO level goes from 'below threshold' to 'equal to or above threshold', the flag FLEX\_TWI\_FESR.RXFTHF is set. The application is warned that the Receive FIFO has reached the defined threshold and that it can be read to prevent an underflow.

The TXFTHF and RXFTHF flags can be configured to generate an interrupt using FLEX\_TWI\_FIER and FLEX\_TWI\_FIDR.

### 37.9.6.12 FIFO Flags

FIFOs come with a set of flags which can be configured to generate interrupts through FLEX\_TWI\_FIER and FLEX\_TWI\_FIDR.

FIFO flags state can be read in FLEX\_TWI\_FSR. They are cleared when FLEX\_TWI\_FSR is read.

### 37.9.7 Sniffer Mode

The Slave Sniffer mode of a TWI can be enabled to ease the analysis/debug of a TWI bus activity. The TWI bus to be analyzed can be mastered by one TWI master embedded in the product or mastered by an I2C master outside the product.

In this mode, the TWI reports all (or part of) the TWI bus activity without impacting the TWI bus (no bus drive is performed). Depending on the MASK field value, only some specific transfers can be logged instead of the whole activity.

The peripheral TWIn+1 can be configured to analyze the peripheral TWIn (n being the instance index of the TWI) in a full transparent mode via predefined internal connections between TWI instances.

The predefined internal connections provides the capability to use the TWD and TWCK pins for alternate functions while the TWI peripheral is configured in Sniffer Slave mode and the selected TWI bus to analyze is carried on these internal links.

The following fields must be programmed before entering Slave mode:

1. FLEX\_TWI\_SMR.SADR: Use the slave device address to indicate which frame(s) to log.
2. FLEX\_TWI\_SMR.MASK: Indicate which SADR bits should be masked and thus which transfers should be logged (set to 0x7F to log the whole TWI bus activity; all SADR bits are masked in this case). General Call accesses will always match.
3. FLEX\_TWI\_SMR.BSEL: Select the TWI bus to analyze (see [Figure 37-104](#)).
4. FLEX\_TWI\_SMR.SNIFF: Set to '1' to enable Slave Sniffer mode.
5. FLEX\_TWI\_CR.MSDIS: Disable Master mode.
6. FLEX\_TWI\_CR.SVEN: Enable Slave mode.

As the device receives the clock, values written in FLEX\_TWI\_CWGR are not relevant.

Once configured in Slave Sniffer mode, the FLEX\_TWI\_SR.RXRDY bit indicates when a transfer has been logged in FLEX\_TWI\_RHR. An interrupt can be generated if configured. The FLEX\_TWI\_SR.OVRE flag indicates if an overrun error occurred if the application is not fast enough to read FLEX\_TWI\_RHR.

In Slave Sniffer mode, FLEX\_TWI\_RHR logs data as follows:

- The RXDATA field reports the sniffed 8-bit data field.
- The SSTATE field indicates if a START condition has been detected before the 8-bit data field.
- The PSTATE field indicates if a STOP condition has been detected after the previously sniffed 8-bit data field.
- The ASTATE field indicates which acknowledge condition has been detected after the previously sniffed 8-bit data field.

Figure 37-104. Sniffer Mode Application Overview

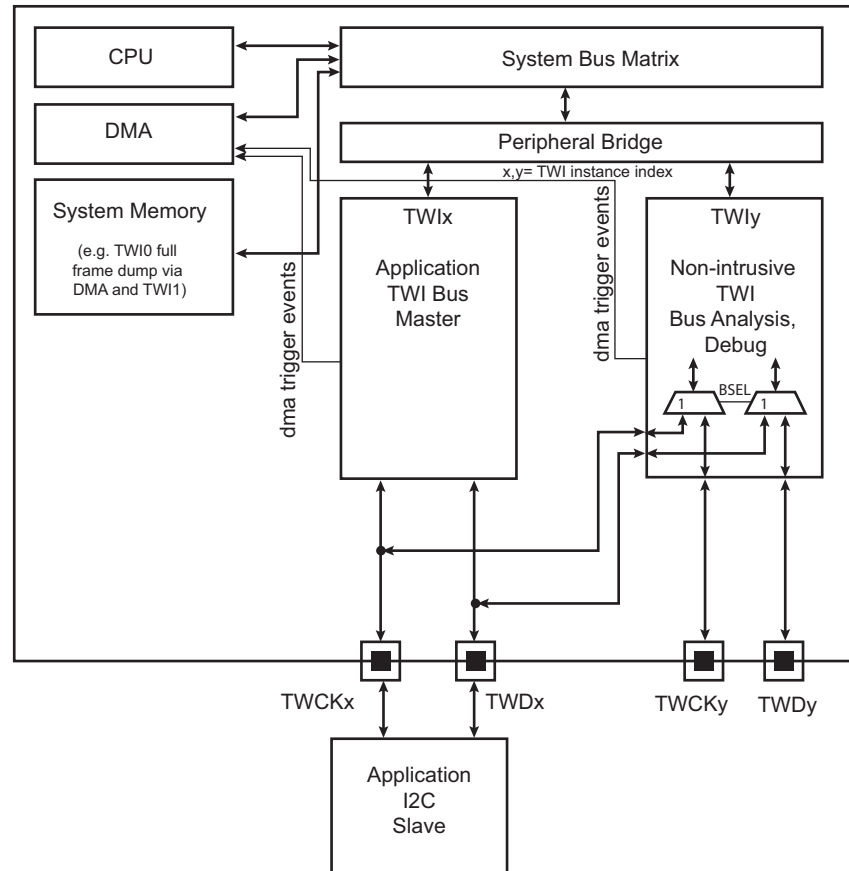
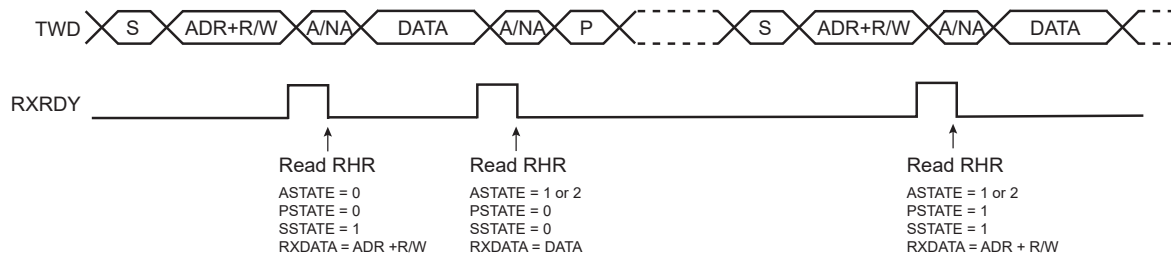


Figure 37-105. Slave Sniffer Mode Log



### 37.9.8 TWI Register Write Protection

The FLEXCOM operating mode (FLEX\_MR.OPMODE) must be set to FLEX\_MR\_OPMODE\_TWI to enable access to the write protection registers.

To prevent any single software error from corrupting TWI behavior, certain registers in the address space can be write-protected by setting the WPEN (Write Protection Enable), WPITEN (Write Protection Interrupt Enable), and/or WPCREN (Write Protection Control Enable) bits in the TWI Write Protection Mode Register (FLEX\_TWI\_WPMR).

If a write access to a write-protected register is detected, the Write Protection Violation Status (WPVS) flag in the TWI Write Protection Status Register (FLEX\_TWI\_WPSR) is set and the Write Protection Violation Source (WPVSR) field indicates the register in which the write access has been attempted.

The WPVS bit is automatically cleared after reading FLEX\_TWI\_WPSR.



The following register(s) can be write-protected when WPEN is set:

- TWI Slave Mode Register
- TWI Clock Waveform Generator Register
- TWI SMBus Timing Register
- TWI FIFO Mode Register

The following register(s) can be write-protected when WPITEN is set:

- TWI Interrupt Enable Register
- TWI Interrupt Disable Register

The following register(s) can be write-protected when WPCREN is set:

- TWI Control Register

## 37.10 Register Summary

Offset	Name	Bit Pos.	7	6	5	4	3	2	1	0
0x00	FLEX_MR	7:0							OPMODE[1:0]	
		15:8								
		23:16								
		31:24								
0x04 ... 0x0F	Reserved									
0x10	FLEX_RHR	7:0	RXDATA[7:0]							
		15:8	RXDATA[15:8]							
		23:16								
		31:24								
0x14 ... 0x1F	Reserved									
0x20	FLEX_THR	7:0	TXDATA[7:0]							
		15:8	TXDATA[15:8]							
		23:16								
		31:24								
0x24 ... 0x01FF	Reserved									
0x0200	FLEX_US_CR	7:0	TXDIS	TXEN	RXDIS	RXEN	RSTTX	RSTRX		
		15:8	RETTO			SENDA	STTTO	STPBRK	STTBRK	RSTSTA
		23:16					RTSDIS	RTSEN		
		31:24	FIFODIS	FIFOEN		REQCLR		TXFLCLR	RXFCLR	TXFCLR
0x0204	FLEX_US_MR	7:0	CHRL[1:0]		USCLKS[1:0]		USART_MODE[3:0]			
		15:8	CHMODE[1:0]		NBSTOP[1:0]		PAR[2:0]		SYNC	
		23:16		VAR_SYNC			OVER	CLKO	MODE9	
		31:24	ONEBIT	MODSYNC	MAN	FILTER				
0x0208	FLEX_US_IER	7:0	PARE	FRAME	OVRE			RXBRK	TXRDY	RXRDY
		15:8							TXEMPTY	TIMEOUT
		23:16		CMP			CTSIC			
		31:24								MANE
0x020C	FLEX_US_IDR	7:0	PARE	FRAME	OVRE			RXBRK	TXRDY	RXRDY
		15:8							TXEMPTY	TIMEOUT
		23:16		CMP			CTSIC			
		31:24								MANE
0x0210	FLEX_US_IMR	7:0	PARE	FRAME	OVRE			RXBRK	TXRDY	RXRDY
		15:8							TXEMPTY	TIMEOUT
		23:16		CMP			CTSIC			
		31:24								MANE
0x0214	FLEX_US_CSR	7:0	PARE	FRAME	OVRE			RXBRK	TXRDY	RXRDY
		15:8							TXEMPTY	TIMEOUT
		23:16	CTS	CMP			CTSIC			
		31:24								MANE
0x0218	FLEX_US_RHR	7:0	RXCHR[7:0]							
		15:8	RXSYNH							RXCHR[8]
		23:16								
		31:24								
0x0218	FLEX_US_RHR (FIFO_MULTI_DATA)	7:0	RXCHR0[7:0]							
		15:8	RXCHR1[7:0]							
		23:16	RXCHR2[7:0]							
		31:24	RXCHR3[7:0]							
0x021C	FLEX_US_THR	7:0	TXCHR[7:0]							
		15:8	TXSYNH							TXCHR[8]
		23:16								
		31:24								

.....continued

Offset	Name	Bit Pos.	7	6	5	4	3	2	1	0	
0x021C	FLEX_US_THR (FIFO_MULTI_DATA)	7:0	TXCHR0[7:0]								
		15:8	TXCHR1[7:0]								
		23:16	TXCHR2[7:0]								
		31:24	TXCHR3[7:0]								
0x0220	FLEX_US_BRGR	7:0	CD[7:0]								
		15:8	CD[15:8]								
		23:16								FP[2:0]	
		31:24									
0x0224	FLEX_US_RTOR	7:0	TO[7:0]								
		15:8									
		23:16									
		31:24									
0x0228	FLEX_US_TTGR	7:0	TG[7:0]								
		15:8									
		23:16									
		31:24									
0x022C ... 0x024F	Reserved										
0x0250	FLEX_US_MAN	7:0					TX_PL[3:0]				
		15:8				TX_MPOL			TX_PP[1:0]		
		23:16					RX_PL[3:0]				
		31:24	RXIDLEV	DRIFT	ONE	RX_MPOL			RX_PP[1:0]		
0x0254 ... 0x028F	Reserved										
0x0290	FLEX_US_CMPR	7:0	VAL1[7:0]								
		15:8		CMPPAR		CMPMODE				VAL1[8]	
		23:16	VAL2[7:0]								
		31:24								VAL2[8]	
0x0294 ... 0x029F	Reserved										
0x02A0	FLEX_US_FMR	7:0	FRTSC		RXRDYM[1:0]				TXRDYM[1:0]		
		15:8				TXFTHRES[5:0]					
		23:16				RXFTHRES[5:0]					
		31:24				RXFTHRES2[5:0]					
0x02A4	FLEX_US_FLR	7:0				TXFL[5:0]					
		15:8									
		23:16				RXFL[5:0]					
		31:24									
0x02A8	FLEX_US_FIER	7:0	RXFPTEF	TXFPTEF	RXFTHF	RXFFF	RXFEF	TXFTHF	TXFFF	TXFEF	
		15:8								RXFTHF2	
		23:16									
		31:24									
0x02AC	FLEX_US_FIDR	7:0	RXFPTEF	TXFPTEF	RXFTHF	RXFFF	RXFEF	TXFTHF	TXFFF	TXFEF	
		15:8								RXFTHF2	
		23:16									
		31:24									
0x02B0	FLEX_US_FIMR	7:0	RXFPTEF	TXFPTEF	RXFTHF	RXFFF	RXFEF	TXFTHF	TXFFF	TXFEF	
		15:8								RXFTHF2	
		23:16									
		31:24									
0x02B4	FLEX_US_FESR	7:0	RXFPTEF	TXFPTEF	RXFTHF	RXFFF	RXFEF	TXFTHF	TXFFF	TXFEF	
		15:8								RXFTHF2	
		23:16								TXFLOCK	
		31:24									
0x02B8 ... 0x02E3	Reserved										

.....continued

Offset	Name	Bit Pos.	7	6	5	4	3	2	1	0
0x02E4	FLEX_US_WPMR	7:0								WPEN
		15:8				WPKEY[7:0]				
		23:16				WPKEY[15:8]				
		31:24				WPKEY[23:16]				
0x02E8	FLEX_US_WPSR	7:0								WPVS
		15:8				WPVSR[7:0]				
		23:16				WPVSR[15:8]				
		31:24								
0x02EC ... 0x03FF	Reserved									
0x0400	FLEX_SPI_CR	7:0	SWRST						SPIDIS	SPIEN
		15:8				REQCLR				
		23:16							RXFCLR	TXFCLR
		31:24	FIFODIS	FIFOEN						
0x0404	FLEX_SPI_MR	7:0	LLB		WDRBT	MODFDIS	BR SRCCLK	PCSDEC	PS	MSTR
		15:8				CMPMODE				
		23:16						PCS[3:0]		
		31:24				DLYBCS[7:0]				
0x0408	FLEX_SPI_RDR	7:0				RD[7:0]				
		15:8				RD[15:8]				
		23:16						PCS[3:0]		
		31:24								
0x0408	FLEX_SPI_RDR (FIFO_MULTI_DATA_8)	7:0				RD0[7:0]				
		15:8				RD1[7:0]				
		23:16				RD2[7:0]				
		31:24				RD3[7:0]				
0x0408	FLEX_SPI_RDR (FIFO_MULTI_DATA_16)	7:0				RD0[7:0]				
		15:8				RD0[15:8]				
		23:16				RD1[7:0]				
		31:24				RD1[15:8]				
0x040C	FLEX_SPI_TDR	7:0				TD[7:0]				
		15:8				TD[15:8]				
		23:16						PCS[3:0]		
		31:24								LASTXFER
0x040C	FLEX_SPI_TDR (FIFO_MULTI_DATA)	7:0				TD0[7:0]				
		15:8				TD0[15:8]				
		23:16				TD1[7:0]				
		31:24				TD1[15:8]				
0x0410	FLEX_SPI_SR	7:0					OVRES	MODF	TDRE	RDRF
		15:8				SFERR	CMP	UNDES	TXEMPTY	NSSR
		23:16								SPIENS
		31:24	RXFPTEF	TXFPTEF	RXFTHF	RXFFF	RXFEF	TXFTHF	TXFFF	TXFEF
0x0414	FLEX_SPI_IER	7:0					OVRES	MODF	TDRE	RDRF
		15:8					CMP	UNDES	TXEMPTY	NSSR
		23:16								
		31:24	RXFPTEF	TXFPTEF	RXFTHF	RXFFF	RXFEF	TXFTHF	TXFFF	TXFEF
0x0418	FLEX_SPI_IDR	7:0					OVRES	MODF	TDRE	RDRF
		15:8					CMP	UNDES	TXEMPTY	NSSR
		23:16								
		31:24	RXFPTEF	TXFPTEF	RXFTHF	RXFFF	RXFEF	TXFTHF	TXFFF	TXFEF
0x041C	FLEX_SPI_IMR	7:0					OVRES	MODF	TDRE	RDRF
		15:8					CMP	UNDES	TXEMPTY	NSSR
		23:16								
		31:24	RXFPTEF	TXFPTEF	RXFTHF	RXFFF	RXFEF	TXFTHF	TXFFF	TXFEF
0x0420 ... 0x042F	Reserved									

.....continued

Offset	Name	Bit Pos.	7	6	5	4	3	2	1	0	
0x0430	FLEX_SPI_CSR0	7:0	BITS[3:0]				CSAAT	CSNAAT	NCPHA	CPOL	
		15:8				SCBR[7:0]					
		23:16				DLYBS[7:0]					
		31:24				DLYBCT[7:0]					
0x0434	FLEX_SPI_CSR1	7:0	BITS[3:0]				CSAAT	CSNAAT	NCPHA	CPOL	
		15:8				SCBR[7:0]					
		23:16				DLYBS[7:0]					
		31:24				DLYBCT[7:0]					
0x0438	FLEX_SPI_CSR2	7:0	BITS[3:0]				CSAAT	CSNAAT	NCPHA	CPOL	
		15:8				SCBR[7:0]					
		23:16				DLYBS[7:0]					
		31:24				DLYBCT[7:0]					
0x043C	FLEX_SPI_CSR3	7:0	BITS[3:0]				CSAAT	CSNAAT	NCPHA	CPOL	
		15:8				SCBR[7:0]					
		23:16				DLYBS[7:0]					
		31:24				DLYBCT[7:0]					
0x0440	FLEX_SPI_FMR	7:0			RXRDYM[1:0]				TXRDYM[1:0]		
		15:8									
		23:16					TXFTHRES[5:0]				
		31:24					RXFTHRES[5:0]				
0x0444	FLEX_SPI_FLR	7:0					TXFL[5:0]				
		15:8									
		23:16					RXFL[5:0]				
		31:24									
0x0448	FLEX_SPI_CMPR	7:0				VAL1[7:0]					
		15:8				VAL1[15:8]					
		23:16				VAL2[7:0]					
		31:24				VAL2[15:8]					
0x044C ... 0x04E3	Reserved										
0x04E4	FLEX_SPI_WPMR	7:0						WPCREN	WPITEN	WPEN	
		15:8				WPKEY[7:0]					
		23:16				WPKEY[15:8]					
		31:24				WPKEY[23:16]					
0x04E8	FLEX_SPI_WPSR	7:0								WPVS	
		15:8				WPVSR[7:0]					
		23:16									
		31:24									
0x04EC ... 0x05FF	Reserved										
0x0600	FLEX_TWI_CR	7:0	SWRST	QUICK	SVDIS	SVEN	MSDIS	MSEN	STOP	START	
		15:8	CLEAR	PECRQ	PECDIS	PECEN	SMBDIS	SMBEN	HSDIS	HSEN	
		23:16							ACMDIS	ACMEN	
		31:24			FIFODIS	FIFOEN		LOCKCLR		THRCLR	
0x0600	FLEX_TWI_CR (FIFO_ENABLED)	7:0	SWRST	QUICK	SVDIS	SVEN	MSDIS	MSEN	STOP	START	
		15:8	CLEAR	PECRQ	PECDIS	PECEN	SMBDIS	SMBEN	HSDIS	HSEN	
		23:16							ACMDIS	ACMEN	
		31:24			FIFODIS	FIFOEN		TXFLCLR	RXFCLR	TXFCLR	
0x0604	FLEX_TWI_MMR	7:0									
		15:8				MREAD			IADRSZ[1:0]		
		23:16					DADR[6:0]				
		31:24								NOAP	
0x0608	FLEX_TWI_SMR	7:0	SNIFF	SCLWSDIS	BSEL	SADAT	SMHH	SMDA		NACKEN	
		15:8					MASK[6:0]				
		23:16					SADR[6:0]				
		31:24									

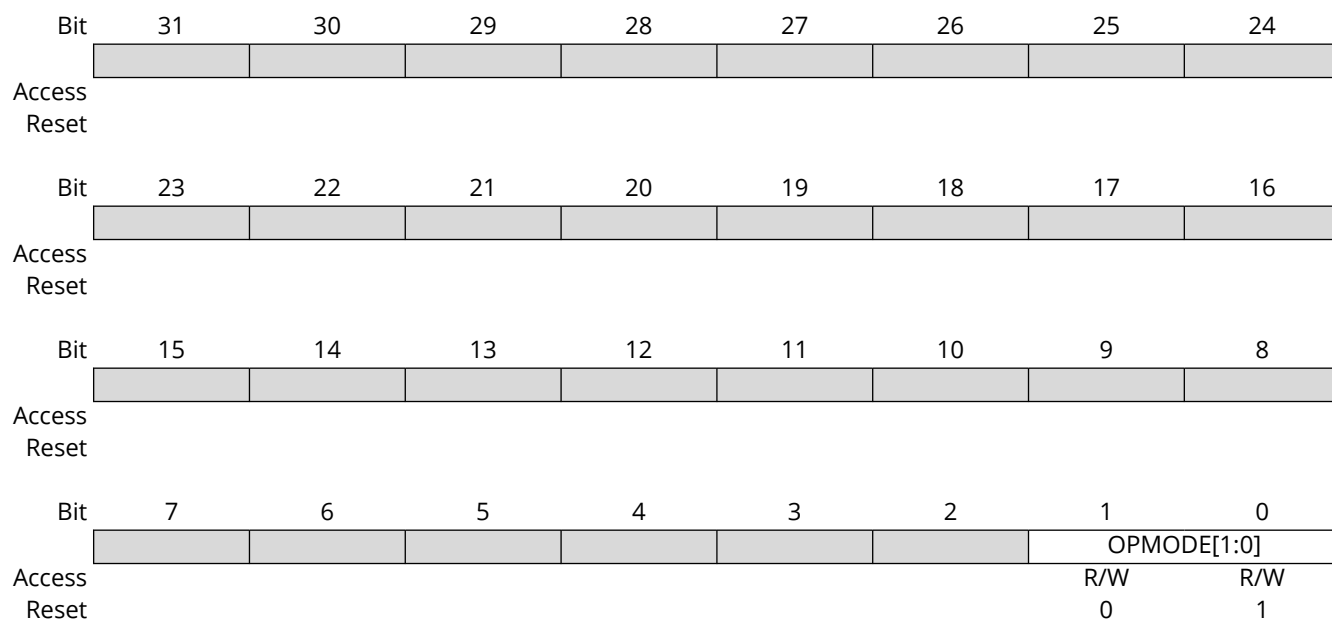
.....continued

Offset	Name	Bit Pos.	7	6	5	4	3	2	1	0		
0x060C	FLEX_TWI_IADR	7:0	IADR[7:0]									
		15:8	IADR[15:8]									
		23:16	IADR[23:16]									
		31:24										
0x0610	FLEX_TWI_CWGR	7:0	CLDIV[7:0]									
		15:8	CHDIV[7:0]									
		23:16					BRSRCLK		CKDIV[2:0]			
		31:24	HOLD[5:0]									
0x0614 ... 0x061F	Reserved											
0x0620	FLEX_TWI_SR	7:0	UNRE	OVRE	GACC	SVACC	SVREAD	TXRDY	RXRDY	TXCOMP		
		15:8					EOSACC	SCLWS	ARBLST	NACK		
		23:16	LOCK		SMBHHM	SMBDAM	PECERR	TOUT	SMBAF	MCACK		
		31:24						SR	SDA	SCL		
0x0620	FLEX_TWI_SR (FIFO_ENABLED)	7:0	UNRE	OVRE	GACC	SVACC	SVREAD	TXRDY	RXRDY	TXCOMP		
		15:8					EOSACC	SCLWS	ARBLST	NACK		
		23:16	TXFLOCK		SMBHHM	SMBDAM	PECERR	TOUT	SMBAF	MCACK		
		31:24						SR	SDA	SCL		
0x0624	FLEX_TWI_IER	7:0	UNRE	OVRE	GACC	SVACC		TXRDY	RXRDY	TXCOMP		
		15:8	TXBUFE	RXBUFE	ENDTX	ENDRX	EOSACC	SCL_WS	ARBLST	NACK		
		23:16			SMBHHM	SMBDAM	PECERR	TOUT		MCACK		
		31:24										
0x0628	FLEX_TWI_IDR	7:0	UNRE	OVRE	GACC	SVACC		TXRDY	RXRDY	TXCOMP		
		15:8	TXBUFE	RXBUFE	ENDTX	ENDRX	EOSACC	SCL_WS	ARBLST	NACK		
		23:16			SMBHHM	SMBDAM	PECERR	TOUT		MCACK		
		31:24										
0x062C	FLEX_TWI_IMR	7:0	UNRE	OVRE	GACC	SVACC		TXRDY	RXRDY	TXCOMP		
		15:8	TXBUFE	RXBUFE	ENDTX	ENDRX	EOSACC	SCL_WS	ARBLST	NACK		
		23:16			SMBHHM	SMBDAM	PECERR	TOUT		MCACK		
		31:24										
0x0630	FLEX_TWI_RHR	7:0	RXDATA[7:0]									
		15:8					ASTATE[1:0]		PSTATE	SSTATE[1:0]		
		23:16										
		31:24										
0x0630	FLEX_TWI_RHR (FIFO_ENABLED)	7:0	RXDATA0[7:0]									
		15:8	RXDATA1[7:0]									
		23:16	RXDATA2[7:0]									
		31:24	RXDATA3[7:0]									
0x0634	FLEX_TWI_THR	7:0	TXDATA[7:0]									
		15:8										
		23:16										
		31:24										
0x0634	FLEX_TWI_THR (FIFO_ENABLED)	7:0	TXDATA0[7:0]									
		15:8	TXDATA1[7:0]									
		23:16	TXDATA2[7:0]									
		31:24	TXDATA3[7:0]									
0x0638	FLEX_TWI_SMBTR	7:0	PRESC[3:0]									
		15:8	TLOWS[7:0]									
		23:16	TLOWM[7:0]									
		31:24	THMAX[7:0]									
0x063C ... 0x063F	Reserved											
0x0640	FLEX_TWI_ACR	7:0	DATAL[7:0]									
		15:8							PEC	DIR		
		23:16	NDATAL[7:0]									
		31:24							NPEC	NDIR		

.....continued											
Offset	Name	Bit Pos.	7	6	5	4	3	2	1	0	
0x0644	FLEX_TWI_FILTR	7:0							PADFEN	FILT	
		15:8							THRES[2:0]		
		23:16									
		31:24									
0x0648 ... 0x064F	Reserved										
0x0650	FLEX_TWI_FMR	7:0			RXRDYM[1:0]				TXRDYM[1:0]		
		15:8									
		23:16					TXFTHRES[5:0]				
		31:24					RXFTHRES[5:0]				
0x0654	FLEX_TWI_FLR	7:0					TXFL[5:0]				
		15:8									
		23:16					RXFL[5:0]				
		31:24									
0x0658 ... 0x065F	Reserved										
0x0660	FLEX_TWI_FSR	7:0	RXFPTEF	TXFPTEF	RXFTHF	RXFFF	RXFEF	TXFTHF	TXFFF	TXFEF	
		15:8									
		23:16									
		31:24									
0x0664	FLEX_TWI_FIER	7:0	RXFPTEF	TXFPTEF	RXFTHF	RXFFF	RXFEF	TXFTHF	TXFFF	TXFEF	
		15:8									
		23:16									
		31:24									
0x0668	FLEX_TWI_FIDR	7:0	RXFPTEF	TXFPTEF	RXFTHF	RXFFF	RXFEF	TXFTHF	TXFFF	TXFEF	
		15:8									
		23:16									
		31:24									
0x066C	FLEX_TWI_FIMR	7:0	RXFPTEF	TXFPTEF	RXFTHF	RXFFF	RXFEF	TXFTHF	TXFFF	TXFEF	
		15:8									
		23:16									
		31:24									
0x0670 ... 0x06E3	Reserved										
0x06E4	FLEX_TWI_WPMR	7:0						WPCREN	WPITEN	WPEN	
		15:8			WPKEY[7:0]						
		23:16			WPKEY[15:8]						
		31:24			WPKEY[23:16]						
0x06E8	FLEX_TWI_WPSR	7:0								WPVS	
		15:8			WPVSR[7:0]						
		23:16			WPVSR[15:8]						
		31:24			WPVSR[23:16]						

### 37.10.1 FLEXCOM Mode Register

**Name:** FLEX\_MR  
**Offset:** 0x000  
**Reset:** 0x00000001  
**Property:** Read/Write



#### Bits 1:0 – OPMODE[1:0] FLEXCOM Operating Mode

Value	Name	Description
0	NO_COM	No communication
1	USART	All UART-related protocols are selected (RS232, RS485, ) SPI/TWI-related registers are not accessible and have no impact on IOs.
2	SPI	SPI operating mode is selected. USART/TWI related registers are not accessible and have no impact on IOs.
3	TWI	All TWI-related protocols are selected (TWI, SMBus). USART/SPI-related registers are not accessible and have no impact on IOs.



### 37.10.2 FLEXCOM Receive Holding Register

**Name:** FLEX\_RHR  
**Offset:** 0x010  
**Reset:** 0x00000000  
**Property:** Read-only

If enabled in the SFR module (default is disabled), a debugger read access does not clear the clear-on-read flags in FLEX\_US\_CSR, FLEX\_SPI\_SR, FLEX\_TWI\_SR.

Bit	31	30	29	28	27	26	25	24
Access								
Reset								
Bit	23	22	21	20	19	18	17	16
Access								
Reset								
Bit	15	14	13	12	11	10	9	8
	RXDATA[15:8]							
Access	R	R	R	R	R	R	R	R
Reset	0	0	0	0	0	0	0	0
Bit	7	6	5	4	3	2	1	0
	RXDATA[7:0]							
Access	R	R	R	R	R	R	R	R
Reset	0	0	0	0	0	0	0	0

#### Bits 15:0 – RXDATA[15:0] Receive Data

This register is a mirror of:

- USART Receive Holding Register (FLEX\_US\_RHR) if FLEX\_MR.OPMODE field equals 1
- SPI Receive Data Register (FLEX\_SPI\_RDR) if FLEX\_MR.OPMODE field equals 2
- TWI Transmit Holding Register (FLEX\_TWI\_RHR) if FLEX\_MR.OPMODE field equals 3

### 37.10.3 FLEXCOM Transmit Holding Register

**Name:** FLEX\_THR  
**Offset:** 0x020  
**Reset:** 0x00000000  
**Property:** Read/Write

Bit	31	30	29	28	27	26	25	24
Access								
Reset								
Bit	23	22	21	20	19	18	17	16
Access								
Reset								
Bit	15	14	13	12	11	10	9	8
Access	TXDATA[15:8]							
Reset	R/W	R/W	R/W	R/W	R/W	R/W	R/W	R/W
Reset	0	0	0	0	0	0	0	0
Bit	7	6	5	4	3	2	1	0
Access	TXDATA[7:0]							
Reset	R/W	R/W	R/W	R/W	R/W	R/W	R/W	R/W
Reset	0	0	0	0	0	0	0	0

#### Bits 15:0 – TXDATA[15:0] Transmit Data

This register is a mirror of:

- USART Transmit Holding Register (FLEX\_US\_THR) if FLEX\_MR.OPMODE field equals 1
- SPI Transmit Data Register (FLEX\_SPI\_TDR) if FLEX\_MR.OPMODE field equals 2
- TWI Transmit Holding Register (FLEX\_TWI\_THR) if FLEX\_MR.OPMODE field equals 3

### 37.10.4 USART Control Register

**Name:** FLEX\_US\_CR

**Offset:** 0x200

**Reset:** -

**Property:** Write-only

Bit	31	30	29	28	27	26	25	24
	FIFODIS	FIFOEN		REQCLR		TXFLCLR	RXFCLR	TXFCLR
Access	W	W		W		W	W	W
Reset	-	-		-		-	-	-
Bit	23	22	21	20	19	18	17	16
					RTSDIS	RTSEN		
Access					W	W		
Reset					-	-		
Bit	15	14	13	12	11	10	9	8
	RETTO			SENDA	STTTO	STPBRK	STTBRK	RSTSTA
Access	W			W	W	W	W	W
Reset	-			-	-	-	-	-
Bit	7	6	5	4	3	2	1	0
	TXDIS	TXEN	RXDIS	RXEN	RSTTX	RSTRX		
Access	W	W	W	W	W	W		
Reset	-	-	-	-	-	-		

#### Bit 31 – FIFODIS FIFO Disable

Value	Description
0	No effect.
1	Disables the Transmit and Receive FIFOs.

#### Bit 30 – FIFOEN FIFO Enable

Value	Description
0	No effect.
1	Enables the Transmit and Receive FIFOs.

#### Bit 28 – REQCLR Request to Clear the Comparison Trigger

Value	Description
0	No effect.
1	Restarts the comparison trigger to enable FLEX_US_RHR loading.

#### Bit 26 – TXFLCLR Transmit FIFO Lock CLEAR

Value	Description
0	No effect.
1	Clears the Transmit FIFO Lock.

#### Bit 25 – RXFCLR Receive FIFO Clear

Value	Description
0	No effect.
1	Empties the Receive FIFO.

#### Bit 24 – TXFCLR Transmit FIFO Clear

Value	Description
0	No effect.
1	Empties the Transmit FIFO.

**Bit 19 – RTSDIS** Request to Send Disable

Value	Description
0	No effect.
1	Drives the RTS pin to 0 if FLEX_US_MR.USART_MODE field = 2, else drives the RTS pin to 1 if FLEX_US_MR.USART_MODE field = 0.

**Bit 18 – RTSEN** Request to Send Enable

Value	Description
0	No effect.
1	Drives the RTS pin to 1 if FLEX_US_MR.USART_MODE field = 2, else drives the RTS pin to 0 if FLEX_US_MR.USART_MODE field = 0.

**Bit 15 – RETTO** Start Timeout Immediately

Value	Description
0	No effect
1	Immediately restarts timeout period.

**Bit 12 – SENDA** Send Address

Value	Description
0	No effect.
1	In Multidrop mode only, the next character written to FLEX_US_THR is sent with the address bit set.

**Bit 11 – STTTO** Clear TIMEOUT Flag and Start Timeout After Next Character Received

Value	Description
0	No effect.
1	Starts waiting for a character before clocking the timeout counter. Immediately disables a timeout period in progress. Resets the FLEX_US_CSR.TIMEOUT status bit.

**Bit 10 – STPBRK** Stop Break

Value	Description
0	No effect.
1	Stops transmission of the break after a minimum of one character length and transmits a high level during 12-bit periods. No effect if no break is being transmitted.

**Bit 9 – STTBRK** Start Break

Value	Description
0	No effect.
1	Starts transmission of a break after the characters present in FLEX_US_THR and the Transmit Shift Register have been transmitted. No effect if a break is already being transmitted.

**Bit 8 – RSTSTA** Reset Status Bits

Value	Description
0	No effect.
1	Resets the PARE, FRAME, OVRE, MANE, CMPand RXBRK in FLEX_US_CSR status bits, as well as the TXFEF, TXFFF, TXFTHF, RXFEF, RXFFF, RXFTHF, TXFPTEF, RXFPTEF in FLEX_US_FESR status bits.

**Bit 7 – TXDIS** Transmitter Disable

Value	Description
0	No effect.
1	Disables the transmitter.

**Bit 6 – TXEN** Transmitter Enable

Value	Description
0	No effect.

Value	Description
1	Enables the transmitter if TXDIS is 0.

**Bit 5 – RXDIS** Receiver Disable

Value	Description
0	No effect.
1	Disables the receiver.

**Bit 4 – RXEN** Receiver Enable

Value	Description
0	No effect.
1	Enables the receiver, if RXDIS is 0.

**Bit 3 – RSTTX** Reset Transmitter

Value	Description
0	No effect.
1	Resets the transmitter.

**Bit 2 – RSTRX** Reset Receiver

Value	Description
0	No effect.
1	Resets the receiver.

### 37.10.5 USART Mode Register

**Name:** FLEX\_US\_MR  
**Offset:** 0x204  
**Reset:** 0xC0000000  
**Property:** Read/Write

This register can only be written if the WPEN bit is cleared in the [USART Write Protection Mode Register](#).

Bit	31	30	29	28	27	26	25	24
	ONEBIT	MODSYNC	MAN	FILTER				
Access	R/W	R/W	R/W	R/W				
Reset	-	-	-	-				
Bit	23	22	21	20	19	18	17	16
		VAR_SYNC			OVER	CLKO	MODE9	
Access		R/W			R/W	R/W	R/W	
Reset		-			-	-	-	
Bit	15	14	13	12	11	10	9	8
	CHMODE[1:0]		NBSTOP[1:0]		PAR[2:0]			SYNC
Access	R/W	R/W	R/W	R/W	R/W	R/W	R/W	R/W
Reset	-	-	-	-	-	-	-	-
Bit	7	6	5	4	3	2	1	0
	CHRL[1:0]		USCLKS[1:0]		USART_MODE[3:0]			
Access	R/W	R/W	R/W	R/W	R/W	R/W	R/W	R/W
Reset	-	-	-	-	-	-	-	-

#### Bit 31 – ONEBIT Start Frame Delimiter Selector

Value	Description
0	Start frame delimiter is COMMAND or DATA SYNC.
1	Start frame delimiter is one bit.

#### Bit 30 – MODSYNC Manchester Synchronization Mode

Value	Description
0	The Manchester start bit is a 0 to 1 transition
1	The Manchester start bit is a 1 to 0 transition.

#### Bit 29 – MAN Manchester Encoder/Decoder Enable

Value	Description
0	Manchester encoder/decoder are disabled.
1	Manchester encoder/decoder are enabled.

#### Bit 28 – FILTER Receive Line Filter

Value	Description
0	The USART does not filter the receive line.
1	The USART filters the receive line using a three-sample filter (1/16-bit clock) (2 over 3 majority).

#### Bit 22 – VAR\_SYNC Variable Synchronization of Command/Data Sync Start Frame Delimiter

Value	Description
0	User defined configuration of command or data sync field depending on MODSYNC value.
1	The sync field is updated when a character is written into FLEX_US_THR.

**Bit 19 – OVER** Oversampling Mode

Value	Description
0	16x Oversampling.
1	8x Oversampling.

**Bit 18 – CLKO** Clock Output Select

Value	Description
0	The USART does not drive the SCK pin (Synchronous Slave mode or Asynchronous mode with external baud rate clock source).
1	The USART drives the SCK pin if USCLKS does not select the external clock SCK (USART Synchronous Master mode).

**Bit 17 – MODE9** 9-bit Character Length

Value	Description
0	CHRL defines character length.
1	9-bit character length.

**Bits 15:14 – CHMODE[1:0]** Channel Mode

Value	Name	Description
0	NORMAL	Normal mode
1	AUTOMATIC	Automatic Echo. Receiver input is connected to the TXD pin.
2	LOCAL_LOOPBACK	Local Loopback. Transmitter output is connected to the Receiver Input.
3	REMOTE_LOOPBACK	Remote Loopback. RXD pin is internally connected to the TXD pin.

**Bits 13:12 – NBSTOP[1:0]** Number of Stop Bits

Value	Name	Description
0	1_BIT	1 stop bit
1	1_5_BIT	1.5 stop bit (SYNC = 0) or reserved (SYNC = 1)
2	2_BIT	2 stop bits

**Bits 11:9 – PAR[2:0]** Parity Type

Value	Name	Description
0	EVEN	Even parity
1	ODD	Odd parity
2	SPACE	Parity forced to 0 (Space)
3	MARK	Parity forced to 1 (Mark)
4	NO	No parity
6	MULTIDROP	Multidrop mode

**Bit 8 – SYNC** Synchronous Mode Select

Value	Description
0	USART operates in Asynchronous mode (UART).
1	USART operates in Synchronous mode.

**Bits 7:6 – CHRL[1:0]** Character Length

Value	Name	Description
0	5_BIT	Character length is 5 bits
1	6_BIT	Character length is 6 bits
2	7_BIT	Character length is 7 bits
3	8_BIT	Character length is 8 bits

**Bits 5:4 – USCLKS[1:0]** Clock Selection

Value	Name	Description
0	MCK	Peripheral clock is selected
1	DIV	Peripheral clock divided (DIV = 8) is selected
2	GCLK	PMC generic clock is selected. If the SCK pin is driven (CLKO = 1), the CD field must be greater than 1.
3	SCK	External pin SCK is selected

**Bits 3:0 – USART\_MODE[3:0]** USART Mode of Operation

Values not listed in the table below should be considered 'reserved'.

Value	Name	Description
0x0	NORMAL	Normal mode
0x1	RS485	RS485
0x2	HW_HANDSHAKING	Hardware handshaking



### 37.10.6 USART Interrupt Enable Register

**Name:** FLEX\_US\_IER  
**Offset:** 0x208  
**Reset:** -  
**Property:** Write-only

The following configuration values are valid for all listed bit names of this register:

0: No effect

1: Enables the corresponding interrupt.

Bit	31	30	29	28	27	26	25	24
								MANE
Access								W
Reset								-
Bit	23	22	21	20	19	18	17	16
		CMP			CTSIC			
Access		W			W			
Reset		-			-			
Bit	15	14	13	12	11	10	9	8
							TXEMPTY	TIMEOUT
Access							W	W
Reset							-	-
Bit	7	6	5	4	3	2	1	0
	PARE	FRAME	OVRE			RXBRK	TXRDY	RXRDY
Access	W	W	W			W	W	W
Reset	-	-	-			-	-	-

**Bit 24 - MANE** Manchester Error Interrupt Enable

**Bit 22 - CMP** Comparison Interrupt Enable

**Bit 19 - CTSIC** Clear to Send Input Change Interrupt Enable

**Bit 9 - TXEMPTY** TXEMPTY Interrupt Enable

**Bit 8 - TIMEOUT** Timeout Interrupt Enable

**Bit 7 - PARE** Parity Error Interrupt Enable

**Bit 6 - FRAME** Framing Error Interrupt Enable

**Bit 5 - OVRE** Overrun Error Interrupt Enable

**Bit 2 - RXBRK** Receiver Break Interrupt Enable

**Bit 1 - TXRDY** TXRDY Interrupt Enable

**Bit 0 - RXRDY** RXRDY Interrupt Enable

### 37.10.7 USART Interrupt Disable Register

**Name:** FLEX\_US\_IDR  
**Offset:** 0x20C  
**Reset:** -  
**Property:** Write-only

The following configuration values are valid for all listed bit names of this register:

0: No effect

1: Disables the corresponding interrupt.

Bit	31	30	29	28	27	26	25	24
								MANE
Access								W
Reset								-
Bit	23	22	21	20	19	18	17	16
		CMP			CTSIC			
Access		W			W			
Reset		-			-			
Bit	15	14	13	12	11	10	9	8
							TXEMPTY	TIMEOUT
Access							W	W
Reset							-	-
Bit	7	6	5	4	3	2	1	0
	PARE	FRAME	OVRE			RXBRK	TXRDY	RXRDY
Access	W	W	W			W	W	W
Reset	-	-	-			-	-	-

**Bit 24 - MANE** Manchester Error Interrupt Disable

**Bit 22 - CMP** Comparison Interrupt Disable

**Bit 19 - CTSIC** Clear to Send Input Change Interrupt Disable

**Bit 9 - TXEMPTY** TXEMPTY Interrupt Disable

**Bit 8 - TIMEOUT** Timeout Interrupt Disable

**Bit 7 - PARE** Parity Error Interrupt Disable

**Bit 6 - FRAME** Framing Error Interrupt Disable

**Bit 5 - OVRE** Overrun Error Interrupt Disable

**Bit 2 - RXBRK** Receiver Break Interrupt Disable

**Bit 1 - TXRDY** TXRDY Interrupt Disable

**Bit 0 - RXRDY** RXRDY Interrupt Disable

### 37.10.8 USART Interrupt Mask Register

**Name:** FLEX\_US\_IMR  
**Offset:** 0x210  
**Reset:** 0x00000000  
**Property:** Read-only

The following configuration values are valid for all listed bit names of this register:

0: The corresponding interrupt is not enabled.

1: The corresponding interrupt is enabled.

Bit	31	30	29	28	27	26	25	24
								MANE
Access								R
Reset								0
Bit	23	22	21	20	19	18	17	16
		CMP			CTSIC			
Access		R			R			
Reset		0			0			
Bit	15	14	13	12	11	10	9	8
							TXEMPTY	TIMEOUT
Access							R	R
Reset							0	0
Bit	7	6	5	4	3	2	1	0
	PARE	FRAME	OVRE			RXBRK	TXRDY	RXRDY
Access	R	R	R			R	R	R
Reset	0	0	0			0	0	0

**Bit 24 - MANE** Manchester Error Interrupt Mask

**Bit 22 - CMP** Comparison Interrupt Mask

**Bit 19 - CTSIC** Clear to Send Input Change Interrupt Mask

**Bit 9 - TXEMPTY** TXEMPTY Interrupt Mask

**Bit 8 - TIMEOUT** Timeout Interrupt Mask

**Bit 7 - PARE** Parity Error Interrupt Mask

**Bit 6 - FRAME** Framing Error Interrupt Mask

**Bit 5 - OVRE** Overrun Error Interrupt Mask

**Bit 2 - RXBRK** Receiver Break Interrupt Mask

**Bit 1 - TXRDY** TXRDY Interrupt Mask

**Bit 0 - RXRDY** RXRDY Interrupt Mask

### 37.10.9 USART Channel Status Register

**Name:** FLEX\_US\_CSR  
**Offset:** 0x214  
**Reset:** 0x00800000  
**Property:** Read-only

If enabled in the SFR module (default is disabled), a debugger read access does not clear the flag CTSIC.

Bit	31	30	29	28	27	26	25	24
								MANE
Access								R
Reset								-
Bit	23	22	21	20	19	18	17	16
	CTS	CMP			CTSIC			
Access	R	R			R			
Reset	-	-			-			
Bit	15	14	13	12	11	10	9	8
							TXEMPTY	TIMEOUT
Access							R	R
Reset							-	-
Bit	7	6	5	4	3	2	1	0
	PARE	FRAME	OVRE			RXBRK	TXRDY	RXRDY
Access	R	R	R			R	R	R
Reset	-	-	-			-	-	-

#### Bit 24 – MANE Manchester Error

Value	Description
0	No Manchester error has been detected since the last RSTSTA command was issued.
1	At least one Manchester error has been detected since the last RSTSTA command was issued.

#### Bit 23 – CTS Image of CTS Input

Value	Description
0	CTS input is driven low.
1	CTS input is driven high.

#### Bit 22 – CMP Comparison Status

Value	Description
0	No received character matched the comparison criteria programmed in VAL1, VAL2 fields and CMPPAR bit in since the last RSTSTA command was issued.
1	A received character matched the comparison criteria since the last RSTSTA command was issued.

#### Bit 19 – CTSIC Clear to Send Input Change Flag

Value	Description
0	No input change has been detected on the CTS pin since the last read of FLEX_US_CSR.
1	At least one input change has been detected on the CTS pin since the last read of FLEX_US_CSR.

#### Bit 9 – TXEMPTY Transmitter Empty (cleared by writing FLEX\_US\_THR)

Value	Description
0	There are characters in either FLEX_US_THR or the Transmit Shift Register, or the transmitter is disabled.
1	There are no characters in FLEX_US_THR, nor in the Transmit Shift Register.

**Bit 8 – TIMEOUT** Receiver Timeout

Value	Description
0	There has not been a timeout since the last Start Timeout command (FLEX_US_CR.STTTO) or the Timeout Register is 0.
1	There has been a timeout since the last Start Timeout command (FLEX_US_CR.STTTO).

**Bit 7 – PARE** Parity Error

Value	Description
0	No parity error has been detected since the last RSTSTA command was issued.
1	At least one parity error has been detected since the last RSTSTA command was issued.

**Bit 6 – FRAME** Framing Error

Value	Description
0	No stop bit has been detected low since the last RSTSTA command was issued.
1	At least one stop bit has been detected low since the last RSTSTA command was issued.

**Bit 5 – OVRE** Overrun Error

Value	Description
0	No overrun error has occurred since the last RSTSTA command was issued.
1	At least one overrun error has occurred since the last RSTSTA command was issued.

**Bit 2 – RXBRK** Break Received/End of Break

Value	Description
0	No break received or end of break detected since the last RSTSTA command was issued.
1	Break received or end of break detected since the last RSTSTA command was issued.

**Bit 1 – TXRDY** Transmitter Ready (cleared by writing FLEX\_US\_THR)

When FIFOs are disabled:

0: A character in FLEX\_US\_THR is waiting to be transferred to the Transmit Shift Register, or an STTBRK command has been requested, or the transmitter is disabled. As soon as the transmitter is enabled, TXRDY becomes 1.

1: There is no character in FLEX\_US\_THR.

When FIFOs are enabled:

0: Transmit FIFO is full and cannot accept more data.

1: Transmit FIFO is not full; one or more data can be written according to TXRDYM field configuration.

TXRDY behavior with FIFO enabled is illustrated in [37.7.7.5. TXEMPTY, TXRDY and RXRDY Behavior](#).

**Bit 0 – RXRDY** Receiver Ready (cleared by reading FLEX\_US\_RHR)

When FIFOs are disabled:

0: No complete character has been received since the last read of FLEX\_US\_RHR or the receiver is disabled. If characters were received when the receiver was disabled, RXRDY changes to 1 when the receiver is enabled.

1: At least one complete character has been received and FLEX\_US\_RHR has not yet been read.

When FIFOs are enabled:

0: Receive FIFO is empty; no data to read

1: At least one unread data is in the Receive FIFO

RXRDY behavior with FIFO enabled is illustrated in [37.7.7.5. TXEMPTY, TXRDY and RXRDY Behavior](#).

### 37.10.10 USART Receive Holding Register

**Name:** FLEX\_US\_RHR  
**Offset:** 0x218  
**Reset:** 0x00000000  
**Property:** Read-only

If FIFO is enabled (FLEX\_US\_CR.FIFOEN bit) and FLEX\_US\_FMR.RXRDYM = 0, see [37.7.7.6. USART Single Data Mode](#) for details.

If enabled in the SFR module (default is disabled), a debugger read access on FLEX\_US\_RHR does not clear the FLEX\_US\_CSR.RXRDY flag.

Bit	31	30	29	28	27	26	25	24
Access								
Reset								
Bit	23	22	21	20	19	18	17	16
Access								
Reset								
Bit	15	14	13	12	11	10	9	8
Access	R							R
Reset	0							0
Bit	7	6	5	4	3	2	1	0
Access	R	R	R	R	R	R	R	R
Reset	0	0	0	0	0	0	0	0

#### Bit 15 – RXSYNH Received Sync

Value	Description
0	Last character received is a data.
1	Last character received is a command.

#### Bits 8:0 – RXCHR[8:0] Received Character

Last character received if RXRDY is set.

### 37.10.11 USART Receive Holding Register (FIFO Multi Data)

**Name:** FLEX\_US\_RHR (FIFO\_MULTI\_DATA)

**Offset:** 0x218

**Reset:** 0x00000000

**Property:** Read-only

If FIFO is enabled (FLEX\_US\_CR.FIFOEN bit) and FLEX\_US\_FMR.RXRDYM > 0, see [37.7.7.7. USART Multiple Data Mode](#) for details.

If enabled in the SFR module (default is disabled), a debugger read access on FLEX\_US\_RHR does not modify the Receive FIFO status.

Bit	31	30	29	28	27	26	25	24
	RXCHR3[7:0]							
Access	R	R	R	R	R	R	R	R
Reset	0	0	0	0	0	0	0	0
Bit	23	22	21	20	19	18	17	16
	RXCHR2[7:0]							
Access	R	R	R	R	R	R	R	R
Reset	0	0	0	0	0	0	0	0
Bit	15	14	13	12	11	10	9	8
	RXCHR1[7:0]							
Access	R	R	R	R	R	R	R	R
Reset	0	0	0	0	0	0	0	0
Bit	7	6	5	4	3	2	1	0
	RXCHR0[7:0]							
Access	R	R	R	R	R	R	R	R
Reset	0	0	0	0	0	0	0	0

**Bits 0:7, 8:15, 16:23, 24:31 – RXCHR<sub>x</sub>** Received Character

First unread character in the Receive FIFO if RXRDY is set.

### 37.10.12 USART Transmit Holding Register

**Name:** FLEX\_US\_THR  
**Offset:** 0x21C  
**Reset:** -  
**Property:** Write-only

If FIFO is enabled (FLEX\_US\_CR.FIFOEN bit) and FLEX\_US\_FMR.TXRDY = 0, see [37.7.7.6. USART Single Data Mode](#) for details.

Bit	31	30	29	28	27	26	25	24
Access								
Reset								
Bit	23	22	21	20	19	18	17	16
Access								
Reset								
Bit	15	14	13	12	11	10	9	8
Access	W							W
Reset	-							-
Bit	7	6	5	4	3	2	1	0
Access	W	W	W	W	W	W	W	W
Reset	-	-	-	-	-	-	-	-

#### Bit 15 – TXSYNH Sync Field to be Transmitted

Value	Description
0	The next character sent is encoded as a data. Start frame delimiter is DATA SYNC.
1	The next character sent is encoded as a command. Start frame delimiter is COMMAND SYNC.

#### Bits 8:0 – TXCHR[8:0] Character to be Transmitted

The next character to be transmitted after the current character if TXRDY is not set.



**37.10.13 USART Transmit Holding Register (FIFO Multi Data)****Name:** FLEX\_US\_THR (FIFO\_MULTI\_DATA)**Offset:** 0x21C**Reset:** -**Property:** Write-only

If FIFO is enabled (FLEX\_US\_CR.FIFOEN bit) and FLEX\_US\_FMR.TXRDY > 0, see [37.7.7.7. USART Multiple Data Mode](#) for details.

Bit	31	30	29	28	27	26	25	24
	TXCHR3[7:0]							
Access	W	W	W	W	W	W	W	W
Reset	-	-	-	-	-	-	-	-
Bit	23	22	21	20	19	18	17	16
	TXCHR2[7:0]							
Access	W	W	W	W	W	W	W	W
Reset	-	-	-	-	-	-	-	-
Bit	15	14	13	12	11	10	9	8
	TXCHR1[7:0]							
Access	W	W	W	W	W	W	W	W
Reset	-	-	-	-	-	-	-	-
Bit	7	6	5	4	3	2	1	0
	TXCHR0[7:0]							
Access	W	W	W	W	W	W	W	W
Reset	-	-	-	-	-	-	-	-

**Bits 0:7, 8:15, 16:23, 24:31 - TXCHR<sub>x</sub>** Character to be Transmitted  
Next character to be transmitted.

### 37.10.14 USART Baud Rate Generator Register

**Name:** FLEX\_US\_BRGR  
**Offset:** 0x220  
**Reset:** 0x00010101  
**Property:** Read/Write

This register can only be written if the WPEN bit is cleared in the [USART Write Protection Mode Register](#).

Bit	31	30	29	28	27	26	25	24
Access								
Reset								
Bit	23	22	21	20	19	18	17	16
Access							FP[2:0]	
Reset						R/W	R/W	R/W
						0	0	0
Bit	15	14	13	12	11	10	9	8
Access	CD[15:8]							
Reset	R/W	R/W	R/W	R/W	R/W	R/W	R/W	R/W
	0	0	0	0	0	0	0	0
Bit	7	6	5	4	3	2	1	0
Access	CD[7:0]							
Reset	R/W	R/W	R/W	R/W	R/W	R/W	R/W	R/W
	0	0	0	0	0	0	0	0

#### Bits 18:16 – FP[2:0] Fractional Part



When the value of field FP is greater than 0, the SCK (oversampling clock) generates nonconstant duty cycles. The SCK high duration is increased by “selected clock” period from time to time. The duty cycle depends on the value of the CD field.

Value	Description
0	Fractional divider is disabled.
1–7	Baud rate resolution, defined by $FP \times 1/8$ .

#### Bits 15:0 – CD[15:0] Clock Divider

CD	SYNC = 0	OVER = 0	OVER = 1	SYNC = 1
0	Baud Rate Clock Disabled			
1 to 65535	$CD = \text{Selected Clock} / (16 \times \text{Baud Rate})$	$CD = \text{Selected Clock} / (8 \times \text{Baud Rate})$		$CD = \text{Selected Clock} / \text{Baud Rate}$

### 37.10.15 USART Receiver Timeout Register

**Name:** FLEX\_US\_RTOR  
**Offset:** 0x224  
**Reset:** 0x00000000  
**Property:** Read/Write

This register can only be written if the WPEN bit is cleared in the [USART Write Protection Mode Register](#).

Bit	31	30	29	28	27	26	25	24
Access								
Reset								
Bit	23	22	21	20	19	18	17	16
Access								
Reset								
Bit	15	14	13	12	11	10	9	8
Access								
Reset								
Bit	7	6	5	4	3	2	1	0
Access	TO[7:0]							
Reset	R/W	R/W	R/W	R/W	R/W	R/W	R/W	R/W
	0	0	0	0	0	0	0	0

#### Bits 7:0 – TO[7:0] Timeout Value

The TO field size is limited to 8 bits if the ISO7816 logic is not implemented on some instances of FLEXCOM. The ISO7816 logic is implemented if it is possible to write FLEX\_US\_MR.MAX\_ITERATIONS=1 (a read operation must be performed after the write operation to check that MAX\_ITERATIONS equals 1).

Value	Description
0	The receiver timeout is disabled.
1–65535	The receiver timeout is enabled and the timeout delay is TO × bit period.

### 37.10.16 USART Transmitter Timeguard Register

**Name:** FLEX\_US\_TTGR  
**Offset:** 0x228  
**Reset:** 0x00000000  
**Property:** Read/Write

This register can only be written if the WPEN bit is cleared in the [USART Write Protection Mode Register](#).

Bit	31	30	29	28	27	26	25	24
Access								
Reset								
Bit	23	22	21	20	19	18	17	16
Access								
Reset								
Bit	15	14	13	12	11	10	9	8
Access								
Reset								
Bit	7	6	5	4	3	2	1	0
Access	TG[7:0]							
Reset	0	0	0	0	0	0	0	0

#### Bits 7:0 – TG[7:0] Timeguard Value

Value	Description
0	The transmitter timeguard is disabled.
1–255	The transmitter timeguard is enabled and TG is timeguard delay / bit period.

### 37.10.17 USART Manchester Configuration Register

**Name:** FLEX\_US\_MAN  
**Offset:** 0x250  
**Reset:** 0xB0011004  
**Property:** Read/Write

This register can only be written if the WPEN bit is cleared in the [USART Write Protection Mode Register](#).

Bit	31	30	29	28	27	26	25	24
	RXIDLEV	DRIFT	ONE	RX_MPOL			RX_PP[1:0]	
Access	R/W	R/W	R/W	R/W			R/W	R/W
Reset	1	0	1	1			0	0
Bit	23	22	21	20	19	18	17	16
					RX_PL[3:0]			
Access					R/W	R/W	R/W	R/W
Reset					0	0	0	1
Bit	15	14	13	12	11	10	9	8
				TX_MPOL			TX_PP[1:0]	
Access				R/W			R/W	R/W
Reset				1			0	0
Bit	7	6	5	4	3	2	1	0
					TX_PL[3:0]			
Access					R/W	R/W	R/W	R/W
Reset					0	1	0	0

#### Bit 31 – RXIDLEV Receiver Idle Value

Value	Description
0	Receiver line idle value is 0.
1	Receiver line idle value is 1.

#### Bit 30 – DRIFT Drift Compensation

Value	Description
0	The USART cannot recover from an important clock drift.
1	The USART can recover from clock drift. The 16X Clock mode must be enabled.

#### Bit 29 – ONE Must Be Set to 1

Bit 29 must always be set to 1 when programming the FLEX\_US\_MAN register.

#### Bit 28 – RX\_MPOL Receiver Manchester Polarity

Value	Description
0	Logic zero is coded as a zero-to-one transition, Logic one is coded as a one-to-zero transition.
1	Logic zero is coded as a one-to-zero transition, Logic one is coded as a zero-to-one transition.

#### Bits 25:24 – RX\_PP[1:0] Receiver Preamble Pattern detected

The following values assume that RX\_MPOL field is not set:

Value	Name	Description
0	ALL_ONE	The preamble is composed of '1's.
1	ALL_ZERO	The preamble is composed of '0's.
2	ZERO_ONE	The preamble is composed of '01's.
3	ONE_ZERO	The preamble is composed of '10's.

**Bits 19:16 – RX\_PL[3:0] Receiver Preamble Length**

Value	Description
0	The receiver preamble pattern detection is disabled.
1–15	The detected preamble length is $RX\_PL \times \text{Bit Period}$ .

**Bit 12 – TX\_MPOL Transmitter Manchester Polarity**

Value	Description
0	Logic zero is coded as a zero-to-one transition, Logic one is coded as a one-to-zero transition.
1	Logic zero is coded as a one-to-zero transition, Logic one is coded as a zero-to-one transition.

**Bits 9:8 – TX\_PP[1:0] Transmitter Preamble Pattern**

The following values assume that TX\_MPOL field is not set:

Value	Name	Description
0	ALL_ONE	The preamble is composed of '1's.
1	ALL_ZERO	The preamble is composed of '0's.
2	ZERO_ONE	The preamble is composed of '01's.
3	ONE_ZERO	The preamble is composed of '10's.

**Bits 3:0 – TX\_PL[3:0] Transmitter Preamble Length**

Value	Description
0	The transmitter preamble pattern generation is disabled.
1–15	The preamble length is $TX\_PL \times \text{Bit Period}$ .

### 37.10.18 USART Comparison Register

**Name:** FLEX\_US\_CMPR  
**Offset:** 0x290  
**Reset:** 0x00000000  
**Property:** Read/Write

This register can only be written if the WPEN bit is cleared in the [USART Write Protection Mode Register](#).

Bit	31	30	29	28	27	26	25	24
								VAL2[8]
Access								R/W
Reset								0
Bit	23	22	21	20	19	18	17	16
	VAL2[7:0]							
Access	R/W	R/W	R/W	R/W	R/W	R/W	R/W	R/W
Reset	0	0	0	0	0	0	0	0
Bit	15	14	13	12	11	10	9	8
		CMPPAR		CMPMODE				VAL1[8]
Access		R/W		R/W				R/W
Reset		0		0				0
Bit	7	6	5	4	3	2	1	0
	VAL1[7:0]							
Access	R/W	R/W	R/W	R/W	R/W	R/W	R/W	R/W
Reset	0	0	0	0	0	0	0	0

#### Bits 24:16 – VAL2[8:0] Second Comparison Value for Received Character

Value	Description
0–511	The received character must be lower than or equal to the value of VAL2 and higher than or equal to VAL1 to set the FLEX_US_CSR.CMP flag.

#### Bit 14 – CMPPAR Compare Parity

Value	Description
0	The parity is not checked and a bad parity cannot prevent from waking up the system.
1	The parity is checked and a matching condition on data can be cancelled by an error on parity bit, so no wakeup is performed.

#### Bit 12 – CMPMODE Comparison Mode

Value	Name	Description
0	FLAG_ONLY	Any character is received and comparison function drives CMP flag.
1	START_CONDITION	Comparison condition must be met to start reception.
2	FILTER	Comparison must be met to receive the current data only

#### Bits 8:0 – VAL1[8:0] First Comparison Value for Received Character

Value	Description
0–511	The received character must be higher than or equal to the value of VAL1 and lower than or equal to VAL2 to set the FLEX_US_CSR.CMP flag.

### 37.10.19 USART FIFO Mode Register

**Name:** FLEX\_US\_FMR  
**Offset:** 0x2A0  
**Reset:** 0x00000000  
**Property:** Read/Write

This register reads '0' if the FIFO is disabled (see FLEX\_US\_CR to enable/disable the internal FIFO).

Bit	31	30	29	28	27	26	25	24
			RXFTHRES2[5:0]					
Access			R/W	R/W	R/W	R/W	R/W	R/W
Reset			0	0	0	0	0	0
Bit	23	22	21	20	19	18	17	16
			RXFTHRES[5:0]					
Access			R/W	R/W	R/W	R/W	R/W	R/W
Reset			0	0	0	0	0	0
Bit	15	14	13	12	11	10	9	8
			TXFTHRES[5:0]					
Access			R/W	R/W	R/W	R/W	R/W	R/W
Reset			0	0	0	0	0	0
Bit	7	6	5	4	3	2	1	0
	FRTSC		RXRDYM[1:0]				TXRDYM[1:0]	
Access	R/W		R/W	R/W			R/W	R/W
Reset	0		0	0			0	0

#### Bits 29:24 – RXFTHRES2[5:0] Receive FIFO Threshold 2

Value	Description
0–16	Defines the Receive FIFO threshold 2 value (number of data). The FLEX_US_FESR.RXFTHF2 flag will be set when Receive FIFO goes from “above” threshold state to “equal to or below” threshold state.

#### Bits 21:16 – RXFTHRES[5:0] Receive FIFO Threshold

Value	Description
0–16	Defines the Receive FIFO threshold value (number of data). The FLEX_US_FESR.RXFTHF flag will be set when Receive FIFO goes from “below” threshold state to “equal to or above” threshold state.

#### Bits 13:8 – TXFTHRES[5:0] Transmit FIFO Threshold

Value	Description
0–16	Defines the Transmit FIFO threshold value (number of data). The FLEX_US_FESR.TXFTHF flag will be set when Transmit FIFO goes from “above” threshold state to “equal to or below” threshold state.

#### Bit 7 – FRTSC FIFO RTS Pin Control enable (Hardware Handshaking mode only)

See [Hardware Handshaking](#) for details.

Value	Description
0	RTS pin is not controlled by Receive FIFO thresholds.
1	RTS pin is controlled by Receive FIFO thresholds.

#### Bits 5:4 – RXRDYM[1:0] Receiver Ready Mode

If FIFOs are enabled, the FLEX\_US\_CSR.RXRDY flag behaves as follows.

Value	Name	Description
0	ONE_DATA	RXRDY will be at level '1' when at least one unread data is in the Receive FIFO.
1	TWO_DATA	RXRDY will be at level '1' when at least two unread data are in the Receive FIFO.
2	FOUR_DATA	RXRDY will be at level '1' when at least four unread data are in the Receive FIFO.



**Bits 1:0 – TXRDYM[1:0]** Transmitter Ready Mode

If FIFOs are enabled, the FLEX\_US\_CSR.TXRDY flag behaves as follows.

Value	Name	Description
0	ONE_DATA	TXRDY will be at level '1' when at least one data can be written in the Transmit FIFO
1	TWO_DATA	TXRDY will be at level '1' when at least two data can be written in the Transmit FIFO
2	FOUR_DATA	TXRDY will be at level '1' when at least four data can be written in the Transmit FIFO

### 37.10.20 USART FIFO Level Register

**Name:** FLEX\_US\_FLR  
**Offset:** 0x2A4  
**Reset:** 0x00000000  
**Property:** Read-only

This register reads '0' if the FIFO is disabled (see FLEX\_US\_CR to enable/disable the internal FIFO).

Bit	31	30	29	28	27	26	25	24
Access								
Reset								
Bit	23	22	21	20	19	18	17	16
Access			RXFL[5:0]					
Reset			R	R	R	R	R	R
Reset			0	0	0	0	0	0
Bit	15	14	13	12	11	10	9	8
Access								
Reset								
Bit	7	6	5	4	3	2	1	0
Access			TXFL[5:0]					
Reset			R	R	R	R	R	R
Reset			0	0	0	0	0	0

#### Bits 21:16 – RXFL[5:0] Receive FIFO Level

Value	Description
0	There is no unread data in the Receive FIFO.
1–16	Indicates the number of unread data in the Receive FIFO.

#### Bits 5:0 – TXFL[5:0] Transmit FIFO Level

Value	Description
0	There is no data in the Transmit FIFO.
1–16	Indicates the number of data in the Transmit FIFO.

## 37.10.21 USART FIFO Interrupt Enable Register

**Name:** FLEX\_US\_FIER  
**Offset:** 0x2A8  
**Reset:** -  
**Property:** Write-only

Bit	31	30	29	28	27	26	25	24
Access								
Reset								
Bit	23	22	21	20	19	18	17	16
Access								
Reset								
Bit	15	14	13	12	11	10	9	8
Access							RXFTHF2	
Reset							W	
Bit	7	6	5	4	3	2	1	0
Access	RXFPTEF	TXFPTEF	RXFTHF	RXFFF	RXFEEF	TXFTHF	TXFFF	TXFEF
Reset	W	W	W	W	W	W	W	W
Reset	-	-	-	-	-	-	-	-

**Bit 9 – RXFTHF2** RXFTHF2 Interrupt Enable

**Bit 7 – RXFPTEF** RXFPTEF Interrupt Enable

**Bit 6 – TXFPTEF** TXFPTEF Interrupt Enable

**Bit 5 – RXFTHF** RXFTHF Interrupt Enable

**Bit 4 – RXFFF** RXFFF Interrupt Enable

**Bit 3 – RXFEF** RXFEF Interrupt Enable

**Bit 2 – TXFTHF** TXFTHF Interrupt Enable

**Bit 1 – TXFFF** TXFFF Interrupt Enable

**Bit 0 – TXFEF** TXFEF Interrupt Enable

## 37.10.22 USART FIFO Interrupt Disable Register

**Name:** FLEX\_US\_FIDR  
**Offset:** 0x2AC  
**Reset:** -  
**Property:** Write-only

Bit	31	30	29	28	27	26	25	24
Access								
Reset								
Bit	23	22	21	20	19	18	17	16
Access								
Reset								
Bit	15	14	13	12	11	10	9	8
Access							RXFTHF2	
Reset							W	
Bit	7	6	5	4	3	2	1	0
Access	RXFPTEF	TXFPTEF	RXFTHF	RXFFF	RXFEEF	TXFTHF	TXFFF	TXFEF
Reset	W	W	W	W	W	W	W	W
Reset	-	-	-	-	-	-	-	-

**Bit 9 – RXFTHF2** RXFTHF2 Interrupt Disable

**Bit 7 – RXFPTEF** RXFPTEF Interrupt Disable

**Bit 6 – TXFPTEF** TXFPTEF Interrupt Disable

**Bit 5 – RXFTHF** RXFTHF Interrupt Disable

**Bit 4 – RXFFF** RXFFF Interrupt Disable

**Bit 3 – RXFEF** RXFEF Interrupt Disable

**Bit 2 – TXFTHF** TXFTHF Interrupt Disable

**Bit 1 – TXFFF** TXFFF Interrupt Disable

**Bit 0 – TXFEF** TXFEF Interrupt Disable

### 37.10.23 USART FIFO Interrupt Mask Register

**Name:** FLEX\_US\_FIMR  
**Offset:** 0x2B0  
**Reset:** 0x00000000  
**Property:** Read-only

This register reads '0' if the FIFO is disabled (see FLEX\_US\_CR to enable/disable the internal FIFO).

Bit	31	30	29	28	27	26	25	24
Access								
Reset								
Bit	23	22	21	20	19	18	17	16
Access								
Reset								
Bit	15	14	13	12	11	10	9	8
Access							RXFTHF2	
Reset							R	
							0	
Bit	7	6	5	4	3	2	1	0
Access	RXFPTEF	TXFPTEF	RXFTHF	RXFFF	RXFEF	TXFTHF	TXFFF	TXFEF
Reset	R	R	R	R	R	R	R	R
	0	0	0	0	0	0	0	0

**Bit 9 – RXFTHF2** RXFTHF2 Interrupt Mask

**Bit 7 – RXFPTEF** RXFPTEF Interrupt Mask

**Bit 6 – TXFPTEF** TXFPTEF Interrupt Mask

**Bit 5 – RXFTHF** RXFTHF Interrupt Mask

**Bit 4 – RXFFF** RXFFF Interrupt Mask

**Bit 3 – RXFEF** RXFEF Interrupt Mask

**Bit 2 – TXFTHF** TXFTHF Interrupt Mask

**Bit 1 – TXFFF** TXFFF Interrupt Mask

**Bit 0 – TXFEF** TXFEF Interrupt Mask

## 37.10.24 USART FIFO Event Status Register

**Name:** FLEX\_US\_FESR  
**Offset:** 0x2B4  
**Reset:** 0x00000000  
**Property:** Read-only

Bit	31	30	29	28	27	26	25	24
Access								
Reset								
Bit	23	22	21	20	19	18	17	16
Access								
Reset								
Bit	15	14	13	12	11	10	9	8
Access							RXFTHF2	TXFLOCK
Reset							0	0
Bit	7	6	5	4	3	2	1	0
Access	RXFPTEF	TXFPTEF	RXFTHF	RXFFF	RXFEF	TXFTHF	TXFFF	TXFEF
Reset	0	0	0	0	0	0	0	0

**Bit 9 – RXFTHF2** Receive FIFO Threshold Flag 2 (cleared by writing the FLEX\_US\_CR.RSTSTA bit)

Value	Description
0	Number of unread data in Receive FIFO is above RXFTHRES threshold.
1	Number of unread data in Receive FIFO has reached RXFTHRES2 threshold since the last RSTSTA command was issued.

**Bit 8 – TXFLOCK** Transmit FIFO Lock

Value	Description
0	The Transmit FIFO is not locked.
1	The Transmit FIFO is locked.

**Bit 7 – RXFPTEF** Receive FIFO Pointer Error Flag

See [37.7.7.8. FIFO Pointer Error](#) for details.

Value	Description
0	No Receive FIFO pointer occurred.
1	Receive FIFO pointer error occurred. Receiver must be reset.

**Bit 6 – TXFPTEF** Transmit FIFO Pointer Error Flag

See [37.7.7.8. FIFO Pointer Error](#) for details.

Value	Description
0	No Transmit FIFO pointer occurred.
1	Transmit FIFO pointer error occurred. Transceiver must be reset.

**Bit 5 – RXFTHF** Receive FIFO Threshold Flag (cleared by writing the FLEX\_US\_CR.RSTSTA bit)

Value	Description
0	Number of unread data in Receive FIFO is below RXFTHRES threshold.
1	Number of unread data in Receive FIFO has reached RXFTHRES threshold since the last RSTSTA command was issued.

**Bit 4 – RXFFF** Receive FIFO Full Flag (cleared by writing the FLEX\_US\_CR.RSTSTA bit)

Value	Description
0	Receive FIFO is not empty.
1	Receive FIFO has been filled since the last RSTSTA command was issued.

**Bit 3 – RXFEF** Receive FIFO Empty Flag (cleared by writing the FLEX\_US\_CR.RSTSTA bit)

Value	Description
0	Receive FIFO is not empty.
1	Receive FIFO has been emptied since the last RSTSTA command was issued.

**Bit 2 – TXFTHF** Transmit FIFO Threshold Flag (cleared by writing the FLEX\_US\_CR.RSTSTA bit)

Value	Description
0	Number of data in Transmit FIFO is above TXFTHRES threshold.
1	Number of data in Transmit FIFO has reached TXFTHRES threshold since the last RSTSTA command was issued.

**Bit 1 – TXFFF** Transmit FIFO Full Flag (cleared by writing the FLEX\_US\_CR.RSTSTA bit)

Value	Description
0	Transmit FIFO is not full.
1	Transmit FIFO has been filled since the last RSTSTA command was issued.

**Bit 0 – TXFEF** Transmit FIFO Empty Flag (cleared by writing the FLEX\_US\_CR.RSTSTA bit)

Value	Description
0	Transmit FIFO is not empty.
1	Transmit FIFO has been emptied since the last RSTSTA command was issued.

**37.10.25 USART Write Protection Mode Register**

**Name:** FLEX\_US\_WPMR  
**Offset:** 0x2E4  
**Reset:** 0x00000000  
**Property:** Read/Write

Bit	31	30	29	28	27	26	25	24
	WPKEY[23:16]							
Access	W	W	W	W	W	W	W	W
Reset	0	0	0	0	0	0	0	0
Bit	23	22	21	20	19	18	17	16
	WPKEY[15:8]							
Access	W	W	W	W	W	W	W	W
Reset	0	0	0	0	0	0	0	0
Bit	15	14	13	12	11	10	9	8
	WPKEY[7:0]							
Access	W	W	W	W	W	W	W	W
Reset	0	0	0	0	0	0	0	0
Bit	7	6	5	4	3	2	1	0
								WPEN
Access								R/W
Reset								0

**Bits 31:8 – WPKEY[23:0] Write Protection Key**

Value	Name	Description
0x555341	PASSWD	Writing any other value in this field aborts the write operation of bit WPEN. Always reads as 0.

**Bit 0 – WPEN Write Protection Enable**

See [USART Register Write Protection](#) for the list of registers that can be write-protected.

Value	Description
0	Disables the write protection on configuration registers if WPKEY corresponds to 0x555341 ("USA" in ASCII).
1	Enables the write protection on configuration registers if WPKEY corresponds to 0x555341 ("USA" in ASCII).



### 37.10.26 USART Write Protection Status Register

**Name:** FLEX\_US\_WPSR  
**Offset:** 0x2E8  
**Reset:** 0x00000000  
**Property:** Read-only

If enabled in the SFR module (default is disabled), a debugger read access on FLEX\_US\_WPSR does not clear the WPVS flag.

Bit	31	30	29	28	27	26	25	24
Access								
Reset								
Bit	23	22	21	20	19	18	17	16
Access	WPVSRC[15:8]							
Reset	0	0	0	0	0	0	0	0
Bit	15	14	13	12	11	10	9	8
Access	WPVSRC[7:0]							
Reset	0	0	0	0	0	0	0	0
Bit	7	6	5	4	3	2	1	0
Access								WPVS
Reset								0

#### Bits 23:8 – WPVSRC[15:0] Write Protection Violation Source

When WPVS = 1, WPVSRC indicates the register address offset at which a write access has been attempted.

#### Bit 0 – WPVS Write Protection Violation Status

Value	Description
0	No write protection violation has occurred since the last read of FLEX_US_WPSR.
1	A write protection violation has occurred since the last read of FLEX_US_WPSR. If this violation is an unauthorized attempt to write a protected register, the associated violation is reported into field WPVSRC.

### 37.10.27 SPI Control Register

**Name:** FLEX\_SPI\_CR  
**Offset:** 0x400  
**Reset:** -  
**Property:** Write-only

This register can only be written if the WPCREN bit is cleared in the [SPI Write Protection Mode Register](#).

Bit	31	30	29	28	27	26	25	24
	FIFODIS	FIFOEN						LASTXFER
Access	W	W						W
Reset	-	-						-
Bit	23	22	21	20	19	18	17	16
							RXFCLR	TXFCLR
Access							W	W
Reset							-	-
Bit	15	14	13	12	11	10	9	8
				REQCLR				
Access				W				
Reset				-				
Bit	7	6	5	4	3	2	1	0
	SWRST						SPIDIS	SPIEN
Access	W						W	W
Reset	-						-	-

#### Bit 31 – FIFODIS FIFO Disable

Value	Description
0	No effect.
1	Disables the Transmit and Receive FIFOs

#### Bit 30 – FIFOEN FIFO Enable

Value	Description
0	No effect.
1	Enables the Transmit and Receive FIFOs

#### Bit 24 – LASTXFER Last Transfer

See [Peripheral Selection](#) for more details.

Value	Description
0	No effect.
1	The current NPCS will be de-asserted after the character written in TD has been transferred. When CSAAT is set, the communication with the current serial peripheral can be closed by raising the corresponding NPCS line as soon as TD transfer is completed.

#### Bit 17 – RXFCLR Receive FIFO Clear

Value	Description
0	No effect.
1	Empties the Receive FIFO.

#### Bit 16 – TXFCLR Transmit FIFO Clear

Value	Description
0	No effect.

Value	Description
1	Empties the Transmit FIFO.

**Bit 12 – REQCLR** Request to Clear the Comparison Trigger

Value	Description
0	No effect.
1	Restarts the comparison trigger to enable FLEX_SPI_RDR.

**Bit 7 – SWRST** SPI Software Reset

The SPI is in Slave mode after software reset.

Value	Description
0	No effect.
1	Resets the SPI. A software-triggered hardware reset of the SPI interface is performed.

**Bit 1 – SPIDIS** SPI Disable

If a transfer is in progress when SPIDIS is set, the SPI completes the transmission of the shifter register and does not start any new transfer, even if the FLEX\_US\_THR is loaded.

All pins are set in Input mode after completion of the transmission in progress, if any.

Value	Description
0	No effect.
1	Disables the SPI.

**Bit 0 – SPIEN** SPI Enable

Value	Description
0	No effect.
1	Enables the SPI to transfer and receive data.

### 37.10.28 SPI Mode Register

**Name:** FLEX\_SPI\_MR  
**Offset:** 0x404  
**Reset:** 0x00000000  
**Property:** Read/Write

This register can only be written if the WPEN bit is cleared in the [SPI Write Protection Mode Register](#).

Bit	31	30	29	28	27	26	25	24
	DLYBCS[7:0]							
Access	R/W	R/W	R/W	R/W	R/W	R/W	R/W	R/W
Reset	0	0	0	0	0	0	0	0
Bit	23	22	21	20	19	18	17	16
	PCS[3:0]							
Access					R/W	R/W	R/W	R/W
Reset					0	0	0	0
Bit	15	14	13	12	11	10	9	8
	CMPMODE							
Access				R/W				
Reset				0				
Bit	7	6	5	4	3	2	1	0
	LLB		WDRBT	MODFDIS	BRSRCCLK	PCSDEC	PS	MSTR
Access	R/W		R/W	R/W	R/W	R/W	R/W	R/W
Reset	0		0	0	0	0	0	0

#### Bits 31:24 – DLYBCS[7:0] Delay Between Chip Selects

This field defines the delay between the inactivation and the activation of NPCS. The DLYBCS time guarantees nonoverlapping chip selects and solves bus contentions in case of peripherals having long data float times.

If DLYBCS is  $\leq 6$ , six peripheral clock periods are inserted by default.

Otherwise, the following equations determine the delay:

If FLEX\_SPI\_MR.BRSRCCLK = 0:  $DLYBCS = \text{Delay Between Chip Selects} \times f_{\text{peripheral clock}}$   
 If FLEX\_SPI\_MR.BRSRCCLK = 1:  $DLYBCS = \text{Delay Between Chip Selects} \times f_{\text{GCLK}}$

#### Bits 19:16 – PCS[3:0] Peripheral Chip Select

This field is only used if fixed peripheral select is active (PS = 0).

If PCSDEC = 0:

PCS = xxx0 NPCS[3:0] = 1110

PCS = xx01 NPCS[3:0] = 1101

PCS = x011 NPCS[3:0] = 1011

PCS = 0111 NPCS[3:0] = 0111

PCS = 1111 forbidden (no peripheral is selected)

(x = don't care)

If PCSDEC = 1:

NPCS[3:0] output signals = PCS

#### Bit 12 – CMPMODE Comparison Mode

Value	Name	Description
0	FLAG_ONLY	Any character is received and comparison function drives CMP flag.
1	START_CONDITION	Comparison condition must be met to start reception of all incoming characters until REQCLR is set.

**Bit 7 – LLB** Local Loopback Enable

LLB controls the local loopback on the data shift register for testing in Master mode only (MISO is internally connected on MOSI).

Value	Description
0	Local loopback path disabled.
1	Local loopback path enabled.

**Bit 5 – WDRBT** Wait Data Read Before Transfer

Value	Description
0	No Effect. In Master mode, a transfer can be initiated regardless of the FLEX_SPI_RDR state.
1	In Master mode, a transfer can start only if FLEX_SPI_RDR is empty, i.e., does not contain any unread data. This mode prevents overrun error in reception.

**Bit 4 – MODFDIS** Mode Fault Detection

Value	Description
0	Mode fault detection is enabled.
1	Mode fault detection is disabled.

**Bit 3 – BRSRCLK** Bit Rate Source Clock

If the bit BRSRCLK = 1, the FLEX\_US\_CSRx.SCBR field must be programmed with a value greater than 1.

Value	Name	Description
0	PERIPH_CLK	The peripheral clock is the source clock for the bit rate generation.
1	GCLK	GCLK is the source clock for the bit rate generation, thus the bit rate can be independent of the core/peripheral clock.

**Bit 2 – PCSDEC** Chip Select Decode

When PCSDEC equals one, up to 15 Chip Select signals can be generated with the four NPCS lines using an external 4- to 16-bit decoder. The Chip Select registers define the characteristics of the 15 chip selects, with the following rules:

FLEX\_SPI\_CSR0 defines peripheral chip select signals 0 to 3.

FLEX\_SPI\_CSR1 defines peripheral chip select signals 4 to 7.

FLEX\_SPI\_CSR2 defines peripheral chip select signals 8 to 11.

FLEX\_SPI\_CSR3 defines peripheral chip select signals 12 to 14.

Value	Description
0	The chip selects are directly connected to a peripheral device.
1	The four NPCS chip select lines are connected to a 4- to 16-bit decoder.

**Bit 1 – PS** Peripheral Select

Value	Description
0	Fixed Peripheral Select
1	Variable Peripheral Select

**Bit 0 – MSTR** Master/Slave Mode

Value	Description
0	SPI is in Slave mode.
1	SPI is in Master mode.

### 37.10.29 SPI Receive Data Register

**Name:** FLEX\_SPI\_RDR  
**Offset:** 0x408  
**Reset:** 0x00000000  
**Property:** Read-only

If FIFO is enabled (FLEX\_SPI\_CR.FIFOEN) and FLEX\_SPI\_FMR.RXRDYM = 0, see [SPI Single Data Mode](#) for details.

By default, any debugger or software read access to FLEX\_SPI\_RDR clears the FLEX\_SPI\_SR.RDRF flag. To prevent this flag from being cleared on debugger read access, a specific bit must be enabled in the SFR module.

Bit	31	30	29	28	27	26	25	24
Access								
Reset								
Bit	23	22	21	20	19	18	17	16
Access						PCS[3:0]		
Reset					R	R	R	R
Reset					0	0	0	0
Bit	15	14	13	12	11	10	9	8
Access	RD[15:8]							
Reset	R	R	R	R	R	R	R	R
Reset	0	0	0	0	0	0	0	0
Bit	7	6	5	4	3	2	1	0
Access	RD[7:0]							
Reset	R	R	R	R	R	R	R	R
Reset	0	0	0	0	0	0	0	0

#### Bits 19:16 – PCS[3:0] Peripheral Chip Select

In Master mode only, these bits indicate the value on the NPCS pins at the end of a transfer. Otherwise, these bits are read as zero.

**Note:** When using Variable Peripheral Select mode (FLEX\_SPI\_MR.PS = 1), it is mandatory to set the FLEX\_SPI\_MR.WDRBT bit to 1 if the PCS field must be processed in FLEX\_SPI\_RDR.

#### Bits 15:0 – RD[15:0] Receive Data

Data received by the SPI Interface is stored in this register in a right-justified format. Unused bits are read as zero.

**37.10.30 SPI Receive Data Register (FIFO Multiple Data, 8-bit)****Name:** FLEX\_SPI\_RDR (FIFO\_MULTI\_DATA\_8)**Offset:** 0x408**Reset:** 0x00000000**Property:** Read-only

If FIFO is enabled (FLEX\_SPI\_CR.FIFOEN) and FLEX\_SPI\_FMR.RXRDYM > 0, see [SPI Multiple Data Mode](#) for details.

If enabled in the SFR module (default is disabled), a debugger read access does not modify the Receive FIFO status.

Bit	31	30	29	28	27	26	25	24
	RD3[7:0]							
Access	R	R	R	R	R	R	R	R
Reset	0	0	0	0	0	0	0	0
Bit	23	22	21	20	19	18	17	16
	RD2[7:0]							
Access	R	R	R	R	R	R	R	R
Reset	0	0	0	0	0	0	0	0
Bit	15	14	13	12	11	10	9	8
	RD1[7:0]							
Access	R	R	R	R	R	R	R	R
Reset	0	0	0	0	0	0	0	0
Bit	7	6	5	4	3	2	1	0
	RD0[7:0]							
Access	R	R	R	R	R	R	R	R
Reset	0	0	0	0	0	0	0	0

**Bits 0:7, 8:15, 16:23, 24:31 – RDx** Receive Data

First unread data in the Receive FIFO. Data received by the SPI Interface is stored in this register in a right-justified format. Unused bits are read as zero.

**37.10.31 SPI Receive Data Register (FIFO Multiple Data, 16-bit)****Name:** FLEX\_SPI\_RDR (FIFO\_MULTI\_DATA\_16)**Offset:** 0x408**Reset:** 0x00000000**Property:** Read-only

If FIFO is enabled (FLEX\_SPI\_CR.FIFOEN) and FLEX\_SPI\_FMR.RXRDYM > 0, see [SPI Multiple Data Mode](#) for details.

If enabled in the SFR module (default is disabled), a debugger read access does not modify the Receive FIFO status.

Bit	31	30	29	28	27	26	25	24
	RD1[15:8]							
Access	R	R	R	R	R	R	R	R
Reset	0	0	0	0	0	0	0	0
Bit	23	22	21	20	19	18	17	16
	RD1[7:0]							
Access	R	R	R	R	R	R	R	R
Reset	0	0	0	0	0	0	0	0
Bit	15	14	13	12	11	10	9	8
	RD0[15:8]							
Access	R	R	R	R	R	R	R	R
Reset	0	0	0	0	0	0	0	0
Bit	7	6	5	4	3	2	1	0
	RD0[7:0]							
Access	R	R	R	R	R	R	R	R
Reset	0	0	0	0	0	0	0	0

**Bits 0:15, 16:31 – RDx** Receive Data

First unread data in the Receive FIFO. Data received by the SPI Interface is stored in this register in a right-justified format. Unused bits are read as zero.



### 37.10.32 SPI Transmit Data Register

**Name:** FLEX\_SPI\_TDR  
**Offset:** 0x40C  
**Reset:** -  
**Property:** Write-only

If FIFO is enabled (FLEX\_SPI\_CR.FIFOEN) and FLEX\_SPI\_FMR.TXRDYM = 0, see [37.8.6.6. SPI Single Data Mode](#) for details.

Bit	31	30	29	28	27	26	25	24
								LASTXFER
Access								W
Reset								-
Bit	23	22	21	20	19	18	17	16
				PCS[3:0]				
Access				W	W	W	W	W
Reset				-	-	-	-	-
Bit	15	14	13	12	11	10	9	8
	TD[15:8]							
Access	W	W	W	W	W	W	W	W
Reset	-	-	-	-	-	-	-	-
Bit	7	6	5	4	3	2	1	0
	TD[7:0]							
Access	W	W	W	W	W	W	W	W
Reset	-	-	-	-	-	-	-	-

#### Bit 24 – LASTXFER Last Transfer

This field is only used if variable peripheral select is active (FLEX\_SPI\_MR.PS = 1).

Value	Description
0	No effect.
1	The current NPCS is de-asserted after the transfer of the character written in TD. When FLEX_SPI_CSRx.CSAAT is set, the communication with the current serial peripheral can be closed by raising the corresponding NPCS line as soon as TD transfer is completed.

#### Bits 19:16 – PCS[3:0] Peripheral Chip Select

This field is only used if variable peripheral select is active (FLEX\_SPI\_MR.PS = 1).

If FLEX\_SPI\_MR.PCSDEC = 0:

PCS = xxx0 NPCS[3:0] = 1110

PCS = xx01 NPCS[3:0] = 1101

PCS = x011 NPCS[3:0] = 1011

PCS = 0111 NPCS[3:0] = 0111

PCS = 1111 forbidden (no peripheral is selected)

(x = don't care)

If FLEX\_SPI\_MR.PCSDEC = 1:

NPCS[3:0] output signals = PCS

#### Bits 15:0 – TD[15:0] Transmit Data

Data to be transmitted by the SPI Interface is stored in this register. Information to be transmitted must be written to the transmit data register in a right-justified format.

**37.10.33 SPI Transmit Data Register (FIFO Multiple Data, 8- to 16-bit)****Name:** FLEX\_SPI\_TDR (FIFO\_MULTI\_DATA)**Offset:** 0x40C**Reset:** -**Property:** Write-only

If FIFO is enabled (FLEX\_SPI\_CR.FIFOEN) and FLEX\_SPI\_FMR.TXRDYM > 0, see Section 1.8.7.7 “SPI Multiple Data Mode” for details.

Bit	31	30	29	28	27	26	25	24
	TD1[15:8]							
Access	W	W	W	W	W	W	W	W
Reset	-	-	-	-	-	-	-	-
Bit	23	22	21	20	19	18	17	16
	TD1[7:0]							
Access	W	W	W	W	W	W	W	W
Reset	-	-	-	-	-	-	-	-
Bit	15	14	13	12	11	10	9	8
	TD0[15:8]							
Access	W	W	W	W	W	W	W	W
Reset	-	-	-	-	-	-	-	-
Bit	7	6	5	4	3	2	1	0
	TD0[7:0]							
Access	W	W	W	W	W	W	W	W
Reset	-	-	-	-	-	-	-	-

**Bits 0:15, 16:31 – TDx Transmit Data**

Next data to write in the Transmit FIFO. Information to be transmitted must be written to this register in a right-justified format.

### 37.10.34 SPI Status Register

**Name:** FLEX\_SPI\_SR  
**Offset:** 0x410  
**Reset:** 0x00000000  
**Property:** Read-only

By default, any debugger or software read access to FLEX\_SPI\_SR clears the MODF, OVRES, NSSR, UNDES, and CMP flags. To prevent these flags from being cleared on debugger read access, a specific bit must be enabled in the SFR module.

Bit	31	30	29	28	27	26	25	24
	RXFPTEF	TXFPTEF	RXFTHF	RXFFF	RXFEF	TXFTHF	TXFFF	TXFEF
Access	R	R	R	R	R	R	R	R
Reset	0	0	0	0	0	0	0	0
Bit	23	22	21	20	19	18	17	16
								SPIENS
Access								R
Reset								0
Bit	15	14	13	12	11	10	9	8
				SFERR	CMP	UNDES	TXEMPTY	NSSR
Access				R	R	R	R	R
Reset				0	0	0	0	0
Bit	7	6	5	4	3	2	1	0
					OVRES	MODF	TDRE	RDRF
Access					R	R	R	R
Reset					0	0	0	0

#### Bit 31 – RXFPTEF Receive FIFO Pointer Error Flag

See [37.8.6.8. FIFO Pointer Error](#) for details.

This bit reads '0' if the FIFO is disabled (see FLEX\_SPI\_CR to enable/disable the internal FIFO).

Value	Description
0	No Receive FIFO pointer occurred
1	Receive FIFO pointer error occurred. Receiver must be reset

#### Bit 30 – TXFPTEF Transmit FIFO Pointer Error Flag

See [37.8.6.8. FIFO Pointer Error](#) for details.

This bit reads '0' if the FIFO is disabled (see FLEX\_SPI\_CR to enable/disable the internal FIFO).

Value	Description
0	No Transmit FIFO pointer occurred
1	Transmit FIFO pointer error occurred. Transceiver must be reset

#### Bit 29 – RXFTHF Receive FIFO Threshold Flag

This bit reads '0' if the FIFO is disabled (see FLEX\_SPI\_CR to enable/disable the internal FIFO).

Value	Description
0	Number of unread data in Receive FIFO is below RXFTHRES threshold or RXFTH flag has been cleared.
1	Number of unread data in Receive FIFO has reached RXFTHRES threshold (changing states from "below threshold" to "equal to or above threshold").

#### Bit 28 – RXFFF Receive FIFO Full Flag

This bit reads '0' if the FIFO is disabled (see FLEX\_SPI\_CR to enable/disable the internal FIFO).

Value	Description
0	Receive FIFO is not empty or RXFE flag has been cleared.
1	Receive FIFO has been filled (changing states from “not full” to “full”).

**Bit 27 – RXFEF** Receive FIFO Empty Flag

This bit reads '0' if the FIFO is disabled (see FLEX\_SPI\_CR to enable/disable the internal FIFO).

Value	Description
0	Receive FIFO is not empty or RXFE flag has been cleared.
1	Receive FIFO has been emptied (changing states from “not empty” to “empty”).

**Bit 26 – TXFTHF** Transmit FIFO Threshold Flag (cleared on read)

This bit reads '0' if the FIFO is disabled (see FLEX\_SPI\_CR to enable/disable the internal FIFO).

Value	Description
0	Number of data in Transmit FIFO is above TXFTHRES threshold.
1	Number of data in Transmit FIFO has reached TXFTHRES threshold since the last read of FLEX_SPI_SR.

**Bit 25 – TXFFF** Transmit FIFO Full Flag (cleared on read)

This bit reads '0' if the FIFO is disabled (see FLEX\_SPI\_CR to enable/disable the internal FIFO).

Value	Description
0	Transmit FIFO is not full or TXFF flag has been cleared.
1	Transmit FIFO has been filled since the last read of FLEX_SPI_SR.

**Bit 24 – TXFEF** Transmit FIFO Empty Flag (cleared on read)

This bit reads '0' if the FIFO is disabled (see FLEX\_SPI\_CR to enable/disable the internal FIFO).

Value	Description
0	Transmit FIFO is not empty.
1	Transmit FIFO has been emptied since the last read of FLEX_SPI_SR.

**Bit 16 – SPIENS** SPI Enable Status

Value	Description
0	SPI is disabled.
1	SPI is enabled.

**Bit 12 – SFERR** Slave Frame Error (cleared on read)

Value	Description
0	There is no frame error detected for a slave access since the last read of FLEX_SPI_SR.
1	In Slave mode, the chip select raised while the character defined in FLEX_SPI_CSR0.BITS was not complete.

**Bit 11 – CMP** Comparison Status (cleared on read)

Value	Description
0	No received character matched the comparison criteria programmed in VAL1 and VAL2 fields in FLEX_SPI_CMPR since the last read of FLEX_SPI_SR.
1	A received character matched the comparison criteria since the last read of FLEX_SPI_SR.

**Bit 10 – UNDES** Underrun Error Status (Slave mode only) (cleared on read)

Value	Description
0	No underrun has been detected since the last read of FLEX_SPI_SR.
1	A transfer starts whereas no data has been loaded in FLEX_SPI_TDR, cleared when FLEX_SPI_SR is read.

**Bit 9 – TXEMPTY** Transmission Registers Empty (cleared by writing FLEX\_SPI\_TDR)

Value	Description
0	As soon as data is written in FLEX_SPI_TDR.
1	FLEX_SPI_TDR and internal shift register are empty. If a transfer delay has been defined, TXEMPTY is set after the end of this delay.

**Bit 8 – NSSR** NSS Rising (cleared on read)

Value	Description
0	No rising edge detected on NSS pin since the last read of FLEX_SPI_SR.
1	A rising edge occurred on NSS pin since the last read of FLEX_SPI_SR.

**Bit 3 – OVRES** Overrun Error Status (cleared on read)

An overrun occurs when FLEX\_SPI\_RDR is loaded at least twice from the shift register since the last read of FLEX\_SPI\_RDR.

Value	Description
0	No overrun has been detected since the last read of FLEX_SPI_SR.
1	An overrun has occurred since the last read of FLEX_SPI_SR.

**Bit 2 – MODF** Mode Fault Error (cleared on read)

Value	Description
0	No mode fault has been detected since the last read of FLEX_SPI_SR.
1	A mode fault occurred since the last read of FLEX_SPI_SR.

**Bit 1 – TDRE** Transmit Data Register Empty (cleared by writing FLEX\_SPI\_TDR)

When FIFOs are disabled:

0: Data has been written to FLEX\_SPI\_TDR and not yet transferred to the internal shift register.

1: The last data written to FLEX\_SPI\_TDR has been transferred to the internal shift register.

TDRE is cleared when the SPI is disabled or at reset. Enabling the SPI sets the TDRE flag.

When FIFOs are enabled:

0: Transmit FIFO cannot accept more data.

1: Transmit FIFO can accept data; one or more data can be written according to TXRDYM field configuration.

TDRE behavior with FIFOs enabled is illustrated in [37.8.6.5. TXEMPTY, TDRE and RDRF Behavior](#).

**Bit 0 – RDRF** Receive Data Register Full (cleared by reading FLEX\_SPI\_RDR)

When FIFOs are disabled:

0: No data has been received since the last read of FLEX\_SPI\_RDR.

1: Data has been received and the received data has been transferred from the internal shift register to FLEX\_SPI\_RDR since the last read of FLEX\_SPI\_RDR.

When FIFOs are enabled:

0: Receive FIFO is empty; no data to read.

1: At least one unread data is in the Receive FIFO.

RDRF behavior with FIFOs enabled is illustrated in [37.8.6.5. TXEMPTY, TDRE and RDRF Behavior](#).

### 37.10.35 SPI Interrupt Enable Register

**Name:** FLEX\_SPI\_IER  
**Offset:** 0x414  
**Reset:** -  
**Property:** Write-only

This register can only be written if the WPITEN bit is cleared in the [SPI Write Protection Mode Register](#).

The following configuration values are valid for all listed bit names of this register:

0: No effect.

1: Enables the corresponding interrupt.

Bit	31	30	29	28	27	26	25	24
	RXFPTEF	TXFPTEF	RXFTHF	RXFFF	RXFEF	TXFTHF	TXFFF	TXFEF
Access	W	W	W	W	W	W	W	W
Reset	-	-	-	-	-	-	-	-
Bit	23	22	21	20	19	18	17	16
Access								
Reset								
Bit	15	14	13	12	11	10	9	8
					CMP	UNDES	TXEMPTY	NSSR
Access					W	W	W	W
Reset					-	-	-	-
Bit	7	6	5	4	3	2	1	0
					OVRES	MODF	TDRE	RDRF
Access					W	W	W	W
Reset					-	-	-	-

**Bit 31 - RXFPTEF** RXFPTEF Interrupt Enable

**Bit 30 - TXFPTEF** TXFPTEF Interrupt Enable

**Bit 29 - RXFTHF** RXFTHF Interrupt Enable

**Bit 28 - RXFFF** RXFFF Interrupt Enable

**Bit 27 - RXFEF** RXFEF Interrupt Enable

**Bit 26 - TXFTHF** TXFTHF Interrupt Enable

**Bit 25 - TXFFF** TXFFF Interrupt Enable

**Bit 24 - TXFEF** TXFEF Interrupt Enable

**Bit 11 - CMP** Comparison Interrupt Enable

**Bit 10 - UNDES** Underrun Error Interrupt Enable

**Bit 9 – TXEMPTY** Transmission Registers Empty Enable

**Bit 8 – NSSR** NSS Rising Interrupt Enable

**Bit 3 – OVRES** Overrun Error Interrupt Enable

**Bit 2 – MODF** Mode Fault Error Interrupt Enable

**Bit 1 – TDRE** SPI Transmit Data Register Empty Interrupt Enable

**Bit 0 – RDRF** Receive Data Register Full Interrupt Enable

### 37.10.36 SPI Interrupt Disable Register

**Name:** FLEX\_SPI\_IDR  
**Offset:** 0x418  
**Reset:** -  
**Property:** Write-only

This register can only be written if the WPITEN bit is cleared in the [SPI Write Protection Mode Register](#).

The following configuration values are valid for all listed bit names of this register:

0: No effect.

1: Disables the corresponding interrupt.

Bit	31	30	29	28	27	26	25	24
	RXFPTEF	TXFPTEF	RXFTHF	RXFFF	RXFEF	TXFTHF	TXFFF	TXFEF
Access	W	W	W	W	W	W	W	W
Reset	-	-	-	-	-	-	-	-
Bit	23	22	21	20	19	18	17	16
Access								
Reset								
Bit	15	14	13	12	11	10	9	8
					CMP	UNDES	TXEMPTY	NSSR
Access					W	W	W	W
Reset					-	-	-	-
Bit	7	6	5	4	3	2	1	0
					OVRES	MODF	TDRE	RDRF
Access					W	W	W	W
Reset					-	-	-	-

**Bit 31 - RXFPTEF** RXFPTEF Interrupt Disable

**Bit 30 - TXFPTEF** TXFPTEF Interrupt Disable

**Bit 29 - RXFTHF** RXFTHF Interrupt Disable

**Bit 28 - RXFFF** RXFFF Interrupt Disable

**Bit 27 - RXFEF** RXFEF Interrupt Disable

**Bit 26 - TXFTHF** TXFTHF Interrupt Disable

**Bit 25 - TXFFF** TXFFF Interrupt Disable

**Bit 24 - TXFEF** TXFEF Interrupt Disable

**Bit 11 - CMP** Comparison Interrupt Disable

**Bit 10 - UNDES** Underrun Error Interrupt Disable



**Bit 9 – TXEMPTY** Transmission Registers Empty Disable

**Bit 8 – NSSR** NSS Rising Interrupt Disable

**Bit 3 – OVRES** Overrun Error Interrupt Disable

**Bit 2 – MODF** Mode Fault Error Interrupt Disable

**Bit 1 – TDRE** SPI Transmit Data Register Empty Interrupt Disable

**Bit 0 – RDRF** Receive Data Register Full Interrupt Disable

**37.10.37 SPI Interrupt Mask Register**

**Name:** FLEX\_SPI\_IMR  
**Offset:** 0x41C  
**Reset:** 0x00000000  
**Property:** Read-only

The following configuration values are valid for all listed bit names of this register:

0: The corresponding interrupt is not enabled.

1: The corresponding interrupt is enabled.

Bit	31	30	29	28	27	26	25	24
	RXFPTEF	TXFPTEF	RXFTHF	RXFFF	RXFEF	TXFTHF	TXFFF	TXFEF
Access	R	R	R	R	R	R	R	R
Reset	0	0	0	0	0	0	0	0
Bit	23	22	21	20	19	18	17	16
Access								
Reset								
Bit	15	14	13	12	11	10	9	8
					CMP	UNDES	TXEMPTY	NSSR
Access					R	R	R	R
Reset					0	0	0	0
Bit	7	6	5	4	3	2	1	0
					OVRES	MODF	TDRE	RDRF
Access					R	R	R	R
Reset					0	0	0	0

**Bit 31 – RXFPTEF** RXFPTEF Interrupt Mask

**Bit 30 – TXFPTEF** TXFPTEF Interrupt Mask

**Bit 29 – RXFTHF** RXFTHF Interrupt Mask

**Bit 28 – RXFFF** RXFFF Interrupt Mask

**Bit 27 – RXFEF** RXFEF Interrupt Mask

**Bit 26 – TXFTHF** TXFTHF Interrupt Mask

**Bit 25 – TXFFF** TXFFF Interrupt Mask

**Bit 24 – TXFEF** TXFEF Interrupt Mask

**Bit 11 – CMP** Comparison Interrupt Mask

**Bit 10 – UNDES** Underrun Error Interrupt Mask

**Bit 9 – TXEMPTY** Transmission Registers Empty Mask

**Bit 8 – NSSR** NSS Rising Interrupt Mask

**Bit 3 – OVRES** Overrun Error Interrupt Mask

**Bit 2 – MODF** Mode Fault Error Interrupt Mask

**Bit 1 – TDRE** SPI Transmit Data Register Empty Interrupt Mask

**Bit 0 – RDRF** Receive Data Register Full Interrupt Mask

### 37.10.38 SPI Chip Select Register

**Name:** FLEX\_SPI\_CSRx  
**Offset:** 0x0430 + x\*0x04 [x=0..3]  
**Reset:** 0x00000000  
**Property:** R/W

This register can only be written if the WPEN bit is cleared in the [SPI Write Protection Mode Register](#).

FLEX\_SPI\_CSRx must be written even if the user wants to use the default reset values. The BITS field is not updated with the translated value unless the register is written.

Bit	31	30	29	28	27	26	25	24
	DLYBCT[7:0]							
Access	R/W	R/W	R/W	R/W	R/W	R/W	R/W	R/W
Reset	0	0	0	0	0	0	0	0
Bit	23	22	21	20	19	18	17	16
	DLYBS[7:0]							
Access	R/W	R/W	R/W	R/W	R/W	R/W	R/W	R/W
Reset	0	0	0	0	0	0	0	0
Bit	15	14	13	12	11	10	9	8
	SCBR[7:0]							
Access	R/W	R/W	R/W	R/W	R/W	R/W	R/W	R/W
Reset	0	0	0	0	0	0	0	0
Bit	7	6	5	4	3	2	1	0
	BITS[3:0]				CSAAT	CSNAAT	NCPHA	CPOL
Access	R/W	R/W	R/W	R/W	R/W	R/W	R/W	R/W
Reset	0	0	0	0	0	0	0	0

#### Bits 31:24 – DLYBCT[7:0] Delay Between Consecutive Transfers

This field defines the delay between two consecutive transfers with the same peripheral without removing the chip select. The delay is always inserted after each transfer and before removing the chip select if needed.

When DLYBCT = 0, no delay between consecutive transfers is inserted and the clock keeps its duty cycle over the character transfers.

Otherwise, the following equations determine the delay:

If FLEX\_SPI\_MR.BRSRCCLK = 0:  $DLYBCT = \text{Delay Between Consecutive Transfers} \times f_{\text{peripheral clock}} / 32$

If FLEX\_SPI\_MR.BRSRCCLK = 1:  $DLYBCT = \text{Delay Between Consecutive Transfers} \times f_{\text{GCLK}} / 32$

#### Bits 23:16 – DLYBS[7:0] Delay Before SPCK

This field defines the delay from NPCS falling edge (activation) to the first valid SPCK transition.

When DLYBS = 0, the delay is half the SPCK clock period.

Otherwise, the following equations determine the delay:

If FLEX\_SPI\_MR.BRSRCCLK = 0:  $DLYBS = \text{Delay Before SPCK} \times f_{\text{peripheral clock}}$

If FLEX\_SPI\_MR.BRSRCCLK = 1:  $DLYBS = \text{Delay Before SPCK} \times f_{\text{GCLK}}$

#### Bits 15:8 – SCBR[7:0] Serial Clock Bit Rate

In Master mode, the SPI Interface uses a modulus counter to derive the SPCK bit rate from the clock defined by the bit BRSRCCLK. The bit rate is selected by writing a value from 1 to 255 in the SCBR field. The following equations determine the SPCK bit rate:

If FLEX\_SPI\_MR.BRSRCCLK = 0:  $SCBR = f_{\text{peripheral clock}} / \text{SPCK Bit Rate}$

If FLEX\_SPI\_MR.BRSRCCLK = 1:  $SCBR = f_{\text{GCLK}} / \text{SPCK Bit Rate}$

Programming the SCBR field to 0 is forbidden. Triggering a transfer while SCBR is at 0 can lead to unpredictable results.

If BRSRCCLK = 1 in FLEX\_SPI\_MR, SCBR must be programmed with a value greater than 1.

At reset, SCBR is 0 and the user has to program it at a valid value before performing the first transfer.

**Note:** If one of the FLEX\_SPI\_CSRx.SCBR fields is set to 1, the other FLEX\_SPI\_CSRx.SCBR fields must be set to 1 as well, if they are used to process transfers. If they are not used to transfer data, they can be set at any value.

#### Bits 7:4 – BITS[3:0] Bits Per Transfer

See [Note](#).

The BITS field determines the number of data bits transferred. Reserved values should not be used.

Value	Name	Description
0	8_BIT	8 bits for transfer
1	9_BIT	9 bits for transfer
2	10_BIT	10 bits for transfer
3	11_BIT	11 bits for transfer
4	12_BIT	12 bits for transfer
5	13_BIT	13 bits for transfer
6	14_BIT	14 bits for transfer
7	15_BIT	15 bits for transfer
8	16_BIT	16 bits for transfer
9–15	Reserved	

#### Bit 3 – CSAAT Chip Select Active After Transfer

Value	Description
0	The Peripheral Chip Select Line rises as soon as the last transfer is achieved.
1	The Peripheral Chip Select does not rise after the last transfer is achieved. It remains active until a new transfer is requested on a different chip select.

#### Bit 2 – CSNAAT Chip Select Not Active After Transfer (Ignored if CSAAT = 1)

If FLEX\_SPI\_MR.BRSRCCLK = 0:  $\frac{DLYBCS}{f_{\text{peripheral clock}}}$  (if DLYBCS ≠ 0)

If FLEX\_SPI\_MR.BRSRCCLK = 1:  $\frac{DLYBCS}{f_{GCLK}}$

If DLYBCS < 6, a minimum of six periods is introduced.

Value	Description
0	The Peripheral Chip Select does not rise between two transfers if the FLEX_SPI_TDR is reloaded before the end of the first transfer and if the two transfers occur on the same Chip Select.
1	The Peripheral Chip Select rises systematically after each transfer performed on the same slave. It remains inactive after the end of transfer for a minimal duration of:

#### Bit 1 – NCPHA Clock Phase

NCPHA determines which edge of SPCK causes data to change and which edge causes data to be captured. NCPHA is used with CPOL to produce the required clock/data relationship between master and slave devices.

Value	Description
0	Data are changed on the leading edge of SPCK and captured on the following edge of SPCK.
1	Data are captured on the leading edge of SPCK and changed on the following edge of SPCK.

#### Bit 0 – CPOL Clock Polarity

CPOL is used to determine the inactive state value of the serial clock (SPCK). It is used with NCPHA to produce the required clock/data relationship between master and slave devices.

Value	Description
0	The inactive state value of SPCK is logic level zero.
1	The inactive state value of SPCK is logic level one.

### 37.10.39 SPI FIFO Mode Register

**Name:** FLEX\_SPI\_FMR  
**Offset:** 0x440  
**Reset:** 0x00000000  
**Property:** Read/Write

This register reads '0' if the FIFO is disabled (see FLEX\_SPI\_CR to enable/disable the internal FIFO)

Bit	31	30	29	28	27	26	25	24
	RXFTHRES[5:0]							
Access			R/W	R/W	R/W	R/W	R/W	R/W
Reset			0	0	0	0	0	0
Bit	23	22	21	20	19	18	17	16
	TXFTHRES[5:0]							
Access			R/W	R/W	R/W	R/W	R/W	R/W
Reset			0	0	0	0	0	0
Bit	15	14	13	12	11	10	9	8
Access								
Reset								
Bit	7	6	5	4	3	2	1	0
			RXRDYM[1:0]				TXRDYM[1:0]	
Access			R/W	R/W			R/W	R/W
Reset			0	0			0	0

#### Bits 29:24 – RXFTHRES[5:0] Receive FIFO Threshold

Value	Description
0–8	Defines the Receive FIFO threshold value (number of data). The FLEX_SPI_SR.RXFTH flag will be set when Receive FIFO goes from “below” threshold state to “equal to or above” threshold state.

#### Bits 21:16 – TXFTHRES[5:0] Transmit FIFO Threshold

Value	Description
0–8	Defines the Transmit FIFO threshold value (number of data). The FLEX_SPI_SR.TXFTH flag will be set when Transmit FIFO goes from “above” threshold state to “equal to or below” threshold state.

#### Bits 5:4 – RXRDYM[1:0] Receive Data Register Full Mode

If FIFOs are enabled, the FLEX\_SPI\_SR.RDRF flag behaves as follows.

Value	Name	Description
0	ONE_DATA	RDRF will be at level '1' when at least one unread data is in the Receive FIFO.
1	TWO_DATA	RDRF will be at level '1' when at least two unread data are in the Receive FIFO. Cannot be used when FLEX_SPI_MR.MSTR = 1, or if FLEX_SPI_MR.PS = 1.
2	FOUR_DATA	RDRF will be at level '1' when at least four unread data are in the Receive FIFO. Cannot be used when FLEX_SPI_CSRx.BITS is greater than 0, or if FLEX_SPI_MR.MSTR = 1, or if FLEX_SPI_MR.PS = 1.

#### Bits 1:0 – TXRDYM[1:0] Transmit Data Register Empty Mode

If FIFOs are enabled, the FLEX\_SPI\_SR.TDRE flag behaves as follows.

Value	Name	Description
0	ONE_DATA	TDRE will be at level '1' when at least one data can be written in the Transmit FIFO.
1	TWO_DATA	TDRE will be at level '1' when at least two data can be written in the Transmit FIFO. Cannot be used if FLEX_SPI_MR.PS = 1.

### 37.10.40 SPI FIFO Level Register

**Name:** FLEX\_SPI\_FLR  
**Offset:** 0x444  
**Reset:** 0x00000000  
**Property:** Read-only

This register reads '0' if the FIFO is disabled (see FLEX\_SPI\_CR to enable/disable the internal FIFO).

Bit	31	30	29	28	27	26	25	24
Access								
Reset								

Bit	23	22	21	20	19	18	17	16
Access			RXFL[5:0]					
Reset			R	R	R	R	R	R
Reset			0	0	0	0	0	0

Bit	15	14	13	12	11	10	9	8
Access								
Reset								

Bit	7	6	5	4	3	2	1	0
Access			TXFL[5:0]					
Reset			R	R	R	R	R	R
Reset			0	0	0	0	0	0

#### Bits 21:16 – RXFL[5:0] Receive FIFO Level

Value	Description
0	There is no unread data in the Receive FIFO.
1–8	Indicates the number of unread data in the Receive FIFO.

#### Bits 5:0 – TXFL[5:0] Transmit FIFO Level

Value	Description
0	There is no data in the Transmit FIFO.
1–8	Indicates the number of data in the Transmit FIFO.

### 37.10.41 SPI Comparison Register

**Name:** FLEX\_SPI\_CMPR  
**Offset:** 0x448  
**Reset:** 0x00000000  
**Property:** Read/Write

This register can only be written if the WPEN bit is cleared in the [SPI Write Protection Mode Register](#).

Bit	31	30	29	28	27	26	25	24
	VAL2[15:8]							
Access	R/W	R/W	R/W	R/W	R/W	R/W	R/W	R/W
Reset	0	0	0	0	0	0	0	0
Bit	23	22	21	20	19	18	17	16
	VAL2[7:0]							
Access	R/W	R/W	R/W	R/W	R/W	R/W	R/W	R/W
Reset	0	0	0	0	0	0	0	0
Bit	15	14	13	12	11	10	9	8
	VAL1[15:8]							
Access	R/W	R/W	R/W	R/W	R/W	R/W	R/W	R/W
Reset	0	0	0	0	0	0	0	0
Bit	7	6	5	4	3	2	1	0
	VAL1[7:0]							
Access	R/W	R/W	R/W	R/W	R/W	R/W	R/W	R/W
Reset	0	0	0	0	0	0	0	0

#### Bits 31:16 – VAL2[15:0] Second Comparison Value for Received Character

Value	Description
0–65535	The received character must be lower than or equal to the value of VAL2 and higher than or equal to VAL1 to set the FLEX_SPI_CSR.CMP flag.

#### Bits 15:0 – VAL1[15:0] First Comparison Value for Received Character

Value	Description
0–65535	The received character must be higher than or equal to the value of VAL1 and lower than or equal to VAL2 to set the FLEX_SPI_SR.CMP flag.



## 37.10.42 SPI Write Protection Mode Register

**Name:** FLEX\_SPI\_WPMR  
**Offset:** 0x4E4  
**Reset:** 0x00000000  
**Property:** Read/Write

Bit	31	30	29	28	27	26	25	24
	WPKEY[23:16]							
Access	W	W	W	W	W	W	W	W
Reset	0	0	0	0	0	0	0	0
Bit	23	22	21	20	19	18	17	16
	WPKEY[15:8]							
Access	W	W	W	W	W	W	W	W
Reset	0	0	0	0	0	0	0	0
Bit	15	14	13	12	11	10	9	8
	WPKEY[7:0]							
Access	W	W	W	W	W	W	W	W
Reset	0	0	0	0	0	0	0	0
Bit	7	6	5	4	3	2	1	0
						WPCREN	WPITEN	WPEN
Access						R/W	R/W	R/W
Reset						0	0	0

## Bits 31:8 – WPKEY[23:0] Write Protection Key

Value	Name	Description
0x535049	PASSWD	Writing any other value in this field aborts the write operation of bits WPEN, WPITEN and WPCREN. Always reads as 0.

## Bit 2 – WPCREN Write Protection Control Enable

Value	Description
0	Disables the write protection on control register if WPKEY corresponds to 0x535049 (“SPI” in ASCII).
1	Enables the write protection on control register if WPKEY corresponds to 0x535049 (“SPI” in ASCII).

## Bit 1 – WPITEN Write Protection Interrupt Enable

Value	Description
0	Disables the write protection on interrupt registers if WPKEY corresponds to 0x535049 (“SPI” in ASCII).
1	Enables the write protection on interrupt registers if WPKEY corresponds to 0x535049 (“SPI” in ASCII).

## Bit 0 – WPEN Write Protection Enable

See [37.8.7. SPI Register Write Protection](#) for the list of registers that can be write-protected.

Value	Description
0	Disables the write protection if WPKEY corresponds to 0x535049 (“SPI” in ASCII).
1	Enables the write protection if WPKEY corresponds to 0x535049 (“SPI” in ASCII).

### 37.10.43 SPI Write Protection Status Register

**Name:** FLEX\_SPI\_WPSR  
**Offset:** 0x4E8  
**Reset:** 0x00000000  
**Property:** Read-only

By default, any debugger or software read access to FLEX\_US\_WPSR clears the WPVS flag. To prevent this flag from being cleared on debugger read access, a specific bit must be enabled in the SFR module.

Bit	31	30	29	28	27	26	25	24
Access								
Reset								
Bit	23	22	21	20	19	18	17	16
Access								
Reset								
Bit	15	14	13	12	11	10	9	8
Access	WPVSR[7:0]							
Reset	WPVSR[7:0]							
Bit	7	6	5	4	3	2	1	0
Access								WPVS
Reset								0

#### Bits 15:8 – WPVSR[7:0] Write Protection Violation Source

When WPVS = 1, WPVSR indicates the register address offset at which a write access has been attempted.

#### Bit 0 – WPVS Write Protection Violation Status

Value	Description
0	No write protect violation has occurred since the last read of FLEX_SPI_WPSR.
1	A write protect violation has occurred since the last read of FLEX_SPI_WPSR. If this violation is an unauthorized attempt to write a protected register, the associated violation is reported into field WPVSR.

### 37.10.44 TWI Control Register

**Name:** FLEX\_TWI\_CR  
**Offset:** 0x600  
**Reset:** -  
**Property:** Write-only

This register can only be written if the WPCREN bit is cleared in the [TWI Write Protection Mode Register](#).

Bit	31	30	29	28	27	26	25	24
			FIFODIS	FIFOEN		LOCKCLR		THRCLR
Access			W	W		W		W
Reset			-	-		-		-
Bit	23	22	21	20	19	18	17	16
							ACMDIS	ACMEN
Access							W	W
Reset							-	-
Bit	15	14	13	12	11	10	9	8
	CLEAR	PECRQ	PECDIS	PECEN	SMBDIS	SMBEN	HSDIS	HSEN
Access	W	W	W	W	W	W	W	W
Reset	-	-	-	-	-	-	-	-
Bit	7	6	5	4	3	2	1	0
	SWRST	QUICK	SVDIS	SVEN	MSDIS	MSEN	STOP	START
Access	W	W	W	W	W	W	W	W
Reset	-	-	-	-	-	-	-	-

#### Bit 29 – FIFODIS FIFO Disable

Value	Description
0	No effect.
1	Disable the Transmit and Receive FIFOs

#### Bit 28 – FIFOEN FIFO Enable

Value	Description
0	No effect.
1	Enable the Transmit and Receive FIFOs

#### Bit 26 – LOCKCLR Lock Clear

Value	Description
0	No effect.
1	Clear the TWI FSM lock.

#### Bit 24 – THRCLR Transmit Holding Register Clear

Value	Description
0	No effect.
1	Clear the Transmit Holding Register and set TXRDY, TXCOMP flags.

#### Bit 17 – ACMDIS Alternative Command Mode Disable

Value	Description
0	No effect.
1	Alternative Command mode disabled.

**Bit 16 – ACMEN** Alternative Command Mode Enable

Value	Description
0	No effect.
1	Alternative Command mode enabled.

**Bit 15 – CLEAR** Bus CLEAR Command

Value	Description
0	No effect.
1	If Master mode is enabled, send a bus clear command.

**Bit 14 – PECRQ** PEC Request

Value	Description
0	No effect.
1	A PEC check or transmission is requested.

**Bit 13 – PECDIS** Packet Error Checking Disable

Value	Description
0	No effect.
1	SMBus PEC (CRC) generation and check disabled.

**Bit 12 – PECEN** Packet Error Checking Enable

Value	Description
0	No effect.
1	SMBus PEC (CRC) generation and check enabled.

**Bit 11 – SMBDIS** SMBus Mode Disabled

Value	Description
0	No effect.
1	SMBus mode disabled.

**Bit 10 – SMBEN** SMBus Mode Enabled

Value	Description
0	No effect.
1	If SMBDIS = 0, SMBus mode enabled.

**Bit 9 – HSDIS** TWI High-Speed Mode Disabled

Value	Description
0	No effect.
1	High-speed mode disabled.

**Bit 8 – HSEN** TWI High-Speed Mode Enabled

Value	Description
0	No effect.
1	High-speed mode enabled.

**Bit 7 – SWRST** Software Reset

Value	Description
0	No effect.
1	Equivalent to a system reset.

**Bit 6 – QUICK** SMBus Quick Command

Value	Description
0	No effect.
1	If Master mode is enabled, an SMBus Quick Command is sent.

**Bit 5 – SVDIS** TWI Slave Mode Disabled

Value	Description
0	No effect.
1	Slave mode is disabled. The shifter and holding characters (if it contains data) are transmitted in the case of a read operation. In a write operation, the character being transferred must be completely received before disabling.

**Bit 4 – SVEN** TWI Slave Mode Enabled

Switching from Master to Slave mode is only permitted when TXCOMP = 1.

Value	Description
0	No effect.
1	Enables the Slave mode (SVDIS must be written to 0).

**Bit 3 – MSDIS** TWI Master Mode Disabled

Value	Description
0	No effect.
1	The Master mode is disabled, all pending data is transmitted. The shifter and holding characters (if it contains data) are transmitted in case of write operation. In read operation, the character being transferred must be completely received before disabling.

**Bit 2 – MSEN** TWI Master Mode Enabled

Switching from Slave to Master mode is only permitted when TXCOMP = 1.

Value	Description
0	No effect.
1	Enables the Master mode (MSDIS must be written to 0).

**Bit 1 – STOP** Send a STOP Condition

Value	Description
0	No effect.
1	STOP condition is sent just after completing the current byte transmission in Master Read mode. <ul style="list-style-type: none"> <li>– In single data byte master read, both START and STOP must be set.</li> <li>– In multiple data bytes master read, the STOP must be set after the last data received but one.</li> <li>– In Master Read mode, if a NACK bit is received, the STOP is automatically performed.</li> <li>– In master data write operation, a STOP condition will be sent after the transmission of the current data is finished.</li> </ul>

**Bit 0 – START** Send a START Condition

This action is necessary when the TWI peripheral needs to read data from a slave. When configured in Master mode with a write operation, a frame is sent as soon as the user writes a character in the Transmit Holding Register (FLEX\_TWI\_THR).

Value	Description
0	No effect.
1	A frame beginning with a START bit is transmitted according to the features defined in the TWI Master Mode Register (FLEX_TWI_MMR).

**37.10.45 TWI Control Register (FIFO\_ENABLED)****Name:** FLEX\_TWI\_CR (FIFO\_ENABLED)**Offset:** 0x600**Reset:** -**Property:** Write-only

If FIFO is enabled (FLEX\_US\_CR.FIFOEN bit), see [37.9.6.8. TWI Multiple Data Mode](#) for details.

This register can only be written if the WPCREN bit is cleared in the [TWI Write Protection Mode Register](#).

Bit	31	30	29	28	27	26	25	24
			FIFODIS	FIFOEN		TXFLCLR	RXFCLR	TXFCLR
Access			W	W		W	W	W
Reset			-	-		-	-	-
Bit	23	22	21	20	19	18	17	16
							ACMDIS	ACMEN
Access							W	W
Reset							-	-
Bit	15	14	13	12	11	10	9	8
	CLEAR	PECRQ	PECDIS	PECEN	SMBDIS	SMBEN	HSDIS	HSEN
Access	W	W	W	W	W	W	W	W
Reset	-	-	-	-	-	-	-	-
Bit	7	6	5	4	3	2	1	0
	SWRST	QUICK	SVDIS	SVEN	MSDIS	MSEN	STOP	START
Access	W	W	W	W	W	W	W	W
Reset	-	-	-	-	-	-	-	-

**Bit 29 – FIFODIS** FIFO Disable

Value	Description
0	No effect.
1	Disable the Transmit and Receive FIFOs.

**Bit 28 – FIFOEN** FIFO Enable

Value	Description
0	No effect.
1	Enable the Transmit and Receive FIFOs.

**Bit 26 – TXFLCLR** Transmit FIFO Lock CLEAR

Value	Description
0	No effect.
1	Clears the Transmit FIFO Lock.

**Bit 25 – RXFCLR** Receive FIFO Clear

Value	Description
0	No effect.
1	Empties the Receive FIFO.

**Bit 24 – TXFCLR** Transmit FIFO Clear

Value	Description
0	No effect.
1	Empties the Transmit FIFO.

**Bit 17 – ACMDIS** Alternative Command Mode Disable

Value	Description
0	No effect.
1	Alternative Command mode disabled.

**Bit 16 – ACMEN** Alternative Command Mode Enable

Value	Description
0	No effect.
1	Alternative Command mode enabled.

**Bit 15 – CLEAR** Bus CLEAR Command

Value	Description
0	No effect.
1	If Master mode is enabled, send a bus clear command.

**Bit 14 – PECRQ** PEC Request

Value	Description
0	No effect.
1	A PEC check or transmission is requested.

**Bit 13 – PECDIS** Packet Error Checking Disable

Value	Description
0	No effect.
1	SMBus PEC (CRC) generation and check disabled.

**Bit 12 – PECEN** Packet Error Checking Enable

Value	Description
0	No effect.
1	SMBus PEC (CRC) generation and check enabled.

**Bit 11 – SMBDIS** SMBus Mode Disabled

Value	Description
0	No effect.
1	SMBus mode disabled.

**Bit 10 – SMBEN** SMBus Mode Enabled

Value	Description
0	No effect.
1	If SMBDIS = 0, SMBus mode enabled.

**Bit 9 – HSDIS** TWI High-Speed Mode Disabled

Value	Description
0	No effect.
1	High-speed mode disabled.

**Bit 8 – HSEN** TWI High-Speed Mode Enabled

Value	Description
0	No effect.
1	High-speed mode enabled.

**Bit 7 – SWRST** Software Reset

Value	Description
0	No effect.
1	Equivalent to a system reset.

**Bit 6 – QUICK** SMBus Quick Command

Value	Description
0	No effect.
1	If Master mode is enabled, a SMBus Quick Command is sent.

**Bit 5 – SVDIS** TWI Slave Mode Disabled

Value	Description
0	No effect.
1	Slave mode is disabled. The shifter and holding characters (if it contains data) are transmitted in the case of a read operation. In a write operation, the character being transferred must be completely received before disabling.

**Bit 4 – SVEN** TWI Slave Mode Enabled

Switching from Master to Slave mode is only permitted when TXCOMP = 1.

Value	Description
0	No effect.
1	Enables the Slave mode (SVDIS must be written to 0).

**Bit 3 – MSDIS** TWI Master Mode Disabled

Value	Description
0	No effect.
1	The Master mode is disabled, all pending data is transmitted. The shifter and holding characters (if it contains data) are transmitted in the case of a write operation. In a read operation, the character being transferred must be completely received before disabling.

**Bit 2 – MSEN** TWI Master Mode Enabled

Switching from Slave to Master mode is only permitted when TXCOMP = 1.

Value	Description
0	No effect.
1	Enables the Master mode (MSDIS must be written to 0).

**Bit 1 – STOP** Send a STOP Condition

Value	Description
0	No effect.
1	STOP condition is sent just after completing the current byte transmission in Master Read mode. <ul style="list-style-type: none"> <li>– In single data byte master read, both START and STOP must be set.</li> <li>– In multiple data bytes master read, the STOP must be set after the last data received but one.</li> <li>– In Master Read mode, if a NACK bit is received, the STOP is automatically performed.</li> <li>– In master data write operation, a STOP condition will be sent after the transmission of the current data is finished.</li> </ul>

**Bit 0 – START** Send a START Condition

This action is necessary when the TWI peripheral needs to read data from a slave. When configured in Master mode with a write operation, a frame is sent as soon as the user writes a character in the Transmit Holding Register (FLEX\_TWI\_THR).

Value	Description
0	No effect.
1	A frame beginning with a START bit is transmitted according to the features defined in the TWI Master Mode Register (FLEX_TWI_MMR).



**37.10.46 TWI Master Mode Register**

**Name:** FLEX\_TWI\_MMR  
**Offset:** 0x604  
**Reset:** 0x00000000  
**Property:** Read/Write

Bit	31	30	29	28	27	26	25	24
								NOAP
Access								R/W
Reset								0
Bit	23	22	21	20	19	18	17	16
	DADR[6:0]							
Access		R/W	R/W	R/W	R/W	R/W	R/W	R/W
Reset		0	0	0	0	0	0	0
Bit	15	14	13	12	11	10	9	8
				MREAD				IADRSZ[1:0]
Access				R/W				R/W
Reset				0				0
Bit	7	6	5	4	3	2	1	0
Access								
Reset								

**Bit 24 – NOAP** No Auto-Stop On NACK Error

Value	Description
0	A stop condition is sent automatically upon Not-Acknowledge error detection.
1	No automatic action is performed upon Not-Acknowledge error detection.

**Bits 22:16 – DADR[6:0]** Device Address

The device address is used to access slave devices in Read or Write mode. Those bits are only used in Master mode.

**Bit 12 – MREAD** Master Read Direction

Value	Description
0	Master write direction.
1	Master read direction.

**Bits 9:8 – IADRSZ[1:0]** Internal Device Address Size

Value	Name	Description
0	NONE	No internal device address
1	1_BYTE	One-byte internal device address
2	2_BYTE	Two-byte internal device address
3	3_BYTE	Three-byte internal device address

### 37.10.47 TWI Slave Mode Register

**Name:** FLEX\_TWI\_SMR  
**Offset:** 0x608  
**Reset:** 0x00000000  
**Property:** Read/Write

This register can only be written if the WPEN bit is cleared in the [TWI Write Protection Mode Register](#).

Bit	31	30	29	28	27	26	25	24
Access								
Reset								
Bit	23	22	21	20	19	18	17	16
Access		SADR[6:0]						
Reset		0	0	0	0	0	0	0
Bit	15	14	13	12	11	10	9	8
Access		MASK[6:0]						
Reset		0	0	0	0	0	0	0
Bit	7	6	5	4	3	2	1	0
Access	R/W	R/W	R/W	R/W	R/W	R/W		R/W
Reset	0	0	0	0	0	0		0
	SNIFF	SCLWSDIS	BSEL	SADAT	SMHH	SMDA		NACKEN

#### Bits 22:16 – SADR[6:0] Slave Address

The slave device address is used in Slave mode in order to be accessed by master devices in Read or Write mode.

SADR must be programmed before enabling the Slave mode or after a general call. Writes at other times have no effect.

#### Bits 14:8 – MASK[6:0] Slave Address Mask

A mask can be applied on the slave device address in Slave mode in order to allow multiple address answer. For each bit of the MASK field set to one, the corresponding SADR bit will be masked.

If the MASK field is set to 0, no mask is applied to the SADR field.

#### Bit 7 – SNIFF Slave Sniffer Mode

Value	Description
0	Slave Sniffer mode is disabled.
1	Slave Sniffer mode is enabled.

#### Bit 6 – SCLWSDIS Clock Wait State Disable

Value	Description
0	No effect.
1	Clock stretching disabled in Slave mode, OVRE and UNRE will indicate overrun and underrun.

#### Bit 5 – BSEL TWI Bus Selection

Value	Description
0	TWI analyzes the TWCK and TWD pins from its TWI bus.
1	TWI analyzes the TWCK pins TWD from consecutive index TWI peripheral of the product.

**Bit 4 – SADAT** Slave Address Treated as Data

When Slave Sniffer Mode is enabled, the slave address is always received as data in FLEX\_TWI\_RHR and SADAT has no effect.

Value	Description
0	Slave address is handled normally (will not trig RXRDY flag and will not fill FLEX_TWI_RHR upon reception).
1	Slave address is handled as data field, RXRDY will be set and FLEX_TWI_RHR filled upon slave address reception.

**Bit 3 – SMHH** SMBus Host Header

Value	Description
0	Acknowledge of the SMBus Host Header disabled.
1	Acknowledge of the SMBus Host Header enabled.

**Bit 2 – SMDA** SMBus Default Address

Value	Description
0	Acknowledge of the SMBus Default Address disabled.
1	Acknowledge of the SMBus Default Address enabled.

**Bit 0 – NACKEN** Slave Receiver Data Phase NACK Enable

Value	Description
0	Normal value to be returned in the ACK cycle of the data phase in Slave Receiver mode.
1	NACK value to be returned in the ACK cycle of the data phase in Slave Receiver mode.

**37.10.48 TWI Internal Address Register**

**Name:** FLEX\_TWI\_IADR  
**Offset:** 0x60C  
**Reset:** 0x00000000  
**Property:** Read/Write

Bit	31	30	29	28	27	26	25	24
Access								
Reset								
Bit	23	22	21	20	19	18	17	16
	IADR[23:16]							
Access	R/W	R/W	R/W	R/W	R/W	R/W	R/W	R/W
Reset	0	0	0	0	0	0	0	0
Bit	15	14	13	12	11	10	9	8
	IADR[15:8]							
Access	R/W	R/W	R/W	R/W	R/W	R/W	R/W	R/W
Reset	0	0	0	0	0	0	0	0
Bit	7	6	5	4	3	2	1	0
	IADR[7:0]							
Access	R/W	R/W	R/W	R/W	R/W	R/W	R/W	R/W
Reset	0	0	0	0	0	0	0	0

**Bits 23:0 – IADR[23:0]** Internal Address  
 0, 1, 2 or 3 bytes depending on IADRSZ.

### 37.10.49 TWI Clock Waveform Generator Register

**Name:** FLEX\_TWI\_CWGR  
**Offset:** 0x610  
**Reset:** 0x00000000  
**Property:** Read/Write

FLEX\_TWI\_CWGR is only used in Master mode.

Bit	31	30	29	28	27	26	25	24
	HOLD[5:0]							
Access			R/W	R/W	R/W	R/W	R/W	R/W
Reset			0	0	0	0	0	0
Bit	23	22	21	20	19	18	17	16
				BRSRCCLK		CKDIV[2:0]		
Access				R/W		R/W	R/W	R/W
Reset				0		0	0	0
Bit	15	14	13	12	11	10	9	8
	CHDIV[7:0]							
Access	R/W	R/W	R/W	R/W	R/W	R/W	R/W	R/W
Reset	0	0	0	0	0	0	0	0
Bit	7	6	5	4	3	2	1	0
	CLDIV[7:0]							
Access	R/W	R/W	R/W	R/W	R/W	R/W	R/W	R/W
Reset	0	0	0	0	0	0	0	0

#### Bits 29:24 – HOLD[5:0] TWD Hold Time Versus TWCK Falling

If High-speed mode is selected TWD is internally modified on the TWCK falling edge to meet the I<sup>2</sup>C specified maximum hold time, else if High-speed mode is not configured TWD is kept unchanged after TWCK falling edge for a period of  $(HOLD + 3) \times t_{\text{peripheral clock}}$ .

#### Bit 20 – BRSRCCLK Bit Rate Source Clock

Value	Name	Description
0	PERIPH_CLK	The peripheral clock is the source clock for the bit rate generation.
1	GCLK	GCLK is the source clock for the bit rate generation, thus the bit rate can be independent of the core/peripheral clock.

#### Bits 18:16 – CKDIV[2:0] Clock Divider

The CKDIV is used to increase both SCL high and low periods.

#### Bits 15:8 – CHDIV[7:0] Clock High Divider

The SCL high period is defined as follows:

If FLEX\_TWI\_FILTR.FILT = 0

- If BRSRCCLK = 0:  $CHDIV = ((t_{\text{high}}/t_{\text{peripheral clock}}) - 3)/2^{\text{CKDIV}}$
- If BRSRCCLK = 1:  $CHDIV = (t_{\text{high}}/t_{\text{ext\_ck}})/2^{\text{CKDIV}}$

If FLEX\_TWI\_FILTR.FILT = 1

- If BRSRCCLK = 0:  $CHDIV = ((t_{\text{high}}/t_{\text{peripheral clock}}) - 3 - (\text{THRES}+1))/2^{\text{CKDIV}}$
- If BRSRCCLK = 1:  $CHDIV = ((t_{\text{high}} - (\text{THRES}+1) * t_{\text{peripheral clock}})/t_{\text{ext\_ck}})/2^{\text{CKDIV}}$

**Bits 7:0 – CLDIV[7:0]** Clock Low Divider

The SCL low period is defined as follows:

If FLEX\_TWI\_FILTR.FILTR = 0

- If BRSRCCLK = 0:  $CLDIV = ((t_{low}/t_{\text{peripheral clock}}) - 3)/2^{CKDIV}$
- If BRSRCCLK = 1:  $CLDIV = (t_{low}/t_{\text{ext\_ck}})/2^{CKDIV}$

If FLEX\_TWI\_FILTR.FILTR = 1

- If BRSRCCLK = 0:  $CLDIV = ((t_{low}/t_{\text{peripheral clock}}) - 3 - (THRES+1))/2^{CKDIV}$
- If BRSRCCLK = 1:  $CLDIV = ((t_{low} - (THRES+1) * t_{\text{peripheral clock}})/t_{\text{ext\_ck}})/2^{CKDIV}$

### 37.10.50 TWI Status Register

**Name:** FLEX\_TWI\_SR  
**Offset:** 0x620  
**Reset:** 0x00000000  
**Property:** Read-only

If enabled in the SFR module (default is disabled), a debugger read access does not clear the clear-on-read flags.

Bit	31	30	29	28	27	26	25	24
						SR	SDA	SCL
Access						R	R	R
Reset						0	0	0
Bit	23	22	21	20	19	18	17	16
	LOCK		SMBHHM	SMBDAM	PECERR	TOUT	SMBAF	MCACK
Access	R		R	R	R	R	R	R
Reset	0		0	0	0	0	0	0
Bit	15	14	13	12	11	10	9	8
					EOSACC	SCLWS	ARBLST	NACK
Access					R	R	R	R
Reset					0	0	0	0
Bit	7	6	5	4	3	2	1	0
	UNRE	OVRE	GACC	SVACC	SVREAD	TXRDY	RXRDY	TXCOMP
Access	R	R	R	R	R	R	R	R
Reset	0	0	0	0	0	0	0	0

#### Bit 26 – SR Start Repeated

Value	Description
0	No repeated start has been detected since last FLEX_TWI_SR read.
1	At least one repeated start has been detected since last FLEX_TWI_SR read.

#### Bit 25 – SDA SDA Line Value

Value	Description
0	SDA line sampled value is '0'.
1	SDA line sampled value is '1'.

#### Bit 24 – SCL SCL Line Value

Value	Description
0	SCL line sampled value is '0'.
1	SCL line sampled value is '1'.

#### Bit 23 – LOCK TWI Lock Due to Frame Errors

Value	Description
0	The TWI is not locked.
1	The TWI is locked due to frame errors (see <a href="#">37.9.3.12. Handling Errors in Alternative Command</a> and <a href="#">37.9.6. TWI FIFOs</a> ).

#### Bit 21 – SMBHHM SMBus Host Header Address Match (cleared on read)

Value	Description
0	No SMBus Host Header Address received.
1	A SMBus Host Header Address was received.

**Bit 20 – SMBDAM** SMBus Default Address Match (cleared on read)

Value	Description
0	No SMBus Default Address received.
1	A SMBus Default Address was received.

**Bit 19 – PECERR** PEC Error (cleared on read)

Value	Description
0	No SMBus PEC error occurred.
1	A SMBus PEC error occurred.

**Bit 18 – TOUT** Timeout Error (cleared on read)

Value	Description
0	No SMBus timeout occurred.
1	SMBus timeout occurred.

**Bit 17 – SMBAF** SMBus Alert Flag (cleared on read)

Value	Description
0	No SMBus slave drives the SMBALERT line.
1	At least one SMBus slave drives the SMBALERT line.

**Bit 16 – MACK** Master Code Acknowledge (cleared on read)

MACK used in Slave mode:

Value	Description
0	No master code has been received.
1	A master code has been received.

**Bit 11 – EOSACC** End Of Slave Access (cleared on read)

This bit is only used in Slave mode.

EOSACC behavior can be seen in figures [Repeated Start and Reversal from Read Mode to Write Mode](#) and [Repeated Start and Reversal from Write Mode to Read Mode](#).

Value	Description
0	A slave access is being performing.
1	The Slave Access is finished. End Of Slave Access is automatically set as soon as SVACC is reset.

**Bit 10 – SCLWS** Clock Wait State

This bit is only used in Slave mode.

SCLWS behavior can be seen in figures [Clock Stretching in Read Mode](#) and [Clock Stretching in Write Mode](#).

Value	Description
0	The clock is not stretched.
1	The clock is stretched. FLEX_TWI_THR / FLEX_TWI_RHR buffer is not filled / emptied before the transmission / reception of a new character.

**Bit 9 – ARBLST** Arbitration Lost (cleared on read)

This bit is only used in Master mode.

Value	Description
0	Arbitration won.
1	Arbitration lost. Another master of the TWI bus has won the multi-master arbitration. TXCOMP is set at the same time.

**Bit 8 – NACK** Not Acknowledged (cleared on read)

NACK used in Master mode:

0: Each data byte has been correctly received by the far-end side TWI slave component.

1: A data or address byte has not been acknowledged by the slave component. Set at the same time as TXCOMP.

NACK used in Slave Read mode:

0: Each data byte has been correctly received by the master.



1: In Read mode, a data byte has not been acknowledged by the master. When NACK is set, the user must not fill FLEX\_TWI\_THR even if TXRDY is set, because it means that the master will stop the data transfer or reinitiate it..

Note that in Slave Write mode, all data are acknowledged by the TWI.

#### Bit 7 – UNRE Underrun Error (cleared on read)

This bit is only used in Slave mode if clock stretching is disabled.

Value	Description
0	FLEX_TWI_THR has been filled on time.
1	FLEX_TWI_THR has not been filled on time.

#### Bit 6 – OVRE Overrun Error (cleared on read)

This bit is only used in Slave mode if clock stretching is disabled.

Value	Description
0	FLEX_TWI_RHR has not been loaded while RXRDY was set.
1	FLEX_TWI_RHR has been loaded while RXRDY was set. Reset by read in FLEX_TWI_SR when TXCOMP is set.

#### Bit 5 – GACC General Call Access (cleared on read)

This bit is only used in Slave mode.

GACC behavior can be seen in figure [Master Performs a General Call](#).

Value	Description
0	No general call has been detected.
1	A general call has been detected. After the detection of general call, if need be, the user may acknowledge this access and decode the following bytes and respond according to the value of the bytes.

#### Bit 4 – SVACC Slave Access

This bit is only used in Slave mode.

SVACC behavior can be seen in figures [Read Access Ordered by a Master](#), [Write Access Ordered by a Master](#), [Repeated Start and Reversal from Read Mode to Write Mode](#) and [Repeated Start and Reversal from Write Mode to Read Mode](#).

Value	Description
0	TWI is not addressed. SVACC is automatically cleared after a NACK or a STOP condition is detected.
1	Indicates that the address decoding sequence has matched (a master has sent SADR). SVACC remains high until a NACK or a STOP condition is detected.

#### Bit 3 – SVREAD Slave Read

This bit is only used in Slave mode. When SVACC is low (no slave access has been detected) SVREAD is irrelevant.

SVREAD behavior can be seen in figures [Read Access Ordered by a Master](#), [Write Access Ordered by a Master](#), [Repeated Start and Reversal from Read Mode to Write Mode](#) and [Repeated Start and Reversal from Write Mode to Read Mode](#).

Value	Description
0	Indicates that a write access is performed by a master.
1	Indicates that a read access is performed by a master.

#### Bit 2 – TXRDY Transmit Holding Register Ready (cleared by writing FLEX\_TWI\_THR)

TXRDY used in Master mode:

0: The transmit holding register has not been transferred into the internal shifter. Set to 0 when writing into FLEX\_TWI\_THR.

1: As soon as a data byte is transferred from FLEX\_TWI\_THR to internal shifter or if a NACK error is detected, TXRDY is set at the same time as TXCOMP and NACK. TXRDY is also set when MSEN is set (enables TWI).

TXRDY behavior in Master mode can be seen in figures [Master Write with One Data Byte](#), [Master Write with Multiple Data Bytes](#) and [Master Write with One Byte Internal Address and Multiple Data Bytes](#).

TXRDY used in Slave mode:

0: As soon as data is written in FLEX\_TWI\_THR, until this data has been transmitted and acknowledged (ACK or NACK).

1: Indicates that FLEX\_TWI\_THR is empty and that data has been transmitted and acknowledged.

If TXRDY is high and if a NACK has been detected, the transmission will be stopped. Thus when TRDY = NACK = 1, the user must not fill FLEX\_TWI\_THR to avoid losing it.

TXRDY behavior in Slave mode can be seen in figures [Read Access Ordered by a Master](#), [Clock Stretching in Read Mode](#), [Repeated Start and Reversal from Read Mode to Write Mode](#) and [Repeated Start and Reversal from Write Mode to Read Mode](#).

When FIFOs are enabled:

0: Transmit FIFO is full and cannot accept more data.

1: Transmit FIFO is not full; one or more data can be written according to TXRDYM field configuration.

TXRDY behavior with FIFOs enabled is illustrated in [TXRDY and RXRDY Behavior](#).

#### **Bit 1 – RXRDY** Receive Holding Register Ready (cleared when reading FLEX\_TWI\_RHR)

When FIFOs are disabled:

0: No character has been received since the last FLEX\_TWI\_RHR read operation.

1: A byte has been received in FLEX\_TWI\_RHR since the last read.

RXRDY behavior in Master mode can be seen in figure [Master Read with Multiple Data Bytes](#).

RXRDY behavior in Slave mode can be seen in figures [Write Access Ordered by a Master](#), [Clock Stretching in Write Mode](#), [Repeated Start and Reversal from Read Mode to Write Mode](#) and [Repeated Start and Reversal from Write Mode to Read Mode](#).

When FIFOs are enabled:

0: Receive FIFO is empty; no data to read.

1: At least one unread data is in the Receive FIFO.

RXRDY behavior with FIFO enabled is illustrated in [TXRDY and RXRDY Behavior](#).

#### **Bit 0 – TXCOMP** Transmission Completed (cleared by writing FLEX\_TWI\_THR)

TXCOMP used in Master mode:

0: During the length of the current frame.

1: When both the holding register and the internal shifter are empty and STOP condition has been sent.

TXCOMP behavior in Master mode can be seen in figures [Master Write with One Byte Internal Address and Multiple Data Bytes](#) and [Master Read with Multiple Data Bytes](#).

TXCOMP used in Slave mode:

0: As soon as a Start is detected.

1: After a Stop or a Repeated Start + an address different from SADR is detected.

TXCOMP behavior in Slave mode can be seen in figures [Clock Stretching in Read Mode](#), [Clock Stretching in Write Mode](#), [Repeated Start and Reversal from Read Mode to Write Mode](#) and [Repeated Start and Reversal from Write Mode to Read Mode](#).

**37.10.51 TWI Status Register (FIFO ENABLED)**

**Name:** FLEX\_TWI\_SR (FIFO\_ENABLED)  
**Offset:** 0x620  
**Reset:** 0x0300F009  
**Property:** Read-only

If FIFO is enabled (FLEX\_US\_CR.FIFOEN bit), see [TWI Multiple Data Mode](#) for details.

If enabled in the SFR module (default is disabled), a debugger read access does not clear the clear-on-read flags.

Bit	31	30	29	28	27	26	25	24
						SR	SDA	SCL
Access						R	R	R
Reset						0	1	1
Bit	23	22	21	20	19	18	17	16
	TXFLOCK		SMBHHM	SMBDAM	PECERR	TOUT	SMBAF	MACK
Access	R		R	R	R	R	R	R
Reset	0		0	0	0	0	0	0
Bit	15	14	13	12	11	10	9	8
					EOSACC	SCLWS	ARBLST	NACK
Access					R	R	R	R
Reset					0	0	0	0
Bit	7	6	5	4	3	2	1	0
	UNRE	OVRE	GACC	SVACC	SVREAD	TXRDY	RXRDY	TXCOMP
Access	R	R	R	R	R	R	R	R
Reset	0	0	0	0	1	0	0	1

**Bit 26 – SR** Start Repeated

Value	Description
0	No repeated start has been detected since last FLEX_TWI_SR read.
1	At least one repeated start has been detected since last FLEX_TWI_SR read.

**Bit 25 – SDA** SDA Line Value

Value	Description
0	SDA line sampled value is '0'.
1	SDA line sampled value is '1'.

**Bit 24 – SCL** SCL Line Value

Value	Description
0	SCL line sampled value is '0'.
1	SCL line sampled value is '1'.

**Bit 23 – TXFLOCK** Transmit FIFO Lock

Value	Description
0	The Transmit FIFO is not locked.
1	The Transmit FIFO is locked.

**Bit 21 – SMBHHM** SMBus Host Header Address Match (cleared on read)

Value	Description
0	No SMBus Host Header Address received.
1	A SMBus Host Header Address was received.

**Bit 20 – SMBDAM** SMBus Default Address Match (cleared on read)

Value	Description
0	No SMBus Default Address received.
1	A SMBus Default Address was received.

**Bit 19 – PECERR** PEC Error (cleared on read)

Value	Description
0	No SMBus PEC error occurred.
1	A SMBus PEC error occurred.

**Bit 18 – TOUT** Timeout Error (cleared on read)

Value	Description
0	No SMBus timeout occurred.
1	SMBus timeout occurred.

**Bit 17 – SMBAF** SMBus Alert Flag (cleared on read)

Value	Description
0	No SMBus slave drives the SMBALERT line.
1	At least one SMBus slave drives the SMBALERT line.

**Bit 16 – MACK** Master Code Acknowledge (cleared on read)

MACK used in Slave mode:

Value	Description
0	No master code has been received.
1	A master code has been received.

**Bit 11 – EOSACC** End Of Slave Access (cleared on read)

This bit is only used in Slave mode.

EOSACC behavior can be seen in figures [Repeated Start and Reversal from Read Mode to Write Mode](#) and [Repeated Start and Reversal from Write Mode to Read Mode](#).

Value	Description
0	A Slave Access is being performed.
1	The Slave Access is finished. End Of Slave Access is automatically set as soon as SVACC is reset.

**Bit 10 – SCLWS** Clock Wait State

This bit is only used in Slave mode.

SCLWS behavior can be seen in figures [Clock Stretching in Read Mode](#) and [Clock Stretching in Write Mode](#).

Value	Description
0	The clock is not stretched.
1	The clock is stretched. FLEX_TWI_THR / FLEX_TWI_RHR buffer is not filled / emptied before the transmission / reception of a new character.

**Bit 9 – ARBLST** Arbitration Lost (cleared on read)

This bit is only used in Master mode.

Value	Description
0	Arbitration won.
1	Arbitration lost. Another master of the TWI bus has won the multi-master arbitration. TXCOMP is set at the same time.

**Bit 8 – NACK** Not Acknowledged (cleared on read)

NACK used in Master mode:

0: Each data byte has been correctly received by the far-end side TWI slave component.

1: A data or address byte has not been acknowledged by the slave component. Set at the same time as TXCOMP.

NACK used in Slave Read mode:

0: Each data byte has been correctly received by the master.

1: In Read mode, a data byte has not been acknowledged by the master. When NACK is set the user must not fill FLEX\_TWI\_THR even if TXRDY is set, because it means that the master will stop the data transfer or re initiate it.

Note that in Slave Write mode all data are acknowledged by the TWI.

#### Bit 7 – UNRE Underrun Error (cleared on read)

This bit is only used in Slave mode if clock stretching is disabled.

Value	Description
0	FLEX_TWI_THR has been filled on time.
1	FLEX_TWI_THR has not been filled on time.

#### Bit 6 – OVRE Overrun Error (cleared on read)

This bit is only used in Slave mode if clock stretching is disabled.

Value	Description
0	FLEX_TWI_RHR has not been loaded while RXRDY was set.
1	FLEX_TWI_RHR has been loaded while RXRDY was set. Reset by read in FLEX_TWI_SR when TXCOMP is set.

#### Bit 5 – GACC General Call Access (cleared on read)

This bit is only used in Slave mode.

GACC behavior can be seen in figure [Master Performs a General Call](#).

Value	Description
0	No general call has been detected.
1	A general call has been detected. After the detection of general call, if need be, the user may acknowledge this access and decode the following bytes and respond according to the value of the bytes.

#### Bit 4 – SVACC Slave Access

This bit is only used in Slave mode.

SVACC behavior can be seen in figures [Read Access Ordered by a Master](#), [Write Access Ordered by a Master](#), [Repeated Start and Reversal from Read Mode to Write Mode](#) and [Repeated Start and Reversal from Write Mode to Read Mode](#).

Value	Description
0	TWI is not addressed. SVACC is automatically cleared after a NACK or a STOP condition is detected.
1	Indicates that the address decoding sequence has matched (a master has sent SADR). SVACC remains high until a NACK or a STOP condition is detected.

#### Bit 3 – SVREAD Slave Read

This bit is only used in Slave mode. When SVACC is low (no slave access has been detected) SVREAD is irrelevant.

SVREAD behavior can be seen in figures [Read Access Ordered by a Master](#), [Write Access Ordered by a Master](#), [Repeated Start and Reversal from Read Mode to Write Mode](#) and [Repeated Start and Reversal from Write Mode to Read Mode](#).

Value	Description
0	Indicates that a write access is performed by a master.
1	Indicates that a read access is performed by a master.

#### Bit 2 – TXRDY Transmit Holding Register Ready (cleared by writing FLEX\_TWI\_THR)

TXRDY used in Master mode:

0: The transmit holding register has not been transferred into the internal shifter. Set to 0 when writing into FLEX\_TWI\_THR.

1: As soon as a data byte is transferred from FLEX\_TWI\_THR to internal shifter or if a NACK error is detected, TXRDY is set at the same time as TXCOMP and NACK. TXRDY is also set when MSEN is set (enables TWI).

TXRDY behavior in Master mode can be seen in figures [Master Write with One Data Byte](#), [Master Write with Multiple Data Bytes](#) and [Master Write with One Byte Internal Address and Multiple Data Bytes](#).

TXRDY used in Slave mode:

0: As soon as data is written in FLEX\_TWI\_THR, until this data has been transmitted and acknowledged (ACK or NACK).

1: Indicates that FLEX\_TWI\_THR is empty and that data has been transmitted and acknowledged.

If TXRDY is high and if a NACK has been detected, the transmission will be stopped. Thus when TRDY = NACK = 1, the user must not fill FLEX\_TWI\_THR to avoid losing it.

TXRDY behavior in Slave mode can be seen in figures [Read Access Ordered by a Master](#), [Clock Stretching in Read Mode](#), [Repeated Start and Reversal from Read Mode to Write Mode](#) and [Repeated Start and Reversal from Write Mode to Read Mode](#).

When FIFOs are enabled:

0: Transmit FIFO is full and cannot accept more data.

1: Transmit FIFO is not full; one or more data can be written according to TXRDYM field configuration.

TXRDY behavior with FIFOs enabled is illustrated in [TXRDY and RXRDY Behavior](#).

#### **Bit 1 – RXRDY** Receive Holding Register Ready (cleared when reading FLEX\_TWI\_RHR)

When FIFOs are disabled:

0: No character has been received since the last FLEX\_TWI\_RHR read operation.

1: A byte has been received in FLEX\_TWI\_RHR since the last read.

RXRDY behavior in Master mode can be seen in figure [Master Read with Multiple Data Bytes](#).

RXRDY behavior in Slave mode can be seen in figures [Write Access Ordered by a Master](#), [Clock Stretching in Write Mode](#), [Repeated Start and Reversal from Read Mode to Write Mode](#) and [Repeated Start and Reversal from Write Mode to Read Mode](#).

When FIFOs are enabled:

0: Receive FIFO is empty; no data to read.

1: At least one unread data is in the Receive FIFO.

RXRDY behavior with FIFO enabled is illustrated in [TXRDY and RXRDY Behavior](#).

#### **Bit 0 – TXCOMP** Transmission Completed (cleared by writing FLEX\_TWI\_THR)

TXCOMP used in Master mode:

0: During the length of the current frame.

1: When both holding register and internal shifter are empty and STOP condition has been sent.

TXCOMP behavior in Master mode can be seen in figures [Master Write with One Byte Internal Address and Multiple Data Bytes](#) and [Master Read with Multiple Data Bytes](#).

TXCOMP used in Slave mode:

0: As soon as a Start is detected.

1: After a Stop or a Repeated Start + an address different from SADR is detected.

TXCOMP behavior in Slave mode can be seen in figures [Clock Stretching in Read Mode](#), [Clock Stretching in Write Mode](#), [Repeated Start and Reversal from Read Mode to Write Mode](#) and [Repeated Start and Reversal from Write Mode to Read Mode](#).

### 37.10.52 TWI Interrupt Enable Register

**Name:** FLEX\_TWI\_IER  
**Offset:** 0x624  
**Reset:** -  
**Property:** Write-only

This register can only be written if the WPITEN bit is cleared in the [TWI Write Protection Mode Register](#).

The following configuration values are valid for all listed bit names of this register:

0: No effect.

1: Enables the corresponding interrupt.

Bit	31	30	29	28	27	26	25	24
Access								
Reset								
Bit	23	22	21	20	19	18	17	16
Access			SMBHHM	SMBDAM	PECERR	TOUT		MCAACK
Reset			W	W	W	W		W
Reset			-	-	-	-		-
Bit	15	14	13	12	11	10	9	8
Access	TXBUFE	RXBUFF	ENDTX	ENDRX	EOSACC	SCL_WS	ARBLST	NACK
Reset	W	W	W	W	W	W	W	W
Reset	-	-	-	-	-	-	-	-
Bit	7	6	5	4	3	2	1	0
Access	UNRE	OVRE	GACC	SVACC		TXRDY	RXRDY	TXCOMP
Reset	W	W	W	W		W	W	W
Reset	-	-	-	-		-	-	-

**Bit 21 – SMBHHM** SMBus Host Header Address Match Interrupt Enable

**Bit 20 – SMBDAM** SMBus Default Address Match Interrupt Enable

**Bit 19 – PECERR** PEC Error Interrupt Enable

**Bit 18 – TOUT** Timeout Error Interrupt Enable

**Bit 16 – MCAACK** Master Code Acknowledge Interrupt Enable

**Bit 15 – TXBUFE** Transmit Buffer Empty Interrupt Enable

**Bit 14 – RXBUFF** Receive Buffer Full Interrupt Enable

**Bit 13 – ENDTX** End of Transmit Buffer Interrupt Enable

**Bit 12 – ENDRX** End of Receive Buffer Interrupt Enable

**Bit 11 – EOSACC** End Of Slave Access Interrupt Enable

- Bit 10 – SCL\_WS** Clock Wait State Interrupt Enable
- Bit 9 – ARBLST** Arbitration Lost Interrupt Enable
- Bit 8 – NACK** Not Acknowledge Interrupt Enable
- Bit 7 – UNRE** Underrun Error Interrupt Enable
- Bit 6 – OVRE** Overrun Error Interrupt Enable
- Bit 5 – GACC** General Call Access Interrupt Enable
- Bit 4 – SVACC** Slave Access Interrupt Enable
- Bit 2 – TXRDY** Transmit Holding Register Ready Interrupt Enable
- Bit 1 – RXRDY** Receive Holding Register Ready Interrupt Enable
- Bit 0 – TXCOMP** Transmission Completed Interrupt Enable



### 37.10.53 TWI Interrupt Disable Register

**Name:** FLEX\_TWI\_IDR  
**Offset:** 0x628  
**Reset:** -  
**Property:** Write-only

This register can only be written if the WPITEN bit is cleared in the [TWI Write Protection Mode Register](#).

The following configuration values are valid for all listed bit names of this register:

0: No effect.

1: Disables the corresponding interrupt.

Bit	31	30	29	28	27	26	25	24
Access								
Reset								
Bit	23	22	21	20	19	18	17	16
Access			SMBHHM	SMBDAM	PECERR	TOUT		MCAACK
Reset			W	W	W	W		W
Reset			-	-	-	-		-
Bit	15	14	13	12	11	10	9	8
Access	TXBUFE	RXBUFF	ENDTX	ENDRX	EOSACC	SCL_WS	ARBLST	NACK
Reset	W	W	W	W	W	W	W	W
Reset	-	-	-	-	-	-	-	-
Bit	7	6	5	4	3	2	1	0
Access	UNRE	OVRE	GACC	SVACC		TXRDY	RXRDY	TXCOMP
Reset	W	W	W	W		W	W	W
Reset	-	-	-	-		-	-	-

**Bit 21 – SMBHHM** SMBus Host Header Address Match Interrupt Disable

**Bit 20 – SMBDAM** SMBus Default Address Match Interrupt Disable

**Bit 19 – PECERR** PEC Error Interrupt Disable

**Bit 18 – TOUT** Timeout Error Interrupt Disable

**Bit 16 – MCAACK** Master Code Acknowledge Interrupt Disable

**Bit 15 – TXBUFE** Transmit Buffer Empty Interrupt Disable

**Bit 14 – RXBUFF** Receive Buffer Full Interrupt Disable

**Bit 13 – ENDTX** End of Transmit Buffer Interrupt Disable

**Bit 12 – ENDRX** End of Receive Buffer Interrupt Disable

**Bit 11 – EOSACC** End Of Slave Access Interrupt Disable

- Bit 10 – SCL\_WS** Clock Wait State Interrupt Disable
- Bit 9 – ARBLST** Arbitration Lost Interrupt Disable
- Bit 8 – NACK** Not Acknowledge Interrupt Disable
- Bit 7 – UNRE** Underrun Error Interrupt Disable
- Bit 6 – OVRE** Overrun Error Interrupt Disable
- Bit 5 – GACC** General Call Access Interrupt Disable
- Bit 4 – SVACC** Slave Access Interrupt Disable
- Bit 2 – TXRDY** Transmit Holding Register Ready Interrupt Disable
- Bit 1 – RXRDY** Receive Holding Register Ready Interrupt Disable
- Bit 0 – TXCOMP** Transmission Completed Interrupt Disable

### 37.10.54 TWI Interrupt Mask Register

**Name:** FLEX\_TWI\_IMR  
**Offset:** 0x62C  
**Reset:** 0x00000000  
**Property:** Read-only

The following configuration values are valid for all listed bit names of this register:

0: The corresponding interrupt is disabled.

1: The corresponding interrupt is enabled.

Bit	31	30	29	28	27	26	25	24
Access								
Reset								
Bit	23	22	21	20	19	18	17	16
Access			SMBHHM	SMBDAM	PECERR	TOUT		MCAACK
Reset			R	R	R	R		R
Reset			0	0	0	0		0
Bit	15	14	13	12	11	10	9	8
Access	TXBUFE	RXBUFFER	ENDTX	ENDRX	EOSACC	SCL_WS	ARBLST	NACK
Reset	R	R	R	R	R	R	R	R
Reset	0	0	0	0	0	0	0	0
Bit	7	6	5	4	3	2	1	0
Access	UNRE	OVRE	GACC	SVACC		TXRDY	RXRDY	TXCOMP
Reset	R	R	R	R		R	R	R
Reset	0	0	0	0		0	0	0

**Bit 21 – SMBHHM** SMBus Host Header Address Match Interrupt Mask

**Bit 20 – SMBDAM** SMBus Default Address Match Interrupt Mask

**Bit 19 – PECERR** PEC Error Interrupt Mask

**Bit 18 – TOUT** Timeout Error Interrupt Mask

**Bit 16 – MCAACK** Master Code Acknowledge Interrupt Mask

**Bit 15 – TXBUFE** Transmit Buffer Empty Interrupt Mask

**Bit 14 – RXBUFFER** Receive Buffer Full Interrupt Mask

**Bit 13 – ENDTX** End of Transmit Buffer Interrupt Mask

**Bit 12 – ENDRX** End of Receive Buffer Interrupt Mask

**Bit 11 – EOSACC** End Of Slave Access Interrupt Mask

**Bit 10 – SCL\_WS** Clock Wait State Interrupt Mask

- Bit 9 – ARBLST** Arbitration Lost Interrupt Mask
- Bit 8 – NACK** Not Acknowledge Interrupt Mask
- Bit 7 – UNRE** Underrun Error Interrupt Mask
- Bit 6 – OVRE** Overrun Error Interrupt Mask
- Bit 5 – GACC** General Call Access Interrupt Mask
- Bit 4 – SVACC** Slave Access Interrupt Mask
- Bit 2 – TXRDY** Transmit Holding Register Ready Interrupt Mask
- Bit 1 – RXRDY** Receive Holding Register Ready Interrupt Mask
- Bit 0 – TXCOMP** Transmission Completed Interrupt Mask

### 37.10.55 TWI Receive Holding Register

**Name:** FLEX\_TWI\_RHR  
**Offset:** 0x630  
**Reset:** 0x00000000  
**Property:** Read-only

If FIFO is enabled (FLEX\_TWI\_CR.FIFOEN bit) and FLEX\_TWI\_FMR.RXRDYM = 0, see [TWI Single Data Mode](#) for details.

If enabled in the SFR module (default is disabled), a debugger read access does not clear the FLEX\_TWI\_SR.RXRDY flag.

Bit	31	30	29	28	27	26	25	24
Access								
Reset								
Bit	23	22	21	20	19	18	17	16
Access								
Reset								
Bit	15	14	13	12	11	10	9	8
Access				ASTATE[1:0]		PSTATE	SSTATE[1:0]	
Reset				R	R	R	R	R
Reset				0	0	0	0	0
Bit	7	6	5	4	3	2	1	0
Access	RXDATA[7:0]							
Reset	R	R	R	R	R	R	R	R
Reset	0	0	0	0	0	0	0	0

#### Bits 12:11 – ASTATE[1:0] Acknowledge State (Slave Sniffer Mode only)

Value	Name	Description
0	NONE	No Acknowledge or Nacknowledge detected after previously logged data
1	ACK	Acknowledge (A) detected after previously logged data
2	NACK	Nacknowledge (NA) detected after previously logged data
3	UNDEF	Not defined

#### Bit 10 – PSTATE Stop State (Slave Sniffer Mode only)

Value	Description
0	No STOP (P) detected after previous logged data.
1	Stop detected (P) after previous logged data.

#### Bits 9:8 – SSTATE[1:0] Start State (Slave Sniffer Mode only)

Value	Name	Description
0	NOSTART	No START detected with the logged data
1	START	START (S) detected with the logged data
2	RSTART	Repeated START (Sr) detected with the logged data
3	UNDEF	Not defined

#### Bits 7:0 – RXDATA[7:0] Master or Slave Receive Holding Data

**37.10.56 TWI Receive Holding Register (FIFO Enabled)****Name:** FLEX\_TWI\_RHR (FIFO\_ENABLED)**Offset:** 0x630**Reset:** 0x00000000**Property:** Read-only

If FIFO is enabled (FLEX\_TWI\_CR.FIFOEN bit) and FLEX\_TWI\_FMR.RXRDYM > 0, see [TWI Multiple Data Mode](#) for details.

If enabled in the SFR module (default is disabled), a debugger read access does not modify the Receive FIFO.

Bit	31	30	29	28	27	26	25	24
	RXDATA3[7:0]							
Access	R	R	R	R	R	R	R	R
Reset	0	0	0	0	0	0	0	0
Bit	23	22	21	20	19	18	17	16
	RXDATA2[7:0]							
Access	R	R	R	R	R	R	R	R
Reset	0	0	0	0	0	0	0	0
Bit	15	14	13	12	11	10	9	8
	RXDATA1[7:0]							
Access	R	R	R	R	R	R	R	R
Reset	0	0	0	0	0	0	0	0
Bit	7	6	5	4	3	2	1	0
	RXDATA0[7:0]							
Access	R	R	R	R	R	R	R	R
Reset	0	0	0	0	0	0	0	0

**Bits 31:24 – RXDATA3[7:0]** Master or Slave Receive Holding Data 3**Bits 23:16 – RXDATA2[7:0]** Master or Slave Receive Holding Data 2**Bits 15:8 – RXDATA1[7:0]** Master or Slave Receive Holding Data 1**Bits 7:0 – RXDATA0[7:0]** Master or Slave Receive Holding Data 0

### 37.10.57 TWI Transmit Holding Register

**Name:** FLEX\_TWI\_THR

**Offset:** 0x634

**Reset:** -

**Property:** Write-only

If FIFO is enabled (FIFOEN bit in FLEX\_TWI\_CR) and FLEX\_TWI\_FMR.TXRDYM = 0, see [TWI Single Data Mode](#) for details.

Bit	31	30	29	28	27	26	25	24
Access								
Reset								
Bit	23	22	21	20	19	18	17	16
Access								
Reset								
Bit	15	14	13	12	11	10	9	8
Access								
Reset								
Bit	7	6	5	4	3	2	1	0
Access	W	W	W	W	W	W	W	W
Reset	-	-	-	-	-	-	-	-

**Bits 7:0 - TXDATA[7:0]** Master or Slave Transmit Holding Data

**37.10.58 TWI Transmit Holding Register (FIFO Enabled)****Name:** FLEX\_TWI\_THR (FIFO\_ENABLED)**Offset:** 0x634**Reset:** -**Property:** Write-only

If FIFO is enabled (FLEX\_US\_CR.FIFOEN bit) and FLEX\_TWI\_FMR.TXRDYM > 0, see [TWI Multiple Data Mode](#) for details.

Bit	31	30	29	28	27	26	25	24
	TXDATA3[7:0]							
Access	W	W	W	W	W	W	W	W
Reset	-	-	-	-	-	-	-	-
Bit	23	22	21	20	19	18	17	16
	TXDATA2[7:0]							
Access	W	W	W	W	W	W	W	W
Reset	-	-	-	-	-	-	-	-
Bit	15	14	13	12	11	10	9	8
	TXDATA1[7:0]							
Access	W	W	W	W	W	W	W	W
Reset	-	-	-	-	-	-	-	-
Bit	7	6	5	4	3	2	1	0
	TXDATA0[7:0]							
Access	W	W	W	W	W	W	W	W
Reset	-	-	-	-	-	-	-	-

**Bits 31:24 – TXDATA3[7:0]** Master or Slave Transmit Holding Data 3**Bits 23:16 – TXDATA2[7:0]** Master or Slave Transmit Holding Data 2**Bits 15:8 – TXDATA1[7:0]** Master or Slave Transmit Holding Data 1**Bits 7:0 – TXDATA0[7:0]** Master or Slave Transmit Holding Data 0



## 37.10.59 TWI SMBus Timing Register

**Name:** FLEX\_TWI\_SMBTR  
**Offset:** 0x638  
**Reset:** 0x00000000  
**Property:** Read/Write

Bit	31	30	29	28	27	26	25	24
	THMAX[7:0]							
Access	R/W	R/W	R/W	R/W	R/W	R/W	R/W	R/W
Reset	0	0	0	0	0	0	0	0
Bit	23	22	21	20	19	18	17	16
	TLOWM[7:0]							
Access	R/W	R/W	R/W	R/W	R/W	R/W	R/W	R/W
Reset	0	0	0	0	0	0	0	0
Bit	15	14	13	12	11	10	9	8
	TLOWS[7:0]							
Access	R/W	R/W	R/W	R/W	R/W	R/W	R/W	R/W
Reset	0	0	0	0	0	0	0	0
Bit	7	6	5	4	3	2	1	0
	PRESC[3:0]							
Access					R/W	R/W	R/W	R/W
Reset					0	0	0	0

**Bits 31:24 – THMAX[7:0]** Clock High Maximum Cycles

Clock cycles in clock high maximum count. Prescaled by PRESC. Used for bus free detection. Used to time THIGH:MAX.

**Bits 23:16 – TLOWM[7:0]** Master Clock Stretch Maximum Cycles

Value	Description
0	TLOW:MEXT timeout check disabled.
1–255	Clock cycles in master maximum clock stretch count. Prescaled by PRESC. Used to time TLOW:MEXT.

**Bits 15:8 – TLOWS[7:0]** Slave Clock Stretch Maximum Cycles

Value	Description
0	TLOW:SEXT timeout check disabled.
1–255	Clock cycles in slave maximum clock stretch count. Prescaled by PRESC. Used to time TLOW:SEXT.

**Bits 3:0 – PRESC[3:0]** SMBus Clock Prescaler

Used to specify how to prescale the TLOWS, TLOWM and THMAX counters in SMBTR. Counters are prescaled according to the following formula:  $PRESC = \text{Log}(fMCK / f_{\text{Prescaled}}) / \text{Log}(2) - 1$

## 37.10.60 TWI Alternative Command Register

**Name:** FLEX\_TWI\_ACR  
**Offset:** 0x640  
**Reset:** 0x00000000  
**Property:** Read/Write

Bit	31	30	29	28	27	26	25	24
							NPEC	NDIR
Access							R/W	R/W
Reset							0	0
Bit	23	22	21	20	19	18	17	16
	NDATAL[7:0]							
Access	R/W	R/W	R/W	R/W	R/W	R/W	R/W	R/W
Reset	0	0	0	0	0	0	0	0
Bit	15	14	13	12	11	10	9	8
							PEC	DIR
Access							R/W	R/W
Reset							0	0
Bit	7	6	5	4	3	2	1	0
	DATAL[7:0]							
Access	R/W	R/W	R/W	R/W	R/W	R/W	R/W	R/W
Reset	0	0	0	0	0	0	0	0

**Bit 25 – NPEC** Next PEC Request (SMBus Mode only)

Value	Description
0	The next transfer does not use a PEC byte.
1	The next transfer uses a PEC byte.

**Bit 24 – NDIR** Next Transfer Direction

Value	Description
0	Write direction.
1	Read direction.

**Bits 23:16 – NDATAL[7:0]** Next Data Length

Value	Description
0	No data to send (see 37.9.3.11. <a href="#">Alternative Command</a> ).
1–255	Number of bytes to send for the next transfer.

**Bit 9 – PEC** PEC Request (SMBus Mode only)

Value	Description
0	The transfer does not use a PEC byte.
1	The transfer uses a PEC byte.

**Bit 8 – DIR** Transfer Direction

Value	Description
0	Write direction.
1	Read direction.

**Bits 7:0 – DATAL[7:0]** Data Length

Value	Description
0	No data to send (see <a href="#">37.9.3.11. Alternative Command</a> ).
1–255	Number of bytes to send during the transfer.

## 37.10.61 TWI Filter Register

**Name:** FLEX\_TWI\_FILTR  
**Offset:** 0x644  
**Reset:** 0x00000000  
**Property:** Read/Write

Bit	31	30	29	28	27	26	25	24
Access								
Reset								
Bit	23	22	21	20	19	18	17	16
Access								
Reset								
Bit	15	14	13	12	11	10	THRES[2:0]	
Access						R/W	R/W	R/W
Reset						0	0	0
Bit	7	6	5	4	3	2	1	0
Access							PADFEN	FILT
Reset							R/W	R/W
							0	0

**Bits 10:8 – THRES[2:0]** Digital Filter Threshold

Value	Description
0	No filtering applied on TWI inputs.
1–7	Maximum pulse width of spikes which will be suppressed by the input filter, defined in peripheral clock cycles.

**Bit 1 – PADFEN** PAD Filter Enable

Value	Description
0	PAD analog filter is disabled.
1	PAD analog filter is enabled. (The analog filter must be enabled if High-speed mode is enabled.)

**Bit 0 – FILT** RX Digital Filter

TWI digital input filtering follows a majority decision based on three samples from SDA/SCL lines at peripheral clock frequency.

Value	Description
0	No filtering applied on TWI inputs.
1	TWI input filtering is active. (Only in Standard and Fast modes)

### 37.10.62 TWI FIFO Mode Register

**Name:** FLEX\_TWI\_FMR  
**Offset:** 0x650  
**Reset:** 0x00000000  
**Property:** Read/Write

This register reads '0' if the FIFO is disabled (see FLEX\_TWI\_CR to enable/disable the internal FIFO).  
 This register can only be written if the WPEN bit is cleared in the [TWI Write Protection Mode Register](#).

Bit	31	30	29	28	27	26	25	24
	RXFTHRES[5:0]							
Access			R/W	R/W	R/W	R/W	R/W	R/W
Reset			0	0	0	0	0	0
Bit	23	22	21	20	19	18	17	16
	TXFTHRES[5:0]							
Access			R/W	R/W	R/W	R/W	R/W	R/W
Reset			0	0	0	0	0	0
Bit	15	14	13	12	11	10	9	8
Access								
Reset								
Bit	7	6	5	4	3	2	1	0
			RXRDYM[1:0]				TXRDYM[1:0]	
Access			R/W	R/W			R/W	R/W
Reset			0	0			0	0

#### Bits 29:24 – RXFTHRES[5:0] Receive FIFO Threshold

Value	Description
0–8	Defines the Receive FIFO threshold value (number of data). The FLEX_TWI_FSR.RXFTH flag will be set when Receive FIFO goes from “below” threshold state to “equal to or above” threshold state.

#### Bits 21:16 – TXFTHRES[5:0] Transmit FIFO Threshold

Value	Description
0–8	Defines the Transmit FIFO threshold value (number of data). The FLEX_TWI_FSR.TXFTH flag will be set when Transmit FIFO goes from “above” threshold state to “equal to or below” threshold state.

#### Bits 5:4 – RXRDYM[1:0] Receiver Ready Mode

If FIFOs are enabled, the FLEX\_TWI\_SR.RXRDY flag behaves as follows.

Value	Name	Description
0	ONE_DATA	RXRDY will be at level '1' when at least one unread data is in the Receive FIFO
1	TWO_DATA	RXRDY will be at level '1' when at least two unread data are in the Receive FIFO
2	FOUR_DATA	RXRDY will be at level '1' when at least four unread data are in the Receive FIFO

#### Bits 1:0 – TXRDYM[1:0] Transmitter Ready Mode

If FIFOs are enabled, the FLEX\_TWI\_SR.TXRDY flag behaves as follows.

Value	Name	Description
0	ONE_DATA	TXRDY will be at level '1' when at least one data can be written in the Transmit FIFO
1	TWO_DATA	TXRDY will be at level '1' when at least two data can be written in the Transmit FIFO
2	FOUR_DATA	TXRDY will be at level '1' when at least four data can be written in the Transmit FIFO

### 37.10.63 TWI FIFO Level Register

**Name:** FLEX\_TWI\_FLR  
**Offset:** 0x654  
**Reset:** 0x00000000  
**Property:** Read-only

This register reads '0' if the FIFO is disabled (see FLEX\_TWI\_CR to enable/disable the internal FIFO).

Bit	31	30	29	28	27	26	25	24
Access								
Reset								

Bit	23	22	21	20	19	18	17	16
Access			RXFL[5:0]					
Reset			R	R	R	R	R	R
Reset			0	0	0	0	0	0

Bit	15	14	13	12	11	10	9	8
Access								
Reset								

Bit	7	6	5	4	3	2	1	0
Access			TXFL[5:0]					
Reset			R	R	R	R	R	R
Reset			0	0	0	0	0	0

#### Bits 21:16 – RXFL[5:0] Receive FIFO Level

Value	Description
0	There is no unread data in the Receive FIFO.
1–8	Indicates the number of unread data in the Receive FIFO.

#### Bits 5:0 – TXFL[5:0] Transmit FIFO Level

Value	Description
0	There is no data in the Transmit FIFO.
1–8	Indicates the number of data in the Transmit FIFO.

### 37.10.64 TWI FIFO Status Register

**Name:** FLEX\_TWI\_FSR  
**Offset:** 0x660  
**Reset:** 0x00000000  
**Property:** Read-only

This register reads '0' if the FIFO is disabled (see FLEX\_TWI\_CR to enable/disable the internal FIFO)

Bit	31	30	29	28	27	26	25	24
Access								
Reset								
Bit	23	22	21	20	19	18	17	16
Access								
Reset								
Bit	15	14	13	12	11	10	9	8
Access								
Reset								
Bit	7	6	5	4	3	2	1	0
Access	R	R	R	R	R	R	R	R
Reset	0	0	0	0	0	0	0	0

#### Bit 7 - RXFPTEF Receive FIFO Pointer Error Flag

See [37.9.6.10. FIFO Pointer Error](#) for details.

Value	Description
0	No Receive FIFO pointer occurred.
1	Receive FIFO pointer error occurred. Receiver must be reset.

#### Bit 6 - TXFPTEF Transmit FIFO Pointer Error Flag

See [37.9.6.10. FIFO Pointer Error](#) for details.

Value	Description
0	No Transmit FIFO pointer occurred.
1	Transmit FIFO pointer error occurred. Transceiver must be reset.

#### Bit 5 - RXFTHF Receive FIFO Threshold Flag

Value	Description
0	Number of unread data in Receive FIFO is below RXFTHRES threshold.
1	Number of unread data in Receive FIFO has reached RXFTHRES threshold since the last read of FLEX_TWI_FSR.

#### Bit 4 - RXFFF Receive FIFO Full Flag

Value	Description
0	Receive FIFO is not empty.
1	Receive FIFO has been filled since the last read of FLEX_TWI_FSR.

#### Bit 3 - RXFEF Receive FIFO Empty Flag

Value	Description
0	Receive FIFO is not empty.
1	Receive FIFO has been emptied since the last read of FLEX_TWI_FSR.

**Bit 2 – TXFTHF** Transmit FIFO Threshold Flag (cleared on read)

Value	Description
0	Number of data in Transmit FIFO is above TXFTHRES threshold.
1	Number of data in Transmit FIFO has reached TXFTHRES threshold since the last read of FLEX_TWI_FSR.

**Bit 1 – TXFFF** Transmit FIFO Full Flag (cleared on read)

Value	Description
0	Transmit FIFO is not full.
1	Transmit FIFO has been filled since the last read of FLEX_TWI_FSR.

**Bit 0 – TXFEF** Transmit FIFO Empty Flag (cleared on read)

Value	Description
0	Transmit FIFO is not empty.
1	Transmit FIFO has been emptied since the last read of FLEX_TWI_FSR.



### 37.10.65 TWI FIFO Interrupt Enable Register

**Name:** FLEX\_TWI\_FIER  
**Offset:** 0x664  
**Reset:** -  
**Property:** Write-only

This register can only be written if the WPITEN bit is cleared in the [TWI Write Protection Mode Register](#).

Bit	31	30	29	28	27	26	25	24
Access								
Reset								
Bit	23	22	21	20	19	18	17	16
Access								
Reset								
Bit	15	14	13	12	11	10	9	8
Access								
Reset								
Bit	7	6	5	4	3	2	1	0
Access	RXFPTEF	TXFPTEF	RXFTHF	RXFFF	RXFEF	TXFTHF	TXFFF	TXFEF
Reset	W	W	W	W	W	W	W	W
Reset	-	-	-	-	-	-	-	-

**Bit 7 - RXFPTEF** RXFPTEF Interrupt Enable

**Bit 6 - TXFPTEF** TXFPTEF Interrupt Enable

**Bit 5 - RXFTHF** RXFTHF Interrupt Enable

**Bit 4 - RXFFF** RXFFF Interrupt Enable

**Bit 3 - RXFEF** RXFEF Interrupt Enable

**Bit 2 - TXFTHF** TXFTHF Interrupt Enable

**Bit 1 - TXFFF** TXFFF Interrupt Enable

**Bit 0 - TXFEF** TXFEF Interrupt Enable

### 37.10.66 TWI FIFO Interrupt Disable Register

**Name:** FLEX\_TWI\_FIDR  
**Offset:** 0x668  
**Reset:** -  
**Property:** Write-only

This register can only be written if the WPITEN bit is cleared in the [TWI Write Protection Mode Register](#).

Bit	31	30	29	28	27	26	25	24
Access								
Reset								
Bit	23	22	21	20	19	18	17	16
Access								
Reset								
Bit	15	14	13	12	11	10	9	8
Access								
Reset								
Bit	7	6	5	4	3	2	1	0
Access	RXFPTEF	TXFPTEF	RXFTHF	RXFFF	RXFEF	TXFTHF	TXFFF	TXFEF
Reset	W	W	W	W	W	W	W	W
Reset	-	-	-	-	-	-	-	-

**Bit 7 - RXFPTEF** RXFPTEF Interrupt Disable

**Bit 6 - TXFPTEF** TXFPTEF Interrupt Disable

**Bit 5 - RXFTHF** RXFTHF Interrupt Disable

**Bit 4 - RXFFF** RXFFF Interrupt Disable

**Bit 3 - RXFEF** RXFEF Interrupt Disable

**Bit 2 - TXFTHF** TXFTHF Interrupt Disable

**Bit 1 - TXFFF** TXFFF Interrupt Disable

**Bit 0 - TXFEF** TXFEF Interrupt Disable

### 37.10.67 TWI FIFO Interrupt Mask Register

**Name:** FLEX\_TWI\_FIMR  
**Offset:** 0x66C  
**Reset:** 0x00000000  
**Property:** Read-only

This register reads '0' if the FIFO is disabled (see FLEX\_TWI\_CR to enable/disable the internal FIFO).

Bit	31	30	29	28	27	26	25	24
Access								
Reset								

Bit	23	22	21	20	19	18	17	16
Access								
Reset								

Bit	15	14	13	12	11	10	9	8
Access								
Reset								

Bit	7	6	5	4	3	2	1	0
Access	R	R	R	R	R	R	R	R
Reset	0	0	0	0	0	0	0	0

**Bit 7 - RXFPTEF** RXFPTEF Interrupt Mask

**Bit 6 - TXFPTEF** TXFPTEF Interrupt Mask

**Bit 5 - RXFTHF** RXFTHF Interrupt Mask

**Bit 4 - RXFFF** RXFFF Interrupt Mask

**Bit 3 - RXFEF** RXFEF Interrupt Mask

**Bit 2 - TXFTHF** TXFTHF Interrupt Mask

**Bit 1 - TXFFF** TXFFF Interrupt Mask

**Bit 0 - TXFEF** TXFEF Interrupt Mask

**37.10.68 TWI Write Protection Mode Register**

**Name:** FLEX\_TWI\_WPMR  
**Offset:** 0x6E4  
**Reset:** 0x00000000  
**Property:** Read/Write

Bit	31	30	29	28	27	26	25	24
	WPKEY[23:16]							
Access	W	W	W	W	W	W	W	W
Reset	0	0	0	0	0	0	0	0
Bit	23	22	21	20	19	18	17	16
	WPKEY[15:8]							
Access	W	W	W	W	W	W	W	W
Reset	0	0	0	0	0	0	0	0
Bit	15	14	13	12	11	10	9	8
	WPKEY[7:0]							
Access	W	W	W	W	W	W	W	W
Reset	0	0	0	0	0	0	0	0
Bit	7	6	5	4	3	2	1	0
						WPCREN	WPITEN	WPEN
Access						R/W	R/W	R/W
Reset						0	0	0

**Bits 31:8 – WPKEY[23:0] Write Protection Key**

Value	Name	Description
0x545749	PASSWD	Writing any other value in this field aborts the write operation of bits WPEN, WPITEN and WPCREN. Always reads as 0.

**Bit 2 – WPCREN Write Protection Control Enable**

Value	Description
0	Disables the write protection on control register if WPKEY corresponds to 0x545749 ("TWI" in ASCII).
1	Enables the write protection on control register if WPKEY corresponds to 0x545749 ("TWI" in ASCII).

**Bit 1 – WPITEN Write Protection Interrupt Enable**

Value	Description
0	Disables the write protection on interrupt registers if WPKEY corresponds to 0x545749 ("TWI" in ASCII).
1	Enables the write protection on interrupt registers if WPKEY corresponds to 0x545749 ("TWI" in ASCII).

**Bit 0 – WPEN Write Protection Enable**

See [TWI Register Write Protection](#) for the list of registers that can be write-protected.

Value	Description
0	Disables the write protection if WPKEY corresponds to 0x545749 ("TWI" in ASCII).
1	Enables the write protection if WPKEY corresponds to 0x545749 ("TWI" in ASCII).

**37.10.69 TWI Write Protection Status Register**

**Name:** FLEX\_TWI\_WPSR  
**Offset:** 0x6E8  
**Reset:** 0x00000000  
**Property:** Read-only

If enabled in the SFR module (default is disabled), a debugger read access does not clear the WPVS flag.

Bit	31	30	29	28	27	26	25	24
	WPVSR[23:16]							
Access	R	R	R	R	R	R	R	R
Reset	0	0	0	0	0	0	0	0
Bit	23	22	21	20	19	18	17	16
	WPVSR[15:8]							
Access	R	R	R	R	R	R	R	R
Reset	0	0	0	0	0	0	0	0
Bit	15	14	13	12	11	10	9	8
	WPVSR[7:0]							
Access	R	R	R	R	R	R	R	R
Reset	0	0	0	0	0	0	0	0
Bit	7	6	5	4	3	2	1	0
								WPVS
Access								R
Reset								0

**Bits 31:8 – WPVSR[23:0] Write Protection Violation Source**

When WPVS = 1, WPVSR indicates the register address offset at which a write access has been attempted.

**Bit 0 – WPVS Write Protect Violation Status**

Value	Description
0	No Write Protection Violation has occurred since the last read of FLEX_TWI_WPSR.
1	A Write Protection Violation has occurred since the last read of FLEX_TWI_WPSR. If this violation is an unauthorized attempt to write a protected register, the associated violation is reported into field WPVSR.

## 38. Controller Area Network (MCAN)

### 38.1 Description

The Controller Area Network (MCAN) performs communication according to ISO 11898-1:2015 and to Bosch CAN FD specification. Additional transceiver hardware is required for connection to the physical layer.

All functions concerning the handling of messages are implemented by the Rx Handler and the Tx Handler. The Rx Handler manages message acceptance filtering, the transfer of received messages from the CAN core to the Message RAM, as well as providing receive message status information. The Tx Handler is responsible for the transfer of transmit messages from the Message RAM to the CAN core, as well as providing transmit status information.

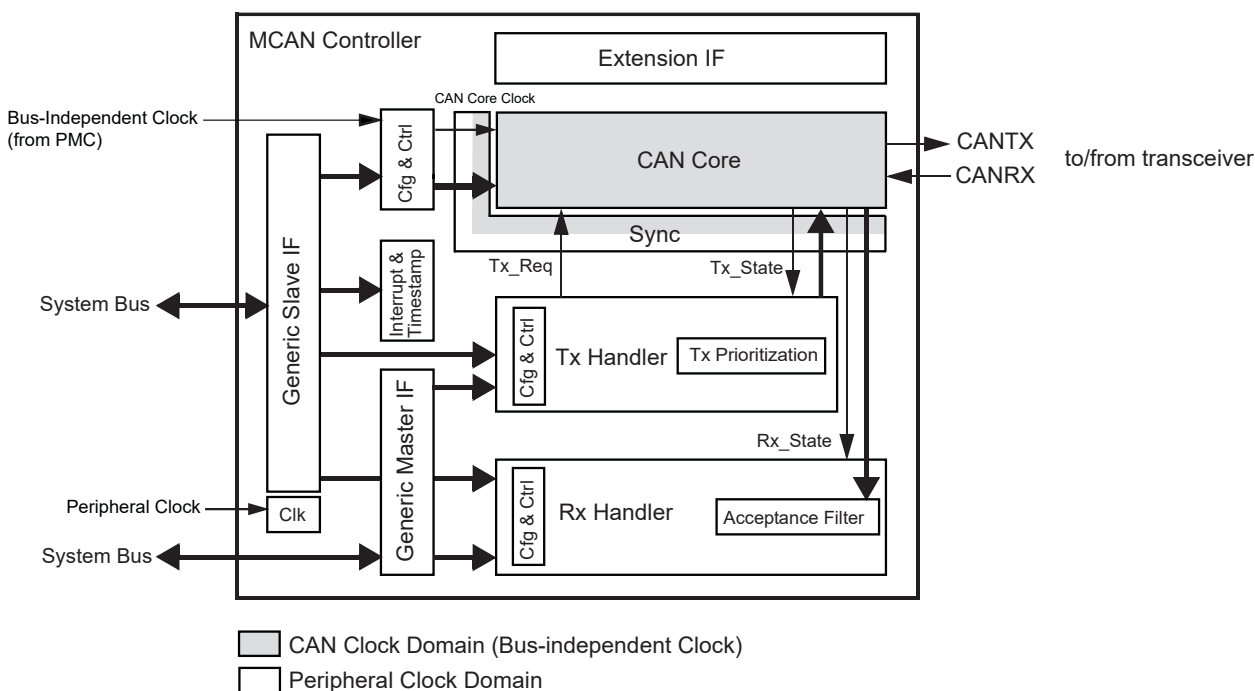
Acceptance filtering is implemented by a combination of up to 128 filter elements, where each element can be configured as a range, as a bit mask, or as a dedicated ID filter.

### 38.2 Embedded Characteristics

- Compliant with CAN Protocol Version 2.0 Part A, B and ISO 11898-1
- CAN FD with up to 64 Data Bytes Supported
- CAN Error Logging
- AUTOSAR Optimized
- SAE J1939 Optimized
- Improved Acceptance Filtering
- Two Configurable Receive FIFOs
- Separate Signalling on Reception of High Priority Messages
- Up to 64 Dedicated Receive Buffers
- Up to 32 Dedicated Transmit Buffers
- Configurable Transmit FIFO
- Configurable Transmit Queue
- Configurable Transmit Event FIFO
- Direct Message RAM Access for Processor
- Multiple MCANs May Share the Same Message RAM
- Programmable Loop-back Test Mode
- Maskable Module Interrupts
- Support for Asynchronous CAN and System Bus Clocks
- Power-down Support
- Debug on CAN Support

## 38.3 Block Diagram

Figure 38-1. MCAN Block Diagram



**Note:** Refer to section “Power Management Controller (PMC)” for details about the bus-independent clock (GCLK).

## 38.4 Product Dependencies

### 38.4.1 I/O Lines

The pins used to interface to the compliant external devices can be multiplexed with PIO lines. The programmer must first program the PIO controllers to assign the CAN pins to their peripheral functions.

### 38.4.2 Power Management

The MCAN can be clocked through the Power Management Controller (PMC), thus the programmer must first configure the PMC to enable the MCAN clock.

In order to achieve a stable function of the MCAN, the system bus clock must always be faster than or equal to the CAN clock.

It is recommended to use the CAN clock at frequencies of 20, 40 or 80 MHz. To achieve these frequencies, PMC GCLK must select PLLA OR PLLB and the appropriate divider. GCLK allows the system bus and processor clock to be modified without affecting the bit rate communication.

### 38.4.3 Interrupt Sources

The two MCAN interrupt lines (MCAN\_INT0, MCAN\_INT1) are connected on internal sources of the Interrupt Controller.

Using the MCAN interrupts requires the Interrupt Controller to be programmed first.

Interrupt sources can be routed either to MCAN\_INT0 or to MCAN\_INT1. By default, all interrupt sources are routed to interrupt line MCAN\_INT0/1. By programming MCAN\_ILE.EINT0 and MCAN\_ILE.EINT1, the interrupt sources can be enabled or disabled separately.

### 38.4.4 Address Configuration

The LSBs [bits 15:2] for each section of the CAN Message RAM are configured in the respective buffer configuration registers as detailed in [Message RAM](#).

The MSBs [bits 31:16] of the CAN Message RAM for CAN0 and CAN1 are configured SFR\_CANx registers.

### 38.4.5 Timestamping

Timestamping uses the value of CV in the Timer Counter channel 0 register (TC\_CV0). TC0 may use the generic clock (GCLK) from the Power Management Controller. Refer to the section “Timer Counter (TC)” for more details about clock source selection.

## 38.5 Functional Description

### 38.5.1 Operating Modes

#### 38.5.1.1 Software Initialization

Software initialization is started by setting bit MCAN\_CCCR.INIT, either by software or by a hardware reset, when an uncorrected bit error was detected in the Message RAM, or by going Bus\_Off. While MCAN\_CCCR.INIT is set, message transfer from and to the CAN bus is stopped and the status of the CAN bus output CANTX is recessive (HIGH). The counters of the Error Management Logic EML are unchanged. Setting MCAN\_CCCR.INIT does not change any configuration register. Resetting MCAN\_CCCR.INIT finishes the software initialization. Afterwards the Bit Stream Processor BSP synchronizes itself to the data transfer on the CAN bus by waiting for the occurrence of a sequence of 11 consecutive recessive bits ( $\equiv$  Bus\_Idle) before it can take part in bus activities and start the message transfer.

Access to the MCAN configuration registers is only enabled when both bits MCAN\_CCCR.INIT and MCAN\_CCCR.CCE are set (protected write).

MCAN\_CCCR.CCE can only be configured when MCAN\_CCCR.INIT = '1'. MCAN\_CCCR.CCE is automatically cleared when MCAN\_CCCR.INIT = '0'.

The following registers are cleared when MCAN\_CCCR.CCE = '1':

- High Priority Message Status (MCAN\_HPMS)
- Receive FIFO 0 Status (MCAN\_RXF0S)
- Receive FIFO 1 Status (MCAN\_RXF1S)
- Transmit FIFO/Queue Status (MCAN\_TXFQS)
- Transmit Buffer Request Pending (MCAN\_TXBRP)
- Transmit Buffer Transmission Occurred (MCAN\_TXBTO)
- Transmit Buffer Cancellation Finished (MCAN\_TXBCF)
- Transmit Event FIFO Status (MCAN\_TXEFS)

The Timeout Counter value MCAN\_TOCV.TOC is loaded with the value configured by MCAN\_TOCC.TOP when MCAN\_CCCR.CCE = '1'.

In addition, the state machines of the Tx Handler and Rx Handler are held in idle state while MCAN\_CCCR.CCE = '1'.

The following registers are only writeable while MCAN\_CCCR.CCE = '0'

- Transmit Buffer Add Request (MCAN\_TXBAR)
- Transmit Buffer Cancellation Request (MCAN\_TXBCR)



MCAN\_CCCR.TEST and MCAN\_CCCR.MON can only be set when MCAN\_CCCR.INIT = '1' and MCAN\_CCCR.CCE = '1'. Both bits may be cleared at any time. MCAN\_CCCR.DAR can only be configured when MCAN\_CCCR.INIT = '1' and MCAN\_CCCR.CCE = '1'.

### 38.5.1.2 Normal Operation

Once the MCAN is initialized and MCAN\_CCCR.INIT is cleared, the MCAN synchronizes itself to the CAN bus and is ready for communication.

After passing the acceptance filtering, received messages including Message ID and DLC are stored into a dedicated Rx Buffer or into Rx FIFO 0 or Rx FIFO 1.

For messages to be transmitted, dedicated Tx Buffers and/or a Tx FIFO or a Tx Queue can be initialized or updated. Automated transmission on reception of remote frames is not implemented.

### 38.5.1.3 CAN FD Operation

There are two variants in the CAN FD frame format, first the CAN FD frame without bit rate switching where the data field of a CAN frame may be longer than 8 bytes. The second variant is the CAN FD frame where control field, data field, and CRC field of a CAN frame are transmitted with a higher bit rate than the beginning and the end of the frame.

The previously reserved bit in CAN frames with 11-bit identifiers and the first previously reserved bit in CAN frames with 29-bit identifiers will now be decoded as FDF bit. FDF = recessive signifies a CAN FD frame, FDF = dominant signifies a Classic CAN frame. In a CAN FD frame, the two bits following FDF, res and BRS, decide whether the bit rate inside of this CAN FD frame is switched. A CAN FD bit rate switch is signified by res = dominant and BRS = recessive. The coding of res = recessive is reserved for future expansion of the protocol. In case the MCAN receives a frame with FDF = recessive and res = recessive, it will signal a Protocol Exception Event by setting bit MCAN\_PSR.PXE. When Protocol Exception Handling is enabled (MCAN\_CCCR.PXHD = 0), this causes the operation state to change from Receiver (MCAN\_PSR.ACT = 2) to Integrating (MCAN\_PSR.ACT = 00) at the next sample point. In case Protocol Exception Handling is disabled (MCAN\_CCCR.PXHD = 1), the MCAN will treat a recessive res bit as a form error and will respond with an error frame.

CAN FD operation is enabled by programming CCCR.FDOE. In case CCCR.FDOE = '1', transmission and reception of CAN FD frames is enabled. Transmission and reception of Classic CAN frames is always possible. Whether a CAN FD frame or a Classic CAN frame is transmitted can be configured via bit FDF in the respective Tx Buffer element. With CCCR.FDOE = '0', received frames are interpreted as Classic CAN frames, which leads to the transmission of an error frame when receiving a CAN FD frame. When CAN FD operation is disabled, no CAN FD frames are transmitted even if bit FDF of a Tx Buffer element is set. CCCR.FDOE and CCCR.BRSE can only be changed while CCCR.INIT and CCCR.CCE are both set.

With MCAN\_CCCR.FDOE = 0, the setting of bits FDF and BRS is ignored and frames are transmitted in Classic CAN format. With MCAN\_CCCR.FDOE = 1 and MCAN\_CCCR.BRSE = 0, only bit FDF of a Tx Buffer element is evaluated. With MCAN\_CCCR.FDOE = 1 and MCAN\_CCCR.BRSE = 1, transmission of CAN FD frames with bit rate switching is enabled. All Tx Buffer elements with bits FDF and BRS set are transmitted in CAN FD format with bit rate switching.

A mode change during CAN operation is only recommended under the following conditions:

- The failure rate in the CAN FD data phase is significant higher than in the CAN FD arbitration phase. In this case disable the CAN FD bit rate switching option for transmissions.
- During system startup all nodes are transmitting according to ISO11898-1 until it is verified that they are able to communicate in CAN FD format. If this is true, all nodes switch to CAN FD operation.
- Wake-up messages in CAN Partial Networking have to be transmitted in Classic CAN format.
- End-of-line programming in case not all nodes are CAN FD-capable. Non-CAN FD nodes are held in Silent mode until programming has completed. Then all nodes revert to Classic CAN communication.

In the CAN FD format, the coding of the DLC differs from the standard CAN format. The DLC codes 0 to 8 have the same coding as in standard CAN, the codes 9 to 15, which in standard CAN all code a data field of 8 bytes, are coded according to the table below.

**Table 38-1.** Coding of DLC in CAN FD

DLC	9	10	11	12	13	14	15
Number of Data Bytes	12	16	20	24	32	48	64

In CAN FD frames, the bit timing will be switched inside the frame, after the BRS (Bit Rate Switch) bit, if this bit is recessive. Before the BRS bit, in the CAN FD arbitration phase, the nominal CAN bit timing is used as defined by the Nominal Bit Timing and Prescaler register (MCAN\_NBTP). In the following CAN FD data phase, the data phase CAN bit timing is used as defined by the FastData Bit Timing and Prescaler register (MCAN\_DBTP). The bit timing reverts back from the data phase timing at the CRC delimiter or when an error is detected, whichever occurs first.

The maximum configurable bit rate in the CAN FD data phase depends on the CAN core clock frequency. Example: with a CAN clock frequency of 20 MHz and the shortest configurable bit time of  $4 t_q$ , the bit rate in the data phase is 5 Mbit/s.

In both data frame formats, CAN FD and CAN FD with bit rate switching, the value of the bit ESI (Error Status Indicator) is determined by the transmitter's error state at the start of the transmission. If the transmitter is error passive, ESI is transmitted recessive, else it is transmitted dominant.

### 38.5.1.4 Transmitter Delay Compensation

During the data phase of a CAN FD transmission only one node is transmitting, all others are receivers. The length of the bus line has no impact. When transmitting via pin CANTX the protocol controller receives the transmitted data from its local CAN transceiver via pin CANRX. The received data is delayed by the transmitter delay. In case this delay is greater than TSEG1 (time segment before sample point), a bit error is detected. In order to enable a data phase bit time that is even shorter than the transmitter delay, the delay compensation is introduced. Without delay compensation, the bit rate in the data phase of a CAN FD frame is limited by the delay.

#### 38.5.1.4.1 Description

The MCAN protocol unit has implemented a delay compensation mechanism to compensate the delay, thereby enabling transmission with higher bit rates during the CAN FD data phase independent of the delay of a specific CAN transceiver.

To check for bit errors during the data phase, the delayed transmit data is compared against the received data at the secondary sample point. If a bit error is detected, the transmitter will react to this bit error at the next following regular sample point. During arbitration phase the delay compensation is always disabled.

The transmitter delay compensation enables configurations where the data bit time is shorter than the transmitter delay, it is described in detail in the new ISO11898-1. It is enabled by setting bit MCAN\_DBTP.TDC.

The received bit is compared against the transmitted bit at the SSP. The SSP position is defined as the sum of the measured delay from the MCAN's transmit output CANTX through the transceiver to the receive input CANRX plus the transmitter delay compensation offset as configured by MCAN\_TDCR.TDCO. The transmitter delay compensation offset is used to adjust the position of the SSP inside the received bit (e.g. half of the bit time in the data phase). The position of the secondary sample point is rounded down to the next integer number of CAN core clock periods.

MCAN\_PSR.TDCV shows the actual transmitter delay compensation value. MCAN\_PSR.TDCV is cleared when MCAN\_CCCR.INIT is set and is updated at each transmission of an FD frame while MCAN\_DBTP.TDC is set.

The following boundary conditions have to be considered for the delay compensation implemented in the MCAN:

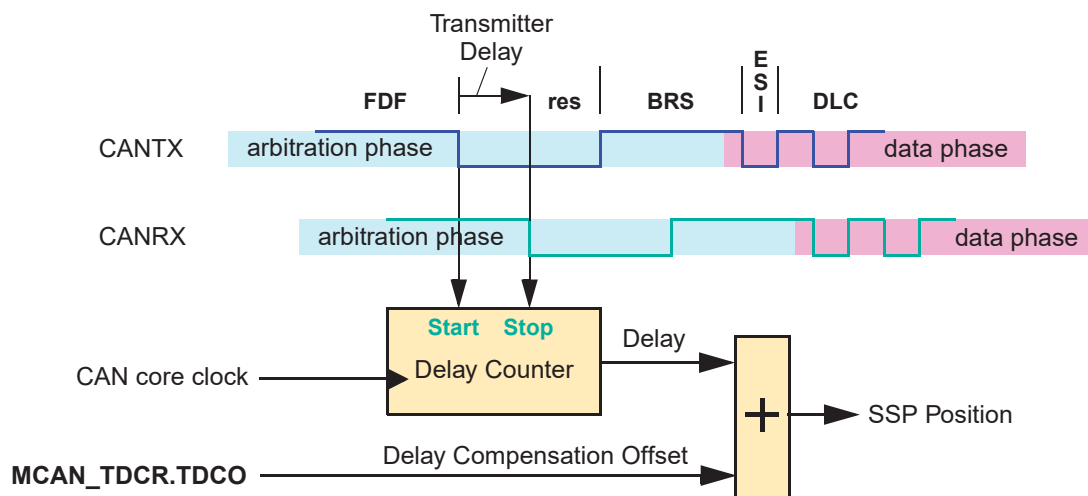
- The sum of the measured delay from CANTX to CANRX and the configured delay compensation offset MCAN\_TDCR.TDCO has to be less than 6 bit times in the data phase.
- The sum of the measured delay from CANTX to CANRX and the configured delay compensation offset MCAN\_TDCR.TDCO has to be less or equal 127 CAN core clock periods. In case this sum exceeds 127 CAN core clock periods, the maximum value of 127 CAN core clock periods is used for delay compensation.
- The data phase ends at the sample point of the CRC delimiter, that stops checking of receive bits at the SSPs.

#### 38.5.1.4.2 Transmitter Delay Measurement

If transmitter delay compensation is enabled by programming MCAN\_DBTP.TDC = '1', the measurement is started within each transmitted CAN FD frame at the falling edge of bit FDF to bit res. The measurement is stopped when this edge is seen at the receive input CANRX of the transmitter.

The resolution of this measurement is one mtq.

**Figure 38-2.** Transmitter Delay Measurement



To avoid that a dominant glitch inside the received FDF bit ends the delay compensation measurement before the falling edge of the received res bit, resulting in a too early SSP position, the use of a transmitter delay compensation filter window can be enabled by programming MCAN\_TDCR.TDCF.

This defines a minimum value for the SSP position. Dominant edges on CANRX, that would result in an earlier SSP position are ignored for transmitter delay measurement. The measurement is stopped when the SSP position is at least MCAN\_TDCR.TDCF AND CANRX is low.

#### 38.5.1.5 Restricted Operation Mode

In Restricted Operation mode, the node is able to receive data and remote frames and to give acknowledge to valid frames, but it does not send data frames, remote frames, active error frames, or overload frames. In case of an error condition or overload condition, it does not send dominant bits, instead it waits for the occurrence of bus idle condition to resynchronize itself to the CAN communication. The error counters are not incremented. The processor can set the MCAN into Restricted Operation mode by setting bit MCAN\_CCCR.ASM. The bit can only be set by the processor when both MCAN\_CCCR.CCE and MCAN\_CCCR.INIT are set to '1'. The bit can be reset by the processor at any time.

Restricted Operation mode is automatically entered when the Tx Handler was not able to read data from the Message RAM in time. To leave Restricted Operation mode, the processor has to reset MCAN\_CCCR.ASM.

The Restricted Operation mode can be used in applications that adapt themselves to different CAN bit rates. In this case the application tests different bit rates and leaves the Restricted Operation mode after it has received a valid frame.

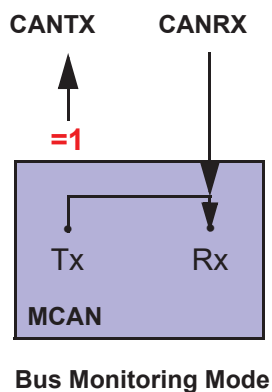
**Note:** The Restricted Operation Mode must not be combined with the Loop Back mode (internal or external).

### 38.5.1.6 Bus Monitoring Mode

The MCAN is set in Bus Monitoring mode by setting MCAN\_CCCR.MON. In Bus Monitoring mode (see ISO11898-1, 10.12 Bus monitoring), the MCAN is able to receive valid data frames and valid remote frames, but cannot start a transmission. In this mode, it sends only recessive bits on the CAN bus. If the MCAN is required to send a dominant bit (ACK bit, overload flag, active error flag), the bit is rerouted internally so that the MCAN monitors this dominant bit, although the CAN bus may remain in recessive state. In Bus Monitoring mode, the Tx Buffer Request Pending register (MCAN\_TXBRP) is held in reset state.

The Bus Monitoring mode can be used to analyze the traffic on a CAN bus without affecting it by the transmission of dominant bits. The figure below shows the connection of signals CANTX and CANRX to the MCAN in Bus Monitoring mode.

**Figure 38-3.** Pin Control in Bus Monitoring Mode



### 38.5.1.7 Disabled Automatic Retransmission

According to the CAN Specification (see ISO11898-1, 6.3.3 Recovery Management), the MCAN provides means for automatic retransmission of frames that have lost arbitration or that have been disturbed by errors during transmission. By default automatic retransmission is enabled. To support time-triggered communication as described in ISO 11898-1, chapter 9.2, the automatic retransmission may be disabled via MCAN\_CCCR.DAR.

#### 38.5.1.7.1 Frame Transmission in DAR Mode

In DAR mode, all transmissions are automatically cancelled after they start on the CAN bus. A Tx Buffer's Tx Request Pending bit TXBRP.TRPx is reset after successful transmission, when a transmission has not yet been started at the point of cancellation, has been aborted due to lost arbitration, or when an error occurred during frame transmission.

- Successful transmission:
  - Corresponding Tx Buffer Transmission Occurred bit MCAN\_TXBTO.TOx set
  - Corresponding Tx Buffer Cancellation Finished bit MCAN\_TXBCF.CFx not set
- Successful transmission in spite of cancellation:
  - Corresponding Tx Buffer Transmission Occurred bit MCAN\_TXBTO.TOx set
  - Corresponding Tx Buffer Cancellation Finished bit MCAN\_TXBCF.CFx set
- Arbitration lost or frame transmission disturbed:

- Corresponding Tx Buffer Transmission Occurred bit MCAN\_TXBTO.TOx not set
- Corresponding Tx Buffer Cancellation Finished bit MCAN\_TXBCF.CFx set

In case of a successful frame transmission, and if storage of Tx events is enabled, a Tx Event FIFO element is written with Event Type ET = “10” (transmission in spite of cancellation).

### 38.5.1.8 Power-down (Sleep Mode)

The MCAN can be set into Power-down mode via bit MCAN\_CCCR.CSR.

When all pending transmission requests have completed, the MCAN waits until bus idle state is detected. Then the MCAN sets MCAN\_CCCR.INIT to prevent any further CAN transfers. Now the MCAN acknowledges that it is ready for power down by setting to one the bit MCAN\_CCCR.CSA. In this state, before the clocks are switched off, further register accesses can be made. A write access to MCAN\_CCCR.INIT will have no effect. Now the bus clock (peripheral clock) and the CAN core clock may be switched off.

To leave Power-down mode, the application has to turn on the MCAN clocks before clearing CC Control Register flag MCAN\_CCCR.CSR. The MCAN will acknowledge this by clearing MCAN\_CCCR.CSA. The application can then restart CAN communication by clearing the bit CCCR.INIT.

### 38.5.1.9 Test Modes

To enable write access to the MCAN Test register (MCAN\_TEST) (see Section 7.6), bit MCAN\_CCCR.TEST must be set. This allows the configuration of the test modes and test functions.

Four output functions are available for the CAN transmit pin CANTX by programming MCAN\_TEST.TX. Additionally to its default function – the serial data output – it can drive the CAN Sample Point signal to monitor the MCAN's bit timing and it can drive constant dominant or recessive values. The actual value at pin CANRX can be read from MCAN\_TEST.RX. Both functions can be used to check the CAN bus' physical layer.

Due to the synchronization mechanism between CAN clock and system bus clock domain, there may be a delay of several system bus clock periods between writing to MCAN\_TEST.TX until the new configuration is visible at output pin CANTX. This applies also when reading input pin CANRX via MCAN\_TEST.RX.

**Note:** Test modes should be used for production tests or self-test only. The software control for pin CANTX interferes with all CAN protocol functions. It is not recommended to use test modes for application.

#### 38.5.1.9.1 External Loop Back Mode

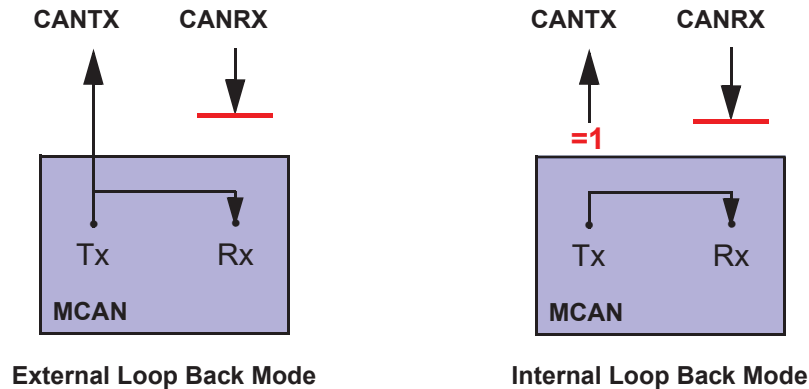
The MCAN can be set in External Loop Back mode by setting the bit MCAN\_TEST.LBCK. In Loop Back mode, the MCAN treats its own transmitted messages as received messages and stores them (if they pass acceptance filtering) into an Rx Buffer or an Rx FIFO. The figure below shows the connection of signals CANTX and CANRX to the MCAN in External Loop Back mode.

This mode is provided for hardware self-test. To be independent from external stimulation, the MCAN ignores acknowledge errors (recessive bit sampled in the acknowledge slot of a data/remote frame) in Loop Back mode. In this mode, the MCAN performs an internal feedback from its Tx output to its Rx input. The actual value of the CANRX input pin is disregarded by the MCAN. The transmitted messages can be monitored at the CANTX pin.

#### 38.5.1.9.2 Internal Loop Back Mode

Internal Loop Back mode is entered by setting bits MCAN\_TEST.LBCK and MCAN\_CCCR.MON. This mode can be used for a “Hot Selftest”, meaning the MCAN can be tested without affecting a running CAN system connected to the pins CANTX and CANRX. In this mode, pin CANRX is disconnected from the MCAN, and pin CANTX is held recessive. The figure below shows the connection of CANTX and CANRX to the MCAN when Internal Loop Back mode is enabled.

Figure 38-4. Pin Control in Loop Back Modes



### 38.5.2 Timestamp Generation

For timestamp generation, the MCAN supplies a 16-bit wrap-around counter. A prescaler TSCC.TCP can be configured to clock the counter in multiples of CAN bit times (1...16). The counter is readable via MCAN\_TSCV.TSC. A write access to the Timestamp Counter Value register (MCAN\_TSCV) resets the counter to zero. When the timestamp counter wraps around, the interrupt flag MCAN\_IR.TSW is set.

On start of frame reception / transmission, the counter value is captured and stored into the timestamp section of an Rx Buffer / Rx FIFO (RXTS[15:0]) or Tx Event FIFO (TXTS[15:0]) element.

By programming bit MCAN\_TSCC.TSS, an external 16-bit timestamp can be used. See Section 5.5 "Timestamping" for details.

### 38.5.3 Timeout Counter

To signal timeout conditions for Rx FIFO 0, Rx FIFO 1, and the Tx Event FIFO, the MCAN supplies a 16-bit Timeout Counter. It operates as down-counter and uses the same prescaler controlled by TSCC.TCP as the Timestamp Counter. The Timeout Counter is configured via the Timeout Counter Configuration register (MCAN\_TOCC). The actual counter value can be read from MCAN\_TOCV.TOC. The Timeout Counter can only be started while MCAN\_CCCR.INIT = '0'. It is stopped when MCAN\_CCCR.INIT = '1', e.g. when the MCAN enters Bus\_Off state.

The operating mode is selected by MCAN\_TOCC.TOS. When operating in Continuous mode, the counter starts when MCAN\_CCCR.INIT is reset. A write to MCAN\_TOCV presets the counter to the value configured by MCAN\_TOCC.TOP and continues down-counting.

When the Timeout Counter is controlled by one of the FIFOs, an empty FIFO presets the counter to the value configured by MCAN\_TOCC.TOP. Down-counting is started when the first FIFO element is stored. Writing to MCAN\_TOCV has no effect.

When the counter reaches zero, interrupt flag MCAN\_IR.TOO is set. In Continuous mode, the counter is immediately restarted at MCAN\_TOCC.TOP.

**Note:** The clock signal for the Timeout Counter is derived from the CAN Core's sample point signal. Therefore the point in time where the Timeout Counter is decremented may vary due to the synchronization / re-synchronization mechanism of the CAN Core. If the bit rate switch feature in CAN FD is used, the timeout counter is clocked differently in arbitration and data field.

### 38.5.4 Rx Handling

The Rx Handler controls the acceptance filtering, the transfer of received messages to the Rx Buffers or to one of the two Rx FIFOs, as well as the Rx FIFO's Put and Get Indices.

### 38.5.4.1 Acceptance Filtering

The MCAN offers the possibility to configure two sets of acceptance filters, one for standard identifiers and one for extended identifiers. These filters can be assigned to an Rx Buffer or to Rx FIFO 0,1. For acceptance filtering each list of filters is executed from element #0 until the first matching element. Acceptance filtering stops at the first matching element. The following filter elements are not evaluated for this message.

The main features are:

- Each filter element can be configured as
  - range filter (from - to)
  - filter for one or two dedicated IDs
  - classic bit mask filter
- Each filter element is configurable for acceptance or rejection filtering
- Each filter element can be enabled / disabled individually
- Filters are checked sequentially, execution stops with the first matching filter element

Related configuration registers are:

- Global Filter Configuration (MCAN\_GFC)
- Standard ID Filter Configuration (MCAN\_SIDFC)
- Extended ID Filter Configuration (MCAN\_XIDFC)
- Extended ID and Mask (MCAN\_XIDAM)

Depending on the configuration of the filter element (SFEC/EFEC) a match triggers one of the following actions:

- Store received frame in FIFO 0 or FIFO 1
- Store received frame in Rx Buffer
- Store received frame in Rx Buffer and generate pulse at filter event pin
- Reject received frame
- Set High Priority Message interrupt flag (MCAN\_IR.HPM)
- Set High Priority Message interrupt flag (MCAN\_IR.HPM) and store received frame in FIFO 0 or FIFO 1

Acceptance filtering is started after the complete identifier has been received. After acceptance filtering has completed, and if a matching Rx Buffer or Rx FIFO has been found, the Message Handler starts writing the received message data in portions of 32 bit to the matching Rx Buffer or Rx FIFO. If the CAN protocol controller has detected an error condition (e.g. CRC error), this message is discarded with the following impact on the effected Rx Buffer or Rx FIFO:

- Rx Buffer  
New Data flag of matching Rx Buffer is not set, but Rx Buffer (partly) overwritten with received data. For error type, see MCAN\_PSR.LEC and MCAN\_PSR.DLEC.
- Rx FIFO  
Put index of matching Rx FIFO is not updated, but related Rx FIFO element (partly) overwritten with received data. For error type, see MCAN\_PSR.LEC and MCAN\_PSR.DLEC. In case the matching Rx FIFO is operated in Overwrite mode, the boundary conditions described in [Rx FIFO Overwrite Mode](#) have to be considered.

**Note:** When an accepted message is written to one of the two Rx FIFOs, or into an Rx Buffer, the unmodified received identifier is stored independent of the filter(s) used. The result of the acceptance filter process is strongly depending on the sequence of configured filter elements.

### 38.5.4.1.1 Range Filter

The filter matches for all received frames with Message IDs in the range defined by SF1ID/SF2ID resp. EF1ID/EF2ID.

There are two possibilities when range filtering is used together with extended frames:

- EFT = "00": The Message ID of received frames is ANDed with MCAN\_XIDAM before the range filter is applied.
- EFT = "11": MCAN\_XIDAM is not used for range filtering.

### 38.5.4.1.2 Filter for Specific IDs

A filter element can be configured to filter for one or two specific Message IDs. To filter for one specific Message ID, the filter element has to be configured with SF1ID = SF2ID resp. EF1ID = EF2ID.

### 38.5.4.1.3 Classic Bit Mask Filter

Classic bit mask filtering is intended to filter groups of Message IDs by masking single bits of a received Message ID. With classic bit mask filtering SF1ID/EF1ID is used as Message ID filter, while SF2ID/EF2ID is used as filter mask.

A zero bit at the filter mask will mask out the corresponding bit position of the configured ID filter, e.g. the value of the received Message ID at that bit position is not relevant for acceptance filtering. Only those bits of the received Message ID where the corresponding mask bits are one are relevant for acceptance filtering.

In case all mask bits are one, a match occurs only when the received Message ID and the Message ID filter are identical. If all mask bits are zero, all Message IDs match.

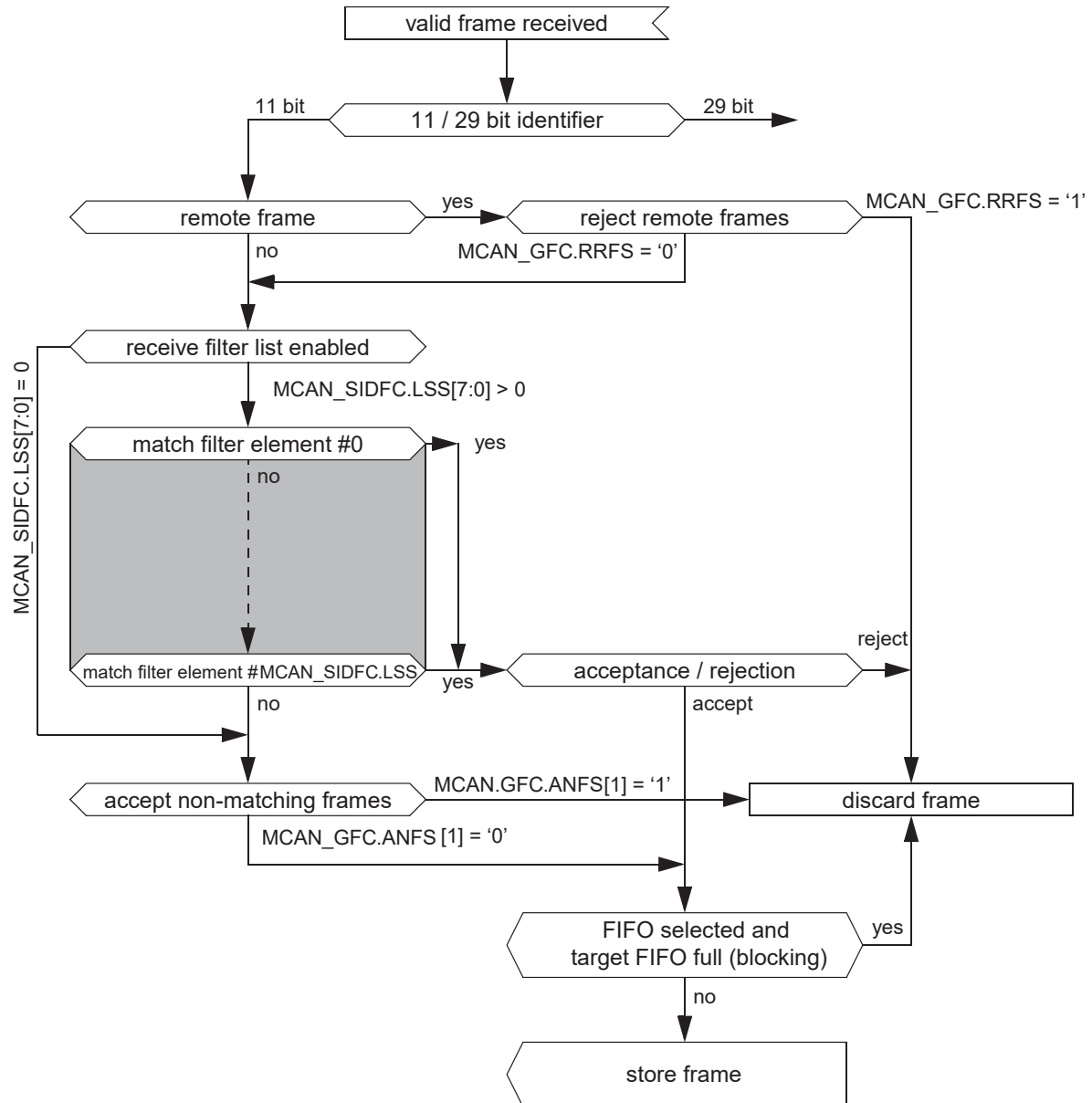
### 38.5.4.1.4 Standard Message ID Filtering

The figure below shows the flow for standard Message ID (11-bit Identifier) filtering. The Standard Message ID Filter element is described in [38.5.7.5. Standard Message ID Filter Element](#).

Controlled by MCAN\_GFC and MCAN\_SIDFC Message ID, Remote Transmission Request bit (RTR), and the Identifier Extension bit (IDE) of received frames are compared against the list of configured filter elements.



Figure 38-5. Standard Message ID Filter Path



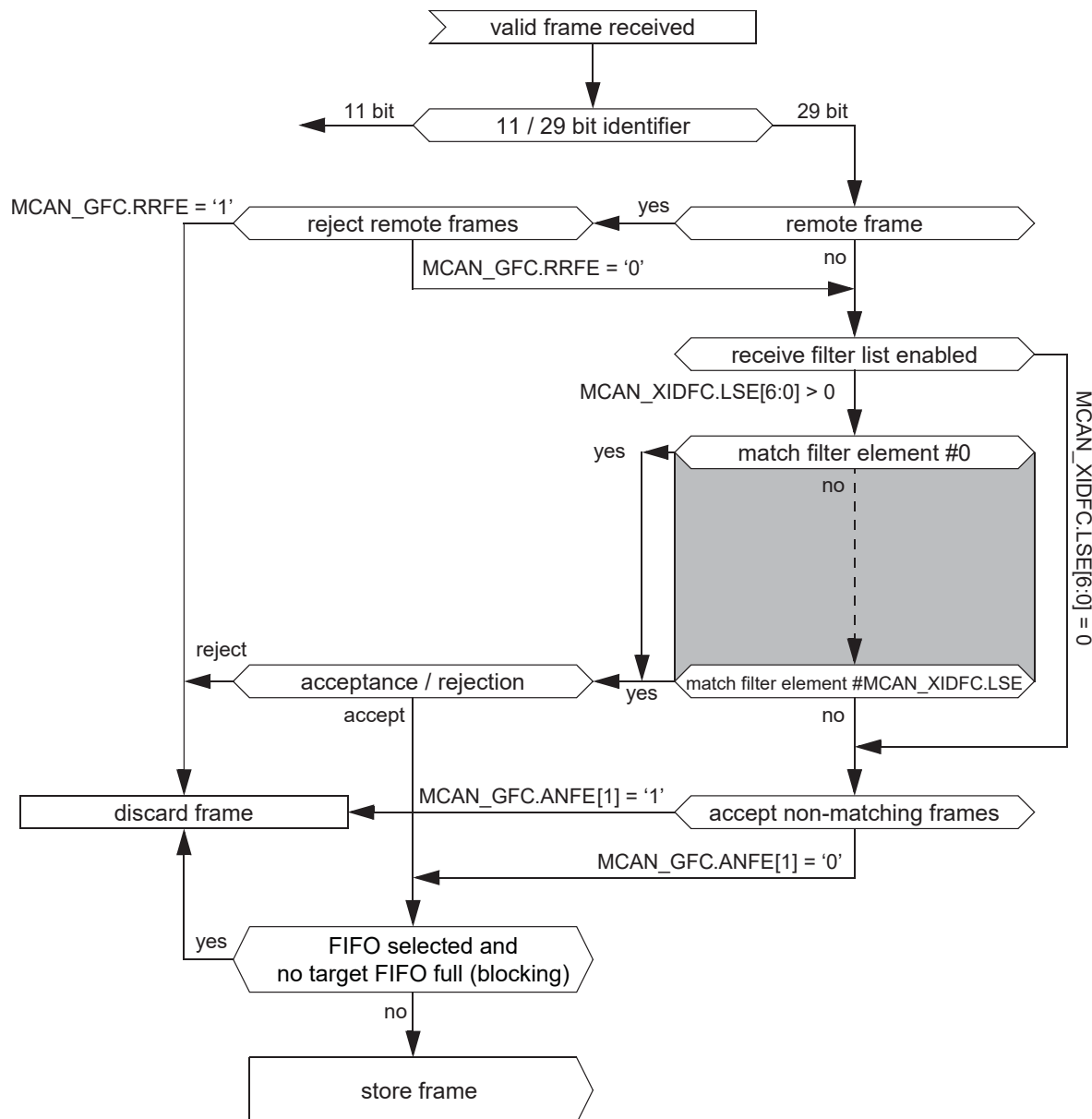
### Extended Message ID Filtering

The figure below shows the flow for extended Message ID (29-bit Identifier) filtering. The Extended Message ID Filter element is described in [38.5.7.6. Extended Message ID Filter Element](#).

Controlled by MCAN\_GFC and MCAN\_XIDFC Message ID, Remote Transmission Request bit (RTR), and the Identifier Extension bit (IDE) of received frames are compared against the list of configured filter elements.

MCAN\_XIDAM is ANDed with the received identifier before the filter list is executed.

Figure 38-6. Extended Message ID Filter Path



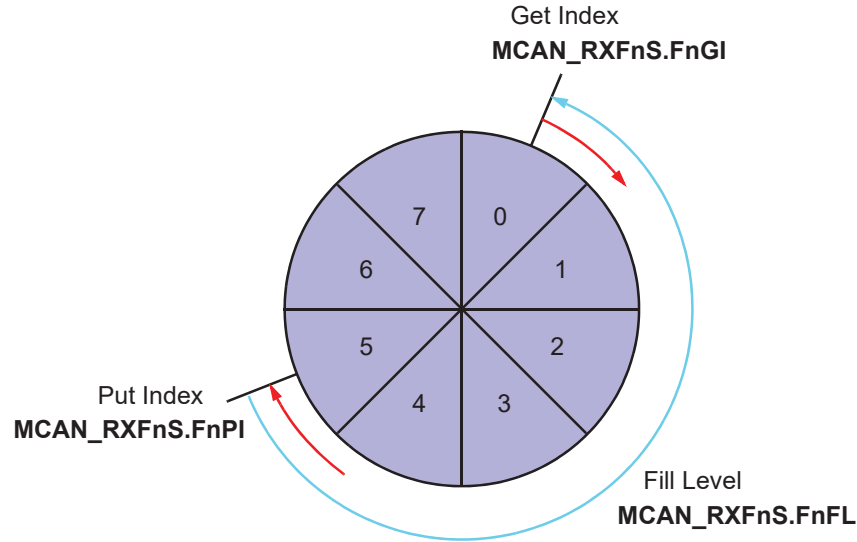
### 38.5.4.2 Rx FIFOs

Rx FIFO 0 and Rx FIFO 1 can be configured to hold up to 64 elements each. Configuration of the two Rx FIFOs is done via the Rx FIFO 0 Configuration register (MCAN\_RXF0C) and the Rx FIFO 1 Configuration register (MCAN\_RXF1C).

Received messages that passed acceptance filtering are transferred to the Rx FIFO as configured by the matching filter element. For a description of the filter mechanisms available for Rx FIFO 0 and Rx FIFO 1, see [Acceptance Filtering](#). The Rx FIFO element is described in [Rx Buffer and FIFO Element](#).

To avoid an Rx FIFO overflow, the Rx FIFO watermark can be used. When the Rx FIFO fill level reaches the Rx FIFO watermark configured by MCAN\_RXFnC.FnWM, interrupt flag MCAN\_IR.RFnW is set. When the Rx FIFO Put Index reaches the Rx FIFO Get Index, an Rx FIFO Full condition is signalled by MCAN\_RXFnS.FnF. In addition, the interrupt flag MCAN\_IR.RFnF is set.

Figure 38-7. Rx FIFO Status



When reading from an Rx FIFO, Rx FIFO Get Index  $\text{MCAN\_RXFnS.FnGI} \times \text{FIFO Element Size}$  has to be added to the corresponding Rx FIFO start address  $\text{MCAN\_RXFnC.FnSA}$ .

Table 38-2. Rx Buffer / FIFO Element Size

$\text{MCAN\_RXESC.RBDS}[2:0]$ $\text{MCAN\_RXESC.FnDS}[2:0]$	Data Field [bytes]	FIFO Element Size [RAM words]
0	8	4
1	12	5
2	16	6
3	20	7
4	24	8
5	32	10
6	48	14
7	64	18

#### 38.5.4.2.1 Rx FIFO Blocking Mode

The Rx FIFO Blocking mode is configured by  $\text{MCAN\_RXFnC.FnOM} = '0'$ . This is the default operating mode for the Rx FIFOs.

When an Rx FIFO full condition is reached ( $\text{MCAN\_RXFnS.FnPI} = \text{MCAN\_RXFnS.FnGI}$ ), no further messages are written to the corresponding Rx FIFO until at least one message has been read out and the Rx FIFO Get Index has been incremented. An Rx FIFO full condition is signalled by  $\text{MCAN\_RXFnS.FnF} = '1'$ . In addition, the interrupt flag  $\text{MCAN\_IR.RFnF}$  is set.

In case a message is received while the corresponding Rx FIFO is full, this message is discarded and the message lost condition is signalled by  $\text{MCAN\_RXFnS.RFnL} = '1'$ . In addition, the interrupt flag  $\text{MCAN\_IR.RFnL}$  is set.

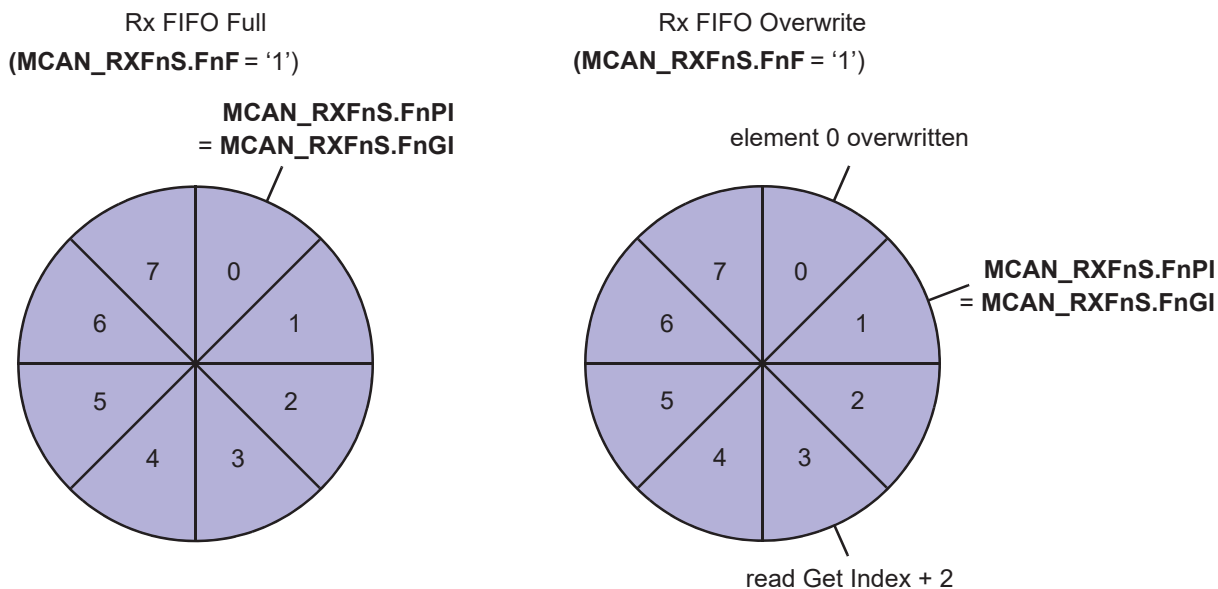
#### 38.5.4.2.2 Rx FIFO Overwrite Mode

The Rx FIFO Overwrite mode is configured by  $\text{MCAN\_RXFnC.FnOM} = '1'$ .

When an Rx FIFO full condition ( $\text{MCAN\_RXFnS.FnPI} = \text{MCAN\_RXFnS.FnGI}$ ) is signalled by  $\text{MCAN\_RXFnS.FnF} = '1'$ , the next message accepted for the FIFO will overwrite the oldest FIFO message. Put and get index are both incremented by one.

When an Rx FIFO is operated in Overwrite mode and an Rx FIFO full condition is signalled, reading of the Rx FIFO elements should start at least at get index + 1. The reason for that is, that it might happen, that a received message is written to the Message RAM (put index) while the processor is reading from the Message RAM (get index). In this case inconsistent data may be read from the respective Rx FIFO element. Adding an offset to the get index when reading from the Rx FIFO avoids this problem. The offset depends on how fast the processor accesses the Rx FIFO. The figure below shows an offset of two with respect to the get index when reading the Rx FIFO. In this case the two messages stored in element 1 and 2 are lost.

**Figure 38-8.** Rx FIFO Overflow Handling



After reading from the Rx FIFO, the number of the last element read has to be written to the Rx FIFO Acknowledge Index `MCAN_RXFnA.FnA`. This increments the get index to that element number. In case the put index has not been incremented to this Rx FIFO element, the Rx FIFO full condition is reset (`MCAN_RXFnS.FnF = '0'`).

### 38.5.4.3 Dedicated Rx Buffers

The MCAN supports up to 64 dedicated Rx Buffers. The start address of the dedicated Rx Buffer section is configured via `MCAN_RXBC.RBSA`.

For each Rx Buffer, a Standard or Extended Message ID Filter Element with `SFEC / EFEC = 7` and `SFID2 / EFID2[10:9] = 0` has to be configured.

After a received message has been accepted by a filter element, the message is stored into the Rx Buffer in the Message RAM referenced by the filter element. The format is the same as for an Rx FIFO element. In addition, the flag `MCAN_IR.DRX` (Message stored in dedicated Rx Buffer) in `MCAN_IR` is set.

**Table 38-3.** Example Filter Configuration for Rx Buffers

Filter Element	SFID1[10:0] EFID1[28:0]	SFID2[10:9] EFID2[10:9]	SFID2[5:0] EFID2[5:0]
0	ID message 1	0	0
1	ID message 2	0	1
2	ID message 3	0	2

After the last word of a matching received message has been written to the Message RAM, the respective New Data flag in the New Data 1 register (`MCAN_NDAT1`) and New Data 2 register

(MCAN\_NDAT2) is set. As long as the New Data flag is set, the respective Rx Buffer is locked against updates from received matching frames. The New Data flags have to be reset by the processor by writing a '1' to the respective bit position.

While an Rx Buffer's New Data flag is set, a Message ID Filter Element referencing this specific Rx Buffer will not match, causing the acceptance filtering to continue. Following Message ID Filter Elements may cause the received message to be stored into another Rx Buffer, or into an Rx FIFO, or the message may be rejected, depending on filter configuration.

#### 38.5.4.3.1 Rx Buffer Handling

- Reset interrupt flag IR.DRX
- Read New Data registers
- Read messages from Message RAM
- Reset New Data flags of processed messages

#### 38.5.4.4 Debug on CAN Support

Debug messages are stored into Rx Buffers. For debug handling three consecutive Rx buffers (e.g. #61, #62, #63) have to be used for storage of debug messages A, B, and C. The format is the same as for an Rx Buffer or an Rx FIFO element (see [Rx Buffer and FIFO Element](#)).

Advantage: Fixed start address for the DMA transfers (relative to MCAN\_RXBC.RBSA), no additional configuration required.

For filtering of debug messages Standard / Extended Filter Elements with SFEC / EFEC = '111' have to be set up. Messages matching these filter elements are stored into the Rx Buffers addressed by SFID2 / EFID2[5:0].

After message C has been stored, the DMA request output m\_can\_dma\_req is activated and the three messages can be read from the Message RAM under DMA control. The RAM words holding the debug messages will not be changed by the MCAN while m\_can\_dma\_req is activated. The behavior is similar to that of an Rx Buffer with its New Data flag set.

After the DMA has completed, the MCAN is prepared to receive the next set of debug messages.

##### 38.5.4.4.1 Filtering for Debug Messages

Filtering for debug messages is done by configuring one Standard / Extended Message ID Filter Element for each of the three debug messages. To enable a filter element to filter for debug messages SFEC / EFEC has to be programmed to "111". In this case fields SFID1 / SFID2 and EFID1 / EFID2 have a different meaning. While SFID2 / EFID2[10:9] controls the debug message handling state machine, SFID2 / EFID2[5:0] controls the location for storage of a received debug message.

When a debug message is stored, neither the respective New Data flag nor MCAN\_IR.DRX are set. The reception of debug messages can be monitored via RXF1S.DMS.

**Table 38-4.** Example Filter Configuration for Debug Messages

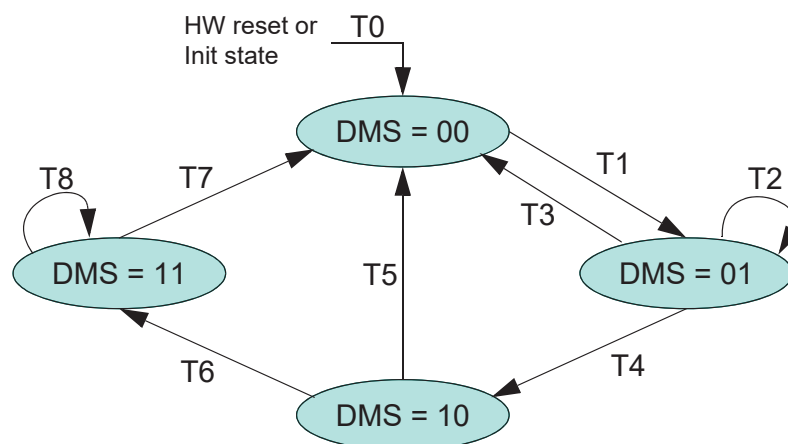
Filter Element	SFID1[10:0] EFID1[28:0]	SFID2[10:9] EFID2[10:9]	SFID2[5:0] EFID2[5:0]
0	ID debug message A	1	11 1101
1	ID debug message B	2	11 1110
2	ID debug message C	3	11 1111

##### 38.5.4.4.2 Debug Message Handling

The debug message handling state machine ensures that debug messages are stored to three consecutive Rx Buffers in the correct order. If some messages are missing, the process is restarted. The DMA request is activated only when all three debug messages A, B, C have been received in the correct order.

The status of the debug message handling state machine is signalled via MCAN\_RXF1S.DMS.

Figure 38-9. Debug Message Handling State Machine



T0: reset m\_can\_dma\_req output, enable reception of debug messages A, B, and C

T1: reception of debug message A

T2: reception of debug message A

T3: reception of debug message C

T4: reception of debug message B

T5: reception of debug messages A, B

T6: reception of debug message C

T7: DMA transfer completed

T8: reception of debug message A,B,C (message rejected)

### 38.5.5 Tx Handling

The Tx Handler handles transmission requests for the dedicated Tx Buffers, the Tx FIFO, and the Tx Queue. It controls the transfer of transmit messages to the CAN Core, the Put and Get Indices, and the Tx Event FIFO. Up to 32 Tx Buffers can be set up for message transmission. The CAN mode for transmission (Classic CAN or CAN FD) can be configured separately for each Tx Buffer element. The Tx Buffer element is described in [Tx Buffer Element](#). The table below describes the possible configurations for frame transmission.

Table 38-5. Possible Configurations for Frame Transmission

MCAN_CCCR		Tx Buffer Element		Frame Transmission
BRSE	FDOE	FD	BRS	
ignored	0	ignored	ignored	Classic CAN
0	1	0	ignored	Classic CAN
0	1	1	ignored	FD without bit rate switching
1	1	0	ignored	Classic CAN
1	1	1	0	FD without bit rate switching
1	1	1	1	FD with bit rate switching

**Note:** AUTOSAR requires at least three Tx Queue Buffers and support of transmit cancellation.

The Tx Handler starts a Tx scan to check for the highest priority pending Tx request (Tx Buffer with lowest Message ID) when MCAN\_TXBRP is updated, or when a transmission has been started.

### 38.5.5.1 Transmit Pause

The transmit pause feature is intended for use in CAN systems where the CAN message identifiers are (permanently) specified to specific values and cannot easily be changed. These message identifiers may have a higher CAN arbitration priority than other defined messages, while in a specific application their relative arbitration priority should be inverse. This may lead to a case where one ECU sends a burst of CAN messages that cause another ECU's CAN messages to be delayed because that other messages have a lower CAN arbitration priority.

If e.g. CAN ECU-1 has the transmit pause feature enabled and is requested by its application software to transmit four messages, it will, after the first successful message transmission, wait for two CAN bit times of bus idle before it is allowed to start the next requested message. If there are other ECUs with pending messages, those messages are started in the idle time, they would not need to arbitrate with the next message of ECU-1. After having received a message, ECU-1 is allowed to start its next transmission as soon as the received message releases the CAN bus.

The transmit pause feature is controlled by bit MCAN\_CCCR.TXP. If the bit is set, the MCAN will, each time it has successfully transmitted a message, pause for two CAN bit times before starting the next transmission. This enables other CAN nodes in the network to transmit messages even if their messages have lower prior identifiers. Default is transmit pause disabled (MCAN\_CCCR.TXP = '0').

This feature looses up burst transmissions coming from a single node and it protects against "babbling idiot" scenarios where the application program erroneously requests too many transmissions.

### 38.5.5.2 Dedicated Tx Buffers

Dedicated Tx Buffers are intended for message transmission under complete control of the processor. Each dedicated Tx Buffer is configured with a specific Message ID. In case that multiple Tx Buffers are configured with the same Message ID, the Tx Buffer with the lowest buffer number is transmitted first.

If the data section has been updated, a transmission is requested by an Add Request via MCAN\_TXBAR.ARn. The requested messages arbitrate internally with messages from an optional Tx FIFO or Tx Queue and externally with messages on the CAN bus, and are sent out according to their Message ID.

A dedicated Tx Buffer allocates Element Size 32-bit words in the Message RAM (see the table below). Therefore the start address of a dedicated Tx Buffer in the Message RAM is calculated by adding transmit buffer index (0...31) × Element Size to the Tx Buffer Start Address TXBC.TBSA.

**Table 38-6.** Tx Buffer / FIFO / Queue Element Size

TXESC.TBDS[2:0]	Data Field [bytes]	Element Size [RAM words]
0	8	4
1	12	5
2	16	6
3	20	7
4	24	8
5	32	10
6	48	14
7	64	18

### 38.5.5.3 Tx FIFO

Tx FIFO operation is configured by programming MCAN\_TXBC.TFQM to '0'. Messages stored in the Tx FIFO are transmitted starting with the message referenced by the Get Index MCAN\_TXFQS.TFGI. After each transmission the Get Index is incremented cyclically until the Tx FIFO is empty. The Tx FIFO enables transmission of messages with the same Message ID from different Tx Buffers in the

order these messages have been written to the Tx FIFO. The MCAN calculates the Tx FIFO Free Level `MCAN_TXFQS.TFFL` as difference between Get and Put Index. It indicates the number of available (free) Tx FIFO elements.

New transmit messages have to be written to the Tx FIFO starting with the Tx Buffer referenced by the Put Index `MCAN_TXFQS.TFQPI`. An Add Request increments the Put Index to the next free Tx FIFO element. When the Put Index reaches the Get Index, Tx FIFO Full (`MCAN_TXFQS.TFQF = '1'`) is signalled. In this case no further messages should be written to the Tx FIFO until the next message has been transmitted and the Get Index has been incremented.

When a single message is added to the Tx FIFO, the transmission is requested by writing a '1' to the `TXBAR` bit related to the Tx Buffer referenced by the Tx FIFO's Put Index.

When multiple (n) messages are added to the Tx FIFO, they are written to n consecutive Tx Buffers starting with the Put Index. The transmissions are then requested via `MCAN_TXBAR`. The Put Index is then cyclically incremented by n. The number of requested Tx buffers should not exceed the number of free Tx Buffers as indicated by the Tx FIFO Free Level.

When a transmission request for the Tx Buffer referenced by the Get Index is cancelled, the Get Index is incremented to the next Tx Buffer with pending transmission request and the Tx FIFO Free Level is recalculated. When transmission cancellation is applied to any other Tx Buffer, the Get Index and the FIFO Free Level remain unchanged.

A Tx FIFO element allocates Element Size 32-bit words in the Message RAM (see the table [Table 38-6](#)). Therefore the start address of the next available (free) Tx FIFO Buffer is calculated by adding Tx FIFO/Queue Put Index `MCAN_TXFQS.TFQPI` (0...31) × Element Size to the Tx Buffer Start Address `MCAN_TXBC.TBSA`.

#### 38.5.5.4 Tx Queue

Tx Queue operation is configured by programming `MCAN_TXBC.TFQM` to '1'. Messages stored in the Tx Queue are transmitted starting with the message with the lowest Message ID (highest priority). In case that multiple Queue Buffers are configured with the same Message ID, the Queue Buffer with the lowest buffer number is transmitted first.

New messages have to be written to the Tx Buffer referenced by the Put Index `MCAN_TXFQS.TFQPI`. An Add Request cyclically increments the Put Index to the next free Tx Buffer. In case that the Tx Queue is full (`MCAN_TXFQS.TFQF = '1'`), the Put Index is not valid and no further message should be written to the Tx Queue until at least one of the requested messages has been sent out or a pending transmission request has been cancelled.

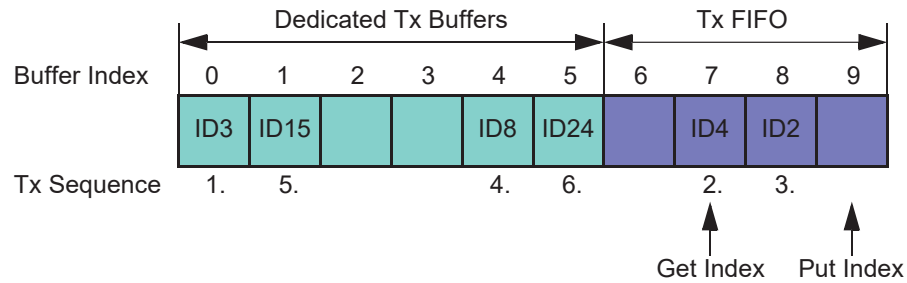
The application may use register `MCAN_TXBRP` instead of the Put Index and may place messages to any Tx Buffer without pending transmission request.

A Tx Queue Buffer allocates Element Size 32-bit words in the Message RAM (see the table [Tx Buffer / FIFO / Queue Element Size](#)). Therefore the start address of the next available (free) Tx Queue Buffer is calculated by adding Tx FIFO/Queue Put Index `MCAN_TXFQS.TFQPI` (0...31) × Element Size to the Tx Buffer Start Address `MCAN_TXBC.TBSA`.

#### 38.5.5.5 Mixed Dedicated Tx Buffers / Tx FIFO

In this case the Tx Buffers section in the Message RAM is subdivided into a set of dedicated Tx Buffers and a Tx FIFO. The number of dedicated Tx Buffers is configured by `MCAN_TXBC.NDTB`. The number of Tx Buffers assigned to the Tx FIFO is configured by `MCAN_TXBC.TFQS`. In case `MCAN_TXBC.TFQS` is programmed to zero, only dedicated Tx Buffers are used.



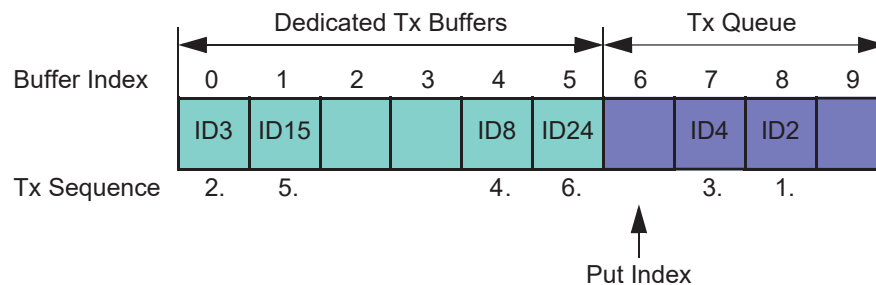
**Figure 38-10.** Example of Mixed Configuration Dedicated Tx Buffers / Tx FIFO

Tx prioritization:

- Scan dedicated Tx Buffers and oldest pending Tx FIFO Buffer (referenced by MCAN\_TXFS.TFGI)
- Buffer with lowest Message ID gets highest priority and is transmitted next

### 38.5.5.6 Mixed Dedicated Tx Buffers / Tx Queue

In this case the Tx Buffers section in the Message RAM is subdivided into a set of dedicated Tx Buffers and a Tx Queue. The number of dedicated Tx Buffers is configured by MCAN\_TXBC.NDTB. The number of Tx Queue Buffers is configured by MCAN\_TXBC.TFQS. In case MCAN\_TXBC.TFQS is programmed to zero, only dedicated Tx Buffers are used.

**Figure 38-11.** Example of Mixed Configuration Dedicated Tx Buffers / Tx Queue

Tx prioritization:

- Scan all Tx Buffers with activated transmission request
- Tx Buffer with lowest Message ID gets highest priority and is transmitted next

### 38.5.5.7 Transmit Cancellation

The MCAN supports transmit cancellation. This feature is especially intended for gateway applications and AUTOSAR-based applications. To cancel a requested transmission from a dedicated Tx Buffer or a Tx Queue Buffer, the processor has to write a '1' to the corresponding bit position (=number of Tx Buffer) of register MCAN\_TXBCR. Transmit cancellation is not intended for Tx FIFO operation.

Successful cancellation is signalled by setting the corresponding bit of register MCAN\_TXBCF to '1'.

In case a transmit cancellation is requested while a transmission from a Tx Buffer is already ongoing, the corresponding TXBRP bit remains set as long as the transmission is in progress. If the transmission was successful, the corresponding MCAN\_TXBTO and MCAN\_TXBCF bits are set. If the transmission was not successful, it is not repeated and only the corresponding MCAN\_TXBCF bit is set.

**Note:** In case a pending transmission is cancelled immediately before this transmission could have been started, there follows a short time window where no transmission is started even if another message is also pending in this node. This may enable another node to transmit a message which may have a lower priority than the second message in this node.

### 38.5.5.8 Tx Event Handling

To support Tx event handling the MCAN has implemented a Tx Event FIFO. After the MCAN has transmitted a message on the CAN bus, Message ID and timestamp are stored in a Tx Event FIFO element. To link a Tx event to a Tx Event FIFO element, the Message Marker from the transmitted Tx Buffer is copied into the Tx Event FIFO element.

The Tx Event FIFO can be configured to a maximum of 32 elements. The Tx Event FIFO element is described in [Debug on CAN Support](#).

When a Tx Event FIFO full condition is signalled by IR.TEFF, no further elements are written to the Tx Event FIFO until at least one element has been read out and the Tx Event FIFO Get Index has been incremented. In case a Tx event occurs while the Tx Event FIFO is full, this event is discarded and interrupt flag MCAN\_IR.TEFL is set.

To avoid a Tx Event FIFO overflow, the Tx Event FIFO watermark can be used. When the Tx Event FIFO fill level reaches the Tx Event FIFO watermark configured by MCAN\_TXEFC.EFWM, interrupt flag MCAN\_IR.TEFW is set.

When reading from the Tx Event FIFO, two times the Tx Event FIFO Get Index MCAN\_TXEFS.EFGI has to be added to the Tx Event FIFO start address MCAN\_TXEFC.EFSA.

### 38.5.6 FIFO Acknowledge Handling

The Get Indices of Rx FIFO 0, Rx FIFO 1, and the Tx Event FIFO are controlled by writing to the corresponding FIFO Acknowledge Index in the registers MCAN\_RXF0A, MCAN\_RXF1A and MCAN\_TXEFA. Writing to the FIFO Acknowledge Index will set the FIFO Get Index to the FIFO Acknowledge Index plus one and thereby updates the FIFO Fill Level. There are two use cases:

When only a single element has been read from the FIFO (the one being pointed to by the Get Index), this Get Index value is written to the FIFO Acknowledge Index.

When a sequence of elements has been read from the FIFO, it is sufficient to write the FIFO Acknowledge Index only once at the end of that read sequence (value: Index of the last element read), to update the FIFO's Get Index.

Due to the fact that the processor has free access to the MCAN's Message RAM, special care has to be taken when reading FIFO elements in an arbitrary order (Get Index not considered). This might be useful when reading a High Priority Message from one of the two Rx FIFOs. In this case the FIFO's Acknowledge Index should not be written because this would set the Get Index to a wrong position and also alters the FIFO's Fill Level. In this case some of the older FIFO elements would be lost.

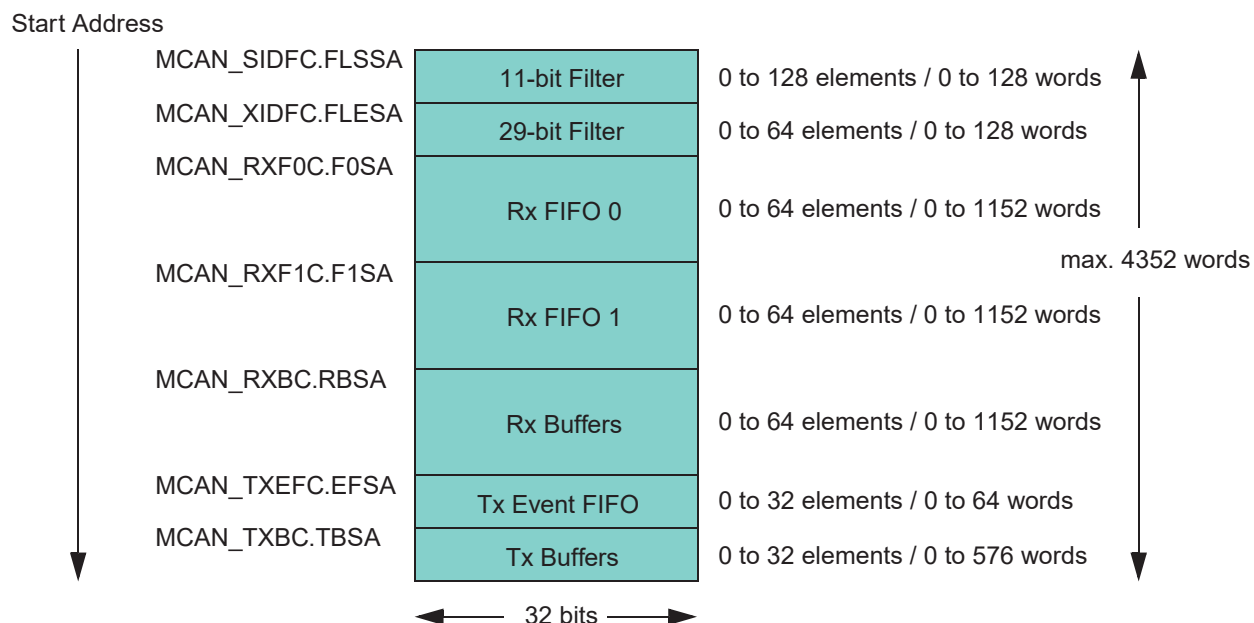
**Note:** The application has to ensure that a valid value is written to the FIFO Acknowledge Index. The MCAN does not check for erroneous values.

### 38.5.7 Message RAM

#### 38.5.7.1 Message RAM Configuration

The Message RAM has a width of 32 bits. The MCAN module can be configured to allocate up to 4352 words in the Message RAM. It is not necessary to configure each of the sections listed in the figure below, nor is there any restriction with respect to the sequence of the sections.

When operated in CAN FD mode, the required Message RAM size depends on the element size configured for Rx FIFO0, Rx FIFO1, Rx Buffers, and Tx Buffers via MCAN\_RXESC.F0DS, MCAN\_RXESC.F1DS, MCAN\_RXESC.RBDS, and MCAN\_TXESC.TBDS.

**Figure 38-12.** Message RAM Configuration

When the MCAN addresses the Message RAM, it addresses 32-bit words, not single bytes. The configurable start addresses are 32-bit word addresses; i.e., only bits 15 to 2 are evaluated, the two least significant bits are ignored.

**Note:** The MCAN does not check for erroneous configuration of the Message RAM. The configuration of the start addresses of the different sections and the number of elements of each section must be checked carefully to avoid falsification or loss of data.

### 38.5.7.2 Rx Buffer and FIFO Element

Up to 64 Rx Buffers and two Rx FIFOs can be configured in the Message RAM. Each Rx FIFO section can be configured to store up to 64 received messages. The structure of a Rx Buffer / FIFO element is shown in the table below. The element size can be configured for storage of CAN FD messages with up to 64 bytes data field via register MCAN\_RXESC.

	31	30	29	28	27	26	25	24	23	22	21	20	19	18	17	16	15	14	13	12	11	10	9	8	7	6	5	4	3	2	1	0
R0	ESI	XTD	RTR	ID[28:0]																												
R1	ANMF	FDX[6:0]						-	FDF	BRS	DLC[3:0]			RXTS[15:0]																		
R2	DB3[7:0]							DB2[7:0]					DB1[7:0]					DB0[7:0]														
R3	DB7[7:0]							DB6[7:0]					DB5[7:0]					DB4[7:0]														
...	..							...					...					...														
Rn	DBm[7:0]							DBm-1[7:0]DBM[7:0]					DBm-2[7:0]DBM[7:0]					DBm-3[7:0]DBM[7:0]														

- **R0 Bit 31 ESI:** Error State Indicator

0: Transmitting node is error active.

1: Transmitting node is error passive.

- **R0 Bit 30 XTD:** Extended Identifier

Signals to the processor whether the received frame has a standard or extended identifier.

0: 11-bit standard identifier.

1: 29-bit extended identifier.

- **R0 Bit 29 RTR:** Remote Transmission Request

Signals to the processor whether the received frame is a data frame or a remote frame.

0: Received frame is a data frame.

1: Received frame is a remote frame.

**Note:** There are no remote frames in CAN FD format. In case a CAN FD frame was received (FDF = 1), bit RTR reflects the state of the reserved bit r1.

• **R0 Bits 28:0 ID[28:0]:** Identifier

Standard or extended identifier depending on bit XTD. A standard identifier is stored into ID[28:18].

• **R1 Bit 31 ANMF:** Accepted Non-matching Frame

Acceptance of non-matching frames may be enabled via MCAN\_GFC.ANFS and MCAN\_GFC.ANFE.

0: Received frame matching filter index FIDX.

1: Received frame did not match any Rx filter element.

• **R1 Bits 30:24 FIDX[6:0]:** Filter Index

0-127: Index of matching Rx acceptance filter element (invalid if ANMF = '1').  
Range is 0 to MCAN\_SIDFC.LSS - 1 resp. MCAN\_XIDFC.LSE - 1.

• **R1 Bit 21 FDF:** FD Format

0: Standard frame format.

1: CAN FD frame format (new DLC-coding and CRC).

• **R1 Bit 20 BRS:** Bit Rate Switch

0: Frame received without bit rate switching.

1: Frame received with bit rate switching.

**Note:**

Bits ESI, FDF, and BRS are only evaluated when CAN FD operation is enabled (MCAN\_CCCR.FDOE = 1).  
Bit BRS is only evaluated when in addition MCAN\_CCCR.BRSE = 1.

• **R1 Bits 19:16 DLC[3:0]:** Data Length Code

0-8: CAN + CAN FD: received frame has 0-8 data bytes.

9-15: CAN: received frame has 8 data bytes.

9-15: CAN FD: received frame has 12/16/20/24/32/48/64 data bytes.

• **R1 Bits 15:0 RXTS[15:0]:** Rx Timestamp

Timestamp Counter value captured on start of frame reception. Resolution depending on configuration of the Timestamp Counter Prescaler MCAN\_TSCC.TCP.

• **R2 Bits 31:24 DB3[7:0]:** Data Byte 3

• **R2 Bits 23:16 DB2[7:0]:** Data Byte 2

• **R2 Bits 15:8 DB1[7:0]:** Data Byte 1

• **R2 Bits 7:0 DB0[7:0]:** Data Byte 0

• **R3 Bits 31:24 DB7[7:0]:** Data Byte 7

• **R3 Bits 23:16 DB6[7:0]:** Data Byte 6

• **R3 Bits 15:8 DB5[7:0]:** Data Byte 5

• **R3 Bits 7:0 DB4[7:0]:** Data Byte 4

... ..

- **Rn Bits 31:24 DBm[7:0]:** Data Byte m
- **Rn Bits 23:16 DBm-1[7:0]:** Data Byte m-1
- **Rn Bits 15:8 DBm-2[7:0]:** Data Byte m-2
- **Rn Bits 7:0 DBm-3[7:0]:** Data Byte m-3

**Note:** Depending on the configuration of the element size (MCAN\_RXESC), between two and sixteen 32-bit words (Rn = 3 ..17) are used for storage of a CAN message's data field.

### 38.5.7.3 Tx Buffer Element

The Tx Buffers section can be configured to hold dedicated Tx Buffers as well as a Tx FIFO / Tx Queue. In case that the Tx Buffers section is shared by dedicated Tx buffers and a Tx FIFO / Tx Queue, the dedicated Tx Buffers start at the beginning of the Tx Buffers section followed by the buffers assigned to the Tx FIFO or Tx Queue. The Tx Handler distinguishes between dedicated Tx Buffers and Tx FIFO / Tx Queue by evaluating the Tx Buffer configuration TXBC.TFQS and TXBC.NDTB. The element size can be configured for storage of CAN FD messages with up to 64 bytes data field via register TXESC.

	31	30	29	28	27	26	25	24	23	22	21	20	19	18	17	16	15	14	13	12	11	10	9	8	7	6	5	4	3	2	1	0
T0	ESI	XTD	RTR	ID[28:0]																												
T1	MM[7:0]			EFC	-	FDF	BRS	DLC[3:0]			-																					
T2	DB3[7:0]			DB2[7:0]			DB1[7:0]			DB0[7:0]																						
T3	DB7[7:0]			DB6[7:0]			DB5[7:0]			DB4[7:0]																						
...	..			...			...			...																						
Tn	DBm[7:0]			DBm-1[7:0]DBm[7:0]			DBm-2[7:0]DBm[7:0]			DBm-3[7:0]DBm[7:0]																						

- **T0 Bit 30 ESI:** Error State Indicator

0: ESI bit in CAN FD format depends only on error passive flag

1: ESI bit in CAN FD format transmitted recessive

**Note:** The ESI bit of the transmit buffer is or'ed with the error passive flag to decide the value of the ESI bit in the transmitted FD frame. As required by the CAN FD protocol specification, an error active node may optionally transmit the ESI bit recessive, but an error passive node will always transmit the ESI bit recessive. This feature can be used in gateway applications when a message from an error passive node is routed to another CAN network.

- **T0 Bit 30 XTD:** Extended Identifier

0: 11-bit standard identifier.

1: 29-bit extended identifier.

- **T0 Bit 29 RTR:** Remote Transmission Request

0: Transmit data frame.

1: Transmit remote frame.

**Note:** When RTR = 1, the MCAN transmits a remote frame according to ISO11898-1, even if MCAN\_CCCR.FDOE enables the transmission in CAN FD format.

- **T0 Bits 28:0 ID[28:0]:** Identifier

Standard or extended identifier depending on bit XTD. A standard identifier has to be written to ID[28:18].

- **T1 Bits 31:24 MM[7:0]:** Message Marker

Written by processor during Tx Buffer configuration. Copied into Tx Event FIFO element for identification of Tx message status.

- **T1 Bit 23 EFC:** Event FIFO Control

0: Do not store Tx events.

1: Store Tx events.

- **T1 Bit 21 FDF:** FD Format

0: Frame transmitted in Classic CAN format

1: Frame transmitted in CAN FD format

- **T1 Bit 20 BRS:** Bit Rate Switching

0: CAN FD frames transmitted without bit rate switching

1: CAN FD frames transmitted with bit rate switching

**Note:**

Bits ESI, FDF, and BRS are only evaluated when CAN FD operation is enabled (MCAN\_CCCR.FDOE = 1). Bit BRS is only evaluated when in addition MCAN\_CCCR.BRSE = 1.

- **T1 Bits 19:16 DLC[3:0]:** Data Length Code

0-8: CAN + CAN FD: transmit frame has 0-8 data bytes.

9-15: CAN: transmit frame has 8 data bytes.

9-15: CAN FD: transmit frame has 12/16/20/24/32/48/64 data bytes.

- **T2 Bits 31:24 DB3[7:0]:** Data Byte 3

- **T2 Bits 23:16 DB2[7:0]:** Data Byte 2

- **T2 Bits 15:8 DB1[7:0]:** Data Byte 1

- **T2 Bits 7:0 DB0[7:0]:** Data Byte 0

- **T3 Bits 31:24 DB7[7:0]:** Data Byte 7

- **T3 Bits 23:16 DB6[7:0]:** Data Byte 6

- **T3 Bits 15:8 DB5[7:0]:** Data Byte 5

- **T3 Bits 7:0 DB4[7:0]:** Data Byte 4

... ..

- **Tn Bits 31:24 DBm[7:0]:** Data Byte m

- **Tn Bits 23:16 DBm-1[7:0]:** Data Byte m-1

- **Tn Bits 15:8 DBm-2[7:0]:** Data Byte m-2

- **Tn Bits 7:0 DBm-3[7:0]:** Data Byte m-3

**Note:** Depending on the configuration of the element size (MCAN\_TXESC), between two and sixteen 32-bit words (Tn = 3 ..17) are used for storage of a CAN message's data field.

### 38.5.7.4 Tx Event FIFO Element

Each element stores information about transmitted messages. By reading the Tx Event FIFO the processor gets this information in the order the messages were transmitted. Status information about the Tx Event FIFO can be obtained from register TXEFS.

	31	30	29	28	27	26	25	24	23	22	21	20	19	18	17	16	15	14	13	12	11	10	9	8	7	6	5	4	3	2	1	0
E0	ESI	XTD	RTR															ID[28:0]														

E1	MM[6:0]	ET[1:0]	FDF	BRS	DLC[3:0]	TXTS[15:0]
----	---------	---------	-----	-----	----------	------------

- **E0 Bit 31 ESI:** Error State Indicator  
0: Transmitting node is error active.  
1: Transmitting node is error passive.
- **E0 Bit 30 XTD:** Extended Identifier  
0: 11-bit standard identifier.  
1: 29-bit extended identifier.
- **E0 Bit 29 RTR:** Remote Transmission Request  
0: Data frame transmitted.  
1: Remote frame transmitted.
- **E0 Bits 28:0 ID[28:0]:** Identifier  
Standard or extended identifier depending on bit XTD. A standard identifier is stored into ID[28:18].
- **E1 Bits 31:24 MM[7:0]:** Message Marker  
Copied from Tx Buffer into Tx Event FIFO element for identification of Tx message status.
- **E1 Bit 23:22 ET[1:0]:** Event Type  
0: Reserved  
1: Tx event  
2: Transmission in spite of cancellation (always set for transmissions in DAR mode)  
3: Reserved
- **E1 Bit 21 FDF:** FD Format  
0: Standard frame format.  
1: CAN FD frame format (new DLC-coding and CRC).
- **E1 Bit 20 BRS:** Bit Rate Switch  
0: Frame transmitted without bit rate switching.  
1: Frame transmitted with bit rate switching.
- **E1 Bits 19:16 DLC[3:0]:** Data Length Code  
0-8: CAN + CAN FD: frame with 0-8 data bytes transmitted.  
9-15: CAN: frame with 8 data bytes transmitted.  
9-15: CAN FD: frame with 12/16/20/24/32/48/64 data bytes transmitted
- **E1 Bits 15:0 TXTS[15:0]:** Tx Timestamp  
Timestamp Counter value captured on start of frame transmission. Resolution depending on configuration of the Timestamp Counter Prescaler MCAN\_TSCC.TCP.

### 38.5.7.5 Standard Message ID Filter Element

Up to 128 filter elements can be configured for 11-bit standard IDs. When accessing a Standard Message ID Filter element, its address is the Filter List Standard Start Address MCAN\_SIDFC.FLSSA plus the index of the filter element (0...127).

	31	30	29	28	27	26	25	24	23	22	21	20	19	18	17	16	15	14	13	12	11	10	9	8	7	6	5	4	3	2	1	0
S0	SFT[2:0]		SFEC[2:0]		SFID2[10:0]								-					SFID1[10:0]														

• **Bits 31:30 SFT[1:0]: Standard Filter Type**

Value	Description
0	Range filter from SF1ID to SF2ID (SF2ID ≥ SF1ID)
1	Dual ID filter for SF1ID or SF2ID
2	Classic filter: SF1ID = filter, SF2ID = mask
3	Reserved

• **Bit 29:27 SFEC[2:0]: Standard Filter Element Configuration**

All enabled filter elements are used for acceptance filtering of standard frames. Acceptance filtering stops at the first matching enabled filter element or when the end of the filter list is reached. If SFEC = "100", "101", or "110" a match sets interrupt flag MCAN\_IR.HPM and, if enabled, an interrupt is generated. In this case register HPMS is updated with the status of the priority match.

Value	Description
0	Disable filter element
1	Store in Rx FIFO 0 if filter matches
2	Store in Rx FIFO 1 if filter matches
3	Reject ID if filter matches
4	Set priority if filter matches
5	Set priority and store in FIFO 0 if filter matches
6	Set priority and store in FIFO 1 if filter matches
7	Store into Rx Buffer or as debug message, configuration of SFT[1:0] ignored

• **Bits 26:16 SFID1[10:0]: Standard Filter ID 1**

First ID of standard ID filter element.

When filtering for Rx Buffers or for debug messages this field defines the ID of a standard message to be stored. The received identifiers must match exactly, no masking mechanism is used.

• **Bits 10:0 SFID2[10:0]: Standard Filter ID 2**

This field has a different meaning depending on the configuration of SFEC:

- SFEC = "001"... "110" – Second ID of standard ID filter element
- SFEC = "111" – Filter for Rx Buffers or for debug messages

SFID2[10:9] decides whether the received message is stored into an Rx Buffer or treated as message A, B, or C of the debug message sequence.

Value	Description
0	Store message in a Rx buffer
1	Debug Message A
2	Debug Message B
3	Debug Message C

SFID2[5:0] defines the index of the dedicated Rx Buffer element to which a matching message is stored.

### 38.5.7.6 Extended Message ID Filter Element

Up to 64 filter elements can be configured for 29-bit extended IDs. When accessing an Extended Message ID Filter element, its address is the Filter List Extended Start Address MCAN\_XIDFC.FLESA plus two times the index of the filter element (0...63).

31	30	29	28	27	26	25	24	23	22	21	20	19	18	17	16	15	14	13	12	11	10	9	8	7	6	5	4	3	2	1	0
----	----	----	----	----	----	----	----	----	----	----	----	----	----	----	----	----	----	----	----	----	----	---	---	---	---	---	---	---	---	---	---



F0	EFEC[2:0]		EFID[28:0]
F1	EFT[1:0]	I	EFID[28:0]

• **F0 Bit 31:29 EFEC[2:0]:** Extended Filter Element Configuration

All enabled filter elements are used for acceptance filtering of extended frames. Acceptance filtering stops at the first matching enabled filter element or when the end of the filter list is reached. If EFEC = "100", "101", or "110", a match sets the interrupt flag MCAN\_IR.HPM and, if enabled, an interrupt is generated. In this case, register MCAN\_HPMS is updated with the status of the priority match.

Value	Description
0	Disable filter element
1	Store in Rx FIFO 0 if filter matches
2	Store in Rx FIFO 1 if filter matches
3	Reject ID if filter matches
4	Set priority if filter matches
5	Set priority and store in FIFO 0 if filter matches
6	Set priority and store in FIFO 1 if filter matches
7	Store into Rx Buffer or as debug message, configuration of EFT[1:0] ignored

• **F0 Bits 28:0 EFID1[28:0]:** Extended Filter ID 1

First ID of extended ID filter element.

When filtering for Rx Buffers or for debug messages this field defines the ID of an extended message to be stored. The received identifiers must match exactly, only MCAN\_XIDAM masking mechanism (see [Extended Message ID Filtering](#)) is used.

• **F1 Bits 31:30 EFT[1:0]:** Extended Filter Type

Value	Description
0	Range filter from EF1ID to EF2ID (EF2ID ≥ EF1ID)
1	Dual ID filter for EF1ID or EF2ID
2	Classic filter: EF1ID = filter, EF2ID = mask
3	Range filter from EF1ID to EF2ID (EF2ID ≥ EF1ID), MCAN_XIDAM mask not applied

• **F1 Bits 28:0 EFID2[28:0]:** Extended Filter ID 2

This field has a different meaning depending on the configuration of EFEC:

- EFEC = "001"... "110" – Second ID of extended ID filter element
- EFEC = "111" – Filter for Rx Buffers or for debug messages

EFID2[10:9] decides whether the received message is stored into an Rx Buffer or treated as message A, B, or C of the debug message sequence.

Value	Description
0	Store message in an Rx buffer
1	Debug Message A
2	Debug Message B
3	Debug Message C

EFID2[5:0] defines the index of the dedicated Rx Buffer element to which a matching message is stored.

### 38.5.8 Hardware Reset Description

After hardware reset, the registers of the MCAN hold the reset values listed in the register descriptions. Additionally the Bus\_Off state is reset and the output CANTX is set to recessive (HIGH). The value 0x0001 (MCAN\_CCCR.INIT = '1') in the CC Control register enables software initialization. The MCAN does not influence the CAN bus until the processor resets MCAN\_CCCR.INIT to '0'.

### 38.5.9 Access to Reserved Register Addresses

In case the application software accesses one of the reserved addresses in the MCAN register map (read or write access), interrupt flag MCAN\_IR.ARA is set and, if enabled, the selected interrupt line is risen.

## 38.6 Register Summary

Offset	Name	Bit Pos.	7	6	5	4	3	2	1	0		
0x00 ... 0x03	Reserved											
0x04	MCAN_ENDN	7:0	ETV[7:0]									
		15:8	ETV[15:8]									
		23:16	ETV[23:16]									
		31:24	ETV[31:24]									
0x08	MCAN_CUST	7:0	CSV[7:0]									
		15:8	CSV[15:8]									
		23:16	CSV[23:16]									
		31:24	CSV[31:24]									
0x0C	MCAN_DBTP	7:0	DTSEG2[3:0]							DSJW[2:0]		
		15:8					DTSEG1[4:0]					
		23:16	TDC					DBRP[4:0]				
		31:24										
0x10	MCAN_TEST	7:0	RX	TX[1:0]		LBCK						
		15:8										
		23:16										
		31:24										
0x14	MCAN_RWD	7:0	WDC[7:0]									
		15:8	WDV[7:0]									
		23:16										
		31:24										
0x18	MCAN_CCCR	7:0	TEST	DAR	MON	CSR	CSA	ASM	CCE	INIT		
		15:8	NISO	TXP	EFBI	PXHD				BRSE	FDOE	
		23:16										
		31:24										
0x1C	MCAN_NBTP	7:0	NTSEG2[6:0]									
		15:8	NTSEG1[7:0]									
		23:16	NBRP[7:0]									
		31:24	NSJW[6:0]						NBRP[8]			
0x20	MCAN_TSCC	7:0								TSS[1:0]		
		15:8										
		23:16	TCP[3:0]									
		31:24										
0x24	MCAN_TSCV	7:0	TSC[7:0]									
		15:8	TSC[15:8]									
		23:16										
		31:24										
0x28	MCAN_TOCC	7:0								TOS[1:0]	ETOC	
		15:8										
		23:16	TOP[7:0]									
		31:24	TOP[15:8]									
0x2C	MCAN_TOCV	7:0	TOC[7:0]									
		15:8	TOC[15:8]									
		23:16										
		31:24										
0x30 ... 0x3F	Reserved											
0x40	MCAN_ECR	7:0	TEC[7:0]									
		15:8	RP	REC[6:0]								
		23:16	CEL[7:0]									
		31:24										
0x44	MCAN_PSR	7:0	BO	EW	EP	ACT[1:0]		LEC[2:0]				
		15:8		PXE	RFDF	RBRS	RESI	DLEC[2:0]				
		23:16	TDCV[6:0]									
		31:24										

.....continued											
Offset	Name	Bit Pos.	7	6	5	4	3	2	1	0	
0x48	MCAN_TDCR	7:0	TDCF[6:0]								
		15:8	TDCO[6:0]								
		23:16									
		31:24									
0x4C ... 0x4F	Reserved										
0x50	MCAN_IR	7:0	RF1L	RF1F	RF1W	RF1N	RF0L	RF0F	RF0W	RF0N	
		15:8	TEFL	TEFF	TEFW	TEFN	TFE	TCF	TC	HPM	
		23:16	EP	ELO			DRX	TOO	MRAF	TSW	
		31:24			ARA	PED	PEA	WDI	BO	EW	
0x54	MCAN_IE	7:0	RF1LE	RF1FE	RF1WE	RF1NE	RF0LE	RF0FE	RF0WE	RF0NE	
		15:8	TEFLE	TEFFE	TEFWE	TEFNE	TFEE	TCFE	TCE	HPME	
		23:16	EPE	ELOE			DRXE	TOOE	MRAFE	TSWE	
		31:24			ARAE	PEDE	PEAE	WDIE	BOE	EWE	
0x58	MCAN_ILS	7:0	RF1LL	RF1FL	RF1WL	RF1NL	RF0LL	RF0FL	RF0WL	RF0NL	
		15:8	TEFLL	TEFFL	TEFWL	TEFNL	TFEL	TCFL	TCL	HPML	
		23:16	EPL	ELOL			DRXL	TOOL	MRAFL	TSWL	
		31:24			ARAL	PEDL	PEAL	WDIL	BOL	EWL	
0x5C	MCAN_ILE	7:0							EINT1	EINT0	
		15:8									
		23:16									
		31:24									
0x60 ... 0x7F	Reserved										
0x80	MCAN_GFC	7:0			ANFS[1:0]		ANFE[1:0]		RRFS	RRFE	
		15:8									
		23:16									
		31:24									
0x84	MCAN_SIDFC	7:0	FLSSA[5:0]								
		15:8	FLSSA[13:6]								
		23:16	LSS[7:0]								
		31:24									
0x88	MCAN_XIDFC	7:0	FLESA[5:0]								
		15:8	FLESA[13:6]								
		23:16	LSE[6:0]								
		31:24									
0x8C ... 0x8F	Reserved										
0x90	MCAN_XIDAM	7:0	EIDM[7:0]								
		15:8	EIDM[15:8]								
		23:16	EIDM[23:16]								
		31:24	EIDM[28:24]								
0x94	MCAN_HPMS	7:0	MSI[1:0]			BIDX[5:0]					
		15:8	FLST	FIDX[6:0]							
		23:16									
		31:24									
0x98	MCAN_NDAT1	7:0	ND7	ND6	ND5	ND4	ND3	ND2	ND1	ND0	
		15:8	ND15	ND14	ND13	ND12	ND11	ND10	ND9	ND8	
		23:16	ND23	ND22	ND21	ND20	ND19	ND18	ND17	ND16	
		31:24	ND31	ND30	ND29	ND28	ND27	ND26	ND25	ND24	
0x9C	MCAN_NDAT2	7:0	ND39	ND38	ND37	ND36	ND35	ND34	ND33	ND32	
		15:8	ND47	ND46	ND45	ND44	ND43	ND42	ND41	ND40	
		23:16	ND55	ND54	ND53	ND52	ND51	ND50	ND49	ND48	
		31:24	ND63	ND62	ND61	ND60	ND59	ND58	ND57	ND56	
0xA0	MCAN_RXFOC	7:0	FOSA[5:0]								
		15:8	FOSA[13:6]								
		23:16	FOS[6:0]								
		31:24	F00M	F0WM[6:0]							

.....continued

Offset	Name	Bit Pos.	7	6	5	4	3	2	1	0	
0xA4	MCAN_RXF0S	7:0	F0FL[6:0]								
		15:8	F0GI[5:0]								
		23:16	F0PI[5:0]								
		31:24								RF0L	F0F
0xA8	MCAN_RXF0A	7:0	F0AI[5:0]								
		15:8									
		23:16									
		31:24									
0xAC	MCAN_RXBC	7:0	RBSA[5:0]								
		15:8	RBSA[13:6]								
		23:16									
		31:24									
0xB0	MCAN_RXF1C	7:0	F1SA[5:0]								
		15:8	F1SA[13:6]								
		23:16	F1S[6:0]								
		31:24	F1OM	F1WM[6:0]							
0xB4	MCAN_RXF1S	7:0	F1FL[6:0]								
		15:8	F1GI[5:0]								
		23:16	F1PI[5:0]								
		31:24	DMS[1:0]								RF1L
0xB8	MCAN_RXF1A	7:0	F1AI[5:0]								
		15:8									
		23:16									
		31:24									
0xBC	MCAN_RXESC	7:0	F1DS[2:0]				F0DS[2:0]				
		15:8	RBDS[2:0]								
		23:16									
		31:24									
0xC0	MCAN_TXBC	7:0	TBSA[5:0]								
		15:8	TBSA[13:6]								
		23:16	NDTB[5:0]								
		31:24	TFQM	TFQS[5:0]							
0xC4	MCAN_TXFQS	7:0	TFFL[5:0]								
		15:8	TFGI[4:0]								
		23:16	TFQF	TFQPI[4:0]							
		31:24									
0xC8	MCAN_TXESC	7:0	TBDS[2:0]								
		15:8									
		23:16									
		31:24									
0xCC	MCAN_TXBRP	7:0	TRP7	TRP6	TRP5	TRP4	TRP3	TRP2	TRP1	TRP0	
		15:8	TRP15	TRP14	TRP13	TRP12	TRP11	TRP10	TRP9	TRP8	
		23:16	TRP23	TRP22	TRP21	TRP20	TRP19	TRP18	TRP17	TRP16	
		31:24	TRP31	TRP30	TRP29	TRP28	TRP27	TRP26	TRP25	TRP24	
0xD0	MCAN_TXBAR	7:0	AR7	AR6	AR5	AR4	AR3	AR2	AR1	AR0	
		15:8	AR15	AR14	AR13	AR12	AR11	AR10	AR9	AR8	
		23:16	AR23	AR22	AR21	AR20	AR19	AR18	AR17	AR16	
		31:24	AR31	AR30	AR29	AR28	AR27	AR26	AR25	AR24	
0xD4	MCAN_TXBCR	7:0	CR7	CR6	CR5	CR4	CR3	CR2	CR1	CR0	
		15:8	CR15	CR14	CR13	CR12	CR11	CR10	CR9	CR8	
		23:16	CR23	CR22	CR21	CR20	CR19	CR18	CR17	CR16	
		31:24	CR31	CR30	CR29	CR28	CR27	CR26	CR25	CR24	
0xD8	MCAN_TXBTO	7:0	TO7	TO6	TO5	TO4	TO3	TO2	TO1	TO0	
		15:8	TO15	TO14	TO13	TO12	TO11	TO10	TO9	TO8	
		23:16	TO23	TO22	TO21	TO20	TO19	TO18	TO17	TO16	
		31:24	TO31	TO30	TO29	TO28	TO27	TO26	TO25	TO24	
0xDC	MCAN_TXBCF	7:0	CF7	CF6	CF5	CF4	CF3	CF2	CF1	CF0	
		15:8	CF15	CF14	CF13	CF12	CF11	CF10	CF9	CF8	
		23:16	CF23	CF22	CF21	CF20	CF19	CF18	CF17	CF16	
		31:24	CF31	CF30	CF29	CF28	CF27	CF26	CF25	CF24	

.....continued

Offset	Name	Bit Pos.	7	6	5	4	3	2	1	0	
0xE0	MCAN_TXBTIE	7:0	TIE7	TIE6	TIE5	TIE4	TIE3	TIE2	TIE1	TIE0	
		15:8	TIE15	TIE14	TIE13	TIE12	TIE11	TIE10	TIE9	TIE8	
		23:16	TIE23	TIE22	TIE21	TIE20	TIE19	TIE18	TIE17	TIE16	
		31:24	TIE31	TIE30	TIE29	TIE28	TIE27	TIE26	TIE25	TIE24	
0xE4	MCAN_TXBCIE	7:0	CFIE7	CFIE6	CFIE5	CFIE4	CFIE3	CFIE2	CFIE1	CFIE0	
		15:8	CFIE15	CFIE14	CFIE13	CFIE12	CFIE11	CFIE10	CFIE9	CFIE8	
		23:16	CFIE23	CFIE22	CFIE21	CFIE20	CFIE19	CFIE18	CFIE17	CFIE16	
		31:24	CFIE31	CFIE30	CFIE29	CFIE28	CFIE27	CFIE26	CFIE25	CFIE24	
0xE8 ... 0xEF	Reserved										
0xF0	MCAN_TXEFC	7:0	EFSA[5:0]								
		15:8	EFSA[13:6]								
		23:16				EFS[5:0]					
		31:24				EFWM[5:0]					
0xF4	MCAN_TXEFS	7:0				EFFL[5:0]					
		15:8				EFGI[4:0]					
		23:16				EFPI[4:0]					
		31:24							TEFL	EFF	
0xF8	MCAN_TXEFA	7:0				EFAI[4:0]					
		15:8									
		23:16									
		31:24									

### 38.6.1 MCAN Endian Register

**Name:** MCAN\_ENDN  
**Offset:** 0x04  
**Reset:** 0x87654321  
**Property:** Read-only

Bit	31	30	29	28	27	26	25	24
ETV[31:24]								
Access	R	R	R	R	R	R	R	R
Reset	1	0	0	0	0	1	1	1
Bit	23	22	21	20	19	18	17	16
ETV[23:16]								
Access	R	R	R	R	R	R	R	R
Reset	0	1	1	0	0	1	0	1
Bit	15	14	13	12	11	10	9	8
ETV[15:8]								
Access	R	R	R	R	R	R	R	R
Reset	0	1	0	0	0	0	1	1
Bit	7	6	5	4	3	2	1	0
ETV[7:0]								
Access	R	R	R	R	R	R	R	R
Reset	0	0	1	0	0	0	0	1

**Bits 31:0 – ETV[31:0]** Endianness Test Value  
The endianness test value is 0x87654321.

### 38.6.2 MCAN Customer Register

**Name:** MCAN\_CUST  
**Offset:** 0x08  
**Reset:** 0x00000000  
**Property:** Read/Write

Bit	31	30	29	28	27	26	25	24
	CSV[31:24]							
Access	R/W	R/W	R/W	R/W	R/W	R/W	R/W	R/W
Reset	0	0	0	0	0	0	0	0
Bit	23	22	21	20	19	18	17	16
	CSV[23:16]							
Access	R/W	R/W	R/W	R/W	R/W	R/W	R/W	R/W
Reset	0	0	0	0	0	0	0	0
Bit	15	14	13	12	11	10	9	8
	CSV[15:8]							
Access	R/W	R/W	R/W	R/W	R/W	R/W	R/W	R/W
Reset	0	0	0	0	0	0	0	0
Bit	7	6	5	4	3	2	1	0
	CSV[7:0]							
Access	R/W	R/W	R/W	R/W	R/W	R/W	R/W	R/W
Reset	0	0	0	0	0	0	0	0

**Bits 31:0 – CSV[31:0]** Customer-specific Value  
Customer-specific value.



### 38.6.3 MCAN Data Bit Timing and Prescaler Register

**Name:** MCAN\_DBTP  
**Offset:** 0x0C  
**Reset:** 0x00000A33  
**Property:** Read/Write

This register can only be written if the bits CCE and INIT are set in [MCAN CC Control Register](#).

The CAN bit time may be programmed in the range of 4 to 25 time quanta. The CAN time quantum may be programmed in the range of 1 to 32 CAN core clock periods.  $t_q = (\text{DBRP} + 1)$  CAN core clock periods.

DTSEG1 is the sum of Prop\_Seg and Phase\_Seg1. DTSEG2 is Phase\_Seg2.

Therefore the length of the bit time is (programmed values)  $[\text{DTSEG1} + \text{DTSEG2} + 3] t_q$  or (functional values)  $[\text{Sync\_Seg} + \text{Prop\_Seg} + \text{Phase\_Seg1} + \text{Phase\_Seg2}] t_q$ .

The Information Processing Time (IPT) is zero, meaning the data for the next bit is available at the first clock edge after the sample point.

With a CAN core clock frequency of 8 MHz, the reset value of 0x00000A33 configures the MCAN for a fast bit rate of 500 kbit/s.

The bit rate configured for the CAN FD data phase via MCAN\_DBTP must be higher than or equal to the bit rate configured for the arbitration phase via MCAN\_NBTP.

Bit	31	30	29	28	27	26	25	24
Access								
Reset								
Bit	23	22	21	20	19	18	17	16
Access	TDC					DBRP[4:0]		
Reset	R/W			R/W	R/W	R/W	R/W	R/W
Reset	0			0	0	0	0	0
Bit	15	14	13	12	11	10	9	8
Access						DTSEG1[4:0]		
Reset				R/W	R/W	R/W	R/W	R/W
Reset				0	1	0	1	0
Bit	7	6	5	4	3	2	1	0
Access	DTSEG2[3:0]					DSJW[2:0]		
Reset	R/W	R/W	R/W	R/W		R/W	R/W	R/W
Reset	0	0	1	1		0	1	1

#### Bit 23 – TDC Transmitter Delay Compensation

0 (DISABLED): Transmitter Delay Compensation disabled.

1 (ENABLED): Transmitter Delay Compensation enabled.

#### Bits 20:16 – DBRP[4:0] Data Bit Rate Prescaler

The value by which the peripheral clock is divided for generating the bit time quanta. The bit time is built up from a multiple of this quanta. Valid values for the Bit Rate Prescaler are 0 to 31. The actual interpretation by the hardware of this value is such that one more than the value programmed here is used.

- Bits 12:8 - DTSEG1[4:0]** Data Time Segment Before Sample Point  
0: Forbidden.  
1 to 31: The duration of time segment is  $t_q \times (\text{DTSEG1} + 1)$ .
- Bits 7:4 - DTSEG2[3:0]** Data Time Segment After Sample Point  
The duration of time segment is  $t_q \times (\text{DTSEG2} + 1)$ .
- Bits 2:0 - DSJW[2:0]** Data (Re) Synchronization Jump Width  
The duration of a synchronization jump is  $t_q \times (\text{DSJW} + 1)$ .

### 38.6.4 MCAN Test Register

**Name:** MCAN\_TEST  
**Offset:** 0x10  
**Reset:** 0x00000000  
**Property:** Read/Write

Write access to the Test Register has to be enabled by setting bit MCAN\_CCCR.TEST to '1'.

All MCAN Test Register functions are set to their reset values when bit MCAN\_CCCR.TEST is cleared.

Loop Back mode and software control of pin CANTX are hardware test modes. Programming of TX ≠ 0 disturbs the message transfer on the CAN bus.

The reset value for MCAN\_TEST.RX is undefined.

Bit	31	30	29	28	27	26	25	24
Access								
Reset								
Bit	23	22	21	20	19	18	17	16
Access								
Reset								
Bit	15	14	13	12	11	10	9	8
Access								
Reset								
Bit	7	6	5	4	3	2	1	0
Access	R	R/W	R/W	R/W				
Reset	x	0	0	0				

#### Bit 7 - RX Receive Pin (read-only)

Monitors the actual value of pin CANRX.

The reset value for this bit is undefined.

Value	Description
0	The CAN bus is dominant (CANRX = '0').
1	The CAN bus is recessive (CANRX = '1').

#### Bits 6:5 - TX[1:0] Control of Transmit Pin (read/write)

Value	Name	Description
0	RESET	Reset value, CANTX controlled by the CAN Core, updated at the end of the CAN bit time.
1	SAMPLE_POINT_MONITORING	Sample Point can be monitored at pin CANTX.
2	DOMINANT	Dominant ('0') level at pin CANTX.
3	RECESSIVE	Recessive ('1') at pin CANTX.

#### Bit 4 - LBCK Loop Back Mode (read/write)

0 (DISABLED): Reset value. Loop Back mode is disabled.

1 (ENABLED): Loop Back mode is enabled (see [Test Modes](#)).

### 38.6.5 MCAN RAM Watchdog Register

**Name:** MCAN\_RWD  
**Offset:** 0x14  
**Reset:** 0x00000000  
**Property:** Read/Write

The RAM Watchdog monitors the Message RAM response time. A Message RAM access via the MCAN's Generic Master Interface starts the Message RAM Watchdog Counter with the value configured by MCAN\_RWD.WDC. The counter is reloaded with MCAN\_RWD.WDC when the Message RAM signals successful completion by activating its READY output. In case there is no response from the Message RAM until the counter has counted down to zero, the counter stops and interrupt flag MCAN\_IR.WDI is set. The RAM Watchdog Counter is clocked by the system bus clock (peripheral clock).

Bit	31	30	29	28	27	26	25	24
Access								
Reset								
Bit	23	22	21	20	19	18	17	16
Access								
Reset								
Bit	15	14	13	12	11	10	9	8
	WDV[7:0]							
Access	R	R	R	R	R	R	R	R
Reset	0	0	0	0	0	0	0	0
Bit	7	6	5	4	3	2	1	0
	WDC[7:0]							
Access	R/W	R/W	R/W	R/W	R/W	R/W	R/W	R/W
Reset	0	0	0	0	0	0	0	0

#### Bits 15:8 – WDV[7:0] Watchdog Value (read-only)

Watchdog Counter Value for the current message located in RAM.

#### Bits 7:0 – WDC[7:0] Watchdog Configuration (read/write)

Start value of the Message RAM Watchdog Counter. The counter is disabled when WDC is cleared.

### 38.6.6 MCAN CC Control Register

**Name:** MCAN\_CCCR  
**Offset:** 0x18  
**Reset:** 0x00000001  
**Property:** Read/Write

Bit	31	30	29	28	27	26	25	24
Access								
Reset								
Bit	23	22	21	20	19	18	17	16
Access								
Reset								
Bit	15	14	13	12	11	10	9	8
Access	NISO	TXP	EFBI	PXHD			BRSE	FDOE
Reset	R/W	R/W	R/W	R/W			R/W	R/W
Reset	0	0	0	0			0	0
Bit	7	6	5	4	3	2	1	0
Access	TEST	DAR	MON	CSR	CSA	ASM	CCE	INIT
Reset	R/W	R/W	R/W	R/W	R	R/W	R/W	R/W
Reset	0	0	0	0	0	0	0	1

#### Bit 15 – NISO Non-ISO Operation

If this bit is set, the MCAN uses the CAN FD frame format as specified by the Bosch CAN FD Specification V1.0.

Value	Description
0	CAN FD frame format according to ISO11898-1 (default).
1	CAN FD frame format according to Bosch CAN FD Specification V1.0.

#### Bit 14 – TXP Transmit Pause (read/write, write protection)

If this bit is set, the MCAN pauses for two CAN bit times before starting the next transmission after itself has successfully transmitted a frame (see [Tx Handling](#)).

Value	Description
0	Transmit pause disabled.
1	Transmit pause enabled.

#### Bit 13 – EFBI Edge Filtering during Bus Integration (read/write, write protection)

Value	Description
0	Edge filtering is disabled.
1	Edge filtering is enabled. Two consecutive dominant tq required to detect an edge for hard synchronization.

#### Bit 12 – PXHD Protocol Exception Event Handling (read/write, write protection)

Value	Description
0	Protocol exception handling enabled.
1	Protocol exception handling disabled.

#### Bit 9 – BRSE Bit Rate Switching Enable (read/write, write protection)

0 (DISABLED): Bit rate switching for transmissions disabled.

1 (ENABLED): Bit rate switching for transmissions enabled.

**Bit 8 – FDOE** CAN FD Operation Enable (read/write, write protection)

- 0 (DISABLED): FD operation disabled.
- 1 (ENABLED): FD operation enabled.

**Bit 7 – TEST** Test Mode Enable (read/write, write protection against '1')

- 0 (DISABLED): Normal operation, MCAN\_TEST register holds reset values.
- 1 (ENABLED): Test mode, write access to MCAN\_TEST register enabled.

**Bit 6 – DAR** Disable Automatic Retransmission (read/write, write protection)

- 0 (AUTO\_RETX): Automatic retransmission of messages not transmitted successfully enabled.
- 1 (NO\_AUTO\_RETX): Automatic retransmission disabled.

**Bit 5 – MON** Bus Monitoring Mode (read/write, write protection against '1')

- 0 (DISABLED): Bus Monitoring mode is disabled.
- 1 (ENABLED): Bus Monitoring mode is enabled.

**Bit 4 – CSR** Clock Stop Request (read/write)

- 0 (NO\_CLOCK\_STOP): No clock stop is requested.
- 1 (CLOCK\_STOP): Clock stop requested. When clock stop is requested, first INIT and then CSA will be set after all pending transfer requests have been completed and the CAN bus reached idle.

**Bit 3 – CSA** Clock Stop Acknowledge (read-only)

Value	Description
0	No clock stop acknowledged.
1	MCAN may be set in power down by stopping the peripheral clock and the CAN core clock.

**Bit 2 – ASM** Restricted Operation Mode (read/write, write protection against '1')

- For a description of the Restricted Operation mode see [Restricted Operation Mode](#).
- 0 (NORMAL): Normal CAN operation.
- 1 (RESTRICTED): Restricted Operation mode active.

**Bit 1 – CCE** Configuration Change Enable (read/write, write protection)

- 0 (PROTECTED): The processor has no write access to the protected configuration registers.
- 1 (CONFIGURABLE): The processor has write access to the protected configuration registers (while MCAN\_CCCR.INIT = '1').

**Bit 0 – INIT** Initialization (read/write)

- Due to the synchronization mechanism between the two clock domains, there may be a delay until the value written to INIT can be read back. Therefore the programmer has to ensure that the previous value written to INIT has been accepted by reading INIT before setting INIT to a new value.
- 0 (DISABLED): Normal operation.
- 1 (ENABLED): Initialization is started.

### 38.6.7 MCAN Nominal Bit Timing and Prescaler Register

**Name:** MCAN\_NBTP  
**Offset:** 0x1C  
**Reset:** 0x06000A03  
**Property:** Read/Write

This register can only be written if the bits CCE and INIT are set in MCAN\_CCCR.

The CAN bit time may be programmed in the range of 4 to 385 time quanta. The CAN time quantum may be programmed in the range of 1 to 512 CAN core clock periods.  $t_q = t_{\text{core clock}} \times (\text{NBRP} + 1)$ .

NTSEG1 is the sum of Prop\_Seg and Phase\_Seg1. NTSEG2 is Phase\_Seg2.

Therefore the length of the bit time is (programmed values)  $[\text{NTSEG1} + \text{NTSEG2} + 3] t_q$  or (functional values)  $[\text{Sync\_Seg} + \text{Prop\_Seg} + \text{Phase\_Seg1} + \text{Phase\_Seg2}] t_q$ .

The Information Processing Time (IPT) is zero, meaning the data for the next bit is available at the first clock edge after the sample point.

With a CAN core clock frequency of 8 MHz, the reset value of 0x06000A03 configures the MCAN for a bit rate of 500 kbit/s.

Bit	31	30	29	28	27	26	25	24
	NSJW[6:0]							NBRP[8]
Access	R/W	R/W	R/W	R/W	R/W	R/W	R/W	R/W
Reset	0	0	0	0	0	1	1	0
Bit	23	22	21	20	19	18	17	16
	NBRP[7:0]							
Access	R/W	R/W	R/W	R/W	R/W	R/W	R/W	R/W
Reset	0	0	0	0	0	0	0	0
Bit	15	14	13	12	11	10	9	8
	NTSEG1[7:0]							
Access	R/W	R/W	R/W	R/W	R/W	R/W	R/W	R/W
Reset	0	0	0	0	1	0	1	0
Bit	7	6	5	4	3	2	1	0
		NTSEG2[6:0]						
Access		R/W	R/W	R/W	R/W	R/W	R/W	R/W
Reset		0	0	0	0	0	1	1

**Bits 31:25 – NSJW[6:0]** Nominal (Re) Synchronization Jump Width  
 0 to 127: The duration of a synchronization jump is  $t_q \times (\text{NSJW} + 1)$ .

**Bits 24:16 – NBRP[8:0]** Nominal Bit Rate Prescaler  
 0 to 511: The value by which the oscillator frequency is divided for generating the CAN time quanta. The CAN time is built up from a multiple of this quanta. CAN time quantum ( $t_q$ ) =  $t_{\text{core clock}} \times (\text{NBRP} + 1)$

**Bits 15:8 – NTSEG1[7:0]** Nominal Time Segment Before Sample Point

Value	Description
0	Reserved; do not use.
1 to 255	The duration of time segment is $t_q \times (\text{NTSEG1} + 1)$ .

**Bits 6:0 – NTSEG2[6:0]** Nominal Time Segment After Sample Point

Value	Description
0	Reserved; do not use.
1 to 127	The duration of time segment is $t_q \times (NTSEG2 + 1)$ .

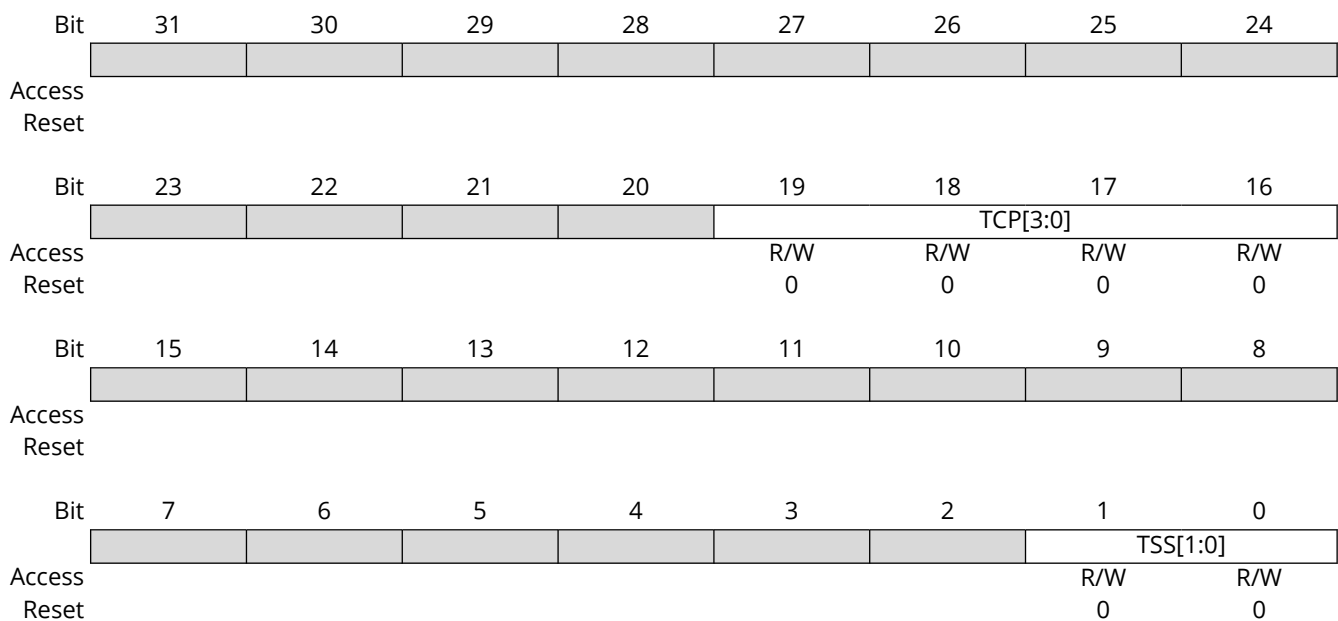


### 38.6.8 MCAN Timestamp Counter Configuration Register

**Name:** MCAN\_TSCC  
**Offset:** 0x20  
**Reset:** 0x00000000  
**Property:** Read/Write

For a description of the Timestamp Counter see [Timestamp Generation](#).

With CAN FD, an external counter is required for timestamp generation (TSS = 2).



#### Bits 19:16 – TCP[3:0] Timestamp Counter Prescaler

Configures the timestamp and timeout counters time unit in multiples of CAN bit times [ 1...16 ].  
 The actual interpretation by the hardware of this value is such that one more than the value programmed here is used.

#### Bits 1:0 – TSS[1:0] Timestamp Select

Value	Name	Description
0	ALWAYS_0	Timestamp counter value always 0x0000
1	TCP_INC	Timestamp counter value incremented according to TCP
2	EXT_TIMESTAMP	External timestamp counter value used
3	ALWAYS_0	Timestamp counter value always 0x0000

### 38.6.9 MCAN Timestamp Counter Value Register

**Name:** MCAN\_TSCV  
**Offset:** 0x24  
**Reset:** 0x00000000  
**Property:** Read/Write

Bit	31	30	29	28	27	26	25	24
Access								
Reset								
Bit	23	22	21	20	19	18	17	16
Access								
Reset								
Bit	15	14	13	12	11	10	9	8
Access	TSC[15:8]							
Reset	0	0	0	0	0	0	0	0
Bit	7	6	5	4	3	2	1	0
Access	TSC[7:0]							
Reset	0	0	0	0	0	0	0	0

#### Bits 15:0 – TSC[15:0] Timestamp Counter (cleared on write)

The internal/external Timestamp Counter value is captured on start of frame (both Receive and Transmit). When MCAN\_TSCC.TSS = 1, the Timestamp Counter is incremented in multiples of CAN bit times [ 1...16 ] depending on the configuration of MCAN\_TSCC.TCP. A wrap around sets interrupt flag MCAN\_IR.TSW. Write access resets the counter to zero.

When MCAN\_TSCC.TSS = 2, TSC reflects the external Timestamp Counter value. Thus a write access has no impact.

**Note:** A “wrap around” is a change of the Timestamp Counter value from non-zero to zero not caused by write access to MCAN\_TSCV.

### 38.6.10 MCAN Timeout Counter Configuration Register

**Name:** MCAN\_TOCC  
**Offset:** 0x28  
**Reset:** 0xFFFF0000  
**Property:** Read/Write

This register can only be written if the bits CCE and INIT are set in [MCAN CC Control Register](#).

For a description of the Timeout Counter, see [Timeout Counter](#).

Bit	31	30	29	28	27	26	25	24
	TOP[15:8]							
Access	R/W	R/W	R/W	R/W	R/W	R/W	R/W	R/W
Reset	1	1	1	1	1	1	1	1
Bit	23	22	21	20	19	18	17	16
	TOP[7:0]							
Access	R/W	R/W	R/W	R/W	R/W	R/W	R/W	R/W
Reset	1	1	1	1	1	1	1	1
Bit	15	14	13	12	11	10	9	8
Access								
Reset								
Bit	7	6	5	4	3	2	1	0
						TOS[1:0]		ETOC
Access						R/W	R/W	R/W
Reset						0	0	0

#### Bits 31:16 – TOP[15:0] Timeout Period

Start value of the Timeout Counter (down-counter). Configures the Timeout Period.

#### Bits 2:1 – TOS[1:0] Timeout Select

When operating in Continuous mode, a write to MCAN\_TOCV presets the counter to the value configured by MCAN\_TOCC.TOP and continues down-counting. When the Timeout Counter is controlled by one of the FIFOs, an empty FIFO presets the counter to the value configured by MCAN\_TOCC.TOP. Down-counting is started when the first FIFO element is stored.

Value	Name	Description
0	CONTINUOUS	Continuous operation.
1	TX_EV_TIMEOUT	Timeout controlled by Tx Event FIFO.
2	RX0_EV_TIMEOUT	Timeout controlled by Receive FIFO 0.
3	RX1_EV_TIMEOUT	Timeout controlled by Receive FIFO 1.

#### Bit 0 – ETOC Enable Timeout Counter

0 (NO\_TIMEOUT): Timeout Counter disabled.

1 (TOS\_CONTROLLED): Timeout Counter enabled.

For use of timeout function with CAN FD, see [Timeout Counter](#).

### 38.6.11 MCAN Timeout Counter Value Register

**Name:** MCAN\_TOCV  
**Offset:** 0x2C  
**Reset:** 0x0000FFFF  
**Property:** Read/Write

Bit	31	30	29	28	27	26	25	24
Access								
Reset								
Bit	23	22	21	20	19	18	17	16
Access								
Reset								
Bit	15	14	13	12	11	10	9	8
Access	TOC[15:8]							
Reset	1	1	1	1	1	1	1	1
Bit	7	6	5	4	3	2	1	0
Access	TOC[7:0]							
Reset	1	1	1	1	1	1	1	1

#### Bits 15:0 – TOC[15:0] Timeout Counter (cleared on write)

The Timeout Counter is decremented in multiples of CAN bit times [ 1...16 ] depending on the configuration of MCAN\_TSCC.TCP. When decremented to zero, interrupt flag MCAN\_IR.TOO is set and the Timeout Counter is stopped. Start and reset/restart conditions are configured via MCAN\_TOCC.TOS.

### 38.6.12 MCAN Error Counter Register

**Name:** MCAN\_ECR  
**Offset:** 0x40  
**Reset:** 0x00000000  
**Property:** Read-only

When MCAN\_CCCR.ASM is set, the CAN protocol controller does not increment TEC and REC when a CAN protocol error is detected, but CEL is still incremented.

Bit	31	30	29	28	27	26	25	24
Access								
Reset								
Bit	23	22	21	20	19	18	17	16
Access	CEL[7:0]							
Reset	0	0	0	0	0	0	0	0
Bit	15	14	13	12	11	10	9	8
Access	RP	REC[6:0]						
Reset	0	0	0	0	0	0	0	0
Bit	7	6	5	4	3	2	1	0
Access	TEC[7:0]							
Reset	0	0	0	0	0	0	0	0

#### Bits 23:16 – CEL[7:0] CAN Error Logging (cleared on read)

The counter is incremented each time when a CAN protocol error causes the Transmit Error Counter or the Receive Error Counter to be incremented. It is reset by read access to CEL. The counter stops at 0xFF; the next increment of TEC or REC sets interrupt flag IR.ELO.

#### Bit 15 – RP Receive Error Passive

Value	Description
0	The Receive Error Counter is below the error passive level of 128.
1	The Receive Error Counter has reached the error passive level of 128.

#### Bits 14:8 – REC[6:0] Receive Error Counter

Actual state of the Receive Error Counter, values between 0 and 127.

#### Bits 7:0 – TEC[7:0] Transmit Error Counter

Actual state of the Transmit Error Counter, values between 0 and 255.

### 38.6.13 MCAN Protocol Status Register

**Name:** MCAN\_PSR  
**Offset:** 0x44  
**Reset:** 0x00000707  
**Property:** Read-only

Bit	31	30	29	28	27	26	25	24
Access								
Reset								
Bit	23	22	21	20	19	18	17	16
Access		TDCV[6:0]						
Reset		R	R	R	R	R	R	R
Reset		0	0	0	0	0	0	0
Bit	15	14	13	12	11	10	9	8
Access		PXE	RFDF	RBRS	RESI	DLEC[2:0]		
Reset		R	R	R	R	R	R	R
Reset		0	0	0	0	1	1	1
Bit	7	6	5	4	3	2	1	0
Access		BO	EW	EP	ACT[1:0]		LEC[2:0]	
Reset		R	R	R	R	R	R	R
Reset		0	0	0	0	0	1	1

#### Bits 22:16 – TDCV[6:0] Transmitter Delay Compensation Value

0 to 127: Position of the secondary sample point, in CAN core clock periods, defined by the sum of the measured delay from CANTX to CANRX and MCAN\_TDCR.TDCO.

#### Bit 14 – PXE Protocol Exception Event (cleared on read)

Value	Description
0	No protocol exception event occurred since last read access
1	Protocol exception event occurred

#### Bit 13 – RFDF Received a CAN FD Message (cleared on read)

This bit is set independently from acceptance filtering.

Value	Description
0	Since this bit was reset by the CPU, no CAN FD message has been received
1	Message in CAN FD format with FDF flag set has been received

#### Bit 12 – RBRS BRS Flag of Last Received CAN FD Message (cleared on read)

This bit is set together with RFDF, independently from acceptance filtering.

Value	Description
0	Last received CAN FD message did not have its BRS flag set.
1	Last received CAN FD message had its BRS flag set.

#### Bit 11 – RESI ESI Flag of Last Received CAN FD Message (cleared on read)

This bit is set together with RFDF, independently from acceptance filtering.

Value	Description
0	Last received CAN FD message did not have its ESI flag set.
1	Last received CAN FD message had its ESI flag set.

**Bits 10:8 – DLEC[2:0]** Data Phase Last Error Code (set to 111 on read)

Type of last error that occurred in the data phase of a CAN FD format frame with its BRS flag set.

Coding is the same as for LEC. This field will be cleared to zero when a CAN FD format frame with its BRS flag set has been transferred (reception or transmission) without error.

**Bit 7 – BO** Bus\_Off Status

Value	Description
0	The MCAN is not Bus_Off.
1	The MCAN is in Bus_Off state.

**Bit 6 – EW** Warning Status

Value	Description
0	Both error counters are below the Error_Warning limit of 96.
1	At least one of error counter has reached the Error_Warning limit of 96.

**Bit 5 – EP** Error Passive

Value	Description
0	The MCAN is in the Error_Active state. It normally takes part in bus communication and sends an active error flag when an error has been detected.
1	The MCAN is in the Error_Passive state.

**Bits 4:3 – ACT[1:0]** Activity

Monitors the CAN communication state of the CAN module.

Value	Name	Description
0	SYNCHRONIZING	Node is synchronizing on CAN communication
1	IDLE	Node is neither receiver nor transmitter
2	RECEIVER	Node is operating as receiver
3	TRANSMITTER	Node is operating as transmitter

**Bits 2:0 – LEC[2:0]** Last Error Code (set to 111 on read)

The LEC indicates the type of the last error to occur on the CAN bus. This field is cleared when a message has been transferred (reception or transmission) without error.

Value	Name	Description
0	NO_ERROR	No error occurred since LEC has been reset by successful reception or transmission.
1	STUFF_ERROR	More than 5 equal bits in a sequence have occurred in a part of a received message where this is not allowed.
2	FORM_ERROR	A fixed format part of a received frame has the wrong format.
3	ACK_ERROR	The message transmitted by the MCAN was not acknowledged by another node.
4	BIT1_ERROR	During transmission of a message (with the exception of the arbitration field), the device tried to send a recessive level (bit of logical value '1'), but the monitored bus value was dominant.
5	BIT0_ERROR	During transmission of a message (or acknowledge bit, or active error flag, or overload flag), the device tried to send a dominant level (data or identifier bit logical value '0'), but the monitored bus value was recessive. During Bus_Off recovery, this status is set each time a sequence of 11 recessive bits has been monitored. This enables the processor to monitor the proceeding of the Bus_Off recovery sequence (indicating the bus is not stuck at dominant or continuously disturbed).
6	CRC_ERROR	The CRC check sum of a received message was incorrect. The CRC of an incoming message does not match the CRC calculated from the received data.
7	NO_CHANGE	Any read access to the Protocol Status Register re-initializes the LEC to '7'. When the LEC shows value '7', no CAN bus event was detected since the last processor read access to the Protocol Status Register.

### 38.6.14 MCAN Transmitter Delay Compensation Register

**Name:** MCAN\_TDCR  
**Offset:** 0x48  
**Reset:** 0x00000000  
**Property:** Read/Write

Bit	31	30	29	28	27	26	25	24
Access								
Reset								
Bit	23	22	21	20	19	18	17	16
Access								
Reset								
Bit	15	14	13	12	11	10	9	8
Access		TDCO[6:0]						
Reset		R/W	R/W	R/W	R/W	R/W	R/W	R/W
Reset		0	0	0	0	0	0	0
Bit	7	6	5	4	3	2	1	0
Access		TDCF[6:0]						
Reset		R/W	R/W	R/W	R/W	R/W	R/W	R/W
Reset		0	0	0	0	0	0	0

#### Bits 14:8 – TDCO[6:0] Transmitter Delay Compensation Offset

0 to 127: Offset value, in CAN core clock periods, defining the distance between the measured delay from CANTX to CANRX and the secondary sample point.

#### Bits 6:0 – TDCF[6:0] Transmitter Delay Compensation Filter

0 to 127: defines the minimum value for the SSP position, in CAN core clock periods. Dominant edges on CANRX that would result in an earlier SSP position are ignored for transmitter delay measurement. The feature is enabled when TDCF is configured to a value greater than TDCO.



### 38.6.15 MCAN Interrupt Register

**Name:** MCAN\_IR  
**Offset:** 0x50  
**Reset:** 0x00000000  
**Property:** Read/Write

The flags are set when one of the listed conditions is detected (edge-sensitive). The flags remain set until the processor clears them. A flag is cleared by writing a '1' to the corresponding bit position. Writing a '0' has no effect. A hard reset will clear the register. The configuration of IE controls whether an interrupt is generated. The configuration of ILS controls on which interrupt line an interrupt is signalled.

Bit	31	30	29	28	27	26	25	24
			ARA	PED	PEA	WDI	BO	EW
Access			R/W	R/W	R/W	R/W	R/W	R/W
Reset			0	0	0	0	0	0
Bit	23	22	21	20	19	18	17	16
	EP	ELO			DRX	TOO	MRAF	TSW
Access	R/W	R/W			R/W	R/W	R/W	R/W
Reset	0	0			0	0	0	0
Bit	15	14	13	12	11	10	9	8
	TEFL	TEFF	TEFW	TEFN	TFE	TCF	TC	HPM
Access	R/W	R/W	R/W	R/W	R/W	R/W	R/W	R/W
Reset	0	0	0	0	0	0	0	0
Bit	7	6	5	4	3	2	1	0
	RF1L	RF1F	RF1W	RF1N	RF0L	RF0F	RF0W	RF0N
Access	R/W	R/W	R/W	R/W	R/W	R/W	R/W	R/W
Reset	0	0	0	0	0	0	0	0

#### Bit 29 – ARA Access to Reserved Address

Value	Description
0	No access to reserved address occurred
1	Access to reserved address occurred

#### Bit 28 – PED Protocol Error in Data Phase

Value	Description
0	No protocol error in data phase
1	Protocol error in data phase detected (MCAN_PSR.DLEC differs from 0 or 7)

#### Bit 27 – PEA Protocol Error in Arbitration Phase

Value	Description
0	No protocol error in arbitration phase
1	Protocol error in arbitration phase detected (MCAN_PSR.LEC differs from 0 or 7)

#### Bit 26 – WDI Watchdog Interrupt

Value	Description
0	No Message RAM Watchdog event occurred.
1	Message RAM Watchdog event due to missing READY.

#### Bit 25 – BO Bus\_Off Status

Value	Description
0	Bus_Off status unchanged.
1	Bus_Off status changed.

**Bit 24 – EW** Warning Status

Value	Description
0	Error_Warning status unchanged.
1	Error_Warning status changed.

**Bit 23 – EP** Error Passive

Value	Description
0	Error_Passive status unchanged.
1	Error_Passive status changed.

**Bit 22 – ELO** Error Logging Overflow

Value	Description
0	CAN Error Logging Counter did not overflow.
1	Overflow of CAN Error Logging Counter occurred.

**Bit 19 – DRX** Message stored to Dedicated Receive Buffer

The flag is set whenever a received message has been stored into a dedicated Receive Buffer.

Value	Description
0	No Receive Buffer updated.
1	At least one received message stored into a Receive Buffer.

**Bit 18 – TOO** Timeout Occurred

Value	Description
0	No timeout.
1	Timeout reached.

**Bit 17 – MRAF** Message RAM Access Failure

The flag is set, when the Rx Handler

- has not completed acceptance filtering or storage of an accepted message until the arbitration field of the following message has been received. In this case acceptance filtering or message storage is aborted and the Rx Handler starts processing of the following message.
- was not able to write a message to the Message RAM. In this case message storage is aborted.

In both cases the FIFO put index is not updated resp. the New Data flag for a dedicated Receive Buffer is not set, a partly stored message is overwritten when the next message is stored to this location.

The flag is also set when the Tx Handler was not able to read a message from the Message RAM in time. In this case message transmission is aborted. In case of a Tx Handler access failure the MCAN is switched into Restricted Operation mode (see [Restricted Operation Mode](#)). To leave Restricted Operation mode, the processor has to reset MCAN\_CCCR.ASM.

Value	Description
0	No Message RAM access failure occurred.
1	Message RAM access failure occurred.

**Bit 16 – TSW** Timestamp Wraparound

Value	Description
0	No timestamp counter wrap-around.
1	Timestamp counter wrapped around.

**Bit 15 – TEFL** Tx Event FIFO Element Lost

Value	Description
0	No Tx Event FIFO element lost.

Value	Description
1	Tx Event FIFO element lost, also set after write attempt to Tx Event FIFO of size zero.

**Bit 14 – TEFF Tx Event FIFO Full**

Value	Description
0	Tx Event FIFO not full.
1	Tx Event FIFO full.

**Bit 13 – TEFW Tx Event FIFO Watermark Reached**

Value	Description
0	Tx Event FIFO fill level below watermark.
1	Tx Event FIFO fill level reached watermark.

**Bit 12 – TEFN Tx Event FIFO New Entry**

Value	Description
0	Tx Event FIFO unchanged.
1	Tx Handler wrote Tx Event FIFO element.

**Bit 11 – TFE Tx FIFO Empty**

Value	Description
0	Tx FIFO non-empty.
1	Tx FIFO empty.

**Bit 10 – TCF Transmission Cancellation Finished**

Value	Description
0	No transmission cancellation finished.
1	Transmission cancellation finished.

**Bit 9 – TC Transmission Completed**

Value	Description
0	No transmission completed.
1	Transmission completed.

**Bit 8 – HPM High Priority Message**

Value	Description
0	No high priority message received.
1	High priority message received.

**Bit 7 – RF1L Receive FIFO 1 Message Lost**

Value	Description
0	No Receive FIFO 1 message lost.
1	Receive FIFO 1 message lost, also set after write attempt to Receive FIFO 1 of size zero.

**Bit 6 – RF1F Receive FIFO 1 Full**

Value	Description
0	Receive FIFO 1 not full.
1	Receive FIFO 1 full.

**Bit 5 – RF1W Receive FIFO 1 Watermark Reached**

Value	Description
0	Receive FIFO 1 fill level below watermark.
1	Receive FIFO 1 fill level reached watermark.

**Bit 4 – RF1N Receive FIFO 1 New Message**

Value	Description
0	No new message written to Receive FIFO 1.
1	New message written to Receive FIFO 1.

**Bit 3 – RF0L** Receive FIFO 0 Message Lost

Value	Description
0	No Receive FIFO 0 message lost.
1	Receive FIFO 0 message lost, also set after write attempt to Receive FIFO 0 of size zero.

**Bit 2 – RF0F** Receive FIFO 0 Full

Value	Description
0	Receive FIFO 0 not full.
1	Receive FIFO 0 full.

**Bit 1 – RF0W** Receive FIFO 0 Watermark Reached

Value	Description
0	Receive FIFO 0 fill level below watermark.
1	Receive FIFO 0 fill level reached watermark.

**Bit 0 – RF0N** Receive FIFO 0 New Message

Value	Description
0	No new message written to Receive FIFO 0.
1	New message written to Receive FIFO 0.

### 38.6.16 MCAN Interrupt Enable Register

**Name:** MCAN\_IE  
**Offset:** 0x54  
**Reset:** 0x00000000  
**Property:** Read/Write

The following configuration values are valid for all listed bit names of this register:

0: Disables the corresponding interrupt.

1: Enables the corresponding interrupt.

Bit	31	30	29	28	27	26	25	24
			ARAE	PEDE	PEAE	WDIE	BOE	EWE
Access			R/W	R/W	R/W	R/W	R/W	R/W
Reset			0	0	0	0	0	0
Bit	23	22	21	20	19	18	17	16
	EPE	ELOE			DRXE	TOOE	MRAFE	TSWE
Access	R/W	R/W			R/W	R/W	R/W	R/W
Reset	0	0			0	0	0	0
Bit	15	14	13	12	11	10	9	8
	TEFLE	TEFFE	TEFWE	TEFNE	TFEE	TCFE	TCE	HPME
Access	R/W	R/W	R/W	R/W	R/W	R/W	R/W	R/W
Reset	0	0	0	0	0	0	0	0
Bit	7	6	5	4	3	2	1	0
	RF1LE	RF1FE	RF1WE	RF1NE	RFOLE	RFOFE	RFOWE	RFONE
Access	R/W	R/W	R/W	R/W	R/W	R/W	R/W	R/W
Reset	0	0	0	0	0	0	0	0

**Bit 29 – ARAE** Access to Reserved Address Enable

**Bit 28 – PEDE** Protocol Error in Data Phase Enable

**Bit 27 – PEAE** Protocol Error in Arbitration Phase Enable

**Bit 26 – WDIE** Watchdog Interrupt Enable

**Bit 25 – BOE** Bus\_Off Status Interrupt Enable

**Bit 24 – EWE** Warning Status Interrupt Enable

**Bit 23 – EPE** Error Passive Interrupt Enable

**Bit 22 – ELOE** Error Logging Overflow Interrupt Enable

**Bit 19 – DRXE** Message stored to Dedicated Receive Buffer Interrupt Enable

**Bit 18 – TOOE** Timeout Occurred Interrupt Enable

**Bit 17 – MRAFE** Message RAM Access Failure Interrupt Enable

- Bit 16 – TSWE** Timestamp Wraparound Interrupt Enable
- Bit 15 – TEFLE** Tx Event FIFO Event Lost Interrupt Enable
- Bit 14 – TEFFE** Tx Event FIFO Full Interrupt Enable
- Bit 13 – TEFWE** Tx Event FIFO Watermark Reached Interrupt Enable
- Bit 12 – TEFNE** Tx Event FIFO New Entry Interrupt Enable
- Bit 11 – TFEE** Tx FIFO Empty Interrupt Enable
- Bit 10 – TCFE** Transmission Cancellation Finished Interrupt Enable
- Bit 9 – TCE** Transmission Completed Interrupt Enable
- Bit 8 – HPME** High Priority Message Interrupt Enable
- Bit 7 – RF1LE** Receive FIFO 1 Message Lost Interrupt Enable
- Bit 6 – RF1FE** Receive FIFO 1 Full Interrupt Enable
- Bit 5 – RF1WE** Receive FIFO 1 Watermark Reached Interrupt Enable
- Bit 4 – RF1NE** Receive FIFO 1 New Message Interrupt Enable
- Bit 3 – RFOLE** Receive FIFO 0 Message Lost Interrupt Enable
- Bit 2 – RFOFE** Receive FIFO 0 Full Interrupt Enable
- Bit 1 – RFOWE** Receive FIFO 0 Watermark Reached Interrupt Enable
- Bit 0 – RFO NE** Receive FIFO 0 New Message Interrupt Enable

### 38.6.17 MCAN Interrupt Line Select Register

**Name:** MCAN\_ILS  
**Offset:** 0x58  
**Reset:** 0x00000000  
**Property:** Read/Write

The Interrupt Line Select register assigns an interrupt generated by a specific interrupt flag from the Interrupt Register to one of the two module interrupt lines.

0: Interrupt assigned to interrupt line MCAN\_INT0.

1: Interrupt assigned to interrupt line MCAN\_INT1.

Bit	31	30	29	28	27	26	25	24
			ARAL	PEDL	PEAL	WDIL	BOL	EWL
Access			R/W	R/W	R/W	R/W	R/W	R/W
Reset			0	0	0	0	0	0
Bit	23	22	21	20	19	18	17	16
	EPL	ELOL			DRXL	TOOL	MRAFL	TSWL
Access	R/W	R/W			R/W	R/W	R/W	R/W
Reset	0	0			0	0	0	0
Bit	15	14	13	12	11	10	9	8
	TEFLL	TEFFL	TEFWL	TEFNL	TFEL	TCFL	TCL	HPML
Access	R/W	R/W	R/W	R/W	R/W	R/W	R/W	R/W
Reset	0	0	0	0	0	0	0	0
Bit	7	6	5	4	3	2	1	0
	RF1LL	RF1FL	RF1WL	RF1NL	RFOLL	RF0FL	RF0WL	RF0NL
Access	R/W	R/W	R/W	R/W	R/W	R/W	R/W	R/W
Reset	0	0	0	0	0	0	0	0

**Bit 29 – ARAL** Access to Reserved Address Line

**Bit 28 – PEDL** Protocol Error in Data Phase Line

**Bit 27 – PEAL** Protocol Error in Arbitration Phase Line

**Bit 26 – WDIL** Watchdog Interrupt Line

**Bit 25 – BOL** Bus\_Off Status Interrupt Line

**Bit 24 – EWL** Warning Status Interrupt Line

**Bit 23 – EPL** Error Passive Interrupt Line

**Bit 22 – ELOL** Error Logging Overflow Interrupt Line

**Bit 19 – DRXL** Message stored to Dedicated Receive Buffer Interrupt Line

**Bit 18 – TOOL** Timeout Occurred Interrupt Line

**Bit 17 – MRAFL** Message RAM Access Failure Interrupt Line

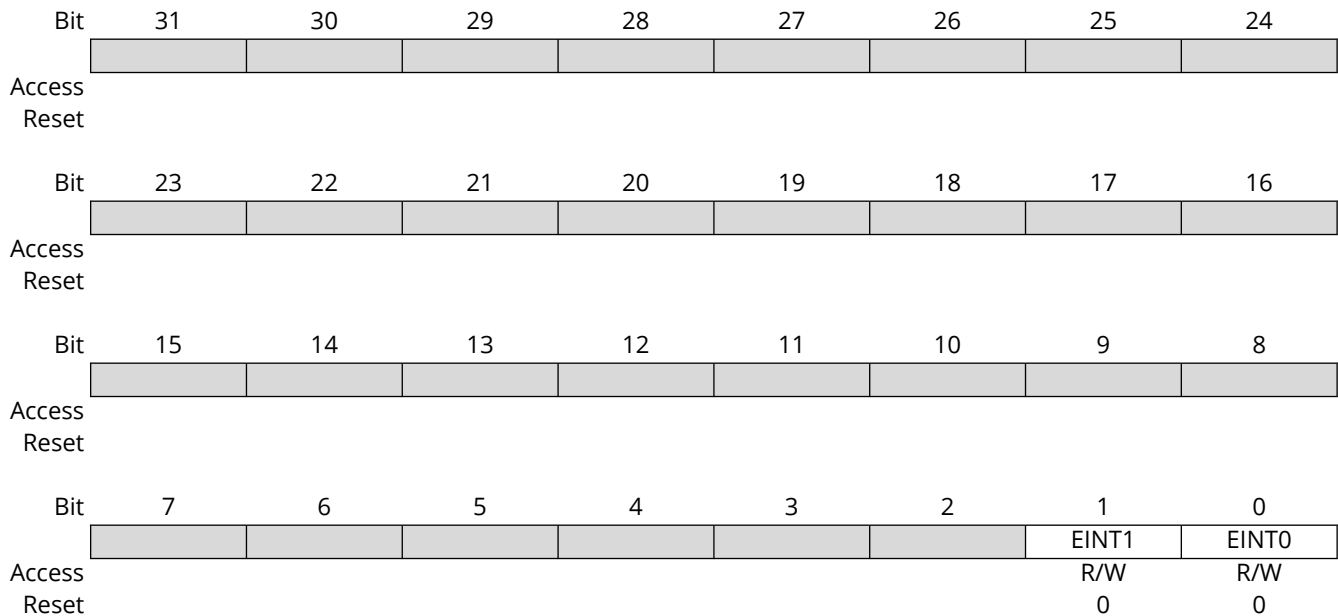
- Bit 16 – TSWL** Timestamp Wraparound Interrupt Line
- Bit 15 – TEFLL** Tx Event FIFO Event Lost Interrupt Line
- Bit 14 – TEFFL** Tx Event FIFO Full Interrupt Line
- Bit 13 – TEFWL** Tx Event FIFO Watermark Reached Interrupt Line
- Bit 12 – TEFNL** Tx Event FIFO New Entry Interrupt Line
- Bit 11 – TFEL** Tx FIFO Empty Interrupt Line
- Bit 10 – TCFL** Transmission Cancellation Finished Interrupt Line
- Bit 9 – TCL** Transmission Completed Interrupt Line
- Bit 8 – HPML** High Priority Message Interrupt Line
- Bit 7 – RF1LL** Receive FIFO 1 Message Lost Interrupt Line
- Bit 6 – RF1FL** Receive FIFO 1 Full Interrupt Line
- Bit 5 – RF1WL** Receive FIFO 1 Watermark Reached Interrupt Line
- Bit 4 – RF1NL** Receive FIFO 1 New Message Interrupt Line
- Bit 3 – RF0LL** Receive FIFO 0 Message Lost Interrupt Line
- Bit 2 – RF0FL** Receive FIFO 0 Full Interrupt Line
- Bit 1 – RF0WL** Receive FIFO 0 Watermark Reached Interrupt Line
- Bit 0 – RF0NL** Receive FIFO 0 New Message Interrupt Line



### 38.6.18 MCAN Interrupt Line Enable

**Name:** MCAN\_ILE  
**Offset:** 0x5C  
**Reset:** 0x00000000  
**Property:** Read/Write

Each of the two interrupt lines to the processor can be enabled/disabled separately by programming bits EINT0 and EINT1.



#### Bit 1 - EINT1 Enable Interrupt Line 1

Value	Description
0	Interrupt line MCAN_INT1 disabled.
1	Interrupt line MCAN_INT1 enabled.

#### Bit 0 - EINT0 Enable Interrupt Line 0

Value	Description
0	Interrupt line MCAN_INT0 disabled.
1	Interrupt line MCAN_INT0 enabled.

### 38.6.19 MCAN Global Filter Configuration

**Name:** MCAN\_GFC  
**Offset:** 0x80  
**Reset:** 0x00000000  
**Property:** Read/Write

Global settings for Message ID filtering. The Global Filter Configuration controls the filter path for standard and extended messages as illustrated in [Standard Message ID Filter Path](#) and [Extended Message ID Filter Path](#).

This register can only be written if the bits CCE and INIT are set in [MCAN CC Control Register](#).

Bit	31	30	29	28	27	26	25	24
Access								
Reset								
Bit	23	22	21	20	19	18	17	16
Access								
Reset								
Bit	15	14	13	12	11	10	9	8
Access								
Reset								
Bit	7	6	5	4	3	2	1	0
Access			ANFS[1:0]		ANFE[1:0]		RRFS	RRFE
Reset			R/W	R/W	R/W	R/W	R/W	R/W
			0	0	0	0	0	0

#### Bits 5:4 – ANFS[1:0] Accept Non-matching Frames Standard

Defines how received messages with 11-bit IDs that do not match any element of the filter list are treated.

Value	Name	Description
0	RX_FIFO_0	Accept in Rx FIFO 0
1	RX_FIFO_1	Accept in Rx FIFO 1
2-3	REJECTED	Message rejected

#### Bits 3:2 – ANFE[1:0] Accept Non-matching Frames Extended

Defines how received messages with 29-bit IDs that do not match any element of the filter list are treated.

Value	Name	Description
0	RX_FIFO_0	Accept in Rx FIFO 0
1	RX_FIFO_1	Accept in Rx FIFO 1
2-3	REJECTED	Message rejected

#### Bit 1 – RRFS Reject Remote Frames Standard

0 (FILTER): Filter remote frames with 11-bit standard IDs.

1 (REJECT): Reject all remote frames with 11-bit standard IDs.

#### Bit 0 – RRFE Reject Remote Frames Extended

0 (FILTER): Filter remote frames with 29-bit extended IDs.

1 (REJECT): Reject all remote frames with 29-bit extended IDs.

### 38.6.20 MCAN Standard ID Filter Configuration

**Name:** MCAN\_SIDFC  
**Offset:** 0x84  
**Reset:** 0x00000000  
**Property:** Read/Write

Settings for 11-bit standard Message ID filtering. The Standard ID Filter Configuration controls the filter path for standard messages as illustrated in [Standard Message ID Filter Path](#).

This register can only be written if the bits CCE and INIT are set in [MCAN CC Control Register](#).

Bit	31	30	29	28	27	26	25	24	
Access									
Reset									
Bit	23	22	21	20	19	18	17	16	
	LSS[7:0]								
Access	R/W	R/W	R/W	R/W	R/W	R/W	R/W	R/W	
Reset	0	0	0	0	0	0	0	0	
Bit	15	14	13	12	11	10	9	8	
	FLSSA[13:6]								
Access	R/W	R/W	R/W	R/W	R/W	R/W	R/W	R/W	
Reset	0	0	0	0	0	0	0	0	
Bit	7	6	5	4	3	2	1	0	
	FLSSA[5:0]								
Access	R/W	R/W	R/W	R/W	R/W	R/W			
Reset	0	0	0	0	0	0			

**Bits 23:16 – LSS[7:0]** List Size Standard  
 >128: Values greater than 128 are interpreted as 128.

Value	Description
0	No standard Message ID filter.
1–128	Number of standard Message ID filter elements.

**Bits 15:2 – FLSSA[13:0]** Filter List Standard Start Address  
 Start address of standard Message ID filter list (32-bit word address, see [Message RAM Configuration](#)).  
 Write FLSSA with the bits [15:2] of the 32-bit address.

### 38.6.21 MCAN Extended ID Filter Configuration

**Name:** MCAN\_XIDFC  
**Offset:** 0x88  
**Reset:** 0x00000000  
**Property:** Read/Write

Settings for 29-bit extended Message ID filtering. The Extended ID Filter Configuration controls the filter path for standard messages as described in [Extended Message ID Filter Path](#).

This register can only be written if the bits CCE and INIT are set in [MCAN CC Control Register](#).

Bit	31	30	29	28	27	26	25	24
Access								
Reset								
Bit	23	22	21	20	19	18	17	16
Access		LSE[6:0]						
Reset		R/W	R/W	R/W	R/W	R/W	R/W	R/W
Reset		0	0	0	0	0	0	0
Bit	15	14	13	12	11	10	9	8
Access	FLESA[13:6]							
Reset	R/W	R/W	R/W	R/W	R/W	R/W	R/W	R/W
Reset	0	0	0	0	0	0	0	0
Bit	7	6	5	4	3	2	1	0
Access	FLESA[5:0]							
Reset	R/W	R/W	R/W	R/W	R/W	R/W		
Reset	0	0	0	0	0	0		

#### Bits 22:16 – LSE[6:0] List Size Extended

Value	Description
0	No extended Message ID filter.
1–64	Number of extended Message ID filter elements.
>64	Values greater than 64 are interpreted as 64.

#### Bits 15:2 – FLESA[13:0] Filter List Extended Start Address

Start address of extended Message ID filter list (32-bit word address, see [Message RAM Configuration](#)).

Write FLESA with the bits [15:2] of the 32-bit address.

### 38.6.22 MCAN Extended ID AND Mask

**Name:** MCAN\_XIDAM  
**Offset:** 0x90  
**Reset:** 0x1FFFFFFF  
**Property:** Read/Write

This register can only be written if the bits CCE and INIT are set in [MCAN CC Control Register](#).

Bit	31	30	29	28	27	26	25	24
				EIDM[28:24]				
Access				R/W	R/W	R/W	R/W	R/W
Reset				1	1	1	1	1
Bit	23	22	21	20	19	18	17	16
	EIDM[23:16]							
Access	R/W	R/W	R/W	R/W	R/W	R/W	R/W	R/W
Reset	1	1	1	1	1	1	1	1
Bit	15	14	13	12	11	10	9	8
	EIDM[15:8]							
Access	R/W	R/W	R/W	R/W	R/W	R/W	R/W	R/W
Reset	1	1	1	1	1	1	1	1
Bit	7	6	5	4	3	2	1	0
	EIDM[7:0]							
Access	R/W	R/W	R/W	R/W	R/W	R/W	R/W	R/W
Reset	1	1	1	1	1	1	1	1

#### Bits 28:0 – EIDM[28:0] Extended ID Mask

For acceptance filtering of extended frames the Extended ID AND Mask is ANDed with the Message ID of a received frame. Intended for masking of 29-bit IDs in SAE J1939. With the reset value of all bits set to one the mask is not active.

### 38.6.23 MCAN High Priority Message Status

**Name:** MCAN\_HPMS  
**Offset:** 0x94  
**Reset:** 0x00000000  
**Property:** Read-only

This register is updated every time a Message ID filter element configured to generate a priority event matches. This can be used to monitor the status of incoming high priority messages and to enable fast access to these messages.

Bit	31	30	29	28	27	26	25	24
Access								
Reset								
Bit	23	22	21	20	19	18	17	16
Access								
Reset								
Bit	15	14	13	12	11	10	9	8
Access	FLST	FIDX[6:0]						
Reset	R	R	R	R	R	R	R	R
Reset	0	0	0	0	0	0	0	0
Bit	7	6	5	4	3	2	1	0
Access	MSI[1:0]		BIDX[5:0]					
Reset	R	R	R	R	R	R	R	R
Reset	0	0	0	0	0	0	0	0

#### Bit 15 – FLST Filter List

Indicates the filter list of the matching filter element.

Value	Description
0	Standard filter list
1	Extended filter list

#### Bits 14:8 – FIDX[6:0] Filter Index

Index of matching filter element. Range is 0 to MCAN\_SIDFC.LSS - 1 resp. MCAN\_XIDFC.LSE - 1.

#### Bits 7:6 – MSI[1:0] Message Storage Indicator

Value	Name	Description
0	NO_FIFO_SEL	No FIFO selected.
1	LOST	FIFO message lost.
2	FIFO_0	Message stored in FIFO 0.
3	FIFO_1	Message stored in FIFO 1.

#### Bits 5:0 – BIDX[5:0] Buffer Index

Index of Receive FIFO element to which the message was stored. Only valid when MSI[1] = '1'.

**38.6.24 MCAN New Data 1**

**Name:** MCAN\_NDAT1  
**Offset:** 0x98  
**Reset:** 0x00000000  
**Property:** Read/Write

Bit	31	30	29	28	27	26	25	24
	ND31	ND30	ND29	ND28	ND27	ND26	ND25	ND24
Access	R/W	R/W	R/W	R/W	R/W	R/W	R/W	R/W
Reset	0	0	0	0	0	0	0	0
Bit	23	22	21	20	19	18	17	16
	ND23	ND22	ND21	ND20	ND19	ND18	ND17	ND16
Access	R/W	R/W	R/W	R/W	R/W	R/W	R/W	R/W
Reset	0	0	0	0	0	0	0	0
Bit	15	14	13	12	11	10	9	8
	ND15	ND14	ND13	ND12	ND11	ND10	ND9	ND8
Access	R/W	R/W	R/W	R/W	R/W	R/W	R/W	R/W
Reset	0	0	0	0	0	0	0	0
Bit	7	6	5	4	3	2	1	0
	ND7	ND6	ND5	ND4	ND3	ND2	ND1	ND0
Access	R/W	R/W	R/W	R/W	R/W	R/W	R/W	R/W
Reset	0	0	0	0	0	0	0	0

**Bits 0, 1, 2, 3, 4, 5, 6, 7, 8, 9, 10, 11, 12, 13, 14, 15, 16, 17, 18, 19, 20, 21, 22, 23, 24, 25, 26, 27, 28, 29, 30, 31 - NDx New Data**

The register holds the New Data flags of Receive Buffers 0 to 31. The flags are set when the respective Receive Buffer has been updated from a received frame. The flags remain set until the processor clears them. A flag is cleared by writing a '1' to the corresponding bit position. Writing a '0' has no effect. A hard reset will clear the register.

Value	Description
0	Receive Buffer not updated
1	Receive Buffer updated from new message



## 38.6.25 MCAN New Data 2

**Name:** MCAN\_NDAT2  
**Offset:** 0x9C  
**Reset:** 0x00000000  
**Property:** Read/Write

Bit	31	30	29	28	27	26	25	24
	ND63	ND62	ND61	ND60	ND59	ND58	ND57	ND56
Access	R/W	R/W	R/W	R/W	R/W	R/W	R/W	R/W
Reset	0	0	0	0	0	0	0	0
Bit	23	22	21	20	19	18	17	16
	ND55	ND54	ND53	ND52	ND51	ND50	ND49	ND48
Access	R/W	R/W	R/W	R/W	R/W	R/W	R/W	R/W
Reset	0	0	0	0	0	0	0	0
Bit	15	14	13	12	11	10	9	8
	ND47	ND46	ND45	ND44	ND43	ND42	ND41	ND40
Access	R/W	R/W	R/W	R/W	R/W	R/W	R/W	R/W
Reset	0	0	0	0	0	0	0	0
Bit	7	6	5	4	3	2	1	0
	ND39	ND38	ND37	ND36	ND35	ND34	ND33	ND32
Access	R/W	R/W	R/W	R/W	R/W	R/W	R/W	R/W
Reset	0	0	0	0	0	0	0	0

### Bits 0, 1, 2, 3, 4, 5, 6, 7, 8, 9, 10, 11, 12, 13, 14, 15, 16, 17, 18, 19, 20, 21, 22, 23, 24, 25, 26, 27, 28, 29, 30, 31 – NDx New Data

The register holds the New Data flags of Receive Buffers 32 to 63. The flags are set when the respective Receive Buffer has been updated from a received frame. The flags remain set until the processor clears them. A flag is cleared by writing a '1' to the corresponding bit position. Writing a '0' has no effect. A hard reset will clear the register.

Value	Description
0	Receive Buffer not updated.
1	Receive Buffer updated from new message.

### 38.6.26 MCAN Receive FIFO 0 Configuration

**Name:** MCAN\_RXFOC  
**Offset:** 0xA0  
**Reset:** 0x00000000  
**Property:** Read/Write

This register can only be written if the bits CCE and INIT are set in [MCAN CC Control Register](#).

Bit	31	30	29	28	27	26	25	24
	FOOM		FOWM[6:0]					
Access	R/W	R/W	R/W	R/W	R/W	R/W	R/W	R/W
Reset	0	0	0	0	0	0	0	0
Bit	23	22	21	20	19	18	17	16
		FOS[6:0]						
Access		R/W	R/W	R/W	R/W	R/W	R/W	R/W
Reset		0	0	0	0	0	0	0
Bit	15	14	13	12	11	10	9	8
	FOSA[13:6]							
Access	R/W	R/W	R/W	R/W	R/W	R/W	R/W	R/W
Reset	0	0	0	0	0	0	0	0
Bit	7	6	5	4	3	2	1	0
	FOSA[5:0]							
Access	R/W	R/W	R/W	R/W	R/W	R/W		
Reset	0	0	0	0	0	0		

#### Bit 31 – FOOM FIFO 0 Operation Mode

FIFO 0 can be operated in Blocking or in Overwrite mode (see [Rx FIFOs](#)).

Value	Description
0	FIFO 0 Blocking mode.
1	FIFO 0 Overwrite mode.

#### Bits 30:24 – FOWM[6:0] Receive FIFO 0 Watermark

Value	Description
0	Watermark interrupt disabled.
1–64	Level for Receive FIFO 0 watermark interrupt (MCAN_IR.RFOW).
>64	Watermark interrupt disabled.

#### Bits 22:16 – FOS[6:0] Receive FIFO 0 Size

The Receive FIFO 0 elements are indexed from 0 to FOS-1.

Value	Description
0	No Receive FIFO 0
1–64	Number of Receive FIFO 0 elements.
>64	Values greater than 64 are interpreted as 64.

#### Bits 15:2 – FOSA[13:0] Receive FIFO 0 Start Address

Start address of Receive FIFO 0 in Message RAM (32-bit word address, see [Message RAM Configuration](#)).

Write FOSA with the bits [15:2] of the 32-bit address.

### 38.6.27 MCAN Receive FIFO 0 Status

**Name:** MCAN\_RXF0S  
**Offset:** 0xA4  
**Reset:** 0x00000000  
**Property:** Read-only

Bit	31	30	29	28	27	26	25	24
							RFOL	FOF
Access							R	R
Reset							0	0
Bit	23	22	21	20	19	18	17	16
			FOPI[5:0]					
Access			R	R	R	R	R	R
Reset			0	0	0	0	0	0
Bit	15	14	13	12	11	10	9	8
			FOGI[5:0]					
Access			R	R	R	R	R	R
Reset			0	0	0	0	0	0
Bit	7	6	5	4	3	2	1	0
	FOFL[6:0]							
Access		R	R	R	R	R	R	R
Reset		0	0	0	0	0	0	0

#### Bit 25 – RFOL Receive FIFO 0 Message Lost

This bit is a copy of interrupt flag MCAN\_IR.RFOL. When MCAN\_IR.RFOL is reset, this bit is also reset. Overwriting the oldest message when MCAN\_RXF0C.FOOM = '1' will not set this flag.

Value	Description
0	No Receive FIFO 0 message lost
1	Receive FIFO 0 message lost, also set after write attempt to Receive FIFO 0 of size zero

#### Bit 24 – FOF Receive FIFO 0 Full

Value	Description
0	Receive FIFO 0 not full.
1	Receive FIFO 0 full.

#### Bits 21:16 – FOPI[5:0] Receive FIFO 0 Put Index

Receive FIFO 0 write index pointer, range 0 to 63.

#### Bits 13:8 – FOGI[5:0] Receive FIFO 0 Get Index

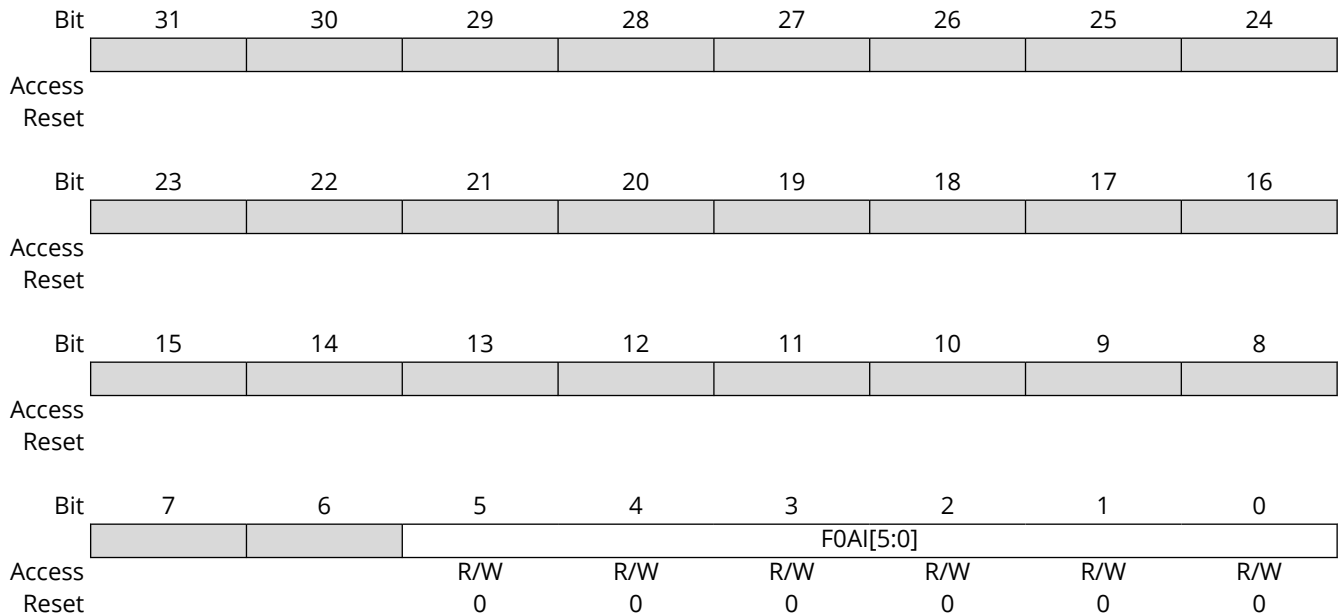
Receive FIFO 0 read index pointer, range 0 to 63.

#### Bits 6:0 – FOFL[6:0] Receive FIFO 0 Fill Level

Number of elements stored in Receive FIFO 0, range 0 to 64.

### 38.6.28 MCAN Receive FIFO 0 Acknowledge

**Name:** MCAN\_RXFOA  
**Offset:** 0xA8  
**Reset:** 0x00000000  
**Property:** Read/Write



#### Bits 5:0 – FOAI[5:0] Receive FIFO 0 Acknowledge Index

After the processor has read a message or a sequence of messages from Receive FIFO 0 it has to write the buffer index of the last element read from Receive FIFO 0 to FOAI. This will set the Receive FIFO 0 Get Index MCAN\_RXF0S.F0GI to FOAI + 1 and update the FIFO 0 Fill Level MCAN\_RXF0S.F0FL.

### 38.6.29 MCAN Receive Buffer Configuration

**Name:** MCAN\_RXBC  
**Offset:** 0xAC  
**Reset:** 0x00000000  
**Property:** Read/Write

Bit	31	30	29	28	27	26	25	24
Access								
Reset								
Bit	23	22	21	20	19	18	17	16
Access								
Reset								
Bit	15	14	13	12	11	10	9	8
Access	RBSA[13:6]							
Reset	0	0	0	0	0	0	0	0
Bit	7	6	5	4	3	2	1	0
Access	RBSA[5:0]							
Reset	0	0	0	0	0	0		

#### Bits 15:2 – RBSA[13:0] Receive Buffer Start Address

Configures the start address of the Receive Buffers section in the Message RAM (32-bit word address, see [Message RAM Configuration](#)). Also used to reference debug messages A,B,C. Write RBSA with the bits [15:2] of the 32-bit address.

### 38.6.30 MCAN Receive FIFO 1 Configuration

**Name:** MCAN\_RXF1C  
**Offset:** 0xB0  
**Reset:** 0x00000000  
**Property:** Read/Write

This register can only be written if the bits CCE and INIT are set in [MCAN CC Control Register](#).

Bit	31	30	29	28	27	26	25	24
	F1OM		F1WM[6:0]					
Access	R/W	R/W	R/W	R/W	R/W	R/W	R/W	R/W
Reset	0	0	0	0	0	0	0	0
Bit	23	22	21	20	19	18	17	16
		F1S[6:0]						
Access		R/W	R/W	R/W	R/W	R/W	R/W	R/W
Reset		0	0	0	0	0	0	0
Bit	15	14	13	12	11	10	9	8
	F1SA[13:6]							
Access	R/W	R/W	R/W	R/W	R/W	R/W	R/W	R/W
Reset	0	0	0	0	0	0	0	0
Bit	7	6	5	4	3	2	1	0
	F1SA[5:0]							
Access	R/W	R/W	R/W	R/W	R/W	R/W		
Reset	0	0	0	0	0	0		

#### Bit 31 – F1OM FIFO 1 Operation Mode

FIFO 1 can be operated in Blocking or in Overwrite mode (see [Rx FIFOs](#)).

Value	Description
0	FIFO 1 Blocking mode.
1	FIFO 1 Overwrite mode.

#### Bits 30:24 – F1WM[6:0] Receive FIFO 1 Watermark

Value	Description
0	Watermark interrupt disabled
1–64	Level for Receive FIFO 1 watermark interrupt (MCAN_IR.RF1W).
>64	Watermark interrupt disabled.

#### Bits 22:16 – F1S[6:0] Receive FIFO 1 Size

The elements in Receive FIFO 1 are indexed from 0 to F1S - 1.

Value	Description
0	No Receive FIFO 1
1–64	Number of elements in Receive FIFO 1.
>64	Values greater than 64 are interpreted as 64.

#### Bits 15:2 – F1SA[13:0] Receive FIFO 1 Start Address

Start address of Receive FIFO 1 in Message RAM (32-bit word address, see [Message RAM Configuration](#)).

Write F1SA with the bits [15:2] of the 32-bit address.

### 38.6.31 MCAN Receive FIFO 1 Status

**Name:** MCAN\_RXF1S  
**Offset:** 0xB4  
**Reset:** 0x00000000  
**Property:** Read-only

Bit	31	30	29	28	27	26	25	24
	DMS[1:0]						RF1L	F1F
Access	R	R					R	R
Reset	0	0					0	0
Bit	23	22	21	20	19	18	17	16
			F1PI[5:0]					
Access			R	R	R	R	R	R
Reset			0	0	0	0	0	0
Bit	15	14	13	12	11	10	9	8
			F1GI[5:0]					
Access			R	R	R	R	R	R
Reset			0	0	0	0	0	0
Bit	7	6	5	4	3	2	1	0
		F1FL[6:0]						
Access		R	R	R	R	R	R	R
Reset		0	0	0	0	0	0	0

#### Bits 31:30 – DMS[1:0] Debug Message Status

Value	Name	Description
0	IDLE	Idle state, wait for reception of debug messages, DMA request is cleared.
1	MSG_A	Debug message A received.
2	MSG_AB	Debug messages A, B received.
3	MSG_ABC	Debug messages A, B, C received, DMA request is set.

#### Bit 25 – RF1L Receive FIFO 1 Message Lost

This bit is a copy of interrupt flag IR.RF1L. When IR.RF1L is reset, this bit is also reset. Overwriting the oldest message when MCAN\_RXF1C.F1OM = '1' will not set this flag.

Value	Description
0	No Receive FIFO 1 message lost.
1	Receive FIFO 1 message lost, also set after write attempt to Receive FIFO 1 of size zero.

#### Bit 24 – F1F Receive FIFO 1 Full

Value	Description
0	Receive FIFO 1 not full.
1	Receive FIFO 1 full.

#### Bits 21:16 – F1PI[5:0] Receive FIFO 1 Put Index

Receive FIFO 1 write index pointer, range 0 to 63.

#### Bits 13:8 – F1GI[5:0] Receive FIFO 1 Get Index

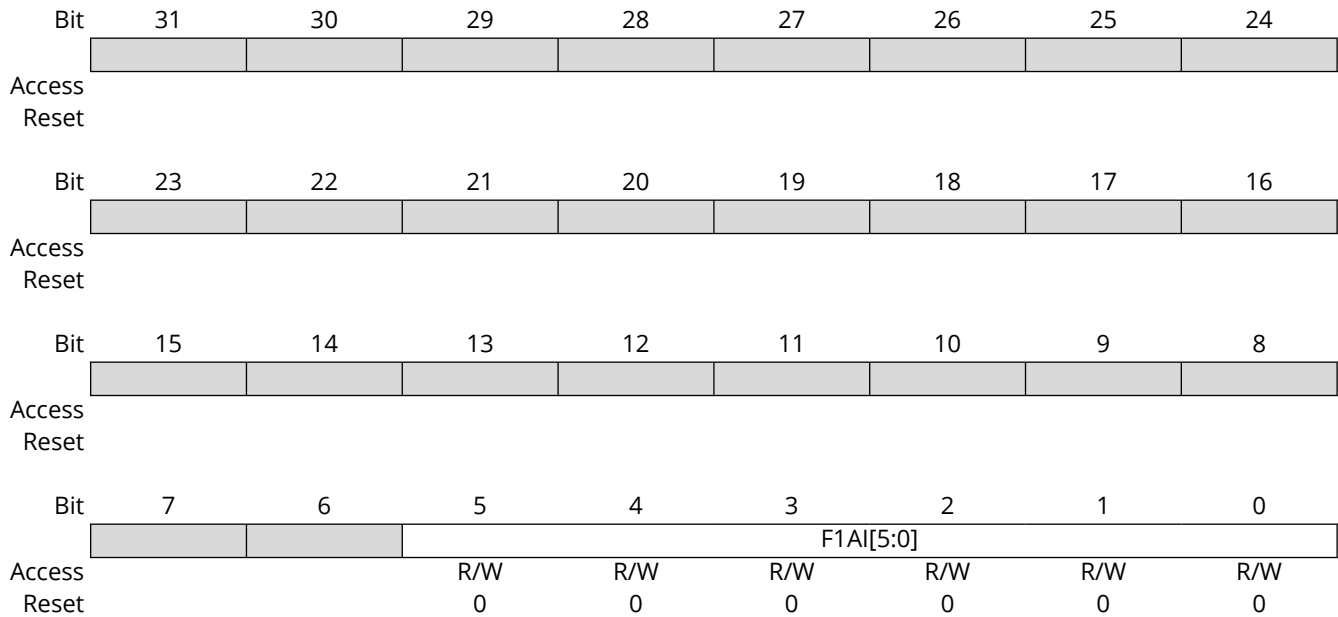
Receive FIFO 1 read index pointer, range 0 to 63.

#### Bits 6:0 – F1FL[6:0] Receive FIFO 1 Fill Level

Number of elements stored in Receive FIFO 1, range 0 to 64.

### 38.6.32 MCAN Receive FIFO 1 Acknowledge

**Name:** MCAN\_RXF1A  
**Offset:** 0xB8  
**Reset:** 0x00000000  
**Property:** Read/Write



#### Bits 5:0 – F1AI[5:0] Receive FIFO 1 Acknowledge Index

After the processor has read a message or a sequence of messages from Receive FIFO 1 it has to write the buffer index of the last element read from Receive FIFO 1 to F1AI. This will set the Receive FIFO 1 Get Index MCAN\_RXF1S.F1GI to F1AI + 1 and update the FIFO 1 Fill Level MCAN\_RXF1S.F1FL.



### 38.6.33 MCAN Receive Buffer / FIFO Element Size Configuration

**Name:** MCAN\_RXESC  
**Offset:** 0xBC  
**Reset:** 0x00000000  
**Property:** Read/Write

This register can only be written if the bits CCE and INIT are set in [MCAN CC Control Register](#).

Configures the number of data bytes belonging to a Receive Buffer / Receive FIFO element. Data field sizes >8 bytes are intended for CAN FD operation only.

In case the data field size of an accepted CAN frame exceeds the data field size configured for the matching Receive Buffer or Receive FIFO, only the number of bytes as configured by MCAN\_RXESC are stored to the Receive Buffer resp. Receive FIFO element. The rest of the frame's data field is ignored.

Bit	31	30	29	28	27	26	25	24
Access								
Reset								
Bit	23	22	21	20	19	18	17	16
Access								
Reset								
Bit	15	14	13	12	11	10	9	8
Access							RBDS[2:0]	
Reset						R/W	R/W	R/W
						0	0	0
Bit	7	6	5	4	3	2	1	0
Access		F1DS[2:0]				F0DS[2:0]		
Reset		R/W	R/W	R/W		R/W	R/W	R/W
		0	0	0		0	0	0

#### Bits 10:8 – RBDS[2:0] Receive Buffer Data Field Size

Value	Name	Description
0	8_BYTE	8-byte data field
1	12_BYTE	12-byte data field
2	16_BYTE	16-byte data field
3	20_BYTE	20-byte data field
4	24_BYTE	24-byte data field
5	32_BYTE	32-byte data field
6	48_BYTE	48-byte data field
7	64_BYTE	64-byte data field

#### Bits 6:4 – F1DS[2:0] Receive FIFO 1 Data Field Size

Value	Name	Description
0	8_BYTE	8-byte data field
1	12_BYTE	12-byte data field
2	16_BYTE	16-byte data field
3	20_BYTE	20-byte data field
4	24_BYTE	24-byte data field
5	32_BYTE	32-byte data field

Value	Name	Description
6	48_BYTE	48-byte data field
7	64_BYTE	64-byte data field

**Bits 2:0 – F0DS[2:0]** Receive FIFO 0 Data Field Size

Value	Name	Description
0	8_BYTE	8-byte data field
1	12_BYTE	12-byte data field
2	16_BYTE	16-byte data field
3	20_BYTE	20-byte data field
4	24_BYTE	24-byte data field
5	32_BYTE	32-byte data field
6	48_BYTE	48-byte data field
7	64_BYTE	64-byte data field

### 38.6.34 MCAN Tx Buffer Configuration

**Name:** MCAN\_TXBC  
**Offset:** 0xC0  
**Reset:** 0x00000000  
**Property:** Read/Write

This register can only be written if the bits CCE and INIT are set in [MCAN CC Control Register](#).

The sum of TFQS and NDTB may not exceed 32. There is no check for erroneous configurations. The Tx Buffers section in the Message RAM starts with the dedicated Tx Buffers.

Bit	31	30	29	28	27	26	25	24
		TFQM	TFQS[5:0]					
Access		R/W	R/W	R/W	R/W	R/W	R/W	R/W
Reset		0	0	0	0	0	0	0
Bit	23	22	21	20	19	18	17	16
			NDTB[5:0]					
Access			R/W	R/W	R/W	R/W	R/W	R/W
Reset			0	0	0	0	0	0
Bit	15	14	13	12	11	10	9	8
	TBSA[13:6]							
Access	R/W	R/W	R/W	R/W	R/W	R/W	R/W	R/W
Reset	0	0	0	0	0	0	0	0
Bit	7	6	5	4	3	2	1	0
	TBSA[5:0]							
Access	R/W	R/W	R/W	R/W	R/W	R/W		
Reset	0	0	0	0	0	0		

#### Bit 30 – TFQM Tx FIFO/Queue Mode

Value	Description
0	Tx FIFO operation.
1	Tx Queue operation.

#### Bits 29:24 – TFQS[5:0] Transmit FIFO/Queue Size

Value	Description
0	No Tx FIFO/Queue.
1–32	Number of Tx Buffers used for Tx FIFO/Queue.
>32	Values greater than 32 are interpreted as 32.

#### Bits 21:16 – NDTB[5:0] Number of Dedicated Transmit Buffers

Value	Description
0	No dedicated Tx Buffers.
1–32	Number of dedicated Tx Buffers.
>32	Values greater than 32 are interpreted as 32.

#### Bits 15:2 – TBSA[13:0] Tx Buffers Start Address

Start address of Tx Buffers section in Message RAM (32-bit word address, see [Message RAM Configuration](#)).

Write TBSA with the bits [15:2] of the 32-bit address.

### 38.6.35 MCAN Tx FIFO/Queue Status

**Name:** MCAN\_TXFQS  
**Offset:** 0xC4  
**Reset:** 0x00000000  
**Property:** Read-only

The Tx FIFO/Queue status is related to the pending Tx requests listed in register MCAN\_TXBRP. Therefore the effect of Add/Cancellation requests may be delayed due to a running Tx scan (MCAN\_TXBRP not yet updated).

In case of mixed configurations where dedicated Tx Buffers are combined with a Tx FIFO or a Tx Queue, the Put and Get Indices indicate the number of the Tx Buffer starting with the first dedicated Tx Buffers.

Example: For a configuration of 12 dedicated Tx Buffers and a Tx FIFO of 20 Buffers a Put Index of 15 points to the fourth buffer of the Tx FIFO.

Bit	31	30	29	28	27	26	25	24	
Access									
Reset									
Bit	23	22	21	20	19	18	17	16	
Access			TFQF	TFQPI[4:0]					
Reset			R	R	R	R	R	R	
Reset			0	0	0	0	0	0	
Bit	15	14	13	12	11	10	9	8	
Access				TFGI[4:0]					
Reset				R	R	R	R	R	
Reset				0	0	0	0	0	
Bit	7	6	5	4	3	2	1	0	
Access			TFFL[5:0]						
Reset			R	R	R	R	R	R	
Reset			0	0	0	0	0	0	

#### Bit 21 – TFQF Tx FIFO/Queue Full

Value	Description
0	Tx FIFO/Queue not full.
1	Tx FIFO/Queue full.

#### Bits 20:16 – TFQPI[4:0] Tx FIFO/Queue Put Index

Tx FIFO/Queue write index pointer, range 0 to 31.

#### Bits 12:8 – TFGI[4:0] Tx FIFO Get Index

Tx FIFO read index pointer, range 0 to 31. Read as zero when Tx Queue operation is configured (MCAN\_TXBC.TFQM = '1').

#### Bits 5:0 – TFFL[5:0] Tx FIFO Free Level

Number of consecutive free Tx FIFO elements starting from TFGI, range 0 to 32. Read as zero when Tx Queue operation is configured (MCAN\_TXBC.TFQM = '1').

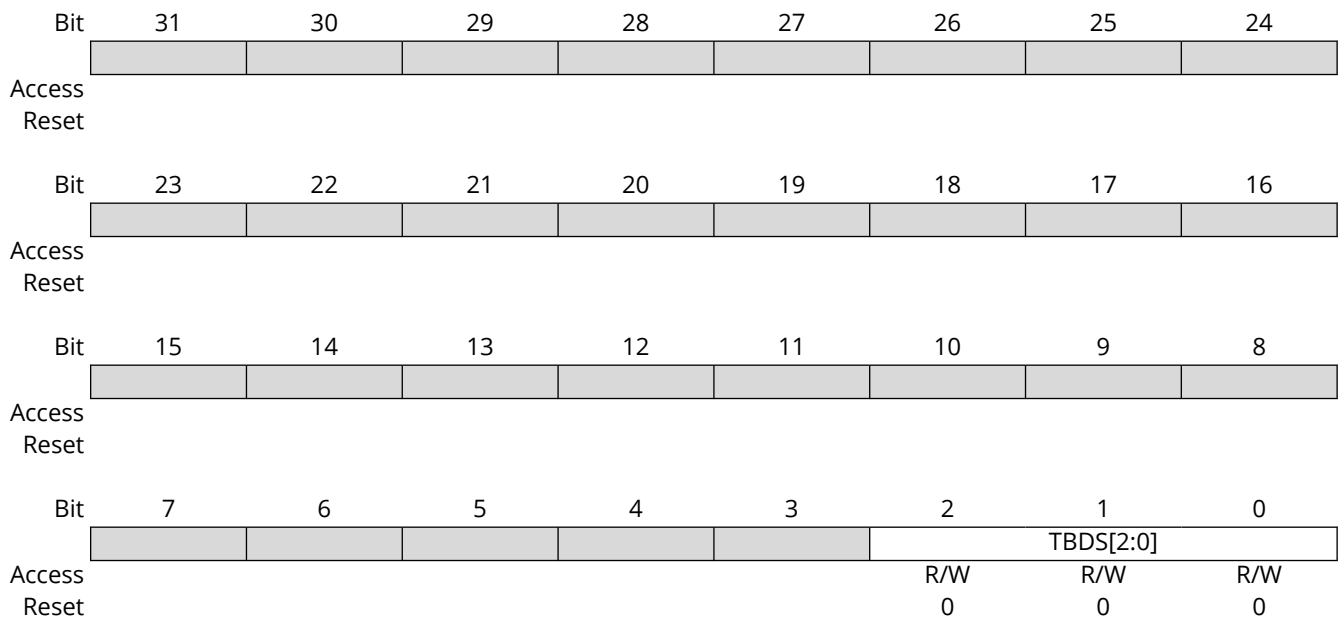
### 38.6.36 MCAN Tx Buffer Element Size Configuration

**Name:** MCAN\_TXESC  
**Offset:** 0xC8  
**Reset:** 0x00000000  
**Property:** Read/Write

This register can only be written if the bits CCE and INIT are set in [MCAN CC Control Register](#).

Configures the number of data bytes belonging to a Tx Buffer element. Data field sizes > 8 bytes are intended for CAN FD operation only.

In case the data length code DLC of a Tx Buffer element is configured to a value higher than the Tx Buffer data field size MCAN\_TXESC.TBDS, the bytes not defined by the Tx Buffer are transmitted as "0xCC" (padding bytes).



#### Bits 2:0 – TBDS[2:0] Tx Buffer Data Field Size

Value	Name	Description
0	8_BYTE	8-byte data field
1	12_BYTE	12-byte data field
2	16_BYTE	16-byte data field
3	20_BYTE	20-byte data field
4	24_BYTE	24-byte data field
5	32_BYTE	32-byte data field
6	48_BYTE	48- byte data field
7	64_BYTE	64-byte data field

### 38.6.37 MCAN Transmit Buffer Request Pending

**Name:** MCAN\_TXBRP  
**Offset:** 0xCC  
**Reset:** 0x00000000  
**Property:** Read-only

MCAN\_TXBRP bits which are set while a Tx scan is in progress are not considered during this particular Tx scan. In case a cancellation is requested for such a Tx Buffer, this Add Request is cancelled immediately, the corresponding MCAN\_TXBRP bit is reset.

Bit	31	30	29	28	27	26	25	24
	TRP31	TRP30	TRP29	TRP28	TRP27	TRP26	TRP25	TRP24
Access	R	R	R	R	R	R	R	R
Reset	0	0	0	0	0	0	0	0
Bit	23	22	21	20	19	18	17	16
	TRP23	TRP22	TRP21	TRP20	TRP19	TRP18	TRP17	TRP16
Access	R	R	R	R	R	R	R	R
Reset	0	0	0	0	0	0	0	0
Bit	15	14	13	12	11	10	9	8
	TRP15	TRP14	TRP13	TRP12	TRP11	TRP10	TRP9	TRP8
Access	R	R	R	R	R	R	R	R
Reset	0	0	0	0	0	0	0	0
Bit	7	6	5	4	3	2	1	0
	TRP7	TRP6	TRP5	TRP4	TRP3	TRP2	TRP1	TRP0
Access	R	R	R	R	R	R	R	R
Reset	0	0	0	0	0	0	0	0

#### Bits 0, 1, 2, 3, 4, 5, 6, 7, 8, 9, 10, 11, 12, 13, 14, 15, 16, 17, 18, 19, 20, 21, 22, 23, 24, 25, 26, 27, 28, 29, 30, 31 – TRPx Transmission Request Pending for Buffer x

Each Tx Buffer has its own Transmission Request Pending bit. The bits are set via register MCAN\_TXBAR. The bits are reset after a requested transmission has completed or has been cancelled via register MCAN\_TXBCR.

TXBRP bits are set only for those Tx Buffers configured via MCAN\_TXBC. After a MCAN\_TXBRP bit has been set, a Tx scan (see [Tx Handling](#)) is started to check for the pending Tx request with the highest priority (Tx Buffer with lowest Message ID).

A cancellation request resets the corresponding transmission request pending bit of register MCAN\_TXBRP. In case a transmission has already been started when a cancellation is requested, this is done at the end of the transmission, regardless whether the transmission was successful or not. The cancellation request bits are reset directly after the corresponding TXBRP bit has been reset.

After a cancellation has been requested, a finished cancellation is signalled via MCAN\_TXBCF.

- after successful transmission together with the corresponding MCAN\_TXBTO bit.
- when the transmission has not yet been started at the point of cancellation.
- when the transmission has been aborted due to lost arbitration.
- when an error occurred during frame transmission.

In DAR mode, all transmissions are automatically cancelled if they are not successful. The corresponding MCAN\_TXBCF bit is set for all unsuccessful transmissions.

Value	Description
0	No transmission request pending
1	Transmission request pending

### 38.6.38 MCAN Transmit Buffer Add Request

**Name:** MCAN\_TXBAR  
**Offset:** 0xD0  
**Reset:** 0x00000000  
**Property:** Read/Write

If an add request is applied for a Transmit Buffer with pending transmission request (corresponding MCAN\_TXBRP bit already set), this Add Request is ignored.

Bit	31	30	29	28	27	26	25	24
	AR31	AR30	AR29	AR28	AR27	AR26	AR25	AR24
Access	R/W	R/W	R/W	R/W	R/W	R/W	R/W	R/W
Reset	0	0	0	0	0	0	0	0
Bit	23	22	21	20	19	18	17	16
	AR23	AR22	AR21	AR20	AR19	AR18	AR17	AR16
Access	R/W	R/W	R/W	R/W	R/W	R/W	R/W	R/W
Reset	0	0	0	0	0	0	0	0
Bit	15	14	13	12	11	10	9	8
	AR15	AR14	AR13	AR12	AR11	AR10	AR9	AR8
Access	R/W	R/W	R/W	R/W	R/W	R/W	R/W	R/W
Reset	0	0	0	0	0	0	0	0
Bit	7	6	5	4	3	2	1	0
	AR7	AR6	AR5	AR4	AR3	AR2	AR1	AR0
Access	R/W	R/W	R/W	R/W	R/W	R/W	R/W	R/W
Reset	0	0	0	0	0	0	0	0

#### Bits 0, 1, 2, 3, 4, 5, 6, 7, 8, 9, 10, 11, 12, 13, 14, 15, 16, 17, 18, 19, 20, 21, 22, 23, 24, 25, 26, 27, 28, 29, 30, 31 – AR<sub>x</sub> Add Request for Transmit Buffer x

Each Transmit Buffer has its own Add Request bit. Writing a '1' will set the corresponding Add Request bit; writing a '0' has no impact. This enables the processor to set transmission requests for multiple Transmit Buffers with one write to MCAN\_TXBAR. MCAN\_TXBAR bits are set only for those Transmit Buffers configured via TXBC. When no Transmit scan is running, the bits are reset immediately, else the bits remain set until the Transmit scan process has completed.

Value	Description
0	No transmission request added.
1	Transmission requested added.

### 38.6.39 MCAN Transmit Buffer Cancellation Request

**Name:** MCAN\_TXBCR  
**Offset:** 0xD4  
**Reset:** 0x00000000  
**Property:** Read/Write

Bit	31	30	29	28	27	26	25	24
	CR31	CR30	CR29	CR28	CR27	CR26	CR25	CR24
Access	R/W	R/W	R/W	R/W	R/W	R/W	R/W	R/W
Reset	0	0	0	0	0	0	0	0
Bit	23	22	21	20	19	18	17	16
	CR23	CR22	CR21	CR20	CR19	CR18	CR17	CR16
Access	R/W	R/W	R/W	R/W	R/W	R/W	R/W	R/W
Reset	0	0	0	0	0	0	0	0
Bit	15	14	13	12	11	10	9	8
	CR15	CR14	CR13	CR12	CR11	CR10	CR9	CR8
Access	R/W	R/W	R/W	R/W	R/W	R/W	R/W	R/W
Reset	0	0	0	0	0	0	0	0
Bit	7	6	5	4	3	2	1	0
	CR7	CR6	CR5	CR4	CR3	CR2	CR1	CR0
Access	R/W	R/W	R/W	R/W	R/W	R/W	R/W	R/W
Reset	0	0	0	0	0	0	0	0

#### Bits 0, 1, 2, 3, 4, 5, 6, 7, 8, 9, 10, 11, 12, 13, 14, 15, 16, 17, 18, 19, 20, 21, 22, 23, 24, 25, 26, 27, 28, 29, 30, 31 – CRx Cancellation Request for Transmit Buffer x

Each Transmit Buffer has its own Cancellation Request bit. Writing a '1' will set the corresponding Cancellation Request bit; writing a '0' has no impact. This enables the processor to set cancellation requests for multiple Transmit Buffers with one write to MCAN\_TXBCR. MCAN\_TXBCR bits are set only for those Transmit Buffers configured via TXBC. The bits remain set until the corresponding bit of MCAN\_TXBRP is reset.

Value	Description
0	No cancellation pending.
1	Cancellation pending.



### 38.6.40 MCAN Transmit Buffer Transmission Occurred

**Name:** MCAN\_TXBTO  
**Offset:** 0xD8  
**Reset:** 0x00000000  
**Property:** Read-only

Bit	31	30	29	28	27	26	25	24
	TO31	TO30	TO29	TO28	TO27	TO26	TO25	TO24
Access	R	R	R	R	R	R	R	R
Reset	0	0	0	0	0	0	0	0
Bit	23	22	21	20	19	18	17	16
	TO23	TO22	TO21	TO20	TO19	TO18	TO17	TO16
Access	R	R	R	R	R	R	R	R
Reset	0	0	0	0	0	0	0	0
Bit	15	14	13	12	11	10	9	8
	TO15	TO14	TO13	TO12	TO11	TO10	TO9	TO8
Access	R	R	R	R	R	R	R	R
Reset	0	0	0	0	0	0	0	0
Bit	7	6	5	4	3	2	1	0
	TO7	TO6	TO5	TO4	TO3	TO2	TO1	TO0
Access	R	R	R	R	R	R	R	R
Reset	0	0	0	0	0	0	0	0

#### Bits 0, 1, 2, 3, 4, 5, 6, 7, 8, 9, 10, 11, 12, 13, 14, 15, 16, 17, 18, 19, 20, 21, 22, 23, 24, 25, 26, 27, 28, 29, 30, 31 – TOx Transmission Occurred for Buffer x

Each Transmit Buffer has its own Transmission Occurred bit. The bits are set when the corresponding MCAN\_TXBRP bit is cleared after a successful transmission. The bits are reset when a new transmission is requested by writing a '1' to the corresponding bit of register MCAN\_TXBAR.

Value	Description
0	No transmission occurred.
1	Transmission occurred.

**38.6.41 MCAN Transmit Buffer Cancellation Finished**

**Name:** MCAN\_TXBCF  
**Offset:** 0xDC  
**Reset:** 0x00000000  
**Property:** Read-only

Bit	31	30	29	28	27	26	25	24
	CF31	CF30	CF29	CF28	CF27	CF26	CF25	CF24
Access	R	R	R	R	R	R	R	R
Reset	0	0	0	0	0	0	0	0
Bit	23	22	21	20	19	18	17	16
	CF23	CF22	CF21	CF20	CF19	CF18	CF17	CF16
Access	R	R	R	R	R	R	R	R
Reset	0	0	0	0	0	0	0	0
Bit	15	14	13	12	11	10	9	8
	CF15	CF14	CF13	CF12	CF11	CF10	CF9	CF8
Access	R	R	R	R	R	R	R	R
Reset	0	0	0	0	0	0	0	0
Bit	7	6	5	4	3	2	1	0
	CF7	CF6	CF5	CF4	CF3	CF2	CF1	CF0
Access	R	R	R	R	R	R	R	R
Reset	0	0	0	0	0	0	0	0

**Bits 0, 1, 2, 3, 4, 5, 6, 7, 8, 9, 10, 11, 12, 13, 14, 15, 16, 17, 18, 19, 20, 21, 22, 23, 24, 25, 26, 27, 28, 29, 30, 31 – CFx Cancellation Finished for Transmit Buffer x**

Each Transmit Buffer has its own Cancellation Finished bit. The bits are set when the corresponding MCAN\_TXBRP bit is cleared after a cancellation was requested via MCAN\_TXBCR. In case the corresponding MCAN\_TXBRP bit was not set at the point of cancellation, CF is set immediately. The bits are reset when a new transmission is requested by writing a '1' to the corresponding bit of register MCAN\_TXBAR.

Value	Description
0	No transmit buffer cancellation.
1	Transmit buffer cancellation finished.

## 38.6.42 MCAN Transmit Buffer Transmission Interrupt Enable

**Name:** MCAN\_TXBTIE  
**Offset:** 0xE0  
**Reset:** 0x00000000  
**Property:** Read/Write

Bit	31	30	29	28	27	26	25	24
	TIE31	TIE30	TIE29	TIE28	TIE27	TIE26	TIE25	TIE24
Access	R/W	R/W	R/W	R/W	R/W	R/W	R/W	R/W
Reset	0	0	0	0	0	0	0	0
Bit	23	22	21	20	19	18	17	16
	TIE23	TIE22	TIE21	TIE20	TIE19	TIE18	TIE17	TIE16
Access	R/W	R/W	R/W	R/W	R/W	R/W	R/W	R/W
Reset	0	0	0	0	0	0	0	0
Bit	15	14	13	12	11	10	9	8
	TIE15	TIE14	TIE13	TIE12	TIE11	TIE10	TIE9	TIE8
Access	R/W	R/W	R/W	R/W	R/W	R/W	R/W	R/W
Reset	0	0	0	0	0	0	0	0
Bit	7	6	5	4	3	2	1	0
	TIE7	TIE6	TIE5	TIE4	TIE3	TIE2	TIE1	TIE0
Access	R/W	R/W	R/W	R/W	R/W	R/W	R/W	R/W
Reset	0	0	0	0	0	0	0	0

**Bits 0, 1, 2, 3, 4, 5, 6, 7, 8, 9, 10, 11, 12, 13, 14, 15, 16, 17, 18, 19, 20, 21, 22, 23, 24, 25, 26, 27, 28, 29, 30, 31 - TIE<sub>x</sub>** Transmission Interrupt Enable for Buffer x

Each Transmit Buffer has its own Transmission Interrupt Enable bit.

Value	Description
0	Transmission interrupt disabled
1	Transmission interrupt enable

### 38.6.43 MCAN Transmit Buffer Cancellation Finished Interrupt Enable

**Name:** MCAN\_TXBCIE  
**Offset:** 0xE4  
**Reset:** 0x00000000  
**Property:** Read/Write

Bit	31	30	29	28	27	26	25	24
	CFIE31	CFIE30	CFIE29	CFIE28	CFIE27	CFIE26	CFIE25	CFIE24
Access	R/W	R/W	R/W	R/W	R/W	R/W	R/W	R/W
Reset	0	0	0	0	0	0	0	0
Bit	23	22	21	20	19	18	17	16
	CFIE23	CFIE22	CFIE21	CFIE20	CFIE19	CFIE18	CFIE17	CFIE16
Access	R/W	R/W	R/W	R/W	R/W	R/W	R/W	R/W
Reset	0	0	0	0	0	0	0	0
Bit	15	14	13	12	11	10	9	8
	CFIE15	CFIE14	CFIE13	CFIE12	CFIE11	CFIE10	CFIE9	CFIE8
Access	R/W	R/W	R/W	R/W	R/W	R/W	R/W	R/W
Reset	0	0	0	0	0	0	0	0
Bit	7	6	5	4	3	2	1	0
	CFIE7	CFIE6	CFIE5	CFIE4	CFIE3	CFIE2	CFIE1	CFIE0
Access	R/W	R/W	R/W	R/W	R/W	R/W	R/W	R/W
Reset	0	0	0	0	0	0	0	0

**Bits 0, 1, 2, 3, 4, 5, 6, 7, 8, 9, 10, 11, 12, 13, 14, 15, 16, 17, 18, 19, 20, 21, 22, 23, 24, 25, 26, 27, 28, 29, 30, 31 - CFIE<sub>x</sub>** Cancellation Finished Interrupt Enable for Transmit Buffer x

Each Transmit Buffer has its own Cancellation Finished Interrupt Enable bit.

Value	Description
0	Cancellation finished interrupt disabled.
1	Cancellation finished interrupt enabled.

### 38.6.44 MCAN Transmit Event FIFO Configuration

**Name:** MCAN\_TXEFC  
**Offset:** 0xF0  
**Reset:** 0x00000000  
**Property:** Read/Write

This register can only be written if the bits CCE and INIT are set in [MCAN CC Control Register](#).

Bit	31	30	29	28	27	26	25	24
			EFWM[5:0]					
Access			R/W	R/W	R/W	R/W	R/W	R/W
Reset			0	0	0	0	0	0
Bit	23	22	21	20	19	18	17	16
			EFS[5:0]					
Access			R/W	R/W	R/W	R/W	R/W	R/W
Reset			0	0	0	0	0	0
Bit	15	14	13	12	11	10	9	8
	EFSA[13:6]							
Access	R/W	R/W	R/W	R/W	R/W	R/W	R/W	R/W
Reset	0	0	0	0	0	0	0	0
Bit	7	6	5	4	3	2	1	0
	EFSA[5:0]							
Access	R/W	R/W	R/W	R/W	R/W	R/W		
Reset	0	0	0	0	0	0		

#### Bits 29:24 – EFWM[5:0] Event FIFO Watermark

Value	Description
0	Watermark interrupt disabled.
1–32	Level for Tx Event FIFO watermark interrupt (MCAN_IR.TEFW).
>32	Watermark interrupt disabled.

#### Bits 21:16 – EFS[5:0] Event FIFO Size

The Tx Event FIFO elements are indexed from 0 to EFS - 1.

Value	Description
0	Tx Event FIFO disabled.
1–32	Number of Tx Event FIFO elements.
>32	Values greater than 32 are interpreted as 32.

#### Bits 15:2 – EFSA[13:0] Event FIFO Start Address

Start address of Tx Event FIFO in Message RAM (32-bit word address, see [Message RAM Configuration](#)).

Write EFSA with the bits [15:2] of the 32-bit address.

### 38.6.45 MCAN Tx Event FIFO Status

**Name:** MCAN\_TXEFS  
**Offset:** 0xF4  
**Reset:** 0x00000000  
**Property:** Read-only

Bit	31	30	29	28	27	26	25	24	
							TEFL	EFF	
Access							R	R	
Reset							0	0	
Bit	23	22	21	20	19	18	17	16	
					EFPI[4:0]				
Access					R	R	R	R	R
Reset					0	0	0	0	0
Bit	15	14	13	12	11	10	9	8	
				EFGI[4:0]					
Access				R	R	R	R	R	
Reset				0	0	0	0	0	
Bit	7	6	5	4	3	2	1	0	
			EFFL[5:0]						
Access			R	R	R	R	R	R	
Reset			0	0	0	0	0	0	

#### Bit 25 – TEFL Tx Event FIFO Element Lost

This bit is a copy of interrupt flag MCAN\_IR.TEFL. When MCAN\_IR.TEFL is reset, this bit is also reset.

Value	Description
0	No Tx Event FIFO element lost.
1	Tx Event FIFO element lost, also set after write attempt to Tx Event FIFO of size zero.

#### Bit 24 – EFF Event FIFO Full

Value	Description
0	Tx Event FIFO not full.
1	Tx Event FIFO full.

#### Bits 20:16 – EFPI[4:0] Event FIFO Put Index

Tx Event FIFO write index pointer, range 0 to 31.

#### Bits 12:8 – EFGI[4:0] Event FIFO Get Index

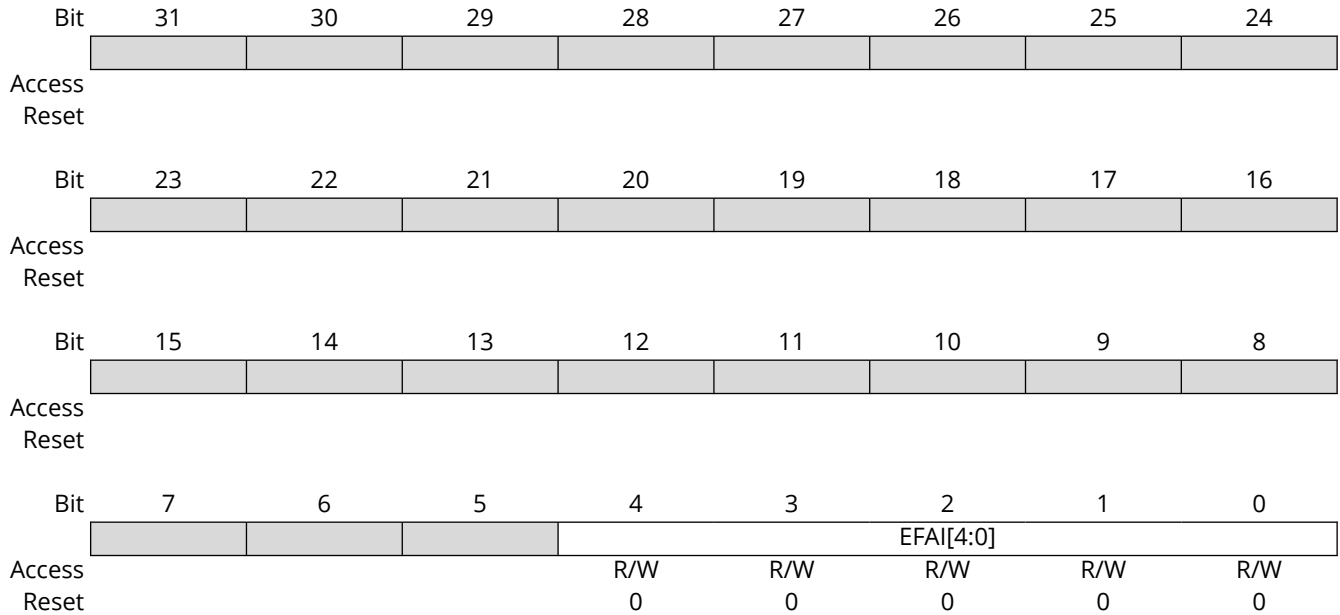
Tx Event FIFO read index pointer, range 0 to 31.

#### Bits 5:0 – EFFL[5:0] Event FIFO Fill Level

Number of elements stored in Tx Event FIFO, range 0 to 32.

### 38.6.46 MCAN Tx Event FIFO Acknowledge

**Name:** MCAN\_TXEFA  
**Offset:** 0xF8  
**Reset:** 0x00000000  
**Property:** Read/Write



#### Bits 4:0 – EFAI[4:0] Event FIFO Acknowledge Index

After the processor has read an element or a sequence of elements from the Tx Event FIFO, it has to write the index of the last element read from Tx Event FIFO to EFAI. This will set the Tx Event FIFO Get Index MCAN\_TXEFS.EFGI to EFAI + 1 and update the FIFO 0 Fill Level MCAN\_TXEFS.EFFL.

## 39. Timer Counter (TC)

### 39.1 Description

A Timer Counter (TC) module includes three identical TC channels. The number of implemented TC modules is device-specific.

Each TC channel can be independently programmed to perform a wide range of functions including frequency measurement, event counting, interval measurement, pulse generation, delay timing and pulse width modulation.

Each channel has three external clock inputs, five internal clock inputs and two multipurpose input/output signals which can be configured by the user. Each channel drives an internal interrupt signal which can be programmed to generate processor interrupts.

The TC embeds a quadrature decoder (QDEC) connected in front of the timers and driven by TIOA0, TIOB0 and TIOB1 inputs. When enabled, the QDEC performs the input lines filtering, decoding of quadrature signals and connects to the timers/counters in order to read the position and speed of the motor through the user interface.

The TC block has the following two global registers which act upon all TC channels:

- Block Control register (TC\_BCR) — Allows channels to be started simultaneously with the same instruction
- Block Mode register (TC\_BMR) — Defines the external clock inputs for each channel, allowing them to be chained

### 39.2 Embedded Characteristics

- Total of nine Channels
- 32-bit Channel Size
- Wide Range of Functions Including:
  - Frequency measurement
  - Event counting
  - Interval measurement
  - Pulse generation
  - Delay timing
  - Pulse Width Modulation
  - Up/down capabilities
  - Quadrature decoder
  - 2-bit Gray up/down count for stepper motor
- Each Channel is User-Configurable and Contains:
  - Three external clock inputs
  - Five Internal clock inputs
  - Two multipurpose input/output signals acting as trigger event
  - Trigger/capture events can be directly synchronized by PWM signals
- Internal Interrupt Signal
- Read of the Capture Registers by the DMAC
- Compare Event Fault Generation for PWM
- Register Write Protection



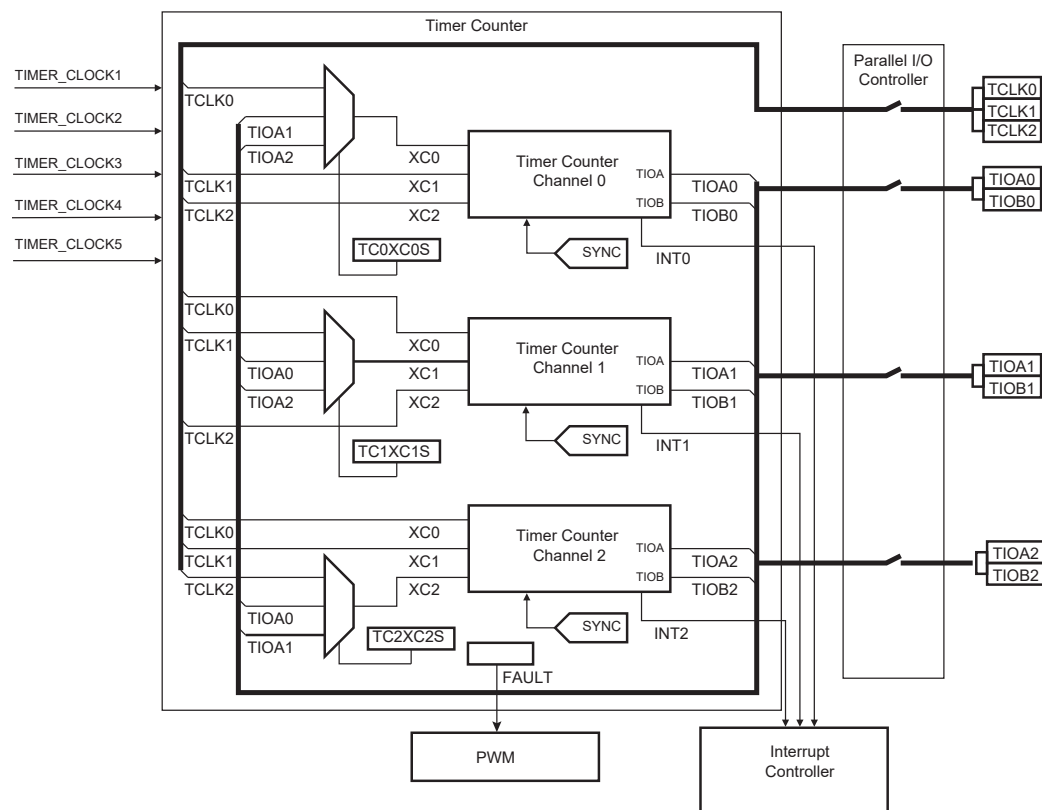
### 39.3 Block Diagram

**Table 39-1.** Timer Counter Clock Assignment

Name	Definition
TIMER_CLOCK1	GCLK
TIMER_CLOCK2	MCK/8
TIMER_CLOCK3	MCK/32
TIMER_CLOCK4	MCK/128
TIMER_CLOCK5 (1)	SLCK

1. When SLCK is selected for Peripheral Clock (CSS = 0 in PMC Master Clock register), SLCK input is equivalent to Peripheral Clock.
2. The GCLK frequency must be at least three times lower than peripheral clock frequency.

**Figure 39-1.** Timer Counter Block Diagram



**Note:**

The QDEC connections are detailed in [Predefined Connection of the Quadrature Decoder with Timer Counters](#).

**Table 39-2.** Channel Signal Description

Signal Name	Description
XC0, XC1, XC2	External Clock Inputs
TIOAx	Capture Mode: Timer Counter Input Waveform Mode: Timer Counter Output
TIOBx	Capture Mode: Timer Counter Input Waveform Mode: Timer Counter Input/Output

.....continued

Signal Name	Description
INT	Interrupt Signal Output (internal signal)
SYNC	Synchronization Input Signal (from configuration register)

## 39.4 Pin List

Table 39-3. Pin List

Pin Name	Description	Type
TCLK0-TCLK2	External Clock Input	Input
TIOA0-TIOA2	I/O Line A	I/O
TIOB0-TIOB2	I/O Line B	I/O

## 39.5 Product Dependencies

### 39.5.1 I/O Lines

The pins used for interfacing the compliant external devices may be multiplexed with PIO lines. The programmer must first program the PIO controllers to assign the TC pins to their peripheral functions.

### 39.5.2 Power Management

The TC is clocked through the Power Management Controller (PMC), thus the programmer must first configure the PMC to enable the Timer Counter clock of each channel.

### 39.5.3 Interrupt Sources

The TC has an interrupt line per channel connected to the interrupt controller. Handling the TC interrupt requires programming the interrupt controller before configuring the TC.

### 39.5.4 Synchronization Inputs from PWM

The TC has trigger/capture inputs internally connected to the PWM. Refer to [“Synchronization with PWM”](#) and to the implementation of the Pulse Width Modulation (PWM) in this product.

### 39.5.5 Fault Output

The TC has the FAULT output internally connected to the fault input of PWM. Refer to [“Fault Mode”](#) and to the implementation of the Pulse Width Modulation (PWM) in this product.

## 39.6 Functional Description

### 39.6.1 Description

All channels of the Timer Counter are independent and identical in operation except when the QDEC is enabled. The registers for channel programming are listed in [39.7. Register Summary](#).

### 39.6.2 32-bit Counter

Each 32-bit channel is organized around a 32-bit counter. The value of the counter is incremented at each positive edge of the selected clock. When the counter has reached the value  $2^{32}-1$  and passes to zero, an overflow occurs and the COVFS bit in the Interrupt Status register (TC\_SR) is set.

The current value of the counter is accessible in real time by reading the Counter Value register (TC\_CV). The counter can be reset by a trigger. In this case, the counter value passes to zero on the next valid edge of the selected clock.

### 39.6.3 Clock Selection

At block level, input clock signals of each channel can be connected either to the external inputs TCLKx, or to the internal I/O signals TIOAx for chaining<sup>(1)</sup> by programming the Block Mode register (TC\_BMR). See [Clock Chaining Selection](#).

Each channel can independently select an internal or external clock source for its counter<sup>(2)</sup>:

- External clock signals: XC0, XC1 or XC2
- Internal clock signals: GCLK, MCK/8, MCK/32, MCK/128, SLCK

This selection is made by the TCCLKS bits in the Channel Mode register (TC\_CMRx).

The selected clock can be inverted with TC\_CMRx.CLKI. This allows counting on the opposite edges of the clock.

The burst function allows the clock to be validated when an external signal is high. The BURST parameter in the TC\_CMRx defines this signal (none, XC0, XC1, XC2). See [Clock Selection](#).

#### Notes:

1. In Waveform mode, to chain two timers, it is mandatory to initialize some parameters:
  - Configure TIOx outputs to 1 or 0 by writing the required value to TC\_CMRx.ASWTRG.
  - Bit TC\_BCR.SYNC must be written to 1 to start the channels at the same time.
2. In all cases, if an external clock or asynchronous internal clock GCLK is used, the duration of each of its levels must be longer than the peripheral clock period, so the clock frequency will be at least 2.5 times lower than the peripheral clock.

**Figure 39-2.** Clock Chaining Selection

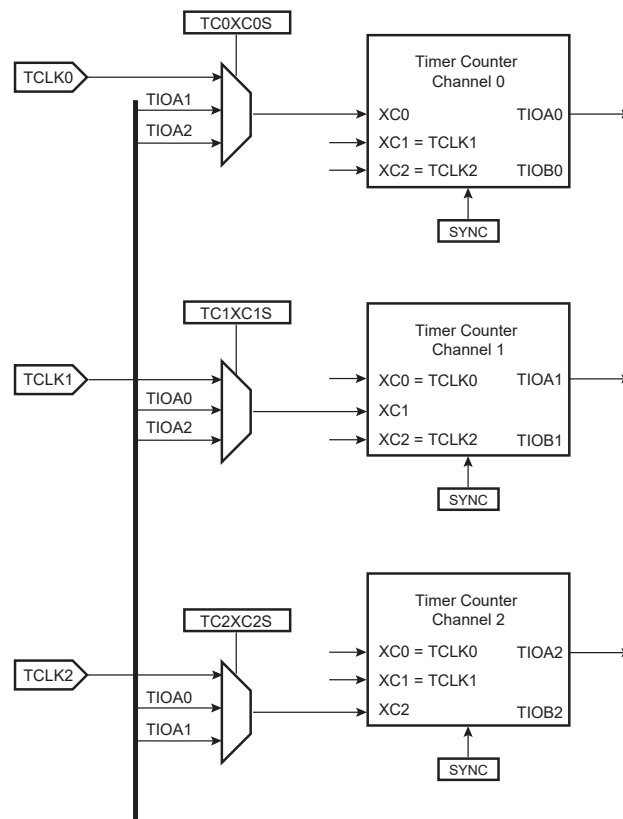
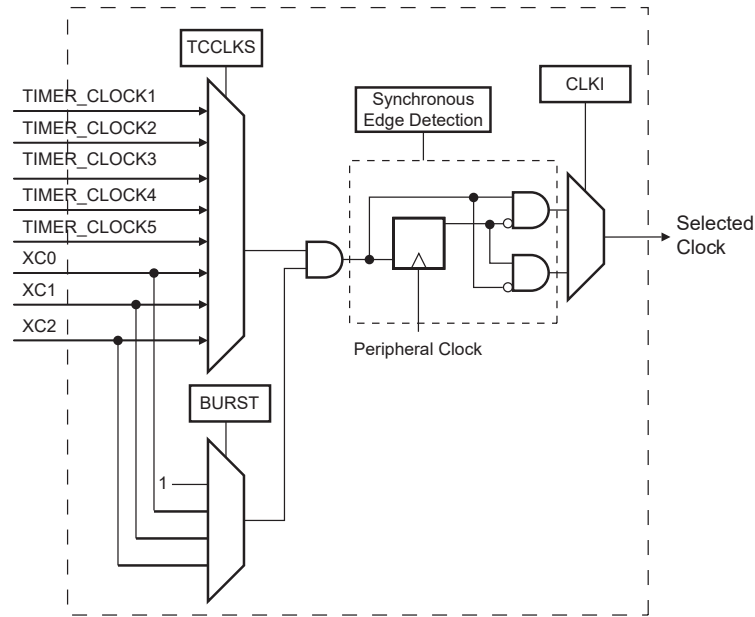


Figure 39-3. Clock Selection

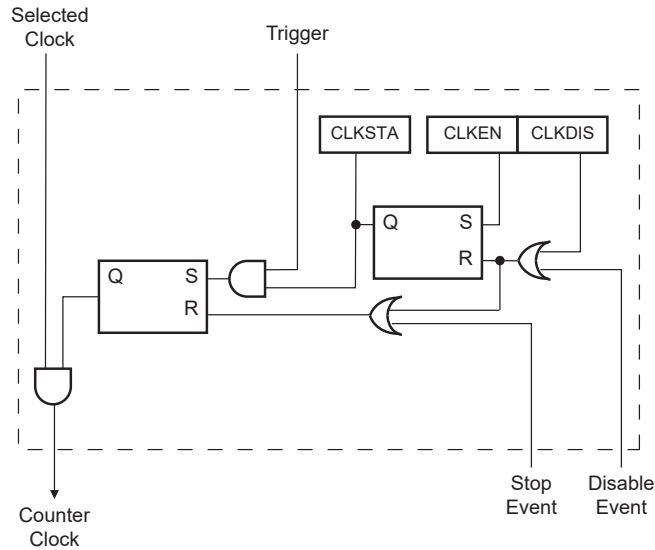


#### 39.6.4 Clock Control

The clock of each counter can be controlled in two different ways: it can be enabled/disabled and started/stopped, as shown in the following figure.

- The clock can be enabled or disabled by the user with the CLKEN and the CLKDIS commands in the Channel Control register (TC\_CCR). In Capture mode it can be disabled by an RB load event if TC\_CMRx.LDBDIS is set to '1'. In Waveform mode, it can be disabled by an RC Compare event if TC\_CMRx.CPCDIS is set to '1'. When disabled, the start or the stop actions have no effect: only a CLKEN command in the TC\_CCR can reenale the clock. When the clock is enabled, TC\_SR.CLKSTA is set.
- The clock can also be started or stopped: a trigger (software, synchro, external or compare) always starts the clock. The clock can be stopped by an RB load event in Capture mode (TC\_CMRx.LDBSTOP = 1) or an RC compare event in Waveform mode (TC\_CMRx.CPCSTOP = 1). The start and the stop commands are effective only if the clock is enabled.

**Figure 39-4.** Clock Control



### 39.6.5 Operating Modes

Each channel can operate independently in two different modes:

- Capture mode provides measurement on signals.
- Waveform mode provides wave generation.

The TC operating mode is programmed with `TC_CMRx.WAVE`.

In Capture mode, `TIOAx` and `TIOBx` are configured as inputs.

In Waveform mode, `TIOAx` is always configured to be an output and `TIOBx` is an output if it is not selected to be the external trigger.

### 39.6.6 Trigger

A trigger resets the counter and starts the counter clock. Three types of triggers are common to both modes, and a fourth external trigger is available to each mode.

Regardless of the trigger used, it will be taken into account at the following active edge of the selected clock. This means that the counter value can be read differently from zero just after a trigger, especially when a low frequency signal is selected as the clock.

The following triggers are common to both modes:

- Software Trigger: Each channel has a software trigger, available by setting `TC_CCR.SWTRG`.
- SYNC: Each channel has a synchronization signal `SYNC`. When asserted, this signal has the same effect as a software trigger. The `SYNC` signals of all channels are asserted simultaneously by writing `TC_BCR` with `SYNC` set.
- Compare RC Trigger: RC is implemented in each channel and can provide a trigger when the counter value matches the RC value if `TC_CMRx.CPCTRG` is set.

The channel can also be configured to have an external trigger. In Capture mode, the external trigger signal can be selected between `TIOAx` and `TIOBx`. In Waveform mode, an external event can be programmed on one of the following signals: `TIOBx`, `XC0`, `XC1` or `XC2`. This external event can then be programmed to perform a trigger by setting `TC_CMRx.ENETRIG`.

If an external trigger is used, the duration of the pulses must be longer than the peripheral clock period in order to be detected.

### 39.6.7 Capture Mode

Capture mode is entered by clearing TC\_CMRx.WAVE.

Capture mode allows the TC channel to perform measurements such as pulse timing, frequency, period, duty cycle and phase on TIOAx and TIOBx signals which are considered as inputs.

Figure 39-6 shows the configuration of the TC channel when programmed in Capture mode.

### 39.6.8 Capture Registers A and B

Registers A and B (TC\_RA and TC\_RB) are used as capture registers. They can be loaded with the counter value when a programmable event occurs on the signal TIOAx.

TC\_CMRx.LDRA defines the TIOAx selected edge for the loading of TC\_RA, and TC\_CMRx.LDRB defines the TIOAx selected edge for the loading of TC\_RB.

The subsampling ratio defined by TC\_CMRx.SBSMPLR is applied to these selected edges, so that the loading of Register A and Register B occurs once every 1, 2, 4, 8 or 16 selected edges.

TC\_RA is loaded only if it has not been loaded since the last trigger or if TC\_RB has been loaded since the last loading of TC\_RA.

TC\_RB is loaded only if TC\_RA has been loaded since the last trigger or the last loading of TC\_RB.

Loading TC\_RA or TC\_RB before the read of the last value loaded sets TC\_SR.LOVRS. In this case, the old value is overwritten.

When DMA is used (on channel 0), the Register AB (TC\_RAB) address must be configured as source address of the transfer. TC\_RAB provides the next unread value from TC\_RA and TC\_RB. It may be read by the DMA after a request has been triggered upon loading TC\_RA or TC\_RB.

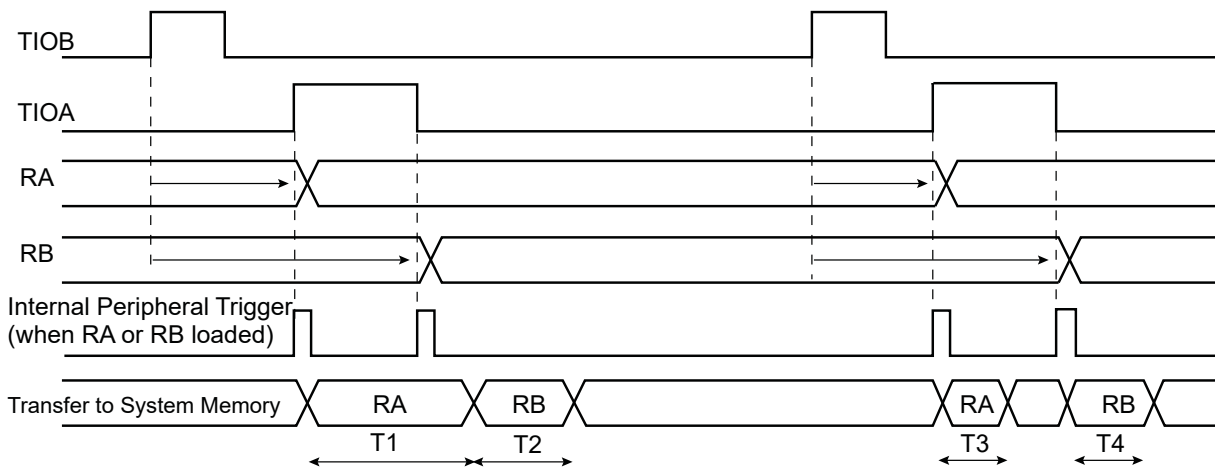
### 39.6.9 Transfer with DMAC in Capture Mode

The DMAC can perform access from the TC to system memory in Capture mode only.

The following figure illustrates how TC\_RA and TC\_RB can be loaded in the system memory without processor intervention.

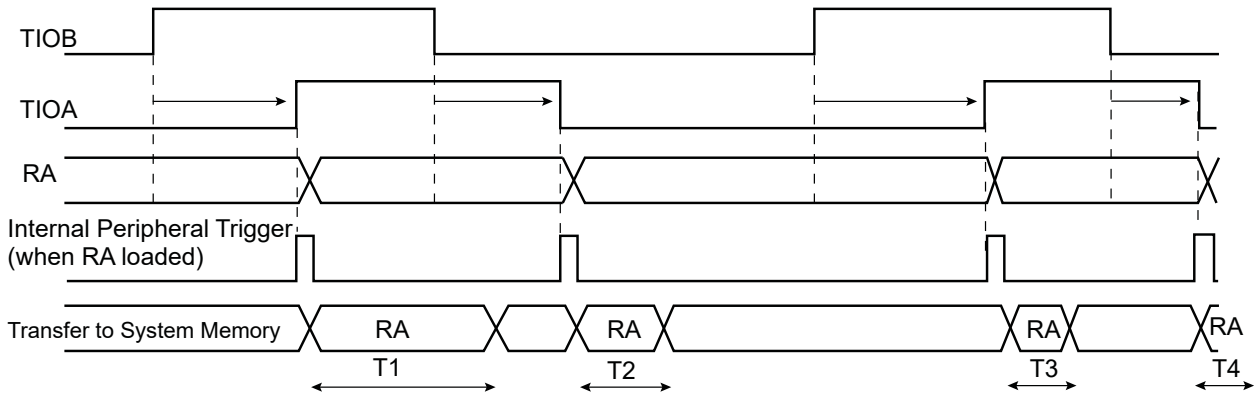
**Figure 39-5.** Example of Transfer with DMAC in Capture Mode

ETRGEDG = 1, LDRA = 1, LDRB = 2, ABETRG = 0



T1, T2, T3, T4 = System Bus load dependent ( $t_{\min} = 8$  Peripheral Clocks)

ETRGEDG = 3, LDRA = 3, LDRB = 0, ABETRG = 0



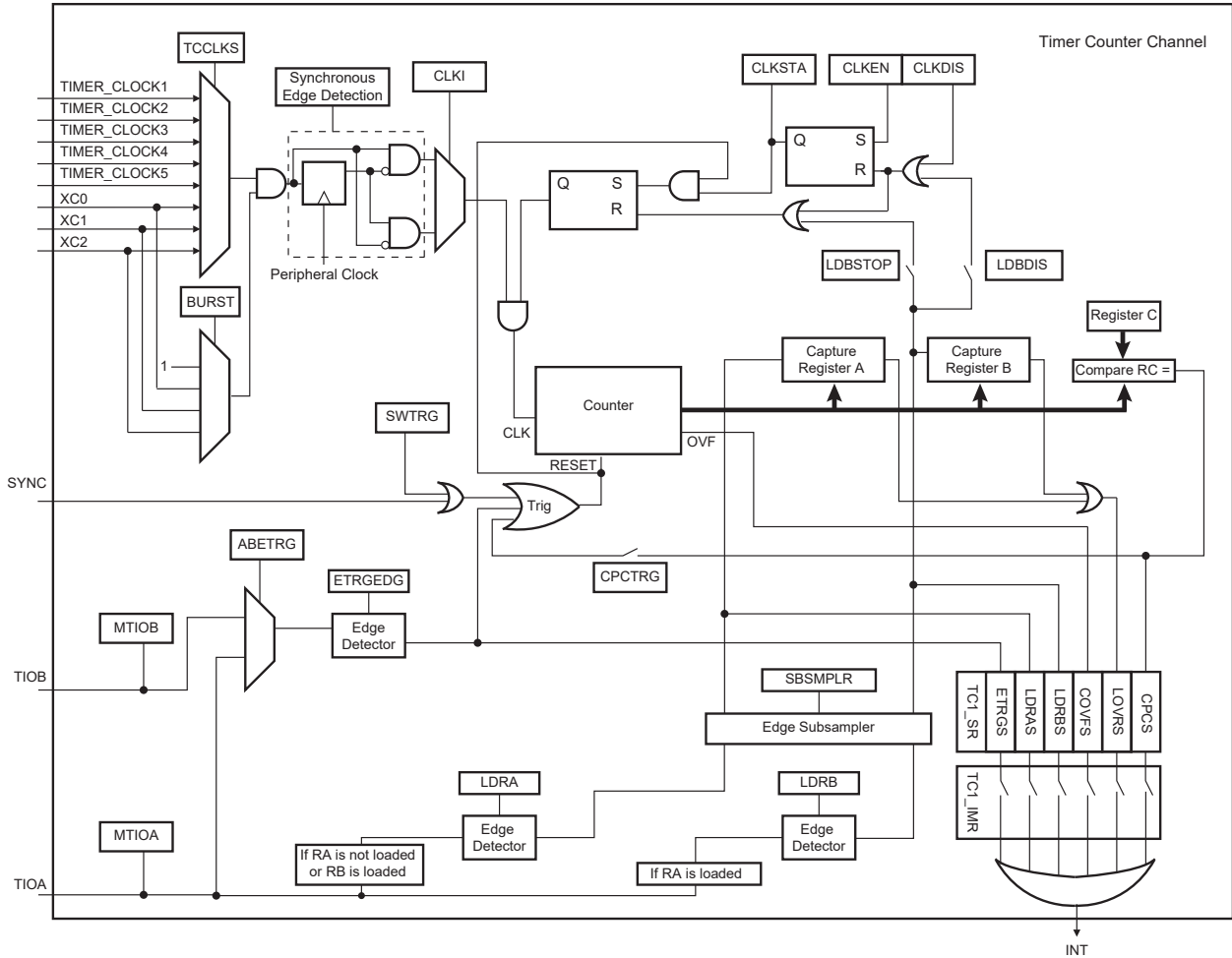
T1, T2, T3, T4 = System Bus load dependent ( $t_{\min} = 8$  Peripheral Clocks)

### 39.6.10 Trigger Conditions

In addition to the SYNC signal, the software trigger and the RC compare trigger, an external trigger can be defined.

The ABETRG bit in the TC\_CMCR selects TIOAx or TIOBx input signal as an external trigger or the trigger signal from the output comparator of the PWM module. The External Trigger Edge Selection parameter (ETRGEDG field in TC\_CMCR) defines the edge (rising, falling, or both) detected to generate an external trigger. If ETRGEDG = 0 (none), the external trigger is disabled.

Figure 39-6. Capture Mode



### 39.6.11 Waveform Mode

Waveform mode is entered by setting the TC\_CMRx.WAVE bit.

In Waveform mode, the TC channel generates one or two PWM signals with the same frequency and independently programmable duty cycles, or generates different types of one-shot or repetitive pulses.

In this mode, TIOAx is configured as an output and TIOBx is defined as an output if it is not used as an external event (EEVT parameter in TC\_CMR).

[Waveform Mode](#) shows the configuration of the TC channel when programmed in Waveform operating mode.

### 39.6.12 Waveform Selection

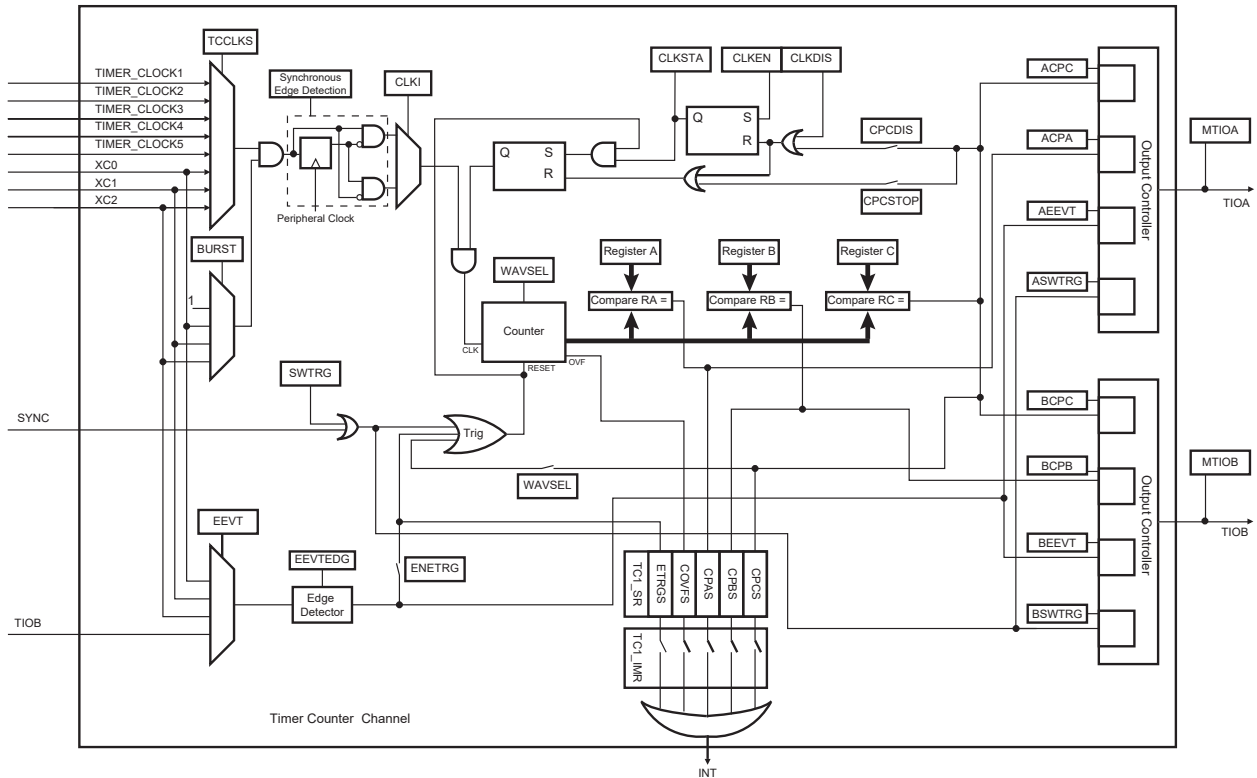
Depending on the WAVSEL parameter in TC\_CMR, the behavior of TC\_CV varies.

With any selection, TC\_RA, TC\_RB and TC\_RC can all be used as compare registers.

RA Compare is used to control the TIOAx output, RB Compare is used to control the TIOBx output (if correctly configured) and RC Compare is used to control TIOAx and/or TIOBx outputs.



Figure 39-7. Waveform Mode



### 39.6.12.1 WAVSEL = 00

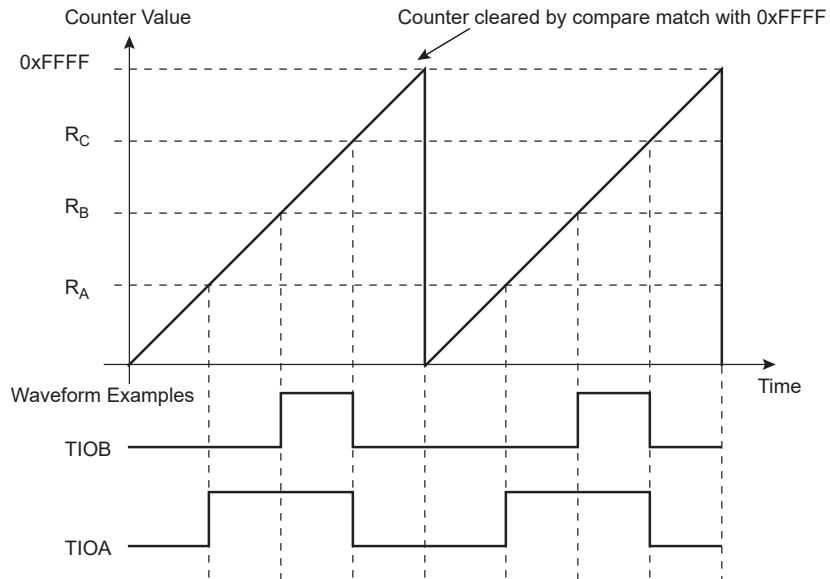
When WAVSEL = 00, the value of TC\_CV is incremented from 0 to  $2^{32}-1$ . Once  $2^{32}-1$  has been reached, the value of TC\_CV is reset. Incrementation of TC\_CV starts again and the cycle continues.

An external event trigger or a software trigger can reset the value of TC\_CV. It is important to note that the trigger may occur at any time.

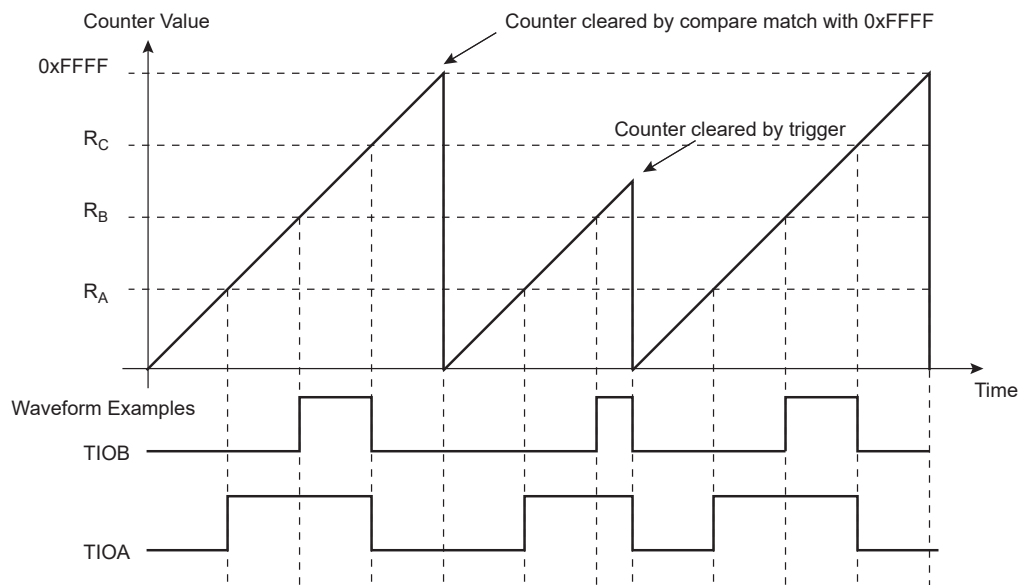
Refer to the figures below.

RC Compare cannot be programmed to generate a trigger in this configuration. At the same time, RC Compare can stop the counter clock (CPCSTOP = 1 in TC\_CMR) and/or disable the counter clock (CPCDIS = 1 in TC\_CMR).

**Figure 39-8.** WAVSEL = 00 without Trigger



**Figure 39-9.** WAVSEL = 00 with Trigger



### 39.6.12.2 WAVSEL = 10

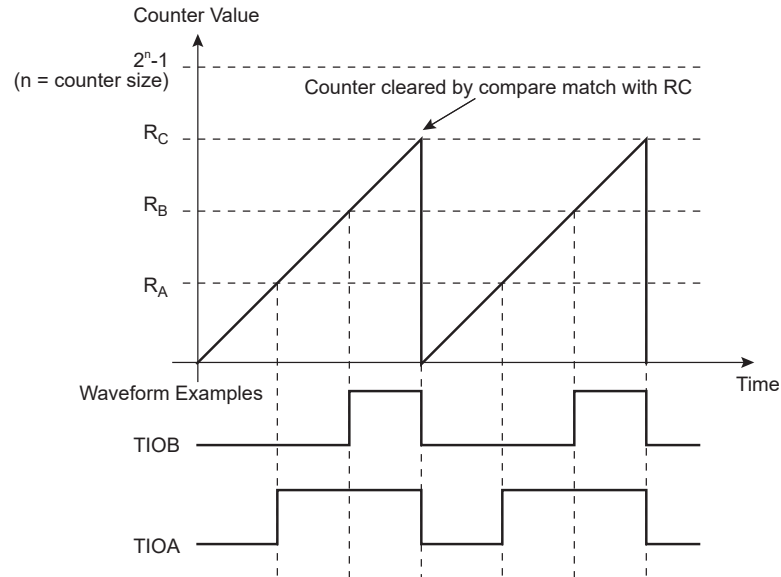
When WAVSEL = 10, the value of TC\_CV is incremented from 0 to the value of RC, then automatically reset on a RC Compare. Once the value of TC\_CV has been reset, it is then incremented and so on.

It is important to note that TC\_CV can be reset at any time by an external event or a software trigger if both are programmed correctly.

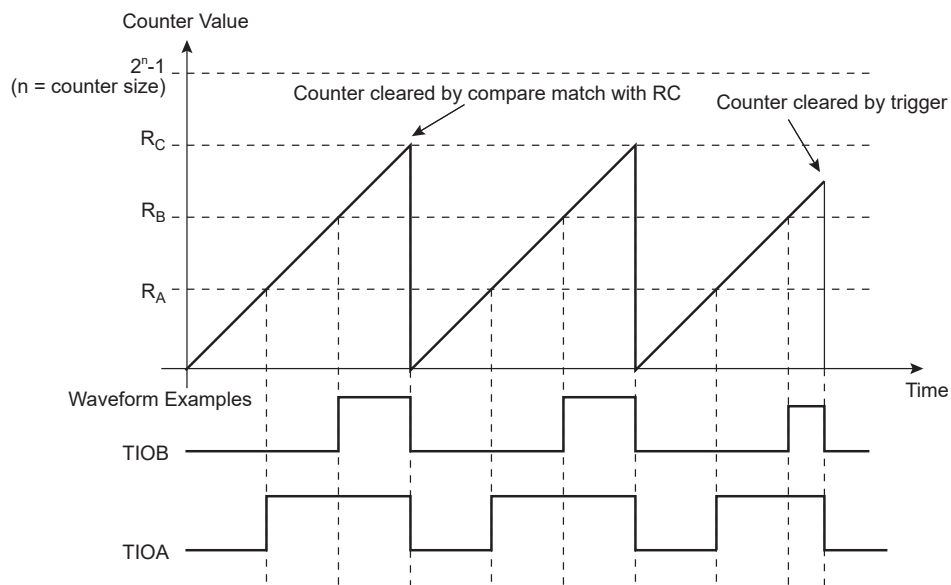
Refer to the figures below.

In addition, RC Compare can stop the counter clock (CPCSTOP = 1 in TC\_CMR) and/or disable the counter clock (CPCDIS = 1 in TC\_CMR).

**Figure 39-10.** WAVSEL = 10 without Trigger



**Figure 39-11.** WAVSEL = 10 with Trigger



### 39.6.12.3 WAVSEL = 01

When WAVSEL = 01, the value of TC\_CV is incremented from 0 to  $2^{32}-1$ . Once  $2^{32}-1$  is reached, the value of TC\_CV is decremented to 0, then reincremented to  $2^{32}-1$  and so on.

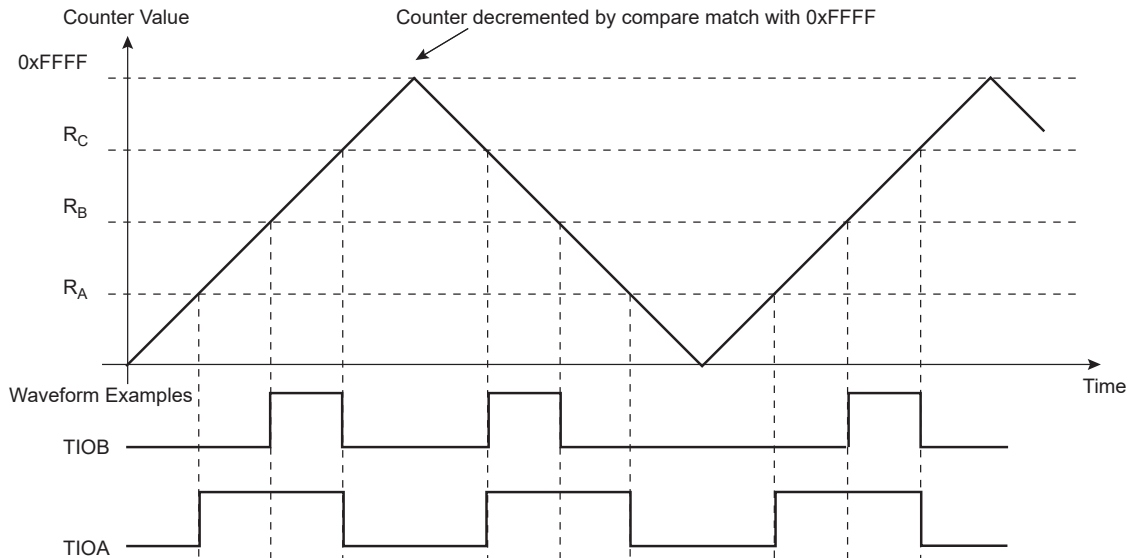
A trigger such as an external event or a software trigger can modify TC\_CV at any time. If a trigger occurs while TC\_CV is incrementing, TC\_CV then decrements. If a trigger is received while TC\_CV is decrementing, TC\_CV then increments.

Refer to the figures below.

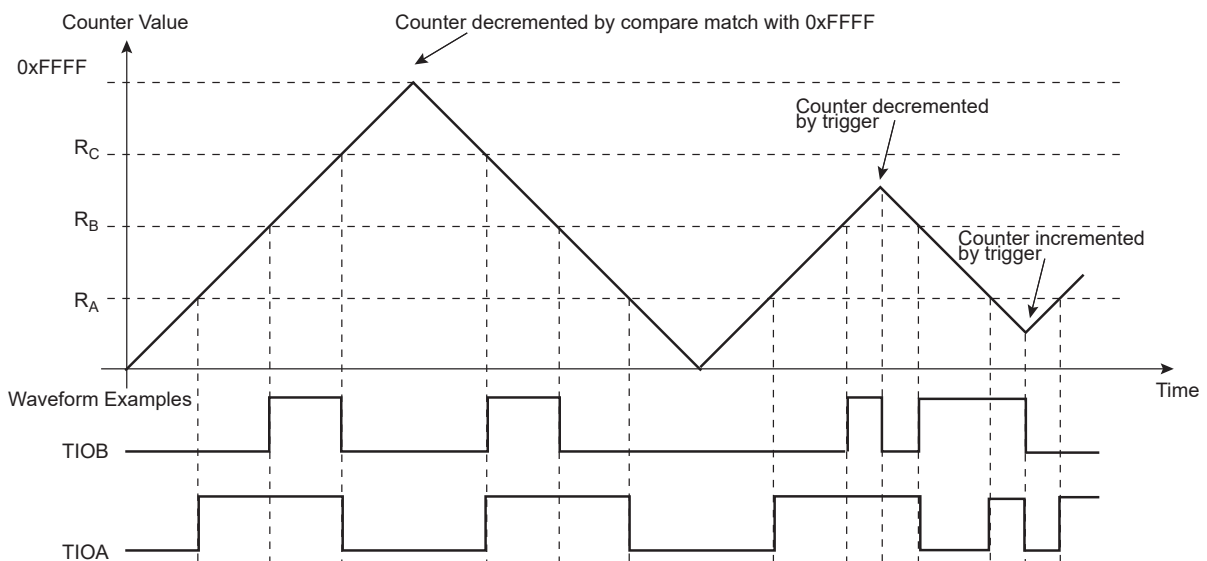
RC Compare cannot be programmed to generate a trigger in this configuration.

At the same time, RC Compare can stop the counter clock (CPCSTOP = 1) and/or disable the counter clock (CPCDIS = 1).

**Figure 39-12.** WAVSEL = 01 without Trigger



**Figure 39-13.** WAVSEL = 01 with Trigger



#### 39.6.12.4 WAVSEL = 11

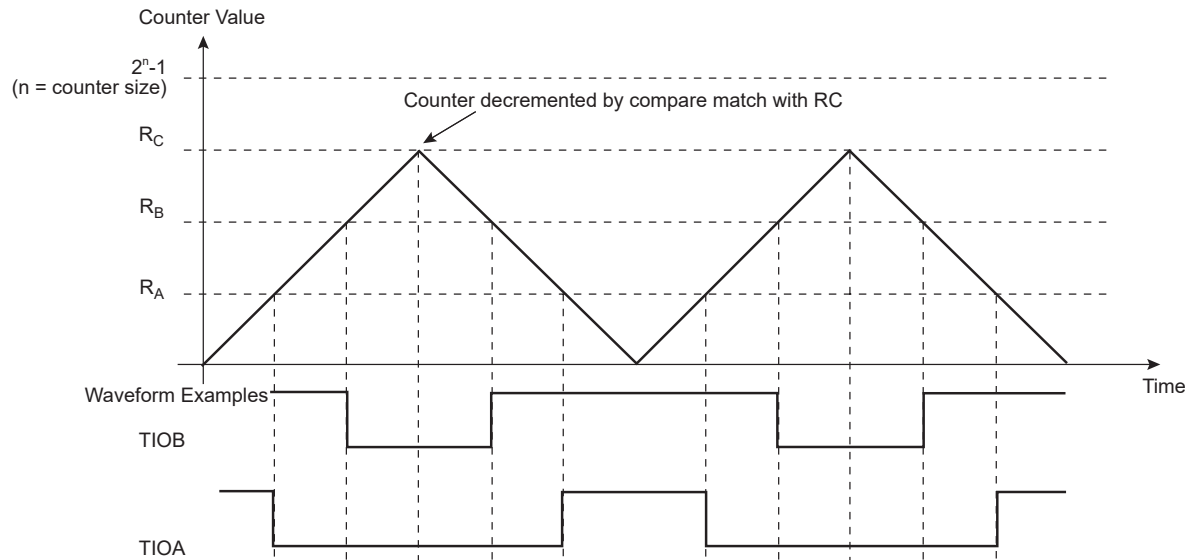
When WAVSEL = 11, the value of TC\_CV is incremented from 0 to RC. Once RC is reached, the value of TC\_CV is decremented to 0, then reincremented to RC and so on.

A trigger such as an external event or a software trigger can modify TC\_CV at any time. If a trigger occurs while TC\_CV is incrementing, TC\_CV then decrements. If a trigger is received while TC\_CV is decrementing, TC\_CV then increments.

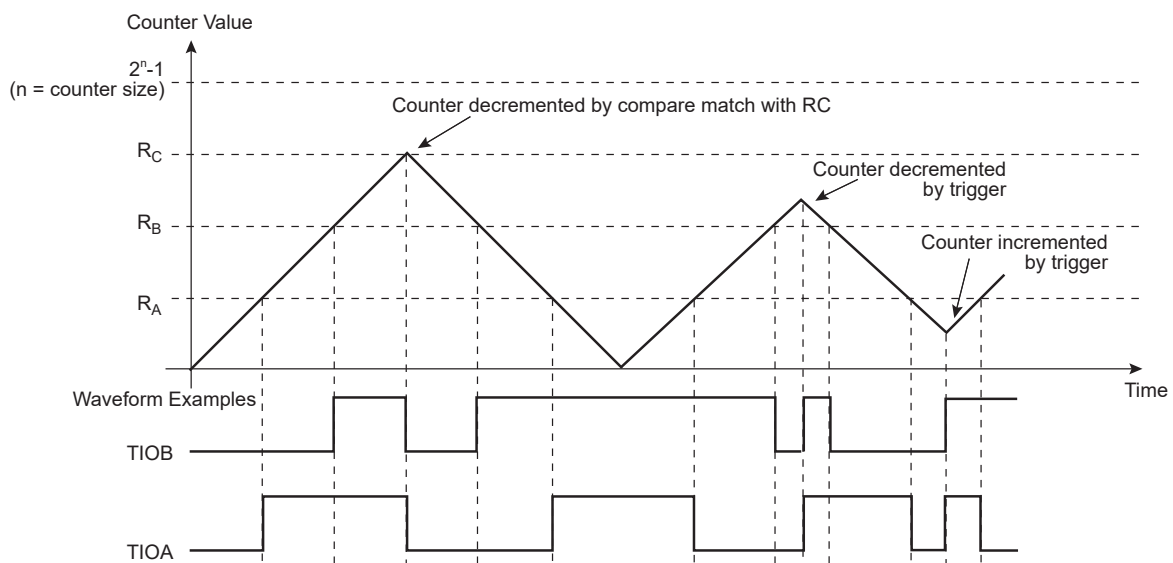
Refer to the figures below.

RC Compare can stop the counter clock (CPCSTOP = 1) and/or disable the counter clock (CPCDIS = 1).

**Figure 39-14.** WAVSEL = 11 without Trigger



**Figure 39-15.** WAVSEL = 11 with Trigger



### 39.6.13 External Event/Trigger Conditions

An external event can be programmed to be detected on one of the clock sources (XC0, XC1, XC2) or TIOBx. The external event selected can then be used as a trigger.

The event trigger is selected using TC\_CMR.EEVT. The trigger edge (rising, falling or both) for each of the possible external triggers is defined in TC\_CMR.EEVTEDG. If EEVTEDG is cleared (none), no external event is defined.

If TIOBx is defined as an external event signal (EEVT = 0), TIOBx is no longer used as an output and the compare register B is not used to generate waveforms and subsequently no IRQs. In this case, the TC channel can only generate a waveform on TIOAx.

When an external event is defined, it can be used as a trigger by setting TC\_CMR.ENETRIG.

As in Capture mode, the SYNC signal and the software trigger are also available as triggers. RC Compare can also be used as a trigger depending on the parameter WAVSEL.

### 39.6.14 Synchronization with PWM

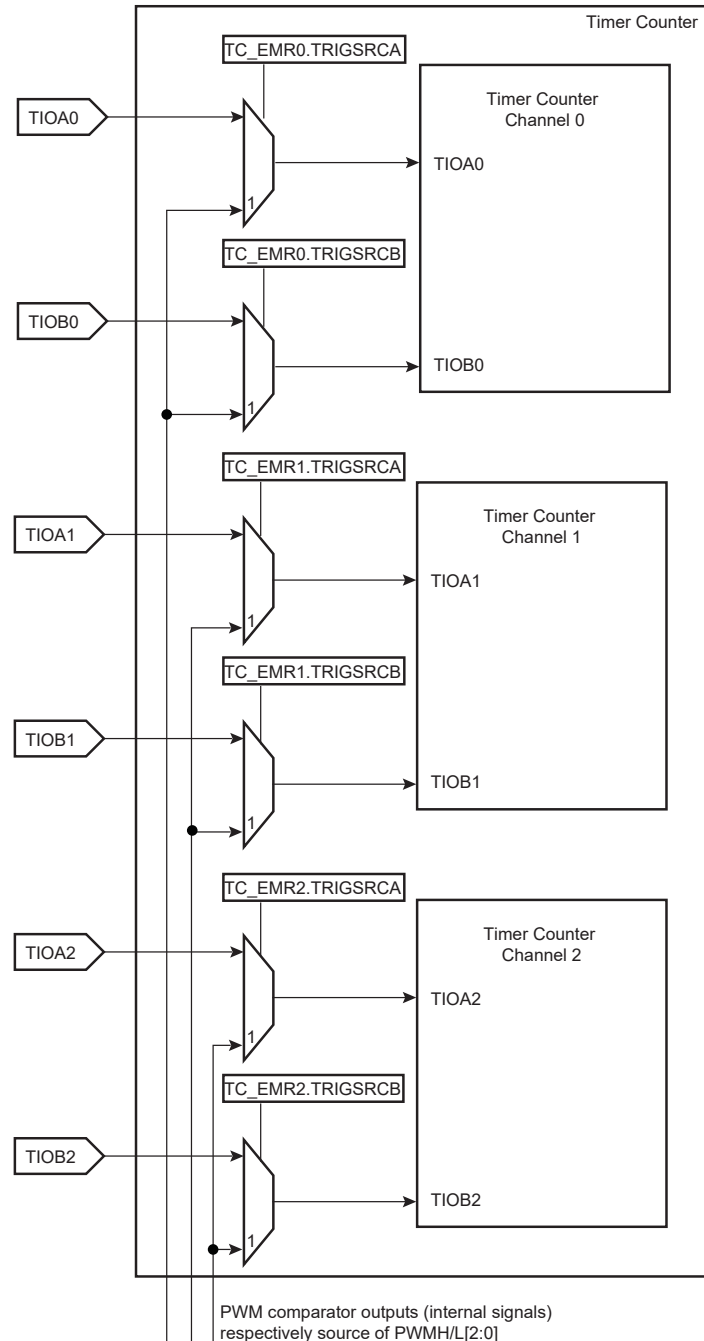
The inputs TIOAx/TIOBx can be bypassed, and thus channel trigger/capture events can be directly driven by the independent PWM module.

PWM comparator outputs (internal signals without dead-time insertion - OCx), respectively source of the PWMH/L[2:0] outputs, are routed to the internal TC inputs. These specific TC inputs are multiplexed with TIOA/B input signal to drive the internal trigger/capture events.

The selection is made in the Extended Mode register (TC\_EMR) fields TRIGSRCA and TRIGSRCB (see [“TC Extended Mode Register”](#)).

Each channel of the TC module can be synchronized by a different PWM channel as described in the following figure.

Figure 39-16. Synchronization with PWM



### 39.6.15 Output Controller

The output controller defines the output level changes on TIOAx and TIOBx following an event. TIOBx control is used only if TIOBx is defined as output (not as an external event).

The following events control TIOAx and TIOBx:

- Software trigger
- External event
- RC compare

RA Compare controls TIOAx, and RB Compare controls TIOBx. Each of these events can be programmed to set, clear or toggle the output as defined in the corresponding parameter in TC\_CMx.

## 39.6.16 Quadrature Decoder

### 39.6.16.1 Description

The quadrature decoder (QDEC) is driven by TIOA0, TIOB0 and TIOB1 input pins and drives the timer counter of channel 0 and 1. Channel 2 can be used as a time base in case of speed measurement requirements (refer to [Predefined Connection of the Quadrature Decoder with Timer Counters](#)).

When writing a '0' to TC\_BMR.QDEN, the QDEC is bypassed and the I/O pins are directly routed to the timer counter function.

TIOA0 and TIOB0 are to be driven by the two dedicated quadrature signals from a rotary sensor mounted on the shaft of the off-chip motor.

A third signal from the rotary sensor can be processed through pin TIOB1 and is typically dedicated to be driven by an index signal if it is provided by the sensor. This signal is not required to decode the quadrature signals PHA, PHB.

TC\_CMx.TCCLKS must be configured to select XC0 input (i.e., 0x101). Field TC0XC0S has no effect as soon as the QDEC is enabled.

Either speed or position/revolution can be measured. Position channel 0 accumulates the edges of PHA, PHB input signals giving a high accuracy on motor position whereas channel 1 accumulates the index pulses of the sensor, therefore the number of rotations. Concatenation of both values provides a high level of precision on motion system position.

In Speed mode, position cannot be measured but revolution can be measured.

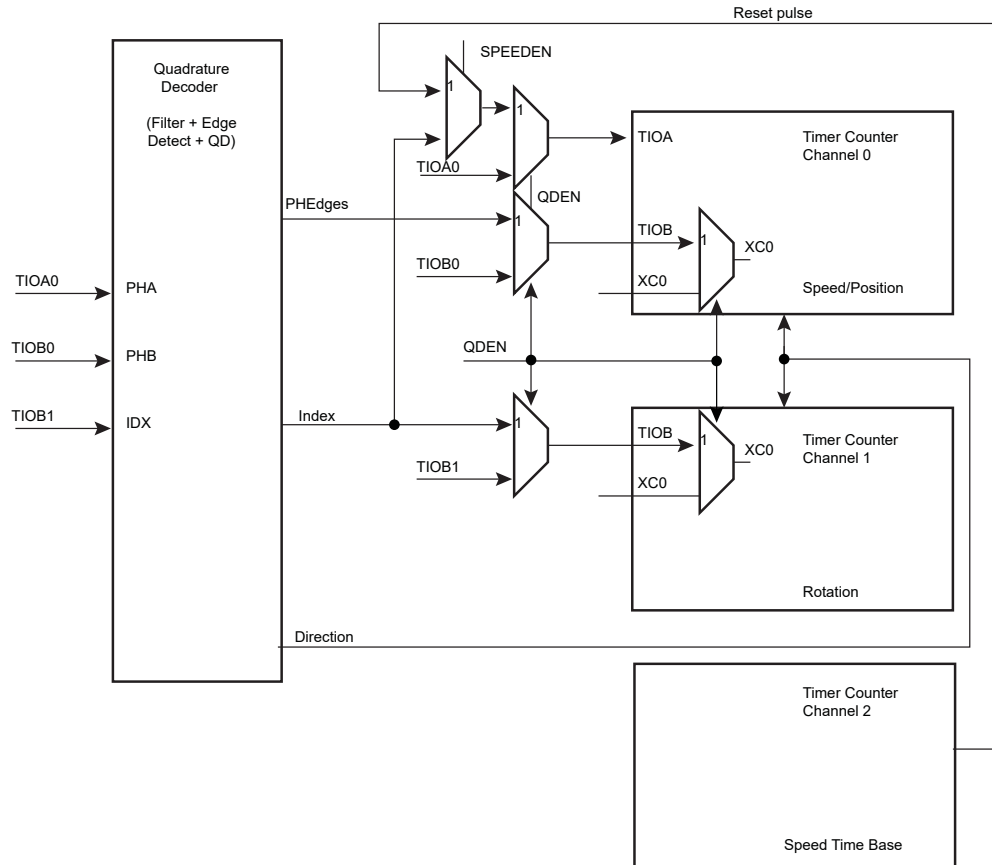
Inputs from the rotary sensor can be filtered prior to downstream processing. Accommodation of input polarity, phase definition and other factors are configurable.

Interruptions can be generated on different events.

A compare function (using TC\_RC) is available on channel 0 (speed/position) or channel 1 (rotation) and can generate an interrupt by means of TC\_SRx.CPCS.



Figure 39-17. Predefined Connection of the Quadrature Decoder with Timer Counters



### 39.6.16.2 Input Preprocessing

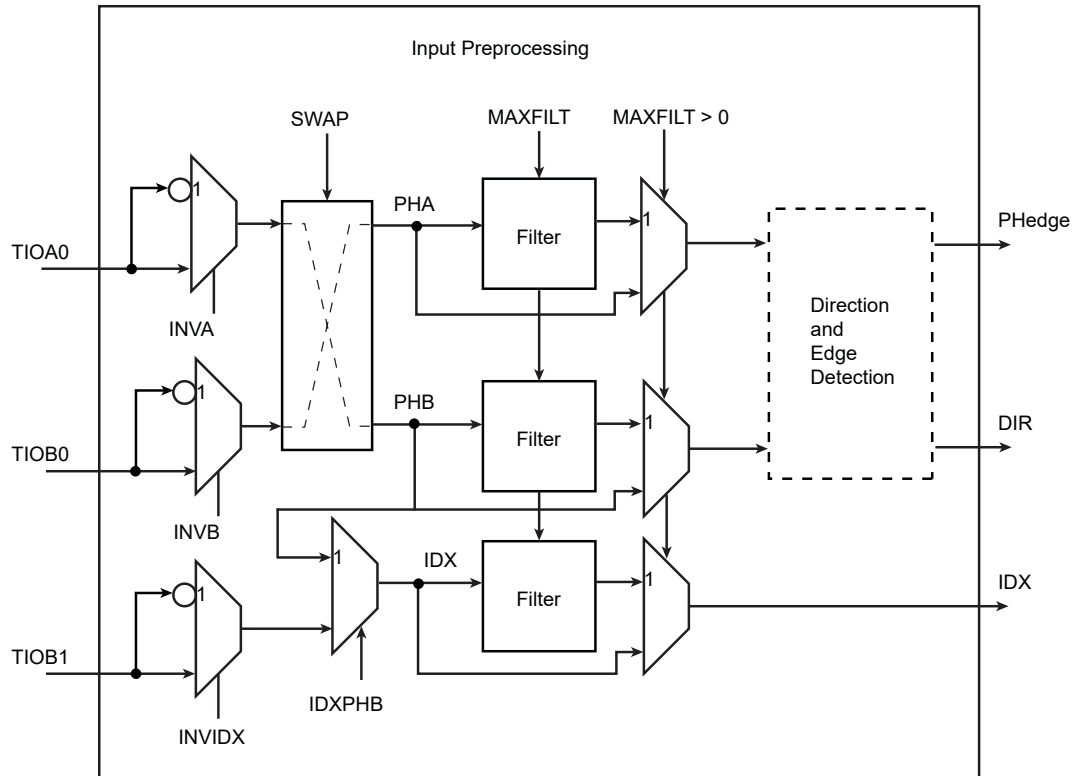
Input preprocessing consists of capabilities to take into account rotary sensor factors such as polarities and phase definition followed by configurable digital filtering.

Each input can be negated and swapping PHA, PHB is also configurable.

TC\_BMR. MAXFILT is used to configure a minimum duration for which the pulse is stated as valid. When the filter is active, pulses with a duration lower than  $(MAXFILT + 1) \times t_{\text{peripheral clock}}$  are not passed to downstream logic.

The value of  $(MAXFILT + 1) \times t_{\text{peripheral clock}}$  must not be greater than 10% of the minimum pulse on PHA, PHB or index when the rotary encoder speed is at its maximum. This speed depends on the application.

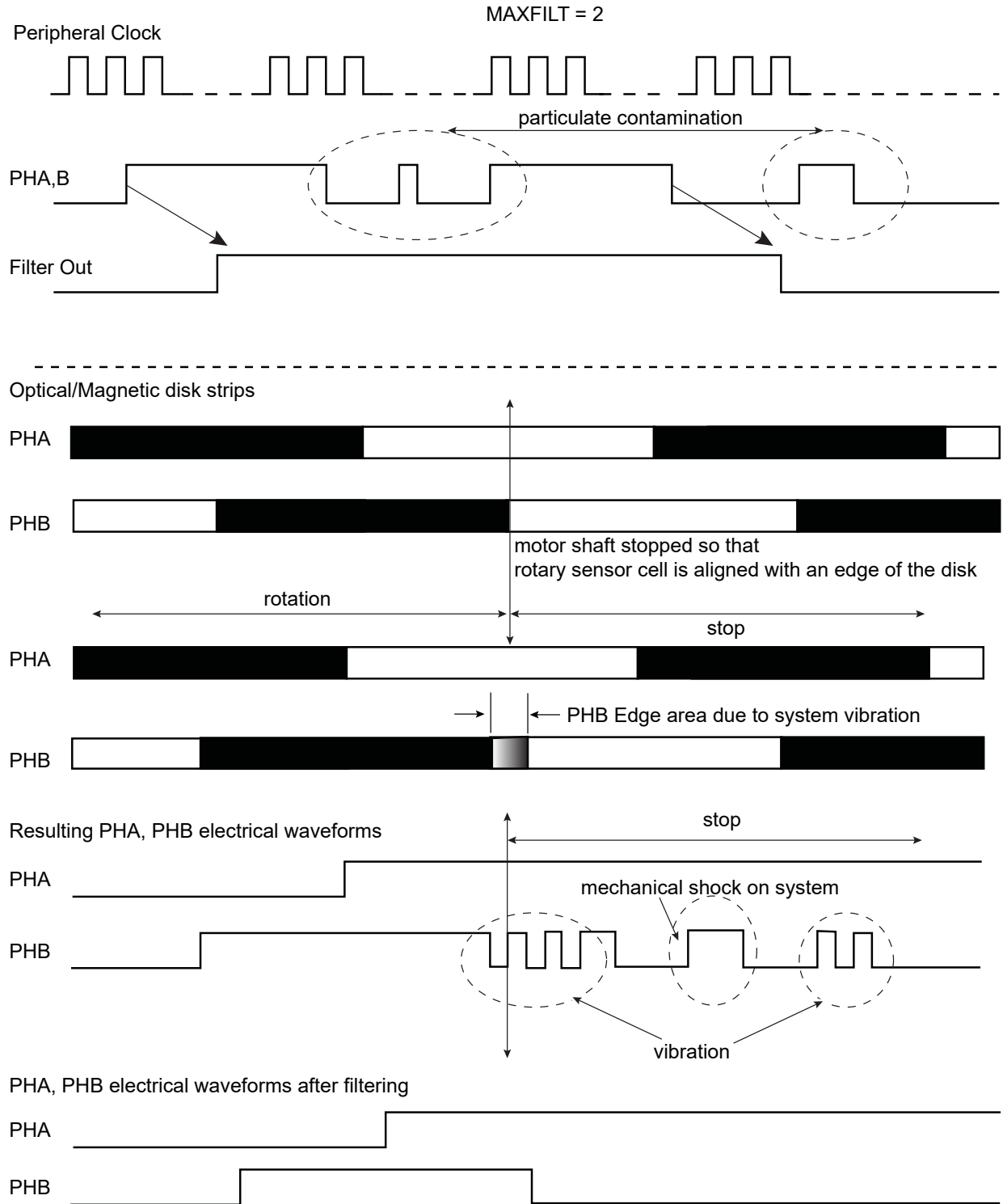
Figure 39-18. Input Stage



Input filtering can efficiently remove spurious pulses that might be generated by the presence of particulate contamination on the optical or magnetic disk of the rotary sensor.

Spurious pulses can also occur in environments with high levels of electromagnetic interference. Or, simply if vibration occurs even when rotation is fully stopped and the shaft of the motor is in such a position that the beginning of one of the reflective or magnetic bars on the rotary sensor disk is aligned with the light or magnetic (Hall) receiver cell of the rotary sensor. Any vibration can make the PHA, PHB signals toggle for a short duration.

Figure 39-19. Filtering Examples



### 39.6.16.3 Direction Status and Change Detection

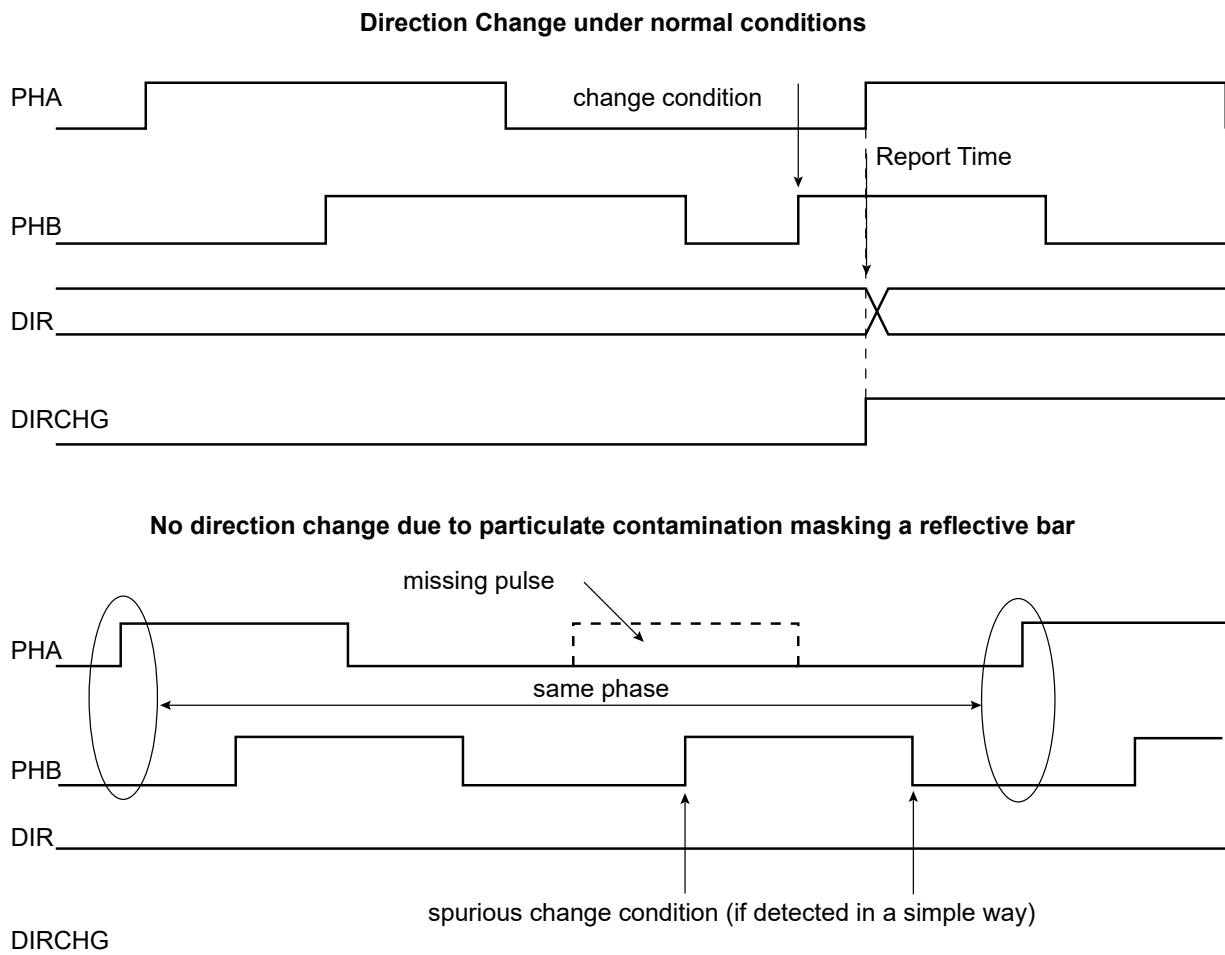
After filtering, the quadrature signals are analyzed to extract the rotation direction and edges of the two quadrature signals detected in order to be counted by TC logic downstream.

The direction status can be directly read at anytime in the TC\_QISR. The polarity of the direction flag status depends on the configuration written in TC\_BMR. INVA, INVB, INVIDX, SWAP modify the polarity of DIR flag.

Any change in rotation direction is reported in the TC\_QISR and can generate an interrupt.

The direction change condition is reported as soon as two consecutive edges on a phase signal have sampled the same value on the other phase signal and there is an edge on the other signal. The two consecutive edges of one phase signal sampling the same value on other phase signal is not sufficient to declare a direction magnetic, as particulate contamination may mask one or more reflective bars on the optical or magnetic disk of the sensor. Refer to the following figure for waveforms.

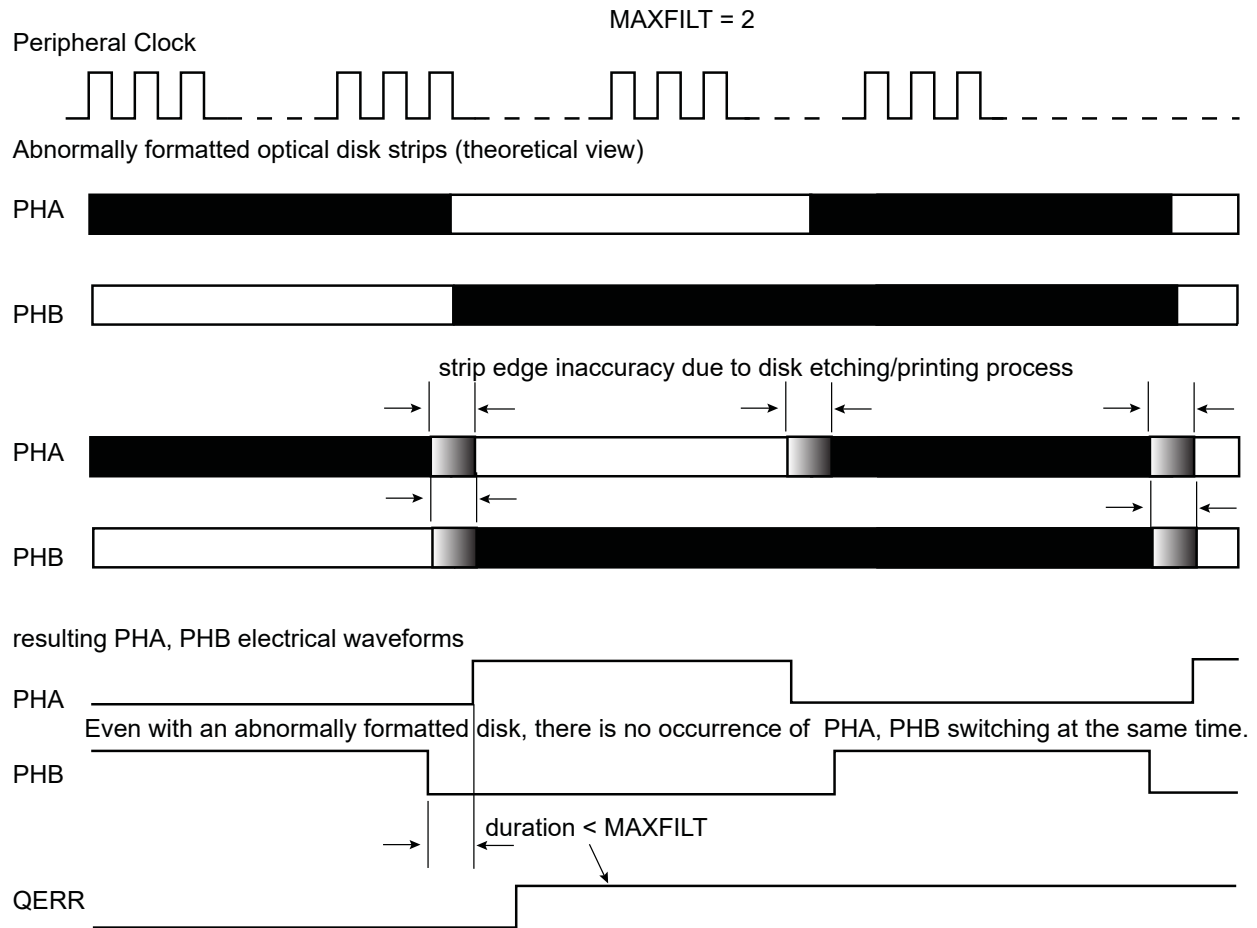
**Figure 39-20.** Rotation Change Detection



The direction change detection is disabled when TC\_BMR.QDTRANS is set. In this case, the DIR flag report must not be used.

A quadrature error is also reported by the QDEC via TC\_QISR.QERR. This error is reported if the time difference between two edges on PHA, PHB is lower than a predefined value. This predefined value is configurable and corresponds to  $(TC\_BMR.MAXFILT + 1) \times t_{\text{peripheral clock}}$  ns. After being filtered, there is no reason to have two edges closer than  $(TC\_BMR.MAXFILT + 1) \times t_{\text{peripheral clock}}$  ns under normal mode of operation.

**Figure 39-21.** Quadrature Error Detection



MAXFILT must be tuned according to several factors such as the peripheral clock frequency, type of rotary sensor and rotation speed to be achieved.

#### 39.6.16.4 Position and Rotation Measurement

When TC\_BMR.POSEN is set, the motor axis position is processed on channel 0 (by means of the PHA, PHB edge detections) and the number of motor revolutions are recorded on channel 1 if the IDX signal is provided on the TIOB1 input. If no IDX signal is available, the internal counter can be cleared for each revolution if the number of counts per revolution is configured in TC\_RC0.RC and the TC\_CMR.CPCTRG bit is written to '1'. The position measurement can be read in the TC\_CV0 register and the rotation measurement can be read in the TC\_CV1 register.

Channel 0 and 1 must be configured in Capture mode (TC\_CMR0.WAVE = 0). 'Rising edge' must be selected as the External Trigger Edge (TC\_CMR.ETRGE = 0x01) and 'TIOAx' must be selected as the External Trigger (TC\_CMR.ABETRG = 0x1). The process must be started by configuring TC\_CCR.CLKEN and TC\_CCR.SWTRG.

In parallel, the number of edges are accumulated on TC channel 0 and can be read on the TC\_CV0 register.

Therefore, the accurate position can be read on both TC\_CV registers and concatenated to form a 32-bit word.

The TC channel 0 is cleared for each increment of IDX count value.

Depending on the quadrature signals, the direction is decoded and allows to count up or down in TC channels 0 and 1. The direction status is reported on TC\_QISR.

### 39.6.16.5 Speed Measurement

When TC\_BMR.SPEEDEN is set, the speed measure is enabled on channel 0.

A time base must be defined on channel 2 by writing the TC\_RC2 period register. Channel 2 must be configured in Waveform mode (WAVE bit set) in TC\_CMR2. The WAVSEL field must be defined with 0x10 to clear the counter by comparison and matching with TC\_RC value. Field ACPC must be defined at 0x11 to toggle TIOAx output.

This time base is automatically fed back to TIOAx of channel 0 when QDEN and SPEEDEN are set.

Channel 0 must be configured in Capture mode (WAVE = 0 in TC\_CMR0). TC\_CMR0.ABETRG must be configured at 1 to select TIOAx as a trigger for this channel.

EDGTRG must be set to 0x01, to clear the counter on a rising edge of the TIOAx signal and field LDRA must be set accordingly to 0x01, to load TC\_RA0 at the same time as the counter is cleared (LDRB must be set to 0x01). As a consequence, at the end of each time base period the differentiation required for the speed calculation is performed.

The process must be started by configuring bits CLKEN and SWTRG in the TC\_CCR.

The speed can be read on field RA in TC\_RA0.

Channel 1 can still be used to count the number of revolutions of the motor.

### 39.6.16.6 Detecting a Missing Index Pulse

To detect a missing index pulse due contamination, dust, etc., the TC\_SR0.CPCS flag can be used. It is also possible to assert the interrupt line if the TC\_SR0.CPCS flag is enabled as a source of the interrupt by writing a '1' to TC\_IER0.CPCS.

The TC\_RC0.RC field must be written with the nominal number of counts per revolution provided by the rotary encoder, plus a margin to eliminate potential noise (e.g., if nominal count per revolution is 1024, then TC\_RC0.RC=1026).

If the index pulse is missing, the timer value is not cleared and the nominal value is exceeded, then the comparator on the RC triggers an event, TC\_SR0.CPCS=1, and the interrupt line is asserted if TC\_IER0.CPCS=1.

The missing index pulse detection is only valid if the bit TC\_QISR.DIRCHG=0.

### 39.6.16.7 Detecting Contamination/Dust at Rotary Encoder Low Speed

The contamination/dust that can be filtered when the rotary encoder speed is high may not be filtered at low speed, thus creating unsolicited direction change, etc.

At low speed, even a minor contamination may appear as a long pulse, and thus not filtered and processed as a standard quadrature encoder pulse.

This contamination can be detected by using the similar method as the missing index detection.

A contamination exists on a phase line if TC\_SR.CPCS = 1 and TC\_QISR.DIRCHG = 1 when there is no solicited change of direction.

### 39.6.17 2-bit Gray Up/Down Counter for Stepper Motor

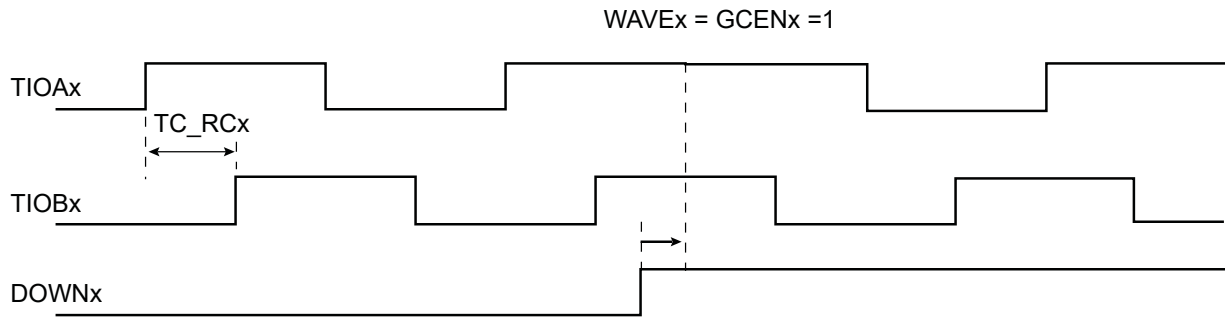
Each channel can be independently configured to generate a 2-bit Gray count waveform on corresponding TIOAx, TIOBx outputs by means of TC\_SMMRx.GCEN.

Up or Down count can be defined by writing TC\_SMMRx.DOWN.

It is mandatory to configure the channel in Waveform mode in the TC\_CMR.

The period of the counters can be programmed in TC\_RCx.

**Figure 39-22.** 2-bit Gray Up/Down Counter



### 39.6.18 Fault Mode

At any time, the TC\_RCx registers can be used to perform a comparison on the respective current channel counter value (TC\_CVx) with the value of TC\_RCx register.

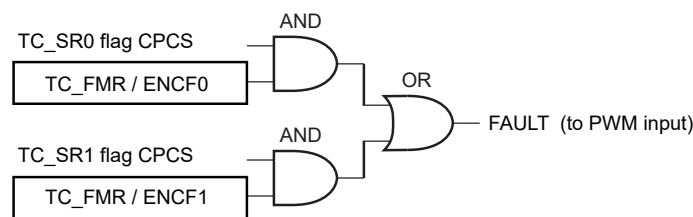
The CPCSx flags can be set accordingly and an interrupt can be generated.

This interrupt is processed but requires an unpredictable amount of time to be achieved the required action.

It is possible to trigger the FAULT output of the TIMER1 with CPCS from TC\_SR0 and/or CPCS from TC\_SR1. Each source can be independently enabled/disabled in the TC\_FMR.

This can be useful to detect an overflow on speed and/or position when QDEC is processed and to act immediately by using the FAULT output.

**Figure 39-23.** Fault Output Generation



### 39.6.19 Register Write Protection

To prevent any single software error from corrupting TC behavior, certain registers in the address space can be write-protected by setting the WPEN bit in the [TC Write Protection Mode Register](#) (TC\_WPMR).

The Timer Counter clock of the first channel must be enabled to access TC\_WPMR.

The following registers can be write-protected when WPEN is set:

- [TC Block Mode Register](#)
- [TC Channel Mode Register Capture Mode](#)
- [TC Channel Mode Register Waveform Mode](#)
- [TC Fault Mode Register](#)
- [TC Stepper Motor Mode Register](#)
- [TC Register A](#)
- [TC Register B](#)
- [TC Register C](#)
- [TC Extended Mode Register](#)

## 39.7 Register Summary

**Note:** The register TC\_CMCR has two modes, Capture Mode and Waveform Mode. In this register summary, both modes are displayed

Offset	Name	Bit Pos.	7	6	5	4	3	2	1	0
0x00	TC_CCR0	7:0						SWTRG	CLKDIS	CLKEN
		15:8								
		23:16								
		31:24								
0x04	TC_CMRO	7:0	LDBDIS	LDBSTOP	BURST[1:0]		CLKI	TCCLKS[2:0]		
		15:8	WAVE	CPCTRG			ABETRG	ETRGEDG[1:0]		
		23:16	SBSMPLR[2:0]				LDRB[1:0]	LDRA[1:0]		
		31:24								
0x04	TC_CMRO	7:0	CPCDIS	CPCSTOP	BURST[1:0]		CLKI	TCCLKS[2:0]		
		15:8	WAVE	WAVSEL[1:0]		ENETRG	EEVT[1:0]		EEVTEDG[1:0]	
		23:16	ASWTRG[1:0]		AEEVT[1:0]		ACPC[1:0]		ACPA[1:0]	
		31:24	BSWTRG[1:0]		BEEVT[1:0]		BCPC[1:0]		BCPB[1:0]	
0x08	TC_SMMR0	7:0							DOWN	GCEN
		15:8								
		23:16								
		31:24								
0x0C	TC_RAB0	7:0					RAB[7:0]			
		15:8					RAB[15:8]			
		23:16					RAB[23:16]			
		31:24					RAB[31:24]			
0x10	TC_CV0	7:0					CV[7:0]			
		15:8					CV[15:8]			
		23:16					CV[23:16]			
		31:24					CV[31:24]			
0x14	TC_RA0	7:0					RA[7:0]			
		15:8					RA[15:8]			
		23:16					RA[23:16]			
		31:24					RA[31:24]			
0x18	TC_RB0	7:0					RB[7:0]			
		15:8					RB[15:8]			
		23:16					RB[23:16]			
		31:24					RB[31:24]			
0x1C	TC_RC0	7:0					RC[7:0]			
		15:8					RC[15:8]			
		23:16					RC[23:16]			
		31:24					RC[31:24]			
0x20	TC_SRO	7:0	ETRGS	LDRBS	LDRAS	CPCS	CPBS	CPAS	LOVRS	COVFS
		15:8								
		23:16					MTIOB	MTIOA	CLKSTA	
		31:24								
0x24	TC_IER0	7:0	ETRGS	LDRBS	LDRAS	CPCS	CPBS	CPAS	LOVRS	COVFS
		15:8								
		23:16								
		31:24								
0x28	TC_IDR0	7:0	ETRGS	LDRBS	LDRAS	CPCS	CPBS	CPAS	LOVRS	COVFS
		15:8								
		23:16								
		31:24								
0x2C	TC_IMR0	7:0	ETRGS	LDRBS	LDRAS	CPCS	CPBS	CPAS	LOVRS	COVFS
		15:8								
		23:16								
		31:24								
0x30	TC_EMRO	7:0			TRIGSRCB[1:0]				TRIGSRCA[1:0]	
		15:8							NODIVCLK	
		23:16								
		31:24								



.....continued

Offset	Name	Bit Pos.	7	6	5	4	3	2	1	0	
0x34 ... 0x3F	Reserved										
0x40	TC_CCR1	7:0						SWTRG	CLKDIS	CLKEN	
		15:8									
		23:16									
		31:24									
0x44	TC_CMR1	7:0	LDBDIS	LDBSTOP	BURST[1:0]		CLKI		TCCLKS[2:0]		
		15:8	WAVE	CPCTRG				ABETRG	ETRGEDG[1:0]		
		23:16			SBSMPLR[2:0]			LDRB[1:0]	LDRA[1:0]		
		31:24									
0x44	TC_CMR1	7:0	CPCDIS	CPCSTOP	BURST[1:0]		CLKI		TCCLKS[2:0]		
		15:8	WAVE	WAVSEL[1:0]	ENETRG		EEVT[1:0]	EEVTEDG[1:0]			
		23:16	ASWTRG[1:0]		AEEVT[1:0]		ACPC[1:0]	ACPA[1:0]			
		31:24	BSWTRG[1:0]		BEEVT[1:0]		BCPC[1:0]	BCPB[1:0]			
0x48	TC_SMMR1	7:0							DOWN	GCEN	
		15:8									
		23:16									
		31:24									
0x4C	TC_RAB1	7:0								RAB[7:0]	
		15:8								RAB[15:8]	
		23:16									RAB[23:16]
		31:24									RAB[31:24]
0x50	TC_CV1	7:0								CV[7:0]	
		15:8								CV[15:8]	
		23:16									CV[23:16]
		31:24									CV[31:24]
0x54	TC_RA1	7:0								RA[7:0]	
		15:8								RA[15:8]	
		23:16									RA[23:16]
		31:24									RA[31:24]
0x58	TC_RB1	7:0								RB[7:0]	
		15:8								RB[15:8]	
		23:16									RB[23:16]
		31:24									RB[31:24]
0x5C	TC_RC1	7:0								RC[7:0]	
		15:8								RC[15:8]	
		23:16									RC[23:16]
		31:24									RC[31:24]
0x60	TC_SR1	7:0	ETRGS	LDRBS	LDRAS	CPCS	CPBS	CPAS	LOVRS	COVFS	
		15:8									
		23:16							MTIOB	MTIOA	CLKSTA
		31:24									
0x64	TC_IER1	7:0	ETRGS	LDRBS	LDRAS	CPCS	CPBS	CPAS	LOVRS	COVFS	
		15:8									
		23:16									
		31:24									
0x68	TC_IDR1	7:0	ETRGS	LDRBS	LDRAS	CPCS	CPBS	CPAS	LOVRS	COVFS	
		15:8									
		23:16									
		31:24									
0x6C	TC_IMR1	7:0	ETRGS	LDRBS	LDRAS	CPCS	CPBS	CPAS	LOVRS	COVFS	
		15:8									
		23:16									
		31:24									
0x70	TC_EMR1	7:0				TRIGSRCB[1:0]				TRIGSRCA[1:0]	
		15:8								NODIVCLK	
		23:16									
		31:24									

.....continued

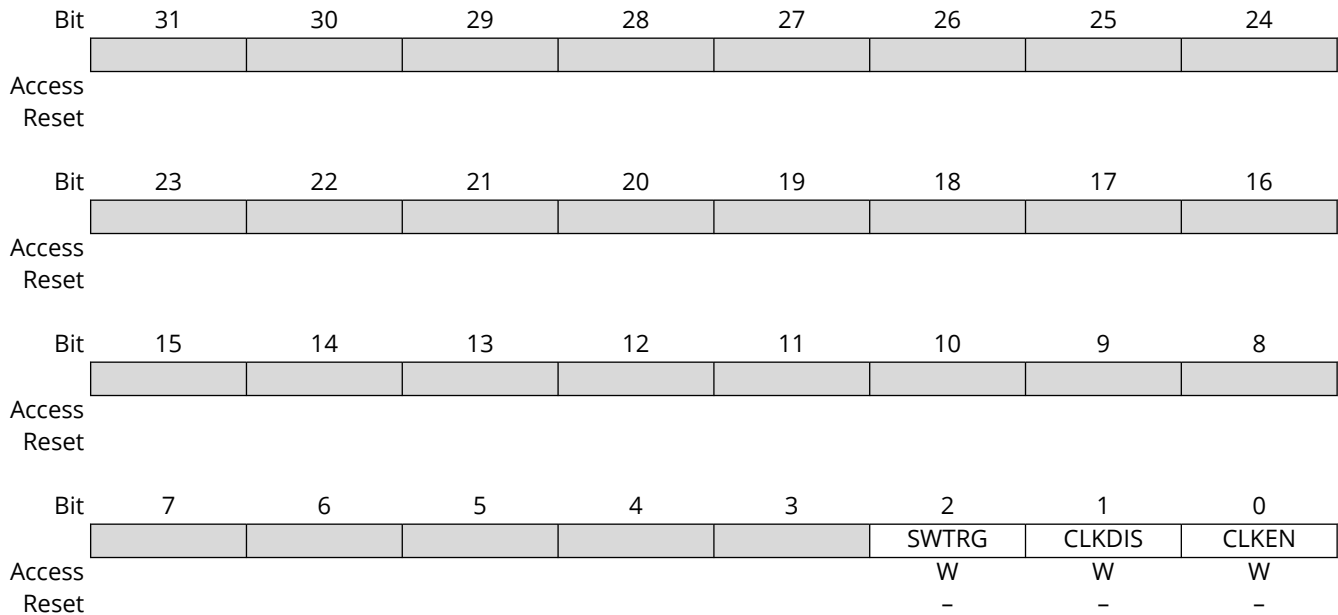
Offset	Name	Bit Pos.	7	6	5	4	3	2	1	0	
0x74 ... 0x7F	Reserved										
0x80	TC_CCR2	7:0						SWTRG	CLKDIS	CLKEN	
		15:8									
		23:16									
		31:24									
0x84	TC_CMR2	7:0	LDBDIS	LDBSTOP	BURST[1:0]		CLKI		TCCLKS[2:0]		
		15:8	WAVE	CPCTRG				ABETRG	ETRGEDG[1:0]		
		23:16			SBSMPLR[2:0]			LDRB[1:0]	LDRA[1:0]		
		31:24									
0x84	TC_CMR2	7:0	CPCDIS	CPCSTOP	BURST[1:0]		CLKI		TCCLKS[2:0]		
		15:8	WAVE	WAVSEL[1:0]	ENETRG			EEVT[1:0]	EEVTEDG[1:0]		
		23:16	ASWTRG[1:0]		AEEVT[1:0]			ACPC[1:0]	ACPA[1:0]		
		31:24	BSWTRG[1:0]		BEEVT[1:0]			BCPC[1:0]	BCPB[1:0]		
0x88	TC_SMMR2	7:0							DOWN	GCEN	
		15:8									
		23:16									
		31:24									
0x8C	TC_RAB2	7:0								RAB[7:0]	
		15:8								RAB[15:8]	
		23:16								RAB[23:16]	
		31:24								RAB[31:24]	
0x90	TC_CV2	7:0								CV[7:0]	
		15:8								CV[15:8]	
		23:16								CV[23:16]	
		31:24								CV[31:24]	
0x94	TC_RA2	7:0								RA[7:0]	
		15:8								RA[15:8]	
		23:16								RA[23:16]	
		31:24								RA[31:24]	
0x98	TC_RB2	7:0								RB[7:0]	
		15:8								RB[15:8]	
		23:16								RB[23:16]	
		31:24								RB[31:24]	
0x9C	TC_RC2	7:0								RC[7:0]	
		15:8								RC[15:8]	
		23:16								RC[23:16]	
		31:24								RC[31:24]	
0xA0	TC_SR2	7:0	ETRGS	LDRBS	LDRAS	CPCS	CPBS	CPAS	LOVRS	COVFS	
		15:8									
		23:16							MTIOB	MTIOA	CLKSTA
		31:24									
0xA4	TC_IER2	7:0	ETRGS	LDRBS	LDRAS	CPCS	CPBS	CPAS	LOVRS	COVFS	
		15:8									
		23:16									
		31:24									
0xA8	TC_IDR2	7:0	ETRGS	LDRBS	LDRAS	CPCS	CPBS	CPAS	LOVRS	COVFS	
		15:8									
		23:16									
		31:24									
0xAC	TC_IMR2	7:0	ETRGS	LDRBS	LDRAS	CPCS	CPBS	CPAS	LOVRS	COVFS	
		15:8									
		23:16									
		31:24									
0xB0	TC_EMR2	7:0			TRIGSRCB[1:0]				TRIGSRCA[1:0]		
		15:8								NODIVCLK	
		23:16									
		31:24									

.....continued

Offset	Name	Bit Pos.	7	6	5	4	3	2	1	0
0xB4 ... 0xBF	Reserved									
0xC0	TC_BCR	7:0								SYNC
		15:8								
		23:16								
		31:24								
0xC4	TC_BMR	7:0			TC2XC2S[1:0]		TC1XC1S[1:0]		TC0XC0S[1:0]	
		15:8	INVIDX	INVB	INVA	EDGPHA	QDTRANS	SPEEDEN	POSEN	QDEN
		23:16	MAXFILT[3:0]						IDXPB	SWAP
		31:24							MAXFILT[5:4]	
0xC8	TC_QIER	7:0						QERR	DIRCHG	IDX
		15:8								
		23:16								
		31:24								
0xCC	TC_QIDR	7:0						QERR	DIRCHG	IDX
		15:8								
		23:16								
		31:24								
0xD0	TC_QIMR	7:0						QERR	DIRCHG	IDX
		15:8								
		23:16								
		31:24								
0xD4	TC_QISR	7:0						QERR	DIRCHG	IDX
		15:8								DIR
		23:16								
		31:24								
0xD8	TC_FMR	7:0							ENCF1	ENCF0
		15:8								
		23:16								
		31:24								
0xDC ... 0xE3	Reserved									
0xE4	TC_WPMR	7:0								WPEN
		15:8	WPKEY[7:0]							
		23:16	WPKEY[15:8]							
		31:24	WPKEY[23:16]							

### 39.7.1 TC Channel Control Register

**Name:** TC\_CCRx  
**Offset:** 0x00 + x\*0x40 [x=0..2]  
**Reset:** -  
**Property:** Write-only



#### Bit 2 - SWTRG Software Trigger Command

Value	Description
0	No effect.
1	A software trigger is performed: the counter is reset and the clock is started.

#### Bit 1 - CLKDIS Counter Clock Disable Command

Value	Description
0	No effect.
1	Disables the clock.

#### Bit 0 - CLKEN Counter Clock Enable Command

Value	Description
0	No effect.
1	Enables the clock if CLKDIS is not 1.

### 39.7.2 TC Channel Mode Register: Capture Mode

**Name:** TC\_CMRx  
**Offset:** 0x04 + x\*0x40 [x=0..2]  
**Reset:** 0x00000000  
**Property:** Read/Write

This register can be written only if the WPEN bit is cleared in the [TC Write Protection Mode Register](#).

Bit	31	30	29	28	27	26	25	24
Access								
Reset								
Bit	23	22	21	20	19	18	17	16
Access		SBSMPLR[2:0]			LDRB[1:0]		LDRA[1:0]	
Reset		R/W	R/W	R/W	R/W	R/W	R/W	R/W
Reset		0	0	0	0	0	0	0
Bit	15	14	13	12	11	10	9	8
Access	WAVE	CPCTRG				ABETRG	ETRGEDG[1:0]	
Reset	R/W	R/W				R/W	R/W	R/W
Reset	0	0				0	0	0
Bit	7	6	5	4	3	2	1	0
Access	LDBDIS	LDBSTOP	BURST[1:0]		CLKI	TCCLKS[2:0]		
Reset	R/W	R/W	R/W	R/W	R/W	R/W	R/W	R/W
Reset	0	0	0	0	0	0	0	0

#### Bits 22:20 – SBSMPLR[2:0] Loading Edge Subsampling Ratio

Value	Name	Description
0	ONE	Load a Capture register each selected edge.
1	HALF	Load a Capture register every 2 selected edges.
2	FOURTH	Load a Capture register every 4 selected edges.
3	EIGHTH	Load a Capture register every 8 selected edges.
4	SIXTEENTH	Load a Capture register every 16 selected edges.

#### Bits 19:18 – LDRB[1:0] RB Loading Edge Selection

Value	Name	Description
0	NONE	None
1	RISING	Rising edge of TIOAx
2	FALLING	Falling edge of TIOAx
3	EDGE	Each edge of TIOAx

#### Bits 17:16 – LDRA[1:0] RA Loading Edge Selection

Value	Name	Description
0	NONE	None
1	RISING	Rising edge of TIOAx
2	FALLING	Falling edge of TIOAx
3	EDGE	Each edge of TIOAx

#### Bit 15 – WAVE Waveform Mode

Value	Description
0	Capture mode is enabled.
1	Capture mode is disabled (Waveform mode is enabled).

#### Bit 14 – CPCTRG RC Compare Trigger Enable

Value	Description
0	RC Compare has no effect on the counter and its clock.
1	RC Compare resets the counter and starts the counter clock.

#### Bit 10 – ABETRG TIOAx or TIOBx External Trigger Selection

Value	Description
0	TIOBx is used as an external trigger.
1	TIOAx is used as an external trigger.

#### Bits 9:8 – ETRGEDG[1:0] External Trigger Edge Selection

Value	Name	Description
0	NONE	The clock is not gated by an external signal.
1	RISING	Rising edge
2	FALLING	Falling edge
3	EDGE	Each edge

#### Bit 7 – LDBDIS Counter Clock Disable with RB Loading

Value	Description
0	Counter clock is not disabled when RB loading occurs.
1	Counter clock is disabled when RB loading occurs.

#### Bit 6 – LDBSTOP Counter Clock Stopped with RB Loading

Value	Description
0	Counter clock is not stopped when RB loading occurs.
1	Counter clock is stopped when RB loading occurs.

#### Bits 5:4 – BURST[1:0] Burst Signal Selection

Value	Name	Description
0	NONE	The clock is not gated by an external signal.
1	XC0	XC0 is ANDed with the selected clock.
2	XC1	XC1 is ANDed with the selected clock.
3	XC2	XC2 is ANDed with the selected clock.

#### Bit 3 – CLKI Clock Invert

Value	Description
0	Counter is incremented on rising edge of the clock.
1	Counter is incremented on falling edge of the clock.

#### Bits 2:0 – TCCLKS[2:0] Clock Selection

To operate at maximum peripheral clock frequency, refer to [“TC Extended Mode Register”](#).

Value	Name	Description
0	TIMER_CLOCK1	Clock selected: internal GCLK clock signal (from PMC)
1	TIMER_CLOCK2	Clock selected: internal MCK/8 clock signal (from PMC)
2	TIMER_CLOCK3	Clock selected: internal MCK/32 clock signal (from PMC)
3	TIMER_CLOCK4	Clock selected: internal MCK/128 clock signal (from PMC)
4	TIMER_CLOCK5	Clock selected: internal SLCK clock signal (from PMC)
5	XC0	Clock selected: XC0
6	XC1	Clock selected: XC1
7	XC2	Clock selected: XC2

### 39.7.3 TC Channel Mode Register: Waveform Mode

**Name:** TC\_CMRx  
**Offset:** 0x04 + x\*0x40 [x=0..2]  
**Reset:** 0x00000000  
**Property:** Read/Write

This register can only be written if the WPEN bit is cleared in the [TC Write Protection Mode Register](#).

Bit	31	30	29	28	27	26	25	24
	BSWTRG[1:0]		BEEVT[1:0]		BCPC[1:0]		BCPB[1:0]	
Access	R/W	R/W	R/W	R/W	R/W	R/W	R/W	R/W
Reset	0	0	0	0	0	0	0	0
Bit	23	22	21	20	19	18	17	16
	ASWTRG[1:0]		AEEVT[1:0]		ACPC[1:0]		ACPA[1:0]	
Access	R/W	R/W	R/W	R/W	R/W	R/W	R/W	R/W
Reset	0	0	0	0	0	0	0	0
Bit	15	14	13	12	11	10	9	8
	WAVE	WAVSEL[1:0]		ENETRГ	EEVT[1:0]		EEVTEDG[1:0]	
Access	R/W	R/W	R/W	R/W	R/W	R/W	R/W	R/W
Reset	0	0	0	0	0	0	0	0
Bit	7	6	5	4	3	2	1	0
	CPCDIS	CPCSTOP	BURST[1:0]		CLKI	TCCLKS[2:0]		
Access	R/W	R/W	R/W	R/W	R/W	R/W	R/W	R/W
Reset	0	0	0	0	0	0	0	0

#### Bits 31:30 – BSWTRG[1:0] Software Trigger Effect on TIOBx

Value	Name	Description
0	NONE	None
1	SET	Set
2	CLEAR	Clear
3	TOGGLE	Toggle

#### Bits 29:28 – BEEVT[1:0] External Event Effect on TIOBx

Value	Name	Description
0	NONE	None
1	SET	Set
2	CLEAR	Clear
3	TOGGLE	Toggle

#### Bits 27:26 – BCPC[1:0] RC Compare Effect on TIOBx

Value	Name	Description
0	NONE	None
1	SET	Set
2	CLEAR	Clear
3	TOGGLE	Toggle

#### Bits 25:24 – BCPB[1:0] RB Compare Effect on TIOBx

Value	Name	Description
0	NONE	None
1	SET	Set
2	CLEAR	Clear

Value	Name	Description
3	TOGGLE	Toggle

**Bits 23:22 – ASWTRG[1:0]** Software Trigger Effect on TIOAx

Value	Name	Description
0	NONE	None
1	SET	Set
2	CLEAR	Clear
3	TOGGLE	Toggle

**Bits 21:20 – AEEVT[1:0]** External Event Effect on TIOAx

Value	Name	Description
0	NONE	None
1	SET	Set
2	CLEAR	Clear
3	TOGGLE	Toggle

**Bits 19:18 – ACPC[1:0]** RC Compare Effect on TIOAx

Value	Name	Description
0	NONE	None
1	SET	Set
2	CLEAR	Clear
3	TOGGLE	Toggle

**Bits 17:16 – ACPA[1:0]** RA Compare Effect on TIOAx

Value	Name	Description
0	NONE	None
1	SET	Set
2	CLEAR	Clear
3	TOGGLE	Toggle

**Bit 15 – WAVE** Waveform Mode

Value	Description
0	Waveform mode is disabled (Capture mode is enabled).
1	Waveform mode is enabled.

**Bits 14:13 – WAVSEL[1:0]** Waveform Selection

Value	Name	Description
0	UP	UP mode without automatic trigger on RC Compare
1	UPDOWN	UPDOWN mode without automatic trigger on RC Compare
2	UP_RC	UP mode with automatic trigger on RC Compare
3	UPDOWN_RC	UPDOWN mode with automatic trigger on RC Compare

**Bit 12 – ENETRГ** External Event Trigger Enable

Whatever the value programmed in ENETRГ, the selected external event only controls the TIOAx output and TIOBx if not used as input (trigger event input or other input used).

Value	Description
0	The external event has no effect on the counter and its clock.
1	The external event resets the counter and starts the counter clock.

**Bits 11:10 – EEVT[1:0]** External Event Selection

Signal selected as external event.

Value	Name	Description	TIOB Direction
0	TIOB	TIOB	Input
1	XC0	XC0	Output
2	XC1	XC1	Output



.....continued

Value	Name	Description	TIOB Direction
3	XC2	XC2	Output

**Note:** If TIOB is chosen as the external event signal, it is configured as an input and no longer generates waveforms and subsequently no IRQs.

#### Bits 9:8 – EEVTEDG[1:0] External Event Edge Selection

Value	Name	Description
0	NONE	None
1	RISING	Rising edge
2	FALLING	Falling edge
3	EDGE	Each edge

#### Bit 7 – CPCDIS Counter Clock Disable with RC Compare

Value	Description
0	Counter clock is not disabled when counter reaches RC.
1	Counter clock is disabled when counter reaches RC.

#### Bit 6 – CPCSTOP Counter Clock Stopped with RC Compare

Value	Description
0	Counter clock is not stopped when counter reaches RC.
1	Counter clock is stopped when counter reaches RC.

#### Bits 5:4 – BURST[1:0] Burst Signal Selection

Value	Name	Description
0	NONE	The clock is not gated by an external signal.
1	XC0	XC0 is ANDed with the selected clock.
2	XC1	XC1 is ANDed with the selected clock.
3	XC2	XC2 is ANDed with the selected clock.

#### Bit 3 – CLKI Clock Invert

Value	Description
0	Counter is incremented on rising edge of the clock.
1	Counter is incremented on falling edge of the clock.

#### Bits 2:0 – TCCLKS[2:0] Clock Selection

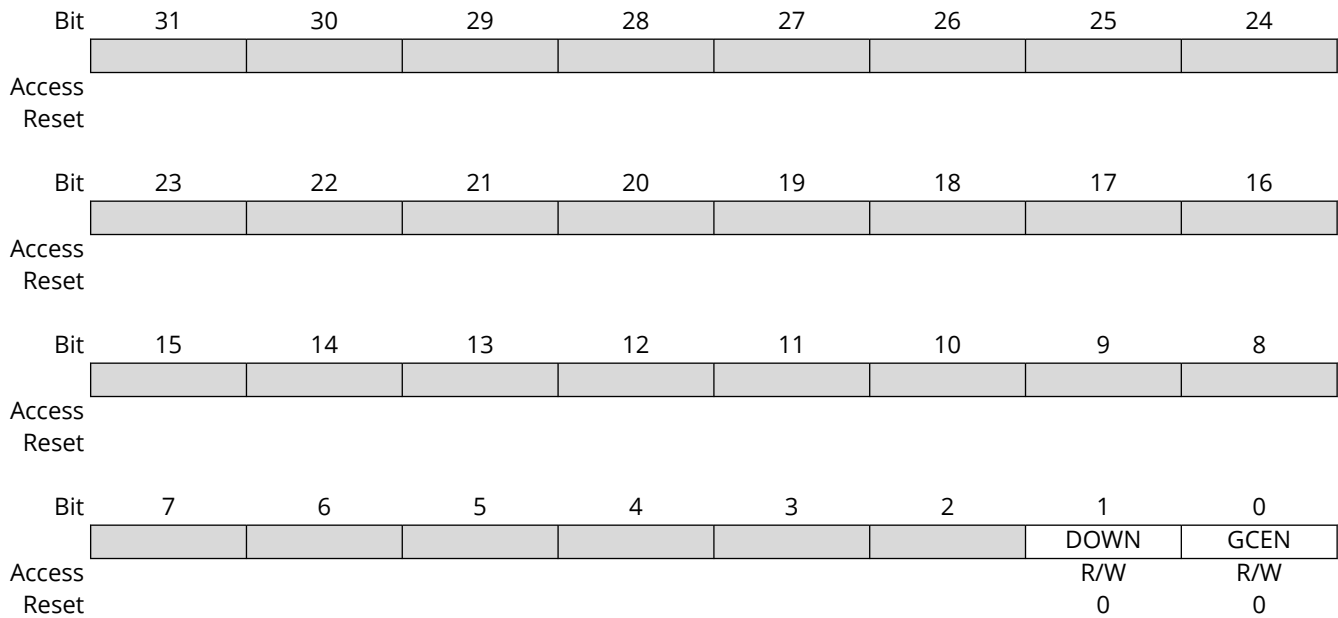
To operate at maximum peripheral clock frequency, refer to [“TC Extended Mode Register”](#).

Value	Name	Description
0	TIMER_CLOCK1	Clock selected: internal GCLK clock signal (from PMC)
1	TIMER_CLOCK2	Clock selected: internal MCK/8 clock signal (from PMC)
2	TIMER_CLOCK3	Clock selected: internal MCK/32 clock signal (from PMC)
3	TIMER_CLOCK4	Clock selected: internal MCK/128 clock signal (from PMC)
4	TIMER_CLOCK5	Clock selected: internal SLCK clock signal (from PMC)
5	XC0	Clock selected: XC0
6	XC1	Clock selected: XC1
7	XC2	Clock selected: XC2

### 39.7.4 TC Stepper Motor Mode Register

**Name:** TC\_SMMRx  
**Offset:** 0x08 + x\*0x40 [x=0..2]  
**Reset:** 0x00000000  
**Property:** R/W

This register can only be written if the WPEN bit is cleared in the [TC Write Protection Mode Register](#).



#### Bit 1 - DOWN Down Count

Value	Description
0	Up counter.
1	Down counter.

#### Bit 0 - GCEN Gray Count Enable

Value	Description
0	TIOAx [x=0..2] and TIOBx [x=0..2] are driven by internal counter of channel x.
1	TIOAx [x=0..2] and TIOBx [x=0..2] are driven by a 2-bit Gray counter.

### 39.7.5 TC Register AB

**Name:** TC\_RABx  
**Offset:** 0x0C + x\*0x40 [x=0..2]  
**Reset:** 0x00000000  
**Property:** Read-only

Bit	31	30	29	28	27	26	25	24
	RAB[31:24]							
Access	R	R	R	R	R	R	R	R
Reset	0	0	0	0	0	0	0	0
Bit	23	22	21	20	19	18	17	16
	RAB[23:16]							
Access	R	R	R	R	R	R	R	R
Reset	0	0	0	0	0	0	0	0
Bit	15	14	13	12	11	10	9	8
	RAB[15:8]							
Access	R	R	R	R	R	R	R	R
Reset	0	0	0	0	0	0	0	0
Bit	7	6	5	4	3	2	1	0
	RAB[7:0]							
Access	R	R	R	R	R	R	R	R
Reset	0	0	0	0	0	0	0	0

#### Bits 31:0 – RAB[31:0] Register A or Register B

RAB contains the next unread capture Register A or Register B value in real time. It is usually read by the DMA after a request due to a valid load edge on TIOAx.

When DMA is used, the RAB register address must be configured as source address of the transfer.

### 39.7.6 TC Counter Value Register

**Name:** TC\_CVx  
**Offset:** 0x10 + x\*0x40 [x=0..2]  
**Reset:** 0x00000000  
**Property:** Read-only

Bit	31	30	29	28	27	26	25	24
	CV[31:24]							
Access	R	R	R	R	R	R	R	R
Reset	0	0	0	0	0	0	0	0
Bit	23	22	21	20	19	18	17	16
	CV[23:16]							
Access	R	R	R	R	R	R	R	R
Reset	0	0	0	0	0	0	0	0
Bit	15	14	13	12	11	10	9	8
	CV[15:8]							
Access	R	R	R	R	R	R	R	R
Reset	0	0	0	0	0	0	0	0
Bit	7	6	5	4	3	2	1	0
	CV[7:0]							
Access	R	R	R	R	R	R	R	R
Reset	0	0	0	0	0	0	0	0

**Bits 31:0 – CV[31:0]** Counter Value  
 CV contains the counter value in real time.



**Important:**

For 16-bit channels, CV field size is limited to register bits 15:0.

### 39.7.7 TC Register A

**Name:** TC\_RA<sub>x</sub>  
**Offset:** 0x14 + x\*0x40 [x=0..2]  
**Reset:** 0x00000000  
**Property:** Read/Write

This register has access Read-only if TC\_CMRA<sub>x</sub>.WAVE = 0, Read/Write if TC\_CMRA<sub>x</sub>.WAVE = 1.  
 This register can only be written if the WPEN bit is cleared in the [TC Write Protection Mode Register](#).

Bit	31	30	29	28	27	26	25	24
	RA[31:24]							
Access	R/W	R/W	R/W	R/W	R/W	R/W	R/W	R/W
Reset	0	0	0	0	0	0	0	0
Bit	23	22	21	20	19	18	17	16
	RA[23:16]							
Access	R/W	R/W	R/W	R/W	R/W	R/W	R/W	R/W
Reset	0	0	0	0	0	0	0	0
Bit	15	14	13	12	11	10	9	8
	RA[15:8]							
Access	R/W	R/W	R/W	R/W	R/W	R/W	R/W	R/W
Reset	0	0	0	0	0	0	0	0
Bit	7	6	5	4	3	2	1	0
	RA[7:0]							
Access	R/W	R/W	R/W	R/W	R/W	R/W	R/W	R/W
Reset	0	0	0	0	0	0	0	0

**Bits 31:0 – RA[31:0]** Register A  
 RA contains the Register A value in real time.



**Important:**  
 For 16-bit channels, RA field size is limited to register bits 15:0.

### 39.7.8 TC Register B

**Name:** TC\_RBx  
**Offset:** 0x18 + x\*0x40 [x=0..2]  
**Reset:** 0x00000000  
**Property:** Read/Write

This register has access Read-only if TC\_CMRx.WAVE = 0, Read/Write if TC\_CMRx.WAVE = 1.  
 This register can only be written if the WPEN bit is cleared in the [TC Write Protection Mode Register](#).

Bit	31	30	29	28	27	26	25	24
	RB[31:24]							
Access	R/W	R/W	R/W	R/W	R/W	R/W	R/W	R/W
Reset	0	0	0	0	0	0	0	0
Bit	23	22	21	20	19	18	17	16
	RB[23:16]							
Access	R/W	R/W	R/W	R/W	R/W	R/W	R/W	R/W
Reset	0	0	0	0	0	0	0	0
Bit	15	14	13	12	11	10	9	8
	RB[15:8]							
Access	R/W	R/W	R/W	R/W	R/W	R/W	R/W	R/W
Reset	0	0	0	0	0	0	0	0
Bit	7	6	5	4	3	2	1	0
	RB[7:0]							
Access	R/W	R/W	R/W	R/W	R/W	R/W	R/W	R/W
Reset	0	0	0	0	0	0	0	0

**Bits 31:0 – RB[31:0]** Register B  
 RB contains the Register B value in real time.



**Important:**  
 For 16-bit channels, RB field size is limited to register bits 15:0.

### 39.7.9 TC Register C

**Name:** TC\_RCx  
**Offset:** 0x1C + x\*0x40 [x=0..2]  
**Reset:** 0x00000000  
**Property:** Read/Write

This register can only be written if the WPEN bit is cleared in the [TC Write Protection Mode Register](#).

Bit	31	30	29	28	27	26	25	24
	RC[31:24]							
Access	R/W	R/W	R/W	R/W	R/W	R/W	R/W	R/W
Reset	0	0	0	0	0	0	0	0
Bit	23	22	21	20	19	18	17	16
	RC[23:16]							
Access	R/W	R/W	R/W	R/W	R/W	R/W	R/W	R/W
Reset	0	0	0	0	0	0	0	0
Bit	15	14	13	12	11	10	9	8
	RC[15:8]							
Access	R/W	R/W	R/W	R/W	R/W	R/W	R/W	R/W
Reset	0	0	0	0	0	0	0	0
Bit	7	6	5	4	3	2	1	0
	RC[7:0]							
Access	R/W	R/W	R/W	R/W	R/W	R/W	R/W	R/W
Reset	0	0	0	0	0	0	0	0

#### Bits 31:0 – RC[31:0] Register C

RC contains the Register C value in real time.



**Important:**

For 16-bit channels, RC field size is limited to register bits 15:0.

### 39.7.10 TC Interrupt Status Register

**Name:** TC\_SRx  
**Offset:** 0x20 + x\*0x40 [x=0..2]  
**Reset:** 0x00000000  
**Property:** Read-only

Bit	31	30	29	28	27	26	25	24
Access								
Reset								
Bit	23	22	21	20	19	18	17	16
Access						MTIOB	MTIOA	CLKSTA
Reset						R	R	R
Bit	15	14	13	12	11	10	9	8
Access								
Reset								
Bit	7	6	5	4	3	2	1	0
Access	ETRGS	LDRBS	LDRAS	CPCS	CPBS	CPAS	LOVRS	COVFS
Reset	R	R	R	R	R	R	R	R
Reset	0	0	0	0	0	0	0	0

#### Bit 18 – MTIOB TIOBx Mirror

Value	Description
0	TIOBx is low. If TC_CMRx.WAVE = 0, TIOBx pin is low. If TC_CMRx.WAVE = 1, TIOBx is driven low.
1	TIOBx is high. If TC_CMRx.WAVE = 0, TIOBx pin is high. If TC_CMRx.WAVE = 1, TIOBx is driven high.

#### Bit 17 – MTIOA TIOAx Mirror

Value	Description
0	TIOAx is low. If TC_CMRx.WAVE = 0, TIOAx pin is low. If TC_CMRx.WAVE = 1, TIOAx is driven low.
1	TIOAx is high. If TC_CMRx.WAVE = 0, TIOAx pin is high. If TC_CMRx.WAVE = 1, TIOAx is driven high.

#### Bit 16 – CLKSTA Clock Enabling Status

Value	Description
0	Clock is disabled.
1	Clock is enabled.

#### Bit 7 – ETRGS External Trigger Status (cleared on read)

Value	Description
0	External trigger has not occurred since the last read of the Status Register.
1	External trigger has occurred since the last read of the Status Register.

#### Bit 6 – LDRBS RB Loading Status (cleared on read)

Value	Description
0	RB Load has not occurred since the last read of the Status Register or TC_CMRx.WAVE = 1.
1	RB Load has occurred since the last read of the Status Register, if TC_CMRx.WAVE = 0.

#### Bit 5 – LDRAS RA Loading Status (cleared on read)



Value	Description
0	RA Load has not occurred since the last read of the Status Register or TC_CM Rx.WAVE = 1.
1	RA Load has occurred since the last read of the Status Register, if TC_CM Rx.WAVE = 0.

**Bit 4 – CPAS** RC Compare Status (cleared on read)

Value	Description
0	RC Compare has not occurred since the last read of the Status Register.
1	RC Compare has occurred since the last read of the Status Register.

**Bit 3 – CPBS** RB Compare Status (cleared on read)

Value	Description
0	RB Compare has not occurred since the last read of the Status Register or TC_CM Rx.WAVE = 0.
1	RB Compare has occurred since the last read of the Status Register, if TC_CM Rx.WAVE = 1.

**Bit 2 – CPAS** RA Compare Status (cleared on read)

Value	Description
0	RA Compare has not occurred since the last read of the Status Register or TC_CM Rx.WAVE = 0.
1	RA Compare has occurred since the last read of the Status Register, if TC_CM Rx.WAVE = 1.

**Bit 1 – LOVRS** Load Overrun Status (cleared on read)

Value	Description
0	Load overrun has not occurred since the last read of the Status Register or TC_CM Rx.WAVE = 1.
1	RA or RB have been loaded at least twice without any read of the corresponding register since the last read of the Status Register, if TC_CM Rx.WAVE = 0.

**Bit 0 – COVFS** Counter Overflow Status (cleared on read)

Value	Description
0	No counter overflow has occurred since the last read of the Status Register.
1	A counter overflow has occurred since the last read of the Status Register.

### 39.7.11 TC Interrupt Enable Register

**Name:** TC\_IERx  
**Offset:** 0x24 + x\*0x40 [x=0..2]  
**Reset:** -  
**Property:** Write-only

The following configuration values are valid for all listed bit names of this register:

0: No effect.

1: Enables the corresponding interrupt.

Bit	31	30	29	28	27	26	25	24
Access								
Reset								
Bit	23	22	21	20	19	18	17	16
Access								
Reset								
Bit	15	14	13	12	11	10	9	8
Access								
Reset								
Bit	7	6	5	4	3	2	1	0
Access	W	W	W	W	W	W	W	W
Reset	-	-	-	-	-	-	-	-

**Bit 7 - ETRGS** External Trigger

**Bit 6 - LDRBS** RB Loading

**Bit 5 - LDRAS** RA Loading

**Bit 4 - CPCS** RC Compare

**Bit 3 - CPBS** RB Compare

**Bit 2 - CPAS** RA Compare

**Bit 1 - LOVRS** Load Overrun

**Bit 0 - COVFS** Counter Overflow

### 39.7.12 TC Interrupt Disable Register

**Name:** TC\_IDRx  
**Offset:** 0x28 + x\*0x40 [x=0..2]  
**Reset:** -  
**Property:** Write-only

The following configuration values are valid for all listed bit names of this register:

0: No effect.

1: Disables the corresponding interrupt.

Bit	31	30	29	28	27	26	25	24
Access								
Reset								
Bit	23	22	21	20	19	18	17	16
Access								
Reset								
Bit	15	14	13	12	11	10	9	8
Access								
Reset								
Bit	7	6	5	4	3	2	1	0
Access	W	W	W	W	W	W	W	W
Reset	-	-	-	-	-	-	-	-

**Bit 7 - ETRGS** External Trigger

**Bit 6 - LDRBS** RB Loading

**Bit 5 - LDRAS** RA Loading

**Bit 4 - CPCS** RC Compare

**Bit 3 - CPBS** RB Compare

**Bit 2 - CPAS** RA Compare

**Bit 1 - LOVRS** Load Overrun

**Bit 0 - COVFS** Counter Overflow

### 39.7.13 TC Interrupt Mask Register

**Name:** TC\_IMRx  
**Offset:** 0x2C + x\*0x40 [x=0..2]  
**Reset:** 0x00000000  
**Property:** Read-only

The following configuration values are valid for all listed bit names of this register:

0: The corresponding interrupt is not enabled.

1: The corresponding interrupt is enabled.

Bit	31	30	29	28	27	26	25	24
Access								
Reset								
Bit	23	22	21	20	19	18	17	16
Access								
Reset								
Bit	15	14	13	12	11	10	9	8
Access								
Reset								
Bit	7	6	5	4	3	2	1	0
Access	R	R	R	R	R	R	R	R
Reset	0	0	0	0	0	0	0	0
	ETRGS	LDRBS	LDRAS	CPCS	CPBS	CPAS	LOVRS	COVFS

**Bit 7 - ETRGS** External Trigger

**Bit 6 - LDRBS** RB Loading

**Bit 5 - LDRAS** RA Loading

**Bit 4 - CPCS** RC Compare

**Bit 3 - CPBS** RB Compare

**Bit 2 - CPAS** RA Compare

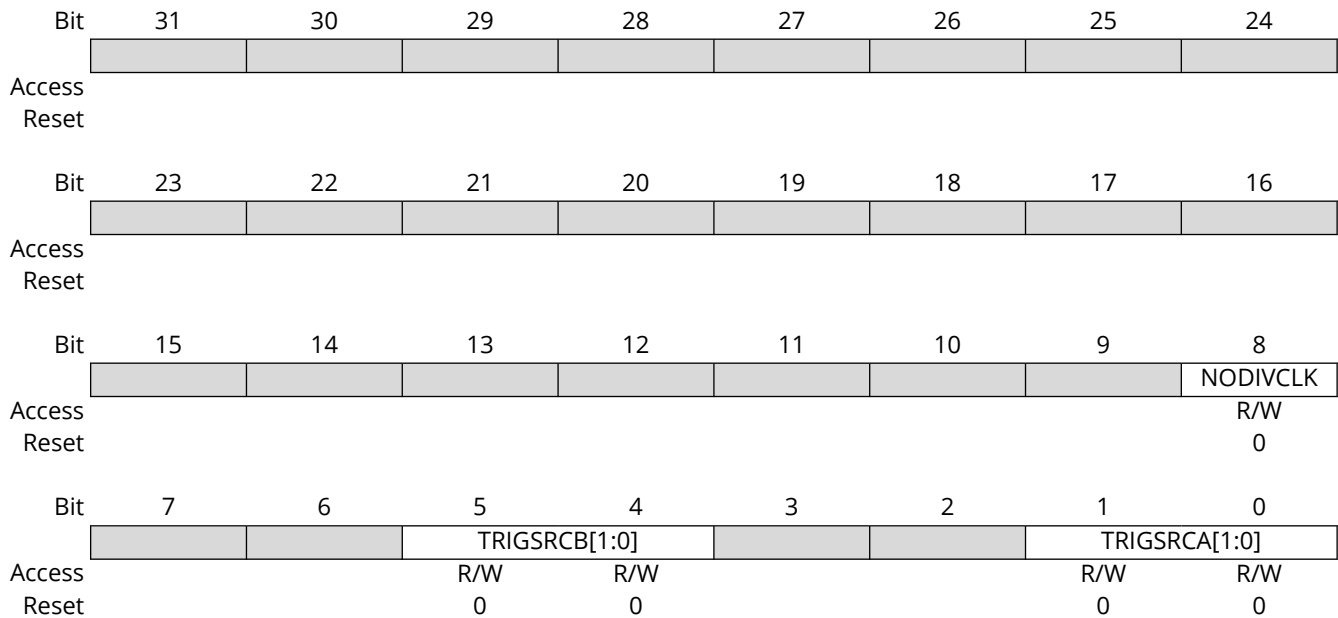
**Bit 1 - LOVRS** Load Overrun

**Bit 0 - COVFS** Counter Overflow

### 39.7.14 TC Extended Mode Register

**Name:** TC\_EMRx  
**Offset:** 0x30 + x\*0x40 [x=0..2]  
**Reset:** 0x00000000  
**Property:** Read/Write

This register can only be written if the WPEN bit is cleared in the [TC Write Protection Mode Register](#).



#### Bit 8 – NODIVCLK No Divided Clock

Value	Description
0	The selected clock is defined by field TCCLKS in TC_CMRx.
1	The selected clock is peripheral clock and TCCLKS field (TC_CMRx) has no effect.

#### Bits 5:4 – TRIGSRCB[1:0] Trigger Source for Input B

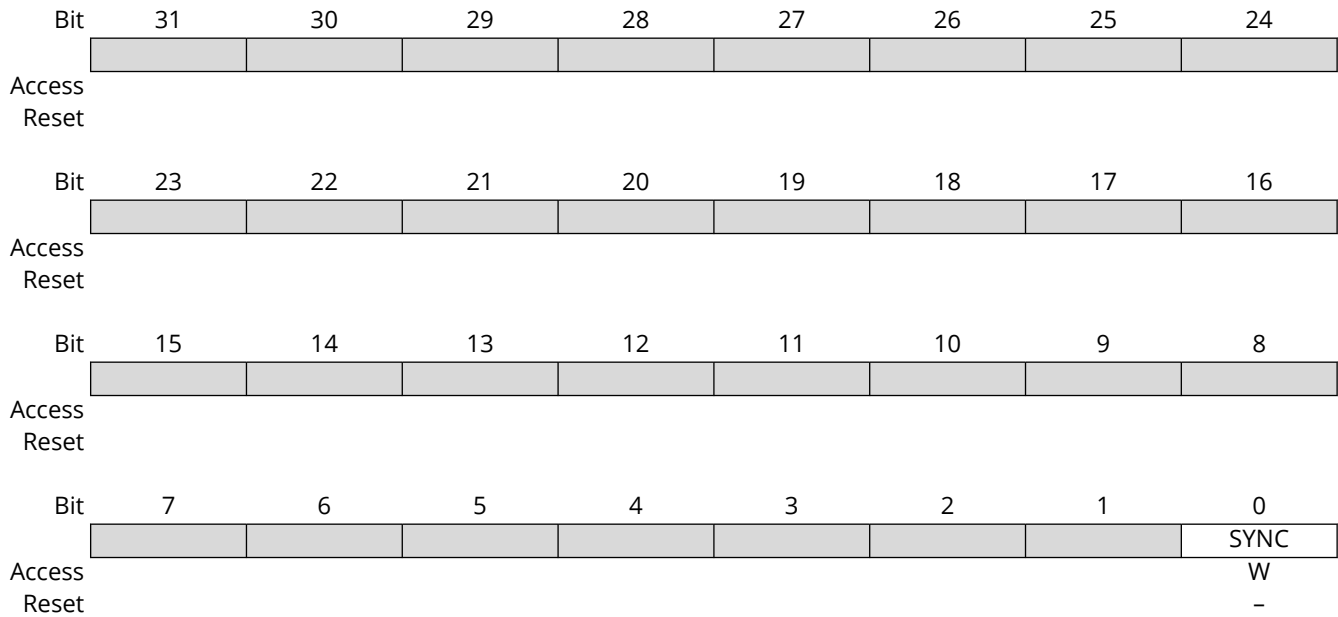
Value	Name	Description
0	EXTERNAL_TIOBx	The trigger/capture input B is driven by external pin TIOBx
1	PWMx	The trigger/capture input B is driven internally by the comparator output (see <a href="#">Synchronization with PWM</a> ) of the PWMx.

#### Bits 1:0 – TRIGSRCA[1:0] Trigger Source for Input A

Value	Name	Description
0	EXTERNAL_TIOAx	The trigger/capture input A is driven by external pin TIOAx
1	PWMx	The trigger/capture input A is driven internally by PWMx

### 39.7.15 TC Block Control Register

**Name:** TC\_BCR  
**Offset:** 0xC0  
**Reset:** -  
**Property:** Write-only



#### Bit 0 - SYNC Synchro Command

Value	Description
0	No effect.
1	Asserts the SYNC signal which generates a software trigger simultaneously for each of the channels.

### 39.7.16 TC Block Mode Register

**Name:** TC\_BMR  
**Offset:** 0xC4  
**Reset:** 0x00000000  
**Property:** Read/Write

This register can only be written if the WPEN bit is cleared in the [TC Write Protection Mode Register](#).

Bit	31	30	29	28	27	26	25	24
							MAXFILT[5:4]	
Access							R/W	R/W
Reset							0	0
Bit	23	22	21	20	19	18	17	16
	MAXFILT[3:0]						IDXPHB	SWAP
Access	R/W	R/W	R/W	R/W			R/W	R/W
Reset	0	0	0	0			0	0
Bit	15	14	13	12	11	10	9	8
	INVIDX	INVB	INVA	EDGPHA	QDTRANS	SPEEDEN	POSEN	QDEN
Access	R/W	R/W	R/W	R/W	R/W	R/W	R/W	R/W
Reset	0	0	0	0	0	0	0	0
Bit	7	6	5	4	3	2	1	0
			TC2XC2S[1:0]		TC1XC1S[1:0]		TC0XC0S[1:0]	
Access			R/W	R/W	R/W	R/W	R/W	R/W
Reset			0	0	0	0	0	0

#### Bits 25:20 – MAXFILT[5:0] Maximum Filter

Pulses with a period shorter than MAXFILT+1 peripheral clock cycles are discarded. For more details on MAXFILT constraints, see [“Input Preprocessing”](#)

Value	Description
1–63	Defines the filtering capabilities.

#### Bit 17 – IDXPHB Index Pin is PHB Pin

Value	Description
0	IDX pin of the rotary sensor must drive TIOA1.
1	IDX pin of the rotary sensor must drive TIOB0.

#### Bit 16 – SWAP Swap PHA and PHB

Value	Description
0	No swap between PHA and PHB.
1	Swap PHA and PHB internally, prior to driving the QDEC.

#### Bit 15 – INVIDX Inverted Index

Value	Description
0	IDX (TIOA1) is directly driving the QDEC.
1	IDX is inverted before driving the QDEC.

#### Bit 14 – INVB Inverted PHB

Value	Description
0	PHB (TIOB0) is directly driving the QDEC.
1	PHB is inverted before driving the QDEC.

**Bit 13 – INVA** Inverted PHA

Value	Description
0	PHA (TIOA0) is directly driving the QDEC.
1	PHA is inverted before driving the QDEC.

**Bit 12 – EDGPHA** Edge on PHA Count Mode

Value	Description
0	Edges are detected on PHA only.
1	Edges are detected on both PHA and PHB.

**Bit 11 – QDTRANS** Quadrature Decoding Transparent

Value	Description
0	Full quadrature decoding logic is active (direction change detected).
1	Quadrature decoding logic is inactive (direction change inactive) but input filtering and edge detection are performed.

**Bit 10 – SPEEDEN** Speed Enabled

Value	Description
0	Disabled.
1	Enables the speed measure on channel 0, the time base being provided by channel 2.

**Bit 9 – POSEN** Position Enabled

Value	Description
0	Disable position.
1	Enables the position measure on channel 0 and 1.

**Bit 8 – QDEN** Quadrature Decoder Enabled

Quadrature decoding (direction change) can be disabled using QDTRANS bit. One of the POSEN or SPEEDEN bits must be also enabled.

Value	Description
0	Disabled.
1	Enables the QDEC (filter, edge detection and quadrature decoding).

**Bits 5:4 – TC2XC2S[1:0]** External Clock Signal 2 Selection

Value	Name	Description
0	TCLK2	Signal connected to XC2: TCLK2
1	–	Reserved
2	TIOA0	Signal connected to XC2: TIOA0
3	TIOA1	Signal connected to XC2: TIOA1

**Bits 3:2 – TC1XC1S[1:0]** External Clock Signal 1 Selection

Value	Name	Description
0	TCLK1	Signal connected to XC1: TCLK1
1	–	Reserved
2	TIOA0	Signal connected to XC1: TIOA0
3	TIOA2	Signal connected to XC1: TIOA2

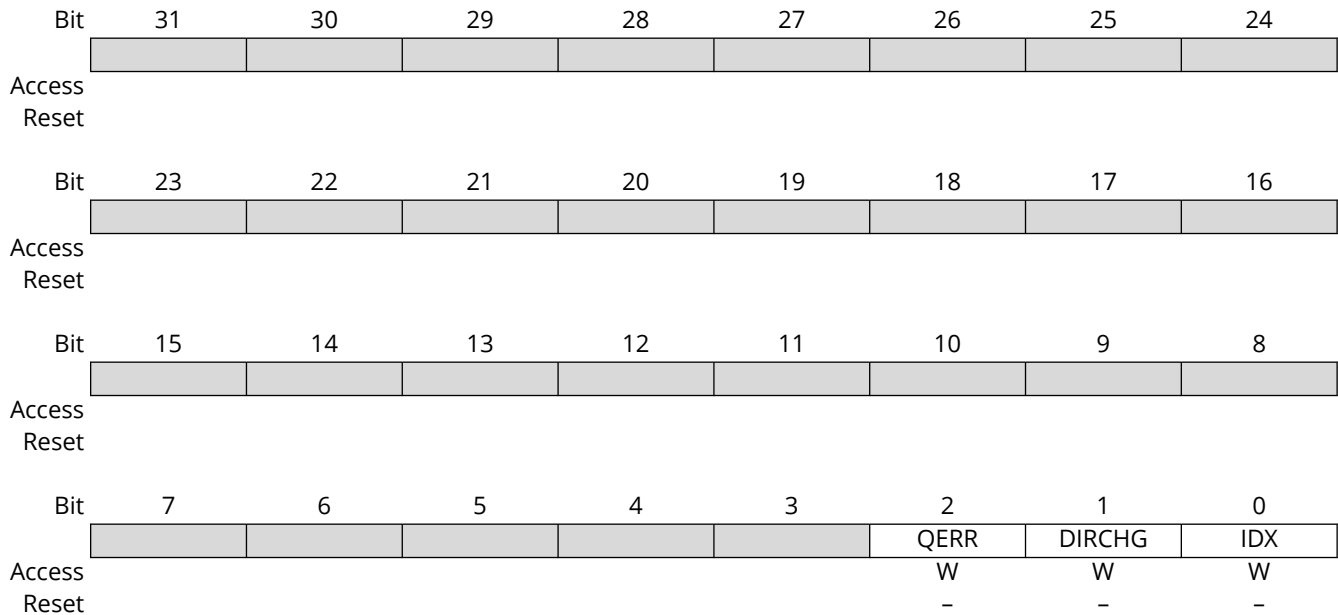
**Bits 1:0 – TC0XC0S[1:0]** External Clock Signal 0 Selection

Value	Name	Description
0	TCLK0	Signal connected to XC0: TCLK0
1	–	Reserved
2	TIOA1	Signal connected to XC0: TIOA1
3	TIOA2	Signal connected to XC0: TIOA2



### 39.7.17 TC QDEC Interrupt Enable Register

**Name:** TC\_QIER  
**Offset:** 0xC8  
**Reset:** -  
**Property:** Write-only



#### Bit 2 - QERR Quadrature Error

Value	Description
0	No effect.
1	Enables the interrupt when a quadrature error occurs on PHA, PHB.

#### Bit 1 - DIRCHG Direction Change

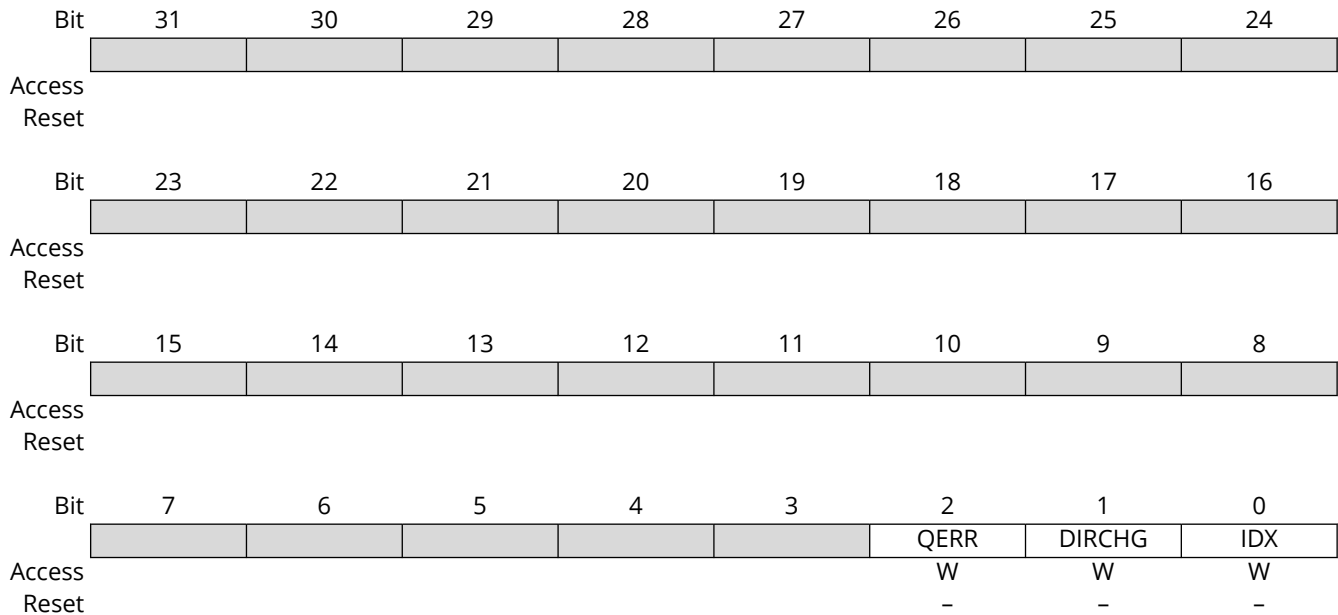
Value	Description
0	No effect.
1	Enables the interrupt when a change on rotation direction is detected.

#### Bit 0 - IDX Index

Value	Description
0	No effect.
1	Enables the interrupt when a rising edge occurs on IDX input.

### 39.7.18 TC QDEC Interrupt Disable Register

**Name:** TC\_QIDR  
**Offset:** 0xCC  
**Reset:** -  
**Property:** Write-only



#### Bit 2 - QERR Quadrature Error

Value	Description
0	No effect.
1	Disables the interrupt when a quadrature error occurs on PHA, PHB.

#### Bit 1 - DIRCHG Direction Change

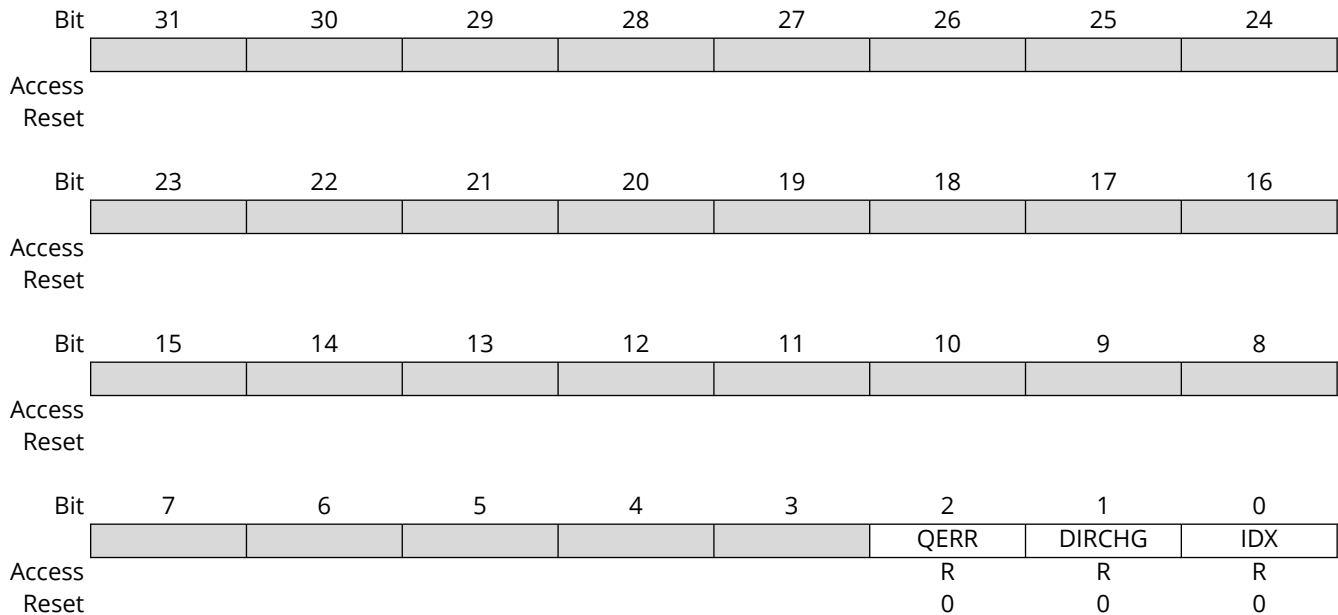
Value	Description
0	No effect.
1	Disables the interrupt when a change on rotation direction is detected.

#### Bit 0 - IDX Index

Value	Description
0	No effect.
1	Disables the interrupt when a rising edge occurs on IDX input.

### 39.7.19 TC QDEC Interrupt Mask Register

**Name:** TC\_QIMR  
**Offset:** 0xD0  
**Reset:** 0x00000000  
**Property:** Read-only



#### Bit 2 - QERR Quadrature Error

Value	Description
0	The interrupt on quadrature error is disabled.
1	The interrupt on quadrature error is enabled.

#### Bit 1 - DIRCHG Direction Change

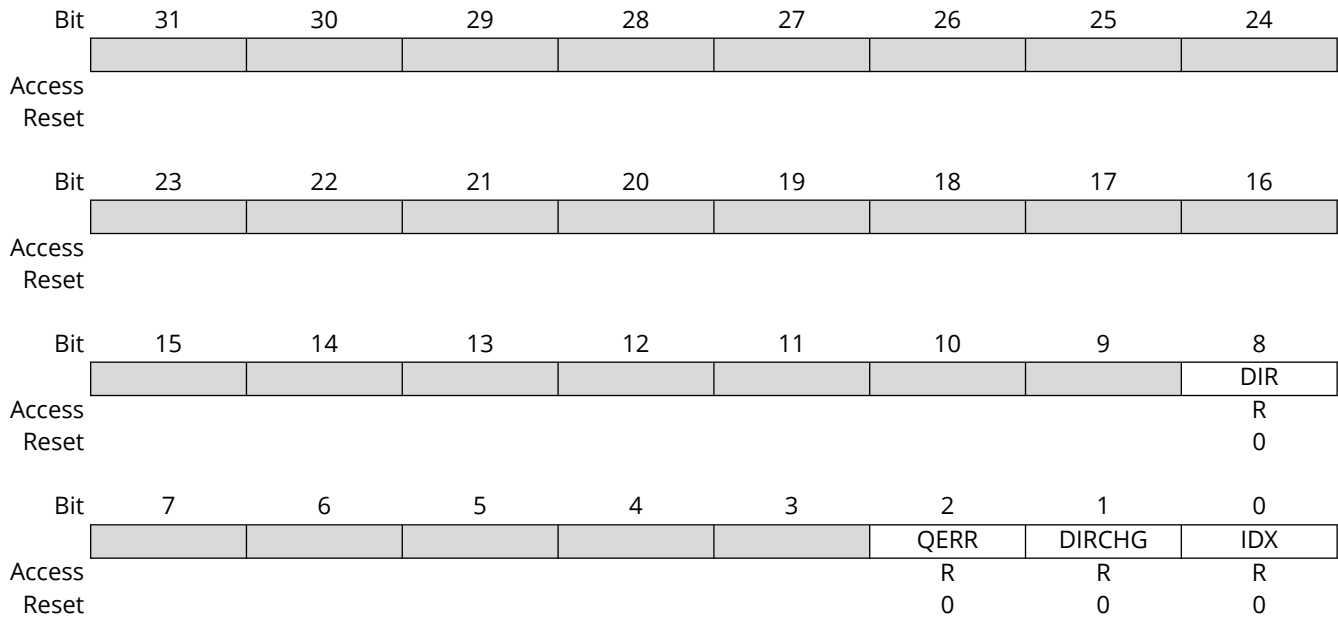
Value	Description
0	The interrupt on rotation direction change is disabled.
1	The interrupt on rotation direction change is enabled.

#### Bit 0 - IDX Index

Value	Description
0	The interrupt on IDX input is disabled.
1	The interrupt on IDX input is enabled.

### 39.7.20 TC QDEC Interrupt Status Register

**Name:** TC\_QISR  
**Offset:** 0xD4  
**Reset:** 0x00000000  
**Property:** Read-only



**Bit 8 - DIR** Direction  
Returns an image of the current rotation direction.

**Bit 2 - QERR** Quadrature Error

Value	Description
0	No quadrature error since the last read of TC_QISR.
1	A quadrature error occurred since the last read of TC_QISR.

**Bit 1 - DIRCHG** Direction Change

Value	Description
0	No change on rotation direction since the last read of TC_QISR.
1	The rotation direction changed since the last read of TC_QISR.

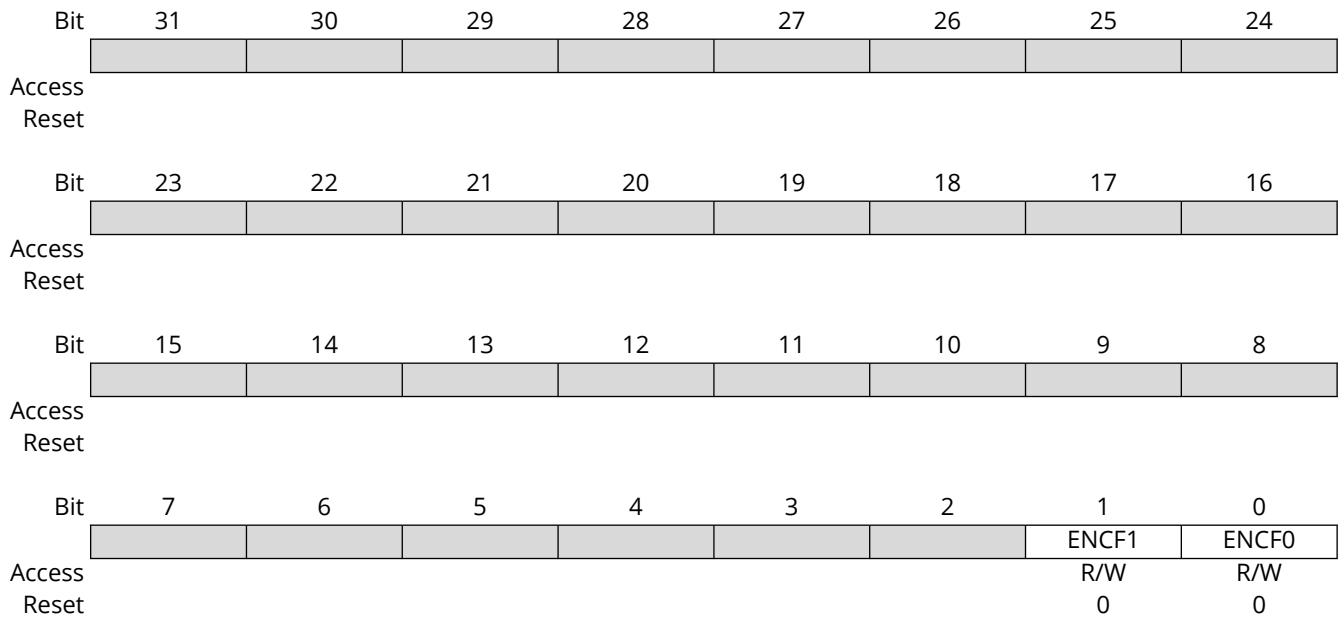
**Bit 0 - IDX** Index

Value	Description
0	No Index input change since the last read of TC_QISR.
1	The IDX input has changed since the last read of TC_QISR.

### 39.7.21 TC Fault Mode Register

**Name:** TC\_FMR  
**Offset:** 0xD8  
**Reset:** 0x00000000  
**Property:** Read/Write

This register can only be written if the WPEN bit is cleared in the [TC Write Protection Mode Register](#).



#### Bit 1 - ENCF1 Enable Compare Fault Channel 1

Value	Description
0	Disables the FAULT output source (CPCS flag) from channel 1.
1	Enables the FAULT output source (CPCS flag) from channel 1.

#### Bit 0 - ENCF0 Enable Compare Fault Channel 0

Value	Description
0	Disables the FAULT output source (CPCS flag) from channel 0.
1	Enables the FAULT output source (CPCS flag) from channel 0.

### 39.7.22 TC Write Protection Mode Register

**Name:** TC\_WPMR  
**Offset:** 0xE4  
**Reset:** 0x00000000  
**Property:** Read/Write

Bit	31	30	29	28	27	26	25	24
	WPKEY[23:16]							
Access	W	W	W	W	W	W	W	W
Reset	0	0	0	0	0	0	0	0
Bit	23	22	21	20	19	18	17	16
	WPKEY[15:8]							
Access	W	W	W	W	W	W	W	W
Reset	0	0	0	0	0	0	0	0
Bit	15	14	13	12	11	10	9	8
	WPKEY[7:0]							
Access	W	W	W	W	W	W	W	W
Reset	0	0	0	0	0	0	0	0
Bit	7	6	5	4	3	2	1	0
								WPEN
Access								R/W
Reset								0

#### Bits 31:8 – WPKEY[23:0] Write Protection Key

Value	Name	Description
0x54494D	PASSWD	Writing any other value in this field aborts the write operation of the WPEN bit. Always reads as 0.

#### Bit 0 – WPEN Write Protection Enable

The Timer Counter clock of the first channel must be enabled to access this register. See [“Register Write Protection”](#) for a list of registers that can be write-protected and Timer Counter clock conditions.

Value	Description
0	Disables the write protection if WPKEY corresponds to 0x54494D (“TIM” in ASCII).
1	Enables the write protection if WPKEY corresponds to 0x54494D (“TIM” in ASCII).

## 40. Pulse Width Modulation Controller (PWM)

### 40.1 Description

The Pulse Width Modulation Controller (PWM) generates output pulses on 4 channels independently according to parameters defined per channel. Each channel controls two complementary square output waveforms. Characteristics of the output waveforms such as period, duty-cycle, polarity and dead-times (also called dead-bands or non-overlapping times) are configured through the user interface. Each channel selects and uses one of the clocks provided by the clock generator. The clock generator provides several clocks resulting from the division of the PWM peripheral clock. External triggers can modify the output values in real time.

All accesses to the PWM are made through registers mapped on the peripheral bus. All channels integrate a double buffering system in order to prevent an unexpected output waveform while modifying the period, the spread spectrum, the duty-cycle or the dead-times.

Channels can be linked together as synchronous channels to be able to update their duty-cycle or dead-times at the same time.

The update of duty-cycles of synchronous channels can be performed by the DMA Controller channel which offers buffer transfer without processor Intervention.

The PWM includes a spread-spectrum counter to allow a constantly varying period (only for Channel 0). This counter may be useful to minimize electromagnetic interference or to reduce the acoustic noise of a PWM driven motor.

The PWM provides 8 independent comparison units capable of comparing a programmed value to the counter of the synchronous channels (counter of channel 0). These comparisons are intended to generate software interrupts, to trigger pulses on the 2 independent event lines (in order to synchronize ADC conversions with a lot of flexibility independently of the PWM outputs) and to trigger DMA Controller transfer requests.

PWM outputs can be overridden synchronously or asynchronously to their channel counter.

The PWM provides a fault protection mechanism with 7 fault inputs, capable to detect a fault condition and to override the PWM outputs asynchronously (outputs forced to '0', '1' or Hi-Z).

For safety usage, some configuration registers are write-protected.

### 40.2 Embedded Characteristics

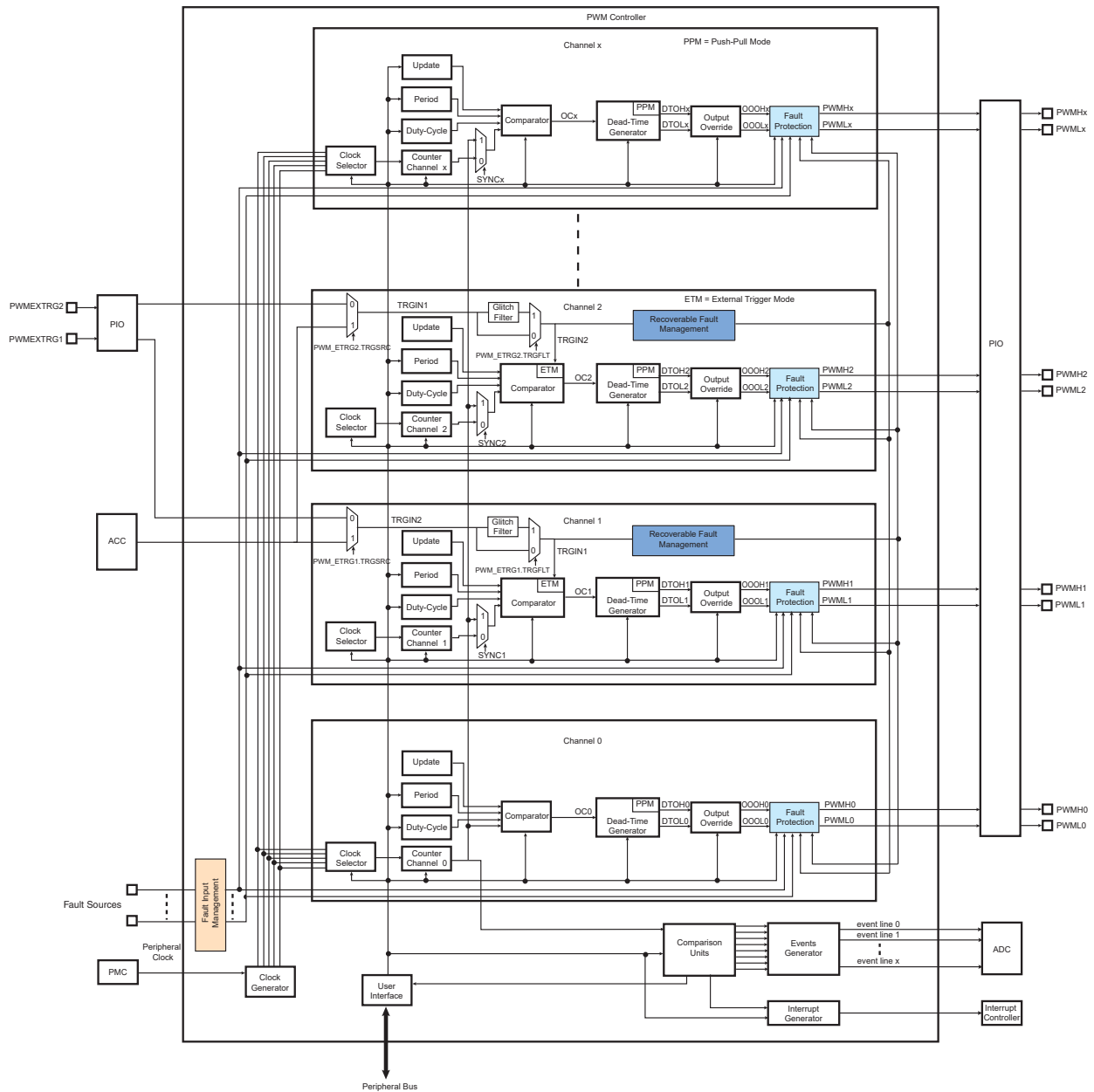
- 4 Channels
- Common Clock Generator Providing Thirteen Different Clocks
  - A Modulo n counter providing eleven clocks
  - Two independent linear dividers working on Modulo n counter outputs
- Independent Channels
  - Independent 16-bit counter for each channel
  - Independent complementary outputs with 12-bit dead-time generator (also called dead-band or non-overlapping time) for each channel
  - Independent Push-Pull mode for each channel
  - Independent enable-disable command for each channel
  - Independent clock selection for each channel
  - Independent period, duty-cycle and dead-time for each channel
  - Independent double buffering of period, duty-cycle and dead-times for each channel

- Independent programmable selection of the output waveform polarity for each channel, with double buffering
- Independent programmable center- or left-aligned output waveform for each channel
- Independent output override for each channel
- Independent interrupt for each channel, at each period for left-aligned or center-aligned configuration
- Independent update time selection of double buffering registers (polarity, duty cycle) for each channel, at each period for left-aligned or center-aligned configuration
- External Trigger Input Management (e.g., for DC/DC or Lighting Control)
  - External PWM Reset mode
  - External PWM Start mode
  - Cycle-by-cycle duty cycle mode
  - Leading-edge blanking
- 2 2-bit Gray Up/Down Channels for Stepper Motor Control
- Spread Spectrum Counter to Allow a Constantly Varying Duty Cycle (only for Channel 0)
- Synchronous Channel Mode
  - Synchronous channels share the same counter
  - Mode to update the synchronous channels registers after a programmable number of periods
  - Synchronous channels support connection of one DMA Controller channel offers buffer transfer without processor intervention to update duty-cycle registers
- 2 Independent Event Lines Intended to Synchronize ADC Conversions
  - Programmable delay for event lines to delay ADC measurements
- 8 Comparison Units Intended to Generate Interrupts, Pulses on Event Lines and DMA Controller Transfer Requests
- 7 Programmable Fault Inputs Providing Asynchronous Protection of PWM Outputs
  - 3 driven by the user through PIO inputs
  - Driven by the PMC when crystal oscillator clock fails
  - Driven by the ADC Controller through configurable comparison function
  - Driven by the Timer/Counter through configurable comparison function
- Register Write Protection



### 40.3 Block Diagram

Figure 40-1. Pulse Width Modulation Controller Block Diagram



**Note:** For a more detailed illustration of the fault protection circuitry, refer to [Fault Protection](#).

### 40.4 I/O Lines Description

Each channel outputs two complementary external I/O lines.

Table 40-1. I/O Line Description

Name	Description	Type
PWMHx	PWM Waveform Output High for channel x	Output

.....continued

Name	Description	Type
PWMLx	PWM Waveform Output Low for channel x	Output
PWMF <sub>x</sub>	PWM Fault Input x	Input
PWMEXTRG <sub>y</sub>	PWM Trigger Input y	Input

## 40.5 Product Dependencies

### 40.5.1 I/O Lines

The pins used for interfacing the PWM are multiplexed with PIO lines. The programmer must first program the PIO controller to assign the desired PWM pins to their peripheral function. If I/O lines of the PWM are not used by the application, they can be used for other purposes by the PIO controller.

All of the PWM outputs may or may not be enabled. If an application requires only four channels, then only four PIO lines are assigned to PWM outputs.

### 40.5.2 Power Management

The PWM is not continuously clocked. The programmer must first enable the PWM clock in the Power Management Controller (PMC) before using the PWM. However, if the application does not require PWM operations, the PWM clock can be stopped when not needed and be restarted later. In this case, the PWM will resume its operations where it left off.

### 40.5.3 Interrupt Sources

The PWM interrupt line is connected on one of the internal sources of the Interrupt Controller. Using the PWM interrupt requires the Interrupt Controller to be programmed first.

### 40.5.4 Fault Inputs

The PWM has the fault inputs connected to the different modules. Refer to the implementation of these modules within the product for detailed information about the fault generation procedure. The PWM receives faults from the following:

- PIO inputs
- PMC
- ADC controller
- Timer/Counters

**Table 40-2.** Fault Inputs

Fault Generator	External PWM Fault Input Number	Polarity Level <sup>(1)</sup>	Fault Input ID
<b>PWM0</b>			
PA29	PWMC0_PWMFI0	User-defined	0
PA30	PWMC0_PWMFI1	User-defined	1
PA16	PWMC0_PWMFI2	User-defined	2
Main OSC (PMC)	—	To be configured to 1	3
ADC	—	—	4
—	—	—	5
TC0	—	To be configured to 1	6
<b>PWM1</b>			
PD4	PWMC1_PWMFI0	User-defined	0
PC16	PWMC1_PWMFI01	User-defined	1
PC18	PWMC1_PWMFI02	User-defined	2

.....continued

Fault Generator	External PWM Fault Input Number	Polarity Level <sup>(1)</sup>	Fault Input ID
Main OSC (PMC)	—	To be configured to 1	3
ADC	—	—	4
—	—	—	5
TC1	—	To be configured to 1	6

**Note:**

1. FPOL field in PWMC\_FMR.

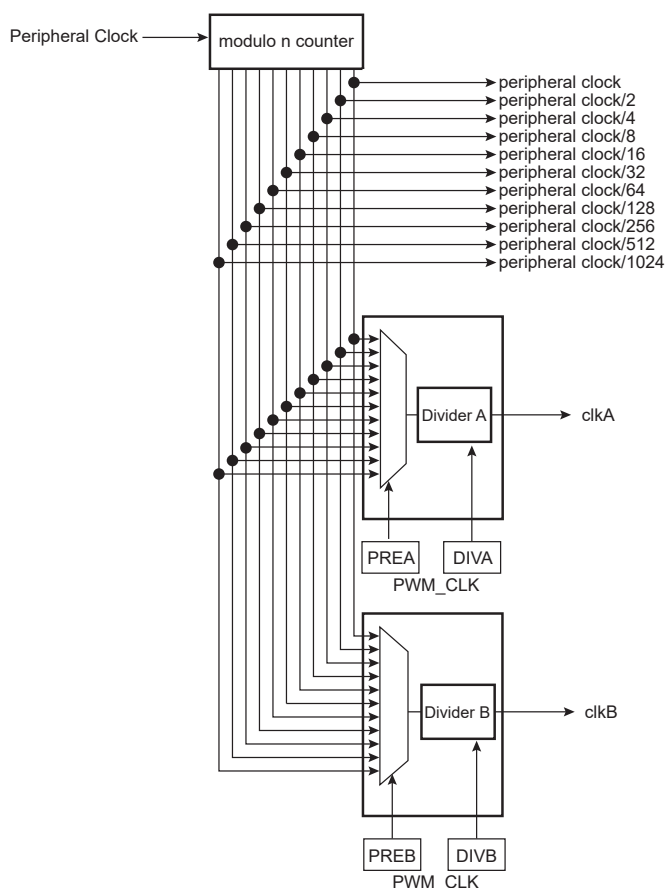
## 40.6 Functional Description

The PWM controller is primarily composed of a clock generator module and 4 channels.

- Clocked by the peripheral clock, the clock generator module provides 13 clocks.
- Each channel can independently choose one of the clock generator outputs.
- Each channel generates an output waveform with attributes that can be defined independently for each channel through the user interface registers.

### 40.6.1 PWM Clock Generator

Figure 40-2. Functional View of the Clock Generator Block Diagram



The PWM peripheral clock is divided in the clock generator module to provide different clocks available for all channels. Each channel can independently select one of the divided clocks.

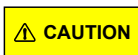
The clock generator is divided into different blocks:

- a modulo n counter which provides 11 clocks:
  - $f_{\text{peripheral clock}}$
  - $f_{\text{peripheral clock}}/2$
  - $f_{\text{peripheral clock}}/4$
  - $f_{\text{peripheral clock}}/8$
  - $f_{\text{peripheral clock}}/16$
  - $f_{\text{peripheral clock}}/32$
  - $f_{\text{peripheral clock}}/64$
  - $f_{\text{peripheral clock}}/128$
  - $f_{\text{peripheral clock}}/256$
  - $f_{\text{peripheral clock}}/512$
  - $f_{\text{peripheral clock}}/1024$
- two linear dividers (1, 1/2, 1/3, ... 1/255) that provide two separate clocks: clkA and clkB

Each linear divider can independently divide one of the clocks of the modulo n counter. The selection of the clock to be divided is made according to the PREA (PREB) field of the PWM Clock register (PWM\_CLK). The resulting clock clkA (clkB) is the clock selected divided by DIVA (DIVB) field value.

After a reset of the PWM controller, DIVA (DIVB) and PREA (PREB) are set to '0'. This implies that after reset clkA (clkB) are turned off.

At reset, all clocks provided by the modulo n counter are turned off except the peripheral clock. This situation is also true when the PWM peripheral clock is turned off through the Power Management Controller.



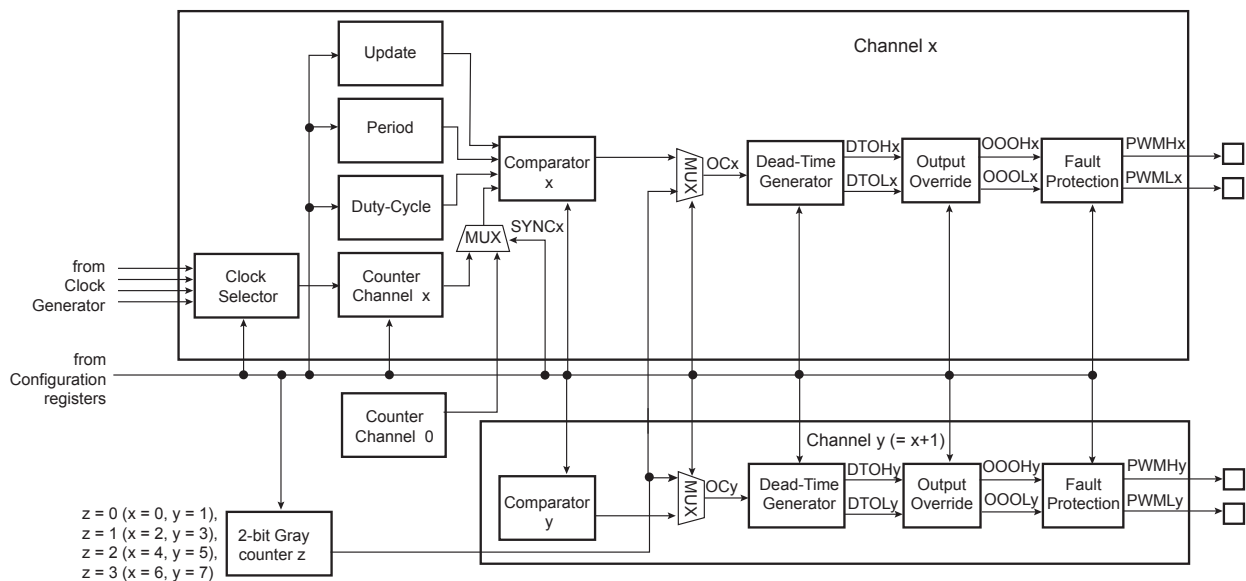
Before using the PWM controller, the programmer must first enable the peripheral clock in the Power Management Controller (PMC).

---

## 40.6.2 PWM Channel

### 40.6.2.1 Channel Block Diagram

Figure 40-3. Functional View of the Channel Block Diagram



Each of the 4 channels is composed of six blocks:

- A clock selector which selects one of the clocks provided by the clock generator (described in [PWM Clock Generator](#)).
- A counter clocked by the output of the clock selector. This counter is incremented or decremented according to the channel configuration and comparators matches. The size of the counter is 16 bits.
- A comparator used to compute the OCx output waveform according to the counter value and the configuration. The counter value can be the one of the channel counter or the one of the channel 0 counter according to SYNCx bit in the [PWM Sync Channels Mode Register](#) (PWM\_SCM).
- A 2-bit configurable Gray counter enables the stepper motor driver. One Gray counter drives 2 channels.
- A dead-time generator providing two complementary outputs (DTOHx/DTOLx) which allows to drive external power control switches safely.
- An output override block that can force the two complementary outputs to a programmed value (OOOHx/OOLx).
- An asynchronous fault protection mechanism that has the highest priority to override the two complementary outputs (PWHx/PWLy) in case of fault detection (outputs forced to '0', '1' or Hi-Z).

#### 40.6.2.2 Comparator

The comparator continuously compares its counter value with the channel period defined by CPRD in the [PWM Channel Period Register](#) (PWM\_CPRDx) and the duty-cycle defined by CDTY in the [PWM Channel Duty Cycle Register](#) (PWM\_CDTYx) to generate an output signal OCx accordingly.

The different properties of the waveform of the output OCx are:

- the clock selection. The channel counter is clocked by one of the clocks provided by the clock generator described in the previous section. This channel parameter is defined in the CPRE field of the [PWM Channel Mode Register](#) (PWM\_CMRx). This field is reset at '0'.

- the waveform period. This channel parameter is defined in the CPRD field of the PWM\_CPRDx register.  
If the waveform is left-aligned, then the output waveform period depends on the counter source clock and can be calculated:  
By using the PWM peripheral clock divided by a given prescaler value "X" (where  $X = 2^{\text{PREA}}$  is 1, 2, 4, 8, 16, 32, 64, 128, 256, 512, or 1024). The resulting period formula is:

$$\frac{(X \times \text{CPRD})}{f_{\text{peripheral clock}}}$$

By using the PWM peripheral clock divided by a given prescaler value "X" (see above) and by either the DIVA or the DIVB divider. The formula becomes, respectively:

$$\frac{(X \times \text{CPRD} \times \text{DIVA})}{f_{\text{peripheral clock}}} \text{ or } \frac{(X \times \text{CPRD} \times \text{DIVB})}{f_{\text{peripheral clock}}}$$

If the waveform is center-aligned, then the output waveform period depends on the counter source clock and can be calculated:

By using the PWM peripheral clock divided by a given prescaler value "X" (where  $X = 2^{\text{PREA}}$  is 1, 2, 4, 8, 16, 32, 64, 128, 256, 512, or 1024). The resulting period formula is:

$$\frac{(2 \times X \times \text{CPRD})}{f_{\text{peripheral clock}}}$$

By using the PWM peripheral clock divided by a given prescaler value "X" (see above) and by either the DIVA or the DIVB divider. The formula becomes, respectively:

$$\frac{(2 \times X \times \text{CPRD} \times \text{DIVA})}{f_{\text{peripheral clock}}} \text{ or}$$

$$\frac{(2 \times X \times \text{CPRD} \times \text{DIVB})}{f_{\text{peripheral clock}}}$$

- the waveform duty-cycle. This channel parameter is defined in the CDTY field of the PWM\_CDTYx register.  
If the waveform is left-aligned, then:

$$\text{duty cycle} = \frac{\text{PWM\_period} - ((1/\text{clkN}) \times \text{CDTY})}{\text{PWM\_period}}$$

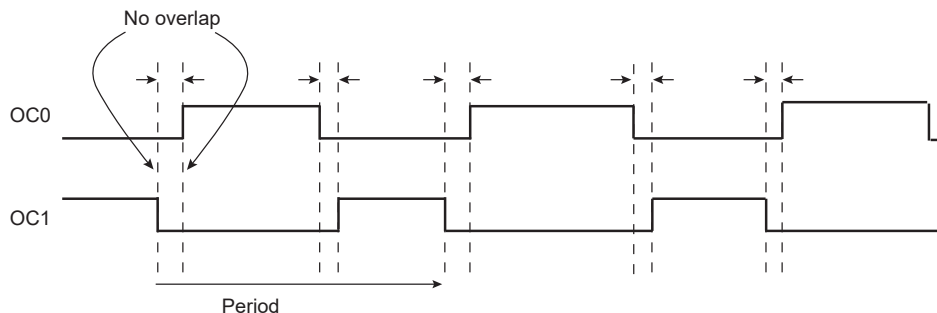
If the waveform is center-aligned, then:

$$\text{duty cycle} = \frac{((\text{PWM\_period}/2) - 1) - ((1/\text{clkN}) \times \text{CDTY})}{\text{PWM\_period}/2}$$

- the waveform polarity. At the beginning of the period, the signal can be at high or low level. This property is defined in the CPOL bit of PWM\_CMRx. By default, the signal starts by a low level. The DPOLI bit in PWM\_CMRx defines the PWM polarity when the channel is disabled (CHIDx = 0 in PWM\_SR). For more details, see the figure *Waveform Properties*.
  - DPOLI = 0: PWM polarity when the channel is disabled is the same as the one defined for the beginning of the PWM period.
  - DPOLI = 1: PWM polarity when the channel is disabled is inverted compared to the one defined for the beginning of the PWM period.

- the waveform alignment. The output waveform can be left- or center-aligned. Center-aligned waveforms can be used to generate non-overlapped waveforms. This property is defined in the CALG bit of PWM\_CMRx. The default mode is left-aligned.

**Figure 40-4.** Non-Overlapped Center-Aligned Waveforms



**Note:** See the figure [Figure 40-5](#) for a detailed description of center-aligned waveforms.

When center-aligned, the channel counter increases up to CPRD and decreases down to 0. This ends the period.

When left-aligned, the channel counter increases up to CPRD and is reset. This ends the period.

Thus, for the same CPRD value, the period for a center-aligned channel is twice the period for a left-aligned channel.

Waveforms are fixed at 0 when:

- CDTY = CPRD and CPOL = 0 (Note that if TRGMODE = MODE3, the PWM waveform switches to 1 at the external trigger event (see [Cycle-By-Cycle Duty Mode](#))).
- CDTY = 0 and CPOL = 1

Waveforms are fixed at 1 (once the channel is enabled) when:

- CDTY = 0 and CPOL = 0
- CDTY = CPRD and CPOL = 1 (Note that if TRGMODE = MODE3, the PWM waveform switches to 0 at the external trigger event (see [Cycle-By-Cycle Duty Mode](#))).

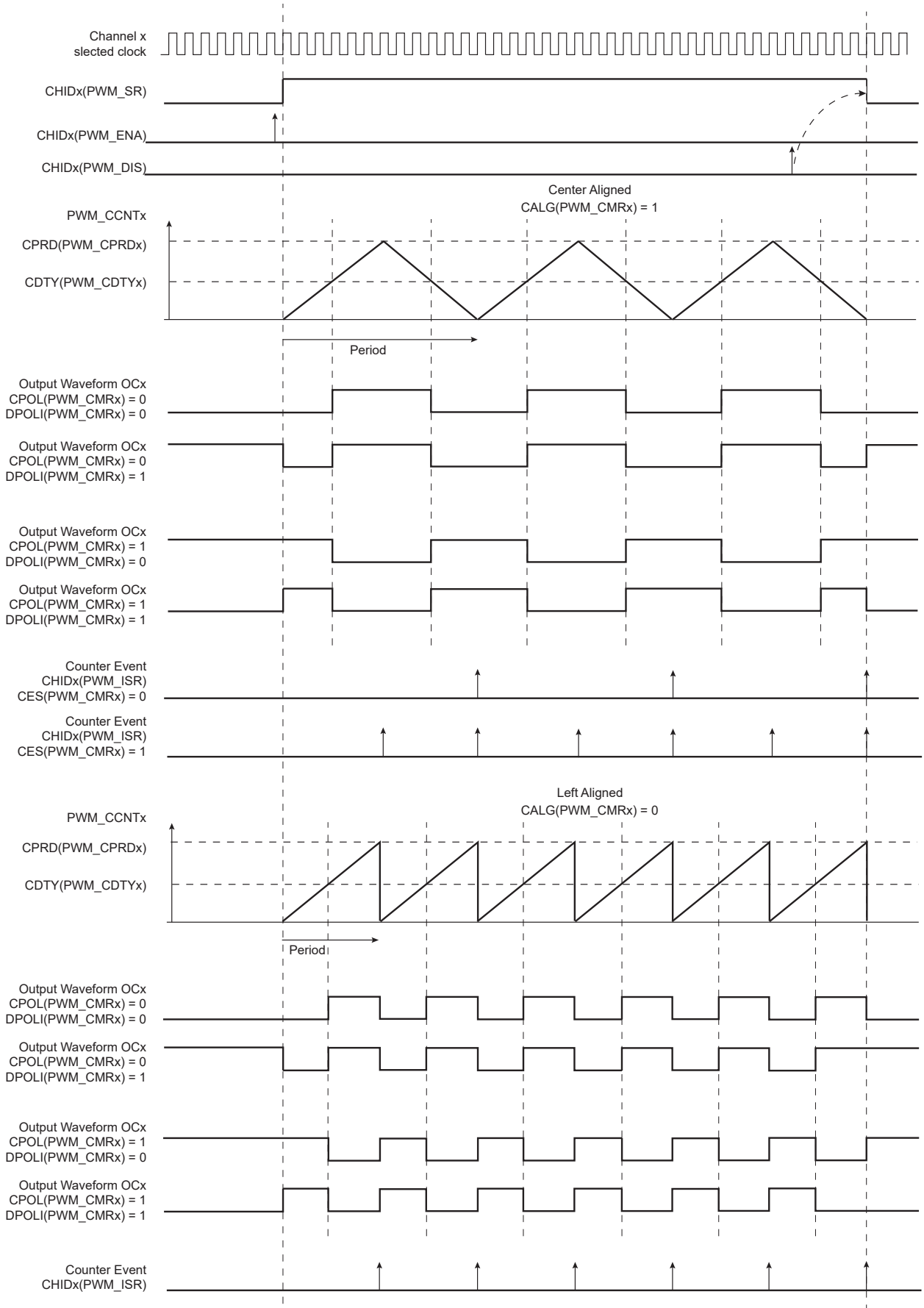
The waveform polarity must be set before enabling the channel. This immediately affects the channel output level.

Modifying CPOL in [PWM Channel Mode Register](#) while the channel is enabled can lead to an unexpected behavior of the device being driven by PWM.

In addition to generating the output signals OCx, the comparator generates interrupts depending on the counter value. When the output waveform is left-aligned, the interrupt occurs at the end of the counter period. When the output waveform is center-aligned, the bit CES of PWM\_CMRx defines when the channel counter interrupt occurs. If CES is set to '0', the interrupt occurs at the end of the counter period. If CES is set to '1', the interrupt occurs at the end of the counter period and at half of the counter period.

The figure below illustrates the counter interrupts depending on the configuration.

Figure 40-5. Waveform Properties





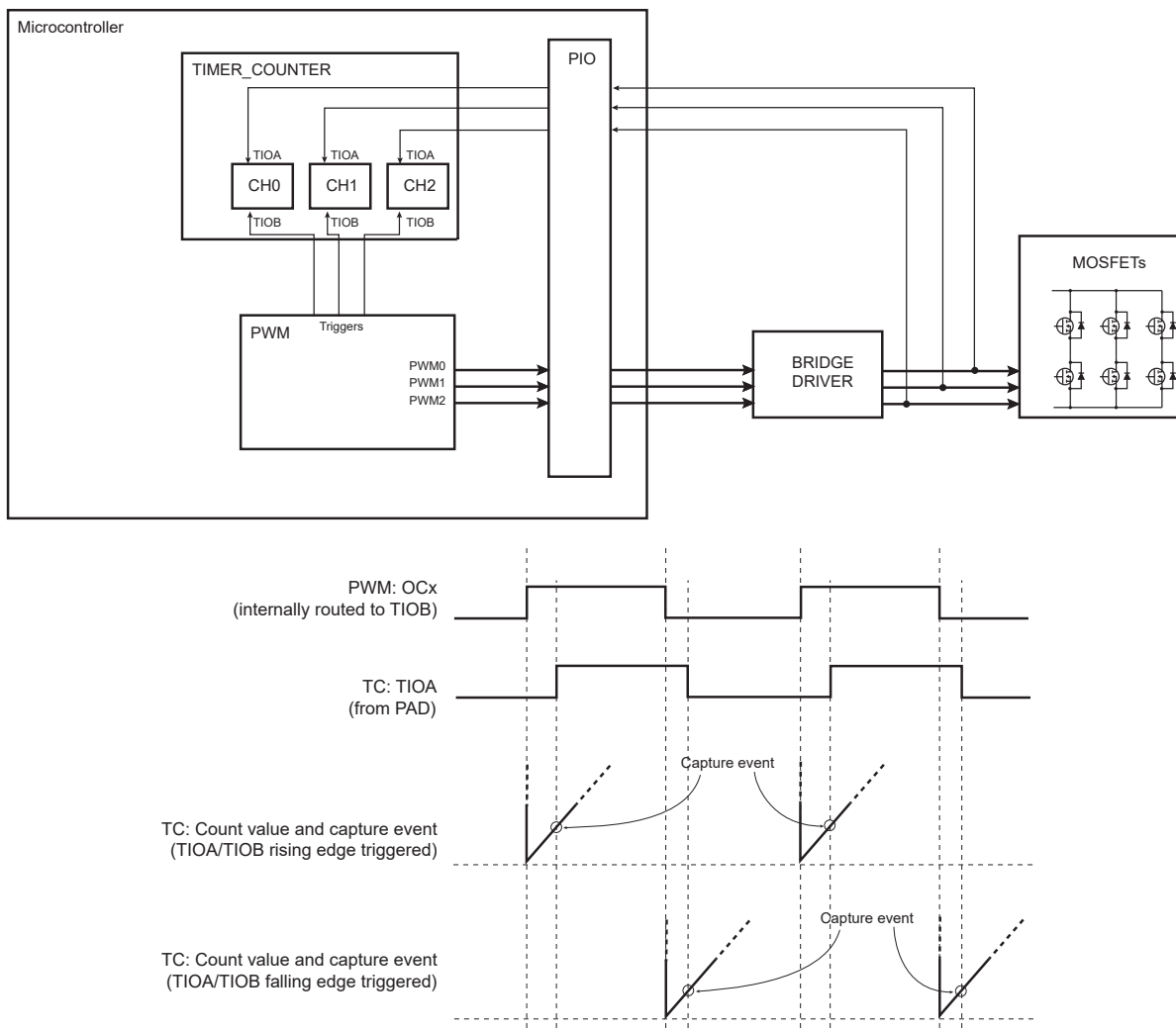
### 40.6.2.3 Trigger Selection for Timer Counter

The PWM controller can be used as a trigger source for the Timer Counter (TC) to achieve the two application examples described below.

#### 40.6.2.3.1 Delay Measurement

To measure the delay between the channel x comparator output (OCx) and the feedback from the bridge driver of the MOSFETs (see the figure below), the bit TCTS in the [PWM Channel Mode Register](#) must be at 0. This defines the comparator output of the channel x as the TC trigger source. The TIOB trigger (TC internal input) is used to start the TC; the TIOA input (from PAD) is used to capture the delay.

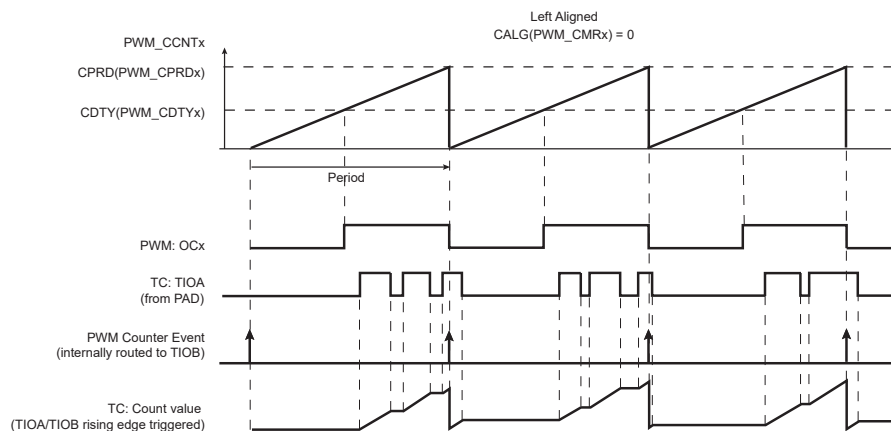
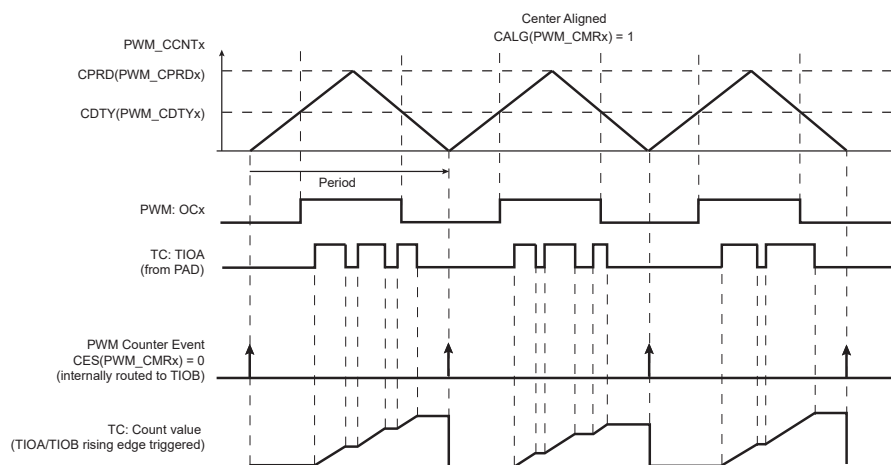
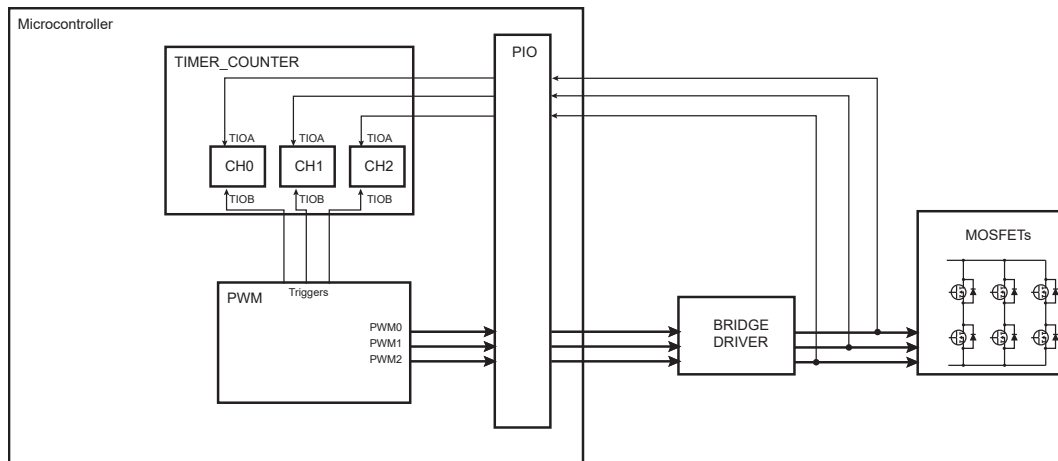
**Figure 40-6.** Triggering the TC: Delay Measurement



#### 40.6.2.3.2 Cumulated ON Time Measurement

To measure the cumulated “ON” time of MOSFETs (see the figure below), the bit TCTS of the [PWM Channel Mode Register](#) must be set to 1 to define the counter event (see the figure *Waveform Properties*) as the Timer Counter trigger source.

Figure 40-7. Triggering the TC: Cumulated “ON” Time Measurement



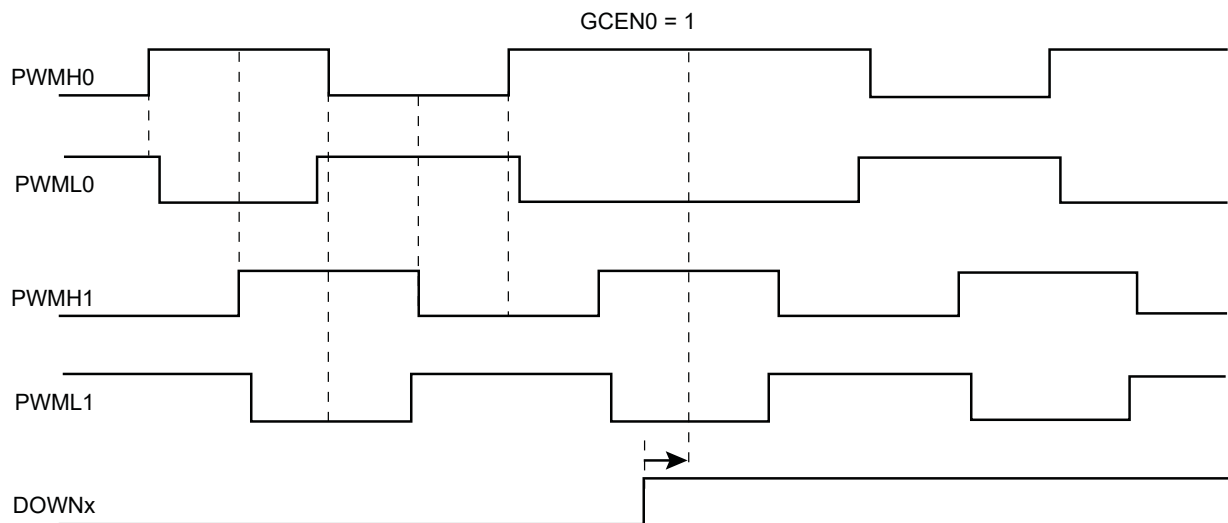
#### 40.6.2.4 2-bit Gray Up/Down Counter for Stepper Motor

A pair of channels may provide a 2-bit Gray count waveform on two outputs. Dead-time generator and other downstream logic can be configured on these channels.

Up or Down Count mode can be configured on-the-fly by means of PWM\_SMMR configuration registers.

When GCEN0 is set to '1', channels 0 and 1 outputs are driven with a Gray counter.

**Figure 40-8.** 2-bit Gray Up/Down Counter

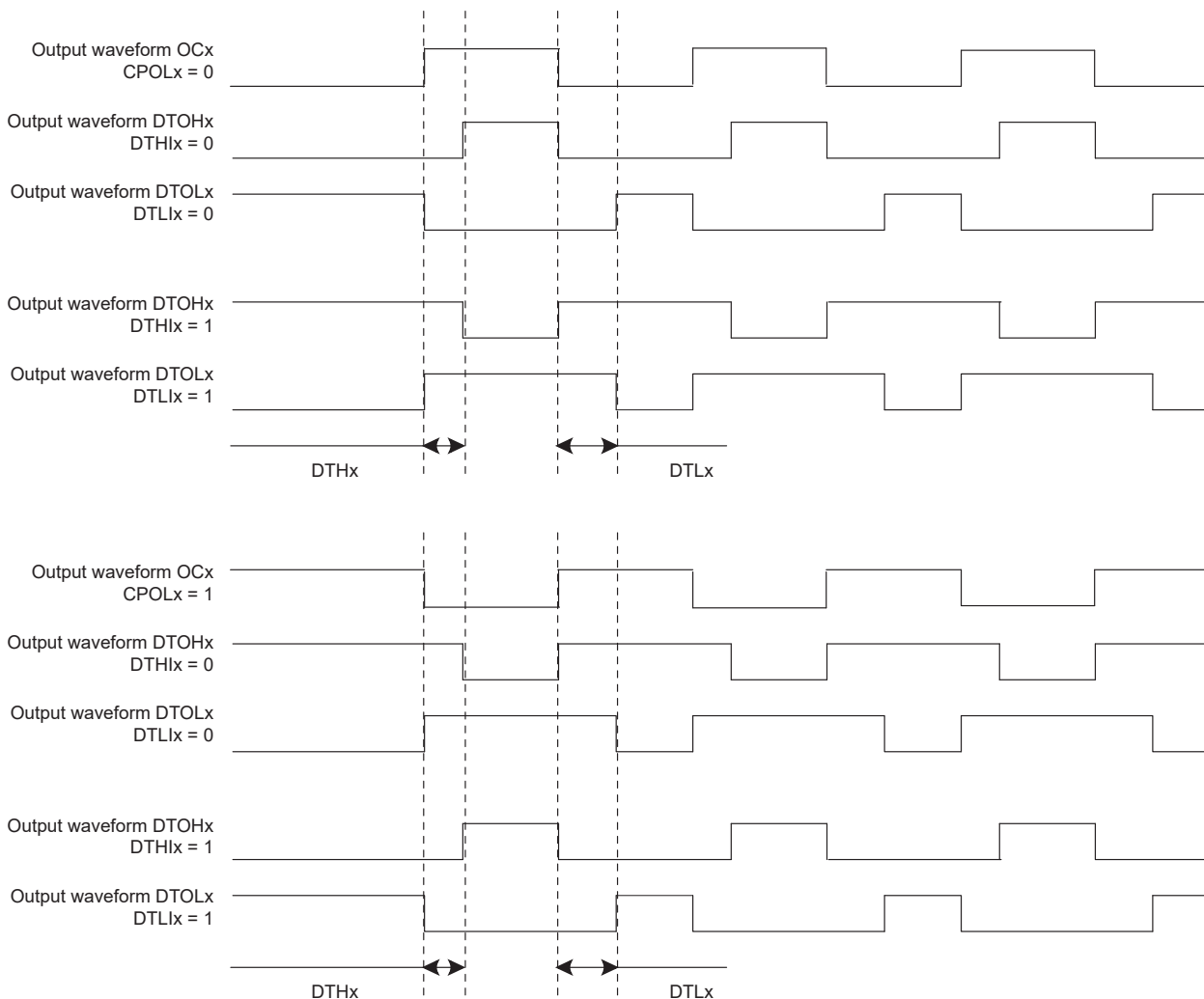


#### 40.6.2.5 Dead-Time Generator

The dead-time generator uses the comparator output OCx to provide the two complementary outputs DTOHx and DTOLx, which allows the PWM macrocell to drive external power control switches safely. When the dead-time generator is enabled by setting the bit DTE to 1 or 0 in the [PWM Channel Mode Register](#) (PWM\_CMRx), dead-times (also called dead-bands or non-overlapping times) are inserted between the edges of the two complementary outputs DTOHx and DTOLx. Note that enabling or disabling the dead-time generator is allowed only if the channel is disabled.

The dead-time is adjustable by the [PWM Channel Dead Time Register](#) (PWM\_DT<sub>x</sub>). Each output of the dead-time generator can be adjusted separately by DTH and DTL. The dead-time values can be updated synchronously to the PWM period by using the [PWM Channel Dead Time Update Register](#) (PWM\_DTUPD<sub>x</sub>).

The dead-time is based on a specific counter which uses the same selected clock that feeds the channel counter of the comparator. Depending on the edge and the configuration of the dead-time, DTOHx and DTOLx are delayed until the counter has reached the value defined by DTH or DTL. An inverted configuration bit (DTHI and DTLI bit in PWM\_CMRx) is provided for each output to invert the dead-time outputs. The following figure shows the waveform of the dead-time generator.

**Figure 40-9.** Complementary Output Waveforms

#### 40.6.2.5.1 PWM Push-Pull Mode

When a PWM channel is configured in Push-Pull mode, the dead-time generator output is managed alternately on each PWM cycle. The polarity of the PWM line during the idle state of the Push-Pull mode is defined by the DPOLI bit in the [PWM Channel Mode Register \(PWM\\_CMRx\)](#). The Push-Pull mode can be enabled separately on each channel by writing a one to bit PPM in the [PWM Channel Mode Register](#).

Figure 40-10. PWM Push-Pull Mode

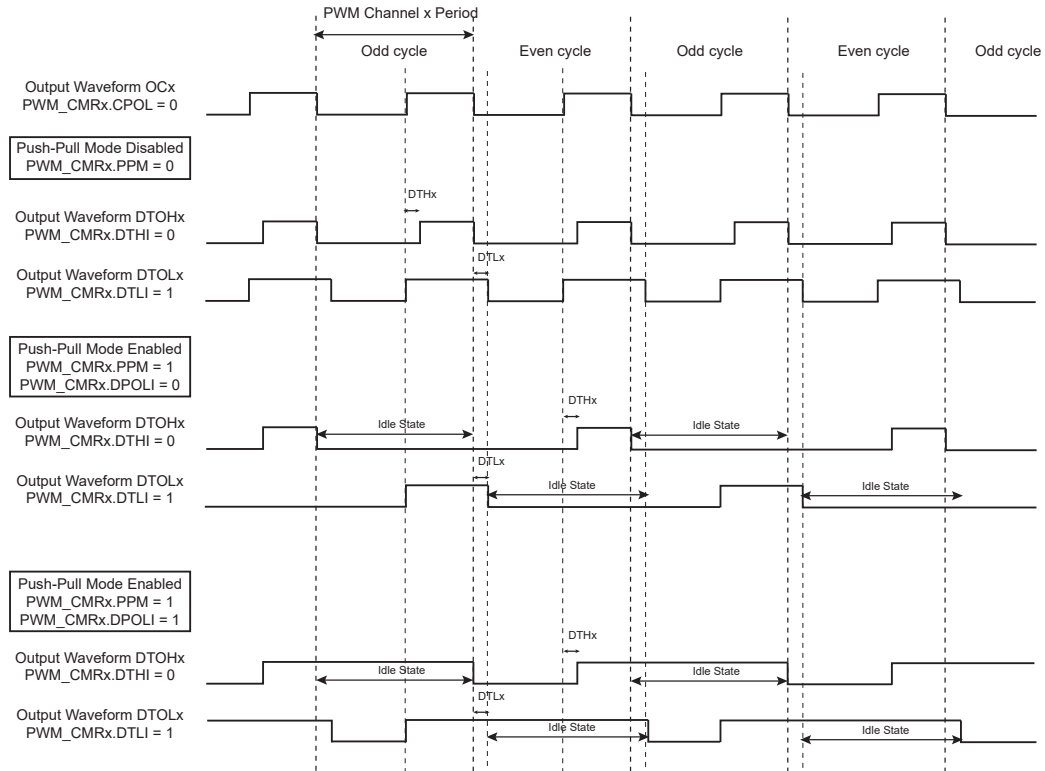


Figure 40-11. PWM Push-Pull Waveforms: Left-Aligned Mode

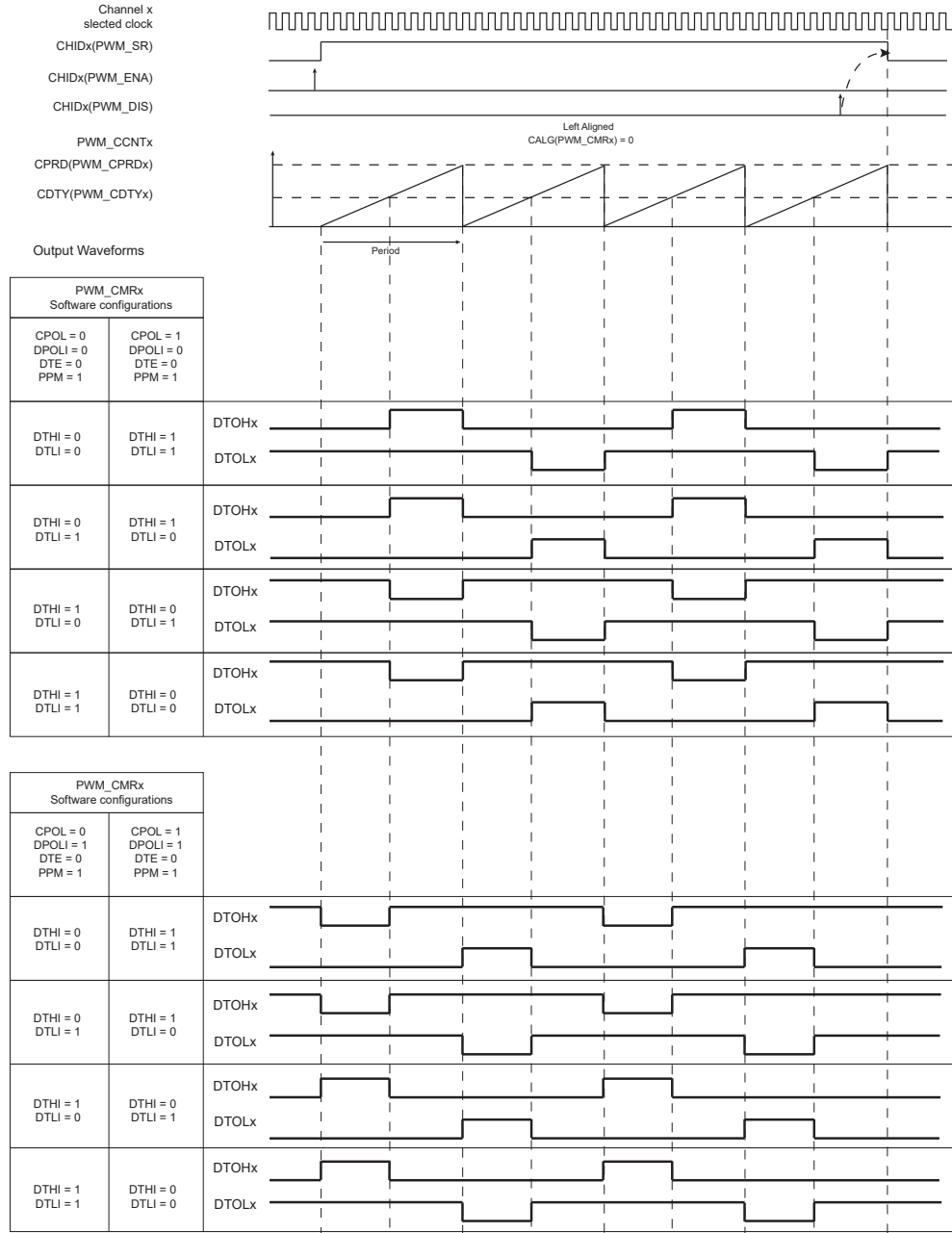
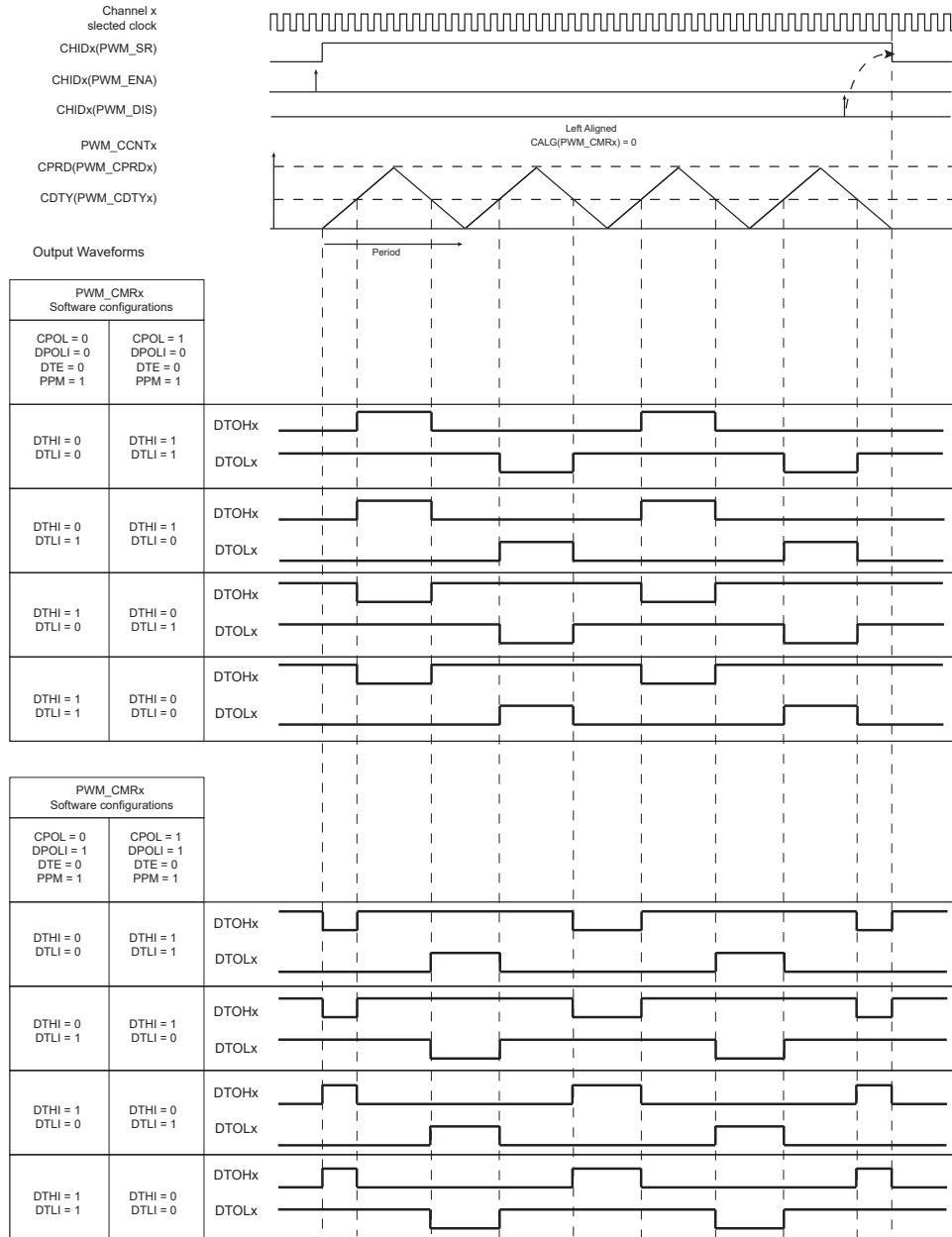
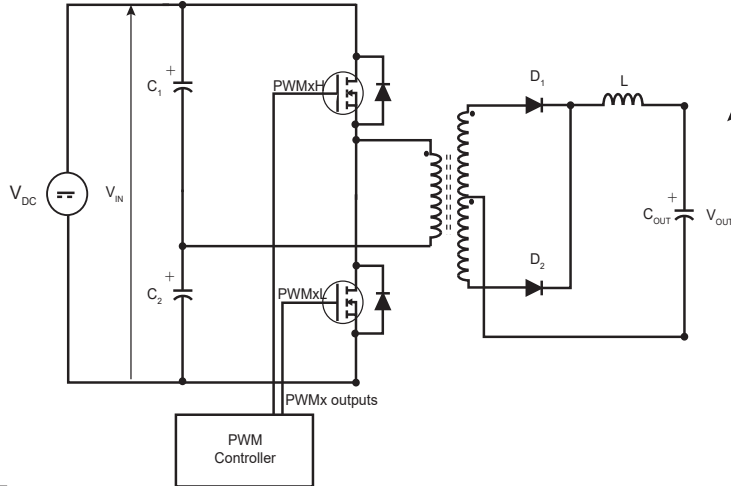


Figure 40-12. PWM Push-Pull Waveforms: Center-Aligned Mode

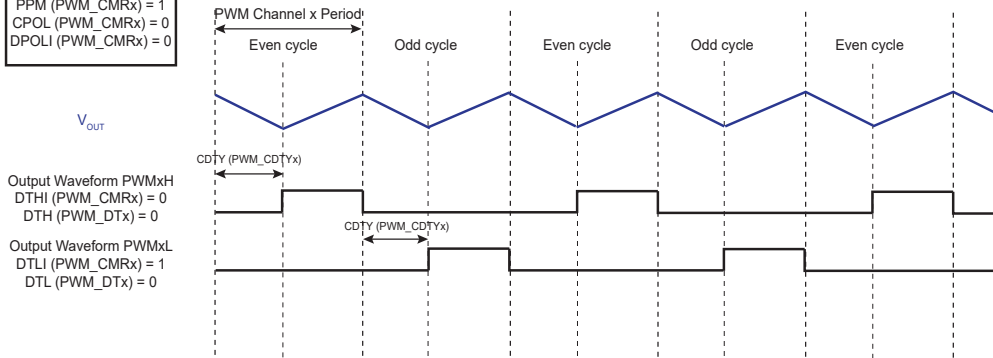


The PWM Push-Pull mode can be useful in transformer-based power converters, such as a half-bridge converter. The Push-Pull mode prevents the transformer core from being saturated by any direct current.

Figure 40-13. Half-Bridge Converter Application: No Feedback Regulation



PWM Configuration Example 1  
 PPM (PWM\_CMRx) = 1  
 CPOL (PWM\_CMRx) = 0  
 DPOLI (PWM\_CMRx) = 0



PWM Configuration Example 2  
 PPM (PWM\_CMRx) = 1  
 CPOL (PWM\_CMRx) = 1  
 DPOLI (PWM\_CMRx) = 1

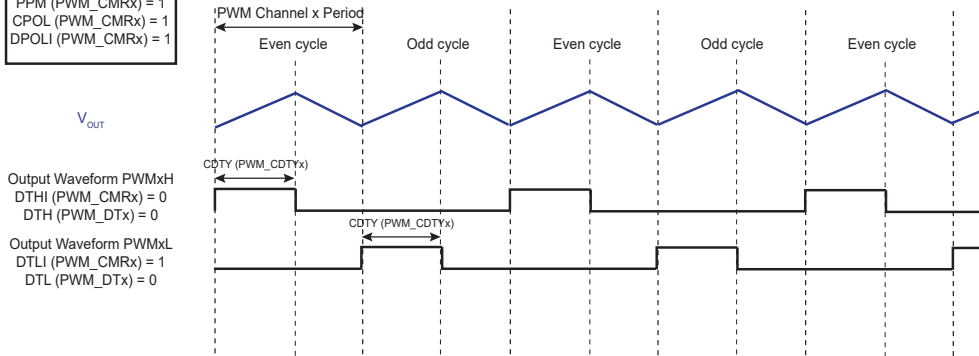
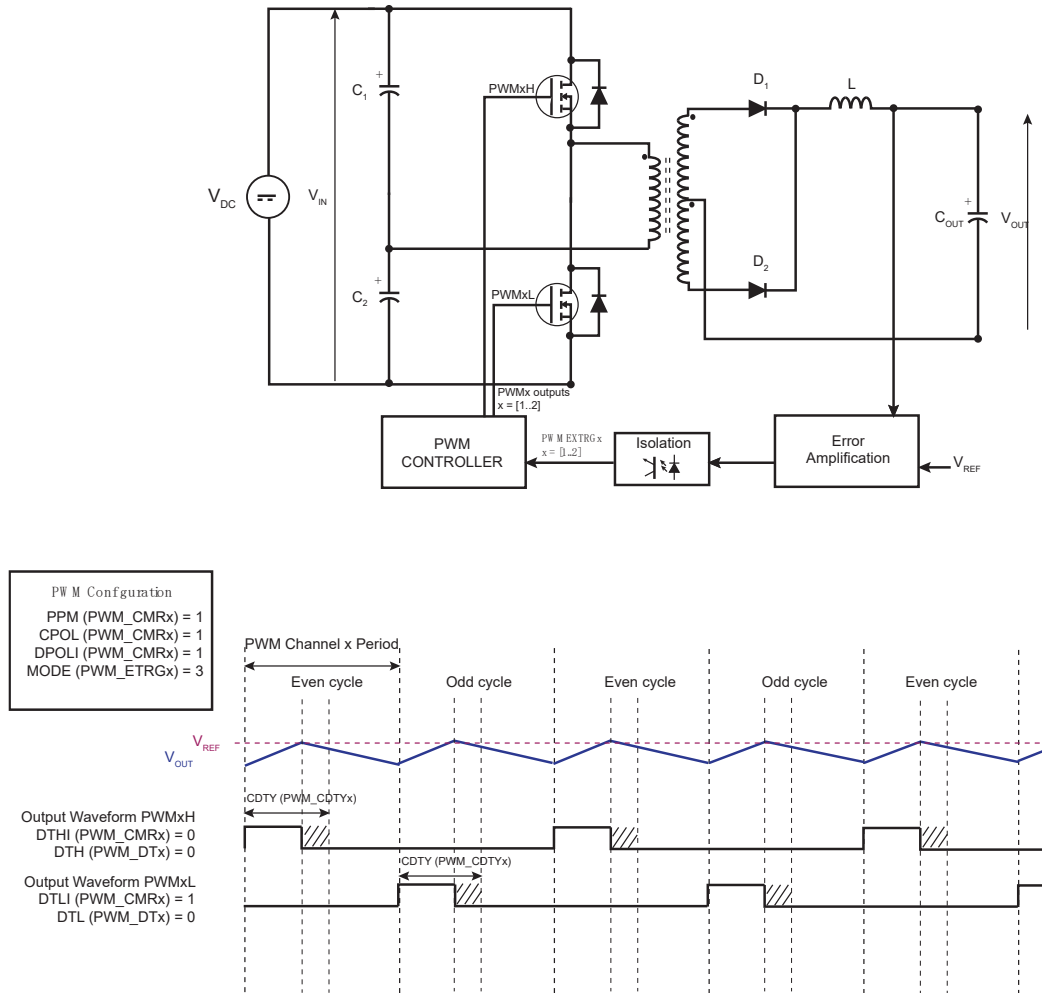




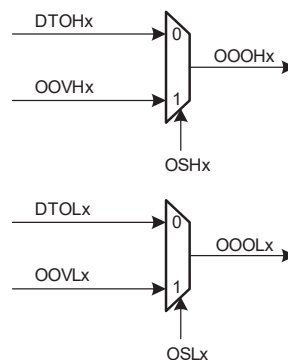
Figure 40-14. Half-Bridge Converter Application: Feedback Regulation



### 40.6.2.6 Output Override

The two complementary outputs DTOHx and DTOLx of the dead-time generator can be forced to a value defined by the software.

Figure 40-15. Override Output Selection



The fields OSHx and OSLx in the [PWM Output Selection Register \(PWM\\_OS\)](#) allow the outputs of the dead-time generator DTOHx and DTOLx to be overridden by the value defined in the fields OOVHx and OOVx in the [PWM Output Override Value Register \(PWM\\_OOV\)](#).

The set registers [PWM Output Selection Set Register](#) (PWM\_OSS) and [PWM Output Selection Set Update Register](#) (PWM\_OSSUPD) enable the override of the outputs of a channel regardless of other channels. In the same way, the clear registers [PWM Output Selection Clear Register](#) (PWM\_OSC) and [PWM Output Selection Clear Update Register](#) (PWM\_OSCUPD) disable the override of the outputs of a channel regardless of other channels.

By using buffer registers PWM\_OSSUPD and PWM\_OSCUPD, the output selection of PWM outputs is done synchronously to the channel counter, at the beginning of the next PWM period.

By using registers PWM\_OSS and PWM\_OSC, the output selection of PWM outputs is done asynchronously to the channel counter, as soon as the register is written.

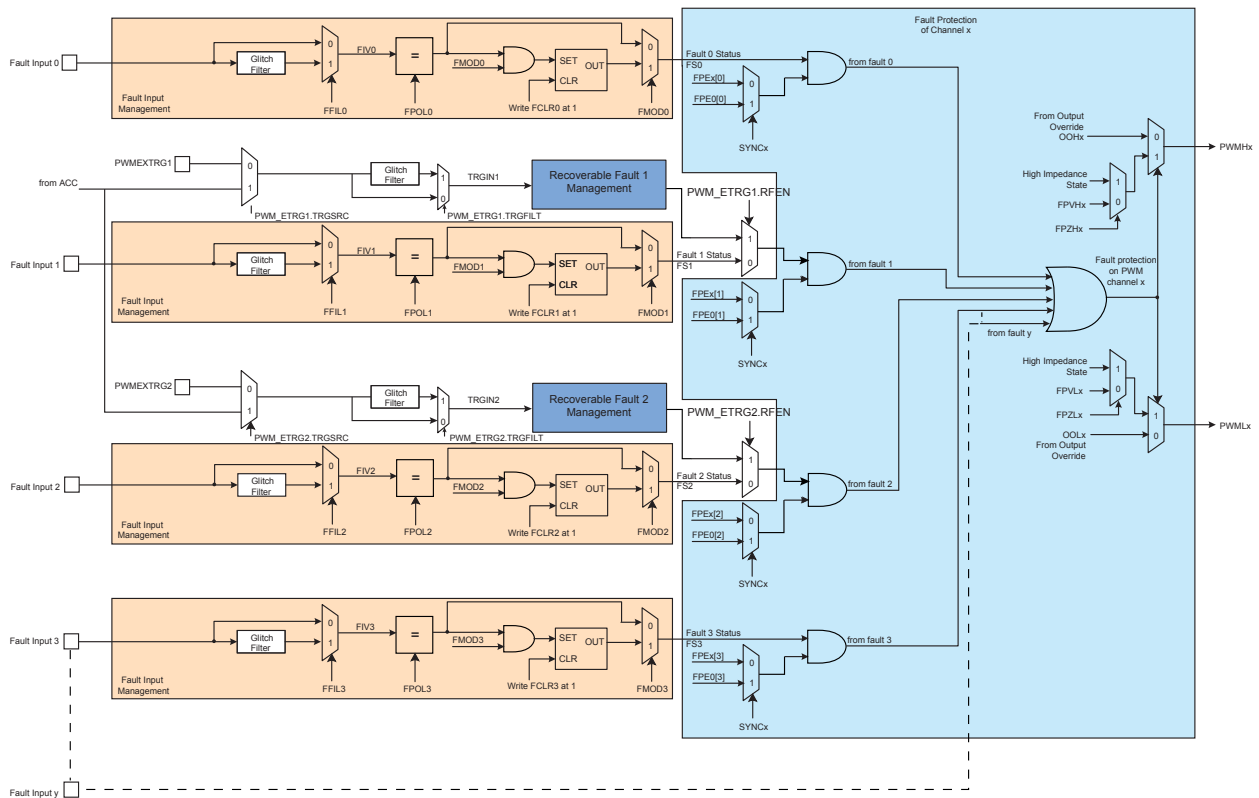
The value of the current output selection can be read in PWM\_OS.

While overriding PWM outputs, the channel counters continue to run, only the PWM outputs are forced to user defined values.

#### 40.6.2.7 Fault Protection

7 inputs provide fault protection which can force any of the PWM output pairs to a programmable value. This mechanism has priority over output overriding.

**Figure 40-16. Fault Protection**



The polarity level of the fault inputs is configured by the FPOL field in the [PWM Fault Mode Register](#) (PWM\_FMR). For fault inputs coming from internal peripherals such as ADC or Timer Counter, the polarity level must be FPOL = 1. For fault inputs coming from external GPIO pins the polarity level depends on the user's implementation.

The configuration of the Fault Activation mode (FMOD field in PWM\_FMR) depends on the peripheral generating the fault. If the corresponding peripheral does not have "Fault Clear" management, then the FMOD configuration to use must be FMOD = 1, to avoid spurious fault

detection. Refer to the corresponding peripheral documentation for details on handling fault generation.

Fault inputs may or may not be glitch-filtered depending on the FFIL field in PWM\_FMR. When the filter is activated, glitches on fault inputs with a width inferior to the PWM peripheral clock period are rejected.

A fault becomes active as soon as its corresponding fault input has a transition to the programmed polarity level. If the corresponding bit FMOD is set to '0' in PWM\_FMR, the fault remains active as long as the fault input is at this polarity level. If the corresponding FMOD field is set to '1', the fault remains active until the fault input is no longer at this polarity level and until it is cleared by writing the corresponding bit FCLR in the [PWM Fault Clear Register](#) (PWM\_FCR). In the [PWM Fault Status Register](#) (PWM\_FSR), the field FIV indicates the current level of the fault inputs and the field FIS indicates whether a fault is currently active.

Each fault can be taken into account or not by the fault protection mechanism in each channel. To be taken into account in the channel x, the fault y must be enabled by the bit FPEx[y] in the PWM Fault Protection Enable registers (PWM\_FPE1). However, synchronous channels (see [Synchronous Channels](#)) do not use their own fault enable bits, but those of the channel 0 (bits FPE0[y]).

The fault protection on a channel is triggered when this channel is enabled and when any one of the faults that are enabled for this channel is active. It can be triggered even if the PWM peripheral clock is not running but only by a fault input that is not glitch-filtered.

When the fault protection is triggered on a channel, the fault protection mechanism resets the counter of this channel and forces the channel outputs to the values defined by the fields FPVHx and FPVLx in the [PWM Fault Protection Value Register 1](#) (PWM\_FPV) and fields FPZHx/FPZLx in the [PWM Fault Protection Value Register 2](#), as shown in the table below. The output forcing is made asynchronously to the channel counter.

**Table 40-3.** Forcing Values of PWM Outputs by Fault Protection

FPZH/Lx	FPVH/Lx	Forcing Value of PWMH/Lx
0	0	0
0	1	1
1	-	High impedance state (Hi-Z)

**CAUTION**

- To prevent any unexpected activation of the status flag FSy in PWM\_FSR, the FMODy bit can be set to '1' only if the FPOLy bit has been previously configured to its final value.
- To prevent any unexpected activation of the Fault Protection on the channel x, the bit FPEx[y] can be set to '1' only if the FPOLy bit has been previously configured to its final value.

If a comparison unit is enabled (see [PWM Comparison Units](#)) and if a fault is triggered in the channel 0, then the comparison cannot match.

As soon as the fault protection is triggered on a channel, an interrupt (different from the interrupt generated at the end of the PWM period) can be generated but only if it is enabled and not masked. The interrupt is reset by reading the interrupt status register, even if the fault which has caused the trigger of the fault protection is kept active.

#### 40.6.2.7.1 Recoverable Fault

The PWM provides a Recoverable Fault mode on fault 1 and 2 (see figure *Fault Protection*).

The recoverable fault signal is an internal signal generated as soon as an external trigger event occurs (see [PWM External Trigger Mode](#)).

When the fault 1 or 2 is defined as a recoverable fault, the corresponding fault input pin is ignored and bits FFIL1/2, FMOD1/2 and FFIL1/2 are not taken into account.

The fault 1 is managed as a recoverable fault by the PWMEXTRG1 input trigger when  $\text{PWM\_ETRG1.RFEN} = 1$ ,  $\text{PWM\_ENA.CHID1} = 1$ , and  $\text{PWM\_ETRG1.TRGMODE} \neq 0$ .

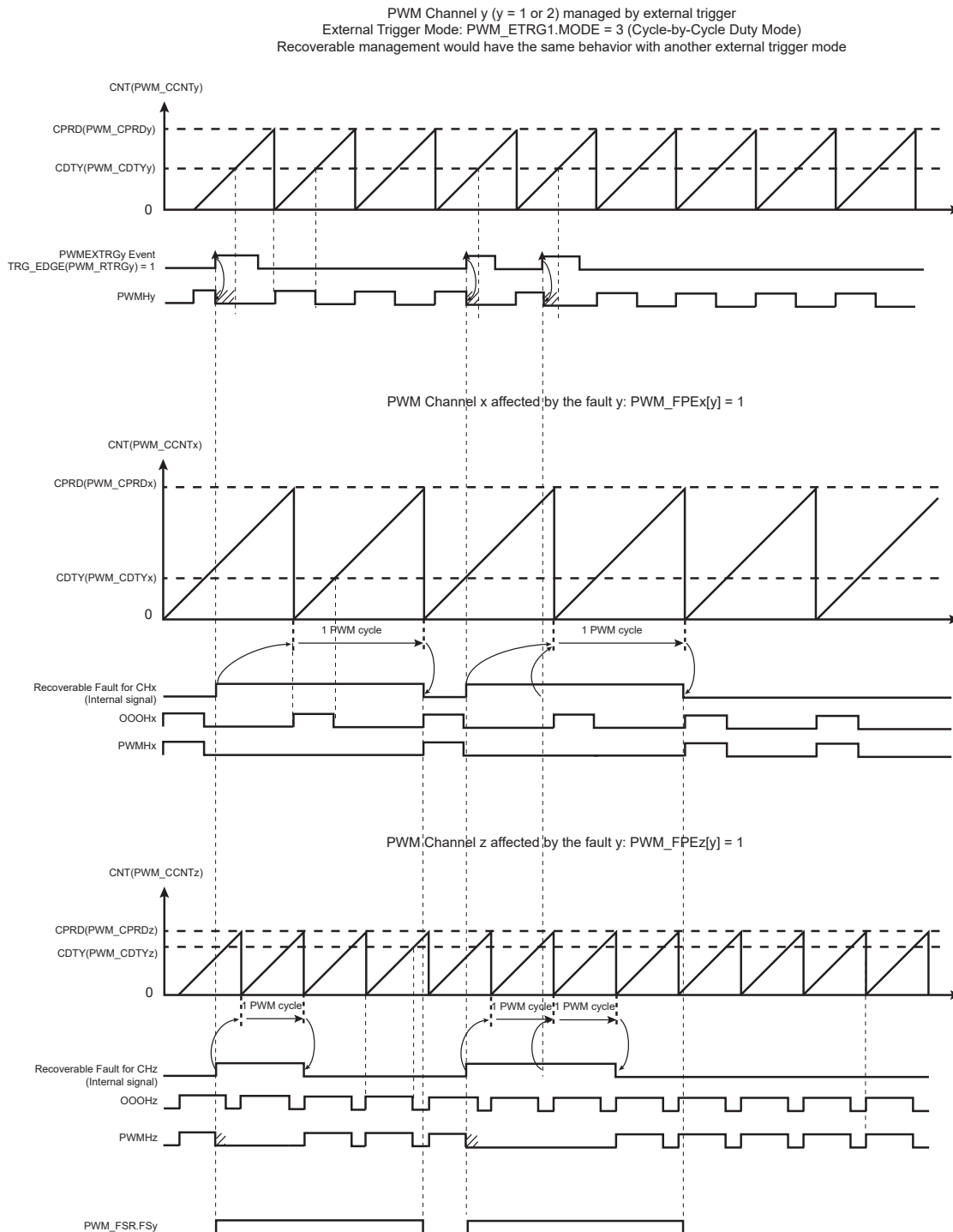
The fault 2 is managed as a recoverable fault by the PWMEXTRG2 input trigger when  $\text{PWM\_ETRG2.RFEN} = 1$ ,  $\text{PWM\_ENA.CHID2} = 1$ , and  $\text{PWM\_ETRG2.TRGMODE} \neq 0$ .

Recoverable fault 1 and 2 can be taken into account by all channels by enabling the bit FPEX[1/2] in the PWM Fault Protection Enable registers (PWM\_FPEX). However the synchronous channels (see [Synchronous Channels](#)) do not use their own fault enable bits, but those of the channel 0 (bits FPE0[1/2]).

When a recoverable fault is triggered (according to the PWM\_ETRGx.TRGMODE setting), the PWM counter of the affected channels is not cleared (unlike in the classic fault protection mechanism) but the channel outputs are forced to the values defined by the fields FPVHx and FPVLx in the [PWM Fault Protection Value Register 1](#) (PWM\_FPV), as per table *Forcing Values of PWM Outputs by Fault Protection*. The output forcing is made asynchronously to the channel counter and lasts from the recoverable fault occurrence to the end of the next PWM cycle (if the recoverable fault is no longer present) (see the figure below).

The recoverable fault does not trigger an interrupt. The Fault Status FSy (with y = 1 or 2) is not reported in the [PWM Fault Status Register](#) when the fault y is a recoverable fault.

Figure 40-17. Recoverable Fault Management



#### 40.6.2.8 Spread Spectrum Counter

The PWM macrocell includes a spread spectrum counter allowing the generation of a constantly varying duty cycle on the output PWM waveform (only for the channel 0). This feature may be useful to minimize electromagnetic interference or to reduce the acoustic noise of a PWM driven motor.

This is achieved by varying the effective period in a range defined by a spread spectrum value which is programmed by the field SPRD in the [PWM Spread Spectrum Register \(PWM\\_SSPR\)](#). The

effective period of the output waveform is the value of the spread spectrum counter added to the programmed waveform period CPRD in the [PWM Channel Period Register](#) (PWM\_CPRD0).

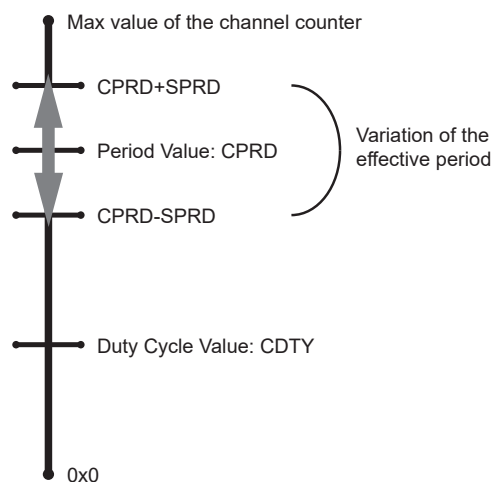
It will cause the effective period to vary from CPRD-SPRD to CPRD+SPRD. This leads to a constantly varying duty cycle on the PWM output waveform because the duty cycle value programmed is unchanged.

The value of the spread spectrum counter can change in two ways depending on the bit SPRDM in PWM\_SSPR.

If SPRDM = 0, the Triangular mode is selected. The spread spectrum counter starts to count from -SPRD when the channel 0 is enabled or after reset and counts upwards at each period of the channel counter. When it reaches SPRD, it restarts to count from -SPRD again.

If SPRDM = 1, the Random mode is selected. A new random value is assigned to the spread spectrum counter at each period of the channel counter. This random value is between -SPRD and +SPRD and is uniformly distributed.

**Figure 40-18.** Spread Spectrum Counter



#### 40.6.2.9 Synchronous Channels

Some channels can be linked together as synchronous channels. They have the same source clock, the same period, the same alignment and are started together. In this way, their counters are synchronized together.

The synchronous channels are defined by the SYNCx bits in the [PWM Sync Channels Mode Register](#) (PWM\_SCM). Only one group of synchronous channels is allowed.

When a channel is defined as a synchronous channel, the channel 0 is also automatically defined as a synchronous channel. This is because the channel 0 counter configuration is used by all the synchronous channels.

If a channel x is defined as a synchronous channel, the fields/bits for the channel 0 are used instead of those of channel x:

- CPRE in PWM\_CMR0 instead of CPRE in PWM\_CMRx (same source clock)
- CPRD in PWM\_CPRD0 instead of CPRD in PWM\_CPRDx (same period)
- CALG in PWM\_CMR0 instead of CALG in PWM\_CMRx (same alignment)

Modifying the fields CPRE, CPRD and CALG of for channels with index greater than 0 has no effect on output waveforms.

Because counters of synchronous channels must start at the same time, they are all enabled together by enabling the channel 0 (by the CHID0 bit in PWM\_ENA register). In the same way, they

are all disabled together by disabling channel 0 (by the CHID0 bit in PWM\_DIS register). However, a synchronous channel x different from channel 0 can be enabled or disabled independently from others (by the CHIDx bit in PWM\_ENA and PWM\_DIS registers).

Defining a channel as a synchronous channel while it is an asynchronous channel (by writing the bit SYNCx to '1' while it was at '0') is allowed only if the channel is disabled at this time (CHIDx = 0 in PWM\_SR). In the same way, defining a channel as an asynchronous channel while it is a synchronous channel (by writing the SYNCx bit to '0' while it was '1') is allowed only if the channel is disabled at this time.

The UPDM field (Update Mode) in the PWM\_SCM register selects one of the three methods to update the registers of the synchronous channels:

- Method 1 (UPDM = 0): The period value, the duty-cycle values and the dead-time values must be written by the processor in their respective update registers (respectively PWM\_CPRDUPDx, PWM\_CDTYUPDx and PWM\_DTUPDx). The update is triggered at the next PWM period as soon as the bit UPDULOCK in the [PWM Sync Channels Update Control Register](#) (PWM\_SCUC) is set to '1'.
- Method 2 (UPDM = 1): The period value, the duty-cycle values, the dead-time values and the update period value must be written by the processor in their respective update registers (respectively PWM\_CPRDUPDx, PWM\_CDTYUPDx and PWM\_DTUPD). The update of the period value and of the dead-time values is triggered at the next PWM period as soon as the bit UPDULOCK in the PWM\_SCUC register is set to '1'. The update of the duty-cycle values and the update period value is triggered automatically after an update period defined by the field UPR in the [PWM Sync Channels Update Period Register](#) (PWM\_SCUP).
- Method 3 (UPDM = 2): Same as Method 2 apart from the fact that the duty-cycle values of ALL synchronous channels are written by the DMA Controller. The user can choose to synchronize the DMA Controller transfer request with a comparison match (see [Section 7.3 "PWM Comparison Units"](#)), by the fields PTRM and PTRCS in the PWM\_SCM register. The DMA destination address must be configured to access only the [PWM DMA Register](#) (PWM\_DMAR). The DMA buffer data structure must consist of sequentially repeated duty cycles. The number of duty cycles in each sequence corresponds to the number of synchronized channels. Duty cycles in each sequence must be ordered from the lowest to the highest channel index. The size of the duty cycle is 16 bits.

**Table 40-4.** Summary of the Update of Registers of Synchronous Channels

Register	UPDM = 0	UPDM = 1	UPDM = 2
Period Value (PWM_CPRDUPDx)	Write by the processor		
	Update is triggered at the next PWM period as soon as the bit UPDULOCK is set to '1'		
Dead-Time Values (PWM_DTUPDx)	Write by the processor		
	Update is triggered at the next PWM period as soon as the bit UPDULOCK is set to '1'		
Duty-Cycle Values (PWM_CDTYUPDx)	Write by the processor	Write by the processor	Write by the DMA Controller
	Update is triggered at the next PWM period as soon as the bit UPDULOCK is set to '1'	Update is triggered at the next PWM period as soon as the update period counter has reached the value UPR	
Update Period Value (PWM_SCUPUPD)	Not applicable	Write by the processor	
	Not applicable	Update is triggered at the next PWM period as soon as the update period counter has reached the value UPR	

#### 40.6.2.9.1 Method 1: Manual write of duty-cycle values and manual trigger of the update

In this mode, the update of the period value, the duty-cycle values and the dead-time values must be done by writing in their respective update registers with the processor (respectively PWM\_CPRDUPDx, PWM\_CDTYUPDx and PWM\_DTUPDx).

To trigger the update, the user must use the bit UPDULOCK in the PWM\_SCUC register which allows to update synchronously (at the same PWM period) the synchronous channels:

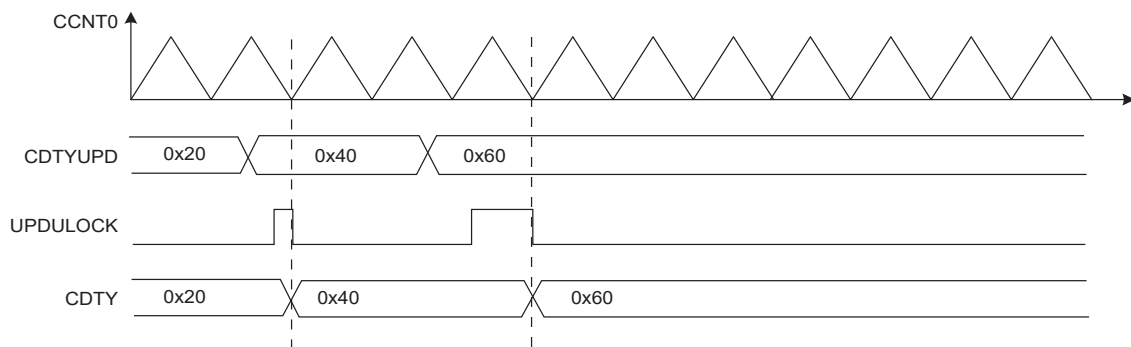
- If the bit UPDULOCK is set to '1', the update is done at the next PWM period of the synchronous channels.
- If the UPDULOCK bit is not set to '1', the update is locked and cannot be performed.

After writing the UPDULOCK bit to '1', it is held at this value until the update occurs, then it is read 0.

Sequence for Method 1:

1. Select the manual write of duty-cycle values and the manual update by setting the UPDM field to '0' in the PWM\_SCM register.
2. Define the synchronous channels by the SYNCx bits in the PWM\_SCM register.
3. Enable the synchronous channels by writing CHID0 in the PWM\_ENA register.
4. If an update of the period value and/or the duty-cycle values and/or the dead-time values is required, write registers that need to be updated (PWM\_CPRDUPDx, PWM\_CDTYUPDx and PWM\_DTUPDx).
5. Set UPDULOCK to '1' in PWM\_SCUC.
6. The update of the registers will occur at the beginning of the next PWM period. When the UPDULOCK bit is reset, go to [Step 4](#). for new values.

**Figure 40-19.** Method 1 (UPDM = 0)



#### 40.6.2.9.2 Method 2: Manual write of duty-cycle values and automatic trigger of the update

In this mode, the update of the period value, the duty-cycle values, the dead-time values and the update period value must be done by writing in their respective update registers with the processor (respectively PWM\_CPRDUPDx, PWM\_CDTYUPDx, PWM\_DTUPDx and PWM\_SCUPUPD).

To trigger the update of the period value and the dead-time values, the user must use the bit UPDULOCK in the PWM\_SCUC register, which updates synchronously (at the same PWM period) the synchronous channels:

- If the bit UPDULOCK is set to '1', the update is done at the next PWM period of the synchronous channels.
- If the UPDULOCK bit is not set to '1', the update is locked and cannot be performed.

After writing the UPDULOCK bit to '1', it is held at this value until the update occurs, then it is read 0.

The update of the duty-cycle values and the update period is triggered automatically after an update period.

To configure the automatic update, the user must define a value for the update period by the UPR field in the PWM\_SCUP register. The PWM controller waits UPR+1 period of synchronous channels before updating automatically the duty values and the update period value.

The status of the duty-cycle value write is reported in the [PWM Interrupt Status Register 2](#) (PWM\_ISR2) by the following flags:



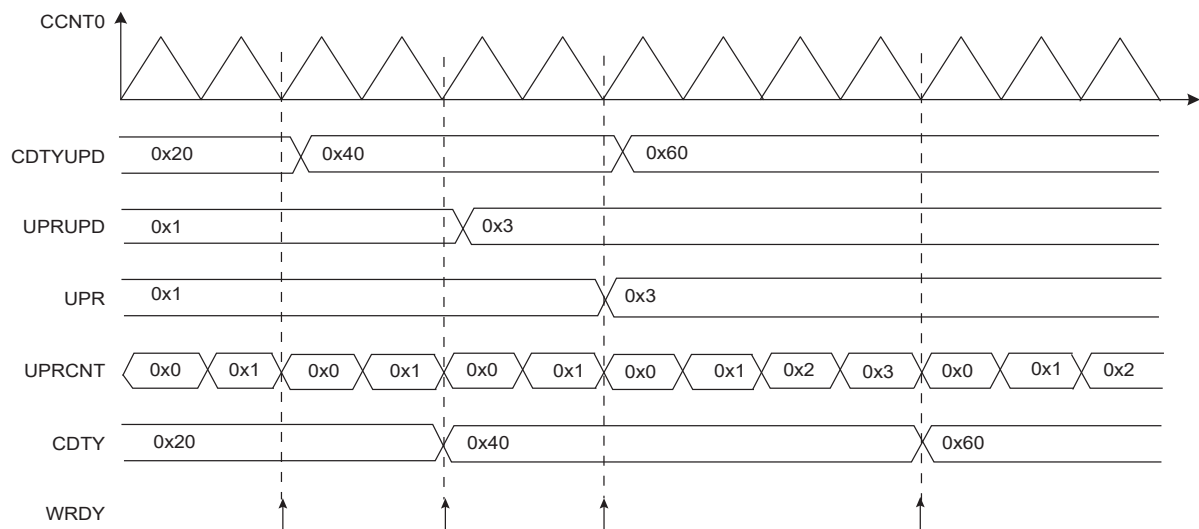
- WRDY: this flag is set to '1' when the PWM Controller is ready to receive new duty-cycle values and a new update period value. It is reset to '0' when the PWM\_ISR2 register is read.

Depending on the interrupt mask in the [PWM Interrupt Mask Register 2 \(PWM\\_IMR2\)](#), an interrupt can be generated by these flags.

Sequence for Method 2:

1. Select the manual write of duty-cycle values and the automatic update by setting the field UPDM to '1' in the PWM\_SCM register
2. Define the synchronous channels by the bits SYNCx in the PWM\_SCM register.
3. Define the update period by the field UPR in the PWM\_SCUP register.
4. Enable the synchronous channels by writing CHID0 in the PWM\_ENA register.
5. If an update of the period value and/or of the dead-time values is required, write registers that need to be updated (PWM\_CPRDUPDx, PWM\_DTUPDx), else go to [Step 8](#).
6. Set UPDULOCK to '1' in PWM\_SCUC.
7. The update of these registers will occur at the beginning of the next PWM period. At this moment the bit UPDULOCK is reset, go to [Step 5](#). for new values.
8. If an update of the duty-cycle values and/or the update period is required, check first that write of new update values is possible by polling the flag WRDY (or by waiting for the corresponding interrupt) in PWM\_ISR2.
9. Write registers that need to be updated (PWM\_CDTYUPDx, PWM\_SCUPUPD).
10. The update of these registers will occur at the next PWM period of the synchronous channels when the Update Period is elapsed. Go to [Step 8](#). for new values.

**Figure 40-20. Method 2 (UPDM = 1)**



#### 40.6.2.9.3 Method 3: Automatic write of duty-cycle values and automatic trigger of the update

In this mode, the update of the duty cycle values is made automatically by the DMA Controller. The update of the period value, the dead-time values and the update period value must be done by writing in their respective update registers with the processor (respectively PWM\_CPRDUPDx, PWM\_DTUPDx and PWM\_SCUPUPD).

To trigger the update of the period value and the dead-time values, the user must use the bit UPDULOCK which allows to update synchronously (at the same PWM period) the synchronous channels:

- If the bit UPDULOCK is set to '1', the update is done at the next PWM period of the synchronous channels.
- If the UPDULOCK bit is not set to '1', the update is locked and cannot be performed.

After writing the UPDULOCK bit to '1', it is held at this value until the update occurs, then it is read 0.

The update of the duty-cycle values and the update period value is triggered automatically after an update period.

To configure the automatic update, the user must define a value for the Update Period by the field UPR in the PWM\_SCUP register. The PWM controller waits UPR+1 periods of synchronous channels before updating automatically the duty values and the update period value.

Using the DMA Controller removes processor overhead by reducing its intervention during the transfer. This significantly reduces the number of clock cycles required for a data transfer, which improves microcontroller performance.

The DMA Controller must write the duty-cycle values in the synchronous channels index order. For example if the channels 0, 1 and 3 are synchronous channels, the DMA Controller must write the duty-cycle of the channel 0 first, then the duty-cycle of the channel 1, and finally the duty-cycle of the channel 3.

The status of the DMA Controller transfer is reported in PWM\_ISR2 by the following flags:

- WRDY: this flag is set to '1' when the PWM Controller is ready to receive new duty-cycle values and a new update period value. It is reset to '0' when PWM\_ISR2 is read. The user can choose to synchronize the WRDY flag and the DMA Controller transfer request with a comparison match (see [PWM Comparison Units](#)), by the fields PTRM and PTRCS in the PWM\_SCM register.
- UNRE: this flag is set to '1' when the update period defined by the UPR field has elapsed while the whole data has not been written by the Peripheral DMA Controller. It is reset to '0' when PWM\_ISR2 is read.

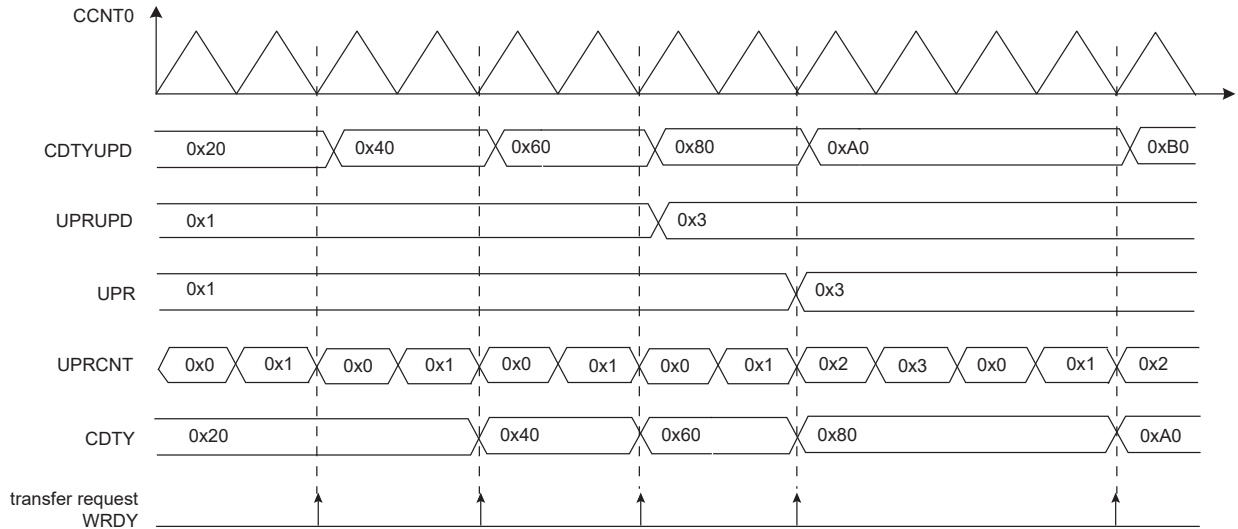
Depending on the interrupt mask in PWM\_IMR2, an interrupt can be generated by these flags.

Sequence for Method 3:

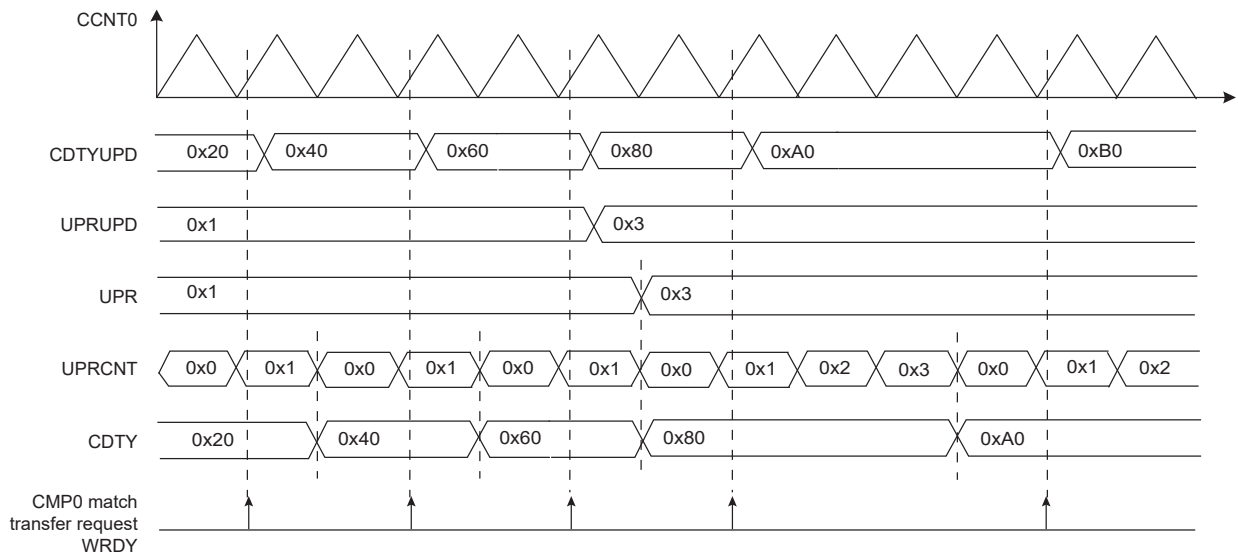
1. Select the automatic write of duty-cycle values and automatic update by setting the field UPDM to 2 in the PWM\_SCM register.
2. Define the synchronous channels by the bits SYNCx in the PWM\_SCM register.
3. Define the update period by the field UPR in the PWM\_SCUP register.
4. Define when the WRDY flag and the corresponding DMA Controller transfer request must be set in the update period by the PTRM bit and the PTRCS field in the PWM\_SCM register (at the end of the update period or when a comparison matches).
5. Define the DMA Controller transfer settings for the duty-cycle values and enable it in the DMA Controller registers
6. Enable the synchronous channels by writing CHID0 in the PWM\_ENA register.
7. If an update of the period value and/or of the dead-time values is required, write registers that need to be updated (PWM\_CPRDUPDx, PWM\_DTUPDx), else go to [Step 10](#).
8. Set UPDULOCK to '1' in PWM\_SCUC.
9. The update of these registers will occur at the beginning of the next PWM period. At this moment the bit UPDULOCK is reset, go to [Step 7](#). for new values.
10. If an update of the update period value is required, check first that write of a new update value is possible by polling the flag WRDY (or by waiting for the corresponding interrupt) in PWM\_ISR2, else go to [Step 14](#).
11. Write the register that needs to be updated (PWM\_SCUPUPD).

12. The update of this register will occur at the next PWM period of the synchronous channels when the Update Period is elapsed. Go to Step 10 for new values.
13. Wait for the DMA status flag indicating that the buffer transfer is complete. If the transfer has ended, define a new DMA transfer for new duty-cycle values. Go to [Step 5](#).

**Figure 40-21.** Method 3 (UPDM = 2 and PTRM = 0)



**Figure 40-22.** Method 3 (UPDM = 2 and PTRM = 1 and PTRCS = 0)



#### 40.6.2.10 Update Time for Double-Buffering Registers

All channels integrate a double-buffering system in order to prevent an unexpected output waveform while modifying the period, the spread spectrum value, the polarity, the duty-cycle, the dead-times, the output override, and the synchronous channels update period.

This double-buffering system comprises the following update registers:

- [PWM Sync Channels Update Period Update Register](#)
- [PWM Output Selection Set Update Register](#)
- [PWM Output Selection Clear Update Register](#)

- [PWM Spread Spectrum Update Register](#)
- [PWM Channel Duty Cycle Update Register](#)
- [PWM Channel Period Update Register](#)
- [PWM Channel Dead Time Update Register](#)
- [PWM Channel Mode Update Register](#)

When one of these update registers is written to, the write is stored, but the values are updated only at the next PWM period border. In Left-aligned mode (CALG = 0), the update occurs when the channel counter reaches the period value CPRD. In Center-aligned mode, the update occurs when the channel counter value is decremented and reaches the 0 value.

In Center-aligned mode, it is possible to trigger the update of the polarity and the duty-cycle at the next half period border. This mode concerns the following update registers:

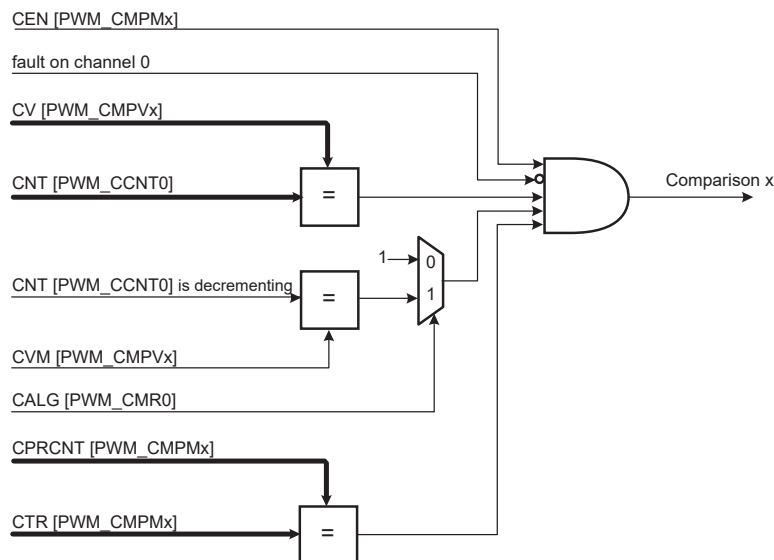
- [PWM Channel Duty Cycle Update Register](#)
- [PWM Channel Mode Update Register](#)

The update occurs at the first half period following the write of the update register (either when the channel counter value is incrementing and reaches the period value CPRD, or when the channel counter value is decrementing and reaches the 0 value). To activate this mode, the user must write a one to the bit UPDS in the [PWM Channel Mode Register](#).

### 40.6.3 PWM Comparison Units

The PWM provides 8 independent comparison units able to compare a programmed value with the current value of the channel 0 counter (which is the channel counter of all synchronous channels, “Synchronous Channels”). These comparisons are intended to generate pulses on the event lines (used to synchronize ADC, see [PWM Event Lines](#)), to generate software interrupts and to trigger DMA Controller transfer requests for the synchronous channels (see [Method 3: Automatic write of duty-cycle values and automatic trigger of the update](#)).

**Figure 40-23.** Comparison Unit Block Diagram



The comparison x matches when it is enabled by the bit CEN in the [PWM Comparison x Mode Register](#) (PWM\_CMPMx for the comparison x) and when the counter of the channel 0 reaches the comparison value defined by the field CV in [PWM Comparison x Value Register](#) (PWM\_CMPVx for the comparison x). If the counter of the channel 0 is center-aligned (CALG = 1 in [PWM Channel](#)

[Mode Register](#)), the bit CVM in PWM\_CMPVx defines if the comparison is made when the counter is counting up or counting down (in Left-alignment mode CALG = 0, this bit is useless).

If a fault is active on the channel 0, the comparison is disabled and cannot match (see [Fault Protection](#)).

The user can define the periodicity of the comparison x by the fields CTR and CPR in PWM\_CMPMx. The comparison is performed periodically once every CPR+1 periods of the counter of the channel 0, when the value of the comparison period counter CPRCNT in PWM\_CMPMx reaches the value defined by CTR. CPR is the maximum value of the comparison period counter CPRCNT. If CPR = CTR = 0, the comparison is performed at each period of the counter of the channel 0.

The comparison x configuration can be modified while the channel 0 is enabled by using the [PWM Comparison x Mode Update Register](#) (PWM\_CMPMUPDx registers for the comparison x). In the same way, the comparison x value can be modified while the channel 0 is enabled by using the [PWM Comparison x Value Update Register](#) (PWM\_CMPVUPDx registers for the comparison x).

The update of the comparison x configuration and the comparison x value is triggered periodically after the comparison x update period. It is defined by the field CUPR in PWM\_CMPMx. The comparison unit has an update period counter independent from the period counter to trigger this update. When the value of the comparison update period counter CUPRCNT (in PWM\_CMPMx) reaches the value defined by CUPR, the update is triggered. The comparison x update period CUPR itself can be updated while the channel 0 is enabled by using the PWM\_CMPMUPDx register.

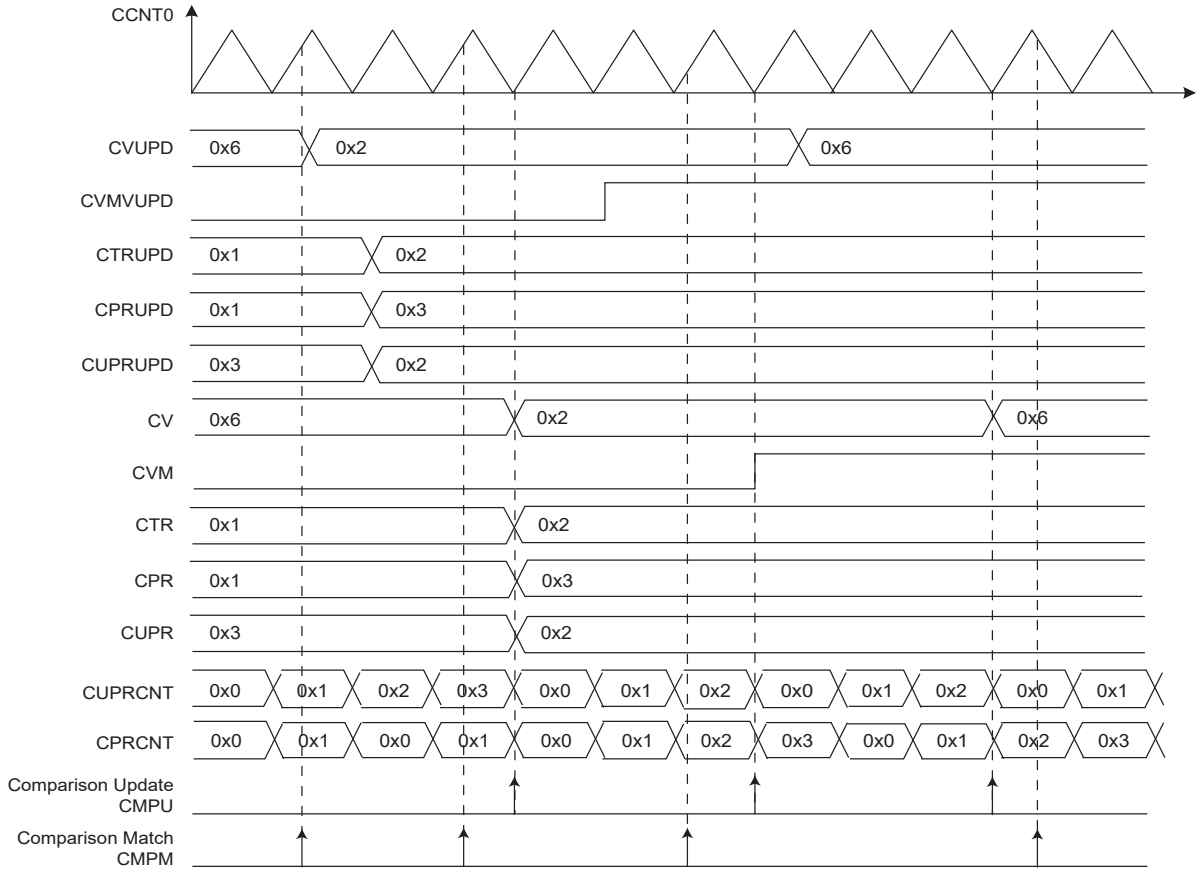


The write of PWM\_CMPVUPDx must be followed by a write of PWM\_CMPMUPDx.

---

The comparison match and the comparison update can be source of an interrupt, but only if it is enabled and not masked. These interrupts can be enabled by the [PWM Interrupt Enable Register 2](#) and disabled by the [PWM Interrupt Disable Register 2](#). The comparison match interrupt and the comparison update interrupt are reset by reading the [PWM Interrupt Status Register 2](#).

Figure 40-24. Comparison Waveform



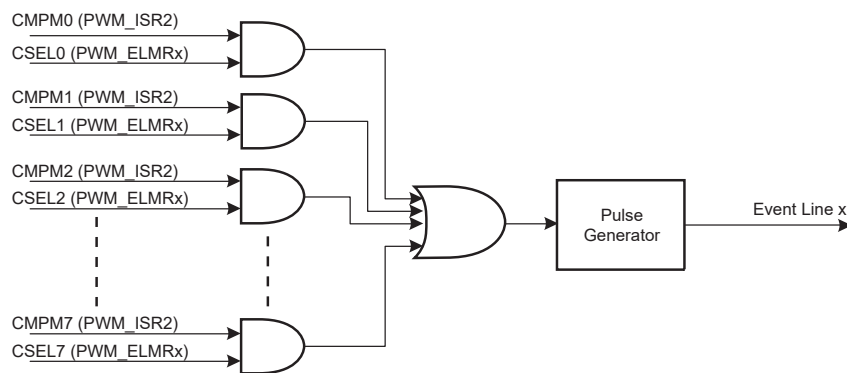
### 40.6.4 PWM Event Lines

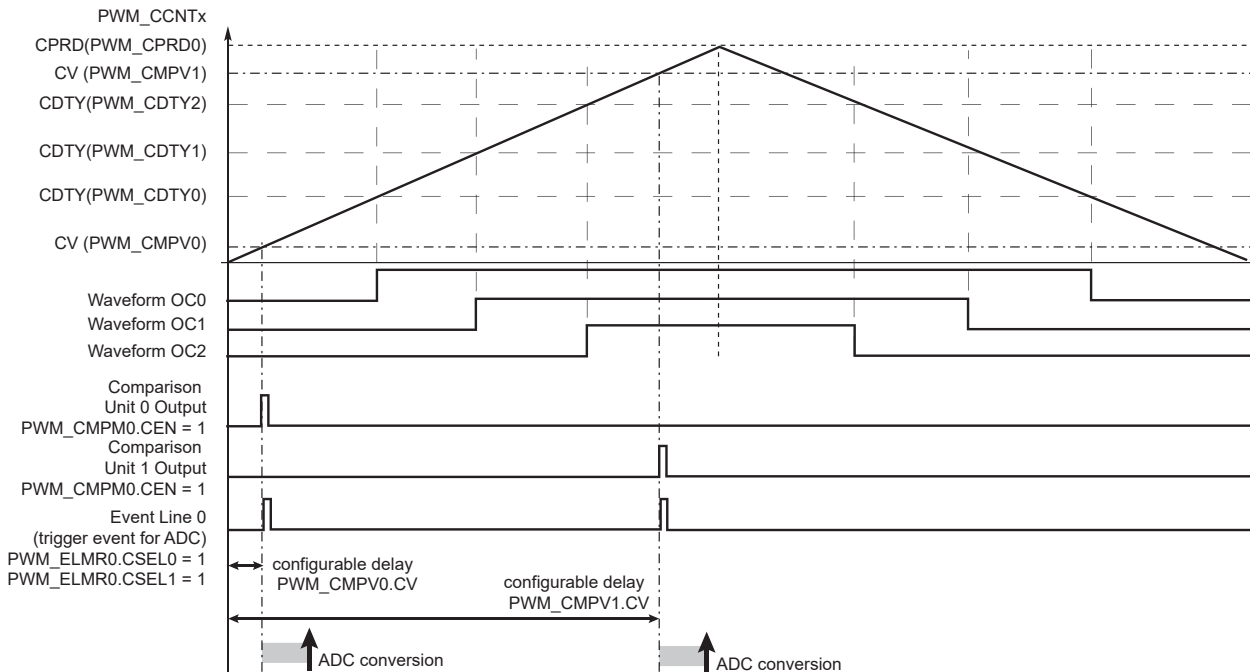
The PWM provides 2 independent event lines intended to trigger actions in other peripherals (e.g., for the Analog-to-Digital Converter (ADC)).

A pulse (one cycle of the peripheral clock) is generated on an event line, when at least one of the selected comparisons is matching. The comparisons can be selected or unselected independently by the CSEL bits in the [PWM Event Line x Register](#) (PWM\_ELMRx for the Event Line x).

An example of event generation is provided in the figure [Event Line Generation Waveform \(Example\)](#).

Figure 40-25. Event Line Block Diagram



**Figure 40-26.** Event Line Generation Waveform (Example)

#### 40.6.5 PWM External Trigger Mode

The PWM channels 1 and 2 can be configured to use an external trigger for generating specific PWM signals. The external trigger source can be selected through the bit TRGSRC of the [PWM External Trigger Register](#) (see the table below).

**Table 40-5.** External Event Source Selection

Channel	Trigger Source Selection	Trigger Source
1	PWM_ETRG1.TRGSRC = 0	From PWMEXTRG1 input
	PWM_ETRG1.TRGSRC = 1	From Analog Comparator Controller
2	PWM_ETRG2.TRGSRC = 0	From PWMEXTRG2 input
	PWM_ETRG2.TRGSRC = 1	From Analog Comparator Controller

Each external trigger source can be filtered by writing a one to the TRGFILT bit in the corresponding [PWM External Trigger Register](#) (PWM\_ETRGx).

Each time an external trigger event is detected, the corresponding PWM channel counter value is stored in the MAXCNT field of the PWM\_ETRGx register if it is greater than the previously stored value. Reading the PWM\_ETRGx register will clear the MAXCNT value.

Three different modes are available for channels 1 and 2 depending on the value of the TRGMODE field of the PWM\_ETRGx register:

- TRGMODE = 1: External PWM Reset Mode
- TRGMODE = 2: External PWM Start Mode
- TRGMODE = 3: Cycle-By-Cycle Duty Mode

See the following sections.

This feature is disabled when TRGMODE = 0.

This feature should only be enabled if the corresponding channel is left-aligned (CALG = 0 in [PWM Channel Mode Register](#) of channel 1 or 2) and not managed as a synchronous channel (SYNCx = 0 in

[PWM Sync Channels Mode Register](#) where  $x = 1$  or  $2$ ). Programming the channel to be center-aligned or synchronous while TRGMODE is not 0 could lead to unexpected behavior.

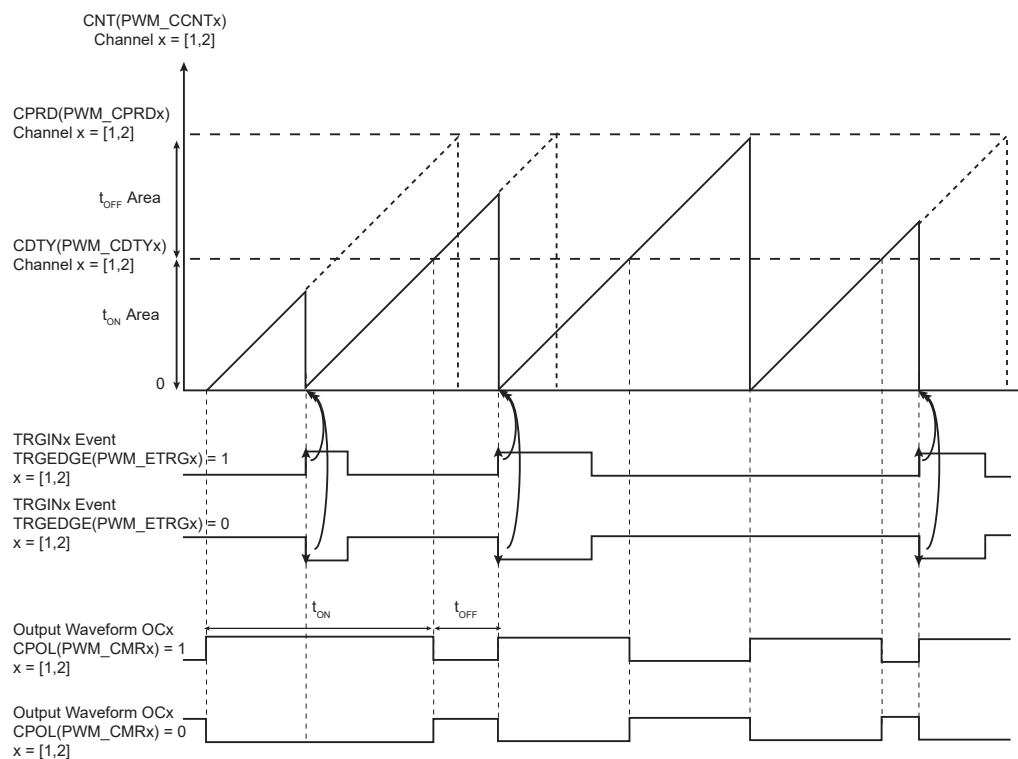
#### 40.6.5.1 External PWM Reset Mode

External PWM Reset mode is selected by programming TRGMODE = 1 in the PWM\_ETRGx register.

In this mode, when an edge is detected on the PWMEPTRGx input, the internal PWM counter is cleared and a new PWM cycle is restarted. The edge polarity can be selected by programming the TRGEDGE bit in the PWM\_ETRGx register. If no trigger event is detected when the internal channel counter has reached the CPRD value in the [PWM Channel Period Register](#), the internal counter is cleared and a new PWM cycle starts.

Note that this mode does not ensure a constant  $t_{ON}$  or  $t_{OFF}$  time.

**Figure 40-27.** External PWM Reset Mode



##### 40.6.5.1.1 Application Example

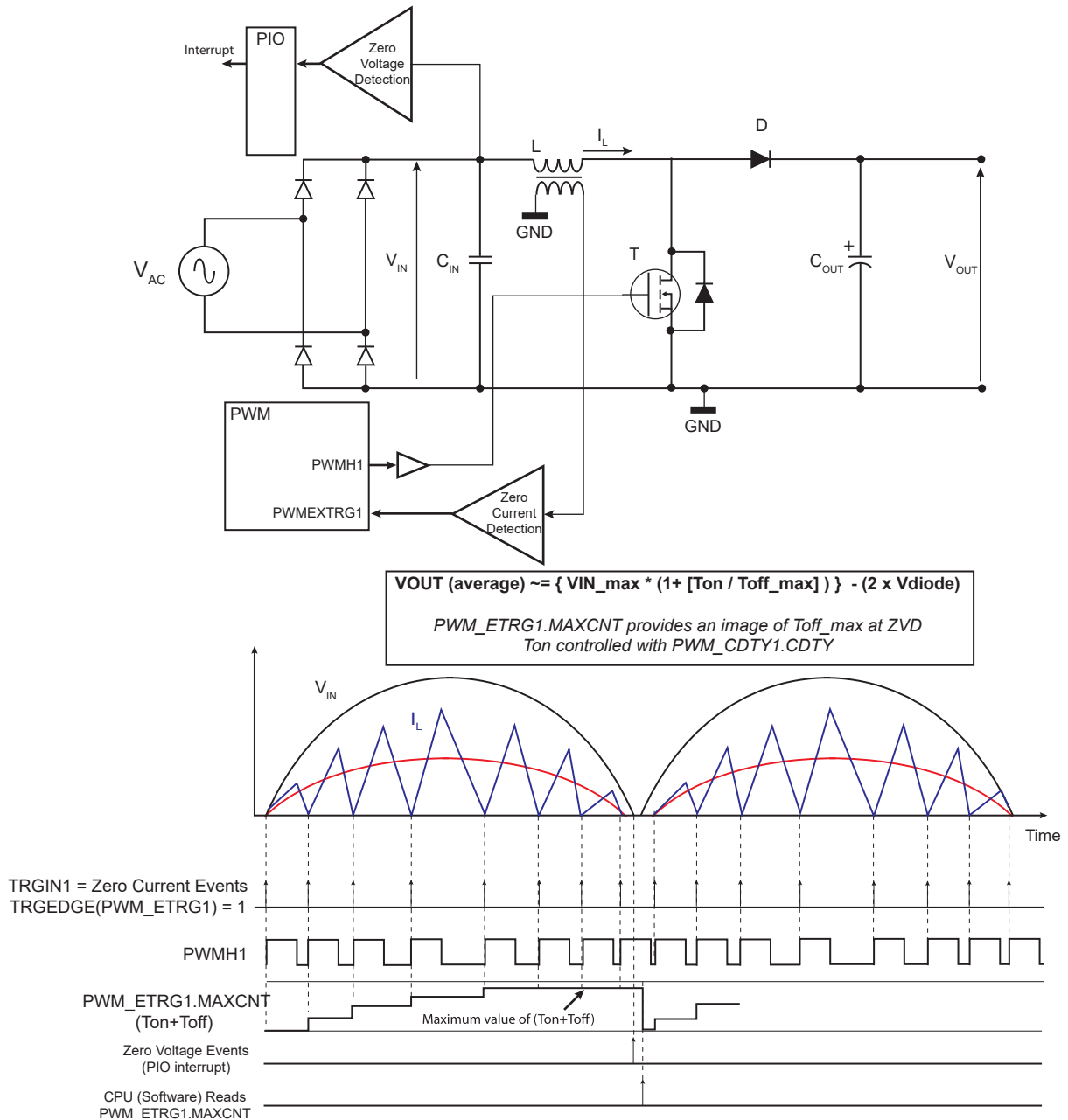
The external PWM Reset mode can be used in power factor correction applications.

In the example below, the external trigger input is the PWMEPTRG1 (therefore the PWM channel used for regulation is the channel 1). The PWM channel 1 period (CPRD in the [PWM Channel Period Register](#) of the channel 1) must be programmed so that the TRGIN1 event always triggers before the PWM channel 1 period elapses.

In the figure below, an external circuit (not shown) is required to sense the inductor current  $I_L$ . The internal PWM counter of the channel 1 is cleared when the inductor current falls below a specific threshold ( $I_{REF}$ ). This starts a new PWM period and increases the inductor current.



Figure 40-28. External PWM Reset Mode: Power Factor Correction Application



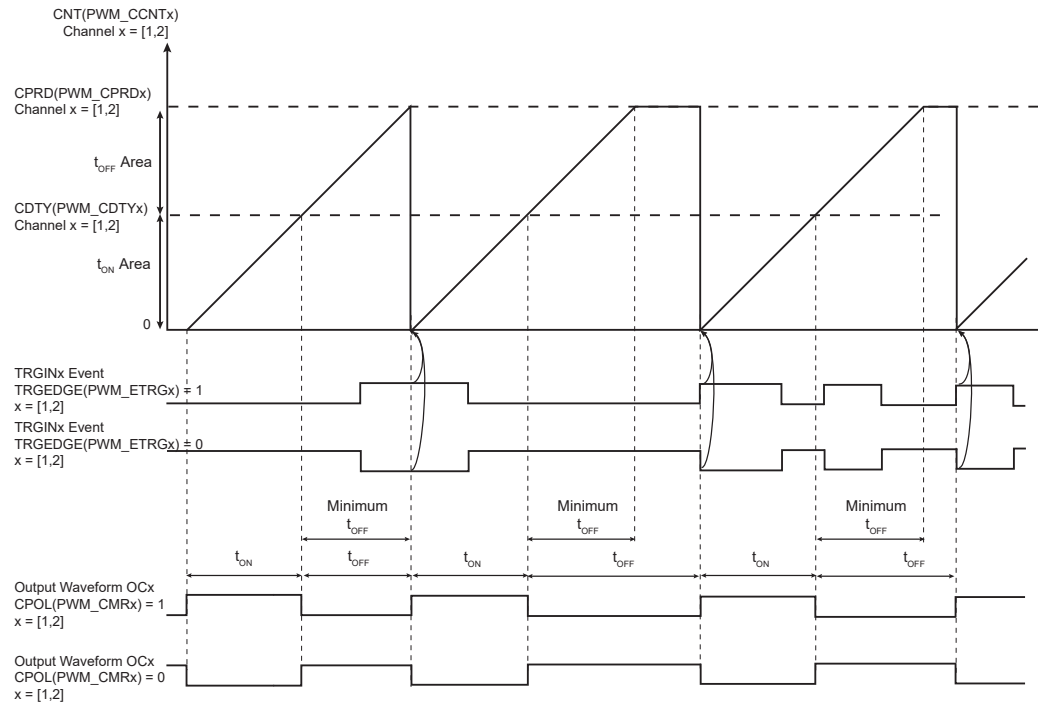
#### 40.6.5.2 External PWM Start Mode

External PWM Start mode is selected by programming TRGMODE = 2 in the PWM\_ETRGx register.

In this mode, the internal PWM counter can only be reset once it has reached the CPRD value in the [PWM Channel Period Register](#) and when the correct level is detected on the corresponding external trigger input. Both conditions have to be met to start a new PWM period. The active detection level is defined by the bit TRGEDGE of the PWM\_ETRGx register.

Note that this mode ensures a constant  $t_{ON}$  time and a minimum  $t_{OFF}$  time.

Figure 40-29. External PWM Start Mode



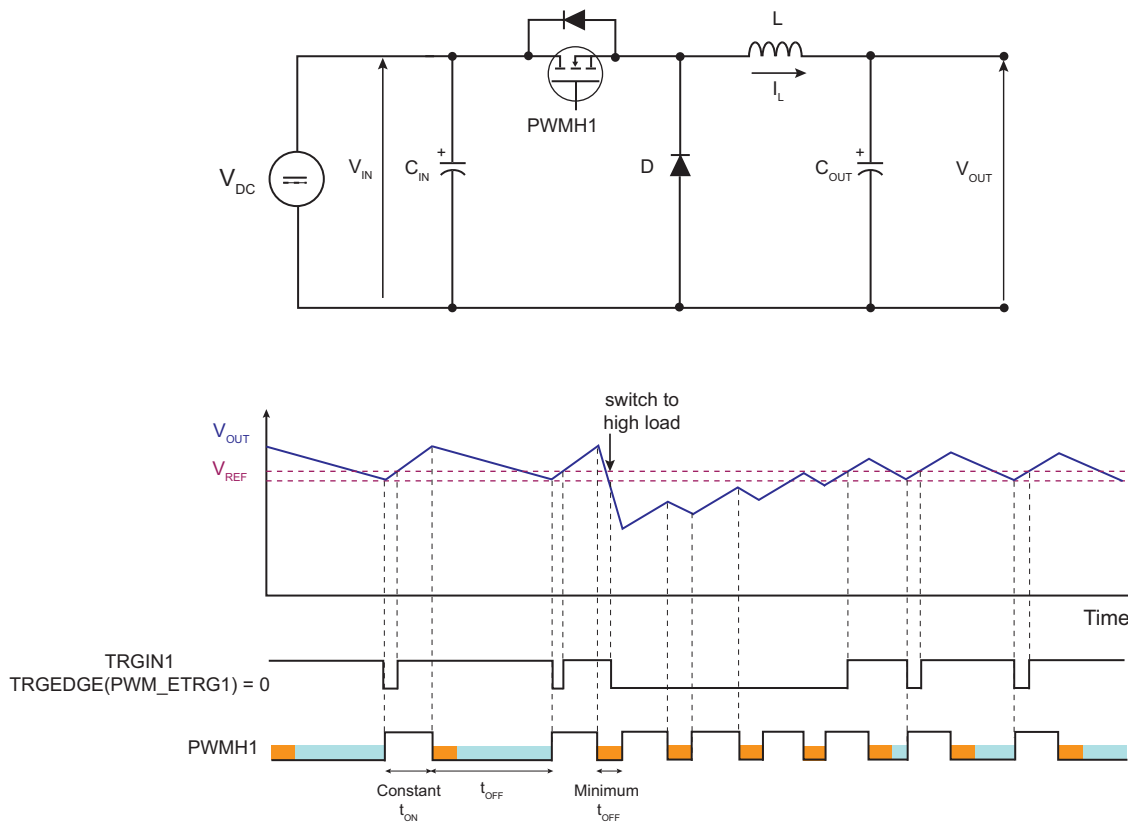
#### 40.6.5.2.1 Application Example

The external PWM Start mode generates a modulated frequency PWM signal with a constant active level duration ( $t_{ON}$ ) and a minimum inactive level duration (minimum  $t_{OFF}$ ).

The  $t_{ON}$  time is defined by the CDTY value in the [PWM Channel Duty Cycle Register](#). The minimum  $t_{OFF}$  time is defined by  $CDTY - CPRD$  ([PWM Channel Period Register](#)). This mode can be useful in Buck DC/DC Converter applications.

When the output voltage  $V_{OUT}$  is above a specific threshold ( $V_{ref}$ ), the PWM inactive level is maintained as long as  $V_{OUT}$  remains above this threshold. If  $V_{OUT}$  is below this specific threshold, this mode ensures a minimum  $t_{OFF}$  time required for MOSFET driving (see the figure below).

Figure 40-30. External PWM Start Mode: Buck DC/DC Converter



### 40.6.5.3 Cycle-By-Cycle Duty Mode

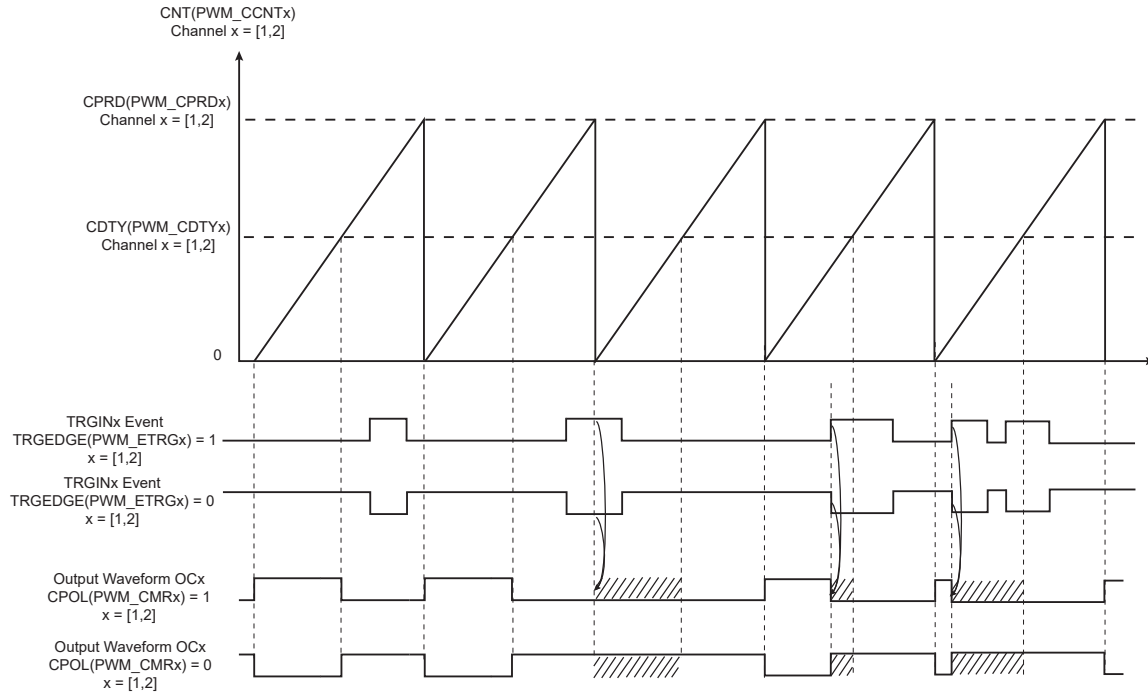
Cycle-by-cycle duty mode is selected by programming  $TRGMODE = 3$  in  $PWM\_ETRGx$ .

In this mode, the PWM frequency is constant and is defined by the  $CPRD$  value in the [PWM Channel Period Register](#).

An external trigger event has no effect on the PWM output if it occurs while the internal PWM counter value is above the  $CDTY$  value of the [PWM Channel Duty Cycle Register](#).

If the internal PWM counter value is below the value of  $CDTY$  of the [PWM Channel Duty Cycle Register](#), an external trigger event makes the PWM output inactive.

The external trigger event can be detected on rising or falling edge according to the  $TRGEDGE$  bit in  $PWM\_ETRGx$ .

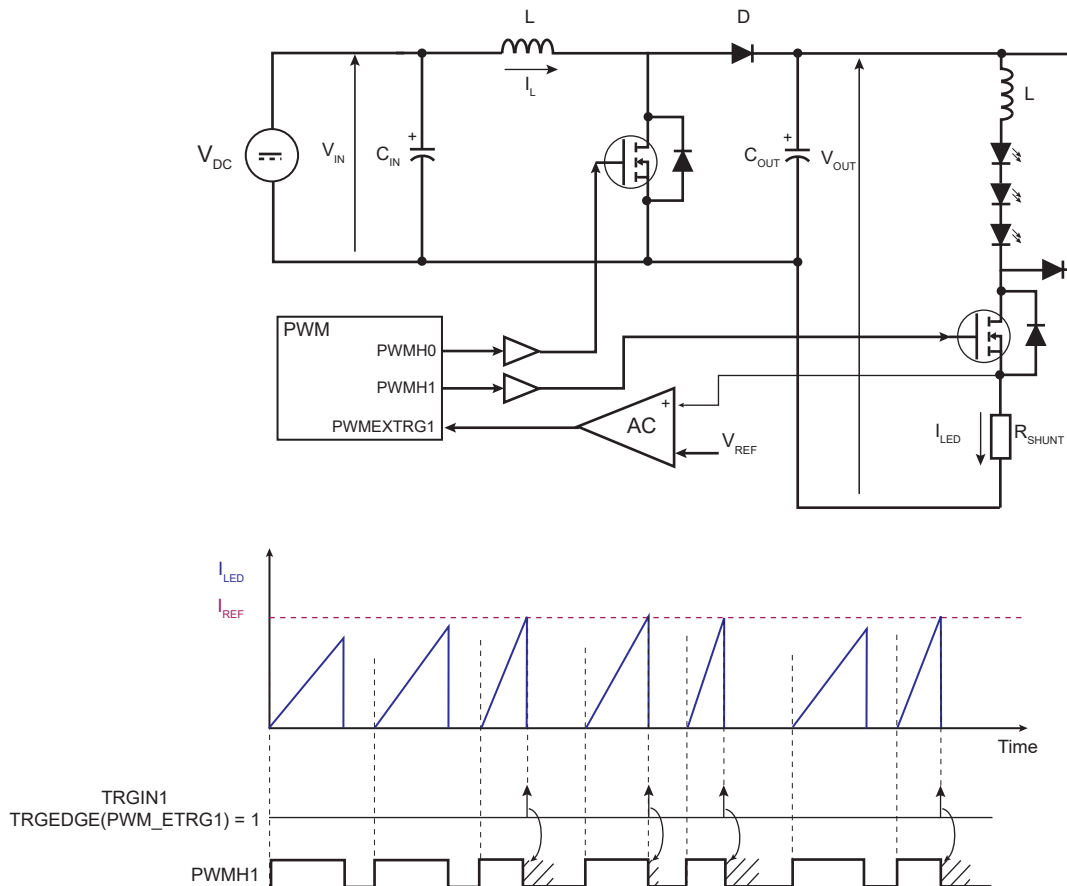
**Figure 40-31. Cycle-By-Cycle Duty Mode**

#### 40.6.5.3.1 Application Example

The figure below illustrates an application example of the Cycle-by-cycle Duty mode.

In an LED string control circuit, Cycle-by-cycle Duty mode can be used to automatically limit the current in the LED string.

Figure 40-32. Cycle-By-Cycle Duty Mode: LED String Control



#### 40.6.5.4 Leading-Edge Blanking (LEB)

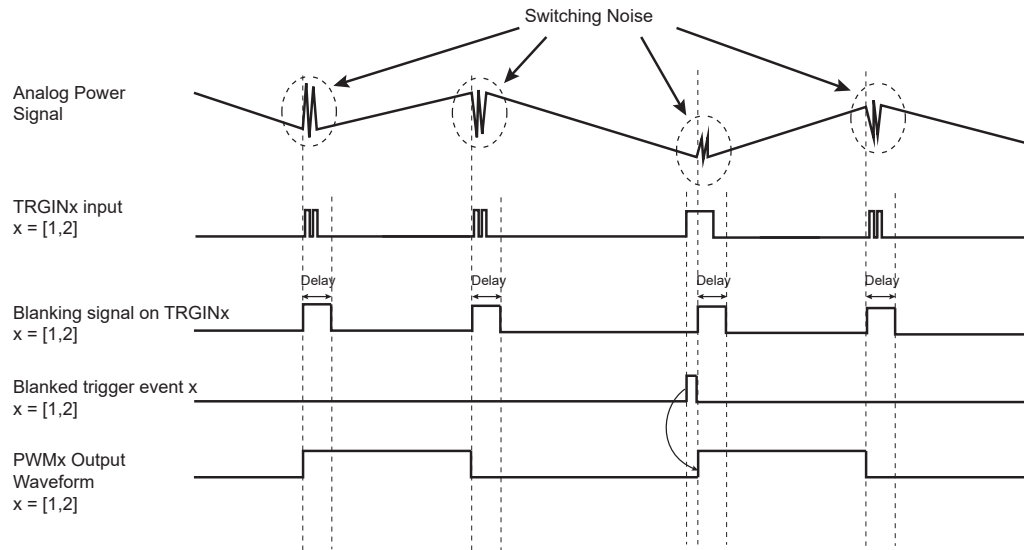
PWM channels 1 and 2 support leading-edge blanking. Leading-edge blanking masks the external trigger input when a transient occurs on the corresponding PWM output. It masks potential spurious external events due to power transistor switching.

The blanking delay on each external trigger input is configured by programming the  $LEBDELAYx$  in the [PWM Leading-Edge Blanking Register](#).

The LEB can be enabled on both the rising and the falling edges for the PWMH and PWML outputs through the bits  $PWMLFEN$ ,  $PWMLREN$ ,  $PWMHFEN$ ,  $PWMHREN$ .

Any event on the  $PWMEXTRGx$  input which occurs during the blanking time is ignored.

Figure 40-33. Leading-Edge Blanking



## 40.6.6 PWM Controller Operations

### 40.6.6.1 Initialization

Before enabling the channels, they must be configured by the software application as described below:

- Unlock User Interface by writing the WPCMD field in PWM\_WPCR.
- Configuration of the clock generator (DIVA, PREA, DIVB, PREB in the PWM\_CLK register if required).
- Selection of the clock for each channel (CPRE field in PWM\_CMRx)
- Configuration of the waveform alignment for each channel (CALG field in PWM\_CMRx)
- Selection of the counter event selection (if CALG = 1) for each channel (CES field in PWM\_CMRx)
- Configuration of the output waveform polarity for each channel (CPOL bit in PWM\_CMRx)
- Configuration of the period for each channel (CPRD in the PWM\_CPRDx register). Writing in PWM\_CPRDx register is possible while the channel is disabled. After validation of the channel, the user must use PWM\_CPRDUPDx register to update PWM\_CPRDx as explained below.
- Configuration of the duty-cycle for each channel (CDTY in the PWM\_CDTYx register). Writing in PWM\_CDTYx register is possible while the channel is disabled. After validation of the channel, the user must use PWM\_CDTYUPDx register to update PWM\_CDTYx as explained below.
- Configuration of the dead-time generator for each channel (DTH and DTL in PWM\_DTx) if enabled (DTE bit in PWM\_CMRx). Writing in the PWM\_DTx register is possible while the channel is disabled. After validation of the channel, the user must use PWM\_DTUPDx register to update PWM\_DTx
- Selection of the synchronous channels (SYNCx in the PWM\_SCM register)
- Selection of the moment when the WRDY flag and the corresponding DMA Controller transfer request are set (PTRM and PTRCS in the PWM\_SCM register)
- Configuration of the Update mode (UPDM in PWM\_SCM register)
- Configuration of the update period (UPR in PWM\_SCUP register) if needed
- Configuration of the comparisons (PWM\_CMPVx and PWM\_CMPMx)
- Configuration of the event lines (PWM\_ELMRx)
- Configuration of the fault inputs polarity (FPOL in PWM\_FMR)

- Configuration of the fault protection (FMOD and FFIL in PWM\_FMR, PWM\_FPV and PWM\_FPE1)
- Enable of the interrupts (writing CHIDx and FCHIDx in PWM\_IER1, and writing WRDY, UNRE, CMPMx and CMPUx in PWM\_IER2)
- Enable of the PWM channels (writing CHIDx in the PWM\_ENA register)

#### 40.6.6.2 Source Clock Selection Criteria

The large number of source clocks can make selection difficult. The relationship between the value in the [PWM Channel Period Register](#) (PWM\_CPRDx) and the [PWM Channel Duty Cycle Register](#) (PWM\_CDTYx) helps the user select the appropriate clock. The event number written in the Period Register gives the PWM accuracy. The Duty-Cycle quantum cannot be lower than 1/CPRDx value. The higher the value of PWM\_CPRDx, the greater the PWM accuracy.

For example, if the user sets 15 (in decimal) in PWM\_CPRDx, the user is able to set a value from between 1 up to 14 in PWM\_CDTYx. The resulting duty-cycle quantum cannot be lower than 1/15 of the PWM period.

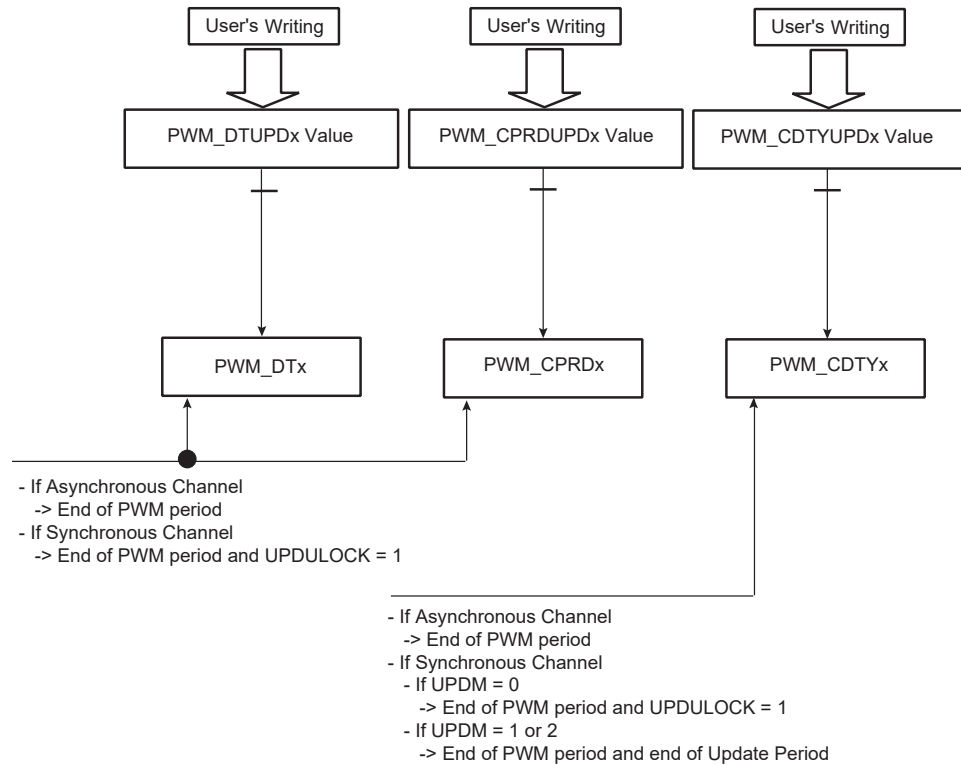
#### 40.6.6.3 Changing the Duty-Cycle, the Period and the Dead-Times

It is possible to modulate the output waveform duty-cycle, period and dead-times.

To prevent unexpected output waveform, the user must use the [PWM Channel Duty Cycle Update Register](#) (PWM\_CDTYUPDx), the [PWM Channel Period Update Register](#) (PWM\_CPRDUPDx) and the [PWM Channel Dead Time Update Register](#) (PWM\_DTUPDx) to change waveform parameters while the channel is still enabled.

- If the channel is an asynchronous channel (SYNCx = 0 in [PWM Sync Channels Mode Register](#) (PWM\_SCM)), these registers hold the new period, duty-cycle and dead-times values until the end of the current PWM period and update the values for the next period.
- If the channel is a synchronous channel and update method 0 is selected (SYNCx = 1 and UPDM = 0 in PWM\_SCM register), these registers hold the new period, duty-cycle and dead-times values until the bit UPDULOCK is written at '1' (in [PWM Sync Channels Update Control Register](#) (PWM\_SCUC)) and the end of the current PWM period, then update the values for the next period.
- If the channel is a synchronous channel and update method 1 or 2 is selected (SYNCx = 1 and UPDM = 1 or 2 in PWM\_SCM register):
  - registers PWM\_CPRDUPDx and PWM\_DTUPDx hold the new period and dead-times values until the bit UPDULOCK is written at '1' (in PWM\_SCUC) and the end of the current PWM period, then update the values for the next period.
  - register PWM\_CDTYUPDx holds the new duty-cycle value until the end of the update period of synchronous channels (when UPRCNT is equal to UPR in [PWM Sync Channels Update Period Register](#) (PWM\_SCUP)) and the end of the current PWM period, then updates the value for the next period.

**Note:** If the update registers PWM\_CDTYUPDx, PWM\_CPRDUPDx and PWM\_DTUPDx are written several times between two updates, only the last written value is taken into account.

**Figure 40-34.** Synchronized Period, Duty-Cycle and Dead-Time Update

#### 40.6.6.4 Changing the Update Period of Synchronous Channels

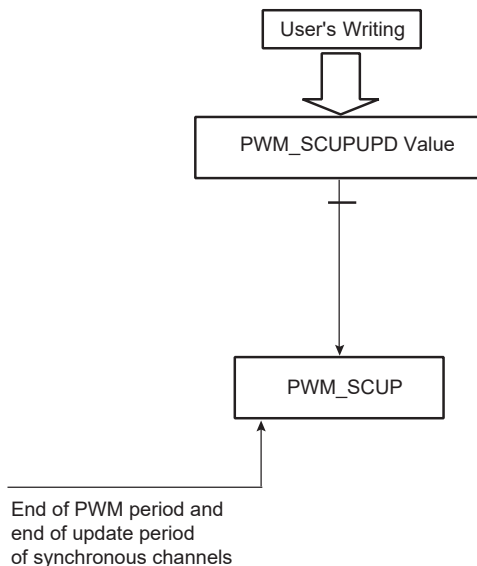
It is possible to change the update period of synchronous channels while they are enabled. See [Method 2: Manual write of duty-cycle values and automatic trigger of the update](#) and [Method 3: Automatic write of duty-cycle values and automatic trigger of the update](#).

To prevent an unexpected update of the synchronous channels registers, the user must use the [PWM Sync Channels Update Period Update Register \(PWM\\_SCUPUPD\)](#) to change the update period of synchronous channels while they are still enabled. This register holds the new value until the end of the update period of synchronous channels (when UPRCNT is equal to UPR in PWM\_SCUP) and the end of the current PWM period, then updates the value for the next period.

#### Notes:

1. If the update register PWM\_SCUPUPD is written several times between two updates, only the last written value is taken into account.
2. Changing the update period does make sense only if there is one or more synchronous channels and if the update method 1 or 2 is selected (UPDM = 1 or 2 in [PWM Sync Channels Mode Register](#)).



**Figure 40-35.** Synchronized Update of Update Period Value of Synchronous Channels

#### 40.6.6.5 Changing the Comparison Value and the Comparison Configuration

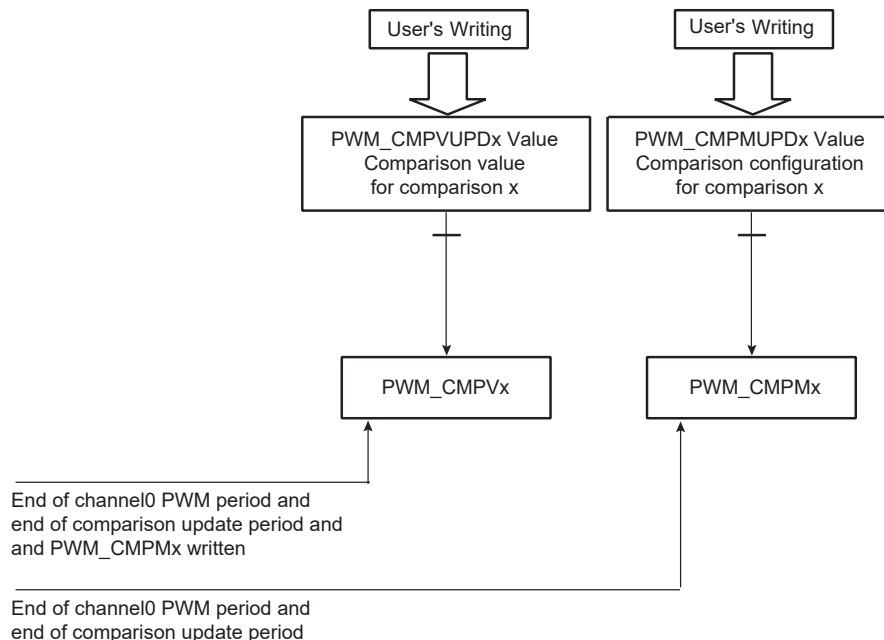
It is possible to change the comparison values and the comparison configurations while the channel 0 is enabled (see [PWM Comparison Units](#)).

To prevent unexpected comparison match, the user must use the [PWM Comparison x Value Update Register](#) (PWM\_CMPVUPDx) and the [PWM Comparison x Mode Update Register](#) (PWM\_CMPMUPDx) to change, respectively, the comparison values and the comparison configurations while the channel 0 is still enabled. These registers hold the new values until the end of the comparison update period (when CUPRCNT is equal to CUPR in [PWM Comparison x Mode Register](#) (PWM\_CMPMx) and the end of the current PWM period, then update the values for the next period.



The write of the register PWM\_CMPVUPDx must be followed by a write of the register PWM\_CMPMUPDx.

**Note:** If the update registers PWM\_CMPVUPDx and PWM\_CMPMUPDx are written several times between two updates, only the last written value are taken into account.

**Figure 40-36.** Synchronized Update of Comparison Values and Configurations

#### 40.6.6.6 Interrupt Sources

Depending on the interrupt mask in PWM\_IMR1 and PWM\_IMR2, an interrupt can be generated at the end of the corresponding channel period (CHIDx in the PWM Interrupt Status Register 1 (PWM\_ISR1)), after a fault event (FCHIDx in PWM\_ISR1), after a comparison match (CMPMx in PWM\_ISR2), after a comparison update (CMPUx in PWM\_ISR2) or according to the Transfer mode of the synchronous channels (WRDY and UNRE in PWM\_ISR2).

If the interrupt is generated by the flags CHIDx or FCHIDx, the interrupt remains active until a read operation in PWM\_ISR1 occurs.

If the interrupt is generated by the flags WRDY or UNRE or CMPMx or CMPUx, the interrupt remains active until a read operation in PWM\_ISR2 occurs.

**A channel interrupt is enabled by setting the corresponding bit in PWM\_IER1 and PWM\_IER2. A channel interrupt is disabled by setting the corresponding bit in PWM\_IDR1 and PWM\_IDR2.**

#### 40.6.7 Register Write Protection

To prevent any single software error that may corrupt PWM behavior, the registers listed below can be write-protected by writing the field WPCMD in the [PWM Write Protection Control Register](#) (PWM\_WPCR). They are divided into six groups:

- Register group 0:
  - [PWM Clock Register](#)
- Register group 1:
  - [PWM Disable Register](#)
  - [PWM Interrupt Enable Register 1](#)
  - [PWM Interrupt Disable Register 1](#)
  - [PWM Interrupt Enable Register 2](#)
  - [PWM Interrupt Disable Register 2](#)
- Register group 2:
  - [PWM Sync Channels Mode Register](#)

- PWM Channel Mode Register
- PWM Stepper Motor Mode Register
- PWM Fault Protection Value Register 2
- PWM Leading-Edge Blanking Register
- PWM Channel Mode Update Register
- Register group 3:
  - PWM Spread Spectrum Register
  - PWM Spread Spectrum Update Register
  - PWM Channel Period Register
  - PWM Channel Period Update Register
- Register group 4:
  - PWM Channel Dead Time Register
  - PWM Channel Dead Time Update Register
- Register group 5:
  - PWM Fault Mode Register
  - PWM Fault Protection Value Register 1

There are two types of write protection:

- SW write protection—can be enabled or disabled by software
- HW write protection—can be enabled by software but only disabled by a hardware reset of the PWM controller

Both types of write protection can be applied independently to a particular register group by means of the WPCMD and WPRGx fields in PWM\_WPCR. If at least one type of write protection is active, the register group is write-protected. The value of field WPCMD defines the action to be performed:

- 0: Disables SW write protection of the register groups of which the bit WPRGx is at '1'
- 1: Enables SW write protection of the register groups of which the bit WPRGx is at '1'
- 2: Enables HW write protection of the register groups of which the bit WPRGx is at '1'

At any time, the user can determine whether SW or HW write protection is active in a particular register group by the fields WPSWS and WPHWS in the [PWM Write Protection Status Register](#) (PWM\_WPSR).

If a write access to a write-protected register is detected, the WPVS flag in PWM\_WPSR is set and the field WPVSRC indicates the register in which the write access has been attempted.

The WPVS and WPVSRC fields are automatically cleared after reading PWM\_WPSR.

## 40.7 Register Summary

Offset	Name	Bit Pos.	7	6	5	4	3	2	1	0	
0x00	PWM_CLK	7:0	DIVA[7:0]								
		15:8							PREA[3:0]		
		23:16	DIVB[7:0]								
		31:24							PREB[3:0]		
0x04	PWM_ENA	7:0					CHID3	CHID2	CHID1	CHID0	
		15:8									
		23:16									
		31:24									
0x08	PWM_DIS	7:0					CHID3	CHID2	CHID1	CHID0	
		15:8									
		23:16									
		31:24									
0x0C	PWM_SR	7:0					CHID3	CHID2	CHID1	CHID0	
		15:8									
		23:16									
		31:24									
0x10	PWM_IER1	7:0					CHID3	CHID2	CHID1	CHID0	
		15:8									
		23:16					FCHID3	FCHID2	FCHID1	FCHID0	
		31:24									
0x14	PWM_IDR1	7:0					CHID3	CHID2	CHID1	CHID0	
		15:8									
		23:16					FCHID3	FCHID2	FCHID1	FCHID0	
		31:24									
0x18	PWM_IMR1	7:0					CHID3	CHID2	CHID1	CHID0	
		15:8									
		23:16					FCHID3	FCHID2	FCHID1	FCHID0	
		31:24									
0x1C	PWM_ISR1	7:0					CHID3	CHID2	CHID1	CHID0	
		15:8									
		23:16					FCHID3	FCHID2	FCHID1	FCHID0	
		31:24									
0x20	PWM_SCM	7:0					SYNC3	SYNC2	SYNC1	SYNC0	
		15:8									
		23:16	PTRCS[2:0]			PTRM			UPDM[1:0]		
		31:24									
0x24	PWM_DMAR	7:0	DMADUTY[7:0]								
		15:8	DMADUTY[15:8]								
		23:16	DMADUTY[23:16]								
		31:24									
0x28	PWM_SCUC	7:0								UPDULOCK	
		15:8									
		23:16									
		31:24									
0x2C	PWM_SCUP	7:0	UPRCNT[3:0]			UPR[3:0]					
		15:8									
		23:16									
		31:24									
0x30	PWM_SCUPUPD	7:0	UPRUPD[3:0]								
		15:8									
		23:16									
		31:24									
0x34	PWM_IER2	7:0					UNRE			WRDY	
		15:8	CMPM7	CMPM6	CMPM5	CMPM4	CMPM3	CMPM2	CMPM1	CMPM0	
		23:16	CMPU7	CMPU6	CMPU5	CMPU4	CMPU3	CMPU2	CMPU1	CMPU0	
		31:24									

.....continued

Offset	Name	Bit Pos.	7	6	5	4	3	2	1	0
0x38	PWM_IDR2	7:0					UNRE			WRDY
		15:8	CMPM7	CMPM6	CMPM5	CMPM4	CMPM3	CMPM2	CMPM1	CMPM0
		23:16	CMPU7	CMPU6	CMPU5	CMPU4	CMPU3	CMPU2	CMPU1	CMPU0
		31:24								
0x3C	PWM_IMR2	7:0					UNRE			WRDY
		15:8	CMPM7	CMPM6	CMPM5	CMPM4	CMPM3	CMPM2	CMPM1	CMPM0
		23:16	CMPU7	CMPU6	CMPU5	CMPU4	CMPU3	CMPU2	CMPU1	CMPU0
		31:24								
0x40	PWM_ISR2	7:0					UNRE			WRDY
		15:8	CMPM7	CMPM6	CMPM5	CMPM4	CMPM3	CMPM2	CMPM1	CMPM0
		23:16	CMPU7	CMPU6	CMPU5	CMPU4	CMPU3	CMPU2	CMPU1	CMPU0
		31:24								
0x44	PWM_OOV	7:0					OOVH3	OOVH2	OOVH1	OOVH0
		15:8								
		23:16					OOVL3	OOVL2	OOVL1	OOVL0
		31:24								
0x48	PWM_OS	7:0					OSH3	OSH2	OSH1	OSH0
		15:8								
		23:16					OSL3	OSL2	OSL1	OSL0
		31:24								
0x4C	PWM_OSS	7:0					OSSH3	OSSH2	OSSH1	OSSH0
		15:8								
		23:16					OSSL3	OSSL2	OSSL1	OSSL0
		31:24								
0x50	PWM_OSC	7:0					OSCH3	OSCH2	OSCH1	OSCH0
		15:8								
		23:16					OSCL3	OSCL2	OSCL1	OSCL0
		31:24								
0x54	PWM_OSSUPD	7:0					OSSUPH3	OSSUPH2	OSSUPH1	OSSUPH0
		15:8								
		23:16					OSSUPL3	OSSUPL2	OSSUPL1	OSSUPL0
		31:24								
0x58	PWM_OSCUPD	7:0					OSCUPH3	OSCUPH2	OSCUPH1	OSCUPH0
		15:8								
		23:16					OSCUPL3	OSCUPL2	OSCUPL1	OSCUPL0
		31:24								
0x5C	PWM_FMR	7:0	FPOL[7:0]							
		15:8	FMOD[7:0]							
		23:16	FFIL[7:0]							
		31:24								
0x60	PWM_FSR	7:0	FIV[7:0]							
		15:8	FS[7:0]							
		23:16								
		31:24								
0x64	PWM_FCR	7:0	FCLR[7:0]							
		15:8								
		23:16								
		31:24								
0x68	PWM_FPV1	7:0					FPVH3	FPVH2	FPVH1	FPVH0
		15:8								
		23:16					FPVL3	FPVL2	FPVL1	FPVL0
		31:24								
0x6C	PWM_FPE	7:0	FPE0[7:0]							
		15:8	FPE1[7:0]							
		23:16	FPE2[7:0]							
		31:24	FPE3[7:0]							
0x70 ... 0x7B	Reserved									

.....continued

Offset	Name	Bit Pos.	7	6	5	4	3	2	1	0
0x7C	PWM_ELMRO	7:0	CSEL7	CSEL6	CSEL5	CSEL4	CSEL3	CSEL2	CSEL1	CSEL0
		15:8								
		23:16								
		31:24								
0x80	PWM_ELMR1	7:0	CSEL7	CSEL6	CSEL5	CSEL4	CSEL3	CSEL2	CSEL1	CSEL0
		15:8								
		23:16								
		31:24								
0x84 ... 0x9F	Reserved									
0xA0	PWM_SSPR	7:0	SPRD[7:0]							
		15:8	SPRD[15:8]							
		23:16	SPRD[23:16]							
		31:24	SPRDM							
0xA4	PWM_SSPUP	7:0	SPRDUP[7:0]							
		15:8	SPRDUP[15:8]							
		23:16	SPRDUP[23:16]							
		31:24								
0xA8 ... 0xAF	Reserved									
0xB0	PWM_SMMR	7:0							GCEN1	GCEN0
		15:8								
		23:16							DOWN1	DOWN0
		31:24								
0xB4 ... 0xBF	Reserved									
0xC0	PWM_FPV2	7:0					FPZH3	FPZH2	FPZH1	FPZH0
		15:8								
		23:16					FPZL3	FPZL2	FPZL1	FPZL0
		31:24								
0xC4 ... 0xE3	Reserved									
0xE4	PWM_WPCR	7:0	WPRG5	WPRG4	WPRG3	WPRG2	WPRG1	WPRG0	WPCMD[1:0]	
		15:8	WPKEY[7:0]							
		23:16	WPKEY[15:8]							
		31:24	WPKEY[23:16]							
0xE8	PWM_WPSR	7:0	WPVS		WPSWS5	WPSWS4	WPSWS3	WPSWS2	WPSWS1	WPSWS0
		15:8			WPHWS5	WPHWS4	WPHWS3	WPHWS2	WPHWS1	WPHWS0
		23:16	WPVSR[7:0]							
		31:24	WPVSR[15:8]							
0xEC ... 0x012F	Reserved									
0x0130	PWM_CMPV0	7:0	CV[7:0]							
		15:8	CV[15:8]							
		23:16	CV[23:16]							
		31:24	CVM							
0x0134	PWM_CMPVUPDO	7:0	CVUPD[7:0]							
		15:8	CVUPD[15:8]							
		23:16	CVUPD[23:16]							
		31:24	CVMUPD							
0x0138	PWM_CPMPO	7:0	CTR[3:0]				CEN			
		15:8	CPRCNT[3:0]				CPR[3:0]			
		23:16	CUPRCNT[3:0]				CUPR[3:0]			
		31:24								

.....continued

Offset	Name	Bit Pos.	7	6	5	4	3	2	1	0	
0x013C	PWM_CMPMUPD0	7:0	CTRUPD[3:0]								CENUPD
		15:8						CPRUPD[3:0]			
		23:16						CUPRUPD[3:0]			
		31:24									
0x0140	PWM_CMPV1	7:0				CV[7:0]					
		15:8				CV[15:8]					
		23:16				CV[23:16]					
		31:24									CVM
0x0144	PWM_CMPVUPD1	7:0				CVUPD[7:0]					
		15:8				CVUPD[15:8]					
		23:16				CVUPD[23:16]					
		31:24									CVMUPD
0x0148	PWM_CMPM1	7:0	CTR[3:0]								CEN
		15:8	CPRCNT[3:0]					CPR[3:0]			
		23:16	CUPRCNT[3:0]					CUPR[3:0]			
		31:24									
0x014C	PWM_CMPMUPD1	7:0	CTRUPD[3:0]								CENUPD
		15:8						CPRUPD[3:0]			
		23:16						CUPRUPD[3:0]			
		31:24									
0x0150	PWM_CMPV2	7:0				CV[7:0]					
		15:8				CV[15:8]					
		23:16				CV[23:16]					
		31:24									CVM
0x0154	PWM_CMPVUPD2	7:0				CVUPD[7:0]					
		15:8				CVUPD[15:8]					
		23:16				CVUPD[23:16]					
		31:24									CVMUPD
0x0158	PWM_CMPM2	7:0	CTR[3:0]								CEN
		15:8	CPRCNT[3:0]					CPR[3:0]			
		23:16	CUPRCNT[3:0]					CUPR[3:0]			
		31:24									
0x015C	PWM_CMPMUPD2	7:0	CTRUPD[3:0]								CENUPD
		15:8						CPRUPD[3:0]			
		23:16						CUPRUPD[3:0]			
		31:24									
0x0160	PWM_CMPV3	7:0				CV[7:0]					
		15:8				CV[15:8]					
		23:16				CV[23:16]					
		31:24									CVM
0x0164	PWM_CMPVUPD3	7:0				CVUPD[7:0]					
		15:8				CVUPD[15:8]					
		23:16				CVUPD[23:16]					
		31:24									CVMUPD
0x0168	PWM_CMPM3	7:0	CTR[3:0]								CEN
		15:8	CPRCNT[3:0]					CPR[3:0]			
		23:16	CUPRCNT[3:0]					CUPR[3:0]			
		31:24									
0x016C	PWM_CMPMUPD3	7:0	CTRUPD[3:0]								CENUPD
		15:8						CPRUPD[3:0]			
		23:16						CUPRUPD[3:0]			
		31:24									
0x0170	PWM_CMPV4	7:0				CV[7:0]					
		15:8				CV[15:8]					
		23:16				CV[23:16]					
		31:24									CVM
0x0174	PWM_CMPVUPD4	7:0				CVUPD[7:0]					
		15:8				CVUPD[15:8]					
		23:16				CVUPD[23:16]					
		31:24									CVMUPD

.....continued

Offset	Name	Bit Pos.	7	6	5	4	3	2	1	0	
0x0178	PWM_CMPM4	7:0	CTR[3:0]								CEN
		15:8	CPRCNT[3:0]						CPR[3:0]		
		23:16	CUPRCNT[3:0]						CUPR[3:0]		
		31:24									
0x017C	PWM_CMPMUPD4	7:0	CTRUPD[3:0]								CENUPD
		15:8							CPRUPD[3:0]		
		23:16							CUPRUPD[3:0]		
		31:24									
0x0180	PWM_CMPV5	7:0				CV[7:0]					
		15:8				CV[15:8]					
		23:16				CV[23:16]					
		31:24									CVM
0x0184	PWM_CMPVUPD5	7:0				CVUPD[7:0]					
		15:8				CVUPD[15:8]					
		23:16				CVUPD[23:16]					
		31:24									CVMUPD
0x0188	PWM_CMPM5	7:0	CTR[3:0]								CEN
		15:8	CPRCNT[3:0]						CPR[3:0]		
		23:16	CUPRCNT[3:0]						CUPR[3:0]		
		31:24									
0x018C	PWM_CMPMUPD5	7:0	CTRUPD[3:0]								CENUPD
		15:8							CPRUPD[3:0]		
		23:16							CUPRUPD[3:0]		
		31:24									
0x0190	PWM_CMPV6	7:0				CV[7:0]					
		15:8				CV[15:8]					
		23:16				CV[23:16]					
		31:24									CVM
0x0194	PWM_CMPVUPD6	7:0				CVUPD[7:0]					
		15:8				CVUPD[15:8]					
		23:16				CVUPD[23:16]					
		31:24									CVMUPD
0x0198	PWM_CMPM6	7:0	CTR[3:0]								CEN
		15:8	CPRCNT[3:0]						CPR[3:0]		
		23:16	CUPRCNT[3:0]						CUPR[3:0]		
		31:24									
0x019C	PWM_CMPMUPD6	7:0	CTRUPD[3:0]								CENUPD
		15:8							CPRUPD[3:0]		
		23:16							CUPRUPD[3:0]		
		31:24									
0x01A0	PWM_CMPV7	7:0				CV[7:0]					
		15:8				CV[15:8]					
		23:16				CV[23:16]					
		31:24									CVM
0x01A4	PWM_CMPVUPD7	7:0				CVUPD[7:0]					
		15:8				CVUPD[15:8]					
		23:16				CVUPD[23:16]					
		31:24									CVMUPD
0x01A8	PWM_CMPM7	7:0	CTR[3:0]								CEN
		15:8	CPRCNT[3:0]						CPR[3:0]		
		23:16	CUPRCNT[3:0]						CUPR[3:0]		
		31:24									
0x01AC	PWM_CMPMUPD7	7:0	CTRUPD[3:0]								CENUPD
		15:8							CPRUPD[3:0]		
		23:16							CUPRUPD[3:0]		
		31:24									
0x01B0 ... 0x01FF	Reserved										



.....continued

Offset	Name	Bit Pos.	7	6	5	4	3	2	1	0	
0x0200	PWM_CMRO	7:0						CPRE[3:0]			
		15:8			TCTS	DPOLI	UPDS	CES	CPOL	CALG	
		23:16					PPM	DTLI	DTHI	DTE	
		31:24									
0x0204	PWM_CDTY0	7:0					CDTY[7:0]				
		15:8					CDTY[15:8]				
		23:16					CDTY[23:16]				
		31:24									
0x0208	PWM_CDTYUPD0	7:0					CDTYUPD[7:0]				
		15:8					CDTYUPD[15:8]				
		23:16					CDTYUPD[23:16]				
		31:24									
0x020C	PWM_CPRD0	7:0					CPRD[7:0]				
		15:8					CPRD[15:8]				
		23:16					CPRD[23:16]				
		31:24									
0x0210	PWM_CPRDUPD0	7:0					CPRDUPD[7:0]				
		15:8					CPRDUPD[15:8]				
		23:16					CPRDUPD[23:16]				
		31:24									
0x0214	PWM_CCNT0	7:0					CNT[7:0]				
		15:8					CNT[15:8]				
		23:16					CNT[23:16]				
		31:24									
0x0218	PWM_DT0	7:0					DTH[7:0]				
		15:8					DTH[15:8]				
		23:16					DTL[7:0]				
		31:24					DTL[15:8]				
0x021C	PWM_DTUPD0	7:0					DTHUPD[7:0]				
		15:8					DTHUPD[15:8]				
		23:16					DTLUPD[7:0]				
		31:24					DTLUPD[15:8]				
0x0220	PWM_CMRI	7:0						CPRE[3:0]			
		15:8			TCTS	DPOLI	UPDS	CES	CPOL	CALG	
		23:16					PPM	DTLI	DTHI	DTE	
		31:24									
0x0224	PWM_CDTY1	7:0					CDTY[7:0]				
		15:8					CDTY[15:8]				
		23:16					CDTY[23:16]				
		31:24									
0x0228	PWM_CDTYUPD1	7:0					CDTYUPD[7:0]				
		15:8					CDTYUPD[15:8]				
		23:16					CDTYUPD[23:16]				
		31:24									
0x022C	PWM_CPRD1	7:0					CPRD[7:0]				
		15:8					CPRD[15:8]				
		23:16					CPRD[23:16]				
		31:24									
0x0230	PWM_CPRDUPD1	7:0					CPRDUPD[7:0]				
		15:8					CPRDUPD[15:8]				
		23:16					CPRDUPD[23:16]				
		31:24									
0x0234	PWM_CCNT1	7:0					CNT[7:0]				
		15:8					CNT[15:8]				
		23:16					CNT[23:16]				
		31:24									
0x0238	PWM_DT1	7:0					DTH[7:0]				
		15:8					DTH[15:8]				
		23:16					DTL[7:0]				
		31:24					DTL[15:8]				

.....continued

Offset	Name	Bit Pos.	7	6	5	4	3	2	1	0
0x023C	PWM_DTUPD1	7:0	DTHUPD[7:0]							
		15:8	DTHUPD[15:8]							
		23:16	DTLUPD[7:0]							
		31:24	DTLUPD[15:8]							
0x0240	PWM_CMR2	7:0	CPRE[3:0]							
		15:8			TCTS	DPOLI	UPDS	CES	CPOL	CALG
		23:16					PPM	DTLI	DTHI	DTE
		31:24								
0x0244	PWM_CDTY2	7:0	CDTY[7:0]							
		15:8	CDTY[15:8]							
		23:16	CDTY[23:16]							
		31:24								
0x0248	PWM_CDTYUPD2	7:0	CDTYUPD[7:0]							
		15:8	CDTYUPD[15:8]							
		23:16	CDTYUPD[23:16]							
		31:24								
0x024C	PWM_CPRD2	7:0	CPRD[7:0]							
		15:8	CPRD[15:8]							
		23:16	CPRD[23:16]							
		31:24								
0x0250	PWM_CPRDUPD2	7:0	CPRDUPD[7:0]							
		15:8	CPRDUPD[15:8]							
		23:16	CPRDUPD[23:16]							
		31:24								
0x0254	PWM_CCNT2	7:0	CNT[7:0]							
		15:8	CNT[15:8]							
		23:16	CNT[23:16]							
		31:24								
0x0258	PWM_DT2	7:0	DTH[7:0]							
		15:8	DTH[15:8]							
		23:16	DTL[7:0]							
		31:24	DTL[15:8]							
0x025C	PWM_DTUPD2	7:0	DTHUPD[7:0]							
		15:8	DTHUPD[15:8]							
		23:16	DTLUPD[7:0]							
		31:24	DTLUPD[15:8]							
0x0260	PWM_CMR3	7:0	CPRE[3:0]							
		15:8			TCTS	DPOLI	UPDS	CES	CPOL	CALG
		23:16					PPM	DTLI	DTHI	DTE
		31:24								
0x0264	PWM_CDTY3	7:0	CDTY[7:0]							
		15:8	CDTY[15:8]							
		23:16	CDTY[23:16]							
		31:24								
0x0268	PWM_CDTYUPD3	7:0	CDTYUPD[7:0]							
		15:8	CDTYUPD[15:8]							
		23:16	CDTYUPD[23:16]							
		31:24								
0x026C	PWM_CPRD3	7:0	CPRD[7:0]							
		15:8	CPRD[15:8]							
		23:16	CPRD[23:16]							
		31:24								
0x0270	PWM_CPRDUPD3	7:0	CPRDUPD[7:0]							
		15:8	CPRDUPD[15:8]							
		23:16	CPRDUPD[23:16]							
		31:24								
0x0274	PWM_CCNT3	7:0	CNT[7:0]							
		15:8	CNT[15:8]							
		23:16	CNT[23:16]							
		31:24								

.....continued

Offset	Name	Bit Pos.	7	6	5	4	3	2	1	0
0x0278	PWM_DT3	7:0	DTH[7:0]							
		15:8	DTH[15:8]							
		23:16	DTL[7:0]							
		31:24	DTL[15:8]							
0x027C	PWM_DTUPD3	7:0	DTHUPD[7:0]							
		15:8	DTHUPD[15:8]							
		23:16	DTLUPD[7:0]							
		31:24	DTLUPD[15:8]							
0x0280 ... 0x03FF	Reserved									
0x0400	PWM_CMUPD0	7:0								
		15:8			CPOLINVUP					CPOLUP
		23:16								
		31:24								
0x0404 ... 0x041F	Reserved									
0x0420	PWM_CMUPD1	7:0								
		15:8			CPOLINVUP					CPOLUP
		23:16								
		31:24								
0x0424 ... 0x042B	Reserved									
0x042C	PWM_ETRG1	7:0	MAXCNT[7:0]							
		15:8	MAXCNT[15:8]							
		23:16	MAXCNT[23:16]							
		31:24	RFEN	TRGSRC	TRGFILT	TRGEDGE				TRGMODE[1:0]
0x0430	PWM_LEBR1	7:0	LEBDELAY[6:0]							
		15:8								
		23:16					PWMHREN	PWMHFEN	PWMLREN	PWMLFEN
		31:24								
0x0434 ... 0x043F	Reserved									
0x0440	PWM_CMUPD2	7:0								
		15:8			CPOLINVUP					CPOLUP
		23:16								
		31:24								
0x0444 ... 0x044B	Reserved									
0x044C	PWM_ETRG2	7:0	MAXCNT[7:0]							
		15:8	MAXCNT[15:8]							
		23:16	MAXCNT[23:16]							
		31:24	RFEN	TRGSRC	TRGFILT	TRGEDGE				TRGMODE[1:0]
0x0450	PWM_LEBR2	7:0	LEBDELAY[6:0]							
		15:8								
		23:16					PWMHREN	PWMHFEN	PWMLREN	PWMLFEN
		31:24								
0x0454 ... 0x045F	Reserved									
0x0460	PWM_CMUPD3	7:0								
		15:8			CPOLINVUP					CPOLUP
		23:16								
		31:24								

### 40.7.1 PWM Clock Register

**Name:** PWM\_CLK  
**Offset:** 0x00  
**Reset:** 0x00000000  
**Property:** Read/Write

This register can only be written if bits WPSWS0 and WPHWS0 are cleared in the [PWM Write Protection Status Register](#).

Bit	31	30	29	28	27	26	25	24
					PREB[3:0]			
Access					R/W	R/W	R/W	R/W
Reset					0	0	0	0
Bit	23	22	21	20	19	18	17	16
	DIVB[7:0]							
Access	R/W	R/W	R/W	R/W	R/W	R/W	R/W	R/W
Reset	0	0	0	0	0	0	0	0
Bit	15	14	13	12	11	10	9	8
					PREA[3:0]			
Access					R/W	R/W	R/W	R/W
Reset					0	0	0	0
Bit	7	6	5	4	3	2	1	0
	DIVA[7:0]							
Access	R/W	R/W	R/W	R/W	R/W	R/W	R/W	R/W
Reset	0	0	0	0	0	0	0	0

#### Bits 27:24 – PREB[3:0] CLKB Source Clock Selection

Value	Name	Description
0	CLK	Peripheral clock
1	CLK_DIV2	Peripheral clock/2
2	CLK_DIV4	Peripheral clock/4
3	CLK_DIV8	Peripheral clock/8
4	CLK_DIV16	Peripheral clock/16
5	CLK_DIV32	Peripheral clock/32
6	CLK_DIV64	Peripheral clock/64
7	CLK_DIV128	Peripheral clock/128
8	CLK_DIV256	Peripheral clock/256
9	CLK_DIV512	Peripheral clock/512
10	CLK_DIV1024	Peripheral clock/1024
Other	-	Reserved

#### Bits 23:16 – DIVB[7:0] CLKB Divide Factor

Value	Name	Description
0	CLKB_POFF	CLKB clock is turned off
1	PREB	CLKB clock is clock selected by PREB
2–255	PREB_DIV	CLKB clock is clock selected by PREB divided by DIVB factor

#### Bits 11:8 – PREA[3:0] CLKA Source Clock Selection

Value	Name	Description
0	CLK	Peripheral clock
1	CLK_DIV2	Peripheral clock/2

Value	Name	Description
2	CLK_DIV4	Peripheral clock/4
3	CLK_DIV8	Peripheral clock/8
4	CLK_DIV16	Peripheral clock/16
5	CLK_DIV32	Peripheral clock/32
6	CLK_DIV64	Peripheral clock/64
7	CLK_DIV128	Peripheral clock/128
8	CLK_DIV256	Peripheral clock/256
9	CLK_DIV512	Peripheral clock/512
10	CLK_DIV1024	Peripheral clock/1024
Other	-	Reserved

### Bits 7:0 – DIVA[7:0] CLKA Divide Factor

Value	Name	Description
0	CLKA_POFF	CLKA clock is turned off
1	PREA	CLKA clock is clock selected by PREA
2–255	PREA_DIV	CLKA clock is clock selected by PREA divided by DIVA factor

## 40.7.2 PWM Enable Register

**Name:** PWM\_ENA  
**Offset:** 0x04  
**Reset:** -  
**Property:** Write-only

Bit	31	30	29	28	27	26	25	24
Access								
Reset								
Bit	23	22	21	20	19	18	17	16
Access								
Reset								
Bit	15	14	13	12	11	10	9	8
Access								
Reset								
Bit	7	6	5	4	3	2	1	0
Access					CHID3	CHID2	CHID1	CHID0
Reset					W	W	W	W
					-	-	-	-

### Bits 0, 1, 2, 3 - CHIDx Channel ID

Value	Description
0	No effect.
1	Enable PWM output for channel x.

### 40.7.3 PWM Disable Register

**Name:** PWM\_DIS  
**Offset:** 0x08  
**Reset:** -  
**Property:** Write-only

This register can only be written if bits WPSWS1 and WPHWS1 are cleared in the [PWM Write Protection Status Register](#).

Bit	31	30	29	28	27	26	25	24
Access								
Reset								
Bit	23	22	21	20	19	18	17	16
Access								
Reset								
Bit	15	14	13	12	11	10	9	8
Access								
Reset								
Bit	7	6	5	4	3	2	1	0
Access					CHID3	CHID2	CHID1	CHID0
Reset					W	W	W	W
					-	-	-	-

#### Bits 0, 1, 2, 3 - CHIDx Channel ID

Value	Description
0	No effect.
1	Disable PWM output for channel x.

#### 40.7.4 PWM Status Register

**Name:** PWM\_SR  
**Offset:** 0x0C  
**Reset:** 0x00000000  
**Property:** Read-only

Bit	31	30	29	28	27	26	25	24
Access								
Reset								
Bit	23	22	21	20	19	18	17	16
Access								
Reset								
Bit	15	14	13	12	11	10	9	8
Access								
Reset								
Bit	7	6	5	4	3	2	1	0
Access					CHID3	CHID2	CHID1	CHID0
Reset					R	R	R	R
					0	0	0	0

#### Bits 0, 1, 2, 3 – CHIDx Channel ID

Value	Description
0	PWM output for channel x is disabled.
1	PWM output for channel x is enabled.



### 40.7.5 PWM Interrupt Enable Register 1

**Name:** PWM\_IER1

**Offset:** 0x10

**Reset:** -

**Property:** Write-only

This register can only be written if bits WPSWS1 and WPHWS1 are cleared in the [PWM Write Protection Status Register](#).

Bit	31	30	29	28	27	26	25	24
Access								
Reset								
Bit	23	22	21	20	19	18	17	16
Access					FCHID3	FCHID2	FCHID1	FCHID0
Reset					W	W	W	W
Bit	15	14	13	12	11	10	9	8
Access								
Reset								
Bit	7	6	5	4	3	2	1	0
Access					CHID3	CHID2	CHID1	CHID0
Reset					W	W	W	W

**Bits 16, 17, 18, 19 - FCHIDx** Fault Protection Trigger on Channel x Interrupt Enable

**Bits 0, 1, 2, 3 - CHIDx** Counter Event on Channel x Interrupt Enable

### 40.7.6 PWM Interrupt Disable Register 1

**Name:** PWM\_IDR1

**Offset:** 0x14

**Reset:** -

**Property:** Write-only

This register can only be written if bits WPSWS1 and WPHWS1 are cleared in the [PWM Write Protection Status Register](#).

Bit	31	30	29	28	27	26	25	24
Access								
Reset								
Bit	23	22	21	20	19	18	17	16
Access					FCHID3	FCHID2	FCHID1	FCHID0
Reset					W	W	W	W
Bit	15	14	13	12	11	10	9	8
Access								
Reset								
Bit	7	6	5	4	3	2	1	0
Access					CHID3	CHID2	CHID1	CHID0
Reset					W	W	W	W

**Bits 16, 17, 18, 19 - FCHIDx** Fault Protection Trigger on Channel x Interrupt Disable

**Bits 0, 1, 2, 3 - CHIDx** Counter Event on Channel x Interrupt Disable

### 40.7.7 PWM Interrupt Mask Register 1

**Name:** PWM\_IMR1  
**Offset:** 0x18  
**Reset:** 0x00000000  
**Property:** Read-only

Bit	31	30	29	28	27	26	25	24
Access								
Reset								
Bit	23	22	21	20	19	18	17	16
Access					FCHID3	FCHID2	FCHID1	FCHID0
Reset					R	R	R	R
Reset					0	0	0	0
Bit	15	14	13	12	11	10	9	8
Access								
Reset								
Bit	7	6	5	4	3	2	1	0
Access					CHID3	CHID2	CHID1	CHID0
Reset					R	R	R	R
Reset					0	0	0	0

**Bits 16, 17, 18, 19 - FCHIDx** Fault Protection Trigger on Channel x Interrupt Mask

**Bits 0, 1, 2, 3 - CHIDx** Counter Event on Channel x Interrupt Mask

### 40.7.8 PWM Interrupt Status Register 1

**Name:** PWM\_ISR1  
**Offset:** 0x1C  
**Reset:** 0x00000000  
**Property:** Read-only

**Note:** Reading PWM\_ISR1 automatically clears CHIDx and FCHIDx flags.

Bit	31	30	29	28	27	26	25	24
Access								
Reset								
Bit	23	22	21	20	19	18	17	16
Access					FCHID3	FCHID2	FCHID1	FCHID0
Reset					R	R	R	R
Bit	15	14	13	12	11	10	9	8
Access								
Reset								
Bit	7	6	5	4	3	2	1	0
Access					CHID3	CHID2	CHID1	CHID0
Reset					R	R	R	R
Bit	7	6	5	4	3	2	1	0
Reset					0	0	0	0

#### Bits 16, 17, 18, 19 – FCHIDx Fault Protection Trigger on Channel x

Value	Description
0	No new trigger of the fault protection since the last read of PWM_ISR1.
1	At least one trigger of the fault protection since the last read of PWM_ISR1.

#### Bits 0, 1, 2, 3 – CHIDx Counter Event on Channel x

Value	Description
0	No new counter event has occurred since the last read of PWM_ISR1.
1	At least one counter event has occurred since the last read of PWM_ISR1.

### 40.7.9 PWM Sync Channels Mode Register

**Name:** PWM\_SCM  
**Offset:** 0x20  
**Reset:** 0x00000000  
**Property:** Read/Write

This register can only be written if bits WPSWS2 and WPHWS2 are cleared in the [PWM Write Protection Status Register](#).

Bit	31	30	29	28	27	26	25	24
Access								
Reset								
Bit	23	22	21	20	19	18	17	16
Access	PTRCS[2:0]			PTRM			UPDM[1:0]	
Reset	R/W	R/W	R/W	R/W			R/W	R/W
Bit	15	14	13	12	11	10	9	8
Access								
Reset								
Bit	7	6	5	4	3	2	1	0
Access					SYNC3	SYNC2	SYNC1	SYNC0
Reset					R/W	R/W	R/W	R/W
					0	0	0	0

#### Bits 23:21 – PTRCS[2:0] DMA Controller Transfer Request Comparison Selection

Selection of the comparison used to set the flag WRDY and the corresponding DMA Controller transfer request.

#### Bit 20 – PTRM DMA Controller Transfer Request Mode

UPDM	PTRM	WRDY Flag and DMA Controller Transfer Request
0	x	The WRDY flag in <a href="#">PWM Interrupt Status Register 2</a> and the DMA transfer request are never set to '1'.
1	x	The WRDY flag in <a href="#">PWM Interrupt Status Register 2</a> is set to '1' as soon as the update period is elapsed, the DMA Controller transfer request is never set to '1'.
2	0	The WRDY flag in <a href="#">PWM Interrupt Status Register 2</a> and the DMA transfer request are set to '1' as soon as the update period is elapsed.
	1	The WRDY flag in <a href="#">PWM Interrupt Status Register 2</a> and the DMA transfer request are set to '1' as soon as the selected comparison matches.

#### Bits 17:16 – UPDM[1:0] Synchronous Channels Update Mode

Value	Name	Description
0	MODE0	Manual write of double buffer registers and manual update of synchronous channels <sup>1</sup> ( <sup>1</sup> ).
1	MODE1	Manual write of double buffer registers and automatic update of synchronous channels <sup>2</sup> ( <sup>2</sup> ).
2	MODE2	The WRDY flag in <a href="#">PWM Interrupt Status Register 2</a> and the DMA transfer request are set to '1' as soon as the update period is elapsed.

**Notes:**

1. The update occurs at the beginning of the next PWM period, when the UPDULOCK bit in [PWM Sync Channels Update Control Register](#) is set.
2. The update occurs when the Update Period is elapsed.

**Bits 0, 1, 2, 3 – SYNCx Synchronous Channel x**

Value	Description
0	Channel x is not a synchronous channel.
1	Channel x is a synchronous channel.

### 40.7.10 PWM DMA Register

**Name:** PWM\_DMAR  
**Offset:** 0x24  
**Reset:** -  
**Property:** Write-only

Only the first 16 bits (channel counter size) are significant.

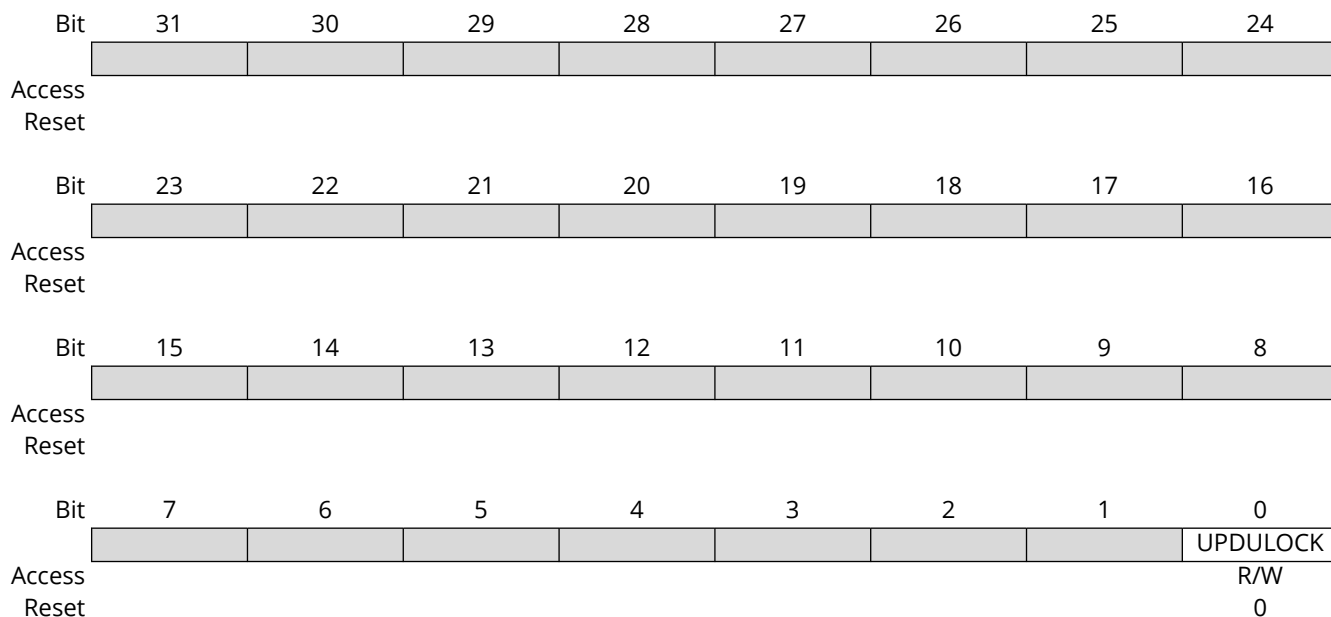
Bit	31	30	29	28	27	26	25	24
Access								
Reset								
Bit	23	22	21	20	19	18	17	16
	DMADUTY[23:16]							
Access	W	W	W	W	W	W	W	W
Reset	-	-	-	-	-	-	-	-
Bit	15	14	13	12	11	10	9	8
	DMADUTY[15:8]							
Access	W	W	W	W	W	W	W	W
Reset	-	-	-	-	-	-	-	-
Bit	7	6	5	4	3	2	1	0
	DMADUTY[7:0]							
Access	W	W	W	W	W	W	W	W
Reset	-	-	-	-	-	-	-	-

#### Bits 23:0 – DMADUTY[23:0] Duty-Cycle Holding Register for DMA Access

Each write access to PWM\_DMAR sequentially updates PWM\_CDTYUPDx.CDTYUPD with DMADUTY (only for channel configured as synchronous). See [“Method 3: Automatic write of duty-cycle values and automatic trigger of the update”](#) .

### 40.7.11 PWM Sync Channels Update Control Register

**Name:** PWM\_SCUC  
**Offset:** 0x28  
**Reset:** 0x00000000  
**Property:** Read/Write



#### Bit 0 - UPDULOCK Synchronous Channels Update Unlock

This bit is automatically reset when the update is done.

Value	Description
0	No effect
1	If the UPDM field is set to '0' in <a href="#">PWM Sync Channels Mode Register</a> , writing the UPDULOCK bit to '1' triggers the update of the period value, the duty-cycle and the dead-time values of synchronous channels at the beginning of the next PWM period. If the field UPDM is set to '1' or '2', writing the UPDULOCK bit to '1' triggers only the update of the period value and of the dead-time values of synchronous channels.



### 40.7.12 PWM Sync Channels Update Period Register

**Name:** PWM\_SCUP  
**Offset:** 0x2C  
**Reset:** 0x00000000  
**Property:** Read/Write

Bit	31	30	29	28	27	26	25	24
Access								
Reset								
Bit	23	22	21	20	19	18	17	16
Access								
Reset								
Bit	15	14	13	12	11	10	9	8
Access								
Reset								
Bit	7	6	5	4	3	2	1	0
Access	UPRCNT[3:0]				UPR[3:0]			
Reset	R/W	R/W	R/W	R/W	R/W	R/W	R/W	R/W
Reset	0	0	0	0	0	0	0	0

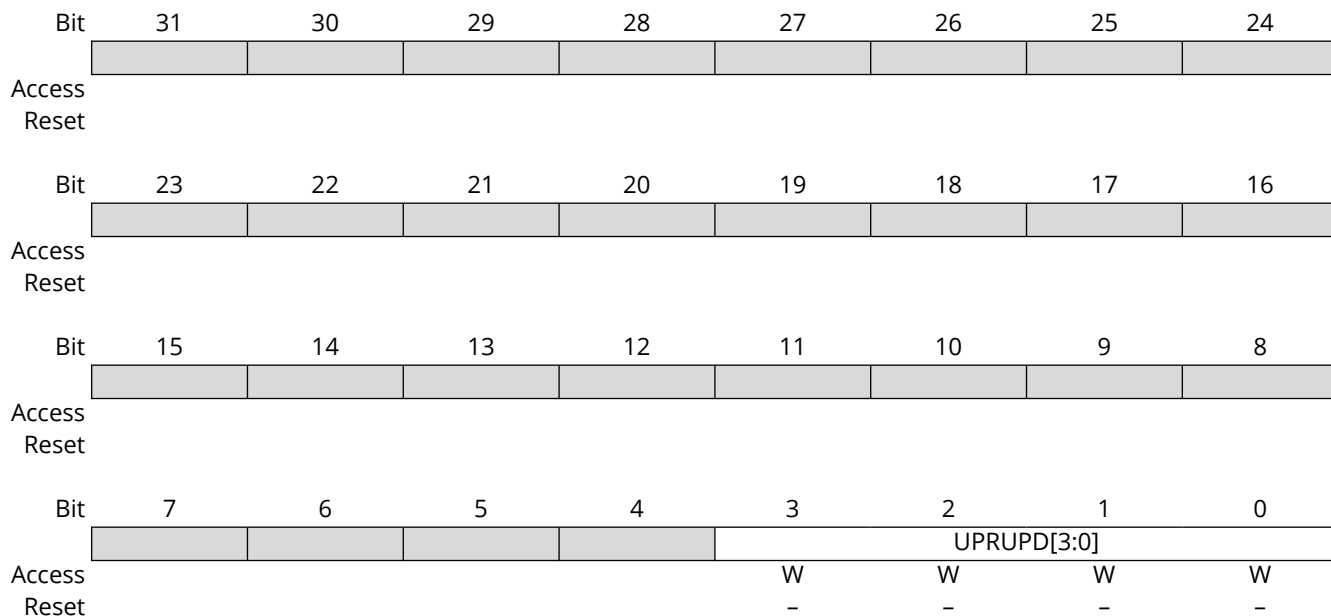
**Bits 7:4 – UPRCNT[3:0]** Update Period Counter  
 Reports the value of the update period counter.

**Bits 3:0 – UPR[3:0]** Update Period  
 Defines the time between each update of the synchronous channels if automatic trigger of the update is activated (UPDM = 1 or UPDM = 2 in [PWM Sync Channels Mode Register](#)). This time is equal to UPR+1 periods of the synchronous channels.

### 40.7.13 PWM Sync Channels Update Period Update Register

**Name:** PWM\_SCUPUPD  
**Offset:** 0x30  
**Reset:** -  
**Property:** Write-only

This register acts as a double buffer for the UPR value. This prevents an unexpected automatic trigger of the update of synchronous channels.



#### Bits 3:0 – UPRUPD[3:0] Update Period Update

Defines the wanted time between each update of the synchronous channels if automatic trigger of the update is activated (UPDM = 1 or UPDM = 2 in [PWM Sync Channels Mode Register](#)). This time is equal to UPR+1 periods of the synchronous channels.

#### 40.7.14 PWM Interrupt Enable Register 2

**Name:** PWM\_IER2  
**Offset:** 0x34  
**Reset:** -  
**Property:** Write-only

This register can only be written if bits WPSWS1 and WPHWS1 are cleared in the [PWM Write Protection Status Register](#).

Bit	31	30	29	28	27	26	25	24
Access								
Reset								
Bit	23	22	21	20	19	18	17	16
	CMPU7	CMPU6	CMPU5	CMPU4	CMPU3	CMPU2	CMPU1	CMPU0
Access	W	W	W	W	W	W	W	W
Reset	-	-	-	-	-	-	-	-
Bit	15	14	13	12	11	10	9	8
	CMPM7	CMPM6	CMPM5	CMPM4	CMPM3	CMPM2	CMPM1	CMPM0
Access	W	W	W	W	W	W	W	W
Reset	-	-	-	-	-	-	-	-
Bit	7	6	5	4	3	2	1	0
					UNRE			WRDY
Access					W			W
Reset					-			-

**Bits 16, 17, 18, 19, 20, 21, 22, 23 – CMPUx** Comparison x Update Interrupt Enable

**Bits 8, 9, 10, 11, 12, 13, 14, 15 – CMPMx** Comparison x Match Interrupt Enable

**Bit 3 – UNRE** Synchronous Channels Update Underrun Error Interrupt Enable

**Bit 0 – WRDY** Write Ready for Synchronous Channels Update Interrupt Enable

### 40.7.15 PWM Interrupt Disable Register 2

**Name:** PWM\_IDR2  
**Offset:** 0x38  
**Reset:** -  
**Property:** Write-only

This register can only be written if bits WPSWS1 and WPHWS1 are cleared in the [PWM Write Protection Status Register](#).

Bit	31	30	29	28	27	26	25	24
Access								
Reset								
Bit	23	22	21	20	19	18	17	16
	CMPU7	CMPU6	CMPU5	CMPU4	CMPU3	CMPU2	CMPU1	CMPU0
Access	W	W	W	W	W	W	W	W
Reset	-	-	-	-	-	-	-	-
Bit	15	14	13	12	11	10	9	8
	CMPM7	CMPM6	CMPM5	CMPM4	CMPM3	CMPM2	CMPM1	CMPM0
Access	W	W	W	W	W	W	W	W
Reset	-	-	-	-	-	-	-	-
Bit	7	6	5	4	3	2	1	0
					UNRE			WRDY
Access					W			W
Reset					-			-

**Bits 16, 17, 18, 19, 20, 21, 22, 23 – CMPUx** Comparison x Update Interrupt Disable

**Bits 8, 9, 10, 11, 12, 13, 14, 15 – CMPMx** Comparison x Match Interrupt Disable

**Bit 3 – UNRE** Synchronous Channels Update Underrun Error Interrupt Disable

**Bit 0 – WRDY** Write Ready for Synchronous Channels Update Interrupt Disable

### 40.7.16 PWM Interrupt Mask Register 2

**Name:** PWM\_IMR2  
**Offset:** 0x3C  
**Reset:** 0x00000000  
**Property:** Read-only

Bit	31	30	29	28	27	26	25	24
Access								
Reset								

Bit	23	22	21	20	19	18	17	16
	CMPU7	CMPU6	CMPU5	CMPU4	CMPU3	CMPU2	CMPU1	CMPU0
Access	R	R	R	R	R	R	R	R
Reset	0	0	0	0	0	0	0	0

Bit	15	14	13	12	11	10	9	8
	CMPM7	CMPM6	CMPM5	CMPM4	CMPM3	CMPM2	CMPM1	CMPM0
Access	R	R	R	R	R	R	R	R
Reset	0	0	0	0	0	0	0	0

Bit	7	6	5	4	3	2	1	0
					UNRE			WRDY
Access					R			R
Reset					0			0

**Bits 16, 17, 18, 19, 20, 21, 22, 23 – CMPUx** Comparison x Update Interrupt Mask

**Bits 8, 9, 10, 11, 12, 13, 14, 15 – CMPMx** Comparison x Match Interrupt Mask

**Bit 3 – UNRE** Synchronous Channels Update Underrun Error Interrupt Mask

**Bit 0 – WRDY** Write Ready for Synchronous Channels Update Interrupt Mask

### 40.7.17 PWM Interrupt Status Register 2

**Name:** PWM\_ISR2  
**Offset:** 0x40  
**Reset:** 0x00000000  
**Property:** Read-only

Reading PWM\_ISR2 automatically clears flags WRDY, UNRE and CMPSx.

Bit	31	30	29	28	27	26	25	24
Access								
Reset								
Bit	23	22	21	20	19	18	17	16
	CMPU7	CMPU6	CMPU5	CMPU4	CMPU3	CMPU2	CMPU1	CMPU0
Access	R	R	R	R	R	R	R	R
Reset	0	0	0	0	0	0	0	0
Bit	15	14	13	12	11	10	9	8
	CMPM7	CMPM6	CMPM5	CMPM4	CMPM3	CMPM2	CMPM1	CMPM0
Access	R	R	R	R	R	R	R	R
Reset	0	0	0	0	0	0	0	0
Bit	7	6	5	4	3	2	1	0
					UNRE			WRDY
Access					R			R
Reset					0			0

#### Bits 16, 17, 18, 19, 20, 21, 22, 23 – CMPUx Comparison x Update

Value	Description
0	The comparison x has not been updated since the last read of the PWM_ISR2 register.
1	The comparison x has been updated at least one time since the last read of the PWM_ISR2 register.

#### Bits 8, 9, 10, 11, 12, 13, 14, 15 – CMPMx Comparison x Match

Value	Description
0	The comparison x has not matched since the last read of the PWM_ISR2 register.
1	The comparison x has matched at least one time since the last read of the PWM_ISR2 register.

#### Bit 3 – UNRE Synchronous Channels Update Underrun Error

Value	Description
0	No Synchronous Channels Update Underrun has occurred since the last read of the PWM_ISR2 register.
1	At least one Synchronous Channels Update Underrun has occurred since the last read of the PWM_ISR2 register.

#### Bit 0 – WRDY Write Ready for Synchronous Channels Update

Value	Description
0	New duty-cycle and dead-time values for the synchronous channels cannot be written.
1	New duty-cycle and dead-time values for the synchronous channels can be written.

## 40.7.18 PWM Output Override Value Register

**Name:** PWM\_OOV  
**Offset:** 0x44  
**Reset:** 0x00000000  
**Property:** Read/Write

Bit	31	30	29	28	27	26	25	24
Access								
Reset								
Bit	23	22	21	20	19	18	17	16
Access					OOVL3	OOVL2	OOVL1	OOVL0
Reset					R/W	R/W	R/W	R/W
					0	0	0	0
Bit	15	14	13	12	11	10	9	8
Access								
Reset								
Bit	7	6	5	4	3	2	1	0
Access					OOVH3	OOVH2	OOVH1	OOVH0
Reset					R/W	R/W	R/W	R/W
					0	0	0	0

**Bits 16, 17, 18, 19 - OOVLx** Output Override Value for PWML output of the channel x

Value	Description
0	Override value is 0 for PWML output of channel x.
1	Override value is 1 for PWML output of channel x.

**Bits 0, 1, 2, 3 - OOVHx** Output Override Value for PWMH output of the channel x

Value	Description
0	Override value is 0 for PWMH output of channel x.
1	Override value is 1 for PWMH output of channel x.

### 40.7.19 PWM Output Selection Register

**Name:** PWM\_OS  
**Offset:** 0x48  
**Reset:** 0x00000000  
**Property:** Read/Write

Bit	31	30	29	28	27	26	25	24
Access								
Reset								
Bit	23	22	21	20	19	18	17	16
Access					OSL3	OSL2	OSL1	OSL0
Reset					R/W	R/W	R/W	R/W
					0	0	0	0
Bit	15	14	13	12	11	10	9	8
Access								
Reset								
Bit	7	6	5	4	3	2	1	0
Access					OSH3	OSH2	OSH1	OSH0
Reset					R/W	R/W	R/W	R/W
					0	0	0	0

#### Bits 16, 17, 18, 19 – OSLx Output Selection for PWML output of the channel x

Value	Description
0	Dead-time generator output DTOLx selected as PWML output of channel x.
1	Output override value OOVLx selected as PWML output of channel x.

#### Bits 0, 1, 2, 3 – OSHx Output Selection for PWMH output of the channel x

Value	Description
0	Dead-time generator output DTOHx selected as PWMH output of channel x.
1	Output override value OOVHx selected as PWMH output of channel x.



## 40.7.20 PWM Output Selection Set Register

**Name:** PWM\_OSS  
**Offset:** 0x4C  
**Reset:** -  
**Property:** Write-only

Bit	31	30	29	28	27	26	25	24
Access								
Reset								
Bit	23	22	21	20	19	18	17	16
Access					OSSL3	OSSL2	OSSL1	OSSL0
Reset					W	W	W	W
Bit	15	14	13	12	11	10	9	8
Access								
Reset								
Bit	7	6	5	4	3	2	1	0
Access					OSSH3	OSSH2	OSSH1	OSSH0
Reset					W	W	W	W

### Bits 16, 17, 18, 19 - OSSLx Output Selection Set for PWML output of the channel x

Value	Description
0	No effect.
1	Output override value OOV <sub>Lx</sub> selected as PWML output of channel x.

### Bits 0, 1, 2, 3 - OSSHx Output Selection Set for PWMH output of the channel x

Value	Description
0	No effect.
1	Output override value OOV <sub>Hx</sub> selected as PWMH output of channel x.

### 40.7.21 PWM Output Selection Clear Register

**Name:** PWM\_OSC  
**Offset:** 0x50  
**Reset:** -  
**Property:** Write-only

Bit	31	30	29	28	27	26	25	24
Access								
Reset								
Bit	23	22	21	20	19	18	17	16
Access					OSCL3	OSCL2	OSCL1	OSCL0
Reset					W	W	W	W
Bit	15	14	13	12	11	10	9	8
Access								
Reset								
Bit	7	6	5	4	3	2	1	0
Access					OSCH3	OSCH2	OSCH1	OSCH0
Reset					W	W	W	W

#### Bits 16, 17, 18, 19 – OSCLx Output Selection Clear for PWML output of the channel x

Value	Description
0	No effect.
1	Dead-time generator output DTOLx selected as PWML output of channel x.

#### Bits 0, 1, 2, 3 – OSCHx Output Selection Clear for PWMH output of the channel x

Value	Description
0	No effect.
1	Dead-time generator output DTOHx selected as PWMH output of channel x.

## 40.7.22 PWM Output Selection Set Update Register

**Name:** PWM\_OSSUPD

**Offset:** 0x54

**Reset:** -

**Property:** Write-only

Bit	31	30	29	28	27	26	25	24
Access								
Reset								
Bit	23	22	21	20	19	18	17	16
Access					OSSUPL3	OSSUPL2	OSSUPL1	OSSUPL0
Reset					W	W	W	W
Bit	15	14	13	12	11	10	9	8
Access								
Reset								
Bit	7	6	5	4	3	2	1	0
Access					OSSUPH3	OSSUPH2	OSSUPH1	OSSUPH0
Reset					W	W	W	W

### Bits 16, 17, 18, 19 - OSSUPLx Output Selection Set for PWML output of the channel x

Value	Description
0	No effect.
1	Output override value OOVLx selected as PWML output of channel x at the beginning of the next channel x PWM period.

### Bits 0, 1, 2, 3 - OSSUPHx Output Selection Set for PWMH output of the channel x

Value	Description
0	No effect.
1	Output override value OOVHx selected as PWMH output of channel x at the beginning of the next channel x PWM period.

### 40.7.23 PWM Output Selection Clear Update Register

**Name:** PWM\_OSCUPD

**Offset:** 0x58

**Reset:** -

**Property:** Write-only

Bit	31	30	29	28	27	26	25	24
Access								
Reset								
Bit	23	22	21	20	19	18	17	16
Access					OSCUPL3	OSCUPL2	OSCUPL1	OSCUPL0
Reset					W	W	W	W
Bit	15	14	13	12	11	10	9	8
Access								
Reset								
Bit	7	6	5	4	3	2	1	0
Access					OSCUPL3	OSCUPL2	OSCUPL1	OSCUPL0
Reset					W	W	W	W

#### Bits 16, 17, 18, 19 - OSCUPLx Output Selection Clear for PWML output of the channel x

Value	Description
0	No effect.
1	Dead-time generator output DTOLx selected as PWML output of channel x at the beginning of the next channel x PWM period.

#### Bits 0, 1, 2, 3 - OSCUPHx Output Selection Clear for PWMH output of the channel x

Value	Description
0	No effect.
1	Dead-time generator output DTOHx selected as PWMH output of channel x at the beginning of the next channel x PWM period.

#### 40.7.24 PWM Fault Mode Register

**Name:** PWM\_FMR  
**Offset:** 0x5C  
**Reset:** 0x00000000  
**Property:** Read/Write

This register can only be written if bits WPSWS5 and WPHWS5 are cleared in the [PWM Write Protection Status Register](#).

See [Fault Inputs](#) for details on fault generation.

**CAUTION** To prevent an unexpected activation of the status flag FSy in the [PWM Fault Status Register](#), the bit FMODy can be set to '1' only if the FPOLy bit has been previously configured to its final value.

Bit	31	30	29	28	27	26	25	24
Access								
Reset								
Bit	23	22	21	20	19	18	17	16
	FFIL[7:0]							
Access	R/W	R/W	R/W	R/W	R/W	R/W	R/W	R/W
Reset	0	0	0	0	0	0	0	0
Bit	15	14	13	12	11	10	9	8
	FMOD[7:0]							
Access	R/W	R/W	R/W	R/W	R/W	R/W	R/W	R/W
Reset	0	0	0	0	0	0	0	0
Bit	7	6	5	4	3	2	1	0
	FPOL[7:0]							
Access	R/W	R/W	R/W	R/W	R/W	R/W	R/W	R/W
Reset	0	0	0	0	0	0	0	0

##### Bits 23:16 – FFIL[7:0] Fault Filtering

For each bit y of FFIL, where y is the fault input number:

0: The fault input y is not filtered.

1: The fault input y is filtered.

##### Bits 15:8 – FMOD[7:0] Fault Activation Mode

For each bit y of FMOD, where y is the fault input number:

0: The fault y is active until the fault condition is removed at the peripheral<sup>(1)</sup> level.

1: The fault y stays active until the fault condition is removed at the peripheral level<sup>(1)</sup> AND until it is cleared in the [PWM Fault Clear Register](#).

##### Note:

1. The peripheral generating the fault.

##### Bits 7:0 – FPOL[7:0] Fault Polarity

For each bit y of FPOL, where y is the fault input number:

0: The fault y becomes active when the fault input y is at 0.

1: The fault y becomes active when the fault input y is at 1.

### 40.7.25 PWM Fault Status Register

**Name:** PWM\_FSR  
**Offset:** 0x60  
**Reset:** 0x0000FF00  
**Property:** Read-only

Refer to [Fault Inputs](#) for details on fault generation.

Bit	31	30	29	28	27	26	25	24
Access								
Reset								
Bit	23	22	21	20	19	18	17	16
Access								
Reset								
Bit	15	14	13	12	11	10	9	8
	FS[7:0]							
Access	R	R	R	R	R	R	R	R
Reset	1	1	1	1	1	1	1	1
Bit	7	6	5	4	3	2	1	0
	FIV[7:0]							
Access	R	R	R	R	R	R	R	R
Reset	0	0	0	0	0	0	0	0

#### Bits 15:8 – FS[7:0] Fault Status

For each bit  $y$  of FS, where  $y$  is the fault input number:

- 0: The fault  $y$  is not currently active.
- 1: The fault  $y$  is currently active.

#### Bits 7:0 – FIV[7:0] Fault Input Value

For each bit  $y$  of FIV, where  $y$  is the fault input number:

- 0: The current sampled value of the fault input  $y$  is 0 (after filtering if enabled).
- 1: The current sampled value of the fault input  $y$  is 1 (after filtering if enabled).

## 40.7.26 PWM Fault Clear Register

**Name:** PWM\_FCR  
**Offset:** 0x64  
**Reset:** -  
**Property:** Write-only

See [Fault Inputs](#) for details on fault generation.

Bit	31	30	29	28	27	26	25	24
Access								
Reset								
Bit	23	22	21	20	19	18	17	16
Access								
Reset								
Bit	15	14	13	12	11	10	9	8
Access								
Reset								
Bit	7	6	5	4	3	2	1	0
Access	W	W	W	W	W	W	W	W
Reset	-	-	-	-	-	-	-	-

### Bits 7:0 – FCLR[7:0] Fault Clear

For each bit  $y$  of FCLR, where  $y$  is the fault input number:

0: No effect.

1: If bit  $y$  of FMODE field is set to '1' and if the fault input  $y$  is not at the level defined by the bit  $y$  of FPOL field, the fault  $y$  is cleared and becomes inactive (FMODE and FPOL fields belong to [PWM Fault Mode Register](#)), else writing this bit to '1' has no effect.

### 40.7.27 PWM Fault Protection Value Register 1

**Name:** PWM\_FPV1  
**Offset:** 0x68  
**Reset:** 0x00000000  
**Property:** Read/Write

This register can only be written if bits WPSWS5 and WPHWS5 are cleared in the [PWM Write Protection Status Register](#).

See [Fault Inputs](#) for details on fault generation.

Bit	31	30	29	28	27	26	25	24
Access								
Reset								
Bit	23	22	21	20	19	18	17	16
Access					FPVL3	FPVL2	FPVL1	FPVL0
Reset					R/W	R/W	R/W	R/W
Reset					0	0	0	0
Bit	15	14	13	12	11	10	9	8
Access								
Reset								
Bit	7	6	5	4	3	2	1	0
Access					FPVH3	FPVH2	FPVH1	FPVH0
Reset					R/W	R/W	R/W	R/W
Reset					0	0	0	0

#### Bits 16, 17, 18, 19 – FPVLx Fault Protection Value for PWML output on channel x

This bit is taken into account only if the bit FPZLx is set to '0' in [PWM Fault Protection Value Register 2](#).

Value	Description
0	PWML output of channel x is forced to '0' when fault occurs.
1	PWML output of channel x is forced to '1' when fault occurs.

#### Bits 0, 1, 2, 3 – FPVHx Fault Protection Value for PWMH output on channel x

This bit is taken into account only if the bit FPZHx is set to '0' in [PWM Fault Protection Value Register 2](#).

Value	Description
0	PWMH output of channel x is forced to '0' when fault occurs.
1	PWMH output of channel x is forced to '1' when fault occurs.



## 40.7.28 PWM Fault Protection Enable Register

**Name:** PWM\_FPE  
**Offset:** 0x6C  
**Reset:** 0x00000000  
**Property:** Read/Write

This register can only be written if bits WPSWS5 and WPHWS5 are cleared in the [PWM Write Protection Status Register](#).

Only the first 7 bits (number of fault input pins) of the register fields are significant.

Refer to [Section 6.4 “Fault Inputs”](#) for details on fault generation.

Bit	31	30	29	28	27	26	25	24
	FPE3[7:0]							
Access	R/W	R/W	R/W	R/W	R/W	R/W	R/W	R/W
Reset	0	0	0	0	0	0	0	0
Bit	23	22	21	20	19	18	17	16
	FPE2[7:0]							
Access	R/W	R/W	R/W	R/W	R/W	R/W	R/W	R/W
Reset	0	0	0	0	0	0	0	0
Bit	15	14	13	12	11	10	9	8
	FPE1[7:0]							
Access	R/W	R/W	R/W	R/W	R/W	R/W	R/W	R/W
Reset	0	0	0	0	0	0	0	0
Bit	7	6	5	4	3	2	1	0
	FPE0[7:0]							
Access	R/W	R/W	R/W	R/W	R/W	R/W	R/W	R/W
Reset	0	0	0	0	0	0	0	0

### Bits 0:7, 8:15, 16:23, 24:31 – FPE<sub>x</sub> Fault Protection Enable for channel x

For each bit y of FPE<sub>x</sub>, where y is the fault input number:

0: Fault y is not used for the fault protection of channel x.

1: Fault y is used for the fault protection of channel x.



To prevent an unexpected activation of the fault protection, the bit y of FPE<sub>x</sub> field can be set to '1' only if the corresponding FPOL field has been previously configured to its final value in [PWM Fault Mode Register](#).

### 40.7.29 PWM Event Line x Mode Register

**Name:** PWM\_ELMRx  
**Offset:** 0x7C + x\*0x04 [x=0..1]  
**Reset:** 0x00000000  
**Property:** Read/Write

Bit	31	30	29	28	27	26	25	24
Access								
Reset								
Bit	23	22	21	20	19	18	17	16
Access								
Reset								
Bit	15	14	13	12	11	10	9	8
Access								
Reset								
Bit	7	6	5	4	3	2	1	0
Access	CSEL7	CSEL6	CSEL5	CSEL4	CSEL3	CSEL2	CSEL1	CSEL0
Reset	R/W	R/W	R/W	R/W	R/W	R/W	R/W	R/W
Reset	0	0	0	0	0	0	0	0

#### Bits 0, 1, 2, 3, 4, 5, 6, 7 - CSELy Comparison y Selection

Value	Description
0	A pulse is not generated on the event line x when the comparison y matches.
1	A pulse is generated on the event line x when the comparison y match.

### 40.7.30 PWM Spread Spectrum Register

**Name:** PWM\_SSPR  
**Offset:** 0xA0  
**Reset:** 0x00000000  
**Property:** Read/Write

This register can only be written if bits WPSWS3 and WPHWS3 are cleared in the [PWM Write Protection Status Register](#).

Only the first 16 bits (channel counter size) are significant.

Bit	31	30	29	28	27	26	25	24
								SPRDM
Access								R/W
Reset								0
Bit	23	22	21	20	19	18	17	16
	SPRD[23:16]							
Access	R/W	R/W	R/W	R/W	R/W	R/W	R/W	R/W
Reset	0	0	0	0	0	0	0	0
Bit	15	14	13	12	11	10	9	8
	SPRD[15:8]							
Access	R/W	R/W	R/W	R/W	R/W	R/W	R/W	R/W
Reset	0	0	0	0	0	0	0	0
Bit	7	6	5	4	3	2	1	0
	SPRD[7:0]							
Access	R/W	R/W	R/W	R/W	R/W	R/W	R/W	R/W
Reset	0	0	0	0	0	0	0	0

#### Bit 24 – SPRDM Spread Spectrum Counter Mode

Value	Description
0	Triangular mode. The spread spectrum counter starts to count from -SPRD when the channel 0 is enabled and counts upwards at each PWM period. When it reaches +SPRD, it restarts to count from -SPRD again.
1	Random mode. The spread spectrum counter is loaded with a new random value at each PWM period. This random value is uniformly distributed and is between -SPRD and +SPRD.

#### Bits 23:0 – SPRD[23:0] Spread Spectrum Limit Value

The spread spectrum limit value defines the range for the spread spectrum counter. It is introduced in order to achieve constant varying PWM period for the output waveform.

### 40.7.31 PWM Spread Spectrum Update Register

**Name:** PWM\_SSPUP  
**Offset:** 0xA4  
**Reset:** -  
**Property:** Write-only

This register can only be written if bits WPSWS3 and WPHWS3 are cleared in the [PWM Write Protection Status Register](#).

This register acts as a double buffer for the SPRD value. This prevents an unexpected waveform when modifying the spread spectrum limit value.

Only the first 16 bits (channel counter size) are significant.

Bit	31	30	29	28	27	26	25	24
Access								
Reset								
Bit	23	22	21	20	19	18	17	16
	SPRDUP[23:16]							
Access	W	W	W	W	W	W	W	W
Reset	-	-	-	-	-	-	-	-
Bit	15	14	13	12	11	10	9	8
	SPRDUP[15:8]							
Access	W	W	W	W	W	W	W	W
Reset	-	-	-	-	-	-	-	-
Bit	7	6	5	4	3	2	1	0
	SPRDUP[7:0]							
Access	W	W	W	W	W	W	W	W
Reset	-	-	-	-	-	-	-	-

#### Bits 23:0 – SPRDUP[23:0] Spread Spectrum Limit Value Update

The spread spectrum limit value defines the range for the spread spectrum counter. It is introduced in order to achieve constant varying period for the output waveform.

### 40.7.32 PWM Stepper Motor Mode Register

**Name:** PWM\_SMMR  
**Offset:** 0xB0  
**Reset:** 0x00000000  
**Property:** Read/Write

Bit	31	30	29	28	27	26	25	24
Access								
Reset								
Bit	23	22	21	20	19	18	17	16
Access							DOWN1	DOWN0
Reset							R/W 0	R/W 0
Bit	15	14	13	12	11	10	9	8
Access								
Reset								
Bit	7	6	5	4	3	2	1	0
Access							GCEN1	GCEN0
Reset							R/W 0	R/W 0

#### Bits 16, 17 – DOWNx Down Count

Value	Description
0	Up counter.
1	Down counter.

#### Bits 0, 1 – GCENx Gray Count Enable

Value	Description
0	Disable Gray count generation on PWML[2*x], PWMH[2*x], PWML[2*x + 1], PWMH[2*x + 1]
1	Enable Gray count generation on PWML[2*x], PWMH[2*x], PWML[2*x + 1], PWMH[2*x + 1].

### 40.7.33 PWM Fault Protection Value Register 2

**Name:** PWM\_FPV2  
**Offset:** 0xC0  
**Reset:** 0x000F000F  
**Property:** Read/Write

This register can only be written if bits WPSWS5 and WPHWS5 are cleared in the [PWM Write Protection Status Register](#).

Bit	31	30	29	28	27	26	25	24
Access								
Reset								
Bit	23	22	21	20	19	18	17	16
Access					FPZL3	FPZL2	FPZL1	FPZL0
Reset					R/W	R/W	R/W	R/W
					1	1	1	1
Bit	15	14	13	12	11	10	9	8
Access								
Reset								
Bit	7	6	5	4	3	2	1	0
Access					FPZH3	FPZH2	FPZH1	FPZH0
Reset					R/W	R/W	R/W	R/W
					1	1	1	1

#### Bits 16, 17, 18, 19 – FPZLx Fault Protection to Hi-Z for PWML output on channel x

Value	Description
0	When fault occurs, PWML output of channel x is forced to value defined by the bit FPVLx in <a href="#">PWM Fault Protection Value Register 1</a> .
1	When fault occurs, PWML output of channel x is forced to high-impedance state.

#### Bits 0, 1, 2, 3 – FPZHx Fault Protection to Hi-Z for PWMH output on channel x

Value	Description
0	When fault occurs, PWMH output of channel x is forced to value defined by the bit FPVHx in <a href="#">PWM Fault Protection Value Register 1</a> .
1	When fault occurs, PWMH output of channel x is forced to high-impedance state.

### 40.7.34 PWM Write Protection Control Register

**Name:** PWM\_WPCR  
**Offset:** 0xE4  
**Reset:** –  
**Property:** Write-only

See [Register Write Protection](#) for the list of registers that can be write-protected.

Bit	31	30	29	28	27	26	25	24
	WPKEY[23:16]							
Access	W	W	W	W	W	W	W	W
Reset	–	–	–	–	–	–	–	–
Bit	23	22	21	20	19	18	17	16
	WPKEY[15:8]							
Access	W	W	W	W	W	W	W	W
Reset	–	–	–	–	–	–	–	–
Bit	15	14	13	12	11	10	9	8
	WPKEY[7:0]							
Access	W	W	W	W	W	W	W	W
Reset	–	–	–	–	–	–	–	–
Bit	7	6	5	4	3	2	1	0
	WPRG5	WPRG4	WPRG3	WPRG2	WPRG1	WPRG0	WPCMD[1:0]	
Access	W	W	W	W	W	W	W	W
Reset	–	–	–	–	–	–	–	–

#### Bits 31:8 – WPKEY[23:0] Write Protection Key

Value	Name	Description
0x50574D	PASSWD	Writing any other value in this field aborts the write operation of the WPCMD field. Always reads as 0

#### Bits 2, 3, 4, 5, 6, 7 – WPRGx Write Protection Register Group x

Value	Description
0	The WPCMD command has no effect on the register group x.
1	The WPCMD command is applied to the register group x.

#### Bits 1:0 – WPCMD[1:0] Write Protection Command

This command is performed only if the WPKEY corresponds to 0x50574D (“PWM” in ASCII).

Value	Name	Description
0	DISABLE_SW_PROT	Disables the software write protection of the register groups of which the bit WPRGx is at ‘1’.
1	ENABLE_SW_PROT	Enables the software write protection of the register groups of which the bit WPRGx is at ‘1’.
2	ENABLE_HW_PROT	Enables the hardware write protection of the register groups of which the bit WPRGx is at ‘1’. Only a hardware reset of the PWM controller can disable the hardware write protection. Moreover, to meet security requirements, the PIO lines associated with the PWM can not be configured through the PIO interface.

### 40.7.35 PWM Write Protection Status Register

**Name:** PWM\_WPSR  
**Offset:** 0xE8  
**Reset:** 0x00000000  
**Property:** Read-only

Bit	31	30	29	28	27	26	25	24
	WPVSR[15:8]							
Access	R	R	R	R	R	R	R	R
Reset	0	0	0	0	0	0	0	0
Bit	23	22	21	20	19	18	17	16
	WPVSR[7:0]							
Access	R	R	R	R	R	R	R	R
Reset	0	0	0	0	0	0	0	0
Bit	15	14	13	12	11	10	9	8
			WPHWS5	WPHWS4	WPHWS3	WPHWS2	WPHWS1	WPHWS0
Access			R	R	R	R	R	R
Reset			0	0	0	0	0	0
Bit	7	6	5	4	3	2	1	0
	WPVS		WPSWS5	WPSWS4	WPSWS3	WPSWS2	WPSWS1	WPSWS0
Access	R		R	R	R	R	R	R
Reset	0		0	0	0	0	0	0

#### Bits 31:16 – WPVSR[15:0] Write Protect Violation Source

When WPVS = 1, WPVSR indicates the register address offset at which a write access has been attempted.

#### Bits 8, 9, 10, 11, 12, 13 – WPHWSx Write Protect HW Status

Value	Description
0	The HW write protection x of the register group x is disabled.
1	The HW write protection x of the register group x is enabled.

#### Bit 7 – WPVS Write Protect Violation Status

Value	Description
0	No write protection violation has occurred since the last read of PWM_WPSR.
1	At least one write protection violation has occurred since the last read of PWM_WPSR. If this violation is an unauthorized attempt to write a protected register, the associated violation is reported into field WPVSR.

#### Bits 0, 1, 2, 3, 4, 5 – WPSWSx Write Protect SW Status

Value	Description
0	The SW write protection x of the register group x is disabled.
1	The SW write protection x of the register group x is enabled.



### 40.7.36 PWM Comparison x Value Register

**Name:** PWM\_CMPVx  
**Offset:** 0x0130 + x\*0x10 [x=0..7]  
**Reset:** 0x00000000  
**Property:** Read/Write

Only the first 16 bits (channel counter size) of field CV are significant.

Bit	31	30	29	28	27	26	25	24
								CVM
Access								R/W
Reset								0
Bit	23	22	21	20	19	18	17	16
	CV[23:16]							
Access	R/W	R/W	R/W	R/W	R/W	R/W	R/W	R/W
Reset	0	0	0	0	0	0	0	0
Bit	15	14	13	12	11	10	9	8
	CV[15:8]							
Access	R/W	R/W	R/W	R/W	R/W	R/W	R/W	R/W
Reset	0	0	0	0	0	0	0	0
Bit	7	6	5	4	3	2	1	0
	CV[7:0]							
Access	R/W	R/W	R/W	R/W	R/W	R/W	R/W	R/W
Reset	0	0	0	0	0	0	0	0

#### Bit 24 – CVM Comparison x Value Mode

Value	Description
0	The comparison x between the counter of the channel 0 and the comparison x value is performed when this counter is incrementing.
1	The comparison x between the counter of the channel 0 and the comparison x value is performed when this counter is decrementing.  Note: This bit is not relevant if the counter of the channel 0 is left-aligned (CALG = 0 in <a href="#">PWM Channel Mode Register</a> )

#### Bits 23:0 – CV[23:0] Comparison x Value

Define the comparison x value to be compared with the counter of the channel 0.

### 40.7.37 PWM Comparison x Value Update Register

**Name:** PWM\_CMPVUPDx  
**Offset:** 0x0134 + x\*0x10 [x=0..7]  
**Reset:** -  
**Property:** Write-only

This register acts as a double buffer for the CV and CVM values. This prevents an unexpected comparison x match.

Only the first 16 bits (channel counter size) of field CVUPD are significant.

**CAUTION** The write of the register PWM\_CMPVUPDx must be followed by a write of the register PWM\_CMPMUPDx.

Bit	31	30	29	28	27	26	25	24
								CVMUPD
Access								W
Reset								-
Bit	23	22	21	20	19	18	17	16
	CVUPD[23:16]							
Access	W	W	W	W	W	W	W	W
Reset	-	-	-	-	-	-	-	-
Bit	15	14	13	12	11	10	9	8
	CVUPD[15:8]							
Access	W	W	W	W	W	W	W	W
Reset	-	-	-	-	-	-	-	-
Bit	7	6	5	4	3	2	1	0
	CVUPD[7:0]							
Access	W	W	W	W	W	W	W	W
Reset	-	-	-	-	-	-	-	-

#### Bit 24 – CVMUPD Comparison x Value Mode Update

**Note:** This bit is not relevant if the counter of the channel 0 is left-aligned (CALG = 0 in [PWM Channel Mode Register](#))

Value	Description
0	The comparison x between the counter of the channel 0 and the comparison x value is performed when this counter is incrementing.
1	The comparison x between the counter of the channel 0 and the comparison x value is performed when this counter is decrementing.

#### Bits 23:0 – CVUPD[23:0] Comparison x Value Update

Defines the comparison x value to be compared with the counter of the channel 0.

### 40.7.38 PWM Comparison x Mode Register

**Name:** PWM\_CMPMx  
**Offset:** 0x0138 + x\*0x10 [x=0..7]  
**Reset:** 0x00000000  
**Property:** Read/Write

Bit	31	30	29	28	27	26	25	24
Access								
Reset								
Bit	23	22	21	20	19	18	17	16
Access	CUPRCNT[3:0]				CUPR[3:0]			
Reset	R/W	R/W	R/W	R/W	R/W	R/W	R/W	R/W
Reset	0	0	0	0	0	0	0	0
Bit	15	14	13	12	11	10	9	8
Access	CPRCNT[3:0]				CPR[3:0]			
Reset	R/W	R/W	R/W	R/W	R/W	R/W	R/W	R/W
Reset	0	0	0	0	0	0	0	0
Bit	7	6	5	4	3	2	1	0
Access	CTR[3:0]							CEN
Reset	R/W	R/W	R/W	R/W				R/W
Reset	0	0	0	0				0

**Bits 23:20 – CUPRCNT[3:0]** Comparison x Update Period Counter  
 Reports the value of the comparison x update period counter.  
 Note: The field CUPRCNT is read-only

**Bits 19:16 – CUPR[3:0]** Comparison x Update Period  
 Defines the time between each update of the comparison x mode and the comparison x value. This time is equal to CUPR+1 periods of the channel 0 counter.

**Bits 15:12 – CPRCNT[3:0]** Comparison x Period Counter  
 Reports the value of the comparison x period counter.  
 Note: The field CPRCNT is read-only

**Bits 11:8 – CPR[3:0]** Comparison x Period  
 CPR defines the maximum value of the comparison x period counter (CPRCNT). The comparison x value is performed periodically once every CPR+1 periods of the channel 0 counter.

**Bits 7:4 – CTR[3:0]** Comparison x Trigger  
 The comparison x is performed when the value of the comparison x period counter (CPRCNT) reaches the value defined by CTR.

**Bit 0 – CEN** Comparison x Enable

Value	Description
0	The comparison x is disabled and can not match.
1	The comparison x is enabled and can match.

### 40.7.39 PWM Comparison x Mode Update Register

**Name:** PWM\_CMPMUPDx  
**Offset:** 0x013C + x\*0x10 [x=0..7]  
**Reset:** -  
**Property:** Write-only

This register acts as a double buffer for the CEN, CTR, CPR and CUPR values. This prevents an unexpected comparison x match.

Bit	31	30	29	28	27	26	25	24
Access								
Reset								
Bit	23	22	21	20	19	18	17	16
Access					CUPRUPD[3:0]			
Reset					W	W	W	W
Bit	15	14	13	12	11	10	9	8
Access					CPRUPD[3:0]			
Reset					W	W	W	W
Bit	7	6	5	4	3	2	1	0
Access	CTRUPD[3:0]							CENUPD
Reset	W	W	W	W				W
Reset	-	-	-	-				-

#### Bits 19:16 – CUPRUPD[3:0] Comparison x Update Period Update

Defines the time between each update of the comparison x mode and the comparison x value. This time is equal to CUPR+1 periods of the channel 0 counter.

#### Bits 11:8 – CPRUPD[3:0] Comparison x Period Update

CPR defines the maximum value of the comparison x period counter (CPRCNT). The comparison x value is performed periodically once every CPR+1 periods of the channel 0 counter.

#### Bits 7:4 – CTRUPD[3:0] Comparison x Trigger Update

The comparison x is performed when the value of the comparison x period counter (CPRCNT) reaches the value defined by CTR.

#### Bit 0 – CENUPD Comparison x Enable Update

Value	Description
0	The comparison x is disabled and can not match.
1	The comparison x is enabled and can match.

#### 40.7.40 PWM Channel Mode Register

**Name:** PWM\_CMRx  
**Offset:** 0x0200 + x\*0x20 [x=0..3]  
**Reset:** 0x00000000  
**Property:** Read/Write

This register can only be written if bits WPSWS2 and WPHWS2 are cleared in the [PWM Write Protection Status Register](#).

Bit	31	30	29	28	27	26	25	24
Access								
Reset								
Bit	23	22	21	20	19	18	17	16
Access					PPM	DTLI	DTHI	DTE
Reset					R/W	R/W	R/W	R/W
					0	0	0	0
Bit	15	14	13	12	11	10	9	8
Access			TCTS	DPOLI	UPDS	CES	CPOL	CALG
Reset			R/W	R/W	R/W	R/W	R/W	R/W
			0	0	0	0	0	0
Bit	7	6	5	4	3	2	1	0
Access					CPRE[3:0]			
Reset					R/W	R/W	R/W	R/W
					0	0	0	0

##### Bit 19 – PPM Push-Pull Mode

The Push-Pull mode is enabled for channel x.

Value	Description
0	The Push-Pull mode is disabled for channel x.
1	The Push-Pull mode is enabled for channel x.

##### Bit 18 – DTLI Dead-Time PWMLx Output Inverted

Value	Description
0	The dead-time PWMLx output is not inverted.
1	The dead-time PWMLx output is inverted.

##### Bit 17 – DTHI Dead-Time PWMHx Output Inverted

Value	Description
0	The dead-time PWMHx output is not inverted.
1	The dead-time PWMHx output is inverted.

##### Bit 16 – DTE Dead-Time Generator Enable

Value	Description
0	The dead-time generator is disabled.
1	The dead-time generator is enabled.

##### Bit 13 – TCTS Timer Counter Trigger Selection

Value	Description
0	The comparator of the channel x (OCx) is used as the trigger source for the Timer Counter (TC).
1	The counter events of the channel x is used as the trigger source for the Timer Counter (TC).

**Bit 12 – DPOLI** Disabled Polarity Inverted

Value	Description
0	When the PWM channel x is disabled ( $CHIDx(PWM\_SR) = 0$ ), the OCx output waveform is the same as the one defined by the CPOL bit.
1	When the PWM channel x is disabled ( $CHIDx(PWM\_SR) = 0$ ), the OCx output waveform is inverted compared to the one defined by the CPOL bit.

**Bit 11 – UPDS** Update Selection

If the PWM period is center-aligned ( $CALG=1$ ):

0: The update occurs at the next end of the PWM period after writing the update register(s).

1: The update occurs at the next end of the PWM half period after writing the update register(s).

If the PWM period is left-aligned ( $CALG=0$ ), the update always occurs at the end of the PWM period after writing the update register(s).

**Bit 10 – CES** Counter Event Selection

If the PWM period is center-aligned ( $CALG=1$ ):

0: The channel counter event occurs at the end of the PWM period.

1: The channel counter event occurs at the end of the PWM period and at half the PWM period.

If the PWM period is left-aligned ( $CALG=0$ ), the channel counter event occurs at the end of the period and the CES bit has no effect.

**Bit 9 – CPOL** Channel Polarity

Value	Description
0	The OCx output waveform (output from the comparator) starts at a low level.
1	The OCx output waveform (output from the comparator) starts at a high level.

**Bit 8 – CALG** Channel Alignment

Value	Description
0	The period is left-aligned.
1	The period is center-aligned.

**Bits 3:0 – CPRE[3:0]** Channel Prescaler

Value	Name	Description
	MCK	Peripheral clock
1	MCK_DIV_2	Peripheral clock/2
2	MCK_DIV_4	Peripheral clock/4
3	MCK_DIV_8	Peripheral clock/8
4	MCK_DIV_16	Peripheral clock/16
5	MCK_DIV_32	Peripheral clock/32
6	MCK_DIV_64	Peripheral clock/64
7	MCK_DIV_128	Peripheral clock/128
8	MCK_DIV_256	Peripheral clock/256
9	MCK_DIV_512	Peripheral clock/512
10	MCK_DIV_1024	Peripheral clock/1024
11	CLKA	Clock A
12	CLKB	Clock B

#### 40.7.41 PWM Channel Duty Cycle Register

**Name:** PWM\_CDTYx  
**Offset:** 0x0204 + x\*0x20 [x=0..3]  
**Reset:** 0x00000000  
**Property:** Read/Write

Only the first 16 bits (channel counter size) are significant.

Bit	31	30	29	28	27	26	25	24
Access								
Reset								
Bit	23	22	21	20	19	18	17	16
	CDTY[23:16]							
Access	R/W	R/W	R/W	R/W	R/W	R/W	R/W	R/W
Reset	0	0	0	0	0	0	0	0
Bit	15	14	13	12	11	10	9	8
	CDTY[15:8]							
Access	R/W	R/W	R/W	R/W	R/W	R/W	R/W	R/W
Reset	0	0	0	0	0	0	0	0
Bit	7	6	5	4	3	2	1	0
	CDTY[7:0]							
Access	R/W	R/W	R/W	R/W	R/W	R/W	R/W	R/W
Reset	0	0	0	0	0	0	0	0

#### Bits 23:0 – CDTY[23:0] Channel Duty-Cycle

Defines the waveform duty-cycle. This value must be defined between 0 and CPRD (PWM\_CPRDx).

#### 40.7.42 PWM Channel Duty Cycle Update Register

**Name:** PWM\_CDTYUPDx  
**Offset:** 0x0208 + x\*0x20 [x=0..3]  
**Reset:** -  
**Property:** Write-only

This register acts as a double buffer for the CDTY value. This prevents an unexpected waveform when modifying the waveform duty-cycle.

Only the first 16 bits (channel counter size) are significant.

Bit	31	30	29	28	27	26	25	24
Access								
Reset								
Bit	23	22	21	20	19	18	17	16
Access	CDTYUPD[23:16]							
Reset	W	W	W	W	W	W	W	W
Reset	-	-	-	-	-	-	-	-
Bit	15	14	13	12	11	10	9	8
Access	CDTYUPD[15:8]							
Reset	W	W	W	W	W	W	W	W
Reset	-	-	-	-	-	-	-	-
Bit	7	6	5	4	3	2	1	0
Access	CDTYUPD[7:0]							
Reset	W	W	W	W	W	W	W	W
Reset	-	-	-	-	-	-	-	-

#### Bits 23:0 - CDTYUPD[23:0] Channel Duty-Cycle Update

Defines the waveform duty-cycle. This value must be defined between 0 and CPRD (PWM\_CPRDx).



### 40.7.43 PWM Channel Period Register

**Name:** PWM\_CPRDx  
**Offset:** 0x020C + x\*0x20 [x=0..3]  
**Reset:** 0x00000000  
**Property:** Read/Write

This register can only be written if bits WPSWS3 and WPHWS3 are cleared in the [PWM Write Protection Status Register](#).

Only the first 16 bits (channel counter size) are significant.

Bit	31	30	29	28	27	26	25	24
Access								
Reset								
Bit	23	22	21	20	19	18	17	16
Access	CPRD[23:16]							
Reset	R/W	R/W	R/W	R/W	R/W	R/W	R/W	R/W
Reset	0	0	0	0	0	0	0	0
Bit	15	14	13	12	11	10	9	8
Access	CPRD[15:8]							
Reset	R/W	R/W	R/W	R/W	R/W	R/W	R/W	R/W
Reset	0	0	0	0	0	0	0	0
Bit	7	6	5	4	3	2	1	0
Access	CPRD[7:0]							
Reset	R/W	R/W	R/W	R/W	R/W	R/W	R/W	R/W
Reset	0	0	0	0	0	0	0	0

#### Bits 23:0 – CPRD[23:0] Channel Period

If the waveform is left-aligned, then the output waveform period depends on the channel counter source clock and can be calculated:

– By using the PWM peripheral clock divided by a given prescaler value “X” (where  $X = 2^{\text{PREA}}$  is 1, 2, 4, 8, 16, 32, 64, 128, 256, 512, or 1024). The resulting period formula is:

$$\frac{(X \times \text{CPRD})}{f_{\text{peripheral clock}}}$$

– By using the PWM peripheral clock divided by a given prescaler value “X” (see above) and by either the DIVA or the DIVB divider. The formula becomes, respectively:

$$\frac{(X \times \text{CPRD} \times \text{DIVA})}{f_{\text{peripheral clock}}} \text{ or } \frac{(X \times \text{CPRD} \times \text{DIVB})}{f_{\text{peripheral clock}}}$$

If the waveform is center-aligned, then the output waveform period depends on the channel counter source clock and can be calculated:

– By using the PWM peripheral clock divided by a given prescaler value “X” (where  $X = 2^{\text{PREA}}$  is 1, 2, 4, 8, 16, 32, 64, 128, 256, 512, or 1024). The resulting period formula is:

$$\frac{(2 \times X \times \text{CPRD})}{f_{\text{peripheral clock}}}$$

– By using the PWM peripheral clock divided by a given prescaler value “X” (see above) and by either the DIVA or the DIVB divider. The formula becomes, respectively:

$$\frac{(2 \times X \times \text{CPRD} \times \text{DIVA})}{f_{\text{peripheral clock}}} \text{ or } \frac{(2 \times X \times \text{CPRD} \times \text{DIVB})}{f_{\text{peripheral clock}}}$$

#### 40.7.44 PWM Channel Period Update Register

**Name:** PWM\_CPRDUPDx  
**Offset:** 0x0210 + x\*0x20 [x=0..3]  
**Reset:** –  
**Property:** Write-only

This register can only be written if bits WPSWS3 and WPHWS3 are cleared in the [PWM Write Protection Status Register](#).

This register acts as a double buffer for the CPRD value. This prevents an unexpected waveform when modifying the waveform period.

Only the first 16 bits (channel counter size) are significant.

Bit	31	30	29	28	27	26	25	24
Access								
Reset								
Bit	23	22	21	20	19	18	17	16
Access	CPRDUPD[23:16]							
Reset	W	W	W	W	W	W	W	W
Reset	–	–	–	–	–	–	–	–
Bit	15	14	13	12	11	10	9	8
Access	CPRDUPD[15:8]							
Reset	W	W	W	W	W	W	W	W
Reset	–	–	–	–	–	–	–	–
Bit	7	6	5	4	3	2	1	0
Access	CPRDUPD[7:0]							
Reset	W	W	W	W	W	W	W	W
Reset	–	–	–	–	–	–	–	–

##### Bits 23:0 – CPRDUPD[23:0] Channel Period Update

If the waveform is left-aligned, then the output waveform period depends on the channel counter source clock and can be calculated:

– By using the PWM peripheral clock divided by a given prescaler value “X” (where  $X = 2^{\text{PREA}}$  is 1, 2, 4, 8, 16, 32, 64, 128, 256, 512, or 1024). The resulting period formula is:

$$\frac{(X \times \text{CPRDUPD})}{f_{\text{peripheral clock}}}$$

– By using the PWM peripheral clock divided by a given prescaler value “X” (see above) and by either the DIVA or the DIVB divider. The formula becomes, respectively:

$$\frac{(X \times \text{CPRDUPD} \times \text{DIVA})}{f_{\text{peripheral clock}}} \text{ or } \frac{(X \times \text{CPRDUPD} \times \text{DIVB})}{f_{\text{peripheral clock}}}$$

If the waveform is center-aligned, then the output waveform period depends on the channel counter source clock and can be calculated:

– By using the PWM peripheral clock divided by a given prescaler value “X” (where  $X = 2^{\text{PREA}}$  is 1, 2, 4, 8, 16, 32, 64, 128, 256, 512, or 1024). The resulting period formula is:

$$\frac{(2 \times X \times \text{CPRDUPD})}{f_{\text{peripheral clock}}}$$

$f_{\text{peripheral clock}}$

- By using the PWM peripheral clock divided by a given prescaler value "X" (see above) and by either the DIVA or the DIVB divider. The formula becomes, respectively:

$$\frac{(2 \times X \times \text{CPRDUPD} \times \text{DIVA})}{f_{\text{peripheral clock}}} \text{ or } \frac{(2 \times X \times \text{CPRDUPD} \times \text{DIVB})}{f_{\text{peripheral clock}}}$$

#### 40.7.45 PWM Channel Counter Register

**Name:** PWM\_CCNTx  
**Offset:** 0x0214 + x\*0x20 [x=0..3]  
**Reset:** 0x00000000  
**Property:** Read-only

Only the first 16 bits (channel counter size) are significant.

Bit	31	30	29	28	27	26	25	24
Access								
Reset								
Bit	23	22	21	20	19	18	17	16
	CNT[23:16]							
Access	R	R	R	R	R	R	R	R
Reset	0	0	0	0	0	0	0	0
Bit	15	14	13	12	11	10	9	8
	CNT[15:8]							
Access	R	R	R	R	R	R	R	R
Reset	0	0	0	0	0	0	0	0
Bit	7	6	5	4	3	2	1	0
	CNT[7:0]							
Access	R	R	R	R	R	R	R	R
Reset	0	0	0	0	0	0	0	0

#### Bits 23:0 – CNT[23:0] Channel Counter Register

Channel counter value. This register is reset when:

- the channel is enabled (writing CHIDx in the PWM\_ENA register).
- the channel counter reaches CPRD value defined in the PWM\_CPRDx register if the waveform is left-aligned.

#### 40.7.46 PWM Channel Dead Time Register

**Name:** PWM\_DT<sub>x</sub>  
**Offset:** 0x0218 + x\*0x20 [x=0..3]  
**Reset:** 0x00000000  
**Property:** Read/Write

This register can only be written if bits WPSWS4 and WPHWS4 are cleared in the [PWM Write Protection Status Register](#).

Only the first 12 bits (dead-time counter size) of fields DTH and DTL are significant.

Bit	31	30	29	28	27	26	25	24
	DTL[15:8]							
Access	R/W	R/W	R/W	R/W	R/W	R/W	R/W	R/W
Reset	0	0	0	0	0	0	0	0
Bit	23	22	21	20	19	18	17	16
	DTL[7:0]							
Access	R/W	R/W	R/W	R/W	R/W	R/W	R/W	R/W
Reset	0	0	0	0	0	0	0	0
Bit	15	14	13	12	11	10	9	8
	DTH[15:8]							
Access	R/W	R/W	R/W	R/W	R/W	R/W	R/W	R/W
Reset	0	0	0	0	0	0	0	0
Bit	7	6	5	4	3	2	1	0
	DTH[7:0]							
Access	R/W	R/W	R/W	R/W	R/W	R/W	R/W	R/W
Reset	0	0	0	0	0	0	0	0

##### Bits 31:16 – DTL[15:0] Dead-Time Value for PWML<sub>x</sub> Output

Defines the dead-time value for PWML<sub>x</sub> output. This value must be defined between 0 and CDTY (PWM\_CDTY<sub>x</sub>).

##### Bits 15:0 – DTH[15:0] Dead-Time Value for PWMH<sub>x</sub> Output

Defines the dead-time value for PWMH<sub>x</sub> output. This value must be defined between 0 and the value (CPRD – CDTY) (PWM\_CPRD<sub>x</sub> and PWM\_CDTY<sub>x</sub>).

#### 40.7.47 PWM Channel Dead Time Update Register

**Name:** PWM\_DTUPDx  
**Offset:** 0x021C + x\*0x20 [x=0..3]  
**Reset:** -  
**Property:** Write-only

This register can only be written if bits WPSWS4 and WPHWS4 are cleared in the [PWM Write Protection Status Register](#).

This register acts as a double buffer for the DTH and DTL values. This prevents an unexpected waveform when modifying the dead-time values.

Only the first 12 bits (dead-time counter size) of fields DTHUPD and DTLUPD are significant.

Bit	31	30	29	28	27	26	25	24
	DTLUPD[15:8]							
Access	W	W	W	W	W	W	W	W
Reset	-	-	-	-	-	-	-	-
Bit	23	22	21	20	19	18	17	16
	DTLUPD[7:0]							
Access	W	W	W	W	W	W	W	W
Reset	-	-	-	-	-	-	-	-
Bit	15	14	13	12	11	10	9	8
	DTHUPD[15:8]							
Access	W	W	W	W	W	W	W	W
Reset	-	-	-	-	-	-	-	-
Bit	7	6	5	4	3	2	1	0
	DTHUPD[7:0]							
Access	W	W	W	W	W	W	W	W
Reset	-	-	-	-	-	-	-	-

##### Bits 31:16 – DTLUPD[15:0] Dead-Time Value Update for PWMLx Output

Defines the dead-time value for PWMLx output. This value must be defined between 0 and CDTY (PWM\_CDTYx). This value is applied only at the beginning of the next channel x PWM period.

##### Bits 15:0 – DTHUPD[15:0] Dead-Time Value Update for PWMHx Output

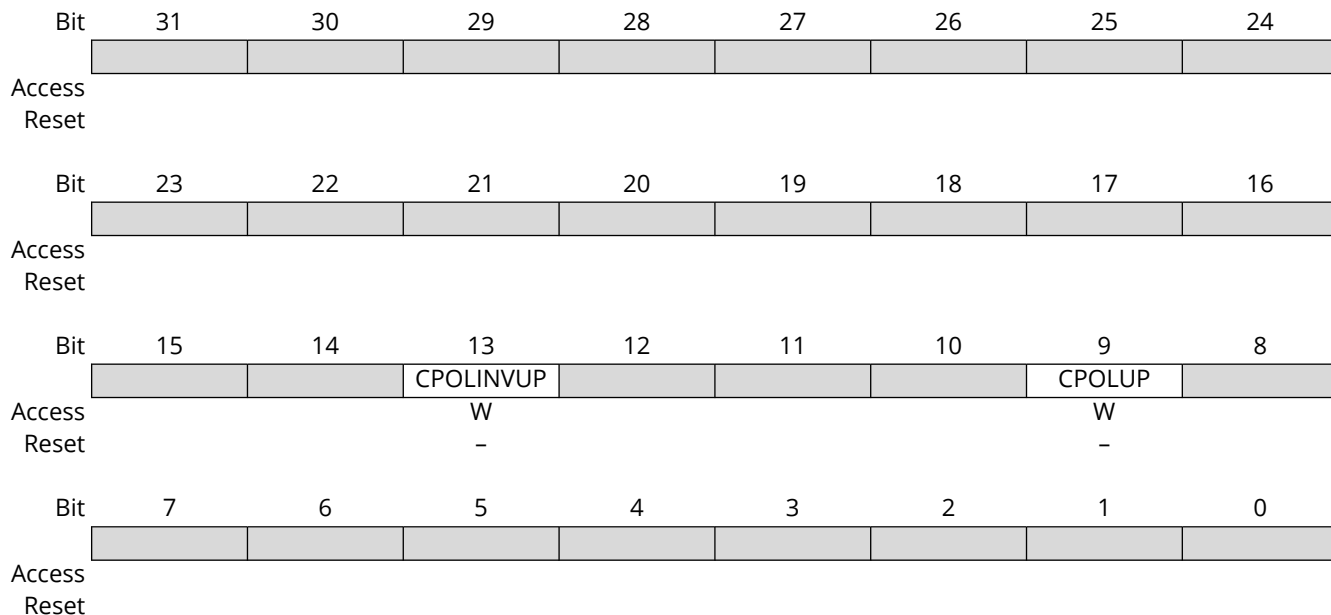
Defines the dead-time value for PWMHx output. This value must be defined between 0 and the value (CPRD – CDTY) (PWM\_CPRDx and PWM\_CDTYx). This value is applied only at the beginning of the next channel x PWM period.

#### 40.7.48 PWM Channel Mode Update Register

**Name:** PWM\_CMUPDx  
**Offset:** 0x0400 + x\*0x20 [x=0..3]  
**Reset:** -  
**Property:** Write-only

This register can only be written if bits WPSWS2 and WPHWS2 are cleared in the [PWM Write Protection Status Register](#).

This register acts as a double buffer for the CPOL value. This prevents an unexpected waveform when modifying the polarity value.



##### Bit 13 - CPOLINVUP Channel Polarity Inversion Update

If this bit is written at '1', the write of the bit CPOLUP is not taken into account.

Value	Description
0	No effect.
1	The OCx output waveform (output from the comparator) is inverted.

##### Bit 9 - CPOLUP Channel Polarity Update

The write of this bit is taken into account only if the bit CPOLINVUP is written at '0' at the same time.

Value	Description
0	The OCx output waveform (output from the comparator) starts at a low level.
1	The OCx output waveform (output from the comparator) starts at a high level.



#### 40.7.49 PWM External Trigger Register

**Name:** PWM\_ETRGx  
**Offset:** 0x042C + (x-1)\*0x20 [x=1..2]  
**Reset:** 0x00000000  
**Property:** Read/Write

Bit	31	30	29	28	27	26	25	24
	RFEN	TRGSRC	TRGFILT	TRGEDGE			TRGMODE[1:0]	
Access	R/W	R/W	R/W	R/W			R/W	R/W
Reset	0	0	0	0			0	0
Bit	23	22	21	20	19	18	17	16
	MAXCNT[23:16]							
Access	R/W	R/W	R/W	R/W	R/W	R/W	R/W	R/W
Reset	0	0	0	0	0	0	0	0
Bit	15	14	13	12	11	10	9	8
	MAXCNT[15:8]							
Access	R/W	R/W	R/W	R/W	R/W	R/W	R/W	R/W
Reset	0	0	0	0	0	0	0	0
Bit	7	6	5	4	3	2	1	0
	MAXCNT[7:0]							
Access	R/W	R/W	R/W	R/W	R/W	R/W	R/W	R/W
Reset	0	0	0	0	0	0	0	0

##### Bit 31 – RFEN Recoverable Fault Enable

Value	Description
0	The TRGINx signal does not generate a recoverable fault.
1	The TRGINx signal generate a recoverable fault in place of the fault x input.

##### Bit 30 – TRGSRC Trigger Source

Value	Description
0	The TRGINx signal is driven by the PWMEXTRGx input.
1	

##### Bit 29 – TRGFILT Filtered input

Value	Description
0	The external trigger input x is not filtered.
1	The external trigger input x is filtered.

##### Bit 28 – TRGEDGE Edge Selection

Value	Name	Description
0	FALLING_ZERO	TRGMODE = 1: TRGINx event detection on falling edge. TRGMODE = 2, 3: TRGINx active level is 0
1	RISING_ONE	TRGMODE = 1: TRGINx event detection on rising edge. TRGMODE = 2, 3: TRGINx active level is 1

##### Bits 25:24 – TRGMODE[1:0] External Trigger Mode

Value	Name	Description
0	OFF	External trigger is not enabled.
1	MODE1	External PWM Reset Mode
2	MODE2	External PWM Start Mode

Value	Name	Description
3	MODE3	Cycle-by-cycle Duty Mode

**Bits 23:0 – MAXCNT[23:0]** Maximum Counter value

Maximum channel x counter value measured at the TRGINx event since the last read of the register. At the TRGINx event, if the channel x counter value is greater than the stored MAXCNT value, then MAXCNT is updated by the channel x counter value.

### 40.7.50 PWM Leading-Edge Blanking Register

**Name:** PWM\_LEBRx  
**Offset:** 0x0430 + (x-1)\*0x20 [x=1..2]  
**Reset:** 0x00000000  
**Property:** Read/Write

Bit	31	30	29	28	27	26	25	24
Access								
Reset								
Bit	23	22	21	20	19	18	17	16
Access					PWMHREN	PWMHFEN	PWMLREN	PWMLFEN
Reset					R/W	R/W	R/W	R/W
					0	0	0	0
Bit	15	14	13	12	11	10	9	8
Access								
Reset								
Bit	7	6	5	4	3	2	1	0
Access		LEBDELAY[6:0]						
Reset		R/W	R/W	R/W	R/W	R/W	R/W	R/W
		0	0	0	0	0	0	0

#### Bit 19 – PWMHREN PWMH Rising Edge Enable

Value	Description
0	Leading-edge blanking is disabled on PWMHx output rising edge.
1	Leading-edge blanking is enabled on PWMHx output rising edge.

#### Bit 18 – PWMHFEN PWMH Falling Edge Enable

Value	Description
0	Leading-edge blanking is disabled on PWMHx output falling edge.
1	Leading-edge blanking is enabled on PWMHx output falling edge.

#### Bit 17 – PWMLREN PWML Rising Edge Enable

Value	Description
0	Leading-edge blanking is disabled on PWMLx output rising edge.
1	Leading-edge blanking is enabled on PWMLx output rising edge.

#### Bit 16 – PWMLFEN PWML Falling Edge Enable

Value	Description
0	Leading-edge blanking is disabled on PWMLx output falling edge.
1	Leading-edge blanking is enabled on PWMLx output falling edge.

#### Bits 6:0 – LEBDELAY[6:0] Leading-Edge Blanking Delay for TRGINx

Leading-edge blanking duration for external trigger x input. The delay is calculated according to the following formula:

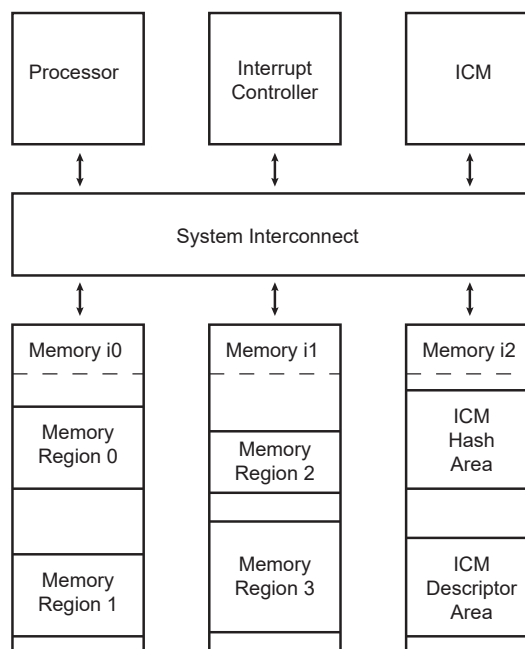
$$\text{LEBDELAY} = (f_{\text{peripheral clock}} \times \text{Delay}) + 1$$

## 41. Integrity Check Monitor (ICM)

### 41.1 Description

The Integrity Check Monitor (ICM) is a DMA controller that performs hash calculation over multiple memory regions through the use of transfer descriptors located in memory (ICM Descriptor Area). The Hash function is based on the Secure Hash Algorithm (SHA). The ICM integrates two modes of operation. The first one is used to hash a list of memory regions and save the digests to memory (ICM Hash Area). The second mode is an active monitoring of the memory. In that mode, the hash function is evaluated and compared to the digest located at a predefined memory address (ICM Hash Area). If a mismatch occurs, an interrupt is raised. See the figure below for an example of four-region monitoring. Hash and Descriptor areas are located in Memory instance i2, and the four regions are split in memory instances i0 and i1.

**Figure 41-1.** Four-region Monitoring Example



The ICM SHA engine is compliant with the American FIPS (Federal Information Processing Standard) Publication 180-2 specification.

The following terms are concise definitions of the ICM concepts used throughout this document:

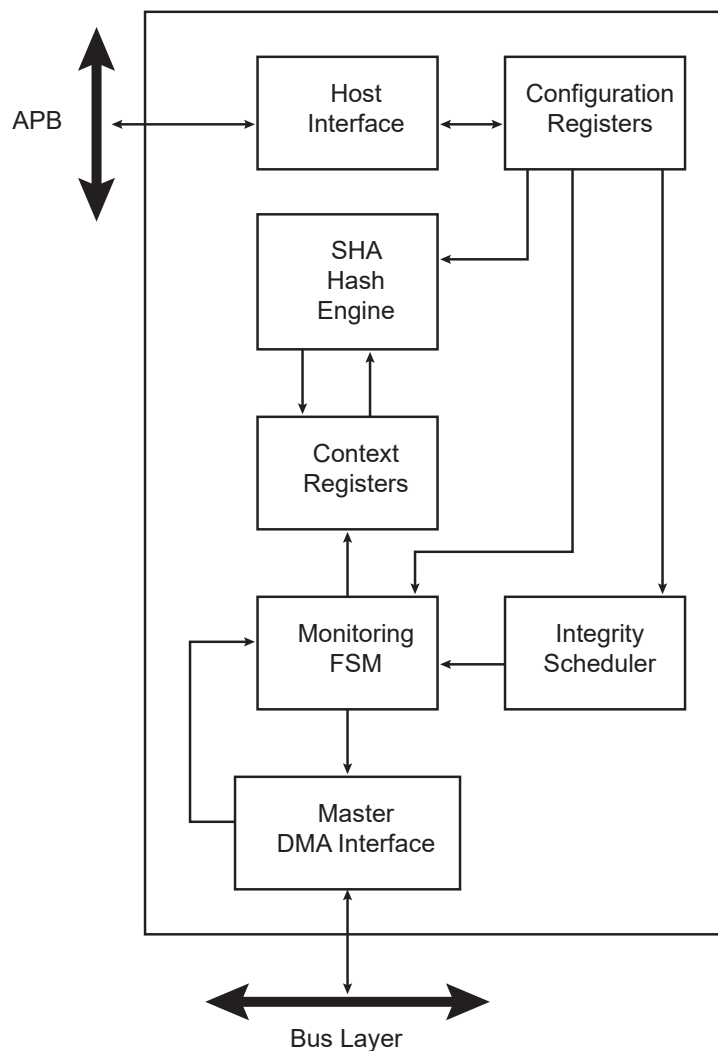
- Region — A partition of instruction or data memory space.
- Region Descriptor — A data structure stored in memory, defining region attributes.
- Region Attributes — Region start address, region size, region SHA engine processing mode, Write Back or Compare function mode.
- Context Registers — A set of ICM non-memory-mapped, internal registers which are automatically loaded, containing the attributes of the region being processed.
- Main List — A list of region descriptors. Each element associates the start address of a region with a set of attributes.
- Secondary List — A linked list defined on a per region basis that describes the memory layout of the region (when the region is non-contiguous).
- Hash Area — predefined memory space where the region hash results (digest) are stored.

## 41.2 Embedded Characteristics

- DMA AHB Master Interface
- Supports Monitoring of up to 4 Non-Contiguous Memory Regions
- Supports Block Gathering Using Linked Lists
- Supports Secure Hash Algorithm (SHA1, SHA224, SHA256)
- Compliant with FIPS Publication 180-2
- Configurable Processing Period:
  - When SHA1 algorithm is processed, the runtime period is either 85 or 209 clock cycles.
  - When SHA256 or SHA224 algorithm is processed, the runtime period is either 72 or 194 clock cycles.
- Programmable Bus Burden
- Register Write Protection

## 41.3 Block Diagram

Figure 41-2. ICM Block Diagram



## 41.4 Product Dependencies

### 41.4.1 Power Management

The peripheral clock is not continuously provided to the ICM. The programmer must first enable the ICM clock in the Power Management Controller (PMC) before using the ICM.

### 41.4.2 Interrupt Sources

The ICM interface has an interrupt line connected to the Interrupt Controller.

Handling the ICM interrupt requires programming the interrupt controller before configuring the ICM.

## 41.5 Functional Description

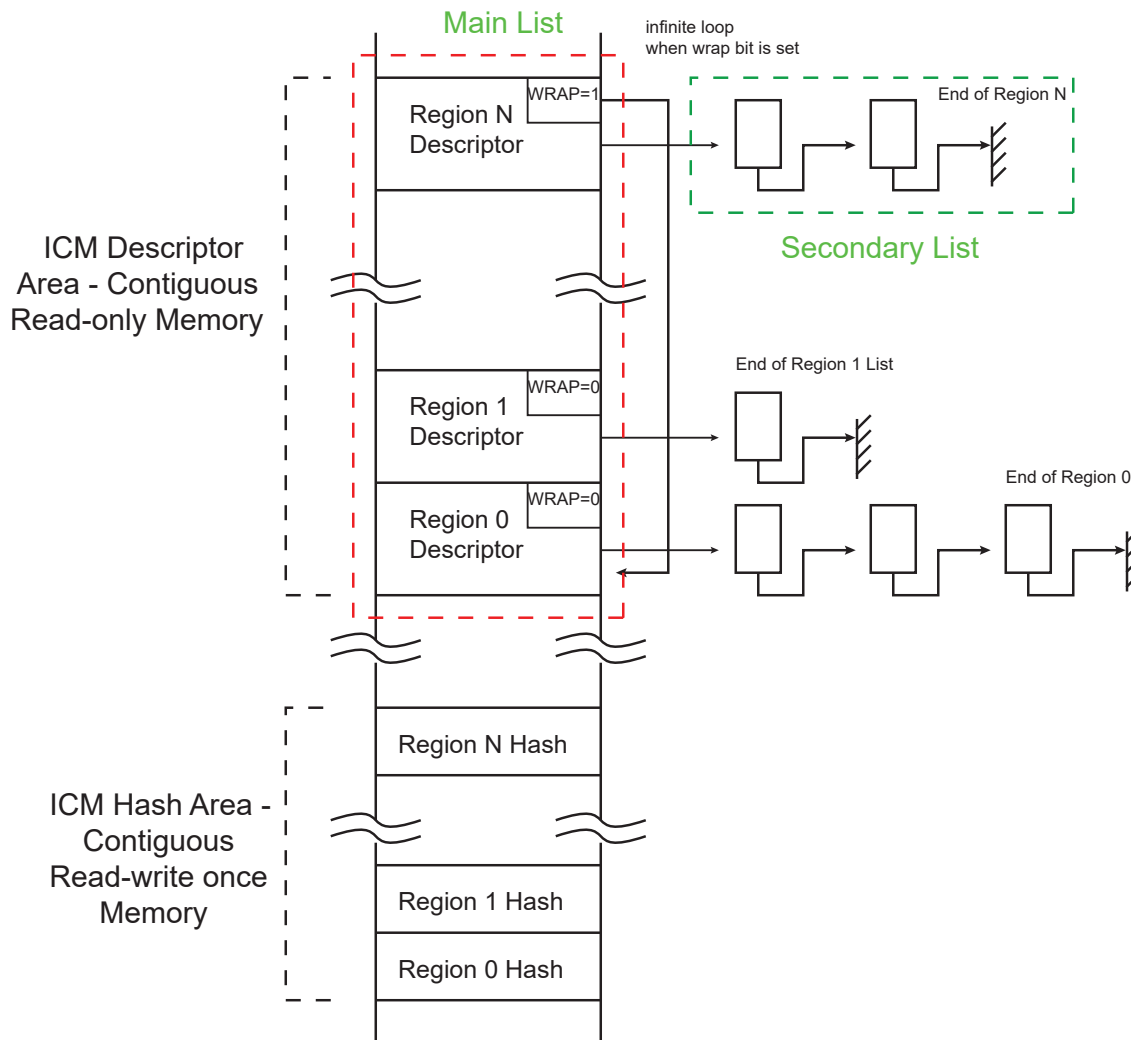
### 41.5.1 Overview

The Integrity Check Monitor (ICM) is a DMA controller that performs SHA-based memory hashing over memory regions. As shown in figure [Integrity Check Monitor Block Diagram](#), it integrates a DMA interface, a Monitoring Finite State Machine (FSM), an integrity scheduler, a set of context registers, a SHA engine, an interface for configuration and status registers.

The ICM integrates a Secure Hash Algorithm engine (SHA). This engine requires a message padded according to FIPS180-2 specification when used as a SHA calculation unit only. Otherwise, if the ICM is used as integrated check for memory content, the padding is not mandatory. The SHA module produces an N-bit message digest each time a block is read and a processing period ends. N is 160 for SHA1, 224 for SHA224, 256 for SHA256.

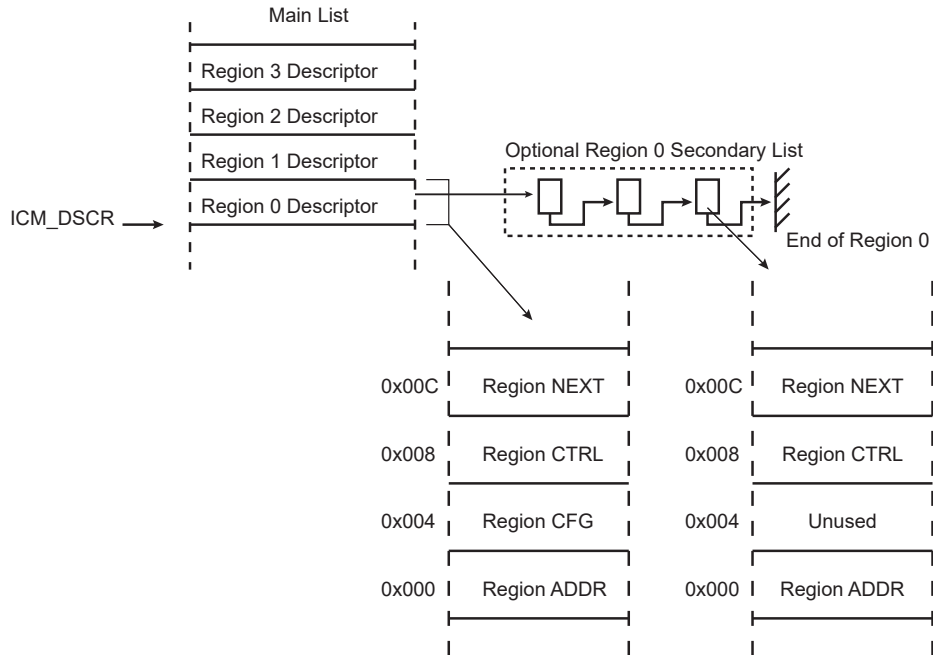
When the ICM module is enabled, it sequentially retrieves a circular list of region descriptors from the memory (Main List described in figure [ICM Region Descriptor and Hash Areas](#)). Up to four regions may be monitored. Each region descriptor is composed of four words indicating the layout of the memory region (see figure [Region Descriptor](#)). It also contains the hashing engine configuration on a per-region basis. As soon as the descriptor is loaded from the memory and context registers are updated with the data structure, the hashing operation starts. A programmable number of blocks (see TRSIZE field of the ICM\_RCTRL structure member) is transferred from the memory to the SHA engine. When the desired number of blocks have been transferred, the digest is either moved to memory (Write Back function) or compared with a digest reference located in the system memory (Compare function). If a digest mismatch occurs, an interrupt is triggered if unmasked. The ICM module passes through the region descriptor list until the end of the list marked by an end of list marker (WRAP or EOM bit in ICM\_RCFG structure member set to one). To continuously monitor the list of regions, the WRAP bit must be set to one in the last data structure and EOM must be cleared.

Figure 41-3. ICM Region Descriptor and Hash Areas



Each region descriptor supports gathering of data through the use of the Secondary List. Unlike the Main List, the Secondary List cannot modify the configuration attributes of the region. When the end of the Secondary List has been encountered, the ICM returns to the Main List. Memory integrity monitoring can be considered as a background service and the mandatory bandwidth shall be very limited. In order to limit the ICM memory bandwidth, use ICM\_CFG.BBC to control the ICM memory load.

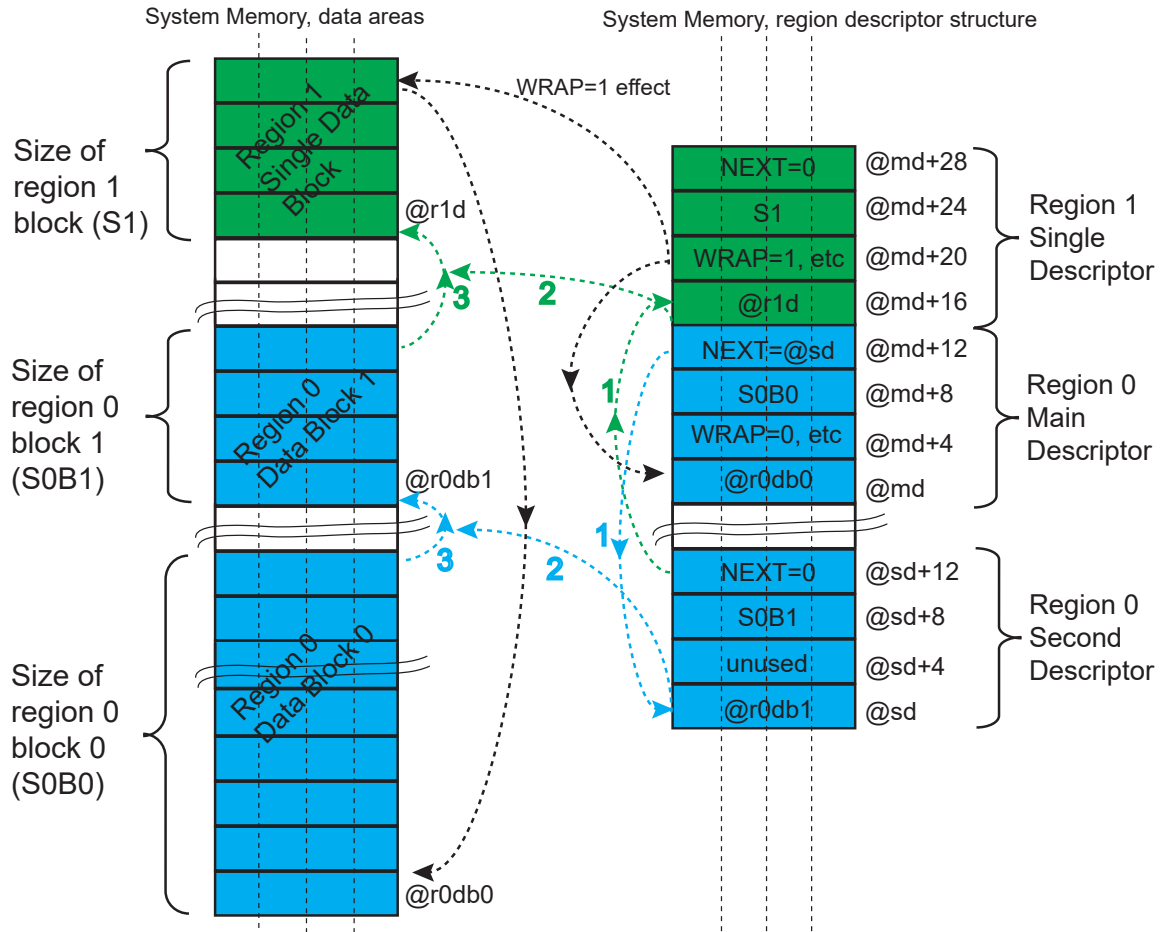
Figure 41-4. Region Descriptor



The figure below shows an example of the mandatory ICM settings required to monitor three memory data blocks of the system memory (defined as two regions) with one region being not contiguous (two separate areas) and one contiguous memory area. For each region, the SHA algorithm may be independently selected (different for each region). The wrap allows continuous monitoring.



Figure 41-5. Example: Monitoring of 3 Memory Data Blocks (Defined as 2 Regions)



### 41.5.2 ICM Region Descriptor Structure

The ICM Region Descriptor Area is a contiguous area of system memory that the controller and the processor can access. When the ICM is activated, the controller performs a descriptor fetch operation at  $*(ICM\_DSCR)$  address. If the Main List contains more than one descriptor (i.e., more than one region is to be monitored), the fetch address is  $*(ICM\_DSCR) + (RID \ll 4)$  where RID is the region identifier.

Table 41-1. Region Descriptor Structure (Main List)

Offset	Structure Member	Name
$ICM\_DSCR + 0x000 + RID * (0x10)$	ICM Region Start Address	ICM_RADDR
$ICM\_DSCR + 0x004 + RID * (0x10)$	ICM Region Configuration	ICM_RCFG
$ICM\_DSCR + 0x008 + RID * (0x10)$	ICM Region Control	ICM_RCTRL
$ICM\_DSCR + 0x00C + RID * (0x10)$	ICM Region Next Address	ICM_RNEXT

### 41.5.2.1 ICM Region Start Address Structure Member

**Name:** ICM\_RADDR  
**Property:** Read/Write

Register offset is calculated as  $ICM\_DSCR+0x000+RID*(0x10)$ .

Bit	31	30	29	28	27	26	25	24
	RADDR[31:24]							
Access	R/W	R/W	R/W	R/W	R/W	R/W	R/W	R/W
Reset								
Bit	23	22	21	20	19	18	17	16
	RADDR[23:16]							
Access	R/W	R/W	R/W	R/W	R/W	R/W	R/W	R/W
Reset								
Bit	15	14	13	12	11	10	9	8
	RADDR[15:8]							
Access	R/W	R/W	R/W	R/W	R/W	R/W	R/W	R/W
Reset								
Bit	7	6	5	4	3	2	1	0
	RADDR[7:0]							
Access	R/W	R/W	R/W	R/W	R/W	R/W	R/W	R/W
Reset								

**Bits 31:0 – RADDR[31:0]** Region Start Address  
This field indicates the first byte address of the region.

### 41.5.2.2 ICM Region Configuration Structure Member

**Name:** ICM\_RCFG  
**Property:** Read/Write

Register offset is calculated as ICM\_DSCR+0x004+RID\*(0x10).

Bit	31	30	29	28	27	26	25	24
Access								
Reset								
Bit	23	22	21	20	19	18	17	16
Access								
Reset								
Bit	15	14	13	12	11	10	9	8
Access		ALGO[2:0]				PROCDLY	SUIEN	ECIEN
Reset		R/W	R/W	R/W		R/W	R/W	R/W
Bit	7	6	5	4	3	2	1	0
Access	WCIEEN	BEIEN	DMIEN	RHIEN		EOM	WRAP	CDWBN
Reset	R/W	R/W	R/W	R/W		R/W	R/W	R/W

#### Bits 14:12 – ALGO[2:0] SHA Algorithm

Values which are not listed in the table must be considered as “reserved”.

Value	Name	Description
0	SHA1	SHA1 algorithm processed
1	SHA256	SHA256 algorithm processed
4	SHA224	SHA224 algorithm processed

#### Bit 10 – PROCDLY Processing Delay

When SHA1 algorithm is processed, the runtime period is either 85 or 209 clock cycles.

When SHA256 or SHA224 algorithm is processed, the runtime period is either 72 or 194 clock cycles.

Value	Name	Description
0	SHORTEST	SHA processing runtime is the shortest one.
1	LONGEST	SHA processing runtime is the longest one.

#### Bit 9 – SUIEN Monitoring Status Updated Condition Interrupt (Default Enabled)

Value	Name	Description
0		The ICM_ISR.RSU[i] flag is set when the corresponding descriptor is loaded from memory to ICM.
1		The ICM_ISR.RSU[i] flag remains cleared even if the setting condition is met.

#### Bit 8 – ECIEN End Bit Condition Interrupt (Default Enabled)

Value	Name	Description
0		The ICM_ISR.REC[i] flag is set when the descriptor with the EOM bit set is processed.
1		The ICM_ISR.REC[i] flag remains cleared even if the setting condition is met.

#### Bit 7 – WCIEEN Wrap Condition Interrupt Disable (Default Enabled)

Value	Name	Description
0		The ICM_ISR.RWC[i] flag is set when the WRAP bit is set in a descriptor of the main list.
1		ICM_ISR.RWC[i] flag remains cleared even if the setting condition is met.

**Bit 6 – BEIEN** Bus Error Interrupt Disable (Default Enabled)

Value	Name	Description
0		The flag is set when an error is reported on the system bus by the bus matrix.
1		The flag remains cleared even if the setting condition is met.

**Bit 5 – DMIEN** Digest Mismatch Interrupt Disable (Default Enabled)

Value	Name	Description
0		The ICM_ISR.RBE[i] flag is set when the hash value just calculated from the processed region differs from expected hash value.
1		The ICM_ISR.RBE[i] flag remains cleared even if the setting condition is met.

**Bit 4 – RHIEEN** Region Hash Completed Interrupt Disable (Default Enabled)

Value	Name	Description
0		The ICM_ISR.RHC[i] flag is set when the field NEXT = 0 in a descriptor of the main or second list.
1		The ICM_ISR.RHC[i] flag remains cleared even if the setting condition is met.

**Bit 2 – EOM** End Of Monitoring

Value	Name	Description
0		The current descriptor does not terminate the monitoring.
1		The current descriptor terminates the Main List. WRAP value has no effect.

**Bit 1 – WRAP** Wrap Command

Value	Name	Description
0		The next region descriptor address loaded is the current region identifier descriptor address incremented by 0x10.
1		The next region descriptor address loaded is ICM_DSCR.

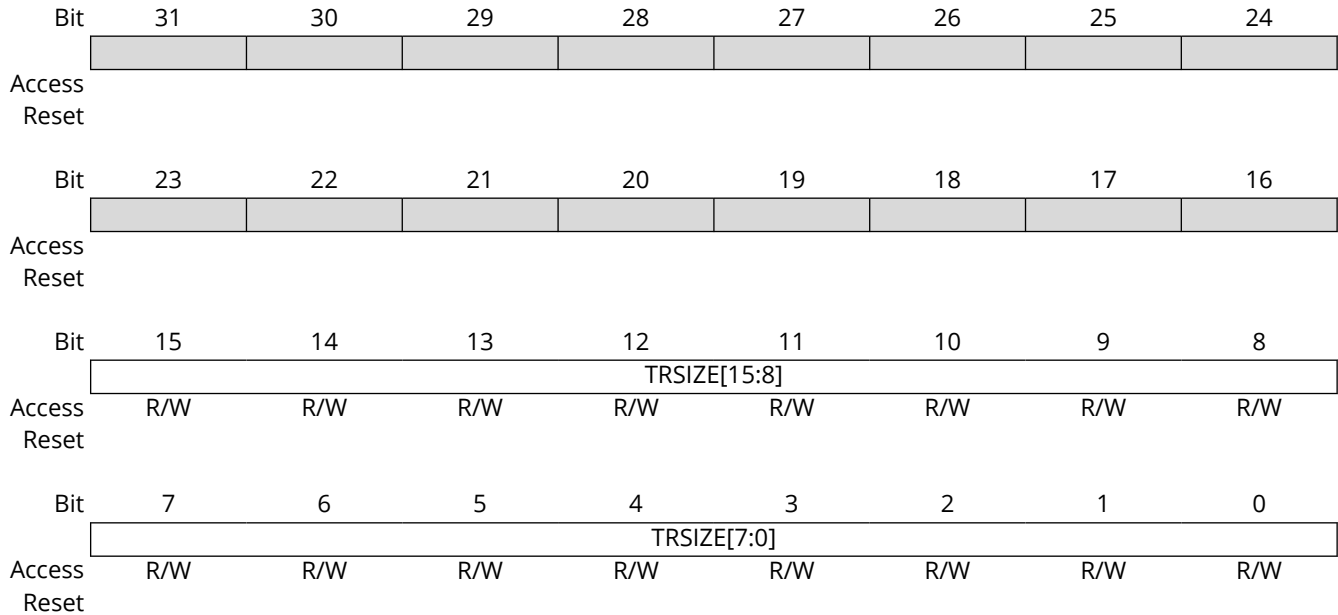
**Bit 0 – CDWBN** Compare Digest or Write Back Digest

Value	Name	Description
0		The digest is written to the Hash area.
1		The digest value is compared to the digest stored in the Hash area.

### 41.5.2.3 ICM Region Control Structure Member

**Name:** ICM\_RCTRL  
**Property:** Read/Write

Register offset is calculated as  $ICM\_DSCR + 0x008 + RID * (0x10)$ .



**Bits 15:0 – TRSIZE[15:0]** Transfer Size for the Current Chunk of Data  
ICM performs a transfer of (TRSIZE + 1) blocks of 512 bits.





#### 41.5.4 Using ICM as SHA Engine

The ICM can be configured to only calculate a SHA1, SHA224, SHA256 digest value.

##### 41.5.4.1 Settings for Simple SHA Calculation

The start address of the system memory containing the data to hash must be configured in the transfer descriptor of the DMA embedded in the ICM.

The transfer descriptor is a system memory area integer multiple of 4 x 32-bit words and the start address of the descriptor must be configured in ICM\_DSCR (the start address must be aligned on 64-bytes; six LSB must be cleared). If the data to hash is already padded according to SHA standards, only a single descriptor is required, and ICM\_RCFG.EOM must be written to 1. If the data to hash does not contain a padding area, it is possible to define the padding area in another system memory location, the ICM can be configured to automatically jump from a memory area to another one by configuring the descriptor register ICM\_RNEXT with a value that differs from 0. Configuring ICM\_RNEXT.NEXT with the start address of the padding area forces the ICM to concatenate both areas, thus providing the SHA result from the start address of the hash area configured in ICM\_HASH.

Whether the system memory is configured as a single or multiple data block area, ICM\_RCFG.CDWBN and ICM\_RCFG.WRAP must be cleared. The bits WBDIS, EOMDIS, SLBDIS must be cleared in ICM\_CFG.

ICM\_RCTRL.RHIEN and ICM\_RCTRL.ECIEN must be written to 1. The flag RHC[i], i being the region index, is set (if RHIEN is set) when the hash result is available at address defined in ICM\_HASH. The flag REC[i], i being the region index, is set (if ECIEN is set) when the hash result is available at the address defined in ICM\_HASH.

An interrupt is generated if the bit RHC[i] is written to 1 in the ICM\_IER (if RHC[i] is set in ICM\_RCTRL of region i) or if the bit REC[i] is written to 1 in the ICM\_IER (if REC[i] is set in ICM\_RCTRL of region i).

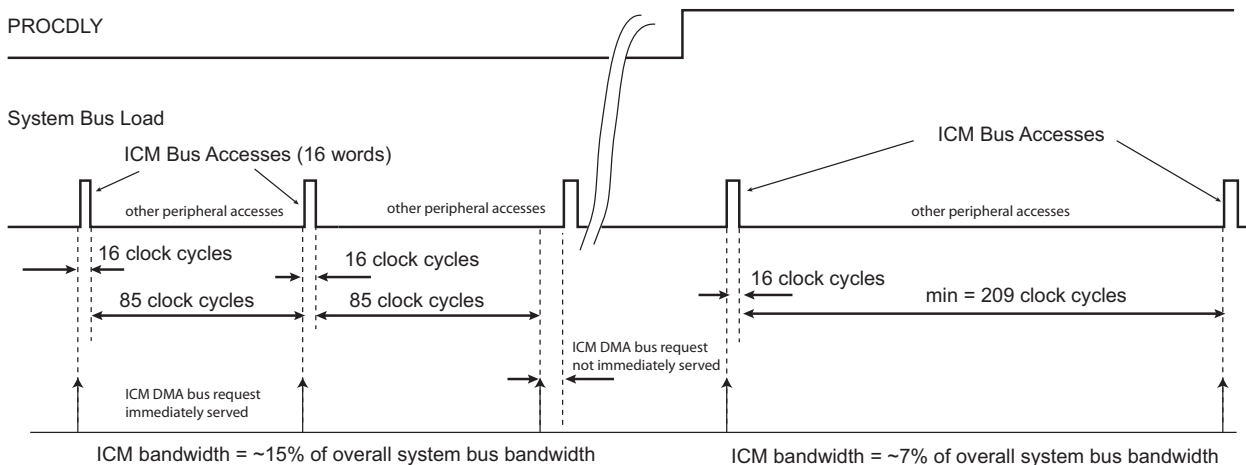
##### 41.5.4.2 Processing Period

The ICM engine has a core (SHA) inherent processing period that may result, depending on the application, in a significant bandwidth usage at system bus level. In some applications, it may be important to keep as much bandwidth as possible for the other peripherals (e.g. CPU, DMA). The ICM SHA engine processing period can be configured to reduce the bandwidth required by writing ICM\_RCFG.PROCDLY=1.

In SHA1 mode, the shortest processing period is 85 clock cycles + 2 clock cycles for start command synchronization (ICM\_RCFG.PROCDLY=0). The longest period is 209 clock cycles + 2 clock cycles when ICM\_RCFG.PROCDLY=1 (see the figure below).

In SHA256 or SHA224 mode, the shortest processing period is 72 clock cycles + 2 clock cycles for start command synchronization. The longest period is 194 clock cycles + 2 clock cycles.



**Figure 41-6. Bandwidth Usage in SHA1 Mode**

### 41.5.5 ICM Automatic Monitoring Mode

ICM\_CFG.ASCD is used to activate the ICM Automatic Monitoring mode. When ICM\_CFG.ASCD is set and bits CDWBN and EOM in ICM.RCFG equal 0, the ICM performs the following actions:

1. The ICM passes through the Main List once to calculate the message digest of the monitored area.
2. When WRAP = 1 in ICM\_RCFG, the ICM begins monitoring. CDWBN in ICM\_RCFG is now automatically set and EOM is cleared. These bits have no effect during the monitoring period that ends when EOM is set.

### 41.5.6 Programming the ICM

**Table 41-7. Region Attributes**

Transfer Type		Main List	ICM_RCFG			ICM_RNEXT	Comments
			CDWBN	WRAP	EOM	NEXT	
Single Region	Contiguous list of blocks Digest written to memory Monitoring disabled	1 item	0	0	1	0	The Main List contains only one descriptor. The Secondary List is empty for that descriptor. The digest is computed and saved to memory.
	Non-contiguous list of blocks Digest written to memory Monitoring disabled	1 item	0	0	1	Secondary List address of the current region identifier	The Main List contains only one descriptor. The Secondary List describes the layout of the non-contiguous region.
	Contiguous list of blocks Digest comparison enabled Monitoring enabled	1 item	1	1	0	0	When the hash computation is terminated, the digest is compared with the one saved in memory.

.....continued

Transfer Type		Main List	ICM_RCFG			ICM_RNEXT	Comments
			CDWBN	WRAP	EOM	NEXT	
Multiple Regions	Contiguous list of blocks Digest written to memory Monitoring disabled	More than one item	0	0	1 for the last, 0 otherwise	0	ICM passes through the list once.
	Contiguous list of blocks Digest comparison is enabled Monitoring is enabled	More than one item	1	1 for the last, 0 otherwise	0	0	ICM performs active monitoring of the regions. If a mismatch occurs, an interrupt is raised.
	Non-contiguous list of blocks Digest is written to memory Monitoring is disabled	More than one item	0	0	1	Secondary List address	ICM performs hashing and saves digests to the Hash area.
	Non-contiguous list of blocks Digest comparison is enabled Monitoring is enabled	More than one item	1	1	0	Secondary List address	ICM performs data gathering on a per region basis.

### 41.5.7 Security Features

When an undefined register access occurs, the URAD bit in the Interrupt Status Register (ICM\_ISR) is set if unmasked. Its source is then reported in the Undefined Access Status Register (ICM\_UASR). Only the first undefined register access is available through the ICM\_UASR.URAT field.

Several kinds of unspecified register accesses can occur:

- Unspecified structure member set to one detected when the descriptor is loaded
- Configuration register (ICM\_CFG) modified during active monitoring
- Descriptor register (ICM\_DSCR) modified during active monitoring
- Hash register (ICM\_HASH) modified during active monitoring
- Write-only register read access

The URAD bit and the URAT field can only be reset by writing a 1 to the ICM\_CTRL.SWRST bit.

### 41.5.8 ICM Register Write Protection

To prevent any single software error from corrupting ICM behavior, certain registers in the address space can be write-protected by setting the WPEN (Write Protection Enable), WPITEN (Write Protection Interrupt Enable), and/or WPCREN (Write Protection Control Enable) bits in the ICM Write Protection Mode Register (ICM\_WPMR).

If a write access to a write-protected register is detected, the Write Protection Violation Status (WPVS) flag in the ICM Write Protection Status Register (ICM\_WPSR) is set and the Write Protection Violation Source (WPVSR) field indicates the register in which the write access has been attempted.

The WPVS bit is automatically cleared after reading ICM\_WPSR.

The following register(s) can be write-protected when WPEN is set:

- [ICM Configuration Register](#)
- [ICM Descriptor Area Start Address Register](#)
- [ICM Hash Area Start Address Register](#)
- [ICM User Initial Hash Value Register](#)

The following registers can be write-protected when WPITEN is set:

- [ICM Interrupt Enable Register](#)

- [ICM Interrupt Disable Register](#)

The following register can be write-protected when WPCREN is set:

- [ICM Control Register](#)

## 41.6 Register Summary

Offset	Name	Bit Pos.	7	6	5	4	3	2	1	0
0x00	ICM_CFG	7:0	BBC[3:0]					SLBDIS	EOMDIS	WBDIS
		15:8	UALGO[2:0]		UIHASH			DUALBUFF	ASCD	
		23:16								
		31:24								
0x04	ICM_CTRL	7:0	REHASH[3:0]					SWRST	DISABLE	ENABLE
		15:8	RMEN[3:0]					RMDIS[3:0]		
		23:16								
		31:24								
0x08	ICM_SR	7:0								ENABLE
		15:8	RMDIS[3:0]					RAWRMDIS[3:0]		
		23:16								
		31:24								
0x0C ... 0x0F	Reserved									
0x10	ICM_IER	7:0	RDM[3:0]					RHC[3:0]		
		15:8	RWC[3:0]					RBE[3:0]		
		23:16	RSU[3:0]					REC[3:0]		
		31:24								URAD
0x14	ICM_IDR	7:0	RDM[3:0]					RHC[3:0]		
		15:8	RWC[3:0]					RBE[3:0]		
		23:16	RSU[3:0]					REC[3:0]		
		31:24								URAD
0x18	ICM_IMR	7:0	RDM[3:0]					RHC[3:0]		
		15:8	RWC[3:0]					RBE[3:0]		
		23:16	RSU[3:0]					REC[3:0]		
		31:24								URAD
0x1C	ICM_ISR	7:0	RDM[3:0]					RHC[3:0]		
		15:8	RWC[3:0]					RBE[3:0]		
		23:16	RSU[3:0]					REC[3:0]		
		31:24								URAD
0x20	ICM_UASR	7:0						URAT[2:0]		
		15:8								
		23:16								
		31:24								
0x24 ... 0x2F	Reserved									
0x30	ICM_DSCR	7:0	DASA[1:0]							
		15:8			DASA[9:2]					
		23:16			DASA[17:10]					
		31:24			DASA[25:18]					
0x34	ICM_HASH	7:0	HASA[0]							
		15:8			HASA[8:1]					
		23:16			HASA[16:9]					
		31:24			HASA[24:17]					
0x38	ICM_UIHVAL0	7:0			VAL[7:0]					
		15:8			VAL[15:8]					
		23:16			VAL[23:16]					
		31:24			VAL[31:24]					
0x3C	ICM_UIHVAL1	7:0			VAL[7:0]					
		15:8			VAL[15:8]					
		23:16			VAL[23:16]					
		31:24			VAL[31:24]					
0x40	ICM_UIHVAL2	7:0			VAL[7:0]					
		15:8			VAL[15:8]					
		23:16			VAL[23:16]					
		31:24			VAL[31:24]					

.....continued

Offset	Name	Bit Pos.	7	6	5	4	3	2	1	0		
0x44	ICM_UIHVAL3	7:0	VAL[7:0]									
		15:8	VAL[15:8]									
		23:16	VAL[23:16]									
		31:24	VAL[31:24]									
0x48	ICM_UIHVAL4	7:0	VAL[7:0]									
		15:8	VAL[15:8]									
		23:16	VAL[23:16]									
		31:24	VAL[31:24]									
0x4C	ICM_UIHVAL5	7:0	VAL[7:0]									
		15:8	VAL[15:8]									
		23:16	VAL[23:16]									
		31:24	VAL[31:24]									
0x50	ICM_UIHVAL6	7:0	VAL[7:0]									
		15:8	VAL[15:8]									
		23:16	VAL[23:16]									
		31:24	VAL[31:24]									
0x54	ICM_UIHVAL7	7:0	VAL[7:0]									
		15:8	VAL[15:8]									
		23:16	VAL[23:16]									
		31:24	VAL[31:24]									
0x58 ... 0xE3	Reserved											
0xE4	ICM_WPMR	7:0						WPCREN	WPITEN	WPEN		
		15:8	WPKEY[7:0]									
		23:16	WPKEY[15:8]									
		31:24	WPKEY[23:16]									
0xE8	ICM_WPSR	7:0								WPVS		
		15:8	WPVSR[7:0]									
		23:16										
		31:24										

### 41.6.1 ICM Configuration Register

**Name:** ICM\_CFG  
**Offset:** 0x00  
**Reset:** 0x00000000  
**Property:** Read/Write

This register can only be written if the WPEN bit is cleared in the [ICM Write Protection Mode Register](#).

Bit	31	30	29	28	27	26	25	24
Access								
Reset								
Bit	23	22	21	20	19	18	17	16
Access								
Reset								
Bit	15	14	13	12	11	10	9	8
Access	UALGO[2:0]			UIHASH			DUALBUFF	ASCD
Reset	R/W	R/W	R/W	R/W			R/W	R/W
Reset	0	0	0	0			0	0
Bit	7	6	5	4	3	2	1	0
Access	BBC[3:0]					SLBDIS	EOMDIS	WBDIS
Reset	R/W	R/W	R/W	R/W		R/W	R/W	R/W
Reset	0	0	0	0		0	0	0

#### Bits 15:13 – UALGO[2:0] User SHA Algorithm

Value	Name	Description
0	SHA1	SHA1 algorithm processed
1	SHA256	SHA256 algorithm processed
4	SHA224	SHA224 algorithm processed

#### Bit 12 – UIHASH User Initial Hash Value

Value	Description
0	The secure hash standard provides the initial hash value.
1	The initial hash value is programmable. Field UALGO provides the SHA algorithm. The ALGO field of the ICM_RCFG structure member has no effect.

#### Bit 9 – DUALBUFF Dual Input Buffer

Value	Description
0	Dual Input Buffer mode is disabled.
1	Dual Input Buffer mode is enabled (better performances, higher bandwidth required on system bus).

#### Bit 8 – ASCD Automatic Switch To Compare Digest

Value	Description
0	Automatic monitoring mode is disabled.
1	The ICM passes through the Main List once to calculate the message digest of the monitored area. When WRAP = 1 in ICM_RCFG, the ICM begins monitoring.

**Bits 7:4 – BBC[3:0]** Bus Burden Control

This field is used to control the burden of the ICM system bus. The number of system clock cycles between the end of the current processing and the next block transfer is set to  $2^{\text{BBC}}$ . Up to 32,768 cycles can be inserted.

**Bit 2 – SLBDIS** Secondary List Branching Disable

Value	Description
0	Branching to the Secondary List is permitted.
1	Branching to the Secondary List is forbidden. The NEXT field of the ICM_RNEXT structure member has no effect and is always considered as zero.

**Bit 1 – EOMDIS** End of Monitoring Disable

Value	Description
0	End of Monitoring is permitted.
1	End of Monitoring is forbidden. The EOM bit of the ICM_RCFG structure member has no effect.

**Bit 0 – WBDIS** Write Back Disable

When ASCD is set, WBDIS has no effect.

Value	Description
0	Write Back operations are permitted.
1	Write Back operations are forbidden. Context register CDWBN bit is internally set to one and cannot be modified by a linked list element. ICM_RCFG.CDWBN has no effect.

## 41.6.2 ICM Control Register

**Name:** ICM\_CTRL  
**Offset:** 0x04  
**Reset:** -  
**Property:** Write-only

This register can only be written if the WPCREN bit is cleared in the [ICM Write Protection Mode Register](#).

Bit	31	30	29	28	27	26	25	24
Access								
Reset								
Bit	23	22	21	20	19	18	17	16
Access								
Reset								
Bit	15	14	13	12	11	10	9	8
Access	RMEN[3:0]				RMDIS[3:0]			
Reset	W	W	W	W	W	W	W	W
Reset	-	-	-	-	-	-	-	-
Bit	7	6	5	4	3	2	1	0
Access	REHASH[3:0]					SWRST	DISABLE	ENABLE
Reset	W	W	W	W		W	W	W
Reset	-	-	-	-		-	-	-

### Bits 15:12 – RMEN[3:0] Region Monitoring Enable

Monitoring is activated by default.

Value	Description
0	No effect
1	When bit RMEN[i] is set to one, the monitoring of region with identifier i is activated.

### Bits 11:8 – RMDIS[3:0] Region Monitoring Disable

Value	Description
0	No effect
1	When bit RMDIS[i] is set to one, the monitoring of region with identifier i is disabled.

### Bits 7:4 – REHASH[3:0] Recompute Internal Hash

Value	Description
0	No effect
1	When REHASH[i] is set to one, Region i digest is re-computed. This bit is only available when region monitoring is disabled.

### Bit 2 – SWRST Software Reset

Value	Description
0	No effect
1	Resets the ICM.

### Bit 1 – DISABLE ICM Disable Register

Value	Description
0	No effect



Value	Description
1	The ICM is disabled. If a region is active, this region is terminated.

**Bit 0 - ENABLE** ICM Enable

Value	Description
0	No effect
1	When set to one, the ICM is activated.

### 41.6.3 ICM Status Register

**Name:** ICM\_SR  
**Offset:** 0x08  
**Reset:** 0x00000000  
**Property:** Read-only

Bit	31	30	29	28	27	26	25	24
Access								
Reset								
Bit	23	22	21	20	19	18	17	16
Access								
Reset								
Bit	15	14	13	12	11	10	9	8
Access	RMDIS[3:0]				RAWRMDIS[3:0]			
Reset	R	R	R	R	R	R	R	R
Reset	0	0	0	0	0	0	0	0
Bit	7	6	5	4	3	2	1	0
Access								ENABLE
Reset								R
Reset								0

#### Bits 15:12 – RMDIS[3:0] Region Monitoring Disabled Status

Value	Description
0	Region i is being monitored (occurs after integrity check value has been calculated and written to Hash area).
1	Region i monitoring is not being monitored.

#### Bits 11:8 – RAWRMDIS[3:0] Region Monitoring Disabled Raw Status

Value	Description
0	Region i monitoring has been activated by writing a 1 in RMEN[i] of ICM_CTRL.
1	Region i monitoring has been deactivated by writing a 1 in RMDIS[i] of ICM_CTRL.

#### Bit 0 – ENABLE ICM Enable Register

Value	Description
0	ICM is disabled.
1	ICM is activated.

#### 41.6.4 ICM Interrupt Enable Register

**Name:** ICM\_IER  
**Offset:** 0x10  
**Reset:** -  
**Property:** Write-only

This register can only be written if the WPITEN bit is cleared in the [ICM Write Protection Mode Register](#).

Bit	31	30	29	28	27	26	25	24
								URAD
Access								W
Reset								-
Bit	23	22	21	20	19	18	17	16
	RSU[3:0]				REC[3:0]			
Access	W	W	W	W	W	W	W	W
Reset	-	-	-	-	-	-	-	-
Bit	15	14	13	12	11	10	9	8
	RWC[3:0]				RBE[3:0]			
Access	W	W	W	W	W	W	W	W
Reset	-	-	-	-	-	-	-	-
Bit	7	6	5	4	3	2	1	0
	RDM[3:0]				RHC[3:0]			
Access	W	W	W	W	W	W	W	W
Reset	-	-	-	-	-	-	-	-

##### Bit 24 – URAD Undefined Register Access Detection Interrupt Enable

Value	Description
0	No effect.
1	The Undefined Register Access interrupt is enabled.

##### Bits 23:20 – RSU[3:0] Region Status Updated Interrupt Disable

Value	Description
0	No effect.
1	When RSU[i] is set to one, the region i Status Updated interrupt is enabled.

##### Bits 19:16 – REC[3:0] Region End bit Condition Detected Interrupt Enable

Value	Description
0	No effect.
1	When REC[i] is set to one, the region i End bit Condition interrupt is enabled.

##### Bits 15:12 – RWC[3:0] Region Wrap Condition detected Interrupt Enable

Value	Description
0	No effect.
1	When RWC[i] is set to one, the Region i Wrap Condition interrupt is enabled.

##### Bits 11:8 – RBE[3:0] Region Bus Error Interrupt Enable

Value	Description
0	No effect.
1	When RBE[i] is set to one, the Region i Bus Error interrupt is enabled.

**Bits 7:4 – RDM[3:0]** Region Digest Mismatch Interrupt Enable

Value	Description
0	No effect.
1	When RDM[i] is set to one, the Region i Digest Mismatch interrupt is enabled.

**Bits 3:0 – RHC[3:0]** Region Hash Completed Interrupt Enable

Value	Description
0	No effect.
1	When RHC[i] is set to one, the Region i Hash Completed interrupt is enabled.

### 41.6.5 ICM Interrupt Disable Register

**Name:** ICM\_IDR  
**Offset:** 0x14  
**Reset:** -  
**Property:** Write-only

This register can only be written if the WPITEN bit is cleared in the [ICM Write Protection Mode Register](#).

Bit	31	30	29	28	27	26	25	24
								URAD
Access								W
Reset								-
Bit	23	22	21	20	19	18	17	16
	RSU[3:0]				REC[3:0]			
Access	W	W	W	W	W	W	W	W
Reset	-	-	-	-	-	-	-	-
Bit	15	14	13	12	11	10	9	8
	RWC[3:0]				RBE[3:0]			
Access	W	W	W	W	W	W	W	W
Reset	-	-	-	-	-	-	-	-
Bit	7	6	5	4	3	2	1	0
	RDM[3:0]				RHC[3:0]			
Access	W	W	W	W	W	W	W	W
Reset	-	-	-	-	-	-	-	-

#### Bit 24 – URAD Undefined Register Access Detection Interrupt Disable

Value	Description
0	No effect.
1	Undefined Register Access Detection interrupt is disabled.

#### Bits 23:20 – RSU[3:0] Region Status Updated Interrupt Disable

Value	Description
0	No effect.
1	When RSU[i] is set to one, the region i Status Updated interrupt is disabled.

#### Bits 19:16 – REC[3:0] Region End bit Condition detected Interrupt Disable

Value	Description
0	No effect.
1	When REC[i] is set to one, the region i End bit Condition interrupt is disabled.

#### Bits 15:12 – RWC[3:0] Region Wrap Condition Detected Interrupt Disable

Value	Description
0	No effect.
1	When RWC[i] is set to one, the Region i Wrap Condition interrupt is disabled.

#### Bits 11:8 – RBE[3:0] Region Bus Error Interrupt Disable

Value	Description
0	No effect.
1	When RBE[i] is set to one, the Region i Bus Error interrupt is disabled.

**Bits 7:4 – RDM[3:0]** Region Digest Mismatch Interrupt Disable

Value	Description
0	No effect.
1	When RDM[i] is set to one, the Region i Digest Mismatch interrupt is disabled.

**Bits 3:0 – RHC[3:0]** Region Hash Completed Interrupt Disable

Value	Description
0	No effect.
1	When RHC[i] is set to one, the Region i Hash Completed interrupt is disabled.

### 41.6.6 ICM Interrupt Mask Register

**Name:** ICM\_IMR  
**Offset:** 0x18  
**Reset:** 0x00000000  
**Property:** Read-only

Bit	31	30	29	28	27	26	25	24
								URAD
Access								R
Reset								0
Bit	23	22	21	20	19	18	17	16
	RSU[3:0]				REC[3:0]			
Access	R	R	R	R	R	R	R	R
Reset	0	0	0	0	0	0	0	0
Bit	15	14	13	12	11	10	9	8
	RWC[3:0]				RBE[3:0]			
Access	R	R	R	R	R	R	R	R
Reset	0	0	0	0	0	0	0	0
Bit	7	6	5	4	3	2	1	0
	RDM[3:0]				RHC[3:0]			
Access	R	R	R	R	R	R	R	R
Reset	0	0	0	0	0	0	0	0

#### Bit 24 – URAD Undefined Register Access Detection Interrupt Mask

Value	Description
0	Interrupt is disabled
1	Interrupt is enabled.

#### Bits 23:20 – RSU[3:0] Region Status Updated Interrupt Mask

Value	Description
0	When RSU[i] is set to zero, the interrupt is disabled for region i.
1	When RSU[i] is set to one, the interrupt is enabled for region i.

#### Bits 19:16 – REC[3:0] Region End Bit Condition Detected Interrupt Mask

Value	Description
0	When REC[i] is set to zero, the interrupt is disabled for region i.
1	When REC[i] is set to one, the interrupt is enabled for region i.

#### Bits 15:12 – RWC[3:0] Region Wrap Condition Detected Interrupt Mask

Value	Description
0	When RWC[i] is set to zero, the interrupt is disabled for region i.
1	When RWC[i] is set to one, the interrupt is enabled for region i.

#### Bits 11:8 – RBE[3:0] Region Bus Error Interrupt Mask

Value	Description
0	When RBE[i] is set to zero, the interrupt is disabled for region i.
1	When RBE[i] is set to one, the interrupt is enabled for region i.

#### Bits 7:4 – RDM[3:0] Region Digest Mismatch Interrupt Mask

Value	Description
0	When RDM[i] is set to zero, the interrupt is disabled for region i.
1	When RDM[i] is set to one, the interrupt is enabled for region i.

**Bits 3:0 – RHC[3:0]** Region Hash Completed Interrupt Mask

Value	Description
0	When RHC[i] is set to zero, the interrupt is disabled for region i.
1	When RHC[i] is set to one, the interrupt is enabled for region i.



### 41.6.7 ICM Interrupt Status Register

**Name:** ICM\_ISR  
**Offset:** 0x1C  
**Reset:** 0x00000000  
**Property:** Read-only

Bit	31	30	29	28	27	26	25	24
								URAD
Access								R
Reset								0
Bit	23	22	21	20	19	18	17	16
	RSU[3:0]				REC[3:0]			
Access	R	R	R	R	R	R	R	R
Reset	0	0	0	0	0	0	0	0
Bit	15	14	13	12	11	10	9	8
	RWC[3:0]				RBE[3:0]			
Access	R	R	R	R	R	R	R	R
Reset	0	0	0	0	0	0	0	0
Bit	7	6	5	4	3	2	1	0
	RDM[3:0]				RHC[3:0]			
Access	R	R	R	R	R	R	R	R
Reset	0	0	0	0	0	0	0	0

#### Bit 24 – URAD Undefined Register Access Detection Status

The URAD bit is only reset by the SWRST bit in ICM\_CTRL.

The URAT field in ICM\_UASR indicates the unspecified access type.

Value	Description
0	No undefined register access has been detected since the last SWRST.
1	At least one undefined register access has been detected since the last SWRST.

#### Bits 23:20 – RSU[3:0] Region Status Updated Detected

When RSU[i] is set, it indicates that a region status updated condition has been detected.

#### Bits 19:16 – REC[3:0] Region End Bit Condition Detected

When REC[i] is set, it indicates that an end bit condition has been detected.

#### Bits 15:12 – RWC[3:0] Region Wrap Condition Detected

When RWC[i] is set, it indicates that a wrap condition has been detected.

#### Bits 11:8 – RBE[3:0] Region Bus Error

When RBE[i] is set, it indicates that a bus error has been detected while hashing memory region i.

#### Bits 7:4 – RDM[3:0] Region Digest Mismatch

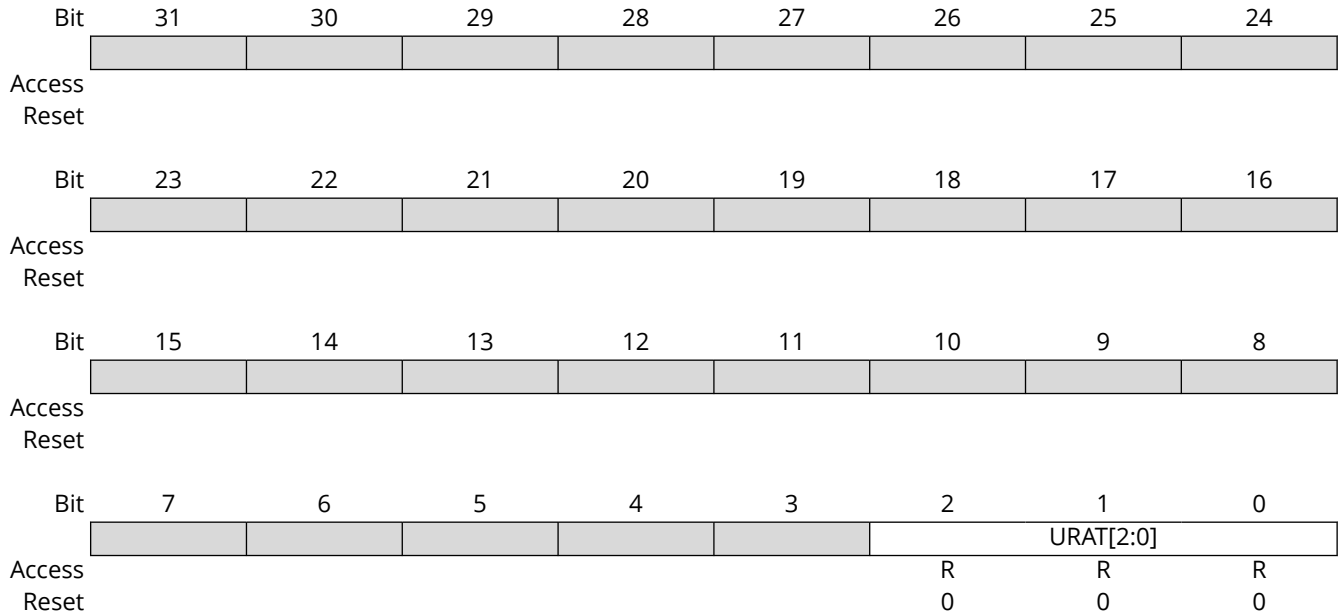
When RDM[i] is set, it indicates that there is a digest comparison mismatch between the hash value of the region with identifier i and the reference value located in the Hash Area.

#### Bits 3:0 – RHC[3:0] Region Hash Completed

When RHC[i] is set, it indicates that the ICM has completed the region with identifier i.

### 41.6.8 ICM Undefined Access Status Register

**Name:** ICM\_UASR  
**Offset:** 0x20  
**Reset:** 0x00000000  
**Property:** Read-only



#### Bits 2:0 – URAT[2:0] Undefined Register Access Trace

Only the first Undefined Register Access Trace is available through the URAT field.  
 The URAT field is only reset by the SWRST bit in the ICM\_CTRL register.

Value	Name	Description
0	UNSPEC_STRUCT_MEMBER	Unspecified structure member set to one detected when the descriptor is loaded.
1	ICM_CFG_MODIFIED	ICM_CFG modified during active monitoring.
2	ICM_DSCR_MODIFIED	ICM_DSCR modified during active monitoring.
3	ICM_HASH_MODIFIED	ICM_HASH modified during active monitoring.
4	READ_ACCESS	Write-only register read access

### 41.6.9 ICM Descriptor Area Start Address Register

**Name:** ICM\_DSCR  
**Offset:** 0x30  
**Reset:** 0x00000000  
**Property:** Read/Write

This register can only be written if the WPEN bit is cleared in the [ICM Write Protection Mode Register](#).

Bit	31	30	29	28	27	26	25	24
	DASA[25:18]							
Access	R/W	R/W	R/W	R/W	R/W	R/W	R/W	R/W
Reset	0	0	0	0	0	0	0	0
Bit	23	22	21	20	19	18	17	16
	DASA[17:10]							
Access	R/W	R/W	R/W	R/W	R/W	R/W	R/W	R/W
Reset	0	0	0	0	0	0	0	0
Bit	15	14	13	12	11	10	9	8
	DASA[9:2]							
Access	R/W	R/W	R/W	R/W	R/W	R/W	R/W	R/W
Reset	0	0	0	0	0	0	0	0
Bit	7	6	5	4	3	2	1	0
	DASA[1:0]							
Access	R/W	R/W						
Reset	0	0						

#### Bits 31:6 – DASA[25:0] Descriptor Area Start Address

The start address is a multiple of the total size of the data structure (64 bytes).

#### 41.6.10 ICM Hash Area Start Address Register

**Name:** ICM\_HASH  
**Offset:** 0x34  
**Reset:** 0x00000000  
**Property:** Read/Write

This register can only be written if the WPEN bit is cleared in the [ICM Write Protection Mode Register](#).

Bit	31	30	29	28	27	26	25	24
	HASA[24:17]							
Access	R/W	R/W	R/W	R/W	R/W	R/W	R/W	R/W
Reset	0	0	0	0	0	0	0	0
Bit	23	22	21	20	19	18	17	16
	HASA[16:9]							
Access	R/W	R/W	R/W	R/W	R/W	R/W	R/W	R/W
Reset	0	0	0	0	0	0	0	0
Bit	15	14	13	12	11	10	9	8
	HASA[8:1]							
Access	R/W	R/W	R/W	R/W	R/W	R/W	R/W	R/W
Reset	0	0	0	0	0	0	0	0
Bit	7	6	5	4	3	2	1	0
	HASA[0]							
Access	R/W							
Reset	0							

#### Bits 31:7 – HASA[24:0] Hash Area Start Address

This field points at the Hash memory location. The address must be a multiple of 128 bytes.

### 41.6.11 ICM User Initial Hash Value Register

**Name:** ICM\_UIHVALx  
**Offset:** 0x38 + x\*0x04 [x=0..7]  
**Reset:** -  
**Property:** Write-only

This register can only be written if the WPEN bit is cleared in the [ICM Write Protection Mode Register](#).

Bit	31	30	29	28	27	26	25	24
	VAL[31:24]							
Access	W	W	W	W	W	W	W	W
Reset	-	-	-	-	-	-	-	-
Bit	23	22	21	20	19	18	17	16
	VAL[23:16]							
Access	W	W	W	W	W	W	W	W
Reset	-	-	-	-	-	-	-	-
Bit	15	14	13	12	11	10	9	8
	VAL[15:8]							
Access	W	W	W	W	W	W	W	W
Reset	-	-	-	-	-	-	-	-
Bit	7	6	5	4	3	2	1	0
	VAL[7:0]							
Access	W	W	W	W	W	W	W	W
Reset	-	-	-	-	-	-	-	-

#### Bits 31:0 – VAL[31:0] Initial Hash Value

When ICM\_CFG.UIHASH is set, the Initial Hash Value is user-programmable.

To meet the desired standard, use the following example values.

For ICM\_UIHVAL0 field:

Example	Comment
0x67452301	SHA1 algorithm
0xC1059ED8	SHA224 algorithm
0x6A09E667	SHA256 algorithm

For ICM\_UIHVAL1 field:

Example	Comment
0xEFCDAB89	SHA1 algorithm
0x367CD507	SHA224 algorithm
0xBB67AE85	SHA256 algorithm

For ICM\_UIHVAL2 field:

Example	Comment
0x98BADCFE	SHA1 algorithm
0x3070DD17	SHA224 algorithm
0x3C6EF372	SHA256 algorithm

For ICM\_UIHVAL3 field:

Example	Comment
0x10325476	SHA1 algorithm
0xF70E5939	SHA224 algorithm
0xA54FF53A	SHA256 algorithm

For ICM\_UIHVAL4 field:

Example	Comment
0xC3D2E1F0	SHA1 algorithm
0xFFC00B31	SHA224 algorithm
0x510E527F	SHA256 algorithm

For ICM\_UIHVAL5 field:

Example	Comment
0x68581511	SHA224 algorithm
0x9B05688C	SHA256 algorithm

For ICM\_UIHVAL6 field:

Example	Comment
0x64F98FA7	SHA224 algorithm
0x1F83D9AB	SHA256 algorithm

For ICM\_UIHVAL7 field:

Example	Comment
0xBEFA4FA4	SHA224 algorithm
0x5BE0CD19	SHA256 algorithm

Example of Initial Value for SHA-1 Algorithm

Register Address	Address Offset / Byte Lane			
	0x3 / 31:24	0x2 / 23:16	0x1 / 15:8	0x0 / 7:0
0x000 ICM_UIHVAL0	01	23	45	67
0x004 ICM_UIHVAL1	89	ab	cd	ef
0x008 ICM_UIHVAL2	fe	dc	ba	98
0x00C ICM_UIHVAL3	76	54	32	10
0x010 ICM_UIHVAL4	f0	e1	d2	c3

### 41.6.12 ICM Write Protection Mode Register

**Name:** ICM\_WPMR  
**Offset:** 0xE4  
**Reset:** 0x00000000  
**Property:** Read/Write

Bit	31	30	29	28	27	26	25	24
	WPKEY[23:16]							
Access	W	W	W	W	W	W	W	W
Reset	0	0	0	0	0	0	0	0
Bit	23	22	21	20	19	18	17	16
	WPKEY[15:8]							
Access	W	W	W	W	W	W	W	W
Reset	0	0	0	0	0	0	0	0
Bit	15	14	13	12	11	10	9	8
	WPKEY[7:0]							
Access	W	W	W	W	W	W	W	W
Reset	0	0	0	0	0	0	0	0
Bit	7	6	5	4	3	2	1	0
						WPCREN	WPITEN	WPEN
Access						R/W	R/W	R/W
Reset						0	0	0

#### Bits 31:8 – WPKEY[23:0] Write Protection Key

Value	Name	Description
0x49434D	PASSWD	Writing any other value in this field aborts the write operation of the WPEN, WPITEN and WPCREN bits. Always reads as 0

#### Bit 2 – WPCREN Write Protection Control Enable

Value	Description
0	Disables the write protection on control register if WPKEY corresponds to 0x49434D (“ICM” in ASCII).
1	Enables the write protection on control register if WPKEY corresponds to 0x49434D (“ICM” in ASCII).

#### Bit 1 – WPITEN Write Protection Interrupt Enable

Value	Description
0	Disables the write protection on interrupt registers if WPKEY corresponds to 0x49434D (“ICM” in ASCII).
1	Enables the write protection on interrupt registers if WPKEY corresponds to 0x49434D (“ICM” in ASCII).

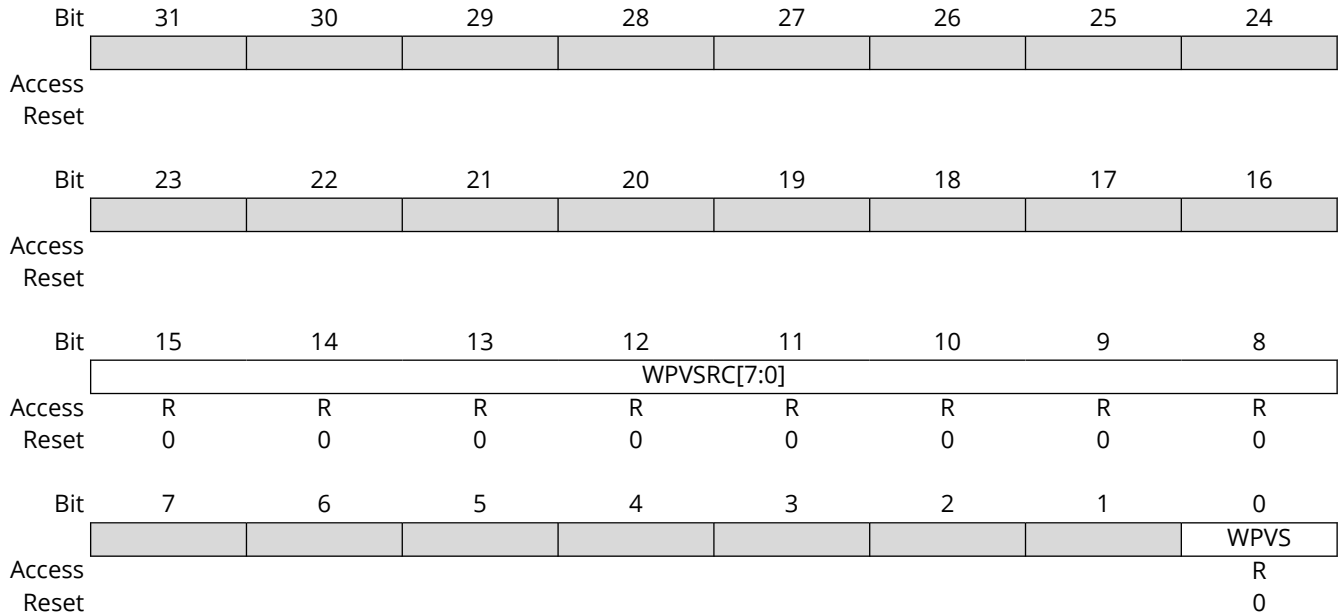
#### Bit 0 – WPEN Write Protection Enable

See [ICM Register Write Protection](#) for the list of registers that can be write-protected.

Value	Description
0	Disables the write protection if WPKEY corresponds to 0x49434D (“ICM” in ASCII)
1	Enables the write protection if WPKEY corresponds to 0x49434D (“ICM” in ASCII)

### 41.6.13 ICM Write Protection Status Register

**Name:** ICM\_WPSR  
**Offset:** 0xE8  
**Reset:** 0x00000000  
**Property:** Read-only



#### Bits 15:8 – WPVSR[7:0] Write Protection Violation Source

When WPVS = 1, WPVSR indicates the register address offset at which a write access has been attempted.

#### Bit 0 – WPVS Write Protection Violation Status (Cleared on read)

Value	Description
0	No write protect violation has occurred since the last read of ICM_WPSR.
1	A write protect violation has occurred since the last read of ICM_WPSR. If this violation is an unauthorized attempt to write a protected register, the associated violation is reported into field WPVSR.



## 42. True Random Number Generator (TRNG)

### 42.1 Description

The True Random Number Generator (TRNG) passes the American *NIST Special Publication 800-22 (A Statistical Test Suite for Random and Pseudorandom Number Generators for Cryptographic Applications)* and the *Diehard Suite of Tests*.

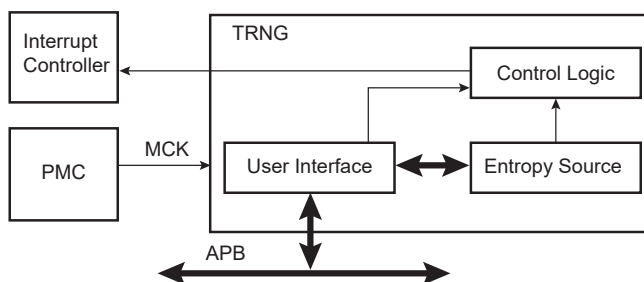
The TRNG may be used as an entropy source for seeding an NIST approved DRNG (Deterministic RNG) as required by FIPS PUB 140-2 and 140-3.

### 42.2 Embedded Characteristics

- Passes *NIST Special Publication 800-22 Test Suite*
- Passes *Diehard Suite of Tests*
- May be Used as Entropy Source for seeding a NIST-approved DRNG (Deterministic RNG) as required by FIPS PUB 140-2 and 140-3
- Provides a 32-bit Random Number Every 84 Clock Cycles

### 42.3 Block Diagram

Figure 42-1. TRNG Block Diagram



### 42.4 Product Dependencies

#### 42.4.1 Power Management

The TRNG interface may be clocked through the Power Management Controller (PMC), thus the programmer must first configure the PMC to enable the TRNG user interface clock. The user interface clock is independent from any clock that may be used in the entropy source logic circuitry. The source of entropy can be enabled before enabling the user interface clock.

#### 42.4.2 Interrupt Sources

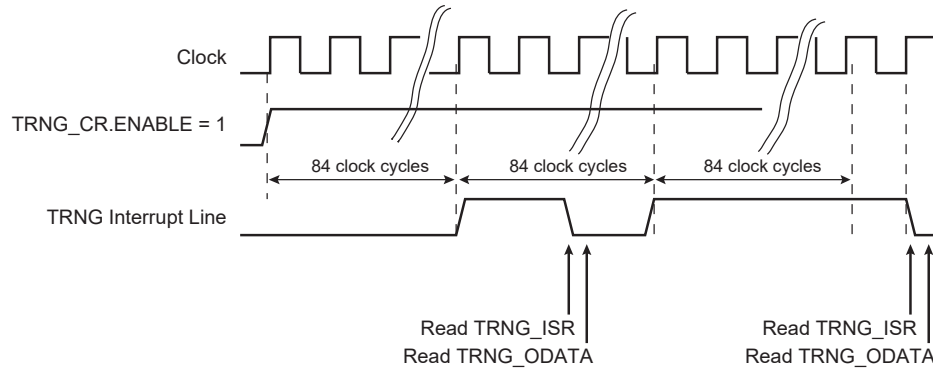
The TRNG interface has an interrupt line connected to the Interrupt Controller. In order to handle interrupts, the Interrupt Controller must be programmed before configuring the TRNG.

### 42.5 Functional Description

As soon as the TRNG is enabled in the Control register (TRNG\_CR), the generator provides one 32-bit random value every 84 clock cycles.

The TRNG interrupt line can be enabled in the Interrupt Enable register (TRNG\_IER), and disabled in the Interrupt Disable register (TRNG\_IDR). This interrupt is set when a new random value is available and is cleared when the Status register (TRNG\_ISR) is read. The flag TRNG\_ISR.DATRDY is set when the random data is ready to be read out on the 32-bit Output Data register (TRNG\_ODATA).

The normal mode of operation checks that the flag in TRNG\_ISR equals '1' before reading TRNG\_ODATA when a 32-bit random value is required by the software application.

**Figure 42-2. TRNG Data Generation Sequence**

## 42.6 Register Summary

Offset	Name	Bit Pos.	7	6	5	4	3	2	1	0	
0x00	TRNG_CR	7:0								ENABLE	
		15:8								WAKEY[7:0]	
		23:16									WAKEY[15:8]
		31:24									WAKEY[23:16]
0x04 ... 0x0F	Reserved										
0x10	TRNG_IER	7:0								DATRDY	
		15:8									
		23:16									
		31:24									
0x14	TRNG_IDR	7:0								DATRDY	
		15:8									
		23:16									
		31:24									
0x18	TRNG_IMR	7:0								DATRDY	
		15:8									
		23:16									
		31:24									
0x1C	TRNG_ISR	7:0								DATRDY	
		15:8									
		23:16									
		31:24									
0x20 ... 0x4F	Reserved										
0x50	TRNG_ODATA	7:0								ODATA[7:0]	
		15:8								ODATA[15:8]	
		23:16									ODATA[23:16]
		31:24									ODATA[31:24]

### 42.6.1 TRNG Control Register

**Name:** TRNG\_CR  
**Offset:** 0x00  
**Reset:** -  
**Property:** Write-only

Bit	31	30	29	28	27	26	25	24
	WAKEY[23:16]							
Access	W	W	W	W	W	W	W	W
Reset	0	0	0	0	0	0	0	0
Bit	23	22	21	20	19	18	17	16
	WAKEY[15:8]							
Access	W	W	W	W	W	W	W	W
Reset	0	0	0	0	0	0	0	0
Bit	15	14	13	12	11	10	9	8
	WAKEY[7:0]							
Access	W	W	W	W	W	W	W	W
Reset	0	0	0	0	0	0	0	-
Bit	7	6	5	4	3	2	1	0
								ENABLE
Access								W
Reset								-

#### Bits 31:8 - WAKEY[23:0] Register Write Access Key

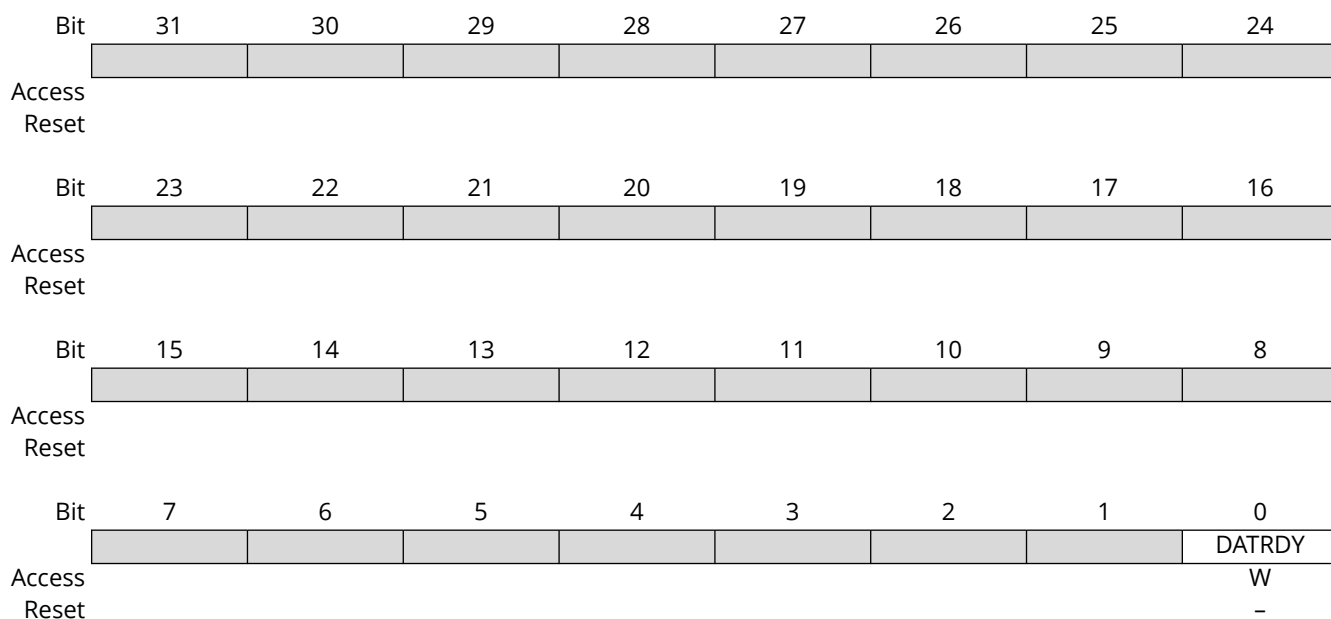
Value	Name	Description
0x524E47	PASSWD	Writing any other value in this field aborts the write operation.

#### Bit 0 - ENABLE Enables the TRNG to Provide Random Values

Value	Description
0	Disables the TRNG.
1	Enables the TRNG if 0x524E47 ("RNG" in ASCII) is written in KEY field at the same time.

## 42.6.2 TRNG Interrupt Enable Register

**Name:** TRNG\_IER  
**Offset:** 0x10  
**Reset:** -  
**Property:** Write-only

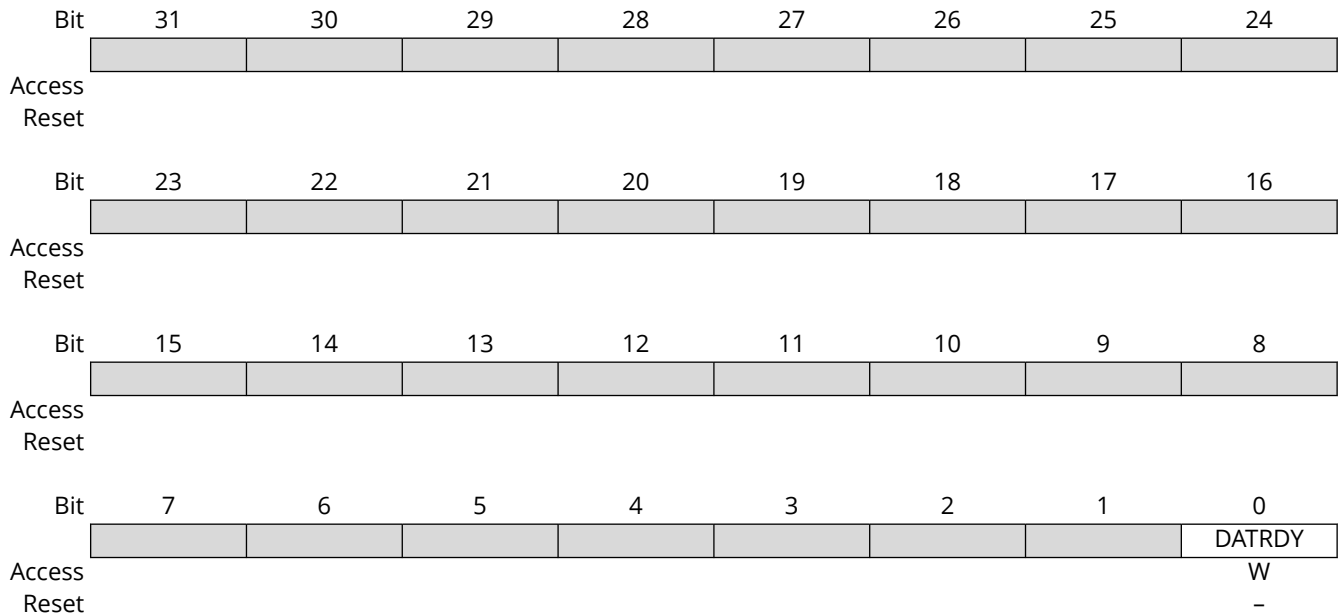


### Bit 0 - DATRDY Data Ready Interrupt Enable

Value	Description
0	No effect.
1	Enables the corresponding interrupt.

### 42.6.3 TRNG Interrupt Disable Register

**Name:** TRNG\_IDR  
**Offset:** 0x14  
**Reset:** -  
**Property:** Write-only

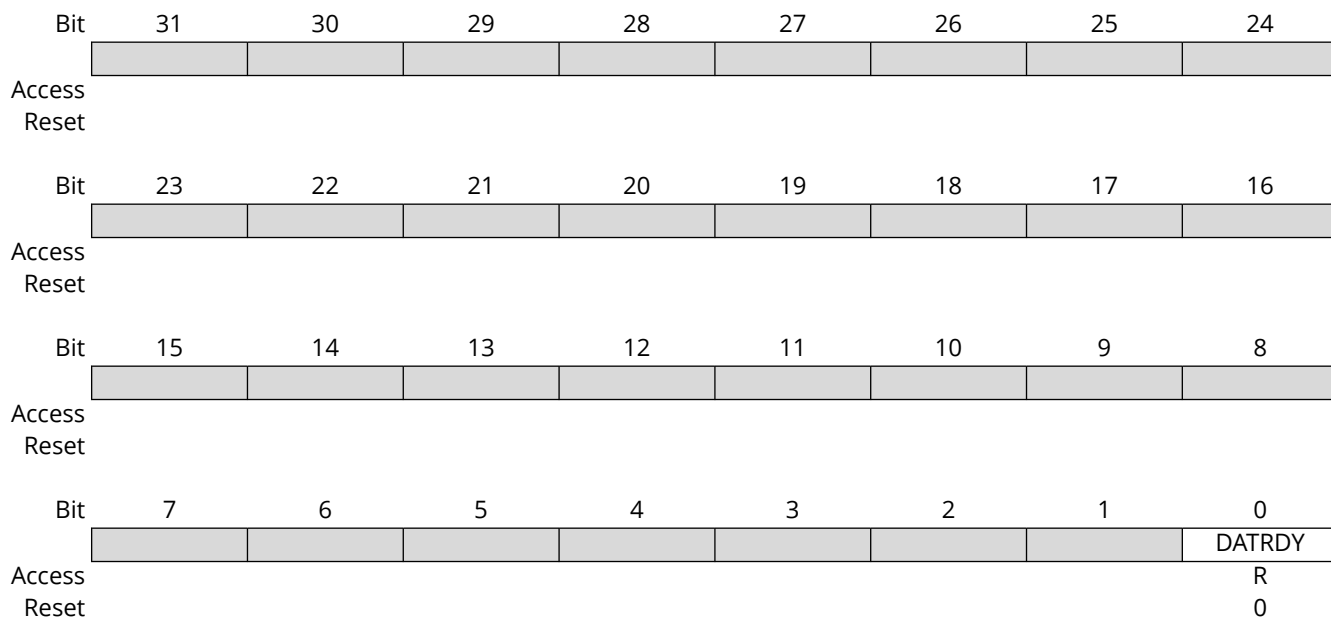


#### Bit 0 - DATRDY Data Ready Interrupt Disable

Value	Description
0	No effect.
1	Disables the corresponding interrupt.

#### 42.6.4 TRNG Interrupt Mask Register

**Name:** TRNG\_IMR  
**Offset:** 0x18  
**Reset:** 0x00000000  
**Property:** Read-only

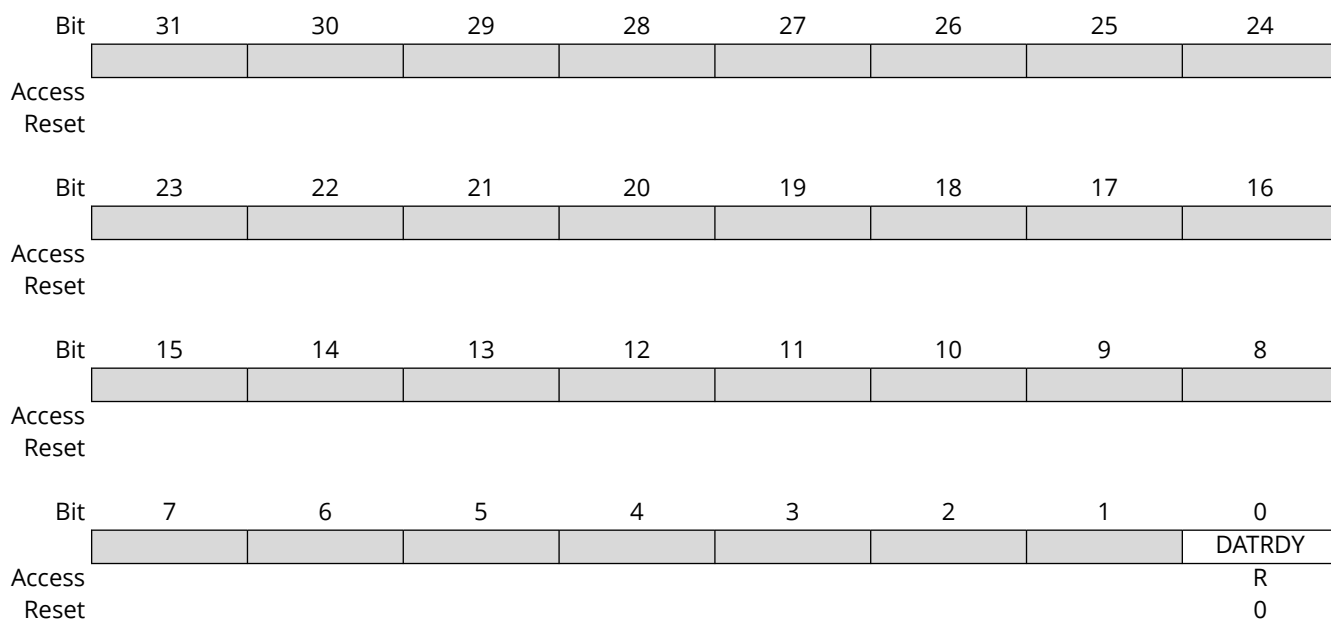


##### Bit 0 - DATRDY Data Ready Interrupt Mask

Value	Description
0	The corresponding interrupt is not enabled.
1	The corresponding interrupt is enabled.

### 42.6.5 TRNG Interrupt Status Register

**Name:** TRNG\_ISR  
**Offset:** 0x1C  
**Reset:** 0x00000000  
**Property:** Read-only



#### Bit 0 - DATRDY Data Ready (cleared on read)

Value	Description
0	Output data is not valid or TRNG is disabled.
1	New random value is completed since the last read of TRNG_ODATA.



## 42.6.6 TRNG Output Data Register

**Name:** TRNG\_ODATA  
**Offset:** 0x50  
**Reset:** 0x00000000  
**Property:** Read-only

Bit	31	30	29	28	27	26	25	24
	ODATA[31:24]							
Access	R	R	R	R	R	R	R	R
Reset	0	0	0	0	0	0	0	0
Bit	23	22	21	20	19	18	17	16
	ODATA[23:16]							
Access	R	R	R	R	R	R	R	R
Reset	0	0	0	0	0	0	0	0
Bit	15	14	13	12	11	10	9	8
	ODATA[15:8]							
Access	R	R	R	R	R	R	R	R
Reset	0	0	0	0	0	0	0	0
Bit	7	6	5	4	3	2	1	0
	ODATA[7:0]							
Access	R	R	R	R	R	R	R	R
Reset	0	0	0	0	0	0	0	0

### Bits 31:0 – ODATA[31:0] Output Data

The 32-bit Output Data register contains the 32-bit random data.

## 43. Secure Hash Algorithm (SHA)

### 43.1 Description

The Secure Hash Algorithm (SHA) is compliant with the American *FIPS (Federal Information Processing Standard) Publication 180-2* specification.

The 512/1024-bit block of message is respectively stored in 16/32 x 32-bit registers, (SHA\_IDATARx/SHA\_IODATARx) which are write-only.

As soon as the input data is written, hash processing can be started. The registers comprising the block of a message must be entered consecutively. Then, after the processing period, the message digest is ready to be read out on the 5 up to 8/16 x 32-bit output data registers (SHA\_IODATARx) or through the DMA channels.

### 43.2 Embedded Characteristics

- Supports Hash-based Message Authentication Code (HMAC) Algorithm (HMAC-SHA1, HMAC-SHA224, HMAC-SHA256, HMAC-SHA384, HMAC-SHA512, )
- Compliant with FIPS Publication 180-2
- Supports Automatic Padding of Messages
- Supports Up to 2 Sets of Initial Hash Values Registers (HMAC Acceleration or other)
- Supports Automatic Check of the Hash (HMAC Acceleration or other)
- Configurable Processing Period:
  - 85 clock cycles to obtain a fast SHA1 runtime, 88 clock cycles for SHA384, SHA512 or 209 Clock Cycles for Maximizing Bandwidth of Other Applications
  - 72 clock cycles to obtain a fast SHA224, SHA256 runtime or 194 clock cycles for maximizing bandwidth of other applications
- Connection to DMA Channel Capabilities Optimizes Data Transfers
- Double Input Buffer Optimizes Runtime
- Register Write Protection

### 43.3 Product Dependencies

#### 43.3.1 Power Management

The SHA may be clocked through the Power Management Controller (PMC), so the programmer must first configure the PMC to enable the SHA clock.

#### 43.3.2 Interrupt Sources

The SHA interface has an interrupt line connected to the Interrupt Controller.

Handling the SHA interrupt requires programming the Interrupt Controller before configuring the SHA.

### 43.4 Functional Description

The Secure Hash Algorithm (SHA) module requires a padded message according to FIPS180-2 specification. This message can be provided with the padding to the SHA module, or the padding can be automatically computed by the SHA module if the size of the message is provided. The first block of the message must be indicated to the module by a specific command. The SHA module produces an N-bit message digest each time a block is written and processing period ends, where N is 160 for SHA1, 224 for SHA224, 256 for SHA256, 384 for SHA384, 512 for SHA512. The SHA module is also capable of computing Hash-based Message Authentication Code (HMAC) algorithm.

#### 43.4.1 SHA Algorithm

The SHA can process SHA1, SHA224, SHA256, SHA384, SHA512 by configuring the ALGO field in the SHA Mode register (SHA\_MR).

#### 43.4.2 HMAC Algorithm

The HMAC algorithm is as follows:

$$\text{HMAC}_K(m) = h((K_0 \oplus \text{opad}) || h((K_0 \oplus \text{ipad}) || m))$$

where:

- h = SHA function
- $K_0$  = the key K after any necessary pre-processing to form a block size key
- m = message to authenticate
- || = concatenation operator
- $\oplus$  = XOR operator
- ipad = predefined constant (0x3636...3636)
- opad = predefined constant (0x5C5C...5C5C)

The SHA provides a fully optimized processing of the HMAC algorithm by executing the following operations:

- starting the SHA algorithm from any user predefined hash value, thus 'h( $K_0 \oplus \text{ipad}$ )' for first HMAC hash and 'h( $K_0 \oplus \text{opad}$ )' for second HMAC hash
- performing automatic padding
- routing automatically the first hash result 'h( $(K_0 \oplus \text{ipad}) || m$ )' to the source of the second hash processing 'h( $(K_0 \oplus \text{opad}) || (\text{first hash result})$ )' including the concatenation of the first hash result to ' $K_0 \oplus \text{opad}$ '.

To perform the HMAC operation, the ALGO field value must be greater than 7, the automatic padding feature must be enabled (MSGSIZE and BYTCNT fields differ from 0) and the SHA internal initial hash value registers 0 and 1 must be configured, respectively, with the hash results of input blocks " $K_0 \oplus \text{ipad}$ " and " $K_0 \oplus \text{opad}$ " (see [Internal Registers for Initial Hash Value or Expected Hash Result](#)).

The size of the message ('m') must be written in the MSGSIZE and BYTCNT fields.

The FIRST bit in the SHA Control register (SHA\_CR) should be set before writing the first block of the message.

The SHA can process HMAC-SHA1, HMAC-SHA224, HMAC-SHA256, HMAC-SHA384, HMAC-SHA512 by configuring the ALGO field in the SHA\_MR.

#### 43.4.3 Processing Period

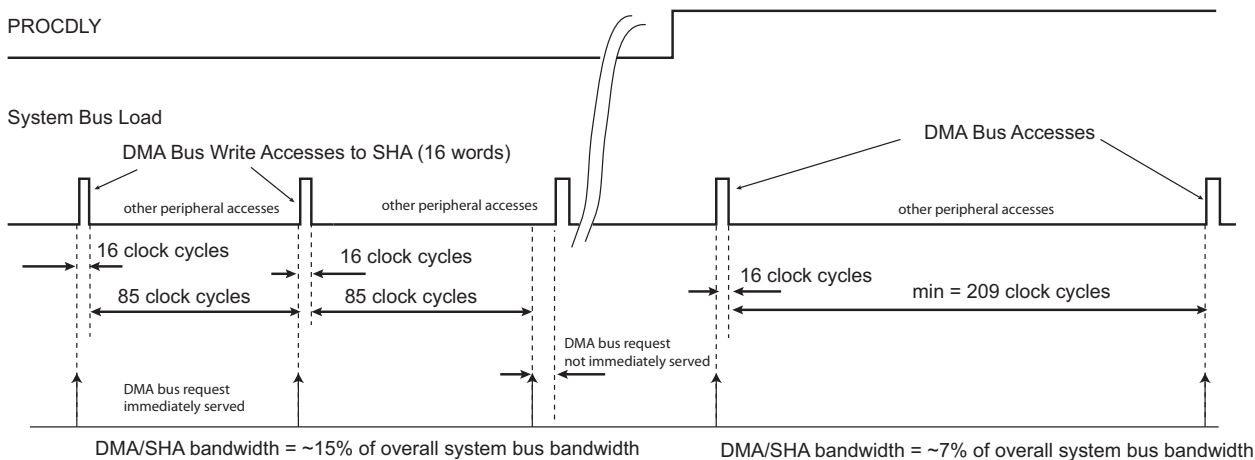
When SHA is enabled and DMA is used to write the messages, the inherent processing period may result, depending on the application, in a significant bandwidth usage at system bus level. In some applications, it may be important to keep as much bandwidth as possible for the other peripherals (e.g. CPU, other DMA channels). The SHA engine inherent processing period can be configured to reduce the bandwidth required by writing SHA\_MR.PROCDLY=1.

In SHA1 mode, the shortest processing period is 85 clock cycles + 2 clock cycles for start command synchronization (SHA\_MR.PROCDLY=0). The longest period is 209 clock cycles + 2 clock cycles when SHA\_MR.PROCDLY=1 (see the figure below).

In SHA256 mode, the shortest processing period is 72 clock cycles + 2 clock cycles for start command synchronization (SHA\_MR.PROCDLY=0). The longest period is 194 clock cycles + 2 clock cycles when SHA\_MR.PROCDLY=1.

In SHA384 or SHA512 mode, the shortest processing period is 88 clock cycles + 2 clock cycles for start command synchronization. The longest period is 209 clock cycles + 2 clock cycles.

**Figure 43-1.** Bandwidth Usage in SHA-1 Mode



#### 43.4.4 Double Input Buffer

The SHA Input Data registers (SHA\_IDATARx) can be double-buffered to reduce the runtime of large messages.

Double-buffering allows a new message block to be written while the previous message block is being processed. This is only possible when DMA accesses are performed (SMOD = 2).

The DUALBUFF bit in the SHA\_MR must be set to have double input buffer access.

#### 43.4.5 Internal Registers for Initial Hash Value or Expected Hash Result

The SHA module embeds two sets of internal registers (IR0, IR1) to store different data used by the SHA or HMAC algorithms (See the figure below). These internal registers are accessed through SHA Input Data registers (SHA\_IDATARx).

When the ALGO field selects SHA algorithms, IR0 can be configured with a user initial hash value. This initial hash value can be used to compute a custom hash algorithm with two sets of different initial constants, or to continue a hash computation by providing the intermediate hash value previously returned by the SHA module.

When the ALGO field selects SHA algorithms, IR1 can be configured with either a user initial hash value or an expected hash result. The expected hash result must be configured in the IR1 if the field CHECK = 1 (refer to [Automatic Check](#)). If the field CHECK = 0 or 2, IR1 can be configured with a user initial hash value that differs from IR0 value.

When the ALGO field selects HMAC algorithms, IR0 must be configured with the hash result of  $K_0 \oplus \text{ipad}$  and IR1 must be configured with the hash result of  $K_0 \oplus \text{opad}$ . These pre-computed first blocks speed up the HMAC computation by saving the time to compute the intermediate hash values of the first block which is constant while the secret key is constant (See [HMAC Algorithm](#)).

**Table 43-1.** Configuration Values of Internal Registers

Register	SHA Modes (ALGO < 8)			HMAC Modes (ALGO > 7)
	CHECK = 0	CHECK = 1	CHECK = 2	
IR0	User Initial Hash	User Initial Hash	User Initial Hash	hash( $K_0 \oplus \text{ipad}$ )
IR1	User Initial Hash	Expected Hash Result	User Initial Hash	hash( $K_0 \oplus \text{opad}$ )

To calculate the initial HMAC values, follow this sequence:

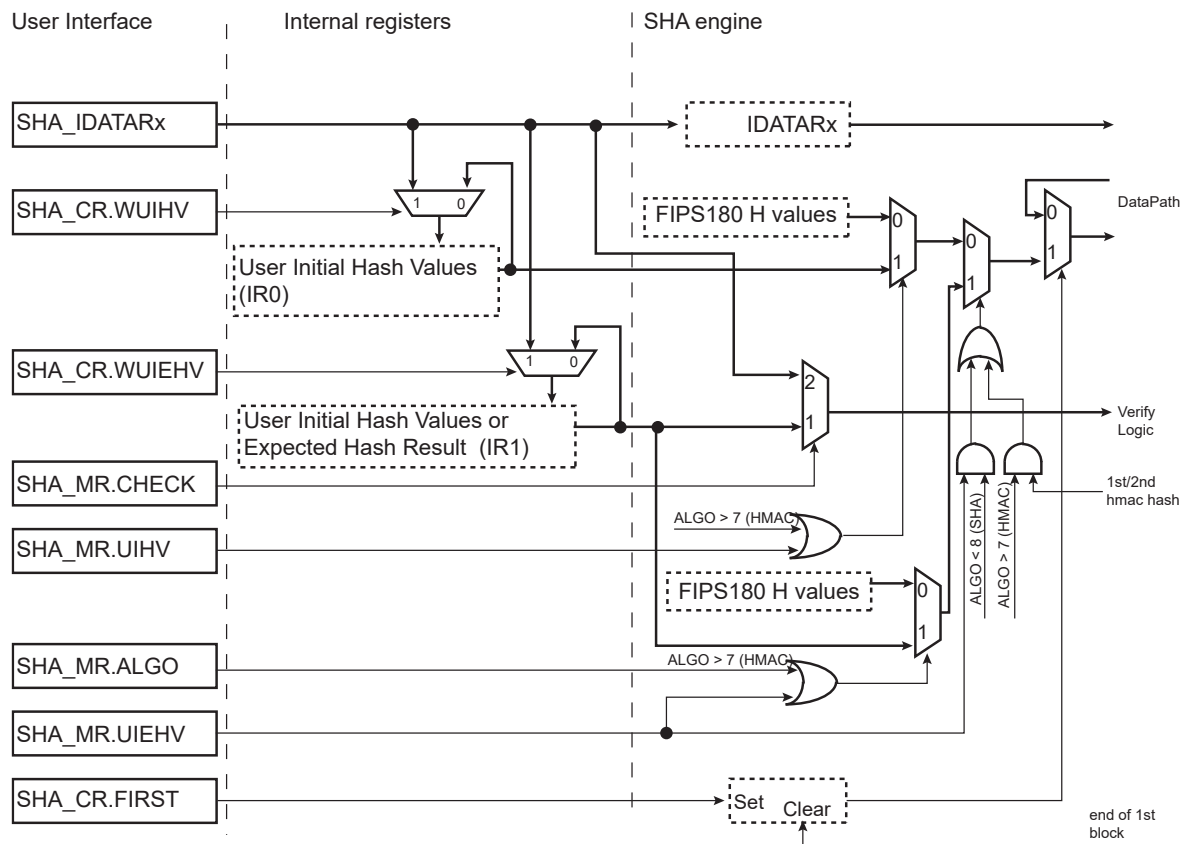
1. Calculate  $K_0$ .
2. Calculate  $K_0 \oplus \text{ipad}$  and  $K_0 \oplus \text{opad}$ .
3. Perform a hash of the result of  $K_0 \oplus \text{ipad}$  and  $K_0 \oplus \text{opad}$  (auto-padding must be disabled for that type of hash).
4. Write  $h(K_0 \oplus \text{ipad})$  and  $h(K_0 \oplus \text{opad})$  in IR0 and IR1 respectively.

To write IR0 or IR1, follow this sequence:

1. Set SHA\_CR.WUIHV (IR0) or SHA\_CR.WUIEHV (IR1).
2. Write the data in SHA\_IDATARx. The number of registers to write depends on the type of data (user initial hash values or expected hash result) and on the type of algorithm selected:
  - SHA\_IDATAR0 to SHA\_IDATAR4 for data used in algorithms based on SHA1
  - SHA\_IDATAR0 to SHA\_IDATAR7 for data used in algorithms based on SHA256
  - SHA\_IDATAR0 to SHA\_IDATAR15 for data used in algorithms based on SHA512
  - SHA\_IDATAR0 to SHA\_IDATAR6 for expected hash result of algorithms based on SHA224
  - SHA\_IDATAR0 to SHA\_IDATAR11 for expected hash result of algorithms based on SHA384
3. Clear SHA\_CR.WUIHV or SHA\_CR.WUIEHV.

IR0 and IR1 are automatically selected for HMAC processing if the field ALGO selects HMAC algorithms. If SHA algorithms are selected, the internal registers are selected if the corresponding UIHV or UIEHV bits are set.

**Figure 43-2.** User Initial Hash Value and Expected Hash Internal Register Access



#### 43.4.6 Automatic Padding

The SHA module features an automatic padding computation to speed up the execution of the algorithm.

The automatic padding function requires the following information:

- Complete message size in bytes to be written in the MSGSIZE field of the SHA Message Size register (SHA\_MSR).  
The size of the message is written at the end of the last block, as required by the FIPS180-2 specification (the size is automatically converted into a bit-size).
- Number of remaining bytes (to write in the SHA\_IDATARx) to be written in the BYTCNT field of the SHA Bytes Count register (SHA\_BCR).  
Automatic padding occurs when the BYTCNT field reaches 0. At each write in the SHA Input registers, the BYTCNT field value is decreased by the number of bytes written.

The BYTCNT field value must be written with the same value as the MSGSIZE field value if the full message is processed. If the message is partially preprocessed and an initial hash value is used, BYTCNT must be written with the remaining bytes to hash while MSGSIZE holds the message size.

To disable the automatic padding feature, the MSGSIZE and BYTCNT fields must be configured with 0.

#### 43.4.7 Automatic Check

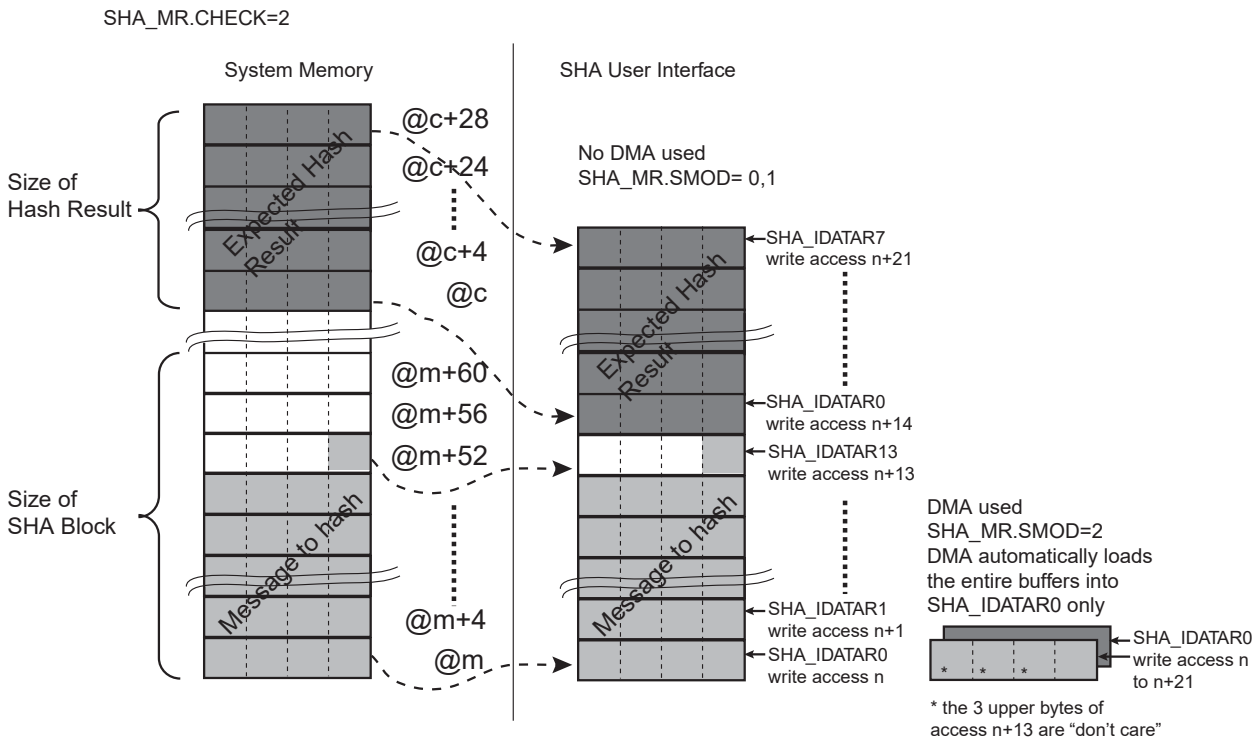
The SHA module features an automatic check of the hash result with the expected hash. A check failure can generate an interrupt if configured in the SHA Interrupt Enable register (SHA\_IER).

Automatic check requires the automatic padding feature to be enabled (MSGSIZE and BYTCNT fields must be greater than 0).

There are two methods to configure the expected hash result:

- if SHA\_MR.CHECK = 1, the expected hash result is read from the internal register (IR1). This method cannot be used when HMAC algorithms is selected because this register is already used to store user initial hash values for the second hash processing. IR1 cannot be read by software.
- If SHA\_MR.CHECK = 2, the expected hash result is written in the SHA\_IDATARx after the message.

When SHA\_MR.CHECK = 2, the method can provide more flexibility of use if a message is stored in system memory together with its expected hash result. A DMA with linked list can be used to ease the transfer of the message and its expected hash result.

**Figure 43-3.** Message and Expected Hash Result Memory Mapping

The number of 32-bit words of the hash result to check with the expected hash can be selected with SHA\_MR.CHKCNT. The status of the check is available in the CHKST field in the SHA Interrupt Status register (SHA\_ISR).

An interrupt can be generated (if enabled) when the check is completed. The check occurs several clock cycles after the computation of the requested hash, so the interrupt and the CHECKF bit are set several clock cycles after the DATRDY flag of the SHA\_ISR.

#### 43.4.8 Start Modes

SHA\_MR.SMOD is used to select the Hash Processing Start mode.

##### 43.4.8.1 Manual Mode

In Manual mode, the sequence is as follows:

1. Set SHA\_IER.DATRDY (Data Ready), depending on whether an interrupt is required at the end of processing.
2. If the initial hash values differ from the FIPS standard, set SHA\_MR.UIHV and/or SHA\_MR.UIEHV. If the initial hash values comply with the FIPS180-2 specification, clear SHA\_MR.UIHV and/or SHA\_MR.UIEHV.
3. If automatic padding is required, configure SHA\_MSR.MSGSIZE with the number of bytes of the message, and configure SHA\_BCR.BYTCNT with the remaining number of bytes to write. The BYTCNT field must be written with a value different from MSGSIZE field value if the message is preprocessed and completed by using user initial hash values. If automatic padding is not required, configure SHA\_MSR.MSGSIZE and SHA\_BCR.BYTCNT to 0.
4. For the first block of a message, the FIRST command must be set by writing a 1 into the corresponding bit of the Control register (SHA\_CR). For the other blocks, there is nothing to write.
5. Write the block to be processed in the SHA\_IDATARx.
6. To begin processing, set SHA\_CR.START.

7. When processing is completed, the bit DATRDY in the Interrupt Status register (SHA\_ISR) rises. If an interrupt has been enabled by setting SHA\_IER.DATRDY, the interrupt line of the SHA is activated.
8. Repeat the write procedure for each block, start procedure and wait for the interrupt procedure up to the last block of the entire message. Each time the start procedure is complete, the DATRDY flag is cleared.
9. After the last block is processed (DATRDY flag is set, if an interrupt has been enabled by setting SHA\_IER.DATRDY, the interrupt line of the SHA is activated), read the message digest in the Output Data registers. The DATRDY flag is automatically cleared when reading the SHA\_IODATARx registers.

#### 43.4.8.2 Auto Mode

In Auto mode, processing starts as soon as the correct number of SHA\_IDATARx is written. No action in the SHA\_CR is necessary.

#### 43.4.8.3 DMA Mode

The DMA can be used in association with the SHA to perform the algorithm on a complete message without any action by the software during processing.

SHA\_MR.SMOD must be configured to 2.

The DMA must be configured with non-incremental addresses.

The start address of any transfer descriptor must be set to point to the SHA\_IDATAR0.

The DMA chunk size must be set to transfer, for each trigger request, 16 words of 32 bits.

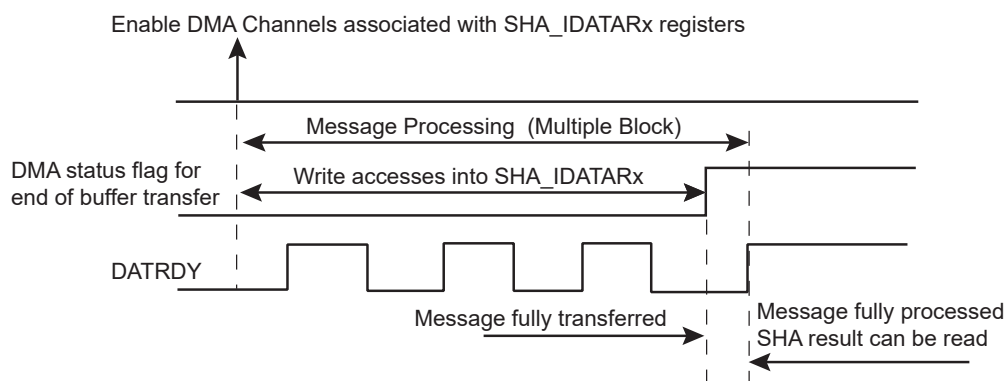
The FIRST bit of the SHA\_CR must be set before starting the DMA when the first block is transferred.

The DMA generates an interrupt when the end of buffer transfer is completed but the SHA processing is still in progress. The end of SHA processing is indicated by the flag DATRDY in the SHA\_ISR.

If automatic padding is disabled, the end of SHA processing requires two interrupts to be verified. The DMA end of transfer interrupt must be verified first, then the SHA DATRDY interrupt must be enabled and verified.

If automatic padding is enabled, the end of SHA processing requires only one interrupt to be verified. The DMA end of transfer is not required, so the SHA DATRDY interrupt must be enabled prior to start the DMA and DATRDY interrupt is the only one to be verified. Refer to the figures below.

**Figure 43-4.** Interrupts Processing with DMA







If the message has not already been stored in the system memory, the first step is to convert the input message to little-endian before writing to the SHA\_IDATARx registers. This would result in a write of:

SHA\_IDATAR0 = 0x80636261..... SHA\_IDATAR15 = 0x18000000

The data in the output message digest registers, SHA\_IODATARx, contain SHA\_IODATAR0 = 0xbf1678ba... SHA\_IODATAR7 = 0xad1500f2 which is the little-endian format of 0xba7816bf,..., 0xf20015ad.

Reading SHA\_IODATAR0 to SHA\_IODATAR1 and storing into a little-endian memory system forces hash results to be stored in the same format as the message.

When the output message is read, the user can convert back to big-endian for a resulting message value of:

0xba7816bf\_8f01cfea\_414140de\_5dae2223\_b00361a3\_96177a9c\_b410ff61\_f20015ad

### 43.4.9 Security Features

#### 43.4.9.1 Unspecified Register Access Detection

When an unspecified register access occurs, the URAD bit in the SHA\_ISR is set. Its source is then reported in the Unspecified Register Access Type field (URAT). Only the last unspecified register access is available through the URAT field.

Several kinds of unspecified register accesses can occur:

- SHA\_IDATARx written during data processing in DMA mode
- SHA\_IODATARx read during data processing
- SHA\_MR written during data processing
- Write-only register read access

The URAD bit and the URAT field can only be reset by the SWRST bit in the SHA\_CR.

#### 43.4.9.2 Register Write Protection

To prevent any single software error from corrupting SHA behavior, certain registers in the address space can be write-protected by setting the WPEN (Write Protection Enable), WPITEN (Write Protection Interrupt Enable), and/or WPCREN (Write Protection Control Enable) bits in the SHA Write Protection Mode register (SHA\_WPMR).

If a write access to a write-protected register is detected, the Write Protection Violation Status (WPVS) flag in the SHA Write Protection Status register (SHA\_WPSR) is set and the Write Protection Violation Source (WPVSR) field indicates the register in which the write access has been attempted.

The WPVS bit is automatically cleared after reading SHA\_WPSR.

The following register(s) can be write-protected when SHA\_WPMR.WPEN is set:

- [SHA Mode Register](#)
- [SHA Message Size Register](#)
- [SHA Bytes Count Register](#)

The following register(s) can be write-protected when WPITEN is set:

- [SHA Interrupt Enable Register](#)
- [SHA Interrupt Disable Register](#)

The following register(s) can be write-protected when WPCREN is set:

- [SHA Control Register](#)

## 43.5 Register Summary

Offset	Name	Bit Pos.	7	6	5	4	3	2	1	0	
0x00	SHA_CR	7:0				FIRST				START	
		15:8			WUIEHV	WUIHV				SWRST	
		23:16									
		31:24									
0x04	SHA_MR	7:0		UIEHV	UIHV					SMOD[1:0]	
		15:8						ALGO[3:0]			
		23:16									DUALBUFF
		31:24			CHKCNT[3:0]						CHECK[1:0]
0x08 ... 0x0F	Reserved										
0x10	SHA_IER	7:0								DATRDY	
		15:8								URAD	
		23:16									CHECKF
		31:24									SECE
0x14	SHA_IDR	7:0								DATRDY	
		15:8								URAD	
		23:16									CHECKF
		31:24									SECE
0x18	SHA_IMR	7:0								DATRDY	
		15:8								URAD	
		23:16									CHECKF
		31:24									SECE
0x1C	SHA_ISR	7:0				WRDY				DATRDY	
		15:8			URAT[2:0]					URAD	
		23:16			CHKST[3:0]						CHECKF
		31:24									SECE
0x20	SHA_MSR	7:0					MSGSIZE[7:0]				
		15:8					MSGSIZE[15:8]				
		23:16					MSGSIZE[23:16]				
		31:24					MSGSIZE[31:24]				
0x24 ... 0x2F	Reserved										
0x30	SHA_BCR	7:0					BYTCNT[7:0]				
		15:8					BYTCNT[15:8]				
		23:16					BYTCNT[23:16]				
		31:24					BYTCNT[31:24]				
0x34 ... 0x3F	Reserved										
0x40	SHA_IDATAR0	7:0					IDATA[7:0]				
		15:8					IDATA[15:8]				
		23:16					IDATA[23:16]				
		31:24					IDATA[31:24]				
...											
0x7C	SHA_IDATAR15	7:0					IDATA[7:0]				
		15:8					IDATA[15:8]				
		23:16					IDATA[23:16]				
		31:24					IDATA[31:24]				
0x80	SHA_IODATAR0	7:0					IODATA[7:0]				
		15:8					IODATA[15:8]				
		23:16					IODATA[23:16]				
		31:24					IODATA[31:24]				
...											
0xBC	SHA_IODATAR15	7:0					IODATA[7:0]				
		15:8					IODATA[15:8]				
		23:16					IODATA[23:16]				
		31:24					IODATA[31:24]				

.....continued

Offset	Name	Bit Pos.	7	6	5	4	3	2	1	0	
0xC0 ... 0xE3	Reserved										
0xE4	SHA_WPMR	7:0						WPCREN	WPITEN	WPEN	
		15:8	WPKEY[7:0]								
		23:16	WPKEY[15:8]								
		31:24	WPKEY[23:16]								
0xE8	SHA_WPSR	7:0								WPVS	
		15:8	WPVSR[7:0]								
		23:16									
		31:24									

### 43.5.1 SHA Control Register

**Name:** SHA\_CR  
**Offset:** 0x00  
**Reset:** -  
**Property:** Write-only

Bit	31	30	29	28	27	26	25	24
Access								
Reset								
Bit	23	22	21	20	19	18	17	16
Access								
Reset								
Bit	15	14	13	12	11	10	9	8
Access			WUIEHV	WUIHV				SWRST
Reset			W	W				W
Bit	7	6	5	4	3	2	1	0
Access				FIRST				START
Reset				W				W

#### Bit 13 – WUIEHV Write User Initial or Expected Hash Values

Value	Description
0	SHA_IDATARx accesses are routed to the data registers.
1	SHA_IDATARx accesses are routed to the internal registers (IR1).

#### Bit 12 – WUIHV Write User Initial Hash Values

Value	Description
0	SHA_IDATARx accesses are routed to the data registers.
1	SHA_IDATARx accesses are routed to the internal registers (IRO).

#### Bit 8 – SWRST Software Reset

Value	Description
0	No effect.
1	Resets the SHA. A software-triggered hardware reset of the SHA interface is performed.

#### Bit 4 – FIRST First Block of a Message

Value	Description
0	No effect.
1	Indicates that the next block to process is the first one of a message.

#### Bit 0 – START Start Processing

Value	Description
0	No effect.
1	Starts manual hash algorithm process.

### 43.5.2 SHA Mode Register

**Name:** SHA\_MR  
**Offset:** 0x04  
**Reset:** 0x0000100  
**Property:** Read/Write

Bit	31	30	29	28	27	26	25	24
	CHKCNT[3:0]						CHECK[1:0]	
Access	R/W	R/W	R/W	R/W			R/W	R/W
Reset	0	0	0	0			0	0
Bit	23	22	21	20	19	18	17	16
								DUALBUFF
Access								R/W
Reset								0
Bit	15	14	13	12	11	10	9	8
					ALGO[3:0]			
Access					R/W	R/W	R/W	R/W
Reset					0	0	0	1
Bit	7	6	5	4	3	2	1	0
		UIEHV	UIHV				SMOD[1:0]	
Access		R/W	R/W				R/W	R/W
Reset		0	0				0	0

#### Bits 31:28 – CHKCNT[3:0] Check Counter

Number of 32-bit words to check. The value 0 indicates that the number of words to compare will be based on the algorithm selected (5 words for SHA1, 7 words for SHA224, 8 words for SHA256, 12 words for SHA384, 16 words for SHA512).

#### Bits 25:24 – CHECK[1:0] Hash Check

Values not listed in table must be considered as “reserved”.

Value	Name	Description
0	NO_CHECK	No check is performed
1	CHECK_EHV	Check is performed with expected hash stored in internal expected hash value registers.
2	CHECK_MESSAGE	Check is performed with expected hash provided after the message.

#### Bit 16 – DUALBUFF Dual Input Buffer

Value	Name	Description
0	INACTIVE	SHA_IDATARx and SHA_IODATARx cannot be written during processing of previous block.
1	ACTIVE	SHA_IDATARx and SHA_IODATARx can be written during processing of previous block when SMOD value = 2. It speeds up the overall runtime of large files.

#### Bits 11:8 – ALGO[3:0] SHA Algorithm

Values not listed in the table must be considered as “reserved”.

Value	Name	Description
0	SHA1	SHA1 algorithm processed
1	SHA256	SHA256 algorithm processed
2	SHA384	SHA384 algorithm processed
3	SHA512	SHA512 algorithm processed
4	SHA224	SHA224 algorithm processed
8	HMAC_SHA1	HMAC algorithm with SHA1 Hash processed

Value	Name	Description
9	HMAC_SHA256	HMAC algorithm with SHA256 Hash processed
10	HMAC_SHA384	HMAC algorithm with SHA384 Hash processed
11	HMAC_SHA512	HMAC algorithm with SHA512 Hash processed
12	HMAC_SHA224	HMAC algorithm with SHA224 Hash processed

#### Bit 6 – UIEHV User Initial or Expected Hash Value Registers

Value	Description
0	The SHA algorithm is started with the standard initial values as defined in the FIPS180-2 specification.
1	The SHA algorithm is started with the user initial hash values stored in the internal register 1 (IR1). If HMAC is configured, UIEHV has no effect (i.e. IR1 is always selected).

#### Bit 5 – UIHV User Initial Hash Values

Value	Description
0	The SHA algorithm is started with the standard initial values as defined in the FIPS180-2 specification.
1	The SHA algorithm is started with the user initial hash values stored in the internal register 0 (IR0). If HMAC is configured, UIHV has no effect (i.e. IR0 is selected).

#### Bits 1:0 – SMOD[1:0] Start Mode

Values not listed in the table must be considered as “reserved”.

If a DMA transfer is used, configure the SMOD value to 2. See [DMA Mode](#) for details.

Value	Name	Description
0	MANUAL_START	Manual mode
1	AUTO_START	Auto mode
2	IDATAR0_START	SHA_IDATAR0 access only mode (mandatory when DMA is used)

### 43.5.3 SHA Interrupt Enable Register

**Name:** SHA\_IER  
**Offset:** 0x10  
**Reset:** -  
**Property:** Write-only

The following configuration values are valid for all listed bit names of this register:

0: No effect.

1: Enables the corresponding interrupt.

Bit	31	30	29	28	27	26	25	24
								SECE
Access								W
Reset								-
Bit	23	22	21	20	19	18	17	16
								CHECKF
Access								W
Reset								-
Bit	15	14	13	12	11	10	9	8
								URAD
Access								W
Reset								-
Bit	7	6	5	4	3	2	1	0
								DATRDY
Access								W
Reset								-

**Bit 24 – SECE** Safety Event Interrupt Enable

**Bit 16 – CHECKF** Check Done Interrupt Enable

**Bit 8 – URAD** Unspecified Register Access Detection Interrupt Enable

**Bit 0 – DATRDY** Data Ready Interrupt Enable



### 43.5.4 SHA Interrupt Disable Register

**Name:** SHA\_IDR  
**Offset:** 0x14  
**Reset:** -  
**Property:** Write-only

The following configuration values are valid for all listed bit names of this register:

0: No effect.

1: Disables the corresponding interrupt.

Bit	31	30	29	28	27	26	25	24
								SECE
Access								W
Reset								-
Bit	23	22	21	20	19	18	17	16
								CHECKF
Access								W
Reset								-
Bit	15	14	13	12	11	10	9	8
								URAD
Access								W
Reset								-
Bit	7	6	5	4	3	2	1	0
								DATRDY
Access								W
Reset								-

**Bit 24 - SECE** Safety Event Interrupt Disable

**Bit 16 - CHECKF** Check Done Interrupt Disable

**Bit 8 - URAD** Unspecified Register Access Detection Interrupt Disable

**Bit 0 - DATRDY** Data Ready Interrupt Disable

### 43.5.5 SHA Interrupt Mask Register

**Name:** SHA\_IMR  
**Offset:** 0x18  
**Reset:** 0x00000000  
**Property:** Read-only

The following configuration values are valid for all listed bit names of this register:

0: The corresponding interrupt is not enabled.

1: The corresponding interrupt is enabled.

Bit	31	30	29	28	27	26	25	24
								SECE
Access								R
Reset								0
Bit	23	22	21	20	19	18	17	16
								CHECKF
Access								R
Reset								0
Bit	15	14	13	12	11	10	9	8
								URAD
Access								R
Reset								0
Bit	7	6	5	4	3	2	1	0
								DATRDY
Access								R
Reset								0

**Bit 24 - SECE** Safety Event Interrupt Mask

**Bit 16 - CHECKF** Check Done Interrupt Mask

**Bit 8 - URAD** Unspecified Register Access Detection Interrupt Mask

**Bit 0 - DATRDY** Data Ready Interrupt Mask

### 43.5.6 SHA Interrupt Status Register

**Name:** SHA\_ISR  
**Offset:** 0x1C  
**Reset:** 0x00000000  
**Property:** Read-only

Bit	31	30	29	28	27	26	25	24
								SECE
Access								R
Reset								0
Bit	23	22	21	20	19	18	17	16
	CHKST[3:0]						CHECKF	
Access	R	R	R	R				R
Reset	0	0	0	0				0
Bit	15	14	13	12	11	10	9	8
			URAT[2:0]					URAD
Access		R	R	R				R
Reset		0	0	0				0
Bit	7	6	5	4	3	2	1	0
			WRDY				DATRDY	
Access			R				R	
Reset			0				0	

#### Bit 24 – SECE Safety Event

Value	Description
0	There is no report in SHA_WPSR.
1	There is a Safety Event reported in SHA_WPSR.

#### Bits 23:20 – CHKST[3:0] Check Status (cleared by writing START or SWRST bits in SHA\_CR or by reading SHA\_IDATARx)

Value 5 indicates identical hash values (expected hash = hash result). Any other value indicates different hash values.

#### Bit 16 – CHECKF Check Done Status (cleared by writing START or SWRST bits in SHA\_CR or by reading SHA\_IDATARx)

Value	Description
0	Hash check has not been computed.
1	Hash check has been computed, status is available in the CHKST bits.

#### Bits 14:12 – URAT[2:0] Unspecified Register Access Type (cleared by writing a 1 to SWRST bit in SHA\_CR) Only the last Unspecified Register Access Type is available through the URAT field.

Value	Name
0	SHA_IDATAR0 to SHA_IDATAR15 written during data processing in DMA mode (URAD = 1 and URAT = 0 can occur only if DUALBUFF is cleared in SHA_MR)
1	Output Data Register read during data processing
2	SHA_MR written during data processing
3	Write-only register read access

#### Bit 8 – URAD Unspecified Register Access Detection Status (cleared by writing a 1 to SWRST bit in SHA\_CR)

Value	Description
0	No unspecified register access has been detected since the last SWRST.
1	At least one unspecified register access has been detected since the last SWRST.

**Bit 4 - WRDY** Input Data Register Write Ready

Value	Description
0	SHA_IDATAR0 cannot be written
1	SHA_IDATAR0 can be written

**Bit 0 - DATRDY** Data Ready (cleared by writing a 1 to bit SWRST or START in SHA\_CR, or by reading SHA\_IODATARx)

Value	Description
0	Output data is not valid.
1	512/1024-bit block process is completed. DATRDY is cleared when one of the following conditions is met: <ul style="list-style-type: none"> <li>• Bit START in SHA_CR is set.</li> <li>• Bit SWRST in SHA_CR is set.</li> <li>• The hash result is read.</li> </ul>

### 43.5.7 SHA Message Size Register

**Name:** SHA\_MSR  
**Offset:** 0x20  
**Reset:** 0x0  
**Property:** Read/Write

Bit	31	30	29	28	27	26	25	24
	MSGSIZE[31:24]							
Access	R/W	R/W	R/W	R/W	R/W	R/W	R/W	R/W
Reset	0	0	0	0	0	0	0	0
Bit	23	22	21	20	19	18	17	16
	MSGSIZE[23:16]							
Access	R/W	R/W	R/W	R/W	R/W	R/W	R/W	R/W
Reset	0	0	0	0	0	0	0	0
Bit	15	14	13	12	11	10	9	8
	MSGSIZE[15:8]							
Access	R/W	R/W	R/W	R/W	R/W	R/W	R/W	R/W
Reset	0	0	0	0	0	0	0	0
Bit	7	6	5	4	3	2	1	0
	MSGSIZE[7:0]							
Access	R/W	R/W	R/W	R/W	R/W	R/W	R/W	R/W
Reset	0	0	0	0	0	0	0	0

#### Bits 31:0 – MSGSIZE[31:0] Message Size

The size in bytes of the message. When MSGSIZE differs from 0, the SHA appends the corresponding value converted in bits after the padding section, as described in the FIPS180-2 specification. To disable automatic padding, MSGSIZE field must be written to 0.

### 43.5.8 SHA Bytes Count Register

**Name:** SHA\_BCR  
**Offset:** 0x30  
**Reset:** 0x00000000  
**Property:** Read/Write

Bit	31	30	29	28	27	26	25	24
	BYTCNT[31:24]							
Access	R/W	R/W	R/W	R/W	R/W	R/W	R/W	R/W
Reset	0	0	0	0	0	0	0	0
Bit	23	22	21	20	19	18	17	16
	BYTCNT[23:16]							
Access	R/W	R/W	R/W	R/W	R/W	R/W	R/W	R/W
Reset	0	0	0	0	0	0	0	0
Bit	15	14	13	12	11	10	9	8
	BYTCNT[15:8]							
Access	R/W	R/W	R/W	R/W	R/W	R/W	R/W	R/W
Reset	0	0	0	0	0	0	0	0
Bit	7	6	5	4	3	2	1	0
	BYTCNT[7:0]							
Access	R/W	R/W	R/W	R/W	R/W	R/W	R/W	R/W
Reset	0	0	0	0	0	0	0	0

#### Bits 31:0 – BYTCNT[31:0] Remaining Byte Count Before Auto Padding

When the hash processing starts from the beginning of a message (without preprocessed hash part), BYTCNT must be written with the same value as the MSGSIZE. If a part of the message has been already hashed and the hash does not start from the beginning, BYTCNT must be configured with the number of bytes remaining to process before padding section.

When read, provides the size in bytes of message remaining to be written before the automatic padding starts.

BYTCNT field is automatically updated each time a write occurs in the SHA\_IDATARx and SHA\_IODATARx.

When BYTCNT reaches 0, the MSGSIZE is converted into bit count and appended at the end of the message after the padding as described in the FIPS180-2 specification.

To disable automatic padding, MSGSIZE and BYTCNT fields must be written to 0.

### 43.5.9 SHA Input Data Register x

**Name:** SHA\_IDATARx  
**Offset:** 0x40 + x\*0x04 [x=0..15]  
**Reset:** -  
**Property:** Write-only

Bit	31	30	29	28	27	26	25	24
	IDATA[31:24]							
Access	W	W	W	W	W	W	W	W
Reset	-	-	-	-	-	-	-	-
Bit	23	22	21	20	19	18	17	16
	IDATA[23:16]							
Access	W	W	W	W	W	W	W	W
Reset	-	-	-	-	-	-	-	-
Bit	15	14	13	12	11	10	9	8
	IDATA[15:8]							
Access	W	W	W	W	W	W	W	W
Reset	-	-	-	-	-	-	-	-
Bit	7	6	5	4	3	2	1	0
	IDATA[7:0]							
Access	W	W	W	W	W	W	W	W
Reset	-	-	-	-	-	-	-	-

#### Bits 31:0 – IDATA[31:0] Input Data

32-bit Input Data registers load the data block used for hash processing.

These registers are write-only to prevent reading of input data by another application.

SHA\_IDATAR0 corresponds to the first word of the block, SHA\_IDATAR15 to the last word of the last block in case SHA algorithm is set to SHA1, SHA224, SHA256, or SHA\_IDATAR15 to the last word of the block if SHA algorithm is SHA384 or SHA512 (see [SHA Input/Output Data Register x](#)).

### 43.5.10 SHA Input/Output Data Register x

**Name:** SHA\_IODATARx  
**Offset:** 0x80 + x\*0x04 [x=0..15]  
**Reset:** 0x00000000  
**Property:** Read/Write

Bit	31	30	29	28	27	26	25	24
	IODATA[31:24]							
Access	R/W	R/W	R/W	R/W	R/W	R/W	R/W	R/W
Reset	0	0	0	0	0	0	0	0
Bit	23	22	21	20	19	18	17	16
	IODATA[23:16]							
Access	R/W	R/W	R/W	R/W	R/W	R/W	R/W	R/W
Reset	0	0	0	0	0	0	0	0
Bit	15	14	13	12	11	10	9	8
	IODATA[15:8]							
Access	R/W	R/W	R/W	R/W	R/W	R/W	R/W	R/W
Reset	0	0	0	0	0	0	0	0
Bit	7	6	5	4	3	2	1	0
	IODATA[7:0]							
Access	R/W	R/W	R/W	R/W	R/W	R/W	R/W	R/W
Reset	0	0	0	0	0	0	0	0

#### Bits 31:0 – IODATA[31:0] Input/Output Data

These registers can be used to read the resulting message digest and to write the second part of the message block when the SHA algorithm is SHA-384 or SHA-512.

SHA\_IODATAR0 to SHA\_IODATAR15 can be written or read but reading these offsets does not return the content of corresponding parts (words) of the message block. Only results from SHA calculation can be read through these registers.

When SHA processing is in progress, these registers return 0x0000.

SHA\_IODATAR0 corresponds to the first word of the message digest; SHA\_IODATAR4 to the last one in SHA1 mode, SHA\_ODATAR6 in SHA224, SHA\_IODATAR7 in SHA256, SHA\_IODATAR11 in SHA384 or SHA\_IODATAR15 in SHA512.

When SHA224 is selected, the content of SHA\_ODATAR7 must be ignored.

When SHA384 is selected, the content of SHA\_IODATAR12 to SHA\_IODATAR15 must be ignored.



### 43.5.11 SHA Write Protection Mode Register

**Name:** SHA\_WPMR  
**Offset:** 0xE4  
**Reset:** 0x00000000  
**Property:** Read/Write

Bit	31	30	29	28	27	26	25	24
	WPKEY[23:16]							
Access	W	W	W	W	W	W	W	W
Reset	0	0	0	0	0	0	0	0
Bit	23	22	21	20	19	18	17	16
	WPKEY[15:8]							
Access	W	W	W	W	W	W	W	W
Reset	0	0	0	0	0	0	0	0
Bit	15	14	13	12	11	10	9	8
	WPKEY[7:0]							
Access	W	W	W	W	W	W	W	W
Reset	0	0	0	0	0	0	0	0
Bit	7	6	5	4	3	2	1	0
						WPCREN	WPITEN	WPEN
Access						R/W	R/W	R/W
Reset						0	0	0

#### Bits 31:8 – WPKEY[23:0] Write Protection Key

Value	Name	Description
0x534841	PASSWD	Writing any other value in this field aborts the write operation of the WPEN,WPITEN,WPCREN bits. Always reads as 0.

#### Bit 2 – WPCREN Write Protection Control Enable

Value	Description
0	Disables the write protection on control register if WPKEY corresponds to 0x534841 (“SHA” in ASCII).
1	Enables the write protection on control register if WPKEY corresponds to 0x534841 (“SHA” in ASCII).

#### Bit 1 – WPITEN Write Protection Interruption Enable

Value	Description
0	Disables the write protection on interrupt registers if WPKEY corresponds to 0x534841 (“SHA” in ASCII).
1	Enables the write protection on interrupt registers if WPKEY corresponds to 0x534841 (“SHA” in ASCII).

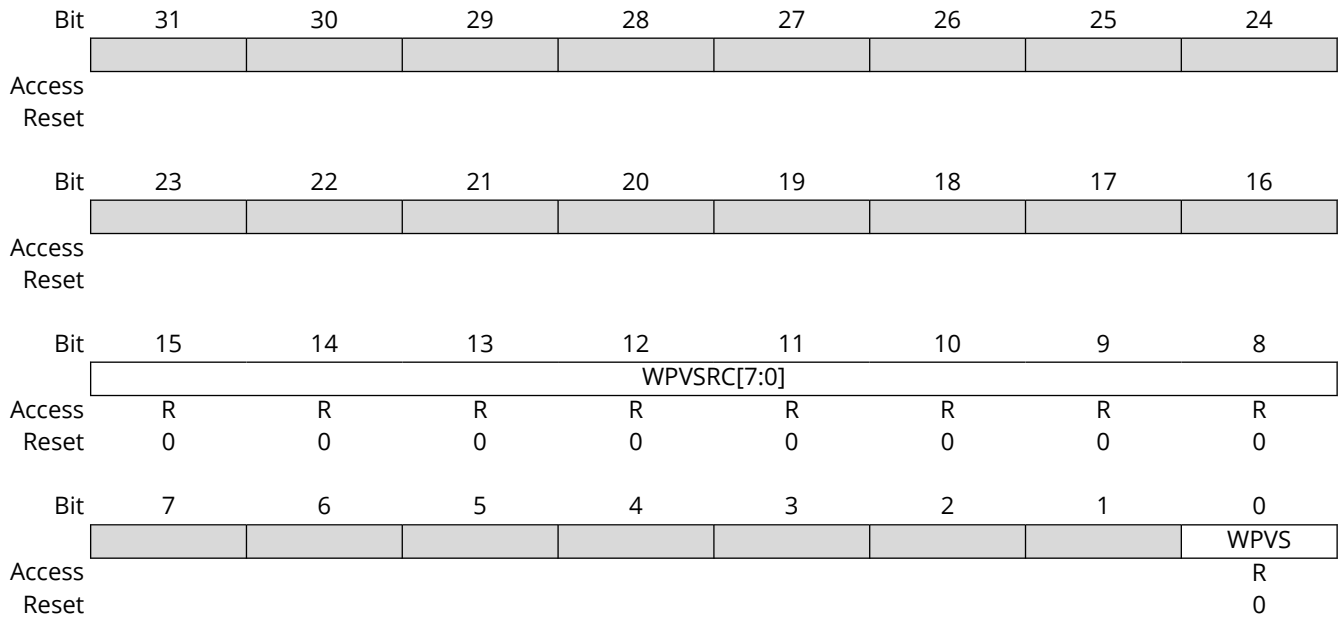
#### Bit 0 – WPEN Write Protection Configuration Enable

See [Register Write Protection](#) for the list of registers that can be write-protected.

Value	Description
0	Disables the write protection on configuration registers if WPKEY corresponds to 0x534841 (“SHA” in ASCII).
1	Enables the write protection on configuration registers if WPKEY corresponds to 0x534841 (“SHA” in ASCII).

### 43.5.12 SHA Write Protection Status Register

**Name:** SHA\_WPSR  
**Offset:** 0xE8  
**Reset:** 0x00000000  
**Property:** Read-only



**Bits 15:8 – WPVSR[7:0] Write Protection Violation Source**

When WPVS=1, WPVSR indicates the register address offset at which a write access has been attempted.

**Bit 0 – WPVS Write Protection Violation Status (cleared on read)**

Value	Description
0	No write protect violation has occurred since the last read of SHA_WPSR.
1	A write protect violation has occurred since the last read of SHA_WPSR. The address offset of the violated register is reported into field WPVSR.

## 44. Non-Maskable Interrupt Controller (NMIC)

### 44.1 Description

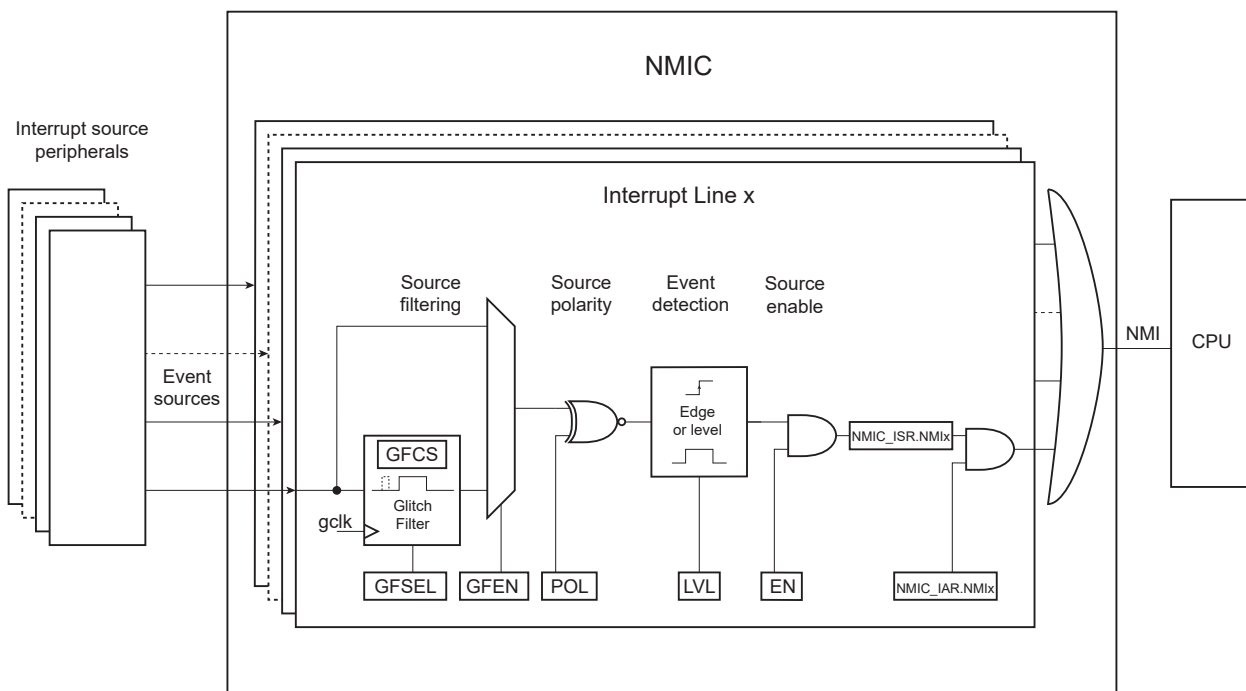
The Non-Maskable Interrupt Controller (NMIC) forwards critical interrupts from the Supply Controller (SUPC) and Power Management Controller (PMC) internal interrupt sources, or from the PIO Controller external interrupt sources to the NMI input of the processor in a programmable way.

### 44.2 Embedded Characteristics

- Glitch Filter
- Programmable Source Polarity
- Edge or Level Detection
- Freeze Capability for Each Interrupt Line Configuration
- Global Configuration Write Protection Register with Key

### 44.3 Block Diagram

Figure 44-1. Block Diagram



### 44.4 I/O Line Description

Table 44-1. I/O Line Description

Pin Name	Pin Description	Type
NMIC_NMI	Non-maskable Interrupt	Input with internal pull-down (See <a href="#">Electrical Characteristics</a> )

### 44.5 Product Dependencies

#### 44.5.1 Power Management

Prior to using the glitch filter, the NMIC peripheral clock (MCK), must be enabled in the Power Management controller.

## 44.5.2 Interrupt Sources

The following table describes the interrupt sources available in the product.

**Table 44-2.** Interrupt Sources

Source No.	Source Name	Source Description
NMI0	NMIC_NMI	External Pin NMI
NMI1	CPU_FAIL	Wrong CPU Frequency Monitor Detection
NMI2	EXT_MAINCK_FAIL	External Main Clock Failure Detection
NMI3	XTAL_32K_FAIL	Slow XTAL 32 KHz Clock Failure Detection
NMI4	VDDCORE_FAIL	VDDCORE Failure Detection
NMI5	NOFIX_TCM	TCM non-fixable error Detection
NMI6	NOFIX_HEMC	HEMC non-fixable error detection
NMI7	NOFIX_HEFC	HEFC non-fixable error detection
NMI8	NOFIX_FlexRAM	FlexRAM non-fixable error detection
NMI9	—	—
NMI10	—	—
NMI11	—	—
NMI12	—	—
NMI13	—	—
NMI14	—	—
NMI15	—	—

## 44.6 Functional Description

### 44.6.1 Interrupt Line Characteristics

For each event source, the NMIC features a dedicated interrupt line as shown in the block diagram above.

If the Glitch Filter Enable (GFEN) bit is cleared in the Source Configuration Register (NMIC\_SCFGxR), pulses of any width can be forwarded and detected as valid source events on the interrupt line x regardless of the respective frequencies of the source clock, the generic clock, the NMIC peripheral clock and the CPU clock.

If the NMIC\_SCFGxR.GFEN bit is set, the source events are filtered to remove unwanted glitches. The glitch filter is guaranteed to forward its input level when it is maintained for more than  $2^{GFSEL}$  gclk cycles and to reject pulses narrower than  $2^{GFSEL-1}$  gclk cycles.

The source event polarity can be changed by the NMIC\_SCFGxR.POL bit.

Either edge or level event detection can be performed by the NMIC\_SCFGxR.LVL bit.

If the NMIC\_SCFGxR.EN bit is set, the detection result is flagged into the interrupt pending bit of the Interrupt Status Register (NMIC\_ISR).

If the Active Interrupt x (NMIx) bit for the interrupt line is set in the Interrupt Active Register (NMIC\_IAR), the pending status is forwarded to the CPU non-maskable interrupt input.

When set, the NMIC\_SCFGxR.FRZ bit freezes all interrupt line settings until hardware reset. This includes the settings in the NMIC\_SCFGxR and in the interrupt active x bit of the NMIC\_IAR. This feature can be used to prevent any corruption of the critical interrupt lines configuration.

The propagation delay of the NMIC affects the activation of the interrupt.

When the NMIC is configured in level-triggered mode, the propagation delay of the NMIC also affects the de-activation of the interrupt.

If the Glitch Filter is enabled in the NMIC\_SCFGxR.GFEN bit, the maximum propagation delay through the NMIC (shown in the figure below) is calculated as:

$$\text{nmic\_delay\_max} = (2 + 2^{\text{GFSEL}}) * \text{gclk\_period} + 2.5 * \text{clock\_period}$$

and the minimum propagation delay through the NMIC is:

$$\text{nmic\_delay\_min} = (1 + 2^{\text{GFSEL}}) * \text{gclk\_period} + 1 * \text{clock\_period}$$

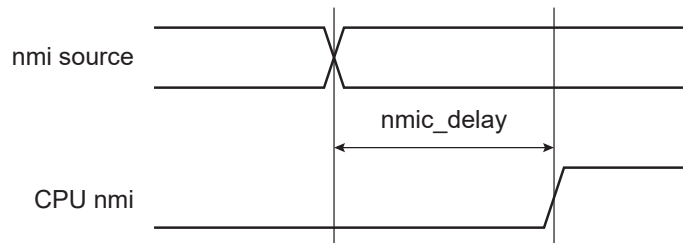
If the Glitch Filter is disabled, the maximum propagation delay through the NMIC is calculated as:

$$\text{nmic\_delay\_max} = 2.5 * \text{clock\_period}$$

and the minimum propagation delay through the NMIC is:

$$\text{nmic\_delay\_min} = 1 * \text{clock\_period}$$

**Figure 44-2.** NMIC Propagation Delay



The `gclk_period` is the NMIC generic clock period as programmed in the Power Management Controller.

The `clock_period` is the peripheral clock period of the NMIC as programmed in the Power Management Controller.

#### 44.6.2 Interrupt Line Programming

The steps to set up or change the interrupt line x configuration are the following:

1. If the source might glitch due to setup changes required at the source peripheral, clear the SCFGxR.EN bit to disable the NMIC interrupt source.
2. Perform any external setup that might be required at the source peripheral and wait until the peripheral source output is stabilized.
3. If the interrupt line is featured with a glitch filter, wait until the Ready flag RDYx is set in the Glitch Filter Configuration Status Register (NMIC\_GFCS).
4. Write the required interrupt line configuration fields among GFSEL, GFEN, POL, LVL into the NMIC\_SCFGxR.
5. Set the NMI bit in the Interrupt Enable Register (NMIC\_IER) to activate the interrupt line if required and if it was disabled.
6. If the interrupt line is featured with a glitch filter, wait until the RDYx flag is set in the NMIC\_GFCS register.
7. Set the NMIC\_SCFGxR.EN bit if the source is not yet enabled and, if required for safety, freeze the interrupt line x configuration by setting the NMIC\_SCFGxR.FRZ bit.

Note that if the source peripheral is glitch free or stable enough compared to the current glitch filter settings, the interrupt source does not need to be disabled with the NMIC\_SCFGxR.EN bit prior to its reprogramming.

As an example, if the user desires to stop or minimize the circuit activity after a voltage or frequency failure detection on a rising edge of an NMIC interrupt source, the polarity can be changed with a single write to the NMIC\_SCFGxR.POL bit to detect a falling edge of the same source. Detection of

the falling edge source indicates the recovery of a normal condition. In this case, the sequence steps described previously can be ignored.

### 44.6.3 Interrupt Handling

When the interrupt source  $x$  is triggered, the corresponding interrupt pending flag  $NMIx$  is set by hardware in the `NMIC_ISR`.

If the interrupt source ( $NMIx$ ) is enabled in the `NMIC_IAR`, the CPU non-maskable interrupt input is set and the interrupt handler routine is entered.

The interrupt handler software reads the `NMIC_ISR` to identify the source of the NMI. This read normally has the effect of clearing the `NMIC_ISR` so that the software can immediately proceed to the critical task and also immediately detect a new incoming source assertion.

However, if the interrupt was configured as level-triggered in the `NMIC_SCFGxR` and the source is still keeping the active level at the time of reading the `NMIC_ISR`, the  $NMIx$  bit stays active so that the interrupt can be immediately re-entered upon return from the interrupt handler. To avoid a re-entry to the interrupt handler, the `NMIC_ISR` can be polled until the  $NMIx$  is read at 0 prior ending the interrupt handler.

Alternatively, the interrupt might have been configured as edge-triggered in the `NMIC_SCFGxR`. In this case, the `NMIC_ISR` is cleared when read by the software handler routine. The `NMIC_ISR.NMIx` bit remains at value 0 until the interrupt source is reasserted from the inactive level.

### 44.6.4 Register Write Protection

To prevent any single software error from corrupting NMIC behavior, certain registers in the address space can be write-protected.

The following registers can be write-protected by setting the `WPCFEN` bit in the [NMIC Write Protection Mode Register](#) (`NMIC_WPMR`):

- NMIC Source Configuration Register  $x$  (`NMIC_SCFGxR`)

The following registers can be write-protected by setting the `WPITEN` bit in the [NMIC Write Protection Mode Register](#) (`NMIC_WPMR`):

- NMIC Interrupt Enable Register (`NMIC_IER`)
- NMIC Interrupt Disable Register (`NMIC_IDR`)

If a write access to a write-protected register is detected, the `WPVS` flag in the [NMIC Write Protection Status Register](#) (`NMIC_WPSR`) is set and the field `WVSRC` indicates the register in which the write access has been attempted.

The `WPVS` bit is automatically cleared after reading the `NMIC_WPSR`.

If a write attempts to modify the settings of an interrupt line  $x$  that has been previously frozen by setting the `NMIC_SCFGxR.FRZ` bit, the `FZWVS` flag in the `NMIC_WPSR` is set and the field `WVSRC` indicates the register in which the write access has been attempted.

The `FZWVS` bit is automatically cleared after reading the `NMIC_WPSR`.

If a write attempts to modify the settings of the glitch filter of interrupt line  $x$  but the NMIC Source Configuration Register  $x$  (`NMIC_SCFGxR`) access is discarded due to an already ongoing glitch filter configuration, the `FZWVS` flag in the `NMIC_WPSR` is set and the field `WVSRC` indicates the register in which the write access has been attempted.

The `FZWVS` bit is automatically cleared after reading the `NMIC_WPSR`.

## 44.7 Register Summary

Offset	Name	Bit Pos.	7	6	5	4	3	2	1	0	
0x00	NMIC_IER	7:0	NMI7	NMI6	NMI5	NMI4	NMI3	NMI2	NMI1	NMI0	
		15:8									NMI8
		23:16									
		31:24									
0x04	NMIC_IDR	7:0	NMI7	NMI6	NMI5	NMI4	NMI3	NMI2	NMI1	NMI0	
		15:8									NMI8
		23:16									
		31:24									
0x08	NMIC_IAR	7:0	NMI7	NMI6	NMI5	NMI4	NMI3	NMI2	NMI1	NMI0	
		15:8									NMI8
		23:16									
		31:24									
0x0C	NMIC_ISR	7:0	NMI7	NMI6	NMI5	NMI4	NMI3	NMI2	NMI1	NMI0	
		15:8									NMI8
		23:16									
		31:24									
0x10	NMIC_GFCS	7:0	RDY7	RDY6	RDY5	RDY4	RDY3	RDY2	RDY1	RDY0	
		15:8									RDY8
		23:16									
		31:24									
0x14	NMIC_SCFG0R	7:0				GFEN				GFSEL[1:0]	
		15:8							LVL	POL	
		23:16									EN
		31:24	FRZ								
0x18	NMIC_SCFG1R	7:0				GFEN				GFSEL[1:0]	
		15:8							LVL	POL	
		23:16									EN
		31:24	FRZ								
0x1C	NMIC_SCFG2R	7:0				GFEN				GFSEL[1:0]	
		15:8							LVL	POL	
		23:16									EN
		31:24	FRZ								
0x20	NMIC_SCFG3R	7:0				GFEN				GFSEL[1:0]	
		15:8							LVL	POL	
		23:16									EN
		31:24	FRZ								
0x24	NMIC_SCFG4R	7:0				GFEN				GFSEL[1:0]	
		15:8							LVL	POL	
		23:16									EN
		31:24	FRZ								
0x28	NMIC_SCFG5R	7:0				GFEN				GFSEL[1:0]	
		15:8							LVL	POL	
		23:16									EN
		31:24	FRZ								
0x2C	NMIC_SCFG6R	7:0				GFEN				GFSEL[1:0]	
		15:8							LVL	POL	
		23:16									EN
		31:24	FRZ								
0x30	NMIC_SCFG7R	7:0				GFEN				GFSEL[1:0]	
		15:8							LVL	POL	
		23:16									EN
		31:24	FRZ								
0x34	NMIC_SCFG8R	7:0				GFEN				GFSEL[1:0]	
		15:8							LVL	POL	
		23:16									EN
		31:24	FRZ								
0x38 ... 0xE3	Reserved										

.....continued

Offset	Name	Bit Pos.	7	6	5	4	3	2	1	0
0xE4	NMIC_WPMR	7:0							WPITEN	WPCFEN
		15:8	WPKEY[7:0]							
		23:16	WPKEY[15:8]							
		31:24	WPKEY[23:16]							
0xE8	NMIC_WPSR	7:0						BSWVS	FZWVS	WPVS
		15:8	WVSRC[7:0]							
		23:16								
		31:24								



### 44.7.1 NMIC Interrupt Enable Register

**Name:** NMIC\_IER  
**Offset:** 0x00  
**Reset:** -  
**Property:** Write-only

This register can only be written if the WPITEN bit is cleared in the [NMIC Write Protection Mode Register](#).

Bit	31	30	29	28	27	26	25	24
Access								
Reset								
Bit	23	22	21	20	19	18	17	16
Access								
Reset								
Bit	15	14	13	12	11	10	9	8
Access								NMI8
Reset								W
Bit	7	6	5	4	3	2	1	0
Access	NMI7	NMI6	NMI5	NMI4	NMI3	NMI2	NMI1	NMI0
Reset	W	W	W	W	W	W	W	W
Reset	-	-	-	-	-	-	-	-

#### Bits 0, 1, 2, 3, 4, 5, 6, 7, 8 – NMIx Non-maskable Interrupt x Enable

Value	Description
0	No effect
1	Enables the non-maskable interrupt x

## 44.7.2 NMIC Interrupt Disable Register

**Name:** NMIC\_IDR  
**Offset:** 0x04  
**Reset:** -  
**Property:** Write-only

This register can only be written if the WPITEN bit is cleared in the [NMIC Write Protection Mode Register](#).

Bit	31	30	29	28	27	26	25	24
Access								
Reset								
Bit	23	22	21	20	19	18	17	16
Access								
Reset								
Bit	15	14	13	12	11	10	9	8
Access								NMI8
Reset								W
Bit	7	6	5	4	3	2	1	0
Access	NMI7	NMI6	NMI5	NMI4	NMI3	NMI2	NMI1	NMI0
Reset	W	W	W	W	W	W	W	W
Reset	-	-	-	-	-	-	-	-

### Bits 0, 1, 2, 3, 4, 5, 6, 7, 8 – NMIx Non-maskable Interrupt x Disable

Value	Description
0	No effect
1	Disables the non-maskable interrupt x

### 44.7.3 NMIC Interrupt Active Register

**Name:** NMIC\_IAR  
**Offset:** 0x08  
**Reset:** 0x00000000  
**Property:** Read-only

Bit	31	30	29	28	27	26	25	24
Access								
Reset								
Bit	23	22	21	20	19	18	17	16
Access								
Reset								
Bit	15	14	13	12	11	10	9	8
Access								NMI8
Reset								R 0
Bit	7	6	5	4	3	2	1	0
Access	NMI7	NMI6	NMI5	NMI4	NMI3	NMI2	NMI1	NMI0
Reset	R 0	R 0	R 0	R 0	R 0	R 0	R 0	R 0

#### Bits 0, 1, 2, 3, 4, 5, 6, 7, 8 - NMIx Active Interrupt x

Value	Description
0	The interrupt source x is not enabled.
1	The interrupt source x is enabled.

#### 44.7.4 NMIC Interrupt Status Register

**Name:** NMIC\_ISR  
**Offset:** 0x0C  
**Reset:** 0x00000000  
**Property:** Read-only

**Note:** The reset value is product-dependent.

Bit	31	30	29	28	27	26	25	24

Access  
Reset

Bit	23	22	21	20	19	18	17	16

Access  
Reset

Bit	15	14	13	12	11	10	9	8
								NMI8

Access  
Reset

Bit	7	6	5	4	3	2	1	0
	NMI7	NMI6	NMI5	NMI4	NMI3	NMI2	NMI1	NMI0

Access  
Reset

Access	R	R	R	R	R	R	R	R
Reset	0	0	0	0	0	0	0	0

#### Bits 0, 1, 2, 3, 4, 5, 6, 7, 8 – NMIx Non-maskable Interrupt Source x Pending (cleared on read)

Value	Description
0	No interrupt has been detected for source x since the last read of the NMIC_ISR.
1	An interrupt has been detected for source x since the last read of the NMIC_ISR.

### 44.7.5 NMIC Glitch Filter Configuration Status Register

**Name:** NMIC\_GFCS  
**Offset:** 0x10  
**Reset:** 0x000000FF  
**Property:** Read-only

**Note:** The reset value is product-dependent.

Bit	31	30	29	28	27	26	25	24
Access								
Reset								
Bit	23	22	21	20	19	18	17	16
Access								
Reset								
Bit	15	14	13	12	11	10	9	8
Access								RDY8
Reset								0
Bit	7	6	5	4	3	2	1	0
Access	RDY7	RDY6	RDY5	RDY4	RDY3	RDY2	RDY1	RDY0
Reset	1	1	1	1	1	1	1	1

#### Bits 0, 1, 2, 3, 4, 5, 6, 7, 8 – RDYx Filter x Configuration Ready

Value	Description
0	The interrupt line x Glitch Filter is not yet ready for use due to a previous write to the NMIC_SCFGxR, or the glitch filter is not implemented for this interrupt line. The Glitch Filter must not be reprogrammed in the NMIC_SCFGxR.
1	The interrupt line x Glitch Filter configuration is done and the Glitch Filter is active. The Glitch Filter can be programmed in the NMIC_SCFGxR.

#### 44.7.6 NMIC Source Configuration Register 0

**Name:** NMIC\_SCFG0R  
**Offset:** 0x14  
**Reset:** 0x00000313  
**Property:** Read/Write

**Note:** The reset value is product-dependent.

This register can only be written if the WPCFEN bit is cleared in the [NMIC Write Protection Mode Register](#).

Bit	31	30	29	28	27	26	25	24
	FRZ							
Access	R/W							
Reset	0							
Bit	23	22	21	20	19	18	17	16
								EN
Access								R/W
Reset								0
Bit	15	14	13	12	11	10	9	8
							LVL	POL
Access							R/W	R/W
Reset							1	1
Bit	7	6	5	4	3	2	1	0
				GFEN			GFSEL[1:0]	
Access				R/W			R/W	R/W
Reset				1			1	1

##### Bit 31 – FRZ Interrupt Line Freeze

Value	Description
0	No effect.
1	The NMIC_SCFGxR value and the NMIC_IAR.NMIx bits are frozen until hardware reset.

##### Bit 16 – EN Source Enable

Value	Description
0	The NMI source x is disabled. Any source edge or level detection is discarded.
1	The NMI source x is enabled. Any valid source edge or level of polarity (POL) sets the NMIC_ISR.NMIx pending status flag.

##### Bit 9 – LVL Level Detection

Value	Description
0	The NMI source x interrupt status is set on a valid source edge.
1	The NMI source x interrupt status is set on a valid source level.

##### Bit 8 – POL Polarity

Value	Description
0	The NMI source x is active low if LVL is set, or active on falling edge if LVL is cleared.
1	The NMI source x is active high if LVL is set, or active on rising edge if LVL is cleared.

##### Bit 4 – GFEN Glitch Filter Enable

Value	Description
0	The Glitch Filter is disabled or not implemented for NMI source x. Any source x change is forwarded as is to the source detection logic.
1	The Glitch Filter is enabled for NMI source x. The NMI source x glitches are filtered according to the section <a href="#">Interrupt Line Characteristics</a> .

**Bits 1:0 – GFSEL[1:0]** Glitch Filter Selector

If GFEN is set, NMI source x glitches are filtered according to the section [Interrupt Line Characteristics](#).

#### 44.7.7 NMIC Source Configuration Register x

**Name:** NMIC\_SCFGxR  
**Offset:** 0x18 + (x-1)\*0x04 [x=1..8]  
**Reset:** 0x00000313  
**Property:** Read/Write

**Note:** The reset value is product-dependent.

This register can only be written if the WPCFEN bit is cleared in the [NMIC Write Protection Mode Register](#).

Bit	31	30	29	28	27	26	25	24
	FRZ							
Access	R/W							
Reset	0							
Bit	23	22	21	20	19	18	17	16
								EN
Access								R/W
Reset								0
Bit	15	14	13	12	11	10	9	8
							LVL	POL
Access							R/W	R/W
Reset							1	1
Bit	7	6	5	4	3	2	1	0
				GFEN			GFSEL[1:0]	
Access				R/W			R/W	R/W
Reset				1			1	1

##### Bit 31 – FRZ Interrupt Line Freeze

Value	Description
0	No effect.
1	The NMIC_SCFGxR value and the NMIC_IAR.NMIx bits are frozen until hardware reset.

##### Bit 16 – EN Source Enable

Value	Description
0	The NMI source x is disabled. Any source edge or level detection is discarded.
1	The NMI source x is enabled. Any valid source edge or level of polarity (POL) sets the NMIC_ISR.NMIx pending status flag.

##### Bit 9 – LVL Level Detection

Value	Description
0	The NMI source x interrupt status is set on a valid source edge.
1	The NMI source x interrupt status is set on a valid source level.

##### Bit 8 – POL Polarity

Value	Description
0	The NMI source x is active low if LVL is set, or active on falling edge if LVL is cleared.
1	The NMI source x is active high if LVL is set, or active on rising edge if LVL is cleared.

##### Bit 4 – GFEN Glitch Filter Enable



Value	Description
0	The Glitch Filter is disabled or not implemented for NMI source x. Any source x change is forwarded as is to the source detection logic.
1	The Glitch Filter is enabled for NMI source x. The NMI source x glitches are filtered according to the section <a href="#">Interrupt Line Characteristics</a> .

**Bits 1:0 – GFSEL[1:0]** Glitch Filter Selector

If GFEN is set, NMI source x glitches are filtered according to the section [Interrupt Line Characteristics](#).

### 44.7.8 NMIC Write Protection Mode Register

**Name:** NMIC\_WPMR  
**Offset:** 0xE4  
**Reset:** 0x00000000  
**Property:** Read/Write

Bit	31	30	29	28	27	26	25	24
	WPKEY[23:16]							
Access	W	W	W	W	W	W	W	W
Reset	0	0	0	0	0	0	0	0
Bit	23	22	21	20	19	18	17	16
	WPKEY[15:8]							
Access	W	W	W	W	W	W	W	W
Reset	0	0	0	0	0	0	0	0
Bit	15	14	13	12	11	10	9	8
	WPKEY[7:0]							
Access	W	W	W	W	W	W	W	W
Reset	0	0	0	0	0	0	0	0
Bit	7	6	5	4	3	2	1	0
							WPITEN	WPCFEN
Access							R/W	R/W
Reset							0	0

#### Bits 31:8 – WPKEY[23:0] Write Protection Key

Value	Name	Description
0x4E4D49	PASSWD	Writing any other value in this field aborts the write operation of the WPCFEN and WPITEN bit. Always reads as 0.

#### Bit 1 – WPITEN Write Protection Interrupt Enable

See [Register Write Protection](#) for the list of registers that can be protected.

Value	Description
0	Disables the write protection of NMIC_IER and NMIC_IDR if WPKEY corresponds to 0x4E4D49 (“NMI” in ASCII).
1	Enables the write protection of NMIC_IER and NMIC_IDR if WPKEY corresponds to 0x4E4D49 (“NMI” in ASCII).

#### Bit 0 – WPCFEN Write Protection Configuration Enable

Value	Description
0	Disables the write protection of the configuration registers if WPKEY corresponds to 0x4E4D49 (“NMI” in ASCII).
1	Enables the write protection of the configuration registers if WPKEY corresponds to 0x4E4D49 (“NMI” in ASCII).

### 44.7.9 NMIC Write Protection Status Register

**Name:** NMIC\_WPSR  
**Offset:** 0xE8  
**Reset:** 0x00000000  
**Property:** Read-only

Bit	31	30	29	28	27	26	25	24
Access								
Reset								
Bit	23	22	21	20	19	18	17	16
Access								
Reset								
Bit	15	14	13	12	11	10	9	8
Access	WVSR[7:0]							
Reset	WVSR[7:0]							
Bit	7	6	5	4	3	2	1	0
Access						BSWVS	FZWVS	WPVS
Reset						0	0	0

#### Bits 15:8 – WVSR[7:0] Write Violation Source

When one of the WPVS, FZWVS, BSWVS is equal to 1, WVSR indicates the register address offset at which a write access has been attempted.

#### Bit 2 – BSWVS Busy Register Write Violation Status

Value	Description
0	No write access violation of a busy register has occurred since the last read of the NMIC_WPSR.
1	A write access violation of a busy register has occurred since the last read of the NMIC_WPSR. The associated violation is reported into field WVSR.

#### Bit 1 – FZWVS Frozen Register Write Violation Status

Value	Description
0	No write access violation of a frozen register has occurred since the last read of the NMIC_WPSR.
1	A write access violation of a frozen register has occurred since the last read of the NMIC_WPSR. The associated violation is reported into field WVSR.

#### Bit 0 – WPVS Write Protection Register Violation Status

Value	Description
0	No write protection violation has occurred since the last read of the NMIC_WPSR.
1	A write protection violation has occurred since the last read of the NMIC_WPSR. The associated violation is reported into field WVSR.

## 45. Analog-to-Digital Controller (ADC)

### 45.1 Description

The ADC is based on a 12-bit Analog-to-Digital Converter (ADC) managed by an ADC Controller providing enhanced resolution up to 16 bits (See [45.3. Block Diagram](#)). It also integrates a 16-to-1 analog multiplexer, making possible the analog-to-digital conversions of 16 analog lines. The conversions extend from the voltage on pin AD\_DAC\_GNDREF to the voltage carried on pin AD\_DAC\_VREFIN.

Conversion results are reported in a common register for all channels, as well as in a channel-dedicated register.

The 13-bit, 14-bit, 15-bit, and 16-bit resolution modes are obtained by averaging multiple samples to decrease quantization noise. For the 13-bit mode, 4 samples are used, which gives a real sample rate of 1/4 of the actual sample frequency. For the 14-bit mode, 16 samples are used, giving a real sample rate of 1/16 of the actual sample frequency. For the 15-bit and 16-bit modes, respectively 64 and 256 samples are used, giving a real sample rate of respectively 1/64 and 1/256 of the actual sample frequency. This arrangement allows conversion speed to be traded off against for better accuracy.

The software trigger, external trigger on rising edge of the ADTRG pin or internal triggers from Timer Counter output(s) or PWM(s) are configurable.

The comparison circuitry allows automatic detection of values below a threshold, higher than a threshold, in a given range or outside the range, thresholds and ranges being fully configurable.

The ADC Controller's internal fault output is directly connected to the PWM fault input. This input can be asserted through comparison circuitry to immediately put the PWM output in a safe state (pure combinational path).

The ADC also integrates a Sleep mode and a conversion sequencer and connects with a DMA channel. These features reduce both power consumption and processor intervention.

This ADC has a selectable single-ended or fully differential input.

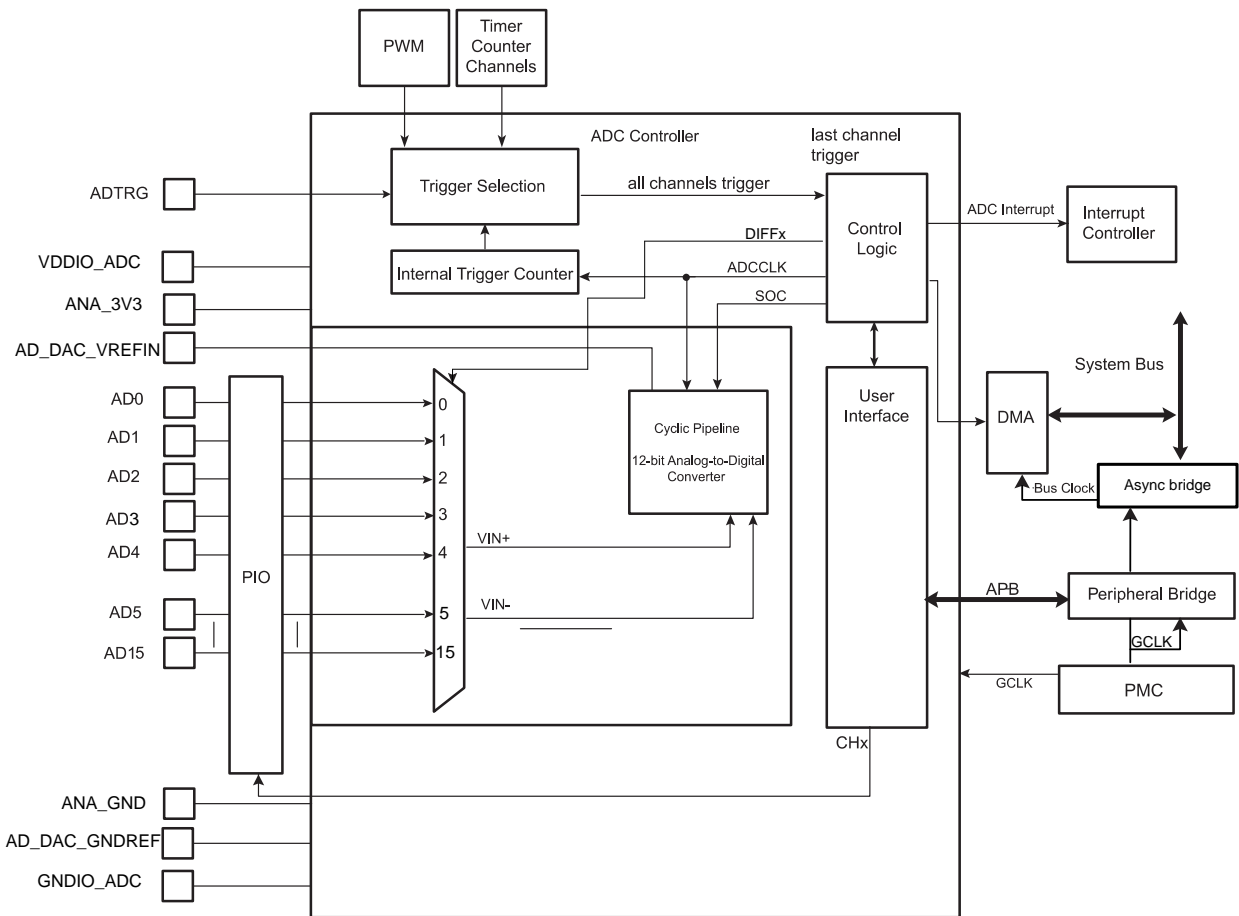
### 45.2 Embedded Characteristics

- 12-bit Resolution with Enhanced Mode up to 16 bits
- 1 MSps Conversion Rate
- Digital Averaging Function providing Enhanced Resolution Mode up to 16 bits
- Wide Range of Power Supply Operation
- Selectable Single-Ended or Differential Input Voltage
- Digital correction of offset and gain errors
- Programmable Pen Detection Sensitivity
- Integrated Multiplexer Offering Up to 16 Independent Analog Inputs
- Individual Enable and Disable of Each Channel
- Hardware or Software Trigger from:
  - External trigger pin
  - Timer counter outputs (corresponding TIOA trigger)
  - ADC internal trigger counter
  - PWM event line
- Drive of PWM Fault Input

- DMA Support
- Two Sleep Modes (Automatic Wakeup on Trigger)
  - Lowest power consumption (voltage reference OFF between conversions)
  - Fast wakeup time response on trigger event (voltage reference ON between conversions)
- Channel Sequence Customizing
- Automatic Window Comparison of Converted Values
- Register Write Protection

## 45.3 Block Diagram

Figure 45-1. Block Diagram



## 45.4 Signal Description

Table 45-1. ADC Pin Description

Pin Name	Description
ANA_3V3	Analog power supply
ANA_GND	Analog ground supply
AD_DAC_VREFIN	Reference voltage
AD_DAC_GNDREF	Reference Ground
AD0-AD15	Analog input channels
ADTRG	External trigger

## 45.5 Product Dependencies

### 45.5.1 Power Management

The ADC Controller is not continuously clocked. The programmer must first enable the ADC Controller GCLK clock in the Power Management Controller (PMC) before using the ADC Controller. However, if the application does not require ADC operations, the ADC Controller clock can be stopped when not needed and restarted when necessary.

### 45.5.2 Interrupt Sources

The ADC interrupt line is connected on one of the internal sources of the Interrupt Controller. Using the ADC interrupt requires the interrupt controller to be programmed first.

### 45.5.3 I/O Lines

The digital inputs ADx and ADTRG are multiplexed with digital functions on the I/O lines.

ADx inputs are selected as inputs of the ADCC when writing a one in the corresponding ADC\_CHER.CHx bit and the associated I/O is automatically turned in Analog mode.

### 45.5.4 Hardware Triggers

The ADC can use internal signals to start conversions. See the ADC\_MR.TRGSEL field description in [45.7.2. ADC\\_MR](#) for exact wiring of internal triggers.

### 45.5.5 Fault Output

The ADC Controller has the FAULT output connected to the FAULT input of PWM. See [45.6.14. Fault Event](#) and section [40. Pulse Width Modulation Controller \(PWM\)](#).

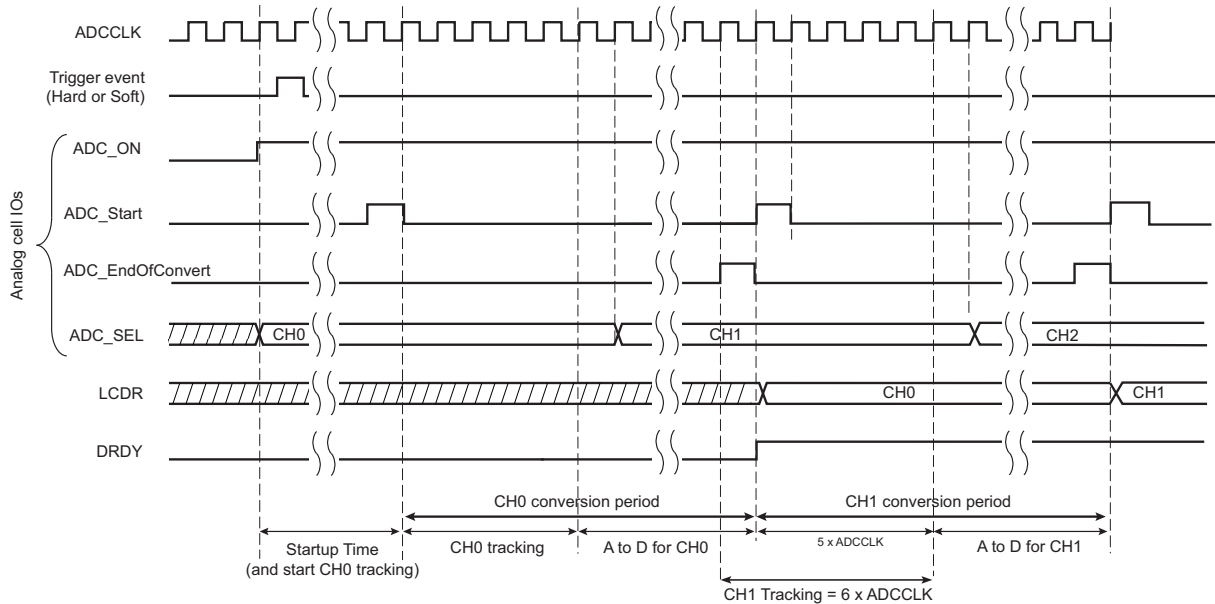
## 45.6 Functional Description

### 45.6.1 Analog-to-Digital Conversion

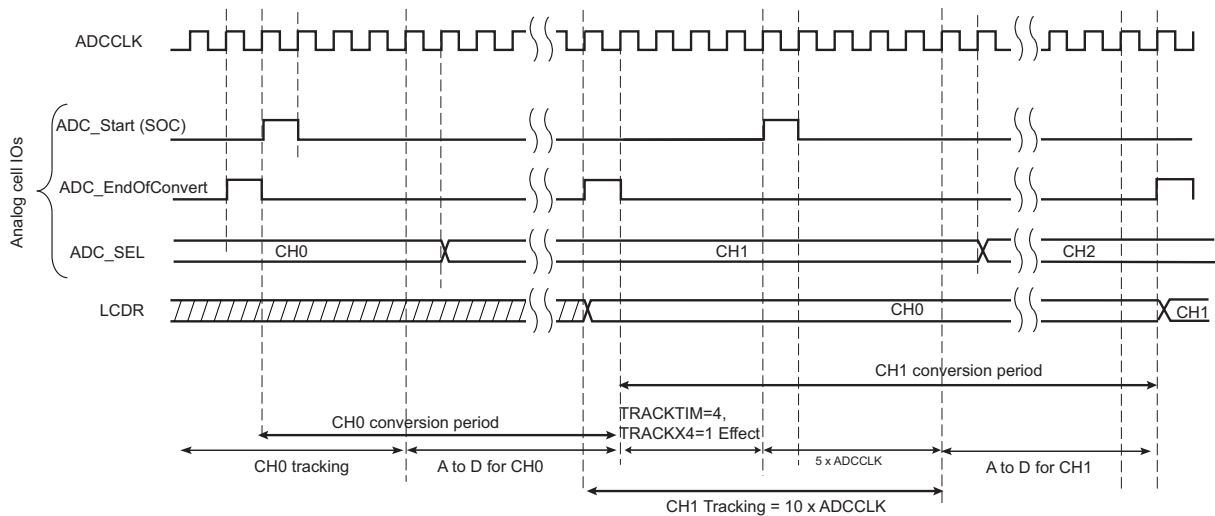
Once the programmed startup time (ADC\_MR.STARTUP) has elapsed, ADC conversions are sequenced by three operating times:

- Tracking time—the time for the ADC to charge its input sampling capacitor to the input voltage. When several channels are converted consecutively, the inherent tracking time is 6 ADC clock cycles. However, the tracking time can be increased using the TRACKTIM field in the Mode register (ADC\_MR) and the TRACKX4 bit in the Extended Mode register (ADC\_EMR).
- ADC inherent conversion time—the time for the ADC to convert the sampled analog voltage. This time is constant and is defined from start of conversion to end of conversion.
- Channel conversion period—the effective time between the end of the current channel conversion and the end of the next channel conversion.

**Figure 45-2.** Sequence of Consecutive ADC Conversions with TRACKTIM = 0



**Figure 45-3.** Sequence of Consecutive ADC Conversions with TRACKTIM = 4 and TRACKx4 = 1



## 45.6.2 ADC Clock

The ADC uses the ADC clock (ADCCLK) to perform conversions. The ADC clock frequency is selected in the ADC\_MR.PRESCAL.

To generate the ADC clock, the prescaler has one clock source: the GCLK clock.

The ADC clock frequency is between GCLK, if PRESCAL is 0, and GCLK/512, if PRESCAL is set to 255 (0xFF).

PRESCAL must be programmed to provide the ADC clock frequency parameter provided in the “Electrical Characteristics” section.

## 45.6.3 ADC Reference Voltage

The voltage reference input of the ADC is the AD\_DAC\_VREFIN pin and the ground reference voltage is AD\_DAC\_GNDREF. Refer to the section “Electrical Characteristics”.

#### 45.6.4 Conversion Resolution

The ADC has a native resolution of 12 bits.

The ADC Controller provides enhanced resolution up to 16 bits by means of digital averaging.

If the triggers inputs are asynchronous to the ADC GCLK clock, the internal resynchronization introduces a jitter of 1 GCLK clock. This jitter may reduce the resolution of the converted signal.

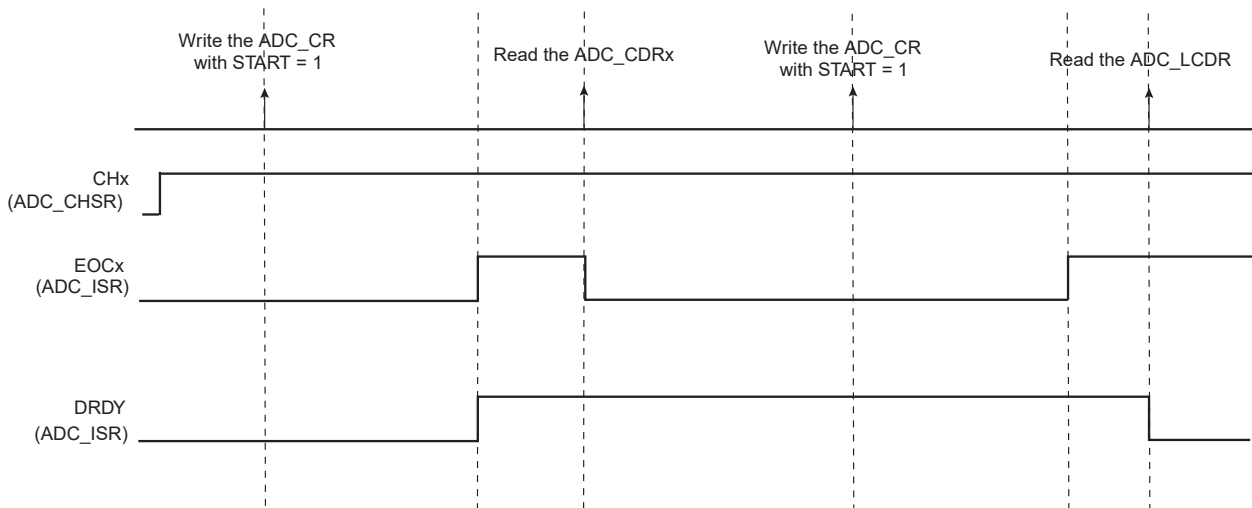
#### 45.6.5 Conversion Results

When a conversion is completed, the resulting digital value is stored in the Channel Data register (ADC\_CDRx) of the current channel and in the Last Converted Data register (ADC\_LCDCR). By setting the TAG option in ADC\_EMCR, ADC\_LCDCR presents the channel number associated with the last converted data in the CHNB field.

When a conversion is completed, the channel EOC bit and the DRDY bit in the Interrupt Status register (ADC\_ISR) are set. For a connected DMA channel, DRDY rising triggers a data request. In any case, either EOC or DRDY can trigger an interrupt.

Reading one of the ADC\_CDRx clears the corresponding EOC bit. Reading ADC\_LCDCR clears the DRDY bit.

**Figure 45-4.** EOCx and DRDY Flag Behavior

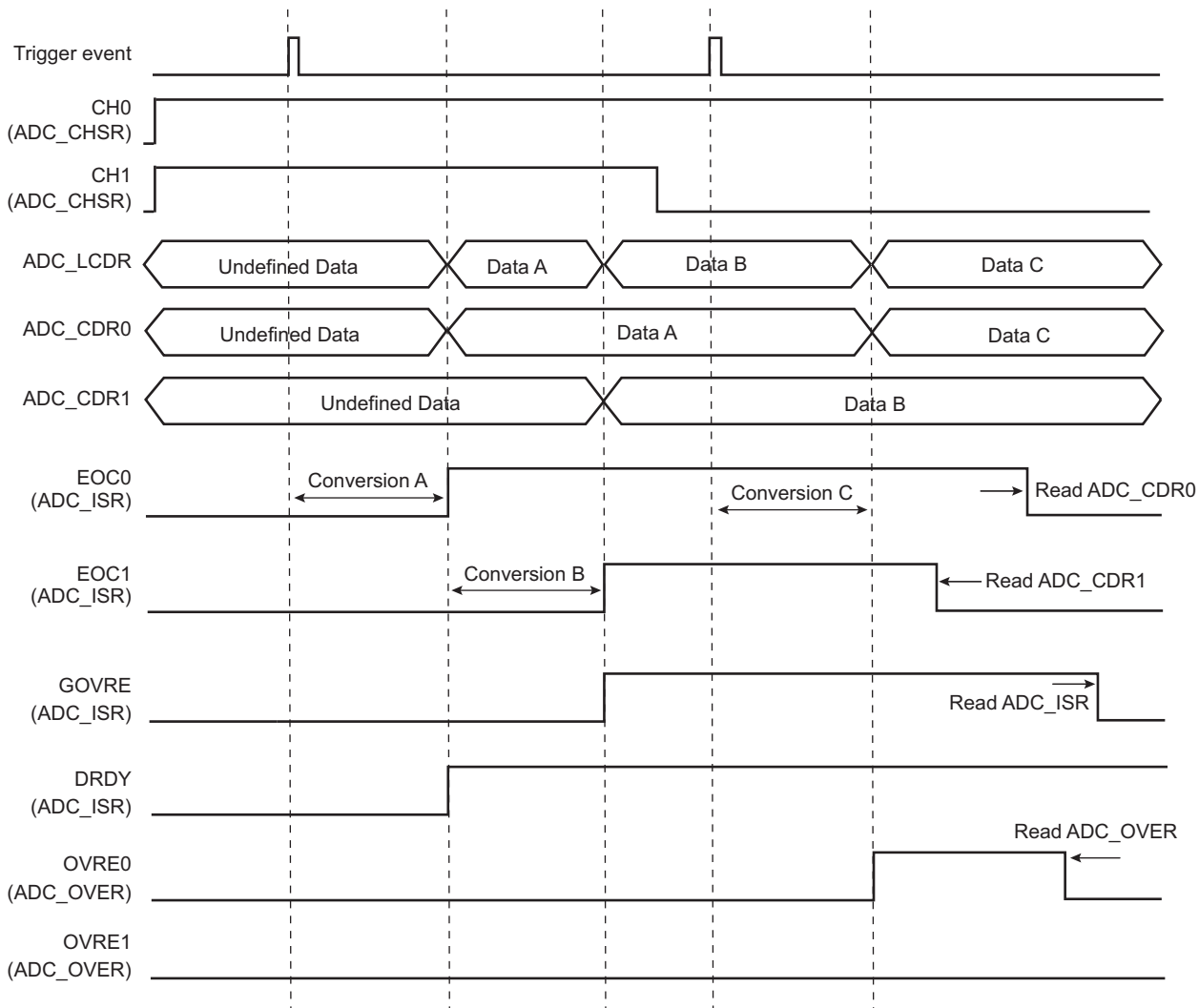


If ADC\_CDR is not read before further incoming data is converted, the corresponding OVREx flag is set in the Overrun Status register (ADC\_OVER).

If new data is converted when DRDY is high, the ADC\_ISR.GOVRE bit is set.

The OVREx flag is automatically cleared when ADC\_OVER is read, and the GOVRE flag is automatically cleared when ADC\_ISR is read.



**Figure 45-5.** EOCx, OVREx and GOVREx Flag Behavior

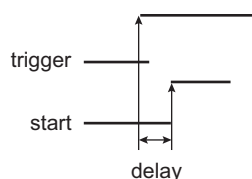
If the corresponding channel is disabled during a conversion or if it is disabled and then reenabled during a conversion, its associated data and corresponding EOCx and GOVRE flags in ADC\_ISR and OVREx flags in ADC\_OVER are unpredictable.

### 45.6.6 Conversion Triggers

Conversions of the active analog channels starts with a software or hardware trigger. The software trigger is provided by writing the Control register (ADC\_CR) with the START bit at 1 and ADC\_MR.TRGEN=0.

The list of external/internal events is provided in 45.7.2. ADC\_MR. The hardware trigger is selected using the ADC\_MR.TRGSEL field. When ADC\_MR.TRGEN is set, the selected hardware trigger is enabled and the software trigger is disabled. (the ADC\_CR.START bit has no effect in this case).

If a hardware trigger is selected, the start of a conversion is triggered after a delay starting at each rising edge of the selected signal. This delay introduces sampling jitter in the A/D conversion process and may therefore degrade the conversion performance (for example, SNR, THD).

**Figure 45-6.** Hardware Trigger Delay

If one of the TIOA outputs is selected, the corresponding Timer Counter channel must be programmed in Waveform mode.

Only one start command is necessary to initiate a conversion sequence on all the enabled channels. The ADC hardware logic automatically performs the conversions on the active channels, then waits for a new request. The Channel Enable (ADC\_CHER) and Channel Disable (ADC\_CHDR) registers enable the analog channels to be enabled or disabled independently.

If the ADC is used with a DMA, only the transfers of converted data from enabled channels are performed and the resulting data buffers must be interpreted accordingly.

### 45.6.7 Sleep Mode and Conversion Sequencer

The ADC Sleep mode maximizes power saving by automatically deactivating the ADC when it is not being used for conversions. Sleep mode is selected by setting the ADC\_MR.SLEEP bit.

Sleep mode is managed by a conversion sequencer, which automatically processes the conversions of all channels at lowest power consumption.

This mode can be used when the minimum period of time between two successive trigger events is greater than the startup period of the ADC. Refer to section “Electrical Characteristics”.

When a start conversion request occurs, the ADC is automatically activated. As the analog cell requires a startup time, the logic waits during this time and starts the conversion on the enabled channels. When all conversions are complete, the ADC is deactivated until the next trigger. Events triggered during the sequence are ignored.

The conversion sequencer allows automatic processing with minimum processor intervention and optimized power consumption. Conversion sequences can be performed periodically using the PWM event line. The periodic acquisition of several samples can be processed automatically without any intervention of the processor through the DMA.

The sequence can be customized by programming the Sequence Channel registers ADC\_SEQR1 and ADC\_SEQR2 and setting the USEQ bit of the Mode register (ADC\_MR). The user can choose a specific order of channels and can program up to 16 conversions by sequence. The user is free to create a personal sequence by writing channel numbers in ADC\_SEQR1 and ADC\_SEQR2. Not only can channel numbers be written in any sequence, channel numbers can be repeated several times. When the ADC\_MR.USEQ bit is set, the ADC\_SEQR1.USCHx and ADC\_SEQR2.USCHx fields are used to define the sequence. Only enabled USCHx fields will be part of the sequence. Each USCHx field has a corresponding enable, CHx-1, in ADC\_CHER.

If all ADC channels (that is, 16) are used on an application board, there is no restriction of usage of the user sequence. However, if some ADC channels are not enabled for conversion but rather used as pure digital inputs, the respective indexes of these channels cannot be used in the user sequence fields (see ADC\_SEQRx). For example, if channel 4 is disabled (ADC\_CHSR[4] = 0), ADC\_SEQRx fields USCH1 up to USCH16 must not contain the value 4. Therefore, the length of the user sequence may be limited by this behavior.

As an example, if only four channels over 16 (CH0 up to CH3) are selected for ADC conversions, the user sequence length cannot exceed four channels. Each trigger event may launch up to four successive conversions of any combination of channels 0 up to 3 but no more (that is, in this case the sequence CH0, CH0, CH1, CH1, CH1, CH1 is impossible).

A sequence that repeats the same channel several times requires more enabled channels than channels actually used for conversion. For example, the sequence CH0, CH0, CH1, CH1 requires four enabled channels (four free channels on application boards) whereas only CH0, CH1 are really converted.

**Note:** The reference voltage pins always remain connected in Normal mode as in Sleep mode.

### 45.6.8 Comparison Window

The ADC Controller features automatic comparison functions. It compares converted values to a low threshold, a high threshold or both, depending on the value of the ADC\_EMR.CMPMODE field. The comparison can be done on all channels or only on the channel specified in the ADC\_EMR.CMPSEL field. To compare all channels, the ADC\_EMR.CMPALL bit must be set.

If set, the ADC\_EMR.CMPTYPE bit can be used to discard all conversion results that do not match the comparison conditions. Once a conversion result matches the comparison conditions, all the subsequent conversion results are stored in ADC\_LCDR (even if these results do not meet the comparison conditions). Setting the ADC\_CR.CMPRST bit immediately stops the conversion result storage until the next comparison match.

If the ADC\_EMR.CMPTYPE bit is cleared, all conversions are stored in ADC\_LCDR. Only the conversions that match the comparison conditions trigger the ADC\_ISR.COMPE flag.

Moreover, a filtering option can be set by writing the number of consecutive comparison matches needed to raise the flag. This number can be written and read in the ADC\_EMR.CMPFILTER field. The filtering option is dedicated to reinforcing the detection of an analog signal overpassing a predefined threshold. The filter is cleared as soon as ADC\_ISR is read, so this filtering function must be used with peripheral DMA controller and works only when using Interrupt mode (no polling).

The flag can be read on the ADC\_ISR.COMPE bit and can trigger an interrupt.

The high threshold and the low threshold can be read/write in the Compare Window register (ADC\_CWR).

### 45.6.9 Differential and Single-ended Input Modes

#### 45.6.9.1 Input-output Transfer Functions

The ADC can be configured to operate in the following input voltage modes:

- Single-ended—ADC\_COR.DIFFx = 0. This is the default mode after a reset.
- Differential—ADC\_COR.DIFFx = 1 (see [Figure 45-7](#). In Differential mode, the ADC requires differential input signals having a VDD/2 common mode voltage (refer to section “Electrical Characteristics”).

The following equations give the unsigned ADC input-output transfer function in each mode<sup>(1)</sup>.

In the formula, REFP = AD\_DAC\_VREFIN, REFN = AD\_DAC\_GNDREF.

Single-ended mode:

$$\text{ADC\_LCDR.LDATA} = \frac{\text{AD}_x - \text{REFN}}{\text{REFP} - \text{REFN}} \times 2^{12}$$

Differential mode:

$$\text{ADC\_LCDR.LDATA} = \left( 1 + \frac{\text{AD}_x - \text{AD}_{x+1}}{\text{REFP} - \text{REFN}} \right) \times 2^{11}$$

Note: 1. Equations assume ADC\_EMR.OSR = 1

If the ADC\_MR.ANACH bit is set, the ADC can manage both differential channels and single-ended channels. If the ADC\_MR.ANACH bit is cleared, the parameters defined in ADC\_COR are applied to all channels.

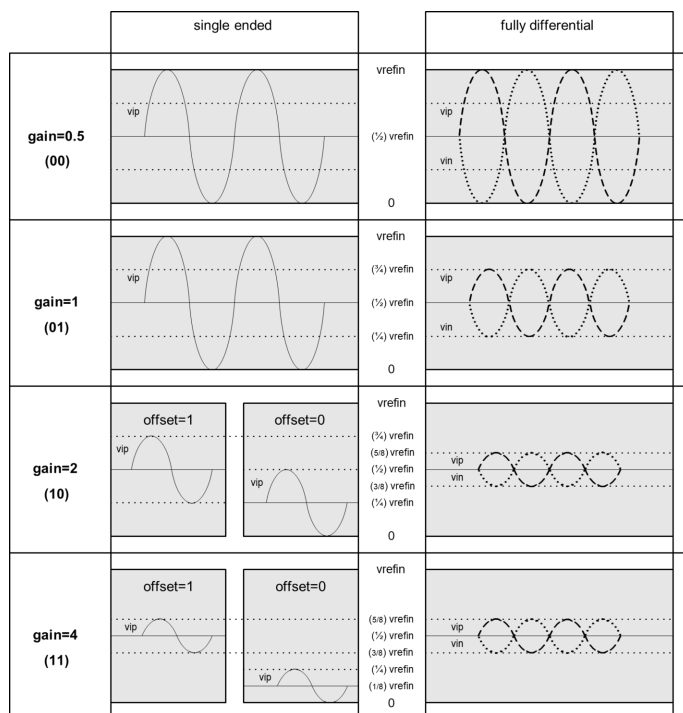
The following table gives the internal positive and negative ADC inputs assignment with respect to the programmed mode (ADC\_COR.DIFFx).

For example, if Differential mode is required on channel 0, input pins AD0 and AD1 are used. In this case, only channel 0 must be enabled by writing a 1 to ADC\_CHER.CH0.

**Table 45-2.** Input Pins and Channel Numbers

Input Pin	Channel Number	
	Single-ended Mode	Differential Mode
AD0	CH0	CH0
AD1	CH1	
AD2	CH2	CH2
AD3	CH3	
AD4	CH4	CH4
AD5	CH5	
AD6	CH6	CH6
AD7	CH7	
AD8	CH8	CH8
AD9	CH9	
AD10	CH10	CH10
AD11	CH11	
AD12	CH12	CH12
AD13	CH13	
AD14	CH14	CH14
AD15	CH15	

**Figure 45-7.** Analog Full Scale Ranges in Single-Ended/Differential Applications



**Note:** VREFIN = AD\_DAC\_VREFIN

#### 45.6.10 ADC Timings

The ADC startup time is programmed through the ADC\_MR.STARTUP field. Refer to the “Electrical Characteristics” section.

The ADC Controller provides an inherent tracking time of six ADC clock cycles.

It is possible to add one more ADC clock to the ADC tracking time by programming ADC\_MR.TRACKTIM.

A minimal tracking time is necessary for the ADC to guarantee the best converted final value between two conversions. The tracking time can be adjusted to accommodate a range of source impedances. If more than six ADC clock cycles are required, the tracking time can be increased using the ADC\_MR.TRACKTIM field and the ADC\_EMR.TRACKX4 bit.

When the gain, offset or differential input parameters of the analog cell change between two channels, the analog cell may need a specific settling time before starting the tracking phase. In that case, the controller automatically waits during the settling time defined in ADC\_MR. Obviously, if the ANACH option is not set, this time is unused.



No input buffer amplifier to isolate the source is included in the ADC. Refer to the section "Electrical Characteristics".

#### 45.6.11 Enhanced Resolution Mode and Digital Averaging Function

##### 45.6.11.1 Enhanced Resolution Mode

The Enhanced Resolution mode is enabled if ADC\_MR.LOWRES is cleared and if the OSR field is configured to 1, 2, 3 or 4 in ADC\_EMR. The enhancement is based on a digital averaging function.

ADC\_MR.FREERUN must be cleared when digital averaging is used (ADC\_EMR.OSR ≠ 0).

In this mode, the ADC Controller will trade off conversion speed against accuracy by averaging multiple samples, thus providing a digital low-pass filter function.

The selected oversampling ratio applies to all enabled channels when triggered by an RTC event.

$$ADC\_LCDR.LDATA = \frac{1}{M} \times \sum_{k=0}^{N-1} ADC(k)$$

where N and M are given in the following table.

**Table 45-3.** Digital Averaging Function Configuration versus OSR Values

ADC_EMR.OSR Value	ADC_LCDR.LDATA Length	N Value	M Value	Full Scale Value	Maximum Value
0	12 bits	1	1	4095	4095
1	13 bits	4	2	8191	8190
2	14 bits	16	4	16383	16381
3	15 bits	64	8	32767	32761
4	16 bits	256	16	65535	65521

The average result is valid in ADC\_CDRx (x corresponds to the index of the channel) only if the ADC\_ISR.EOCx flag is set and if the ADC\_OVER.OVREx flag is cleared. The average result for all channels is valid in ADC\_LCDR only if the ADC\_ISR.DRDY bit is set and the ADC\_ISR.GOVRE bit is cleared.

Note that ADC\_CDRs are not buffered. Therefore, when an averaging sequence is ongoing, the value in these registers changes after each averaging sample. However, overrun flags in ADC\_OVER rise as

soon as the first sample of an averaging sequence is received. Thus the previous averaged value is not read, even if the new averaged value is not ready.

Consequently, when an overrun flag rises in ADC\_OVER, it means that the previous unread data is lost but it does not mean that this data has been overwritten by the new averaged value as the averaging sequence concerning this channel can still be ongoing.

When an oversampling is performed, the maximum value that can be read on ADC\_CDRx or ADC\_LCDR is not the full-scale value, even if the maximum voltage is supplied on the analog input. See table [Table 45-3](#).

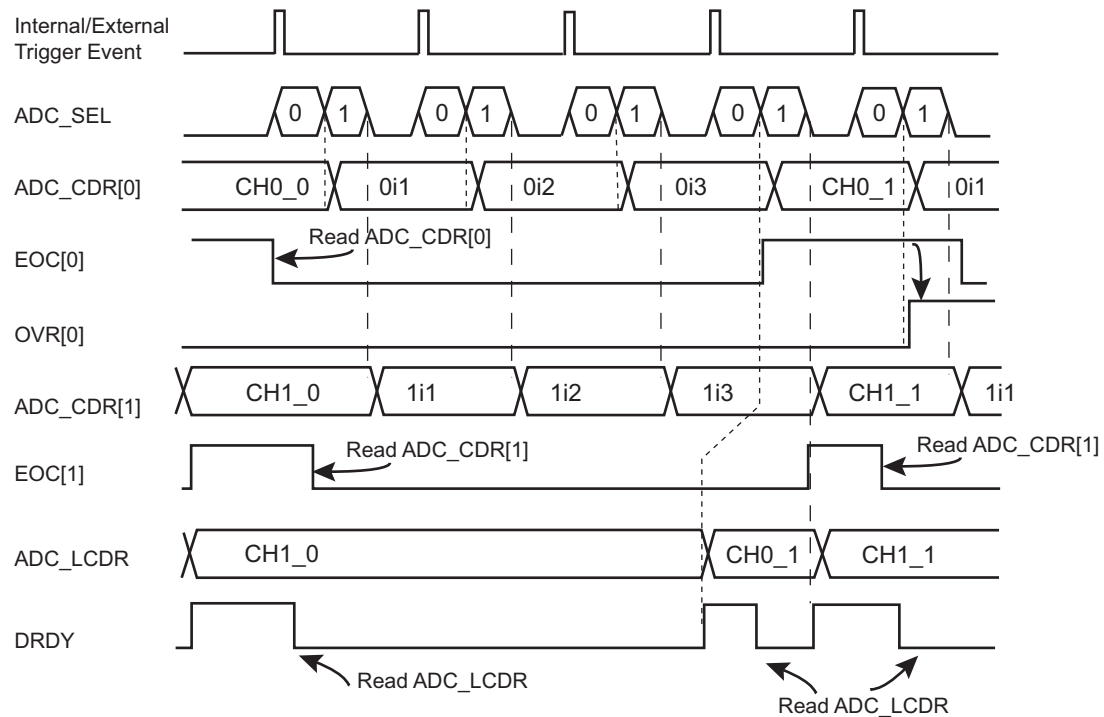
#### 45.6.11.2 Averaging Function versus Trigger Events

The samples can be defined in different ways for the averaging function depending on the configuration of the ADC\_EMR.ASTE bit and the ADC\_MR.USEQ bit.

When USEQ = 0, there are two possible ways to generate the averaging through the trigger event. If ADC\_EMR.ASTE = 0, every trigger event generates one sample for each enabled channel, as described in the following figure. Therefore, four trigger events are required to obtain the result of averaging if OSR = 1.

**Figure 45-8.** Digital Averaging Function Waveforms Over Multiple Trigger Events

ADC\_EMR.OSR = 1, ASTE = 0, ADC\_CHSR[1:0] = 0x3 and ADC\_MR.USEQ = 0

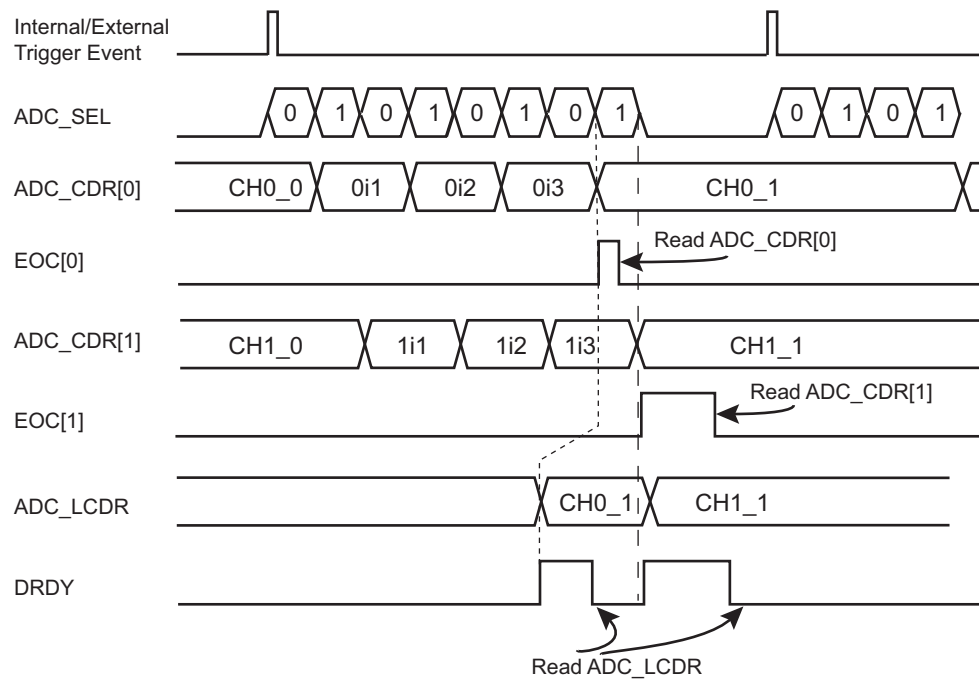


Note: ADC\_SEL: Command to the ADC analog cell  
0i1, 0i2, 0i3, 1i1, 1i2, 1i3 are intermediate results and CH0\_0, CH0\_1, CH1\_0 and CH1\_1 are final results of average function.

If ADC\_EMR.ASTE = 1 and ADC\_MR.USEQ = 0, the sequence to be converted, defined in ADC\_CHSR, is automatically repeated n times (where n corresponds to the oversampling ratio defined in the ADC\_EMR.OSR field). As a result, only one trigger is required to obtain the result of the averaging function as described in the following figure.

**Figure 45-9.** Digital Averaging Function Waveforms on a Single Trigger Event

ADC\_EMR.OSR = 1, ASTE = 1, ADC\_CHSR[1:0] = 0x3 and ADC\_MR.USEQ = 0



Note: ADC\_SEL: Command to the ADC analog cell  
0i1, 0i2, 0i3, 1i1, 1i2, 1i3 are intermediate results and CH0\_0, CH0\_1, CH1\_0 and CH1\_1 are final results of average function.

When USEQ = 1, the user can define the channel sequence to be converted by configuring ADC\_SEQRx and ADC\_CHER so that channels are not interleaved during the averaging period. Under these conditions, a sample is defined for each end of conversion as described in [Figure 45-10](#).

When USEQ = 1 and ASTE = 1, OSR can be only configured to 1. Up to three channels can be converted in this mode. The averaging result will be placed in the corresponding ADC\_CDRx and in ADC\_LCDR for each trigger event. The ADC real sample rate remains the maximum ADC sample rate divided by 4.

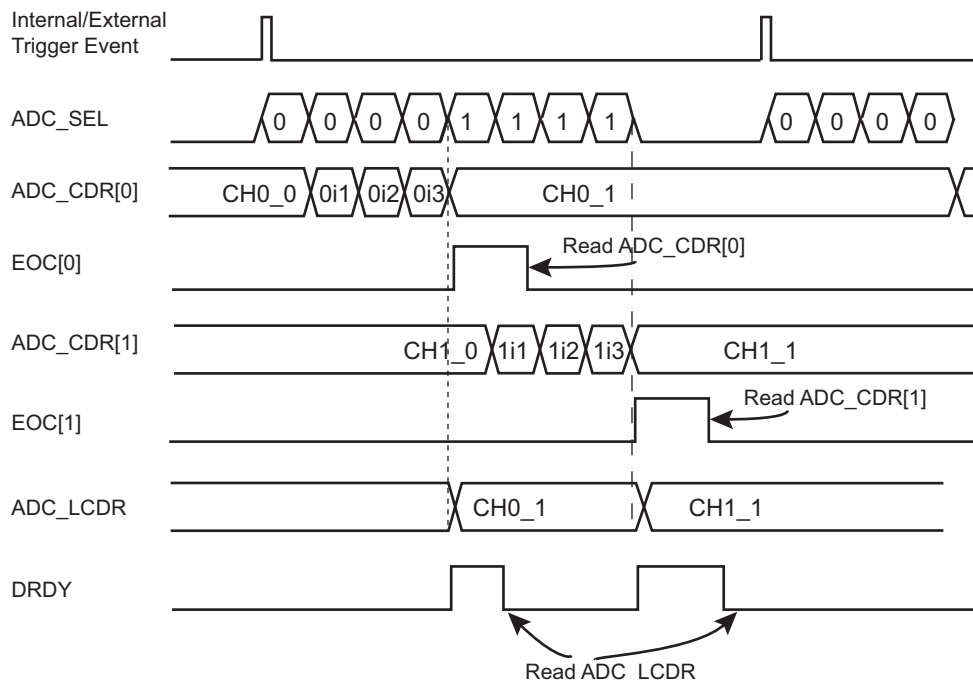
It is important that the user sequence follows a specific pattern. The user sequence must be programmed in such a way that it generates a stream of conversion, where a same channel is successively converted. The following table provides an example sequence configuration.

**Table 45-4.** Example Sequence Configurations (USEQ = 1, ASTE = 1, OSR = 1)

Register	Number of Channels Non-interleaved Averaging - Register Value		
	1 (e.g., CH0)	2 (e.g., CH0, CH1)	3 (e.g., CH0, CH1, CH2)
ADC_CHSR	0x0000_000F	0x0000_00FF	0x0000_0FFF
ADC_SEQR1	0x0000_0000	0x1111_0000	0x1111_0000
ADC_SEQR2	0x0000_0000	0x0000_0000	0x0000_2222

**Figure 45-10.** Digital Averaging Function Waveforms on a Single Trigger Event, Non-interleaved

ADC\_EMR.OSR = 1, ASTE = 1, ADC\_CHSR[7:0] = 0xFF and ADC\_MR.USEQ = 1  
 ADC\_SEQR1 = 0x1111\_0000



Note: ADC\_SEL: Command to the ADC analog cell  
 0i1, 0i2, 0i3, 1i1, 1i2, 1i3 are intermediate results and CH0\_0, CH0\_1, CH1\_0 and CH1\_1 are final results of average function.

#### 45.6.12 Automatic Error Correction

The ADC features automatic error correction of conversion results. Offset and gain error corrections are available. The correction can be enabled for each channel and correction values (offset and gain) are the same for all channels.

To enable error correction, the corresponding ECORRx bit must be set in the Channel Error Correction register (ADC\_CECR). The offset and gain values used to compensate the results are the same for all correction-enabled channels and programmed in the Correction Values register (ADC\_CVR).

The final conversion result after error correction is obtained using the following formula:

$$\text{Corrected Data} = (\text{Converted Data} + \text{OFFSETCORR}) \times \frac{\text{GAINCORR}}{2^{(Gs)}}$$

Where,

- OFFSETCORR—the Offset Correction value. OFFSETCORR is a signed value.
- GAINCORR—the Gain Correction value
- Gs—the value 15

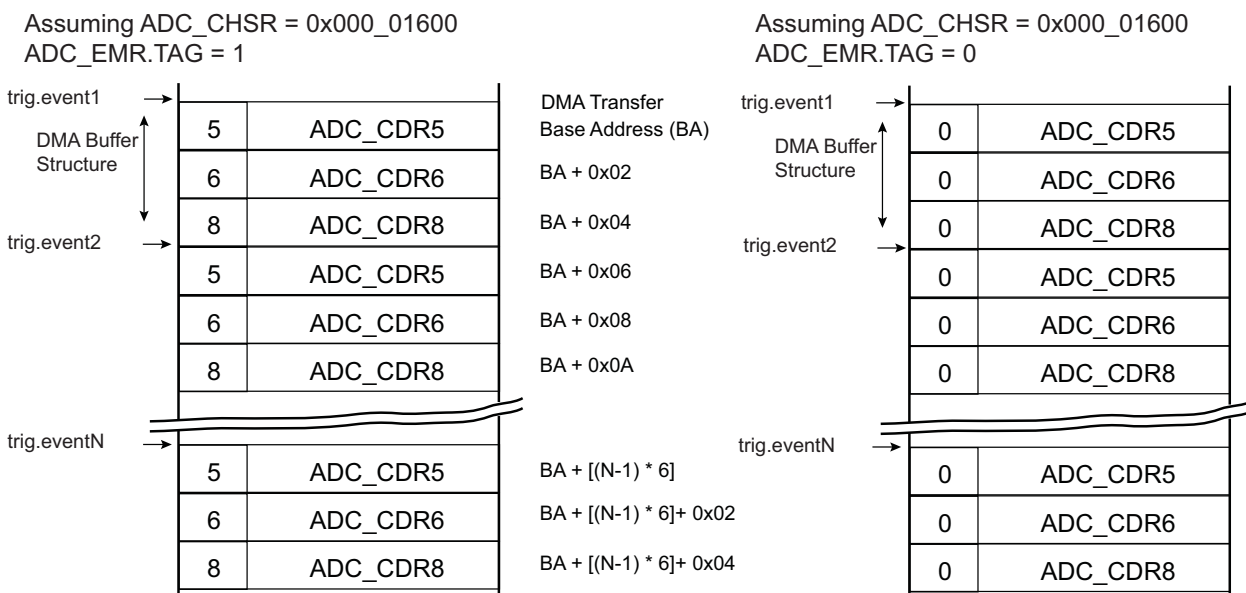
#### 45.6.13 Buffer Structure

The DMA read channel is triggered each time a new data is stored in ADC\_LCDR. The same data structure is repeatedly stored in ADC\_LCDR each time a trigger event occurs. Depending on user mode of operation (ADC\_MR, ADC\_CHSR, ADC\_SEQR1, ADC\_SEQR2, ADC\_TSMR) the structure differs. Each data read to DMA buffer, carried on a half-word (16-bit), consists of last converted data right-



aligned and when the ADC\_EMR.TAG is set, the four most significant bits are carrying the channel number thus allowing an easier post-processing in the DMA buffer or better checking the DMA buffer integrity.

**Figure 45-11. Buffer Structure**



#### 45.6.13.1 Classic ADC Channels Only

The data structure within the buffer is defined by ADC\_MR, ADC\_CHSR, ADC\_SEQRx. See figure [Buffer Structure](#).

If the user sequence is not used (that is, ADC\_MR.USEQ is cleared) then only the value of ADC\_CHSR defines the data structure. For each trigger event, enabled channels will be consecutively stored in ADC\_LCDR and automatically read to the buffer.

When the user sequence is configured (that is, ADC\_MR.USEQ is set) not only does ADC\_CHSR modify the data structure of the buffer, but ADC\_SEQRx registers may modify the data structure of the buffer as well.

#### 45.6.14 Fault Event

The ADC Controller internal fault output is directly connected to the PWM fault input. The fault event may be asserted depending on the configuration of ADC\_EMR, ADC\_CWR, and converted values.

Two types of comparison can trigger a comparison event (fault output pulse):

- The first comparison type is based on settings, that is, on all converted channels except the last one;
- The second comparison type is linked to the last channel.

As an example, overcurrent and temperature exceeding limits can trigger a fault to PWM.

When the comparison event occurs, the ADC fault output generates a pulse of one GCLK clock cycle to the PWM fault input. This fault line can be enabled or disabled within PWM. If it is activated and asserted by the ADC Controller, the PWM outputs are immediately placed in a safe state (pure combinational path).

**Notes:**

1. The ADC fault output connected to the PWM is not the COMPE bit. Therefore, the Fault mode (FMODE) within the PWM configuration must be FMODE = 1.
2. ADC GCLK clock frequency must be lower than PWM peripheral clock to guarantee the capture of the fault input signal by the PWM.

#### 45.6.15 Register Write Protection

To prevent any single software error from corrupting ADC behavior, certain registers in the address space can be write-protected by setting the bits WPEN and WPITEN in the [“ADC Write Protection Mode Register”](#) (ADC\_WPMR).

If a write access to the protected registers is detected, the WPVS flag in the [“ADC Write Protection Status Register”](#) (ADC\_WPSR) is set and the field WPVSR indicates the register in which the write access has been attempted.

The WPVS flag is automatically reset by reading ADC\_WPSR.

The following registers are write-protected when ADC\_WPMR.WPEN is set:

- [ADC Mode Register](#)
- [ADC Channel Sequence 1 Register](#)
- [ADC Channel Sequence 2 Register](#)
- [ADC Channel Enable Register](#)
- [ADC Channel Disable Register](#)
- [ADC Extended Mode Register](#)
- [ADC Compare Window Register](#)
- [ADC Channel Offset Register](#)
- [ADC Analog Control Register](#)
- [ADC Correction Values Register](#)
- [ADC Channel Error Correction Register](#)

The following registers are write-protected when ADC\_WPMR.WPITEN is set:

- [ADC Interrupt Enable Register](#)
- [ADC Interrupt Disable Register](#)

The following register is write-protected when ADC\_WPMR.WPCTEN is set:

- [ADC Control Register](#)

## 45.7 Register Summary

Offset	Name	Bit Pos.	7	6	5	4	3	2	1	0	
0x00	ADC_CR	7:0				CMPRST			START	SWRST	
		15:8									
		23:16									
		31:24									
0x04	ADC_MR	7:0	FREERUN	FWUP	SLEEP	LOWRES		TRGSEL[2:0]		TRGEN	
		15:8	PRESCAL[7:0]								
		23:16	ANACH		SETTLING[1:0]				STARTUP[3:0]		
		31:24	USEQ	MAXSPEED	TRANSFER[1:0]				TRACKTIM[3:0]		
0x08	ADC_SEQR1	7:0	USCH2[3:0]					USCH1[3:0]			
		15:8	USCH4[3:0]					USCH3[3:0]			
		23:16	USCH6[3:0]					USCH5[3:0]			
		31:24	USCH8[3:0]					USCH7[3:0]			
0x0C	ADC_SEQR2	7:0	USCH10[3:0]					USCH9[3:0]			
		15:8	USCH12[3:0]					USCH11[3:0]			
		23:16	USCH14[3:0]					USCH13[3:0]			
		31:24	USCH16[3:0]					USCH15[3:0]			
0x10	ADC_CHER	7:0	CH7	CH6	CH5	CH4	CH3	CH2	CH1	CH0	
		15:8	CH15	CH14	CH13	CH12	CH11	CH10	CH9	CH8	
		23:16									
		31:24									
0x14	ADC_CHDR	7:0	CH7	CH6	CH5	CH4	CH3	CH2	CH1	CH0	
		15:8	CH15	CH14	CH13	CH12	CH11	CH10	CH9	CH8	
		23:16									
		31:24									
0x18	ADC_CHSR	7:0	CH7	CH6	CH5	CH4	CH3	CH2	CH1	CH0	
		15:8	CH15	CH14	CH13	CH12	CH11	CH10	CH9	CH8	
		23:16									
		31:24									
0x1C ... 0x1F	Reserved										
0x20	ADC_LCDR	7:0	LDATA[7:0]								
		15:8	LDATA[15:8]								
		23:16									
		31:24	CHNBOSR[4:0]								
0x24	ADC_IER	7:0	EOC7	EOC6	EOC5	EOC4	EOC3	EOC2	EOC1	EOC0	
		15:8	EOC15	EOC14	EOC13	EOC12	EOC11	EOC10	EOC9	EOC8	
		23:16									
		31:24						COMPE	GOVRE	DRDY	
0x28	ADC_IDR	7:0	EOC7	EOC6	EOC5	EOC4	EOC3	EOC2	EOC1	EOC0	
		15:8	EOC15	EOC14	EOC13	EOC12	EOC11	EOC10	EOC9	EOC8	
		23:16									
		31:24						COMPE	GOVRE	DRDY	
0x2C	ADC_IMR	7:0	EOC7	EOC6	EOC5	EOC4	EOC3	EOC2	EOC1	EOC0	
		15:8	EOC15	EOC14	EOC13	EOC12	EOC11	EOC10	EOC9	EOC8	
		23:16									
		31:24						COMPE	GOVRE	DRDY	
0x30	ADC_ISR	7:0	EOC7	EOC6	EOC5	EOC4	EOC3	EOC2	EOC1	EOC0	
		15:8	EOC15	EOC14	EOC13	EOC12	EOC11	EOC10	EOC9	EOC8	
		23:16									
		31:24						COMPE	GOVRE	DRDY	
0x34 ... 0x3B	Reserved										
0x3C	ADC_OVER	7:0	OVRE7	OVRE6	OVRE5	OVRE4	OVRE3	OVRE2	OVRE1	OVRE0	
		15:8	OVRE15	OVRE14	OVRE13	OVRE12	OVRE11	OVRE10	OVRE9	OVRE8	
		23:16									
		31:24									

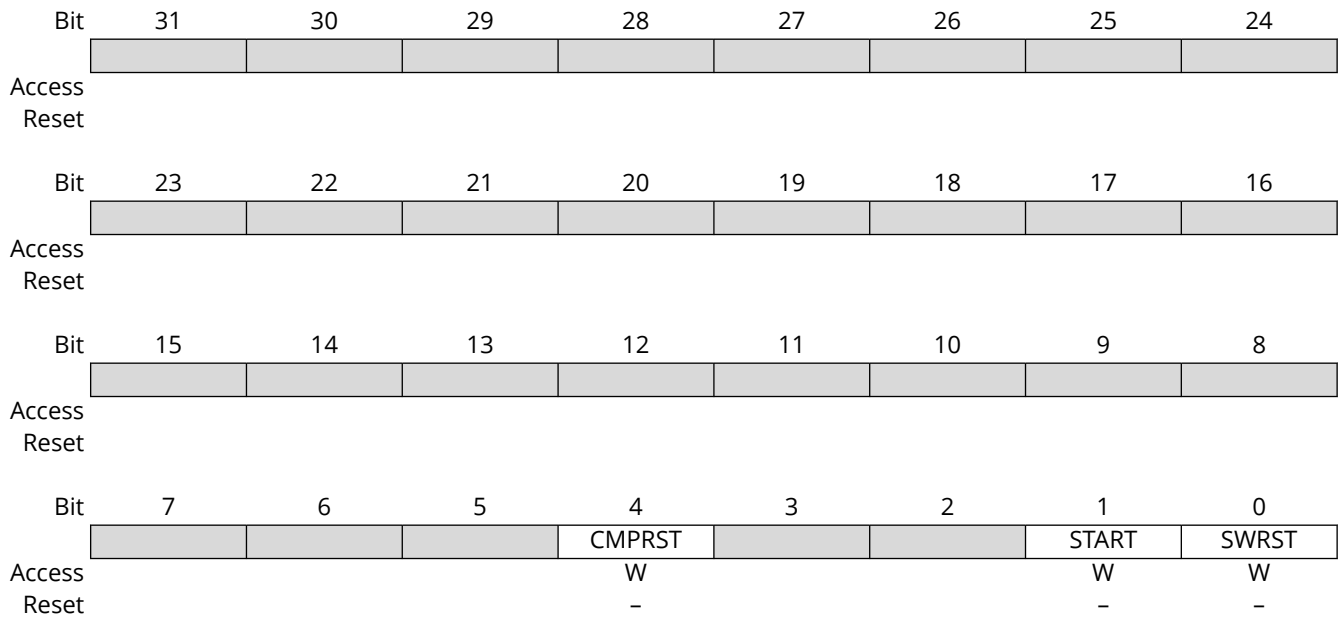
.....continued

Offset	Name	Bit Pos.	7	6	5	4	3	2	1	0	
0x40	ADC_EMR	7:0	CMPSEL[3:0]						CMPTYPE	CMPMODE[1:0]	
		15:8			CMPFILTER[1:0]					CMPALL	
		23:16		TRACKX4		ASTE				OSR[2:0]	
		31:24			ADCMODE[1:0]						TAG
0x44	ADC_CWR	7:0	LOWTHRES[7:0]								
		15:8	LOWTHRES[15:8]								
		23:16	HIGHTHRES[7:0]								
		31:24	HIGHTHRES[15:8]								
0x48	ADC_CGR	7:0	GAIN3[1:0]		GAIN2[1:0]		GAIN1[1:0]		GAIN0[1:0]		
		15:8	GAIN7[1:0]		GAIN6[1:0]		GAIN5[1:0]		GAIN4[1:0]		
		23:16	GAIN11[1:0]		GAIN10[1:0]		GAIN9[1:0]		GAIN8[1:0]		
		31:24	GAIN15[1:0]		GAIN14[1:0]		GAIN13[1:0]		GAIN12[1:0]		
0x4C	ADC_COR	7:0	OFF7	OFF6	OFF5	OFF4	OFF3	OFF2	OFF1	OFF0	
		15:8	OFF15	OFF14	OFF13	OFF12	OFF11	OFF10	OFF9	OFF8	
		23:16	DIFF7	DIFF6	DIFF5	DIFF4	DIFF3	DIFF2	DIFF1	DIFF0	
		31:24	DIFF15	DIFF14	DIFF13	DIFF12	DIFF11	DIFF10	DIFF9	DIFF8	
0x50	ADC_CDR0	7:0	DATA[7:0]								
		15:8	DATA[15:8]								
		23:16									
		31:24									
...											
0x8C	ADC_CDR15	7:0	DATA[7:0]								
		15:8	DATA[15:8]								
		23:16									
		31:24									
0x90	Reserved										
...											
0x93											
0x94	ADC_ACR	7:0									
		15:8							IBCTL[1:0]		
		23:16									
		31:24									
0x98	Reserved										
...											
0xD3											
0xD4	ADC_CVR	7:0	OFFSETCORR[7:0]								
		15:8	OFFSETCORR[15:8]								
		23:16	GAINCORR[7:0]								
		31:24	GAINCORR[15:8]								
0xD8	ADC_CECR	7:0	ECORR7	ECORR6	ECORR5	ECORR4	ECORR3	ECORR2	ECORR1	ECORR0	
		15:8	ECORR15	ECORR14	ECORR13	ECORR12	ECORR11	ECORR10	ECORR9	ECORR8	
		23:16									
		31:24									
0xDC	Reserved										
...											
0xE3											
0xE4	ADC_WPMR	7:0						WPCTEN	WPITEN	WPEN	
		15:8	WPKEY[7:0]								
		23:16	WPKEY[15:8]								
		31:24	WPKEY[23:16]								
0xE8	ADC_WPSR	7:0									WPVS
		15:8	WPVSR[7:0]								
		23:16	WPVSR[15:8]								
		31:24									

### 45.7.1 ADC Control Register

**Name:** ADC\_CR  
**Offset:** 0x00  
**Reset:** -  
**Property:** Write-only

This register can only be written if the WPCTEN bit is cleared in the [ADC Write Protection Mode Register](#).



#### Bit 4 - CMRST Comparison Restart

Value	Description
0	No effect.
1	Stops the conversion result storage until the next comparison match.

#### Bit 1 - START Start Conversion

Value	Description
0	No effect.
1	Triggers a single sequence of analog-to-digital conversions if ADC_MR.TRGEN=0.

#### Bit 0 - SWRST Software Reset

Value	Description
0	No effect.
1	Resets the ADC.

## 45.7.2 ADC Mode Register

**Name:** ADC\_MR  
**Offset:** 0x04  
**Reset:** 0x30000000  
**Property:** Read/Write

This register can only be written if the WPEN bit is cleared in the [ADC Write Protection Mode Register](#).

Bit	31	30	29	28	27	26	25	24
	USEQ	MAXSPEED	TRANSFER[1:0]		TRACKTIM[3:0]			
Access	R/W	R/W	R/W	R/W	R/W	R/W	R/W	R/W
Reset	0	0	1	1	0	0	0	0
Bit	23	22	21	20	19	18	17	16
	ANACH		SETTLING[1:0]		STARTUP[3:0]			
Access	R/W		R/W	R/W	R/W	R/W	R/W	R/W
Reset	0		0	0	0	0	0	0
Bit	15	14	13	12	11	10	9	8
	PRESCAL[7:0]							
Access	R/W	R/W	R/W	R/W	R/W	R/W	R/W	R/W
Reset	0	0	0	0	0	0	0	0
Bit	7	6	5	4	3	2	1	0
	FREERUN	FWUP	SLEEP	LOWRES	TRGSEL[2:0]		TRGEN	
Access	R/W	R/W	R/W	R/W	R/W	R/W	R/W	R/W
Reset	0	0	0	0	0	0	0	0

### Bit 31 – USEQ User Sequence Enable

Value	Name	Description
0	NUM_ORDER	Normal mode: The controller converts channels in a simple numeric order depending only on the channel index.
1	REG_ORDER	User Sequence mode: The sequence respects what is defined in ADC_SEQR1 and ADC_SEQR2 registers and can be used to convert the same channel several times.

### Bit 30 – MAXSPEED Maximum Sampling Rate Enable in Freerun Mode

This bit should always be set to 1.

### Bits 29:28 – TRANSFER[1:0] Transfer Time

The TRANSFER field must be set to 2 to guarantee the optimal transfer time.

### Bits 27:24 – TRACKTIM[3:0] Tracking Time

ADC_EMR.TRACK4X	TRACKTIM		
	0 to 3	4 to 14	15
0		$6 \times t_{ADCLK}$	$7 \times t_{ADCLK}$
1	$6 \times t_{ADCLK}$	$([4 \times (\text{TRACKTIM} + 1)] - 10) \times t_{ADCLK}$	

### Bit 23 – ANACH Analog Change

Value	Name	Description
0	NONE	No analog change on channel switching: DIFF0 is used for all channels.
1	ALLOWED	Allows different analog settings for each channel. See <a href="#">ADC_COR</a> .

**Bits 21:20 – SETTILING[1:0]** Analog Settling Time

Value	Name	Description
0	AST3	3 periods of ADCCLK
1	AST5	5 periods of ADCCLK
2	AST9	9 periods of ADCCLK
3	AST17	17 periods of ADCCLK

**Bits 19:16 – STARTUP[3:0]** Startup Time

Value	Name	Description
0	SUT0	0 periods of ADCCLK
1	SUT8	8 periods of ADCCLK
2	SUT16	16 periods of ADCCLK
3	SUT24	24 periods of ADCCLK
4	SUT64	64 periods of ADCCLK
5	SUT80	80 periods of ADCCLK
6	SUT96	96 periods of ADCCLK
7	SUT112	112 periods of ADCCLK
8	SUT512	512 periods of ADCCLK
9	SUT576	576 periods of ADCCLK
10	SUT640	640 periods of ADCCLK
11	SUT704	704 periods of ADCCLK
12	SUT768	768 periods of ADCCLK
13	SUT832	832 periods of ADCCLK
14	SUT896	896 periods of ADCCLK
15	SUT960	960 periods of ADCCLK

**Bits 15:8 – PRESCAL[7:0]** Prescaler Rate Selection

$$\text{PRESCAL} = (\text{f}_{\text{GCLK}} / (2 \times \text{f}_{\text{ADCCLK}})) - 1.$$

**Bit 7 – FREERUN** Free Running

Value	Name	Description
0	OFF	Normal Mode
1	ON	Free Run Mode: Never wait for any trigger.

**Bit 6 – FWUP** Fast Wakeup

Value	Name	Description
0	OFF	If SLEEP is 1, then both ADC core and reference voltage circuitry are OFF between conversions
1	ON	If SLEEP is 1, then Fast Wakeup Sleep mode: The voltage reference is ON between conversions and ADC core is OFF

**Bit 5 – SLEEP** Sleep Mode

Value	Name	Description
0	NORMAL	Normal Mode: The ADC core and reference voltage circuitry are kept ON between conversions.
1	SLEEP	Sleep Mode: The wakeup time can be modified by programming the FWUP bit.

**Bit 4 – LOWRES** Low resolution

Value	Name	Description
0	12_BITS	12 BITS resolution.
1	10 BITS	10 BITS resolution

**Bits 3:1 – TRGSEL[2:0]** Trigger Selection

The trigger selection can be performed only if ADC\_MR.TRGEN = 1.

Value	Name	Description
0	ADC_TRIG0	ADTRG
1	ADC_TRIG1	TIOA0
2	ADC_TRIG2	TIOA1

Value	Name	Description
3	ADC_TRIG3	TIOA2
4	ADC_TRIG4	PWM0 Event 0
5	ADC_TRIG5	PWM0 Event 1
6	ADC_TRIG6	PWM1 Event 0
7	ADC_TRIG7	PWM1 Event 1

**Bit 0 - TRGEN** Trigger Enable

Value	Name	Description
0	DIS	Hardware triggers are disabled. Starting a conversion is only possible by software.
1	EN	Hardware trigger selected by TRGSEL is enabled. (rising mode selected)



### 45.7.3 ADC Channel Sequence 1 Register

**Name:** ADC\_SEQR1  
**Offset:** 0x08  
**Reset:** 0x00000000  
**Property:** Read/Write

This register can only be written if the WPEN bit is cleared in the [ADC Write Protection Mode Register](#).

Bit	31	30	29	28	27	26	25	24
	USCH8[3:0]				USCH7[3:0]			
Access	R/W	R/W	R/W	R/W	R/W	R/W	R/W	R/W
Reset	0	0	0	0	0	0	0	0
Bit	23	22	21	20	19	18	17	16
	USCH6[3:0]				USCH5[3:0]			
Access	R/W	R/W	R/W	R/W	R/W	R/W	R/W	R/W
Reset	0	0	0	0	0	0	0	0
Bit	15	14	13	12	11	10	9	8
	USCH4[3:0]				USCH3[3:0]			
Access	R/W	R/W	R/W	R/W	R/W	R/W	R/W	R/W
Reset	0	0	0	0	0	0	0	0
Bit	7	6	5	4	3	2	1	0
	USCH2[3:0]				USCH1[3:0]			
Access	R/W	R/W	R/W	R/W	R/W	R/W	R/W	R/W
Reset	0	0	0	0	0	0	0	0

#### Bits 0:3, 4:7, 8:11, 12:15, 16:19, 20:23, 24:27, 28:31 – USCHx User Sequence Number x

This register can be used only if the ADC\_MR.USEQ field is set to '1'.

Any USCHx field is processed only if the ADC\_CHSR.CHx-1 bit reads logical '1', else any value written in USCHx does not add the corresponding channel in the conversion sequence.

Configuring the same value in different fields leads to multiple samples of the same channel during the conversion sequence. This can be done consecutively, or not, according to user needs.

Example: for each trigger event, to obtain the "CH3 CH1 CH0 CH4 CH4" conversion sequence, use the following settings:

ADC\_SEQR1.USCH1=3, ADC\_CHSR.CH0=1  
 ADC\_SEQR1.USCH2=1, ADC\_CHSR.CH1=1  
 ADC\_SEQR1.USCH3=0, ADC\_CHSR.CH2=1  
 ADC\_SEQR1.USCH4=4, ADC\_CHSR.CH3=1  
 ADC\_SEQR1.USCH5=4, ADC\_CHSR.CH4=1

#### 45.7.4 ADC Channel Sequence 2 Register

**Name:** ADC\_SEQR2  
**Offset:** 0x0C  
**Reset:** 0x00000000  
**Property:** Read/Write

This register can only be written if the WPEN bit is cleared in the [ADC Write Protection Mode Register](#).

Bit	31	30	29	28	27	26	25	24
	USCH16[3:0]				USCH15[3:0]			
Access	R/W	R/W	R/W	R/W	R/W	R/W	R/W	R/W
Reset	0	0	0	0	0	0	0	0
Bit	23	22	21	20	19	18	17	16
	USCH14[3:0]				USCH13[3:0]			
Access	R/W	R/W	R/W	R/W	R/W	R/W	R/W	R/W
Reset	0	0	0	0	0	0	0	0
Bit	15	14	13	12	11	10	9	8
	USCH12[3:0]				USCH11[3:0]			
Access	R/W	R/W	R/W	R/W	R/W	R/W	R/W	R/W
Reset	0	0	0	0	0	0	0	0
Bit	7	6	5	4	3	2	1	0
	USCH10[3:0]				USCH9[3:0]			
Access	R/W	R/W	R/W	R/W	R/W	R/W	R/W	R/W
Reset	0	0	0	0	0	0	0	0

#### Bits 0:3, 4:7, 8:11, 12:15, 16:19, 20:23, 24:27, 28:31, 32:35, 36:39, 40:43, 44:47, 48:51, 52:55, 56:59, 60:63 – USCHx User Sequence Number x

This register can be used only if the ADC\_MR.USEQ field is set to '1'.

Any USCHx field is processed only if the ADC\_CHSR.CHx-1 bit reads logical '1', else any value written in USCHx does not add the corresponding channel in the conversion sequence.

Configuring the same value in different fields leads to multiple samples of the same channel during the conversion sequence. This can be done consecutively, or not, according to user needs.

### 45.7.5 ADC Channel Enable Register

**Name:** ADC\_CHER  
**Offset:** 0x10  
**Reset:** -  
**Property:** Write-only

This register can only be written if the WPEN bit is cleared in the [ADC Write Protection Mode Register](#).

Bit	31	30	29	28	27	26	25	24
Access								
Reset								
Bit	23	22	21	20	19	18	17	16
Access								
Reset								
Bit	15	14	13	12	11	10	9	8
Access	CH15	CH14	CH13	CH12	CH11	CH10	CH9	CH8
Reset	W	W	W	W	W	W	W	W
Reset	-	-	-	-	-	-	-	-
Bit	7	6	5	4	3	2	1	0
Access	CH7	CH6	CH5	CH4	CH3	CH2	CH1	CH0
Reset	W	W	W	W	W	W	W	W
Reset	-	-	-	-	-	-	-	-

#### Bits 0, 1, 2, 3, 4, 5, 6, 7, 8, 9, 10, 11, 12, 13, 14, 15 - CHx Channel x Enable

If ADC\_MR.USEQ = 1, CHx corresponds to the enable of sequence number x+1 described in ADC\_SEQR1 and ADC\_SEQR2 (e.g. CH0 enables sequence number USCH1).

Value	Description
0	No effect.
1	Enables the corresponding channel.

### 45.7.6 ADC Channel Disable Register

**Name:** ADC\_CHDR  
**Offset:** 0x14  
**Reset:** -  
**Property:** Write-only

This register can only be written if the WPEN bit is cleared in the [ADC Write Protection Mode Register](#).

Bit	31	30	29	28	27	26	25	24
Access								
Reset								
Bit	23	22	21	20	19	18	17	16
Access								
Reset								
Bit	15	14	13	12	11	10	9	8
Access	CH15	CH14	CH13	CH12	CH11	CH10	CH9	CH8
Reset	W	W	W	W	W	W	W	W
Bit	7	6	5	4	3	2	1	0
Access	CH7	CH6	CH5	CH4	CH3	CH2	CH1	CH0
Reset	W	W	W	W	W	W	W	W

#### Bits 0, 1, 2, 3, 4, 5, 6, 7, 8, 9, 10, 11, 12, 13, 14, 15 – CHx Channel x Disable



If the corresponding channel is disabled during a conversion or if it is disabled and then reenabled during a conversion, its associated data and corresponding EOCx and GOVRE flags in ADC\_ISR and OVREx flags in ADC\_OVER are unpredictable

Value	Description
0	No effect.
1	Disables the corresponding channel.

### 45.7.7 ADC Channel Status Register

**Name:** ADC\_CHSR  
**Offset:** 0x18  
**Reset:** 0x00000000  
**Property:** Read-only

Bit	31	30	29	28	27	26	25	24
Access								
Reset								
Bit	23	22	21	20	19	18	17	16
Access								
Reset								
Bit	15	14	13	12	11	10	9	8
Access	W	W	W	W	W	W	W	W
Reset	0	0	0	0	0	0	0	0
Bit	7	6	5	4	3	2	1	0
Access	W	W	W	W	W	W	W	W
Reset	0	0	0	0	0	0	0	0

#### Bits 0, 1, 2, 3, 4, 5, 6, 7, 8, 9, 10, 11, 12, 13, 14, 15 – CHx Channel x Status

Value	Description
0	The corresponding channel (or part of sequence, see ADC_SEQyR.USCHx field) is disabled.
1	The corresponding channel (or part of sequence, see ADC_SEQyR.USCHx field) is enabled.

**Note:** As an example, when ADC\_MR.USEQ=1 and ADC\_CHSR.CH2=1, the channel configured in ADC\_SEQ1R.USCH3 is part of the sequence of conversions.

### 45.7.8 ADC Last Converted Data Register

**Name:** ADC\_LCDR  
**Offset:** 0x20  
**Reset:** 0x00000000  
**Property:** Read-only

Bit	31	30	29	28	27	26	25	24
	CHNBOSR[4:0]							
Access				R	R	R	R	R
Reset				0	0	0	0	0
Bit	23	22	21	20	19	18	17	16
Access								
Reset								
Bit	15	14	13	12	11	10	9	8
	LDATA[15:8]							
Access	R	R	R	R	R	R	R	R
Reset	0	0	0	0	0	0	0	0
Bit	7	6	5	4	3	2	1	0
	LDATA[7:0]							
Access	R	R	R	R	R	R	R	R
Reset	0	0	0	0	0	0	0	0

**Bits 28:24 - CHNBOSR[4:0]** Channel Number in Oversampling Mode

Indicates the last converted channel when the ADC\_EMR.TAG bit is set and the ADC\_EMR.OSR field is not equal to 0. If the ADC\_EMR.TAG bit is not set, CHNBOSR = 0.

**Bits 15:0 - LDATA[15:0]** Last Data Converted

The analog-to-digital conversion data is placed into this register at the end of a conversion and remains until a new conversion is completed.

If OSR = 0 and TAG = 1 in ADC\_EMR, the 4 MSBs of LDATA carry the channel number to obtain a packed system memory buffer made of 1 converted data stored in a halfword (16-bit) instead of 1 converted data in a 32-bit word, thus dividing by 2 the size of the memory buffer.

### 45.7.9 ADC Interrupt Enable Register

**Name:** ADC\_IER  
**Offset:** 0x24  
**Reset:** -  
**Property:** Write-only

This register can only be written if the WPITEN bit is cleared in the [ADC Write Protection Mode Register](#).

The following configuration values are valid for all listed bit names of this register:

0: No effect.

1: Enables the corresponding interrupt.

Bit	31	30	29	28	27	26	25	24
						COMPE	GOVRE	DRDY
Access						W	W	W
Reset						-	-	-
Bit	23	22	21	20	19	18	17	16
Access								
Reset								
Bit	15	14	13	12	11	10	9	8
	EOC15	EOC14	EOC13	EOC12	EOC11	EOC10	EOC9	EOC8
Access	W	W	W	W	W	W	W	W
Reset	-	-	-	-	-	-	-	-
Bit	7	6	5	4	3	2	1	0
	EOC7	EOC6	EOC5	EOC4	EOC3	EOC2	EOC1	EOC0
Access	W	W	W	W	W	W	W	W
Reset	-	-	-	-	-	-	-	-

**Bit 26 – COMPE** Comparison Event Interrupt Enable

**Bit 25 – GOVRE** General Overrun Error Interrupt Enable

**Bit 24 – DRDY** Data Ready Interrupt Enable

**Bits 0, 1, 2, 3, 4, 5, 6, 7, 8, 9, 10, 11, 12, 13, 14, 15 – EOCx** End of Conversion Interrupt Enable

### 45.7.10 ADC Interrupt Disable Register

**Name:** ADC\_IDR  
**Offset:** 0x28  
**Reset:** -  
**Property:** Write-only

This register can only be written if the WPITEN bit is cleared in the [ADC Write Protection Mode Register](#).

The following configuration values are valid for all listed bit names of this register:

0: No effect.

1: Disables the corresponding interrupt.

Bit	31	30	29	28	27	26	25	24
						COMPE	GOVRE	DRDY
Access						W	W	W
Reset						-	-	-
Bit	23	22	21	20	19	18	17	16
Access								
Reset								
Bit	15	14	13	12	11	10	9	8
	EOC15	EOC14	EOC13	EOC12	EOC11	EOC10	EOC9	EOC8
Access	W	W	W	W	W	W	W	W
Reset	-	-	-	-	-	-	-	-
Bit	7	6	5	4	3	2	1	0
	EOC7	EOC6	EOC5	EOC4	EOC3	EOC2	EOC1	EOC0
Access	W	W	W	W	W	W	W	W
Reset	-	-	-	-	-	-	-	-

**Bit 26 – COMPE** Comparison Event Interrupt Disable

**Bit 25 – GOVRE** General Overrun Error Interrupt Disable

**Bit 24 – DRDY** Data Ready Interrupt Disable

**Bits 0, 1, 2, 3, 4, 5, 6, 7, 8, 9, 10, 11, 12, 13, 14, 15 – EOCx** End of Conversion Interrupt Disable x



### 45.7.11 ADC Interrupt Mask Register

**Name:** ADC\_IMR  
**Offset:** 0x2C  
**Reset:** 0x00000000  
**Property:** Read-only

The following configuration values are valid for all listed bit names of this register:

0: The corresponding interrupt is disabled.

1: The corresponding interrupt is enabled.

Bit	31	30	29	28	27	26	25	24
						COMPE	GOVRE	DRDY
Access						R	R	R
Reset						0	0	0
Bit	23	22	21	20	19	18	17	16
Access								
Reset								
Bit	15	14	13	12	11	10	9	8
	EOC15	EOC14	EOC13	EOC12	EOC11	EOC10	EOC9	EOC8
Access	R	R	R	R	R	R	R	R
Reset	0	0	0	0	0	0	0	0
Bit	7	6	5	4	3	2	1	0
	EOC7	EOC6	EOC5	EOC4	EOC3	EOC2	EOC1	EOC0
Access	R	R	R	R	R	R	R	R
Reset	0	0	0	0	0	0	0	0

**Bit 26 – COMPE** Comparison Event Interrupt Mask

**Bit 25 – GOVRE** General Overrun Error Interrupt Mask

**Bit 24 – DRDY** Data Ready Interrupt Mask

**Bits 0, 1, 2, 3, 4, 5, 6, 7, 8, 9, 10, 11, 12, 13, 14, 15 – EOCx** End of Conversion Interrupt Mask x

### 45.7.12 ADC Interrupt Status Register

**Name:** ADC\_ISR  
**Offset:** 0x30  
**Reset:** 0x00000000  
**Property:** Read-only

Bit	31	30	29	28	27	26	25	24
						COMPE	GOVRE	DRDY
Access						R	R	R
Reset						0	0	0
Bit	23	22	21	20	19	18	17	16
Access								
Reset								
Bit	15	14	13	12	11	10	9	8
	EOC15	EOC14	EOC13	EOC12	EOC11	EOC10	EOC9	EOC8
Access	R	R	R	R	R	R	R	R
Reset	0	0	0	0	0	0	0	0
Bit	7	6	5	4	3	2	1	0
	EOC7	EOC6	EOC5	EOC4	EOC3	EOC2	EOC1	EOC0
Access	R	R	R	R	R	R	R	R
Reset	0	0	0	0	0	0	0	0

#### Bit 26 – COMPE Comparison Event (cleared on read)

Value	Description
0	No comparison event since the last read of ADC_ISR.
1	At least one comparison event (defined in ADC_EMR and ADC_CWR) has occurred since the last read of ADC_ISR.

#### Bit 25 – GOVRE General Overrun Error (cleared on read)

Value	Description
0	No general overrun error occurred since the last read of ADC_ISR.
1	At least one general overrun error has occurred since the last read of ADC_ISR.

#### Bit 24 – DRDY Data Ready (automatically set / cleared)

Value	Description
0	No data has been converted since the last read of ADC_LCDR.
1	At least one data has been converted and is available in ADC_LCDR.

#### Bits 0, 1, 2, 3, 4, 5, 6, 7, 8, 9, 10, 11, 12, 13, 14, 15 – EOCx End of Conversion x (automatically set / cleared)

Value	Description
0	The corresponding analog channel is disabled, or the conversion is not finished. This flag is cleared when reading the corresponding ADC_CDRx registers.
1	The corresponding analog channel is enabled and conversion is complete.

### 45.7.13 ADC Overrun Status Register

**Name:** ADC\_OVER  
**Offset:** 0x3C  
**Reset:** 0x00000000  
**Property:** Read-only

Bit	31	30	29	28	27	26	25	24
Access								
Reset								
Bit	23	22	21	20	19	18	17	16
Access								
Reset								
Bit	15	14	13	12	11	10	9	8
Access	R	R	R	R	R	R	R	R
Reset	0	0	0	0	0	0	0	0
Bit	7	6	5	4	3	2	1	0
Access	R	R	R	R	R	R	R	R
Reset	0	0	0	0	0	0	0	0

#### Bits 0, 1, 2, 3, 4, 5, 6, 7, 8, 9, 10, 11, 12, 13, 14, 15 – OVREx Overrun Error x

Value	Description
0	No overrun error on the corresponding channel since the last read of ADC_OVER.
1	An overrun error has occurred on the corresponding channel since the last read of ADC_OVER.

**Note:** An overrun error does not always mean that the unread data has been replaced by a new valid data. See [45.6.11. Enhanced Resolution Mode and Digital Averaging Function](#) for details.

#### 45.7.14 ADC Extended Mode Register

**Name:** ADC\_EMR  
**Offset:** 0x40  
**Reset:** 0x04000000  
**Property:** Read/Write

This register can only be written if the WPEN bit is cleared in the [ADC Write Protection Mode Register](#).

Bit	31	30	29	28	27	26	25	24
			ADCMODE[1:0]				TAG	
Access			R/W	R/W			R/W	
Reset			0	0			0	
Bit	23	22	21	20	19	18	17	16
	TRACKX4				ASTE	OSR[2:0]		
Access	R/W				R/W	R/W	R/W	R/W
Reset	0				0	0	0	0
Bit	15	14	13	12	11	10	9	8
			CMPFILTER[1:0]				CMPALL	
Access			R/W	R/W			R/W	
Reset			0	0			0	
Bit	7	6	5	4	3	2	1	0
	CMPSEL[3:0]					CMPTYPE	CMPMODE[1:0]	
Access	R/W	R/W	R/W	R/W			R/W	R/W
Reset	0	0	0	0			0	0

#### Bits 29:28 – ADCMODE[1:0] ADC Running Mode

See [45.6.12. Automatic Error Correction](#) for details on ADC running mode.

Value	Name	Description
0	NORMAL	Normal mode of operation.
1	OFFSET_ERROR	Offset Error mode to measure the offset error.
2	GAIN_ERROR_HIGH	Gain Error mode to measure the gain error.
3	GAIN_ERROR_LOW	Gain Error mode to measure the gain error.

#### Bit 24 – TAG Tag of ADC\_LCDR

Value	Description
0	Sets ADC_LCDR.CHNB field to zero.
1	Appends the channel number to the conversion result in ADC_LCDR.

#### Bit 22 – TRACKX4 Tracking Time x4

Value	Name	Description
0	TRACK1	The ADC_MR.TRACKTIM field effect is multiplied by 1.
1	TRACK4	The ADC_MR.TRACKTIM field effect is multiplied by 4.

#### Bit 20 – ASTE Averaging on Single Trigger Event

Value	Name	Description
0	MULTI_TRIG_AVERAGE	The average requests several trigger events.
1	SINGLE_TRIG_AVERAGE	The average requests only one trigger event.

#### Bits 18:16 – OSR[2:0] Over Sampling Rate

Value	Name	Description
0	NO_AVERAGE	No averaging. ADC sample rate is maximum.
1	OSR4	1-bit enhanced resolution by averaging. ADC sample rate divided by 4.
2	OSR16	2-bit enhanced resolution by averaging. ADC sample rate divided by 16.
3	OSR64	3-bit enhanced resolution by averaging. ADC sample rate divided by 64.
4	OSR256	4-bit enhanced resolution by averaging. ADC sample rate divided by 256.

**Bits 13:12 – CMPFILTER[1:0]** Compare Event Filtering

Number of consecutive compare events necessary to raise the flag = CMPFILTER+1  
When programmed to 0, the flag rises as soon as an event occurs.  
See 45.6.8. [Comparison Window](#) when using the filtering option (CMPFILTER > 0).

**Bit 9 – CMPALL** Compare All Channels

Value	Description
0	Only channel indicated in CMPSEL field is compared.
1	All channels are compared.

**Bits 7:4 – CMPSEL[3:0]** Comparison Selected Channel

If CMPALL = 0: CMPSEL indicates which channel has to be compared.  
If CMPALL = 1: No effect.

**Bit 2 – CMPTYPE** Comparison Type

Value	Name	Description
0	FLAG_ONLY	Any conversion is performed and comparison function drives the ADC_ISR.COMPE flag.
1	START_CONDITION	Comparison conditions must be met to start the storage of all conversions until the ADC_CR.CMPRST bit is set.

**Bits 1:0 – CMPMODE[1:0]** Comparison Mode

Value	Name	Description
0	LOW	When the converted data is lower than the low threshold of the window, generates the ADC_ISR.COMPE flag or, in Partial Wakeup mode, defines the conditions to exit system from Wait mode.
1	HIGH	When the converted data is higher than the high threshold of the window, generates the ADC_ISR.COMPE flag or, in Partial Wakeup mode, defines the conditions to exit system from Wait mode.
2	IN	When the converted data is in the comparison window, generates the ADC_ISR.COMPE flag or, in Partial Wakeup mode, defines the conditions to exit system from Wait mode.
3	OUT	When the converted data is out of the comparison window, generates the ADC_ISR.COMPE flag or, in Partial Wakeup mode, defines the conditions to exit system from Wait mode.

### 45.7.15 ADC Compare Window Register

**Name:** ADC\_CWR  
**Offset:** 0x44  
**Reset:** 0x00000000  
**Property:** Read/Write

This register can only be written if the WPEN bit is cleared in the [ADC Write Protection Mode Register](#).

Bit	31	30	29	28	27	26	25	24
	HIGHTHRES[15:8]							
Access	R/W	R/W	R/W	R/W	R/W	R/W	R/W	R/W
Reset	0	0	0	0	0	0	0	0
Bit	23	22	21	20	19	18	17	16
	HIGHTHRES[7:0]							
Access	R/W	R/W	R/W	R/W	R/W	R/W	R/W	R/W
Reset	0	0	0	0	0	0	0	0
Bit	15	14	13	12	11	10	9	8
	LOWTHRES[15:8]							
Access	R/W	R/W	R/W	R/W	R/W	R/W	R/W	R/W
Reset	0	0	0	0	0	0	0	0
Bit	7	6	5	4	3	2	1	0
	LOWTHRES[7:0]							
Access	R/W	R/W	R/W	R/W	R/W	R/W	R/W	R/W
Reset	0	0	0	0	0	0	0	0

**Bits 31:16 – HIGHTHRES[15:0]** High Threshold  
 High threshold associated to compare settings of ADC\_EMR.

**Bits 15:0 – LOWTHRES[15:0]** Low Threshold  
 Low threshold associated to compare settings of ADC\_EMR.

### 45.7.16 ADC Channel Gain Register

**Name:** ADC\_CGR  
**Offset:** 0x48  
**Reset:** 0x00000000  
**Property:** Read/Write

This register can only be written if the WPEN bit is cleared in the [ADC Write Protection Mode Register](#).

Bit	31	30	29	28	27	26	25	24
	GAIN15[1:0]		GAIN14[1:0]		GAIN13[1:0]		GAIN12[1:0]	
Access	R/W	R/W	R/W	R/W	R/W	R/W	R/W	R/W
Reset	0	0	0	0	0	0	0	0
Bit	23	22	21	20	19	18	17	16
	GAIN11[1:0]		GAIN10[1:0]		GAIN9[1:0]		GAIN8[1:0]	
Access	R/W	R/W	R/W	R/W	R/W	R/W	R/W	R/W
Reset	0	0	0	0	0	0	0	0
Bit	15	14	13	12	11	10	9	8
	GAIN7[1:0]		GAIN6[1:0]		GAIN5[1:0]		GAIN4[1:0]	
Access	R/W	R/W	R/W	R/W	R/W	R/W	R/W	R/W
Reset	0	0	0	0	0	0	0	0
Bit	7	6	5	4	3	2	1	0
	GAIN3[1:0]		GAIN2[1:0]		GAIN1[1:0]		GAIN0[1:0]	
Access	R/W	R/W	R/W	R/W	R/W	R/W	R/W	R/W
Reset	0	0	0	0	0	0	0	0

**Bits 0:1, 2:3, 4:5, 6:7, 8:9, 10:11, 12:13, 14:15, 16:17, 18:19, 20:21, 22:23, 24:25, 26:27, 28:29, 30:31 – GAINx**  
Gain for Channel x

Gain applied on input of analog-to-digital converter, see [Figure 45-7](#). The DIFFx bit in this table is described in [45.7.17. ADC\\_COR](#)

Value	Name	Description
0	SE1_DIFF0_5	Single-ended gain = 1 (ADC_COR.DIFFx = 0), differential gain = 0.5 (ADC_COR.DIFFx = 1)
1	SE1_DIFF1	Single-ended gain = 1 (ADC_COR.DIFFx = 0), differential gain = 1 (ADC_COR.DIFFx = 1)
2	SE2_DIFF2	Single-ended gain = 2 (ADC_COR.DIFFx = 0), differential gain = 2 (ADC_COR.DIFFx = 1)
3	SE4_DIFF2	Single-ended gain = 4 (ADC_COR.DIFFx = 0), differential gain = 2 (ADC_COR.DIFFx = 1)

### 45.7.17 ADC Channel Offset Register

**Name:** ADC\_COR  
**Offset:** 0x4C  
**Reset:** 0x00000000  
**Property:** Read/Write

This register can only be written if the WPEN bit is cleared in the [ADC Write Protection Mode Register](#).

Bit	31	30	29	28	27	26	25	24
	DIFF15	DIFF14	DIFF13	DIFF12	DIFF11	DIFF10	DIFF9	DIFF8
Access	R/W	R/W	R/W	R/W	R/W	R/W	R/W	R/W
Reset	0	0	0	0	0	0	0	0
Bit	23	22	21	20	19	18	17	16
	DIFF7	DIFF6	DIFF5	DIFF4	DIFF3	DIFF2	DIFF1	DIFF0
Access	R/W	R/W	R/W	R/W	R/W	R/W	R/W	R/W
Reset	0	0	0	0	0	0	0	0
Bit	15	14	13	12	11	10	9	8
	OFF15	OFF14	OFF13	OFF12	OFF11	OFF10	OFF9	OFF8
Access	R/W	R/W	R/W	R/W	R/W	R/W	R/W	R/W
Reset	0	0	0	0	0	0	0	0
Bit	7	6	5	4	3	2	1	0
	OFF7	OFF6	OFF5	OFF4	OFF3	OFF2	OFF1	OFF0
Access	R/W	R/W	R/W	R/W	R/W	R/W	R/W	R/W
Reset	0	0	0	0	0	0	0	0

#### Bits 16, 17, 18, 19, 20, 21, 22, 23, 24, 25, 26, 27, 28, 29, 30, 31 – DIFFx Differential Inputs for Channel x

Value	Description
0	Corresponding channel is set in Single-ended mode.
1	Corresponding channel is set in Differential mode.

#### Bits 0, 1, 2, 3, 4, 5, 6, 7, 8, 9, 10, 11, 12, 13, 14, 15 – OFFx Offset for Channel x

Value	Description
0	No offset
1	Centers the analog signal on as described in the figure for analog input voltage range — <a href="#">Figure 45-7</a> . The offset applied is $AD\_DAC\_VREFIN/(2*G)$ where G is the gain value given in AGC_CGR register.



### 45.7.18 ADC Channel Data Register

**Name:** ADC\_CDRx  
**Offset:** 0x50 + x\*0x04 [x=0..15]  
**Reset:** 0x00000000  
**Property:** Read/Write

Bit	31	30	29	28	27	26	25	24
Access								
Reset								
Bit	23	22	21	20	19	18	17	16
Access								
Reset								
Bit	15	14	13	12	11	10	9	8
Access	DATA[15:8]							
Reset	R/W	R/W	R/W	R/W	R/W	R/W	R/W	R/W
Reset	0	0	0	0	0	0	0	0
Bit	7	6	5	4	3	2	1	0
Access	DATA[7:0]							
Reset	R/W	R/W	R/W	R/W	R/W	R/W	R/W	R/W
Reset	0	0	0	0	0	0	0	0

#### Bits 167:0 – DATA[167:0] Converted Data

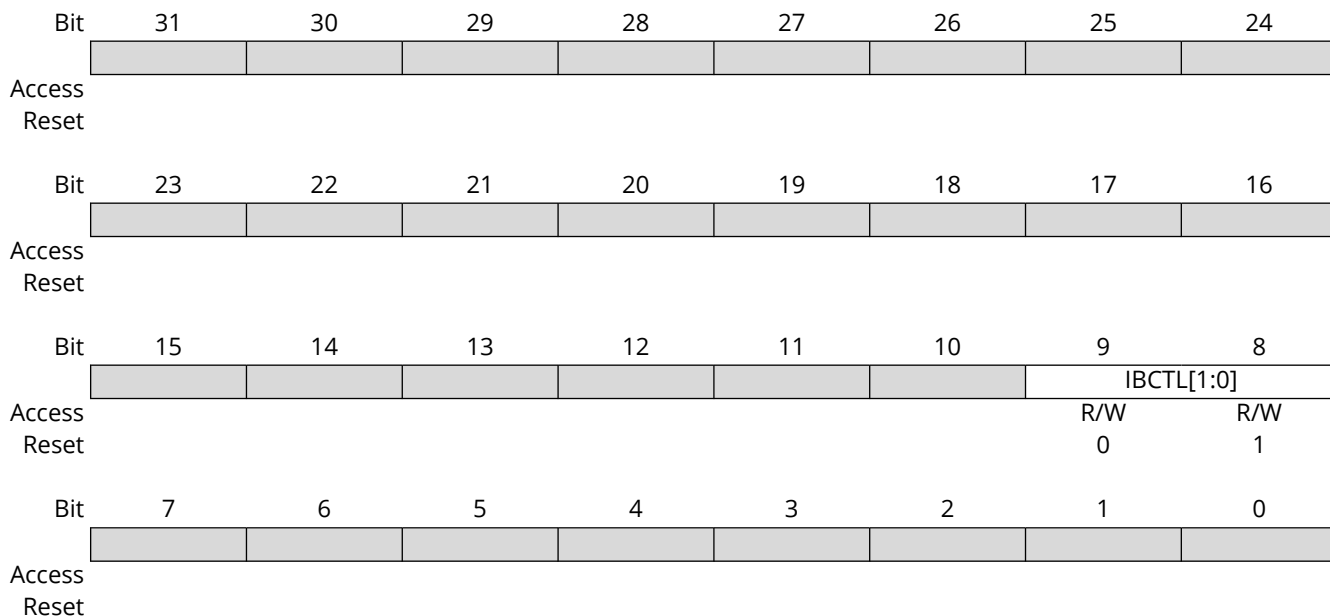
The analog-to-digital conversion data is placed into this register at the end of a conversion and remains until a new conversion is completed. ADC\_CDRx is only loaded if the corresponding analog channel is enabled.

### 45.7.19 ADC Analog Control Register

**Name:** ADC\_ACR  
**Offset:** 0x94  
**Reset:** 0x00000100  
**Property:** Read/Write

This register can only be written if the WPEN bit is cleared in the [ADC Write Protection Mode Register](#).

By default, bits 12 and 13 are set to 1 and 0, respectively, and must not be modified.



#### Bits 9:8 – IBCTL[1:0] ADC Bias Current Control

Adapts performance versus power consumption. Refer to the “Electrical Characteristics” section for further details.

## 45.7.20 ADC Correction Values Register

**Name:** ADC\_CVR  
**Offset:** 0xD4  
**Reset:** 0x00000000  
**Property:** Read/Write

This register can only be written if the WPEN bit is cleared in the [ADC Write Protection Mode Register](#).

Bit	31	30	29	28	27	26	25	24
	GAINCORR[15:8]							
Access	R/W	R/W	R/W	R/W	R/W	R/W	R/W	R/W
Reset	0	0	0	0	0	0	0	0
Bit	23	22	21	20	19	18	17	16
	GAINCORR[7:0]							
Access	R/W	R/W	R/W	R/W	R/W	R/W	R/W	R/W
Reset	0	0	0	0	0	0	0	0
Bit	15	14	13	12	11	10	9	8
	OFFSETCORR[15:8]							
Access	R/W	R/W	R/W	R/W	R/W	R/W	R/W	R/W
Reset	0	0	0	0	0	0	0	0
Bit	7	6	5	4	3	2	1	0
	OFFSETCORR[7:0]							
Access	R/W	R/W	R/W	R/W	R/W	R/W	R/W	R/W
Reset	0	0	0	0	0	0	0	0

### Bits 31:16 – GAINCORR[15:0] Gain Correction

Gain correction to apply on converted data. Only bits 0 to 15 are relevant (other bits are ignored and read as 0).

### Bits 15:0 – OFFSETCORR[15:0] Offset Correction

Offset correction to apply on converted data. The offset is signed (2's complement), only bits 0 to 11 are relevant (other bits are ignored and read as 0).

### 45.7.21 ADC Channel Error Correction Register

**Name:** ADC\_CECR  
**Offset:** 0xD8  
**Reset:** 0x00000000  
**Property:** Read/Write

This register can only be written if the WPEN bit is cleared in the [ADC Write Protection Mode Register](#).

Bit	31	30	29	28	27	26	25	24
Access								
Reset								
Bit	23	22	21	20	19	18	17	16
Access								
Reset								
Bit	15	14	13	12	11	10	9	8
Access	ECORR15	ECORR14	ECORR13	ECORR12	ECORR11	ECORR10	ECORR9	ECORR8
Reset	R/W	R/W	R/W	R/W	R/W	R/W	R/W	R/W
Reset	0	0	0	0	0	0	0	0
Bit	7	6	5	4	3	2	1	0
Access	ECORR7	ECORR6	ECORR5	ECORR4	ECORR3	ECORR2	ECORR1	ECORR0
Reset	R/W	R/W	R/W	R/W	R/W	R/W	R/W	R/W
Reset	0	0	0	0	0	0	0	0

#### Bits 0, 1, 2, 3, 4, 5, 6, 7, 8, 9, 10, 11, 12, 13, 14, 15 – ECORRx Error Correction Enable for channel x

Value	Description
0	Automatic error correction is disabled for channel x.
1	Automatic error correction is enabled for channel x.

## 45.7.22 ADC Write Protection Mode Register

**Name:** ADC\_WPMR  
**Offset:** 0xE4  
**Reset:** 0x00000000  
**Property:** Read/Write

Bit	31	30	29	28	27	26	25	24
	WPKEY[23:16]							
Access	W	W	W	W	W	W	W	W
Reset	0	0	0	0	0	0	0	0
Bit	23	22	21	20	19	18	17	16
	WPKEY[15:8]							
Access	W	W	W	W	W	W	W	W
Reset	0	0	0	0	0	0	0	0
Bit	15	14	13	12	11	10	9	8
	WPKEY[7:0]							
Access	W	W	W	W	W	W	W	W
Reset	0	0	0	0	0	0	0	0
Bit	7	6	5	4	3	2	1	0
						WPCTEN	WPITEN	WPEN
Access						R/W	R/W	R/W
Reset						0	0	0

### Bits 31:8 – WPKEY[23:0] Write Protection Key

Value	Name	Description
0x414443	PASSWD	Writing any other value in this field aborts the write operation of the WPEN bit. Always reads as 0

### Bit 2 – WPCTEN Write Protection Control Enable

See [45.6.15. Register Write Protection](#) for the list of registers that can be protected.

Value	Description
0	Disables the write protection on control registers if WPKEY corresponds to 0x414443 (“ADC” in ASCII).
1	Enables the write protection on control registers if WPKEY corresponds to 0x414443 (“ADC” in ASCII).

### Bit 1 – WPITEN Write Protection Interrupt Enable

See [45.6.15. Register Write Protection](#) for the list of registers that can be protected.

Value	Description
0	Disables the write protection on interrupt registers if WPKEY corresponds to 0x414443 (“ADC” in ASCII).
1	Enables the write protection on interrupt registers if WPKEY corresponds to 0x414443 (“ADC” in ASCII).

### Bit 0 – WPEN Write Protection Enable

See [45.6.15. Register Write Protection](#) for the list of write-protected registers.

Value	Description
0	Disables the write protection if WPKEY value corresponds to 0x414443 (“ADC” in ASCII).
1	Enables the write protection if WPKEY value corresponds to 0x414443 (“ADC” in ASCII).

### 45.7.23 ADC Write Protection Status Register

**Name:** ADC\_WPSR  
**Offset:** 0xE8  
**Reset:** 0x00000000  
**Property:** Read-only

Bit	31	30	29	28	27	26	25	24
Access								
Reset								
Bit	23	22	21	20	19	18	17	16
	WPVSR[15:8]							
Access	R	R	R	R	R	R	R	R
Reset	0	0	0	0	0	0	0	0
Bit	15	14	13	12	11	10	9	8
	WPVSR[7:0]							
Access	R	R	R	R	R	R	R	R
Reset	0	0	0	0	0	0	0	0
Bit	7	6	5	4	3	2	1	0
								WPVS
Access								R
Reset								0

#### Bits 23:8 – WPVSR[15:0] Write Protection Violation Source

When WPVS = 1, WPVSR indicates the register address offset at which a write access has been attempted.

#### Bit 0 – WPVS Write Protection Violation Status

Value	Description
0	No write protection violation has occurred since the last read of ADC_WPSR.
1	A write protection violation has occurred since the last read of ADC_WPSR. If this violation is an unauthorized attempt to write a protected register, the associated violation is reported into field WPVSR.

## 46. Digital-to-Analog Converter Controller (DACC)

### 46.1 Description

The Digital-to-Analog Converter Controller (DACC) provides up to 3 analog outputs, making it possible for the digital-to-analog conversion to drive up to 3 independent analog lines.

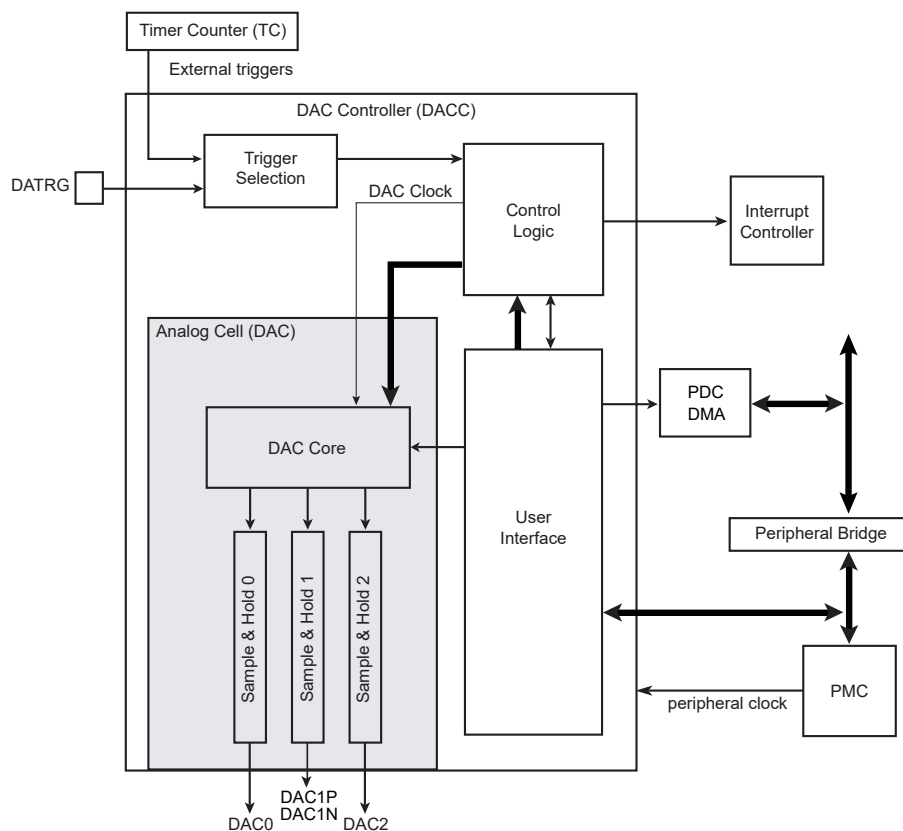
The DACC supports 12-bit resolution. Data to be converted are sent in a common register for all channels. External triggers or Free-running mode are configurable.

### 46.2 Embedded Characteristics

- Up to three independent Analog Outputs
- 12-bit Resolution
- Individual Enable and Disable of each Analog Channel
- Hardware Trigger
  - External Trigger Pins
- DMA Support
- Internal FIFO
- Register Write Protection

### 46.3 Block Diagram

Figure 46-1. DACC Block Diagram



## 46.4 Signal Description

Table 46-1. DACC Signal Description

Pin Name	Description
DAC0	DAC channel 0
DAC1P	DAC channel 1- positive part
DAC1N	DAC channel 1- negative part
DAC2	DAC channel 2
DATRG	DAC external trigger

## 46.5 Product Dependencies

### 46.5.1 Power Management

The user must first enable the DAC Controller Clock in the Power Management Controller (PMC) before using the DACC.

The DACC becomes active as soon as a conversion is requested and at least one channel is enabled. The DACC is automatically deactivated when no channels are enabled.

For power-saving options, see [Section 7.6 "DACC Timings"](#).

### 46.5.2 Interrupt Sources

The DACC interrupt line is connected to one of the internal sources of the interrupt controller. Using the DACC interrupt requires the interrupt controller to be programmed first.

### 46.5.3 Conversion Performances

For performance and electrical characteristics of the DACC, see the product DC Characteristics section of the datasheet.

### 46.5.4 I/O lines

Analog PIOs are selected by enabling the DAC channels.

**Note:** The corresponding PIO are configured in output with internal pull up/down deactivated.

## 46.6 Functional Description

### 46.6.1 Digital-to-Analog Conversion

The DACC uses the peripheral clock divided by two to perform conversions. This clock is named DAC clock. Once a conversion starts, the DACC takes 25 clock periods to provide the analog result on the selected analog output.

### 46.6.2 Conversion Results

When a conversion is completed, the resulting analog value is available at the selected DACC channel output and the EOC bit in the [DACC Interrupt Status Register \(DACC\\_ISR\)](#) is set.

Reading the DACC\_ISR clears the EOC bit.

### 46.6.3 Conversion Triggers

In Free-running mode, conversion starts as soon as at least one channel is enabled and data is written in the [DACC Conversion Data Register \(DACC\\_CDR\)](#). After 25 DAC clock periods, the converted data is available at the corresponding analog output as stated above.

In External Trigger mode, the conversion waits for a rising edge on the selected trigger to begin.





**Attention:** Disabling the External Trigger mode automatically sets the DACC in Free-running mode.

#### 46.6.4 Conversion FIFO

A four half-word FIFO is used to handle the data to be converted.

If the TXRDY flag in the DACC\_ISR is active, the DACC is ready to accept conversion requests by writing data into the DATA field in the DACC\_CDR. Data which cannot be converted immediately is stored in the DACC FIFO.

When the FIFO is full or when the DACC is not ready to accept conversion requests, the TXRDY flag is inactive.

The WORD field of the [DACC Mode Register](#) (DACC\_MR) allows the user to switch between half-word and word transfers in order to write into the FIFO.

In Half-word Transfer mode, only the 16 LSBs of DACC\_CDR data are processed. Bits DATA[15:0] are stored in the FIFO. Bits DATA[11:0] are used as data. Bits DATA[15:12] are used for channel selection if the TAG field is set in DACC\_MR.

In Word Transfer mode, each time DACC\_CDR is written, two data items are stored in the FIFO. The first data item sampled for conversion is DATA[15:0] and the second is DATA[31:16]. Bits DATA[15:12] and DATA[31:28] are used for channel selection if the TAG field is set in DACC\_MR.



Writing in the DACC\_CDR while the TXRDY flag is inactive will corrupt FIFO data.

#### 46.6.5 Channel Selection

There are two ways to select the channel to perform data conversion.

- By default, the USER\_SEL field of the DACC\_MR is used. Data requests are converted to the channel selected with the USER\_SEL field.
- Alternatively, the Tag mode can be used by setting the TAG field of the DACC\_MR to 1. In this mode, the two bits, DACC\_CDR[13:12], which are otherwise unused, are utilised to select the channel in the same way as the USER\_SEL field. Finally, if the WORD field is set, the two bits, DACC\_CDR[13:12] are used for channel selection of the first data and the two bits, DACC\_CDR[29:28] for channel selection of the second data.

#### 46.6.6 DACC Timings

The DACC startup time must be defined by the user in the STARTUP field of the DACC\_MR.

A Maximum Speed mode is available by setting the MAXS bit in the DACC\_MR. In this mode, the DACC no longer waits to sample the end-of-cycle signal coming from the DACC block to start the next conversion. An internal counter is used instead, thus gaining two peripheral clock periods between each consecutive conversion.



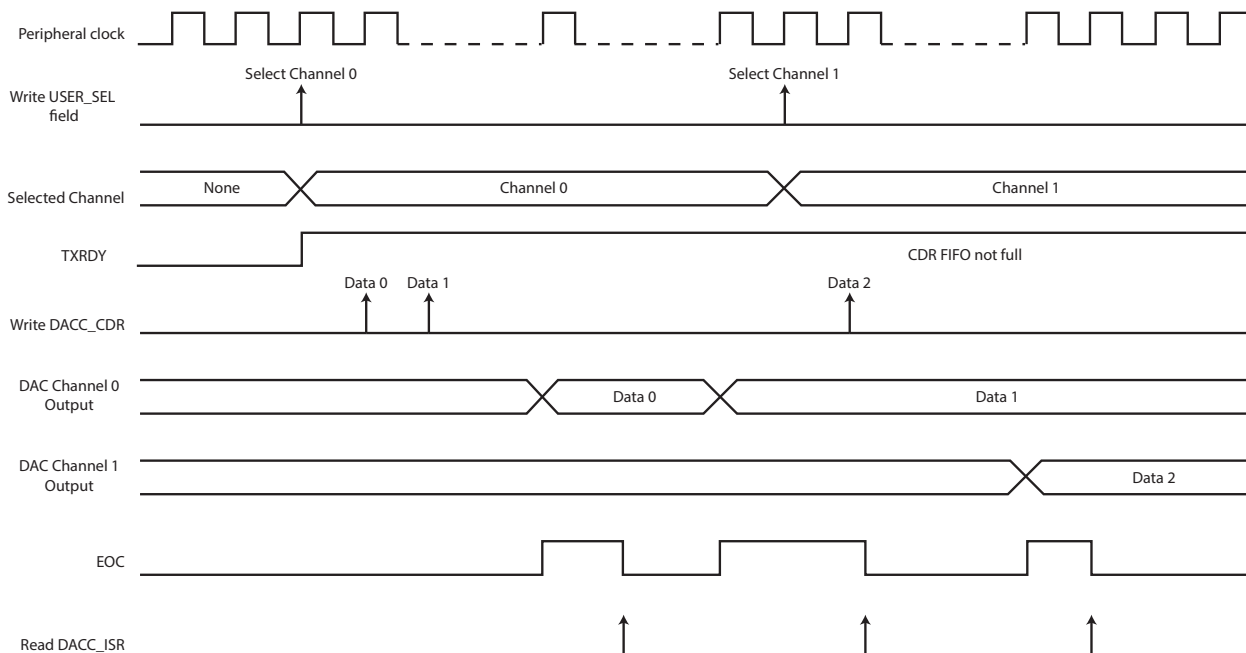
**Attention:** If the Maximum Speed mode is used, the EOC interrupt of the DACC\_IER should not be used because it is two peripheral clock periods late.

The accuracy of the analog voltage resulting from the data conversion process cannot be guaranteed by the DAC internal capacitor due to leakage. To ensure accuracy, the channel is refreshed on a regular basis (DACC\_MR.ONE must be written to 1). A value is correctly refreshed if the correct sampling period is selected (see DACC electrical characteristics) and the software or DMA is able to sustain writing to DACC\_CDR at the rate imposed by the trigger period.

DC values can be generated without software intervention other than initialization, if an external capacitor is connected to the output and sized according to refresh period, resistive load and ripple accuracy is required for output voltage.

The output voltage refresh is performed every  $1024 * (1/f_{DAC})$ .

**Figure 46-2. Conversion Sequence**



#### 46.6.7 Register Write Protection

To prevent any single software error from corrupting DACC behavior, certain registers in the address space can be write-protected by setting the WPEN bit in the [DACC Write Protection Mode Register](#) (DACC\_WPMR).

If a write access to a write-protected register is detected, the WPVS flag in the [DACC Write Protection Status Register](#) (DACC\_WPSR) is set and the field WPVSRC indicates the register in which the write access has been attempted.

The WPVS bit is automatically cleared after reading the DACC\_WPSR.

The following registers can be write-protected:

- [DACC Mode Register](#)
- [DACC Channel Enable Register](#)
- [DACC Channel Disable Register](#)
- [DACC Analog Current Register](#)

## 46.7 Register Summary

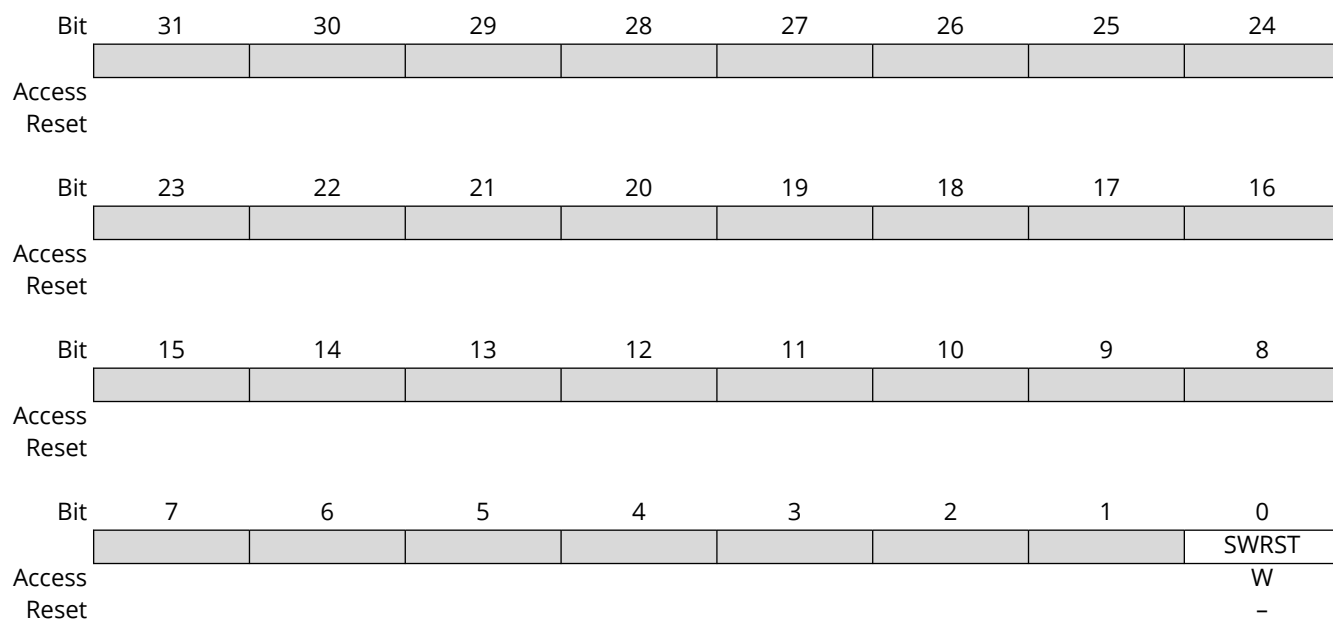
Offset	Name	Bit Pos.	7	6	5	4	3	2	1	0	
0x00	DACC_CR	7:0								SWRST	
		15:8									
		23:16									
		31:24									
0x04	DACC_MR	7:0				WORD		TRGSEL[2:0]		TRGEN	
		15:8								ONE	
		23:16		CLKDIV	MAXS	TAG				USER_SEL[1:0]	
		31:24						STARTUP[5:0]			
0x08 ... 0x0F	Reserved										
0x10	DACC_CHER	7:0						CH2	CH1	CH0	
		15:8									
		23:16									
		31:24									
0x14	DACC_CHDR	7:0						CH2	CH1	CH0	
		15:8									
		23:16									
		31:24									
0x18	DACC_CHSR	7:0						CH2	CH1	CH0	
		15:8									
		23:16									
		31:24									
0x1C ... 0x1F	Reserved										
0x20	DACC_CDR	7:0	DATA[7:0]								
		15:8	DATA[15:8]								
		23:16	DATA[23:16]								
		31:24	DATA[31:24]								
0x24	DACC_IER	7:0							EOC	TXRDY	
		15:8									
		23:16									
		31:24									
0x28	DACC_IDR	7:0							EOC	TXRDY	
		15:8									
		23:16									
		31:24									
0x2C	DACC_IMR	7:0							EOC	TXRDY	
		15:8									
		23:16									
		31:24									
0x30	DACC_ISR	7:0							EOC	TXRDY	
		15:8									
		23:16									
		31:24									
0x34 ... 0x93	Reserved										
0x94	DACC_ACR	7:0			IBCTLCH2[1:0]		IBCTLCH1[1:0]		IBCTLCH0[1:0]		
		15:8							IBTLDACCORE[1:0]		
		23:16									
		31:24									
0x98 ... 0xE3	Reserved										

.....continued

Offset	Name	Bit Pos.	7	6	5	4	3	2	1	0	
0xE4	DACC_WPMR	7:0								WPEN	
		15:8	WPKEY[7:0]								
		23:16	WPKEY[15:8]								
		31:24	WPKEY[23:16]								
0xE8	DACC_WPSR	7:0								WPVS	
		15:8	WPVSR[7:0]								
		23:16									
		31:24									

### 46.7.1 DACC Control Register

**Name:** DACC\_CR  
**Offset:** 0x00  
**Reset:** -  
**Property:** Write-only



#### Bit 0 - SWRST Software Reset

Value	Description
0	No effect
1	Resets the DACC, simulating a hardware reset

## 46.7.2 DACC Mode Register

**Name:** DACC\_MR  
**Offset:** 0x04  
**Reset:** 0x00000000  
**Property:** Read/Write

This register can only be written if the WPEN bit is cleared in the [DACC Write Protection Mode Register](#).

Bit	31	30	29	28	27	26	25	24
	STARTUP[5:0]							
Access			R/W	R/W	R/W	R/W	R/W	R/W
Reset			0	0	0	0	0	0
Bit	23	22	21	20	19	18	17	16
		CLKDIV	MAXS	TAG			USER_SEL[1:0]	
Access		R/W	R/W	R/W			R/W	R/W
Reset		0	0	0			0	0
Bit	15	14	13	12	11	10	9	8
	ONE							
Access								R/W
Reset								0
Bit	7	6	5	4	3	2	1	0
				WORD	TRGSEL[2:0]			TRGEN
Access				R/W	R/W	R/W	R/W	R/W
Reset				0	0	0	0	0

### Bits 29:24 – STARTUP[5:0] Startup Time Selection

Value	Name	Description
0	0	0 periods of peripheral clock
1	8	8 periods of peripheral clock
2	16	16 periods of peripheral clock
3	24	24 periods of peripheral clock
4	64	64 periods of peripheral clock
5	80	80 periods of peripheral clock
6	96	96 periods of peripheral clock
7	112	112 periods of peripheral clock
8	512	512 periods of peripheral clock
9	576	576 periods of peripheral clock
10	640	640 periods of peripheral clock
11	704	704 periods of peripheral clock
12	768	768 periods of peripheral clock
13	832	832 periods of peripheral clock
14	896	896 periods of peripheral clock
15	960	960 periods of peripheral clock
16	1024	1024 periods of peripheral clock
17	1088	1088 periods of peripheral clock
18	1152	1152 periods of peripheral clock
19	1216	1216 periods of peripheral clock
20	1280	1280 periods of peripheral clock
21	1344	1344 periods of peripheral clock
22	1408	1408 periods of peripheral clock

Value	Name	Description
23	1472	1472 periods of peripheral clock
24	1536	1536 periods of peripheral clock
25	1600	1600 periods of peripheral clock
26	1664	1664 periods of peripheral clock
27	1728	1728 periods of peripheral clock
28	1792	1792 periods of peripheral clock
29	1856	1856 periods of peripheral clock
30	1920	1920 periods of peripheral clock
31	1984	1984 periods of peripheral clock
32	2048	2048 periods of peripheral clock
33	2112	2112 periods of peripheral clock
34	2176	2176 periods of peripheral clock
35	2240	2240 periods of peripheral clock
36	2304	2304 periods of peripheral clock
37	2368	2368 periods of peripheral clock
38	2432	2432 periods of peripheral clock
39	2496	2496 periods of peripheral clock
40	2560	2560 periods of peripheral clock
41	2624	2624 periods of peripheral clock
42	2688	2688 periods of peripheral clock
43	2752	2752 periods of peripheral clock
44	2816	2816 periods of peripheral clock
45	2880	2880 periods of peripheral clock
46	2944	2944 periods of peripheral clock
47	3008	3008 periods of peripheral clock
48	3072	3072 periods of peripheral clock
49	3136	3136 periods of peripheral clock
50	3200	3200 periods of peripheral clock
51	3264	3264 periods of peripheral clock
52	3328	3328 periods of peripheral clock
53	3392	3392 periods of peripheral clock
54	3456	3456 periods of peripheral clock
55	3520	3520 periods of peripheral clock
56	3584	3584 periods of peripheral clock
57	3648	3648 periods of peripheral clock
58	3712	3712 periods of peripheral clock
59	3776	3776 periods of peripheral clock
60	3840	3840 periods of peripheral clock
61	3904	3904 periods of peripheral clock
62	3968	3968 periods of peripheral clock
63	4032	4032 periods of peripheral clock

**Note:** Refer to the DAC electrical characteristics section in the data sheet for start-up time value.

**Bit 22 – CLKDIV** Clock Divider

Value	Name	Description
0	DIV_2	DAC clock is peripheral clock divided by 2
1	ONE	Reserved

**Bit 21 – MAXS** Maximum Speed Mode

Value	Name	Description
0	NORMAL	Normal mode
1	MAXIMUM	Maximum speed mode enabled

**Bit 20 – TAG** Tag Selection Mode

Value	Name	Description
0	DIS	Tag selection mode disabled. Using USER_SEL to select the channel for the conversion.
1	EN	Tag selection mode enabled

**Bits 17:16 – USER\_SEL[1:0]** User Channel Selection

Value	Name	Description
0	CHANNEL0	Channel 0
1	CHANNEL1	Channel 1
2	CHANNEL2	Channel 2

**Bit 8 – ONE** Must Be Set to 1

Bit 8 must always be written to 1 when programming the DACC\_MR. If left at value 0, output of DAC is not maintained.

**Bit 4 – WORD** Word Transfer

Value	Name	Description
0	HALF	Half-word transfer
1	WORD	Word transfer

**Bits 3:1 – TRGSEL[2:0]** Trigger Selection

Value	Name	Description
0	TRGSEL0	External Trigger
1	TRGSEL1	Reserved
2	TRGSEL2	Reserved
3	TRGSEL3	Reserved
4	TRGSEL4	Reserved
5	TRGSEL5	Reserved
6	TRGSEL6	Reserved

**Bit 0 – TRGEN** Trigger Enable

Value	Name	Description
0	DIS	External trigger mode disabled. DACC in free-running mode.
1	EN	External trigger mode enabled.



### 46.7.3 DACC Channel Enable Register

**Name:** DACC\_CHER

**Offset:** 0x10

**Reset:** -

**Property:** Write-only

This register can only be written if the WPEN bit is cleared in the [DACC Write Protection Mode Register](#).

Bit	31	30	29	28	27	26	25	24
Access								
Reset								
Bit	23	22	21	20	19	18	17	16
Access								
Reset								
Bit	15	14	13	12	11	10	9	8
Access								
Reset								
Bit	7	6	5	4	3	2	1	0
Access						CH2	CH1	CH0
Reset						Write-only	Write-only	Write-only
						-	-	-

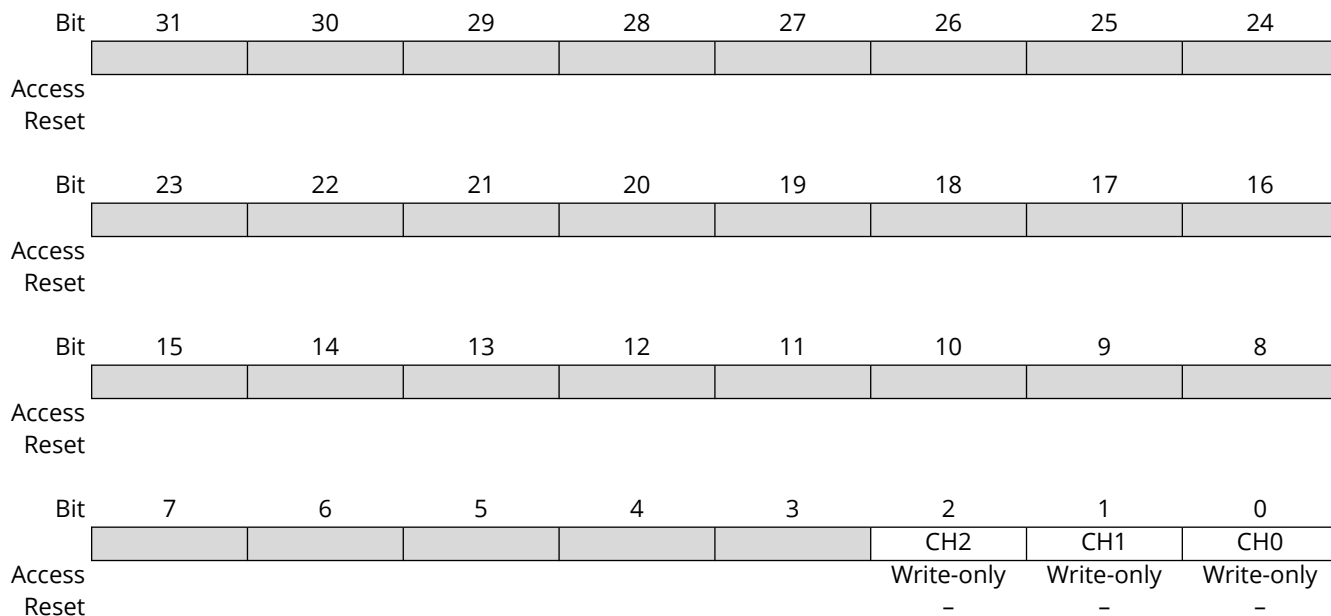
#### Bits 0, 1, 2 - CHx Channel x Enable

Value	Description
0	No effect
1	Enables the corresponding channel

#### 46.7.4 DACC Channel Disable Register

**Name:** DACC\_CHDR  
**Offset:** 0x14  
**Reset:** -  
**Property:** Write-only

This register can only be written if the WPEN bit is cleared in the [DACC Write Protection Mode Register](#).



#### Bits 0, 1, 2 - CHx Channel x Disable

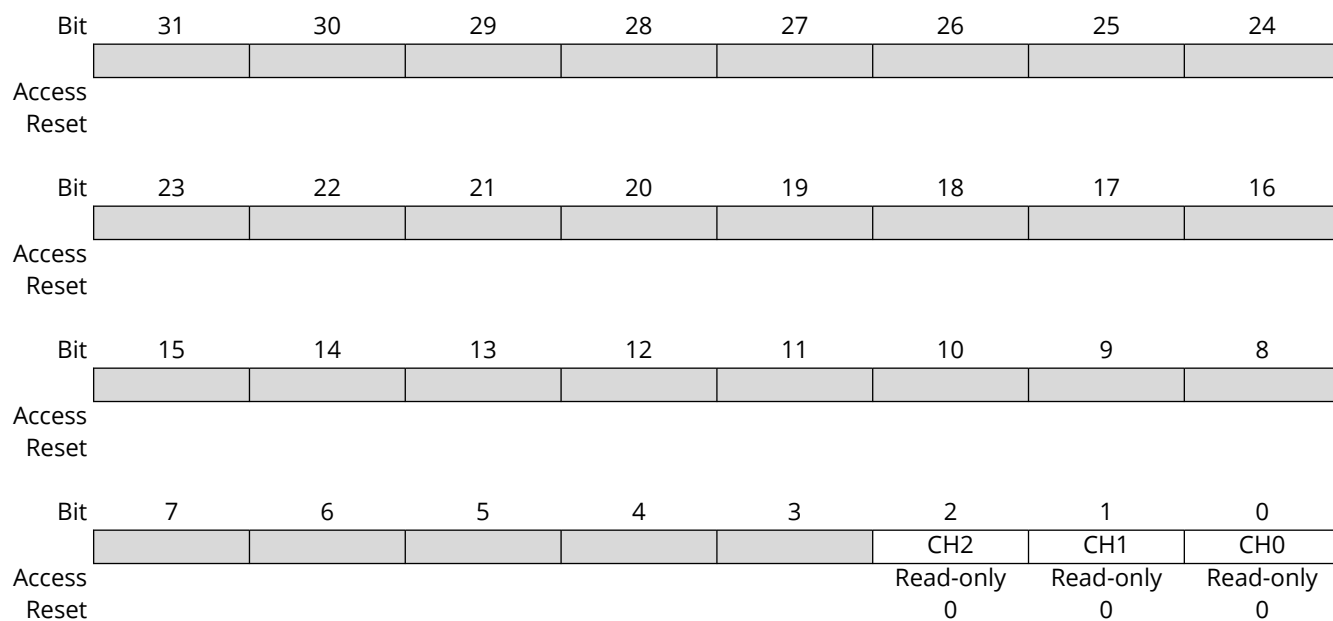


**Attention:** If the corresponding channel is disabled during a conversion, or disabled then re-enabled during a conversion, the associated analog value and the corresponding EOC flags in the DACC\_ISR are unpredictable.

Value	Description
0	No effect
1	Disables the corresponding channel

### 46.7.5 DACC Channel Status Register

**Name:** DACC\_CHSR  
**Offset:** 0x18  
**Reset:** 0x00000000  
**Property:** Read-only



#### Bits 0, 1, 2 - CHx Channel x Status

Value	Description
0	Corresponding channel is disabled
1	Corresponding channel is enabled

### 46.7.6 DACC Conversion Data Register

**Name:** DACC\_CDR  
**Offset:** 0x20  
**Reset:** -  
**Property:** Write-only

Bit	31	30	29	28	27	26	25	24
	DATA[31:24]							
Access	W	W	W	W	W	W	W	W
Reset	-	-	-	-	-	-	-	-
Bit	23	22	21	20	19	18	17	16
	DATA[23:16]							
Access	W	W	W	W	W	W	W	W
Reset	-	-	-	-	-	-	-	-
Bit	15	14	13	12	11	10	9	8
	DATA[15:8]							
Access	W	W	W	W	W	W	W	W
Reset	-	-	-	-	-	-	-	-
Bit	7	6	5	4	3	2	1	0
	DATA[7:0]							
Access	W	W	W	W	W	W	W	W
Reset	-	-	-	-	-	-	-	-

#### Bits 31:0 – DATA[31:0] Data to Convert

When the WORD bit in DACC\_MR is cleared, only DATA[15:0] is used; else DATA[31:0] is used to write two data to be converted.

### 46.7.7 DACC Interrupt Enable Register

**Name:** DACC\_IER  
**Offset:** 0x24  
**Reset:** -  
**Property:** Write-only

Bit	31	30	29	28	27	26	25	24
Access								
Reset								
Bit	23	22	21	20	19	18	17	16
Access								
Reset								
Bit	15	14	13	12	11	10	9	8
Access								
Reset								
Bit	7	6	5	4	3	2	1	0
Access							EOC	TXRDY
Reset							W	W
							-	-

**Bit 1 - EOC** End of Conversion Interrupt Enable

**Bit 0 - TXRDY** Transmit Ready Interrupt Enable

**Notes:** The following configuration values are valid for all listed bit names of this register:

- 0: No effect
- 1: Enables the corresponding interrupt

### 46.7.8 DACC Interrupt Disable Register

**Name:** DACC\_IDR  
**Offset:** 0x28  
**Reset:** -  
**Property:** Write-only

Bit	31	30	29	28	27	26	25	24
Access								
Reset								
Bit	23	22	21	20	19	18	17	16
Access								
Reset								
Bit	15	14	13	12	11	10	9	8
Access								
Reset								
Bit	7	6	5	4	3	2	1	0
Access							EOC	TXRDY
Reset							W	W
							-	-

**Bit 1 - EOC** End of Conversion Interrupt Disable

**Bit 0 - TXRDY** Transmit Ready Interrupt Disable.

**Notes:** The following configuration values are valid for all listed bit names of this register:

- 0: No effect
- 1: Enables the corresponding interrupt

### 46.7.9 DACC Interrupt Mask Register

**Name:** DACC\_IMR  
**Offset:** 0x2C  
**Reset:** 0x00000000  
**Property:** Read-only

Bit	31	30	29	28	27	26	25	24
Access								
Reset								
Bit	23	22	21	20	19	18	17	16
Access								
Reset								
Bit	15	14	13	12	11	10	9	8
Access								
Reset								
Bit	7	6	5	4	3	2	1	0
Access							R	R
Reset							0	0

**Bit 1 - EOC** End of Conversion Interrupt Mask

**Bit 0 - TXRDY** Transmit Ready Interrupt Mask

**Notes:** The following configuration values are valid for all listed bit names of this register:

- 0: Corresponding interrupt is not enabled
- 1: Corresponding interrupt is enabled

### 46.7.10 DACC Interrupt Status Register

**Name:** DACC\_ISR  
**Offset:** 0x30  
**Reset:** 0x00000000  
**Property:** Read-only

Bit	31	30	29	28	27	26	25	24
Access								
Reset								
Bit	23	22	21	20	19	18	17	16
Access								
Reset								
Bit	15	14	13	12	11	10	9	8
Access								
Reset								
Bit	7	6	5	4	3	2	1	0
Access							R	R
Reset							0	0

#### Bit 1 - EOC End of Conversion Interrupt Flag

Value	Description
0	No conversion has been performed since the last DACC_ISR read.
1	At least one conversion has been performed since the last DACC_ISR read.

#### Bit 0 - TXRDY Transmit Ready Interrupt Flag

Value	Description
0	DACC is not ready to accept new conversion requests.
1	DACC is ready to accept new conversion requests.



### 46.7.11 DACC Analog Current Register

**Name:** DACC\_ACR  
**Offset:** 0x94  
**Reset:** 0x0000012A  
**Property:** Read/Write

This register can only be written if the WPEN bit is cleared in the [DACC Write Protection Mode Register](#).

Bit	31	30	29	28	27	26	25	24
Access								
Reset								
Bit	23	22	21	20	19	18	17	16
Access								
Reset								
Bit	15	14	13	12	11	10	9	8
Access							IBCTLDACCORE[1:0]	
Reset							Read/Write	Read/Write
							0	1
Bit	7	6	5	4	3	2	1	0
Access			IBCTLCH2[1:0]		IBCTLCH1[1:0]		IBCTLCH0[1:0]	
Reset			Read/Write	Read/Write	Read/Write	Read/Write	Read/Write	Read/Write
			1	0	1	0	1	0

#### Bits 9:8 – IBCTLDACCORE[1:0] Bias Current Control for DAC Core

Used to modify performance versus power consumption (See the product Electrical Characteristics section for further details.)

#### Bits 5:4 – IBCTLCH2[1:0] Analog Output Current Control

Used to modify the slew rate of the analog output (See the product Electrical Characteristics section for further details.)

#### Bits 0:1, 2:3 – IBCTLCHx Analog Output Current Control

Used to modify the slew rate of the analog output (See the product Electrical Characteristics section for further details.)

## 46.7.12 DACC Write Protection Mode Register

**Name:** DACC\_WPMR  
**Offset:** 0xE4  
**Reset:** 0x00000000  
**Property:** Read/Write

Bit	31	30	29	28	27	26	25	24
	WPKEY[23:16]							
Access	R/W	R/W	R/W	R/W	R/W	R/W	R/W	R/W
Reset	0	0	0	0	0	0	0	0
Bit	23	22	21	20	19	18	17	16
	WPKEY[15:8]							
Access	R/W	R/W	R/W	R/W	R/W	R/W	R/W	R/W
Reset	0	0	0	0	0	0	0	0
Bit	15	14	13	12	11	10	9	8
	WPKEY[7:0]							
Access	R/W	R/W	R/W	R/W	R/W	R/W	R/W	R/W
Reset	0	0	0	0	0	0	0	0
Bit	7	6	5	4	3	2	1	0
								WPEN
Access								R/W
Reset								0

### Bits 31:8 – WPKEY[23:0] Write Protection Key

Value	Name	Description
0x444143	PASSWD	Writing any other value in this field aborts the write operation of the WPEN bit. Always reads as 0.

### Bit 0 – WPEN Write Protection Enable

See [Section 7.7 "Register Write Protection"](#) for the list of registers that can be write-protected.

Value	Description
0	Disables the write protection if WPKEY corresponds to 0x444143 ("DAC" in ASCII).
1	Enables the write protection if WPKEY corresponds to 0x444143 ("DAC" in ASCII).

### 46.7.13 DACC Write Protection Status Register

**Name:** DACC\_WPSR  
**Offset:** 0xE8  
**Reset:** 0x00000000  
**Property:** Read-only

Bit	31	30	29	28	27	26	25	24
Access								
Reset								
Bit	23	22	21	20	19	18	17	16
Access								
Reset								
Bit	15	14	13	12	11	10	9	8
Access	R							
Reset	0							
Bit	7	6	5	4	3	2	1	0
Access								WPVS
Reset								0

#### Bits 15:8 – WPVSRC[7:0] Write Protection Violation Source

When WPVS = 1, WPVSRC indicates the register address offset at which a write access has been attempted.

#### Bit 0 – WPVS Write Protection Violation Status

Value	Description
0	No write protection violation has occurred since the last read of the DACC_WPSR.
1	A write protection violation has occurred since the last read of the DACC_WPSR. If this violation is an unauthorized attempt to write a protected register, the associated violation is reported into field WPVSRC.

## 47. Cyclic Redundancy Check Calculation Unit (CRCCU)

### 47.1 Description

The Cyclic Redundancy Check Calculation Unit (CRCCU) has its own DMA which functions as a Master with the Bus Matrix. Three different polynomials are available: CCITT802.3, CASTAGNOLI, and CCITT16.

The CRCCU is designed to perform data integrity checks of off-/on-chip memories as a background task without CPU intervention.

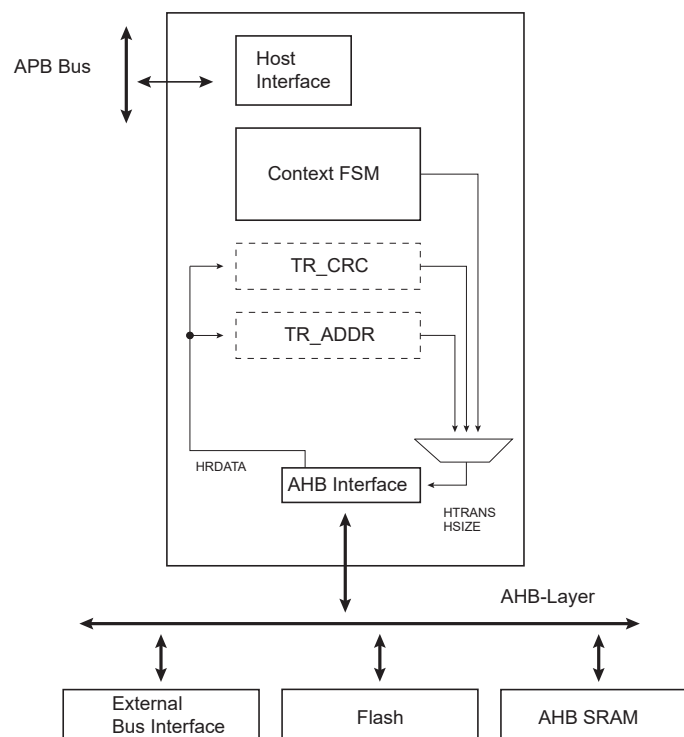
### 47.2 Embedded Characteristics

- Data Integrity Check of Off-/On-Chip Memories
- Background task without CPU Intervention
- Performs Cyclic Redundancy Check (CRC) operation on Programmable Memory Area
- Programmable Bus Burden
- 

**Note:** The CRCCU is designed to verify data integrity of off-/on-chip memories, thus the CRC must be generated and verified by the CRCCU. The CRCCU performs the CRC from LSB to MSB. If the CRC has been performed with the same polynomial by another device, a bit-reverse must be done on each byte before using the CRCCU.

### 47.3 CRCCU Block Diagram

Figure 47-1. Block Diagram



## 47.4 Product Dependencies

### 47.4.1 Power Management

The CRCCU is clocked through the Power Management Controller (PMC), the programmer must first configure the CRCCU in the PMC to enable the CRCCU clock.

### 47.4.2 Interrupt Source

The CRCCU has an interrupt line connected to the Interrupt Controller. Handling the CRCCU interrupt requires programming the Interrupt Controller before configuring the CRCCU.

## 47.5 CRCCU Functional Description

### 47.5.1 CRC Calculation Unit

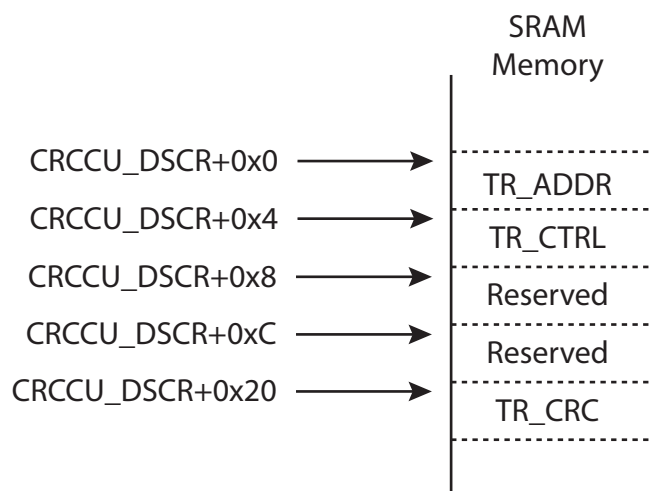
The CRCCU integrates a dedicated Cyclic Redundancy Check (CRC) engine. When configured and activated, this CRC engine performs a checksum computation on a memory area. CRC computation is performed from the LSB to MSB. Three different polynomials are available: CCITT802.3, CASTAGNOLI and CCITT16 (see field description “PTYPE: Primitive Polynomial” in Section 8.10 “CRCCU Mode Register” for details).

### 47.5.2 CRC Calculation Unit Operation

The CRCCU has a DMA controller that supports programmable CRC memory checks. When enabled, the DMA channel reads a programmable amount of data and computes CRC on the fly.

The CRCCU is controlled by two registers, TR\_ADDR and TR\_CTRL, which need to be mapped in the internal SRAM. The addresses of these two registers are pointed to by the CRCCU\_DSCR.

**Figure 47-2.** CRCCU Descriptor Memory Mapping



TR\_ADDR defines the start address of memory area targeted for CRC calculation.

TR\_CTRL defines the buffer transfer size, the transfer width (byte, halfword, word) and the transfer-completed interrupt enable.

To start the CRCCU, set the CRC enable bit (ENABLE) and configure the mode of operation in the CRCCU Mode Register (CRCCU\_MR), then configure the Transfer Control Registers and finally, set the DMA enable bit (DMAEN) in the CRCCU DMA Enable Register (CRCCU\_DMA\_EN).

When the CRCCU is enabled, the CRCCU reads the predefined amount of data (defined in TR\_CTRL) located from TR\_ADDR start address and computes the checksum.

The CRCCU\_SR contains the temporary CRC value.

The BTSIZE field located in the TR\_CTRL register (located in memory), is automatically decremented if its value is different from zero. Once the value of the BTSIZE field is equal to zero, the CRCCU is disabled by hardware. In this case, the relevant CRCCU DMA Status Register bit DMASR is automatically cleared.

If the COMPARE field of the CRCCU\_MR is set to true, the TR\_CRC (Transfer Reference Register) is compared with the last CRC computed. If a mismatch occurs, an error flag is set and an interrupt is raised (if unmasked).

The CRCCU accesses the memory by single access (TRWIDTH size) in order not to limit the bandwidth usage of the system, but the DIVIDER field of the CRCCU Mode Register can be used to lower it by dividing the frequency of the single accesses.

The CRCCU scrolls the defined memory area using ascending addresses.

To compute the CRC for a memory size larger than 256 Kbytes or for non-contiguous memory area, it is possible to re-enable the CRCCU on the new memory area and the CRC will be updated accordingly. Use the RESET field of the CRCCU\_CR to reset the CRCCU Status Register to its default value (0xFFFFFFFF).

## 47.5.2.1 CRCCU Transfer Address Register

**Name:** TR\_ADDR  
**Offset:** CRCCU\_DSCR+0x0  
**Reset:** 0x00000000  
**Property:** Read/Write

Bit	31	30	29	28	27	26	25	24
	ADDR[31:24]							
Access	R/W	R/W	R/W	R/W	R/W	R/W	R/W	R/W
Reset	0	0	0	0	0	0	0	0
Bit	23	22	21	20	19	18	17	16
	ADDR[23:16]							
Access	R/W	R/W	R/W	R/W	R/W	R/W	R/W	R/W
Reset	0	0	0	0	0	0	0	0
Bit	15	14	13	12	11	10	9	8
	ADDR[15:8]							
Access	R/W	R/W	R/W	R/W	R/W	R/W	R/W	R/W
Reset	0	0	0	0	0	0	0	0
Bit	7	6	5	4	3	2	1	0
	ADDR[7:0]							
Access	R/W	R/W	R/W	R/W	R/W	R/W	R/W	R/W
Reset	0	0	0	0	0	0	0	0

**Bits 31:0 – ADDR[31:0] Transfer Address**

## 47.5.2.2 CRCCU Transfer Control Register

**Name:** TR\_CTRL  
**Offset:** CRCCU\_DSCR+0x4  
**Reset:** 0x00000000  
**Property:** Read/Write

Bit	31	30	29	28	27	26	25	24
					IEN	TRWIDTH[1:0]		
Access					R/W	R/W		
Reset					0	0		
Bit	23	22	21	20	19	18	17	16
Access								
Reset								
Bit	15	14	13	12	11	10	9	8
	BTSIZE[15:8]							
Access	R/W	R/W	R/W	R/W	R/W	R/W	R/W	R/W
Reset	0	0	0	0	0	0	0	0
Bit	7	6	5	4	3	2	1	0
	BTSIZE[7:0]							
Access	R/W	R/W	R/W	R/W	R/W	R/W	R/W	R/W
Reset	0	0	0	0	0	0	0	0

**Bit 27 - IEN** Context Done Interrupt Enable (Active Low)

Value	Description
0	Bit DMAISR of CRCCU_DMA_ISR is set at the end of the current descriptor transfer.
1	Bit DMAISR of CRCCU_DMA_ISR remains cleared.

**Bits 25:24 - TRWIDTH[1:0]** Transfer Width Register

Value	Name	Description
0	BYTE	The data size is 8-bit
1	HALFWORD	The data size is 16-bit
2	WORD	The data size is 32-bit

**Bits 15:0 - BTSIZE[15:0]** Buffer Transfer Size



### 47.5.2.3 Transfer Reference Register

**Name:** TR\_CRC  
**Offset:** CRCCU\_DSCR+0x20  
**Reset:** 0x00000000  
**Property:** Read/Write

Bit	31	30	29	28	27	26	25	24
	REFCRC[31:24]							
Access	R/W	R/W	R/W	R/W	R/W	R/W	R/W	R/W
Reset	0	0	0	0	0	0	0	0
Bit	23	22	21	20	19	18	17	16
	REFCRC[23:16]							
Access	R/W	R/W	R/W	R/W	R/W	R/W	R/W	R/W
Reset	0	0	0	0	0	0	0	0
Bit	15	14	13	12	11	10	9	8
	REFCRC[15:8]							
Access	R/W	R/W	R/W	R/W	R/W	R/W	R/W	R/W
Reset	0	0	0	0	0	0	0	0
Bit	7	6	5	4	3	2	1	0
	REFCRC[7:0]							
Access	R/W	R/W	R/W	R/W	R/W	R/W	R/W	R/W
Reset	0	0	0	0	0	0	0	0

#### Bits 31:0 – REFCRC[31:0] Reference CRC

When Compare mode is enabled, the checksum is compared with this field.

## 47.6 Register Summary

Offset	Name	Bit Pos.	7	6	5	4	3	2	1	0	
0x00	CRCCU_DSCR	7:0									
		15:8	DSCR[6:0]								
		23:16	DSCR[14:7]								
		31:24	DSCR[22:15]								
04 ... 07	Reserved										
0x08	CRCCU_DMA_EN	7:0								DMAEN	
		15:8									
		23:16									
		31:24									
0x0C	CRCCU_DMA_DIS	7:0								DMADIS	
		15:8									
		23:16									
		31:24									
0x10	CRCCU_DMA_SR	7:0								DMA SR	
		15:8									
		23:16									
		31:24									
0x14	CRCCU_DMA_IER	7:0								DMA IER	
		15:8									
		23:16									
		31:24									
0x18	CRCCU_DMA_IDR	7:0								DMA IDR	
		15:8									
		23:16									
		31:24									
0x1C	CRCCU_DMA_IMR	7:0								DMA IMR	
		15:8									
		23:16									
		31:24									
0x20	CRCCU_DMA_ISR	7:0								DMA ISR	
		15:8									
		23:16									
		31:24									
24 ... 33	Reserved										
0x34	CRCCU_CR	7:0								RESET	
		15:8									
		23:16									
		31:24									
0x38	CRCCU_MR	7:0	DIVIDER[3:0]			PTYPE[1:0]		COMPARE	ENABLE		
		15:8									
		23:16						BITORDER			
		31:24									
0x3C	CRCCU_SR	7:0	CRC[7:0]								
		15:8	CRC[15:8]								
		23:16	CRC[23:16]								
		31:24	CRC[31:24]								
0x40	CRCCU_IER	7:0								ERRIER	
		15:8									
		23:16									
		31:24									
0x44	CRCCU_IDR	7:0								ERRIDR	
		15:8									
		23:16									
		31:24									

.....continued

Offset	Name	Bit Pos.	7	6	5	4	3	2	1	0
0x48	CRCCU_IMR	7:0								ERRIMR
		15:8								
		23:16								
		31:24								
0x4C	CRCCU_ISR	7:0								ERRISR
		15:8								
		23:16								
		31:24								

### 47.6.1 CRCCU Descriptor Base Address Register

**Name:** CRCCU\_DSCR  
**Offset:** 0x000  
**Reset:** 0x00000000  
**Property:** Read/Write

Bit	31	30	29	28	27	26	25	24
	DSCR[22:15]							
Access	R/W	R/W	R/W	R/W	R/W	R/W	R/W	R/W
Reset	0	0	0	0	0	0	0	0
Bit	23	22	21	20	19	18	17	16
	DSCR[14:7]							
Access	R/W	R/W	R/W	R/W	R/W	R/W	R/W	R/W
Reset	0	0	0	0	0	0	0	0
Bit	15	14	13	12	11	10	9	8
	DSCR[6:0]							
Access	R/W	R/W	R/W	R/W	R/W	R/W	R/W	
Reset	0	0	0	0	0	0	0	
Bit	7	6	5	4	3	2	1	0
Access								
Reset								

**Bits 31:9 - DSCR[22:0]** Descriptor Base Address  
 DSCR needs to be aligned with 512-byte boundaries.

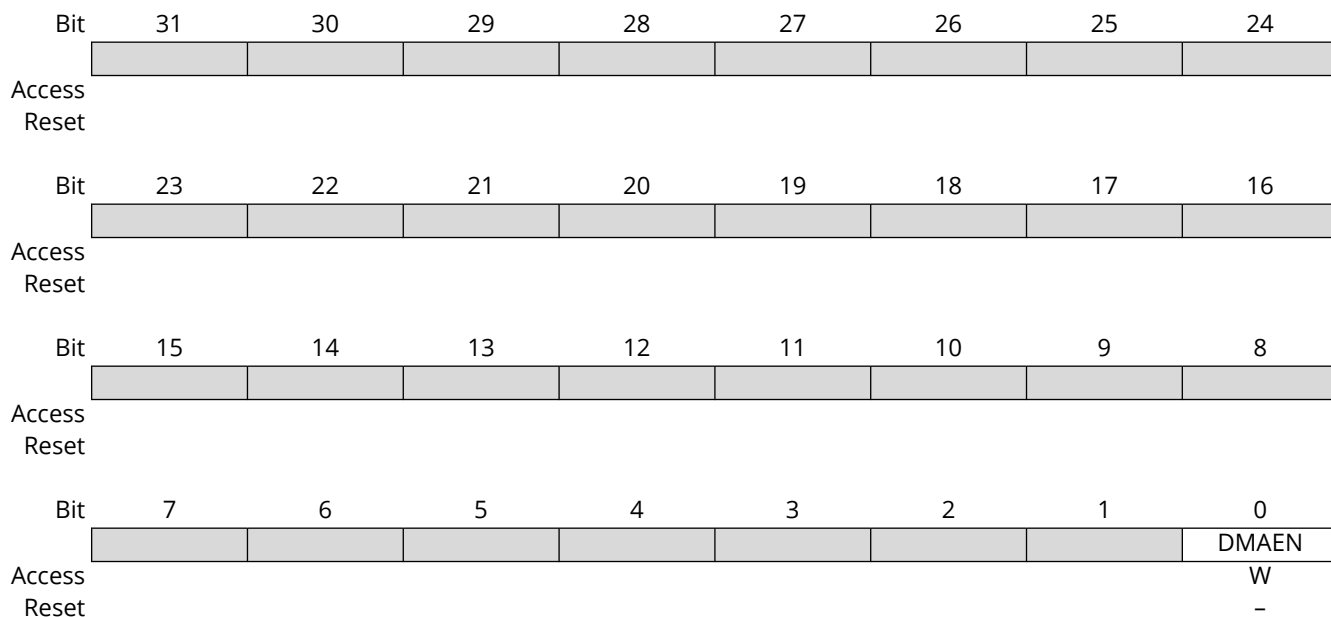
## 47.6.2 CRCCU DMA Enable Register

**Name:** CRCCU\_DMA\_EN

**Offset:** 0x008

**Reset:** -

**Property:** Write-only



### Bit 0 - DMAEN DMA Enable

Value	Description
0	No effect
1	Enable CRCCU DMA channel

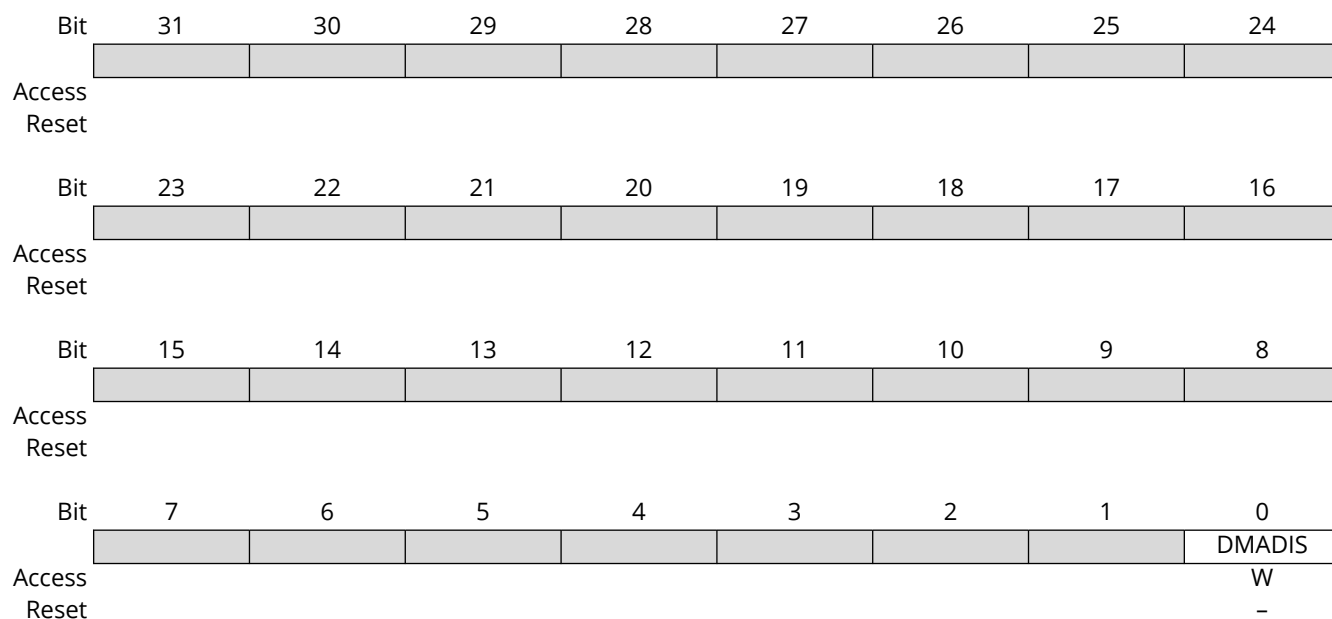
### 47.6.3 CRCCU DMA Disable Register

**Name:** CRCCU\_DMA\_DIS

**Offset:** 0x00C

**Reset:** -

**Property:** Write-only

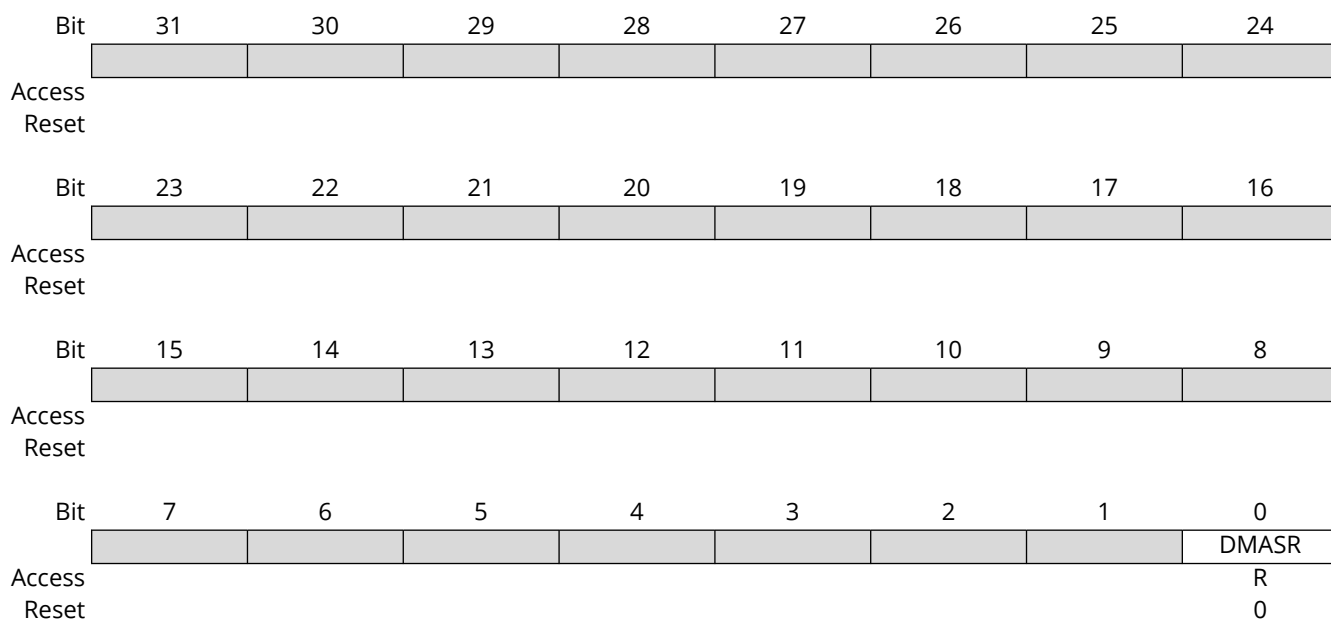


#### Bit 0 - DMADIS DMA Disable

Value	Description
0	No effect
1	Disable CRCCU DMA channel

#### 47.6.4 CRCCU DMA Status Register

**Name:** CRCCU\_DMA\_SR  
**Offset:** 0x010  
**Reset:** 0x00000000  
**Property:** Read-only



##### Bit 0 - DMASR DMA Status

Value	Description
0	DMA channel disabled
1	DMA channel enabled

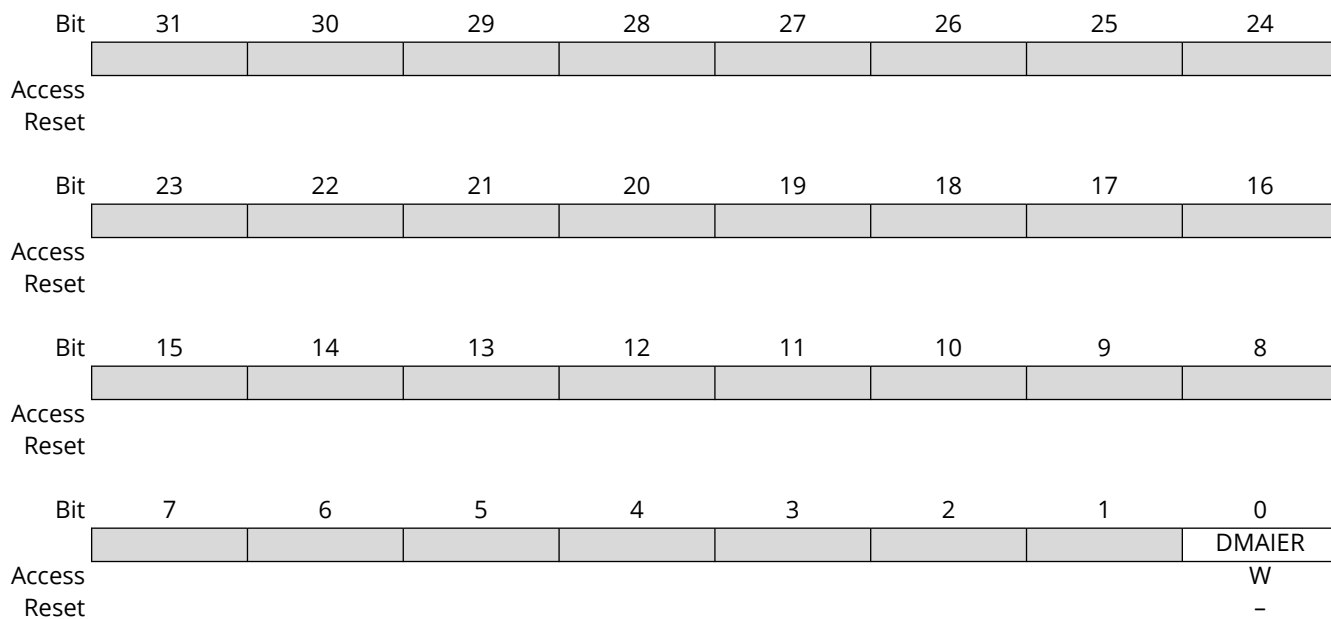
### 47.6.5 CRCCU DMA Interrupt Enable Register

**Name:** CRCCU\_DMA\_IER

**Offset:** 0x014

**Reset:** -

**Property:** Write-only



#### Bit 0 - DMAIER Interrupt Enable

Value	Description
0	No effect
1	Enable interrupt



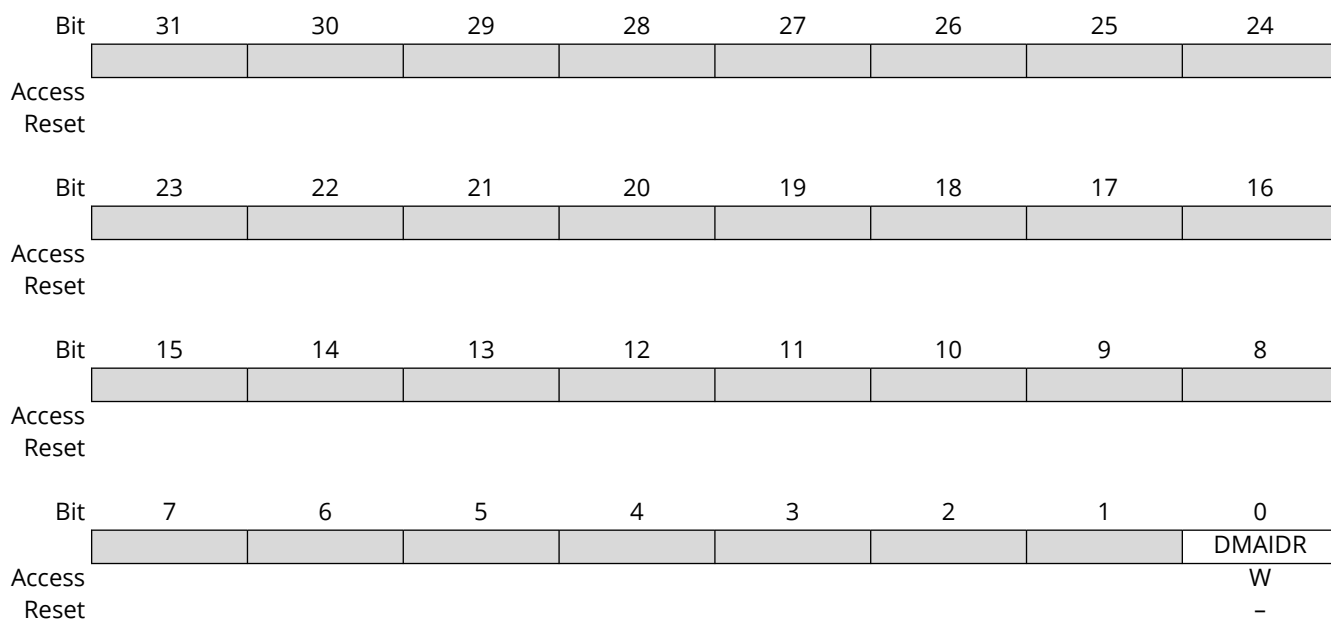
### 47.6.6 CRCCU DMA Interrupt Disable Register

**Name:** CRCCU\_DMA\_IDR

**Offset:** 0x018

**Reset:** -

**Property:** Write-only

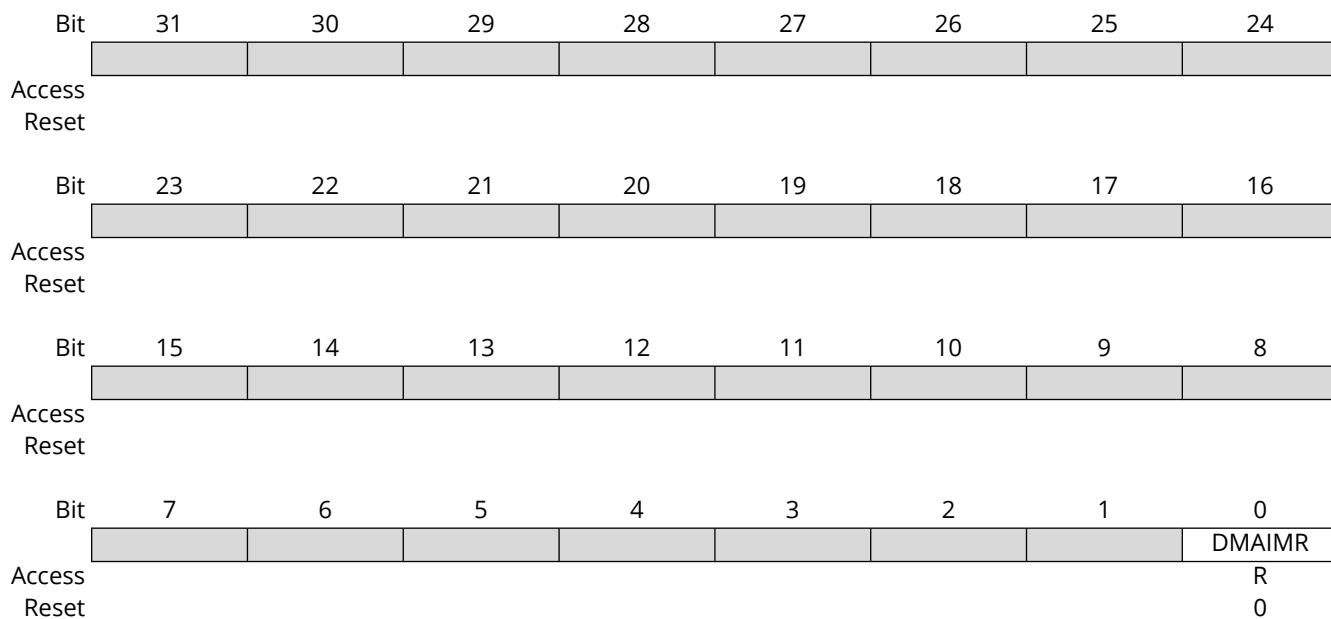


#### Bit 0 - DMAIDR Interrupt Disable

Value	Description
0	No effect
1	Disable interrupt

### 47.6.7 CRCCU DMA Interrupt Mask Register

**Name:** CRCCU\_DMA\_IMR  
**Offset:** 0x001C  
**Reset:** 0x00000000  
**Property:** Read-only

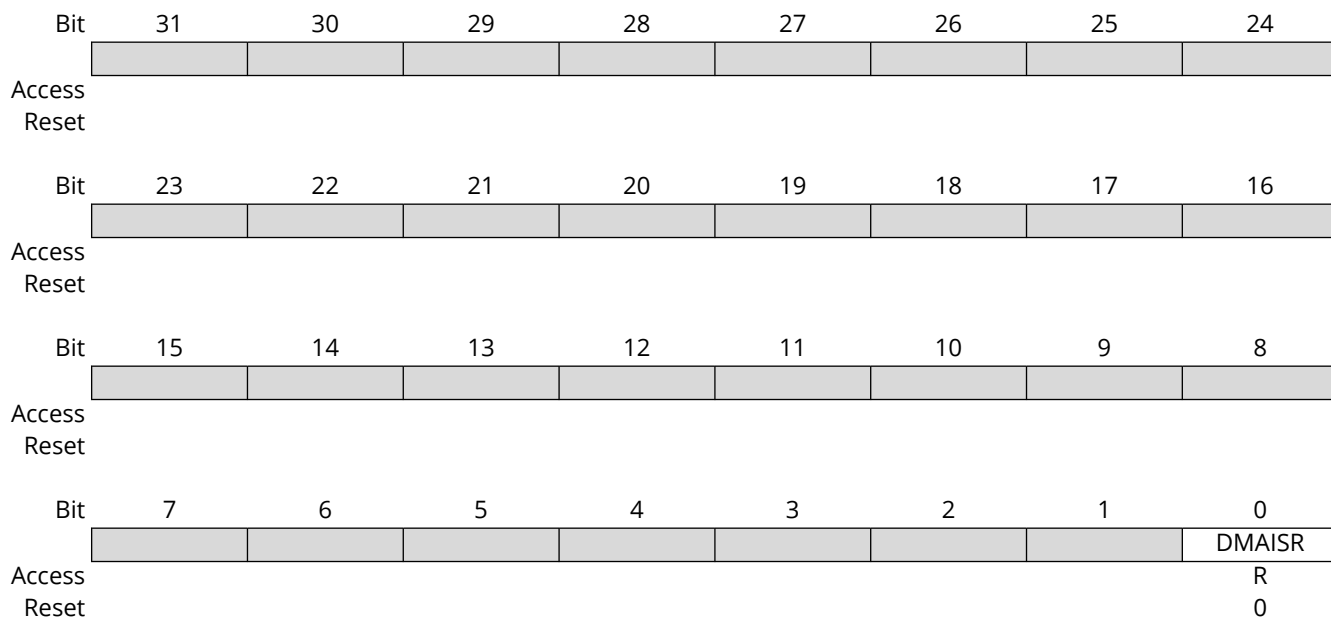


#### Bit 0 - DMAIMR Interrupt Mask

Value	Description
0	Buffer Transfer Completed interrupt disabled
1	Buffer Transfer Completed interrupt enabled

### 47.6.8 CRCCU DMA Interrupt Status Register

**Name:** CRCCU\_DMA\_ISR  
**Offset:** 0x020  
**Reset:** 0x00000000  
**Property:** Read-only

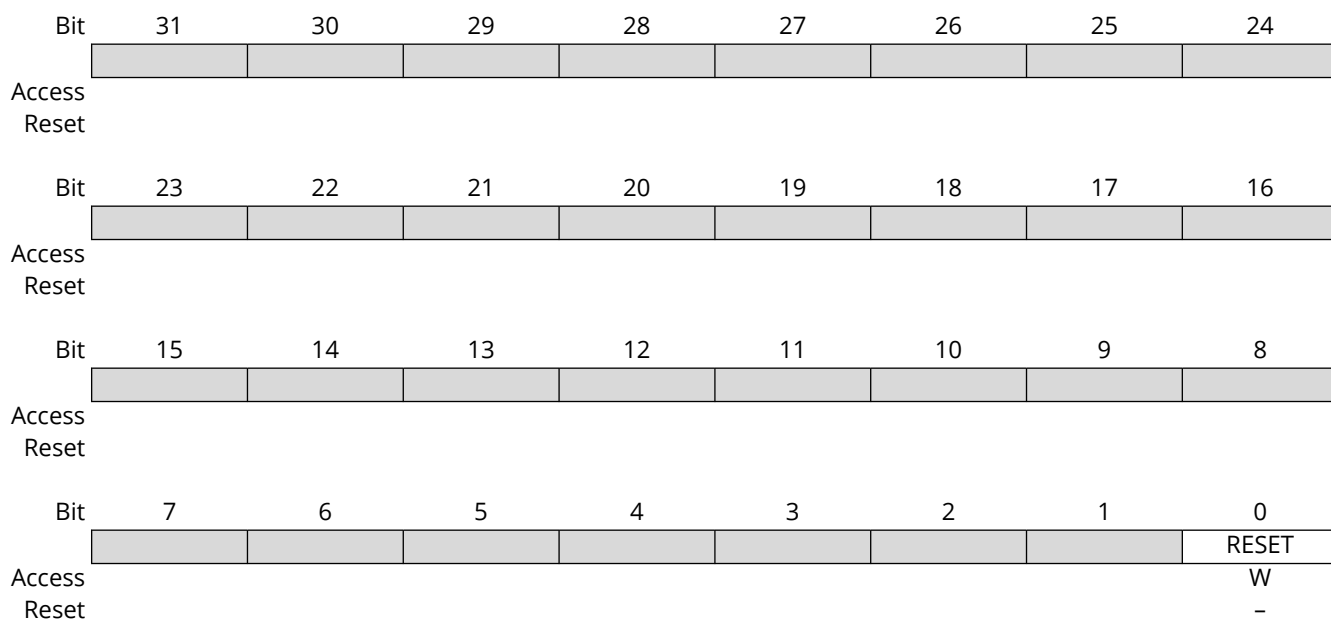


#### Bit 0 - DMAISR Interrupt Status

Value	Description
0	DMA buffer transfer has not yet started or transfer still in progress
1	DMA buffer transfer has terminated. This flag is reset after read.

### 47.6.9 CRCCU Control Register

**Name:** CRCCU\_CR  
**Offset:** 0x034  
**Reset:** -  
**Property:** Write-only



#### Bit 0 - RESET CRC Computation Reset

Value	Description
0	No effect
1	Sets the CRCCU_SR to 0xFFFFFFFF

### 47.6.10 CRCCU Mode Register

**Name:** CRCCU\_MR  
**Offset:** 0x038  
**Reset:** 0x00000000  
**Property:** Read/Write

Bit	31	30	29	28	27	26	25	24
Access								
Reset								
Bit	23	22	21	20	19	18	17	16
Access							BITORDER	
Reset							R/W 0	
Bit	15	14	13	12	11	10	9	8
Access								
Reset								
Bit	7	6	5	4	3	2	1	0
Access	DIVIDER[3:0]			PTYPE[1:0]			COMPARE	ENABLE
Reset	R/W 0	R/W 0	R/W 0	R/W 0	R/W 0	R/W 0	R/W 0	R/W 0

#### Bit 17 – BITORDER Precomputation Bit Swap Operation of the CRC

Value	Name	Description
0	MSBFIRST	CRC computation is performed from the most significant bit to the least significant bit
1	LSBFIRST	CRC computation is performed from the least significant bit to the most significant bit

#### Bits 7:4 – DIVIDER[3:0] Request Divider

CRCCU DMA performs successive transfers. It is possible to reduce the bandwidth drained by the CRCCU DMA by programming the DIVIDER field. The transfer request frequency is divided by  $2^{(DIVIDER+1)}$ .

#### Bits 3:2 – PTYPE[1:0] Primitive Polynomial

Value	Name	Description
0	CCITT8023	Polynom 0x04C11DB7
1	CASTAGNOLI	Polynom 0x1EDC6F41
2	CCITT16	Polynom 0x1021

#### Bit 1 – COMPARE CRC Compare

If set to one, this bit indicates that the CRCCU DMA will compare the CRC computed on the data stream with the value stored in the TR\_CRC reference register. If a mismatch occurs, the ERRISR bit in the CRCCU\_ISR is set.

#### Bit 0 – ENABLE CRC Enable

Always write a 1 to this bit.

## 47.6.11 CRCCU Status Register

**Name:** CRCCU\_SR  
**Offset:** 0x03C  
**Reset:** 0xFFFFFFFF  
**Property:** Read-only

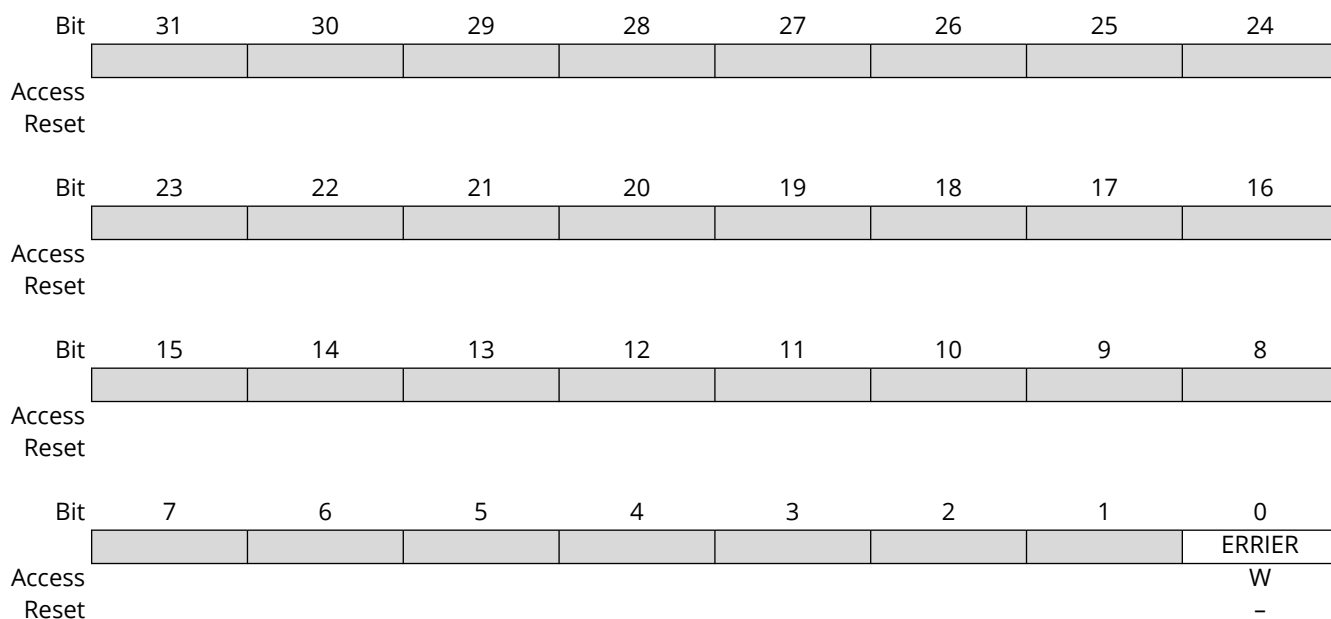
Bit	31	30	29	28	27	26	25	24
	CRC[31:24]							
Access	R	R	R	R	R	R	R	R
Reset	1	1	1	1	1	1	1	1
Bit	23	22	21	20	19	18	17	16
	CRC[23:16]							
Access	R	R	R	R	R	R	R	R
Reset	1	1	1	1	1	1	1	1
Bit	15	14	13	12	11	10	9	8
	CRC[15:8]							
Access	R	R	R	R	R	R	R	R
Reset	1	1	1	1	1	1	1	1
Bit	7	6	5	4	3	2	1	0
	CRC[7:0]							
Access	R	R	R	R	R	R	R	R
Reset	1	1	1	1	1	1	1	1

**Bits 31:0 – CRC[31:0]** Cyclic Redundancy Check Value

This register can not be read if the COMPARE bit in the CRCCU\_MR is set to true.

## 47.6.12 CRCCU Interrupt Enable Register

**Name:** CRCCU\_IER  
**Offset:** 0x040  
**Reset:** -  
**Property:** Write-only

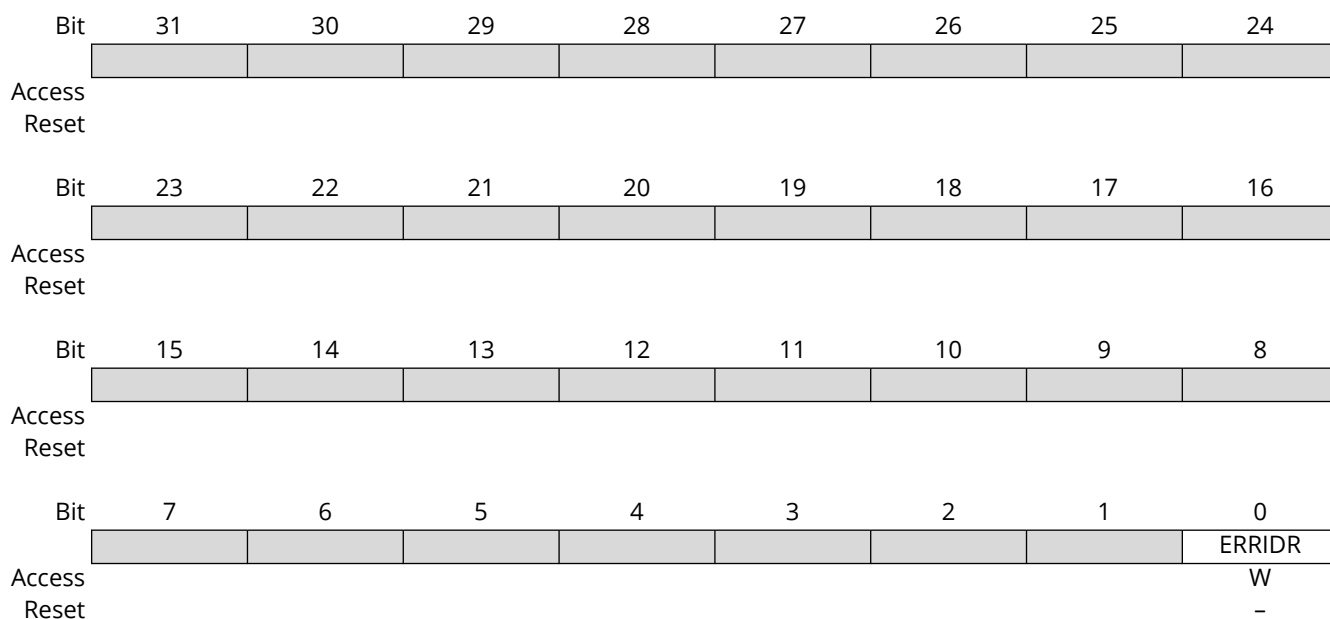


### Bit 0 - **ERRIER** CRC Error Interrupt Enable

Value	Description
0	No effect
1	Enable interrupt

### 47.6.13 CRCCU Interrupt Disable Register

**Name:** CRCCU\_IDR  
**Offset:** 0x044  
**Reset:** -  
**Property:** Write-only



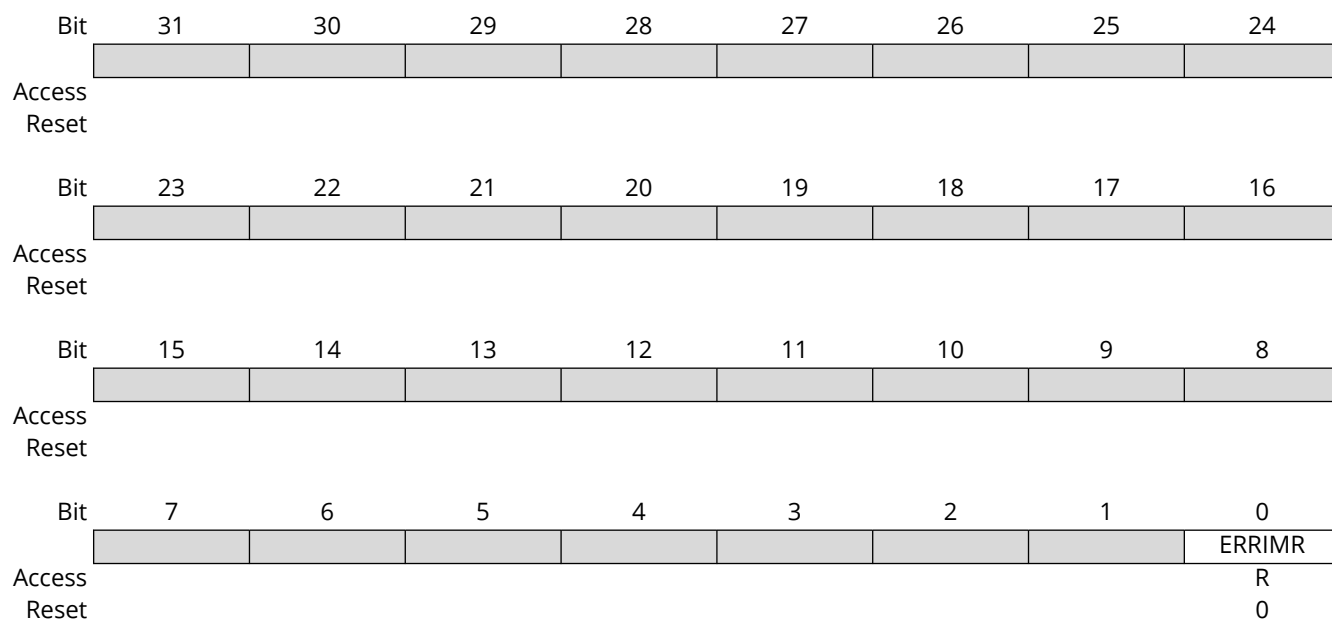
#### Bit 0 - ERRIDR CRC Error Interrupt Disable

Value	Description
0	No effect
1	Disable interrupt



#### 47.6.14 CRCCU Interrupt Mask Register

**Name:** CRCCU\_IMR  
**Offset:** 0x048  
**Reset:** 0x00000000  
**Property:** Read-only

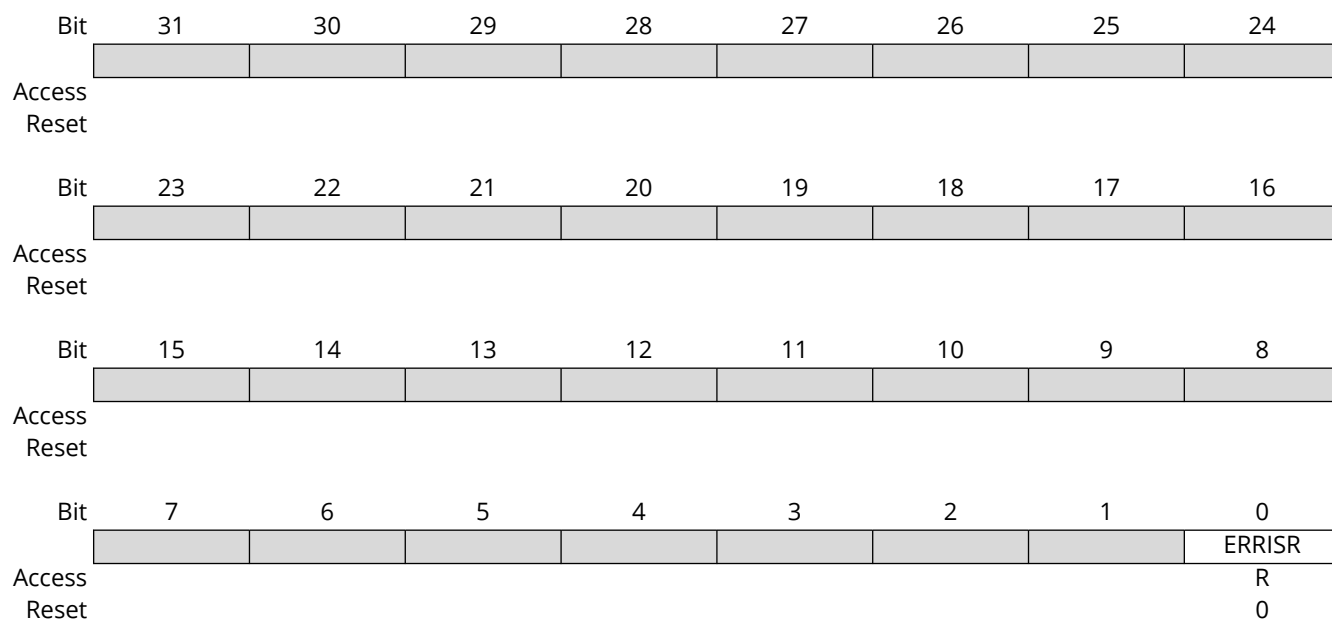


#### Bit 0 - ERRIMR CRC Error Interrupt Mask

Value	Description
0	Interrupt disabled
1	Interrupt enabled

### 47.6.15 CRCCU Interrupt Status Register

**Name:** CRCCU\_ISR  
**Offset:** 0x004C  
**Reset:** 0x00000000  
**Property:** Read-only



#### Bit 0 - ERRISR CRC Error Interrupt Status

Value	Description
0	Interrupt disabled
1	Interrupt enabled

## 48. Parallel Capture Controller (PCC)

### 48.1 Description

The Parallel Capture Controller can be used to interface a CMOS digital image sensor, an ADC, and a DSP synchronous port in Synchronous mode.

### 48.2 Embedded Characteristics

- Can be used to interface a CMOS Digital Image Sensor, an ADC, and so on.
- One clock, up to 16-bit Parallel Data and Two Data Enable on I/O Lines
- Data can be sampled every other time (For Chrominance Sampling Only)
- Supports connection of one Peripheral DMA Controller Channel which offers buffer reception without processor intervention
- Auto-scale feature is available when 10, 12 or 14 bits data size is selected.

### 48.3 Block Diagram

Figure 48-1. Block Diagram

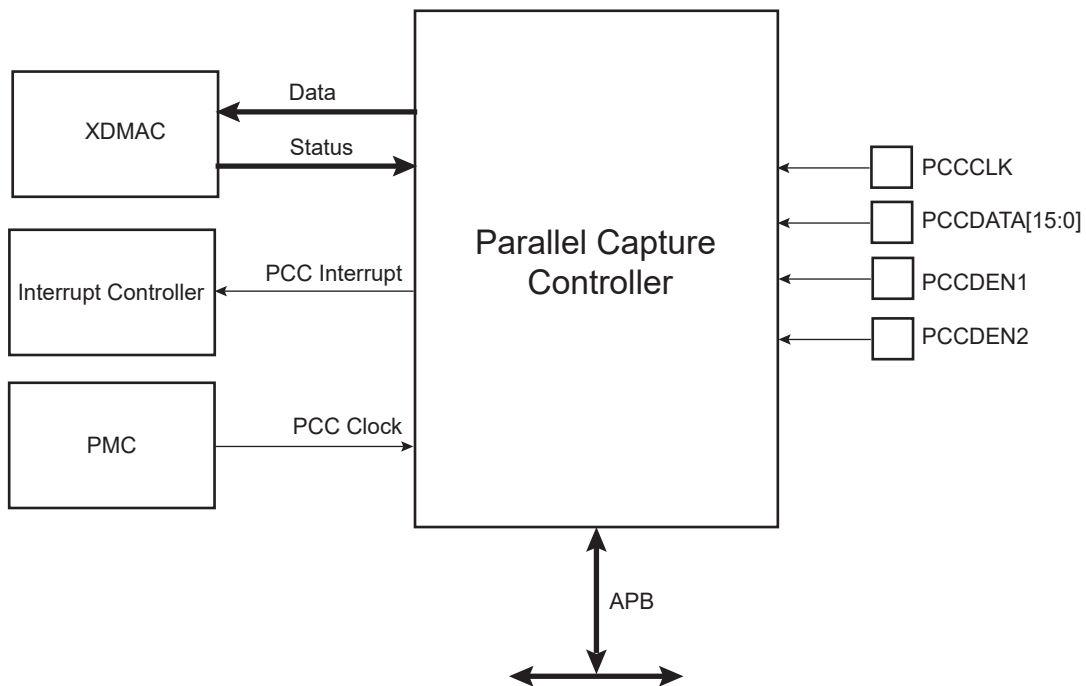


Table 48-1. Signal Description

Signal Name	Signal Description	Signal Type
PCCCLK	Parallel Capture Clock	Input
PCCDATA[15:0]	Parallel Capture Data	Input
PCCDEN1	Parallel Capture Data Enable 1	Input
PCCDEN2	Parallel Capture Data Enable 2	Input

## 48.4 Product Dependencies

### 48.4.1 Power Management

The Power Management Controller (PMC) controls the PCC clock to save power. The programmer must first enable the PCC clock in the PMC before using the PCC.

Writing any of the registers of the user interface does not require the PCC clock to be enabled.

After a hardware reset, the PCC clock is disabled by default.

### 48.4.2 Interrupt Generation

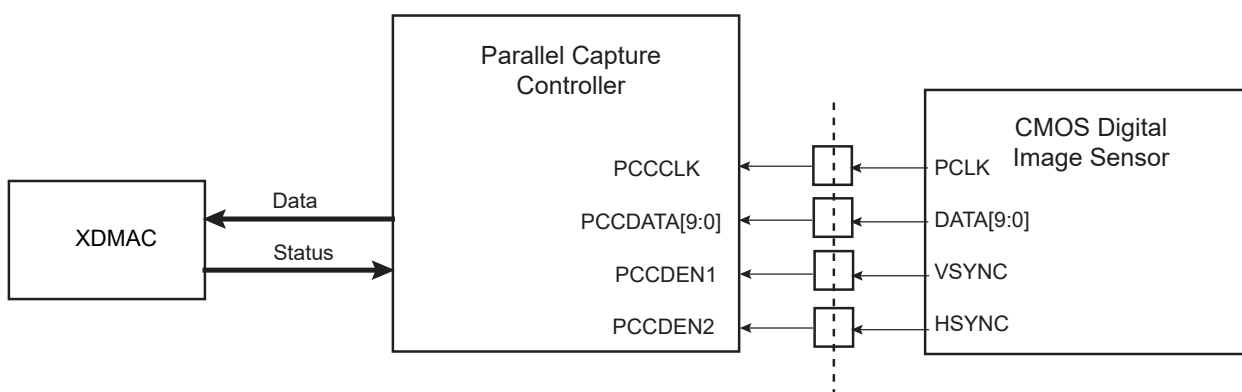
The PCC interrupt line is connected on one of the internal sources of the interrupt controller. Using the PCC interrupt requires the interrupt controller to be programmed first.

## 48.5 Functional Description

For better understanding and to ease reading, the following description uses an example with a CMOS digital image sensor.

The CMOS digital image sensor provides a sensor clock, a 10-bit data synchronous with the sensor clock and two data enables that are also synchronous with the sensor clock.

**Figure 48-2.** Parallel Capture Controller connection with CMOS Digital Image Sensor



The PCC must be configured first and then it can be enabled by writing a one to the PCEN bit in PCC\_MR.

Once enabled, the PCC samples the data at rising edge of the sensor clock and resynchronizes it with the PCC clock domain.

The input data bus size can be programmed using the ISIZE field of the PCC\_MR.

The number of the data which can be read in PCC\_RHR can be programmed using the DSIZE field in PCC\_MR. The PCC samples one or several sensor data according to the DSIZE value.

If the SCALE bit is set and ISIZE  $\neq$  0 in the PCC\_MR, then the sampled data is automatically up-scaled to 16 bits. When the right number of data has been sampled, data is stored in the PCC\_RHR and the DRDY flag is set to one in the PCC\_ISR.

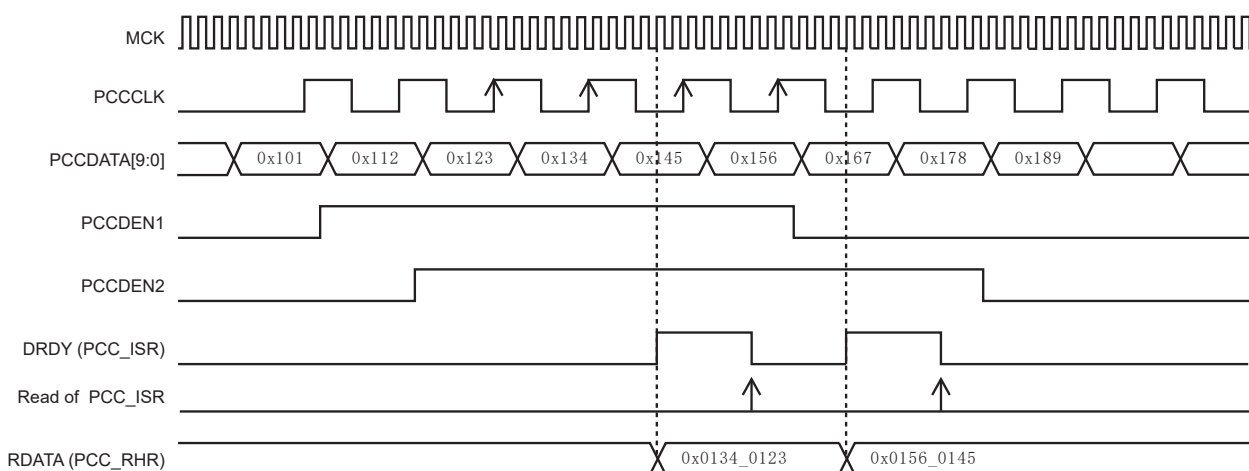
The PCC can be associated with a reception channel of the Peripheral DMA Controller (XDMAC). This performs reception transfer from PCC to a memory buffer without any intervention from the CPU. Transfer status signals from XDMAC are available in XDMAC registers.

The PCC can take into account the sensor data enable signals or not. If the bit ALWAYS is set to zero in PCC\_MR, the PCC samples the sensor data at the rising edge of the sensor clock only if both data enable signals are active (at one). If the bit ALWAYS is set to one, the PCC samples the sensor data at the rising edge of the sensor clock whichever the data enable signals are.

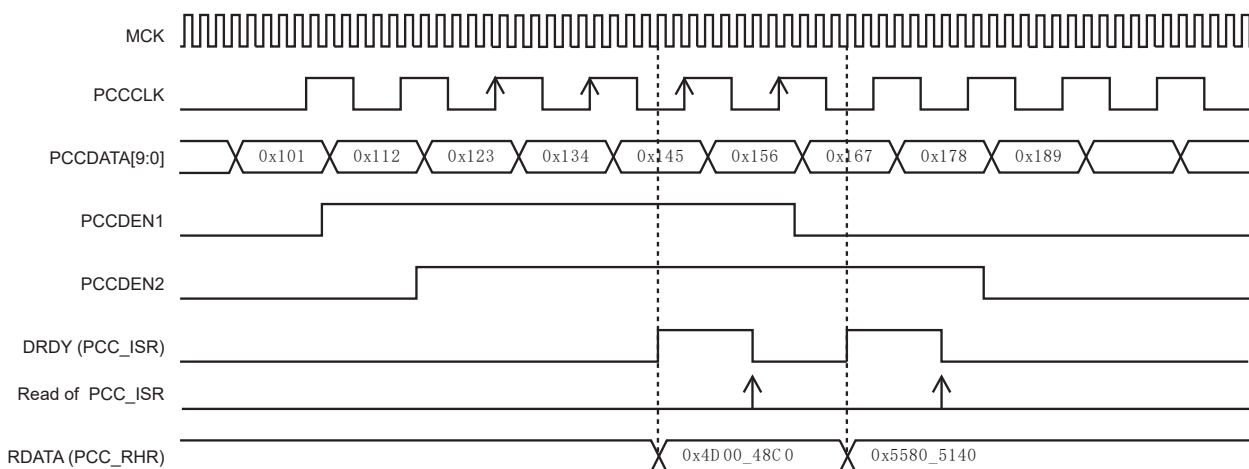
The PCC can sample the sensor data only one time out of two. This is particularly useful when the user wants only to sample the luminance Y of a CMOS digital image sensor that outputs a YUV422 data stream. If the HALFS bit is set to zero in PCC\_MR, the PCC samples the sensor data in the conditions described above. If the HALFS bit is set to one in PCC\_MR, the PCC samples the sensor data in the conditions described above, but only one time out of two. Depending on the FRSTS bit in PCC\_MR, the sensor can either sample the even or odd sensor data. If sensor data are numbered in the order that they are received with an index from zero to n, if FRSTS equals zero then only data with an even index are sampled. If FRSTS equals one, then only data with an odd index are sampled. If data is ready in PCC\_RHR and it is not read before a new data is stored in PCC\_RHR, then an overrun error occurs. The previous data is lost and the OVRE flag in PCC\_ISR is set to one. This flag is automatically reset when PCC\_ISR is read (reset after read).

The flags DRDY and OVRE can be a source of the PCC interrupt.

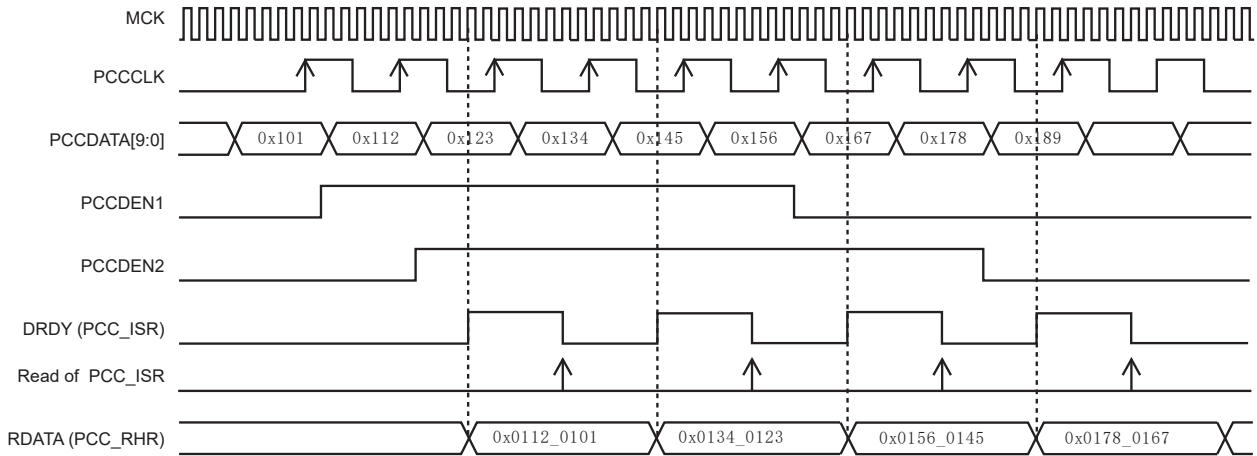
**Figure 48-3.** PCC Waveforms (ISIZE = 1, DSIZE = 1, ALWAYS = 0, HALFS = 0, SCALE = 0)



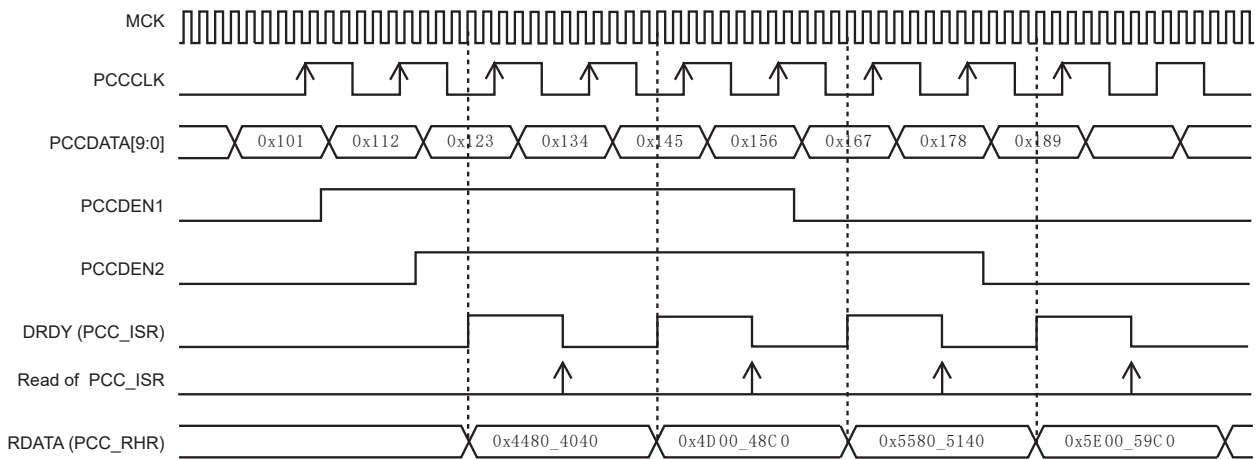
**Figure 48-4.** PCC Waveforms (ISIZE = 1, DSIZE = 1, ALWAYS = 0, HALFS = 0, SCALE = 1)



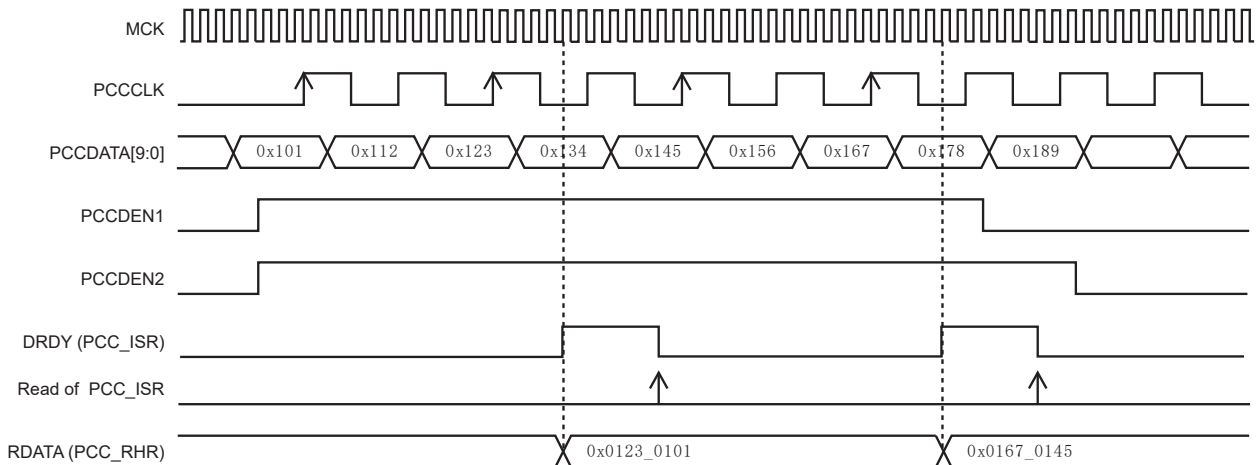
**Figure 48-5.** PCC Waveforms (ISIZE = 1, DSIZE = 1, ALWAYS = 1, HALFS = 0, SCALE = 0)

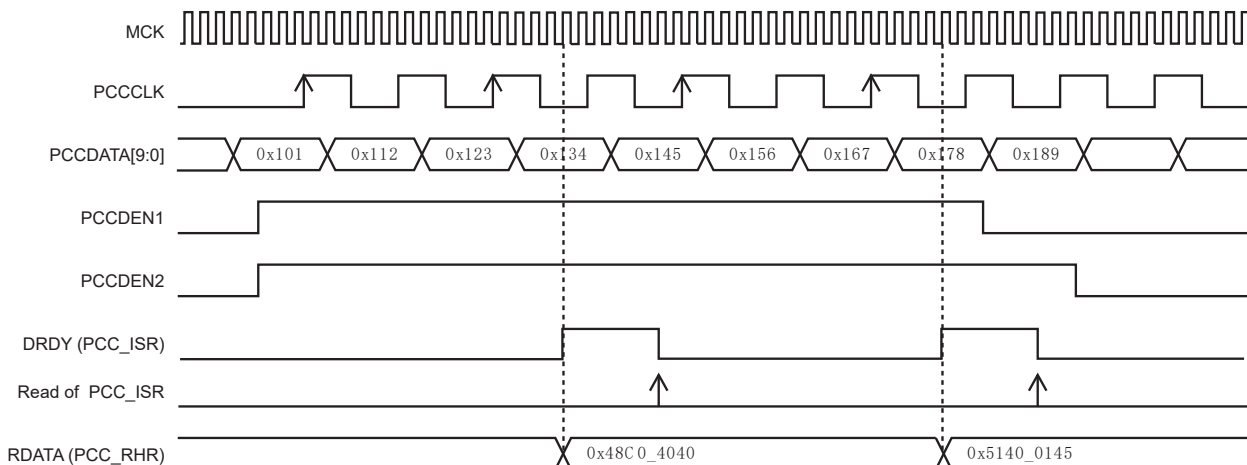
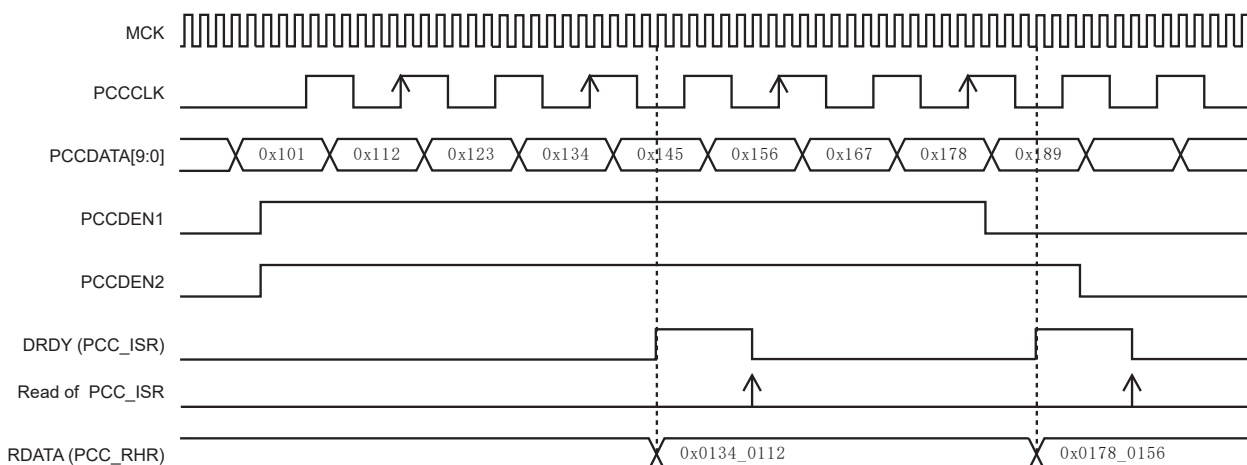
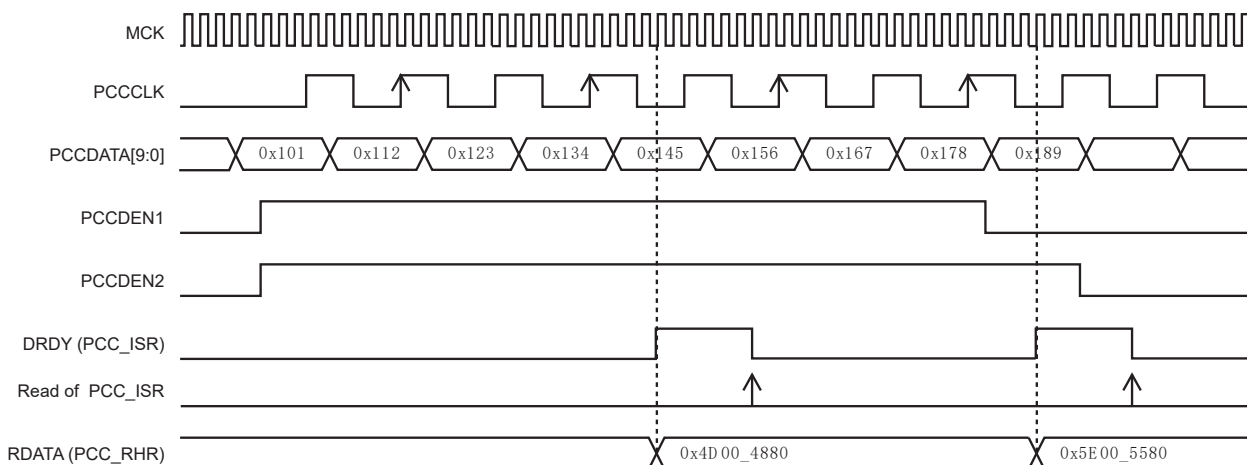


**Figure 48-6.** PCC Waveforms (ISIZE = 1, DSIZE = 1, ALWAYS = 1, HALFS = 0, SCALE = 1)



**Figure 48-7.** PCC Waveforms (ISIZE = 1, DSIZE = 1, ALWAYS = 0, HALFS = 1, FRSTS = 0, SCALE = 0)



**Figure 48-8.** PCC Waveforms (ISIZE = 1, DSIZE = 1, ALWAYS = 0, HALFS = 1, FRSTS = 0, SCALE = 1)**Figure 48-9.** PCC Waveforms (ISIZE = 1, DSIZE = 1, ALWAYS = 0, HALFS = 1, FRSTS = 1, SCALE = 0)**Figure 48-10.** PCC Waveforms (ISIZE = 1, DSIZE = 1, ALWAYS = 0, HALFS = 1, FRSTS = 1, SCALE = 1)

### 48.5.1 Restrictions

- Configuration fields ISIZE, SCALE, DSIZE, ALWAYS, HALFS and FRSTS in PCC\_MR can be changed ONLY if the PCC is disabled at this time (PCEN = 0 in PCC\_MR).

- Frequency of the PCC clock must be strictly superior to two times the frequency of the clock of the device which generates the parallel data.

## 48.5.2 Programming Sequence

### 48.5.2.1 Without DMA

1. Write PCC\_IDR and PCC\_IER to configure the PCC interrupt mask.
2. Write PCC\_MR to set the fields ISIZE, SCALE, DSIZE, ALWAYS, HALFS and FRSTS to configure the PCC WITHOUT enabling the PCC.
3. Write PCC\_MR to set the PCEN bit to one to enable the PCC WITHOUT changing the previous configuration.
4. Wait for a data ready by polling the DRDY flag in PCC\_ISR or by waiting for the corresponding interrupt.
5. Check OVRE flag in PCC\_ISR.
6. Read the data in PCC\_RHR.
7. If new data are expected, go to step 4.
8. Write PCC\_MR to set the PCEN bit to zero to disable the PCC WITHOUT changing the previous configuration.

### 48.5.2.2 With DMA

1. Write PCC\_IDR and PCC\_IER to configure the PCC interrupt mask.
2. Configure DMA transfer in XDMAC registers and in PCC registers.
3. Write PCC\_MR to set the fields ISIZE, SCALE, DSIZE, ALWAYS, HALFS and FRSTS to configure the PCC WITHOUT enabling PCC.
4. Write PCC\_MR to set PCEN bit to one to enable the PCC WITHOUT changing the previous configuration.
5. Wait for end of transfer by reading the corresponding status of the XDMAC registers.
6. Check OVRE flag in PCC\_ISR.
7. If a new buffer transfer is expected, go to step 5.
8. Write PCC\_MR to set the PCEN bit to zero to disable the PCC WITHOUT changing the previous configuration.

## 48.6 Register Write Protection

To prevent any single software error from corrupting PCC behavior, certain registers in the address space can be write-protected by setting the WPEN bit in the [PCC Write Protection Mode Register](#) (PCC\_WPMR).

If a write access to a write-protected register is detected, the WPVS flag in the [PCC Write Protection Status Register](#) (PCC\_WPSR) is set and the field WPVSRC indicates the register in which the write access has been attempted.

The WPVS bit is automatically cleared after reading the PCC\_WPSR.

The following register can be write-protected:

- [PCC Mode Register](#)



## 48.7 Register Summary

Offset	Name	Bit Pos.	7	6	5	4	3	2	1	0
0x00	PCC_MR	7:0			DSIZE[1:0]					PCEN
		15:8				FRSTS	HALFS	ALWYS	SCALE	
		23:16						ISIZE[2:0]		
		31:24	CID[1:0]							
0x04	PCC_IER	7:0						OVRE	DRDY	
		15:8								
		23:16								
0x08	PCC_IDR	31:24								
		7:0						OVRE	DRDY	
		15:8								
		23:16								
0x0C	PCC_IMR	31:24								
		7:0						OVRE	DRDY	
		15:8								
		23:16								
0x10	PCC_ISR	31:24								
		7:0						OVRE	DRDY	
		15:8								
		23:16								
0x14	PCC_RHR	31:24								
		7:0								
		15:8								
		23:16								
0x18 ... 0xDF	Reserved	31:24								
		7:0								
		15:8								
		23:16								
0xE0	PCC_WPMR	31:24								
		7:0							WPEN	
		15:8								
		23:16								
0xE4	PCC_WPSR	31:24								
		7:0							WPVS	
		15:8								
		23:16								

### 48.7.1 PCC Mode Register

**Name:** PCC\_MR  
**Offset:** 0x00  
**Reset:** 0x00000000  
**Property:** Read/Write

This register can only be written if the WPEN bit is cleared in the [PCC Write Protection Mode Register](#).

Bit	31	30	29	28	27	26	25	24
	CID[1:0]							
Access	R/W	R/W						
Reset	0	0						
Bit	23	22	21	20	19	18	17	16
						ISIZE[2:0]		
Access						R/W	R/W	R/W
Reset						0	0	0
Bit	15	14	13	12	11	10	9	8
					FRSTS	HALFS	ALWYS	SCALE
Access					R/W	R/W	R/W	R/W
Reset					0	0	0	0
Bit	7	6	5	4	3	2	1	0
			DSIZE[1:0]					PCEN
Access			R/W	R/W				R/W
Reset			0	0				0

#### Bits 31:30 – CID[1:0] Clear If Disabled

Clears status flags if disabled. These bits are useful to re-initialize the internal mechanism of the PCC to avoid corrupt data due to glitches. Each time a falling edge of the selected DEN 1 or DEN2 signal is detected, the internal mechanism of the PCC is re-initialized to avoid alignment issues.

Value	Description
0x0	Clear not enabled
0x1	Clear on falling edge on DEN 1 enabled
0x2	Clear on falling edge on DEN2 enabled
0x3	Clear on falling edge on either DEN 1 or DEN2 enabled

#### Bits 18:16 – ISIZE[2:0] Input Data Size

Value	Name	Description
0	8_BITS	Input data bus size is 8 bits
1	10_BITS	Input data bus size is 10 bits
2	12_BITS	Input data bus size is 12 bits
3	14_BITS	Input data bus size is 14 bits
4	16_BITS	Input data bus size is 16 bits

#### Bit 11 – FRSTS First Sample

This bit is useful only if the HALFS bit is set to 1. If data are numbered in the order that they are received with an index from 0 to n:

Value	Description
0	Only data with an even index are sampled.
1	Only data with an odd index are sampled.

**Bit 10 – HALFS** Half Sampling  
Independently from the ALWAYS bit:

Value	Description
0	The parallel capture Controller samples all the data.
1	The parallel capture Controller samples the data only every other time.

**Bit 9 – ALWAYS** Always Sampling

Value	Description
0	The parallel capture Controller samples the data when both data enables are active.
1	The parallel capture Controller samples the data whatever the data enables are.

**Bit 8 – SCALE** Scale Data

Value	Description
0	No effect.
1	When input data size is not equal to 8 bits (ISIZE $\neq$ 0), the data stored in the PCC_RHR is automatically up-scaled to 16 bits.

**Bits 5:4 – DSIZE[1:0]** Data Size

Value	Name	Description
0	1_DATA	1 data is read in the PCC_RHR
1	2_DATA	2 data are read in the PCC_RHR
2	4_DATA	4 data are read in the PCC_RHR (only for 8 bits data size, ISIZE = 0)
3	Reserved	

**Bit 0 – PCEN** Parallel Capture Enable

Value	Description
0	The Parallel Capture Controller is disabled.
1	The Parallel Capture Controller is enabled.

## 48.7.2 PCC Interrupt Enable Register

**Name:** PCC\_IER  
**Offset:** 0x04  
**Reset:** -  
**Property:** Write-only

The following configuration values are valid for all listed bit names of this register:

0: No effect

1: Enables the corresponding interrupt

Bit	31	30	29	28	27	26	25	24
Access								
Reset								
Bit	23	22	21	20	19	18	17	16
Access								
Reset								
Bit	15	14	13	12	11	10	9	8
Access								
Reset								
Bit	7	6	5	4	3	2	1	0
Access							OVRE	DRDY
Reset							W	W
							-	-

**Bit 1 - OVRE** Overrun Error Interrupt Enable

**Bit 0 - DRDY** Data Ready Interrupt Enable

### 48.7.3 PCC Interrupt Disable Register

**Name:** PCC\_IDR  
**Offset:** 0x08  
**Reset:** -  
**Property:** Write-only

The following configuration values are valid for all listed bit names of this register:

0: No effect

1: Disables the corresponding interrupt

Bit	31	30	29	28	27	26	25	24
Access								
Reset								
Bit	23	22	21	20	19	18	17	16
Access								
Reset								
Bit	15	14	13	12	11	10	9	8
Access								
Reset								
Bit	7	6	5	4	3	2	1	0
Access							OVRE	DRDY
Reset							W	W
							-	-

**Bit 1 - OVRE** Overrun Error Interrupt Disable

**Bit 0 - DRDY** Data Ready Interrupt Disable

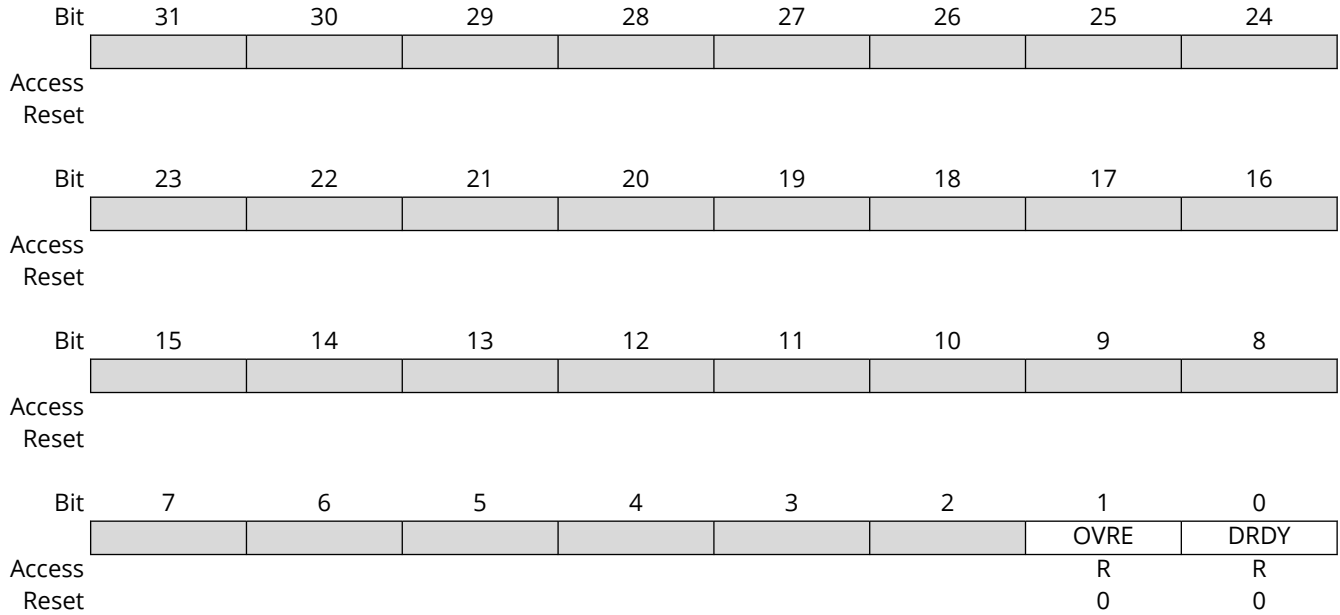
#### 48.7.4 PCC Interrupt Mask Register

**Name:** PCC\_IMR  
**Offset:** 0x0C  
**Reset:** 0x00000000  
**Property:** Read-only

The following configuration values are valid for all listed bit names of this register:

0: Corresponding interrupt is not enabled.

1: Corresponding interrupt is enabled.

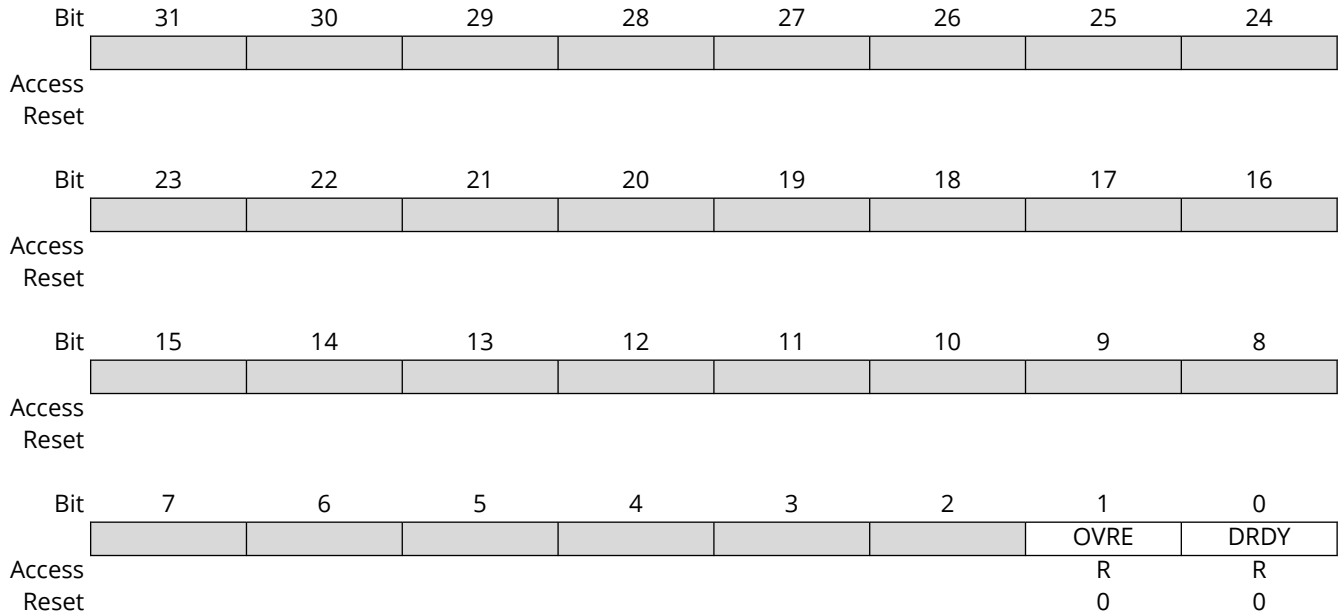


**Bit 1 - OVRE** Overrun Error Interrupt Mask

**Bit 0 - DRDY** Data Ready Interrupt Mask

### 48.7.5 PCC Interrupt Status Register

**Name:** PCC\_ISR  
**Offset:** 0x10  
**Reset:** 0x00000000  
**Property:** Read-only



#### Bit 1 - OVRE Overrun Error

The OVRE flag is automatically reset when this register is read or when the PCC is disabled.

Value	Description
0	No overrun error occurred since the last read of this register.
1	At least one overrun error occurred since the last read of this register.

#### Bit 0 - DRDY Data Ready

The DRDY flag is automatically reset when PCC\_RHR is read or when the PCC is disabled.

Value	Description
0	No new data is ready to be read since the last read of PCC_RHR.
1	A new data is ready to be read since the last read of PCC_RHR.

## 48.7.6 PCC Reception Holding Register

**Name:** PCC\_RHR  
**Offset:** 0x14  
**Reset:** 0x00000000  
**Property:** Read-only

Bit	31	30	29	28	27	26	25	24
	RDATA[31:24]							
Access	R	R	R	R	R	R	R	R
Reset	0	0	0	0	0	0	0	0
Bit	23	22	21	20	19	18	17	16
	RDATA[23:16]							
Access	R	R	R	R	R	R	R	R
Reset	0	0	0	0	0	0	0	0
Bit	15	14	13	12	11	10	9	8
	RDATA[15:8]							
Access	R	R	R	R	R	R	R	R
Reset	0	0	0	0	0	0	0	0
Bit	7	6	5	4	3	2	1	0
	RDATA[7:0]							
Access	R	R	R	R	R	R	R	R
Reset	0	0	0	0	0	0	0	0

### Bits 31:0 – RDATA[31:0] Reception Data

ISIZE	SCALE	DSIZE	Description
8_BITS	-	1_DATA	RDATA[7:0] is useful
		2_DATA	RDATA[15:0] is useful
		4_DATA	RDATA[31:0] is useful
10_BITS	0 (OFF)	1_DATA	RDATA[9:0] is useful
		2_DATA	RDATA[9:0] and RDATA[25:16] are useful
	1 (ON)	1_DATA	RDATA[15:0] is useful
		2_DATA	RDATA[31:0] is useful
12_BITS	0 (OFF)	1_DATA	RDATA[11:0] is useful
		2_DATA	RDATA[11:0] and RDATA[27:16] are useful
	1 (ON)	1_DATA	RDATA[15:0] is useful
		2_DATA	RDATA[31:0] is useful
14_BITS	0 (OFF)	1_DATA	RDATA[13:0] is useful
		2_DATA	RDATA[13:0] and RDATA[29:16] are useful
	1 (ON)	1_DATA	RDATA[15:0] is useful
		2_DATA	RDATA[31:0] is useful
16_BITS	0 (OFF)	1_DATA	RDATA[15:0] is useful
		2_DATA	RDATA[31:0] is useful
	1 (ON)	1_DATA	RDATA[15:0] is useful
		2_DATA	RDATA[31:0] is useful

DSIZE	Description
1_DATA	RDATA[7:0] is useful
2_DATA	RDATA[15:0] is useful
4_DATA	RDATA[31:0] is useful



### 48.7.7 PCC Write Protection Mode Register

**Name:** PCC\_WPMR  
**Offset:** 0xE0  
**Reset:** 0x00000000  
**Property:** Read/Write

Bit	31	30	29	28	27	26	25	24
	WPKEY[23:16]							
Access	R/W	R/W	R/W	R/W	R/W	R/W	R/W	R/W
Reset	0	0	0	0	0	0	0	0
Bit	23	22	21	20	19	18	17	16
	WPKEY[15:8]							
Access	R/W	R/W	R/W	R/W	R/W	R/W	R/W	R/W
Reset	0	0	0	0	0	0	0	0
Bit	15	14	13	12	11	10	9	8
	WPKEY[7:0]							
Access	R/W	R/W	R/W	R/W	R/W	R/W	R/W	R/W
Reset	0	0	0	0	0	0	0	0
Bit	7	6	5	4	3	2	1	0
								WPEN
Access								R/W
Reset								0

#### Bits 31:8 - WPKEY[23:0] Write Protection Key

Value	Name	Description
0x504343	PASSWD	Writing any other value in this field aborts the write operation of the WPEN bit. Always reads as 0.

#### Bit 0 - WPEN Write Protection Enable

See [Section 6.3 "Register Write Protection"](#) for the list of registers that can be protected.

Value	Description
0	Disables the write protection if WPKEY corresponds to 0x504343 ("PCC" in ASCII).
1	Enables the write protection if WPKEY corresponds to 0x504343 ("PCC" in ASCII).

### 48.7.8 PCC Write Protection STATUS Register

**Name:** PCC\_WPSR  
**Offset:** 0xE4  
**Reset:** 0x00000000  
**Property:** Read-only

Bit	31	30	29	28	27	26	25	24
Access								
Reset								
Bit	23	22	21	20	19	18	17	16
	WPVSRC[15:8]							
Access	R	R	R	R	R	R	R	R
Reset	0	0	0	0	0	0	0	0
Bit	15	14	13	12	11	10	9	8
	WPVSRC[7:0]							
Access	R	R	R	R	R	R	R	R
Reset	0	0	0	0	0	0	0	0
Bit	7	6	5	4	3	2	1	0
								WPVS
Access								R
Reset								0

#### Bits 23:8 – WPVSRC[15:0] Write Protection Violation Source

When WPVS = 1, WPVSRC indicates the register address offset at which a write access has been attempted.

#### Bit 0 – WPVS Write Protection Violation Status

Value	Description
0	No write protection violation has occurred since the last read of the PCC_WPSR.
1	A write protection violation has occurred since the last read of the PCC_WPSR. If this violation is an unauthorized attempt to write a protected register, the associated violation is reported into field WPVSRC.

## 49. Schematic Checklist

### 49.1 PC29 and PC30 Boot Mode Pins

These pins are sensed at Reset release to determine the boot choices. These pins are not pulled internally in the SAMRH707 and **MUST** be pulled externally to a proper logic level before reset is released. After Reset, the pins can be used normally as GPIO, and so on.

## 50. Electricals Characteristics

### 50.1 Absolute Maximum Ratings

**Table 50-1.** Absolute Maximum Ratings\*

Storage Temperature	-65°C to + 150°C	*Notice: Stresses beyond those listed under “Absolute Maximum Ratings” may cause permanent damage to the device. This is a stress rating only and functional operation of the device at these or other conditions beyond those indicated in the operational sections of this specification is not implied. Exposure to absolute maximum rating conditions for extended periods may affect device reliability.
Voltage on input pins with respect to Ground	-0.3V to + 4.0V	
Voltage on VDDPLLA/B and VDDCORE with respect to Ground	-0.3V to + 2.0V	
Voltage on (VDDIO, VDDIO_ADC, VDDIO_DAC, ANA_3V3, and ADC_ANA_3V3) with respect to Ground	-0.3V to + 4.0V	
Total DC Output Current on all I/O lines (164 lead CQFP)	TBD	
Total DC Output Current on all I/O lines (484 P/CGA)	TBD	
DC current per I/O pins	up to 48 mA	
ESD: HBM	250V (CQFP164) 500V (TFBGA484)	
ESD: CDM	750V	

**Table 50-2.** Recommended Thermal Operating Conditions

Symbol	Parameter	Conditions	Minimum	Typical	Maximum	Unit
T <sub>A</sub>	Operating Temperature	—	-55	—	125	°C
T <sub>J</sub>	Junction Temperature	—	-55	—	145	°C
P <sub>D</sub>	Power Dissipation	T <sub>A</sub> = 25 °C	—	—	2	W
R <sub>JC</sub>	Junction to case thermal resistance	CQFP164	—	—	1	°C/W
R <sub>JBB</sub>	Junction to bottom balls thermal resistance	TFBGA484	—	—	4	°C/W

### 50.2 DC Characteristics

The following characteristics are applicable to the specified operating temperature range (-55°C; 125 °C), unless otherwise specified.

**Table 50-3.** DC Characteristics

Symbol	Parameter	Conditions	Min	Type	Max	Unit
V <sub>DDCORE</sub>	DC Supply Core		1.65	1.8	1.95	V
	Allowable Voltage Ripple	rms value 10 kHz to 10 MHz	—	—	20	mV
V <sub>DDPLLA/B</sub>	DC Supply PLLA/B		1.65	1.8	1.95	V
	Allowable Voltage Ripple	rms value 10 kHz to 10 MHz	—	—	20	mV
V <sub>DDIO</sub>	DC Supply I/Os	—	3.00	3.3	3.6	V
	Allowable Voltage Ripple	rms value 10 kHz to 20 MHz	—	—	30	mV
ANA_3V3	ADC/DAC Analog Supply ( ( option CQFP164) )	—	3.00	3.3	3.6	V
	Allowable Voltage Ripple	rms value 10 kHz to 20 MHz	—	—	30	mV

.....continued

Symbol	Parameter	Conditions	Min	Type	Max	Unit
ADC_ANA_3V3	ADC Analog Supply (option TFBGA484)		3.00	3.3	3.6	V
	Allowable Voltage Ripple	rms value 10 kHz to 20 MHz	—	—	30	mV
V <sub>DDIO_ADC</sub>	ADC - Digital Supply	—	3.00	3.3	3.6	V
	Allowable Voltage Ripple	rms value 10 kHz to 20 MHz	—	—	30	mV
V <sub>DDIO_DAC</sub>	DAC - Digital Supply	—	3.00	3.3	3.6	V
	Allowable Voltage Ripple	rms value 10 kHz to 20 MHz	—	—	30	mV
SpWREF	DC Supply Core LVDS reference	—	1.125	1.25	1.375	V
	Allowable Voltage Ripple	rms value 10 kHz to 20 MHz	—	—	10	mV
V <sub>IL</sub>	Low-level Input Voltage	GPIO (pc33r100kbz,pc33r100kbaz)	—	—	0.7	V
V <sub>IH</sub>	High-level Input Voltage	GPIO (pc33r100kbz,pc33r100kbaz)	2	—	—	V
V <sub>OH</sub>	High-level Output Voltage	GPIO (pc33r100kbz,pc33r100kbaz), IOH=2,4,8,16,24,32,40,48 mA <sup>(1)</sup>	V <sub>DDIO</sub> - 0.4	—	—	V
V <sub>OL</sub>	Low-level Output Voltage	GPIO (pc33r100kbz,pc33r100kbaz), IOL=2,4,8,16,24,32,40,48 mA <sup>(1)</sup>	—	—	0.4	V
I <sub>IL</sub>	Low-level Input Current	GPIO- Input configuration	—	—	1	μA
		GPIO-Pull up enable	—	V <sub>DDIO</sub> /R <sub>PULLUP</sub>	—	mA
		GPIO-Cold sparing configuration	—	—	1	μA
I <sub>IH</sub>	High-level Input Current	GPIO-Input configuration	—	—	1	μA
		GPIO-Pull down enable	—	V <sub>DDIO</sub> /R <sub>PULLDOWN</sub>	—	mA
		GPIO-Cold sparing configuration	—	—	1	μA
R <sub>PULLUP</sub>	Pull-up Resistor	—	80	110	160	kΩ
R <sub>PULLDOWN</sub>	Pull-down Resistor	—	80	110	160	kΩ
V <sub>T+</sub>	Rising input threshold	GPIO- Schmidt trigger enable	—	1.55	—	V
V <sub>T-</sub>	Falling input threshold	GPIO- Schmidt trigger enable	—	1.20	—	V
V <sub>HYST</sub>	Schmidt trigger hysteresis	GPIO- Schmidt trigger enable	—	0.35	—	V

**Note:**

1. Test condition is minus 10% of the drive defined.

**Table 50-4.** DC Characteristics (LVDS)

Symbol	Parameter	Conditions	Min	Typ	Max	Unit
I <sub>LVDSREF</sub>	LVDS Reference current consumption	—	—	—	10	μA
V <sub>T_TX</sub>	LVDS Differential output voltage	Full load test measurement	247	—	454	mV
ΔV <sub>T_TX</sub>	LVDS Difference of magnitude of differential output voltage for opposite binary state		—	—	50	mV
V <sub>OS_TX</sub>	LVDS Offset voltage	Offset voltage measurement	1.125	—	1.375	V
ΔV <sub>OS_TX</sub>	LVDS Difference of V <sub>OS_TX</sub> for opposite state		—	—	50	mV

.....continued

Symbol	Parameter	Conditions	Min	Typ	Max	Unit
Z <sub>T_RXR</sub>	LVDS Input impedance	LDVS receive pad	90	—	132	Ω

## 50.3 VDDCore Supply Monitor

**Table 50-5.** Core Power Supply Monitor Detector Characteristics

Symbol	Parameter	Conditions	Minimum	Typ	Maximum	Unit
V <sub>TR</sub>	Supply Monitor Threshold Rise	—	—	1.65	—	V
V <sub>TF</sub>	Supply Monitor Threshold Fall	—	—	1.6	—	V
V <sub>POR</sub>	POR Threshold	—	1.47	1.5	1.6	V
t <sub>START</sub>	Startup Time	From Disabled state to Enabled state	1.00E-06	—	1	s

## 50.4 Power Consumption

### 50.4.1 Core Power Consumption

#### 50.4.1.1 Methodology

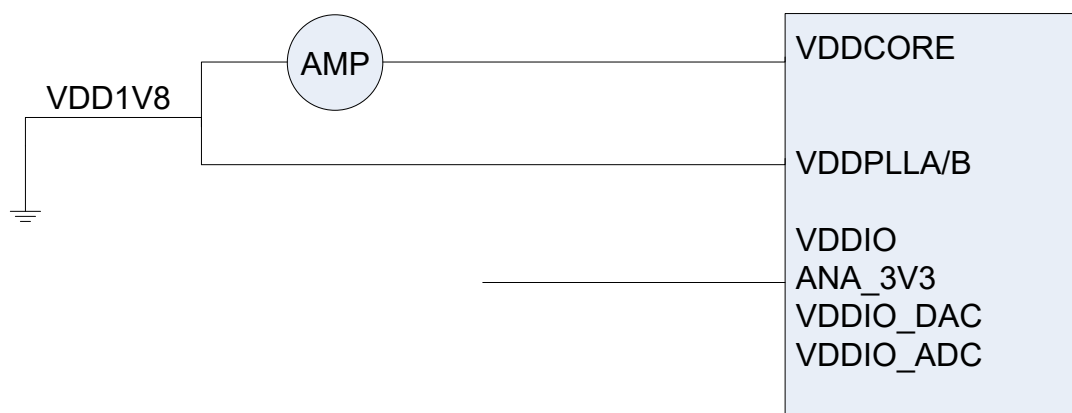
The values in this section are measured values of power consumption under the following conditions, except where noted.

#### Operating Conditions

- VDDIO, ANA\_3V3, VDDIO\_DAC, VDDIO\_ADC = 3.3V
- VDDCORE = 1.8V
- VDDPLLA/B = 1.8V
- SPWREF = 1.25V

All the power consumption is performed on the VDD1V8 power supply considering the following scheme at 25°C.

**Figure 50-1.** Power Consumption Scheme at 25°C



**Note:** VDDPLLA/B current is not dynamic so it is not measured here. For more information on PLLA/B, see sections [50.6. PLLA Characteristics](#) and [50.7. PLLB Characteristics](#).

#### Clocks

- MainCK is connected to an external 10 MHz quartz
- SCLK\_TD is connected to an external 32 KHz crystal
- SCLK\_MD is connected to the internal RC oscillator at 10 MHz
- When enabled, the PLLA is configured at
  - 200 MHz for 50 MHz -50 MHz or 25 MHz - 25 MHz
- PLLB is not enabled

Following are the internal clock connections:

- HCLK is connected to
  - MainCK for 10 MHz -10 MHz
  - PLLA/4 for 50 MHz -50 MHz
  - PLLA/8 for 25 MHz - 25 MHz
  - HCLK divided by 1 for 10 MHz -10 MHz or 25 MHz - 25 MHz or 50 MHz -50 MHz
- The following AHB module clocks and peripheral clocks are running:
  - All system clocks (Cortex M7 processor, internal SRAM memories (FlexRAM and TCM), internal AMBA buses -Hmatrix, AHB and APB, SUPC, RSTC, PMC, WDT, RTT and RTC)
  - All other AHB clocks and APB clocks stopped.

#### PIO

- PIOs are configured in PIO with internal pull-up, except the one dedicated to HEMC

#### CPU

- CPU is active, code is fetched from internal FlexRAM or TCM memories
- Cache disable

In this default condition, the power consumption VDDCORE is measured.

#### 50.4.1.2 Specific conditions for While(1)

Peripheral enabled: PIOA, FlexCOM1, and HEMC.

#### 50.4.1.3 Specific Conditions for Coremark

Peripherals enabled: PIOA, TC3, FlexCOM1 and HEMC.

TC3, FlexCOM1 and HEMC PIO are configured on peripheral function

#### 50.4.1.4 Specific Conditions for Dhrystone

Peripherals enabled: PIOA, TC3, FlexCOM1 and HEMC.

TC3, FlexCOM1 and HEMC PIO are configured on peripheral function.

#### 50.4.1.5 Results

**Table 50-6.** While(1) Algorithm – VDDCORE Power Measurements

HCLK/MCK [MHz]	FlexRAM	TCM	Unit
10/10	86	86	mA
25/25	225	223	
50/50	416	407	

**Table 50-7. Coremark Algorithm – VDDCORE Power Measurements**

HCLK/MCK [MHz]	FlexRAM	TCM	Unit
10/10	94	92	mA
25/25	238	232	
50/50	461	448	

**Table 50-8. Dhrystone Algorithm – VDDCORE Power Measurements**

HCLK/MCK [MHz]	FlexRAM	TCM	Unit
10/10	86	86	mA
25/25	218	217	
50/50	422	419	

In conclusion, the VDDCORE power consumptions are within 10% of each-others whatever the algorithm runs.

## 50.4.2 Peripherals Power Consumption

### 50.4.2.1 Methodology

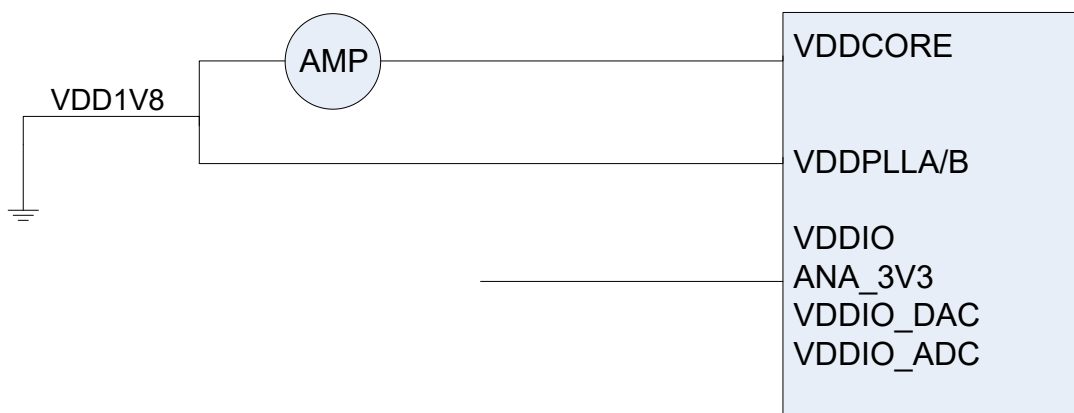
The values in this section are measured values of power consumption under the following conditions, except where indicated.

#### Operating Conditions

- VDDIO, ANA\_3V3, VDDIO\_DAC, VDDIO\_ADC = 3.3V
- VDDCORE = 1.8V
- VDDPLLA/B = 1.8V
- SPWREF = 1.25V

All the power consumption are performed on the VDDCORE power supply considering the following scheme at 25°C.

**Figure 50-2. Power Consumption Scheme at 25°C**



**Note:** VDDPLLA/B current is not dynamic so it is not measured here. For more information on PLLA/B, see sections [50.6. PLLA Characteristics](#) and [50.7. PLLB Characteristics](#).

#### Clocks

- MainCK is connected to an external 10 MHz quartz
- SCLK\_TD is connected to an external 32 KHz crystal



- SCLK\_MD is connected to the internal RC oscillator at 10 MHz
- When enabled, the PLLA is configured at 200 MHz
- When enabled, the PLLB is configured at 100 MHz except for 1553 peripheral, where is configured at 120 MHz.

Following are the internal clock connections:

- HCLK is connected to:
  - MainCK for 10 MHz - 10 MHz
  - PLLA/4 for 50 MHz - 50 MHz
  - PLLA/8 for 25 MHz - 25 MHz
  - HCLK divided by 1 for 10 MHz - 10 MHz, 25 MHz - 25 MHz, 50 MHz - 50 MHz
- The following AHB module clocks and peripheral clocks are running:
  - All system clocks (Cortex M7 processor, internal SRAM memories (FlexRAM and TCM), internal AMBA buses -Hmatrix, AHB and APB, SUPC, RSTC, PMC, WDT, RTT and RTC).
  - All other AHB clocks and APB clocks are stopped.

### PIO

I/Os are configured in PIO with internal pull-up, except the one dedicated to HEMC.

### CPU

- CPU is active, code is fetched from internal FlexRAM.
- Cache disable

In this default conditions, the power consumption Idefault is measured.

Operating mode for each peripheral in turn:

- Configure and enable the peripheral GCLK (When relevant, see conditions in [Table 50-9](#))
- Unmask the peripheral clock(n)
- Enable the peripheral (when relevant)
- Measurement Itotalperiph(n)
- Go to the next peripheral (n+1)

Then, difference is made between Itotalperiph(n+1) and Itotalperiph(n), to obtain the Iperiph(n) value measurement.

Each peripheral power consumption provided in [Table 50-9](#) is the value (Iperiph(n) - Idefault), using the same measurement method as for global power consumption measurement.

**Table 50-9.** GCLK Default Conditions

Peripheral	GCLK
HEFC	MainCK/5
MCAN <sup>1</sup>	PLLBCK/5
FLEXCOM <sup>1</sup> , TC <sup>1</sup>	MCK
SPW, NMIC	PLLBCK
SPW_INT1 (TimeTick)	MainCK
1553	PLLBCK/10
ADC	PLLBCK/5
Others peripherals	No GCLK

**Note:**

1. The same conditions are applied for the several instances of the peripheral.

## 50.4.2.2 Results

**Table 50-10.** Typical VDDCORE Measurements

Features	VDDCORE [mA/MHZ]
ID_HEFC	0.26
ID_NMIC	0.09
ID_PIOA	0.19
ID_FLEXCOM <sup>1</sup>	0.10
ID_TC <sup>2</sup>	0.06
ID_MCAN <sup>3</sup>	0.47
ID_PWM <sup>4</sup>	0.23
ID_ICM	0.38
ID_SHA	0.67
ID_HEMC	0.08
ID_SPW	1.59
ID_IP1553	0.43
ID_XDMAC	0.36
ID_CRCCU	0.03
ID_TRNG	0.02
ID_PCC	0.02
ID_DACC	0.03
ID_ADC	0.33

### Notes:

1. FlexCOM[0-3] has the same value. The result is provided for one instance.
2. TC[0-8] has the same value. The result is provided for one instance.
3. CAN[0-1] has the same value. The result is provided for one instance.
4. PWM[0-1] has the same value. The result is provided for one instance.

## 50.5 Oscillator Characteristics

### 50.5.1 32 kHz RC Oscillator Characteristics

**Table 50-11.** 32 kHz RC Oscillator Characteristics

Symbol	Parameter	Conditions	Min	Typ	Max	Unit
$f_{OSC}$	Operating Frequency	—	24	32	40	kHz
$t_{START}$	Startup Time	—	—	—	100	$\mu s$
$I_{DDON}$	Current Consumption	After startup time	—	70	110	$\mu A$

### 50.5.2 4/8/10/12 MHz RC Oscillators Characteristics

**Table 50-12.** 4/8/10/12 MHz RC Oscillators Characteristics

Symbol	Parameter	Conditions <sup>(3)</sup>	Min	Typ	Max	Unit
ACC <sub>4</sub>	4 MHz total accuracy	4 MHz output selected at 25°C <sup>(1)</sup>	3.6	4	4.4	MHz
ACC <sub>8</sub>	8 MHz total accuracy	8 MHz output selected at 25°C <sup>(1)</sup>	7.2	8	8.8	MHz
ACC <sub>10</sub>	10 MHz total accuracy	10 MHz output selected at 25°C <sup>(1)</sup>	9	10	11	MHz
ACC <sub>12</sub>	12 MHz total accuracy	12 MHz output selected at 25°C <sup>(1)</sup>	10.8	12	13.2	MHz
	Temp dependency	—	—	—	0.005	%/°C
$t_{START}$	Startup Time	—	—	—	6	$\mu s$

**Notes:**

1. Frequency range can be configured in the dedicated registers.
2. After trimming at 25°C and  $V_{DDCORE} = 1.8V$ .

**50.6 PLLA Characteristics****Table 50-13.** PLLA Characteristics

Symbol	Parameter	Conditions	Min	Typ	Max	Unit
$f_{IN}$	Input Frequency	—	8	—	20	MHz
$f_{OUT}$	Output Frequency	—	40	—	200	MHz
Nf	Frequency ratio $F_{out} / F_{in}$	—	—	—	25	—
$I_{PLL}$	Current Consumption	Active mode at 160 MHz at 1.8V	—	—	9	mA
$t_{START}$	Startup Time	—	—	—	8	$\mu s$
$J_{per}$	Output Period Jitter	—	—	—	1.3	% (input clock period)

**50.7 PLLB Characteristics****Table 50-14.** PLLB Characteristics

Symbol	Parameter	Conditions	Min	Typ	Max	Unit
$f_{IN}$	Input Frequency	—	8	—	20	MHz
$f_{OUT}$	Output Frequency	—	40	—	200	MHz
Nf	Frequency ratio $F_{out} / F_{in}$	—	—	—	25	—
$I_{PLL}$	Current Consumption	Active mode at 160 MHz at 1.8V	—	—	9	mA
$t_{START}$	Startup time	—	—	—	8	$\mu s$
$J_{per}$	Output Period Jitter	—	—	—	1.3	% (input clock period)

**50.8 Embedded Flash Characteristics****Table 50-15.** Flash Characteristics

Parameter	Conditions	Min	Typ	Max	Unit	
Program Cycle Time	Write Page mode	3.8	4	4.2	ms	
	Erase Page mode	3.8	4	4.2	ms	
Full Chip Erase	128 Kbytes	—	2	—	s	
Data Retention	At $T_A=110^\circ C$	20	—	—	years	
	At $T_A=125^\circ C$	10	—	—	years	
	Write/Erase cycles per page, block or sector at 25°C	10K	—	—	cycles	
Flash Active Current	Random 128-bit read at maximum frequency at 25°C	on $V_{DDCORE} = 1.8V$	—	5	—	mA
	Program at 25°C	on $V_{DDCORE} = 1.8V$	—	11	—	
	Erase at 25°C	on $V_{DDCORE} = 1.8V$	—	11	—	

**Note:** Cycling over full temperature range.

**50.9 Analog To Digital Converter (ADC) Characteristics****Table 50-16.** Power Supply Characteristics

Parameter	Conditions	Min	Typ	Max	Unit	
ANA_3V3 / ADC_ANA_3V3	ADC Analog Supply	12 bit resolution	3	3.3	3.6	V
Vrip(max)	Max Voltage Ripple	RMS value, 10 KHz to 20 MHz	—	—	30	mV

.....continued

Parameter	Conditions		Min	Typ	Max	Unit
IANA_3V3	Current Consumption	OFF mode	0	2	4	μA
		Standby mode	1	1.8	2.6	mA
		ON mode	3	5.4	7.8	mA

**Table 50-17.** ADC\_VREFIN Electrical Characteristics

Parameter	Conditions		Min	Typ	Max	Unit
ADC_VREFIN	Voltage Range	Full operational	3	3.3	ANA_3V3	V
	RMS Noise	Bandwidth 10 kHz to 1 MHz	—	—	100	μV
R <sub>ADC_VREFIN</sub>	Input DC Impedance	ADC reference resistance bridge <sup>(1)</sup>	10.8	14.5	18	kΩ
I <sub>ADC_VREFIN</sub>	Current	VADC_VREFIN=3.3V	—	0.3	—	mA

**Note:**

- When the ADC is in Sleep mode, the ADC\_VREFIN impedance has a minimum of 10 MΩ.

**Table 50-18.** ADC Timing Characteristics

Parameter	Conditions		Min	Typ	Max	Unit
f <sub>ADC Clock</sub>	Clock Frequency	—	2	20	22	MHz
t <sub>ADC Clock</sub>	Clock Period	—	45.5	50	500	ns
f <sub>S</sub>	Sampling Frequency <sup>(1)</sup>	—	0.05	1	1.10	MHz
t <sub>START</sub>	ADC Startup Time	standby → ON	—	—	12	μs

**Note:**  $f_s = 1/t_{ADC\_conv}$  in Free Run mode; otherwise defined by the trigger timing.

**Table 50-19.** ADC Offset and Gain Error, VADC\_VREFIN = 3.3V, GAIN=1, IBCTL=1 a,d Fs=100 KHz<sup>(1)</sup>

Parameter	Conditions	Min	Typ	Max	Unit	
Differential Mode <sup>(1)</sup>						
EO	Differential Offset Error <sup>(1)</sup>	—	-30	±8	30	LSB
EG	Differential Gain Error	—	-3	±0.5	3	%
Single-Ended Mode <sup>(1)</sup>						
EO	Single-ended Offset Error <sup>(1)</sup>	—	-40	±8	40	LSB
EG	Single-ended Gain Error	—	-3	±0.5	3	%

**Note:**

- For higher Gain values, ADC offset = EO x GAIN.

**Table 50-20.** ADC INL and DNL, VVREFP = 3.3V

Parameter	Conditions	Min	Typ	Max	Unit	
Differential Mode <sup>(1)</sup>						
INL	Integral Non-Linearity	—	-4	±1	4	LSB
DNL	Differential Non-Linearity	—	-2	±0.5	2	LSB
Single-Ended Mode <sup>(1)</sup>						
INL	Integral Non-Linearity	—	-4	±1	4	LSB
DNL	Differential Non-Linearity	—	-2	±0.5	2	LSB

**Note:**

- When the ADC is in Sleep mode, the ADC\_VREFIN impedance has a minimum of 10 MΩ.

**Table 50-21.** Dynamic Performances

Parameter	Conditions	Min	Typ	Max	Unit	
Differential Mode <sup>(1)</sup>						
SNR	Signal To Noise Ratio	Gain=1	58	64	70	dB
THD	Total Harmonic Distortion	Gain=1	-78	-70	-58	dB
SINAD	Signal To Noise and Distortion Ratio	Gain=1	57	63	70	dB
ENOB	Effective Number of Bits	Gain=1	9	10	11	bits
Single-Ended Mode <sup>(1)</sup>						
SNR	Signal To Noise Ratio	Gain=1	50	57	62	dB
THD	Total Harmonic Distortion	Gain=1	-72	-65	-58	dB
SINAD	Signal To Noise and Distortion Ratio	Gain=1	49	56	61	dB
ENOB	Effective Number of Bits	Gain=1	7.8	9	10	bits

**Note:**

1. ADC\_VREFIN = 3.0V, ADC clock = 20 MHz.

## 50.10 Digital To Analog Converter (DAC) Characteristics

**Table 50-22.** Analog Power Supply Characteristics

Symbol	Parameter	Conditions	Min	Typ	Max	Unit
ANA_3V3	DAC Analog Supply	12 bit resolution	3	3.3	3.6	V
V <sub>rip(max)</sub>	Max Voltage Ripple	RMS value, 10 KHz to 20 MHz	—	—	30	mV
I <sub>ANA_3V3</sub>	Current consumption	mode OFF	0	2	20	μA
		mode standby	1.4	2	5	mA
		mode ON	4	5.7	9.5	mA

**Note:** The maximum conversion rate vs the configuration of DACC\_ACR.IBCTLHx is given in the following table.

**Table 50-23.** Analog Power Supply Characteristics

DACC_ACR.IBCTLCHx	Max. Conversion Rate
0	Bypass
1	500 ks/s
2	N/A
3	1 Ms/s

**Table 50-24.** Voltage Reference<sup>(1)</sup>

Symbol	Parameter	Conditions	Min	Typ	Max	Unit
AD_DAC_VREFIN	Positive Voltage Reference	Externally decoupled 100 nF	3	3.3	ANA_3V3	V
I <sub>AD_DAC_VREFIN</sub>	DC Current on AD_DAC_VREFIN	—	—	TBD	—	μA

**Note:**

1. AD\_DAC\_VREFIN is the positive reference shared with ADC and may have a different value for ADC. Refer to the ADC electrical characteristics if ADC is used. The AD\_DAC\_GNDREF pin must be connected to ground.

**Table 50-25.** DAC Clock

Symbol	Parameter	Conditions	Min	Typ	Max	Unit
f <sub>DAC</sub>	DAC Clock Frequency	—	1	25	25	MHz
f <sub>S</sub>	Sampling Frequency	—	0.02	1	1	mSps

**Table 50-26.** Static Performance Characteristics (Single-Ended Mode)<sup>(1)</sup>

Symbol	Parameter	Conditions	Min	Typ	Max	Unit
N	Resolution	—	—	12	—	MHz
LSB	Less Significant Bit value	AD_DAC_VREFIN =3V	—	488	—	μV
INL	Integral Non-linearity	LSB=(2/3)AD_DAC_VREFIN/2 <sup>N</sup>	-4	±1	4	LSB
DNL	Differential Non-linearity	—	-4	±0, 5	4	LSB
E <sub>O</sub>	Offset Error	—	-75	±8	75	LSB
E <sub>G</sub>	Gain Error	—	-120	±2	120	LSB

**Note:**

1. Full scale ramp, fs=200 KHz

**Table 50-27.** Static Performance Characteristics (Differential Mode)<sup>(1)</sup>

Symbol	Parameter	Conditions	Min	Typ	Max	Unit
N	Resolution	—	—	12	—	MHz
LSB	Less Significant Bit value	AD_DAC_VREFIN =3V	—	488	—	μV
INL	Integral Non-linearity	LSB=(2/3)AD_DAC_VREFIN/2 <sup>N</sup>	-3	±1	3	LSB
DNL	Differential Non-linearity	—	-3	±0, 5	3	LSB
E <sub>O</sub>	Offset Error	—	-30	±8	30	LSB
E <sub>G</sub>	Gain Error	—	-120	±2	120	LSB

**Note:**

1. Full scale ramp, fs=200 KHz

**Table 50-28.** Dynamic Performance Characteristics

Symbol	Parameter	Conditions	Min	Typ	Max	Unit
t <sub>START</sub>	Startup Time	From DAC on (CHER.CHx) to DAC ready to convert (CHSR.DACRDYx)	—	10	—	μs
t <sub>S</sub>	Settling Time Code to Code; that is, code(n-1) to code(n) ± 0.5 LSB	R <sub>LOAD</sub> =5 KΩ	—	0.5	—	μs
		C <sub>LOAD</sub> =50 pF	—	1	—	μs
	Settling Time Full-scale; that is, 0x000 to 0xFF ±0.5 LSB	DACC_ACR.IBCTLCHx =3	—	1	—	μs
		FS = 1 MSps	—	1	—	μs
Slew Rate	—	—	2.66	—	10.66	V/μs

**Table 50-29.** Analog Outputs

Symbol	Parameter	Conditions	Min	Typ	Max	Unit
R <sub>LOAD</sub>	Output Resistor Load	Output load resistor	5	—	—	kΩ
C <sub>LOAD</sub>	Output Capacitor Load	Output load capacitor	—	—	50	pF
FSR	Full Scale Range on DAC0/2	Code = 0x000 No R <sub>LOAD</sub> C <sub>LOAD</sub> =50 pF DACC_ACR.IBCTLCHx =3	1/6	1/2	5/6	AD_DAC_VREFIN
FSR	Full Scale Range on DAC1 (DAC1P or DAC1N)	Code =0xFFFF No R <sub>LOAD</sub> C <sub>LOAD</sub> =50 pF DACC_ACR.IBCTLCHx =3	1/3	1/2	2/3	AD_DAC_VREFIN

.....continued

Symbol	Parameter	Conditions	Min	Typ	Max	Unit
FSR	Full Scale Range DAC1 (DAC1P or DAC1N)	Code = 0x000 to 0xFFF No $R_{LOAD}$ $C_{LOAD}=50$ pF DACC_ACR.IBCTLCHx =3	-1/3	0	1/3	AD_DAC_VREFIN
$R_{OUT}$	DAC Output Resistor	$0.3 < V_{DACx} < ANA\_3V3 - 0.3V$ DACC_ACR.IBCTLCHx =3 $R_{LOAD}=5$ k $\Omega$	—	15	—	$\Omega$
		$V_{DACx} > ANA\_3V3 - 0.3V$ DACC_ACR.IBCTLCHx =3 $R_{LOAD}=5$ k $\Omega$	—	550	—	$\Omega$
		$V_{DACx} < 0.3V$ DACC_ACR.IBCTLCHx =3 $R_{LOAD}=5$ k $\Omega$	—	550	—	$\Omega$
		$V_{DACx} = AD\_DAC\_VREFIN/2$ DACC_ACR.IBCTLCHx = 0 (Bypass mode, buffer off) No $R_{LOAD}$	—	300	—	k $\Omega$

## 50.11 AC Characteristics

Unless it is explicitly specified in the table, the timing of the AC characteristics are performed by STA in the worst case conditions (slow process, high temperature and low voltage).

In the following sections, the following parameters refers to:

- Drive: PIO drive value of the signal referenced in the parameter description ([PIO\\_CFGRx register](#)).
- Cdata or Csdram: Capacitance of the signal referenced in the parameter description.
- Cclk: Capacitance of the clock signal of the peripheral referenced.
- Csdck: Capacitance of the clock signal of the HSDRAMC peripheral.

### 50.11.1 Processor Clock Characteristics

**Table 50-30.** Processor Clock Waveform Parameters

Symbol	Parameter	Conditions	Min	Max	Unit
$1/(t_{CPCK})$	Processor Clock Frequency	Worst case	—	50	MHz

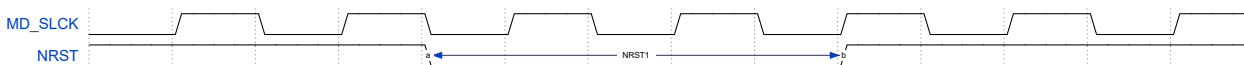
### 50.11.2 Master Clock Characteristics

**Table 50-31.** Master Clock Waveform Parameters

Symbol	Parameter	Conditions	Min	Max	Unit
$1/(t_{CPMCK})$	Master Clock Frequency	Worst case	—	50	MHz

### 50.11.3 NRST Characteristics

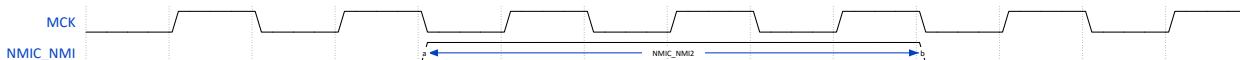
**Figure 50-3.** NRST Characteristics



**Table 50-32.** NRST Timings

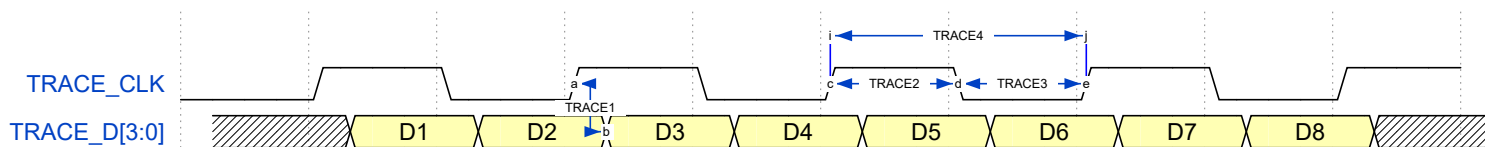
Symbol	Parameter	Conditions	Min	Typ	Max	Unit
NRST1	Reset low pulse width	—	50	—	—	μs

#### 50.11.4 NMIC NMI Characteristics

**Figure 50-4.** NMIC NMI Characteristics (active level low)**Figure 50-5.** NMIC NMI Characteristics (active level high)**Table 50-33.** NMIC NMI Characteristics

Symbol	Parameter	Conditions	Min	Typ	Max	Unit
NMIC_NMI1	NMI min pulse width (active-low)	GFEN=1	$2^{GFSEL}$	—	—	GCK
NMIC_NMI2	NMI min pulse width (active-high)	GFEN=1	$2^{GFSEL}$	—	—	GCK
NMIC_NMI1	NMI min pulse width (active-low)	GFEN=0	10	—	—	ns
NMIC_NMI2	NMI min pulse width (active-high)	GFEN=0	10	—	—	ns

#### 50.11.5 Trace Characteristics

**Figure 50-6.** Trace Characteristics**Table 50-34.** Trace Timings

Symbol	Parameter	Conditions	Min	Typ	Max	Unit
TRACE1	Output delay for TRACE_Dx from TRACE_CLK rising or falling (DDR)	—	$1.9-0.48 \times (\text{Cdata-Cclk}) / \text{Drive}$	—	$3.7+0.48 \times (\text{Cdata-Cclk}) / \text{Drive}$	ns
TRACE2	TRACE_CLK HIGH level	—	1	tPCK3/2	—	HCLK HIGH level
TRACE3	TRACE_CLK LOW level	—	1	tPCK3/2	—	HCLK LOW level
TRACE4	TRACE_CLK Period	—	2	tPCK3/2	—	HCLK period



## 50.11.6 1553 Characteristics

Figure 50-7. 1553 Characteristics

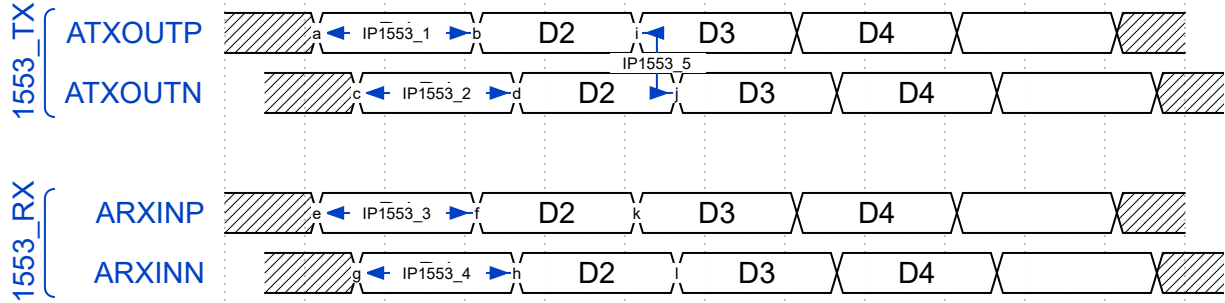


Table 50-35. 1553 Timings

Symbol	Parameter	Conditions	Min	Typ	Max	Unit
IP1553_1	1553 period data for A/BTXOUTP	—	—	1000	—	ns
IP1553_2	1553 period data for A/BTXOUTN	—	—	1000	—	ns
IP1553_3	1553 period data for A/BRXINP	—	—	1000	—	ns
IP1553_4	1553 period data for A/BRXINN	—	—	1000	—	ns
IP1553_5	ATXOUTP / ATXOUTN delay (BTXOUTP/ BTXOUTN delay)	—	—	—	5	ns

## 50.11.7 SPW Characteristics

### 50.11.7.1 SPW LVDS Characteristics

Figure 50-8. SPW RX Characteristics (LVDS Mode)

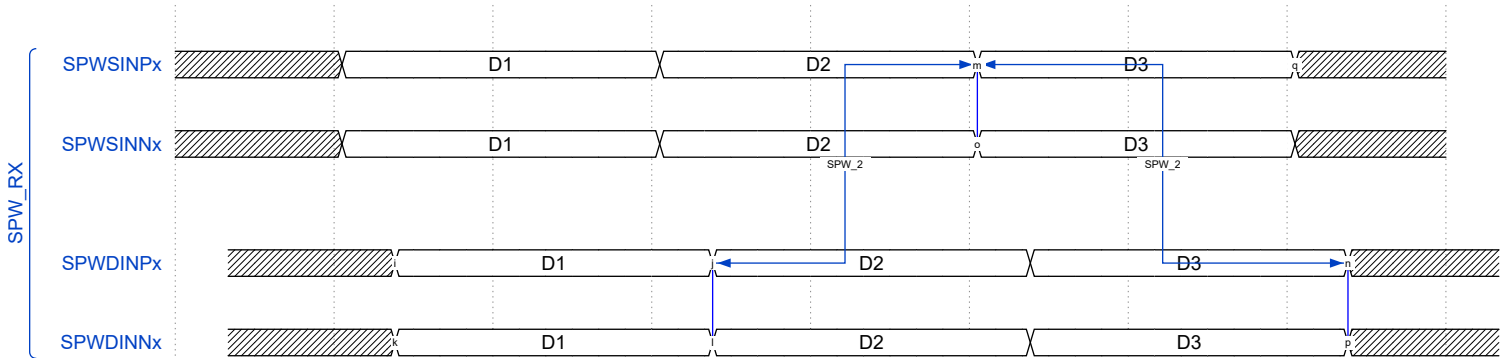


Figure 50-9. SPW TX Characteristics (LVDS Mode)

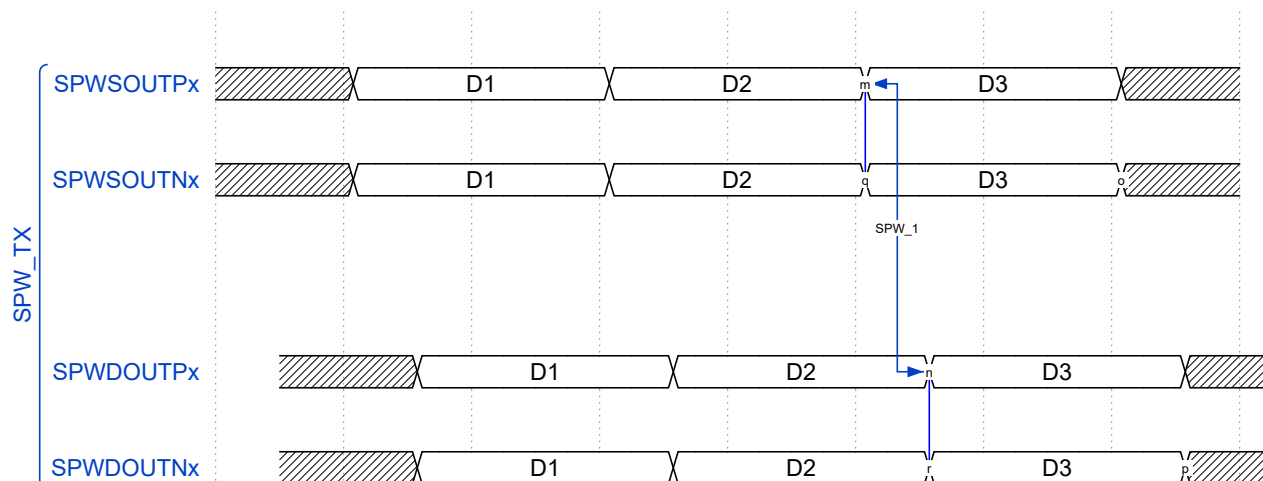


Table 50-36. Space Wire Timings (LVDS Mode)

Symbol	Parameter	Conditions	Min	Typ	Max	Unit
SPW_1	Data Strobe output max skew (absolute value)	Cdiff < 1pF)	—	—	2	ns
SPW_2	Data Strobe input min edge separation	—	1.68	—	—	ns

### 50.11.7.2 SPW TTL Characteristics

Figure 50-10. SPW RX Characteristics (TTL Mode)

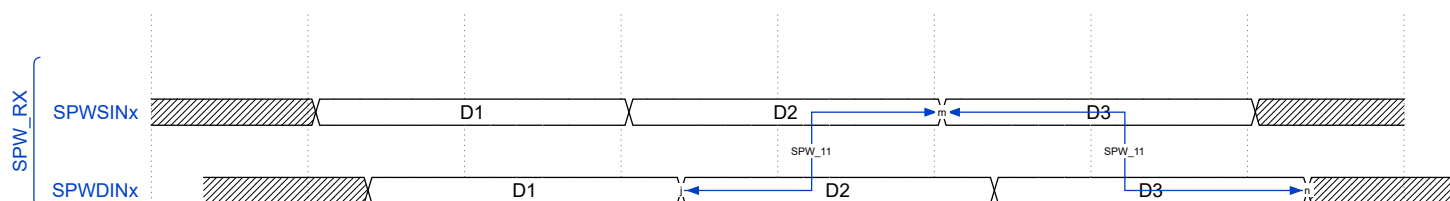


Figure 50-11. SPW TX Characteristics (TTL Mode)

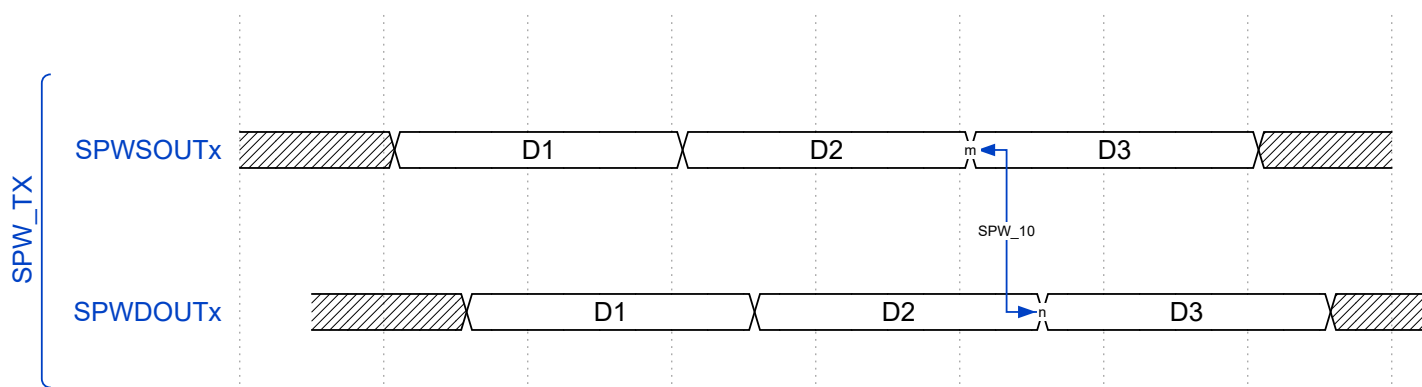
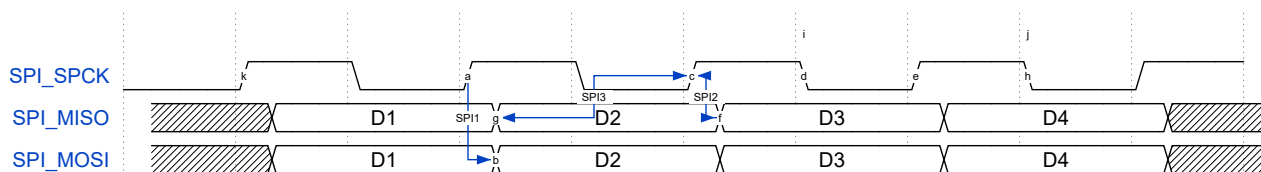


Table 50-37. Space Wire Timings (TTL Mode)

Symbol	Parameter	Conditions	Min	Typ	Max	Unit
SPW_10	Data Strobe output maximum skew (absolute value)	Cdiff < 1pF	—	—	2.38	ns
SPW_11	Data Strobe input minimum edge separation	—	2.26	—	—	ns

## 50.11.8 FlexCom SPI Characteristics

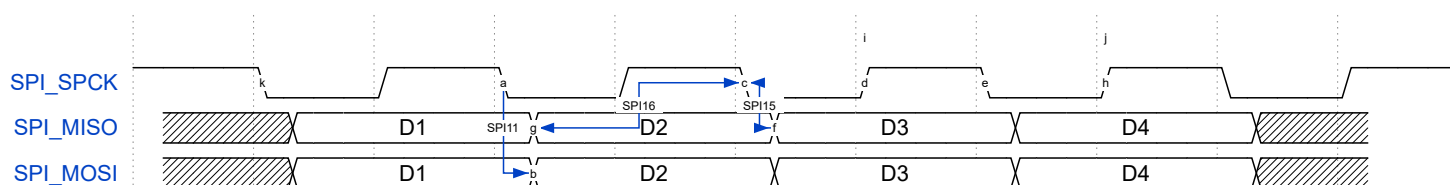
**Figure 50-12.** FlexCom—SPI Timings - Master Mode (CPOL=0 and NCPHA=0 OR CPOL=1 and NCPHA=1)



**Table 50-38.** FlexCom—SPI Timings - Master Mode (CPOL=0 and NCPHA=0 OR CPOL=1 and NCPHA=1)

Symbol	Parameter	Conditions	Min	Typ	Max	Unit
SPI1	Output delay for SPI_MISO from SPI_SPCK rising	—	$-3.4+(0.48 \times (C_{\text{mosi}} - C_{\text{spck}}) / \text{Drive})$	—	$6.8+(0.48 \times (C_{\text{mosi}} - C_{\text{spck}}) / \text{Drive})$	ns
SPI2	Hold for SPI_MISO from SPI_SPCK rising	—	0	—	—	ns
SPI3	Setup for SPI_MISO from SPI_SPCK rising	—	$24.6+(0.48 \times C_{\text{spck}} / \text{Drive})$	—	—	ns

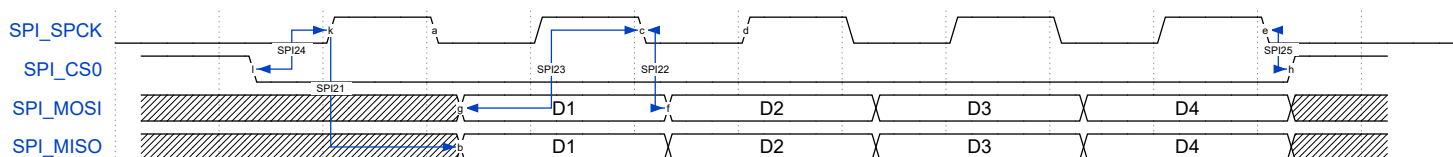
**Figure 50-13.** FlexCom—SPI Timings - Master Mode (CPOL=0 and NCPHA=1 OR CPOL=1 and NCPHA=0)



**Table 50-39.** FlexCom—SPI Timings - Master Mode (CPOL=0 and NCPHA=1 OR CPOL=1 and NCPHA=0)

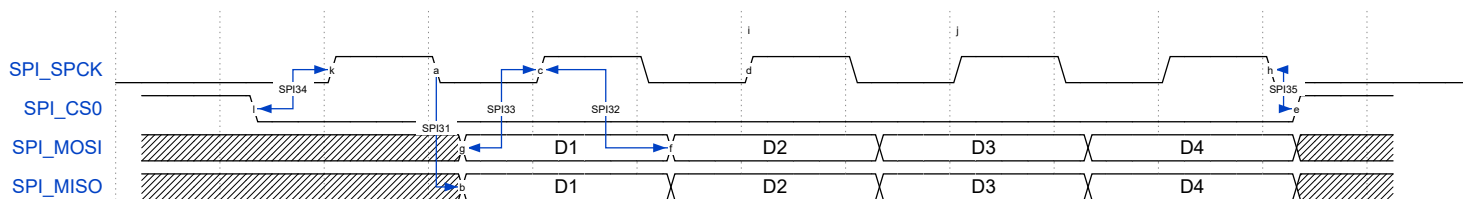
Symbol	Parameter	Conditions	Min	Typ	Max	Unit
SPI11	Output delay for SPI_MISO from SPI_SPCK falling	—	$-3.9-(0.45 \times (C_{\text{mosi}} - C_{\text{spck}}) / \text{Drive})$	—	$7+(0.47 \times (C_{\text{mosi}} - C_{\text{spck}}) / \text{Drive})$	ns
SPI15	Hold for SPI_MISO from SPI_SPCK falling	—	0	—	—	ns
SPI16	Setup for SPI_MISO from SPI_SPCK falling	—	$24+0.5 \times (5.6+C_{\text{spck}}) / \text{Drive}$	—	—	ns

**Figure 50-14.** FlexCom—SPI Timings - Slave Mode (CPOL=0 and NCPHA=0 OR CPOL=0 and NCPHA=0)



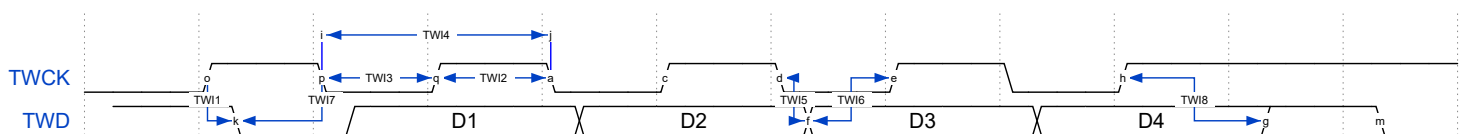
**Table 50-40.** FlexCom—SPI Timings - Slave Mode (CPOL=0 and NCPHA=0 OR CPOL=0 and NCPHA=0)

Symbol	Parameter	Conditions	Min	Typ	Max	Unit
SPI21	Output delay for SPI_MISO from SPI_SPCK rising	—	$6.6+(0.22 \times C_{\text{miso}} / \text{Drive})$	—	$25+(0.5 \times C_{\text{miso}} / \text{Drive})$	ns
SPI22	Hold for SPI_MOSI from SPI_SPCK falling	—	3	—	—	ns
SPI23	Setup for SPI_MOSI from SPI_SPCK falling	—	3	—	—	ns
SPI24	Setup for SPI_CS0 from SPI_SPCK	—	5.9	—	—	ns
SPI25	Hold for SPI_CS0 after SPI_SPCK	—	2.2	—	—	ns

**Figure 50-15.** FlexCom—SPI Timings - Slave Mode (CPOL=0 and NCPHA=1 OR CPOL=1 and NCPHA=0)**Table 50-41.** FlexCom—SPI Timings - Slave Mode (CPOL=0 and NCPHA=1 OR CPOL=1 and NCPHA=0)

Symbol	Parameter	Conditions	Min	Typ	Max	Unit
SPI31	Output delay for SPI_MISO from SPI_SPCK falling	—	$6.2+(0.22*(C_{miso}/Drive))$	—	$24.8+(0.5*(C_{miso}/Drive))$	ns
SPI32	Hold for SPI_MOSI from SPI_SPCK rising	—	2.5	—	—	ns
SPI33	Setup for SPI_MOSI from SPI_SPCK rising	—	3.2	—	—	ns
SPI34	Setup for SPI_CS0 from SPI_SPCK	—	5.9	—	—	ns
SPI35	Hold for SPI_CS0 after SPI_SPCK	—	2.2	—	—	ns

### 50.11.9 FlexCom TWI Characteristics

**Figure 50-16.** FlexCom -TWI Characteristics**Table 50-42.** FlexCom -TWI Timings

Symbol	Parameter	Conditions	Min	Typ	Max	Unit
TWI1	Output delay for TWD from TWCK rising	—	$t_{HIGH}$	—	—	ns
TWI2	TWCK LOW level	—	$((CLDIV * 2^{CKDIV})+4)*t_{MCK}$	—	—	MCK
TWI3	TWCK HIGH level	—	$((CHDIV * 2^{CKDIV})+4)*t_{MCK}$	—	—	MCK
TWI4	TWCK PERIOD	—	$((CLDIV * 2^{CKDIV})+4)*t_{MCK}$ + $((CHDIV * 2^{CKDIV})+4)*t_{MCK}$	—	—	MCK
TWI5	Hold for TWD from TWCK rising	—	0	—	$3 \times t_{CPMCK}$	ns
TWI6	Set up for TWD from TWCK rising	—	$t_{low} - 3 \times t_{CPMCK}$	—	—	ns
TWI7	Output delay for TWD from TWCK rising	—	$t_{HIGH}$	—	—	ns
TWI8	Output delay for TWD from TWCK rising	—	$t_{HIGH}$	—	—	ns

## 50.11.10 HEMC HSMC Read and Write Timings

Figure 50-17. HEMC–HSMC Timings—Read Data in NRD Controlled Mode

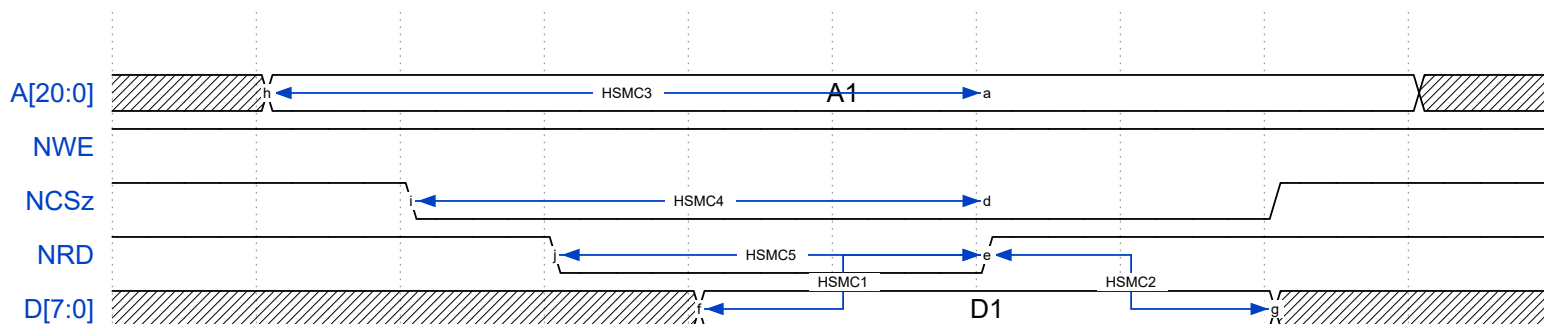


Table 50-43. HEMC–HSMC Timings—Read Data in NRD Controlled Mode

Symbol	Parameter	Conditions	Min	Typ	Max	Unit
HSMC1	setup for D[y:0] and ECC[w:0] before NRD rising	Hold	$26.7+(0.5 \cdot \text{Cnrd}/\text{Drive})$	—	—	ns
		No hold	$32.8+(0.5 \cdot \text{Cnrd}/\text{Drive})$	—	—	ns
HSMC2	Hold for D[y:0] and ECC[w:0] after NRD rising	—	0	—	—	ns
HSMC3	A[x:0] valid before NRD rising	—	$(\text{NRD\_SETUP} + \text{NRD\_PULSE}) \cdot t_{\text{MCK}} - 12.1 - (0.48 \cdot (\text{Cnrd} - \text{Caddr})/\text{Drive})$	—	—	ns
HSMC4	NCSz valid before NRD rising	—	$(\text{NRD\_SETUP} + \text{NRD\_PULSE} - \text{NCS\_RD\_SETUP}) \cdot t_{\text{MCK}} - 5.4 - (0.48 \cdot (\text{Cnrd} - \text{Cncs})/\text{Drive})$	—	—	ns
HSMC5	NRD pulse width	—	$(\text{NRD\_PULSE}) \cdot t_{\text{MCK}} - 2.7$	—	—	ns

Figure 50-18. HEMC–HSMC Timings—Read Data in NCS Controlled Mode

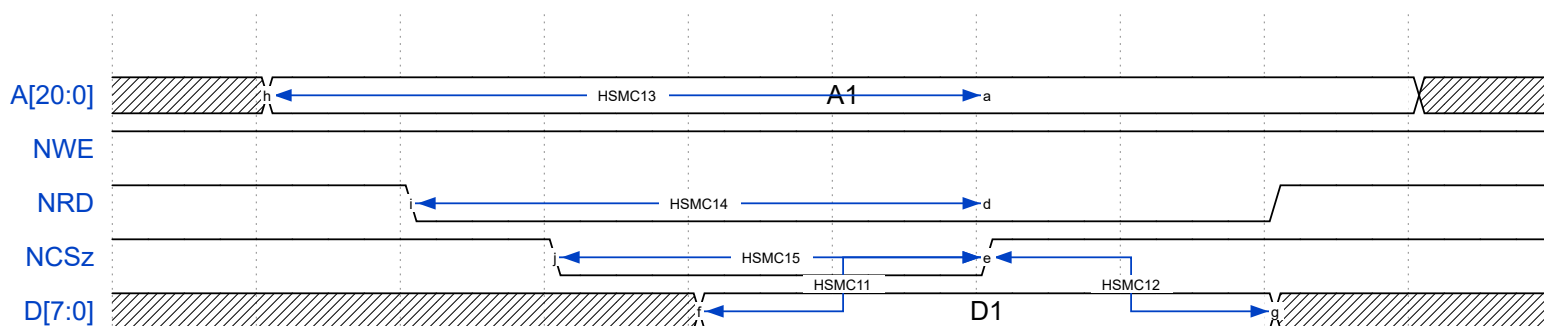


Table 50-44. HEMC–HSMC Timings—Read Data in NCS Controlled Mode

Symbol	Parameter	Conditions	Min	Typ	Max	Unit
HSMC11	Setup for D[y:0] and ECC[w:0] before NCSz rising	Hold	$26.7+(0.5 \cdot \text{Cncs}/\text{Drive})$	—	—	ns
		No hold	$32.8+(0.5 \cdot \text{Cncs}/\text{Drive})$	—	—	ns
HSMC12	Hold for D[y:0] and ECC[w:0] after NCSz rising	—	0	—	—	ns
HSMC13	A[x:0] valid before NCSz rising	—	$(\text{NCS\_RD\_SETUP} + \text{NCS\_RD\_PULSE}) \cdot t_{\text{MCK}} - 11 - (0.48 \cdot (\text{Cncs} - \text{Caddr})/\text{Drive})$	—	—	ns
HSMC14	NRD valid before NCSz rising	—	$(\text{NCS\_RD\_SETUP} + \text{NCS\_RD\_PULSE} - \text{NRD\_SETUP}) \cdot t_{\text{MCK}} - 0.3 - (0.45 \cdot (\text{Cncs} - \text{Cnrd})/\text{Drive})$	—	—	ns

.....continued

Symbol	Parameter	Conditions	Min	Typ	Max	Unit
HSMC15	NCSz pulse width	—	$(NCS\_RD\_PULSE)*t_{MCK}-5$	—	—	ns

Figure 50-19. HEMC–HSMC Timings—Write Data in NCS Controlled Mode

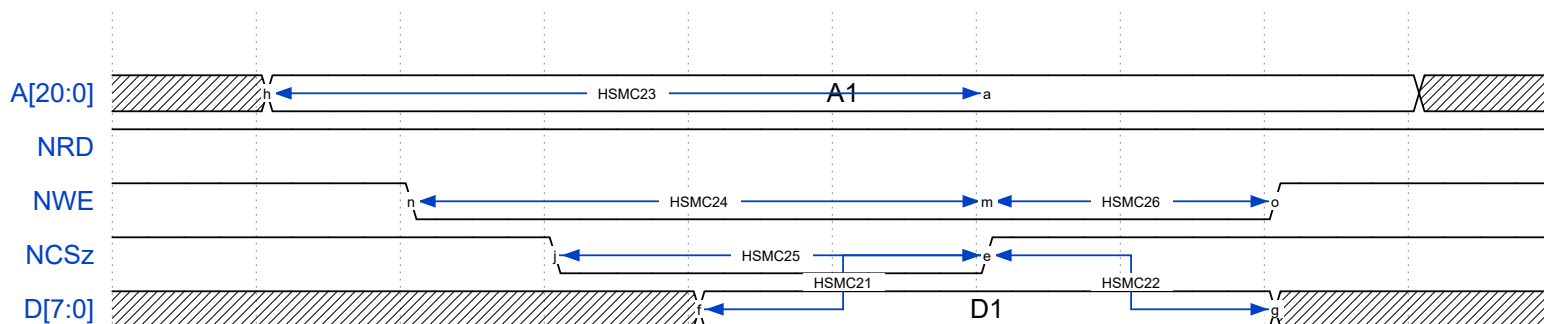


Table 50-45. HEMC–HSMC Timings—Write Data in NCS Controlled Mode

Symbol	Parameter	Conditions	Min	Typ	Max	Unit
HSMC21	Setup for D[y:0] and ECC[w:0] before NCSz rising	—	$NCS\_WR\_PULSE*t_{MCK}-12-(0.48*(Cdata-Cncs)/Drive)$	—	—	ns
HSMC22	Hold for D[y:0] and ECC[w:0] after NCSz rising	—	$NCS\_WR\_HOLD*t_{MCK}-0.5-0.37*Cncs/Drive$	—	—	ns
HSMC23	A[x:0] valid before NCSz rising	—	$(NCS\_WR\_PULSE+NCS\_WR\_SETUP)*t_{MCK}-12.7-0.48*(Cncs-Caddr)/Drive$	—	—	ns
HSMC24	NWE valid before NCSz rising	—	$(NCS\_WR\_PULSE+NCS\_WR\_SETUP-NWE\_SETUP)*t_{MCK}-0.1-(0.47*(Cnwe-Cncs)/Drive)$	—	—	ns
HSMC25	NCSz pulse width	—	$(NCS\_WR\_PULSE)*t_{MCK}-5$	—	—	ns
HSMC26	NWE valid after NCSz rising	—	$(NWE\_PULSE-(NCS\_WR\_PULSE+NCS\_WR\_SETUP-NWE\_SETUP))*t_{MCK}-6.3-(0.45*(Cncs-Cnwe)/Drive)$	—	—	ns

Figure 50-20. HEMC–HSMC Timings—Write Data in NWE Controlled Mode

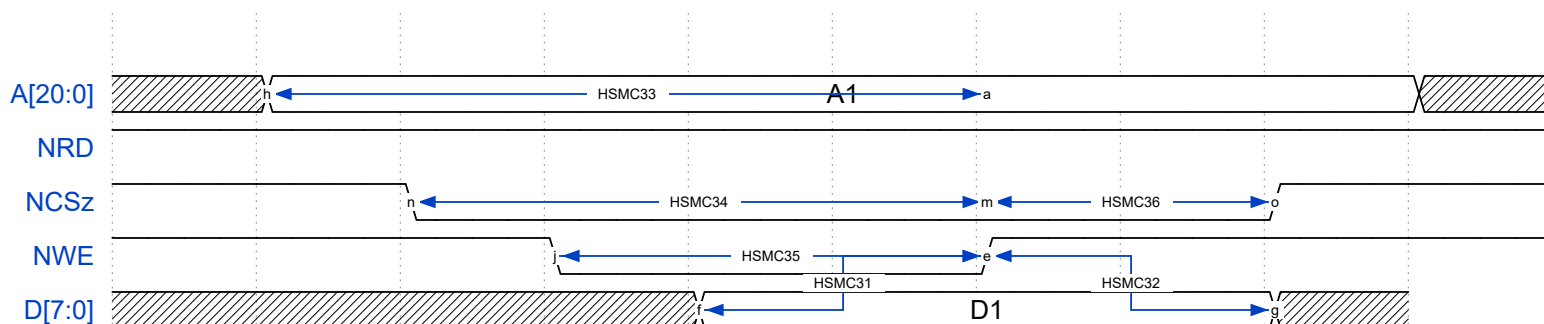


Table 50-46. HEMC–HSMC Timings—Write Data in NWE Controlled Mode

Symbol	Parameter	Conditions	Min	Typ	Max	Unit
HSMC31	Setup for D[y:0] and ECC[w:0] before NWE/NWR[4:0] rising	—	$NWE\_PULSE*t_{MCK}-14.1-(0.47*(Cdata-Cnwe)/Drive)$	—	—	ns
HSMC32	Hold for D[y:0] and ECC[w:0] after NWE/NWR[4:0] rising	—	$NWE\_HOLD*t_{MCK}-0.2-(0.46*Cnwe/Drive)$	—	—	ns
HSMC33	A[x:0] valid before NWE/NWR[4:0] rising	—	$(NWE\_PULSE+NWE\_SETUP)*t_{MCK}-12.7-(0.48*(Cnwe-Caddr)/Drive)$	—	—	ns

.....continued

Symbol	Parameter	Conditions	Min	Typ	Max	Unit
HSMC34	NCSz valid before NWE/NWR[4:0] rising	—	$(NWE\_PULSE + NWE\_SETUP - NCS\_WR\_SETUP) * t_{MCK} - 5.7 - (0.48 * (CnCS - Cnwe) / Drive)$	—	—	ns
HSMC35	NWE pulse width	—	$(NWE\_PULSE) * t_{MCK} - 3.1$	—	—	ns
HSMC36	NCSz valid after NWE/NWR[4:0] rising	—	$(NCS\_WR\_PULSE - (NWE\_PULSE + NWE\_SETUP - NCS\_WR\_SETUP)) * t_{MCK} - 0.1 - (0.43 * (Cnwe - CnCS) / Drive)$	—	—	ns

### 50.11.11 PCC Characteristics

Figure 50-21. PCC Characteristics

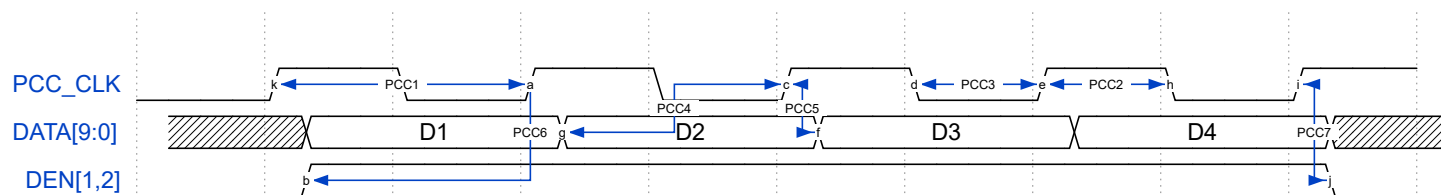


Table 50-47. PCC Timings

Symbol	Parameter	Conditions	Min	Typ	Max	Unit
PCC1	External PCC data input clock period	—	40	—	—	ns
PCC2	PCC data clock input high time	—	20	—	—	ns
PCC3	PCC data clock input low time	—	20	—	—	ns
PCC4	Clock to data set up time	—	5	—	—	ns
PCC5	Clock to data hold time	—	2	—	—	ns
PCC6	Data enable set up time	—	5	—	—	ns
PCC7	Data enable hold time	—	2	—	—	ns

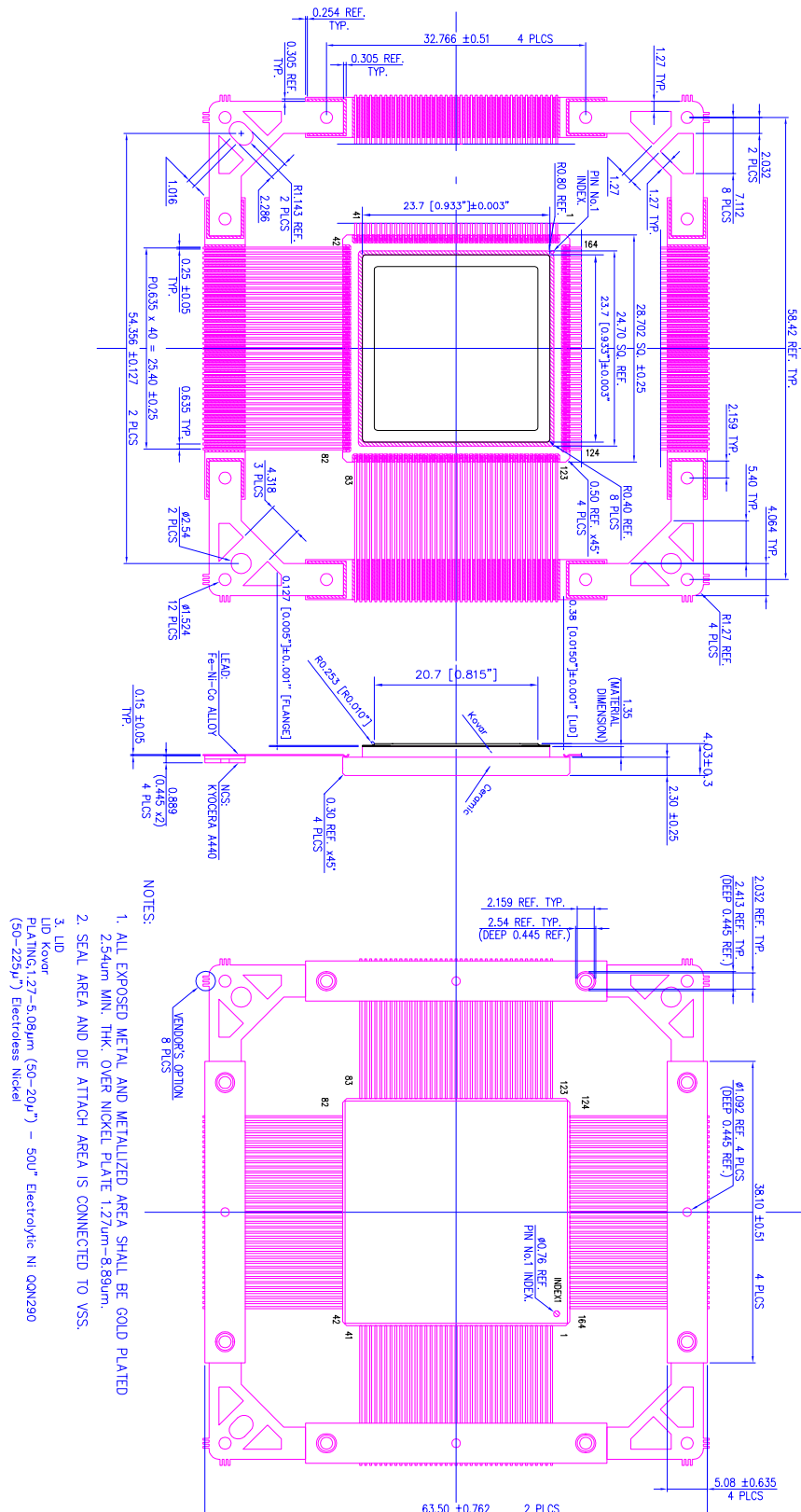
## 51. Mechanical Characteristics

For the most current package drawings, please see the Microchip Packaging Specification located at <http://www.microchip.com/packaging>.



### 51.1 164-pin CQFP Package

Figure 51-1. 164-pin CQFP Package



**Table 51-1.** 164-pin CQFP Package Maximum Weight

15	mg
----	----

**Table 51-2.** 164-pin CQFP Package Reference

JEDEC Drawing Reference	MO-113
J-STD-609 Classification	e4



**Table 51-3.** 484-ball TFBGA Package Maximum Weight

1.5	mg
-----	----

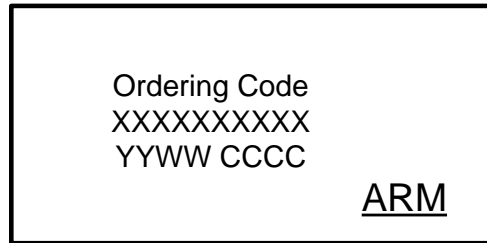
**Table 51-4.** 484-ball TFBGA Package Reference

JEDEC Drawing Reference	MO-192
J-STD-609 Classification	e1

## 52. Package Marking Information

All devices are marked with a company logo and the ordering code.

Additional marking is as follows:



where,

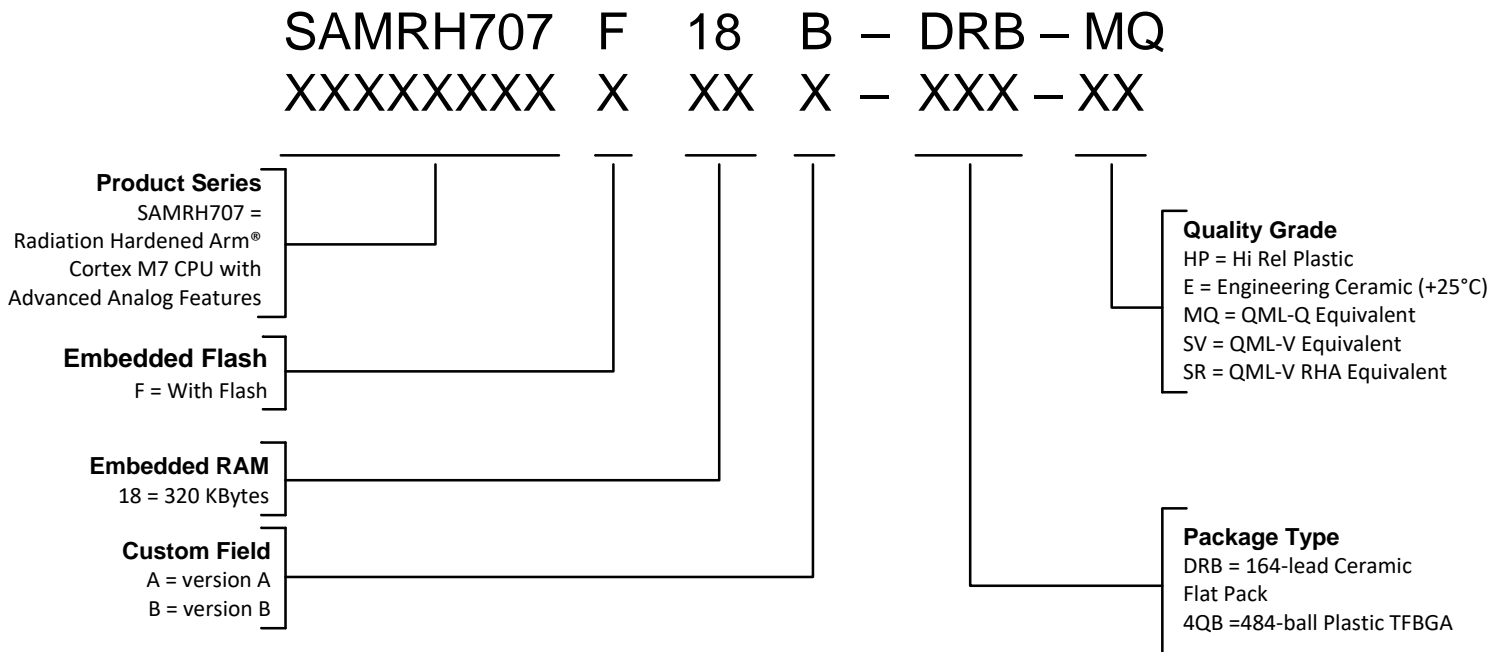
- “YY”: Manufactory year
- “WW”: Manufactory week
- “Ordering Code”: Ordering code
- “CCCC”: Assembly country code (optional)
- “XXXXXXXXXX”: Lot number

## 53. Ordering Information

This section provides ordering information for SAMRH707.

### 53.1 Product Identification System

Figure 53-1. Ordering Information



### 53.2 Valid Combinations

Contact your authorized Microchip Technology sales representative for information on SAMRH707 device availability and ordering.

Table 53-1. SAMRH707 Ordering Information

Ordering Code	Package	Carrier Type	Operating Temperature Range
SAMRH707F18B-DRB-E	CQFP164	—	+25°C
SAMRH707F18B-4QB-HP	TFBGA484	—	-55°C to +125°C
SAMRH707F18B-DRB-MQ	CQFP164	—	-55°C to +125°C
SAMRH707F18B-DRB-SV	CQFP164	—	-55°C to +125°C
SAMRH707F18B-DRB-SR	CQFP164	—	-55°C to +125°C

## 54. Revision History

### 54.1 Revision E - December 2023

- Replaced the P/CBGA484 package name with TFBGA484 across the document.
- Added the CFG3 signal name in the Signal Description List table. Updated the CFG2 and BOOT\_MODE0 - BOOT\_MODE1 signal names as needed. See [Table 3-1](#).
- Updated and added new signal names in ADCC and DACC References. See [Table 3-1](#).
- Replaced the Additional Power Supply table with new details. See [Table 6-2](#).
- Removed the FLEXRAMECC and TCMHECC names from the Bits 15:8 – PERIID[7:0] Peripheral Identifier section.
- Updated the SpaceWire Link Names in the Signal Description table. See [Table 3-1](#).
- Added the Schematic Checklist chapter. See [49. Schematic Checklist](#).
- Removed the DAC option P/CBGA484)) from the DC Characteristics table. Updated the values for R<sub>PULLUP</sub> and R<sub>PULLDOWN</sub> values. See [50.2. DC Characteristics](#).
- Updated the E<sub>O</sub> and E<sub>G</sub> values in the Static Performance Characteristics (Single-Ended Mode) table. See [Table 50-26](#) and [Table 50-27](#).
- Deleted a Note information in the [Power-Up](#) section.
- Updated ESD : HBM and ESD:CDM values. See [Table 50-1](#).

### 54.2 Revision D - March 2023

- Updated the Fault Tolerance section in the Features section
- Updated the Pin Description table in the Signal Multiplexing section
- Updated the Pins Used for Boot Mode Selection table in the ROM Bootloader Selection section
- Updated the 32.768 kHz External Slow Clock Failure Detection Reset Timing Diagram in the 32.768 kHz External Slow Clock Failure Detection Reset section
- Updated the Input Glitch and Debouncing Filters section
- Updated voltage reference in Analog to Digital Converter Controller (ADCC) section in the Signal Description List table
- Added Product Identification System section

### 54.3 Revision C - July 2022

- Updated the Features section with Plastic TFBGA 484-balls
- Updated SAMRH707 Block Diagram
- Added 484-ball TFBGA Package and 484 TFBGA Pinout sections
- Updated the Additional Power Supply table in the Power Supply and Power Control section
- Updated Calibration Bits to Factory Trim Values for Internal Oscillators
- Updated the TM/TC Links Definition and Selection section
- Updated the Memory Map and Internal SRAM table in the Address Mapping section
- Removed the ECC12\_ENABLE bitfield in HEMC Control Register Chip Select 0 and HEMC Control Register Chip Select 1
- Updated the Description section of 1553 Interface
- Updated the Controller Area Network module
- Update the Interrupt Sources section in the Product Dependencies section
- Updated the TRGSEL[2:0] Trigger Selection bitfield in DACC Mode Register
- Updated the Analog Outputs table in the Electrical Characteristics section
- Updated the Ordering Information section

## 54.4 Revision B - August 2021

- Added the Electrical Characteristics section
- Updated Bus Matrix Slave Configuration Register
- Updated Bus Matrix Priority Register A For Slave
- Updated Bus Matrix Priority Register B for Slave
- Updated Protection Slave Register
- Updated Protected Areas Split Slave Register
- Updated BOOT Configuration Register
- Updated ADC Channel Offset Register
- Updated Reset value for the following registers: RTC Status Register, Real-time Timer Value, Register, Real-time Timer Status Register, MCAN Test Register, PWM Fault Status Register

## 54.5 Revision A - June 2020

This is the initial released version of this document.



## Microchip Information

### The Microchip Website

Microchip provides online support via our website at [www.microchip.com/](http://www.microchip.com/). This website is used to make files and information easily available to customers. Some of the content available includes:

- **Product Support** – Data sheets and errata, application notes and sample programs, design resources, user's guides and hardware support documents, latest software releases and archived software
- **General Technical Support** – Frequently Asked Questions (FAQs), technical support requests, online discussion groups, Microchip design partner program member listing
- **Business of Microchip** – Product selector and ordering guides, latest Microchip press releases, listing of seminars and events, listings of Microchip sales offices, distributors and factory representatives

### Product Change Notification Service

Microchip's product change notification service helps keep customers current on Microchip products. Subscribers will receive email notification whenever there are changes, updates, revisions or errata related to a specified product family or development tool of interest.

To register, go to [www.microchip.com/pcn](http://www.microchip.com/pcn) and follow the registration instructions.

### Customer Support

Users of Microchip products can receive assistance through several channels:

- Distributor or Representative
- Local Sales Office
- Embedded Solutions Engineer (ESE)
- Technical Support

Customers should contact their distributor, representative or ESE for support. Local sales offices are also available to help customers. A listing of sales offices and locations is included in this document.

Technical support is available through the website at: [www.microchip.com/support](http://www.microchip.com/support)

### Microchip Devices Code Protection Feature

Note the following details of the code protection feature on Microchip products:

- Microchip products meet the specifications contained in their particular Microchip Data Sheet.
- Microchip believes that its family of products is secure when used in the intended manner, within operating specifications, and under normal conditions.
- Microchip values and aggressively protects its intellectual property rights. Attempts to breach the code protection features of Microchip product is strictly prohibited and may violate the Digital Millennium Copyright Act.
- Neither Microchip nor any other semiconductor manufacturer can guarantee the security of its code. Code protection does not mean that we are guaranteeing the product is "unbreakable". Code protection is constantly evolving. Microchip is committed to continuously improving the code protection features of our products.

### Legal Notice

This publication and the information herein may be used only with Microchip products, including to design, test, and integrate Microchip products with your application. Use of this information in any other manner violates these terms. Information regarding device applications is provided only for your convenience and may be superseded by updates. It is your responsibility to ensure

that your application meets with your specifications. Contact your local Microchip sales office for additional support or, obtain additional support at [www.microchip.com/en-us/support/design-help/client-support-services](http://www.microchip.com/en-us/support/design-help/client-support-services).

THIS INFORMATION IS PROVIDED BY MICROCHIP "AS IS". MICROCHIP MAKES NO REPRESENTATIONS OR WARRANTIES OF ANY KIND WHETHER EXPRESS OR IMPLIED, WRITTEN OR ORAL, STATUTORY OR OTHERWISE, RELATED TO THE INFORMATION INCLUDING BUT NOT LIMITED TO ANY IMPLIED WARRANTIES OF NON-INFRINGEMENT, MERCHANTABILITY, AND FITNESS FOR A PARTICULAR PURPOSE, OR WARRANTIES RELATED TO ITS CONDITION, QUALITY, OR PERFORMANCE.

IN NO EVENT WILL MICROCHIP BE LIABLE FOR ANY INDIRECT, SPECIAL, PUNITIVE, INCIDENTAL, OR CONSEQUENTIAL LOSS, DAMAGE, COST, OR EXPENSE OF ANY KIND WHATSOEVER RELATED TO THE INFORMATION OR ITS USE, HOWEVER CAUSED, EVEN IF MICROCHIP HAS BEEN ADVISED OF THE POSSIBILITY OR THE DAMAGES ARE FORESEEABLE. TO THE FULLEST EXTENT ALLOWED BY LAW, MICROCHIP'S TOTAL LIABILITY ON ALL CLAIMS IN ANY WAY RELATED TO THE INFORMATION OR ITS USE WILL NOT EXCEED THE AMOUNT OF FEES, IF ANY, THAT YOU HAVE PAID DIRECTLY TO MICROCHIP FOR THE INFORMATION.

Use of Microchip devices in life support and/or safety applications is entirely at the buyer's risk, and the buyer agrees to defend, indemnify and hold harmless Microchip from any and all damages, claims, suits, or expenses resulting from such use. No licenses are conveyed, implicitly or otherwise, under any Microchip intellectual property rights unless otherwise stated.

## Trademarks

The Microchip name and logo, the Microchip logo, Adaptec, AVR, AVR logo, AVR Freaks, BesTime, BitCloud, CryptoMemory, CryptoRF, dsPIC, flexPWR, HELDO, IGLOO, JukeBlox, KeeLoq, Klear, LANCheck, LinkMD, maXStylus, maXTouch, MediaLB, megaAVR, Microsemi, Microsemi logo, MOST, MOST logo, MPLAB, OptoLyzer, PIC, picoPower, PICSTART, PIC32 logo, PolarFire, Prochip Designer, QTouch, SAM-BA, SenGenuity, SpyNIC, SST, SST Logo, SuperFlash, Symmetricom, SyncServer, Tachyon, TimeSource, tinyAVR, UNI/O, Vectron, and XMEGA are registered trademarks of Microchip Technology Incorporated in the U.S.A. and other countries.

AgileSwitch, APT, ClockWorks, The Embedded Control Solutions Company, EtherSynch, Flashtec, Hyper Speed Control, HyperLight Load, Libero, motorBench, mTouch, Powermite 3, Precision Edge, ProASIC, ProASIC Plus, ProASIC Plus logo, Quiet-Wire, SmartFusion, SyncWorld, Temux, TimeCesium, TimeHub, TimePictra, TimeProvider, TrueTime, and ZL are registered trademarks of Microchip Technology Incorporated in the U.S.A.

Adjacent Key Suppression, AKS, Analog-for-the-Digital Age, Any Capacitor, AnyIn, AnyOut, Augmented Switching, BlueSky, BodyCom, Clockstudio, CodeGuard, CryptoAuthentication, CryptoAutomotive, CryptoCompanion, CryptoController, dsPICDEM, dsPICDEM.net, Dynamic Average Matching, DAM, ECAN, Espresso T1S, EtherGREEN, GridTime, IdealBridge, In-Circuit Serial Programming, ICSP, INICnet, Intelligent Paralleling, IntelliMOS, Inter-Chip Connectivity, JitterBlocker, Knob-on-Display, KoD, maxCrypto, maxView, memBrain, Mindi, MiWi, MPASM, MPF, MPLAB Certified logo, MPLIB, MPLINK, MultiTRAK, NetDetach, Omniscient Code Generation, PICDEM, PICDEM.net, PICkit, PICtail, PowerSmart, PureSilicon, QMatrix, REAL ICE, Ripple Blocker, RTAX, RTG4, SAM-ICE, Serial Quad I/O, simpleMAP, SimpliPHY, SmartBuffer, SmartHLS, SMART-I.S., storClad, SQL, SuperSwitcher, SuperSwitcher II, Switchtec, SynchroPHY, Total Endurance, Trusted Time, TSHARC, USBCheck, VariSense, VectorBlox, VeriPHY, ViewSpan, WiperLock, XpressConnect, and ZENA are trademarks of Microchip Technology Incorporated in the U.S.A. and other countries.

SQTP is a service mark of Microchip Technology Incorporated in the U.S.A.

The Adaptec logo, Frequency on Demand, Silicon Storage Technology, and Symmcom are registered trademarks of Microchip Technology Inc. in other countries.

GestIC is a registered trademark of Microchip Technology Germany II GmbH & Co. KG, a subsidiary of Microchip Technology Inc., in other countries.

All other trademarks mentioned herein are property of their respective companies.

© 2023, Microchip Technology Incorporated and its subsidiaries. All Rights Reserved.

ISBN: 978-1-6683-3699-1

AMBA, Arm, Arm7, Arm7TDMI, Arm9, Arm11, Artisan, big.LITTLE, Cordio, CoreLink, CoreSight, Cortex, DesignStart, DynamIQ, Jazelle, Keil, Mali, Mbed, Mbed Enabled, NEON, POP, RealView, SecurCore, Socrates, Thumb, TrustZone, ULINK, ULINK2, ULINK-ME, ULINK-PLUS, ULINKpro,  $\mu$ Vision, Versatile are trademarks or registered trademarks of Arm Limited (or its subsidiaries) in the US and/or elsewhere.

## Quality Management System

For information regarding Microchip's Quality Management Systems, please visit [www.microchip.com/quality](http://www.microchip.com/quality).

# Worldwide Sales and Service

AMERICAS	ASIA/PACIFIC	ASIA/PACIFIC	EUROPE
<p><b>Corporate Office</b> 2355 West Chandler Blvd. Chandler, AZ 85224-6199 Tel: 480-792-7200 Fax: 480-792-7277 Technical Support: <a href="http://www.microchip.com/support">www.microchip.com/support</a> Web Address: <a href="http://www.microchip.com">www.microchip.com</a></p> <p><b>Atlanta</b> Duluth, GA Tel: 678-957-9614 Fax: 678-957-1455</p> <p><b>Austin, TX</b> Tel: 512-257-3370</p> <p><b>Boston</b> Westborough, MA Tel: 774-760-0087 Fax: 774-760-0088</p> <p><b>Chicago</b> Itasca, IL Tel: 630-285-0071 Fax: 630-285-0075</p> <p><b>Dallas</b> Addison, TX Tel: 972-818-7423 Fax: 972-818-2924</p> <p><b>Detroit</b> Novi, MI Tel: 248-848-4000</p> <p><b>Houston, TX</b> Tel: 281-894-5983</p> <p><b>Indianapolis</b> Noblesville, IN Tel: 317-773-8323 Fax: 317-773-5453 Tel: 317-536-2380</p> <p><b>Los Angeles</b> Mission Viejo, CA Tel: 949-462-9523 Fax: 949-462-9608 Tel: 951-273-7800</p> <p><b>Raleigh, NC</b> Tel: 919-844-7510</p> <p><b>New York, NY</b> Tel: 631-435-6000</p> <p><b>San Jose, CA</b> Tel: 408-735-9110 Tel: 408-436-4270</p> <p><b>Canada - Toronto</b> Tel: 905-695-1980 Fax: 905-695-2078</p>	<p><b>Australia - Sydney</b> Tel: 61-2-9868-6733</p> <p><b>China - Beijing</b> Tel: 86-10-8569-7000</p> <p><b>China - Chengdu</b> Tel: 86-28-8665-5511</p> <p><b>China - Chongqing</b> Tel: 86-23-8980-9588</p> <p><b>China - Dongguan</b> Tel: 86-769-8702-9880</p> <p><b>China - Guangzhou</b> Tel: 86-20-8755-8029</p> <p><b>China - Hangzhou</b> Tel: 86-571-8792-8115</p> <p><b>China - Hong Kong SAR</b> Tel: 852-2943-5100</p> <p><b>China - Nanjing</b> Tel: 86-25-8473-2460</p> <p><b>China - Qingdao</b> Tel: 86-532-8502-7355</p> <p><b>China - Shanghai</b> Tel: 86-21-3326-8000</p> <p><b>China - Shenyang</b> Tel: 86-24-2334-2829</p> <p><b>China - Shenzhen</b> Tel: 86-755-8864-2200</p> <p><b>China - Suzhou</b> Tel: 86-186-6233-1526</p> <p><b>China - Wuhan</b> Tel: 86-27-5980-5300</p> <p><b>China - Xian</b> Tel: 86-29-8833-7252</p> <p><b>China - Xiamen</b> Tel: 86-592-2388138</p> <p><b>China - Zhuhai</b> Tel: 86-756-3210040</p>	<p><b>India - Bangalore</b> Tel: 91-80-3090-4444</p> <p><b>India - New Delhi</b> Tel: 91-11-4160-8631</p> <p><b>India - Pune</b> Tel: 91-20-4121-0141</p> <p><b>Japan - Osaka</b> Tel: 81-6-6152-7160</p> <p><b>Japan - Tokyo</b> Tel: 81-3-6880-3770</p> <p><b>Korea - Daegu</b> Tel: 82-53-744-4301</p> <p><b>Korea - Seoul</b> Tel: 82-2-554-7200</p> <p><b>Malaysia - Kuala Lumpur</b> Tel: 60-3-7651-7906</p> <p><b>Malaysia - Penang</b> Tel: 60-4-227-8870</p> <p><b>Philippines - Manila</b> Tel: 63-2-634-9065</p> <p><b>Singapore</b> Tel: 65-6334-8870</p> <p><b>Taiwan - Hsin Chu</b> Tel: 886-3-577-8366</p> <p><b>Taiwan - Kaohsiung</b> Tel: 886-7-213-7830</p> <p><b>Taiwan - Taipei</b> Tel: 886-2-2508-8600</p> <p><b>Thailand - Bangkok</b> Tel: 66-2-694-1351</p> <p><b>Vietnam - Ho Chi Minh</b> Tel: 84-28-5448-2100</p>	<p><b>Austria - Wels</b> Tel: 43-7242-2244-39 Fax: 43-7242-2244-393</p> <p><b>Denmark - Copenhagen</b> Tel: 45-4485-5910 Fax: 45-4485-2829</p> <p><b>Finland - Espoo</b> Tel: 358-9-4520-820</p> <p><b>France - Paris</b> Tel: 33-1-69-53-63-20 Fax: 33-1-69-30-90-79</p> <p><b>Germany - Garching</b> Tel: 49-8931-9700</p> <p><b>Germany - Haan</b> Tel: 49-2129-3766400</p> <p><b>Germany - Heilbronn</b> Tel: 49-7131-72400</p> <p><b>Germany - Karlsruhe</b> Tel: 49-721-625370</p> <p><b>Germany - Munich</b> Tel: 49-89-627-144-0 Fax: 49-89-627-144-44</p> <p><b>Germany - Rosenheim</b> Tel: 49-8031-354-560</p> <p><b>Israel - Ra'anana</b> Tel: 972-9-744-7705</p> <p><b>Italy - Milan</b> Tel: 39-0331-742611 Fax: 39-0331-466781</p> <p><b>Italy - Padova</b> Tel: 39-049-7625286</p> <p><b>Netherlands - Drunen</b> Tel: 31-416-690399 Fax: 31-416-690340</p> <p><b>Norway - Trondheim</b> Tel: 47-72884388</p> <p><b>Poland - Warsaw</b> Tel: 48-22-3325737</p> <p><b>Romania - Bucharest</b> Tel: 40-21-407-87-50</p> <p><b>Spain - Madrid</b> Tel: 34-91-708-08-90 Fax: 34-91-708-08-91</p> <p><b>Sweden - Gothenberg</b> Tel: 46-31-704-60-40</p> <p><b>Sweden - Stockholm</b> Tel: 46-8-5090-4654</p> <p><b>UK - Wokingham</b> Tel: 44-118-921-5800 Fax: 44-118-921-5820</p>