



Standard Antenna Mounting Fixture, 0.75" Diameter Flange

Description:

Model SAX-MT0750-C1 is a mounting fixture for antennas with UG385/U and UG387/U standard flanges. The fixture is designed and fabricated by using durable and microwave friendly plastic material to offer minimum reflection. The fixture has a standard 1/4-20 threaded hole for convenient tripod mounting. It also has four through holes for 6-32 screws for non-tripod mountings. The mounting fixtures for the standard horns with UG383/U, UG599/U and UG595/U etc. flanges are offered under different model numbers.



Features:

- Low Microwave Interference
- UG385/U and UG387/U Flange Mount
- 1/4-20 Threaded Hole for Tripod Mount
- Through Holes for Non-Tripod Mount

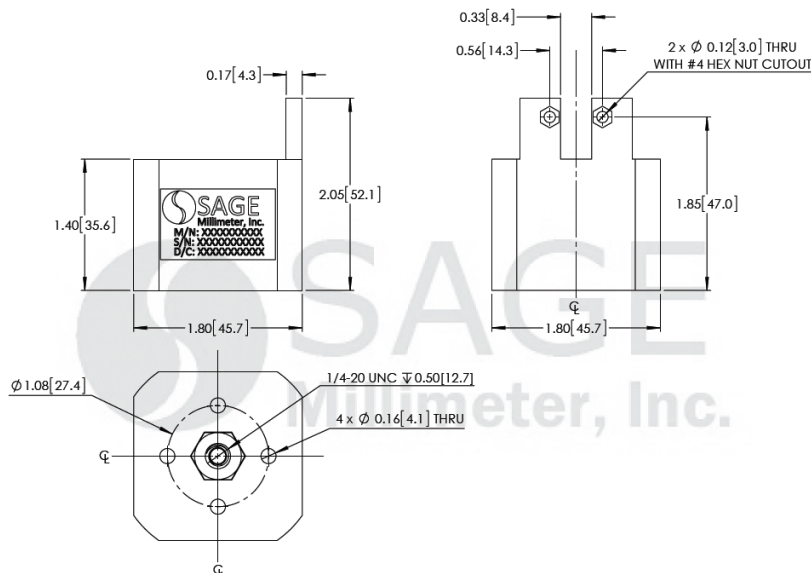
Applications:

- Antenna Mount
- Antenna Range
- Test Lab
- Waveguide Support

Mechanical Specifications:

Item	Specification
Material	Plastic
Weight	2.5 Oz
Dimensions	1.8" (W) x 2.05" (H)
Outline	AX-MT0750-C

Mechanical Outline: (Unless otherwise specified, all dimensions are in inches [millimeters])



Note:

- SAGE Millimeter, Inc. reserves the right to change the information presented without notice.



www.sagemillimeter.com | 3043 Kashiwa Street, Torrance, CA 90505
 Phone: 424-757-0168 | Fax: 424-757-0188 | Email: sales@sagemillimeter.com