

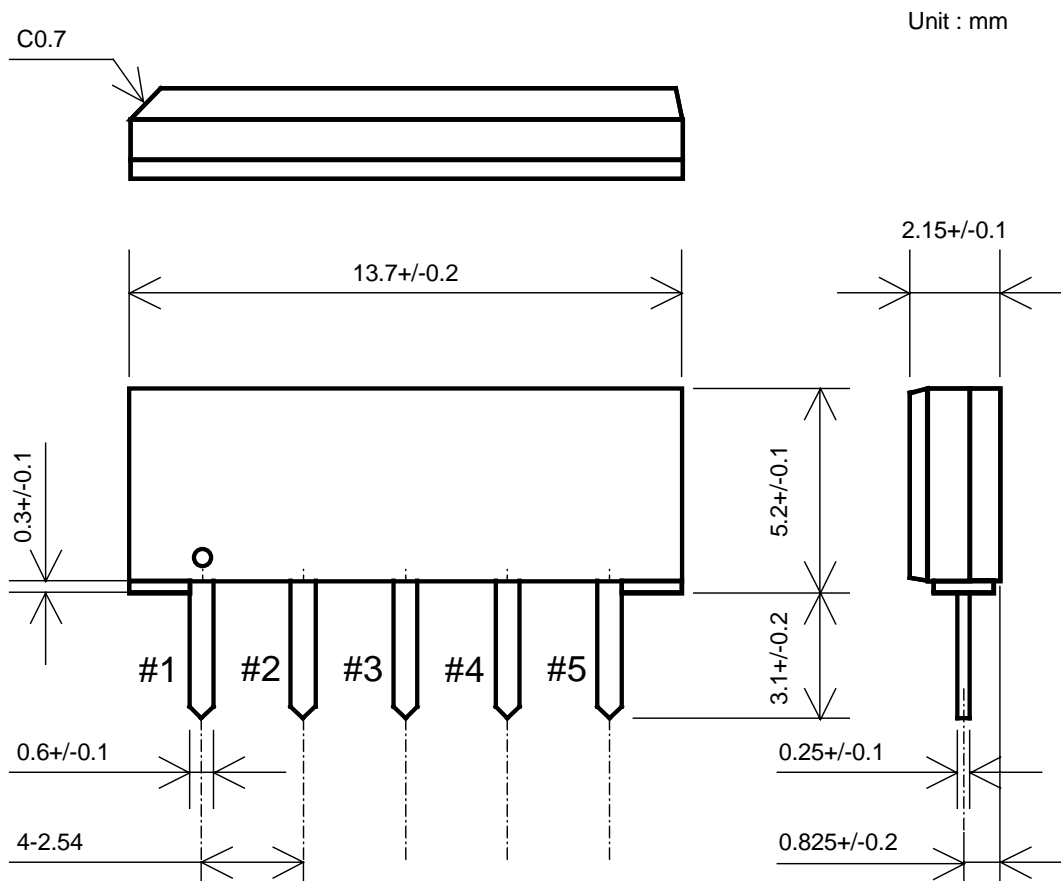
Customer Name	<b>Standard specification</b>	FUJITSU MEDIA DEVICES LIMITED	
Application	IF Filter for DAB		
Center Frequency	38.912 MHz	DATE	Jun. 27 2003
FMD Part Number	SBF0402GPL	Version 1.3	

**Table 1 Electrical Specification (Ta=25(45)°C)**

Items	Conditions	Specification			Unit	Remarks
		Min.	Typ.	Max.		
Center frequency		–	38.912	–	MHz	
Insertion Loss	38.926 MHz	17.8	19.3	20.8	dB	
Pass bandwidth	3 dB	–	1.5	–	MHz	
	30 dB	–	2.6	–	MHz	
Relative level	37.956(37.942) MHz	–	- 8.5	–	dB	
	38.926(38.912) MHz	–	0	–	dB	Reference
	39.896(39.882) MHz	–	- 8.5	–	dB	
	30.014 ~ 36.024 (30.00 ~ 36.01) MHz	–	-50	-43	dB	
	36.024 ~ 37.224 (36.01 ~ 37.21) MHz	–	-45	-38	dB	
	40.624 ~ 41.824 (40.61 ~ 41.81) MHz	–	-41	-37	dB	
	41.824 ~ 50.014 (41.81 ~ 50.00) MHz	–	-46	-41	dB	
Amplitude ripple (p-p)	38.626 ~ 39.226 (38.612 ~ 39.212) MHz	–	0.4	1.0	dB	
Group delay ripple (p-p)	38.126 ~ 39.726 (38.112 ~ 39.712) MHz	–	47	70	ns	
Input Capacitance	Cin ( 1.0 MHz)	–	28.3	–	pF	
Output Capacitance	Cout ( 1.0 MHz)	–	17.1	–	pF	
Temperature coefficient		–	-18	–	ppm/°C	

Customer Name	<b>Standard specification</b>	FUJITSU MEDIA DEVICES LIMITED	
Application	IF Filter for DAB		
Center Frequency	38.912 MHz	DATE	Jun. 27 2003
FMD Part Number	SBF0402GPL	Version 1.3	

● **Dimensions**



**Fig.1**

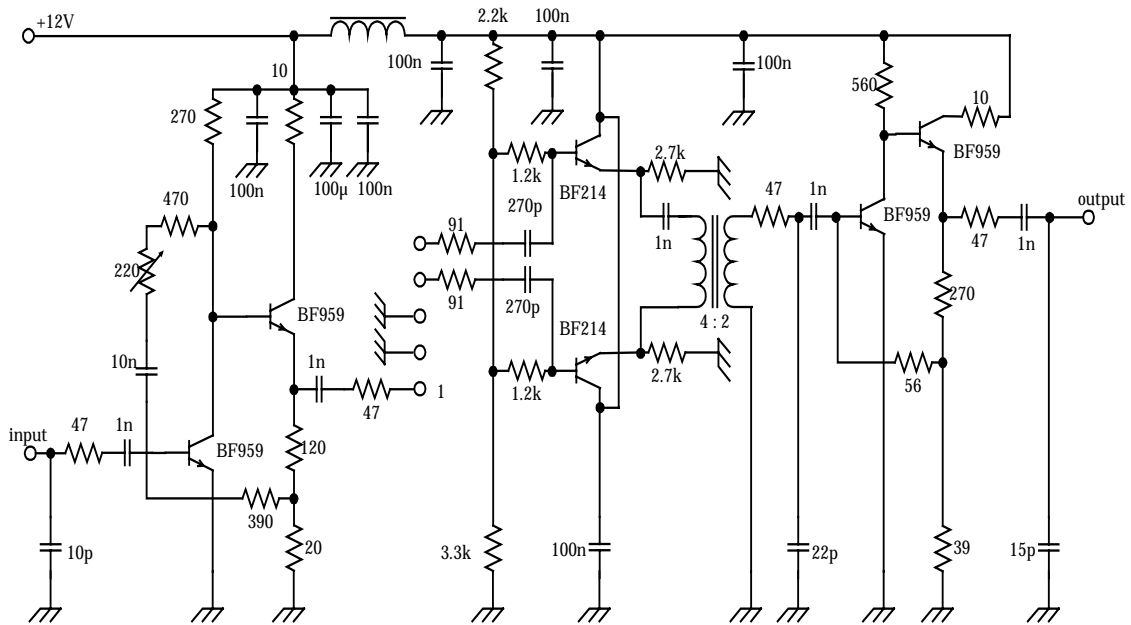
● **Pin Configuration**

**Table 2**

Pin No.	Symbol	Function
#1	IN	Input
#2	IN(GND)	Input(Ground)
#3	GND	Ground
#4	OUT	Output
#5	OUT	Output

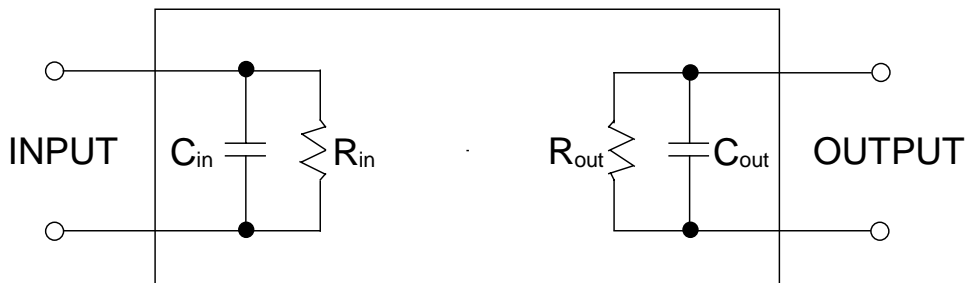
Customer Name	Standard specification	FUJITSU MEDIA DEVICES LIMITED	
Application	IF Filter for DAB		
Center Frequency	38.912 MHz	DATE	Jun. 27 2003
FMD Part Number	SBF0402GPL	Version 1.3	

● **Evaluation Circuit**



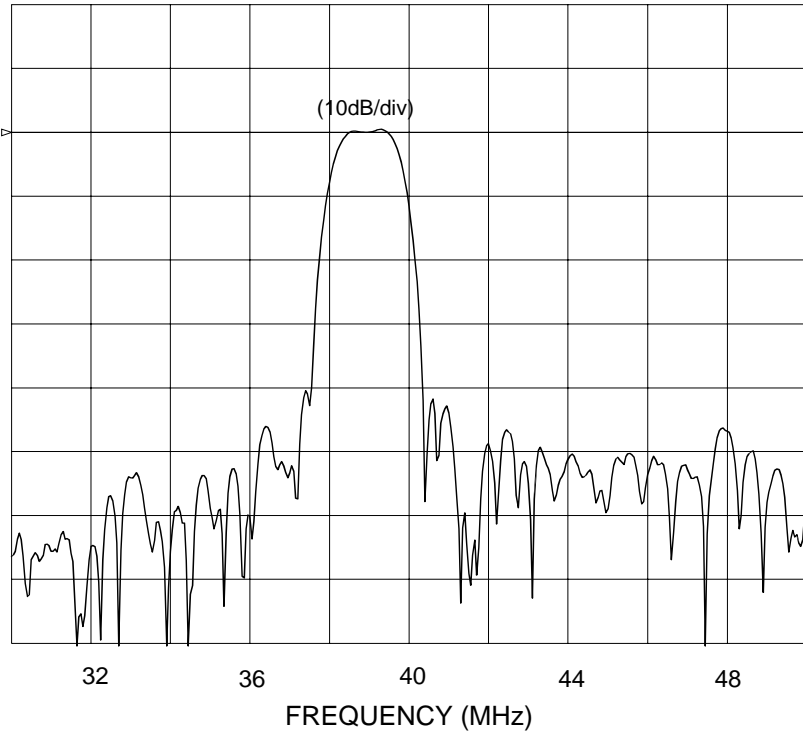
**Fig.2 Evaluation circuit**

● **Equivalent Circuit**

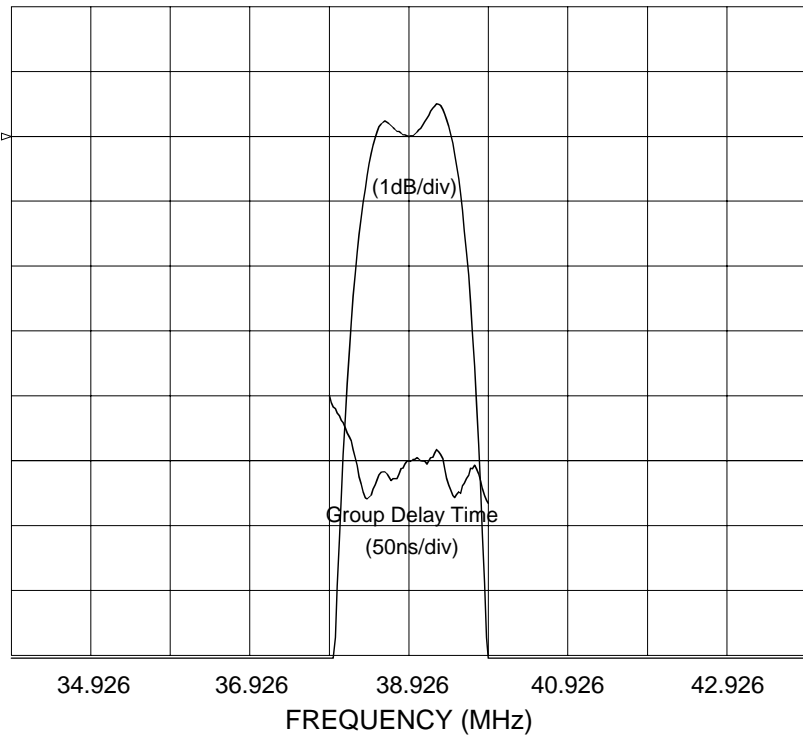


**Fig.3 Equivalent circuit**

Customer Name	<b>Standard specification</b>	FUJITSU MEDIA DEVICES LIMITED	
Application	IF Filter for DAB		
Center Frequency	38.912 MHz	DATE	Jun. 27 2003
FMD Part Number	SBF0402GPL	Version 1.3	



**Frequency Characteristics**



**In-band Characteristics**