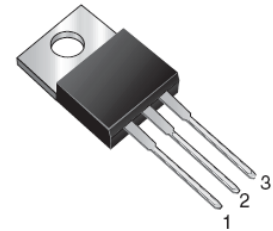


10A Schottky Barrier Rectifiers (Discontinued)

Features

- Dual rectifier construction, positive center tap
- Guarding for transient protection
- Lower power losses, high efficiency
- Low forward voltage drop
- High forward surge capability
- High frequency operation
- Solder dip 260°C, 10s, 0.25" (6.35mm) from case



Mechanical Data

TO-220

Case:	JEDEC TO-220, molded plastic body
Epoxy:	Plastic package has UL flammability classification 94V-0
Terminals:	Lead solderable per MIL-STD-750 Method 2026
Polarity	As marked
Mounting Position:	Any
Mounting Torque:	5 in, -lbs maximum
Weight:	0.08 ounces, 2.24 grams

Maximum Ratings ($T_{Ambient}=25^{\circ}C$ unless noted otherwise)

Symbol	Description	SBL1030CT	Unit	Conditions
VRRM	Maximum Repetitive Peak Reverse Voltage	30	V	
VRMS	Maximum RMS Voltage	21	V	
VDC	Maximum DC Blocking Voltage	30	V	
IF(AV)	Maximum Average Forward Rectified Current at $T_C=95^{\circ}C$	10	A	
IFSM	Peak Forward Surge Current per Diode	175	A	8.3ms single half sine-wave superimposed on rated load (JEDEC Method)
VF	Maximum Instantaneous Forward Voltage per Diode (Note 1)	0.55	V	IF=5.0A
IR	Maximum Instantaneous Reverse Current at rated DC Blocking Voltage per Diode (Note 1)	0.5	mA	$T_C=25^{\circ}C$
		50		$T_C=100^{\circ}C$
Rθ-JC	Typical Thermal Resistance from Junction to Case per Diode	3.0	$^{\circ}C/W$	
TJ, TSTG	Operating and Storage Temperature Range	-40 to +125	$^{\circ}C$	

General Semiconductor

Note 1: Pulse test: 300 μ s pulse width, 1% duty cycle.

Typical Characteristics Curves

Fig.1- Forward Current Derating Curve

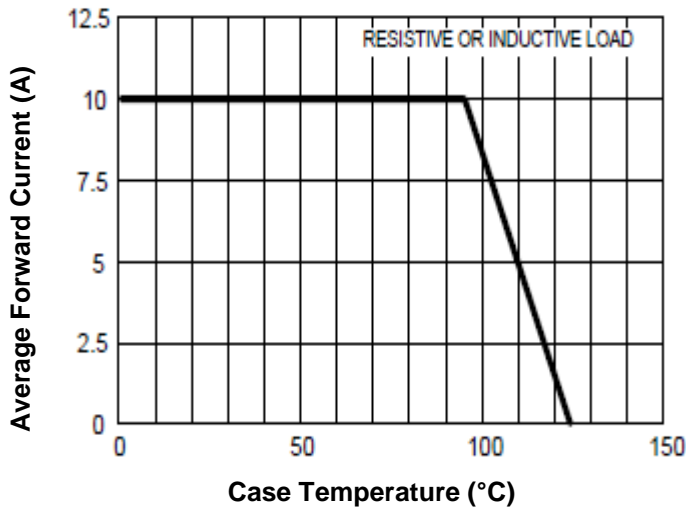


Fig.2- Max. Non-Repetitive Peak Forward Surge Current per Diode

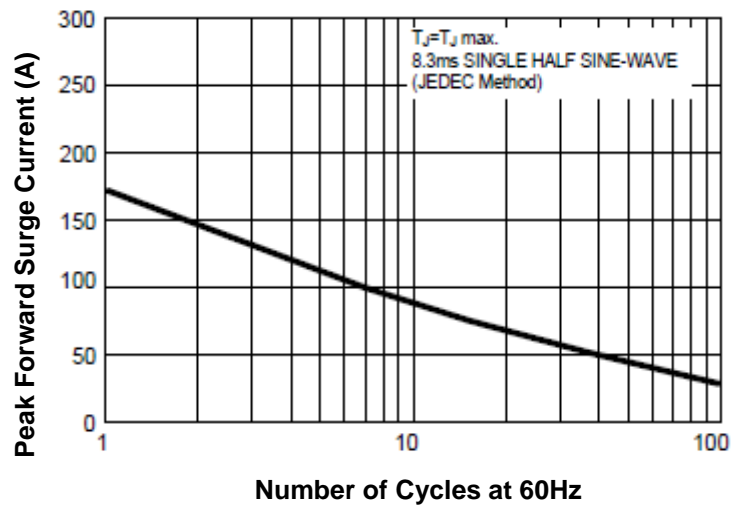


Fig.3- Typical Instantaneous Forward Characteristics per Diode

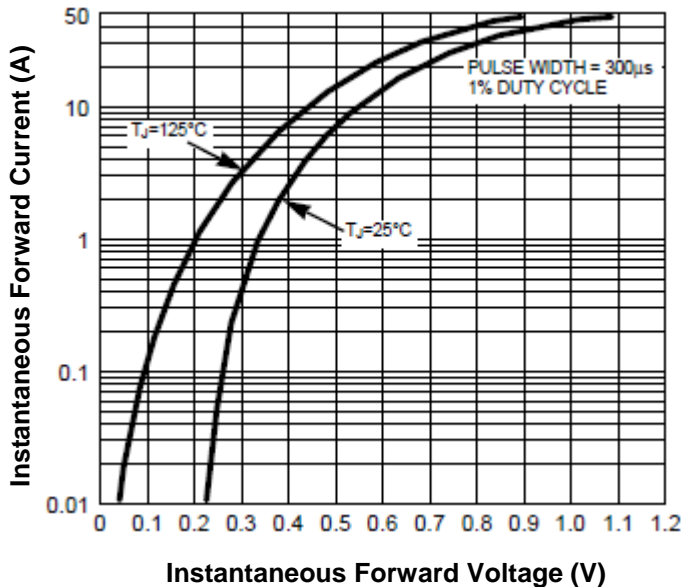


Fig.4- Typical Reverse Characteristics per Diode

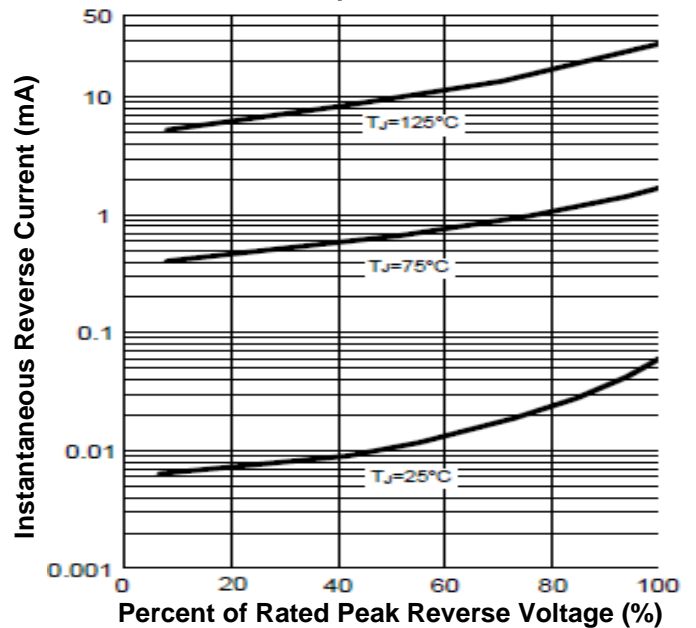


Fig.5- Typical Junction Capacitance per Diode

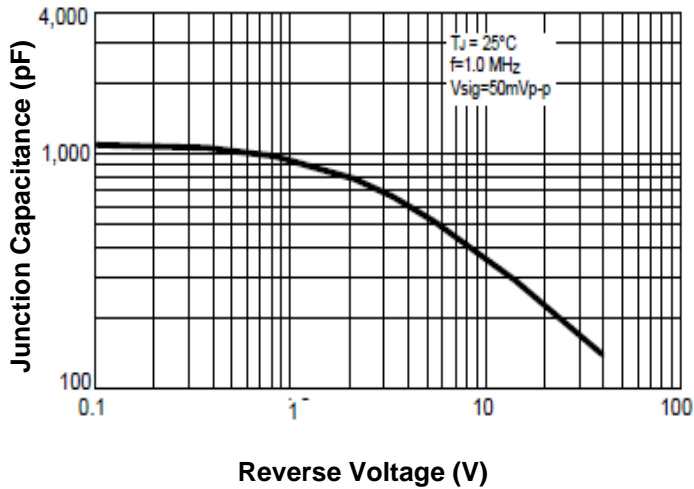
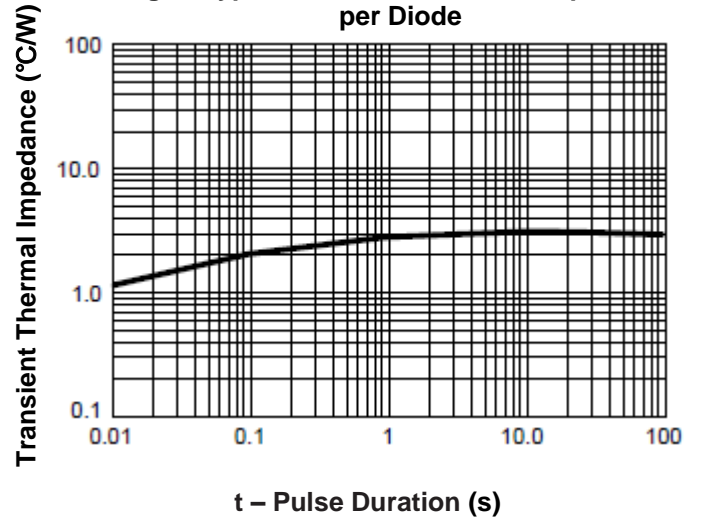
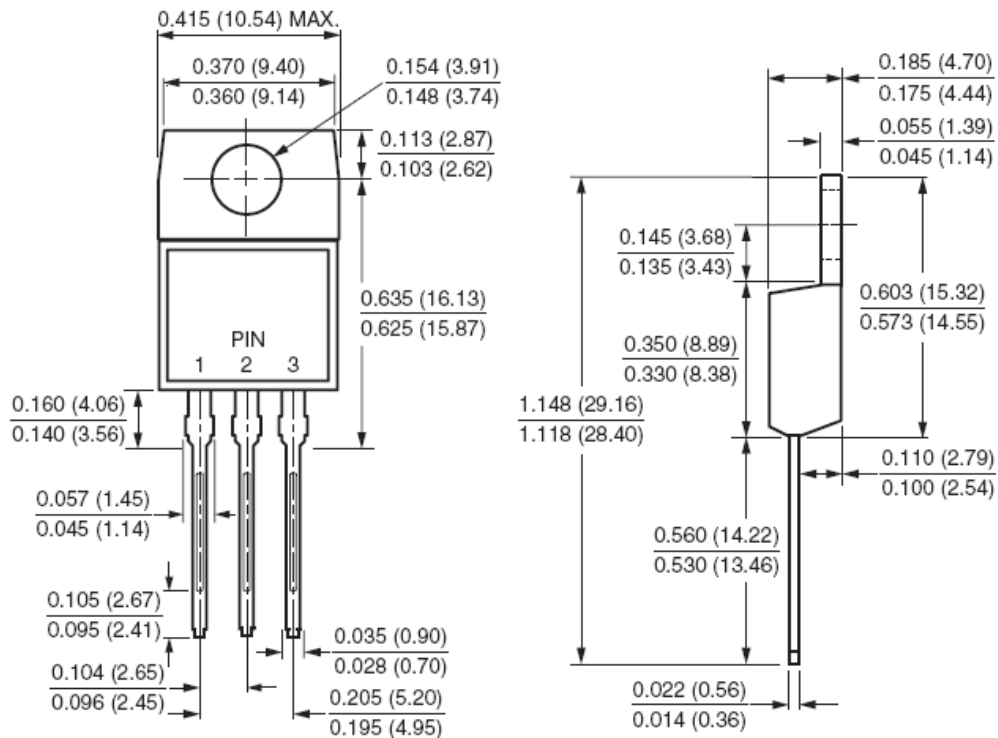


Fig.6- Typical Transient Thermal Impedance per Diode



Dimensions in inches (mm)



TO-220

Order Information

Part # to order	Manufacturer	Outline	Packing	RoHS Status
SBL1030CT/45-GSI-C	General Semiconductor	TO-220	Tube	NO

How to contact us

USA HEADQUARTERS

28040 WEST HARRISON PARKWAY, VALENCIA, CA 91355-4162

Tel: (800)-TAITRON (800)-824-8766 (661)-257-6060

Fax: (800)-TAITFAX (800)-824-8329 (661)-257-6415

Email: taitron@taitroncomponents.com

Http://www.taitroncomponents.com

TAITRON COMPONENTS INCORPORATED TAIWAN BRANCH

6F., NO.190, SEC. 2, ZHONGXING RD., XINDIAN DIST., NEW TAIPEI CITY 23146, TAIWAN R.O.C.

Tel: 886-2-2913-6238

Fax: 886-2-2913-6239

TAITRON
Internet Super Store

General Semiconductor

TAITRON COMPONENT TECHNOLOG SHANGHAI CORPORATION
SUITE 1503, METROBANK PLAZA, 1160 WEST YAN'AN ROAD, SHANGHAI, 200052, CHINA
Tel: +86-21-5424-9942
Fax: +86-21-2302-5027