

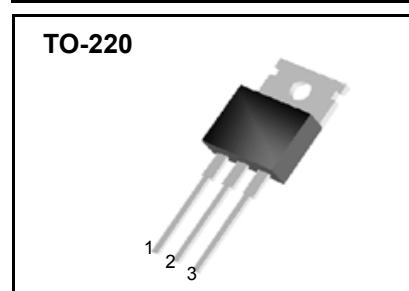
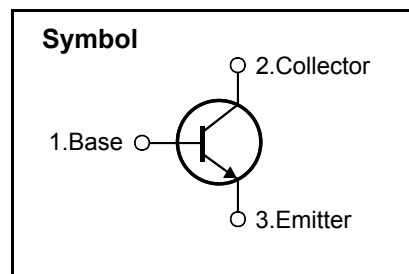
High Voltage Fast-Switching NPN Power Transistor

Features

- ◆ Very High Switching Speed (Typical 70ns@2.0A)
- ◆ Minimum Lot-to-Lot hFE Variation
- ◆ Low $V_{CE(sat)}$ (Typical 180mV@2.0A/0.5A)
- ◆ Wide Reverse Bias S.O.A

General Description

This device is designed for high voltage, high speed switching characteristic required such as lighting system, switching regulator, inverter and deflection circuit.



Absolute Maximum Ratings

Symbol	Parameter	Value	Units
V_{CES}	Collector-Emitter Voltage ($V_{BE} = 0$)	700	V
V_{CEO}	Collector-Emitter Voltage ($I_B = 0$)	400	V
V_{EBO}	Emitter-Base Voltage ($I_C = 0$)	9.0	V
I_C	Collector Current	4.0	A
I_{CM}	Collector Peak Current ($t_p < 5$ ms)	8.0	A
I_B	Base Current	2.0	A
I_{BM}	Base Peak Current ($t_p < 5$ ms)	4.0	A
P_C	Total Dissipation at $T_C = 25$ °C	75	W
T_{STG}	Storage Temperature	- 65 ~ 150	°C
T_J	Max. Operating Junction Temperature	150	°C

Thermal Characteristics

Symbol	Parameter	Value	Units
$R_{\theta JC}$	Thermal Resistance, Junction-to-Case	1.67	°C/W
$R_{\theta JA}$	Thermal Resistance, Junction-to-Ambient	62.5	°C/W

SBP13005

Electrical Characteristics ($T_C = 25\text{ }^\circ\text{C}$ unless otherwise noted)

Symbol	Parameter	Condition	Min	Typ	Max	Units
I_{CEV}	Collector Cut-off Current ($V_{BE} = -1.5V$)	$V_{CE} = 700V$ $V_{CE} = 700V$ $T_C = 100\text{ }^\circ\text{C}$	-	-	1.0 5.0	mA
$V_{CEO(sus)}$	Collector-Emitter Sustaining Voltage ($I_B = 0$)	$I_C = 10\text{ mA}$	400	-	-	V
$V_{CE(sat)}$	Collector-Emitter Saturation Voltage	$I_C = 1.0A$ $I_B = 0.2A$ $I_C = 2.0A$ $I_B = 0.5A$ $I_C = 4.0A$ $I_B = 1.0A$	-	-	0.3 0.5 1.0	V
$V_{BE(sat)}$	Base-Emitter Saturation Voltage	$I_C = 1.0A$ $I_B = 0.2A$ $I_C = 2.0A$ $I_B = 0.5A$	-	-	1.2 1.6	V
h_{FE}	DC Current Gain	$I_C = 1.0A$ $V_{CE} = 5V$ $I_C = 2.0A$ $V_{CE} = 5V$	10 8	- -	40 40	
t_s t_f	Resistive Load Storage Time Fall Time	$I_C = 2.0A$ $V_{CC} = 125V$ $I_{B1} = 0.4A$ $I_{B2} = -0.4A$ $T_P = 25\mu s$	-	2.5 0.15	4.0 0.4	μs
t_s t_f	Inductive Load Storage Time Fall Time	$V_{CC} = 15V$ $I_C = 2.0A$ $I_{B1} = 0.4A$ $I_{B2} = -1.0A$ $L = 0.35mH$ $V_{clamp} = 300V$	-	1.1 0.07	2.0 0.3	μs
t_s t_f	Inductive Load Storage Time Fall Time	$V_{CC} = 15V$ $I_C = 2.0A$ $I_{B1} = 0.4A$ $I_{B2} = -1.0A$ $L = 0.35mH$ $V_{clamp} = 300V$ $T_C = 100\text{ }^\circ\text{C}$	-	1.2 0.08	3.0 0.4	μs

※ Notes :

Pulse Test : Pulse width $\leq 300\mu s$, Duty cycle $\leq 2\%$



Fig 1. Static Characteristics

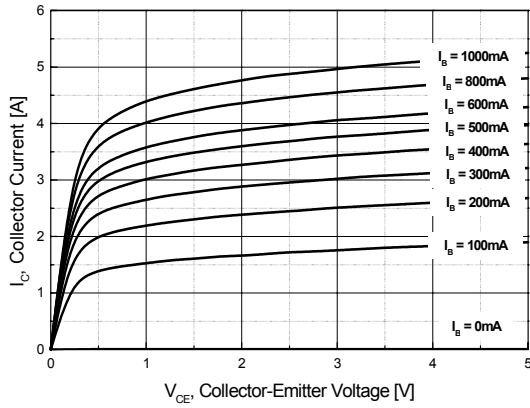


Fig 2. DC Current Gain

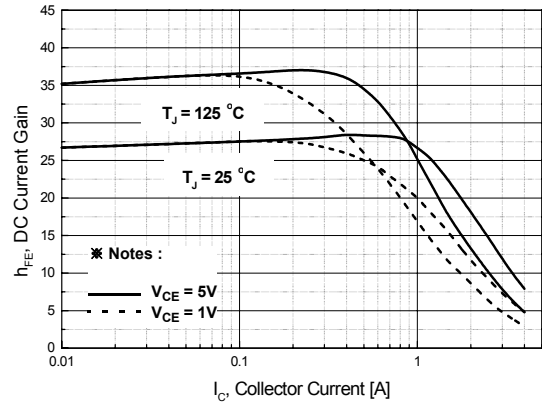


Fig 3. Collector-Emitter Saturation Voltage

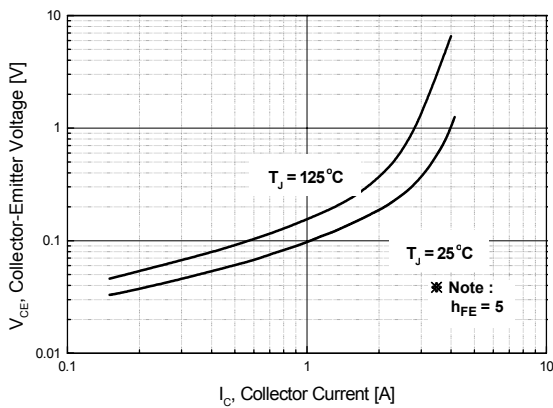


Fig 4. Base-Emitter Saturation Voltage

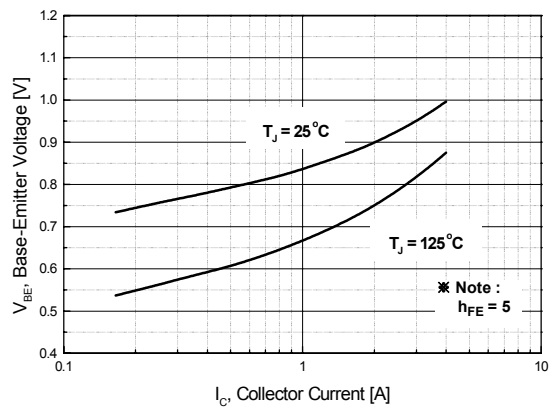


Fig 5. Resistive Load Fall Time

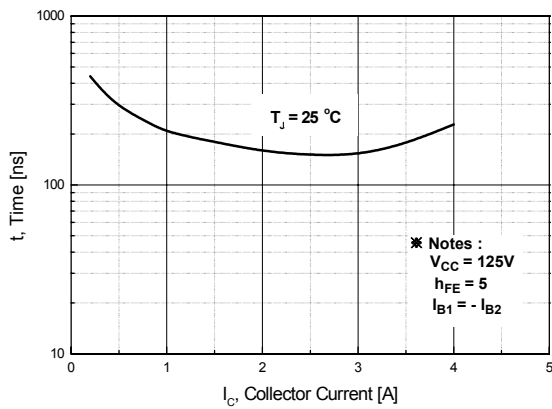
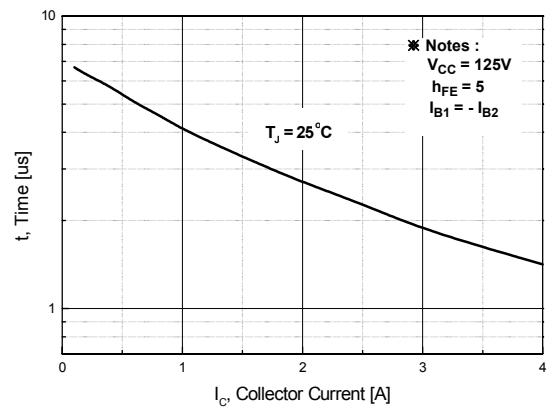


Fig 6. Resistive Load Storage Time



SBP13005

Fig 7. Safe Operation Areas

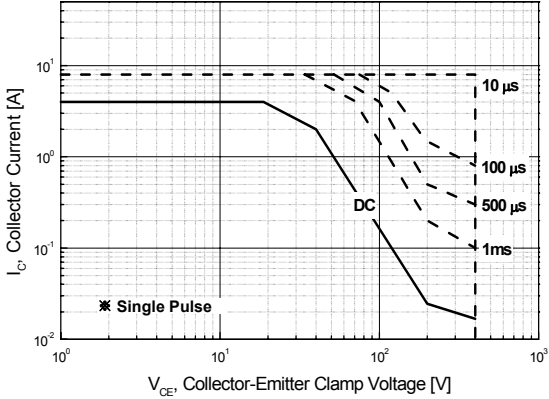


Fig 8. Reverse Biased Safe Operation Areas

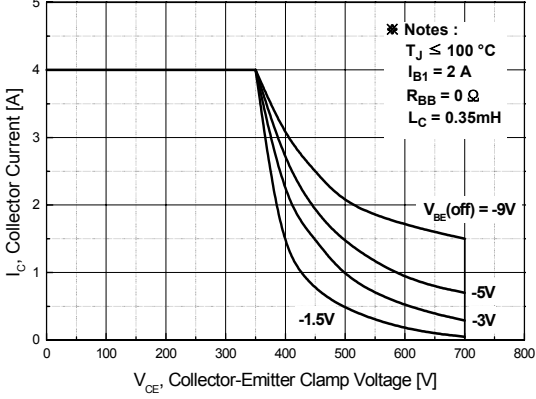
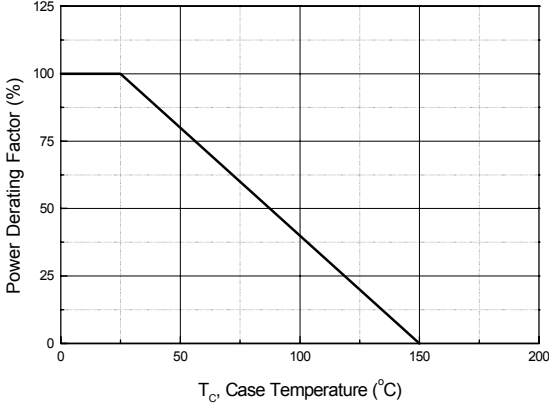
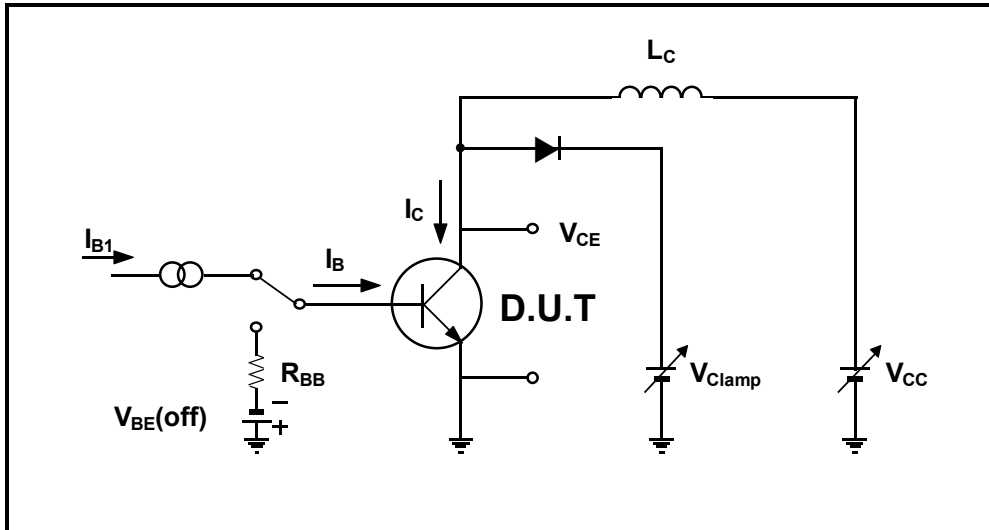


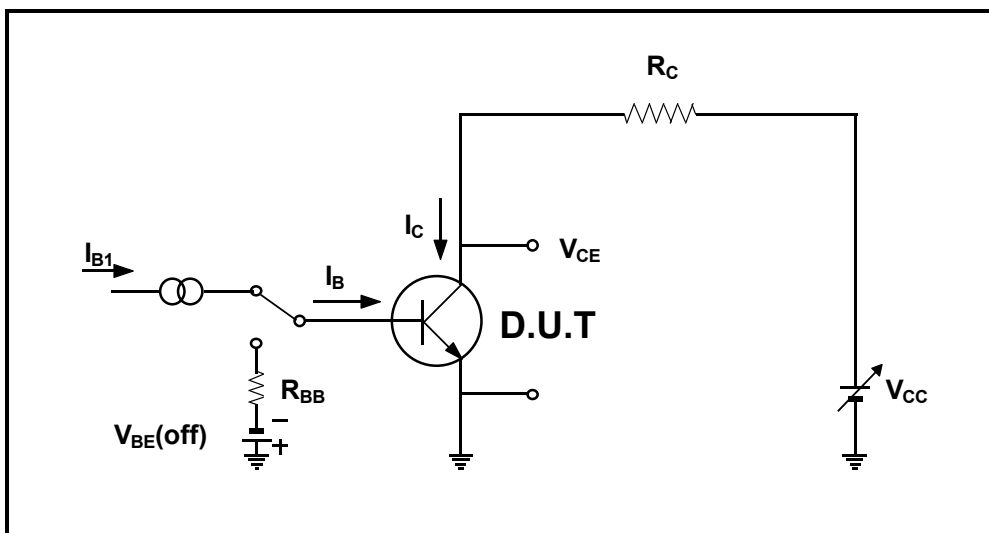
Fig 9. Power Derating Curve



Inductive Load Switching & RBSOA Test Circuit



Resistive Load Switching Test Circuit



SBP13005

TO-220 Package Dimension

Dim.	mm			Inch		
	Min.	Typ.	Max.	Min.	Typ.	Max.
A	9.7		10.1	0.382		0.398
B	6.3		6.7	0.248		0.264
C	9.0		9.47	0.354		0.373
D	12.8		13.3	0.504		0.524
E	1.2		1.4	0.047		0.055
F		1.7			0.067	
G		2.5			0.098	
H	3.0		3.4	0.118		0.134
I	1.25		1.4	0.049		0.055
J	2.4		2.7	0.094		0.106
K	5.0		5.15	0.197		0.203
L	2.2		2.6	0.087		0.102
M	1.42		1.62	0.056		0.064
N	0.45		0.6	0.018		0.024
O	0.7		0.9	0.027		0.035
ϕ		3.6			0.142	

