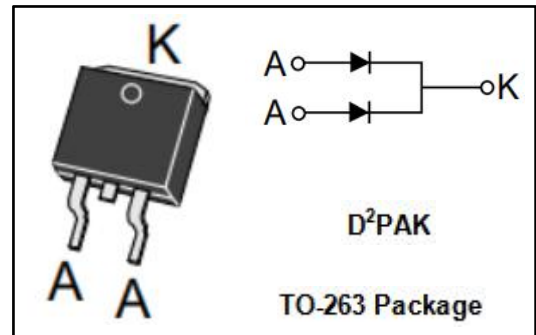


Schottky Barrier Rectifier

SBR20A60CTB

FEATURES

- Guard -Ring for Stress Protection
- Low Forward Voltage
- High Operating Junction Temperature
- Guaranteed Reverse Avalanche
- Low Power Loss/High Efficiency
- High surge capability
- Low Stored Charge Majority Carrier Conduction
- Minimum Lot-to-Lot variations for robust device performance and reliable operation



MECHANICAL CHARACTERISTICS

- Case: Epoxy, Molded
- Finish: All External Surfaces Corrosion Resistant and Terminal Leads are Readily Solderable
- Lead Temperature for Soldering Purposes: 260°C Max. for 10 Seconds

ABSOLUTE MAXIMUM RATINGS(Ta=25°C)

SYMBOL	PARAMETER	VALUE	UNIT
V _{RRM} V _{RWM} V _R	Peak Repetitive Reverse Voltage Working Peak Reverse Voltage DC Blocking Voltage	60	V
I _{F(AV)}	Average Rectified Forward Current (Rated V _R) T _C = 133°C	10	A
I _{FRM}	Peak Repetitive Forward Current (Rated V _R , Square Wave, 20kHz) T _C = 133°C	20	A
I _{FSM}	Nonrepetitive Peak Surge Current (Surge applied at rated load conditions half-wave, single phase, 60Hz)	180	A
T _J	Junction Temperature	-65~150	°C
T _{stg}	Storage Temperature Range	-65~175	°C
dv/dt	Voltage Rate of Change (Rated V _R)	10,000	V/μs

THERMAL CHARACTERISTICS

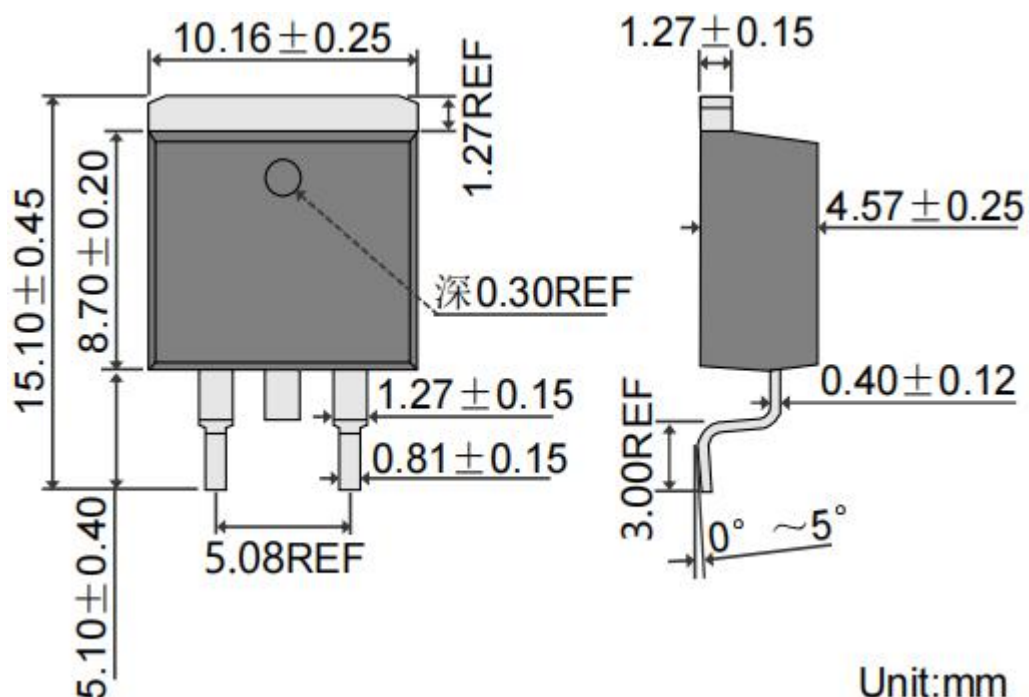
SYMBOL	PARAMETER	MAX	UNIT
R _{th j-c}	Thermal Resistance, Junction to Case	2.0	°C/W

Schottky Barrier Rectifier

SBR20A60CTB

ELECTRICAL CHARACTERISTICS (Pulse Test: Pulse Width=300 μ s, Duty Cycle \leq 2%)

SYMBOL	PARAMETER	CONDITIONS	MAX	UNIT
V_F	Maximum Instantaneous Forward Voltage	$I_F = 10A$; $T_C = 25^\circ C$ $I_F = 10A$; $T_C = 125^\circ C$	0.75 0.65	V
I_R	Maximum Instantaneous Reverse Current	Rated DC Voltage, $T_C = 25^\circ C$ Rated DC Voltage, $T_C = 125^\circ C$	0.5 100	mA


NOTICE:

ISC reserves the rights to make changes of the content herein the datasheet at any time without notification. The information contained herein is presented only as a guide for the applications of our products.

ISC products are intended for usage in general electronic equipment. The products are not designed for use in equipment which require specialized quality and/or reliability, or in equipment which could have applications in hazardous environments, aerospace industry, or medical field. Please contact us if you intend our products to be used in these special applications.

ISC makes no warranty or guarantee regarding the suitability of its products for any particular purpose, nor does ISC assume any liability arising from the application or use of any products, and specifically disclaims any and all liability, including without limitation special, consequential or incidental damages.