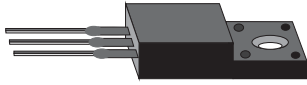


RoHS Compliant Product

A suffix of "-C" specifies halogen & lead-free



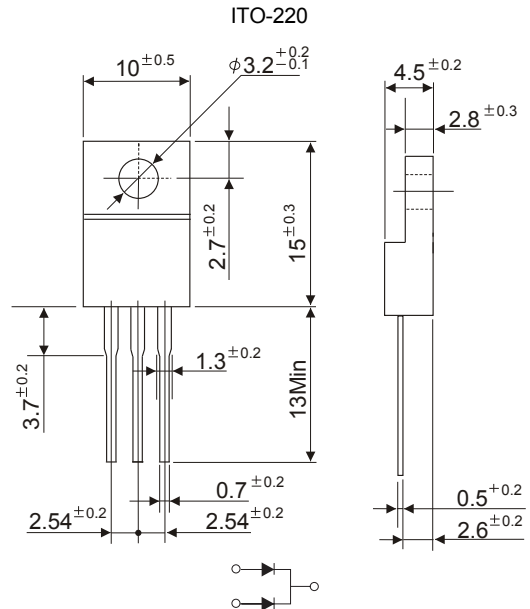
www.DataSheet4U.net

## FEATURES

- \* Low forward voltage drop
- \* High current capability
- \* High reliability
- \* High surge current capability
- \* Epitaxial construction

## MECHANICAL DATA

- \* Case: Molded plastic
- \* Epoxy: UL 94V-0 rate flame retardant
- \* Lead: Lead solderable per MIL-STD-202, method 208 guaranteed
- \* Polarity: As Marked
- \* Mounting position: Any
- \* Weight: 2.24 grams(Approximately)



## MAXIMUM RATINGS AND ELECTRICAL CHARACTERISTICS

Rating 25°C ambient temperature unless otherwise specified.  
Single phase half wave, 60Hz, resistive or inductive load.  
For capacitive load, derate current by 20%.

TYPE NUMBER	SYMBOL	SBR3060RF	UNITS
Maximum Recurrent Peak Reverse Voltage	$V_{RRM}$	60	V
Working Peak Reverse Voltage	$V_{RSM}$	60	V
Maximum DC Blocking Voltage	$V_{DC}$	60	V
Maximum Average Forward Rectified Current (Per Leg)	$I_F$	15	A
(Per Device)		30	
Peak Forward Surge Current, 8.3 ms single half sine-wave superimposed on rated load (JEDEC method)	$I_{FSM}$	180	A
Maximum Instantaneous Forward Voltage ( $I_F = 15$ Amps, $T_A = 25^\circ\text{C}$ , per leg)	$V_F$	0.68	V
Maximum Instantaneous Forward Voltage ( $I_F = 15$ Amps, $T_A = 125^\circ\text{C}$ , per leg)		0.62	
Maximum DC Reverse Current at Rated DC Blocking Voltage (Note H)	$I_R$	0.5	mA
$T_a = 25^\circ\text{C}$		12	
Typical Junction Capacitance (Note 1)	$C_J$	1700	pF
Typical Thermal Resistance $\theta_{JC}$ (Note 2)	$R_{\theta JC}$	4.0	$^\circ\text{C/W}$
Voltage Rate Of Change (Rated $V_R$ )	$dv/dt$	10000	V/us
Operating Temperature Range	$T_J$	-50 ~ +150	$^\circ\text{C}$
Storage Temperature Range	$T_{STG}$	-65 ~ +175	$^\circ\text{C}$

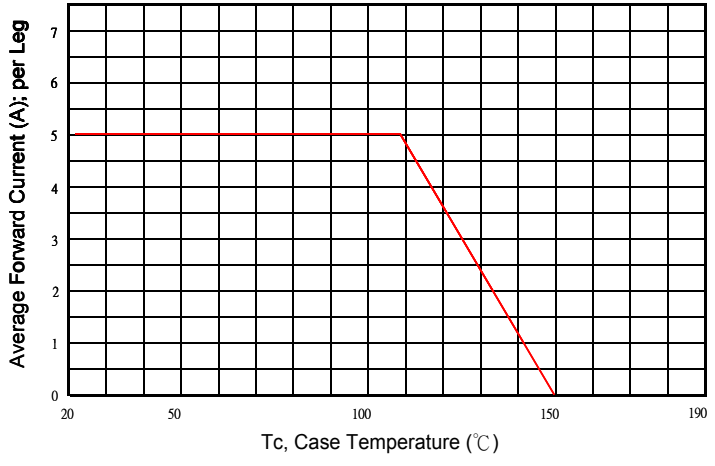
NOTES:

1. Measured at 1MHz and applied reverse voltage of 5.0V D.C.
2. Thermal Resistance Junction to Case.

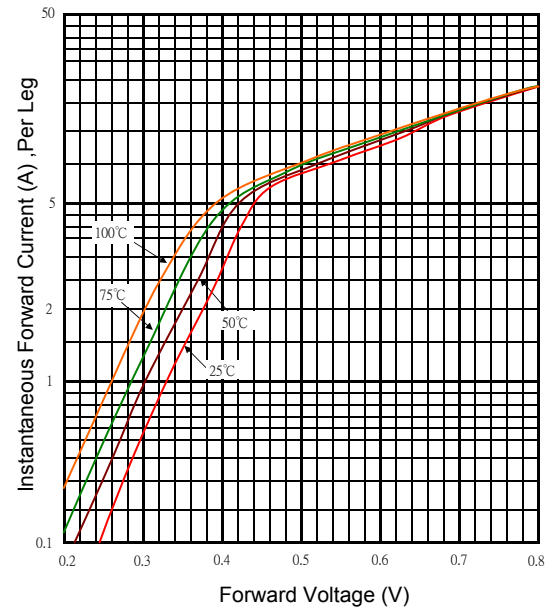
H Ü | • A / • o A / • A ä c M H E • E Ö ° c A ° & A M G E Ä E

RATING AND CHARACTERISTIC CURVES

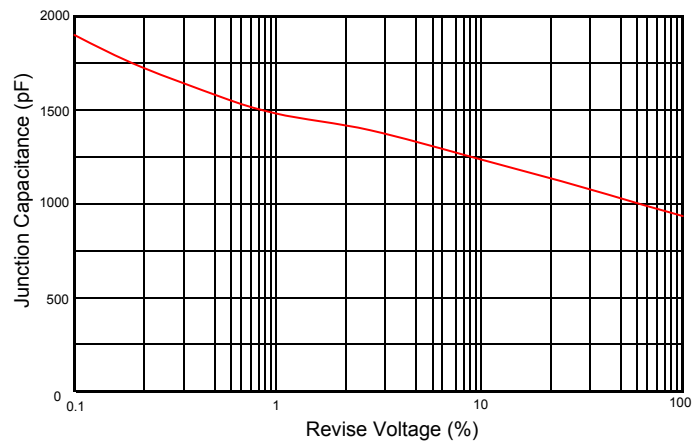
Typical Forward Current Derating Curve



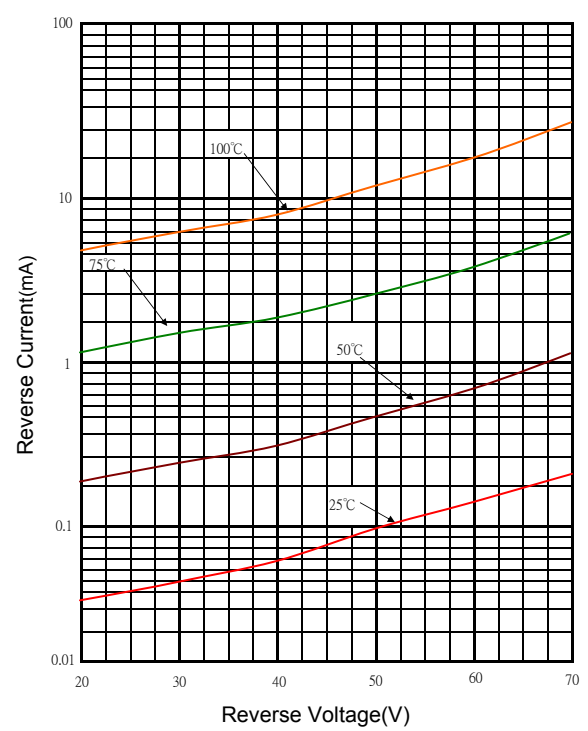
Typical Forward Characteristic



Typical Junction Capacitance



Typical Reverse Characteristic



Maximum Non- Repetitive Forward Surge Current

