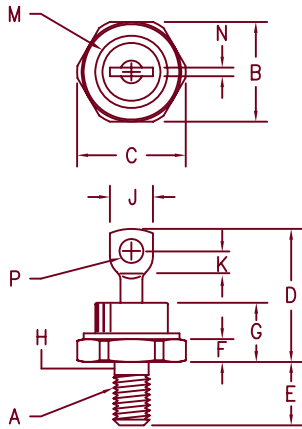


60 Amp Schottky Rectifier SBR6030L



Notes:

1. Full threads within 2 1/2 threads
2. Standard Polarity: Stud is Cathode
Reverse Polarity: Stud is Anode

Dim.	Inches		Millimeter		Notes
	Minimum	Maximum	Minimum	Maximum	
A	---	---	---	---	1/4-28
B	.669	.688	17.00	17.47	
C	---	.794	---	20.16	
D	.750	1.00	19.05	25.40	
E	.422	.453	10.72	11.50	
F	.115	.200	2.93	5.08	
G	---	.450	---	11.43	
H	.220	.249	5.59	6.32	1
J	---	.375	---	9.52	
K	.156	---	3.97	---	
M	---	.510	---	12.95	Dia
N	---	.080	---	2.03	
P	.140	.175	3.56	4.44	Dia

DO-203AB (DO-5)

Microsemi Catalog Number	Industry Part Number	Working Peak Reverse Voltage	Peak Reverse Voltage
SBR6030L*	55HQ030	30V	30V

*Add Suffix R For Reverse Polarity

- Schottky Barrier Rectifier
- Low forward voltage
- Guard Ring Protected
- Reverse Energy Tested
- 150°C Junction Temperature
- VRRM 30 Volts

Electrical Characteristics

Average forward current	I _{F(AV)} 60 Amps	T _C = 115°C, Square wave, R _{θJC} = 0.7°C/W
Maximum surge current	I _{FSM} 1200 Amps	8.3ms, half sine, T _J = 150°C
Max repetitive peak reverse current	I _{R(OV)} 2 Amp	f = 1 KHz, 25°C, 1 μsec Square wave
Typical peak forward voltage	V _{FM} 0.34 Volts	I _{FM} = 60A: 150°C *
Max peak forward voltage	V _{FM} 0.48 Volts	I _{FM} = 60A: 25°C *
Max peak reverse current	I _{RM} 750 mA	V _{RRM, T_J} = 125°C *
Max peak reverse current	I _{RM} 5 mA	V _{RRM, T_J} = 25°C
Typical junction capacitance	C _J 3750 pF	VR = 5.0V, T _J = 25°C

*Pulse test: Pulse width 300 μsec, Duty cycle 2%

Thermal and Mechanical Characteristics

Storage temp range	T _{STG}	-65°C to 175°C
Operating junction temp range	T _J	-65°C to 150°C
Max thermal resistance	R _{θJC}	0.7°C/W Junction to Case
Max thermal resistance (greased)	R _{θCS}	0.5°C/W Case to sink
Mounting torque		25-30 inch pounds
Weight		.54 ounces (15.3 grams) typical



6 Lake Street
Lawrence, MA 01841
PH: (978) 620-2600
FAX: (978) 689-0803
www.microsemi.com

05-25-07 Rev. 5

SBR6030L

Figure 1
Typical Forward Characteristics

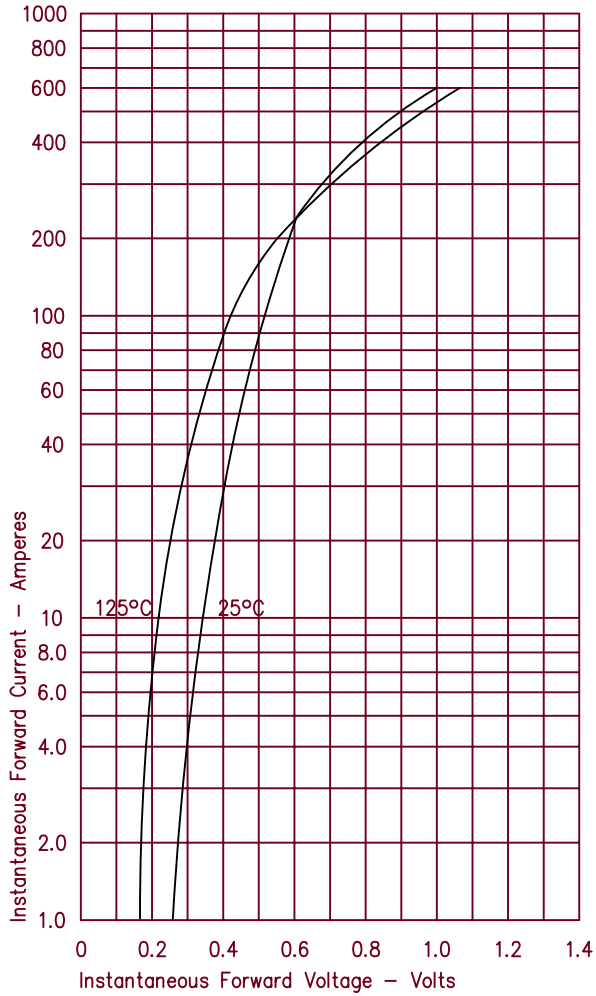


Figure 3
Typical Junction Capacitance

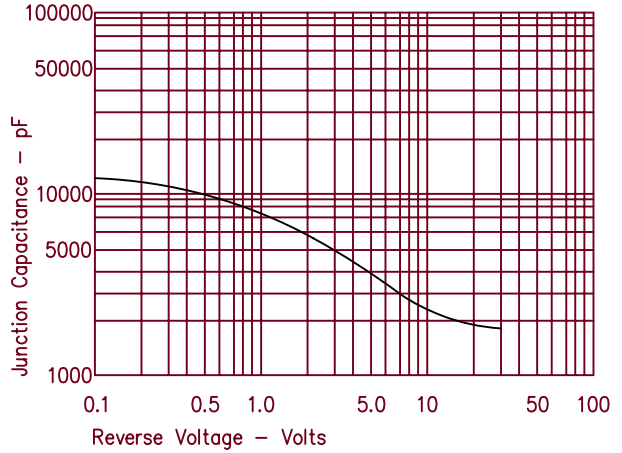


Figure 4
Forward Current Derating

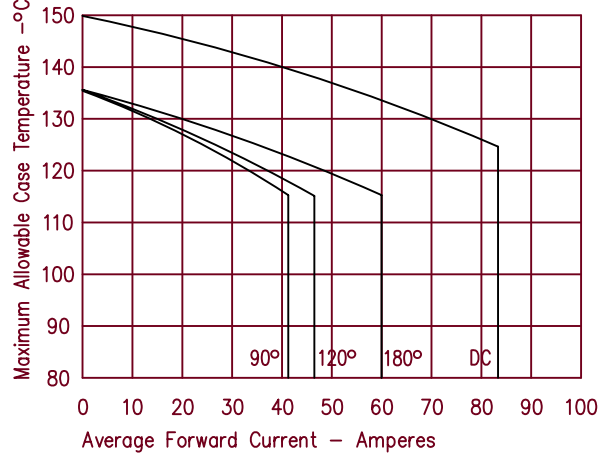


Figure 2
Typical Reverse Characteristics

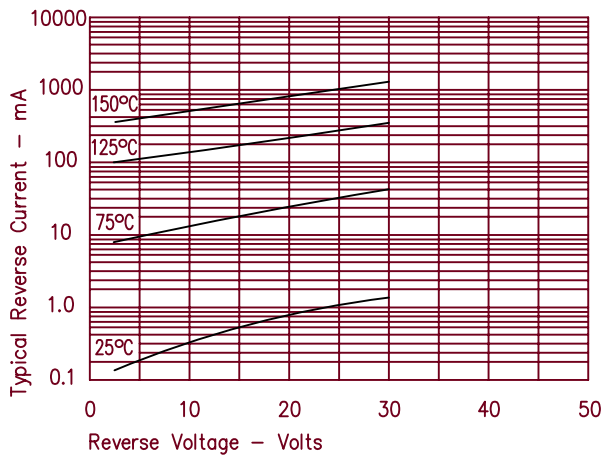


Figure 5
Maximum Forward Power Dissipation

