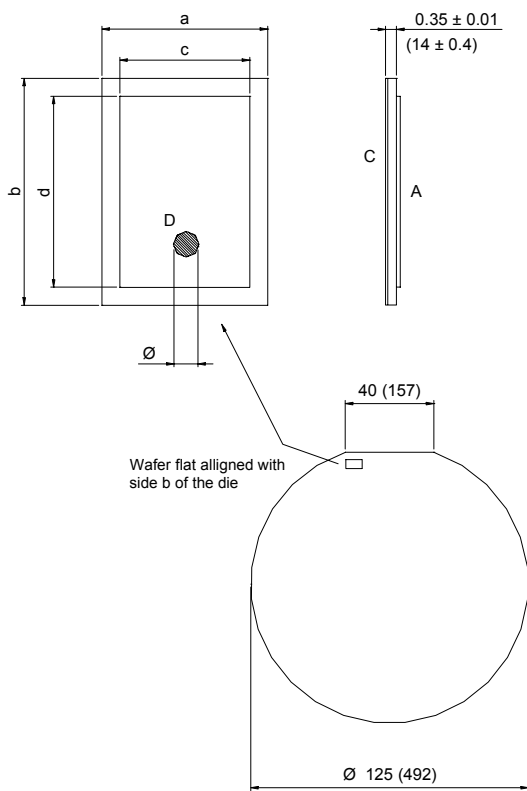


International
IOR Rectifier

SC070.....5. Series

SCHOTTKY DIE 70 x 92 mils



NOTES:

1. ALL DIMENSIONS ARE SHOWN IN MILLIMETERS (MILS).
2. CONTROLLING DIMENSION: (MILS).
3. DIMENSIONS AND TOLERANCES:
 - a = $1.78 + 0, - 0.01$
(70 + 0, - 0.4)
 - b = $2.34 + 0, - 0.01$
(92 + 0, - 0.4)
 - c = $1.63 + 0, - 0.01$
(64 + 0, - 0.4)
 - d = $2.18 + 0, - 0.01$
(86 + 0, - 0.4)
 - $\varnothing = 0.7 \pm 0.1$
(30 \pm 4)
4. LETTER DESIGNATION:
 - A = Anode (Top Metal)
 - C = Cathode (Back Metal)
 - D = Reject Ink Dot (only on non-conforming dies)
5. SAWING:
 - Recommended Blade
 - SEMITEC S1025 QS00 Blade
 - Sawing Street
 - $0.05 + 0, - 0.005$
 - (2 + 0, - 0.2)

NOT TO SCALE

NOTE: 10 mils die thickness is available on specific request only.
 Contact factory for information.

SC070.....5.

Bulletin I0509J rev.A 05/01

International
IR Rectifier

Electrical Characteristics

| Device # | T _J Max. (°C) | V _R (V) | Typ. I _R @ 25°C (μA) | Typ. I _R @ 125°C (mA) | Max. V _F @ I _F (V) | Package Style |
|--------------|--------------------------|--------------------|---------------------------------|----------------------------------|--|---------------|
| SC070R015x5x | 125 | 15 | n.a. contact factory | | | |
| SC070S020x5x | 150 | 20 | n.a. contact factory | | | |
| SC070S030x5x | 150 | 30 | 90 | 38 | 0.55 @ 12A | DPAK(TO-252) |
| SC070S045x5x | 150 | 45 | 70 | 32 | 0.70 @ 15A | TO-220 |
| SC070S060x5x | 150 | 60 | n.a. contact factory | | | |
| SC070H045x5x | 175 | 45 | 12 | 4 | 0.56 @ 15A | TO-220 |
| SC070H100x5x | 175 | 100 | 5 | 2.5 | 0.95 @ 12A | DPAK(TO-252) |
| SC070H150x5x | 175 | 150 | 2 | 1.5 | 1.1 @ 10A | TO-220 |

Mechanical Data

| Device # | | Metal Thickness Front Metal | | | Metal Thickness Back Metal | | |
|--------------|---------------|-----------------------------|----------|----------|----------------------------|---------|---------|
| | | | | | | | |
| SC070xxxxA5x | Wire Bondable | – | Al 30 kÅ | – | Cr 1 kÅ | Ni 2 kÅ | Ag 3 kÅ |
| SC070xxxxS5x | Solderable | Ti 2 kÅ | Ni 1 kÅ | Ag 35 kÅ | Cr 1 kÅ | Ni 2 kÅ | Ag 3 kÅ |

Recommended Storage Environment: Store in original container, in dessicated nitrogen, with no contamination.

Shelf life for parts stored in above condition is 2 years.

If the storage is done in normal atmosphere shelf life is reduced to six months.

Packaging

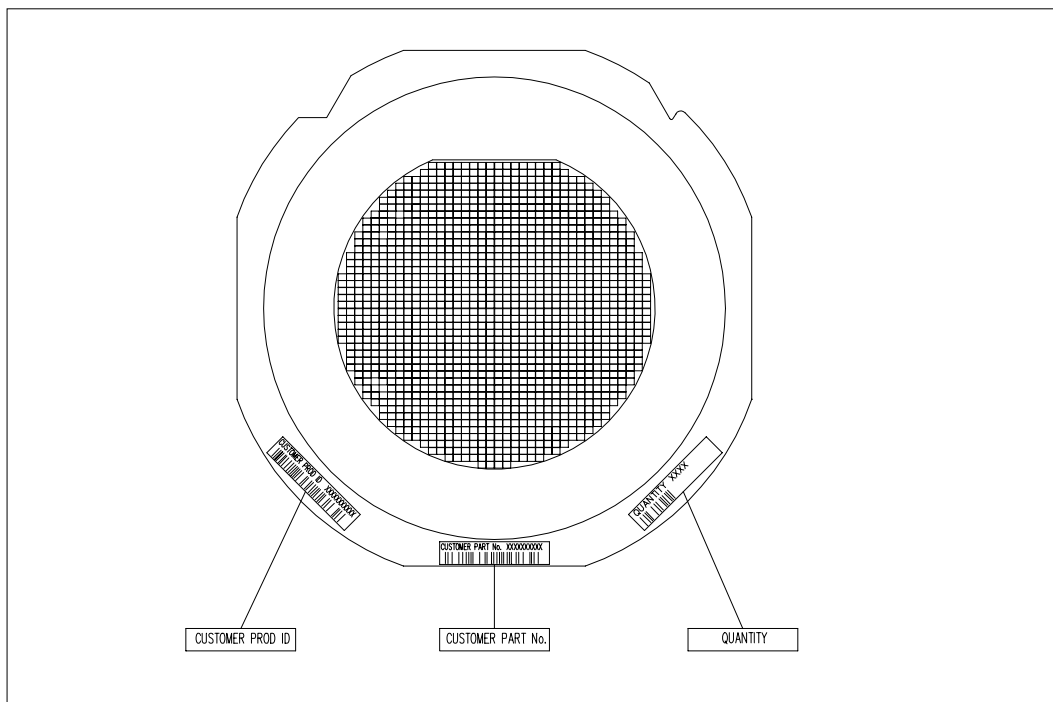
| Device # | Description | Minimum Order Quantity Die in Sale Package |
|-------------|--|--|
| SC070xxxx5B | Inked Probed Unsawn Wafer (Wafer in Box) | 2500 |
| SC070xxxx5R | Probed Die in Tape & Reel | n.a |
| SC070xxxx5P | Probed Die in Waffle Pack | 2500 |
| SC070xxxx5F | Inked Probed Sawn Wafer on Film | 2500 |

Ordering Information Table

| Device Code | | | | | | |
|-------------|-----|---|-----|---|---|---|
| SC | 070 | S | 045 | A | 5 | B |
| ① | ② | ③ | ④ | ⑤ | ⑥ | ⑦ |

| | |
|---|---|
| <ul style="list-style-type: none"> 1 - Schottky Die 2 - Chip Dimension in Mils 3 - Process (see Electrical Characteristics Table) 4 - Voltage code: Code = V_{RRM} 5 - Chip surface metallization (see Mechanical Data Table) 6 - Wafer Diameter in inches 7 - Packaging (see Packaging Table) | H = 830 Process R = OR'ing Process S = Standard Process |
|---|---|

Wafer on Film

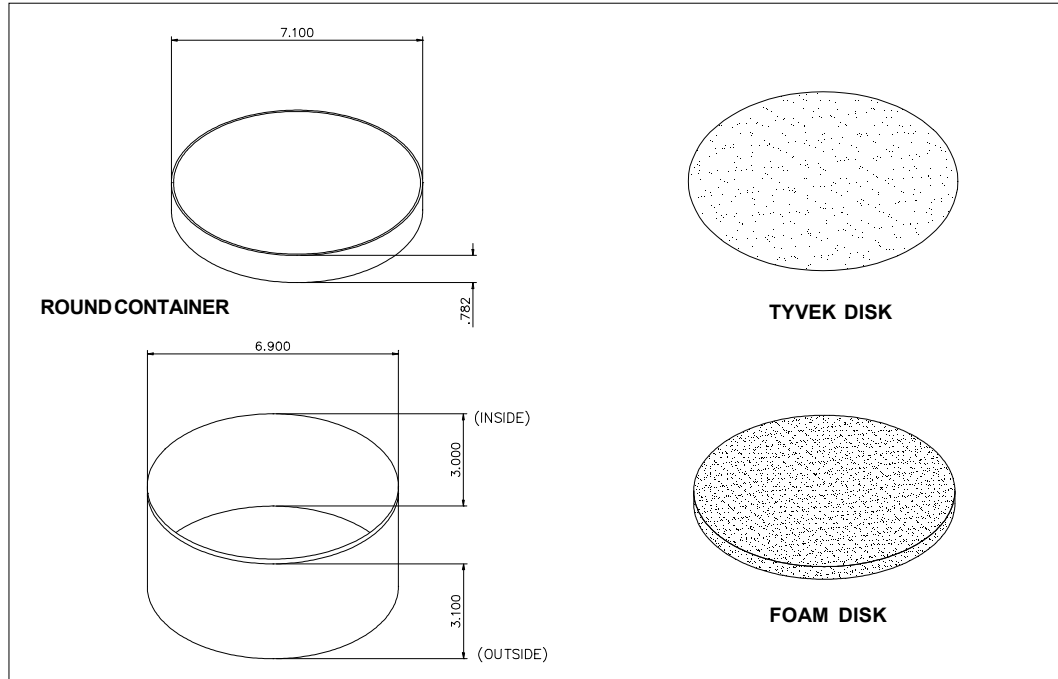


SC070.....5.

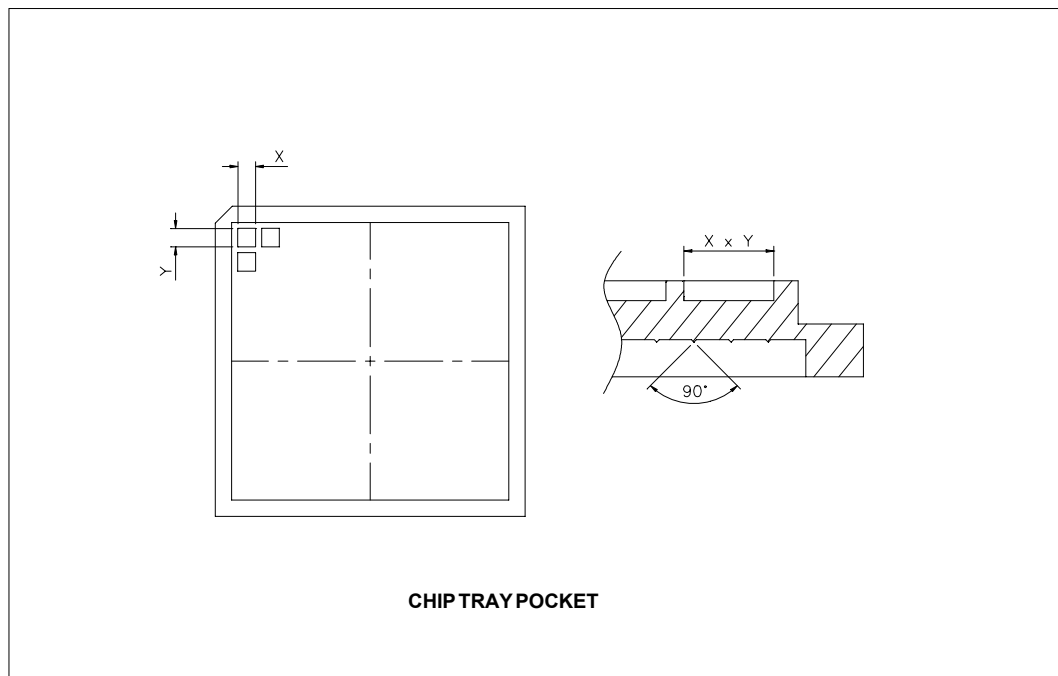
Bulletin I0509J rev.A 05/01

International
IRF Rectifier

Wafer in Box



Die in Waffle Pack



WORLD HEADQUARTERS: 233 Kansas St., El Segundo, California 90245 U.S.A. Tel: (310) 322 3331. Fax: (310) 322 3332.
EUROPEAN HEADQUARTERS: Hurst Green, Oxted, Surrey RH8 9BB, U.K. Tel: ++ 44 1883 732020. Fax: ++ 44 1883 733408.
IR CANADA: 15 Lincoln Court, Brampton, Markham, Ontario L6T3Z2. Tel: (905) 453 2200. Fax: (905) 475 8801.
IR GERMANY: Saalburgstrasse 157, 61350 Bad Homburg. Tel: ++ 49 6172 96590. Fax: ++ 49 6172 965933.
IR ITALY: Via Liguria 49, 10071 Borgaro, Torino. Tel: ++ 39 11 4510111. Fax: ++ 39 11 4510220.
IR FAR EAST: K&H Bldg., 2F, 30-4 Nishi-Ikebukuro 3-Chome, Toshima-Ku, Tokyo, Japan 171. Tel: 81 3 3983 0086.
IR SOUTHEAST ASIA: 1 Kim Seng Promenade, Great World City West Tower, 13-11, Singapore 237994. Tel: ++ 65 838 4630.
IR TAIWAN: 16 Fl. Suite D.207, Sec. 2, Tun Haw South Road, Taipei, 10673, Taiwan. Tel: 886 2 2377 9936.

<http://www.irf.com>

Fax-On-Demand: +44 1883 733420

Data and specifications subject to change without notice.