

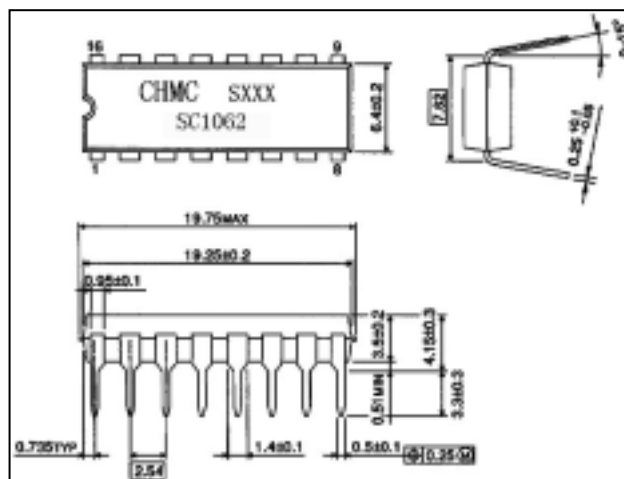


LOW VOLTAGE TRANSMISSION CIRCUITS WITH DIALLER INTERFACE SC1062/SC1062A

GENERAL DESCRIPTION

The SC1062/SC1062A are integrated circuits that perform all speech and line interface functions required in fully electronic telephone sets. They perform electronic switching between dialing and speech. The ICs operate at line voltage down to 1.6V DC (with reduced performance) to facilitate the use of more telephone sets connected in parallel.

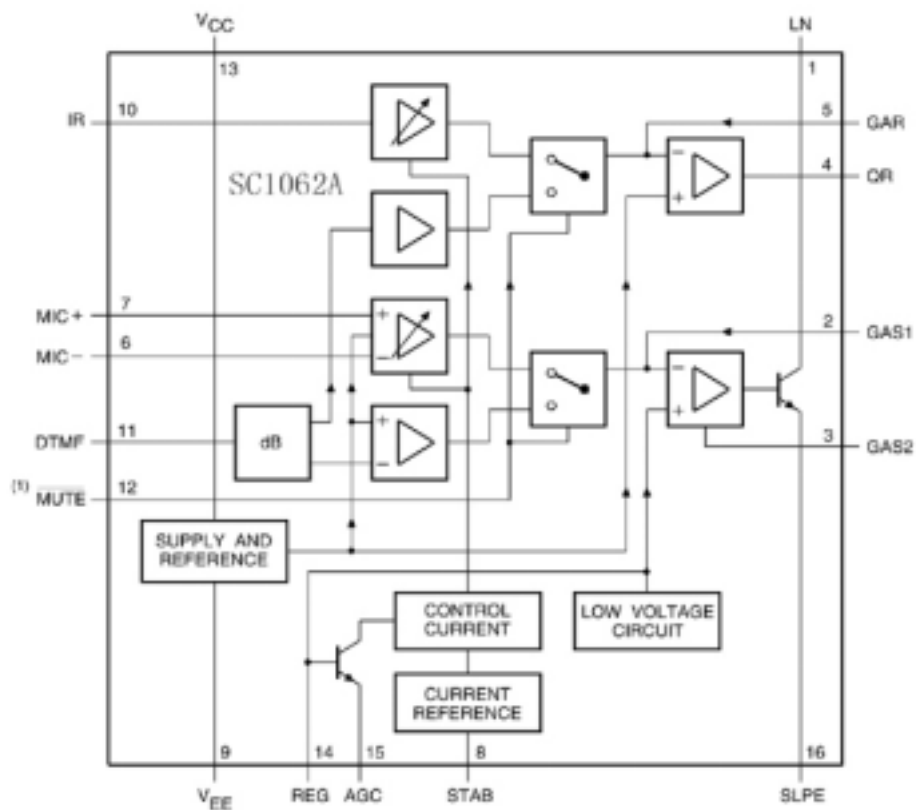
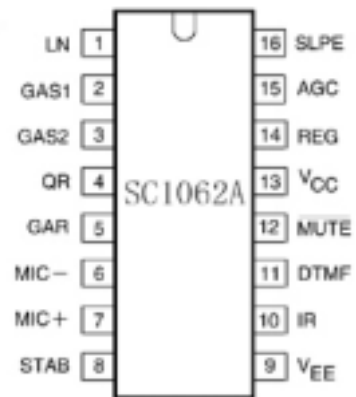
Outline Drawing



All statements and values refer to all versions unless otherwise specified.

FEATURES

- Low DC line voltage: operates down to 1.6V (excluding polarity guard)
- Voltage regulator with adjustable static resistance
- Provides a supply for external circuits
- Symmetrical high-impedance inputs (64kΩ) for dynamic, magnetic or piezoelectric microphones
- Asymmetrical high-impedance input (32kΩ) for electret microphones
- DTMF signal input with confidence tone
- Mute input for pulse or DTMF dialing
 - SC1062: active HIGH (MUTE)
 - SC1062A: active LOW ($\overline{\text{MUTE}}$)
- Receiving amplifier for dynamic, magnetic or piezoelectric earpieces
- Large gain setting ranges on microphone and earpiece amplifiers
- Line loss compensation (line current dependent) for microphone and earpiece amplifiers
- Gain control curve adaptable to exchange supply
- DC line voltage adjustment facility

BLOCK DIAGRAM**PIN CONNECTION**

Note: pin 12 is active HIGH (MUTE) for SC1062

PIN DESCRIPTION

PIN	SYMBOL	DESCRIPTION	PIN	SYMBOL	DESCRIPTION
1	LN	Positive line terminal	9	V _{EE}	Negative line terminal
2	GAS1	Gain adjustment; transmitting amplifier	10	IR	Receiving amplifier input
3	GAS2	Gain adjustment; transmitting amplifier	11	DTMF	Dual-tone multi-frequency input
4	QR	Non-inverting output; receiving amplifier	12	$\overline{\text{MUTE}}$	Mute input (see note)
5	GAR	Gain adjustment; receiving amplifier	13	V _{CC}	Positive supply decoupling
6	MIC-	Inverting microphone input	14	REG	Voltage regulator decoupling
7	MIC+	Non- inverting microphone input	15	AGC	Automatic gain control input
8	STAB	Current stabilizer	16	SLPE	Slope (DC resistance) adjustment

Note: pin 12 is active HIGH(MUTE) for SC1062

MAXIMUM VALUES

PARAMETER	SYMBOL	CONDITIONS	MIN	MAX.	UNIT
Positive continuous line voltage	V_{LN}			12	V
Repetitive line voltage during switch-on or line interruption	$V_{LN(R)}$			13.2	V
Repetitive peak line voltage for a 1ms pulse per 5s	$V_{LN(RM)}$	$R9=20\Omega; R10=13\Omega$		28	V
Line current	I_{line}	$R9=20\Omega$; note 1		140	mA
Input voltage on all other pins	V_I	Positive input voltage		$V_{CC}+0.7$	V
		Negative input voltage		-0.7	V
Total power dissipation	P_D	$R9=20\Omega$; note 2		666	mW
Operating ambient temperature	T_{amb}		-25	+75	$^{\circ}C$
Storage temperature	T_{stg}		-40	+125	$^{\circ}C$
Junction temperature	T_j			125	$^{\circ}C$

Notes:

1. Mostly dependent on the maximum required T_{amb} and on the voltage between LN and SLPE
2. Calculated for the maximum ambient temperature specified ($T_{amb}=75^{\circ}C$) and a maximum junction temperature of $125^{\circ}C$

ELECTRIC CHARACTERISTICS

Unless otherwise specified: $I_{line}=11$ to $140mA$; $V_{EE}=0V$; $f=800Hz$; $T_{amb}=25^{\circ}C$.

Characteristic	Symbol	Condition	Min.	Typ.	Max.	Unit
Microphone inputs MIC- and MIC+(Pins 6 and 7)						
Input impedance differential	$ Z_{is} $	Between MIC- and MIC+		64		k Ω
Input impedance single-ended	$ Z_{is} $	MIC- or MIC+ to V_{EE}		32		k Ω
Common mode rejection ratio	CMRR			82		dB
Voltage gain MIC+ or MIC- to LN	G_v	$I_{line}=15mA; R7=68k\Omega$	50	52	54	dB
Gain variation with frequency referenced to 800Hz	G_{vf}	$f=300\sim 3400Hz$		± 0.2		dB
Gain variation with temperature referenced to $25^{\circ}C$	G_{vt}	Without R6; $I_{line}=50mA$ $T_{amb}=-25\sim +75^{\circ}C$		± 0.2		dB
Gain adjustment inputs GAS1 and GAS2 (pins 2 and 3)						
Transmitting amplifier gain variation by adjustment of R7 between GAS1 and GAS2	G_v		-8		0	dB

ELECTRIC CHARACTERISTICS

continue

Characteristic	Symbol	Condition	Min.	Typ.	Max	Unit	
Supplies LN and Vcc (pins 1 and 13)							
Voltage drop over circuit between LN and V _{EE}	V _{LN}	MIC inputs open-circuit	I _{line} =1mA		1.6		V
			I _{line} =4mA		1.9		
			I _{line} =15mA	3.55	4.0	4.25	
			I _{line} =100mA	4.9	5.7	6.5	
			I _{line} =140mA			7.5	
Variation with temperature	V _{LN} / T	I _{line} =15mA		-0.3		mV/K	
Voltage drop over circuit between LN and V _{EE} with external resistor R _{VA}	V _{LN}	I _{line} =15mA; R _{VA} (LN to REG)=68kΩ		3.5		V	
		I _{line} =15mA; R _{VA} (REG to SLPE)=39kΩ		4.5			
Supply current	I _{cc}	V _{cc} =2.8V		0.9	1.35	mA	
Supply voltage available for peripheral circuitry SC1062	V _{cc}	I _{line} =15mA MUTE=HIGH	I _p =1.2mA	2.2	2.7		V
			I _p =0mA		3.4		
Supply voltage available for peripheral circuitry SC1062A	V _{cc}	I _{line} =15mA MUTE=LOW	I _p =1.2mA	2.2	2.7		V
			I _p =0mA		3.4		
DTMF input (pin 11)							
Input impedance	Z _{is}			20.7		kΩ	
Voltage gain from DTMF to LN	G _v	I _{line} =15mA; R ₇ =68kΩ	24	25.5	27	dB	
Gain variation with frequency referenced to 800Hz	G _{vf}	f=300~ 3400Hz		± 0.2		dB	
Gain variation with temperature referenced to 25°C	G _{vt}	I _{line} =50mA T _{amb} =-25~+75°C		± 0.2		dB	
Sending amplifier output LN (pin 1)							
Output voltage (RMS value)	V _{LN} (rms)	THD=10%	I _{line} =4mA		0.8		V
			I _{line} =15mA	1.7	2.3		
Noise Output voltage (RMS value)	V _{no} (rms)	I _{line} =15mA; R ₇ =68kΩ; 200Ω between MIC- and MIC+		-69		dBmp	
Receiving amplifier input IR (pin 10)							
Input impedance	Z _{is}			20		kΩ	
Gain adjustment input GAR (pin 5)							
Receiving amplifier gain variation by adjustment of R ₄ between GAR and QR	G _v		-11		0	dB	

ELECTRIC CHARACTERISTICS

continue

Characteristic	Symbol	Condition	Min.	Typ.	Max.	Unit
Receiving amplifier output QR (pin 4)						
Output impedance	Zos			4		Ω
Voltage gain from IR to QR	Gv	Iline=15mA; RL=300Ω (from pin9 to pin4)	29.5	31	32.5	dB
Gain variation with frequency referenced to 800Hz	Gvf	f=300~ 3400Hz		± 0.2		dB
Gain variation with temperature referenced to 25°C	Gvt	Without R6; Iline=50mA Tamb=-25~+75°C		± 0.2		dB
Output voltage (RMS value)	Vo(rms)	THD=2%; since wave drive; R4=100kΩ; Iline=50mA; Ip=0mA	RL=150Ω	0.22	0.33	V
			RL=450Ω	0.3	0.48	
Output voltage (RMS value)	Vo(rms)	THD=10%; R4=100kΩ; RL=150Ω; Iline=4mA		15		mV
Noise Output voltage (RMS value)	Vno(rms)	Iline=15mA; R4=100kΩ IR open-circuit RL=300Ω		50		μV
Mute input (pin 2)						
HIGH level input voltage	VIH		1.5		Vcc	V
LOW level input voltage	VIL				0.3	V
Input current	IMUTE			8	15	μA
Reduction of gain						
MIC+ or MIC- to LN	Gv	SC1062	MUTE=HIGH		70	dB
		SC1062A	MUTE=LOW		70	dB
Voltage gain from DTMF to QR	Gv	SC1062	MUTE=HIGH R4=100 kΩ; RL=300Ω		-17	dB
		SC1062A	MUTE=LOW R4=100kΩ; RL=300Ω		-17	dB
Automatic gain control input AGC (pin 5)						
Controlling the gain from IR to QR and the gain from MIC+, MIC- to LN gain control range	Gv	R6=110kΩ (between AGC and VEE) Iline=70mA		-5.8		dB
Highest line current for maximum gain	IlineH			23		mA
Lowest line current for maximum gain	IlineL			61		mA

FUNCTION DESCRIPTION**Supply: Vcc, LN, SLPE, REG and STAB**

Power for the SC1062 and its peripheral circuits is usually obtained from the telephone line. The IC supply voltage is derived from the line via a dropping resistor and regulated by the SC1062, The supply voltage Vcc may also be used to supply external circuits e.g. dialing and control circuits. Decoupling of the supply voltage is performed by a capacitor between Vcc and VEE while the internal voltage regulator is decoupled by a capacitor between REG and VEE.

The DC current drawn by the device will vary in accordance with varying values of the exchange voltage(Vexch), the feeding bridge resistance(Rexch) and the DC resistance of the telephone line(Rline).

The SC1062 has an internal current stabilizer operating at a level determined by a 3.6kΩ resistor connected between STAB and VEE(see Fig.8). When the line current (Iline) is more than 0.5 mA greater than the sum of the IC supply current (Icc) and the current drawn by the peripheral circuitry connected to Vcc (Ip) the excess current is shunted to VEE via LN.

The regulated voltage on the line terminal(VLN) can be calculated as:

$$V_{LN} = V_{ref} + I_{SLPE} * R_9 \text{ or;}$$

$$V_{LN} = V_{ref} + [(I_{line} - I_{cc} - 0.5 * 10^{-3} \text{ A}) - I_p] * R_9$$

where: Vref is an internally generated temperature compensated reference voltage of 3.7V and R9 is an external resistor connected between SLPE and VEE. In normal use the value of R9 would be 20Ω. Changing the value of R9 will also affect microphone gain, DTMF gain, in control characteristics, ide-tone level, maximum output swing on LN and the dc characteristics(especially at the lower voltages).

Under normal conditions, when $I_{SLPE} \geq I_{cc} + 0.5\text{mA} + I_p$, the static behavior of the circuit is that of a 3.7V regulator diode with an internal resistance equal to that of R9. In the audio frequency range the dynamic impedance is largely determined by R1. Fig.3 shows the equivalent impedance of the circuit.

Microphone inputs (MIC+ and MIC-) and gain pins (GAS1 and GAS2)

The SC1062 has symmetrical inputs. Its input impedance is $64\text{k}\Omega$ ($2 \times 32\text{k}\Omega$) and its voltage gain is typically 52dB (when $R7=68\text{k}\Omega$. see Fig.13). Dynamic, magnetic, piezoelectric or electret (with built-in FET source followers) can be used. Microphone arrangements are illustrated in Fig.10. The gain of the microphone amplifier can be adjusted between 44dB and 52dB to suit the sensitivity of the transducer in use. The gain is proportional to the value of $R7$ which is connected between GAS1 and GAS2. Stability is ensured by the external capacitors, $C6$ connected between GAS1 and SLPE and $C8$ connected between GAS1 and V_{EE} . The value of $C6$ is 100pF but this may be increased to obtain a first-order low-pass filter. The value of $C8$ is 10 times the value of $C6$. The cut-off frequency corresponds to the time constant $R7 \times C6$.

Mute input (MUTE)

A HIGH level at MUTE enables DTMF input and inhabits the microphone inputs and the receiving amplifier inputs; a LOW level or an open circuit does the reverse. Switching the mute input will cause negligible click is at the telephone outputs and on the line. In case the line current drops below 6mA (parallel operation of more sets) the circuit is always in speech condition independent of the DC level applied to the MUTE input. (SC1062A pin12 is MUTE)

Dual-tone multi-frequency input (DTMF)

When the DTMF input is enabled dialing tones may be sent onto the line. The voltage gain from DTMF to LN is typically 25.5dB (when $R7=68\text{k}\Omega$) and varies with $R7$ in the same way as the microphone gain. The signaling tones can be heard in the ear piece at a low level (confidence tone).

Receiving Amplifier (IR, OR and GAR)

The receiving amplifier has one input (IR) and a non-inverting output (OR). Ear piece arrangements are illustrated in Fig.11. The IR to OR gain is typically 31dB (when $R4=100k\Omega$). It can be adjusted between 20 and 31dB to match the sensitivity of the transducer in use. The gain is set with the value of $R4$ which is connected between GAR and OR. The overall receive gain, between LN and OR, is calculated subtracting the anti-sidetone network attenuation (32dB) from the amplifier gain. Two external capacitors, $C4$ and $C7$, ensure stability. $C4$ is normally 100pF and $C7$ is 10 times the value of $C4$. The value of $C4$ may be increased to obtain a first-order low-pass filter. The cut-off frequency will depend on the time constant $R4*C4$.

The output voltage of the receiving amplifier is specified for continuous-wave drive. The maximum output voltage will be higher under speech conditions where the peak to RMS ratio is higher.

Automatic gain control input AGC)

Automatic line loss compensation is achieved by connecting a resistor ($R6$) between AGC and VEE. The automatic gain control varies the gain of the microphone amplifier and the receiving amplifier in accordance with the DC line current. The control range is 5.8dB which corresponds to a line length of 5km for a 0.5mm diameter twisted pair copper cable with a DC resistance of $176\Omega/km$ and average attenuation of 1.2dB/km. Resistor $R6$ should be chosen in accordance with the exchange supply voltage and its feeding bridge resistance (see Fig.12 and Table 1). The ratio of start and stop currents of the AGC curve is independent of the value of $R6$. If no automatic line loss compensation is required the AGC may be left open-circuit. The amplifier, in this condition, will give their maximum specified gain.

Side-tone suppression

The anti-sidetone network, $R1//Zline$, $R2$, $R3$, $R8$, $R9$ and $Zbal$, (see Fig.4) suppresses the transmitted signal in the ear piece. Compensation is maximum when the following conditions are fulfilled:

- (a) $R9*R2=R1[R3+(R8//Zbal)]$;
- (b) $[Zbal/(Zbal+R8)]=[Zline/(Zline+R1)]$;

If fixed values are chosen for R1, R2, R3 and R9 then condition (a) will always be fulfilled when $R8/Z_{bal} \ll R3$. To obtain optimum side-tone suppression condition (b) has to be fulfilled which results in: $Z_{bal}=(R8/R1)$ $Z_{line}=k*Z_{line}$ where k is a scale factor; $k=(R8/R1)$. The scale factor (k), dependent on the value of R8, is chosen to meet following criteria:

- (a) Compatibility with a standard capacitor from the E6 or E12 range for Z_{bal} ,
- (b) $|Z_{bal}/R8| \ll R3$ fulfilling condition (a) and thus ensuring correct anti-sidetone bridge operation,
- (c) $|Z_{bal}+R8| \gg R9$ to avoid influencing the transmitter gain.

In practice Z_{line} varies considerably with the type and length. The value chosen for Z_{bal} should therefore be for an average line length thus giving optimum setting for short or long lines.

Example

The balance impedance Z_{bal} at which the optimum suppression is present can be calculated by: Suppose $Z_{line} = 210\Omega + (1265\Omega//140nF)$ representing a 5km line of 0.5mm diameter, copper, twisted pair cable matched to 600Ω ($176\Omega/km$; $38nF/km$). When $k=0.64$ then $R8=390\Omega$, $Z_{bal}=130\Omega + (820\Omega//220nF)$.

At line currents below 9mA the internal reference voltage is automatically adjusted to a lower value (typically 1.6V at 1mA). This means that more sets can be operated in parallel with DC line voltages (excluding the polarity guard) down to an absolute minimum voltage of 1.6V. With line currents below 9mA the circuit has limited sending and receiving levels. The internal reference voltage can be adjusted by means of an external resistor (R_{VA}). This resistor when connected between LN and REG will decrease the internal reference voltage and when connected between REG and SLPE will increase the internal reference voltage.

Current (I_p) available from V_{cc} for peripheral circuits depends on the external components used. Fig.9 shows this current for $V_{cc} > 2.2V$. If MUTE is LOW when the receiving amplifier is driven the available current is further reduced. Current availability can be increased by connecting the supply IC (1081) in parallel with R1, as shown in Fig.16(c), or, by increasing the DC line voltage by means of an external resistor (R_{VA}) connected between REG and SLPE.

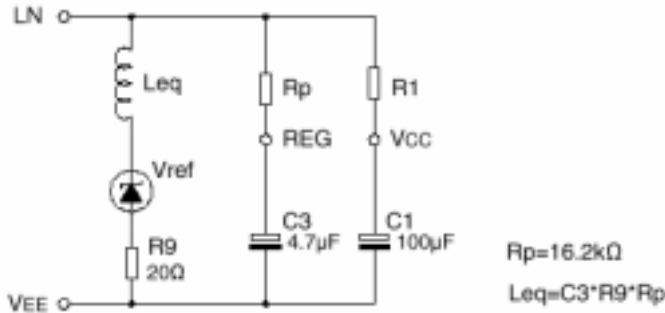


Fig.3 Equivalent impedance circuit

The anti-sidetone network for the SC1062 family shown in Fig.4 attenuates the signal received from the line by 32dB before it enters the receiving amplifier. The attenuation is almost constant over the whole audio frequency range. Fig.5 shows a conventional Wheat stone bridge anti-sidetone circuit that can be used as an alternative. Both bridge types can be used with either resistive or complex set impedance.

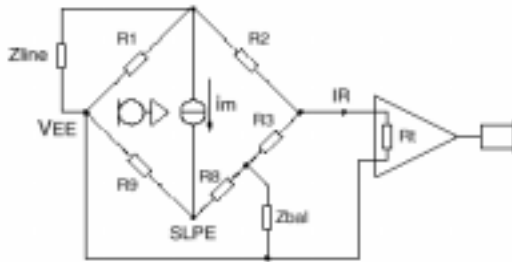


Fig.4 Equivalent circuit of SC1062 Anti-sidetone bridge

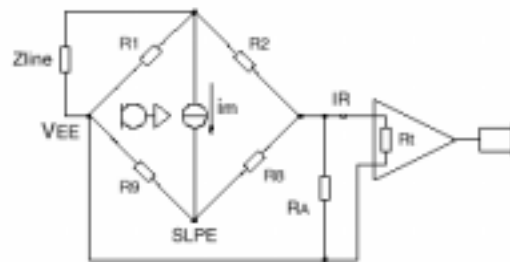


Fig.5 Equivalent circuit of an anti-sidetone network in a wheat stone bridge configuration

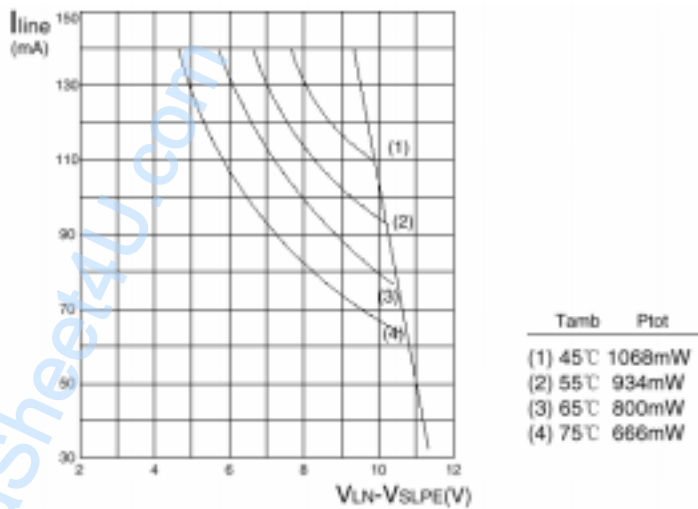


Fig.6 SC1062 safe operating area

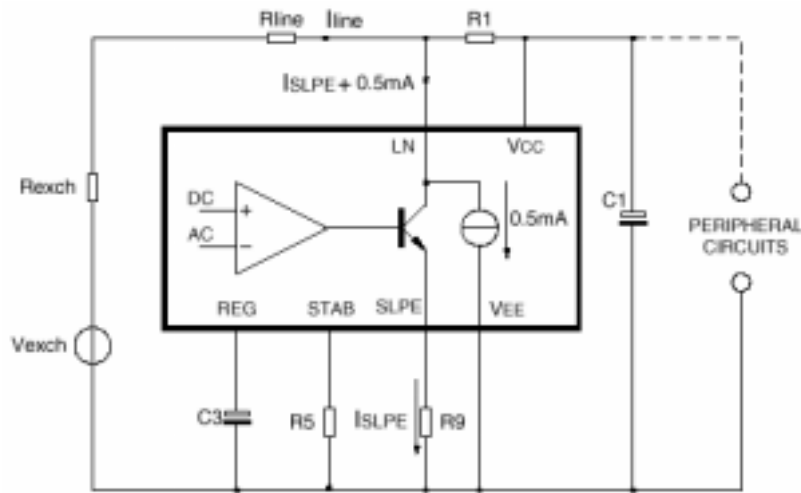


Fig.8 Supply arrangement

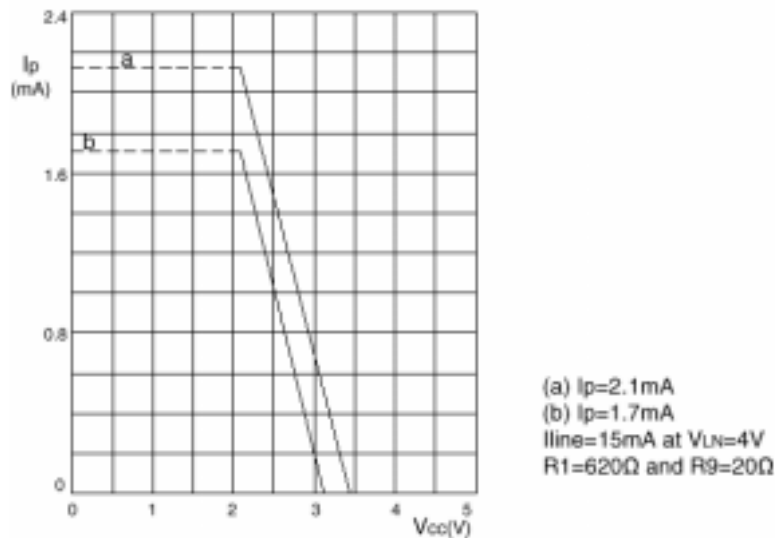
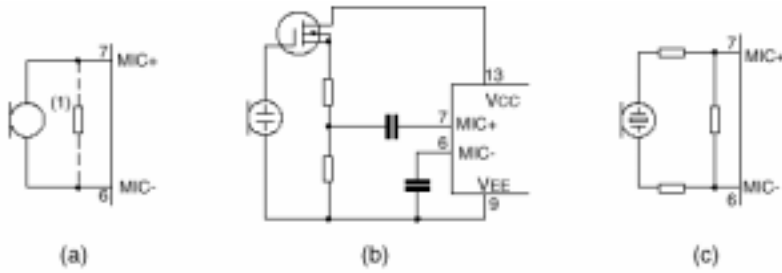
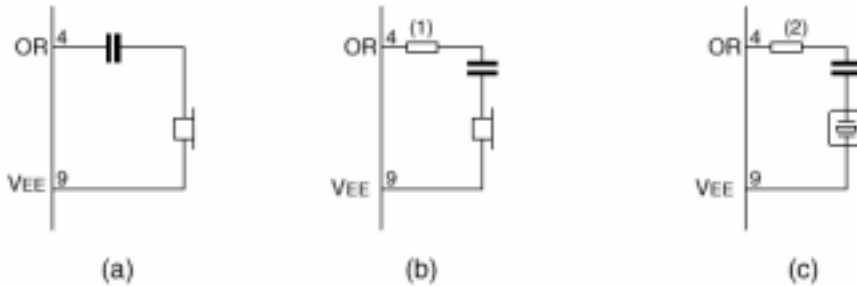


Fig.9 Typical current I_p available from V_{CC} peripheral circuitry with $V_{CC} \geq 2.2V$.
 curve (a) is valid when the receiving amplifier is not driven or when MUTE =HIGH. curve (b) is valid when MUTE=LOW and the receiving amplifier is driven; $V_o(\text{rms})=150\text{mV}$, $R_L=150\Omega$. The supply possibilities can be increased simply by setting the voltage drop over the circuit V_{LN} to a high value by means of resistor R_{VA} connected between REG and SLPE.



- (a) Magnetic or dynamic microphone. The resistor marked (1) may be connected to decrease the terminating impedance.
- (b) Electret microphone.
- (c) Piezoelectric microphone.

Fig. 10 Alternative microphone arrangement



- (a) Dynamic ear piece.
- (b) Magnetic ear piece. The resistor marked (1) may be connected to prevent distortion (inductive load)
- (c) Piezoelectric ear piece. The ear piece marked (2) is required to increase the phase margin (capacitive load)

Fig.11 Alternative receiver arrangement

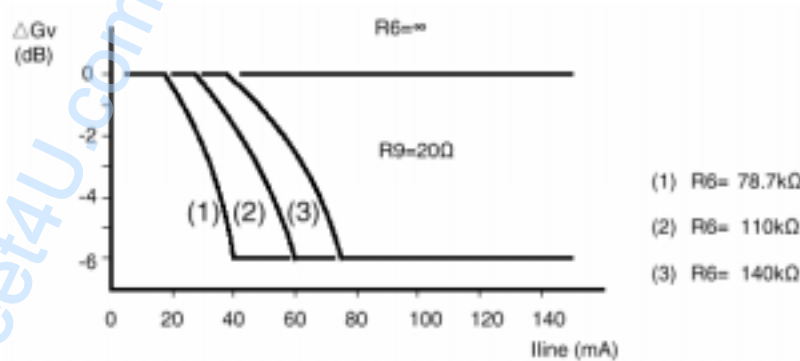


Fig.12 Variation of gain with line current, with R6 as a parameter

		R _{exch} (Ω)			
		400	600	800	1000
		R ₆ (kΩ)			
V _{exch} (V)	36	100	78.7	×	×
	48	140	110	93.1	82
	60	×	×	120	102

Table 1 Values of resistor R₆ for optimum line loss compensation, for various usual values of exchange supply voltage (V_{exch}) and exchange feeding bridge resistance (R_{exch}); R₉=20Ω

TEST CIRCUIT

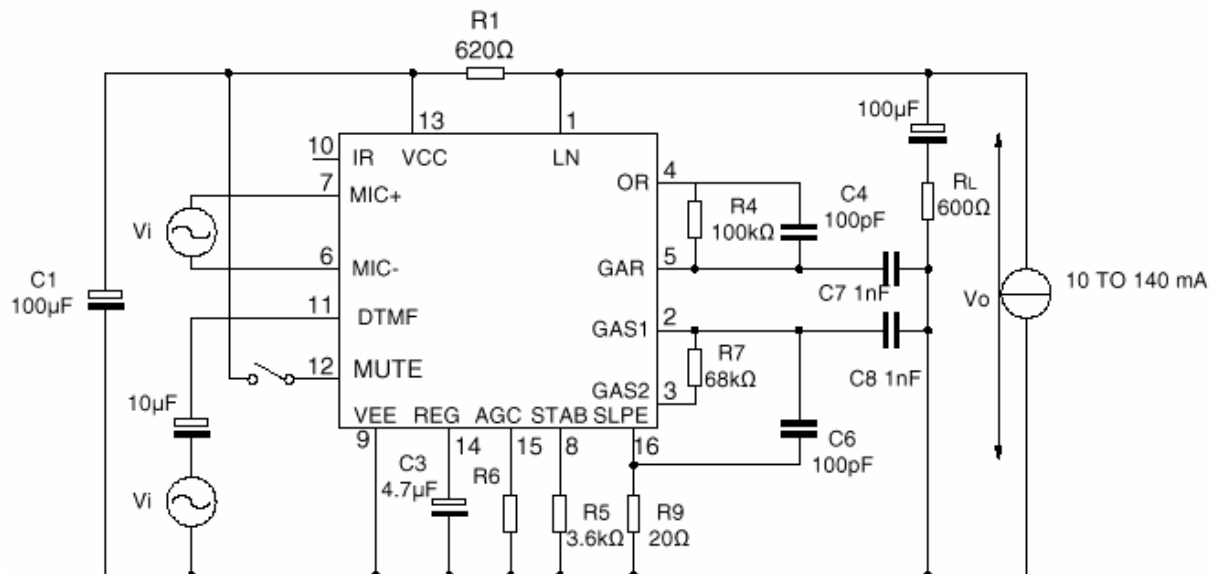


Fig.13 Test circuit defining voltage gain of MIC+, MIC- and DTMF inputs. Voltage gain is defined as: $G_v = 20 \cdot \log(|V_O/V_i|)$. For measuring the gain from MIC+ and MIC- the MUTE input should be LOW or open-circuit, for measuring the DTMF input MUTE should be HIGH. Inputs not under test should be open-circuit.

SC1062A pin12 is MUTE

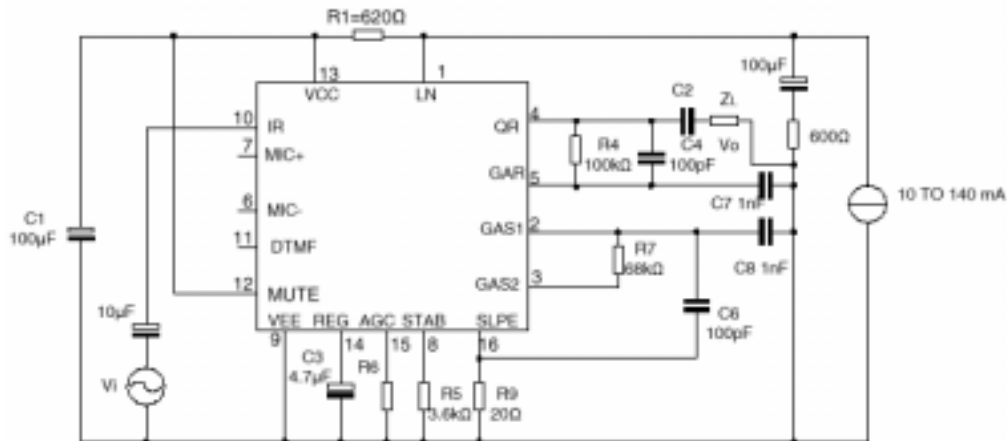


Fig.14 Test circuit for defining voltage gain of the receiving amplifier. Voltage gain is defined as: $G_v = 20 \cdot \log(|V_O/V_i|)$. SC1062A pin12 is MUTE

APPLICATION CIRCUIT

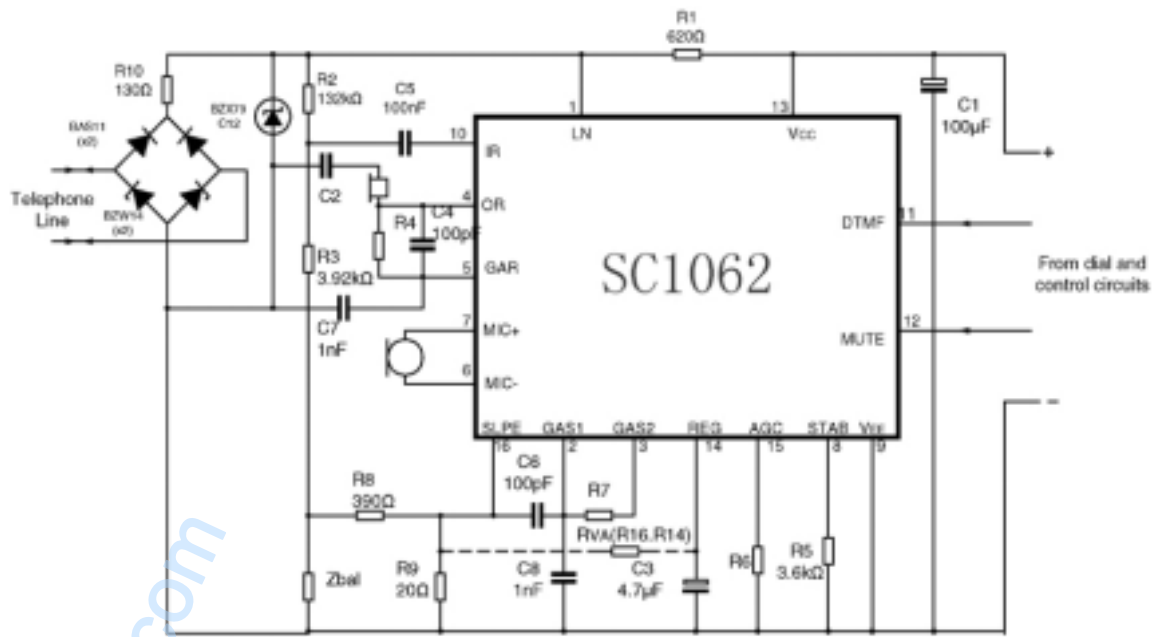


Fig. 15 Typical application of the SC1062, shown here with a piezoelectric ear piece and DTMF dialing. The bridge to the left, the Zener diode and R10 limit the current into the circuit and the voltage across the circuit during line transients. Pulse dialing or register recall required a different protection arrangement. The DC line voltage can be set to a higher value by resistor R_{VA} (REG to SLPE).

SC1062A pin12 is MUTE

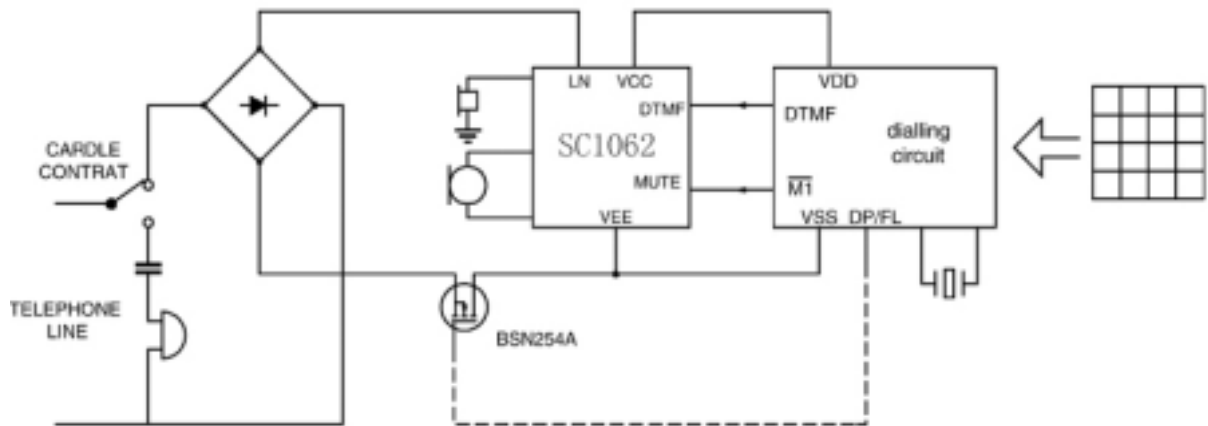


Fig.16 Typical applications of the SC1062 (simplified)

The dashed lines show an optional flash (register recall by timed loop break).

SC1062A pin12 is $\overline{\text{MUTE}}$