

## POWER MANAGEMENT

### Description

The SC1109 was designed for the latest high speed motherboards. It combines a synchronous voltage mode controller (switching section) with two low-dropout linear regulator controllers. The voltage mode controller provides the power supply for the system AGTL bus. The Dual linear controllers power the chip set and clock circuitry.

The SC1109A switching section features lossless current sensing, while SC1109C provides programmable over current limit. SC1109 also utilizes latched driver outputs for enhanced noise immunity. SC1109A and SC1109C operate at a fixed frequency of 200kHz, and the SC1109B is available at a fixed frequency of 500kHz. The VTT output voltage is internally fixed at 1.2V

The SC1109 linear sections are low dropout regulators designed to track the 3.3V power supply when it turns on or off. The voltage for the linear controllers LDO1, and LDO2 are 1.8V/1.5V.

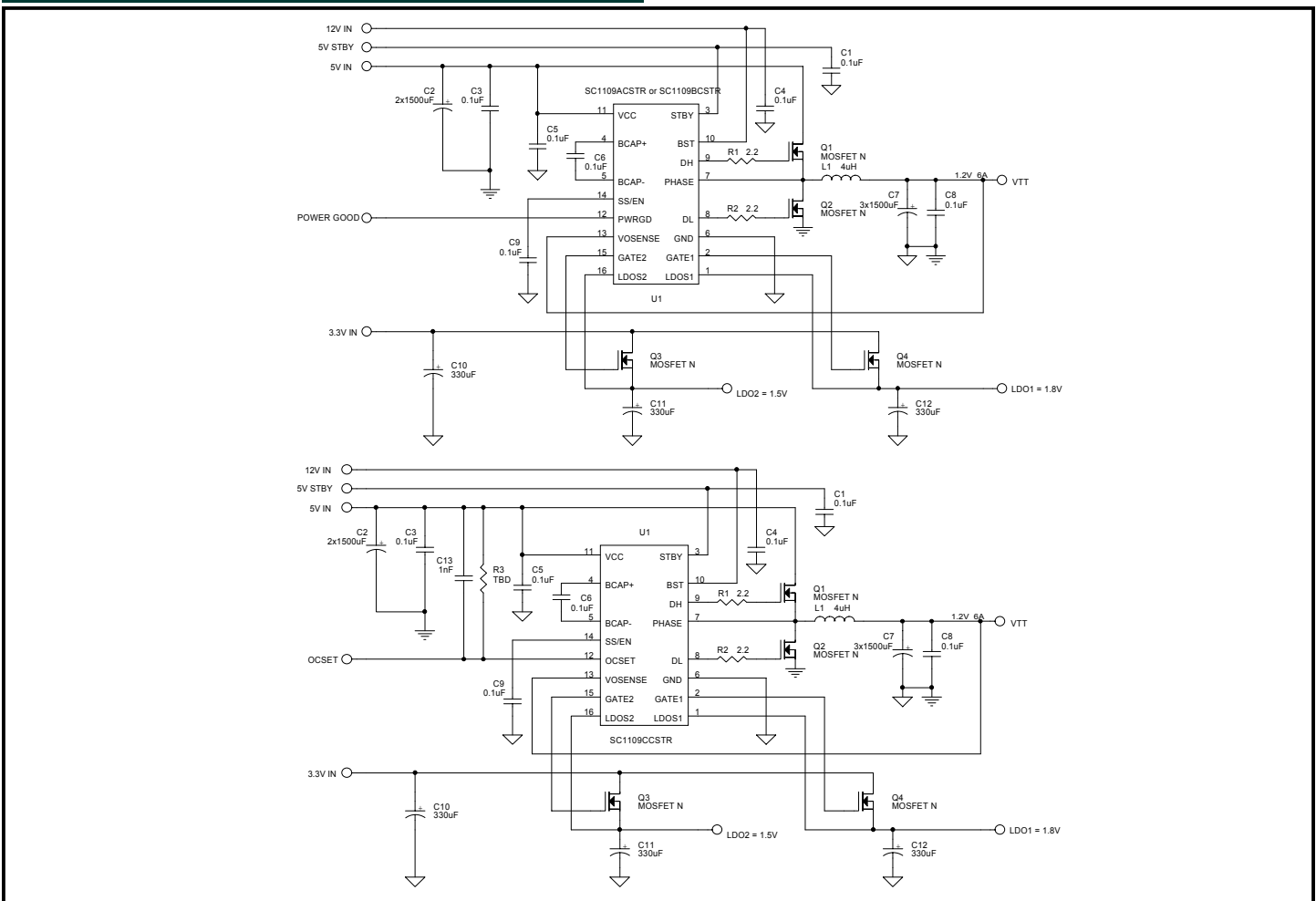
### Features

- ◆ Dual linear controllers
- ◆ LDOs track input voltage within 200mV (function of the MOSFETs used) until regulation
- ◆ Integrated drivers
- ◆ Power good signal (SC1109A, SC1109B)
- ◆ Soft start
- ◆ Lossless current sense
- ◆ Programmable over current limit (SC1109C)
- ◆ 200kHz (SC1109A, SC1109C), and 500kHz (SC1109B) fixed frequency.

### Applications

- ◆ Pentium® III Motherboards
- ◆ Triple power supplies

### Typical Application Circuit



**POWER MANAGEMENT**
**Absolute Maximum Ratings**

Exceeding the specifications below may result in permanent damage to the device, or device malfunction. Operation outside of the parameters specified in the Electrical Characteristics section is not implied.

Parameter	Symbol	Maximum	Units
VCC to GND		-0.3 to +7	V
STBY to GND		-0.3 to +7	V
BST to GND		-0.3 to +20	V
PHASE to GND		-1 to +15	V
LDOSx		-0.3 to 5	V
Operating Temperature Range	$T_A$	0 to +70	°C
Junction Temperature Range	$T_J$	0 to +125	°C
Storage Temperature Range	$T_{STG}$	-65 to +150	°C
Lead Temperature (Soldering) 10 Seconds	$T_L$	300	°C
Thermal Resistance Junction to Ambient	$\theta_{JA}$	130	°C/W
Thermal Impedance Junction to Case	$\theta_{JC}$	30	°C/W

**Electrical Characteristics**

Unless specified: VOSENSE =  $V_O$ ; Vcc=4.75V to 5.25V; STBY=4.75V to 5.25V; BST = 11.4V to 12.6V;  $T_A$  = 0 to 70°C

Parameter	Symbol	Conditions	MIN	TYP	MAX	UNITS
<b>Supply (<math>V_{CC}</math>)</b>						
Supply Voltage	$V_{CC}$		4.4	5	5.25	V
Supply Quiescent Current	$I_{CCQ}$	$V_{CC} = 5V, SS/EN = 0V$		8	12	mA
Supply Operating Current <sup>(1)</sup>	$I_{CC}$	$V_{CC} = 5V, SS/EN > 1V$			20	mA
<b>Switching Section</b>						
Output Voltage <sup>(1)</sup>	$V_{TT}$	$I_O = 2A$	1.188	1.200	1.212	V
Load Regulation <sup>(1)</sup>	LOAD <sub>REG</sub>	$I_O = 0A$ to 6A		1		%
Line Regulation <sup>(1)</sup>	LINE <sub>REG</sub>	$V_{in} = 4.75V$ to 5.25V		± 0.15		%
Oscillator Frequency	$f_{OSC}$	SC1109A	175	200	225	kHz
		SC1109B	450	500	550	kHz
		SC1109C	175	200	225	kHz
Oscillator Max Duty Cycle	D		90	95		%
Current Limit trip ( $V_{in}-V_{PHASE}$ )	$V_{trip\_limit}$	SC1109A	180	200	220	mV
		SC1109B	180	200	220	mV
	$I_{trip\_limit}$	SC1109C	112	160	208	uA
OscillatorGain ( $A_{OL}$ ) <sup>(3)</sup>	GAIN <sub>VTT</sub>	VOSENSE to $V_O$		35		dB
<b>Under Voltage Lock Out</b>						
Threshold	$V_{CC\_HIGH}$		3.9	4.1	4.4	V
Hysteresis	$V_{CC\_HYST}$			200		mV
<b>Power Good</b>						
Power Good Threshold Voltage	PG <sub>th</sub>		88		112	%
<b>Soft Start / Enable</b>						
SS/EN Source current <sup>(2)</sup>	Is <sub>source</sub> <sub>SS/EN</sub>	$V_{SS/EN} = 1.5V$	5	10	12	μA
SS/EN Sink current <sup>(2)</sup>	Is <sub>sink</sub> <sub>SS/EN</sub>	$V_{SS/EN} = 1.5V$	1	2	3	μA
Shutdown Voltage	$V_{SS/EN}$			600	650	mV

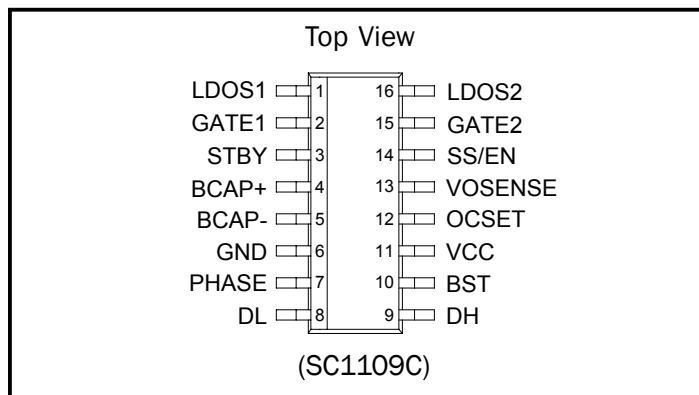
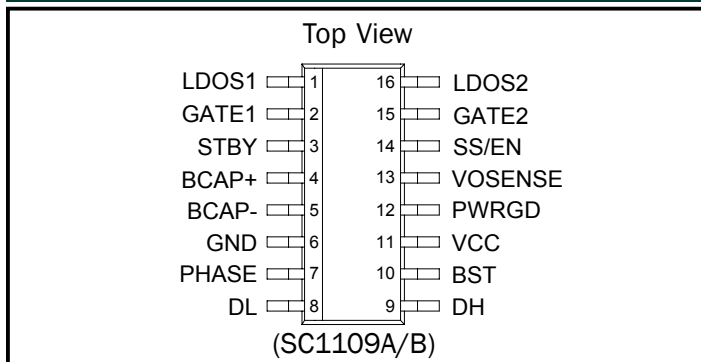
**POWER MANAGEMENT**
**Electrical Characteristics (Cont.)**

 Unless specified: VOSENSE = V<sub>O</sub>; Vcc=4.75V to 5.25V; STBY=4.75V to 5.25V; BST = 11.4V to 12.6V; T<sub>A</sub> = 0 to 70°C

Parameter	Symbol	Conditions	MIN	TYP	MAX	UNITS
<b>Internal Drivers</b>						
Peak DH Source Current	I <sub>source<sub>DH</sub></sub>	BST-DH = 4.5V	500			mA
Peak DH Sink Current	I <sub>sink<sub>DH</sub></sub>	DH-PHASE = 3.1V	500			mA
		DH-PHASE = 1.5V	100			mA
Peak DL Source Current	I <sub>source<sub>DL</sub></sub>	VCC-DL = 4.5V	500			mA
Peak DL Sink Current	I <sub>sink<sub>DL</sub></sub>	DL-GND = 3.1V	500			mA
		DL-GND = 1.5V	100			mA
Dead time	T <sub>DEAD</sub>		40	100		ns
<b>Linear Sections</b>						
Standby Voltage	V <sub>STBY</sub>		4.4	5	5.25	V
Standby Quiescent current	I <sub>STDBYQ</sub>	VSTBY = 5V, SS/EN = 0V			9	mA
Tracking Difference <sup>(1)(4)</sup>	Delta <sub>TRACK</sub>			200		mV
Output Voltage LDO1	V <sub>LDO1</sub>	I <sub>o</sub> = 0 to 4A, Vin = 3.3V	1.782	1.818	1.854	V
Output Voltage LDO2	V <sub>LDO2</sub>	I <sub>o</sub> = 0 to 4A, Vin = 3.3V	1.470	1.500	1.530	V
Load Regulation	LOAD <sub>REG</sub>	I <sub>o</sub> = 0 to 4A, Vin = 3.3V		0.3		%
Line Regulation	LINE <sub>REG</sub>	I <sub>o</sub> = 2A, Vin = 3.13V to 3.47V		0.3		%
LDOS(1,2) Input Impedance <sup>(3)</sup>	Z <sub>IN</sub>		10			kΩ
Gain (AOL) <sup>(3)</sup>	GAIN <sub>LDO</sub>	LDOS (1,2) to GATE (1,2)		50		dB

**Notes:**

- (1) All electrical characteristics are for the application circuit on page 16.
- (2) Soft start function is performed after Vcc is above the UVLO and SS/EN is above 600mV. The Soft start capacitor is then charged at a 10uA constant current until SS/EN is charged to above 1V.
- (3) Guaranteed by design
- (4) Tracking Difference is defined as the delta between 3.3V Vin and the LDO1, LDO2 output voltages during the linear ramp up until regulation is achieved. The tracking voltage difference might vary depending on MOSFETs RdS<sub>ON</sub>, and load conditions.
- (5) This device is ESD sensitive. Use of standard ESD handling precautions is required.

**POWER MANAGEMENT**
**Pin Configuration**

**Ordering Information**

Part Number <sup>(1)</sup>	Package	Linear Voltage	PWM Frequency	Over Current set	Temp Range (T <sub>j</sub> )
SC1109ACSTR	SO-16	1.8V/1.5V	200kHz	Internal	0° to 125°C
SC1109BSTR	SO-16	1.8V/1.5V	500kHz	Internal	0° to 125°C
SC1109CSTR	SO-16	1.8V/1.5V	200kHz	External	0° to 125°C
SC1109EVB	Evaluation Board				

**Note:**

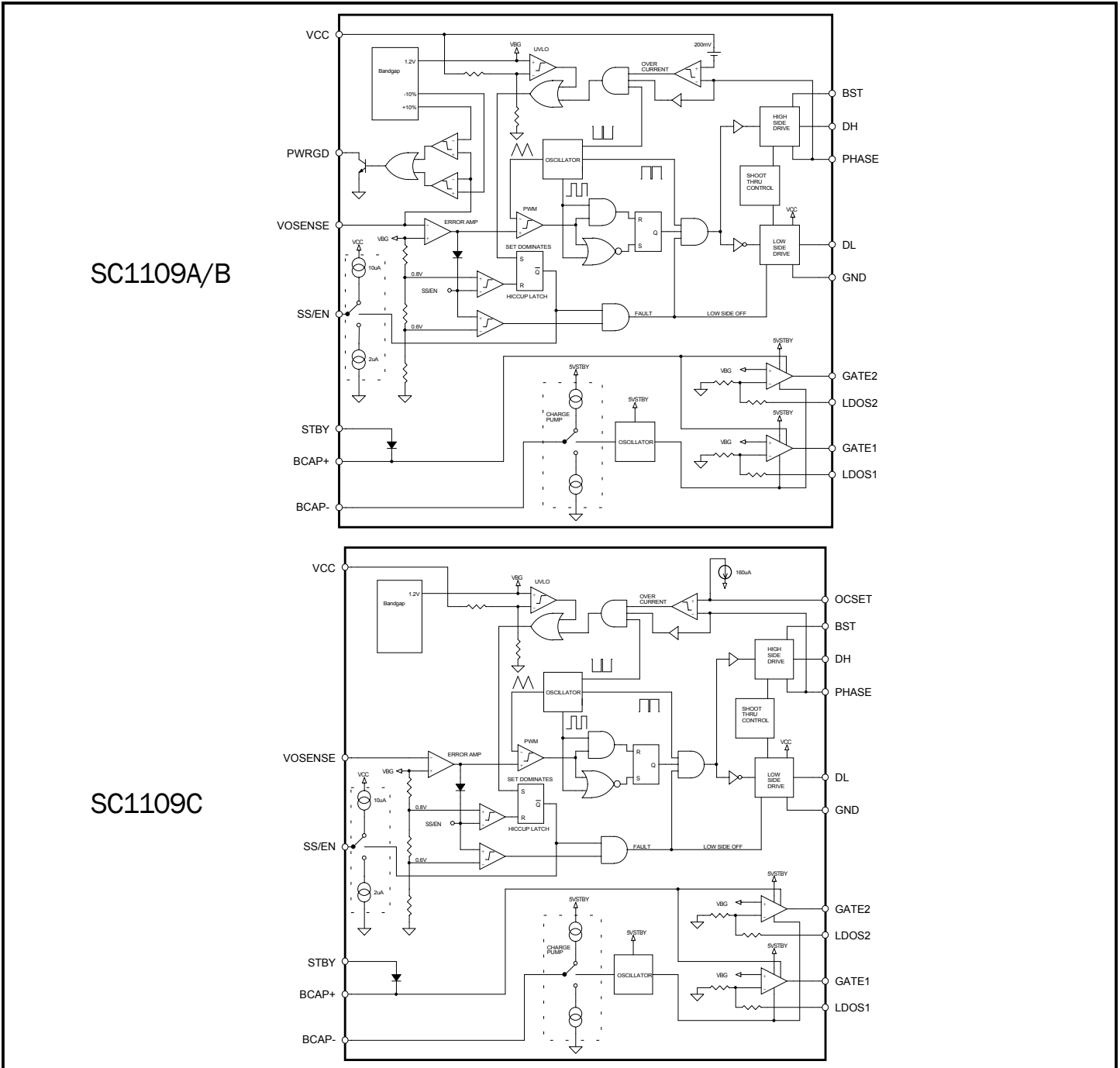
(1) Only available in tape and reel packaging. A reel contains 2500 devices.

**Pin Descriptions**

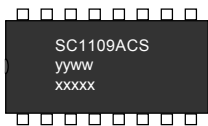
Pin #	Pin Name	Pin Function
1	LDOS1	Sense Input for LDO1.
2	GATE1	Gate Drive Output LDO1 (1.8V).
3	STBY	5V Standby Input, supplies power for Ref, Charge Pump, Oscillator and FET controllers. Should be present prior to other voltages and switched off last.
4	BCAP+	Positive Connection to Boost Capacitor.
5	BCAP-	Negative Connection to Boost Capacitor.
6	GND	Ground.
7	PHASE	Phase Node.
8	DL	Low Side Driver Output.
9	DH	High Side Driver Output.
10	BST	Boost Input.
11	VCC	Power Supply Input.
12	PWRGD	Open Collector Power Good Flag for 1.2V Output (SC1109A, and SC1109B).
	OCSET	Over current set pin for the PWM (SC1109C). A resistor to the Mosfets supply will program the over current level.
13	VOSENSE	Output Sense Input for 1.2V Output.
14	SS/EN	Soft Start/Enable.
15	GATE2	Gate Drive output LDO2 (1.5V).
16	LDOS2	Sense Input for LDO2.

POWER MANAGEMENT

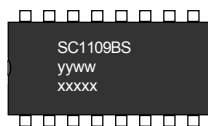
Block Diagram



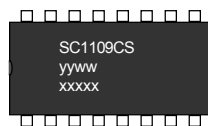
Marking Information



SC1109A



SC1109B



SC1109C

yyww = Datecode (Example: 9912)  
 xxxxx = Semtech Lot # (Example: 90101)

**POWER MANAGEMENT**
**Application Information**
**THEORY OF OPERATION**

The SC1109 has integrated a synchronous buck controller and two Low drop out regulator controllers into a 16 Pin SOIC package. The switching regulator provides a 1.2V (VTT) bus termination voltage for use in AGTL (Assisted Gunning Transceiver Logic), while the dual LDO regulators provide 1.5V, and 1.8V to power up the Chip set and the Clock circuitry used in Pentium® III Motherboards.

**SUPPLIES**

Two supplies, VSTBY, and VCC are used to power the SC1109. VSTBY supply provides the bias for the Internal Reference, Oscillator, and the LDO FET controllers. This supply should always be brought up first and turned off last in accordance with PC power configuration requirements. The VCC supply provides the bias for the Power Good circuitry, and the high side FET R<sub>ds(on)</sub> sensing/over current circuitry, VCC also is used to drive the low side MOSFET gate. An external 12V supply or a classical boot strapping technique can provide the gate drive for the upper Mosfet.

**PWM CONTROLLER**

SC1109 is a voltage mode buck controller that utilizes an internally compensated high bandwidth error amplifier to sense the VTT output voltage. External compensation components are not needed and a stable closed loop response is insured due to the internal compensation.

**START UP SEQUENCE**

Initially during the power up, the SC1109 is in under voltage lockout condition. The latch (SET dominant) in the hiccup section is set, and the SS/EN pin is pulled low by the 2µA soft start current source.

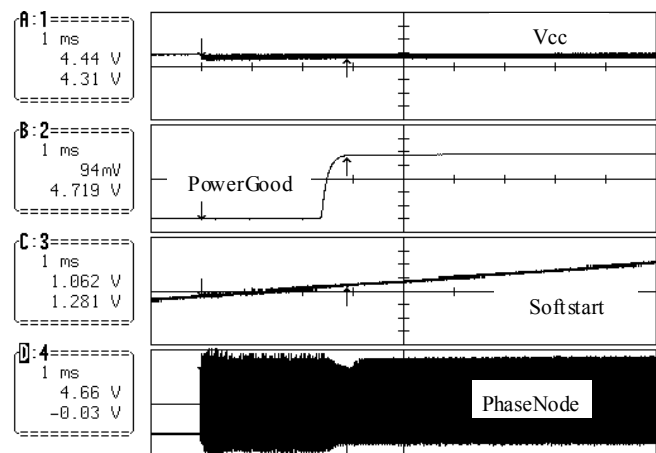
Mean while, the high side and low side gate drivers DH, and DL are kept low. Once the VCC exceeds the UVLO threshold of 4.2V, the latch is reset and the external soft start capacitor starts to be charged by a 10µA current source.

The gate drives are still kept off until the soft start capacitors voltage rises above 600mV, when the low side gate is turned on, and the high side gate is kept off.

The gate drive status stays the same until the capacitors voltage reaches 1V, when the error amplifier output starts to cross the oscillator triangular ramp of 1V to 2V.

As the SS/EN pin continues to rise, the error amplifier output also rises at the same rate and the duty cycle increases.

Once the VTT output has reached regulation and is within  $1.2V \pm 12\%$ , an open collector power good flag is activated, and the error amplifier output will no longer be clamped to the SS/EN voltage and will stay between 1V to 2V and maintain regulation of  $\pm 1\%$ . The SS/EN voltage continues to rise up to 2.5V and will stay at that voltage level during normal operation.



If an over current condition occurs, the SS/EN pin will discharge by a 2µA current source, from 2.5V to 800mV. During this time both DH, and DL will be turned off. Once the SS/EN reaches 800mV, the low side gate will be turned on, and the SS/EN pin will again start to be charged by the 10µA current source, and the same soft start sequence mentioned above will be repeated.

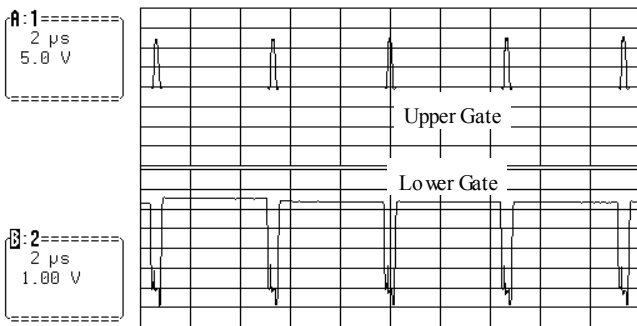
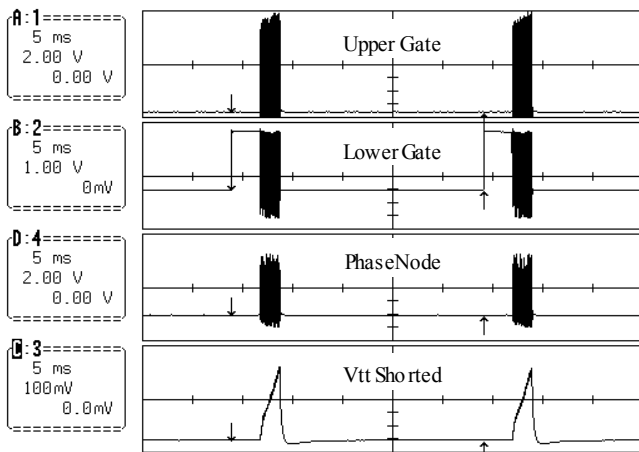
**OVER CURRENT**

SC1109A/B monitor the Upper MOSFETs R<sub>ds(on)</sub> voltage drop due to an over current condition. This method of current sensing minimizes any unnecessary losses due to external sense resistance.

**POWER MANAGEMENT**

**Application Information (Cont.)**

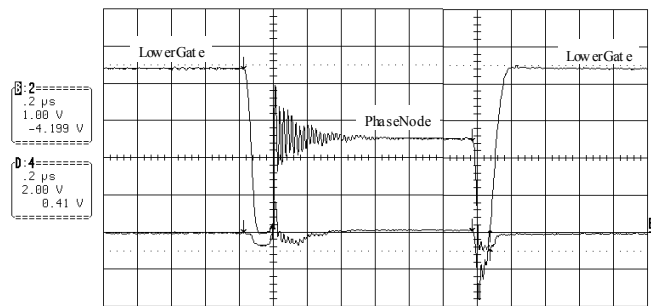
An internal comparator with a 200mV reference monitors the Drop across the upper FET, Once the  $V_{dson}$  of the MOSFET exceeds the 200mV limit, the low side gate is turned on and the upper FET is turned off. Also an internal latch is set and the soft start capacitor is discharged. Once the lower threshold of the soft start circuit is crossed, the same softstart sequence mentioned previously is repeated. This sequence is repeated until the over condition is removed.



The SC1109C utilizes an internal current source and an external resistor connected from the OCSET pin to the Mosfet's supply to program a current limit level. This limit is programmable by choosing the resistor according to the level required. To reduce any noise pick up a 1nF capacitor should be placed across the programing resistor. The device operation is similar to the SC1109A/B during the over current condition as mentioned above.

**GATE DRIVERS**

The Low side gate driver is supplied from VCC and provide a peak source/sink current of and 500mA. The high side gate drive is also capable of sourcing and sinking peak currents of 500mA. The high side MOSFET gate drive can be provided by an external 12V supply that is connected from BST to GND. The actual gate to source voltage of the upper MOSFET will approximately equal 7V (12V-VCC). If the external 12V supply is not available, a classical boot strap technique can be implemented from the VCC supply. A boot strap capacitor is connected from BST to Phase while VCC is connected through a diode (Schottky or other fast low VF diode) to the BST. This will provide a gate to source voltage approximately to VCC-Vdiode drop.



Shoot through control circuitry provides a 100ns dead time to ensure both upper and lower MOSFET will not turn on simultaneously and cause a shoot through condition.

**DUAL LDO CONTROLLERS**

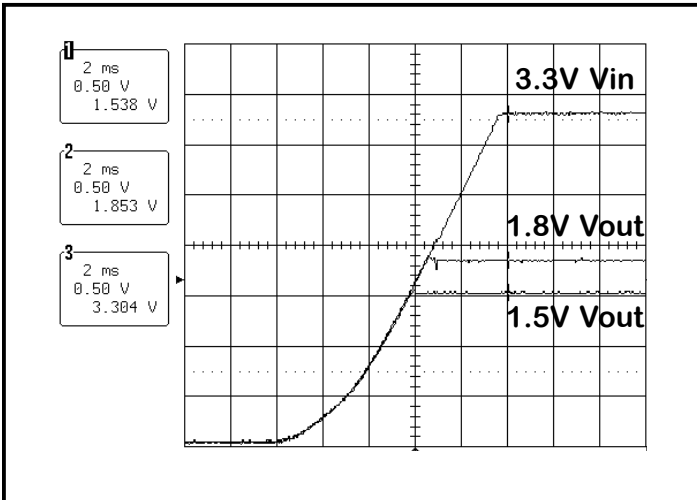
SC1109 also provides two low drop out linear regulator controllers that can be used to generate a 1.8V and a 1.5V output. The LDO output voltage is achieved by controlling the voltage drop across an external MOSFET from a 3.3V supply voltage.

The output voltage is sensed at the LDOS pin of the SC1109 and compared to an internal reference. The gate drive to the external MOSFET is then adjusted until regulation is achieved. In order to have sufficient voltage to the gate drives of the external MOSFET, an internal charge pump is utilized to boost the gate drive voltage to about two times the VSTBY.

**POWER MANAGEMENT**

**Application Information (Cont.)**

The internal charge pump charges an external Bucket capacitor to VSTBY and then connects it in series with VSTBY to the LDOs supply at a frequency of about 200kHz. This ensures sufficient gate drive voltage for the LDOs independent of the VCC or the 12V external supply being available due to start up timing sequence from the silver box.

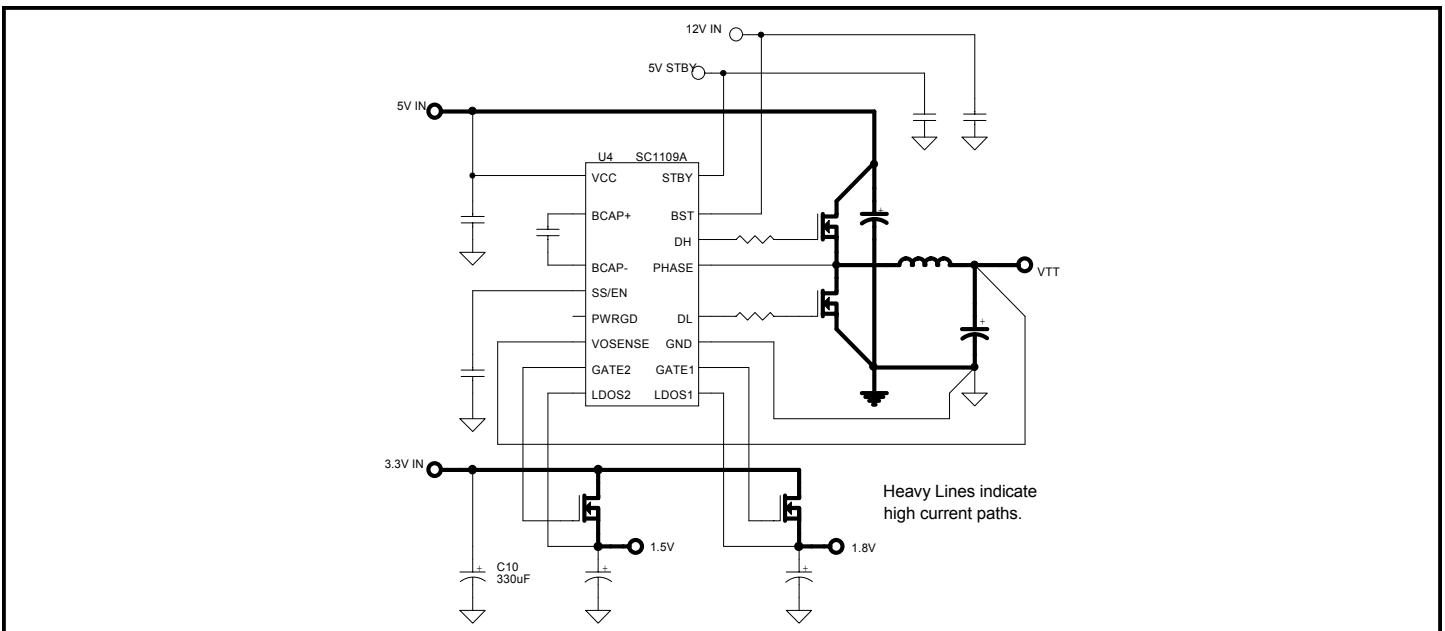


The LDO1, and LDO2 output voltages are forced to track the 3.3V input supply. This feature ensures that during the start up application of the 3.3V, the LDO1, and LDO2 outputs track the 3.3V within 200mV typical until regulation is achieved. However, the VSTBY should be established at least 500us, to allow the charge pump to reach its maximum voltage, before the linear section will track within 200mV. This tracking will sequence the correct start up timing for the external Chipset and Clock circuitry.

**LAYOUT GUIDELINES**

Careful attention to layout requirements are necessary for successful implementation of the SC1109 PWM controller. High currents switching are present in the application and their effect on ground plane voltage differentials must be understood and minimized.

- 1). The high power parts of the circuit should be laid out first. A ground plane should be used, the number and position of ground plane interruptions should be such as to not unnecessarily compromise ground plane integrity. Isolated or semi-isolated areas of the ground plane may be deliberately introduced to constrain ground currents to particular areas, for example the input capacitor and bottom FET ground.
- 2). The loop formed by the Input Capacitor(s) (Cin), the Top FET (Q1) and the Bottom FET (Q2) must be kept as small as possible. This loop contains all the high current, fast transition switching. Connections should be as wide and as short as possible to minimize loop inductance. Minimizing this loop area will a) reduce EMI, b) lower ground injection currents, resulting in electrically "cleaner" grounds for the rest of the system and c) minimize source ringing, resulting in more reliable gate switching signals.
- 3). The connection between the junction of Q1, Q2 and the output inductor should be a wide trace or copper region. It should be as short as practical. Since this connection has fast voltage transitions, keeping this connection short will minimize EMI. Also keep the Phase connection to the IC short, top FET gate charge currents flow in this trace.





**POWER MANAGEMENT**
**Application Information (Cont.)**

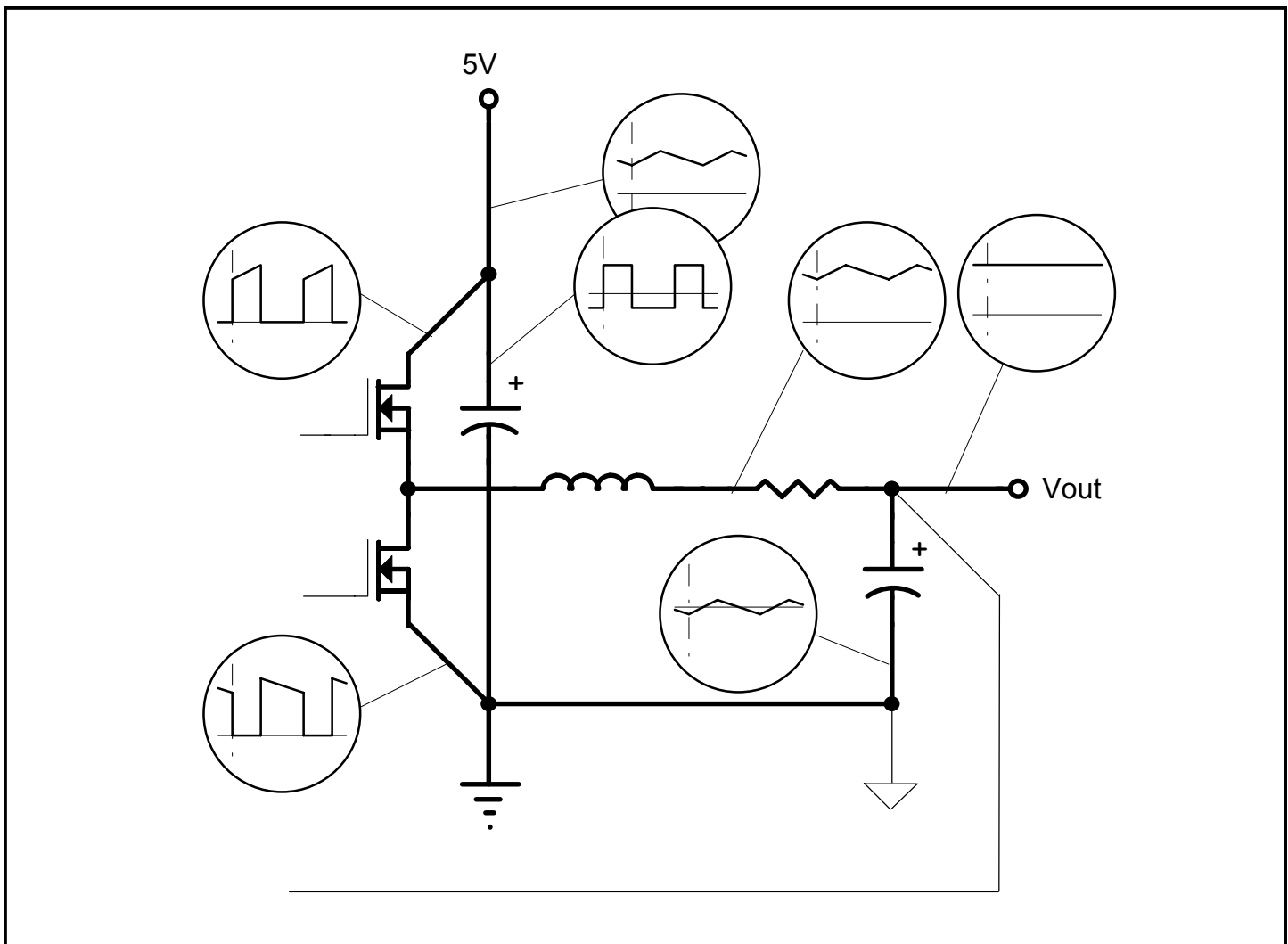
4) The Output Capacitor(s) ( $C_{out}$ ) should be located as close to the load as possible, fast transient load currents are supplied by  $C_{out}$  only, and connections between  $C_{out}$  and the load must be short, wide copper areas to minimize inductance and resistance.

5) The SC1109 is best placed over a quiet ground plane area, avoid pulse currents in the  $C_{in}$ , Q1, Q2 loop flowing in this area. GND should be returned to the ground plane close to the package and close to the ground side of (one of) the output capacitor(s). If this is not possible, the GND pin may be connected to the ground path between the Output Capacitor(s) and the  $C_{in}$ , Q1, Q2 loop. Under no circumstances should GND be returned to a ground inside the  $C_{in}$ , Q1, Q2 loop.

6) BST for the SC1109 should be supplied from the 12V supply, the BST pin should be decoupled directly to GND by a 0.1mF ceramic capacitor, trace lengths should be as short as possible. If a 12V supply is not available, a classical boot strap method could be implemented to achieve the upper MOSFETs gate drive.

7) The Phase connection should be short .

8) Ideally, the grounds for the two LDO sections should be returned to the ground side of (one of) the output capacitor(s).



**POWER MANAGEMENT**
**Application Information (Cont.)**
**COMPONENT SELECTION**
**SWITCHING SECTION**

**OUTPUT CAPACITORS** - Selection begins with the most critical component. Because of fast transient load current requirements in modern microprocessor core supplies, the output capacitors must supply all transient load current requirements until the current in the output inductor ramps up to the new level. Output capacitor ESR is therefore one of the most important criteria. The maximum ESR can be simply calculated from:

$$R_{ESR} \leq \frac{V_t}{I_t}$$

**Where**

$V_t$  = **Maximum transient voltage excursion**

$I_t$  = **Transient current step**

For example, to meet a 100mV transient limit with a 10A load step, the output capacitor ESR must be less than 10mΩ. To meet this kind of ESR level, there are three available capacitor technologies.

Technology	Each Capacitor		Qty Rqd.	Total	
	C (uF)	ESR (mΩ)		C (uF)	ESR (mΩ)
Low ESR Tantalum	330	60	6	2000	10
OS-CON	330	25	3	990	8.3
Low ESR Aluminum	1500	44	5	7500	8.8

The choice of which to use is simply a cost/performance issue, with Low ESR Aluminum being the cheapest, but taking up the most space.

**INDUCTOR** - Having decided on a suitable type and value of output capacitor, the maximum allowable value of inductor can be calculated. Too large an inductor will produce a slow current ramp rate and will cause the output capacitor to supply more of the transient load current for longer - leading to an output voltage sag below the ESR excursion calculated above.

The maximum inductor value may be calculated from:

$$L \leq \frac{R_{ESR} \cdot C}{I_t} (V_{IN} - V_O)$$

The calculated maximum inductor value assumes 100% duty cycle, so some allowance must be made. Choosing an inductor value of 50 to 75% of the calculated maximum will guarantee that the inductor current will ramp fast enough to reduce the voltage dropped across the ESR at a faster rate than the capacitor sags, hence ensuring a good recovery from transient with no additional excursions. We must also be concerned with ripple current in the output inductor and a general rule of thumb has been to allow 10% of maximum output current as ripple current. Note that most of the output voltage ripple is produced by the inductor ripple current flowing in the output capacitor ESR. Ripple current can be calculated from:

$$I_{L \text{ RIPPLE}} = \frac{V_{IN}}{4 \cdot L \cdot f_{OSC}}$$

Ripple current allowance will define the minimum permitted inductor value.

**POWER FETS** - The FETs are chosen based on several criteria with probably the most important being power dissipation and power handling capability.

**TOP FET** - The power dissipation in the top FET is a combination of conduction losses, switching losses and bottom FET body diode recovery losses.

a) Conduction losses are simply calculated as:

$$P_{COND} = I_O^2 \cdot R_{DS(on)} \cdot \delta$$

**where**

$$\delta = \text{duty cycle} \approx \frac{V_O}{V_{IN}}$$

b) Switching losses can be estimated by assuming a switching time, if we assume 100ns then:

$$P_{SW} = I_O \cdot V_{IN} \cdot 10^{-3}$$

**POWER MANAGEMENT**
**Application Information (Cont.)**

or more generally,

$$P_{SW} = \frac{I_O \cdot V_{IN} \cdot (t_r + t_f) \cdot f_{OSC}}{4}$$

c) Body diode recovery losses are more difficult to estimate, but to a first approximation, it is reasonable to assume that the stored charge on the bottom FET body diode will be moved through the top FET as it starts to turn on. The resulting power dissipation in the top FET will be:

$$P_{RR} = Q_{RR} \cdot V_{IN} \cdot f_{OSC}$$

To a first order approximation, it is convenient to only consider conduction losses to determine FET suitability. For a 5V in; 2.8V out at 14.2A requirement, typical FET losses would be:

Using 1.5X Room temp  $R_{DS(on)}$  to allow for temperature rise.

FET Type	$R_{DS(on)}$ (mΩ)	PD(W)	Package
IRL3402S	15	1.69	D <sup>2</sup> PAK
IRL2203	10.5	1.19	D <sup>2</sup> PAK
Si4410	20	2.26	SO-8

**BOTTOM FET** - Bottom FET losses are almost entirely due to conduction. The body diode is forced into conduction at the beginning and end of the bottom switch conduction period, so when the FET turns on and off, there is very little voltage across it, resulting in low switching losses. Conduction losses for the FET can be determined by:

$$P_{COND} = I_O^2 \cdot R_{DS(on)} \cdot (1 - \delta)$$

For the example above:

FET Type	$R_{DS(on)}$ (mΩ)	$P_D$ (W)	Package
IRL3402S	15	1.33	D <sup>2</sup> PAK
IRL2203	10.5	0.93	D <sup>2</sup> PAK
Si4410	20	1.77	SO-8

Each of the package types has a characteristic thermal impedance, for the TO-220 package, thermal impedance is mostly determined by the heatsink used. For the surface mount packages on double sided FR4, 2 oz printed circuit board material, thermal impedances of 40°C/W for the D<sup>2</sup>PAK and 80°C/W for the SO-8 are readily achievable. The corresponding temperature rise is detailed below:

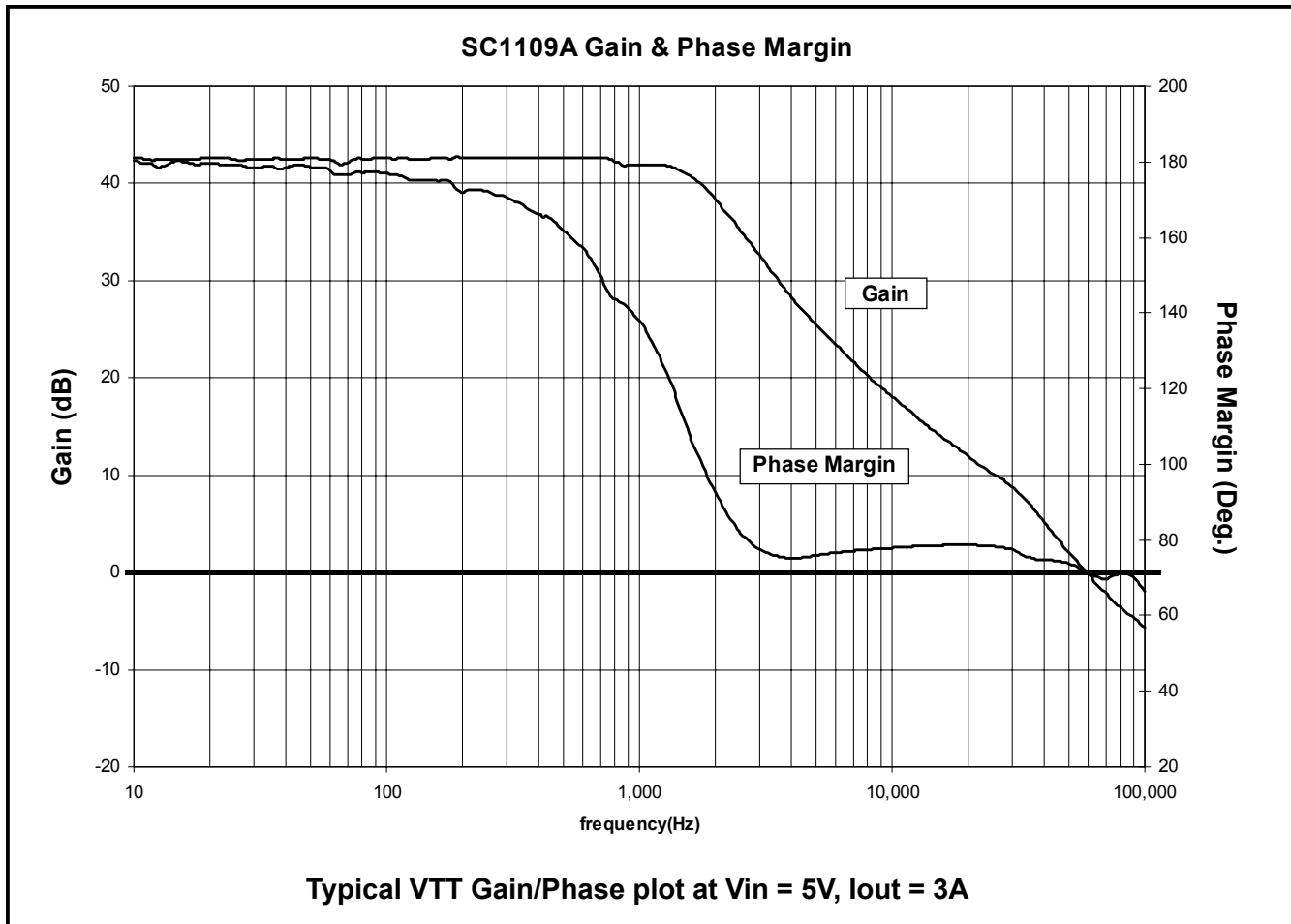
FET Type	Temperature rise ( °C)	
	Top FET	Bottom FET
IRL3402S	67.6	53.2
IRL2203	47.6	37.2
Si4410	180.8	141.6

It is apparent that single SO-8 Si4410 are not adequate for this application, but by using parallel pairs in each position, power dissipation will be approximately halved and temperature rise reduced by a factor of 4.

**INPUT CAPACITORS** - since the RMS ripple current in the input capacitors may be as high as 50% of the output current, suitable capacitors must be chosen accordingly. Also, during fast load transients, there may be restrictions on input di/dt. These restrictions require useable energy storage within the converter circuitry, either as extra output capacitance or, more usually, additional input capacitors. Choosing low ESR input capacitors will help maximize ripple rating for a given size.

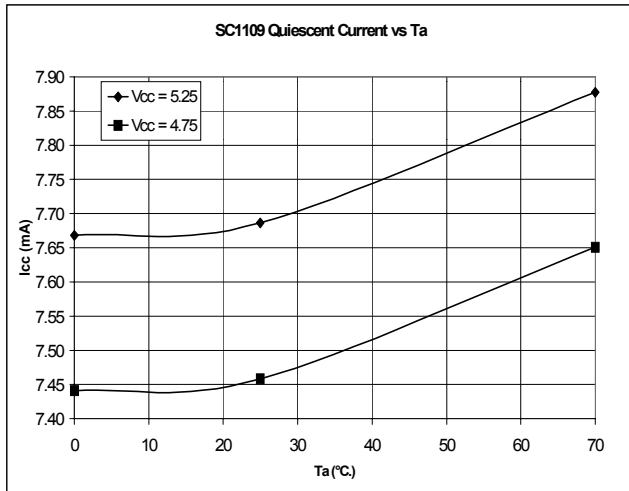
## POWER MANAGEMENT

## SC1109 Gain &amp; Phase Margin

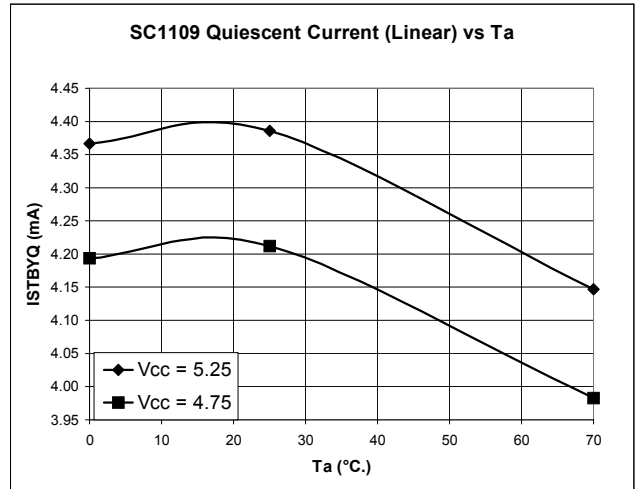


POWER MANAGEMENT

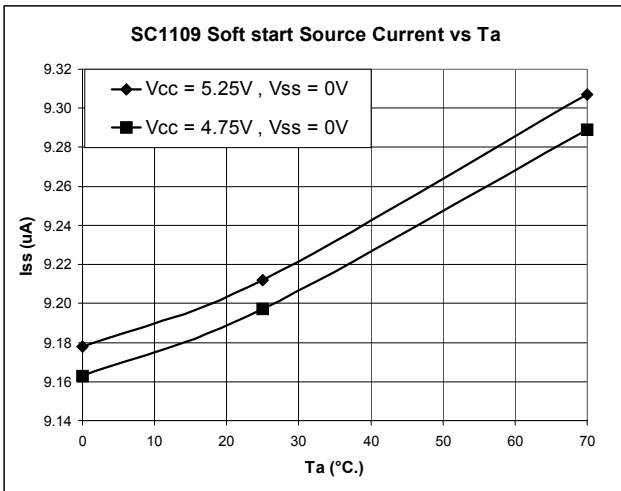
Typical Characteristics



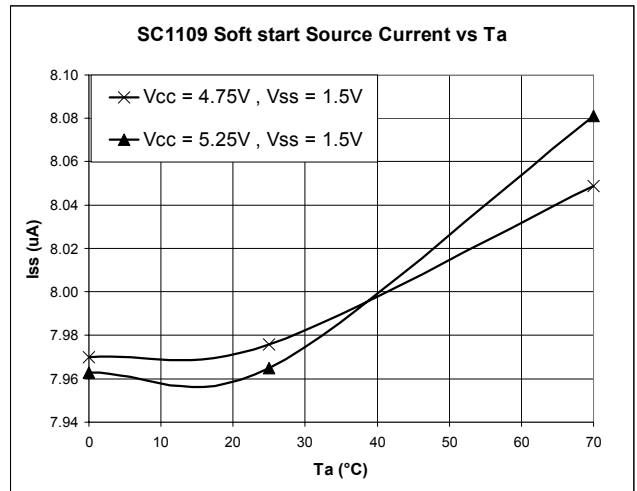
Typical I<sub>cc</sub> (Switching section)



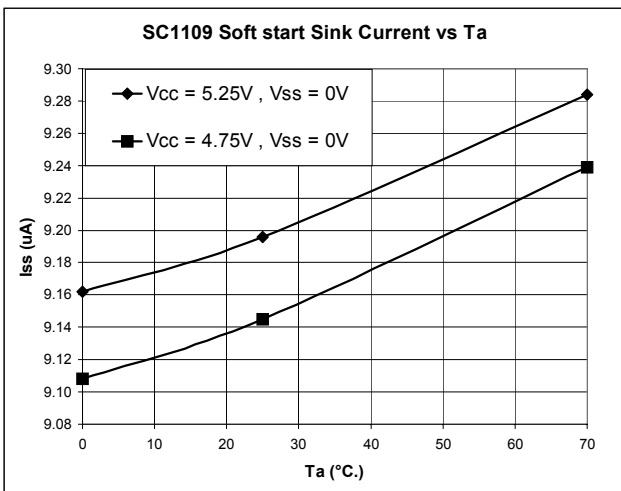
Typical I<sub>STBYQ</sub> (Linear section)



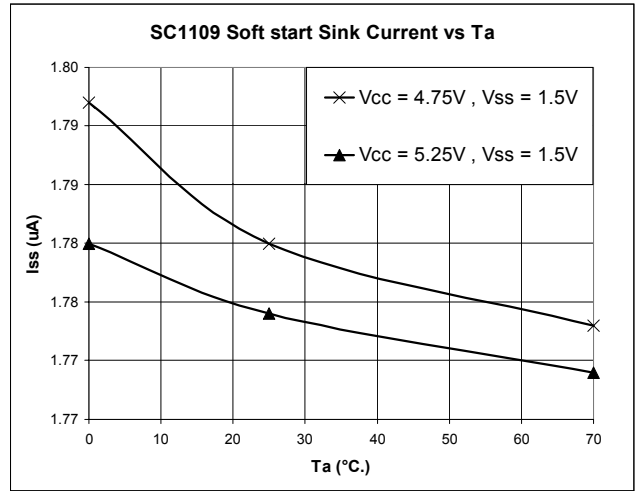
Typical Soft start source Current V<sub>ss</sub> = 0V



Typical Soft start source Current V<sub>ss</sub> = 1.5V

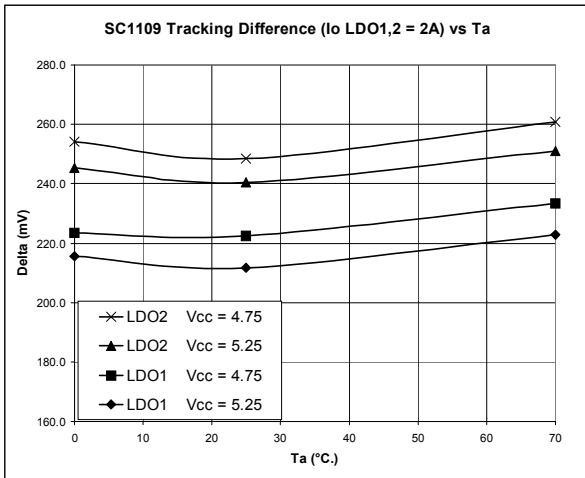


Typical Soft start sink Current V<sub>ss</sub> = 0V



Typical Soft start sink Current V<sub>ss</sub> = 1.5V

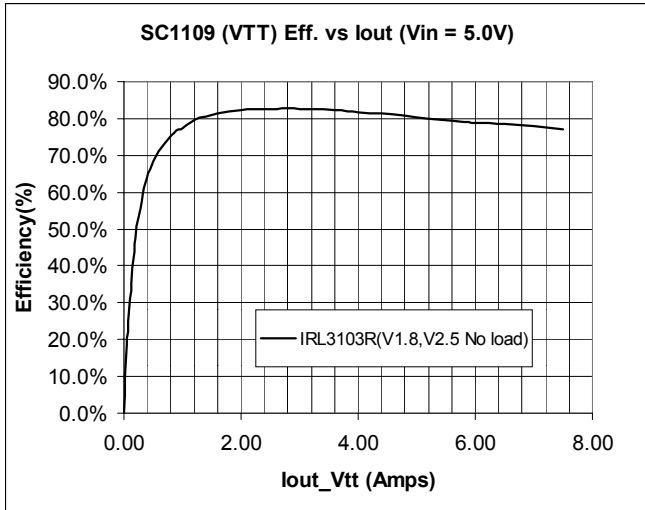
**POWER MANAGEMENT**  
**Typical Characteristics**



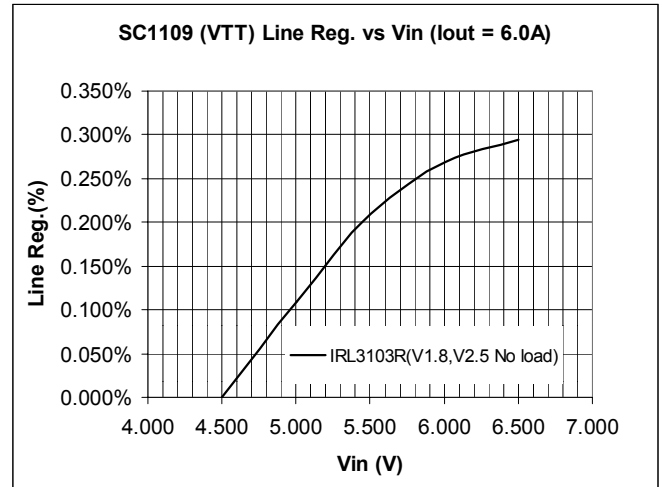
Typical Tracking difference (Between Vin3.3 & LDO)

POWER MANAGEMENT

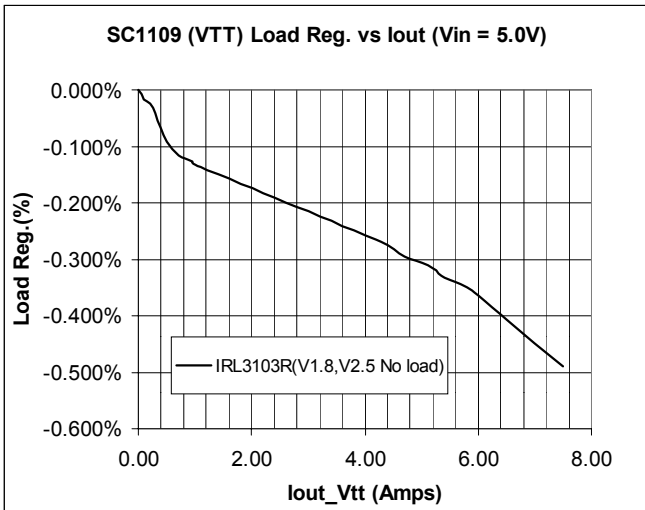
Typical Characteristics



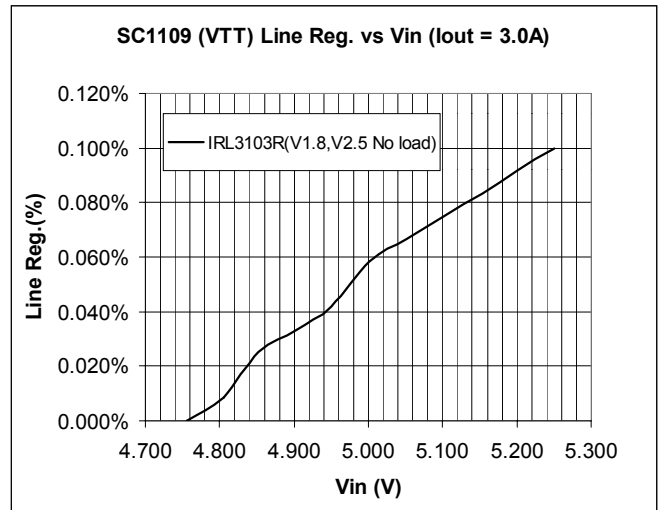
Typical VTT Efficiency at Vin=5V



Typical VTT Line Regulation at Iout = 6 Amps



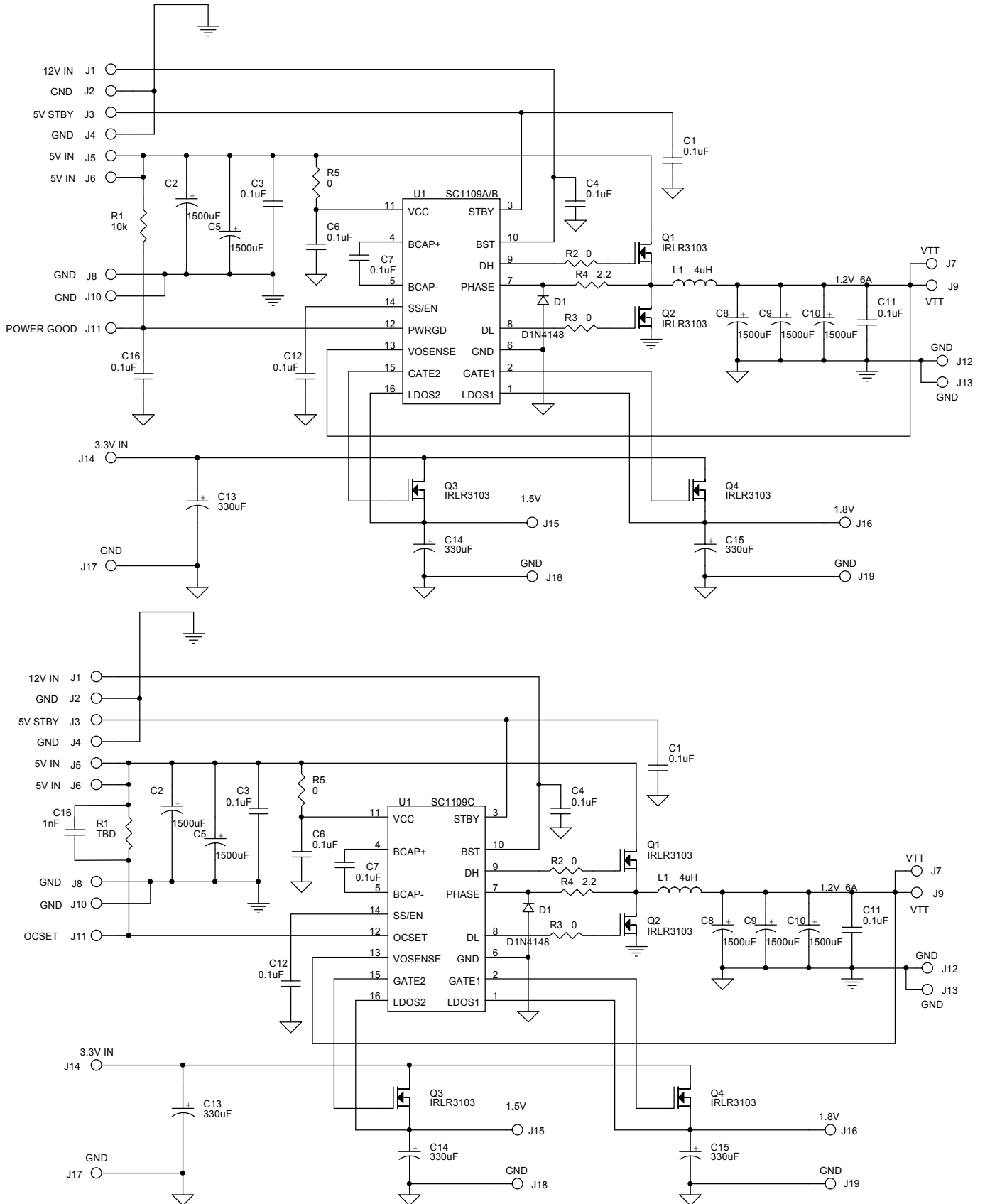
Typical VTT Load Regulation at Vin=5V



Typical VTT Line Regulation at Iout = 3 Amps

## POWER MANAGEMENT

### Evaluation Board Schematic



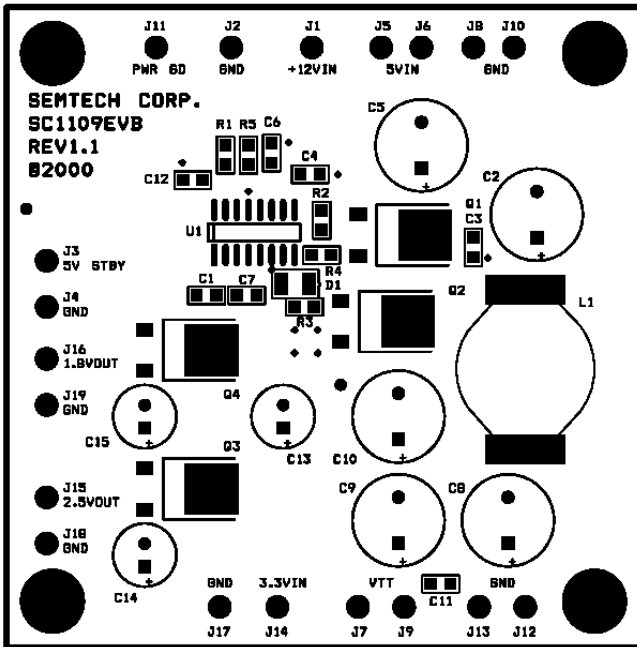


**POWER MANAGEMENT**
**Evaluation Board Bill of Materials**

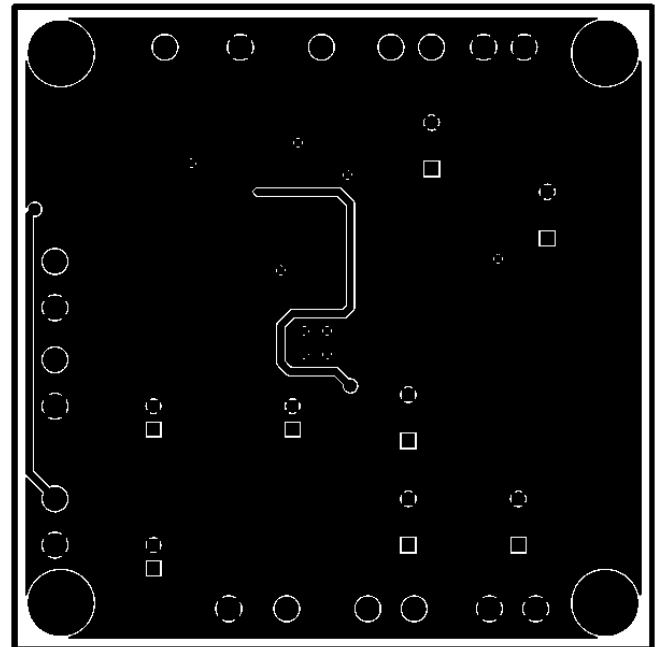
Item	Qty.	Reference	Part
1	8	C1,C3,C4,C6,C7,C11,C12,C13	0.1 $\mu$ F
2	5	C2,C5,C8,C9,C10	1500 $\mu$ F
3	3	C13,C14,C15	330 $\mu$ F
4	1	C16	0.1 $\mu$ F(SC1109A/B), 1nF(SC1109C)
5	1	D1	D1N4148
6	1	J1	12V IN
7	9	J2,J4,J8,J10,J12,J13,J17,J18,J19	GND
8	1	J3	5V STBY
9	2	J5,J6	5V IN
10	2	J7,J9	VTT
11	1	J11	POWER GOOD / OCSET
12	1	J14	3.3V IN
13	1	J15	2.5V
14	1	J16	1.8V
15	1	L1	4 $\mu$ H
16	4	Q1,Q2,Q3,Q4	IRLR3103
17	1	R1	10k (SC1109A/B), TBD(SC1109C)
18	3	R2,R3,R5	0
19	1	R4	2.2
20	1	U1	SC1109A/B/C

**POWER MANAGEMENT**

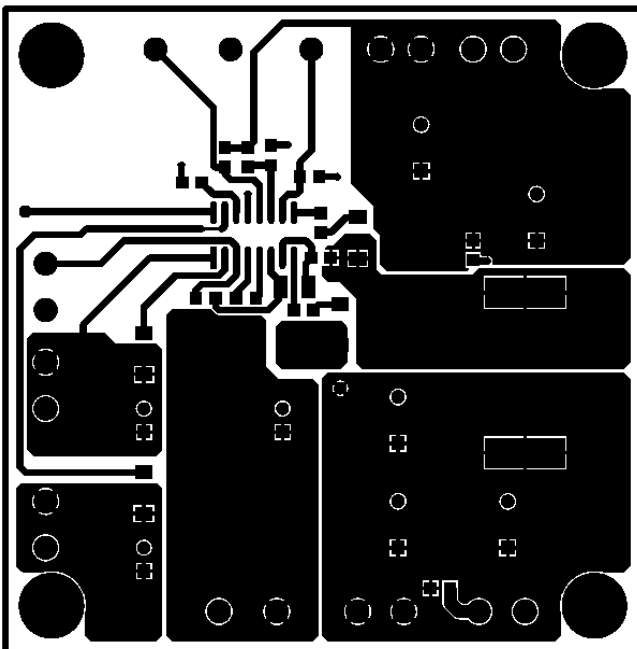
**Evaluation Board Gerber Plots**



**Board Layout Assembly Top**



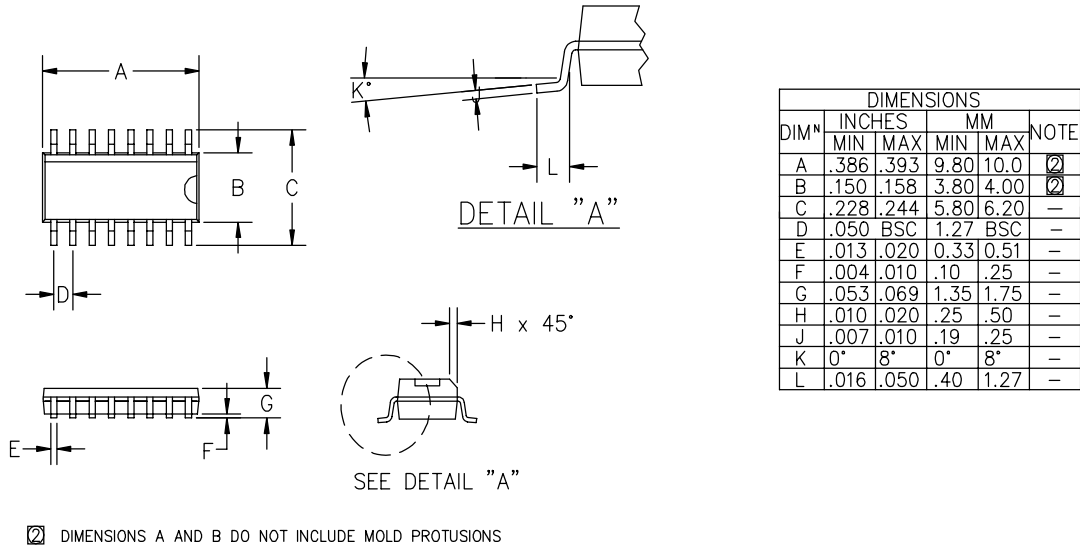
**Board Layout Bottom**



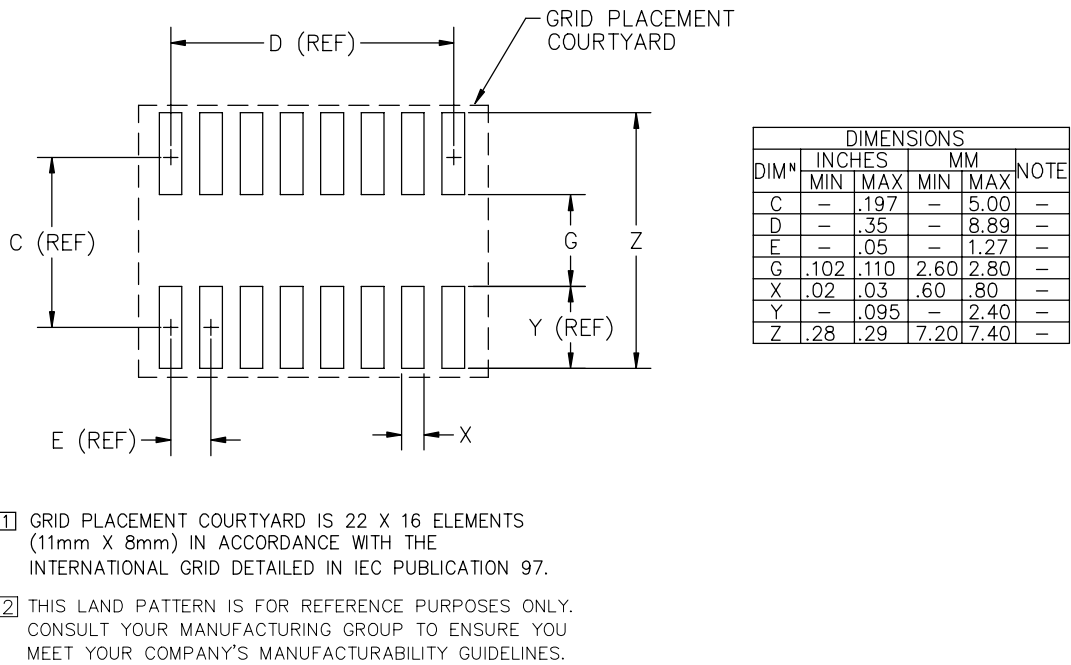
**Board Layout Top**

**POWER MANAGEMENT**

**Outline Drawing - SO-16**



**Land Pattern - SO-16**



**Contact Information**

Semtech Corporation  
 Power Management Products Division  
 200 Flynn Road, Camarillo, CA 93012  
 Phone: (805)498-2111 FAX (805)498-3804