

POWER MANAGEMENT

Description

The SC1151 voltage mode controller contains most of the circuitry necessary to implement a DC/DC converter for powering advanced microprocessors such as Klamath, both in single and multiple processor configurations.

The SC1151 features an integrated 5 bit D/A converter, pulse by pulse current limiting, integrated power good signaling, logic compatible shutdown and on-board over voltage protection (OVP).

The SC1151 operates at a fixed frequency of 200kHz, providing an optimum compromise between size, efficiency and cost in the intended application areas.

The integrated D/A converter provides programmability of output voltage from 2.0V to 3.5V in 100mV increments and 1.80V to 2.05V in 50mV increments with no external components.

The SC1151 provides an OVP output which can be used to trigger a crowbar circuit for true over voltage protection.

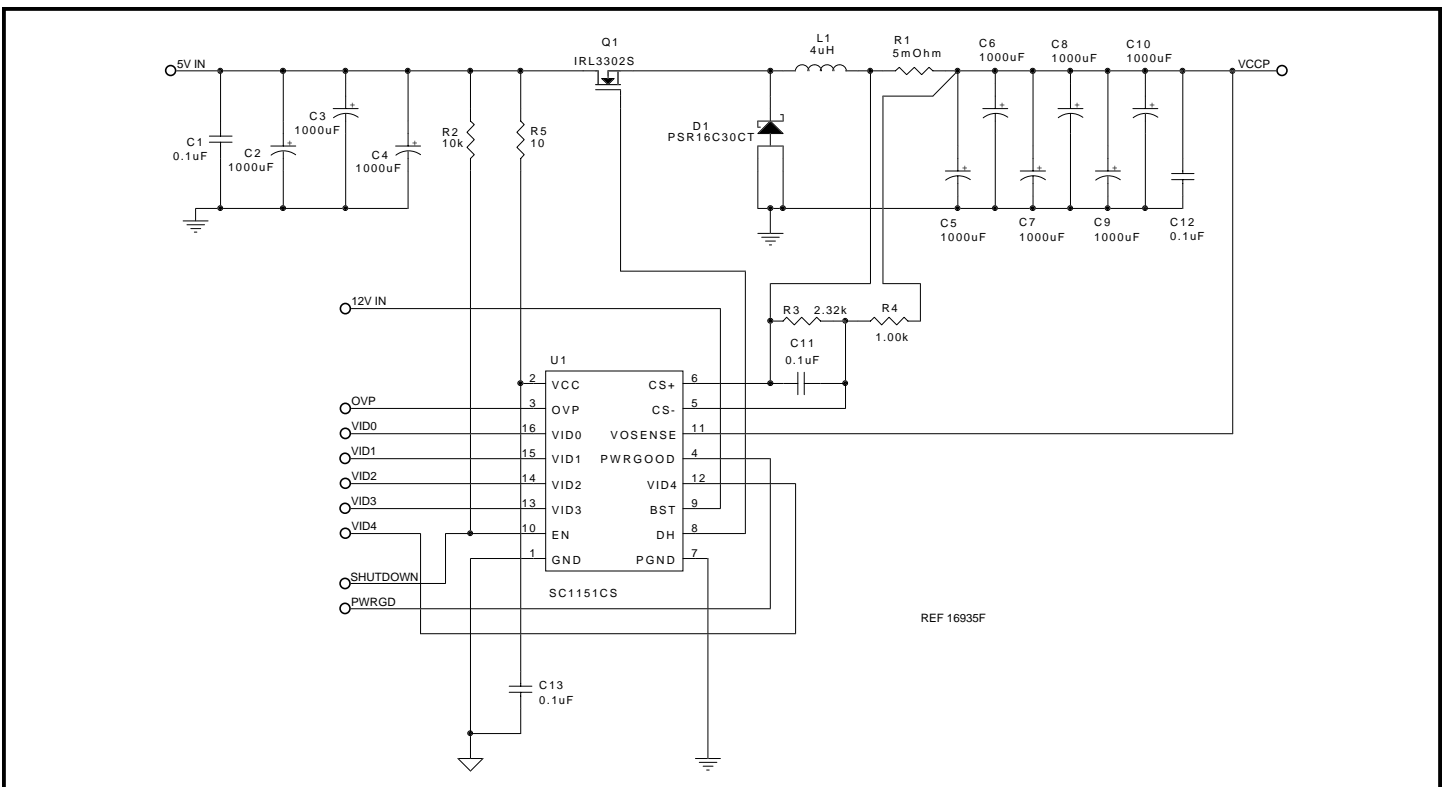
Features

- ◆ 85% efficiency
- ◆ 5 bit DAC for output programmability
- ◆ On chip power good and OVP functions
- ◆ Designed for Intel Klamath VRM8.1 requirements

Applications

- ◆ Klamath microprocessor supplies
- ◆ Klamath VRM modules
- ◆ 1.8V to 3.5V microprocessor supplies
- ◆ Programmable power supplies

Typical Application Circuit



POWER MANAGEMENT
Absolute Maximum Ratings

Parameter	Symbol	Maximum	Units
VCC to GND	V_{IN}	-0.3 to 7	V
PGND TO GND		+1	V
BST TO GND		-0.3 TO 15	V
Operating Temperature Range	T_A	0 to 70	°C
Storage Temperature Range	T_{STG}	-65 to +150	°C
Lead Temperature (Soldering) 10 Sec.	T_{LEAD}	300	°C

Electrical Characteristics

Unless specified: $V_{CC} = 4.75V$ to $5.25V$; $GND = PGND = 0V$; $V_{OSENSE} = V_O$; $0mV < (CS+ - CS-) < 60mV$; $T_A = 25°C$

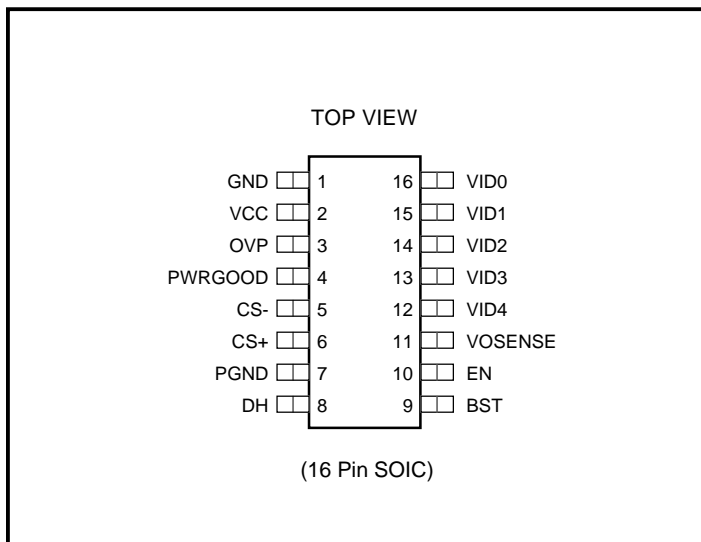
Parameter	Conditions	Vid	Min	Typ	Max	Units
		43210				
Output Voltage ⁽²⁾	$I_O = 2A$ in Application circuit 16935F	00101	1.782	1.800	1.818	V
		00100	1.832	1.850	1.868	
		00011	1.881	1.900	1.919	
		00010	1.931	1.950	1.969	
		00001	1.980	2.000	2.020	
		00000	2.030	2.050	2.070	
		11111	1.980	2.000	2.020	
		11110	2.079	2.100	2.121	
		11101	2.178	1.980	2.222	
		11100	2.277	2.300	2.323	
		11011	2.376	2.400	2.424	
		11010	2.475	2.500	2.525	
		11001	2.574	2.600	2.626	
		11000	2.673	2.700	2.727	
		10111	2.772	2.800	2.828	
		10110	2.871	2.900	2.929	
		10101	2.970	3.000	3.030	
10100	3.069	3.100	3.131			
10011	3.168	3.200	3.232			
10010	3.267	3.300	3.333			
10001	3.366	3.400	3.434			
10000	3.465	3.500	3.535			

POWER MANAGEMENT
Electrical Characteristics (Cont.)

Parameter	Conditions	Vid	Min	Typ	Max	Units
		43210				
Load Regulation	$I_o = 0.3A$ to 13Z (1)	xxxx		1		%
Line Regulation		xxxx		0.5		%
UV Lockout		xxxx			4.2	V
Current Limit Voltage		xxxx	60	70	80	mV
Oscillator Frequency		xxxx	180	200	220	KhZ
Oscillator Max Duty Cycle		xxxx	90	95		%
DH Sink/Source Current	BST - DH = 4.5V, DH - OGND = 2V	xxxx	1			A
Output Voltage Tempco		xxxx		65		ppm/°C

NOTES:

- (1) Low output currents, below the continuous conduction threshold will cause an increase in output voltage beyond the load regulation limit. For Application circuit 16935F see the regulation curve on sheet 5.
- (2) All VID codes not specifically listed here are invalid and cause shutdown exactly as if the shutdown pin had been asserted. xxxxx refers to any valid VID code.
- (3) This device is ESD sensitive. Use of standard ESD handling precautions is required.

POWER MANAGEMENT
Pin Configuration

Ordering Information

Device ⁽¹⁾	Package	Temp Range (T _J)
SC1151CS.TR	SO-16	0° to 125°C

Note:

(1) Only available in tape and reel packaging. A reel contains 2500 devices.

Pin Descriptions

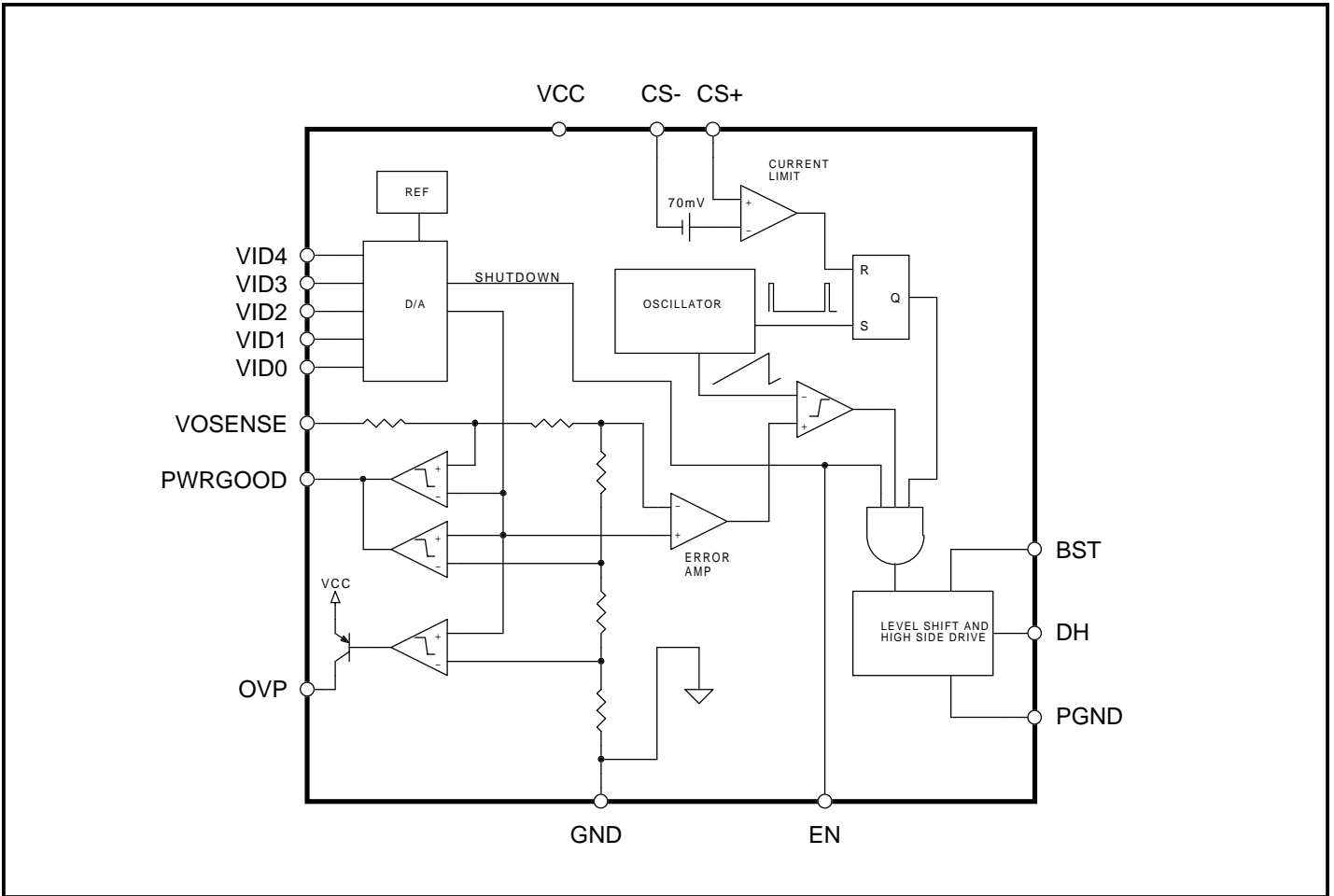
Pin #	Pin Name	Pin Function
1	GND	Small Signal Analog and Digital Ground
2	VCC	Chip Supply Voltage
3	OVP ⁽¹⁾	High Signal out if V _O > setpoint + 20%
4	PWRGOOD ⁽¹⁾	Open collector loic output, high if V _O within 10% of setpoint
5	CS-	Current Sense Input (negative)
6	CS+	Current Sense Input (positive)
7	PGND	Power Ground
8	DH	High Side Driver Output
9	BST	Vcc for High Side Driver
10	EN ⁽¹⁾	Enable Pin, logic low shuts down the converter
11	VOSENSE	Top end of internal feedback chain
12	VID4 ⁽¹⁾	Programming Input (MSB)
13	VID3 ⁽¹⁾	Programming Input
14	VID2 ⁽¹⁾	Programming Input
15	VID1 ⁽¹⁾	Programming Input
16	VID0 ⁽¹⁾	Programming Input (LSB)

NOTE:

(1) All logic level inputs and outputs are open collector TTL compatible

POWER MANAGEMENT

Block Diagram



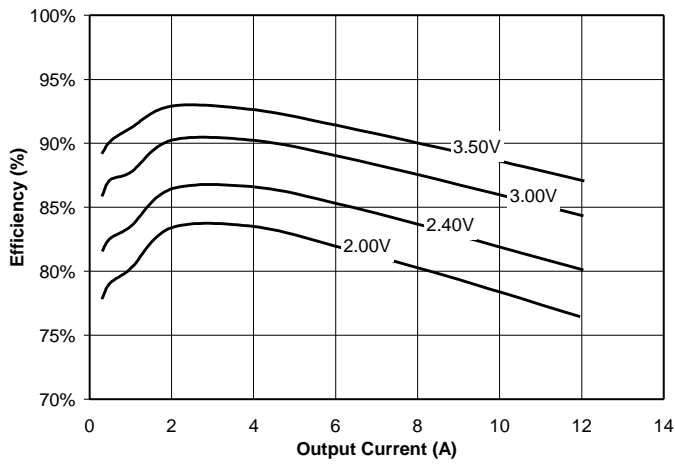
Evaluation Board Bill of Materials

Quantity	Reference	Part/Description	Vendor	Notes
4	C1, C11-C13	0.1µF Ceramic	Various	
9	C2-C10	1000µF/6.3V	SANYO	MV-GX or equiv. Low ESR
1	D1	PSR16C30CT	PHOTRON	
1	L1	4µH		8 Turns 16AWG on MICROMETALS T50-52D core
1	Q1	IRL3302S	I.R.	Logic Level FET, ≤22mΩ, 30V
1	R1	5mΩ	IRC	OAR-1 Series
1	R2	10kΩ, 5%, 1/8W	Various	
1	R3	2.32k Ω, 1%, 1/8W	Various	
1	R4	1kΩ, 1%, 1/8W	Various	
1	R5	10Ω, 5%, 1/8W	Various	
1	U1	SC1151CS	SEMTECH	

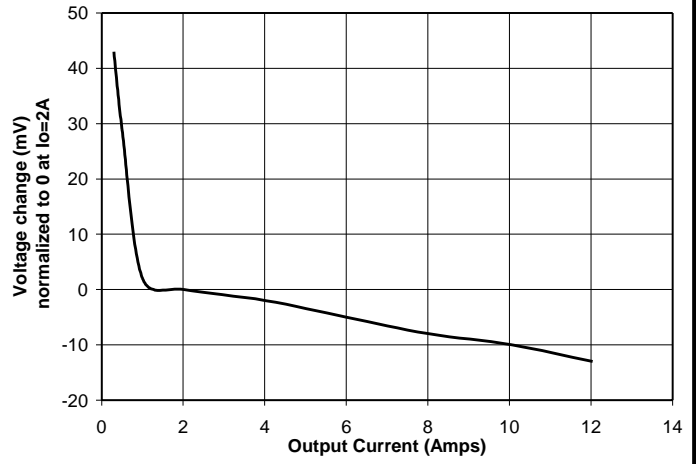
POWER MANAGEMENT

Typical Characteristics

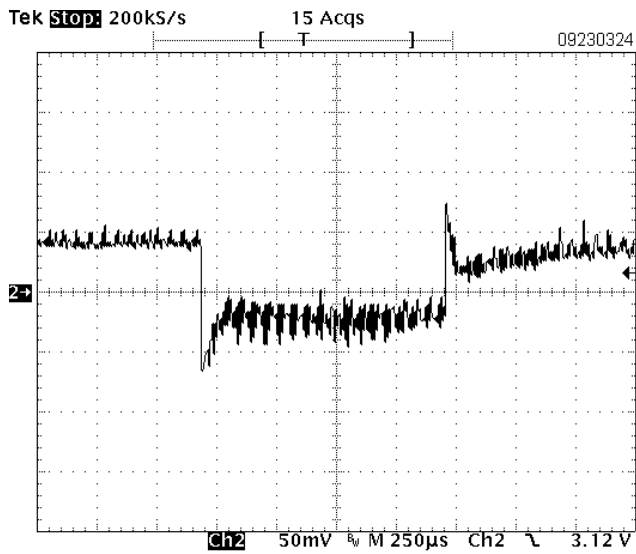
SC1151 Efficiency in Application circuit 16935F



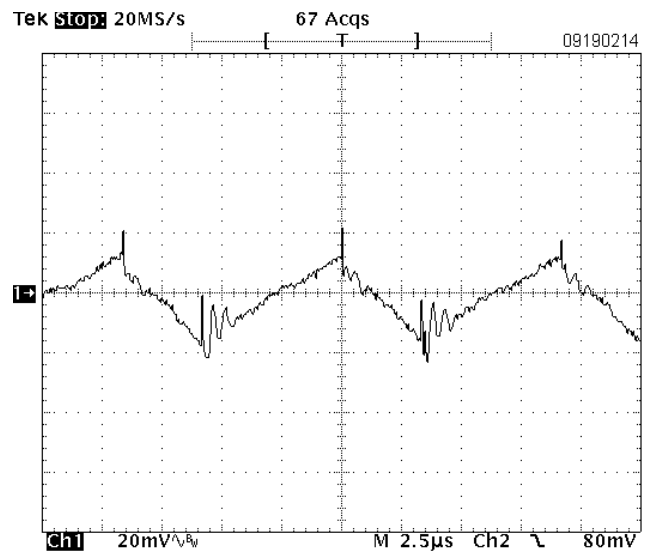
SC1151 Regulation in Application circuit 16935F



App. circuit 16935F Transient Response, 3.1V, 0.3A to 10A

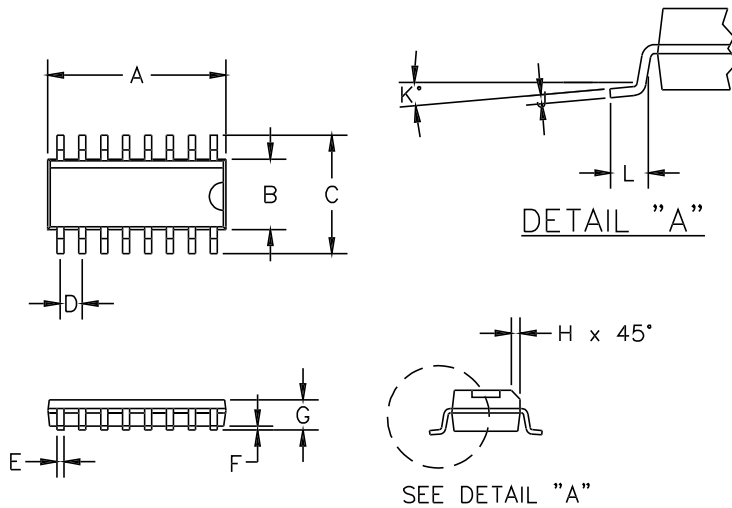


Application circuit 16935F Ripple, 3.1V, 10A out



POWER MANAGEMENT

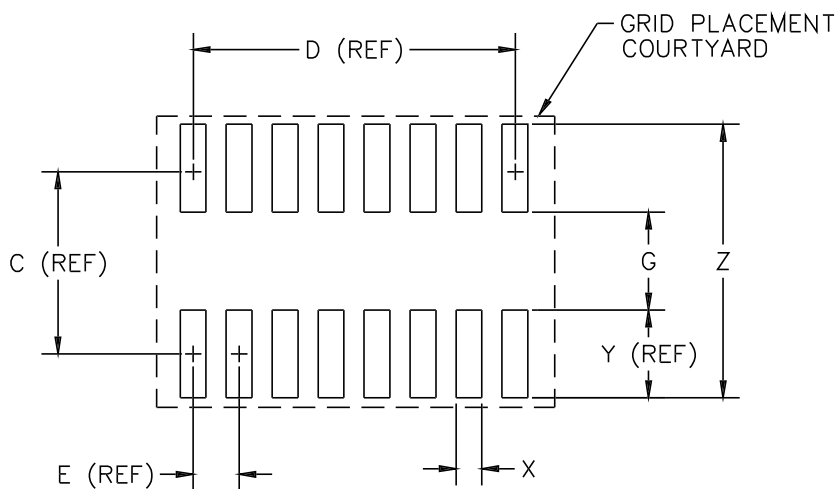
Outline Drawing - SO-16



DIM ^N	INCHES		MM		NOTE
	MIN	MAX	MIN	MAX	
A	.386	.393	9.80	10.0	②
B	.150	.158	3.80	4.00	②
C	.228	.244	5.80	6.20	—
D	.050	BSC	1.27	BSC	—
E	.013	.020	0.33	0.51	—
F	.004	.010	.10	.25	—
G	.053	.069	1.35	1.75	—
H	.010	.020	.25	.50	—
J	.007	.010	.19	.25	—
K	0°	8°	0°	8°	—
L	.016	.050	.40	1.27	—

② DIMENSIONS A AND B DO NOT INCLUDE MOLD PROTUSIONS

Land Pattern - SO-16



DIM ^N	INCHES		MM		NOTE
	MIN	MAX	MIN	MAX	
C	—	.197	—	5.00	—
D	—	.35	—	8.89	—
E	—	.05	—	1.27	—
G	.102	.110	2.60	2.80	—
X	.02	.03	.60	.80	—
Y	—	.095	—	2.40	—
Z	.28	.29	7.20	7.40	—

① GRID PLACEMENT COURTYARD IS 22 X 16 ELEMENTS (11mm X 8mm) IN ACCORDANCE WITH THE INTERNATIONAL GRID DETAILED IN IEC PUBLICATION 97.

Contact Information

Semtech Corporation
 Power Management Products Division
 652 Mitchell Rd., Newbury Park, CA 91320
 Phone: (805)498-2111 FAX (805)498-3804