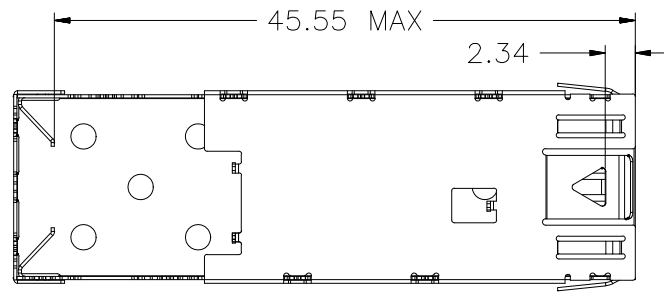
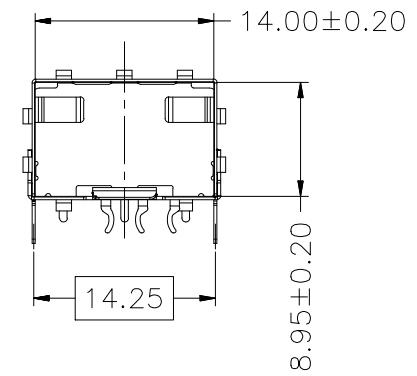
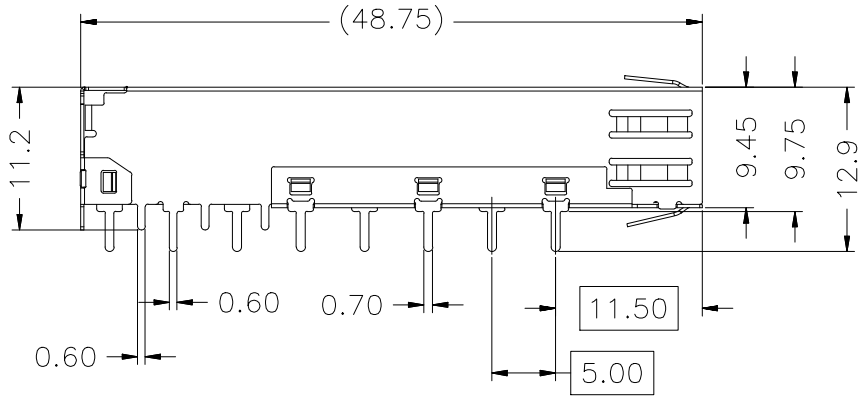
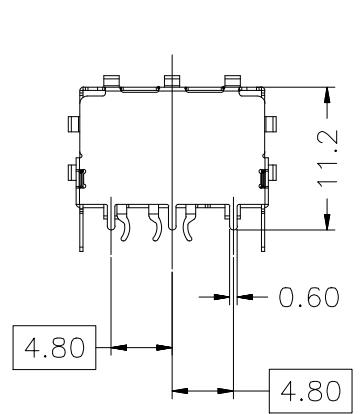
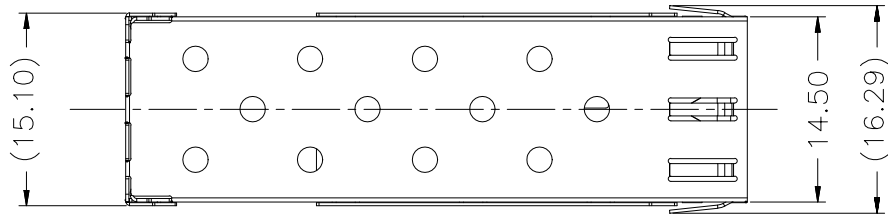


REV.	ECN. NO.	NAME	DATE



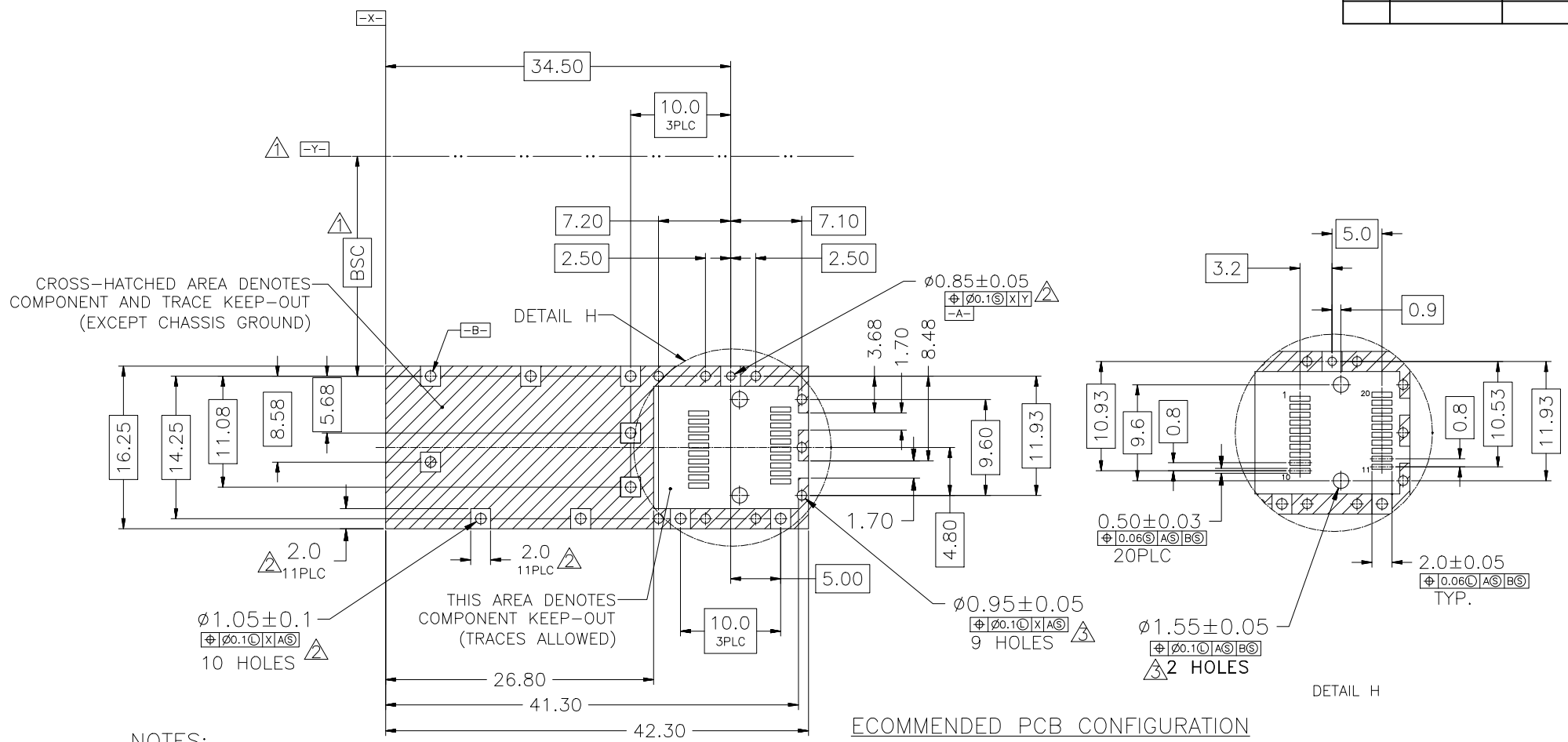
NOTES:

- 1.MATERIAL: NICKEL SILVER, THICKNESS 0.25mm
- 2.PACKAGING: TRAY PACKAGING
- 3.TEMPERATURE RANGE: -55°C TO +85°C

RoHS Compliant

TOLERANCE UNSPECIFIED		VITALCON a vital connector company		FOR YOUR VITAL CONNECTION		
.0	± 0.38					
.00	± 0.25	TITLE: SFP1*1 CAGE PRESS-FIT TYPE				
.000	± 0.10					
ANGLE	± 3.00°					
MANUFACTURING COPY		DRAWN BY:	BECKER	PART NO:	SC11A	REV: A
CHECKED BY:	VTA	SIZE:	A4	UNIT: mm	SHEET: 30F3	FCN: A4
APPROVED BY:	QPF	PROJECTION			http://www.vitalconn.com	

REV.	ECN. NO.	NAME	DATE



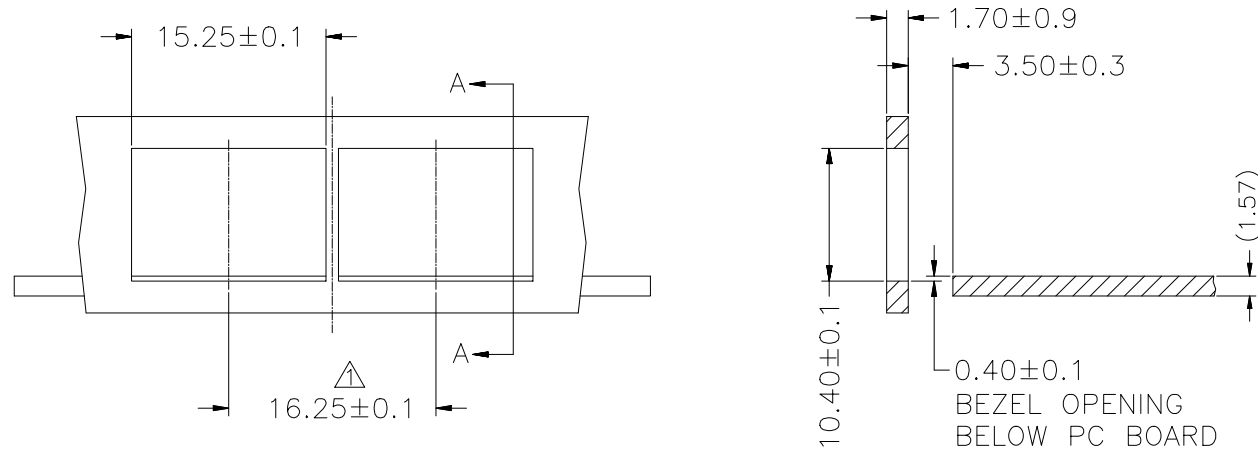
NOTES:

- 1. DATUM AND BASIC DIMENSIONS ESTABLISHED BY CUSTOMER
- 2. PADS AND VIAS ARE CHASSIS GROUND, 11 PLACES
- 3. THRU HOLES, PLATING OPTIONAL

RoHS Compliant

TOLERANCE UNSPECIFIED		 VITALCON a vital connector company		FOR YOUR VITAL CONNECTION	
.0	± 0.38				
.00	± 0.25	TITLE: SFP1*1 CAGE PRESS-FIT TYPE			
.000	± 0.10				
ANGLE	± 3.00°				
MANUFACTURING COPY					
DRAWN BY:	BECKER	PART NO:	SC11A	REV: A	
CHECKED BY:	VTA	SIZE: A4	UNIT: mm	SHEET: 20F3	FCN: A4
APPROVED BY:	QPF	PROJECTION		http://www.vitalconn.com	

REV.	ECN. NO.	NAME	DATE



SECTION A-A

RECOMMENDED BEZEL DESIGN

NOTES:
 ⚠ MINIMUM PITCH ILLUSTRATED, ENGLISH DIMENSIONS ARE FOR REFERENCE ONLY

RoHS Compliant

TOLERANCE UNSPECIFIED				FOR YOUR VITAL CONNECTION			
.0	± 0.38			TITLE: SFP1*1 CAGE PRESS-FIT TYPE			
.00	± 0.25	DRAWN BY:	BECKER	PART NO:	SC11A	REV: A	
.000	± 0.10	CHECKED BY:	VTA	SIZE: A4	UNIT:mm	SHEET:30F3	FCN: A4
ANGLE	± 3.00°	APPROVED BY:	QPF	PROJECTION		http://www.vitalconn.com	
MANUFACTURING COPY							