

### POWER MANAGEMENT

### PRELIMINARY

#### Description

The SC1205H is a cost effective, **High Drive Voltage**, Dual MOSFET Driver designed for switching High and Low side Power MOSFETs. Each driver is capable of Ultra-fast rise/fall times as well as a 20ns max propagation delay from input transition to the gate of the power FET's. An internal Overlap Protection circuit prevents shoot-through from Vin to GND in the main and synchronous MOSFETs. The Adaptive Overlap Protection circuit ensures the Bottom FET does not turn on until the Top FET source has reached a voltage low enough to prevent cross-conduction.

Higher gate voltage drive capability of 8V (top and bottom) optimally reduces Rds\_on of power MOSFETs without excessive driver and FET switching losses. The high current drive capability (5A peak) allows fast switching, thus reducing switching losses at high (up to 1MHz) frequencies without causing thermal stress on the driver.

The high voltage CMOS process allows operation from 5-18 Volts at top MOSFET drain, thus making SC1205H suitable for battery powered applications. Connecting Enable pin (EN) to logic low shuts down both drives and reduces operating current to less than 10µA.

An under-voltage-lock-out and overtemperature shut-down feature is included to guarantee proper and safe operation. The SC1205H is offered in a standard SO-8 package.

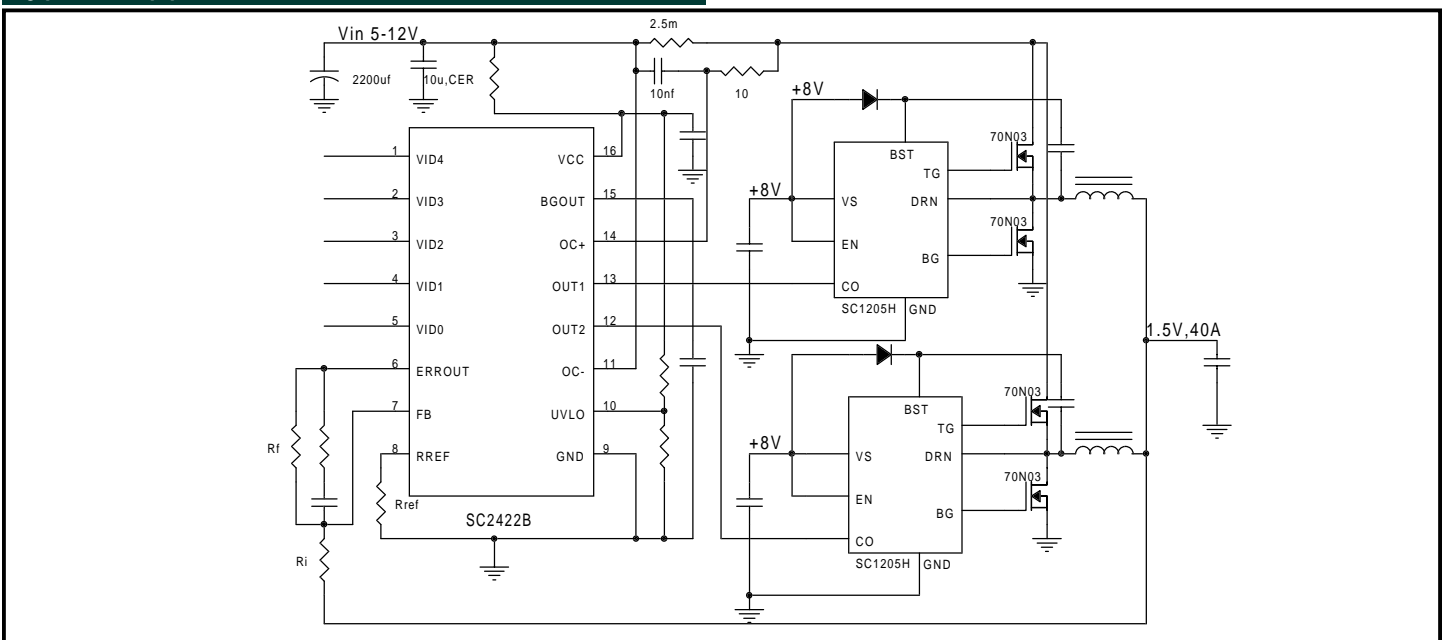
#### Features

- ◆ Higher efficiency (>90%)
- ◆ Fast rise and fall times (15ns typical with 3000pf load)
- ◆ **Higher gate drive voltage (8V) for optimum MOSFET RDS\_ON at minimum switching loss**
- ◆ Ultra-low (<20ns) propagation delay (BG going low)
- ◆ **5 Amp peak drive current**
- ◆ Adaptive non-overlapping gate drives provide shoot-through protection
- ◆ Floating top drive switches up to 18V
- ◆ Under-voltage lock-out
- ◆ Over-temperature shutdown
- ◆ Less than 10µA supply current when EN is low
- ◆ Low cost

#### Applications

- ◆ Intel Pentium™ power supplies
- ◆ AMD Athlon™ and K8™ power supplies
- ◆ High efficiency portable and notebook computers
- ◆ Battery powered applications
- ◆ High frequency (to 1.0 MHz) operation allows use of small inductors and low cost caps in place of electrolytics

#### Typical Application Circuit



**POWER MANAGEMENT**
**PRELIMINARY**
**Absolute Maximum Ratings**

Exceeding the specifications below may result in permanent damage to the device, or device malfunction. Operation outside of the parameters specified in the Electrical Characteristics section is not implied.

Parameter	Symbol	Conditions	Maximum	Units
V <sub>CC</sub> Supply Voltage	V <sub>IMAXSW</sub>		11	V
BST to PGND	VMAX <sub>BST-PGND</sub>		30	V
BST to DRN	VMAX <sub>BST-DRN</sub>		11	V
DRN to PGND	VMAX <sub>DRN-PGN</sub>		-2 to 25	V
DRN to PGND Pulse	VMAX <sub>PULSE</sub>	t <sub>PULSE</sub> < 100ns	-5 to 25	V
		t <sub>PULSE</sub> < 20ns	-10 to 25	
EN to PGND	VMAX <sub>OV P S-PGND</sub>		12	V
Input Pin	CO		-0.3 to 12	V
Continuous Power Dissipation	P <sub>D</sub>	T <sub>amb</sub> = 25°C, T <sub>J</sub> = 125°C T <sub>case</sub> = 25°C, T <sub>J</sub> = 125°C	0.66 2.56	W
Thermal Resistance Junction to Case	θ <sub>JC</sub>		40	°C/W
Thermal Resistance Junction to Ambient	θ <sub>JA</sub>		150	°C/W
Operating Temperature Range	T <sub>J</sub>		0 to +125	°C
Storage Temperature Range	T <sub>STG</sub>		-65 to +150	°C
Lead Temperature (Soldering) 10 Sec.	T <sub>LEAD</sub>		300	°C

Note:

(1) Specification refers to application circuit in Figure 1.

**Electrical Characteristics**

Unless specified: -0 < θ<sub>J</sub> < 125°C; V<sub>CC</sub> = 5V; 4V ≤ V<sub>BST</sub> ≤ 26V

Parameter	Symbol	Conditions	Min	Typ	Max	Units
<b>Power Supply</b>						
Supply Voltage	V <sub>CC</sub>	V <sub>CC</sub>	4.2	5	9.0	V
Quiescent Current, Operating	I <sub>q_op</sub>	V <sub>CC</sub> = 5V, C <sub>O</sub> = 0V		1		mA
Quiescent Current	I <sub>q_stby</sub>	EN = 0V			10	µA
<b>Under Voltage Lockout</b>						
Start Threshold	V <sub>START</sub>		4.2	4.4	4.75	V
Hysteresis	V <sub>hys_UVLO</sub>			0.05		V

**POWER MANAGEMENT**
**PRELIMINARY**
**Electrical Characteristics (Cont.)**

 Unless specified:  $-0 < \theta_J < 125^{\circ}\text{C}$ ;  $V_{CC} = 5\text{V}$ ;  $4\text{V} \leq V_{BST} \leq 26\text{V}$ 

Parameter	Symbol	Conditions	Min	Typ	Max	Units
<b>CO</b>						
High Level Input Voltage	$V_{IH}$		2.0			V
High Level Input Voltage	$V_{IH}$	$V_{CC} = 9\text{V}$	2.65			V
Low Level Input Voltage	$V_{IL}$				0.8	V
<b>EN</b>						
High Level Input Voltage	$V_{IH}$		2.0			V
High Level Input Voltage	$V_{IH}$	$V_{CC} = 9\text{V}$	2.2			V
Low Level Input Voltage	$V_{IL}$				0.8	V
<b>Thermal Shutdown</b>						
Over Temperature Trip Point	$T_{OTP}$			165		$^{\circ}\text{C}$
Hysteresis	$T_{HYST}$			10		$^{\circ}\text{C}$
<b>High Side Driver</b>						
Peak Output Current	$I_{PKH}$			3		A
Output Resistance	$R_{src_{TG}}$ $R_{sink_{TG}}$	duty cycle $< 2\%$ , $tpw < 100 \mu\text{s}$ , $T_J = 125^{\circ}\text{C}$ , $V_{BST} - V_{DRN} = 4.5\text{V}$ , $V_{TG} = 4.0\text{V (src)} + V_{DRN}$ or $V_{TG} = 0.05\text{V (sink)} + V_{DRN}$		1 .7		$\Omega$
<b>Low-Side Driver</b>						
Peak Output Current	$I_{PKL}$			3		A
Output Resistance	$R_{src_{BG}}$ $R_{sink_{BG}}$	duty cycle $< 2\%$ , $tpw < 100 \mu\text{s}$ , $T_A = 25^{\circ}\text{C}$ , $V_{VS} = 4.6\text{V}$ , $V_{BG} = 4\text{V (src)}$ , or $V_{LOWDR} = 0.5\text{V (sink)}$		1.2 1.0		$\Omega$

**AC Operating Specifications**

Parameter	Symbol	Conditions	Min	Typ	Max	Units
<b>High Side Driver</b>						
Rise Time	$tr_{TG1}$	$CI = 3\text{nF}$ , $V_{BST} - V_{DRN} = 8\text{V}$		14		ns
Fall Time	$tf_{TG}$	$CI = 3\text{nF}$ , $V_{BST} - V_{DRN} = 8\text{V}$		12		ns
Propagation Delay Time, TG Going High	$tpdh_{TG}$	$CI = 3\text{nF}$ , $V_{BST} - V_{DRN} = 8\text{V}$		20		ns
Propagation Delay Time, TG Going Low	$tpdl_{TG}$	$CI = 3\text{nF}$ , $V_{BST} - V_{DRN} = 8\text{V}$		15		ns

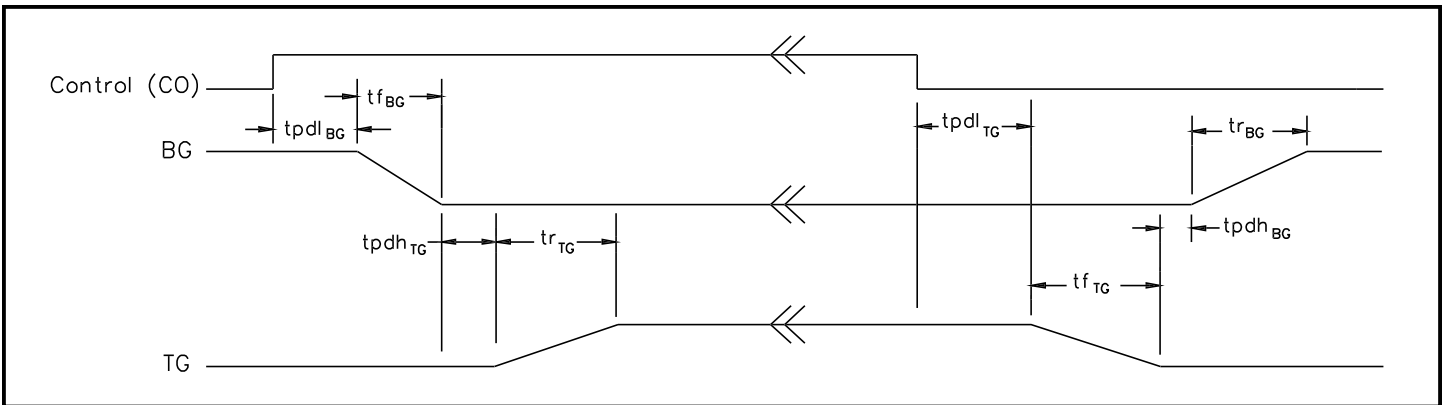
AC Operating Specifications (Cont.)

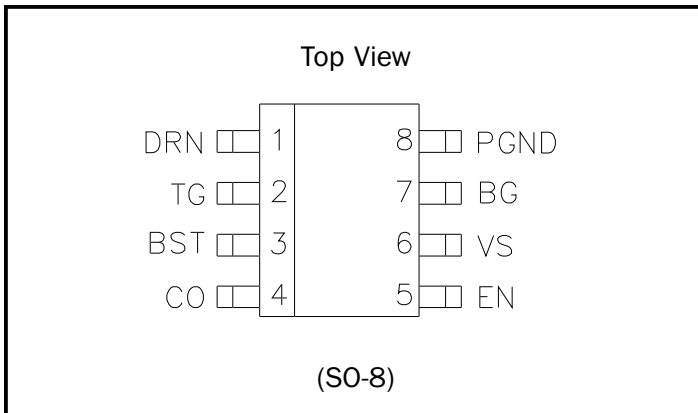
Parameter	Symbol	Conditions	Min	Typ	Max	Units
<b>Low-Side Driver</b>						
Rise Time	$t_{r_{BG}}$	$C_I = 3nF, V_{V_S} = 8V$		15		ns
Fall Time	$t_{f_{BG}}$	$C_I = 3nF, V_{V_S} = 8V$		13		ns
Propagation Delay Time BG Going High	$t_{pdh_{BGHI}}$	$C_I = 3nF, V_{V_S} = 8V$		12		ns
Propagation Delay Time BG Going Low	$t_{pdl_{BGHI}}$	$C_I = 3nF, V_{V_S} = 8V$		7		ns
<b>Under-Voltage Lockout</b>						
V_5 ramping up	$t_{pdh_{UVLO}}$	EN is High			10	$\mu s$
V_5 ramping down	$t_{pdl_{UVLO}}$	EN is High			10	$\mu s$

Note:

(1) This device is ESD sensitive. Use of standard ESD handling precautions is required.

Timing Diagrams



**Pin Configuration**

**Ordering Information**

Device <sup>(1)</sup>	Package	Temp Range (T <sub>j</sub> )
SC1205HSTR	SO-8	0° to 125°C

**Note:**

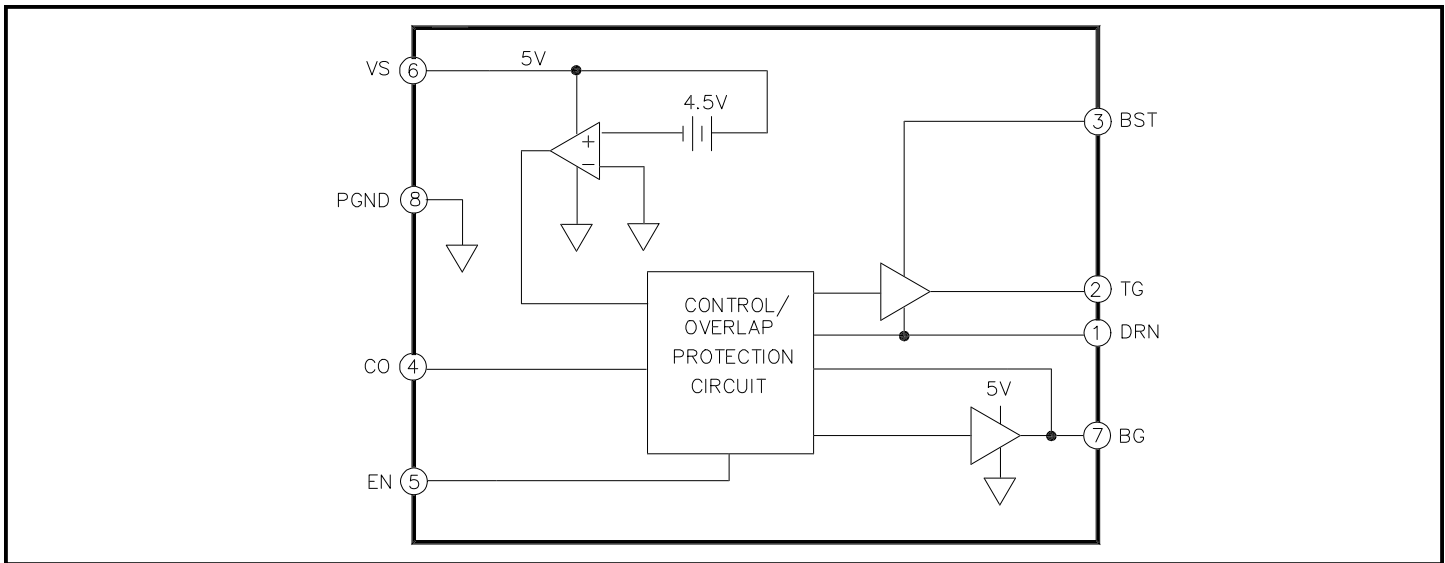
(1) Only available in tape and reel packaging. A reel contains 2500 devices.

**Pin Descriptions**

Pin #	Pin Name	Pin Function
1	DRN	This pin connects to the junction of the switching and synchronous MOSFETs . This pin can be subjected to a -2V minimum relative to PGND without effecting operation.
2	TG	Output gate drive for the switching (high-side) MOSFET.
3	BST	Bootstrap pin. A capacitor is connected between BST and DRN pins to develop the floating bootstrap voltage for the high-side MOSFET. The capacitor value is typically between 0.1μF and 1μF (ceramic).
4	CO	TTL-level input signal to the MOSFET drivers.
5	EN	When high, this pin enables the internal circuitry of the device. When low, TG and BG are forced low and the supply current (5V) is less than 10μA.
6	VS	5V-9.0V supply. A .22-1μF ceramic capacitor should be connected from 5V to PGND very close to this pin.
7	BG	Output drive for the synchronous (bottom) MOSFET.
8	PGND	Ground. Keep this pin close to the synchronous MOSFETs source.

**Note:**

(1) All logic level inputs and outputs are open collector TTL compatible.

**Block Diagram**

**Applications Information**
**Theory of Operation**

SC1205H is the higher gate drive voltage version of its predecessor, the SC1205. It is designed for optimum enhancement of Low Rds<sub>On</sub> power MOSFET's with ultra-low rise/fall times and propagation delays. Higher MOSFET enhancement has been made possible by optimally increasing the gate drive voltage while maintaining low switching losses at minimum RDS<sub>ON</sub>. The SC1205H is designed for a gate drive voltage of 8V, without compromising features that allow fast switching and low propagation delays.

**Fast Switching Drives**

As the switching frequency of PWM controllers is increased to reduce power supply volume and cost, fast rise and fall times are necessary to minimize switching losses (TOP MOSFET) and reduce dead-time (BOTTOM MOSFET) losses. While low Rds<sub>On</sub> MOSFET's present a power saving in I<sup>2</sup>R losses, the MOSFET's die area is larger and the effective input capacitance of the MOSFET is increased. Often a 50% decrease in Rds<sub>On</sub> doubles the effective input gate charge, which must be supplied by the driver. The Rds<sub>On</sub> power savings can be offset by the switching and dead-time losses with a suboptimum driver. While discrete solution can achieve reasonable drive capability, implementing shoot-through, programmable delay and other housekeeping functions necessary for safe operation can become cumbersome and

costly. The SC1205H presents a total solution for the high-speed, high power density applications. Wide input supply range of 4.5V-18V allows use in battery powered applications, new high voltage, distributed power servers.

**Shoot Through Protection**

The control input (CO) to the SC1205H is typically supplied by a PWM controller that regulates the power supply output. (See Application Evaluation Schematic, Figure 6). The timing diagram demonstrates the sequence of events by which the top and bottom drive signals are applied. The shoot-through protection is implemented by holding the bottom FET off until the voltage at the phase node (intersection of top FET source, the output inductor and the bottom FET drain) has dropped below 1V. This assures that the top FET has turned off and that a direct current path does not exist between the input supply and ground, a shoot-through condition during which both the top and bottom FET's could be on momentarily. The top FET is also prevented from turning on until the bottom FET is off. This time is internally set to 20ns (typical).

The EN (enable) pin may be used to turn both TG and BG drives off. This would allow lower power operation by reducing the quiescent current draw of the SC1205H to less than 10µA.

## Applications Information (Cont.)

**LAYOUT GUIDELINES**

As with any high speed , high current, switching regulator circuit, proper layout is critical in achieving optimum performance of the SC1205H. The Evaluation board schematic (Refer to figure 6) shows a two-phase synchronous design with all surface mountable components.

Tight placement and short, wide traces must be used in layout of The gate drives, DRN, and especially PGND pin. The top gate driver supply voltage is provided by bootstrapping the boost supply and adding it to the phase node (DRN) voltage. Since the bootstrap capacitor supplies the charge to the top gate, it must be less than .5" away from the SC1205H. Ceramic X7R capacitors are a good choice for supply bypassing near the chip.

**Supply Voltage**

The Vcc supply must be derived from a voltage that does not vary significantly with output load. This is especially true if the MOSFET drain voltage is a +5V supply bus and the Vcc of the SC1205H is connected to +5V. As the load increases, or during sudden load transients, the 5V supply dips significantly due to trace resistance and inductance. If the Vcc of the SC1205H is derived from the end of this +5V bus, the drop in the +5V can cause the Vcc to fall lower than the required under voltage lock-out threshold of the SC1205H and cause intermittent drive shutdown. To avoid this occurrence, connect the Vcc of the SC1205H to the beginning point of the +5V bus with a separate trace, directly to the input connector.

The Vcc pin bypass capacitor must also be less than .5" away from the SC1205H. The ground node of this capacitor, the SC1205H PGND pin and the Source of the bottom FET must be very close to each other, preferably with common PCB copper land with multiple vias to the ground plane (if used). The parallel Schottky (if used) must be physically next to the Bottom FET's drain and source pins. Any trace or lead inductance in these connections will drive current way from the Schottky and allow it to flow through the FET's Body diode, thus reducing efficiency.

**Preventing Inadvertent Bottom FET Turn-on**

At high input voltages, (12V and greater) a fast turn-on of the top FET creates a positive going spike on the Bottom FET's gate through the Miller capacitance, Crss of the bottom FET. The voltage appearing on the gate due to this spike is:

$$V_{\text{SPIKE}} = \frac{V_{\text{in}} * c_{\text{rss}}}{(C_{\text{rss}} + c_{\text{iss}})}$$

Where Ciss is the input gate capacitance of the bottom FET. This is assuming that the impedance of the drive path is too high compared to the instantaneous impedance of the capacitors. (since dV/dT and thus the effective frequency is very high). If the BG pin of the SC1205H is very close to the bottom FET, Vspike will be reduced depending on trace inductance, rate of rise of current, etc.

While not shown in Figure 6, a capacitor may be added from the gate of the Bottom FET to its source, preferably less than .5" away. This capacitor will be added to Ciss in the above equation to reduce the effective spike voltage.

The bottom MOSFET must be selected with attention paid to the Crss/Ciss ratio. A low ratio reduces the Miller feedback and thus reduces Vspike. Also MOSFETs with higher Turn-on threshold voltages will conduct at a higher voltage and will not turn on during the spike. The MOSFET shown in the schematic (Figure 6) has a 2 volt threshold and will require approximately 4.5 volts Vgs to be conducting, thus reducing the possibility of shoot-through. A zero ohm bottom FET gate resistor will obviously help keeping the gate voltage low during off time.

Ultimately, slowing down the top FET by adding gate resistance will reduce di/dt which will in turn make the effective impedance of the capacitors higher, thus allowing the BG driver to hold the bottom gate voltage low. It does this at the expense of increased switching times (and switching losses) for the top FET.

**Applications Information (Cont.)**

The top MOSFET source must be close to the bottom MOSFET drain to prevent ringing and the possibility of the phase node going negative. This frequency is determined by:

$$F_{ring} = \frac{1}{(2\pi * \text{Sqrt} (L_{st} * C_{oss}))}$$

-Where:

$L_{st}$  = The effective stray inductance of the top FET added to trace inductance of the connection between top FET's source and the bottom FET's drain added to the trace resistance of the bottom FET's ground connection.

$C_{oss}$  = Drain to source capacitance of bottom FET. If there is a Schottky used, the capacitance of the Schottky is added to this value.

Although this ringing does not pose any power losses due to a fairly high Q, it could cause the phase node to go too far negative, thus causing improper operation, double pulsing or at worst driver damage. On the SC1205H, the drain node, DRN, can go as far as 2V below ground without affecting operation or sustaining damage.

The ringing is also an EMI nuisance due to its high resonant frequency. Adding a capacitor, typically 1000-2000pf, in parallel with  $C_{oss}$  of the bottom FET can often eliminate the EMI issue.

**Prevent Driver Overvoltage**

The negative voltage spikes on the phase node adds to the bootstrap capacitor voltage, thus increasing the voltage between VBST - VDRN. *This is of special importance if higher boost voltages are used.* If the phase node negative spikes are too large, the voltage on the boost capacitor could exceed device's absolute maximum rating of 12V. To eliminate the effect of the ringing on the boost capacitor voltage, place a 4.7 - 10 Ohm resistor between boost Schottky diode and Vcc to filter the negative spikes on DRN Pin. Alternately, a Silicon diode, such as the commonly available 1N4148 can substitute for the Schottky diode and eliminate the need for the series resistor.

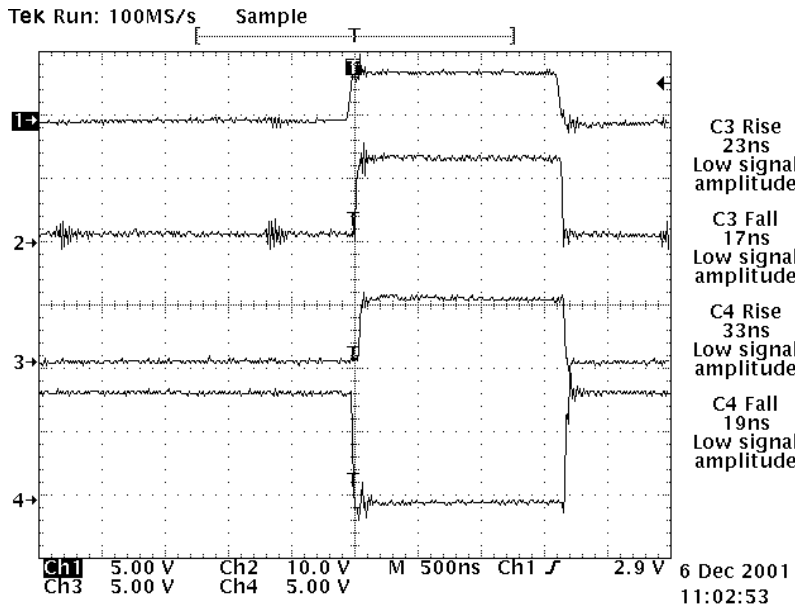
Proper layout will guarantee minimum ringing and eliminate the need for external components. Use of SO-8 or other surface mount MOSFETs while increasing thermal resistance, will reduce lead inductance as well as radiated EMI.

**Over Temperature Shutdown**

The SC1205H will shutdown by pulling both driver if its junction temperature,  $T_j$ , exceeds 165°C.

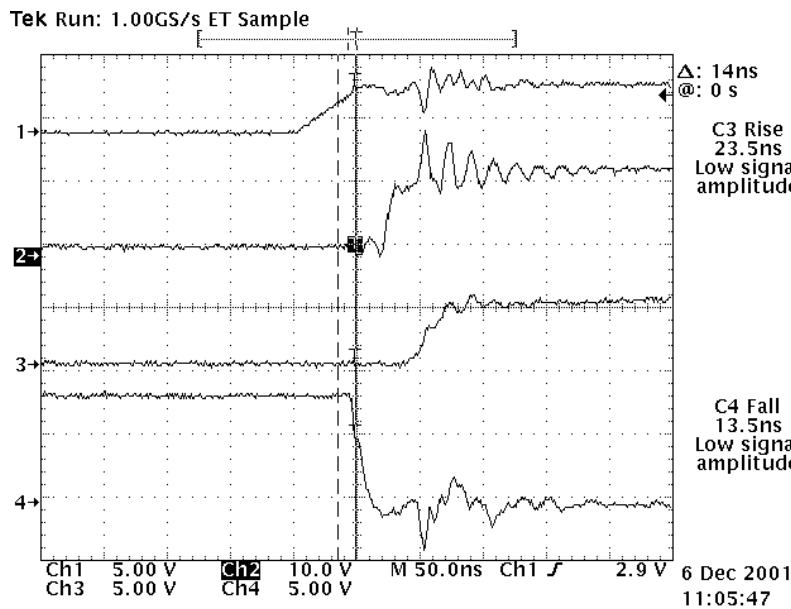


Figure 1: Rise and fall time and propagation delay of SC1205H



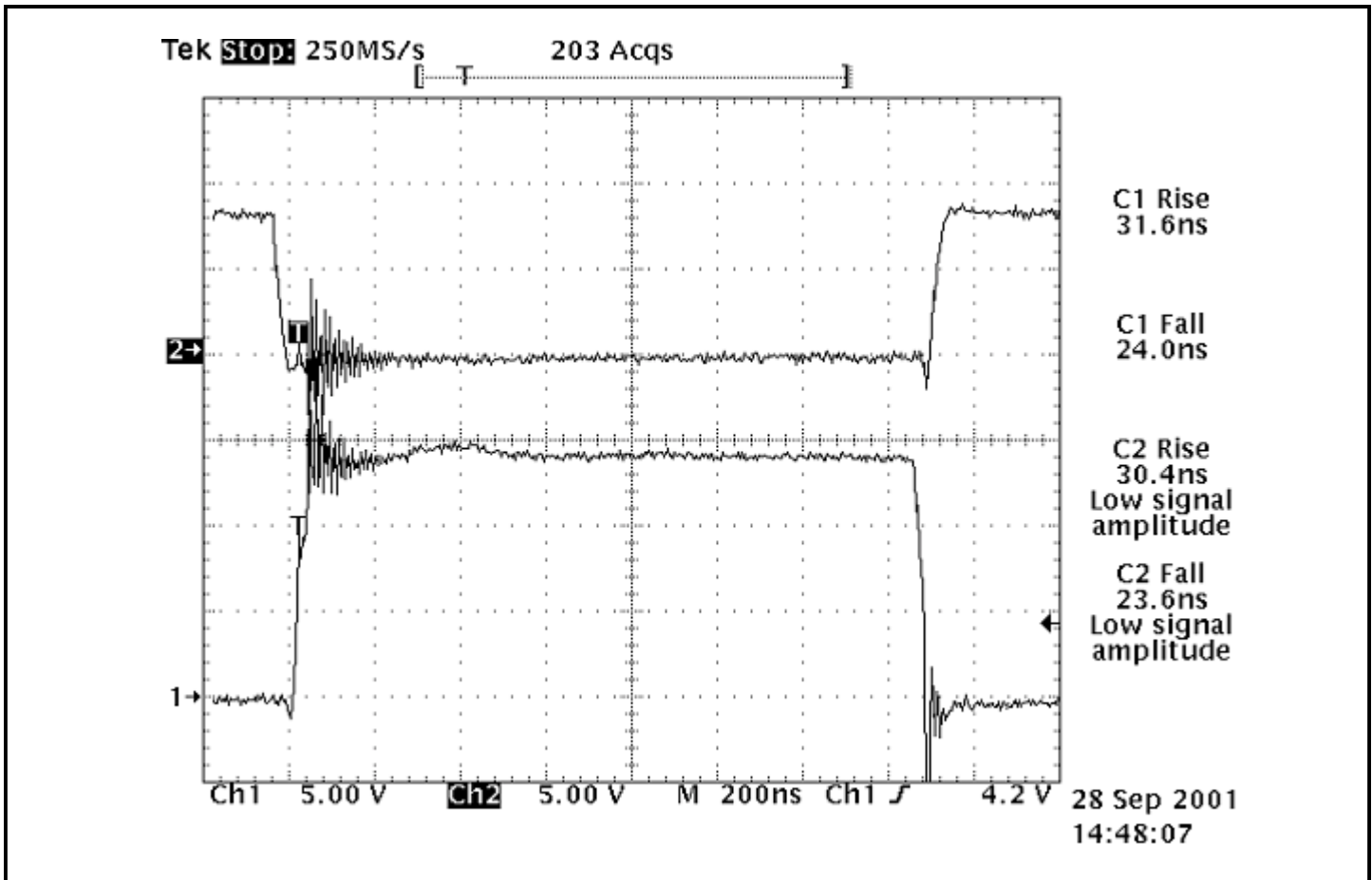
SC1205H Rise Time and Fall Time  
 Vin = 5V  
 Vcc/Vbst = 8V  
 I out = 20A  
 Chan. 1 = CO pin  
 Chan. 2 = Top gate  
 Chan. 3 = Phase node  
 Chan. 4 = Bottom gate  
 See Schematic, Figure 6

Figure 2: Rise and fall time and propagation delay of SC1205H



SC1205H Rise Time and Fall Time  
 Vin = 5V  
 Vcc/Vbst = 8V  
 I out = 20A  
 Chan. 1 = CO pin  
 Chan. 2 = Top gate  
 Chan. 3 = Phase node  
 Chan. 4 = Bottom gate, Propagation delay between CO pin and Bottom Gate = 14ns  
 See Schematic, Figure 6

Figure 3: Rise and fall time and propagation delay of SC1205H, driving two top and two bottom FETs, All FETS , FDB7030BL



Rise and fall time of gate drives of the SC1205H with **VCC = VBST = +8V**.

Ch1:Top gate drive, Ch2:Bottom Gate drive

Note that these rise and fall times are achieved while driving 2X FDB7030BL MOSFETs on top and 2X FDB7030BL on the bottom (synchronous).

Vin = 5V

Vcc = Vbst = 8V

Iout = 20A/phase

All gate drive resistors are set to zero for this test.

Figure 4: SC1205H driving a 3nF capacitive load.  $V_{CC} = V_{BOOST} = 8V$ .

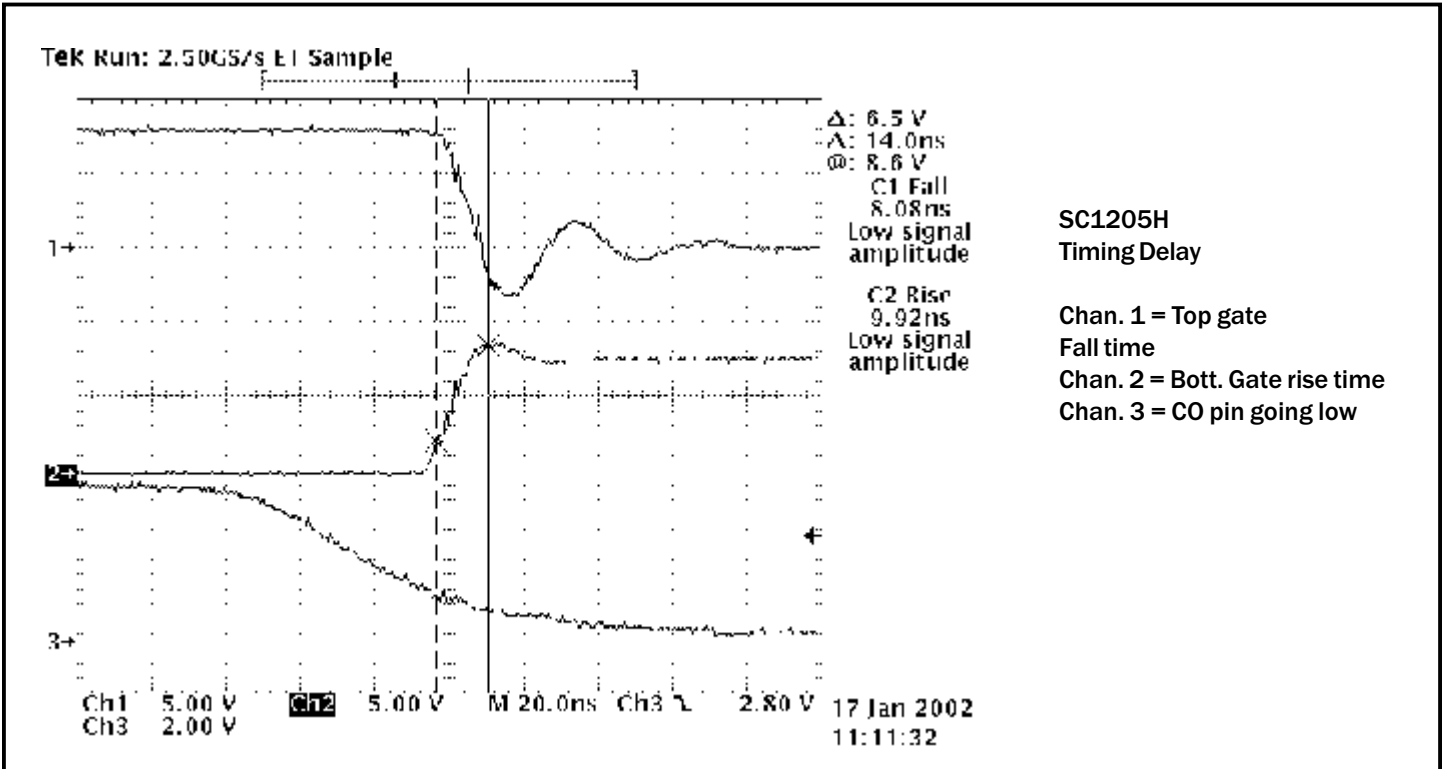
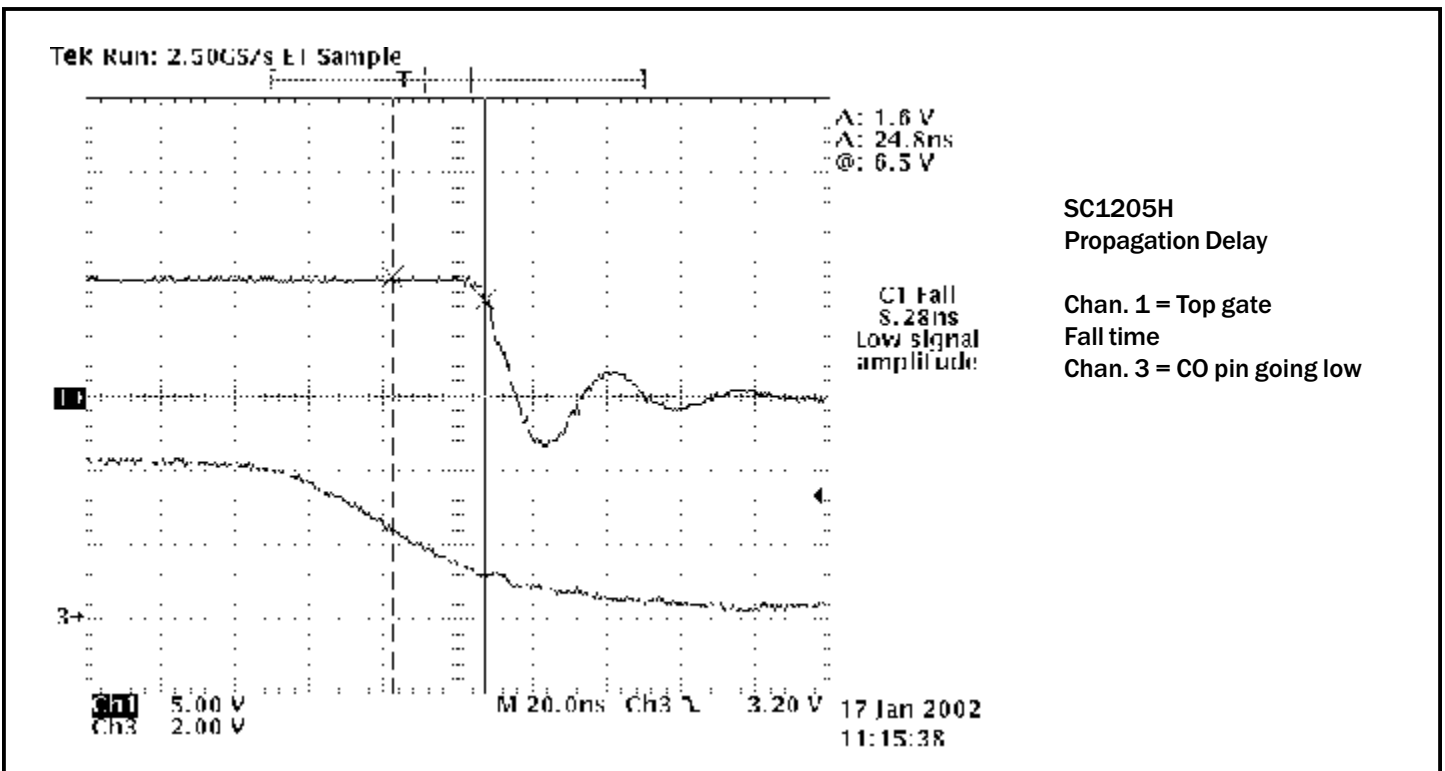
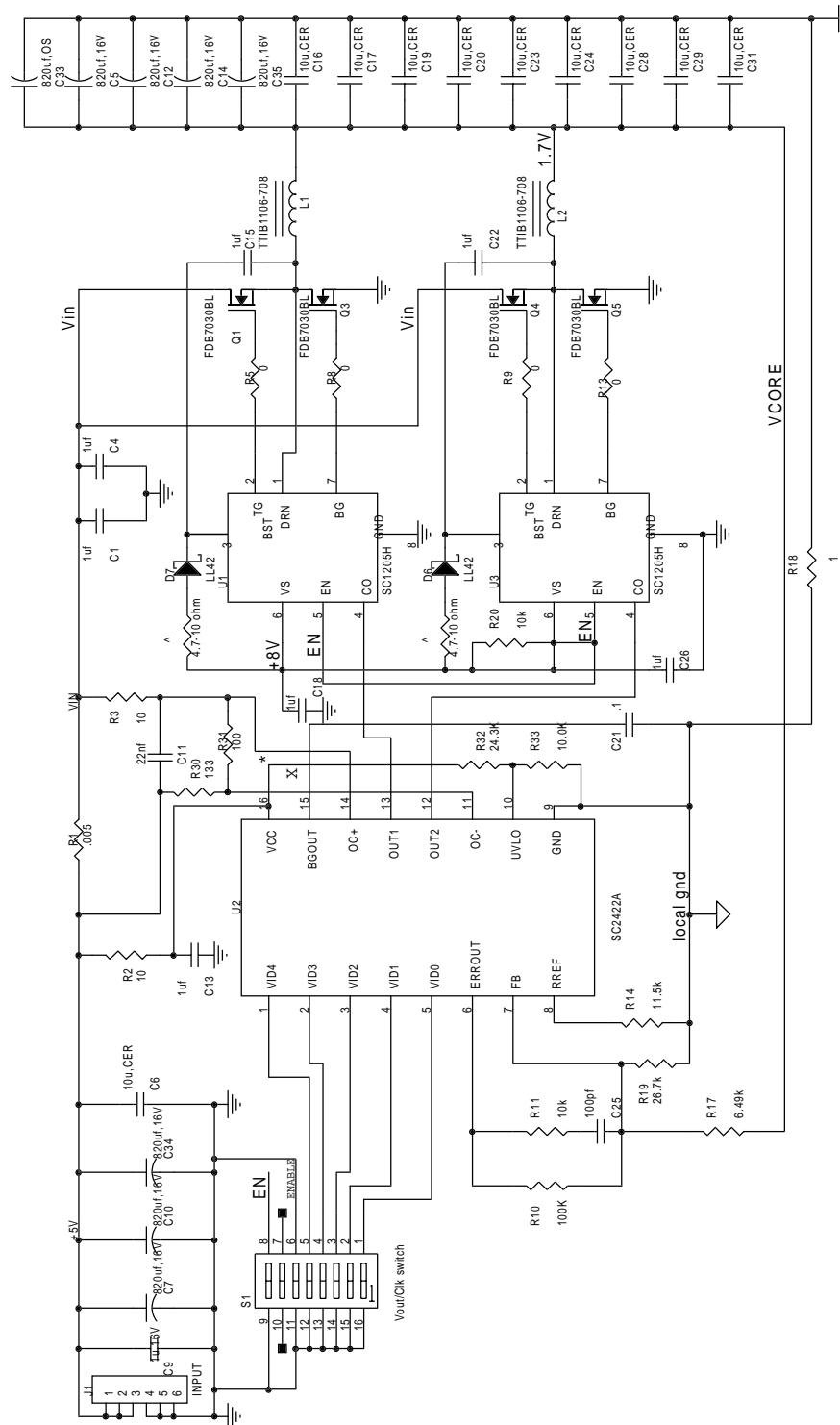


Figure 5: SC1205H driving a 3nF capacitive load.  $V_{CC} = V_{BOOST} = 8V$ .



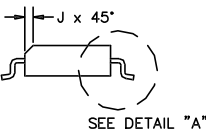
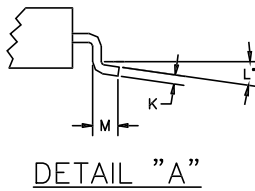
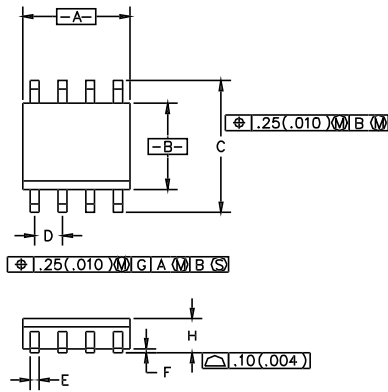
Evaluation Board Schematic - SC1205H

Figure 6: Microprocessor Core Supply



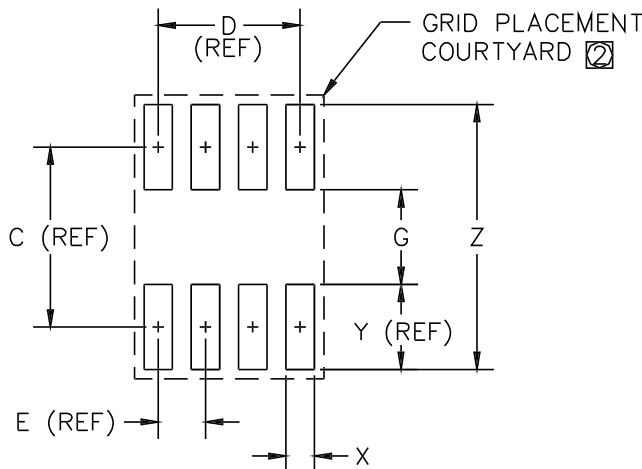
^ Install resistor to limit voltage rise on boost capacitor due to large phase node negative spikes.

Outline Drawing - S0-8



DIM <sup>N</sup>	INCHES		MM		NOTE
	MIN	MAX	MIN	MAX	
A	.188	.197	4.80	5.00	
B	.149	.158	3.80	4.00	
C	.228	.244	5.80	6.20	
D	.050	BSC	1.27	BSC	
E	.013	.020	0.33	0.51	
F	.004	.010	0.10	0.25	
H	.053	.069	1.35	1.75	
J	.011	.019	0.28	0.48	
K	.007	.010	.19	.25	
L	0°	8°	0°	8°	
M	.016	.050	0.40	1.27	

Land Pattern - S0-8



DIM <sup>N</sup>	INCHES		MM		NOTE
	MIN	MAX	MIN	MAX	
C	-	.19	-	5.00	-
D	-	.15	-	3.81	-
E	-	.05	-	1.27	-
G	.10	.11	2.60	2.80	-
X	.02	.03	.60	.80	-
Y	-	.09	-	2.40	-
Z	-	.29	7.20	7.40	-

② GRID PLACEMENT COURTYARD IS 12x16 ELEMENTS (6 mm X 8mm) IN ACCORDANCE WITH THE INTERNATIONAL GRID DETAILED IN IEC PUBLICATION 97.

① CONTROLLING DIMENSION: MILLIMETERS

Contact Information

Semtech Corporation  
 Power Management Products Division  
 200 Flynn Road, Camarillo, CA 93012  
 Phone: (805)498-2111 FAX (805)498-3804